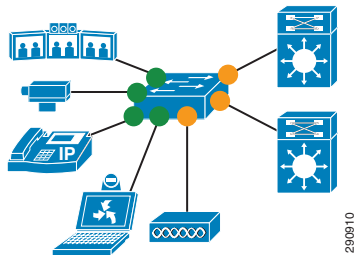


Role in Medianet Campus Network

The Cisco Catalyst 3560-X & 3750-X series switches are well suited to the role of access switches in medianet campus networks. As such, these switches may connect directly to a variety of endpoints, as well as to distribution-layer switches, as shown in Figure 1.

Figure 1 Cisco Catalyst 3560-X/3750-X Switches in a Medianet Campus Network



QoS Design Steps

There are four main steps to configure QoS on Cisco Catalyst 3560-X and 3750-X series switches:

1. Enable QoS
2. Configure Ingress QoS Model(s):
 - Trust DSCP Model
 - Conditional Trust Model
 - Service Policy Models
3. Configure Ingress Queuing
4. Configure Egress Queuing

Step 1: Globally Enable QoS

QoS is globally enabled on the Cisco Catalyst 3560-X and 3750-X with the **mls qos** command.

Step 2: Configure Ingress QoS Model(s)

The three most utilized ingress QoS models for medianet campus networks are:

- Trust DSCP Model
- Conditional Trust Model
- Service Policy Models

Combinations of these ingress QoS models may be used at the same time.

Trust DSCP Model

This model is configured with the **mls qos trust dscp** interface-configuration command.

The Trust DSCP model configures the interface to statically accept and preserve the Layer 3 DSCP markings of all incoming packets. This model is suitable for interfaces connecting to endpoints that can mark DSCP values and are administratively controlled (such as WLAN controllers) as well as for any uplinks to distribution layer switches. Switch ports that can be set to trust DSCP are shown as yellow circles in Figure 1.

Conditional Trust Model

This model is configured with the **mls qos trust device** interface-configuration command.

The Conditional Trust model configures the interface to **dynamically** accept markings from endpoints that have met a specific condition (currently based on a successful Cisco Discovery Protocol identification). This model is suitable for switch ports connecting to Cisco IP phones (with the **cisco-phone** option), Cisco TelePresence Systems (with the **cts** option), Cisco IP Video Surveillance cameras (with the **ip-camera** option), and Cisco Digital Media Players (with the **media-player** option). This model is also suitable for PCs and untrusted devices, since the ports connecting to such devices will remain in their default untrusted state. Switch ports that can be set to conditional trust are shown as green circles in Figure 1.

Service Policy Models

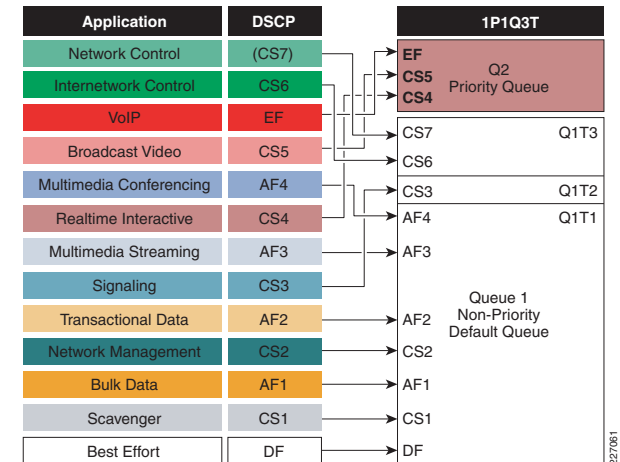
There may be cases where administrators require more detailed or granular policies on their ingress edges and as such they may construct MQC-based policies to implement classification, marking, and/or policing policies. These policies are constructed with:

- class-maps which identify the flows using packet markings or by access-lists or other criteria
- policy-maps which specify policy actions to be taken on a class-by-class basis
- service-policy statements which apply a specific policy-map to an interface(s) and specify direction

Step 3: Configure Ingress Queuing

The medianet ingress queuing model for the Cisco Catalyst 3560-X/3750X is shown in Figure 2.

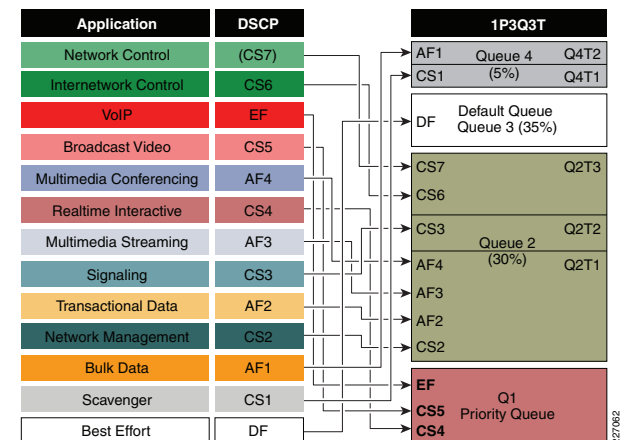
Figure 2 Catalyst 3560-X/3750-X Ingress Queuing Model



Step 4: Configure Egress Queuing

The medianet egress queuing model for the Cisco Catalyst 3560-X/3750X is shown in Figure 3.

Figure 3 Catalyst 3560-X/3750-X Egress Queuing Model



EtherChannel QoS

QoS policies on the Cisco Catalyst 3560-X/3750-X are configured on the *physical port-member interfaces only* (and not on the logical Port-Channel interface).

Cisco Validated Design

The Cisco Validated Design for Cisco Catalyst 3650-X and 3750-X series switches in the role of an access switch in a medianet campus network is presented below.

Step 1: Enable QoS:

```
mls qos
```

Step 2: Configure Ingress QoS Model :

Trust DSCP Model :

```
mls qos trust dscp
```

Conditional Trust Model :

```
mls qos trust device cisco-phone or
mls qos trust device cts or
mls qos trust device ip-camera or
mls qos trust device media-player
```

Service Policy Models :

```
[class-maps omitted for brevity]
```

policy-map MARKING-POLICY

```
class VOIP
  set dscp ef
class MULTIMEDIA-CONFERENCING
  set dscp af41
class SIGNALING
  set dscp cs3
class TRANSACTIONAL-DATA
  set dscp af21
class BULK-DATA
  set dscp af11
class SCAVENGER
  set dscp cs1
class DEFAULT
  set dscp default
```

```
service-policy input MARKING-POLICY
```

Note : The Service-Policy Model can be expanded to include policing.

Step 3: Configure Ingress Queuing

```
mls qos srr-queue input priority-queue 2 bandwidth 30
mls qos srr-queue input bandwidth 70 30
mls qos srr-queue input buffers 90 10
mls qos srr-queue input threshold 1 80 90
mls qos srr-queue input cos-map queue 1 threshold 1 0 1 2
mls qos srr-queue input cos-map queue 1 threshold 2 3
mls qos srr-queue input cos-map queue 1 threshold 3 6 7
mls qos srr-queue input cos-map queue 2 threshold 1 4 5
mls qos srr-queue input dscp-map queue 1 threshold 1 0 8 10 12 14
mls qos srr-queue input dscp-map queue 1 threshold 1 16 18 20 22
mls qos srr-queue input dscp-map queue 1 threshold 1 26 28 30 34 36 38
mls qos srr-queue input dscp-map queue 1 threshold 2 24
mls qos srr-queue input dscp-map queue 1 threshold 3 48 56
mls qos srr-queue input dscp-map queue 2 threshold 3 32 40 46
```

Ingress Queue and Threshold Tuning

Ingress CoS-to-Queue Mapping

Ingress DSCP-to-Queue Mapping

Step 4: Configure Egress Queuing

```
mls qos queue-set output 1 buffers 15 30 35 20
mls qos queue-set output 1 threshold 1 100 100 100 100
mls qos queue-set output 1 threshold 2 80 90 100 400
mls qos queue-set output 1 threshold 3 100 100 100 400
mls qos queue-set output 1 threshold 4 60 100 100 400
mls qos srr-queue output cos-map queue 1 threshold 3 4 5
mls qos srr-queue output cos-map queue 2 threshold 1 2
mls qos srr-queue output cos-map queue 2 threshold 2 3
mls qos srr-queue output cos-map queue 2 threshold 3 6 7
mls qos srr-queue output cos-map queue 3 threshold 3 0
mls qos srr-queue output cos-map queue 4 threshold 3 1
mls qos srr-queue output dscp-map queue 1 threshold 3 32 40 46
mls qos srr-queue output dscp-map queue 2 threshold 1 16 18 20 22
mls qos srr-queue output dscp-map queue 2 threshold 1 26 28 30 34 36 38
mls qos srr-queue output dscp-map queue 2 threshold 2 24
mls qos srr-queue output dscp-map queue 2 threshold 3 48 56
mls qos srr-queue output dscp-map queue 3 threshold 3 0
mls qos srr-queue output dscp-map queue 4 threshold 1 8
mls qos srr-queue output dscp-map queue 4 threshold 2 10 12 14
```

Egress Queue and Threshold Tuning

Egress CoS-to-Queue Mapping

Egress DSCP-to-Queue Mapping

```
queue-set 1
srr-queue bandwidth share 1 30 35 5
priority-queue out
```

Egress Queuing Interface-Specific Commands

290911

Note: Highlighted commands are interface specific; otherwise these are global.

For more details, see Medianet Campus QoS Design 4.0: http://www.cisco.com/en/US/docs/solutions/Enterprise/WAN_and_MAN/QoS_SRND_40/QoS_Campus_40.html.