



Avaya Definity G3si MV1.3 using E1 QSIG to Cisco Unified CallManager 4.0

November 15, 2007 Revision 2

Table of Contents

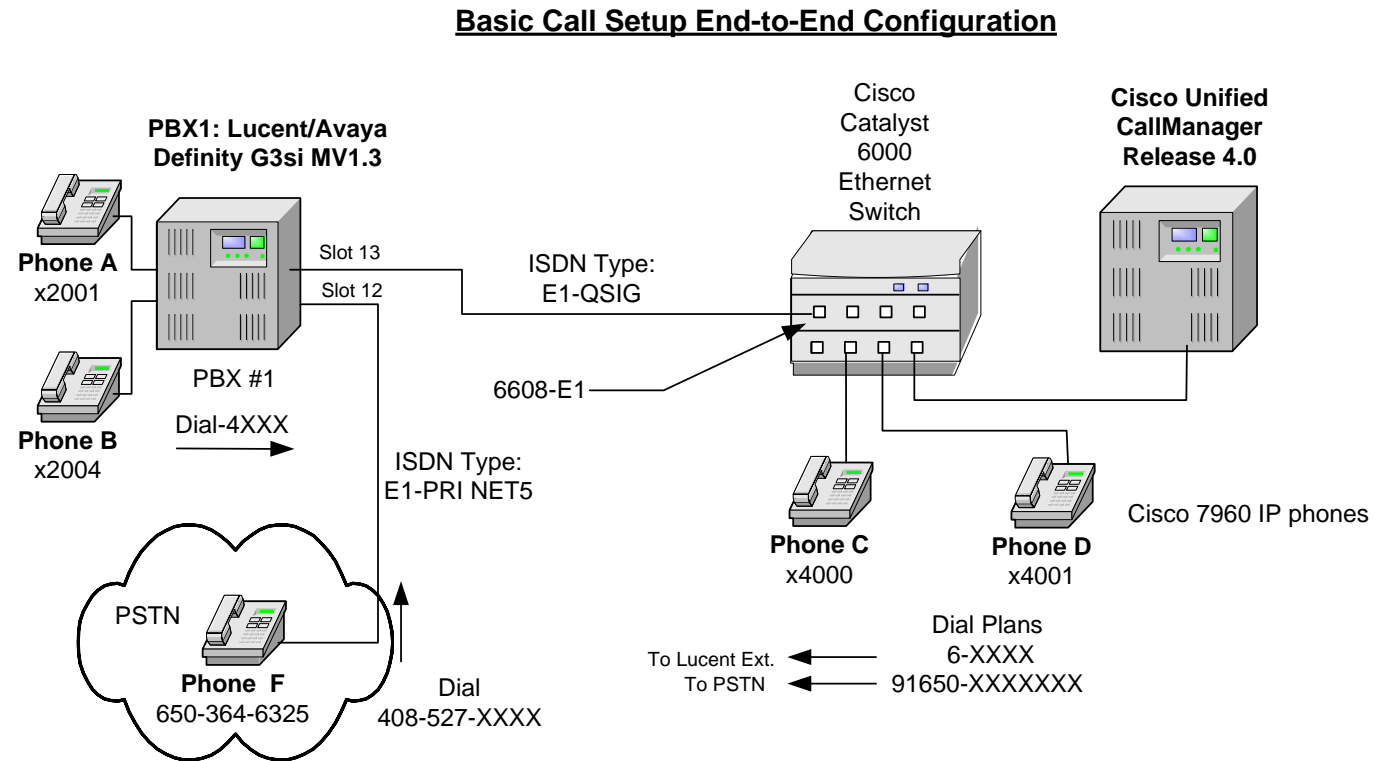
Introduction	1
Network Topology.....	2
Limitations.....	2
System Components	2
Hardware Requirements	2
Software Requirements	2
Features	3
Features Supported.....	3
Features Not Supported	3
Configuration.....	3
Configuring the Avaya Definity G3si MV1.3 PBX.....	3
Configuring the Cisco Unified CallManager.....	23
Acronyms	34

Introduction

- This is an application note for connectivity of Avaya Definity G3si MV1.3 PBX with Cisco Unified CallManager (CUCM) Rel 4.0 using Cisco 6608-E1 QSIG as MGCP gateway.
- The network topology diagram (Figure 1) shows the test setup for end-to-end interoperability with the Cisco Unified CallManager connected to the PBX via 6608-E1 QSIG link as MGCP gateway.
- Connectivity is achieved by using the PRI ISO QSIG E1 protocol type on the MGCP gateway and QSIG protocol (with option “b” for Supplementary Service Protocol) on the Avaya PBX.
- Basic calls worked fine in both directions with Calling/Connected Name and Calling/Connected Number features support.

Network Topology

Figure 1. Network Topology



Limitations

Calling Name and Number Features

- CUCM Release 4.0 (Parche release) does not support sending Alerting Name or Busy Name Identification information.

System Components

Hardware Requirements

- Cisco Hardware:
 - Cisco Catalyst 6000 switch with 6608-E1 gateway
 - Cisco Unified CallManager 4.0
- Avaya Definity G3si MV1.3 PBX Hardware:
 - TN464F, DS1 INTFC 24/32

Software Requirements

- PBX Software MV1.3
- Cisco Unified CallManager 4.0
- Cisco WS-X6608-E1 gateway Version 7.6(2)



Features

Features Supported

- Calling Name Identification Presentation
- Calling Number Identification Presentation
- Connected Name Identification Presentation
- Connected Number Identification Presentation

Features Not Supported

- Sending Alerting Name Identification
- Sending Busy Name Identification

Configuration

Configuring the Avaya Definity G3si MV1.3 PBX

Configure in the following sequence:

1. Add the new circuit pack.
2. Add the new signaling group.
3. Add the new trunk group.
4. Add Uniform Dialing Plan.



Configuration Menus and Commands

DS1 Circuit Pack

change ds1 a13

send (return) help (f5) cancel (esc) enter (f3) schedule (f9) next (f7) previous (f8)

1

DS1 CIRCUIT PACK

Location: 01A13 Name: U11 to U9
Bit Rate: 2.048 Line Coding: hdb3

Signaling Mode: isdn-pri
Connect: pbx Interface: peer-slave
TN-C7 Long Timers? n Peer Protocol: Q-SIG
Interworking Message: PROGRESS Side: b
Interface Companding: alaw CRC? y
Idle Code: 11111111 Channel Numbering: sequential
DCP/Analog Bearer Capability: 3.1kHz

Slip Detection? n Near-end CSU Type: other

Right-click in a field to see a list of valid entries or help text

Ready NUM



Signaling Group

File Edit View System Action Tools Window Help

change signaling-group 13 send (return) help (f5) cancel (esc) enter (f3) schedule (f9) next (f7) previous (f8)

1

SIGNALING GROUP

Group Number: 13	Group Type: isdn-pri	Max number of NCA TSC: 5
Associated Signaling? 0	Primary D-Channel: 01A1316	Max number of CA TSC: 23
Trunk Group for Channel Selection: 13	Supplementary Service Protocol: b	Trunk Group for NCA TSC: 13
		X-Mobility/Wireless Type: NONE

Right-click in a field to see a list of valid entries or help text

Ready

NUM



Trunk Group

File Edit View System Action Tools Window Help

change trunk-group 13 send (return) help (f5) cancel (esc) enter (f3) schedule (f9) next (f7) previous (f8)

1 2 3 4 5 6 7 8 9 10

TRUNK GROUP

Group Number: 13 Group Type: isdn CDR Reports: y
Group Name: QSIG TIE to U9 COR: 1 TN: 1 TAC: 613
Direction: two-way Outgoing Display? y Carrier Medium: PRI/BRI
Dial Access? y Busy Threshold: 99 Night Service:
Queue Length: 0
Service Type: tie Auth Code? n TestCall ITC: rest
Far End Test Line No:
TestCall BCC: 4

TRUNK PARAMETERS

Codeset to Send Display: 0 Codeset to Send National IEs: 6
Max Message Size to Send: 260 Charge Advice: during-on-request
Supplementary Service Protocol: b Digit Handling (in/out): enbloc/enbloc

Trunk Hunt: ascend QSIG Value-Added? y
Digital Loss Group: 13
Calling Number - Delete: Insert: Numbering Format: lev0-put
Bit Rate: 1200 Synchronization: async Duplex: full
Disconnect Supervision - In? y Out? y
Answer Supervision Timeout: 0

Right-click in a field to see a list of valid entries or help text

Ready NUM



File Edit View System Action Tools Window Help

multivantage

change trunk-group 13 send (return) help (f5) cancel (esc) enter (f3) schedule (f9) next (f7) previous (f8)

1 2 3 4 5 6 7 8 9 10

TRUNK FEATURES

ACA Assignment? Measured: Wideband Support? n
Internal Alert? n Internal Alert? n Maintenance Tests? y
Data Restriction? n NCA-TSC Trunk Member:
Send Name: y Send Calling Number: y
Used for DCS? n Hop Dgt? y
Suppress # Outpulsing? n Numbering Format:
Outgoing Channel ID Encoding: UUI IE Treatment:
Charge Conversion:
Decimal Point: Replace Restricted Numbers? y
Currency Symbol: Replace Unavailable Numbers? n
Charge Type: Send Called/Busy/Connected Number: y
Send UUI IE? n
Send UCID? n
Send Codeset 6/7 LAI IE? y Ds1 Echo Cancellation? n
Path Replacement with Retention? n
Path Replacement Method:
SBS? n Network (Japan) Needs Connect Before Disconnect? n

Right-click in a field to see a list of valid entries or help text

Ready



File Edit View System Action Tools Window Help

change trunk-group 13 send (return) help (f5) cancel (esc) enter (f3) schedule (f9) next (f7) previous (f8)

1 2 3 4 5 6 7 8 9 10

TRUNK GROUP
Administered Members (min/max): 1/30
Total Administered Members: 30

GROUP MEMBER ASSIGNMENTS

	Port	Code	Sfx	Name	Night	Sig Grp
1:	01A1301	TN464	F			13
2:	01A1302	TN464	F			13
3:	01A1303	TN464	F			13
4:	01A1304	TN464	F			13
5:	01A1305	TN464	F			13
6:	01A1306	TN464	F			13
7:	01A1307	TN464	F			13
8:	01A1308	TN464	F			13
9:	01A1309	TN464	F			13
10:	01A1310	TN464	F			13
11:	01A1311	TN464	F			13
12:	01A1312	TN464	F			13
13:	01A1313	TN464	F			13
14:	01A1314	TN464	F			13
15:	01A1315	TN464	F			13

Right-click in a field to see a list of valid entries or help text

Ready NUM



File Edit View System Action Tools Window Help

change trunk-group 13 send (return) help (f5) cancel (esc) enter (f3) schedule (f9) next (f7) previous (f8)

1 2 3 4 5 6 7 8 9 10

TRUNK GROUP
Administered Members (min/max): 1/30
GROUP MEMBER ASSIGNMENTS
Total Administered Members: 30

Port	Code	Sfx	Name	Night	Sig Grp
16:	01A1317	TN464	F		13
17:	01A1318	TN464	F		13
18:	01A1319	TN464	F		13
19:	01A1320	TN464	F		13
20:	01A1321	TN464	F		13
21:	01A1322	TN464	F		13
22:	01A1323	TN464	F		13
23:	01A1324	TN464	F		13
24:	01A1325	TN464	F		13
25:	01A1326	TN464	F		13
26:	01A1327	TN464	F		13
27:	01A1328	TN464	F		13
28:	01A1329	TN464	F		13
29:	01A1330	TN464	F		13
30:	01A1331	TN464	F		13

Right-click in a field to see a list of valid entries or help text

Ready NUM



File Edit View System Action Tools Window Help

multivantage

change aar analysis 1 send (return) help (f5) cancel (esc) enter (f3) schedule (f9) next (f7) previous (f8)

1 2

AAR DIGIT ANALYSIS TABLE

Percent Full: 7

Dialed String	Total		Route Pattern	Call Type	Node Num	ANI Reqd
	Min	Max				
111	7	7	111	aar		n
2	7	7	254	aar		n
214	4	10	12	aar		n
223	7	7	12	aar		n
3	7	7	254	aar		n
310	7	7	15	aar		n
333	7	7	14	aar		n
444	7	7	104	lev0	2	n
5	7	7	254	aar		n
555	7	7	105	lev0	3	n
6	7	7	254	aar		n
608	7	7	8	aar		n
609	7	7	9	aar		n
611	7	7	11	aar		n
612	7	7	13	aar		n

Right-click in a field to see a list of valid entries or help text

Ready NUM



File Edit View System Action Tools Window Help

change route-pattern 104 send (return) help (f5) cancel (esc) enter (f3) schedule (f9) next (f7) previous (f8)

1

Pattern Number: 104 Pattern Name:

Grp No	FRL	NPA	Pfx Mrk	Hop Lmt	Toll List	No. Del	Inserted Dgts	DCS/ IXC QSIG Intw
1:	13	0		6		3	<input type="text"/>	n user
2:	14	0		6		3	<input type="text"/>	n user
3:							<input type="text"/>	n user
4:							<input type="text"/>	n user
5:							<input type="text"/>	n user
6:							<input type="text"/>	n user

1:	BCC VALUE					TSC	CA-TSC Request	ITC	BCIE	Service/Feature	BAND	No. Dgts	Numbering Format	LAR Subaddress
	0	1	2	3	4									
1:	y	y	y	y	y	n	y	as-needed	bothept	<input type="text"/>			lev0-pvt	none
2:	y	y	y	y	y	n	y	as-needed	bothept	<input type="text"/>			lev0-pvt	none
3:	y	y	y	y	y	n	n		rest	<input type="text"/>				none
4:	y	y	y	y	y	n	n		rest	<input type="text"/>				none
5:	y	y	y	y	y	n	n		rest	<input type="text"/>				none
6:	y	y	y	y	y	n	n		rest	<input type="text"/>				none

Right-click in a field to see a list of valid entries or help text

Ready NUM



PSTN DS1 Circuit Pack Configuration

File Edit View System Action Tools Window Help

multivantage

change ds1 a12 send (return) help (f5) cancel (esc) enter (f3) schedule (f9) next (f7) previous (f8)

1

DS1 CIRCUIT PACK

Location: 01A12 Name: E1 PRI
Bit Rate: 2.048 Line Coding: hdb3

Signaling Mode: isdn-pri
Connect: network
TN-C7 Long Timers? n Country Protocol: etsi
Interworking Message: PROGRESS Protocol Version: a
Interface Companding: alaw CRC? y
Idle Code: 11111111 DCP/Analog Bearer Capability: 3.1kHz

Slip Detection? y Near-end CSU Type: other

Right-click in a field to see a list of valid entries or help text

Ready NUM



PSTN Signaling Group

The screenshot shows a configuration window titled "multivantage" with a menu bar (File, Edit, View, System, Action, Tools, Window, Help) and a toolbar. The main area displays the configuration for "SIGNALING GROUP" with the following parameters:

Group Number:	12	Group Type:	isdn-pri
Associated Signaling?	0	Max number of NCA TSC:	5
Primary D-Channel:	01A1216	Max number of CA TSC:	23
Trunk Group for Channel Selection:	12	Trunk Group for NCA TSC:	12
Supplementary Service Protocol:	a	X-Mobility/Wireless Type:	NONE

At the bottom of the window, there is a status bar with the text "Right-click in a field to see a list of valid entries or help text" and "Ready". A "NUM" button is visible in the bottom right corner.



PSTN Trunk Configuration

File Edit View System Action Tools Window Help

change trunk-group 12 send [return] help (f5) cancel (esc) enter (f3) schedule (f9) next (f7) previous (f8)

1 2 3 4 5 6 7 8 9 10

TRUNK GROUP

Group Number: 12 Group Type: isdn CDR Reports: y
Group Name: HU1.2 to PSTN on U6 COR: 1 TN: 1 TAC: 612
Direction: two-way Outgoing Display? y Carrier Medium: PRI/BRI
Dial Access? y Busy Threshold: 99 Night Service:
Queue Length: 0
Service Type: public-ntwrk Auth Code? n TestCall ITC: rest
Far End Test Line No:

TestCall BCC: 4

TRUNK PARAMETERS

Codeset to Send Display: 0 Codeset to Send National IEs: 7
Max Message Size to Send: 260 Charge Advice: none
Supplementary Service Protocol: c Digit Handling (in/out): enbloc/enbloc

Trunk Hunt: ascend QSIG Value-Added? n
Digital Loss Group: 13
Calling Number - Delete: Insert: Numbering Format:
Bit Rate: 1200 Synchronization: async Duplex: full
Disconnect Supervision - In? y Out? n
Answer Supervision Timeout: 0

Right-click in a field to see a list of valid entries or help text

Ready NUM



File Edit View System Action Tools Window Help

change trunk-group 12 send (return) help (f5) cancel (esc) enter (f3) schedule (f9) next (f7) previous (f8)

1 2 3 4 5 6 7 8 9 10

TRUNK FEATURES

ACA Assignment? Measured: Wideband Support?
Maintenance Tests?
Data Restriction? NCA-TSC Trunk Member:
Send Name: Send Calling Number:
Used for DCS?
Suppress # Outpulsing? Numbering Format:
Outgoing Channel ID Encoding: UII IE Treatment:
Replace Restricted Numbers?
Replace Unavailable Numbers?
Send Connected Number:
Send UII IE?
Send UCID?
Send Codeset 6/7 LAI IE? Ds1 Echo Cancellation?
SBS? Network (Japan) Needs Connect Before Disconnect?

Right-click in a field to see a list of valid entries or help text

Ready



File Edit View System Action Tools Window Help

change trunk-group 12 send (return) help (f5) cancel (esc) enter (f3) schedule (f9) next (f7) previous (f8)

1 2 3 4 5 6 7 8 9 10

TRUNK GROUP
Administered Members (min/max): 1/15
Total Administered Members: 15

GROUP MEMBER ASSIGNMENTS

	Port	Code	Sfx	Name	Night	Sig Grp
1:	01A1201	TN464	F			12
2:	01A1202	TN464	F			12
3:	01A1203	TN464	F			12
4:	01A1204	TN464	F			12
5:	01A1205	TN464	F			12
6:	01A1206	TN464	F			12
7:	01A1207	TN464	F			12
8:	01A1208	TN464	F			12
9:	01A1209	TN464	F			12
10:	01A1210	TN464	F			12
11:	01A1211	TN464	F			12
12:	01A1212	TN464	F			12
13:	01A1213	TN464	F			12
14:	01A1214	TN464	F			12
15:	01A1215	TN464	F			12

Right-click in a field to see a list of valid entries or help text

Ready NUM



PSTN Access Code (9)

File Edit View System Action Tools Window Help

change feature-access-codes send (return) help (f5) cancel (esc) enter (f3) schedule (f9) next (f7) previous (f8)

1 2 3 4 5 6 7

FEATURE ACCESS CODE (FAC)

Abbreviated Dialing List1 Access Code:	<input type="text"/>
Abbreviated Dialing List2 Access Code:	<input type="text"/>
Abbreviated Dialing List3 Access Code:	<input type="text"/>
Abbreviated Dial - Prgm Group List Access Code:	<input type="text"/>
Announcement Access Code:	<input type="text"/>
Answer Back Access Code:	<input type="text"/>
Auto Alternate Routing (AAR) Access Code:	<input type="text" value="8"/>
Auto Route Selection (ARS) - Access Code 1:	<input type="text" value="9"/>
Access Code 2:	<input type="text"/>
Automatic Callback Activation:	<input type="text"/>
Deactivation:	<input type="text"/>
Call Forwarding Activation Busy/DA: <input type="text" value="*66"/> All: <input type="text" value="*67"/>	Deactivation: <input type="text" value="*69"/>
Call Park Access Code:	<input type="text"/>
Call Pickup Access Code:	<input type="text"/>
CAS Remote Hold/Answer Hold-Unhold Access Code:	<input type="text"/>
CDR Account Code Access Code:	<input type="text"/>
Change COR Access Code:	<input type="text"/>
Change Coverage Access Code:	<input type="text"/>
Data Origination Access Code:	<input type="text"/>
Data Privacy Access Code:	<input type="text"/>
Directed Call Pickup Access Code:	<input type="text"/>

Right-click in a field to see a list of valid entries or help text

Ready



PSTN Dialing Plan

File Edit View System Action Tools Window Help

change ars analysis 165 send (return) help (f5) cancel (esc) enter (f3) schedule (f9) next (f7) previous (f8)

1 2

ARS DIGIT ANALYSIS TABLE
Location: all Percent Full: 8

Dialed String	Total		Route Pattern	Call Type	Node Num	ANI Reqd
	Min	Max				
165	11	11	111	fnpa		n
166	11	11	deny	fnpa		n
167	11	11	deny	fnpa		n
168	11	11	deny	fnpa		n
169	11	11	deny	fnpa		n
170	11	11	deny	fnpa		n
1700	11	11	deny	fnpa		n
171	11	11	deny	fnpa		n
172	11	11	deny	fnpa		n
173	11	11	deny	fnpa		n
174	11	11	deny	fnpa		n
175	11	11	deny	fnpa		n
176	11	11	deny	fnpa		n
177	11	11	deny	fnpa		n
178	11	11	deny	fnpa		n

Right-click in a field to see a list of valid entries or help text

Ready NUM



File Edit View System Action Tools Window Help

change route-pattern 111 send (return) help (f5) cancel (esc) enter (f3) schedule (f9) next (f7) previous (f8)

1

Pattern Number: 111 Pattern Name:

Grp No	FRL	NPA	Pfx Mrk	Hop Lmt	Toll List	No. Del	Inserted Dgts	DCS/ IXC QSIG Intw
1:	12	0	408					n user
2:								n user
3:								n user
4:								n user
5:								n user
6:								n user

Grp No	BCC VALUE	TSC	CA-TSC Request	ITC	BCIE	Service/Feature	BAND	No. Dgts	Numbering Format	LAR Subaddress
1:	y y y y y n	n		rest					natl-pub	none
2:	y y y y y n	n		rest						none
3:	y y y y y n	n		rest						none
4:	y y y y y n	n		rest						none
5:	y y y y y n	n		rest						none
6:	y y y y y n	n		rest						none

Right-click in a field to see a list of valid entries or help text

Ready NUM



Configuring the Cisco Unified CallManager

6608-E1 Gateway Configuration

System Route Plan Service Feature Device User Application Help

Cisco CallManager Administration
For Cisco IP Telephony Solutions

CISCO SYSTEMS

Gateway Configuration

[Back to Find/List Gateways](#)
[Dependency Records](#)

Product : Cisco Catalyst 6000 E1 VoIP Gateway
Gateway : S0/DS1-0@SDA0001C9D8633E
Device Protocol: Digital Access PRI
Registration: Registered with Cisco CallManager 172.20.32.254
IP Address: [172.20.32.103](#)

Status: Ready

Device Information

MAC Address*	<input type="text" value="0001C9D8633E"/>
Description	<input type="text" value="SDA0001C9D8633E"/>
Device Pool*	<input type="text" value="Default"/>
Network Locale	<input type="text" value="United States"/>
Media Resource Group List	<input type="text" value=" < None >"/>
Location	<input type="text" value=" < None >"/>
AAR Group	<input type="text" value=" < None >"/>
Load Information	<input type="text"/>


Multilevel Precedence and Preemption (MLPP) Information

MLPP Domain (e.g., "0000FF")	<input type="text"/>
MLPP Indication	Not available on this device
MLPP Preemption	Not available on this device

Interface Information

PRI Protocol Type*	<input type="text" value="PRI ISO QSIG E1"/>
Protocol Side*	<input type="text" value="Network"/>
Channel Selection Order*	<input type="text" value="Top Down"/>
Channel IE Type*	<input type="text" value="Continuous Number"/>

PCM Type*	A-law
Delay for first restart (1/8 sec ticks)	32
Delay between restarts (1/8 sec ticks)	4
<input checked="" type="checkbox"/> Inhibit restarts at PRI initialization	
<input checked="" type="checkbox"/> Enable status poll	
Call Routing Information	
Inbound Calls	
Significant Digits*	All
Calling Search Space	Incoming Trunk
AAR Calling Search Space	< None >
Prefix DN	
Outbound Calls	
Calling Line ID Presentation*	Default
Calling Party Selection*	Originator
Called party IE number type unknown*	Cisco CallManager
Calling party IE number type unknown*	Cisco CallManager
Called Numbering Plan*	Cisco CallManager
Calling Numbering Plan*	Cisco CallManager
Number of digits to strip*	0
Caller ID DN	
SMDI Base Port*	0
PRI Protocol Type Specific Information	
<input checked="" type="checkbox"/> Display IE Delivery	
<input checked="" type="checkbox"/> Redirecting Number IE Delivery - Outbound	
<input checked="" type="checkbox"/> Redirecting Number IE Delivery - Inbound	
<input checked="" type="checkbox"/> Send Extra Leading Character In DisplayIE***	
<input type="checkbox"/> Setup non-ISDN Progress Indicator IE Enable****	

<input type="checkbox"/>	MCDN Channel Number Extension Bit Set to Zero**
<input type="checkbox"/>	Send Calling Name In Facility IE
<input type="checkbox"/>	Interface Identifier Present**
Interface Identifier Value**	<input type="text" value="0"/>
Connected Line ID Presentation (QSIG Inbound Call)*	<input type="text" value="Default"/>
Connected PBX Model	<input type="text" value="None"/>
Product Specific Configuration 	
Clock Reference*	<input type="text" value="Network"/>
Framing*	<input type="text" value="CRC4"/>
Audio Signal Adjustment into IP Network*	<input type="text" value="NoDbPadding"/>
Audio Signal Adjustment from IP Network*	<input type="text" value="NoDbPadding"/>
Zero Suppression*	<input type="text" value="HDB3"/>
Digit On Duration(50-500ms)*	<input type="text" value="100"/>
Interdigit Duration(50-500msec)*	<input type="text" value="100"/>
SNMP Community String	<input type="text" value="public"/>
Disable SNMP Set operations*	<input type="checkbox"/>
Debug Port Enable*	<input checked="" type="checkbox"/>
Hold Tone Silence Duration*	<input type="text" value="0"/>
Port Used for Voice Calls*	<input checked="" type="checkbox"/>
Port Used for Modem Calls*	<input checked="" type="checkbox"/>
Port Used for Fax Calls*	<input checked="" type="checkbox"/>
Fax and Modem Parameters	
Fax Relay Enable*	<input checked="" type="checkbox"/>
Fax Error Correction Mode Override*	<input checked="" type="checkbox"/>
Maximum Fax Rate*	<input type="text" value="14400bps"/>
Fax Payload Size*	<input type="text" value="20"/>
Non Standard Facilities Country Code*	<input type="text" value="65535"/>
Non Standard Facilities Number*	<input type="text"/>

Non Standard Facilities Vendor Code*	<input type="text" value="65535"/>
Fax/Modem Packet Redundancy*	<input type="checkbox"/>
NSE Type*	<input type="text" value="Non-IOS Gateways"/>

Playout Delay Parameters

Initial Playout Delay*	<input type="text" value="40"/>
Minimum Playout Delay*	<input type="text" value="20"/>
Maximum Playout Delay*	<input type="text" value="150"/>

Echo Canceller Configuration

Echo TailLength (ms)*	<input type="text" value="32 ms"/>
Minimum ERL (db)*	<input type="text" value="6 db"/>

* indicates required item
** applicable to DMS-100 protocol only
*** applicable to DMS-100 protocol and DMS-250 protocol only
**** may be required to force ringback from some PBXs

[Back to Find/List Gateways](#)



Enbloc Route Pattern Configuration

Route Pattern/Hunt Pilot: 6.XXXX

Status: Update completed
Note: Any update to this Route Pattern or Hunt Pilot automatically resets the associated gateway or Route/Hunt List

Pattern Definition

Route Pattern/Hunt Pilot*

Partition

Description

Numbering Plan*

Route Filter

MLPP Precedence

Gateway or Route/Hunt List* [\(Edit\)](#)

Route Option

Route this pattern

Block this pattern

Provide Outside Dial Tone Allow Overlap Sending Urgent Priority

Calling Party Transformations

Use Calling Party's External Phone Number Mask

Calling Party Transform Mask

Prefix Digits (Outgoing Calls)

Calling Line ID Presentation

Calling Name Presentation

Connected Party Transformations

Connected Line ID Presentation

Connected Name Presentation

Called Party Transformations

Discard Digits

Called Party Transform Mask

Prefix Digits (Outgoing Calls)

ISDN Network-Specific Facilities Information Element

Carrier Identification Code

Network Service Protocol

Network Service	Service Parameter Name	Service Parameter Value
<input type="text" value="— Not Selected —"/>	<input type="text" value="< Not Exist >"/>	<input type="text"/>



Overlap Sending Route Pattern Configuration

Route Pattern/Hunt Pilot: 9.X

Status: Ready
Note: Any update to this Route Pattern or Hunt Pilot automatically resets the associated gateway or Route/Hunt List

Pattern Definition

Route Pattern/Hunt Pilot*

Partition

Description

Numbering Plan*

Route Filter

MLPP Precedence

Gateway or Route/Hunt List* [\(Edit\)](#)

Route Option

Route this pattern

Block this pattern

Provide Outside Dial Tone Allow Overlap Sending Urgent Priority

Calling Party Transformations

Use Calling Party's External Phone Number Mask

Calling Party Transform Mask

Prefix Digits (Outgoing Calls)

Calling Line ID Presentation

Calling Name Presentation

Connected Party Transformations

Connected Line ID Presentation

Connected Name Presentation

Called Party Transformations

Discard Digits

Called Party Transform Mask

Prefix Digits (Outgoing Calls)

ISDN Network-Specific Facilities Information Element

Carrier Identification Code

Network Service Protocol

Network Service	Service Parameter Name	Service Parameter Value
<input type="text" value=" — Not Selected —"/>	<input type="text" value=" < Not Exist >"/>	<input type="text"/>



PSTN Route Pattern Configuration

Route Pattern/Hunt Pilot: 91650XXXXXXX

Status: Ready
Note: Any update to this Route Pattern or Hunt Pilot automatically resets the associated gateway or Route/Hunt List

Pattern Definition

Route Pattern/Hunt Pilot*

Partition

Description

Numbering Plan*

Route Filter

MLPP Precedence

Gateway or Route/Hunt List* [\(Edit\)](#)

Route Option

Route this pattern

Block this pattern

Provide Outside Dial Tone Allow Overlap Sending Urgent Priority

Calling Party Transformations

Use Calling Party's External Phone Number Mask

Calling Party Transform Mask

Prefix Digits (Outgoing Calls)

Calling Line ID Presentation

Calling Name Presentation

Connected Party Transformations

Connected Line ID Presentation

Connected Name Presentation

Called Party Transformations

Discard Digits

Called Party Transform Mask

Prefix Digits (Outgoing Calls)

ISDN Network-Specific Facilities Information Element

Carrier Identification Code

Network Service Protocol

Network Service	Service Parameter Name	Service Parameter Value
<input type="text" value=" — Not Selected —"/>	<input type="text" value=" < Not Exist >"/>	<input type="text"/>



7960 IP phone Configuration

[Add a new phone](#)
[Add/Update Speed Dials](#)
[Subscribe/Unsubscribe Services](#)
[Dependency Records](#)
[Back to Find/List Phones](#)

Phone Configuration

Directory Numbers
Base Phone

- Line 1 - 4001 in Phones
- Line 2 - Add new DN

Phone: SEP003094C39863 (Auto 4001)
Registration: Registered with Cisco CallManager 172.20.32.254
IP Address: 172.20.32.110
Status: Ready

Phone Configuration (Model = Cisco 7960)

Device Information

MAC Address*	<input type="text" value="003094C39863"/>
Description	<input type="text" value="Auto 4001"/>
Owner User ID	<input type="text"/> (Select User ID)
Device Pool*	<input type="text" value="Default"/> (View details)
Calling Search Space	<input type="text" value="< None >"/>
AAR Calling Search Space	<input type="text" value="< None >"/>
Media Resource Group List	<input type="text" value="< None >"/>
User Hold Audio Source	<input type="text" value="< None >"/>
Network Hold Audio Source	<input type="text" value="< None >"/>
Location	<input type="text" value="< None >"/>
User Locale	<input type="text" value="< None >"/>
Network Locale	<input type="text" value="< None >"/>
Device Security Mode	<input type="text" value="Use System Default"/>
Built In Bridge	<input type="text" value="Default"/>
Privacy	<input type="text" value="Default"/>

Phone Button Template Information

Phone Button Template*	<input type="text" value="Standard 7960"/> (View button list)
------------------------	---


Softkey Template Information

Softkey Template	<input type="text" value="< None >"/>
------------------	---

Expansion Module Information

Module 1	<input type="text" value="< None >"/>
Module 2	<input type="text" value="< None >"/>



Module 1 Load Name	<input type="text"/>	(Module 1 selection required)
Module 2 Load Name	<input type="text"/>	(Module 2 selection required)
Cisco IP Phone - External Data Locations (leave blank to use default)		
Information	<input type="text"/>	
Directory	<input type="text"/>	
Messages	<input type="text"/>	
Services	<input type="text"/>	
Authentication Server	<input type="text"/>	
Proxy Server	<input type="text"/>	
Idle	<input type="text"/>	
Idle Timer (seconds)	<input type="text"/>	
Extension Mobility (Device Profile) Information		
<input type="checkbox"/> Enable Extension Mobility Feature		
Log Out Profile	<input type="text" value="-- Not Selected --"/>	
Log In User ID	<input type="text" value="< None >"/>	
Log In Time	<input type="text" value="< None >"/>	
Log Out Time	<input type="text" value="< None >"/>	
Multilevel Precedence and Preemption (MLPP) Information		
MLPP Domain	<input type="text" value=""/>	(e.g., "0000FF")
MLPP Indication	<input type="text" value="Default"/>	
MLPP Preemption	<input type="text" value="Default"/>	
Product Specific Configuration 		
Disable Speakerphone	<input type="checkbox"/>	
Disable Speakerphone and Headset	<input type="checkbox"/>	
Forwarding Delay*	<input type="text" value="Disabled"/>	
PC Port*	<input type="text" value="Enabled"/>	
Settings Access*	<input type="text" value="Enabled"/>	
Gratuitous ARP*	<input type="text" value="Enabled"/>	
PC Voice VLAN Access*	<input type="text" value="Enabled"/>	
Video Capabilities*	<input type="text" value="Disabled"/>	
Auto Line Select*	<input type="text" value="Disabled"/>	

Directory Number Configuration

[Configure Device \(SEP003094C39863\)](#)
[Dependency Records](#)

Associated With

SEP003094C39863
 7960 (Line 1)

Directory Number: 4001 (Phones)

Status: Ready

Note: Any update to this Directory Number automatically resets the associated devices

Directory Number

Directory Number*
 Partition

Directory Number Settings

Voice Mail Profile
 (Choose <None> to use default)
 Calling Search Space
 AAR Group
 User Hold Audio Source
 Network Hold Audio Source
 Auto Answer

Call Forward and Pickup Settings

	Voice Mail Destination	Calling Search Space
Forward All	<input type="checkbox"/> <input type="text"/>	<input type="text" value=" < None >"/>
Forward Busy	<input type="checkbox"/> <input type="text"/>	<input type="text" value=" < None >"/>
Forward No Answer	<input type="checkbox"/> <input type="text"/>	<input type="text" value=" < None >"/>
No Answer Ring Duration	<input type="text"/> (seconds)	
Call Pickup Group	<input type="text" value=" < None >"/>	

MLPP Alternate Party Settings

Target (Destination)
 Calling Search Space
 No Answer Ring Duration (seconds)

Line Settings for this Device

Display (Internal Caller ID)
 Line Text Label
 External Phone Number Mask

Message Waiting Lamp Policy	<input type="text" value="Use System Policy"/>
Ring Setting (Phone Idle)	<input type="text" value="Use System Default"/>
Ring Setting (Phone Active)**	<input type="text" value="Use System Default"/>
Multiple Call / Call Waiting Settings	
Maximum Number of Calls*	<input type="text" value="4"/> (1 - 200)
Busy Trigger*	<input type="text" value="2"/> (<= Max. Calls)
Forwarded Call Information Display	
<input checked="" type="checkbox"/> Caller Name	<input checked="" type="checkbox"/> Caller Number
<input checked="" type="checkbox"/> Redirected Number	<input checked="" type="checkbox"/> Dialed Number
<p>* indicates required item; changes to Line or Directory Number settings require restart. ** Ring Setting (Phone Active) applies to this line when any line on the phone has a call in progress.</p>	
Note: If you are using a language other than English for Display (Internal Caller ID) or Line Text Label text, make sure the correct character set (shown below) is selected. Text displays incorrectly if the wrong character set is selected. (English characters are included in all character sets.)	
Character Set	<input type="text" value="Western European (Latin 1)"/>



Acronyms

Acronym	Definitions
CUCM	Cisco Unified CallManager
PSTN	Public Switched Telephone Network



Important Information

THE SPECIFICATIONS AND INFORMATION REGARDING THE PRODUCTS IN THIS MANUAL ARE SUBJECT TO CHANGE WITHOUT NOTICE. ALL STATEMENTS, INFORMATION, AND RECOMMENDATIONS IN THIS MANUAL ARE BELIEVED TO BE ACCURATE BUT ARE PRESENTED WITHOUT WARRANTY OF ANY KIND, EXPRESS OR IMPLIED. USERS MUST TAKE FULL RESPONSIBILITY FOR THEIR APPLICATION OF ANY PRODUCTS.

IN NO EVENT SHALL CISCO OR ITS SUPPLIERS BE LIABLE FOR ANY INDIRECT, SPECIAL, CONSEQUENTIAL, OR INCIDENTAL DAMAGES, INCLUDING, WITHOUT LIMITATION, LOST PROFITS OR LOSS OR DAMAGE TO DATA ARISING OUT OF THE USE OR INABILITY TO USE THIS MANUAL, EVEN IF CISCO OR ITS SUPPLIERS HAVE BEEN ADVISED OF THE POSSIBILITY OF SUCH DAMAGES.



**Corporate
Headquarters**

Cisco Systems, Inc.
170 West Tasman Drive
San Jose, CA 95134-1706
USA
www.cisco.com
Tel: 408 526-4000
800 553-NETS (6387)
Fax: 408 526-4100

**European
Headquarters**

Cisco Systems International
BV
Haarlerbergpark
Haarlerbergweg 13-19
1101 CH Amsterdam
The Netherlands
www-europe.cisco.com
Tel: 31 0 20 357 1000
Fax: 31 0 20 357 1100

**Americas
Headquarters**

Cisco Systems, Inc.
170 West Tasman Drive
San Jose, CA 95134-1706
USA
www.cisco.com
Tel: 408 526-7660
Fax: 408 527-0883

**Asia Pacific
Headquarters**

Cisco Systems, Inc.
Capital Tower
168 Robinson Road
#22-01 to #29-01
Singapore 068912
www.cisco.com
Tel: +65 317 7777
Fax: +65 317 7799

Cisco Systems has more than 200 offices in the following countries and regions. Addresses, phone numbers, and fax numbers are listed on the Cisco Web site at www.cisco.com/go/offices.

Argentina • Australia • Austria • Belgium • Brazil • Bulgaria • Canada • Chile • China PRC • Colombia • Costa Rica • Croatia • Czech Republic • Denmark • Dubai, UAE • Finland • France • Germany • Greece • Hong Kong SAR • Hungary • India • Indonesia • Ireland • Israel • Italy • Japan • Korea • Luxembourg • Malaysia • Mexico • The Netherlands • New Zealand • Norway • Peru • Philippines • Poland • Portugal • Puerto Rico • Romania • Russia • Saudi Arabia • Scotland • Singapore • Slovakia • Slovenia • South Africa • Spain • Sweden • Switzerland • Taiwan • Thailand • Turkey • Ukraine • United Kingdom • United States • Venezuela • Vietnam • Zimbabwe

© 2007 Cisco Systems, Inc. All rights reserved.

CCVP, the Cisco logo, and Welcome to the Human Network are trademarks of Cisco Systems, Inc.; Changing the Way We Work, Live, Play, and Learn is a service mark of Cisco Systems, Inc.; and Access Registrar, Aironet, Catalyst, CCDA, CCDP, CCIE, CCIP, CCNA, CCNP, CCSP, Cisco, the Cisco Certified Internetwork Expert logo, Cisco IOS, Cisco Press, Cisco Systems, Cisco Systems Capital, the Cisco Systems logo, Cisco Unity, Enterprise/Solver, EtherChannel, EtherFast, EtherSwitch, Fast Step, Follow Me Browsing, FormShare, GigaDrive, HomeLink, Internet Quotient, IOS, iPhone, IP/TV, iQ Expertise, the iQ logo, iQ Net Readiness Scorecard, iQuick Study, LightStream, Linksys, MeetingPlace, MGX, Networkers, Networking Academy, Network Registrar, PIX, ProConnect, ScriptShare, SMARTnet, StackWise, The Fastest Way to Increase Your Internet Quotient, and TransPath are registered trademarks of Cisco Systems, Inc. and/or its affiliates in the United States and certain other countries.

All other trademarks mentioned in this document or Website are the property of their respective owners. The use of the word partner does not imply a partnership relationship between Cisco and any other company. (0711R)

Printed in the USA