

MSE 8000显示报警，当受监视用NIC卡德和机箱

目录

[简介](#)

[背景信息](#)

[问题](#)

[解决方案](#)

简介

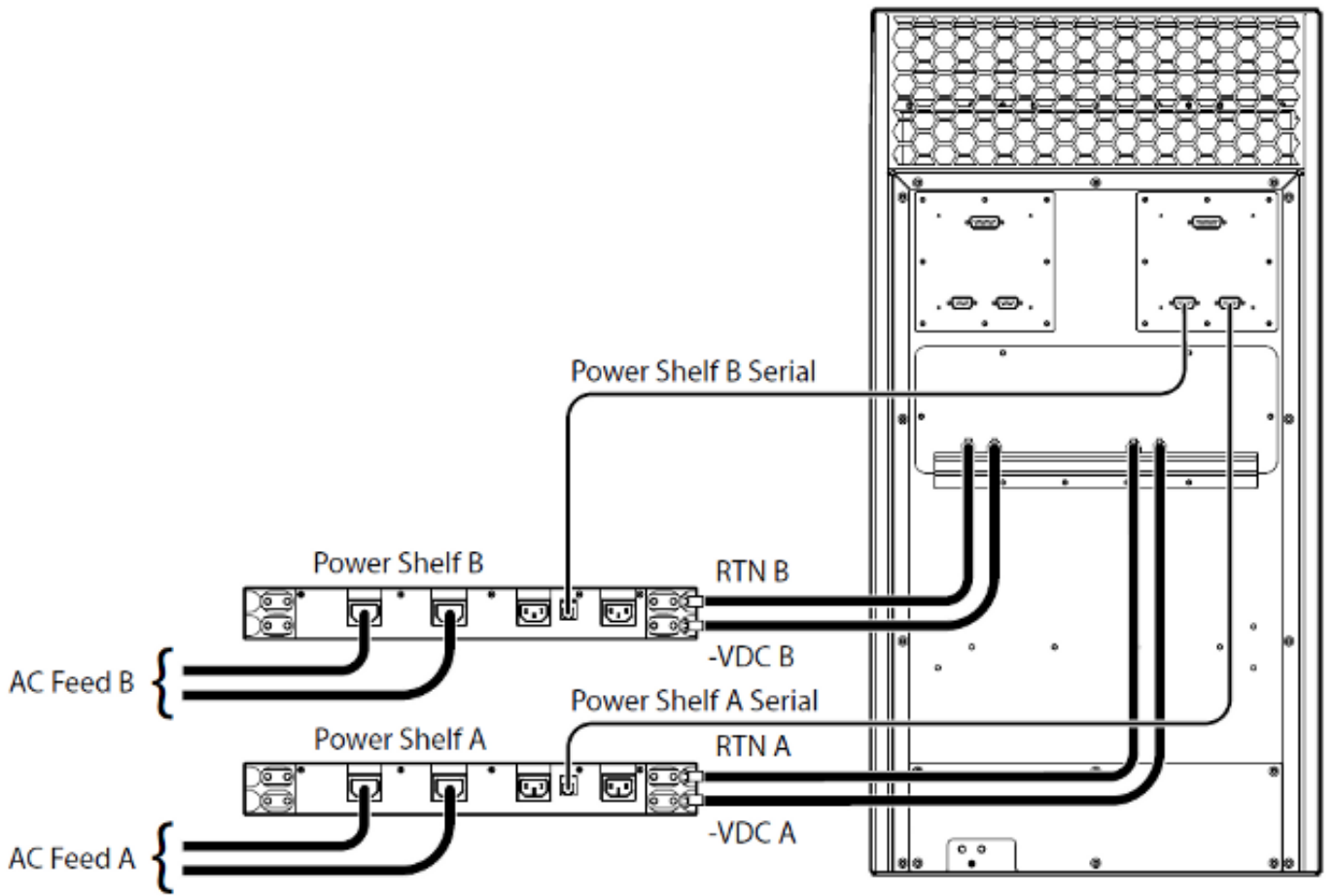
本文描述遇到的问题您看到在机箱的地方报警，当您监控电源支架单元(PSU)时在MSE机箱用机箱和以太网端口同时网络接口卡(NIC)卡的。

背景信息

在连接对以太网通过Web、Telnet或者简单网络管理协议(SNMP)提供对PSU的访问的MSE机箱的PSU可以监控与Supervisor MSE 8050系列刀片或与瓦莱尔NIC。

此镜像显示MSE 8000系列DC电源架：

MSE 8000



此NIC卡可以插入到电源支架为了监控它。



问题

通常被看到客户的尝试通过NIC卡监控电源支架的状态与机箱和以太网访问的在机箱引起这些报警显示。

The screenshot shows the Codian web interface for alarm status. The navigation bar includes Home, Status, Network, Settings, Users, Hardware, Port licenses, and Clustering. The breadcrumb trail is Home > Alarms > Alarm status. The main content area has three tabs: Alarm status (selected), Alarms log, and Alarm levels. Under the Alarm status tab, there is a 'Clear historic alarms' button. The alarm list is organized into three sections: Critical alarms, Major alarms, and Minor alarms. Each section contains a list of alarm messages with their corresponding status (OK or Alarm).

Alarm status	Alarms log	Alarm levels
Alarm status		
<input type="button" value="Clear historic alarms"/>		
Critical alarms		
Blade temperature critical OK		
Major alarms		
Fan tray(s) absent OK		
Fan tray communication failure OK		
Blade communication failure OK		
Power supply out of range OK		
Internal voltages out of range OK		
Power supply reporting fault OK		
Lost contact with power supply Alarm		
Port licenses automatically deallocated OK		
New supervisor inserted OK		
Supply under capacity OK		
Minor alarms		
Fan failure OK		
Filter blocked OK		
Blade unexpectedly removed OK		
Blade unexpectedly rebooted OK		
No compact flash card inserted OK		
Blade badly seated OK		
<input type="button" value="Clear historic alarms"/>		

告警日志显示此日志：

Codian MSE Supervisor 8050
 host: DCUTSUP1 login: admin
 Home Status Network Settings Users Hardware Port licenses Clustering Log out Alarms Logs Help

Home > Alarms > Alarms log

Alarm status Alarms log Alarm levels

13 alarm events logged

Download as text Clear log Page 1 1 2 3 4 5 6 7 8 9 10 11 12 13 14 15 16 17 18 19 20

#	Time	Alarm	Action	Severity
July 9 2012				
1	15:19:39	No compact flash card inserted	Set	Minor
2	15:19:46	No compact flash card inserted	Cleared	Minor
3	15:19:55	Fan failure: Both fan trays	Set	Minor
4	15:20:11	Fan failure	Cleared	Minor
5	15:42:34	Lost contact with power supply	Set	Major
6	16:04:40	Lost contact with power supply	Cleared	Major
7	16:05:20	Lost contact with power supply	Set	Major
8	16:05:30	Lost contact with power supply	Cleared	Major
9	16:05:41	Lost contact with power supply	Set	Major
10	16:08:50	Lost contact with power supply	Cleared	Major
11	16:08:12	Lost contact with power supply	Set	Major
12	16:10:30	Lost contact with power supply	Cleared	Major
13	16:10:21	Lost contact with power supply	Set	Major

Download as text Clear log Page 1 1 2 3 4 5 6 7 8 9 10 11 12 13 14 15 16 17 18 19 20

解决方案

电源支架不支持IP地址登录，在使用同一个用户名的同时的序列登录，因此使用此应用程序由 Supervisor刀片造成电源支架监听中断。所以，思科不建议您通过以太网和串行连接同时监控电源支架。如果断开他们中的一个，应该解决问题。支持的策略是使用串行电缆(机箱)或以太网(NIC卡)监控电源的状况。