



Configuring Voice VLAN

This chapter describes how to configure the voice VLAN feature on the Catalyst 3750 switch. Unless otherwise noted, the term *switch* refers to a standalone switch and a switch stack. Voice VLAN is referred to as an *auxiliary VLAN* in some Catalyst 6500 family switch documentation.



Note

For complete syntax and usage information for the commands used in this chapter, refer to the command reference for this release.

This chapter consists of these sections:

- [Understanding Voice VLAN, page 15-1](#)
- [Configuring Voice VLAN, page 15-3](#)
- [Displaying Voice VLAN, page 15-6](#)

Understanding Voice VLAN

The voice VLAN feature enables access ports to carry IP voice traffic from an IP phone. When the switch is connected to a Cisco 7960 IP Phone, the IP Phone sends voice traffic with Layer 3 IP precedence and Layer 2 class of service (CoS) values, which are both set to 5 by default. Because the sound quality of an IP phone call can deteriorate if the data is unevenly sent, the switch supports quality of service (QoS) based on IEEE 802.1p CoS. QoS uses classification and scheduling to send network traffic from the switch in a predictable manner. For more information on QoS, see [Chapter 29, “Configuring QoS.”](#)

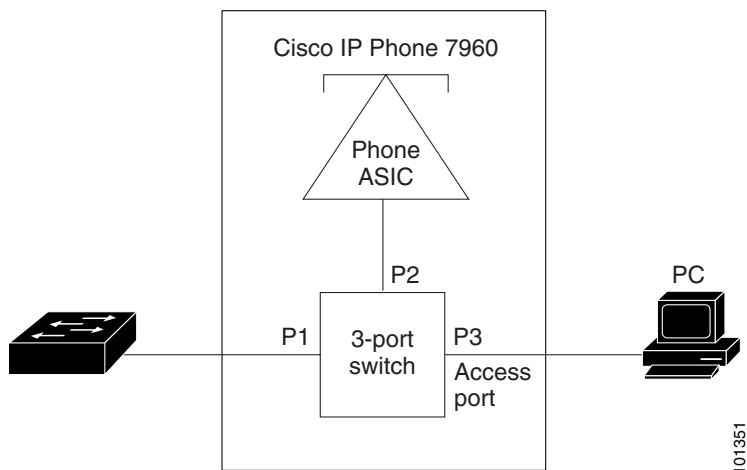
The Cisco 7960 IP Phone is a configurable device, and you can configure it to forward traffic with an 802.1p priority. You can configure the switch to trust or override the traffic priority assigned by an IP Phone.

The Cisco IP Phone contains an integrated three-port 10/100 switch as shown in [Figure 15-1](#). The ports provide dedicated connections to these devices:

- Port 1 connects to the switch or other voice-over-IP (VoIP) device.
- Port 2 is an internal 10/100 interface that carries the IP phone traffic.
- Port 3 (access port) connects to a PC or other device.

[Figure 15-1](#) shows one way to connect a Cisco 7960 IP Phone.

Figure 15-1 Cisco 7960 IP Phone Connected to a Switch



Cisco IP Phone Voice Traffic

You can configure an access port with an attached Cisco IP Phone to use one VLAN for voice traffic and another VLAN for data traffic from a device attached to the phone. You can configure access ports on the switch to send Cisco Discovery Protocol (CDP) packets that instruct an attached Cisco IP Phone to send voice traffic to the switch in any of these ways:

- In the voice VLAN tagged with a Layer 2 CoS priority value
- In the access VLAN tagged with a Layer 2 CoS priority value
- In the access VLAN, untagged (no Layer 2 CoS priority value)



Note

In all configurations, the voice traffic carries a Layer 3 IP precedence value (the default is 5 for voice traffic and 3 for voice control traffic).

Cisco IP Phone Data Traffic

The switch can also process tagged data traffic (traffic in 802.1Q or 802.1p frame types) from the device attached to the access port on the Cisco IP Phone (see [Figure 15-1](#)). You can configure Layer 2 access ports on the switch to send CDP packets that instruct the attached Cisco IP Phone to configure the IP phone access port in one of these modes:

- In trusted mode, all traffic received through the access port on the Cisco IP Phone passes through the IP phone unchanged.
- In untrusted mode, all traffic in 802.1Q or 802.1p frames received through the access port on the IP phone receive a configured Layer 2 CoS value. The default Layer 2 CoS value is 0. Untrusted mode is the default.



Note

Untagged traffic from the device attached to the Cisco IP Phone passes through the IP phone unchanged, regardless of the trust state of the access port on the IP phone.

Configuring Voice VLAN

This section describes how to configure voice VLAN on access ports. This section contains this configuration information:

- [Default Voice VLAN Configuration, page 15-3](#)
- [Voice VLAN Configuration Guidelines, page 15-3](#)
- [Configuring a Port Connected to a Cisco 7960 IP Phone, page 15-4](#)

Default Voice VLAN Configuration

The voice VLAN feature is disabled by default.

When the voice VLAN feature is enabled, all untagged traffic is sent according to the default CoS priority of the port.

The CoS value is not trusted for 802.1p or 802.1Q tagged traffic.

Voice VLAN Configuration Guidelines

These are the voice VLAN configuration guidelines:

- You should configure voice VLAN on switch access ports; voice VLAN is not supported on trunk ports. You can only configure a voice VLAN on Layer 2 ports.



Note Voice VLAN is only supported on access ports and not on trunk ports, even though the configuration is allowed.

- The Power over Ethernet (PoE) switches are capable of automatically providing power to Cisco pre-standard and IEEE 802.3af-compliant powered devices if they are not being powered by an AC power source. For information about PoE interfaces, see the [“Configuring Power over Ethernet on an Interface”](#) section on page 11-17.
- Before you enable voice VLAN, we recommend that you enable QoS on the switch by entering the **mls qos** global configuration command and configure the port trust state to trust by entering the **mls qos trust cos** interface configuration command. If you use the auto-QoS feature, these settings are automatically configured. For more information, see [Chapter 29, “Configuring QoS.”](#)
- You must enable CDP on the switch port connected to the Cisco IP Phone to send configuration to the Cisco IP Phone. (CDP is enabled by default globally and on all switch interfaces.)
- The Port Fast feature is automatically enabled when voice VLAN is configured. When you disable voice VLAN, the Port Fast feature is not automatically disabled.
- If the Cisco IP Phone and a device attached to the Cisco IP Phone are in the same VLAN, they must be in the same IP subnet. These conditions indicate that they are in the same VLAN:
 - They both use 802.1p or untagged frames.
 - The Cisco IP Phone uses 802.1p frames and the device uses untagged frames.
 - The Cisco IP Phone uses untagged frames and the device uses 802.1p frames.
 - The Cisco IP Phone uses 802.1Q frames and the voice VLAN is the same as the access VLAN.

- The Cisco IP Phone and a device attached to the phone cannot communicate if they are in the same VLAN and subnet but use different frame types because traffic in the same subnet is not routed (routing would eliminate the frame type difference).
- You cannot configure static secure MAC addresses in the voice VLAN.
- Voice VLAN ports can also be these port types:
 - Dynamic access port. See the “[Configuring Dynamic-Access Ports on VMPS Clients](#)” section on page 13-30 for more information.
 - 802.1X authenticated port. See the “[Configuring 802.1X Authentication](#)” section on page 10-13 for more information.
 - Protected port. See the “[Configuring Protected Ports](#)” section on page 21-5 for more information.
 - A source or destination port for a SPAN or RSPAN session.
 - Secure port. See the “[Configuring Port Security](#)” section on page 21-7 for more information.



Note When you enable port security on an interface that is also configured with a voice VLAN, you must set the maximum allowed secure addresses on the port to two plus the maximum number of secure addresses allowed on the access VLAN. When the port is connected to a Cisco IP phone, the IP phone requires up to two MAC addresses. The IP phone address is learned on the voice VLAN and might also be learned on the access VLAN. Connecting a PC to the IP phone requires additional MAC addresses.

Configuring a Port Connected to a Cisco 7960 IP Phone

Because a Cisco 7960 IP Phone also supports a connection to a PC or other device, a port connecting the switch to a Cisco IP Phone can carry mixed traffic. You can configure a port to determine how the IP phone carries voice traffic and data traffic.

This section includes these topics:

- [Configuring IP Phone Voice Traffic, page 15-4](#)
- [Configuring the Priority of Incoming Data Frames, page 15-5](#)

Configuring IP Phone Voice Traffic

You can configure a port connected to the Cisco IP Phone to send CDP packets to the phone to configure the way in which the phone sends voice traffic. The phone can carry voice traffic in 802.1Q frames for a specified voice VLAN with a Layer 2 CoS value. It can use 802.1p priority tagging to give voice traffic a higher priority and forward all voice traffic through the native (access) VLAN. The IP phone can also send untagged voice traffic or use its own configuration to send voice traffic in the access VLAN. In all configurations, the voice traffic carries a Layer 3 IP precedence value (the default is 5).

Beginning in privileged EXEC mode, follow these steps to configure voice traffic on a port:

	Command	Purpose
Step 1	<code>configure terminal</code>	Enter global configuration mode.
Step 2	<code>interface interface-id</code>	Enter interface configuration mode, and specify the interface connected to the IP phone.

	Command	Purpose
Step 3	mls qos trust cos	Configure the interface to classify ingress traffic packets by using the packet CoS value. For untagged packets, the port default CoS value is used. Note Before configuring the port trust state, you must first globally enable QoS by using the mls qos global configuration command.
Step 4	switchport voice vlan { <i>vlan-id</i> dot1p none untagged }	Configure how the Cisco IP Phone carries voice traffic: <ul style="list-style-type: none"> • vlan-id—Configure the Cisco IP Phone to forward all voice traffic through the specified VLAN. By default, the Cisco IP Phone forwards the voice traffic with an 802.1Q priority of 5. Valid VLAN IDs are from 1 to 4094. • dot1p—Configure the Cisco IP Phone to use 802.1p priority tagging for voice traffic and to use the default native VLAN (VLAN 0) to carry all traffic. By default, the Cisco IP Phone forwards the voice traffic with an 802.1p priority of 5. • none—Allow the IP phone to use its own configuration to send untagged voice traffic. • untagged—Configure the phone to send untagged voice traffic.
Step 5	end	Return to privileged EXEC mode.
Step 6	show interfaces <i>interface-id</i> switchport or show running-config interface <i>interface-id</i>	Verify your voice VLAN entries. Verify your QoS and voice VLAN entries.
Step 7	copy running-config startup-config	(Optional) Save your entries in the configuration file.

This example shows how to configure a port connected to an IP phone to use the CoS value to classify ingress traffic, to use 802.1p priority tagging for voice traffic, and to use and the default native VLAN (VLAN 0) to carry all traffic:

```
Switch# configure terminal
Enter configuration commands, one per line. End with CNTL/Z.
Switch(config)# interface gigabitethernet1/0/1
Switch(config-if)# mls qos trust cos
Switch(config-if)# switchport voice vlan dot1p
Switch(config-if)# end
```

To return the port to its default setting, use the **no switchport voice vlan** interface configuration command.

Configuring the Priority of Incoming Data Frames

You can connect a PC or other data device to a Cisco IP Phone port. To process tagged data traffic (in 802.1Q or 802.1p frames), you can configure the switch to send CDP packets to instruct the IP phone how to send data packets from the device attached to the access port on the Cisco IP Phone. The PC can generate packets with an assigned CoS value. You can configure the Cisco IP Phone to not change (trust) or to override (not trust) the priority of frames arriving on the IP phone port from connected devices.

Beginning in privileged EXEC mode, follow these steps to set the priority of data traffic received from the nonvoice port on the Cisco IP Phone:

	Command	Purpose
Step 1	configure terminal	Enter global configuration mode.
Step 2	interface <i>interface-id</i>	Enter interface configuration mode, and specify the interface connected to the IP phone.
Step 3	switchport priority extend { <i>cos value</i> trust }	Set the priority of data traffic received from the IP phone access port: <ul style="list-style-type: none"> • cos value—Configure the IP phone to override the priority received from the PC or the attached device with the specified CoS value. The value is a number from 0 to 7, with 7 as the highest priority. The default priority is cos 0. • trust—Configure the IP phone access port to trust the priority received from the PC or the attached device.
Step 4	end	Return to privileged EXEC mode.
Step 5	show interfaces <i>interface-id</i> switchport	Verify your entries.
Step 6	copy running-config startup-config	(Optional) Save your entries in the configuration file.

This example shows how to configure a port connected to an IP phone to not change the priority of frames received from the PC or the attached device:

```
Switch# configure terminal
Enter configuration commands, one per line. End with CNTL/Z.
Switch(config)# interface gigabitethernet1/0/1
Switch(config-if)# switchport priority extend trust
Switch(config-if)# end
```

To return the port to its default setting, use the **no switchport priority extend** interface configuration command.

Displaying Voice VLAN

To display voice VLAN configuration for an interface, use the **show interfaces interface-id switchport** privileged EXEC command.