



Installing IEC Rack Mounting Brackets on the ONS 15454 SDH Shelf Assembly

Product Name: 15454E-19IEC-KIT=

This document provides installation procedures for installing mounting brackets on the ONS 15454 SDH shelf, to allow the shelf assembly to be installed in a 19- inch IEC rack (IEC-297-1). Use this document in conjunction with the *Cisco ONS 15454 SDH Procedure Guide*.

This document contains the following sections:

- [“IEC Rack Kit” section on page -1](#)
- [“Install the Mounting Brackets” section on page -1](#)
- [“Related Documentation” section on page -4](#)
- [“Obtaining Documentation and Submitting a Service Request” section on page -4](#)

This document contains the following procedures:

[“Install the Mounting Brackets” procedure on page -1](#)

IEC Rack Kit

The IEC rack mounting kit for the ONS 15454 SDH shelf includes the following items.

- IEC-297 Compatible 19 in. brackets (2)
- Pan Head M4.0 x 8mm mounting screws (12)

Install the Mounting Brackets

To perform this procedure you will need the IEC rack mounting kit and a Phillips screwdriver.

-
- Step 1** Verify that your shelf assembly is equipped with the low profile IEC rack compatible fiber guides.
- Step 2** If necessary, replace the fiber guides with new guides from kit 15454E-19FGD-KIT=.



Corporate Headquarters:
Cisco Systems, Inc., 170 West Tasman Drive, San Jose, CA 95134-1706 USA

Copyright © 2004 Cisco Systems, Inc. All rights reserved.

- Step 3** Align the mounting bracket screw holes against the shelf assembly screw holes according to [Figure 1](#), depending on whether you want to mount the shelf at the front or the center of the equipment rack. When aligned properly the mounting flange will be 38 mm from the front edge of the shelf assembly when front mounted ([Figure 2](#)) and 114.5 mm when center mounted ([Figure 3](#)).
- Step 4** Use a Phillips screwdriver to install the six screws and tighten.
- Step 5** Repeat for the other side of the assembly.

Figure 1 Bracket Mounting Holes

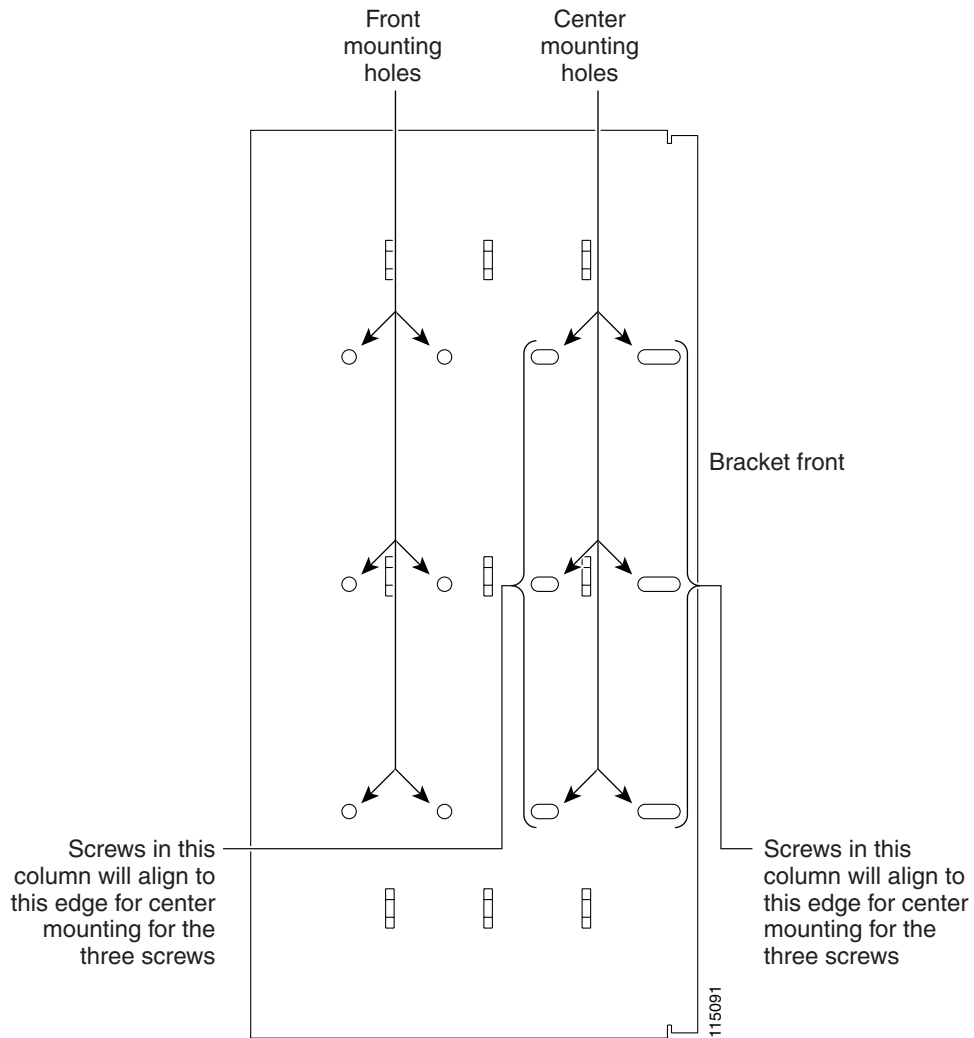
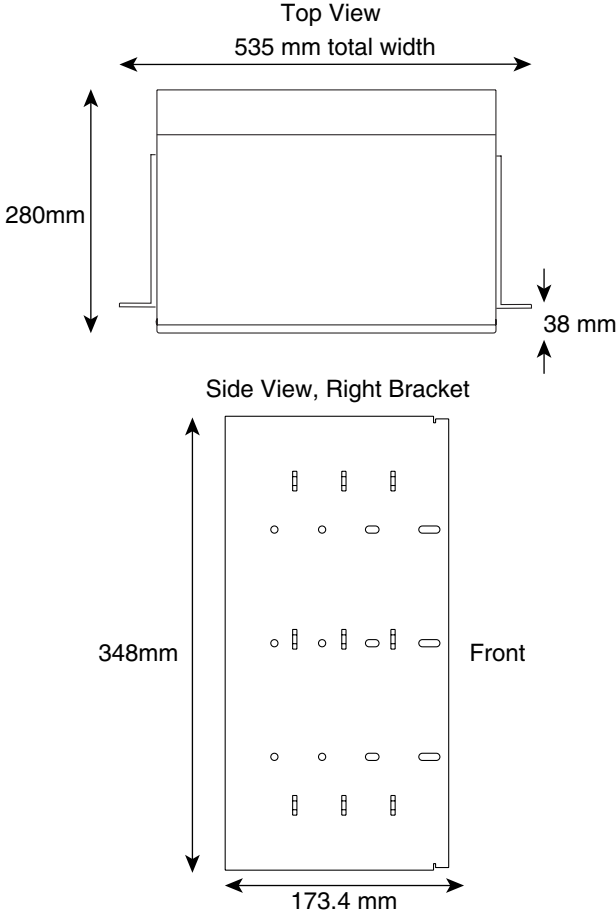
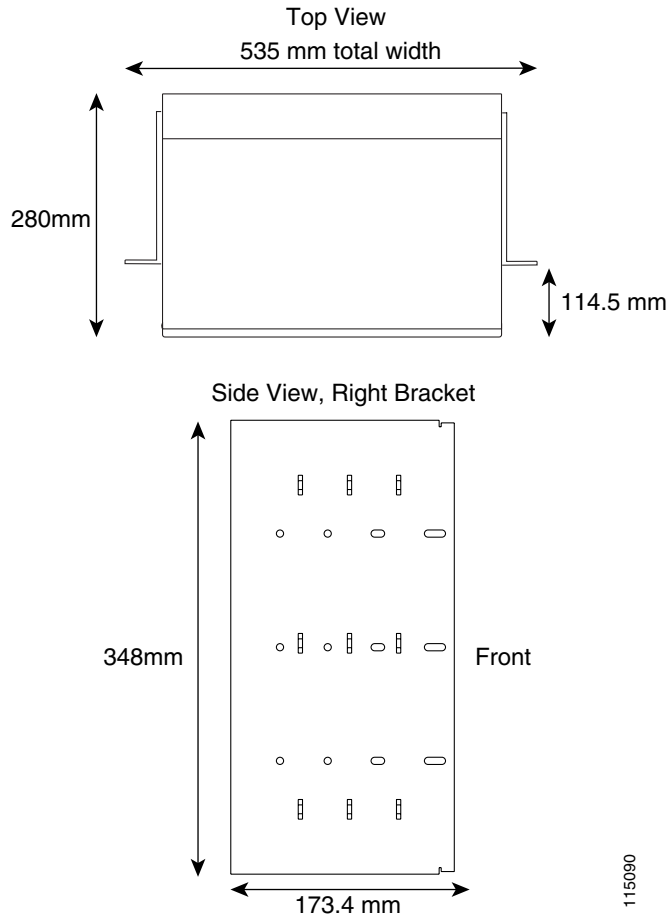


Figure 2 Positioning the Mounting Brackets for Front Mounting



96687

Figure 3 Positioning the Mounting Brackets for Center Mounting



Refer to the *Cisco ONS 15454 SDH Procedure Guide* for procedures to install the shelf assembly in a rack.

Related Documentation

- *Cisco ONS 15454 SDH Procedure Guide*
- *Cisco ONS 15454 SDH Troubleshooting Guide*
- *Cisco ONS 15454 SDH Reference Manual*

Obtaining Documentation and Submitting a Service Request

For information on obtaining documentation, submitting a service request, and gathering additional information, see the monthly *What's New in Cisco Product Documentation*, which also lists all new and revised Cisco technical documentation, at:

<http://www.cisco.com/en/US/docs/general/whatsnew/whatsnew.html>

Subscribe to the *What's New in Cisco Product Documentation* as an RSS feed and set content to be delivered directly to your desktop using a reader application. The RSS feeds are a free service. Cisco currently supports RSS Version 2.0.

This document is to be used in conjunction with the documents listed in the [“Related Documentation”](#) section.

CCVP, the Cisco logo, and Welcome to the Human Network are trademarks of Cisco Systems, Inc.; Changing the Way We Work, Live, Play, and Learn is a service mark of Cisco Systems, Inc.; and Access Registrar, Aironet, Catalyst, CCDA, CCDP, CCIE, CCIP, CCNA, CCNP, CCSP, Cisco, the Cisco Certified Internetwork Expert logo, Cisco IOS, Cisco Press, Cisco Systems, Cisco Systems Capital, the Cisco Systems logo, Cisco Unity, Enterprise/Solver, EtherChannel, EtherFast, EtherSwitch, Fast Step, Follow Me Browsing, FormShare, GigaDrive, HomeLink, Internet Quotient, IOS, iPhone, IP/TV, iQ Expertise, the iQ logo, iQ Net Readiness Scorecard, iQuick Study, LightStream, Linksys, MeetingPlace, MGX, Networkers, Networking Academy, Network Registrar, PIX, ProConnect, ScriptShare, SMARTnet, StackWise, The Fastest Way to Increase Your Internet Quotient, and TransPath are registered trademarks of Cisco Systems, Inc. and/or its affiliates in the United States and certain other countries.

All other trademarks mentioned in this document or Website are the property of their respective owners. The use of the word partner does not imply a partnership relationship between Cisco and any other company. (0711R)

Copyright © 2004, Cisco Systems, Inc.
All rights reserved.

