



Performance Monitoring

Performance monitoring (PM) parameters are used by service providers to gather, store, set thresholds, and report performance data for early detection of problems. In this chapter, PM parameters and concepts are defined for electrical cards, Ethernet cards, and optical cards in the Cisco ONS 15454 SDH.

For information about enabling and viewing PM values, refer to the *Cisco ONS 15454 SDH Procedure Guide*.

Chapter topics include:

- [15.1 Threshold Performance Monitoring, page 15-1](#)
- [15.2 Intermediate-Path Performance Monitoring, page 15-3](#)
- [15.3 Pointer Justification Count Performance Monitoring, page 15-4](#)
- [15.4 Performance Monitoring Parameter Definitions, page 15-4](#)
- [15.5 Performance Monitoring for Electrical Cards, page 15-14](#)
- [15.6 Performance Monitoring for Ethernet Cards, page 15-19](#)
- [15.7 Performance Monitoring for Optical Cards, page 15-31](#)
- [15.8 Performance Monitoring for the Fiber Channel Card, page 15-41](#)



Note

For information on PM parameters for Transponder and Muxponder cards, and DWDM cards, refer to Cisco ONS 15454 DWDM Reference Manual.



Note

For additional information regarding PM parameters, refer to ITU G.826, and Telcordia documents GR-820-CORE, GR-499-CORE, and GR-253-CORE.

15.1 Threshold Performance Monitoring

Thresholds are used to set error levels for each PM parameter. You can set individual PM threshold values from the Cisco Transport Controller (CTC) card view Provisioning tab. For procedures on provisioning card thresholds, such as line, path, and SDH thresholds, refer to the *Cisco ONS 15454 SDH Procedure Guide*.

During the accumulation cycle, if the current value of a performance monitoring parameter reaches or exceeds its corresponding threshold value, a threshold crossing alert (TCA) is generated by the node and displayed by CTC. TCAs provide early detection of performance degradation. When a threshold is crossed, the node continues to count the errors during a given accumulation period. If 0 is entered as the threshold value, the performance monitoring parameter is disabled.

When TCAs occur, CTC displays them. An example is T-UASP-P in the **Cond** column, where the “T-” indicates a threshold crossing (Figure 15-1). In addition, for certain electrical cards, “RX” or “TX” is appended to the TCA description, as shown (see red circles). The RX indicates that the TCA is associated with the receive direction, and TX indicates the TCA is associated with the transmit direction.

Figure 15-1 TCAs Displayed in CTC

Object	Port	Path	Wid...	Sev	ST	SA	Cond	Description
FAC-16-2	2			NA	T		T-UASP-P	PM NEAR 15MIN TX TCA, threshold=10, current value= 1...
FAC-16-2	2			NA	T		T-SES-L	PM NEAR 15MIN TX TCA, threshold=10, current value= 1...
FAC-16-2	2			NA	T		T-ES-L	PM NEAR 15MIN TX TCA, threshold=65, current value= 1...
FAC-16-1	1			NA	T		T-UASP-P	PM NEAR 15MIN TX TCA, threshold=2, current value= 87
FAC-16-1	1			NA	T		T-SES-L	PM NEAR 15MIN TX TCA, threshold=10, current value= 87
FAC-16-1	1			NA	T		T-ES-L	PM NEAR 15MIN TX TCA, threshold=65, current value= 87
FAC-16-1	1			NA	T		T-ES-L	PM NEAR 15MIN RX TCA, threshold=65, current value= 65
FAC-16-2	2			NA	T		T-ES-L	PM NEAR 15MIN RX TCA, threshold=65, current value= 65
FAC-16-1	1			NA	T		T-UASP-P	PM NEAR 15MIN RX TCA, threshold=2, current value= 10
FAC-16-1	1			NA	T		T-LOSS-L	PM NEAR 15MIN RX TCA, threshold=10, current value= 10
FAC-16-1	1			NA	T		T-SES-L	PM NEAR 15MIN RX TCA, threshold=10, current value= 10
FAC-16-2	2			MN	R		LOS	Loss Of Signal
FAC-16-1	1			MN	R		LOS	Loss Of Signal

The ONS 15454 SDH electrical cards for which RX and TX are detected and appended to the TCA descriptions are shown in Table 15-1.

Table 15-1 Electrical Cards that Report RX and TX Direction for TCAs

Card	Line				Path			
	Near End		Far End		Near End		Far End	
	RX	TX	RX	TX	RX	TX	RX	TX
E1-42	YES	—	—	—	YES	YES	—	—

**Note**

Due to limitations of memory and the number of TCAs generated by different platforms, you can manually add or modify the following two properties to their property file (CTC.INI for Windows and .cterc for UNIX) to fit the need:

ctc.15xxx.node.tr.lowater=yyy (where xxx is the platform and yyy is the number of the lowater mark. The default lowater mark is 25.)

ctc.15xxx.node.tr.hiwater=yyy (where xxx is the platform and yyy is the number of the hiwater mark. The default hiwater mark is 50.)

If the number of incoming TCA is greater than the hiwater mark, it will keep the latest lowater mark and discard older ones.

Change the threshold if the default value does not satisfy your error monitoring needs. For example, customers with a critical E1 installed for 911 calls must guarantee the best quality of service on the line; therefore, they lower all thresholds so that the slightest error raises a TCA.

15.2 Intermediate-Path Performance Monitoring

Intermediate-path performance monitoring (IPPM) allows transparent monitoring of a constituent channel of an incoming transmission signal by a node that does not terminate that channel. Many large ONS 15454 SDH networks only use line terminating equipment (LTE), not path terminating equipment (PTE). [Table 15-2](#) shows ONS 15454 SDH cards that are considered LTE.

Table 15-2 Line Terminating Equipment (LTE)

Electrical LTE	
STM1E-12	—
Optical LTE	
OC3 IR 4/STM1 SH 1310	OC3 IR/STM1 SH 1310-8
OC12 IR/STM4 SH1310	OC12 LR/STM4 LH1310
OC12 LR/STM4 LH 1550	OC12 IR/STM4 SH 1310-4
OC48 IR/STM16 SH AS 1310	OC48 LR/STM16 LH AS 1550
OC48 ELR/STM16 EH 100 GHz	OC192 SR/STM64 IO 1310
OC192 IR/STM64 SH 1550	OC192 LR/STM64 LH 1550
OC192 LR/STM64 LH ITU 15xx.xx	—

Software Release 3.0 (R3.0) and later allow LTE cards to monitor near-end PM data on individual high-order paths by enabling IPPM. After enabling IPPM provisioning on the line card, service providers can monitor high-order paths that are configured in pass-through mode on an ONS 15454 SDH operating in SDH AU4 mode, thus making troubleshooting and maintenance activities more efficient.

IPPM occurs only on high-order paths that have IPPM enabled, and TCAs are raised only for PM parameters on the IPPM enabled paths. The monitored IPPM parameters are HP-EB, HP-BBE, HP-ES, HP-SES, HP-UAS, HP-ESR, HP-SESR, and HP-BBER.

**Note**

The E1 card and STM-1 card can monitor far-end IPPM. For all other cards listed in [Table 15-2](#), far-end IPPM is not supported. However, SDH path PM parameters can be monitored by logging into the far-end node directly.

The ONS 15454 SDH performs IPPM by examining the overhead in the monitored path and by reading all of the near-end path PM values in the incoming direction of transmission. The IPPM process allows the path signal to pass bidirectionally through the node completely unaltered.

For detailed information about specific IPPM parameters, locate the card name in the following sections and review the appropriate definition.

15.3 Pointer Justification Count Performance Monitoring

Pointers are used to compensate for frequency and phase variations. Pointer justification counts indicate timing errors on SDH networks. When a network is out of synchronization, jitter and wander occur on the transported signal. Excessive wander can cause terminating equipment to slip.

Slips cause different effects in service. Voice service has intermittent audible clicks. Compressed voice technology has short transmission errors or dropped calls. Fax machines lose scanned lines or experience dropped calls. Digital video transmission has distorted pictures or frozen frames. Encryption service loses the encryption key causing data to be transmitted again.

Pointers provide a way to align the phase variations in VC4 payloads. The VC4 payload pointer is located in the H1 and H2 bytes of the AU pointers section and is a count of the number of bytes the VC4 path overhead (POH) J1 byte is away from the H3 byte, not including the section overhead bytes. Clocking differences are measured by the offset in bytes from the pointer to the first byte of the VC4 POH called the J1 byte. Clocking differences that exceed the normal range of 0 to 782 can cause data loss.

There are positive (PPJC) and negative (NPJC) pointer justification count parameters. PPJC is a count of path-detected (PPJC-Pdet) or path-generated (PPJC-Pgen) positive pointer justifications. NPJC is a count of path-detected (NPJC-Pdet) or path-generated (NPJC-Pgen) negative pointer justifications depending on the specific PM name.

A consistent pointer justification count indicates clock synchronization problems between nodes. A difference between the counts means the node transmitting the original pointer justification has timing variations with the node detecting and transmitting this count. Positive pointer adjustments occur when the frame rate of the POH is too slow in relation to the rate of the VC4.

You must enable PPJC and NPJC performance monitoring parameters for LTE cards. See [Table 15-2 on page 15-3](#) for a list of Cisco ONS 15454 SDH LTE cards. In CTC, the count fields for PPJC and NPJC PM parameters appear white and blank unless they are enabled on the card view Provisioning tab.

For detailed information about specific pointer justification count PM parameters, locate the card name in the following sections and review the appropriate definition.

15.4 Performance Monitoring Parameter Definitions

[Table 15-3](#) gives definitions for each type of performance monitoring parameter found in this chapter.

Table 15-3 Performance Monitoring Parameters

Parameter	Definition
AISS-P	AIS Seconds Path (AISS-P) is a count of one-second intervals containing one or more alarm indication signal (AIS) defects.
BBE	Path Background Block Error (BBE) is an errored block not occurring as part of a severely errored second (SES).
BBE-PM	Path Monitoring Background Block Errors (BBE-PM) indicates the number of background block errors recorded in the optical transfer network (OTN) path during the PM time interval.
BBER	Path Background Block Error Ratio (BBER) is the ratio of BBE to total blocks in available time during a fixed measurement interval. The count of total blocks excludes all blocks during SESs.
BBER-PM	Path Monitoring Background Block Errors Ratio (BBER-PM) indicates the background block errors ratio recorded in the OTN path during the PM time interval.
BBER-SM	Section Monitoring Background Block Errors Ratio (BBER-SM) indicates the background block errors ratio recorded in the OTN section during the PM time interval.
BBE-SM	Section Monitoring Background Block Errors (BBE-SM) indicates the number of background block errors recorded in the optical transport network (OTN) section during the PM time interval.
BIE	The number of bit errors (BIE) corrected in the dense wavelength division multiplexing (DWDM) trunk line during the PM time interval.
BIEC	The number of Bit Errors Corrected (BIEC) in the DWDM trunk line during the PM time interval.
CGV	Code Group Violations (CGV) is a count of received code groups that do not contain a start or end delimiter.
CVCP-P	Code Violation Path (CVCP-P) is a count of CP-bit parity errors occurring in the accumulation period.
CVCP-PFE	Code Violation (CVCP-PFE) is a parameter that is counted when the three far-end block error (FEBE) bits in a M-frame are not all collectively set to 1.
CV-L	Code Violation Line (CV-L) indicates the number of coding violations occurring on the line. This parameter is a count of BPVs and EXZs occurring over the accumulation period.
CVP-P	Code Violation Path (CVP-P) is a code violation parameter for M23 applications. CVP-P is a count of P-bit parity errors occurring in the accumulation period.
DCG	Date Code Groups (DCG) is a count of received data code groups that do not contain ordered sets.
EB	Path Errored Block (EB) indicates that one or more bits are in error within a block.
ES	Path Errored Second (ES) is a one-second period with one or more errored blocks or at least one defect.

Table 15-3 Performance Monitoring Parameters (continued)

Parameter	Definition
ESCP-P	Errored Second Path (ESCP-P) is a count of seconds containing one or more CP-bit parity errors, one or more severely errored framing (SEF) defects, or one or more AIS defects. ESCP-P is defined for the C-bit parity application.
ESCP-PFE	Far-End Errored Second CP-bit Path (ESCP-PFE) is a count of one-second intervals containing one or more M-frames with the three FEBE bits not all collectively set to 1 or one or more far-end SEF/AIS defects.
ES-L	Errored Seconds Line (ES-L) is a count of the seconds containing one or more anomalies (BPV + EXZ) and/or defects (loss of signal) on the line.
ES-P	Path Errored Second (ES-P) is a one-second period with at least one defect.
ES-PM	Path Monitoring Errored Seconds (ES-PM) indicates the errored seconds recorded in the OTN path during the PM time interval.
ESP-P	Errored Second Path (ESP-P) is a count of seconds containing one or more P-bit parity errors, one or more SEF defects, or one or more AIS defects.
ESR	Path Errored Second Ratio (ESR) is the ratio of errored seconds to total seconds in available time during a fixed measurement interval.
ESR-P	Path Errored Second Ratio (ESR-P) is the ratio of errored seconds to total seconds in available time during a fixed measurement interval.
ESR-PM	Path Monitoring Errored Seconds Ratio (ESR-PM) indicates the errored seconds ratio recorded in the OTN path during the PM time interval.
ESR-SM	Section Monitoring Errored Seconds Ratio (ESR-SM) indicates the errored seconds ratio recorded in the OTN section during the PM time interval.
ES-SM	Section Monitoring Errored Seconds (ES-SM) indicates the errored seconds recorded in the OTN section during the PM time interval.
FC-PM	Path Monitoring Failure Counts (FC-PM) indicates the failure counts recorded in the OTN path during the PM time interval.
FC-SM	Section Monitoring Failure Counts (FC-SM) indicates the failure counts recorded in the OTN section during the PM time interval.
HP-BBE	High-Order Path Background Block Error (HP-BBE) is an errored block not occurring as part of an SES.
HP-BBER	High-Order Path Background Block Error Ratio (HP-BBER) is the ratio of BBE to total blocks in available time during a fixed measurement interval. The count of total blocks excludes all blocks during SESs.
HP-EB	High-Order Path Errored Block (HP-EB) indicates that one or more bits are in error within a block.
HP-ES	High-Order Path Errored Second (HP-ES) is a one-second period with one or more errored blocks or at least one defect.
HP-ESR	High-Order Path Errored Second Ratio (HP-ESR) is the ratio of errored seconds to total seconds in available time during a fixed measurement interval.
HP-NPJC-Pdet	High-Order, Negative Pointer Justification Count, Path Detected (HP-NPJC-Pdet) is a count of the negative pointer justifications detected on a particular path on an incoming SDH signal.

Table 15-3 Performance Monitoring Parameters (continued)

Parameter	Definition
HP-NPJC-Pdet	High-Order Path Negative Pointer Justification Count, Path Detected (HP-NPJC-Pdet) is a count of the negative pointer justifications detected on a particular path on an incoming SDH signal.
HP-NPJC-Pgen	High-Order, Negative Pointer Justification Count, Path Generated (HP-NPJC-Pgen) is a count of the negative pointer justifications generated for a particular path.
HP-PJCDiff	High-Order Path Pointer Justification Count Difference (HP-PJCDiff) is the absolute value of the difference between the total number of detected pointer justification counts and the total number of generated pointer justification counts. That is, HP-PJCDiff is equal to $(HP-PPJC-PGen - HP-NPJC-PGen) - (HP-PPJC-PDet - HP-NPJC-PDet)$.
HP-PJCS-Pdet	High-Order Path Pointer Justification Count Seconds (HP-PJCS-PDet) is a count of the one-second intervals containing one or more HP-PPJC-PDet or HP-NPJC-PDet.
HP-PJCS-Pgen	High-Order Path Pointer Justification Count Seconds (HP-PJCS-PGen) is a count of the one-second intervals containing one or more HP-PPJC-PGen or HP-NPJC-PGen.
HP-PPJC-Pdet	High-Order, Positive Pointer Justification Count, Path Detected (HP-PPJC-Pdet) is a count of the positive pointer justifications detected on a particular path on an incoming SDH signal.
HP-PPJC-Pgen	High-Order, Positive Pointer Justification Count, Path Generated (HP-PPJC-Pgen) is a count of the positive pointer justifications generated for a particular path.
HP-SES	High-Order Path Severely Errored Seconds (HP-SES) is a one-second period containing 30 percent or more errored blocks or at least one defect. SES is a subset of ES.
HP-SESR	High-Order Path Severely Errored Second Ratio (HP-SESR) is the ratio of SES to total seconds in available time during a fixed measurement interval.
HP-UAS	High-Order Path Unavailable Seconds (HP-UAS) is a count of the seconds when the VC path was unavailable. A high-order path becomes unavailable when ten consecutive seconds occur that qualify as HP-SESSs, and it continues to be unavailable until ten consecutive seconds occur that do not qualify as HP-SESSs.
IOS	Idle Ordered Sets (IOS) is a count of received packets containing idle ordered sets.
IPC	A count of received packets that contain errored data code groups that have start and end delimiters.
LBC-MIN	LBC-MIN is the minimum percentage of Laser Bias Current.
LBC-AVG	Laser Bias Current—Average (LBC-AVG) is the average percentage of laser bias current.
LBC-MAX	Laser Bias Current—Maximum (LBC-MAX) is the maximum percentage of laser bias current.
LBC-MIN	Laser Bias Current—Minimum (LBC-MIN) is the minimum percentage of laser bias current.

Table 15-3 Performance Monitoring Parameters (continued)

Parameter	Definition
LOSS-L	Line Loss of Signal Seconds (LOSS-L) is a count of one-second intervals containing one or more LOS defects.
LP-BBE	Low-Order Path Background Block Error (LP-BBE) is an errored block not occurring as part of an SES.
LP-BBER	Low-Order Path Background Block Error Ratio (LP-BBER) is the ratio of BBE to total blocks in available time during a fixed measurement interval. The count of total blocks excludes all blocks during SESs.
LP-EB	Low-Order Path Errored Block (LP-EB) indicates that one or more bits are in error within a block.
LP-ES	Low-Order Path Errored Second (LP-ES) is a one-second period with one or more errored blocks or at least one defect.
LP-ESR	Low-Order Path Errored Second Ratio (LP-ESR) is the ratio of errored seconds to total seconds in available time during a fixed measurement interval.
LP-SES	Low-Order Path Severely Errored Seconds (LP-SES) is a one-second period containing greater than or equal to 30 percent errored blocks or at least one defect. SES is a subset of ES.
LP-SESR	Low-Order Path Severely Errored Second Ratio (LP-SESR) is the ratio of SES to total seconds in available time during a fixed measurement interval.
LP-UAS	Low-Order Path Unavailable Seconds (LP-UAS) is a count of the seconds when the VC path was unavailable. A low-order path becomes unavailable when ten consecutive seconds occur that qualify as LP-SESs, and it continues to be unavailable until ten consecutive seconds occur that do not qualify as LP-SESs.
MS-BBE	Multiplex Section Background Block Error (MS-BBE) is an errored block not occurring as part of an SES.
MS-BBER	Multiplex Section Background Block Error Ratio (MS-BBER) is the ratio of BBE to total blocks in available time during a fixed measurement interval. The count of total blocks excludes all blocks during SESs.
MS-EB	Multiplex Section Errored Block (MS-EB) indicates that one or more bits are in error within a block.
MS-ES	Multiplex Section Errored Second (MS-ES) is a one-second period with one or more errored blocks or at least one defect.
MS-ESR	Multiplex Section Errored Second Ratio (MS-ESR) is the ratio of errored seconds to total seconds in available time during a fixed measurement interval.
MS-NPJC-Pgen	Multiplex Section Negative Pointer Justification Count, Path Generated (MS-NPJC-Pgen) is a count of the negative pointer justifications generated for a particular path.
MS-PPJC-Pgen	Multiplex Section Positive Pointer Justification Count, Path Generated (MS-PPJC-Pgen) is a count of the positive pointer justifications generated for a particular path.

Table 15-3 Performance Monitoring Parameters (continued)

Parameter	Definition
MS-PSC (1+1 protection)	<p>In a 1+1 protection scheme for a working card, Multiplex Section Protection Switching Count (MS-PSC) is a count of the number of times service switches from a working card to a protection card plus the number of times service switches back to the working card.</p> <p>For a protection card, MS-PSC is a count of the number of times service switches to a working card from a protection card plus the number of times service switches back to the protection card. The MS-PSC PM is only applicable if revertive line-level protection switching is used.</p>
MS-PSC ¹ (MS-SPRing)	<p>For a protect line in a two-fiber multiplex section-shared protection ring (MS-SPRing), Multiplex Section Protection Switching Count (MS-PSC) refers to the number of times a protection switch has occurred either to a particular span's line protection or away from a particular span's line protection. Therefore, if a protection switch occurs on a two-fiber MS-SPRing, the MS-PSC of the protection span to which the traffic is switched will increment, and when the switched traffic returns to its original working span from the protect span, the MS-PSC of the protect span will increment again.</p>
MS-PSC-R ¹	<p>In a four-fiber MS-SPRing, Multiplex Section Protection Switching Count-Ring (MS-PSC-R) is a count of the number of times service switches from a working line to a protection line plus the number of times it switches back to a working line. A count is only incremented if ring switching is used.</p>
MS-PSC-S	<p>In a four-fiber MS-SPRing, Multiplex Section Protection Switching Count-Span (MS-PSC-S) is a count of the number of times service switches from a working line to a protection line plus the number of times it switches back to the working line. A count is only incremented if span switching is used.</p>
MS-PSC-W	<p>For a working line in a two-fiber MS-SPRing, Multiplex Section Protection Switching Count-Working (MS-PSC-W) is a count of the number of times traffic switches away from the working capacity in the failed line and back to the working capacity after the failure is cleared. MS-PSC-W increments on the failed working line and MS-PSC increments on the active protect line.</p> <p>For a working line in a four-fiber MS-SPRing, MS-PSC-W is a count of the number of times service switches from a working line to a protection line plus the number of times it switches back to the working line. MS-PSC-W increments on the failed line and MS-PSC-R or MS-PSC-S increments on the active protect line.</p>
MS-PSD	<p>Multiplex Section Protection Switching Duration (MS-PSD) applies to the length of time, in seconds, that service is carried on another line. For a working line, MS-PSD is a count of the number of seconds that service was carried on the protection line.</p> <p>For the protection line, MS-PSD is a count of the seconds that the line was used to carry service. The MS-PSD PM is only applicable if revertive line-level protection switching is used. MS-PSD increments on the active protect line and MS-PSD-W increments on the failed working line.</p>

Table 15-3 Performance Monitoring Parameters (continued)

Parameter	Definition
MS-PSD-R	In a four-fiber MS-SPRing, Multiplex Section Protection Switching Duration-Ring (MS-PSD-R) is a count of the seconds that the protection line was used to carry service. A count is only incremented if ring switching is used.
MS-PSD-S	In a four-fiber MS-SPRing, Multiplex Section Protection Switching Duration-Span (MS-PSD-S) is a count of the seconds that the protection line was used to carry service. A count is only incremented if span switching is used.
MS-PSD-W	For a working line in a two-fiber MS-SPRing, Multiplex Section Protection Switching Duration-Working (MS-PSD-W) is a count of the number of seconds that service was carried on the protection line. MS-PSD-W increments on the failed working line and PSD increments on the active protect line.
MS-SES	Multiplex Section Severely Errored Second (MS-SES) is a one-second period which contains 30 percent or more errored blocks or at least one defect. SES is a subset of ES. For more information, refer to ITU-T G.829 Section 5.1.3.
MS-SESR	Multiplex Section Severely Errored Second ratio (MS-SESR) is the ratio of SES to total seconds in available time during a fixed measurement interval.
MS-UAS	Multiplex Section Unavailable Seconds (MS-UAS) is a count of the seconds when the section was unavailable. A section becomes unavailable when ten consecutive seconds occur that qualify as MS-SESs, and it continues to be unavailable until ten consecutive seconds occur that do not qualify as MS-SESs. When the condition is entered, MS-SESs decrement and then count toward MS-UAS.
NIOS	Non-Idle Ordered Sets (NIOS) is a count of received packets containing non-idle ordered sets.
OPR	Optical Power Received (OPR) is the measure of average optical power received as a percentage of the nominal OPT.
OPR-AVG	Average Receive Optical Power (dBm).
OPR-MAX	Maximum Receive Optical Power (dBm).
OPR-MIN	Minimum Receive Optical Power (dBm).
OPT	Optical Power Transmitted (OPT) is the measure of average optical power transmitted as a percentage of the nominal OPT.
OPT-AVG	Average Transmit Optical Power (dBm).
OPT-MAX	Maximum Transmit Optical Power (dBm).
OPT-MIN	Minimum Transmit Optical Power (dBm).
RS-BBE	Regenerator Section Background Block Error (RS-BBE) is an errored block not occurring as part of an SES.
RS-BBER	Regenerator Section Background Block Error Ratio (RS-BBER) is the ratio of BBE to total blocks in available time during a fixed measurement interval. The count of total blocks excludes all blocks during SESs.

Table 15-3 Performance Monitoring Parameters (continued)

Parameter	Definition
RS-EB	Regenerator Section Errored Block (RS-EB) indicates that one or more bits are in error within a block.
RS-ES	Regenerator Section Errored Second (RS-ES) is a one-second period with one or more errored blocks or at least one defect.
RS-ESR	Regenerator Section Errored Second Ratio (RS-ESR) is the ratio of errored seconds to total seconds in available time during a fixed measurement interval.
RS-SES	Regenerator Section Severely Errored Second (RS-SES) is a one-second period which contains 30 percent or more errored blocks or at least one defect. SES is a subset of ES.
RS-SESR	Regenerator Section Severely Errored Second Ratio (RS-SESR) is the ratio of SES to total seconds in available time during a fixed measurement interval.
RS-UAS	Regenerator Section Unavailable Second (RS-UAS) is a count of the seconds when the regenerator section was unavailable. A section becomes unavailable when ten consecutive seconds occur that qualify as RS-UASs, and it continues to be unavailable until ten consecutive seconds occur that do not qualify as RS-UASs.
Rx AISS-P	Receive Path Alarm Indication Signal Seconds (AISS-P) means that an alarm indication signal occurred on the receive end of the path. This parameter is a count of seconds containing one or more AIS defects.
Rx BBE-P	Receive Path Background Block Error (BBE-P) is an errored block not occurring as part of an SES.
Rx EB-P	Receive Path Errored Block (EB-P) indicates that one or more bits are in error within a block.
Rx ES-P	Receive Path Errored Second (ES-P) is a one-second period with one or more errored blocks or at least one defect.
Rx ESR-P	Receive Path Errored Second Ratio (ESR-P) is the ratio of errored seconds to total seconds in available time during a fixed measurement interval.
Rx SES-P	Receive Path Severely Errored Seconds (SES-P) is a one-second period containing 30 percent or more errored blocks or at least one defect; SES is a subset of ES.
Rx SESR-P	Receive Path Severely Errored Second Ratio (SESR-P) is the ratio of SES to total seconds in available time during a fixed measurement interval.
Rx UAS-P	Receive Path Unavailable Seconds (UAS-P) is a count of one-second intervals when the E-1 path is unavailable on the signal receive end. The E-1 path is unavailable when ten consecutive SESs occur. The ten SESs are included in unavailable time. After the E-1 path becomes unavailable, it becomes available when ten consecutive seconds occur with no SESs. The ten seconds with no SESs are excluded from unavailable time.
Rx BBER-P	Receive Path Background Block Error Ratio (BBER-P) is the ratio of BBE to total blocks in available time during a fixed measurement interval. The count of total blocks excludes all blocks during SESs.

Table 15-3 Performance Monitoring Parameters (continued)

Parameter	Definition
SASCP-P	SEF/AIS Second (SASCP-P) is a count of one-second intervals containing one or more near-end SEF/AIS defects.
SASP-P	SEF/AIS Seconds Path (SASP-P) is a count of one-second intervals containing one or more SEFs or one or more AIS defects on the path.
SES	Severely Errored Seconds (SES) is a one-second period containing 30 percent or more errored blocks or at least one defect. SES is a subset of ES.
SESCP-P	Severely Errored Seconds CP-bit Path (SESCP-P) is a count of seconds containing more than 44 CP-bit parity errors, one or more SEF defects, or one or more AIS defects.
SESCP-PFE	Severely Errored Seconds CP-bit Path Far End (SESCP-PFE) is a count of one-second intervals containing one or more 44 M-frames with the three FEBE bits not all collectively set to 1, or with one or more far-end SEF/AIS defects.
SES-L	Severely Errored Seconds Line (SES-L) is a count of the seconds containing more than a particular quantity of anomalies ($BPV + EXZ \geq 44$) and/or defects on the line.
SES-P	Severely Errored Seconds Path (SES-P) is a one-second period containing at least one defect. SES-P is a subset of ES-P.
SES-PFE	Far-End Path Severely Errored Seconds (SES-PFE) is a one-second period containing at least one defect. SES-PFE is a subset of ES-PFE.
SES-PM	Path Monitoring Severely Errored Seconds (SES-PM) indicates the severely errored seconds recorded in the OTN path during the PM time interval.
SESP-P	Severely Errored Seconds Path (SESP-P) is a count of seconds containing more than 44 P-bit parity violations, one or more SEF defects, or one or more AIS defects.
SESR-P	Path Severely Errored Second Ratio (SESR-P) is the ratio of SES to total seconds in available time during a fixed measurement interval.
SESR-PM	Path Monitoring Severely Errored Seconds Ratio (SESR-PM) indicates the severely errored seconds ratio recorded in the OTN path during the PM time interval.
SES-SM	Section Monitoring Severely Errored Seconds (SES-SM) indicates the severely errored seconds recorded in the OTN section during the PM time interval.
Tx AISS-P	Transmit Path Alarm Indication Signal (AISS-P) means that an alarm indication signal occurred on the transmit end of the path. This parameter is a count of seconds containing one or more AIS defects.
Tx BBE-P	Transmit Path Background Block Error (BBE-P) is an errored block not occurring as part of an SES.
Tx ES-P	Transmit Path Errored Second (ES-P) is a one-second period with one or more errored blocks or at least one defect.
Tx ESR-P	Transmit Path Errored Second Ratio (ESR-P) is the ratio of errored seconds to total seconds in available time during a fixed measurement interval.

Table 15-3 Performance Monitoring Parameters (continued)

Parameter	Definition
Tx SES-P	Transmit Path Severely Errored Seconds (SES-P) is a one-second period containing 30 percent or more errored blocks or at least one defect; SES is a subset of ES.
Tx SESR-P	Transmit Path Severely Errored Second Ratio (SESR-P) is the ratio of SES to total seconds in available time during a fixed measurement interval.
Tx UAS-P	Transmit Path Unavailable Seconds (UAS-P) is a count of one-second intervals when the E-1 path is unavailable on the transmit end of the signal. The E-1 path is unavailable when ten consecutive SESs occur. The ten SESs are included in unavailable time. After the E-1 path becomes unavailable, it becomes available when ten consecutive seconds occur with no SESs. The ten seconds with no SESs are excluded from unavailable time.
Tx BBER-P	Transmit Path Background Block Error Ratio (BBER-P) is the ratio of BBE to total blocks in available time during a fixed measurement interval. The count of total blocks excludes all blocks during SESs.
Tx EB-P	Transmit Path Errored Block (EB-P) indicates that one or more bits are in error within a block.
UAS	Path Unavailable Seconds (UAS) is a count of the seconds when the VC path was unavailable. A high-order path becomes unavailable when ten consecutive seconds occur that qualify as HP-SESs, and it continues to be unavailable until ten consecutive seconds occur that do not qualify as HP-SESs.
UASCP-P	Unavailable Seconds CP-bit Path (UASCP-P) is a count of one-second intervals when the DS-3 path is unavailable. A DS-3 path becomes unavailable when ten consecutive SESCO-Ps occur. The ten SESCO-Ps are included in unavailable time. After the DS-3 path becomes unavailable, it becomes available when ten consecutive seconds with no SESCO-Ps occur. The ten seconds with no SESCO-Ps are excluded from unavailable time.
UASCP-PFE	Unavailable Seconds CP-bit Far End Path (UASCP-PFE) is a count of one-second intervals when the DS-3 path becomes unavailable. A DS-3 path becomes unavailable when ten consecutive far-end CP-bit SESs occur. The ten CP-bit SESs are included in unavailable time. After the DS-3 path becomes unavailable, it becomes available when ten consecutive seconds occur with no CP-bit SESs. The ten seconds with no CP-bit SESs are excluded from unavailable time.
UAS-P	Path Unavailable Seconds (UAS-P) is a count of the seconds when the path was unavailable. A path becomes unavailable when ten consecutive seconds occur that qualify as P-SESs, and it continues to be unavailable until ten consecutive seconds occur that do not qualify as P-SESs.
UAS-PFE	Far-End Path Unavailable Seconds (UAS-PFE) is a count of the seconds when the path was unavailable. A path becomes unavailable when ten consecutive seconds occur that qualify as P-SESs, and it continues to be unavailable until ten consecutive seconds occur that do not qualify as P-SESs.
UAS-PM	Path Monitoring Unavailable Seconds (UAS-PM) indicates the unavailable seconds recorded in the OTN path during the PM time interval.

Table 15-3 Performance Monitoring Parameters (continued)

Parameter	Definition
UASP-P	Unavailable Second Path (UASP-P) is a count of one-second intervals when the DS-3 path is unavailable. A DS3 path becomes unavailable when ten consecutive SESP-Ps occur. The ten SESP-Ps are included in unavailable time. After the DS-3 path becomes unavailable, it becomes available when ten consecutive seconds with no SESP-Ps occur. The ten seconds with no SESP-Ps are excluded from unavailable time.
UAS-SM	Section Monitoring Unavailable Seconds (UAS-SM) indicates the unavailable seconds recorded in the OTN section during the PM time interval.
UNC-WORDS	The number of uncorrectable words detected in the DWDM trunk line during the PM time interval.
VPC	A count of received packets that contain non-errored data code groups that have start and end delimiters.

1. 4-fiber MS-SPRing is not supported on the STM-4 and STM4 SH 1310-4 cards; therefore, the MS-PSC-S and MS-PSC-R PM parameters do not increment.

15.5 Performance Monitoring for Electrical Cards

The following sections define performance monitoring parameters for the E1-N-14, E1-42, E3-12, and DS3i-N-12 electrical cards.

15.5.1 E1-N-14 Card and E1-42 Card Performance Monitoring Parameters

Figure 15-2 shows the signal types that support near-end and far-end PM parameters for the E1-N-14 card and the E1-42 card.

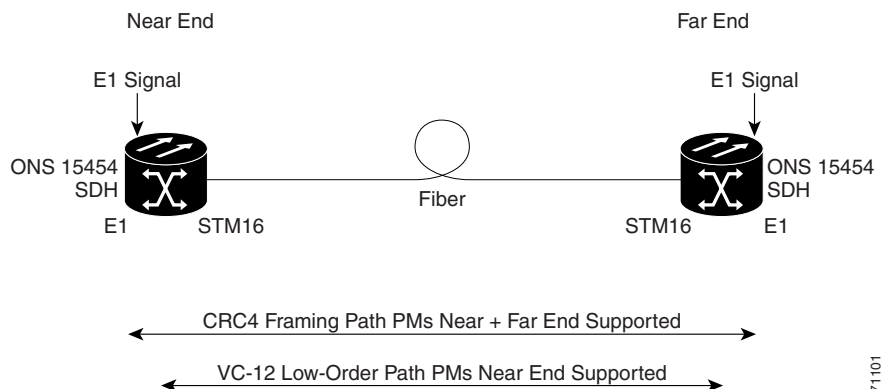
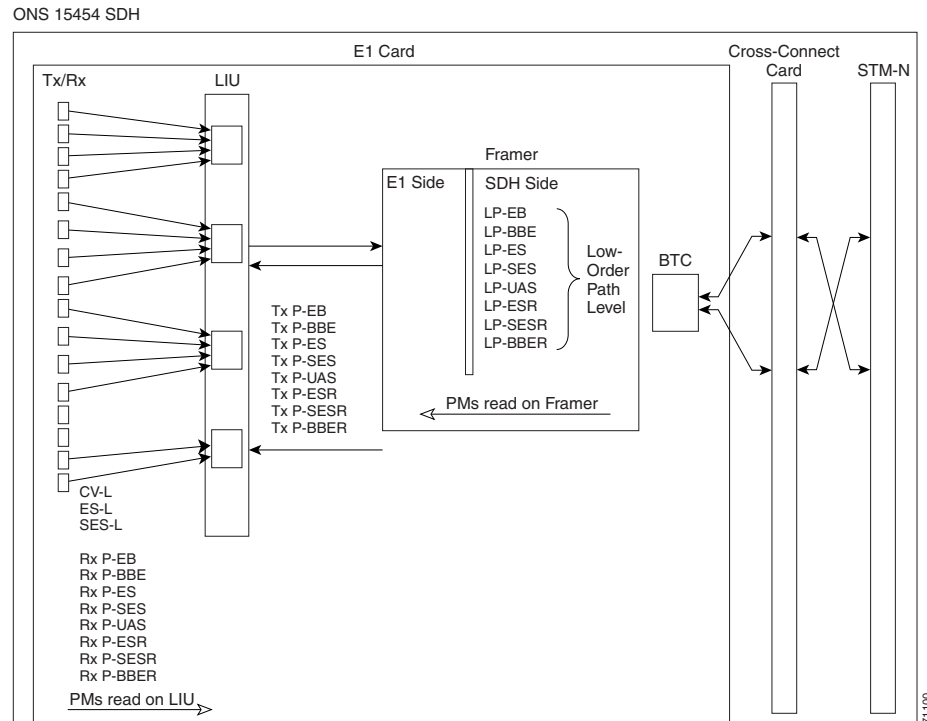
Figure 15-2 Monitored Signal Types for the E1-N-14 Card and E1-42 Card

Figure 15-3 shows where overhead bytes detected on the application-specific integrated circuits (ASICs) produce performance monitoring parameters for the E1-N-14 card.

**Note**

The E1-42 card uses the same PM read points. The only difference from Figure 15-3 is that the number of ports on the E1-42 equal 42.

Figure 15-3 PM Read Points on the E1-N-14 Card



The PM parameters for the E1-N-14 card and E1-42 card are listed in Table 15-4. The parameters are defined in Table 15-3 on page 15-5.

Table 15-4 PM Parameters for the E1-N-14 Card and E1-42 Card

Line (NE) ¹	Tx/Rx Path (NE) ^{2,3}	VC12 LP (NE/FE)	Tx/Rx Path (FE) ^{2,3}
CV-L	AISS-P	LP-EB	AISS-PFE
ES-L	BBE-P	LP-ES	BBE-PFE
SES-L	BBER-P	LP-SES	BBER-PFE
LOSS-L	EB-P	LP-UAS	EB-PFE
	ES-P	LP-BBE	ES-PFE
	ESR-P	LP-ESR	ESR-PFE
	SES-P	LP-SESR	SES-PFE
	SESR-P	LP-BBER	SESR-PFE
	UAS-P		UAS-PFE

- SDH path PMs do not increment unless IPPM is enabled. See the “15.2 Intermediate-Path Performance Monitoring” section on page 15-3.
- Transmit and receive CEPT and CRC4 framing path PM parameters for the near-end and far-end E1-N-14 and E1-42 cards.
- Under the Provisioning > Threshold tab, the E1-N-14 card and the E1-42 card have user-defined thresholds for the E-1 Rx path PM parameters. In the Threshold tab, they are displayed as EB, BBE, ES, SES, and UAS without the Rx prefix.

15.5.2 E3-12 Card Performance Monitoring Parameters

Figure 15-4 shows the signal types that support near-end and far-end PM parameters for the E3-12 card. Figure 15-5 shows where overhead bytes detected on the ASICs produce performance monitoring parameters for the E3-12 card.

Figure 15-4 Monitored Signal Types for the E3-12 Card

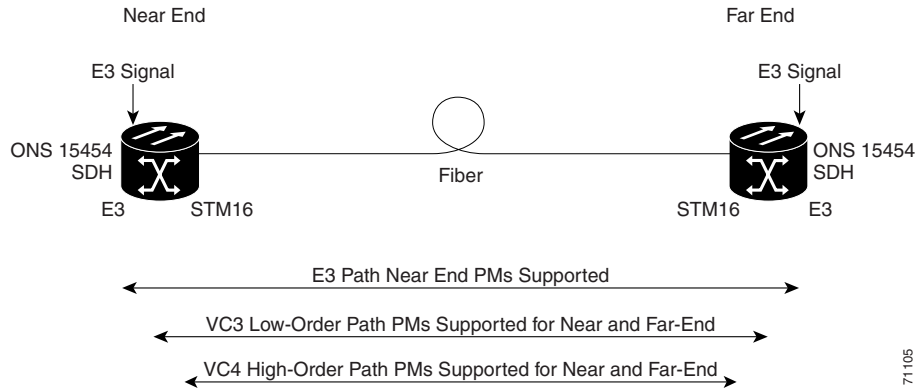
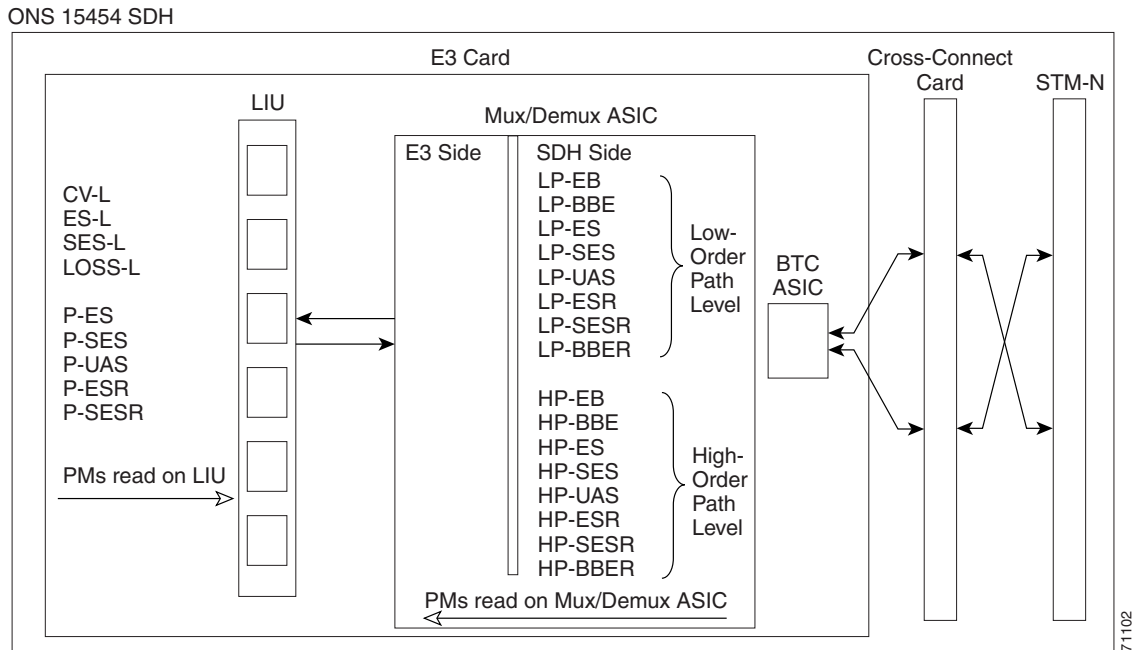


Figure 15-5 PM Read Points on the E3-12 Card



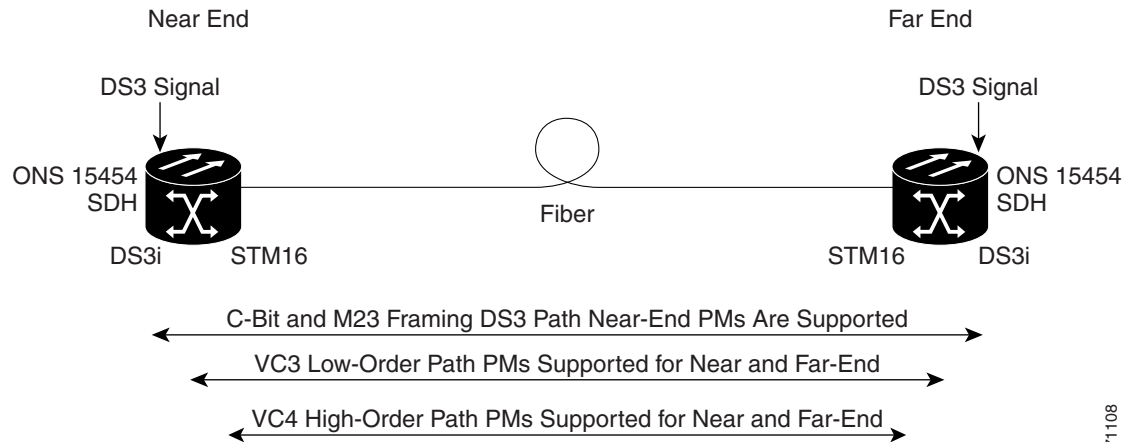
The PM parameters for the E3-12 card are listed in Table 15-5. The parameters are defined in Table 15-3 on page 15-5.

Table 15-5 PM Parameters for the E3-12 Card

Line (NE)	Path (NE)	VC3 Low-End Path (NE/FE)	VC4 HP Path (NE/FE)
CV-L	ES-P	LP-BBE	HP-BBE
ES-L	ESR-P	LP-BBER	HP-BBER
SES-L	SES-P	LP-EB	HP-EB
LOSS-L	SESR-P	LP-ES	HP-ES
	UAS-P	LP-ESR	HP-ESR
		LP-SES	HP-SES
		LP-SESR	HP-SESR
		LP-UAS	HP-UAS

15.5.3 DS3i-N-12 Card Performance Monitoring Parameters

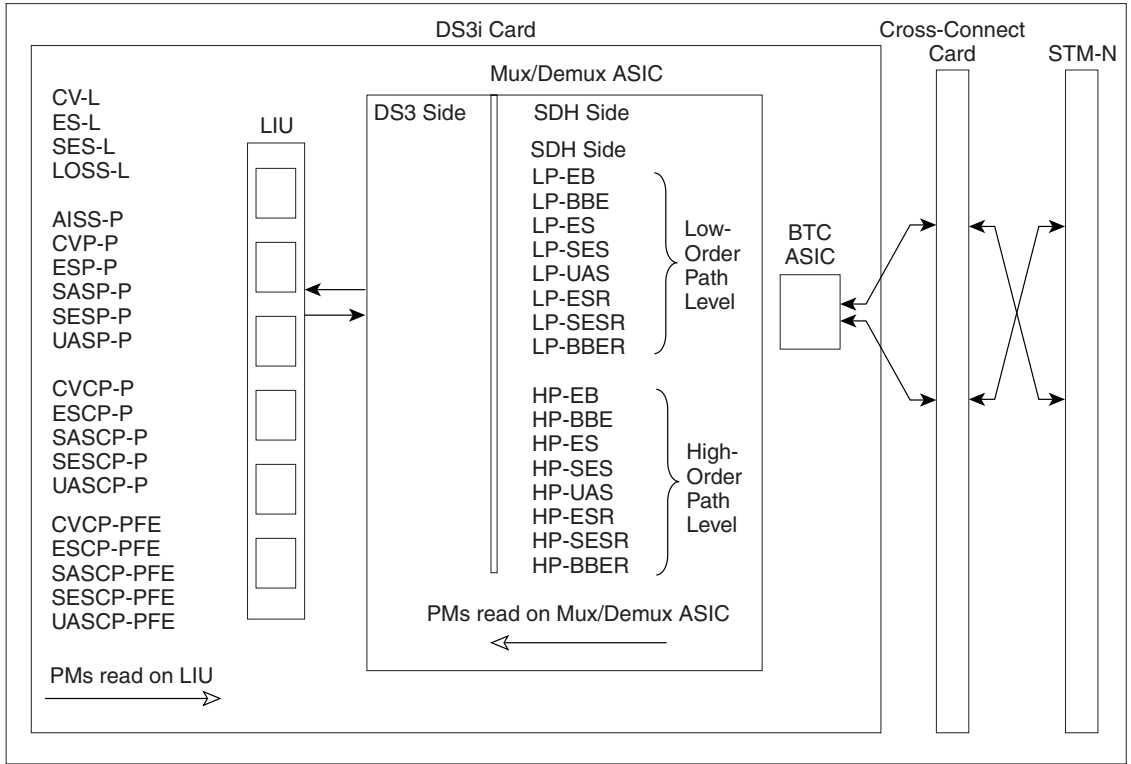
Figure 15-6 shows the signal types that support near-end and far-end PM parameters for the DS3i-N-12 card. Figure 15-7 shows where overhead bytes detected on the ASICs produce performance monitoring parameters for the DS3i-N-12 card.

Figure 15-6 Monitored Signal Types for the DS3i-N-12 Card

71108

Figure 15-7 PM Read Points on the DS3i-N-12 Card

ONS 15454 SDH



The PM parameters for the DS3i-N-12 card are listed in Table 15-6. The parameters are defined in Table 15-3 on page 15-5.

Table 15-6 DS3i-N-12 Card PMs

Line (NE)	Path (NE) ^{1,2}	Path (FE) ^{1,2}	VC3 Low-End Path (NE/FE)	VC4 HP Path (NE/FE)
CV-L	AISS-P	CVCP-PFE	LP-BBE	HP-BBE
ES-L	CVP-P	ESCP-PFE	LP-BBER	HP-BBER
SES-L	ESP-P	SASCP-PFE	LP-EB	HP-EB
LOSS-L	SASP-P ³	SESCP-PFE	LP-ES	HP-ES
	SESP-P	UASCP-PFE	LP-ESR	HP-ESR
	UASP-P		LP-SES	HP-SES
	CVCP-P		LP-SESR	HP-SESR
	ESCP-P		LP-UAS	HP-UAS
	SASP-P			
	SESCP-P			
	UASCP-P			

1. C-Bit and M23 framing path PM parameters
2. The C-bit PMs (PMs that contain the text "CP-P") are applicable only if line format is C-bit.
3. DS3i-N-12 cards support SAS-P only on the Rx path.

15.6 Performance Monitoring for Ethernet Cards

The following sections define performance monitoring parameters and definitions for the E-Series, G-Series, and ML-Series Ethernet cards.

15.6.1 E-Series Ethernet Card Performance Monitoring Parameters

CTC provides Ethernet performance information, including line-level parameters, port bandwidth consumption, and historical Ethernet statistics. The E-Series Ethernet performance information is divided into the Statistics, Utilization, and History tabbed windows within the card view Performance tab window. The following sections describe PM parameters provided for the E100T-G and E1000-2 Ethernet cards.

15.6.1.1 E-Series Ethernet Statistics Window

The Ethernet statistics window lists Ethernet parameters at the line level. The Statistics window provides buttons to change the statistical values shown. The Baseline button resets the displayed statistics values to zero. The Refresh button manually refreshes statistics. Auto-Refresh sets a time interval at which automatic refresh occurs.

[Table 15-7](#) defines the E-Series Ethernet card statistics parameters.

Table 15-7 E-Series Ethernet Statistics Parameters

Parameter	Meaning
Link Status	Link integrity indicator (up means present, and down means not present).
Rx Packets	Number of packets received since the last counter reset.
Rx Bytes	Number of bytes received since the last counter reset.
Tx Packets	Number of packets transmitted since the last counter reset.
Tx Bytes	Number of bytes transmitted since the last counter reset.
Rx Total Errors	Total number of receive errors.
Rx FCS	Number of packets with a frame check sequence (FCS) error. FCS errors indicate frame corruption during transmission.
Rx Alignment	Number of packets with alignment errors (received incomplete frames).
Rx Runts	Measures undersized packets with bad cyclic redundancy check (CRC) errors.
Rx Shorts	Measures undersized packets with good CRC errors.
Rx Oversized + Jabbers	Measures oversized packets and jabbers. Size is greater than 1522 errors regardless of CRC errors.
Rx Giants	Number of packets received that are greater than 1518 bytes in length for untagged interfaces and 1522 bytes for tagged interfaces.
Tx Collisions	Number of transmit packets that are collisions; the port and the attached device transmitting at the same time caused collisions.
Tx Late Collisions	Number of frames that were not transmitted since they encountered a collision outside of the normal collision window. Normally, late collision events should occur only rarely, if at all.

Table 15-7 E-Series Ethernet Statistics Parameters (continued)

Parameter	Meaning
Tx Excessive Collisions	Number of consecutive collisions.
Tx Deferred	Number of packets deferred.

15.6.1.2 E-Series Ethernet Utilization Window

The Utilization window shows the percentage of transmit (Tx) and receive (Rx) line bandwidth used by the Ethernet ports during consecutive time segments. The Mode field displays the real-time mode status, such as “100 Full,” which is the mode setting configured on the E-Series port. However, if the E-Series port is set to autonegotiate the mode (Auto), this field shows the result of the link negotiation between the E-Series and the peer Ethernet device attached directly to the E-Series port.

The Utilization window provides an Interval menu that enables you to set time intervals of 1 minute, 15 minutes, 1 hour, and 1 day. Line utilization is calculated with the following formulas:

$$Rx = (\text{inOctets} + \text{inPkts} * 20) * 8 / 100\% \text{ interval} * \text{maxBaseRate}$$

$$Tx = (\text{outOctets} + \text{outPkts} * 20) * 8 / 100\% \text{ interval} * \text{maxBaseRate}$$

The interval is defined in seconds. The maxBaseRate is defined by raw bits per second in one direction for the Ethernet port (that is, 1 Gbps). STS circuit maxBaseRates are shown in [Table 15-8](#).

Table 15-8 MaxBaseRate for VC Circuits

STS	maxBaseRate
VC3	51840000
VC4	155000000
VC42C	311000000
VC44C	622000000

**Note**

Line utilization numbers express the average of ingress and egress traffic as a percentage of capacity.

**Note**

The E-Series Ethernet card is a Layer 2 device or switch and supports Trunk Utilization statistics. The Trunk Utilization statistics are similar to the Line Utilization statistics, but shows the percentage of circuit bandwidth used rather than the percentage of line bandwidth used. The Trunk Utilization statistics are accessed through the card view Maintenance tab.

15.6.1.3 E-Series Ethernet History Window

The Ethernet History window lists past Ethernet statistics for the previous time intervals. Depending on the selected time interval, the History window displays the statistics for each port for the number of previous time intervals as shown in [Table 15-9](#). The parameters are defined in [Table 15-7 on page 15-19](#).

Table 15-9 Ethernet Statistics History per Time Interval

Time Interval	Number of Intervals Displayed
1 minute	60 previous time intervals
15 minutes	32 previous time intervals
1 hour	24 previous time intervals
1 day (24 hours)	7 previous time intervals

15.6.2 G-Series Ethernet Card Performance Monitoring Parameters

CTC provides Ethernet performance information, including line-level parameters, port bandwidth consumption, and historical Ethernet statistics. The G-Series Ethernet performance information is divided into the Statistics, Utilization, and History tabbed windows within the card view Performance tab window. The following sections describe PM parameters provided for the G1000-4 and G1K-4 Ethernet cards.

15.6.2.1 G-Series Ethernet Statistics Window

The Ethernet Statistics window lists Ethernet parameters at the line level. The Statistics window provides buttons to change the statistical values shown. The Baseline button resets the displayed statistics values to zero. The Refresh button manually refreshes statistics. Auto-Refresh sets a time interval at which automatic refresh occurs. The G-Series Statistics window also has a Clear button. The Clear button sets the values on the card to zero, but does not reset the G-Series card.

[Table 15-10](#) defines the G-Series Ethernet card statistics parameters.

Table 15-10 G-Series Ethernet Statistics Parameters

Parameter	Meaning
Time Last Cleared	A time stamp indicating the last time statistics were reset.
Link Status	Indicates whether the Ethernet link is receiving a valid Ethernet signal (carrier) from the attached Ethernet device; up means present, and down means not present.
Rx Packets	Number of packets received since the last counter reset.
Rx Bytes	Number of bytes received since the last counter reset.
Tx Packets	Number of packets transmitted since the last counter reset.
Tx Bytes	Number of bytes transmitted since the last counter reset.
Rx Total Errors	Total number of receive errors.
Rx FCS	Number of packets with a FCS error. FCS errors indicate frame corruption during transmission.
Rx Alignment	Number of packets with received incomplete frames.
Rx Runts	Measures undersized packets with bad CRC errors.
Rx Shorts	Measures undersized packets with good CRC errors.
Rx Jabbers	Total number of frames received that exceed the 1548-byte maximum and contain CRC errors.

Table 15-10 G-Series Ethernet Statistics Parameters (continued)

Parameter	Meaning
Rx Giants	Number of packets received that are greater than 1530 bytes in length.
Rx Pause Frames	Number of received Ethernet IEEE 802.3z pause frames.
Tx Pause Frames	Number of transmitted IEEE 802.3z pause frames.
Rx Pkts Dropped Internal Congestion	Number of received packets dropped due to overflow in G-Series frame buffer.
Tx Pkts Dropped Internal Congestion	Number of transmit queue drops due to drops in the G-Series frame buffer.
HDLC Errors	High-level data link control (HDLC) errors received from SDH/SONET. Do not use the HDLC errors counter to count the number of frames dropped because of HDLC errors, because each frame can fragment into several smaller frames during HDLC error conditions and spurious HDLC frames can also be generated. If HDLC error counters are incrementing when no SDH path problems should be present, it might indicate a problem with the quality of the SDH path. For example, a SDH protection switch generates a set of HDLC errors. But the actual values of these counters are less significant than the fact they are changing.
Rx Unicast Packets	Number of unicast packets received since the last counter reset.
Tx Unicast Packets	Number of unicast packets transmitted.
Rx Multicast Packets	Number of multicast packets received since the last counter reset.
Tx Multicast Packets	Number of multicast packets transmitted.
Rx Broadcast Packets	Number of broadcast packets received since the last counter reset.
Tx Broadcast Packets	Number of broadcast packets transmitted.

15.6.2.2 G-Series Ethernet Utilization Window

The Utilization window shows the percentage of Tx and Rx line bandwidth used by the Ethernet ports during consecutive time segments. The Mode field displays the real-time mode status, such as “100 Full,” which is the mode setting configured on the G-Series port. However, if the G-Series port is set to autonegotiate the mode (Auto), this field shows the result of the link negotiation between the G-Series and the peer Ethernet device attached directly to the G-Series port.

The Utilization window provides an Interval menu that enables you to set time intervals of 1 minute, 15 minutes, 1 hour, and 1 day. Line utilization is calculated with the following formulas:

$$Rx = (inOctets + inPkts * 20) * 8 / 100\% \text{ interval} * \text{maxBaseRate}$$

$$Tx = (outOctets + outPkts * 20) * 8 / 100\% \text{ interval} * \text{maxBaseRate}$$

The interval is defined in seconds. The maxBaseRate is defined by raw bits per second in one direction for the Ethernet port (that is, 1 Gbps). The maxBaseRate for G-Series VC is shown in [Table 15-8 on page 15-20](#).



Note

Line utilization numbers express the average of ingress and egress traffic as a percentage of capacity.

**Note**

Unlike E-Series cards, G-Series cards do not have a display of Trunk Utilization statistics, because G-Series cards are not Layer 2 devices.

15.6.2.3 G-Series Ethernet History Window

The Ethernet History window lists past Ethernet statistics for the previous time intervals. Depending on the selected time interval, the History window displays the statistics for each port for the number of previous time intervals as shown in [Table 15-9](#). The parameters are defined in [Table 15-10 on page 15-21](#).

15.6.3 ML-Series Ethernet Card Performance Monitoring Parameters

CTC provides Ethernet performance information for line-level parameters and historical Ethernet statistics. The ML-Series Ethernet performance information is divided into the Ether Ports and Packet over SONET/SDH (POS) Ports tabbed windows within the card view Performance tab window. The following sections describe PM parameters provided for the ML100T-12 and ML1000-2 Ethernet cards.

15.6.3.1 ML-Series Ether Ports Parameters

The Ether Ports window lists Ethernet PM parameter values for each Ethernet port on the card. Auto-Refresh sets a time interval at which automatic refresh will occur. The PM values are a snapshot captured at the time intervals selected in the Auto-Refresh field. Historical PM values are not stored or displayed.

[Table 15-11](#) defines the ML-Series Ethernet card Ether Ports PM parameters.

Table 15-11 ML-Series Ether Ports PM Parameters

Parameter	Meaning
Link Status	Indicates whether the Ethernet link is receiving a valid Ethernet signal (carrier) from the attached Ethernet device; up means present, and down means not present.
ifInOctets	Indicates the number of bytes received since the last counter reset.
rxTotalPackets	Indicates the number of packets received.
ifInUcastPkts	Indicates the number of unicast packets received since the last counter reset.
ifInMulticast Pkts	Indicates the number of multicast packets received since the last counter reset.
ifInBroadcast Pkts	Indicates the number of broadcast packets received since the last counter reset.
ifInDiscards	Indicates the number of inbound packets which were chosen to discard, though no errors had been detected. This prevents them from moving to a higher-layer protocol. A possible reason for discarding such packets is to free up buffer space.
ifOutOctets	Indicates the number of bytes transmitted since the last counter reset.
txTotalPkts	Indicates the number of transmitted packets.

Table 15-11 ML-Series Ether Ports PM Parameters (continued)

Parameter	Meaning
ifOutUcastPkts	Indicates the number of unicast packets transmitted.
ifOutMulticastPkts	Indicates the number of multicast packets transmitted.
ifOutBroadcastPkts	Indicates the number of broadcast packets transmitted.
dot3StatsAlignmentErrors	Indicates the count of frames received on a particular interface that are not an integral number of octets in length and do not pass the FCS check.
dot3StatsFCSErrors	Indicates the count of frames received on a particular interface that are an integral number of octets in length but do not pass the FCS check.
etherStatsUndersizePkts	Indicates the total number of packets received that were less than 64 octets long (excluding framing bits, but including FCS octets) and were otherwise well formed.
etherStatsOversizePkts	Indicates the total number of packets received that were longer than 1518 octets (excluding framing bits, but including FCS octets) and were otherwise well formed. Note that for tagged interfaces, this number becomes 1522 bytes.
etherStatsJabbers	Indicates the total number of packets received that were longer than 1518 octets (excluding framing bits, but including FCS octets), and had either a bad FCS with an integral number of octets (FCS error) or a bad FCS with a nonintegral number of octets (alignment error).
etherStatsCollisions	Indicates the number of transmit packets that are collisions; the port and the attached device transmitting at the same time caused collisions.
etherStatsDropEvents	Indicates the number of received frames dropped at the port level.
rxPauseFrames	Indicates the number of received Ethernet IEEE 802.3z pause frames.
mediaIndStatsOversizeDropped	Indicates the number of received oversized packages that are dropped.
mediaIndStatsTxFramesTooLong	Indicates the number of received frames that are too long. The maximum is the programmed maximum frame size (for virtual storage access network [VSAN] support); if the maximum frame size is set to default, then the maximum is the 2112 byte payload plus the 36 byte header, which is a total of 2148 bytes.

15.6.3.2 ML-Series POS Ports Parameters

The POS Ports window lists PM parameter values for each POS port on the card. The parameters displayed depend on the framing mode employed by the ML-Series card. The two framing modes for the POS port on the ML-Series card are HDLC and frame-mapped generic framing procedure (GFP-F). For more information on provisioning a framing mode, refer to the *Cisco ONS 15454 SDH Procedure Guide*.

Auto-Refresh sets a time interval at which automatic refresh will occur. The PM values are a snapshot captured at the time intervals selected in the Auto-Refresh field. Historical PM values are not stored or displayed.

[Table 15-12](#) defines the ML-Series Ethernet card POS Ports parameters for HDLC mode.

Table 15-12 ML-Series POS Ports Parameters for HDLC Mode

Parameter	Meaning
ifInOctets	Indicates the number of bytes received since the last counter reset.
rxTotalPkts	Indicates the number of packets received.
ifOutOctets	Indicates the number of bytes transmitted since the last counter reset.
tx TotalPkts	Indicates the number of transmitted packets.
etherStatsDropEvents	Indicates the number of received frames dropped at the port level.
rxPktsDropped Internal Congestion	Indicates the number of received packets dropped due to overflow in frame buffer.
mediaIndStatsRxFrames Truncated	Indicates the number of received frames with length of 36 bytes or less.
ifInOctets	Indicates the number of bytes received since the last counter reset.
mediaIndStatsRxFramesToo Long	Indicates the number of received frames that are too long. The maximum is the programmed maximum frame size (for VSAN support); if the maximum frame size is set to default, then the maximum is the 2112 byte payload plus the 36 byte header, which is a total of 2148 bytes.
mediaIndStatsRxFramesBad CRC	Indicates the number of received frames with CRC error.
mediaIndStatsRxShortPkts	Indicates the number of received packets that are too small.
hdlcInOctets	Indicates the number of bytes received (from the SONET/SDH path) prior to the bytes undergoing HLDC decapsulation by the policy engine.
hdlcRxAborts	Indicates the number of received packets aborted on input.
hdlcOutOctets	Indicates the number of bytes transmitted (to the SONET/SDH path) after the bytes undergoing HLDC encapsulation by the policy engine.

Table 15-13 defines the ML-Series Ethernet card POS Ports parameters for GFP-F mode.

Table 15-13 ML-Series POS Ports Parameters for GFP-F Mode

Parameter	Meaning
etherStatsDropEvents	Indicates the number of received frames dropped at the port level.
rx PktsDroppedInternal Congestion	Indicates the number of received packets dropped due to overflow in frame buffer.
gfpStatsRxFrame	Indicates the number of received GFP frames.
gfpStatsTxFrame	Indicates the number of transmitted GFP frames.
gfpStatsRxOctets	Indicates the number of GFP bytes received.
gfpStatsTxOctets	Indicates the number of GFP bytes transmitted.
gfpStatsRxSBitErrors	Indicates the sum of all single bit errors. These are correctable in the GFP CORE HDR at the GFP-T receiver.
gfpStatsRxMBitErrors	Indicates the sum of all the multiple bit errors. These are uncorrectable in the GFP CORE HDR at the GFP-T receiver.

Table 15-13 ML-Series POS Ports Parameters for GFP-F Mode (continued)

Parameter	Meaning
gfpStatsRxTypeInvalid	Indicates the number of receive packets dropped due to Client Data Frame user payload identifier (UPI) error.
gfpStatsRxCRCErrors	Indicates the number of packets received with a payload FCS error.
gfpStatsLFDRaised	Indicates the count of core HEC CRC multiple bit errors. Note This count is only of eHec multiple bit errors when in frame. This can be looked at as a count of when the state machine goes out of frame.
gfpStatsCSFRaised	Indicates the number of GFP client signal fail frames detected at the GFP-T receiver.
mediaIndStatsRxFrames Truncated	Indicates the number of received frames that are too long. The maximum is the programmed maximum frame size (for VSAN support). If the maximum frame size is set to default, then the size is the 2112 byte payload plus the 36 byte header, which is a total of 2148 bytes.
mediaIndStatsRxFramesToo Long	Indicates the number of received frames with a CRC error.
mediaIndStatsRxShortPkts	Indicates the number of received packets that are too small.

15.6.4 CE-Series Ethernet Card Performance Monitoring Parameters

CTC provides Ethernet performance information for line-level parameters and historical Ethernet statistics. The CE-Series Ethernet performance information is divided into the Ether Ports and POS Ports tabbed windows within the card view Performance tab window. The following sections describe PM parameters provided for the CE-100T-8 and CE1000-4 Ethernet cards.

15.6.4.1 CE-Series Ether Ports Statistics Parameters

The Ethernet Ether Ports Statistics window lists Ethernet parameters at the line level. The Statistics window provides buttons to change the statistical values shown. The Baseline button resets the displayed statistics values to zero. The Refresh button manually refreshes statistics. Auto-Refresh sets a time interval at which automatic refresh occurs. The CE-Series Statistics window also has a Clear button. The Clear button sets the values on the card to zero, but does not reset the CE-Series card.

During each automatic cycle, whether auto-refreshed or manually refreshed (using the Refresh button), statistics are added cumulatively and are not immediately adjusted to equal total received packets until testing ends. To see the final PM count totals, allow a few moments for the PM window statistics to finish testing and update fully. PM counts are also listed in the CE-Series card Performance > History window.

[Table 15-14](#) defines the CE-Series Ethernet card Ether Ports PM parameters.

Table 15-14 CE-Series Ether Ports PM Parameters

Parameter	Meaning
Time Last Cleared	Specifies a time stamp indicating the last time statistics were reset.
Link Status	Indicates whether the Ethernet link is receiving a valid Ethernet signal (carrier) from the attached Ethernet device. Up denotes present, and Down denotes not present.
ifInOctets	Indicates the number of bytes received since the last counter reset.
rxTotalPkts	Indicates the number of received packets.
ifInUcastPkts	Indicates the number of unicast packets received since the last counter reset.
ifInMulticastPkts	Indicates the number of multicast packets received since the last counter reset.
ifInBroadcastPkts	Indicates the number of broadcast packets received since the last counter reset.
ifInDiscards	Indicates the number of inbound packets that were chosen to be discarded, although no errors had been detected. This is to prevent them moving to a higher-layer protocol. A possible reason for discarding such packets is to free up buffer space.
ifInErrors	Indicates the number of inbound packets (or transmission units) that contain errors that prevent them from being delivered to a higher-layer protocol.
ifOutOctets	Indicates the number of bytes transmitted since the last counter reset.
txTotalPkts	Indicates the number of transmitted packets.
ifOutDiscards ¹	Indicates the number of outbound packets which were chosen to discard even though no errors were detected to prevent the transmission. A possible reason for discarding such a packet could be to free up buffer space.
ifOutErrors ¹	Indicates the number of outbound packets (or transmission units) that could not be transmitted because of errors.
ifOutUcastPkts ²	Indicates the number of unicast packets transmitted.
ifOutMulticastPkts ²	Indicates the number of multicast packets transmitted.
ifOutBroadcastPkts ²	Indicates the number of broadcast packets transmitted.
dot3StatsAlignmentErrors ²	Indicates the count of frames received on a particular interface that are not an integral number of octets in length and do not pass the FCS check.
dot3StatsFCSErrors	Indicates the count of frames received on a particular interface that are an integral number of octets in length but do not pass the FCS check.
dot3StatsSingleCollisionFrames ²	Indicates the count of successfully transmitted frames on a particular interface for which transmission is inhibited by exactly one collision.

Table 15-14 CE-Series Ether Ports PM Parameters (continued)

Parameter	Meaning
dot3StatsFrameTooLong	Indicates the count of frames received on a particular interface that exceed the maximum permitted frame size.
etherStatsUndersizePkts	Indicates the total number of packets received that were less than 64 octets long (excluding framing bits, but including FCS octets) and were otherwise well formed.
etherStatsUndersizePkts	Indicates the total number of packets received that were less than 64 octets long (excluding framing bits, but including FCS octets) and were otherwise well formed.
etherStatsFragments	Indicates the total number of packets received that were less than 64 octets in length (excluding framing bits but including FCS octets) and had either a bad FCS with an integral number of octets (FCS error) or a bad FCS with a nonintegral number of octets (alignment error). Note It is entirely normal for etherStatsFragments to increment. This is because it counts both runts (which are normal occurrences due to collisions) and noise hits.
etherStatsPkts64Octets	Indicates the total number of packets (including bad packets) received that were 64 octets in length (excluding framing bits but including FCS octets).
etherStatsPkts65to127Octets	Indicates the total number of packets (including bad packets) received that were between 65 and 127 octets in length inclusive (excluding framing bits but including FCS octets).
etherStatsPkts128to255Octets	Indicates the total number of packets (including bad packets) received that were between 128 and 255 octets in length inclusive (excluding framing bits but including FCS octets).
etherStatsPkts256to511Octets	Indicates the total number of packets (including bad packets) received that were between 256 and 511 octets in length inclusive (excluding framing bits but including FCS octets).
etherStatsPkts512to1023Octets	Indicates the total number of packets (including bad packets) received that were between 512 and 1023 octets in length inclusive (excluding framing bits but including FCS octets).
etherStatsPkts1024to1518 Octets	Indicates the total number of packets (including bad packets) received that were between 1024 and 1518 octets in length inclusive (excluding framing bits but including FCS octets).
etherStatsBroadcastPkts	Indicates the total number of good packets received that were directed to the broadcast address. Note that this does not include multicast packets.
etherStatsMulticastPkts	Indicates the total number of good packets received that were directed to a multicast address. Note that this number does not include packets directed to the broadcast address.
etherStatsOversizePkts	Indicates the total number of packets received that were longer than 1518 octets (excluding framing bits, but including FCS octets) and were otherwise well formed. Note that for tagged interfaces, this number becomes 1522 bytes.

Table 15-14 CE-Series Ether Ports PM Parameters (continued)

Parameter	Meaning
etherStatsJabbers	Indicates the total number of packets received that were longer than 1518 octets (excluding framing bits, but including FCS octets), and had either a bad FCS with an integral number of octets (FCS error) or a bad FCS with a nonintegral number of octets (alignment error).
etherStatsOctets	Indicates the total number of octets of data (including those in bad packets) received on the network (excluding framing bits but including FCS octets).
rxPauseFrames ¹	Number of received pause frames.
txPauseFrames ¹	Number of transmitted pause frames.
rxPktsDroppedInternalCongestion ¹	Indicates the number of received packets dropped due to overflow in frame buffer.
txPktsDroppedInternalCongestion ¹	Indicates the number of transmit queue drops due to drops in frame buffer.
rxControlFrames ¹	Indicates the number of control frames received.
mediaIndStatsRxFramesTruncated ¹	Indicates the number of received frames with a length of 36 bytes or less.
mediaIndStatsRxFramesTooLong ¹	Indicates the number of received frames that are too long. The maximum is the programmed maximum frame size (for VSAN support); if the maximum frame size is set to default, then the maximum is the 2112 byte payload plus the 36 byte header, which is a total of 2148 bytes.
mediaIndStatsRxFramesBadCRC ¹	Indicates the number of received frames with CRC errors.
mediaIndStatsTxFramesBadCRC ¹	Indicates the number of transmitted frames with CRC error.
mediaIndStatsRxShortPkts ¹	Indicates the number of received packets that are too small.
etherStatsCollisions ²	Indicates the number of transmit packets that are collisions. The port and the attached device transmitting at the same time might cause collisions.
etherStatsCRCAlignErrors ²	Indicates the total number of packets received that had a length (excluding framing bits, but including FCS octets) of between 64 and 1518 octets, inclusive, but had either a bad FCS with an integral number of octets (FCS error) or a bad FCS with a nonintegral number of octets (alignment error).
etherStatsDropEvents ²	Indicates the number of received frames dropped at the port level.

1. For CE1000-4 only

2. For CE100T-8 only

15.6.4.2 CE-Series Card Ether Ports Utilization Parameters

The Ether Ports Utilization window shows the percentage of Tx and Rx line bandwidth used by the Ethernet ports during consecutive time segments. The Utilization window provides an Interval menu that enables you to set time intervals of 1 minute, 15 minutes, 1 hour, and 1 day. Line utilization is calculated with the following formulas:

$$Rx = (\text{inOctets} + \text{inPkts} * 20) * 8 / 100\% \text{ interval} * \text{maxBaseRate}$$

$$Tx = (\text{outOctets} + \text{outPkts} * 20) * 8 / 100\% \text{ interval} * \text{maxBaseRate}$$

The interval is defined in seconds. The maxBaseRate is defined by raw bits per second in one direction for the Ethernet port (that is, 1 Gbps). The maxBaseRate for CE-Series Ethernet cards is shown in [Table 15-8 on page 15-20](#).

15.6.4.3 CE-Series Card Ether Ports History Parameters

The Ethernet Ether Ports History window lists past Ethernet statistics for the previous time intervals. Depending on the selected time interval, the History window displays the statistics for each port for the number of previous time intervals as shown in [Table 15-9 on page 15-21](#). The parameters are those defined in [Table 15-14 on page 15-27](#).

15.6.4.4 CE-Series POS Ports Statistics Parameters

The Ethernet POS Ports statistics window lists Ethernet POS parameters at the line level. [Table 15-15](#) defines the CE-Series Ethernet card POS Ports parameters.

Table 15-15 CE-Series POS Ports Statistics Parameters

Parameter	Definition
Time Last Cleared	A time stamp indicating the last time that statistics were reset.
Link Status	Indicates whether the Ethernet link is receiving a valid Ethernet signal (carrier) from the attached Ethernet device; up means present, and down means not present.
ifInOctets	Number of bytes received since the last counter reset.
rxTotalPkts	Number of received packets.
ifInDiscards ¹	The number of inbound packets that were chosen to be discarded even though no errors had been detected to prevent their being deliverable to a higher-layer protocol. One possible reason for discarding such a packet could be to free buffer space.
ifInErrors ¹	The number of inbound packets (or transmission units) that contained errors preventing them from being deliverable to a higher-layer protocol.
ifOutOctets	Number of bytes transmitted since the last counter reset.
txTotalPkts	Number of transmitted packets.
ifOutOversizePkts ¹	Packets greater than 1518 bytes transmitted out a port.
gfpStatsRxFrame ²	Number of received GFP frames.
gfpStatsTxFrame ²	Number of transmitted GFP frames.
gfpStatsRxCRCErrors	Number of packets received with a payload FCS error.
gfpStatsRxOctets ²	Number of GFP bytes received.

Table 15-15 CE-Series POS Ports Statistics Parameters

Parameter	Definition
gfpStatsTxOctets ²	Number of GFP bytes transmitted.
gfpStatsRxSBitErrors	Sum of all the single bit errors. In the GFP CORE HDR at the GFP-T receiver, these are correctable.
gfpStatsRxMBitErrors	Sum of all the multiple bit errors. In the GFP CORE HDR at the GFP-T receiver, these are uncorrectable.
gfpStatsRxTypeInvalid	Number of receive packets dropped due to Client Data Frame UPI errors.
gfpStatsRxCIDInvalid ¹	Number of packets with invalid CID.
gfpStatsCSFRaised	Number of GFP Client signal fail frames detected at the GFP-T receiver.
ifInPayloadCrcErrors ¹	Received payload CRC errors.
ifOutPayloadCrcErrors ¹	Transmitted payload CRC errors.
hdlcPktDrops	Number of received packets dropped before input.

1. Applicable only for CE100T-8

2. Applicable only for CE1000-4

15.6.4.5 CE-Series Card POS Ports Utilization Parameters

The POS Ports Utilization window shows the percentage of Tx and Rx line bandwidth used by the POS ports during consecutive time segments. The Utilization window provides an Interval menu that enables you to set time intervals of 1 minute, 15 minutes, 1 hour, and 1 day. Line utilization is calculated with the following formulas:

$$\text{Rx} = (\text{inOctets} * 8) / (\text{interval} * \text{maxBaseRate})$$

$$\text{Tx} = (\text{outOctets} * 8) / (\text{interval} * \text{maxBaseRate})$$

The interval is defined in seconds. The maxBaseRate is defined by raw bits per second in one direction for the Ethernet port (that is, 1 Gbps). The maxBaseRate for CE-Series cards is shown in [Table 15-8 on page 15-20](#).



Note

Line utilization numbers express the average of ingress and egress traffic as a percentage of capacity.

15.6.4.6 CE-Series Card Ether Ports History Parameters

The Ethernet POS Ports History window lists past Ethernet POS Ports statistics for the previous time intervals. Depending on the selected time interval, the History window displays the statistics for each port for the number of previous time intervals as shown in [Table 15-15 on page 15-30](#). The parameters are defined in [Table 15-9 on page 15-21](#).

15.7 Performance Monitoring for Optical Cards

The following sections define performance monitoring parameters and definitions for the OC3 IR 4/STM1 SH 1310 card, the OC3 IR/STM1 SH 1310-8 card, the OC12 IR/STM4 SH 1310, OC12 LR/STM4 LH 1310 card, the OC12 LR/STM4 LH 1550 card, the OC12 IR/STM4 SH 1310-4 card, the OC48 IR/STM16 SH AS 1310 card, OC48 LR/STM16 LH AS 1550 card, the OC48 ELR/STM16 EH

100 GHz card, the OC192 SR/STM64 IO 1310 card, the OC192 IR/STM64 SH 1550 card, OC192 LR/STM 64 LH 1550 card, the OC192 LR/STM64 LH ITU 15xx.xx, OC192 SR1/STM64IO Short Reach card, and the OC192/STM64 Any Reach card.

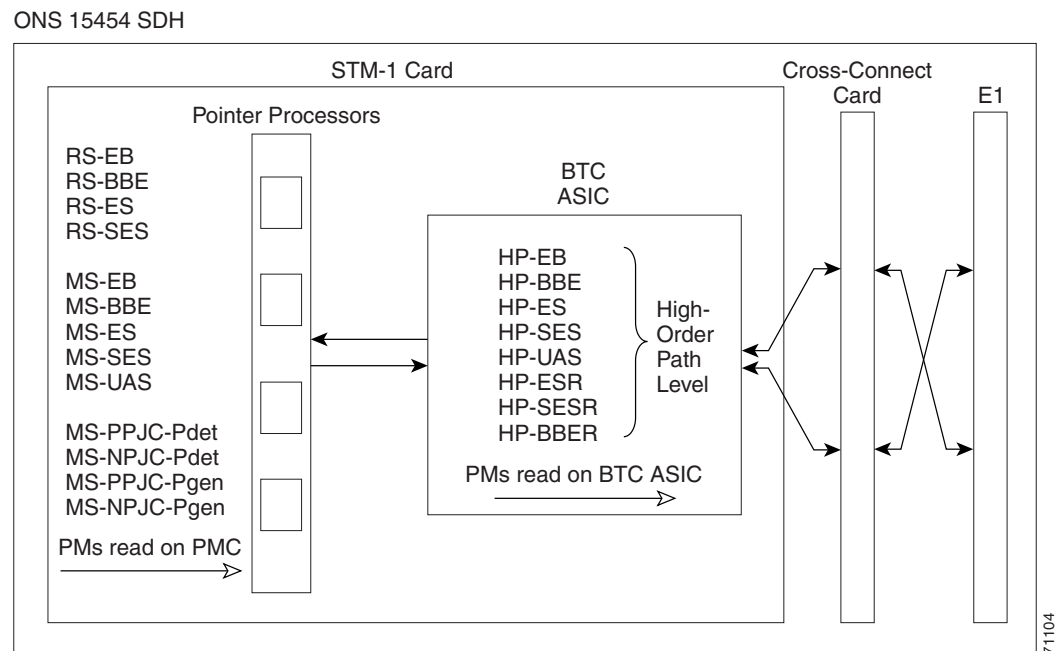
On all STM-N optical cards, errors are calculated in bits instead of blocks for B1 and B3. This means there could possibly be a slight difference between what is inserted and what is reported on CTC. In STM4, for example, there are approximately 15,000 to 30,000 bits per block (per ITU-T-G.826). If there were two bit errors within that block, the standard would require reporting one block error whereas the STM-N cards would have reported two bit errors.

When a tester inputs only single errors during testing, this issue would not appear because a tester is not fast enough to induce two errors within a single block. However, if the test is performed with an error rate, certain error rates could cause two or more errors in a block. For example, since the STM4 is roughly 622 Mbps and the block in the STM4 has 15,000 bits, there would be about 41,467 blocks in a second. If the tester inputs a $10e^{-4}$ error rate, that would create 62,200 errors per second. If the errors are distributed uniformly, then CTC could potentially report two bit errors within a single block. On the other hand, if the error ratio is $10e^{-5}$, then there will be 6,220 errors per second. If the errors are not distributed uniformly, then CTC might report one bit error within a single block. In summary, if the errors are distributed equally, then a discrepancy with the standard might be seen when a tester inputs $10e^{-4}$ or $10e^{-3}$ error rates.

15.7.1 STM-1 Card Performance Monitoring Parameters

Figure 15-8 shows where overhead bytes detected on the ASICs produce performance monitoring parameters for the OC3 IR 4/STM1 SH 1310 card and the OC3 IR/STM1 SH 1310-8 card.

Figure 15-8 PM Read Points on the STM-1 Cards



The PM parameters for the STM-1 and STM1 SH 1310-8 cards are listed in Table 15-16. The parameters are defined in Table 15-3 on page 15-5.

Table 15-16 PM Parameters for the STM-1 and STM1 SH 1310-8 Cards

RS (NE)	MS (NE/FE)	1+1 LMSP (NE) ^{1, 2}	PJC (NE) ³	VC4 and VC4-Xc HP Path (NE/FE) ^{4, 5}
RS-BBE	MS-BBE	MS-PSC (1+1)	HP-PPJC-Pdet	HP-BBE
RS-EB	MS-EB	MS-PSD	HP-NPJC-Pdet	HP-BBER
RS-ES	MS-ES		HP-PPJC-Pgen	HP-EB
RS-SES	MS-SES		HP-NPJC-Pgen	HP-ES
RS-UAS	MS-UAS		HP-PJCS-Pdet	HP-ESR
			HP-PJCS-Pgen	HP-SES
			HP-PJCDiff	HP-SESR
				HP-UAS

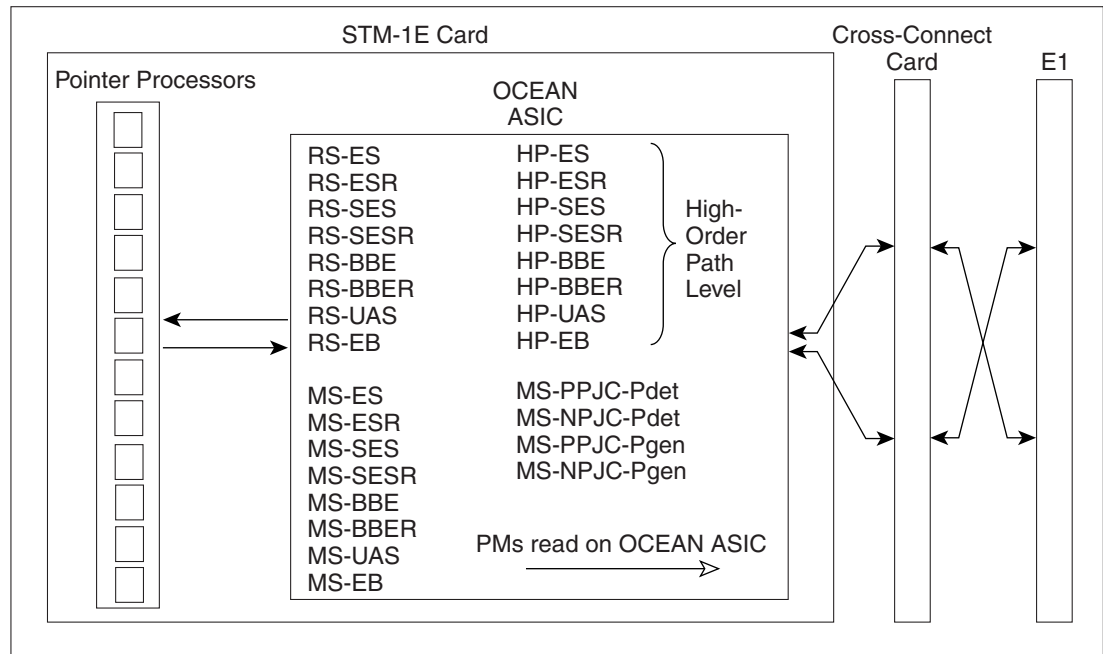
1. For information about troubleshooting subnetwork connection protection (SNCP) switch counts, refer to the “Alarm Troubleshooting” chapter in the *Cisco ONS 15454 SDH Troubleshooting Guide*. For information about creating circuits that perform a switch, refer to [Chapter 11, “Circuits and Tunnels.”](#)
2. MS-SPRing is not supported on the STM-1 card and STM-1E card; therefore, the MS-PSD-W, MS-PSD-S, and MS-PSD-R PM parameters do not increment.
3. In CTC, the count fields for the HP-PPJC and HP-NPJC PM parameters appear white and blank unless they are enabled on the Provisioning > Line tab. See the [“15.3 Pointer Justification Count Performance Monitoring”](#) section on page 15-4.
4. Far-end high-order VC4 and VC4-Xc path PM parameters do not apply to the STM1-4 card.
5. SDH path PM parameters do not increment unless IPPM is enabled. See the [“15.2 Intermediate-Path Performance Monitoring”](#) section on page 15-3.

15.7.2 STM-1E Card Performance Monitoring Parameters

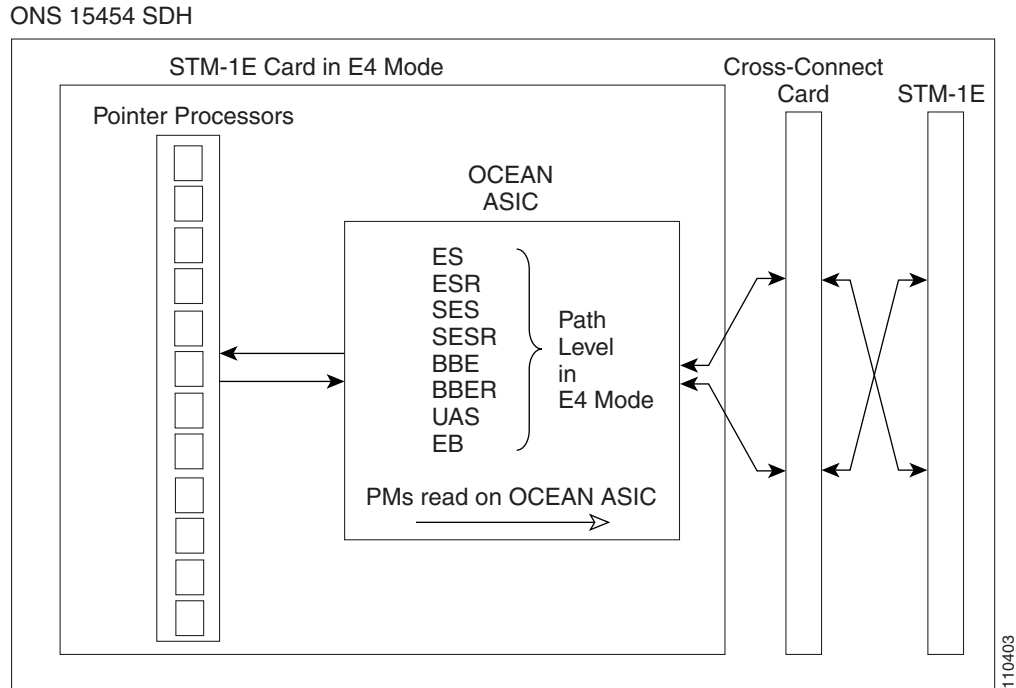
Figure 15-9 shows where overhead bytes detected on the ASICs produce performance monitoring parameters for the STM-1E card.

Figure 15-9 PM Read Points on the STM-1E Cards

ONS 15454 SDH



Ports 9 to 12 can be provisioned as E4 framed from the Provisioning > Ports tabs. Figure 15-10 shows the VC4 performance monitoring parameters in E4 mode.

Figure 15-10 PM Read Points on the STM-1E Cards in E4 Mode

The PM parameters for the STM-1E cards are listed in [Table 15-17](#). The parameters are defined in [Table 15-3](#) on page 15-5.

Table 15-17 PM Parameters for the STM-1E Cards

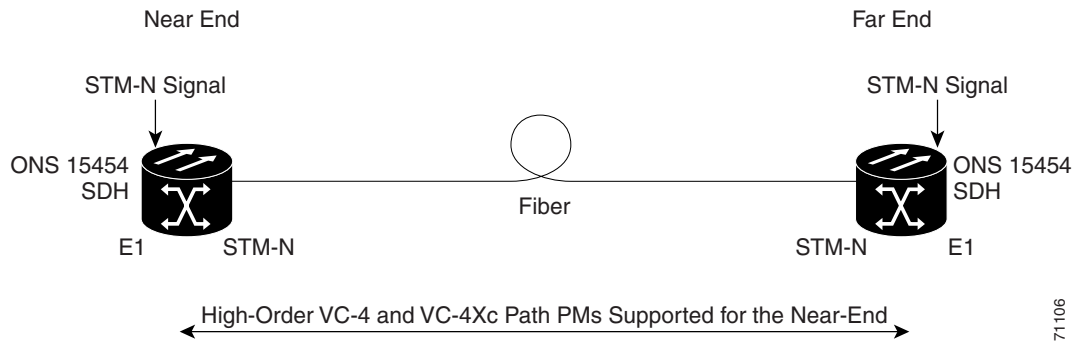
RS (NE)	MS (NE/FE)	PJC (NE) ^{1,2}	VC4 and VC4-Xc HP Path (NE) ³	VC4 and VC4-Xc Path for E4 Mode (NE)
RS-BBE	MS-BBE	HP-PPJC-Pdet	HP-BBER	BBE
RS-BBER	MS-BBER	HP-NPJC-Pdet	HP-BBER	BBER
RS-EB	MS-EB	HP-PPJC-Pgen	HP-EB	EB
RS-ES	MS-ES	HP-NPJC-Pgen	HP-ES	ES
RS-ESR	MS-ESR		HP-ESR	ESR
RS-SES	MS-SES		HP-SES	SES
RS-SESR	MS-SESR		HP-SESR	SESR
UAS-SR			HP-UAS	UAS

1. In CTC, the count fields for PPJC and NPJC PM parameters appear white and blank unless they are enabled on the Provisioning > OC3 Line tabs. See the [“15.3 Pointer Justification Count Performance Monitoring”](#) section on page 15-4.
2. For information about troubleshooting SNCP switch counts, refer to the “Alarm Troubleshooting” chapter in the *Cisco ONS 15454 SDH Troubleshooting Guide*.
3. SDH path PM parameters do not increment unless IPPM is enabled. See the [“15.2 Intermediate-Path Performance Monitoring”](#) section on page 15-3.

15.7.3 STM-4 Card Performance Monitoring Parameters

Figure 15-11 shows the signal types that support near-end and far-end PM parameters for the OC12 IR/STM4 SH 1310, OC12 LR/STM4 LH 1310 card, the OC12 LR/STM4 LH 1550 card, and the OC12 IR/STM4 SH 1310-4 card. Figure 15-12 shows where overhead bytes detected on the ASICs produce performance monitoring parameters for the

Figure 15-11 Monitored Signal Types for the STM-4 Cards



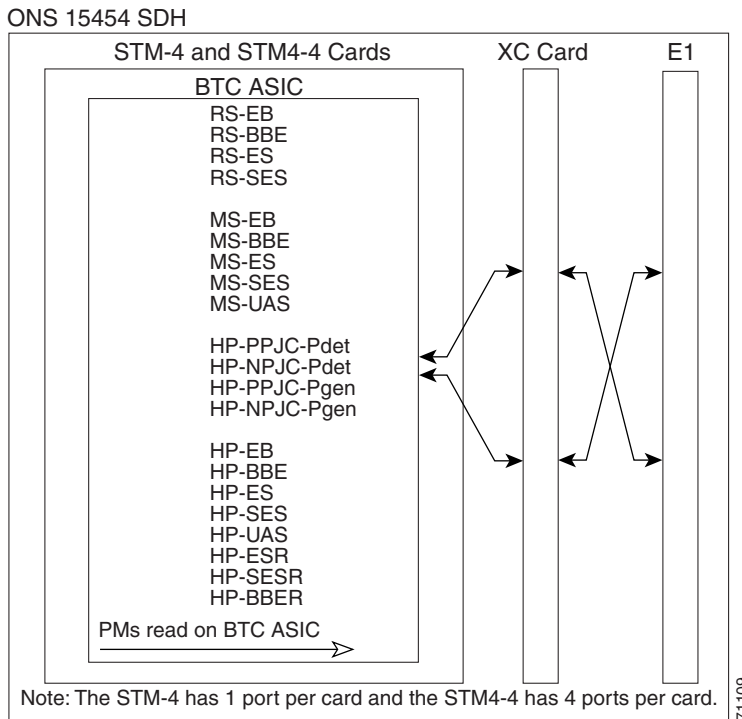
71106



Note

PM parameters on the protect VC4 are not supported for MS-SPRing.

Figure 15-12 PM Read Points on the STM-4 Cards



71109

The PM parameters for the STM-4 cards are described in Table 15-18. The parameters are defined in Table 15-3 on page 15-5.

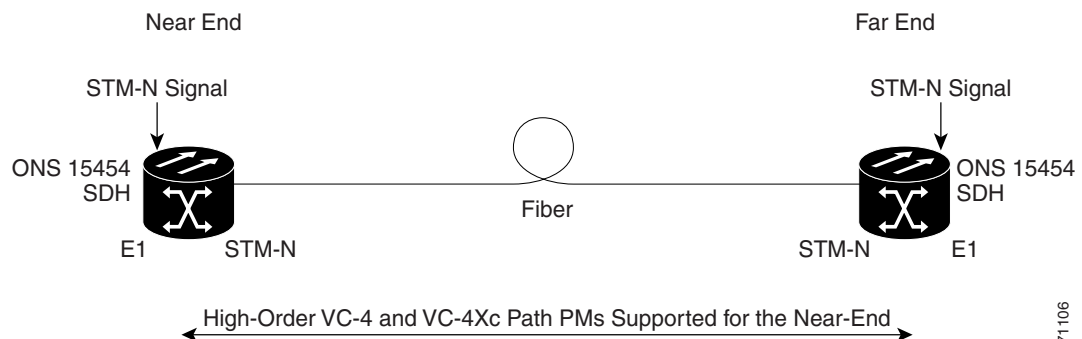
Table 15-18 PM Parameters for STM-4 Cards

RS (NE/FE)	MS (NE/FE)	PSC (NE) ¹	PJC (NE) ²	VC4 and VC4-Xc HP Path (NE) ³
RS-BBE	MS-BBE	MS-PSC (1+1)	HP-PPJC-Pdet	HP-BBE
RS-EB	MS-EB	MS-PSC (MS-SPRing)	HP-NPJC-Pdet	HP-BBER
RS-ES	MS-ES	MS-PSD	HP-PPJC-Pgen	HP-EB
RS-SES	MS-SES	MS-PSC-W	HP-NPJC-Pgen	HP-ES
	MS-UAS	MS-PSD-W		HP-ESR
		MS-PSC-S		HP-SES
		MS-PSD-S		HP-SESR
		MS-PSC-R		HP-UAS
		MS-PSD-R		

- For information about troubleshooting SNCP switch counts, refer to the “Alarm Troubleshooting” chapter in the *Cisco ONS 15454 SDH Troubleshooting Guide*. For information about creating circuits that perform a switch, see the Chapter 11, “Circuits and Tunnels.”
- In CTC, the count fields for HP-PPJC and HP-NPJC PM parameters appear white and blank unless they are enabled on the Provisioning > Line tab. See the “15.3 Pointer Justification Count Performance Monitoring” section on page 15-4.
- SDH path PM parameters do not increment unless IPPM is enabled. See the “15.2 Intermediate-Path Performance Monitoring” section on page 15-3.

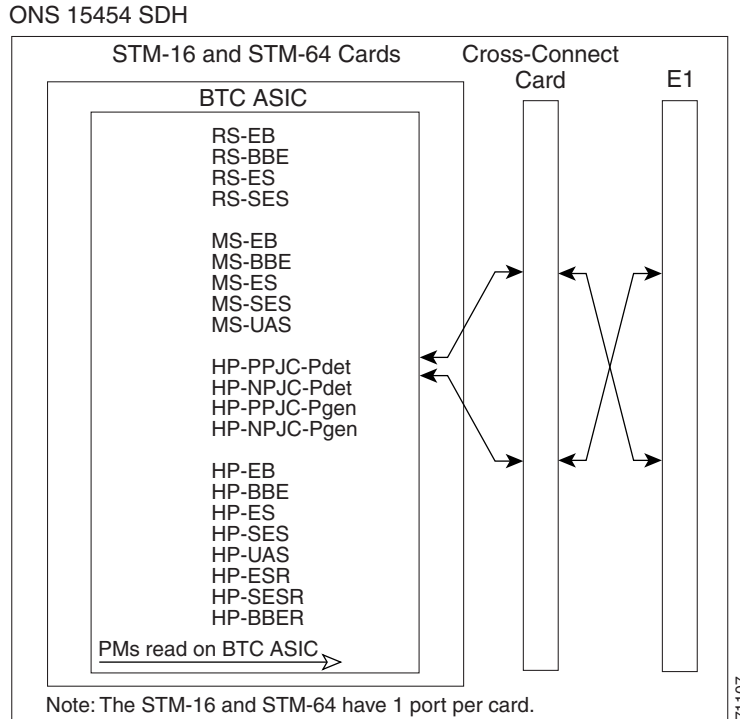
15.7.4 STM-16 and STM-64 Card Performance Monitoring Parameters

Figure 15-13 shows the signal types that support near-end and far-end PM parameters for the OC48 IR/STM16 SH AS 1310 card, the OC48 LR/STM16 LH AS 1550 card, the OC48 ELR/STM16 EH 100 GHz card, the OC192 SR/STM64 IO 1310 card, the OC192 IR/STM64 SH 1550 card, the OC192 LR/STM 64 LH 1550 card, the OC192 LR/STM64 LH ITU 15xx.xx card, the OC192 SR1/STM64IO Short Reach card, and the OC192/STM64 Any Reach card.

Figure 15-13 Monitored Signal Types for STM-16 and STM-64 Cards**Note**

PM parameters on the protect VC4 are not supported for MS-SPRing.

Figure 15-14 shows where overhead bytes detected on the ASICs produce performance monitoring parameters for STM-16 and STM-64 cards.

Figure 15-14 PM Read Points on STM-16 and STM-64 Cards

The PM parameters for STM-16 and STM-64 cards are listed [Table 15-19](#).

Table 15-19 PM Parameters for STM-16 and STM-64 Cards

RS (NE/FE)	MS (NE/FE)	PSC (NE) ¹	PJC (NE) ²	VC4 and VC4-Xc HP Path (NE) ³
RS-BBE	MS-BBE	MS-PSC (1+1)	HP-PPJC-Pdet	HP-BBE
RS-EB	MS-EB	MS-PSC (MS-SPRing)	HP-NPJC-Pdet	HP-BBER
RS-ES	MS-ES	MS-PSD	HP-PPJC-Pgen	HP-EB
RS-SES	MS-SES	MS-PSC-W	HP-NPJC-Pgen	HP-ES
	MS-UAS	MS-PSD-W	HP-PJCDiff	HP-ESR
		MS-PSC-S	HP-PJCS-Pdet	HP-SES
		MS-PSD-S	HP-PJCS-Pgen	HP-SESR
		MS-PSC-R		HP-UAS
		MS-PSD-R		

1. For information about troubleshooting SNCP switch counts, refer to the “Alarm Troubleshooting” chapter in the *Cisco ONS 15454 SDH Troubleshooting Guide*. For information about creating circuits that perform a switch, see the [Chapter 11, “Circuits and Tunnels.”](#)
2. In CTC, the count fields for HP-PPJC and HP-NPJC PM parameters appear white and blank unless they are enabled on the Provisioning > Line tab. See the [“15.3 Pointer Justification Count Performance Monitoring”](#) section on page 15-4.
3. SDH path PM parameters do not increment unless IPPM is enabled. See the [“15.2 Intermediate-Path Performance Monitoring”](#) section on page 15-3.

**Note**

If the MS-EB(NE and FE) falls in a specific range, then, the user might see discrepancy in the MS-SES and the MS-UAS values. However, MS-ES will be in the nearest accuracy. For a few seconds, in a given 10 seconds interval, the number of MS-EB counted may not cross the EB count criteria for MS-SES, (due to system/application limitation for the below mentioned ranges); as a consequence of which there may not be 10 continuous MS-SES, thus MS-UAS will not be observed. The corresponding (error) range for the line rates is as shown in [Table 15-20](#).

Table 15-20 **Table of Border Error Rates**

Line Rate	Error Ranges
STM1	28800-28810
STM4	192000-192010
STM16	921600-921610
STM64	3686400-3686410

15.7.5 MRC-12 Card Performance Monitoring Parameters

This section lists performance monitoring parameters for the mutirate card, also known as the MRC-12. card.

[Figure 15-15](#) shows where overhead bytes detected on the ASICs produce performance monitoring parameters for the MRC-12 card.

Figure 15-15 PM Read Points for the MRC-12 Card

ONS 15454 SDH

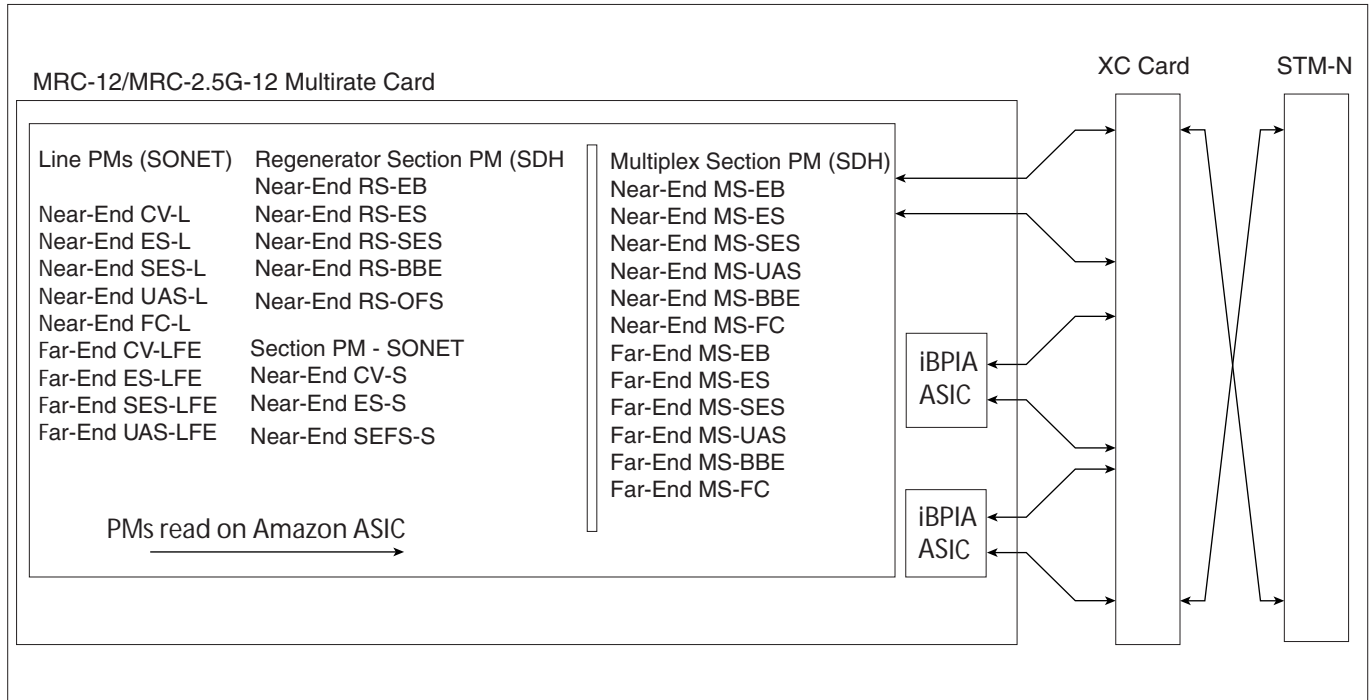


Table 15-21 lists the PM parameters for MRC-12 cards.

Table 15-21 MRC-12 Card PMs

Section (NE)	Line (NE)	Physical Layer (NE)	STS Path (NE)	Line (FE)	STS Path (FE)
CV-S	CV-L	LBC	CV-P	CV-LFE	CV-PFE
ES-S	ES-L	OPT	ES-P	ES-LFE	ES-PFE
SES-S	SES-L	OPR	SES-P	SES-LFE	SES-PFE
SEF-S	UAS-L		UAS-P	UAS-LFE	UAS-PFE
	FC-L		FC-P	FC-LFE	FC-PFE
	PSC (1+1)		PPJC-PDET-P		
	PSD (1+1)		NPJC-PDET-P		
			PPJC-PGEN-P		
			NPJC-PGEN-P		
			PJCS-PDET-P		
			PJCS-PGEN-P		
			PJC-DIFF-P		

15.8 Performance Monitoring for the Fiber Channel Card

The following sections define PM parameters and definitions for the FC_MR-4 card.

15.8.1 FC_MR-4 Card Performance Monitoring Parameters

CTC provides FC_MR-4 performance information, including line-level parameters, port bandwidth consumption, and historical statistics. The FC_MR-4 card performance information is divided into the Statistics, Utilization, and History tabbed windows within the card view Performance tab window.

15.8.1.1 FC_MR-4 Statistics Window

The Statistics window lists parameters at the line level. The Statistics window provides buttons to change the statistical values shown. The Baseline button resets the displayed statistics values to zero. The Refresh button manually refreshes statistics. Auto-Refresh sets a time interval at which automatic refresh occurs. The Statistics window also has a Clear button. The Clear button sets the values on the card to zero. All counters on the card are cleared.

[Table 15-22](#) defines the FC_MR-4 card statistics parameters.

Parameter	Definition
Time Last Cleared	Time stamp indicating the time at which the statistics were last reset.
Link Status	Indicates whether the Fibre Channel link is receiving a valid Fibre Channel signal (carrier) from the attached Fibre Channel device; up means present, and down means not present.
ifInOctets	Number of bytes received without error for the Fibre Channel payload.
rxTotalPkts	Number of Fibre Channel frames received without errors.
ifInDiscards	Number of inbound packets that were chosen to be discarded even though no errors had been detected to prevent their being deliverable to a higher-layer protocol. One possible reason for discarding such a packet could be to free up buffer space.
ifInErrors	Sum of frames that are oversized, undersized, or with cyclic redundancy check (CRC) error.
ifOutOctets	Number of bytes transmitted without error for the Fibre Channel payload.
txTotalPkts	Number of Fibre Channel frames transmitted without errors.
ifOutDiscards	Number of outbound packets which were chosen to be discarded even though no errors had been detected to prevent their transmission. A possible reason for discarding such packets could be to free up buffer space.
gfpStatsRxSBitErrors	Number of single bit errors in core header error check (CHEC).
gfpStatsRxMBitErrors	Number of multiple bit errors in CHEC.

Parameter	Definition
gfpStatsRxTypeInvalid	Number of invalid generic framing procedure (GFP) type field received. This includes unexpected user payload identifier (UPI) type and also errors in CHEC.
gfpStatsRxSblkCRCErrors	Number of super block CRC errors.
gfpStatsRoundTripLatencyUsec	Round trip delay for the end-to-end Fibre Channel transport in milli seconds.
gfpStatsRxDistanceExtBuffers	Number of buffer credit received for GFP-T receiver (valid only if distance extension is enabled).
gfpStatsTxDistanceExtBuffers	Number of buffer credit transmitted for GFP-T transmitter (valid only if distance extension is enabled).
mediaIndStatsRxFramesTruncated	Number of Fibre Channel frames received with frame size <= 36 bytes.
mediaIndStatsRxFramesTooLong	Number of Fibre Channel frames received with frame size higher than the provisioned maximum frame size.
mediaIndStatsRxFramesBadCRC	Number of Fibre Channel frames received with bad CRC.
mediaIndStatsTxFramesBadCRC	Number of Fibre Channel frames transmitted with bad CRC.
fcStatsLinkRecoveries	Number of link recoveries.
fcStatsRxCredits	Number of buffers received to buffer credits T (valid only if distance extension is enable).
fcStatsTxCredits	Number of buffers transmitted to buffer credits T (valid only if distance extension is enable).
fcStatsZeroTxCredits	Number of transmit attempts that failed because of unavailable credits.
8b10bInvalidOrderedSets	8b10b loss of sync count on Fibre Channel line side.
8b10bStatsEncodingDispErrors	8b10b disparity violations count on Fibre Channel line side.
gfpStatsCSFRaised	Number of GFP Client Signal Fail frames detected.

15.8.1.2 FC_MR-4 Utilization Window

The Utilization window shows the percentage of Tx and Rx line bandwidth used by the ports during consecutive time segments. The Utilization window provides an Interval menu that enables you to set time intervals of 1 minute, 15 minutes, 1 hour, and 1 day. Line utilization is calculated with the following formulas:

$$Rx = (inOctets + inPkts * 24) * 8 / 100\% \text{ interval} * \text{maxBaseRate}$$

$$Tx = (outOctets + outPkts * 24) * 8 / 100\% \text{ interval} * \text{maxBaseRate}$$

The interval is defined in seconds. The maxBaseRate is defined by raw bits per second in one direction for the port (that is, 1 Gbps or 2 Gbps). The maxBaseRate for FC_MR-4 cards is shown in [Table 15-22](#).

Table 15-22 maxBaseRate for STS Circuits

STS	maxBaseRate
STS-24	850000000
STS-48	850000000 x 2 ¹

1. For 1 Gigabit of bit rate being transported, there is only 850 Mbps of actual data because of 8b->10b conversion. Similarly, for 2 G of bit rate being transported there is only 850 Mbps x 2 of actual data.

**Note**

Line utilization numbers express the average of ingress and egress traffic as a percentage of capacity.

15.8.1.3 FC_MR-4 History Window

The History window lists past FC_MR-4 statistics for the previous time intervals. Depending on the selected time interval, the History window displays the statistics for each port for the number of previous time intervals as shown in [Table 15-23](#). The parameters are defined in [Table 15-9 on page 15-21](#).

Table 15-23 *FC_MR-4 History Statistics per Time Interval*

Time Interval	Number of Intervals Displayed
1 minute	60 previous time intervals
15 minutes	32 previous time intervals
1 hour	24 previous time intervals
1 day (24 hours)	7 previous time intervals

