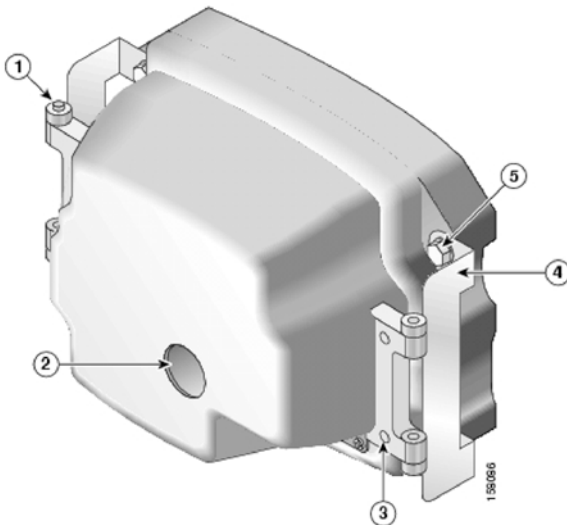


Protective End Cap Cover for Cisco 3230 Rugged Enclosure Bundles

Protective End Cap Cover

A protective end cap cover (Figure 1) weatherproofs the ports on the end caps of the Cisco 3200 Rugged Enclosure for outdoor installations. The cover also provides added protection for in-vehicle use, inhibiting potential damage from objects that are stored near the enclosure inside a vehicle.

Figure 1. Cisco 3200 Rugged Enclosure Protective End Cap Cover



1	Hinge point	4	Hinge/mounting bracket
2	NEC cable pass-through	5	Mounting bolt
3	Holes for 8-32 protective end cap cover screws		

To attach the protective end cap cover to the enclosure, follow these steps (refer to Figure 1):

- Step 1. Loosen the end cap mounting hardware (four 1/4-20 bolts), but do not remove.
- Step 2. Slide the hinge brackets onto the right and left sides of the end cap cover. The mounting tabs should slide under the loosened bolts.
- Step 3. Retorque the two loosened bolts on the right side of the end cap cover to 58-68 lb-inch.
- Step 4. Ensure that the gasket is fully seated in the protective end cap cover.
- Step 5. Close the end cap cover and ensure that it is fully seated.
- Step 6. Retorque the end cap cover bolts on left side of the cover to 58-68 lb-inch.
- Step 7. Tighten the 8-32 protective cover screws (18 lb-inch) until they are seated.

To provide a seal tight connection around the cables, a Liquid Tight Connector is recommended. Liquid tight seals are available off the shelf at local hardware stores. Information on liquid tight seal connectors can be found at the following url:

http://www.newark.com/NewarkWebCommerce/newark/en_US/mfr/brands.jsp?mfg=HUBB

Note: The Protective End Cap is designed primarily for use with the Cisco 3230 Rugged Enclosure bundles. In some cases, the Protective End Cap Cover may also be used on the Cisco 3270 Bundles. Due to the size of some connectors, The Protective End Cap Cover may not work with the Cisco 3270 when connectors are plugged into the smart serial or fiber interfaces.



Corporate Headquarters
Cisco Systems, Inc.
170 West Tasman Drive
San Jose, CA 95134-1706
USA
www.cisco.com
Tel: 408 526-4000
800 553-NETS (6387)
Fax: 408 526-4100

European Headquarters
Cisco Systems International BV
Haarlerbergpark
Haarlerbergweg 13-19
1101 CH Amsterdam
The Netherlands
www-europe.cisco.com
Tel: 31 0 20 357 1000
Fax: 31 0 20 357 1100

Americas Headquarters
Cisco Systems, Inc.
170 West Tasman Drive
San Jose, CA 95134-1706
USA
www.cisco.com
Tel: 408 526-7660
Fax: 408 527-0883

Asia Pacific Headquarters
Cisco Systems, Inc.
168 Robinson Road
#28-01 Capital Tower
Singapore 068912
www.cisco.com
Tel: +65 6317 7777
Fax: +65 6317 7799

Cisco Systems has more than 200 offices in the following countries and regions. Addresses, phone numbers, and fax numbers are listed on the **Cisco.com Website at www.cisco.com/go/offices.**

Argentina • Australia • Austria • Belgium • Brazil • Bulgaria • Canada • Chile • China PRC • Colombia • Costa Rica • Croatia • Cyprus • Czech Republic
Denmark • Dubai, UAE • Finland • France • Germany • Greece • Hong Kong SAR • Hungary • India • Indonesia • Ireland • Israel • Italy
Japan • Korea • Luxembourg • Malaysia • Mexico • The Netherlands • New Zealand • Norway • Peru • Philippines • Poland • Portugal
Puerto Rico • Romania • Russia • Saudi Arabia • Scotland • Singapore • Slovakia • Slovenia • South Africa • Spain • Sweden
Switzerland • Taiwan • Thailand • Turkey • Ukraine • United Kingdom • United States • Venezuela • Vietnam • Zimbabwe

Copyright © 2006 Cisco Systems, Inc. All rights reserved. CCSP, CCVP, the Cisco Square Bridge logo, Follow Me Browsing, and StackWise are trademarks of Cisco Systems, Inc.; Changing the Way We Work, Live, Play, and Learn, and iQuick Study are service marks of Cisco Systems, Inc.; and Access Registrar, Aironet, BPX, Catalyst, CCDA, CCDP, CCIE, CCIP, CCNA, CCNP, Cisco, the Cisco Certified Internetwork Expert logo, Cisco IOS, Cisco Press, Cisco Systems, Cisco Systems Capital, the Cisco Systems logo, Cisco Unity, Enterprise/Solver, EtherChannel, EtherFast, EtherSwitch, Fast Step, FormShare, GigaDrive, GigaStack, HomeLink, Internet Quotient, IOS, IP/TV, iQ Expertise, the iQ logo, iQ Net Readiness Scorecard, LightStream, Linksys, MeetingPlace, MGX, the Networkers logo, Networking Academy, Network Registrar, Packet, PIX, Post-Routing, Pre-Routing, ProConnect, RateMUX, ScriptShare, ScriptShare, SlideCast, SMARTnet, The Fastest Way to Increase Your Internet Quotient, and TransPath are registered trademarks of Cisco Systems, Inc. and/or its affiliates in the United States and certain other countries.

All other trademarks mentioned in this document or Website are the property of their respective owners. The use of the word partner does not imply a partnership relationship between Cisco and any other company. (0601R)