



Installation Notes for Catalyst 3750-E and Catalyst 3560-E Switch Fan Modules

This document provides the removal and installation procedure for the fan module used with the Catalyst 3750-E and Catalyst 3560-E switches.

For more information about using the fan module, see the *Catalyst 3750-E and Catalyst 3560-E Switch Hardware Installation Guide* on Cisco.com.

For translations of the safety warnings that appear in this publication, see the *Regulatory Compliance and Safety Information for the Catalyst 3750-E and Catalyst 3560-E Switch* that shipped with the switch and also available on Cisco.com.

Contents

This document includes these sections:

- [Product Overview, page 2](#)
- [Fan Module Installation, page 2](#)
- [Technical Specifications, page 4](#)
- [Related Publications, page 5](#)
- [Obtaining Documentation and Submitting a Service Request, page 6](#)
- [Documentation Feedback, page 7](#)
- [Cisco Product Security Overview, page 7](#)
- [Obtaining Technical Assistance, page 8](#)
- [Obtaining Additional Publications and Information, page 9](#)



Corporate Headquarters:
Cisco Systems, Inc., 170 West Tasman Drive, San Jose, CA 95134-1706 USA

© 2006 Cisco Systems, Inc. All rights reserved.

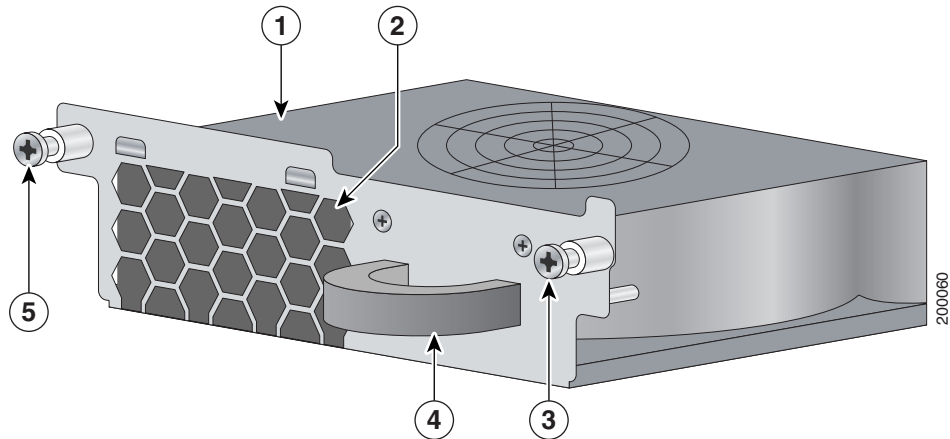
Product Overview

Table 1 describes the fan module and part number, and Figure 1 shows the fan module.

Table 1 Fan Module Part Number and Description

Part number	Description
C3K-BLWR-60CFM	Fan module

Figure 1 Fan Module



1	Fan module	4	Extraction handle
2	Exhaust vent	5	Captive screw
3	Captive screw		

Fan Module Installation

This section describes how to remove and install a new or replacement fan module in a Catalyst 3750-E or Catalyst 3560-E switch. See these sections:

- [Tools and Equipment, page 3](#)
- [Installation Guidelines, page 3](#)
- [Installing a Fan Module, page 3](#)

Tools and Equipment

Obtain these necessary tools and equipment:

Ratcheting torque screwdriver with a number-2 Phillips head that exerts up to 15 pound-force inches (lbf-in.) or 240 ounce-force inches (ozf-in.) of pressure.

Installation Guidelines

Observe these guidelines when removing or installing a fan module:

- Do not force the fan module into the slot. This can damage the pins on the switch if they are not aligned with the module.
- A fan module that is only partially connected to the switch can disrupt the system operation.
- The switch supports hot swapping of the fan module. You can remove and replace the module without interrupting normal switch operation.
- When replacing the fan module, complete the replacement procedure within 2 minutes to avoid overheating the switch.
- Make sure that all fan module captive screws are tightened before moving the switch.



Warning

Only trained and qualified personnel should be allowed to install, replace, or service this equipment.
Statement 1030



Warning

Do not work on the system or connect or disconnect cables during periods of lightning activity.
Statement 1001

Installing a Fan Module

To remove and install a fan module, follow these steps:

Step 1

Use a number-2 Phillips screwdriver to loosen the two captive screws that secure the fan module to the switch chassis.



Caution

You should replace the fan module within 2 minutes to avoid overheating the switch.

Step 2

Remove the fan module from the fan slot by pulling on the extraction handle.

Step 3

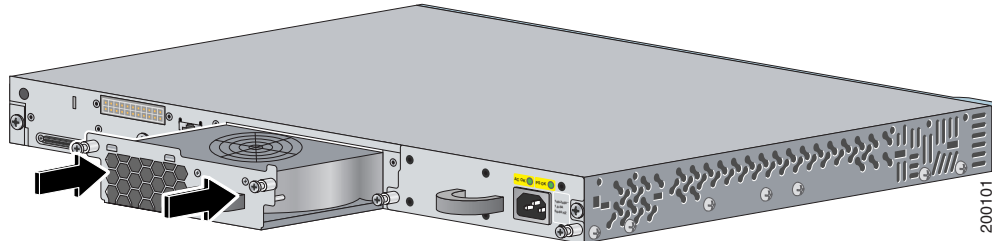
Insert the new fan module into the fan slot, and gently push the module into the slot (Figure 2). When correctly inserted, the fan module is flush with the switch rear panel.



Warning

Do not reach into a vacant slot or chassis while you install or remove a module or a fan. Exposed circuitry could constitute an energy hazard. Statement 206

Figure 2 *Inserting the Fan Module*



Step 4 Align the two captive screws with the screw holes in the switch rear panel. Using a ratcheting torque screwdriver, torque each screw to 5 lbf-in. (80 ozf-in.).

Technical Specifications

Table 2 *Fan Module Environmental and Physical Specifications*

Environmental Ranges	
Operating temperature	23 to 113° F (–5 to 45° C)
Storage temperature	–40 to 158° F (–40 to 70° C)
Relative humidity	10 to 95% (noncondensing)
Altitude	Up to 10,000 ft (3049 m)
Physical Specification	
Dimensions (H x D x W)	1.68 x 6.8 x 5.74 in. (4.27 x 17.27 x 14.58 cm)
Operating Specification	
Airflow	60 cubic feet per minute (CFM)

Table 3 Standards and Certifications

Description	Specification
Safety Certifications	UL60950-1 C-UL to CAN/CSA 22.2 No.60950-1 TUV/GS to EN 60950-1 CB to IEC 60950-1 with all country deviations AS/NZS 60950-1 CE Marking NOM (through partners and distributors)
Electromagnetic Compatibility Certifications	FCC Part 15 Class A EN55022 Class A (CISPR22) EN55024 (CISPR24) CE VCCI Class A AS/NZS CISPR22 Class A MIC China EMC certifications GOST
Environmental	Reduction of Hazardous Substances (ROHS) 5
Noise Specifications	Office Product Spec: 48dBA at 30 degrees C (refer to ISO 7779)
Telco	CLEI code

Related Publications

You can order printed copies of documents with a DOC-xxxxxx= number. For more information, see the [“Obtaining Documentation and Submitting a Service Request”](#) section on page 6.

These documents provide complete information about the switch and are available on Cisco.com:

- *Regulatory Compliance and Safety Information for the Catalyst 3750-E and Catalyst 3560-E Switch* (order number DOC-7817569=)
- *Catalyst 3750-E and Catalyst 3560-E Switch Hardware Installation Guide* (not orderable but available on Cisco.com)
- *Catalyst 3750-E Switch Getting Started Guide* (order number DOC-7817568=)
- *Catalyst 3560-E Switch Getting Started Guide* (order number DOC-7817617=)
- *Release Notes for the Catalyst 3750-E and Catalyst 3560-E Switch* (not orderable but available on Cisco.com)
- *Catalyst 3750-E and Catalyst 3560-E Switch Software Configuration Guide* (not orderable but available on Cisco.com)
- *Catalyst 3750-E and Catalyst 3560-E Switch Command Reference* (not orderable but available on Cisco.com)
- *Catalyst 3750-E and Catalyst 3560-E Switch System Message Guide* (not orderable but available on Cisco.com)
- *Catalyst 3750-E and Catalyst 3560-E Switch Stack Compatibility Guide* (not orderable but available on Cisco.com)

- *Cisco Redundant Power System 2300 Hardware Installation Guide* (order number DOC-7817647=)
- *Cisco Redundant Power System 2300 Compatibility Matrix* (not orderable but available on Cisco.com)

Obtaining Documentation and Submitting a Service Request

For information on obtaining documentation, submitting a service request, and gathering additional information, see the monthly *What's New in Cisco Product Documentation*, which also lists all new and revised Cisco technical documentation, at:

<http://www.cisco.com/en/US/docs/general/whatsnew/whatsnew.html>

Subscribe to the *What's New in Cisco Product Documentation* as a Really Simple Syndication (RSS) feed and set content to be delivered directly to your desktop using a reader application. The RSS feeds are a free service and Cisco currently supports RSS version 2.0.

This document is to be used in conjunction with the documents listed in the "Related Publications" section.

CCVP, the Cisco Logo, and the Cisco Square Bridge logo are trademarks of Cisco Systems, Inc.; Changing the Way We Work, Live, Play, and Learn is a service mark of Cisco Systems, Inc.; and Access Registrar, Aironet, BPX, Catalyst, CCDA, CCDP, CCIE, CCIP, CCNA, CCNP, CCSP, Cisco, the Cisco Certified Internetwork Expert logo, Cisco IOS, Cisco Press, Cisco Systems, Cisco Systems Capital, the Cisco Systems logo, Cisco Unity, Enterprise/Solver, EtherChannel, EtherFast, EtherSwitch, Fast Step, Follow Me Browsing, FormShare, GigaDrive, GigaStack, HomeLink, Internet Quotient, IOS, IP/TV, iQ Expertise, the iQ logo, iQ Net Readiness Scorecard, iQuick Study, LightStream, Linksys, MeetingPlace, MGX, Networking Academy, Network Registrar, *Packet*, PIX, ProConnect, RateMUX, ScriptShare, SlideCast, SMARTnet, StackWise, The Fastest Way to Increase Your Internet Quotient, and TransPath are registered trademarks of Cisco Systems, Inc. and/or its affiliates in the United States and certain other countries.

All other trademarks mentioned in this document or Website are the property of their respective owners. The use of the word partner does not imply a partnership relationship between Cisco and any other company. (0609R)

Any Internet Protocol (IP) addresses used in this document are not intended to be actual addresses. Any examples, command display output, and figures included in the document are shown for illustrative purposes only. Any use of actual IP addresses in illustrative content is unintentional and coincidental.

© 2006 Cisco Systems, Inc. All rights reserved.

Printed in China PRC