



Removing and Installing CompactFlash Memory Cards in Cisco 2800 Series Routers

This document describes installing and replacing CompactFlash memory cards in Cisco 2800 series integrated services routers. It contains the following sections:

- [Preventing Electrostatic Discharge Damage, page 1](#)
- [Removing a CompactFlash Memory Card, page 1](#)
- [Installing a CompactFlash Memory Card, page 2](#)

Preventing Electrostatic Discharge Damage

CompactFlash memory cards are sensitive to electrostatic discharge (ESD) damage, which can occur when electronic cards or components are handled improperly, results in complete or intermittent failures.

To prevent ESD damage, follow these guidelines:

- Always use an ESD wrist or ankle strap and ensure that it makes good skin contact.
- Connect the equipment end of the strap to an unfinished chassis surface.
- Place a removed CompactFlash memory card on an antistatic surface or in a static shielding bag. If the card will be returned to the factory, immediately place it in a static shielding bag.
- Avoid contact between the card and clothing. The wrist strap protects the card from ESD voltages on the body only; ESD voltages on clothing can still cause damage.
- Do not remove the wrist strap until the installation is complete.



Caution

For safety, periodically check the resistance value of the antistatic strap. The measurement should be between 1 and 10 megohms (Mohms).

Removing a CompactFlash Memory Card

To remove a CompactFlash memory card from the chassis, perform the following steps (see [Figure 1](#)):



Corporate Headquarters:
Cisco Systems, Inc., 170 West Tasman Drive, San Jose, CA 95134-1706 USA

Copyright © 2004 Cisco Systems, Inc. All rights reserved.



Caution

Do not remove a CompactFlash memory card from the chassis while it is being accessed. The CF LED blinks to indicate when flash memory is being accessed. Removing the CompactFlash memory card from the router while flash memory is being accessed can cause damage to your router.

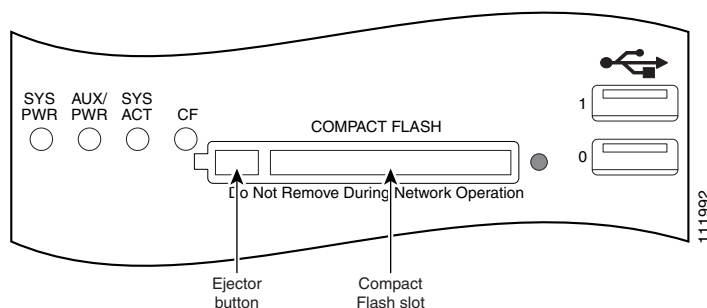
- Step 1** Press the ejector button next to the CompactFlash memory card. The ejector button moves outward so that it projects from the panel.
- Step 2** Press the ejector button again. This ejects the CompactFlash memory card part-way out of its slot.
- Step 3** Pull the CompactFlash memory card out of its slot.
- Step 4** Push the ejector button in until the button is flush with the bezel.



Caution

To prevent damage to the ejector mechanism, the ejector button must remain pressed all the way in (flush against the bezel) when not being used to eject a CompactFlash memory card.

Figure 1 CompactFlash Memory Card Slot in Cisco 2800 Series Routers



Installing a CompactFlash Memory Card

To install a CompactFlash memory card, perform the following steps (see [Figure 1](#)):

- Step 1** Make sure that the ejector button is fully seated so that it does not project out from the panel.



Note If the ejector button is projecting out from the panel, push it in until it is flush with the bezel.

- Step 2** Insert the CompactFlash memory card into the slot until it is fully seated. The ejector button remains flush with the panel.



Note If the ejector button is projecting from the panel after you insert the CompactFlash memory card, remove the CompactFlash memory card, press the ejector button until it clicks, and reinsert the CompactFlash memory card.

**Caution**

To prevent damage to the ejector mechanism, the ejector button must remain fully seated when not being used to eject a CompactFlash memory card.

CCVP, the Cisco logo, and Welcome to the Human Network are trademarks of Cisco Systems, Inc.; Changing the Way We Work, Live, Play, and Learn is a service mark of Cisco Systems, Inc.; and Access Registrar, Aironet, Catalyst, CCDA, CCDP, CCIE, CCIP, CCNA, CCNP, CCSP, Cisco, the Cisco Certified Internetwork Expert logo, Cisco IOS, Cisco Press, Cisco Systems, Cisco Systems Capital, the Cisco Systems logo, Cisco Unity, Enterprise/Solver, EtherChannel, EtherFast, EtherSwitch, Fast Step, Follow Me Browsing, FormShare, GigaDrive, HomeLink, Internet Quotient, IOS, iPhone, IP/TV, iQ Expertise, the iQ logo, iQ Net Readiness Scorecard, iQuick Study, LightStream, Linksys, MeetingPlace, MGX, Networkers, Networking Academy, Network Registrar, PIX, ProConnect, ScriptShare, SMARTnet, StackWise, The Fastest Way to Increase Your Internet Quotient, and TransPath are registered trademarks of Cisco Systems, Inc. and/or its affiliates in the United States and certain other countries.

All other trademarks mentioned in this document or Website are the property of their respective owners. The use of the word partner does not imply a partnership relationship between Cisco and any other company. (0711R)

Copyright © 2004 Cisco Systems, Inc. All rights reserved.