

Preguntas frecuentes sobre la configuración del router Cisco 827

Contenido

[Introducción](#)

[¿Cómo configuro el Cisco 827 para interligar del RFC1483?](#)

[¿Cómo configuro el Cisco 827 para el RFC1483 que interliga con el Integrated Routing and Bridging \(IRB\)?](#)

[¿Cómo yo configuran el Cisco 827 para el RFC1483 que interliga con el IRB y el Port Address Translation \(PAT\) cuando yo asignan un direccionamiento usable de mi proveedor?](#)

[¿Cómo yo configuran el Cisco 827 para el RFC1483 que interliga con el IRB y el Network Address Translation \(NAT\) cuando yo asignan un bloque de los direccionamientos usables de mi proveedor?](#)

[¿Cómo configuro el Cisco 827 para rutear del RFC1483?](#)

[¿Cómo configuro el Cisco 827 para el RFC1483 que rutea con la PALMADITA cuando yo asignan un direccionamiento usable de mi proveedor?](#)

[¿Cómo configuro el Cisco 827 para el RFC1483 que rutea con el NAT cuando yo asignan un bloque de los direccionamientos usables de mi proveedor?](#)

[¿Cómo configuro el Cisco 827 para el PPP over ATM \(PPPoA\) con el Protocolo de control de Protocolo de Internet \(IPCP\)?](#)

[¿Cómo configuro el Cisco 827 para IP fácil \(fase 1\) con la PALMADITA y el PPP/IPCP?](#)

[¿Cómo configuro el Cisco 827, actuando como servidor DHCP, para IP fácil \(fase 2\)?](#)

[¿Cómo configuro el Cisco 827, actuando como relé DHCP, para IP fácil \(fase 2\)?](#)

[¿Cómo configuro el Cisco 827 para ser un Cliente de DHCP con la PALMADITA?](#)

[¿Cómo configuro el Cisco 827 para el PPP over Ethernet \(PPPoE\)?](#)

[¿Puedo configurar el Cisco 827 como Cliente de PPPoE?](#)

[¿Cómo configuro el Cisco 827-4V para la voz sobre IP básica \(VoIP\)?](#)

[¿Cómo configuro el Calidad de Servicio \(QoS\) para la Voz?](#)

[¿Cómo configuro el Cisco 827-4V para registrarme con un portero de H.323?](#)

[¿Cómo configuro la codificación de línea en mi interfaz ADSL del Cisco 827?](#)

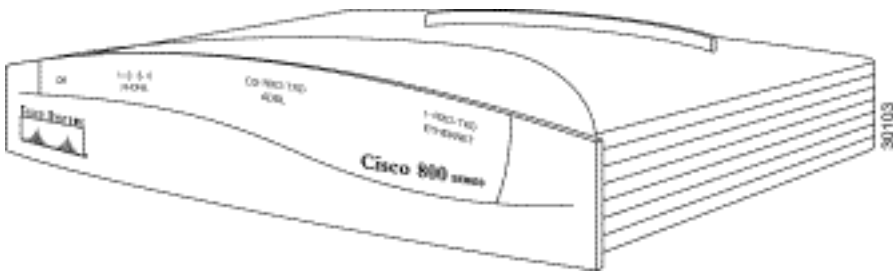
[¿Cómo configuro el NAT y la PALMADITA para apoyar a un servidor de Web interno?](#)

[Información Relacionada](#)

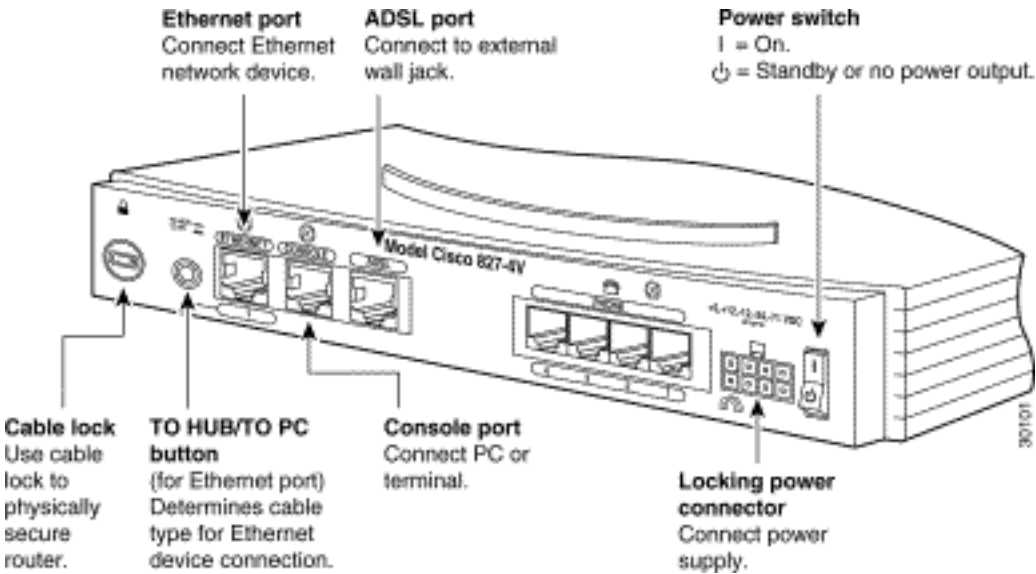
Introducción

Este documento aborda las preguntas más frecuentes con respecto a la configuración del Cisco 827 Router.

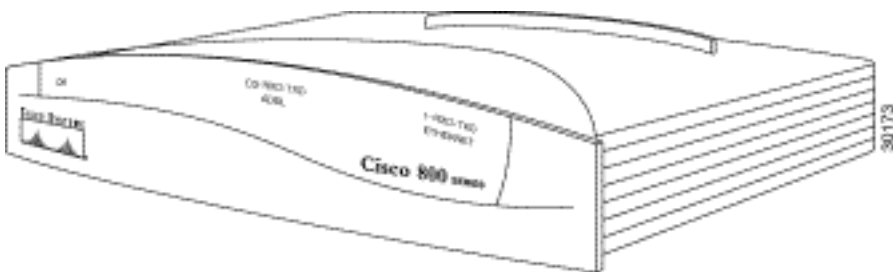
Panel frontal del Cisco 827-4V



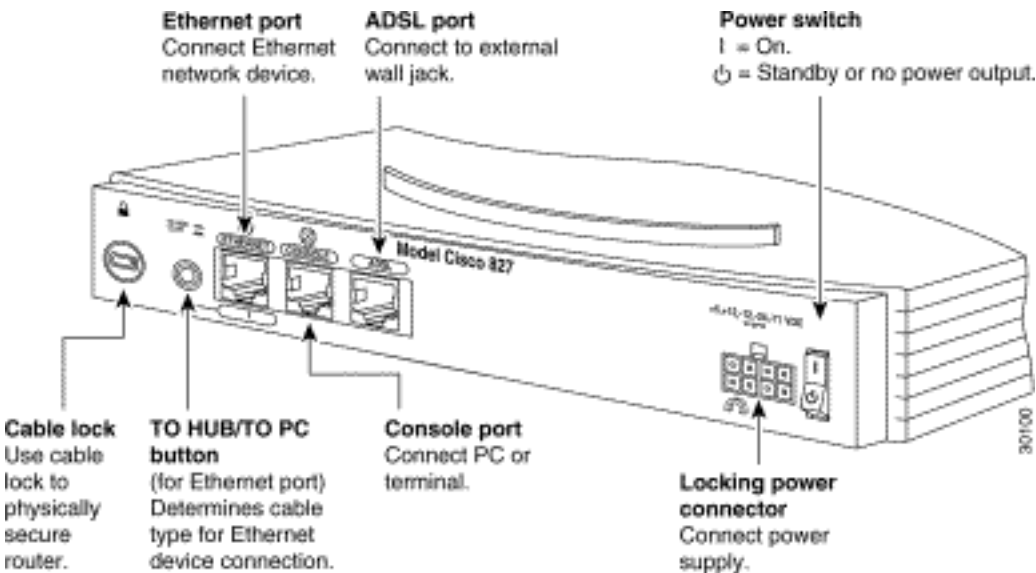
Panel posterior del Cisco 827-4V



Panel frontal del Cisco 827



Panel posterior del Cisco 827



Q. ¿Cómo configuro el Cisco 827 para interligar del RFC1483?

```
!  
no ip routing  
!--- Disable IP routing. ! interface Ethernet0 no ip address no ip directed-broadcast bridge-  
group 1 !--- Specify the bridge-group number the interface belongs to. ! interface ATM0 no ip  
address no ip directed-broadcast no atm ilmi-keepalive pvc 1/35 !--- VPI/VCI assigned to you by  
your provider. ! encapsulation aal5snap ! bridge-group 1 !--- Specify the bridge-group number  
the interface belongs to. ! bridge 1 protocol ieee !
```

Q. ¿Cómo configuro el Cisco 827 para el RFC1483 que interliga con el Integrated Routing and Bridging (IRB)?

```
!  
bridge irb !--- Enable IRB. ! interface Ethernet0 ip address 192.168.1.1  
255.255.255.0 no ip directed-broadcast ! interface ATM0 no ip address no ip directed-broadcast  
no atm ilmi-keepalive bundle-enable ! interface ATM0.1 point-to-point no ip directed-broadcast  
pvc 1/35 !--- VPI/VCI assigned to you by your provider. ! encapsulation aal5snap ! bridge-group  
1 !--- Specify the bridge-group number the interface belongs to. ! interface BV11 !--- A routed  
interface from the WAN bridge-group to the !--- nonbridged LAN interface. ! ip address  
192.168.2.1 255.255.255.0 no ip directed-broadcast ! ip route 0.0.0.0 0.0.0.0 192.168.2.254 !---  
Configure the default gateway. ! bridge 1 protocol ieee bridge 1 route ip !--- Enable IP routing  
to and from bridge-group 1. !
```

Q. ¿Cómo yo configuran el Cisco 827 para el RFC1483 que interliga con el IRB y el Port Address Translation (PAT) cuando yo asignan un direccionamiento usable de mi proveedor?

```
!  
bridge irb  
!--- Enable IRB. ! interface Ethernet0 ip address 192.168.1.1 255.255.255.0 no ip directed-  
broadcast ip nat inside !--- Establish the interface as the inside interface. ! interface ATM0  
no ip address no ip directed-broadcast no atm ilmi-keepalive bundle-enable ! interface ATM0.1  
point-to-point no ip directed-broadcast pvc 1/35 !--- VPI/VCI assigned to you by your provider.  
! encapsulation aal5snap ! bridge-group 1 !--- Specify bridge-group number the interface belongs  
to. ! interface BV11 !--- A routed interface from the WAN bridge-group !--- to the nonbridged  
LAN interface. ! ip address 192.168.2.1 255.255.255.0 no ip directed-broadcast ip nat outside !-  
-- Establish the interface as the outside interface. ! ! ip nat inside source list 1 interface  
BV11 overload !--- Enable dynamic translation of addresses permitted by the !--- access-list to  
the address specified in the BVI interface. ! ip route 0.0.0.0 0.0.0.0 192.168.2.254 !---  
Configure the default gateway. ! access-list 1 permit 192.168.1.0 0.0.0.255 !--- Define a  
standard access-list permitting addresses that !--- need translation. ! bridge 1 protocol ieee  
bridge 1 route ip !--- Enable IP routing to and from bridge-group 1. !
```

Q. ¿Cómo yo configuran el Cisco 827 para el RFC1483 que interliga con el IRB y el Network Address Translation (NAT) cuando yo asignan un bloque de los direccionamientos usables de mi proveedor?

```
!  
bridge irb !--- Enable IRB. ! interface Ethernet0 ip address 192.168.1.1  
255.255.255.0 no ip directed-broadcast ip nat inside !--- Establish the interface as the inside  
interface. ! interface ATM0 no ip address no ip directed-broadcast no atm ilmi-keepalive bundle-  
enable ! interface ATM0.1 point-to-point no ip directed-broadcast pvc 1/35 !--- VPI/VCI assigned  
to you by your provider. ! encapsulation aal5snap ! bridge-group 1 !--- Specify bridge-group  
number the interface belongs to. ! interface BV11 !--- A routed interface from the WAN bridge-  
group to the !--- nonbridged LAN interface. ! ip address 192.168.2.1 255.255.255.0 no ip
```

```

directed-broadcast ip nat outside !--- Establish the interface as the outside interface. ! ip
nat pool POOL-A 192.168.2.2 192.168.2.10 netmask 255.255.255.0 !--- Create a pool of global IP
addresses for NAT. ! ip nat inside source list 1 pool POOL-A overload !--- Enable dynamic
translation of addresses permitted by the !--- access-list to one of the addresses specified in
the pool. ! ip route 0.0.0.0 0.0.0.0 192.168.2.254 !--- Configure the default gateway. ! access-
list 1 permit 192.168.1.0 0.0.0.255 !--- Define a standard access-list permitting addresses that
!--- need translation. ! bridge 1 protocol ieee bridge 1 route ip !--- Enable IP routing to and
from bridge-group 1. !

```

Q. ¿Cómo configuro el Cisco 827 para rutear del RFC1483?

```

!
interface Ethernet0
 ip address 192.168.1.1 255.255.255.0
 no ip directed-broadcast
!
interface ATM0
 no ip address
 no ip directed-broadcast
 no atm ilmi-keepalive
 bundle-enable
!
interface ATM0.1 point-to-point
 ip address 192.168.2.1 255.255.255.0
 pvc 1/35
 !--- VPI/VCI assigned to you by your provider. ! protocol ip 192.168.2.2 broadcast !--- Set the
protocol broadcast for the IP address. ! encapsulation aal5snap !! ip route 0.0.0.0 0.0.0.0
192.168.2.2 !--- Configure the default gateway. !

```

Q. ¿Cómo configuro el Cisco 827 para el RFC1483 que rutea con la PALMADITA cuando yo asignan un direccionamiento usable de mi proveedor?

```

!
interface Ethernet0
 ip address 192.168.1.1 255.255.255.0
 no ip directed-broadcast
 ip nat inside
 !--- Establish the interface as the inside interface. ! interface ATM0 no ip address no ip
directed-broadcast no atm ilmi-keepalive bundle-enable ! interface ATM0.1 point-to-point ip
address 192.168.2.1 255.255.255.0 ip nat outside !--- Establish the interface as the outside
interface. ! pvc 1/35 !--- VPI/VCI assigned to you by your provider. ! protocol ip 192.168.2.2
broadcast !--- Set the protocol broadcast for the IP address. ! encapsulation aal5snap !! ip
nat inside source list 1 interface ATM0.1 overload !--- Enable the dynamic translation of
addresses permitted by the !--- access-list to the address specified in the ATM interface. ! ip
route 0.0.0.0 0.0.0.0 192.168.2.2 !--- Configure the default gateway. ! access-list 1 permit
192.168.1.0 0.0.0.255 !--- Define a standard access-list permitting addresses that !--- need
translation. !

```

Q. ¿Cómo configuro el Cisco 827 para el RFC1483 que rutea con el NAT cuando yo asignan un bloque de los direccionamientos usables de mi proveedor?

```

!
interface Ethernet0
 ip address 192.168.1.1 255.255.255.0
 no ip directed-broadcast
 ip nat inside
 !--- Establish the interface as the inside interface. ! interface ATM0 no ip address no ip
directed-broadcast no atm ilmi-keepalive bundle-enable ! interface ATM0.1 point-to-point ip
address 192.168.2.1 255.255.255.0 ip nat outside !--- Establish the interface as the outside

```

```

interface. ! pvc 1/35 !--- VPI/VCI assigned to you by your provider. protocol ip 192.168.2.2
broadcast !--- Set the protocol broadcast for the IP address. ! encapsulation aal5snap ! ! ip
nat pool POOL-A 192.168.2.2 192.168.2.10 netmask 255.255.255.0 !--- Create a pool of global IP
addresses for NAT. ! ip nat inside source list 1 pool POOL-A overload !--- Enable dynamic
translation of addresses permitted by !--- the access-list to one of the addresses specified in
the pool. ! ip route 0.0.0.0 0.0.0.0 192.168.2.2 !--- Configure the default gateway. ! access-
list 1 permit 192.168.1.0 0.0.0.255 !--- Define a standard access-list permitting addresses that
!--- need translation. !

```

Q. ¿Cómo configuro el Cisco 827 para el PPP over ATM (PPPoA) con el Protocolo de control de Protocolo de Internet (IPCP)?

```

!
interface Ethernet0
 ip address 192.168.1.1 255.255.255.0
 no ip directed-broadcast
!
interface ATM0
 no ip address
 no ip directed-broadcast
 no atm ilmi-keepalive
 bundle-enable
!
interface ATM0.1 point-to-point
 no ip directed-broadcast
 pvc 1/35
 !--- VPI/VCI assigned to you by your provider. ! encapsulation aal5mux ppp dialer !--- Specify
the encapsulation type for the PVC to be !--- aal5mux (PPP) and point back to the dialer
interface. ! dialer pool-member 1 !--- Specify a dialer pool-member. ! ! interface Dialer1 ip
address negotiated !--- Configure a negotiated IP address. ! no ip directed-broadcast
encapsulation ppp dialer pool 1 !--- Specify which dialer pool number you are using. ! ip route
0.0.0.0 0.0.0.0 Dialer1 !--- Configure the default gateway. !

```

Q. ¿Cómo configuro el Cisco 827 para IP fácil (fase I) con la PALMADITA y el PPP/IPCP?

```

!
interface Ethernet0
 ip address 192.168.1.1 255.255.255.0
 no ip directed-broadcast
 ip nat inside
 !--- Establish the interface as the inside interface. ! interface ATM0 no ip address no ip
directed-broadcast no atm ilmi-keepalive bundle-enable ! interface ATM0.1 point-to-point no ip
directed-broadcast pvc 1/35 !--- VPI/VCI assigned to you by your provider. ! encapsulation
aal5mux ppp dialer !--- Specify the encapsulation type for the PVC to be !--- aal5mux (PPP) and
point back to the dialer interface. ! dialer pool-member 1 !--- Specify a dialer pool-member. !
! interface Dialer1 ip address negotiated !--- Configure a negotiated IP address. ! no ip
directed-broadcast ip nat outside !--- Establish the interface as the outside interface. !
encapsulation ppp dialer pool 1 !--- Specify which dialer pool number you are using. ! ip nat
inside source list 1 interface Dialer1 overload !--- Enable dynamic translation of addresses
permitted by the !--- access-list to the address specified in the Dialer interface. ! ip route
0.0.0.0 0.0.0.0 Dialer1 !--- Configure the default gateway. ! ! access-list 1 permit 192.168.1.0
0.0.0.255 !--- Define a standard access-list permitting addresses that !--- need translation. !

```

Q. ¿Cómo configuro el Cisco 827, actuando como servidor DHCP, para IP fácil (fase 2)?

```

!
ip dhcp pool POOL-DHCP

```

```

network 192.168.1.0 255.255.255.0
!--- Specify a range of IP addresses that can be assigned to !--- the DHCP clients. ! domain-
name cisco.com !--- Configure the domain name. ! dns-server 192.168.3.1 !--- Configure the DNS
server. ! default-router 192.168.1.1 !--- Designate the router as the default router and specify
!--- an IP address. ! ! interface Ethernet0 ip address 192.168.1.1 255.255.255.0 no ip directed-
broadcast ! interface ATM0 no ip address no ip directed-broadcast no atm ilmi-keepalive bundle-
enable ! interface ATM0.1 point-to-point no ip directed-broadcast pvc 1/35 !--- VPI/VCI assigned
to you by your provider. ! encapsulation aal5mux ppp dialer !--- Specify the encapsulation type
for the PVC to be !--- aal5mux (PPP) and point back to the dialer interface. ! dialer pool-
member 1 ### specify a dialer pool-member ! ! interface Dialer1 ip address negotiated !---
Configure a negotiated IP address. ! no ip directed-broadcast encapsulation ppp dialer pool 1 !-
-- Specify which dialer pool number you are using. ! ! ip route 0.0.0.0 0.0.0.0 Dialer1 !---
Configure the default gateway. !

```

Q. ¿Cómo configuro el Cisco 827, actuando como relé DHCP, para IP fácil (fase 2)?

```

!
interface Ethernet0
 ip address 192.168.1.1 255.255.255.0
 ip helper-address 192.168.4.1
!--- Forward default UDP broadcasts including !--- IP configuration requests to the DHCP
server. ! no ip directed-broadcast ! interface ATM0 no ip address no ip directed-broadcast no
atm ilmi-keepalive bundle-enable ! interface ATM0.1 point-to-point no ip directed-broadcast pvc
1/35 !--- VPI/VCI assigned to you by your provider. ! encapsulation aal5mux ppp dialer !---
Specify the encapsulation type for the PVC to be !--- aal5mux (PPP) and point back to the dialer
interface. ! dialer pool-member 1 !--- Specify a dialer pool-member. ! ! interface Dialer1 ip
address negotiated !--- Configure a negotiated IP address. ! no ip directed-broadcast
encapsulation ppp dialer pool 1 !--- Specify which dialer pool number you are using. ! ! ip
route 0.0.0.0 0.0.0.0 Dialer1 !--- Configure the default gateway. !

```

Q. ¿Cómo configuro el Cisco 827 para ser un Cliente de DHCP con la PALMADITA?

```

!
bridge irb
!
interface Ethernet0
 ip address 192.168.1.1 255.255.255.0
 no ip directed-broadcast
 ip nat inside
!--- Establish the interface as the inside interface. ! interface ATM0 no ip address no ip
directed-broadcast no atm ilmi-keepalive bundle-enable ! interface ATM0.1 point-to-point no ip
directed-broadcast pvc 1/35 !--- VPI/VCI assigned to you by your provider. ! encapsulation
aal5snap ! bridge-group 1 !--- Specify bridge-group number the interface belongs to. ! interface
BV11 ip address dhcp client-id Ethernet0 !--- Use the MAC address of the Ethernet interface as
!--- the client ID when the DHCP request is sent. ! no ip directed-broadcast ip nat outside !---
Establish the interface as the outside interface. ! ! ip nat inside source list 1 interface BV11
overload !--- Enable the dynamic translation of addresses permitted by !--- the access-list to
the address specified in the BVI interface. ! ip route 0.0.0.0 0.0.0.0 BV11 !--- Configure the
default gateway. ! ! access-list 1 permit 192.168.1.0 0.0.0.255 !--- Define a standard access-
list permitting !--- addresses that need translation. ! bridge 1 protocol ieee bridge 1 route ip
!--- Enable IP routing to and from bridge-group 1. !

```

Q. ¿Cómo configuro el Cisco 827 para el PPP over Ethernet (PPPoE)?

A. Consulte la configuración de [puentes RFC1483](#).

Q. ¿Puedo configurar el Cisco 827 como Cliente de PPPoE?

A. Sí, pero Software Release 12.1(3)XG o Posterior de Cisco IOS® se requiere. Por favor, consulte [Configuración del router Cisco 827 como Cliente PPPoE con NAT](#).

Q. ¿Cómo configuro el Cisco 827-4V para la voz sobre IP básica (VoIP)?

```
!  
dial-peer voice 1 pots  
  destination-pattern 1001  
  !--- Define the telephone number associated with the port. ! port 1 !--- Specify the port  
  number. ! ! dial-peer voice 10 voip destination-pattern 2... !--- Define the destination  
  telephone number. ! session target ipv4:192.168.2.8 !--- Specify a destination IP address. !  
  codec g711ulaw !--- Specify a codec if you are not !--- using the default codec of g.729. !
```

Q. ¿Cómo configuro el Calidad de Servicio (QoS) para la Voz?

A. Un solo entorno PVC en el cual el Cisco IOS proporciona la cola prioritaria (usando el CBWFQ) para la Voz y fragmentación e interpolación:

```
!  
class-map VOICE!--- Configure a class for voice. ! match access-group 101 !--- Associate the  
class with the access-list. ! ! policy-map POLICY !--- Configure a policy map. ! class VOICE !--  
- Specify the class for queuing. ! priority 480 !--- Specify strict priority for voice traffic.  
! ! interface ATM0 mtu 300 !--- Decrease MTU of ATM interface so that large !--- IP data packets  
get fragmented. ! ip address 192.168.2.1 255.255.255.0 no ip directed-broadcast no atm ilmi-  
keepalive pvc 1/35 !--- VPI/VCI assigned to you by your provider. ! service-policy out POLICY !-  
-- Associate policy map to PVC. ! vbr-rt 640 640 10 !--- Specify the service class. !  
encapsulation aal5snap ! bundle-enable ! dial-peer voice 1 pots destination-pattern 1001 !---  
Define the telephone number associated with the port. ! port 1 !--- Specify the port number. ! !  
dial-peer voice 10 voip destination-pattern 2... !--- Define the destination telephone number. !  
session target ipv4:192.168.2.8 !--- Specify a destination IP address. ! ip precedence 5 !---  
Configure IP precedence 5 for voice packets. ! ! access-list 101 permit ip any any precedence  
critical !--- Configure access-list to match voice packets. !
```

Entorno PVC múltiple en cuál están la Voz y los datos en diversas subredes:

```
!  
interface ATM0  
  no ip address  
  no ip directed-broadcast  
  no atm ilmi-keepalive  
  bundle-enable  
!  
interface ATM0.1 point-to-point  
  ip address 192.168.2.1 255.255.255.0  
  no ip directed-broadcast  
  pvc 1/35  
  !--- Voice PVC. ! protocol ip 192.168.2.2 broadcast !--- Set the protocol broadcast for the IP  
  address. ! vbr-rt 424 424 5 !--- Specify the service class. ! encapsulation aal5snap ! !  
interface ATM0.2 point-to-point ip address 192.168.3.1 255.255.255.0 no ip directed-broadcast  
pvc 1/36 !--- Data PVC. ! protocol ip 192.168.3.2 broadcast !--- Set the protocol broadcast for  
the IP address. ! encapsulation aal5snap ! ! dial-peer voice 1 pots destination-pattern 1001 !--  
- Define the telephone number associated with the port. ! port 1 !--- Specify the port number. !  
! dial-peer voice 10 voip destination-pattern 2... !--- Define the destination telephone number.  
! session target ipv4:192.168.2.8 !--- Specify a destination IP address. ! !
```

Entorno PVC múltiple en cuál están la Voz y los datos en la misma subred con liar del circuito virtual:

```

!
interface ATM0
 ip address 192.168.2.1 255.255.255.0
 no ip directed-broadcast
 no atm ilmi-keepalive
 bundle-enable
 bundle TEST
 !--- Specify a bundle name. ! protocol ip 192.168.2.2 broadcast encapsulation aal5snap pvc-
bundle data 1/36 !--- Create a PVC for the data bundle. ! precedence other !--- Set the IP
precedence level other to the data bundle. ! pvc-bundle voice 1/35 !--- Create a PVC for the
voice bundle. ! vbr-rt 424 424 5 !--- Set the service class for the voice bundle. ! precedence 5
!--- Set the IP precedence level critical to the voice bundle. ! ! ! dial-peer voice 1 pots
destination-pattern 1001 !--- Define the telephone number associated with the port. ! port 1 !--
- Specify the port number. ! ! dial-peer voice 10 voip destination-pattern 2... !--- Define the
destination telephone number. ! session target ipv4:192.168.2.8 !--- Specify a destination IP
address. ! ip precedence 5 !--- Set IP precedence to critical for voice traffic. ! !

```

Q. ¿Cómo configuro el Cisco 827-4V para registrarme con un portero de H.323?

```

!
interface ATM0
 h323-gateway voip interface
 !--- Identifies this interface as a VoIP gateway interface. ! h323-gateway voip id GATEKEEPER
ipaddr 192.168.1.2 1719 !--- Defines the name and location of the gatekeeper !--- for this
gateway. ! h323-gateway voip h323-id GATEWAY !--- Defines the H.323 name of the gateway,
identifying !--- this gateway to its associated gatekeeper. ! ! dial-peer voice 1 pots
destination-pattern 1001 !--- Define the telephone number associated with the port. ! port 1 !--
- Specify the port number. ! dial-peer voice 10 voip destination-pattern +.T !--- Define the
destination number pattern. ! session target ras !--- Specify a destination to be RAS. ! gateway
!

```

Q. ¿Cómo configuro la codificación de línea en mi interfaz ADSL del Cisco 827?

A. Inicie sesión al Cisco 827 y del enable mode, publican el **dsl operating-mode xxx** del comando cisco ios donde está su tipo el **xxx de la** codificación de línea.

Nota: La interfaz ADSL de Cisco 827 está en modo de detección automática por defecto y detectará en forma automática la codificación de línea que será utilizada cuando se conecte a su proveedor de servicios de Internet (ISP).

El siguiente ejemplo muestra la configuración de la codificación de la línea en G.LITE.

```

Router>enable
Router#
Router#configure terminal
Enter configuration commands, one per line. End with CNTL/Z.

Router(config)#interface atm 0
Router(config-if)#dsl operating-mode ?
ansi-dmt ANSI full rate mode
auto auto detect mode
itu-dmt ITU full rate mode
splitterless G-lite mode

Router(config-if)#dsl operating-mode splitterless

Router(config-if)# exit
Router(config)# exit

```



```
Router#write mem
Building configuration...
[OK]
Router#
```

El siguiente ejemplo muestra un Cisco 827 después de su configurado para el G. LITE.

```
Router#show running
Building configuration...

Current configuration : 1198 bytes
!
version 12.2
```

```
interface ATM0
 no ip address
dsl operating-mode splitterless
!--- This is G.LITE mode. ! end
```

Otra manera de verificar que la interfaz ADSL del Cisco 827 esté en el modo del G. LITE es publicar el **ATM 0** del regulador de la demostración del comando cisco ios. En la salida usted debe ver (G. Lite). Por ejemplo:

```
Router#show controller atm 0
.Snip
.Snip
.Snip
15 Real bd=0x80BFD628 Status=0x0 Buf=0x1F0222E Len=14 Own=0
16 Real bd=0x80BFD634 Status=0x2000 Buf=0x1F0222E Len=14 Own=0
      ATU-R (DS)           ATU-C (US)
Modem Status: Showtime (DMTDSL_SHOWTIME)
DSL Mode: ITU G.992.2 (G.Lite)
!--- G.LITE mode is indicated here. ITU STD NUM: 0x01 0x1 .Snip .Snip end
```

Q. ¿Cómo configuro el NAT y la PALMADITA para apoyar a un servidor de Web interno?

A. Vea [configurar la traducción de dirección de red y la traducción de la dirección de puerto estática para apoyar a un servidor de Web interno](#).

Información Relacionada

- [Preguntas frecuentes sobre el router Cisco 827](#)
- [Cisco 826, 827, 828, 831, 836, y 837 y SOHO76, 77, 78, 91, 96, y guía de configuración de software de los 97 Router](#)
- [Guía de configuración y resolución de problemas del router DSL de Cisco](#)
- [Soporte de tecnología DSL](#)
- [Routers: soporte de productos](#)
- [Soporte Técnico y Documentación - Cisco Systems](#)