



# Cisco Aironet Series Console Adapter Cable AIR-CONSADPT= Guide

---

This document provides information and instructions for using the Cisco Aironet Series Access Point Console Adapter Cable AIR-CONSADPT= (referred to as the *console adapter* in this document).

This document contains the following information:

- [Product Overview, page 2](#)
- [AIR-CONSADPT= Technical Specifications, page 3](#)
- [Important Safety Information, page 3](#)
- [Console Adapter Input and Output Connections, page 5](#)



# Product Overview

Part Number	Description
AIR-CONSADPT=	RJ-45 (RS-232) to 4-pin (3.3V TTL) console adapter

The console adapter is used to connect the RS-232 to RJ-45 console cable to Cisco Aironet access points and sensors that use the 4-pin console port as identified in their respective guides.

# AIR-CONSADPT= Technical Specifications

<b>Input voltage</b>	3.3 VDC
<b>Maximum current</b>	0.1 A
<b>Operating temperature</b>	32° to 122°F (0° to 50°C)
<b>Storage temperature</b>	-22° to 158°F (-30° to 70°C)
<b>Operating humidity</b>	Maximum 90%, Non-condensing
<b>Storage humidity</b>	Maximum 90%, Non-condensing
<b>Weather Rating</b>	Indoor use only
<b>Length</b>	2.13 in. (54 mm)
<b>Width</b>	1.18 in. (30 mm)
<b>Height</b>	0.83 in (21 mm)
<b>Weight</b>	0.5 oz (14 g)
<b>Regulatory and Safety Compliance</b>	
<b>Regulatory Compliance</b>	RoHS Compliant, WEEE Compliant
<b>Electromagnetic Emission &amp; Immunity</b>	47 CFR FCC Part 15, Subpart B, Class B ICES-003:2016 Issue 6, Class B ANSI C63.4:2014 EN 55024:2010 +A1:2015 EN 55032:2015 +AC:2016, Class B AS/NZS CISPR 32:2015, Class B EN 61000-4-3:2006 +A1:2008 +A2:2010/IEC 61000-4-3:2010 ED 3.2 EN 61000-4-8:2010/IEC 6100-4-8:2009 ED 2.0 CNS 13438-B 095/06/01 VCCI-CISPR 32:2016, Class B
<b>Safety Approvals</b>	CE UL VCCI
<b>Surge Protection</b>	Not applicable



## Important Safety Information

- Installation and removal of the console adapter must be carried out by qualified personnel only. The console adapter's Ethernet (RJ-45) port is a shielded RJ45 data socket and cannot be used as a Plain Old Telephone Service (POTS) socket. Only RJ45 console RS-232 connectors can be used with this.

- Read the installation instructions before connecting the console adapter to the console port on the Cisco Aironet device.

## Safety Precautions

Translated versions of the following safety warnings are provided in the *Safety Warnings* document that ships with the access point and is also available on Cisco.com.



Warning

---

### IMPORTANT SAFETY INSTRUCTIONS

**This warning symbol means danger. You are in a situation that could cause bodily injury. Before you work on any equipment, be aware of the hazards involved with electrical circuitry and be familiar with standard practices for preventing accidents. Use the statement number provided at the end of each warning to locate its translation in the translated safety warnings that accompanied this device. Statement 1071**

---

### SAVE THESE INSTRUCTIONS

---



Warning

**Do not work on the system or connect or disconnect cables during periods of lightning activity. Statement 1001**

---



Warning

**Read the installation instructions before connecting the system to the power source. Statement 1004**

---



Warning

**This product relies on the building's installation for short-circuit (overcurrent) protection. Ensure that the protective device is rated at not greater than 20A. Statement 1005**

---



Warning

**Only trained and qualified personnel should be allowed to install, replace, and service this equipment. Statement 1030**

---



Warning

**Ultimate disposal of this product should be handled according to all national laws and regulations. Statement 1040**

---



Warning

**To prevent the system from overheating, do not operate it in an area that exceeds the maximum recommended ambient temperature of: 131F (55C) Statement 1047**

---



Warning

**Installation of the equipment must comply with local and national electrical codes. Statement 1074**

---

# Console Adapter Input and Output Connections

The console adapter has an RJ-45 port on one end (Figure 1) and a 4-pin connector (Figure 2) on its other end.

Figure 1 RJ-45 Port on the Console Adapter

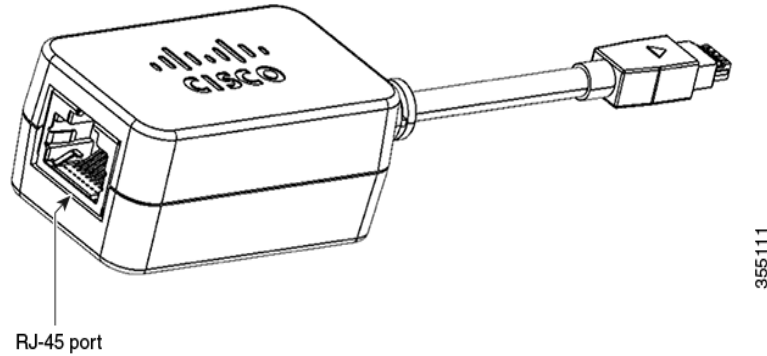


Figure 2 4-pin Connector on the Console Adapter

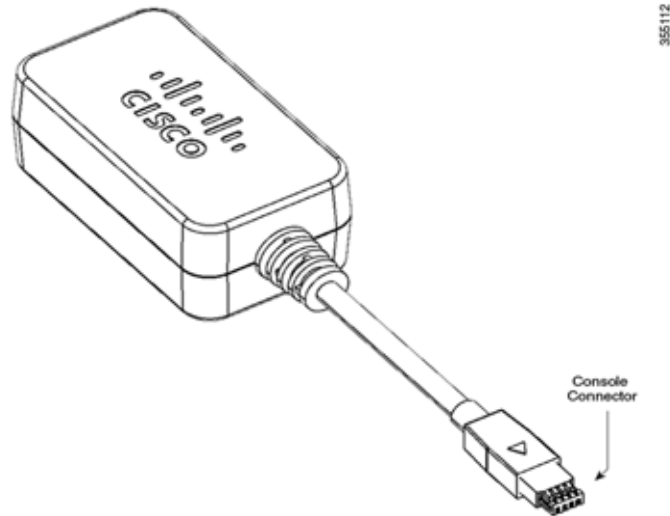


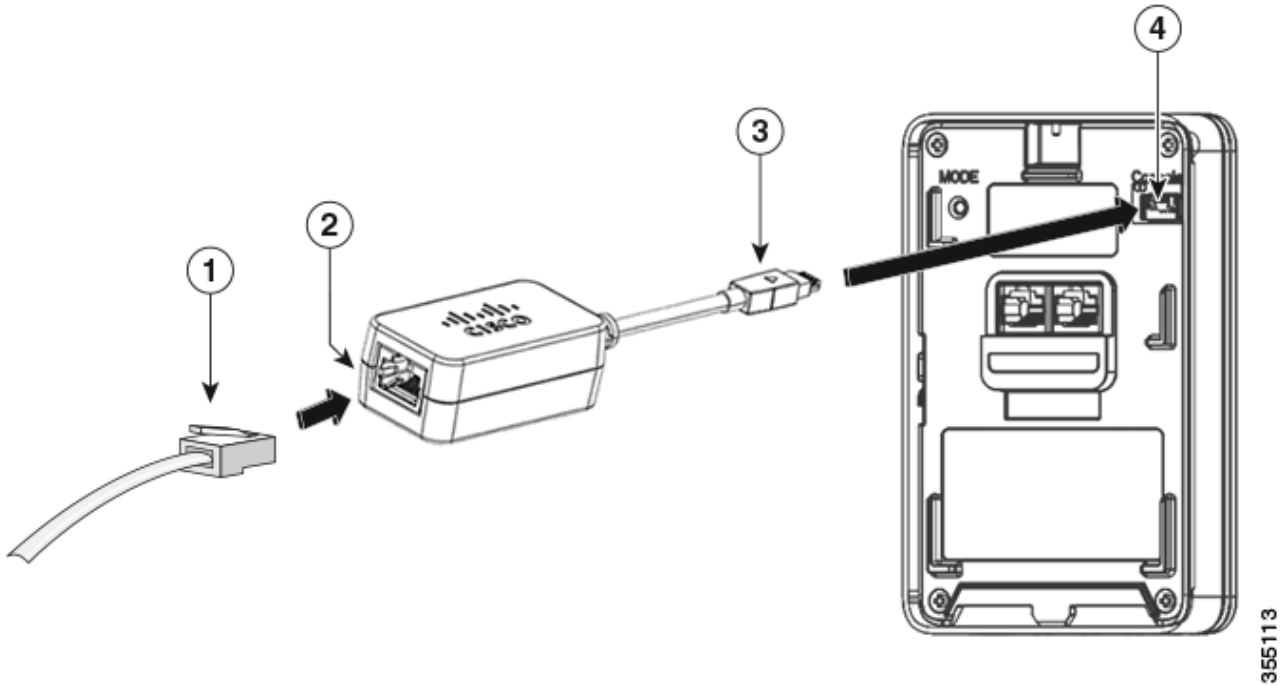
Figure 3 shows the console cable to access point assembly.



**Warning**

**The 4-pin connector is keyed and should only be installed in one orientation.**

Figure 3 Console Port to Access Point - Cable and Adapter



1	Standard blue console cable
2	RJ-45 port of console adapter
3	4-pin connector on console adapter
4	Console port on Cisco Aironet device



**Note**

The console port may be found in different locations on different products. Refer to the documentation for your Cisco Aironet device to locate its console port.

355113