



## Setting up the Power Supplies

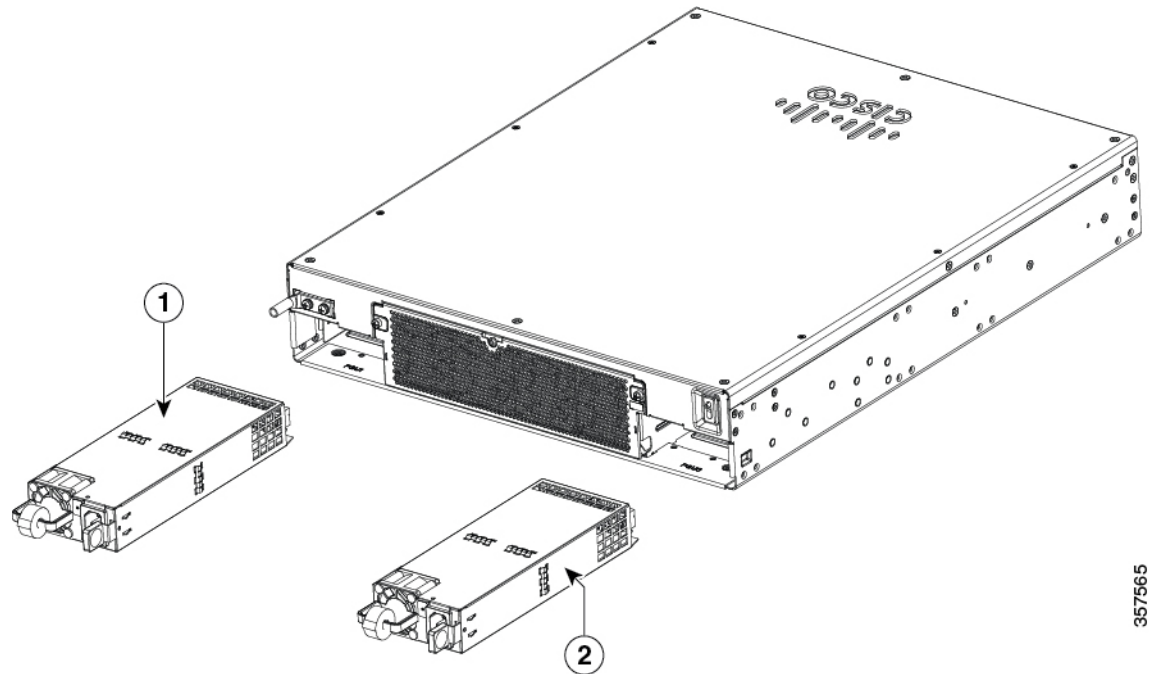
The following chapter describes the AC and DC power supplies for Cisco VG420 Voice Gateway, and how to set up the power supply for your voice gateway.

- [AC Power Supply, on page 1](#)
- [DC Power Supply, on page 4](#)

### AC Power Supply

The Cisco VG420 Voice Gateway supports a PWR-VG420-650WAC AC power supply. The following image displays the AC power supply.

*Figure 1: 650WAC AC Power Supply*



357565

Figure 2: 650WAC AC Power Supply

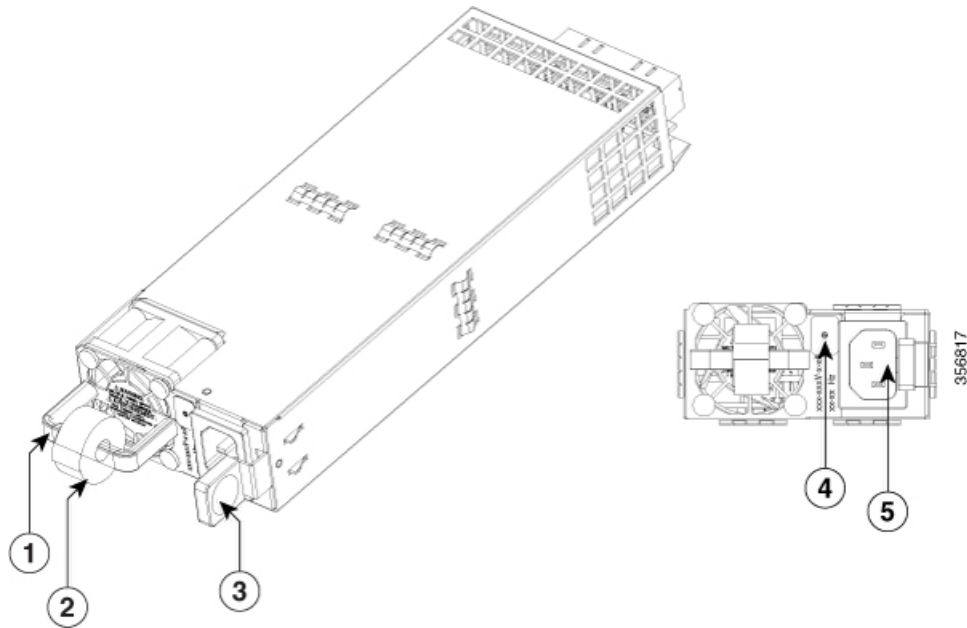


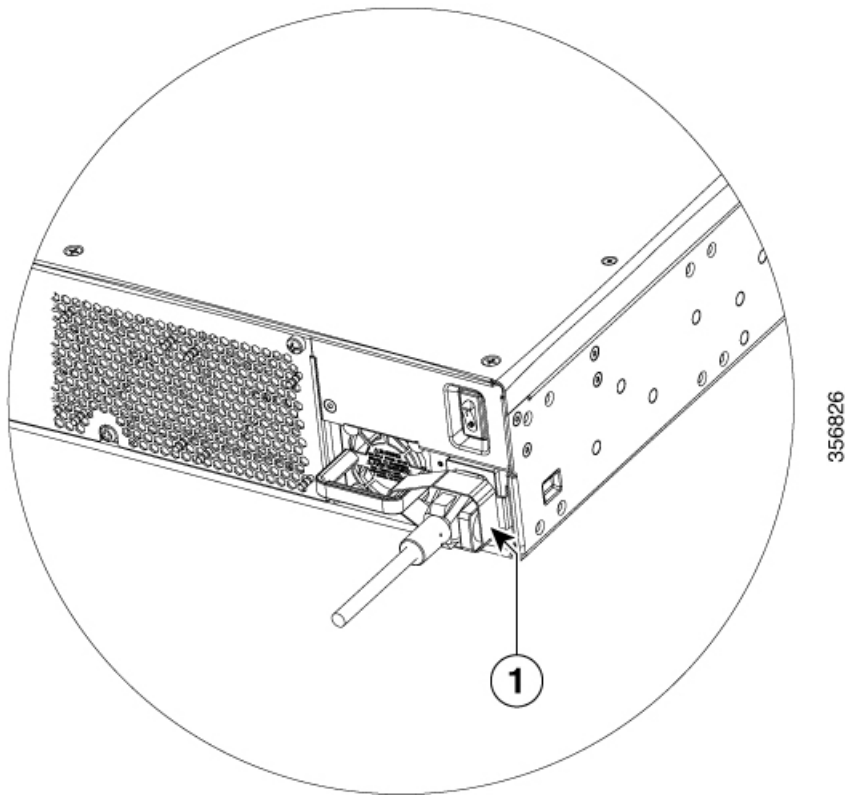
Table 1:

1	Handle
2	Strain Relief
3	Latch
4	Status LED
5	Power Socket

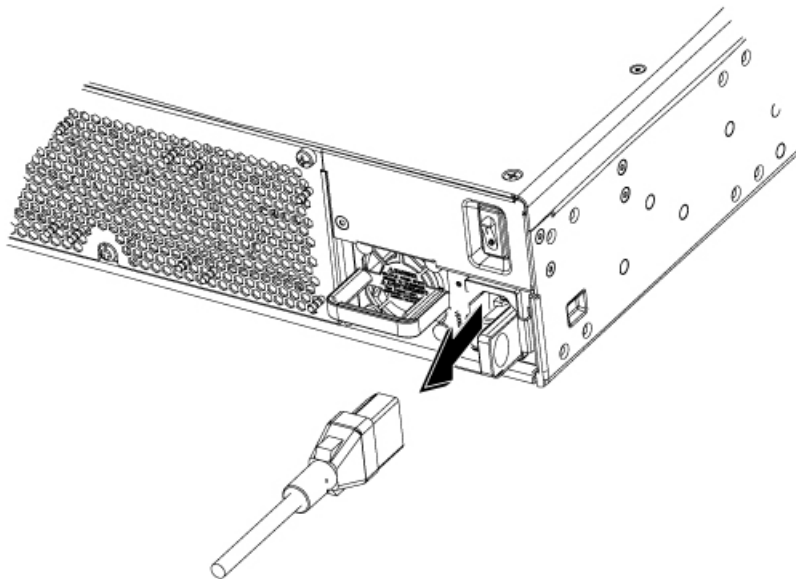
## Removing and Replacing the AC Power Supply

To remove an AC power supply from the voice gateway, perform these steps:

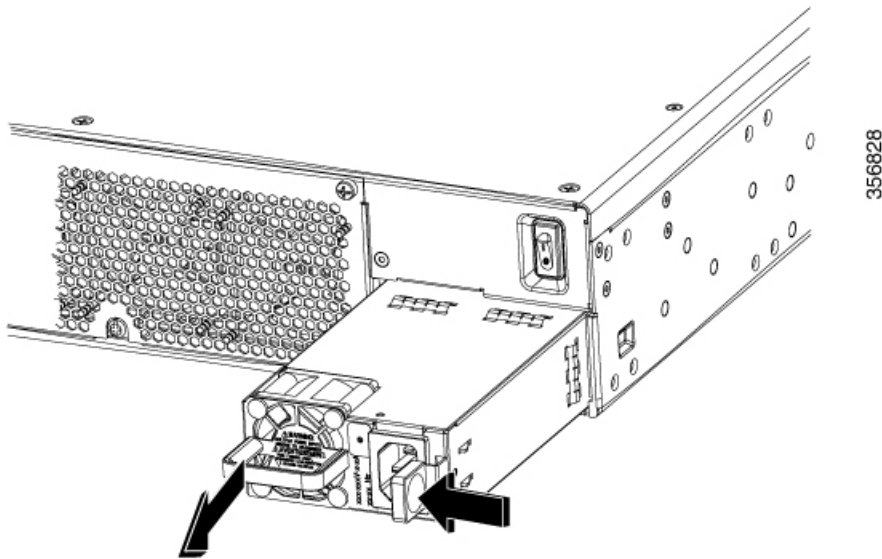
- 
- Step 1** Read the safety warnings section of this document.
  - Step 2** If there is only one power supply in the system, shut down the device before removing the power supply.
  - Step 3** If there are redundant power supplies in use, you do not have to shut down the device prior to replacing the power supply. You can replace the power supply while the device is in service.
  - Step 4** If in use, remove the strain relief securing the power supply cable to the power supply latch.



**Step 5** Remove the AC power cord from the power socket.



**Step 6** Depress the power supply latch and use the handle to pull the supply out of the device.

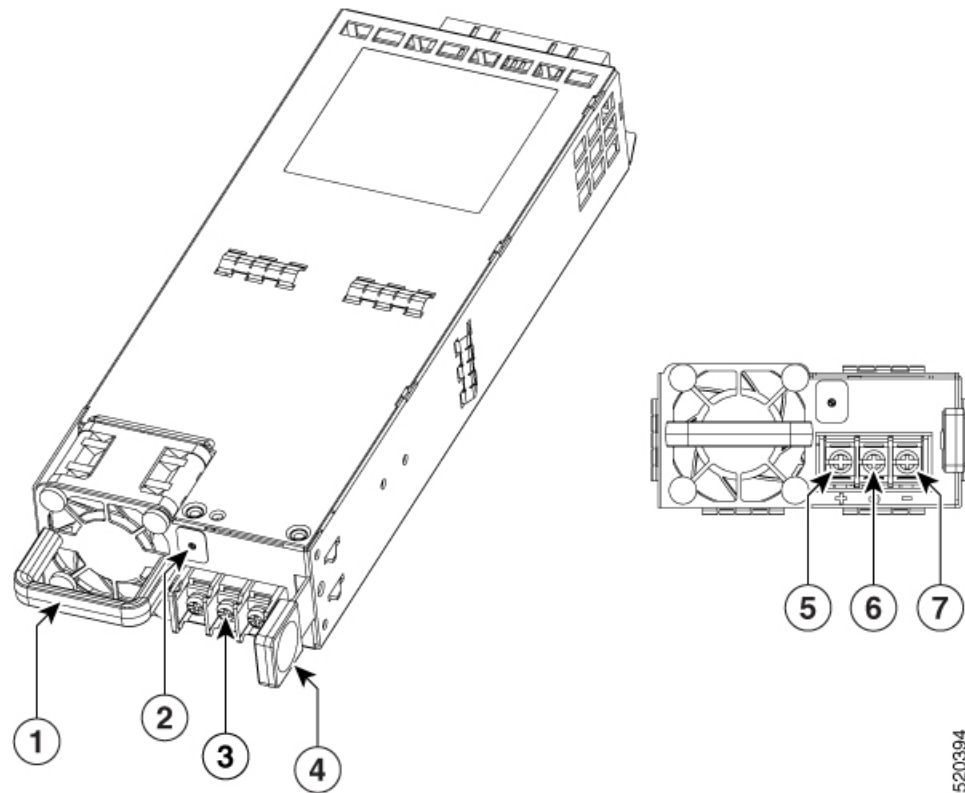


**Step 7** To replace or install an AC power supply into the device, perform these steps:

- a) Use the handle to push the power supply into the router. The power supply latch should provide an audible click when the supply is fully seated.
- b) Install the AC power cord into the power socket on the power supply.
- c) If used, reapply the strain relief strap around the power cord and the power supply latch.
- d) If the device was turned off, turn the power back on to the device.

## DC Power Supply

The Cisco VG420 Voice GatewayCisco VG420 Voice Gateway supports the PWR-VG420-650WDC DC power supply type. The DC power supply for this device is shown in the following image:



1	Handle
2	Status LED
3	Ground lead wire
4	Latch
5	Positive (+) lead wire
6	Ground lead wire
7	Negative (-) lead wire

## Preparing the Wire for Connecting to the DC Power Supply

In the device, the DC power supply has a terminal block that is installed into the power supply terminal block header.

### Step 1

Turn off the circuit breaker from the power source to be connected to the power source. Ensure the wires to be attached to the power supply are not energized.

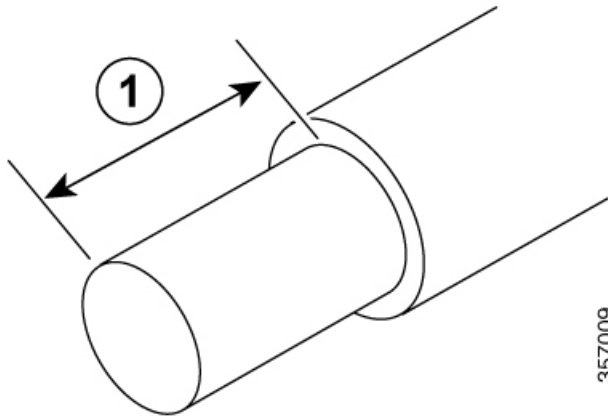
The wires connecting to the power supply can be stripped back and terminated directly to the power supply terminal block. Alternately a crimp style spade terminal lug can be attached to the end of the wire. If using a terminal lug, follow

the manufacturer's instructions for terminating the lug to the wire. If terminating directly to the terminal block using bare wire, following the directions shown below.

**Step 2** Use a wire-stripping tool to strip each of the two wires coming from the DC input power source to approximately 0.39 inch (10 mm) +/- 0.02 inch (0.5 mm).

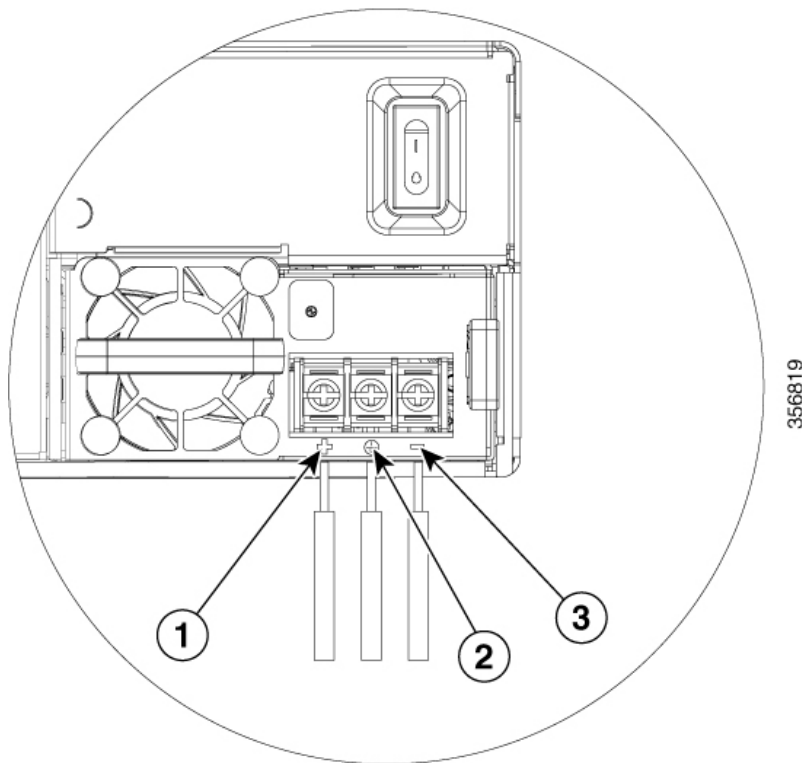
It is recommended that 14 AWG insulated wire be used. Do not strip more than the recommended length of wire because doing so could leave the wire exposed from the terminal block and shows a stripped DC input power source wire.

**Figure 3: DC Power Supply**



**Step 3** Identify the positive and negative feed positions for the terminal block connection of the voice gateway:

- Positive (+) lead wire (right)
- Negative (-) lead wire (left)



**Step 4** Identify the positive, ground, and negative feed positions for the terminal block connection of the device:

- Positive (+) lead wire(left)
- Ground Lead wire (middle)
- Negative (-) lead wire(right)

## Installing the DC Input Power

### Before you begin

This section describes how to install the DC power supply input power leads to DC input power supply. Before you begin, read these important notices:

- The color coding of the DC input power supply leads depends on the color coding of the DC power source at your site. Ensure that the lead color coding you choose for the DC input power supply matches the lead color coding used at the DC power source and verify that the power source is connected to the negative (-) terminal and to the positive (+) terminal on the power supply.
- Ensure that the chassis ground is connected on the chassis before you begin installing the DC power supply.

**SUMMARY STEPS**

1. Follow the steps provided in the *Chassis Grounding* section in the same order for this procedure.

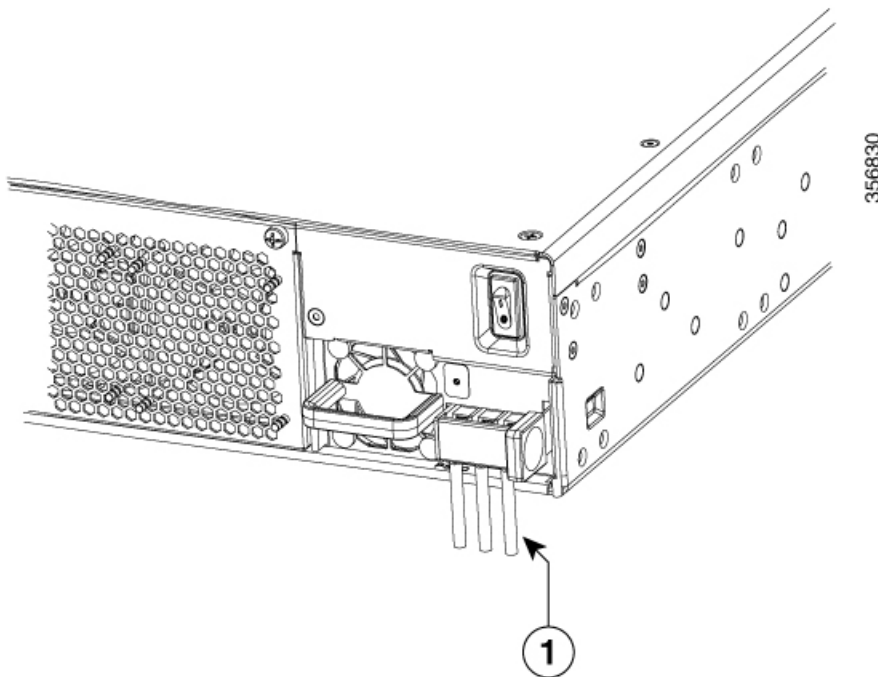
**DETAILED STEPS**

	Command or Action	Purpose
<b>Step 1</b>	Follow the steps provided in the <i>Chassis Grounding</i> section in the same order for this procedure.	

## Removing and Replacing the DC Power Supply

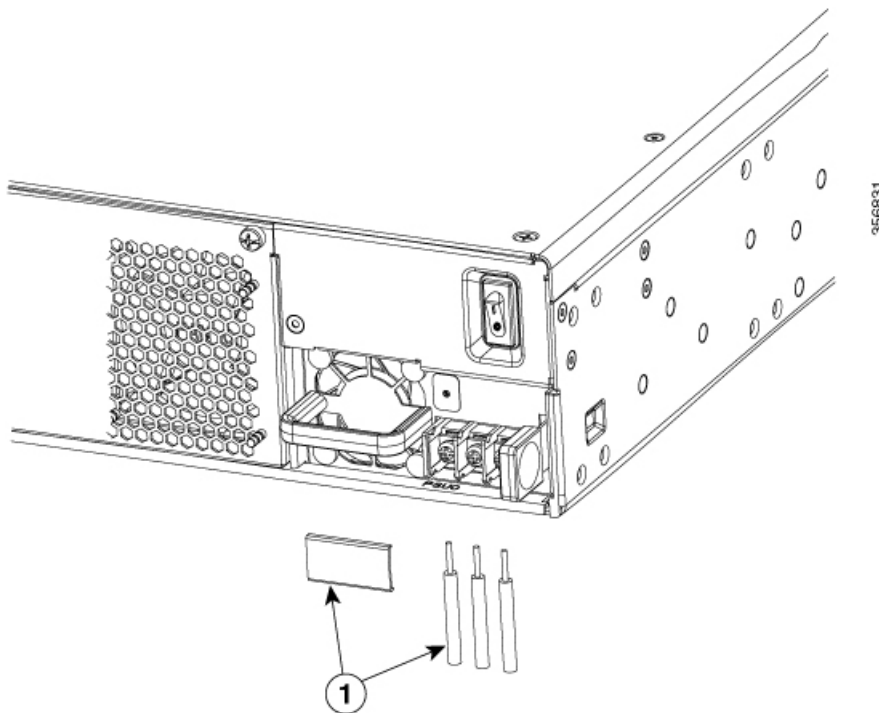
To remove the DC power supply, perform these steps:

- 
- Step 1** Read the safety warnings section of this document.
  - Step 2** If there is only one power supply in the system, shut down the device before removing the power supply.
  - Step 3** If there are redundant power supplies in use the device does not have to be shut down prior to replacing the power supply. The power supply may be replaced while the device is in service.
  - Step 4** At the power distribution panel or at the local circuit breaker, remove the power from the DC power leads (label **1**) attached to the power supply to be replaced.



- Step 5** Remove the terminal block cover and loosen the terminal screws (label **1**) securing the power cabling. Remove the power cabling from the terminal block.





**Step 6** Depress the power supply latch and use the handle to pull the supply out of the device.

**Step 7** To replace or install a DC power supply from the device, perform these steps:

- a) Use the handle to push the power supply into the router. The power supply latch should provide an audible click when the supply is fully seated.
- b) If this is an initial installation, please see the section on preparing the DC power leads below.
- c) Install the DC power leads into the terminal block and tighten the terminal block screws to secure the cables. For the PWR-VG420-650WDC power supply the negative lead installs into the left terminal position and the positive lead installs into the right terminal position. The polarity is marked on the faceplate of the power supply.

**Caution** Do not over torque the terminal block captive screws. Ensure that the connection is snug, but the wire is not crushed. Verify by tugging lightly on each wire to ensure that they do not move.

- d) Reinstall the terminal block cover.
- e) If the device was turned off, turn the power back on to the device.

