



Configuring WDS, Fast Secure Roaming, and Radio Management

This chapter describes how to configure your access point/bridge for wireless domain services (WDS), fast, secure roaming of client devices, and radio management. This chapter contains these sections:

- [Understanding WDS, page 11-2](#)
- [Understanding Fast Secure Roaming, page 11-3](#)
- [Understanding Radio Management, page 11-4](#)
- [Configuring WDS and Fast Secure Roaming, page 11-4](#)
- [Using Debug Messages, page 11-13](#)

Understanding WDS

The following sections describe WDS even though the access point/bridge cannot be configured as a WDS server even when it is configured as an access point. However, when configured as an access point, the access point/bridge can use a WDS server and can act as a WDS authenticator (client).

When you configure an access point to provide WDS, other access points (such as your access point/bridge if it is configured as an access point) on your wireless LAN use the WDS access point to provide fast, secure roaming for client devices and to participate in radio management.

Fast, secure roaming provides rapid reauthentication when a client device roams from one access point to another, preventing delays in voice and other time-sensitive applications.

Access points participating in radio management forward information about the radio environment (such as possible rogue access points and client associations and disassociations) to the WDS access point. The WDS access point aggregates the information and forwards it to a wireless LAN solution engine (WLSE) device on your network.

Role of the WDS Access Point

The WDS access point performs several tasks on your wireless LAN:

- Advertises its WDS capability and participates in electing the best WDS access point for your wireless LAN. When you configure your wireless LAN for WDS, you set up one access point as the main WDS access point candidate and one or more additional access points as backup WDS access point candidates.
- Authenticates all access points in the subnet and establishes a secure communication channel with each of them.
- Collects radio data from access points in the subnet, aggregates the data, and forwards it to the WLSE device on your network.
- Registers all client devices in the subnet, establishes session keys for them, and caches their security credentials. When a client roams to another access point, the WDS access point forwards the client's security credentials to the new access point.

Role of Access Points Using the WDS Access Point

The access points on your wireless LAN interact with the WDS access point in these activities:

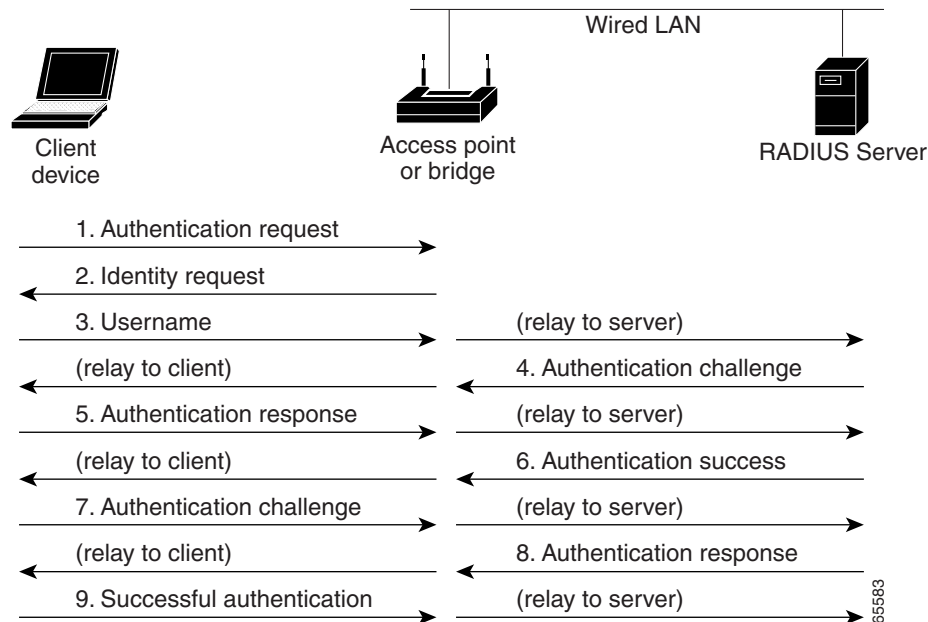
- Discover and track the current WDS access point and relay WDS advertisements to the wireless LAN.
- Authenticate with the WDS access point and establish a secure communication channel to the WDS access point.
- Register associated client devices with the WDS access point.
- Report radio data to the WDS access point.

Understanding Fast Secure Roaming

Access points in many wireless LANs serve mobile client devices that roam from access point to access point throughout the installation. Some applications running on client devices require fast reassociation when they roam to a different access point. Voice applications, for example, require seamless roaming to prevent delays and gaps in conversation.

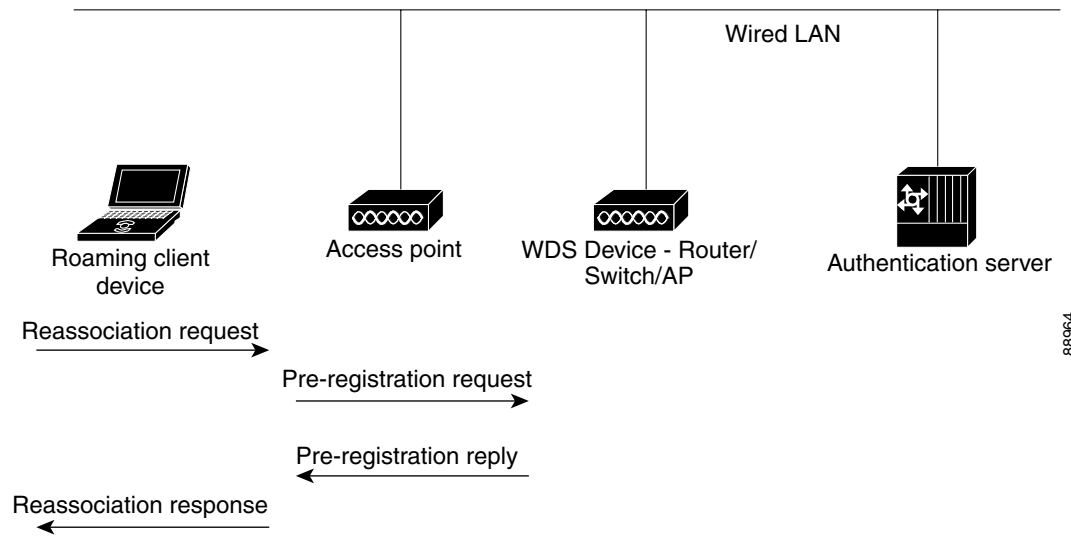
During normal operation, LEAP-enabled client devices mutually authenticate with a new access point by performing a complete LEAP authentication, including communication with the main RADIUS server, as in [Figure 11-1](#).

Figure 11-1 Client Authentication Using a RADIUS Server



When you configure your wireless LAN for fast, secure roaming, however, LEAP-enabled client devices roam from one access point to another without involving the main server. Using Cisco Centralized Key Management (CCKM), an access point configured to provide Wireless Domain Services (WDS) takes the place of the RADIUS server and authenticates the client so quickly that there is no perceptible delay in voice or other time-sensitive applications. [Figure 11-2](#) shows client authentication using CCKM.

Figure 11-2 Client Reassociation Using CCKM and a WDS Access Point



The WDS access point maintains a cache of credentials for CCKM-capable client devices on your wireless LAN. When a CCKM-capable client roams from one access point to another, the client sends a reassociation request to the new access point, and the new access point relays the request to the WDS access point. The WDS access point forwards the client's credentials to the new access point, and the new access point sends the reassociation response to the client. Only two packets pass between the client and the new access point, greatly shortening the reassociation time. The client also uses the reassociation response to generate the unicast key.

Understanding Radio Management

Access points participating in radio management scan the radio environment and send reports to the WDS access point on such radio information as potential rogue access points, associated clients, client signal strengths, and the radio signals from other access points. The WDS access point forwards the aggregated radio data to the WLSE device on your network. Access points participating in radio management also assist with the self-healing wireless LAN, automatically adjusting settings to provide coverage in case a nearby access point fails. Refer to the ["" section on page 11-13](#) for instructions on configuring radio management.

Configuring WDS and Fast Secure Roaming

This section describes how to configure WDS and fast, secure roaming on your wireless LAN. This section contains these sections:

- [Guidelines for WDS, page 11-5](#)
- [Requirements for WDS and Fast Secure Roaming, page 11-5](#)
- [Configuring the Access Point/Bridge to use the WDS Access Point, page 11-5](#)
- [Configuring the Access Point/Bridge to use the WDS Access Point, page 11-5](#)
- [Configuring the Authentication Server to Support Fast Secure Roaming, page 11-7](#)

- [Viewing WDS Information, page 11-12](#)
- [Using Debug Messages, page 11-13](#)

Guidelines for WDS

You should be aware of these WDS guidelines:

- You cannot configure your access point/bridge as a WDS access point. However, when you configure your access point/bridge as an access point, you can also configure it to use the WDS access point.
- Repeater access points do not support WDS.

Requirements for WDS and Fast Secure Roaming

The wireless LAN on which your access point/bridge resides must meet these requirements:

- At least one access point available to be configured as the WDS access point
- An authentication server (or an access point configured as a local authenticator)
- Cisco Aironet client devices running Cisco client firmware version 5.20.17 or later

Configuring the Access Point/Bridge to use the WDS Access Point

Your access point/bridge must be configured as an access point before you can configure it to use WDS. Follow these steps to configure your access point/bridge to authenticate through the WDS access point and participate in CCKM:

-
- Step 1** Browse to the Wireless Services Summary page.
- Step 2** Click **AP** to browse to the Wireless Services AP page. [Figure 11-3](#) shows the Wireless Services AP page.

Figure 11-3 Wireless Services AP Page

Hostname bridge bridge uptime is 19 hours, 27 minutes

Wireless Services: AP

Participate in SWAN Infrastructure: Enable Disable

WDS Discovery: Auto Discovery
 Specified Discovery: (IP Address)

Username:

Password:

Confirm Password:

L3 Mobility Service via IP/GRE Tunnel: Enable: GRE Tunnel MTU: (256-1542)
 Disable

Apply Cancel

117037

- Step 3** In the Participate in SWAN Infrastructure field, click **Enabled**.
- Step 4** Choose one of the following options in the WDS Discovery field:
- a. Auto Discovery—The access point/bridge finds the WDS access point automatically.
 - b. Specified Discovery—The access point/bridge discovers the WDS access point based on the IP address you enter.
- Step 5** In the Username field, enter a username for the access point/bridge. This username must match the username that you create for the access point/bridge on your authentication server.
- Step 6** In the Password field, enter a password for the access point/bridge, and enter the password again in the Confirm Password field. This password must match the password that you create for the access point/bridge on your authentication server.
- Step 7** In the L3 Mobility Service via IP/GRE Tunnel, enter the value of the GRE Tunnel MTU.
- Step 8** Click **Apply**.

Once you complete the configuration, the access point/bridge interacts with the WDS and automatically performs these steps:

- Discovers and tracks the current WDS access point and relays WDS advertisements to the wireless LAN.
- Authenticates with the WDS access point and establishes a secure communication channel to the WDS access point.
- Registers associated client devices with the WDS access point.

CLI Configuration Example

This example shows the CLI commands that are equivalent to the steps listed in the “[Configuring the Access Point/Bridge to use the WDS Access Point](#)” section on page 11-5:

```
AP# configure terminal
AP(config)# wlccp ap username APWestWing password 7 wes7win8
AP(config)# end
```

In this example, the access point/bridge is enabled to interact with the WDS access point, and it authenticates to your authentication server using *APWestWing* as its username and *wes7win8* as its password. You must configure the same username and password pair when you set up the access point as a client on your authentication server.

For complete descriptions of the commands used in this example, consult the *Cisco IOS Command Reference for Cisco Aironet Access Points and Bridges*.

Configuring the Authentication Server to Support Fast Secure Roaming

The WDS access point and all access points participating in CCKM must authenticate to your authentication server. On your server, you must configure usernames and passwords for the access points and a username and password for the WDS access point.

If your server runs Cisco ACS, follow these steps to configure the access points on your server:

-
- Step 1** Log into Cisco Secure ACS and click **Network Configuration** to browse to the Network Configuration page. You must use the Network Configuration page to create an entry for the WDS access point. [Figure 11-4](#) shows the Network Configuration page.

Figure 11-4 Network Configuration Page

The screenshot shows the Cisco Network Configuration page. On the left is a navigation menu with options: User Setup, Group Setup, Shared Profile Components, Network Configuration, System Configuration, Interface Configuration, Administration Control, External User Databases, Reports and Activity, and Online Documentation. The main content area is titled "Network Configuration" and contains two tables.

AAA Clients Table:

AAA Client Hostname	AAA Client IP Address	Authenticate Using
DD_3600	10.10.0.2	TACACS+ (Cisco IOS)
DD_TME_1200_1	10.10.0.24	RADIUS (Cisco Aironet)
DD_TME_1200_2	10.10.0.25	RADIUS (Cisco Aironet)

Buttons: Add Entry, Search

AAA Servers Table:

AAA Server Name	AAA Server IP Address	AAA Server Type
proliant	10.91.104.76	CiscoSecure ACS

Buttons: Add Entry, Search

Step 2 Click **Add Entry** under the AAA Clients table. The Add AAA Client page appears. [Figure 11-5](#) shows the Add AAA Client page.

Figure 11-5 Add AAA Client Page

Network Configuration

Add AAA Client

AAA Client Hostname: APSouthside

AAA Client IP Address: 10.91.104.99

Key: password

Authenticate Using: RADIUS (Cisco Aironet)

Single Connect TACACS+ AAA Client (Record stop in accounting on failure).

Log Update/Watchdog Packets from this AAA Client

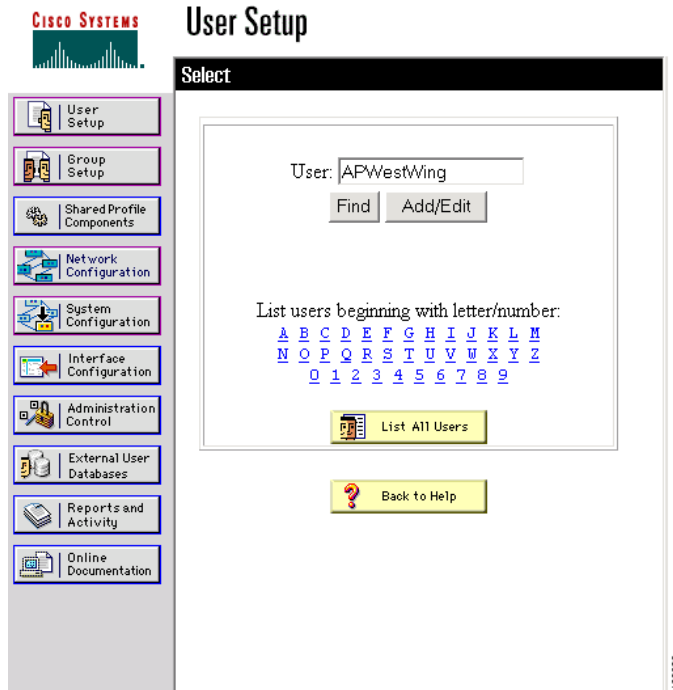
Log RADIUS Tunneling Packets from this AAA Client

Replace RADIUS Port info with Username from this AAA Client

Submit Submit + Restart Cancel

- Step 3** In the AAA Client Hostname field, enter the name of the WDS access point.
- Step 4** In the AAA Client IP Address field, enter the IP address of the WDS access point.
- Step 5** In the Key field, enter exactly the same password that is configured on the WDS access point.
- Step 6** From the Authenticate Using drop-down menu, select **RADIUS (Cisco Aironet)**.
- Step 7** Click **Submit**.
- Step 8** Repeat [Step 2](#) through [Step 7](#) for each WDS access point candidate.
- Step 9** Click **User Setup** to browse to the User Setup page. You must use the User Setup page to create entries for the access points that use the WDS access point. [Figure 11-6](#) shows the User Setup page.

Figure 11-6 User Setup Page

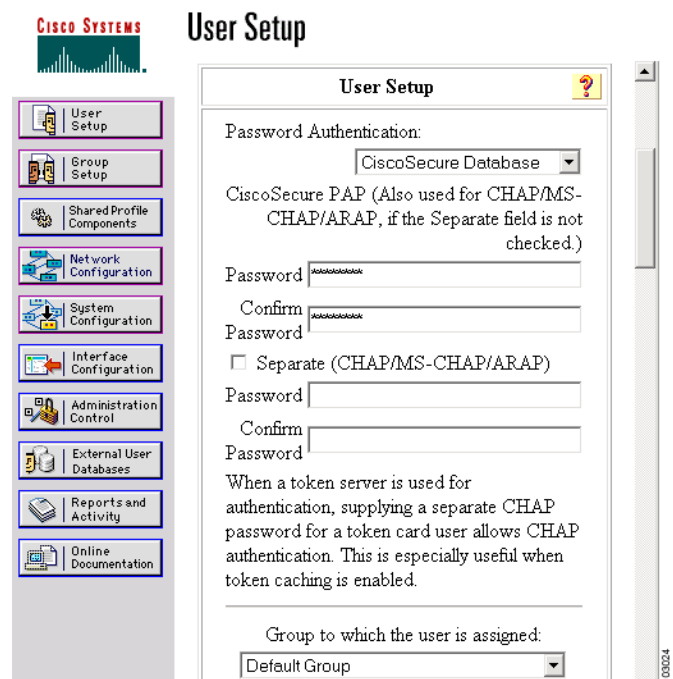


Step 10 Enter the name of the access point in the User field.

Step 11 Click **Add/Edit**.

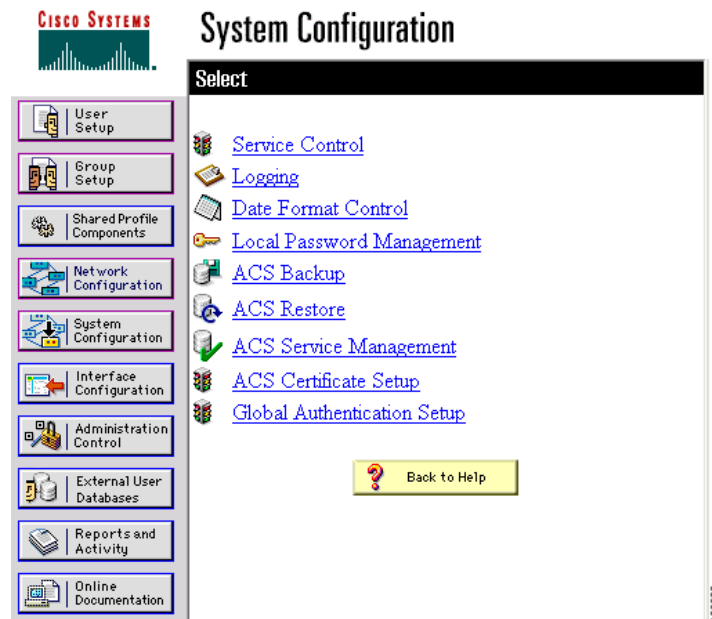
Step 12 Scroll down to the User Setup box. [Figure 11-7](#) shows the User Setup box.

Figure 11-7 ACS User Setup Box



- Step 13** Select **CiscoSecure Database** from the Password Authentication drop-down menu.
- Step 14** In the Password and Confirm Password fields, enter exactly the same password that you entered on the access point on the Wireless Services AP page.
- Step 15** Click **Submit**.
- Step 16** Repeat [Step 10](#) through [Step 15](#) for each access point that uses the WDS access point.
- Step 17** Browse to the System Configuration page, click **Service Control**, and restart ACS to apply your entries. [Figure 11-8](#) shows the System Configuration page.

Figure 11-8 ACS System Configuration Page



Viewing WDS Information

On the web-browser interface, browse to the Wireless Services Summary page to view a summary of WDS status.

On the CLI in privileged exec mode, use these commands to view information about the current WDS access point and other access points participating in CCKM:

Command	Description
<code>show wlccp ap</code>	Use this command on access points participating in CCKM to display the WDS access point's MAC address, the WDS access point's IP address, the access point's state (authenticating, authenticated, or registered), the IP address of the infrastructure authenticator, and the IP address of the client device (MN) authenticator.
<code>show wlccp wds { ap mn } [detail] [mac-addr mac-address]</code>	<p>On the WDS access point only, use this command to display cached information about access points and client devices.</p> <ul style="list-style-type: none"> ap—Use this option to display access points participating in CCKM. The command displays each access point's MAC address, IP address, state (authenticating, authenticated, or registered), and lifetime (seconds remaining before the access point must reauthenticate). Use the mac-addr option to display information about a specific access point. mn—Use this option to display cached information about client devices, also called mobile nodes. The command displays each client's MAC address, IP address, the access point to which the client is associated (cur-AP), and state (authenticating, authenticated, or registered). Use the detail option to display the client's lifetime (seconds remaining before the client must reauthenticate), SSID, and VLAN ID. Use the mac-addr option to display information about a specific client device. <p>If you only enter <code>show wlccp wds</code>, the command displays the access point's IP address, MAC address, priority, and interface state (administratively standalone, active, backup, or candidate). If the state is backup, the command also displays the current WDS access point's IP address, MAC address, and priority.</p>

Using Debug Messages

In privileged exec mode, use these debug commands to control the display of debug messages for devices interacting with the WDS access point:

Command	Description
debug wlccp ap { mn mobility rm state wds-discovery }	Use this command to turn on display of debug messages related to client devices (mn), the WDS discovery process, and access point authentication to the WDS access point (state).
debug wlccp leap-client	Use this command to turn on display of debugging messages related to LEAP-enabled client devices.
debug wlccp packet	Use this command to turn on display of packets to and from the WDS access point.
debug wlccp wds [state statistics]	Use this command and the state option to turn on display of WDS debug and state messages. Use the statistics option to turn on display of failure statistics.

