



# CHAPTER 16

## Configuring High Availability (HA)

---

This chapter describes how to set up a pair of Clean Access Manager machines for high-availability. By deploying Clean Access Managers in high-availability mode, you can ensure that important monitoring, authentication, and reporting tasks continue in the event of an unexpected shutdown. Topics include:

- [Overview, page 16-1](#)
- [Before Starting, page 16-3](#)
- [Connect the Clean Access Manager Machines, page 16-4](#)
- [Configure the HA-Primary CAM, page 16-5](#)
- [Configure the HA-Secondary CAM, page 16-9](#)
- [Upgrading an Existing Failover Pair, page 16-12](#)
- [Failing Over an HA-CAM Pair, page 16-12](#)
- [Useful CLI Commands for HA, page 16-13](#)
- [Adding High Availability Cisco NAC Appliance To Your Network, page 16-14](#)



### Note

---

You must use identical appliances (e.g. NAC-3350 and NAC-3350) in order to configure High Availability (HA) pairs of Clean Access Managers (CAMs) or Clean Access Servers (CASs).

---

## Overview

The following key points provide a high-level summary of HA-CAM operation:

- The Clean Access Manager high-availability mode is an Active/Passive two-server configuration in which a standby CAM machine acts as a backup to an active CAM machine.
- The active Clean Access Manager performs all tasks for the system. The standby CAM monitors the active CAM and keeps its database synchronized with active CAM's database.
- Both CAMs share a virtual Service IP for the eth0 trusted interface. The Service IP should be used for the SSL certificate.
- The primary and secondary CAM machines exchange UDP heartbeat packets every 2 seconds. If the heartbeat timer expires, stateful failover occurs.

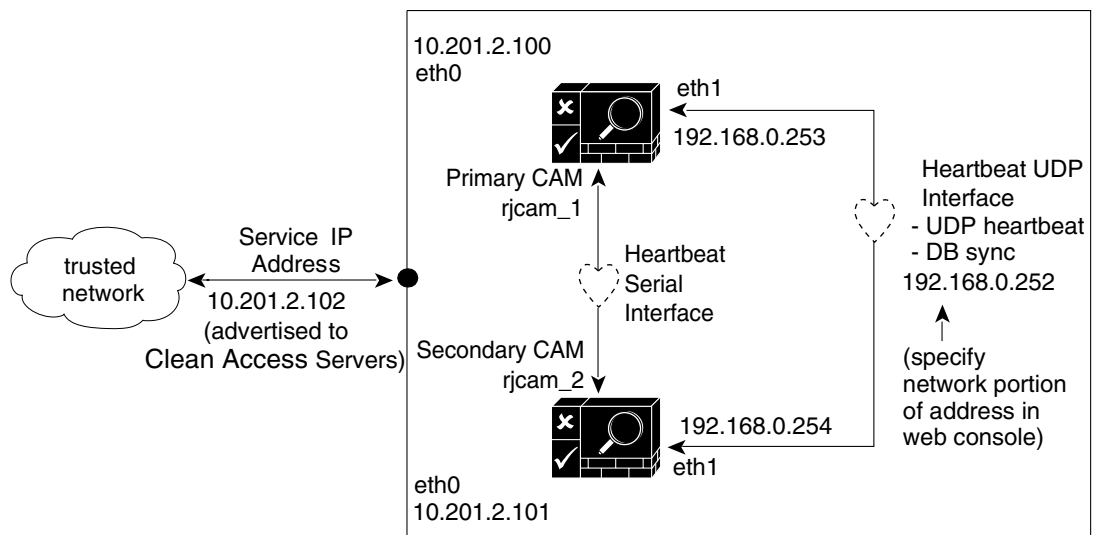
- In order to ensure an active CAM is always available, its trusted interface (eth0) must be up. To avoid a situation where a CAM is active but is not accessible via its trusted interface (that is, the standby CAM receives heartbeat packets from the active CAM, but the active CAM's eth0 interface fails), the link-detect mechanism allows the standby CAM to be aware of when the active CAM's eth0 interface becomes unavailable.
- You can choose to “automatically configure” the eth1 interface in the **Administration > CCA Manager > Failover** page, but you must manually configure other (eth2 or eth3) HA interfaces with an IP address, netmask, etc. prior to configuring HA on the CAM.
- The eth0, eth1 and eth2/eth3 interfaces can be used for heartbeat packets and database synchronization. In addition, any available serial (COM) interface can also be used for heartbeat packets. If using more than one of these interfaces, then all the heartbeat interfaces need to fail for failover to occur.



**Note** If you are configuring your CAM for HA, you must use eth1 for heartbeat and database synchronization. All other Ethernet interfaces (eth0 and eth2/eth3) are optional for this purpose.

Figure 16-1 illustrates a sample configuration.

**Figure 16-1** Clean Access Manager Example High-Availability Configuration



The Clean Access Manager high-availability mode is an Active/Passive two-server configuration in which a standby Clean Access Manager machine acts as a backup to an active Clean Access Manager machine. While the active CAM carries most of the workload under normal conditions, the standby monitors the active CAM and keeps its data store synchronized with the active CAM's data.

If a failover event occurs, such as the active CAM shuts down or stops responding to the peer's "heartbeat" signal, the standby assumes the role of the active CAM.

When first configuring the HA peers, you must specify an HA-Primary CAM and HA-Secondary CAM. Initially, the HA-Primary is the active CAM, and the HA-Secondary is the standby (passive) CAM, but the active/passive roles are not permanently assigned. If the primary CAM goes down, the secondary (standby) becomes the active CAM. When the original primary CAM restarts, it assumes the backup role.

**Note**

If *both* the HA-Primary and HA-Secondary CAMs in your HA deployment lose their configuration, you can restore the system using the guidelines in [Restoring Configuration From CAM Snapshot—HA-CAM or HA-CAS](#), page 15-37.

When the Clean Access Manager starts up, it checks to see if its peer is active. If not, the starting CAM assumes the active role. If the peer is active, on the other hand, the starting CAM becomes the standby.

You can configure two Clean Access Managers as an HA pair at the same time, or you can add a new Clean Access Manager to an existing standalone CAM to create a high-availability pair. In order for the pair to appear to the network and to the Clean Access Servers as one entity, you must specify a **Service IP Address** to be used as the trusted interface (eth0) address for the HA pair. This Service IP address is also used to generate the SSL certificate.

To create the Heartbeat UDP Interface link over which HA information is exchanged, you connect the eth1 ports of both CAMs and specify a private network address not currently routed in your organization (the default Heartbeat UDP interface IP address is 192.168.0.252). The Clean Access Manager then creates a private, secure two-node network for the eth1 ports of each CAM to exchange UDP heartbeat traffic and synchronize databases.

**Note**

The CAM always uses eth1 as the UDP heartbeat interface.

For heartbeat redundancy, you can also connect the serial ports of each Clean Access Manager for heartbeat exchange. In this case, both the UDP heartbeat and serial heartbeat interfaces must fail for the standby system to take over.

**Warning**

**When connecting high availability (failover) pairs via serial cable, BIOS redirection to the serial port must be disabled for NAC-3300 series appliances and any other server hardware platform that supports the BIOS redirection to serial port functionality. See [Supported Hardware and System Requirements for Cisco NAC Appliance \(Cisco Clean Access\)](#) for more information.**

**Note**

For serial cable connection for HA (either HA-CAM or HA-CAS), the serial cable must be a “null modem” cable. For details, refer to <http://www.nullmodem.com/NullModem.htm>.

The following sections describe the steps for setting up high availability.

**Note**

The instructions in this section assume that you are adding a Clean Access Manager to a standalone CAM in order to configure the HA pair for a test network.

## Before Starting

**Warning**

**To prevent any possible data loss during database synchronization, always make sure the standby (secondary) Clean Access Manager is up and running before failing over the active (primary) Clean Access Manager.**

Before configuring high availability, ensure that:

- You have obtained a high-availability (failover) license.




---

**Note** When installing a CAM Failover (HA) license, install the Failover license to the Primary CAM first, then load all the other licenses.

---

- Both CAMs are installed and configured (see [Perform the Initial Configuration, page 2-7.](#))
- For heartbeat, each CAM needs to have a unique hostname (or node name). For HA CAM pairs, this host name will be provided to the peer, and must be resolved via DNS or added to the peer's `/etc/hosts` file.
- You have a CA-signed certificate for the Service IP of the HA CAM pair. (For testing, you can use the CA-signed certificate of the HA-Primary CAM, but this requires additional steps to configure the HA-Primary CAM's IP as the Service IP).
- The HA-Primary CAM is fully configured for runtime operation. This means that connections to authentication sources, policies, user roles, access points, and so on, are all specified. This configuration is automatically duplicated in the HA-Secondary (standby) CAM.
- Both Clean Access Managers are accessible on the network (try *pinging* them to test the connection).
- The machines on which the CAM software is installed have at least one free Ethernet port (eth1) and at least one free serial port. Use the specification manuals for the server hardware to identify the serial port (ttyS0 or ttyS1) on each machine.
- In Out-of-Band deployments, Port Security is not enabled on the switch interfaces to which the CAS and CAM are connected. This can interfere with CAS HA and DHCP delivery.

The following procedures require you to reboot the Clean Access Manager. At that time, its services will be briefly unavailable. You may want to configure an online CAM when downtime has the least impact on your users.




---

**Note**

Cisco NAC Appliance web admin consoles support the Internet Explorer 6.0 or above browser.

---

## Connect the Clean Access Manager Machines

There are two types of connections between HA-CAM peers: one for exchanging runtime data relating to the Clean Access Manager activities and one for the heartbeat signal. In High Availability, the Clean Access Manager **always** uses the eth1 interface for both data exchange and heartbeat UDP exchange. When the UDP heartbeat signal fails to be transmitted and received within a certain time period, the standby system takes over. In order to provide an extra measure of heartbeat redundancy, Cisco recommends you use more Ethernet interfaces in addition to eth1 (mandatory) interface and/or use one of the available serial interfaces for heartbeat exchange. In order for a failover to occur, all configured heartbeat interfaces must report heartbeat exchange failure. (The eth0 and eth2/eth3 can be used for additional heartbeat interfaces.) Note, however, that the eth1 connection between the CAM peers is mandatory.

Physically connect the peer Clean Access Managers as follows:

- Use a crossover cable to connect the eth1 Ethernet ports of the Clean Access Manager machines. This connection is used for the heartbeat UDP interface and data exchange (database mirroring) between the failover peers.
- Use null modem serial cable to connect the serial ports (highly recommended). This connection is used as an additional heartbeat serial exchange (keep-alive) between the failover peers.

- Optionally connect eth2 and/or eth3 interfaces on the CAM to counterpart interfaces on the HA peer using either crossover cables or via an in-line switch. (Remember: you must configure these interfaces manually before configuring your CAM for HA).



**Note** For serial cable connection for HA, the serial cable must be a “null modem” cable. For details, refer to <http://www.nullmodem.com/NullModem.htm>.

## Serial Connection

If the machine running the Clean Access Manager software has two serial ports, you can use the additional port for the serial heartbeat connection. By default, the first serial port detected on the CAM server is configured for console input/output (to facilitate installation and other types of administrative access).

If the machine has only one serial port (COM1 or ttyS0), you can reconfigure the port to serve as the high-availability heartbeat connection. This is because, after the CAM software is installed, SSH or KVM console can always be used to access the command line interface of the CAM.



**Warning**

**When connecting high availability (failover) pairs via serial cable, BIOS redirection to the serial port must be disabled for NAC-3300 series appliances and any other server hardware platform that supports the BIOS redirection to serial port functionality. See [Supported Hardware and System Requirements for Cisco NAC Appliance \(Cisco Clean Access\)](#) for more information.**

## Configure the HA-Primary CAM

Once you have verified the prerequisites, perform the following steps to configure the Clean Access Manager as the HA-Primary for the high availability pair. See [Figure 16-1](#) for an example high-availability configuration.

- Step 1** Open the web admin console for the Clean Access Manager to be designated as the HA-Primary, and go to **Administration > CCA Manager > SSL Certificate** to configure the SSL certificate for the primary CAM. The **Generate Temporary Certificate** form appears.



**Note** The HA configuration steps in this chapter assume that a temporary certificate will be exported from the HA-Primary CAM to the HA-Secondary CAM.

If using a temporary certificate for the HA pair:

- Complete the **Generate Temporary Certificate** form and click **Generate**.  
The certificate must be generated for the Service IP address of the HA pair.
- When finished generating the temporary certificate, choose **Export CSR/Private Key/Certificate** from the **Choose an action** menu.
- Click the **Export** button for **Currently Installed Private Key** to export the SSL private key. Save the key file to disk. You will have to import this key into the HA-Secondary CAM later.

- d. Click the **Export** button for **Currently Installed Certificate** to export the current SSL certificate. Save the certificate file to disk. You will have to import this certificate file into the HA-Secondary CAM later.

If using a CA-signed certificate for the HA pair:



---

**Note** The CA-signed certificate must either be based on the Service IP or a hostname/domain name resolvable to the Service IP through DNS. See [Manage CAM SSL Certificates, page 15-6](#) for details.

---

- a. Select **Import Certificate** from the **Choose an action:** menu.
- b. Use the **Browse** button next to the **Certificate File** field and navigate to the CA-signed cert.
- c. Choose **CA-signed PEM-encoded X.509 Cert** from the **File Type** dropdown menu:
- d. Click **Upload** to import the certificate. Note that you will need to import this same certificate into the HA-Secondary CAM later.
- e. Click **Verify and Install Uploaded Certificates**.
- f. Select **Export CSR/Private Key/Certificate** from the **Choose an action** dropdown list.
- g. Click the **Export** button for the **Currently Installed Private Key** to export the SSL private key associated with the CA-signed certificate. Save the key file to disk. You will need to import this file into the HA-Secondary CAM later.

**Step 2** Go to **Administration > CCA Manager** and click the **Failover** tab. Choose the **HA-Primary** option from the **Clear Access Manager Mode** dropdown menu. The high availability settings appear:

Figure 16-2 Primary Clean Access Manager Failover Settings

Administration > Clean Access Manager

Network | **Failover** | System Time | SSL Certificate | System Upgrade | Licensing | Support Logs

**Current Status**  
Local CAM (rjcam\_1): OK [ACTIVE] Peer CAM (rjcam\_2): OK

Clean Access Manager Mode: HA-Primary Mode

Service IP Address: 10.201.2.102 \*

Link-detect IP Address for eth0: N/A

Link-detect Timeout (seconds): 30 \*\*  
(10 seconds minimum; 25 seconds or longer recommended; 30 seconds default)

[Primary] Local Host Name: rjcam\_1

[Secondary] Peer Host Name: rjcam\_2 \*

Heartbeat UDP Interface 1 (Mandatory):  eth1  Auto eth1 Setup

[Secondary] Heartbeat IP Address on eth1: 192.168.0.253 \* (Mask: 255.255.255.252)

Heartbeat UDP Interface 2:  eth0

[Secondary] Heartbeat IP Address on eth0: (peer ip on heartbeat udp interface eth0)

Heartbeat UDP Interface 3: N/A

[Secondary] Heartbeat IP Address on interface 3: (peer ip on heartbeat udp interface 3)

Heartbeat Serial Interface: N/A

Heartbeat Timeout (seconds): 15 \*  
(5 seconds minimum; 15 seconds or longer recommended; 15 seconds default)

\* Mandatory  
\*\* Mandatory if Link-detect IP is configured

Update Reboot

1865803

- Step 3** Copy the value from the **IP Address** field under **Administration > CCA Manager > Network** and enter it in **Service IP Address** field. The Network Settings IP Address is the existing IP address of the current Clean Access Manager. The idea here is to turn this IP address, which the Clean Access Servers already recognize, into the virtual Service IP address for the Clean Access Manager pair.
- Step 4** Change the **IP address** under **Administration > CCA Manager > Network** to an available address (for example *x.x.x.121*).
- Step 5** (Recommended) Specify parameters to enable failover based on eth0 link failure detection for the HA-Primary CAM:
- a. Enter IP addresses for the interfaces the HA pair uses to failover from the primary to the secondary CAM in the **Link-detect IP Address for eth0** field. When IP addresses are entered in this field, the HA-Secondary CAM attempts to ping the specified HA-Primary CAM IP address to verify connectivity. Typically, the same IP address is entered on both the HA-Primary and HA-Secondary CAM, but you *can* specify different addresses for each CAM if your network topology allows.
  - b. Specify the duration (in seconds) the CAM continues to ping the Link-detect IP address before determining that the eth0 interface may have gone down, thus initiating a failover to the secondary CAM, in the **Link-detect Timeout** field. The minimum value for this setting is 10 seconds, but Cisco recommends at least a 25-second timeout interval.

**Note**

Link-detect settings on the CAM (Release 4.1(3) and later) are needed to allow the active CAM to failover to the standby CAM in case of a switch port failure or a link failure on the switch port connected to eth0 of the active CAM. In the event a failover must take place, the Link detect setting allows the standby CAM to ensure that the secondary CAM eth0 interface is up and able to take on the active role.

- Step 6** Each Clean Access Manager must have a unique host name (such as `rjcam_1` and `rjcam_2`). Type the host name of the HA-Primary CAM in the **Host Name** field under **Administration > CCA Manager > Network**, and type the host name of the HA-Secondary CAM in the **Peer Host Name** field under **Administration > CCA Manager > Failover**.

**Note**

- A **Host Name** value is mandatory when setting up high availability, while the **Host Domain** name is optional.
- The **Host Name** and **Peer Host Name** fields are case-sensitive. Make sure to match what is typed here with what is typed for the HA-Secondary CAM later.

- Step 7** If you are using the default setting for the mandatory eth1 UDP heartbeat interface, leave the **Auto eth1 Setup** checkbox enabled (checked). If you want to specify a different **[Secondary] Heartbeat eth1 Address**, uncheck the **Auto eth1 Setup** checkbox and enter the new IP address in the **(peer IP on heartbeat udp interface on eth1)** field.

**Note**

The **Auto eth1 Setup** option automatically assigns 192.168.0.254 as the primary CAM's eth1 (heartbeat) interface and assumes the IP address for the peer (secondary) eth1 interface is 192.168.0.253.

**Warning**

**To specify redundant failover links as described in Step 9, you must first configure the appropriate Ethernet interfaces on the CAM before you try to set up HA. If you attempt to configure these interfaces and the NICs on which the Ethernet interfaces reside are not configured correctly, the CAM will enter maintenance mode (will not boot properly) when you reboot.**

- Step 8** (Optional) If you want to enable the CAM's **Heartbeat UDP Interface 2** function that sets up a redundant failover heartbeat via the CAM eth0 interface, enable the **eth0** checkbox and specify an associated peer IP address in the **[Secondary] Heartbeat IP Address on eth0** field. Otherwise, leave this N/A if not using the additional UDP heartbeat interface.
- Step 9** (Optional) If you want to enable the CAM's **Heartbeat UDP Interface 3** function, select **eth2** or **eth3** from the dropdown menu and specify an associated peer IP address in the **[Secondary] Heartbeat IP Address on interface 3** field. Otherwise, leave this N/A if not using the additional UDP heartbeat interface.
- Step 10** From the **Heartbeat Serial Interface** dropdown menu, choose the serial port to which you connected the serial cable of the HA-Primary CAM, or leave this N/A if not using serial connection. The options in this dropdown list are the serial interfaces that are both enabled and available on the CAM for heartbeat interface connection. (See [Serial Connection, page 16-5](#) for further details.)
- Step 11** Click **Update** and then **Reboot** to restart the Clean Access Manager.

After the Clean Access Manager restarts, make sure that the CAM machine is working properly. Check to see if the Clean Access Servers are connected and new users are being authenticated.

---

## Configure the HA-Secondary CAM

---

- Step 1** Open the web admin console for the Clean Access Manager to be designated as the HA-Secondary, and go to **Administration > CCA Manager > SSL Certificate**.
- Step 2** Before starting:
- Back up the secondary CAM's private key.
  - Make sure the private key and SSL certificate files associated with the Service IP/HA-Primary CAM are available (previously exported as described in [Configure the HA-Primary CAM, page 16-5](#)).
- Step 3** Import the HA-Primary CAM's private key file and certificate as described below:
- a. In the **SSL Certificate** tab, choose **Import Certificate** from the **Choose an action:** menu
  - b. Click **Browse** next to the **Certificate File** field, and browse to your backup copy of the private key file generated with the certificate that will be used for the HA pair.
  - c. Choose **Private Key** as the File Type.
  - d. Click **Upload** to upload the private key.
  - e. With **Import Certificate** selected from the **Choose an action:** menu, browse to the certificate (temporary or CA-signed) associated with the private key.
  - f. Choose **CA-signed PEM-encoded X.509 Cert** as the File Type.
  - g. Click **Upload** to upload the temporary certificate or CA-signed certificate.
  - h. Click **Verify and Install Uploaded Certificates**.
- See [Manage CAM SSL Certificates, page 15-6](#) for details.
- Step 4** Go to the **Administration > CCA Manager > Network** and change the **IP Address** of the secondary CAM to an address that is different from the HA-Primary CAM IP address and the Service IP address (such as *x.x.x.122*).

Figure 16-3 Secondary Clean Access Manager Failover Settings

Clean Access Manager > Failover Settings

**Current Status**  
Local CAM (rjcam\_2): OK [STANDBY] Peer CAM (rjcam\_1): OK

Clean Access Manager Mode: HA-Secondary Mode

Service IP Address: 10.201.2.102 \*

Link-detect IP Address for eth0: N/A

Link-detect Timeout (seconds): 30 \*\*  
(10 seconds minimum; 25 seconds or longer recommended; 30 seconds default)

[Secondary] Local Host Name: rjcam\_2

[Primary] Peer Host Name: rjcam\_1 \*

Heartbeat UDP Interface 1 (Mandatory):  eth1  Auto eth1 Setup

[Primary] Heartbeat IP Address on eth1: 192.168.0.254 \* (Mask:255.255.255.252)

Heartbeat UDP Interface 2:  eth0

[Primary] Heartbeat IP Address on eth0:  (peer ip on heartbeat udp interface eth0)

Heartbeat UDP Interface 3: N/A

[Primary] Heartbeat IP Address on interface 3:  (peer ip on heartbeat udp interface 3)

Heartbeat Serial Interface: N/A

Heartbeat Timeout (seconds): 15 \*  
(5 seconds minimum; 15 seconds or longer recommended; 15 seconds default)

\* Mandatory  
\*\* Mandatory if Link-detect IP is configured

Update Reboot

165804

- Step 5** Set the **Host Name** value to the same value set for the **Peer Host Name** in the HA-Primary CAM configuration. See [Figure 16-1 on page 16-2](#).



**Note** The **Host Name** and **Peer Host Name** fields are case-sensitive. Make sure to match what is typed here with what was typed for the HA-Primary CAM.

- Step 6** Choose **HA-Secondary** in the **Clean Access Manager Mode** dropdown menu. The high availability settings appear.
- Step 7** Set the **Service IP Address** value to the same value set for the **Service IP Address** in the HA-Primary CAM configuration.
- Step 8** (Recommended) Specify parameters to enable failover based on eth0 link failure detection for the HA-Secondary CAM:
- a. Enter IP addresses for the interfaces the HA pair uses to failover from the primary to the secondary CAM in the **Link-detect IP Address for eth0** field.
  - b. Specify the duration (in seconds) the CAM continues to ping the Link-detect IP address before determining that the eth0 interface may have gone down, thus initiating a failover to the secondary CAM, in the **Link-detect Timeout** field. The minimum value for this setting is 10 seconds, but Cisco recommends at least a 25-second timeout interval.

**Note**

Link-detect settings on the CAM (Release 4.1(3) and later) are needed to allow the active CAM to failover to the standby CAM in case of a switch port failure or a link failure on the switch port connected to eth0 of the active CAM. In the event a failover must take place, the Link detect setting allows the standby CAM to ensure that the secondary CAM eth0 interface is up and able to take on the active role.

- Step 9** Set the **[Primary] Peer Host Name** value to the HA-Primary CAM's host name.
- Step 10** If you are using the default setting for the mandatory eth1 UDP heartbeat interface, leave the **Auto eth1 Setup** checkbox enabled (checked). If you want to specify a different **[Primary] Heartbeat eth1 Address**, uncheck the **Auto eth1 Setup** checkbox and enter the new IP address in the (**peer IP on heartbeat udp interface on eth1**) field.

**Note**

The **Auto eth1 Setup** option automatically assigns 192.168.0.254 as the primary CAM's eth1 (heartbeat) interface and assumes the IP address for the peer (secondary) eth1 interface is 192.168.0.253.

**Warning**

**To specify redundant failover links as described in Step 12, you must first configure the appropriate Ethernet interfaces on the CAM before you try to set up HA. If you attempt to configure these interfaces, however, and the NICs on which the Ethernet interfaces reside are not configured correctly, the CAM will enter maintenance mode (will not boot properly) when you reboot.**

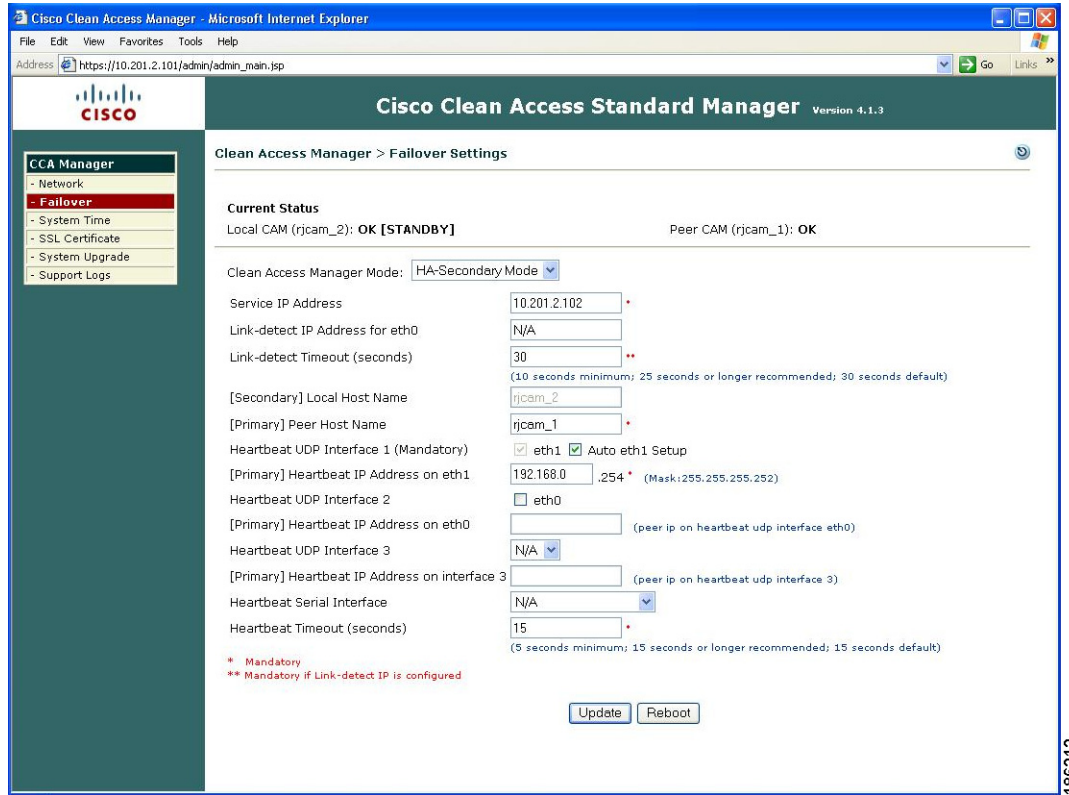
- Step 11** (Optional) If you enabled the HA-Primary CAM's **Heartbeat UDP Interface 2** function that sets up a redundant failover heartbeat via the CAM eth0 interface on the HA-Primary CAM, enable the **eth0** checkbox and specify the same peer IP address in the **[Primary] Heartbeat IP Address on eth0** field as on the HA-Primary CAM.
- Step 12** (Optional) If you enabled the HA-Primary CAM's **Heartbeat UDP Interface 3** function on the HA-Primary CAM, select **eth2** or **eth3** from the dropdown menu and the same associated peer IP address in the **[Primary] Heartbeat IP Address on interface 3** field as on the HA-Primary CAM.
- Step 13** From the **Heartbeat Serial Interface** dropdown menu, choose the serial port to which you connected the serial cable of the HA-Primary CAM, or leave this N/A if not using serial connection. The options in this dropdown list are the serial interfaces that are both enabled and available on the CAM for heartbeat interface connection. (See [Serial Connection, page 16-5](#) for further details.)

**Warning**

**When connecting high availability (failover) pairs via serial cable, BIOS redirection to the serial port must be disabled for NAC-3300 series appliances and any other server hardware platform that supports the BIOS redirection to serial port functionality. See [Supported Hardware and System Requirements for Cisco NAC Appliance \(Cisco Clean Access\)](#) for more information.**

- Step 14** Click **Update** and then **Reboot**.  
When the standby CAM starts up, it automatically synchronizes its database with the active CAM.
- Step 15** Finally, open the admin console for the standby again and complete the configuration as follows. Notice that the admin console for the standby now has only one management module.

Figure 16-4 Standby Web Admin Console



## Complete the Configuration

Verify settings in the **Failover** pages for both the active and standby CAMs. The high availability configuration is now complete.

## Upgrading an Existing Failover Pair

For instructions on how to upgrade an existing failover pair to a new Cisco NAC Appliance release, see “Upgrading High Availability Pairs” in the [Release Notes for Cisco NAC Appliance \(Cisco Clean Access\), Version 4.1\(x\)](#).

## Failing Over an HA-CAM Pair



### Warning

**To prevent any possible data loss during database synchronization, always make sure the standby CAM is up and running before failing over the active CAM.**

To failover an HA-CAM pair, SSH to the active machine in the pair and perform one of the following commands:

- `shutdown`, OR

- `reboot`, or
- `service perfigo stop`

This stops all services on the active machine. When heartbeat fails, the standby machine will assume the active role. Perform `service perfigo start` to restart services on the stopped machine. This should cause the stopped machine to assume the standby role.

**Note**

`service perfigo restart` should not be used to test high availability (failover). Instead, Cisco recommends “shutdown” or “reboot” on the machine to test failover, or, the CLI commands `service perfigo stop` and `service perfigo start`. See [CAM CLI Commands, page 2-14](#).

## Useful CLI Commands for HA

The following are useful files to know about for HA on the CAM:

- `/etc/ha.d/perfigo/conf`
- `/etc/ha.d/ha.cf`

The following example shows the location of the HA debug/log files, as well as the name of each CAM (node) in the HA pair:

```
[root@rjcam_1 ha.d]# more ha.cf
# Generated by make-hacf.pl
udpport      694
bcast        eth1
auto_failback off
apiauth      default uid=root
log_badpack  false
debug        0
debugfile    /var/log/ha-debug
logfile      /var/log/ha-log
#logfacility  local0
watchdog     /dev/watchdog
keepalive    2
warntime     10
deadtime     15
node         rjcam_1
node         rjcam_2
```

### Verifying Active/Standby Runtime Status on the HA CAM

The following example shows how to use the CLI to determine the runtime status (active or standby) of each CAM in the HA pair. You can find the `fostate.sh` command from the `/perfigo/common/bin/` directory on new and upgraded CAMs (for example `/perfigo/common/bin/cca_upgrade-4.x.x`).

1. Run the `fostate.sh` script on the first CAM:

```
[root@rjcam_1 cca_upgrade-4.x.x]# ./fostate.sh
My node is active, peer node is standby
[root@rjcam_1 cca_upgrade-4.x.x]#
```

This CAM is the active CAM in the HA-pair

2. Run the `fostate.sh` script on the second CAM:

```
[root@rjcam_2 cca_upgrade-4.x.x]# ./fostate.sh
My node is standby, peer node is active
[root@rjcam_2 cca_upgrade-4.x.x]#
```

This CAM is the standby CAM in the HA-pair

### Verifying Primary/Secondary Configuration Status on the HA CAM

The following example shows how to use the CLI to determine the HA mode (Primary/Secondary) for which each CAM was initially configured in the HA pair.

1. Find the name of the CAMs (nodes) with `/etc/ha.d/ha.cf`.
2. Then check status on each CAM, for example:
 

```
[root@rjcam_1 ~]# /perfigo/control/bin/check-ha rjcam_1
active
[root@rjcam_1 ~]# /perfigo/control/bin/check-ha rjcam_2
active
```
3. Go to `/perfigo/control/tomcat` and perform `ls -la`:
  - If `webapps` is pointing to `normal-webapps`, it is the primary CAM
  - If `webapps` is pointing to `admin-webapps`, it is the secondary CAM

For example, this CAM is the primary CAM:

```
[root@rjcam_1 tomcat]# cd /perfigo/control/tomcat
[root@rjcam_1 tomcat]# ls -la
total 216
drwxr-xr-x 12 root root 4096 Sep 14 23:28 .
drwxr-xr-x  8 root root 4096 Aug 28 22:12 ..
drwxr-xr-x  4 root root 4096 Aug 28 22:12 admin-webapps
<output cut...>
drwxr-xr-x  2 root root 4096 Aug 28 22:12 temp
lrwxrwxrwx  1 root root   38 Sep 14 23:28 webapps ->
/perfigo/control/tomcat/normal-webapps
drwxr-xr-x  3 root root 4096 Aug 28 15:15 work
```

This CAM is the secondary CAM:

```
[root@rjcam_2 tomcat]# ls -la
total 216
drwxr-xr-x 12 root root 4096 Sep 14 23:33 .
drwxr-xr-x  8 root root 4096 Sep 15 2006 ..
drwxr-xr-x  4 root root 4096 Sep 15 2006 admin-webapps
<output cut ...>
drwxr-xr-x  2 root root 4096 Sep 15 2006 temp
lrwxrwxrwx  1 root root   37 Sep 14 23:33 webapps ->
/perfigo/control/tomcat/admin-webapps
drwxr-xr-x  3 root root 4096 Sep 14 23:25 work
```

## Adding High Availability Cisco NAC Appliance To Your Network

The following diagrams illustrate how HA-CAMs and HA-CASs can be added to an example core-distribution-access network (with Catalyst 6500s in the distribution and access layers).

Figure 16-5 shows a network topology without Cisco NAC Appliance, where the core and distribution layers are running HSRP (Hot Standby Router Protocol), and the access switches are dual-homed to the distribution switches.

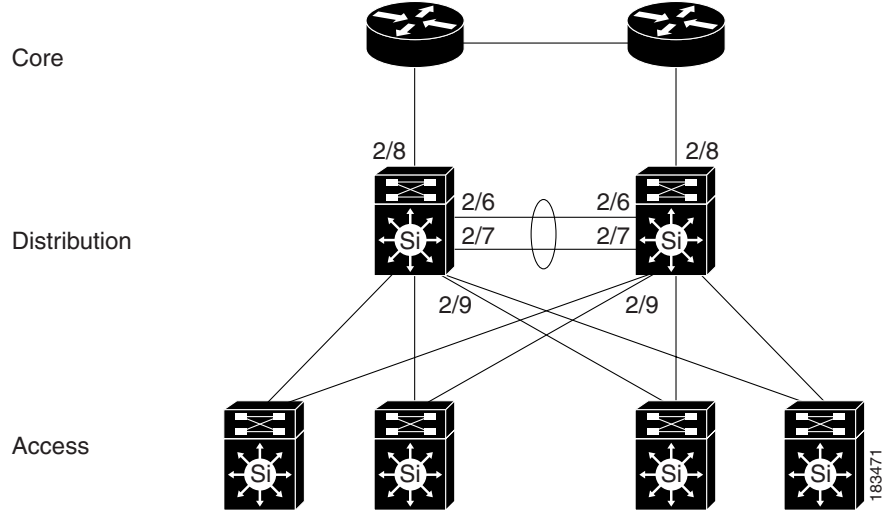
**Figure 16-5** Example Core-Distribution-Access Network Before Cisco NAC Appliance

Figure 16-6 shows how HA-CAMs can be added to the core-distribution-access network. In this example, the HA heartbeat connection is configured over both serial and eth1 interfaces.

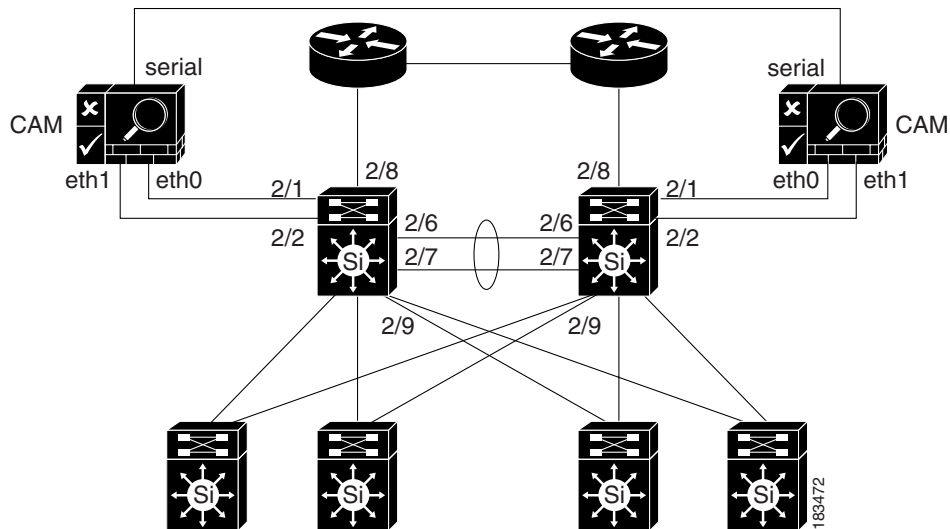
**Figure 16-6** Adding HA CAMs to Network

Figure 16-7 shows how HA-CASs can be added to the core-distribution-access network. In this example, the CAS is configured as an L2 OOB Virtual Gateway in Central Deployment. The HA heartbeat connection is configured over both a serial interface and a dedicated eth2 interface. Link-failure based failover connection can also be configured over the eth0 and/or eth1 interfaces.

**Note**

Cisco NAC network modules installed in Cisco Integrated Services Routers (ISRs) do not support high availability.

Figure 16-7 Adding HA CAS to Network

