



# CHAPTER 23

## Obtaining Software

---

This chapter describes how to obtain and install the latest Cisco IPS software, and contains the following topics:

- [Downloading Cisco IPS Software, page 23-1](#)
- [Obtaining Cisco IPS Software, page 23-1](#)
- [IPS Software Versioning, page 23-3](#)
- [Upgrading Cisco IPS Software to 6.1, page 23-8](#)
- [Receiving Cisco IPS Active Update Bulletins, page 23-9](#)
- [Accessing IPS Documentation, page 23-10](#)
- [Cisco Security Center, page 23-11](#)

## Downloading Cisco IPS Software

You can download the latest Cisco IPS software from Cisco.com. You must be logged into Cisco.com to access the software download site. The first time you download software, you set up an account with cryptographic access. You can sign up for IPS Alert Bulletins to receive information on the latest software releases.



### Caution

---

The BIOS on Cisco IPS sensors is specific to Cisco IPS sensors and must only be upgraded under instructions from Cisco with BIOS files obtained from the Cisco website. Installing a non-Cisco or third-party BIOS on Cisco IPS sensors voids the warranty.

---

## Obtaining Cisco IPS Software

You can find major and minor updates, service packs, signature and signature engine updates, system and recovery files, firmware upgrades, and readmes on the Download Software site on Cisco.com.



### Note

---

You must be logged in to Cisco.com to download software.

---

Signature updates are posted to Cisco.com approximately every week, more often if needed. Service packs are posted to Cisco.com as needed. Major and minor updates are also posted periodically. Check Cisco.com regularly for the latest IPS software.

**Note**

You must have an active IPS maintenance contract and a Cisco.com password to download software.

**Note**

You must have a license to apply signature updates.

To download software on Cisco.com, follow these steps:

- Step 1** Log in to [Cisco.com](http://Cisco.com).
- Step 2** From the Support drop-down menu, choose **Download Software**.
- Step 3** Under Select a Software Product Category, choose **Security Software**.
- Step 4** Choose **Intrusion Prevention System (IPS)**.
- Step 5** Enter your username and password.
- Step 6** In the Download Software window, choose **IPS Appliances > Cisco Intrusion Prevention System** and then click the version you want to download.

**Note**

You must have an IPS subscription service license to download software.

- Step 7** Click the type of software file you need.  
The available files appear in a list in the right side of the window. You can sort by file name, file size, memory, and release date. And you can access the Release Notes and other product documentation.
- Step 8** Click the file you want to download.  
The file details appear.
- Step 9** Verify that it is the correct file, and click **Download**.
- Step 10** Click **Agree** to accept the software download rules.  
The first time you download a file from Cisco.com, you must fill in the Encryption Software Export Distribution Authorization form before you can download the software.
  - Fill out the form and click **Submit**.  
The Cisco Systems Inc. Encryption Software Usage Handling and Distribution Policy appears.
  - Read the policy and click **I Accept**.  
The Encryption Software Export/Distribution Form appears.If you previously filled out the Encryption Software Export Distribution Authorization form, and read and accepted the Cisco Systems Inc. Encryption Software Usage Handling and Distribution Policy, these forms are not displayed again.  
The File Download dialog box appears.
- Step 11** Open the file or save it to your computer.
- Step 12** Follow the instructions in the Readme to install the update.

**Note**

Major and minor updates, service packs, recovery files, signature and signature engine updates are the same for all sensors. System image files are unique per platform.

## IPS Software Versioning

When you download IPS software images from Cisco.com, you should understand the versioning scheme so that you know which files are base files, which are cumulative, and which are incremental.

**Note**

The software version installed on your sensor is listed on the Sensor Information tab in the Device List pane in IME.

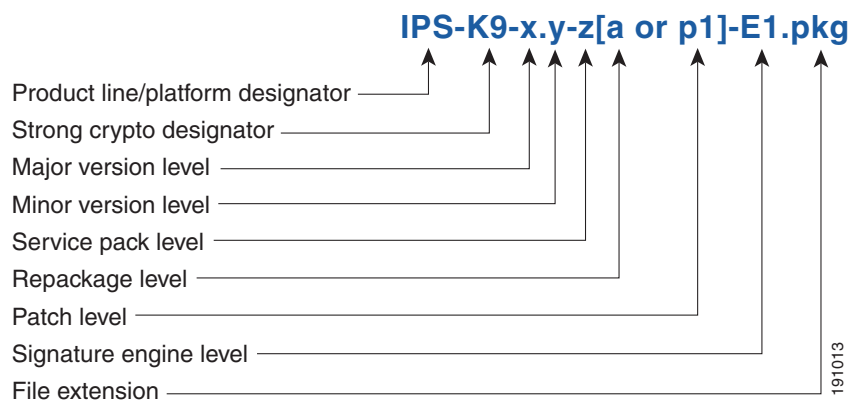
This section describes the various IPS software files, gives software release examples, and contains the following topics:

- [Major and Minor Updates, Service Packs, and Patch Releases, page 23-3](#)
- [Signature/Virus Updates and Signature Engine Updates, page 23-5](#)
- [Recovery, Manufacturing, and System Image, page 23-6](#)
- [6.x Software Release Examples, page 23-6](#)

## Major and Minor Updates, Service Packs, and Patch Releases

Figure 23-1 illustrates what each part of the IPS software file represents for major and minor updates, service packs, and patch releases.

**Figure 23-1** *IPS Software File Name for Major and Minor Updates, Service Packs, and Patch Releases*



### Major Update

Contains new functionality or an architectural change in the product. For example, the Cisco IPS 6.0 base version includes everything (except deprecated features) since the previous major release (the minor update features, service pack fixes, and signature updates) plus any new changes. Major update 6.0(1) requires 5.x. With each major update there are corresponding system and recovery packages.



---

**Note** The 6.0(1) major update is only used to upgrade 5.x sensors to 6.0(1). If you are reinstalling 6.0(1) on a sensor that already has 6.0(1) installed, use the system image or recovery procedures rather than the major update.

---

### Minor Update

Incremental to the major version. Minor updates are also base versions for service packs. The first minor update for 6.0 is 6.1(1). Minor updates are released for minor enhancements to the product. Minor updates contain all previous minor features (except deprecated features), service pack fixes, signature updates since the last major version, and the new minor features being released. You can install the minor updates on the previous major or minor version (and often even on earlier versions). The minimum supported version needed to upgrade to the newest minor version is listed in the Readme that accompanies the minor update. With each minor update there are corresponding system and recovery packages.

### Service Packs

Cumulative following a base version release (minor or major). Service packs are used for the release of defect fixes with no new enhancements. Service packs contain all service pack fixes since the last base version (minor or major) and the new defect fixes being released. Service packs require the minor version. The minimum supported version needed to upgrade to the newest service pack is listed in the Readme that accompanies the service pack. Service packs also include the latest engine update. For example, if service pack 6.0(3) is released, and E3 is the latest engine level, the service pack is released as 6.0(3)E3.

### Patch Release

Used to address defects that are identified in the upgrade binaries after a software release. Rather than waiting until the next major or minor update, or service pack to address these defects, a patch can be posted. Patches include all prior patch releases within the associated service pack level. The patches roll into the next official major or minor update, or service pack.

Before you can install a patch release, the most recent major or minor update, or service pack must be installed. For example, patch release 5.0(1p1) requires 5.0(1).



---

**Note** Upgrading to a newer patch does not require you to uninstall the old patch. For example, you can upgrade from patch 5.0(1p1) to 5.0(1p2) without first uninstalling 5.0(1p1).

---

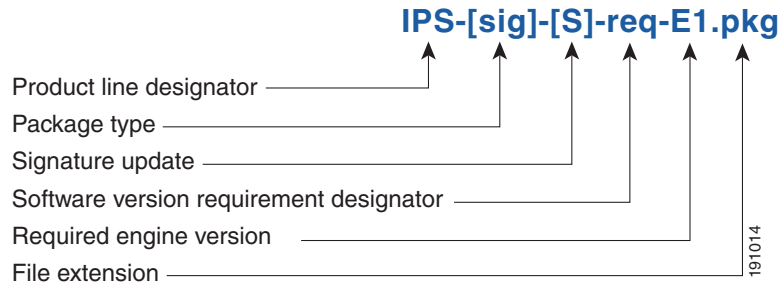
### For More Information

For a table listing the types of files with examples of filenames and corresponding software releases, see [6.x Software Release Examples, page 23-6](#).

## Signature/Virus Updates and Signature Engine Updates

Figure 23-2 illustrates what each part of the IPS software file represents for signature/virus updates.

**Figure 23-2** IPS Software File Name for Signature/Virus Updates,



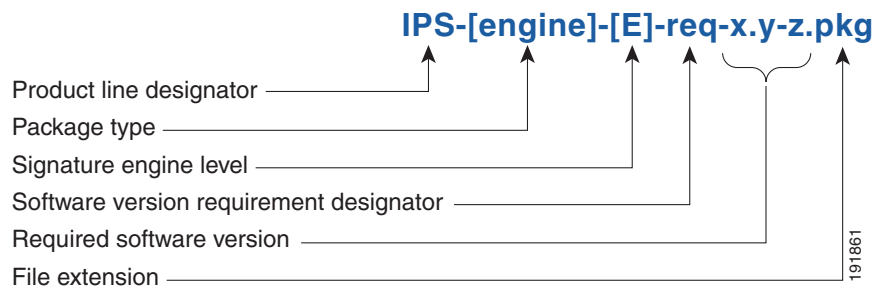
### Signature/Virus Updates

Executable file containing a set of rules designed to recognize malicious network activities. Signature updates are released independently from other software updates. Each time a major or minor update is released, you can install signature updates on the new version and the next oldest version for a period of at least six months. Signature updates are dependent on a required signature engine version. Because of this, a *req* designator lists the signature engine required to support a particular signature update.

A virus component for the signature updates is packaged with the signature update. Virus updates are generated by Trend Microsystems for use by the Cisco Intrusion Containment System (Cisco ICS). Once created for use by Cisco ICS, they are later be incorporated into standard Cisco signature updates.

Figure 23-3 illustrates what each part of the IPS software file represents for signature engine updates.

**Figure 23-3** IPS Software File Name for Signature Engine Updates



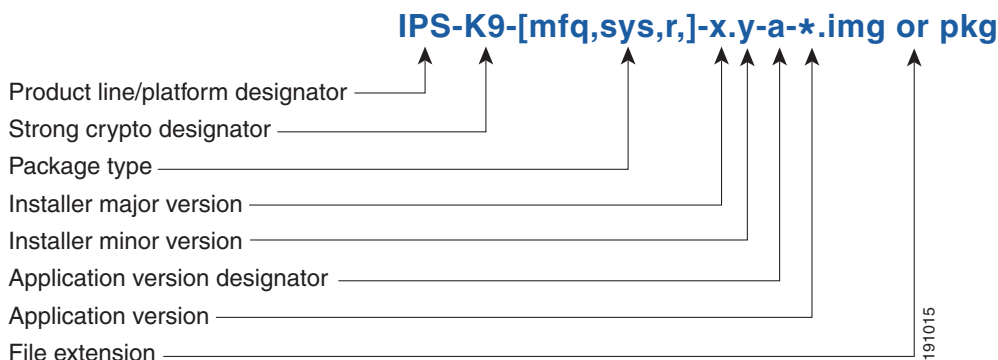
### Signature Engine Updates

Executable files containing binary code to support new signature updates. Signature engine files require a specific service pack, which is also identified by the *req* designator.

## Recovery, Manufacturing, and System Image

Figure 23-4 illustrates what each part of the IPS software file represents for recovery and system image filenames.

**Figure 23-4** IPS Software File Name for Recovery and System Image Filenames



Recovery and system images contain separate versions for the installer and the underlying application. The installer version contains a major and minor version field.

### Installer Major Version

The major version is incremented by one of any major changes to the image installer, for example, switching from .tar to rpm or changing kernels.

### Installer Minor Version

The minor version can be incremented by any one of the following:

- Minor change to the installer, for example, a user prompt added.
- Repackages require the installer minor version to be incremented by one if the image file must be repackaged to address a defect or problem with the installer.

## 6.x Software Release Examples

Table 23-1 lists platform-independent Cisco IPS 6.x software release examples. Refer to the Readmes that accompany the software files for detailed instructions on how to install the files.

**Table 23-1** Platform-Independent Release Examples

Release	Target Frequency	Identifier	Example Version	Example Filename
Signature update <sup>1</sup>	Weekly	sig	S353	IPS-sig-S353-req-E2.pkg
Signature engine update <sup>2</sup>	As needed	engine	E2	IPS-engine-E2-req-6.1-1.pkg
Service packs <sup>3</sup>	Semi-annually or as needed	—	6.1(3)	IPS-K9-6.1-3-E2.pkg

**Table 23-1 Platform-Independent Release Examples (continued)**

Release	Target Frequency	Identifier	Example Version	Example Filename
Minor version update <sup>4</sup>	Annually	—	6.1(1)	IPS-K9-6.1-1-E1.pkg  <b>Note</b> The minor version update for AIM-IPS is IPS-AIM-K9-6.1-1-E1.pkg.
Major version update <sup>5</sup>	Annually	—	6.0(1)	IPS-K9-6.0-1-E1.pkg
Patch release <sup>6</sup>	As needed	patch	6.0(1p1)	IPS-K9-patch-6.0-1p1-E1.pkg
Recovery package <sup>7</sup>	Annually or as needed	r	1.1-6.1(1)	IPS-K9-r-1.1-a-6.1-1-E2.pkg

- Signature updates include the latest cumulative IPS signatures.
- Signature engine updates add new engines or engine parameters that are used by new signatures in later signature updates.
- Service packs include defect fixes.
- Minor versions include new minor version features and/or minor version functionality.
- Major versions include new major version functionality or new architecture.
- Patch releases are for interim fixes.
- The r 1.1 can be revised to r 1.2 if it is necessary to release a new recovery package that contains the same underlying application image. If there are defect fixes for the installer, for example, the underlying application version may still be 6.0(1), but the recovery partition image will be r 1.2.

Table 23-2 describes platform-dependent software release examples.

**Table 23-2 Platform-Dependent Release Examples**

Release	Target Frequency	Identifier	Supported Platform	Example Filename
System image <sup>1</sup>	Annually	sys	Separate file for each sensor platform	IPS-4240-K9-sys-1.1-a-6.1-1-E1.img
Maintenance partition image <sup>2</sup>	Annually	mp	IDSM-2	c6svc-mp-2-1-2.bin.gz
Bootloader	As needed	bl	AIM-IPS NME-IPS	pse_aim_x.y.z.bin pse_nm_x.y.z.bin (where x, y, z is the release number)
Mini-kernel	As needed	mini-kernel	AIM-IPS NME-IPS	pse_mini_kernel_1.1.10.64.bz2

- The system image includes the combined recovery and application image used to reimagine an entire sensor.
- The maintenance partition image includes the full image for the IDSM-2 maintenance partition. The file is installed from but does not affect the IDSM-2 application partition.

Table 23-3 describes the platform identifiers used in platform-specific names.

**Table 23-3 Platform Identifiers**

Sensor Family	Identifier
IPS-4240 series	4240
IPS-4255 series	4255
IPS-4260 series	4260
IPS 4270-20 series	4270_20
IDS module for Catalyst 6K	IDSM2
IPS network module	AIM NME
AIP-SSM	SSM_10 SSM_20 SSM_40

#### For More Information

For instructions on how to access these files on Cisco.com, see [Obtaining Cisco IPS Software, page 23-1](#).

## Upgrading Cisco IPS Software to 6.1

The minimum required version for upgrading to 6.1(1) is 5.0(1) or later, which is available as a download from Cisco.com.



#### Note

Use the IPS-AIM-K9-6.1-1-E1.pkg upgrade file to upgrade AIM-IPS. For all other supported sensors, use the IPS-K9-6.1-1-E1.pkg upgrade file.

If you configured Auto Update for your sensor, copy the Cisco IPS 6.1(1)E1 update to the directory on the server that your sensor polls for updates. If you install an update on your sensor and the sensor is unusable after it reboots, you must reimage your sensor.

You can reimage your sensor in the following ways:

- For all sensors, use the **recover** command.
- For IPS-4240, IPS-4255, IPS-4260, and IPS 4270-20, use the ROMMON to restore the system image.
- For AIM-IPS and NME-IPS, use the bootloader.
- For IDSM-2, reimage the application partition from the maintenance partition.



#### Note

You cannot upgrade the IDSM (WS-X6381) to IPS 6.x. You must replace your IDSM (WS-X6381) with IDSM-2 (WS-SVC-IDSM2-K9), which supports version 6.1(1)E1.

- For AIP-SSM, reimage from the adaptive security appliance using the **hw-module module 1 recover configure/boot** command.

**Caution**

When you install the system image for your sensor, all accounts are removed and the default account and password are reset to **cisco**.

**For More Information**

- For the procedure for accessing downloads on Cisco.com, see [Obtaining Cisco IPS Software, page 23-1](#).
- For the procedure for using the **upgrade** command to upgrade the sensor, see [Upgrading the Sensor, page 24-2](#).
- For the procedure for configuring automatic upgrades on the sensor, see [Configuring Automatic Upgrades, page 24-6](#).
- For the procedure for using the **recover** command, see [Recovering the Application Partition, page 24-11](#).
- For the procedures for using ROMMON to restore the system image, see [Installing the IPS-4240 and IPS-4255 System Images, page 24-15](#), [Installing the IPS-4260 System Image, page 24-18](#), and [Installing the IPS 4270-20 System Image, page 24-20](#).
- For the procedure for restoring the AIM-IPS system image, see [Installing the AIM-IPS System Image, page 24-23](#).
- For the procedure for reimaging the IDSM-2 application partition from the maintenance partition, see [Installing the IDSM-2 System Image, page 24-27](#).
- For the procedure for using the **hw-module module 1 recover configure/boot** command to reimage AIP-SSM, see [Installing the AIP-SSM System Image, page 24-25](#).
- For the procedure for restoring the NME-IPS system image, see [Installing the NME-IPS System Image, page 24-39](#).

## Receiving Cisco IPS Active Update Bulletins

You can subscribe to Cisco IPS Active Update Bulletins on Cisco.com to receive e-mails when signature updates and service pack updates occur.

To receive bulletins about updates, follow these steps:

- Step 1** Log in to [Cisco.com](#).
- Step 2** Under Quick Links on the right side of the window, click **Security Center**.
- Step 3** Scroll down and under Products and Service Updates, choose **Cisco IPS Active Update Bulletins**.
- Step 4** Click one of the Cisco IPS Active Update Bulletins.
- Step 5** Under In this Issue, click **Subscription Information**.
- Step 6** Under Subscription Information, click **subscribe now**.
- Step 7** Fill out the required information, as follows:
  - a. Would you like to receive IDS Active Update Bulletin? Select **Yes** or **No** from the drop-down list.
  - b. Enter your first name in the **First Name** field.
  - c. Enter your last name in the **Last Name** field.
  - d. Enter the name of your company in the **Company** field.

- e. Choose your country from the drop-down menu.
  - f. Enter your e-mail address in the **E-mail** field.
- Step 8** Check the check box to receive further information about Cisco products and offerings by e-mail.
- Step 9** Fill in the optional information if desired.
- a. Choose your job function from the drop-down list.
  - b. Choose your job level from the drop-down list.
  - c. Choose your industry or business type from the drop-down list.
  - d. Choose how many people your organization employs worldwide from the drop-down list.
  - e. Choose your company or organization type from the drop-down list.
- Step 10** Click **Submit**.
- You receive e-mail notifications of updates when they occur and instructions on how to obtain them.
- 

## Accessing IPS Documentation

You can find IPS documentation at this URL:

[http://www.cisco.com/en/US/products/hw/vpndevc/ps4077/tsd\\_products\\_support\\_series\\_home.html](http://www.cisco.com/en/US/products/hw/vpndevc/ps4077/tsd_products_support_series_home.html)

Or to access IPS documentation from Cisco.com, follow these steps:

---

- Step 1** Log in to [Cisco.com](http://www.cisco.com).
- Step 2** Under Quick Links on the right side of the window, click **Documentation**.  
The Product Selection Tool appears.
- Step 3** Click **Products > Security > Intrusion Prevention System (IPS) > IPS Appliances > Cisco IPS 4200 Series Sensors**.  
The Cisco IPS 4200 Series Sensors window appears.
- Step 4** Click one of the following categories to access Cisco IPS documentation:

- **Download Software**—Takes you to the Download Software site.



---

**Note** You must log in to Cisco.com to access the software download site.

---

- **General Information**—Contains documentation roadmaps and release notes.
  - **Reference Guides**—Contains command references and technical references.
  - **Design**—Contains design guide and design tech notes.
  - **Install and Upgrade**—Contains hardware installation and regulatory guides.
  - **Configure**—Contains configuration guides for IPS CLI, IDM, and IME.
  - **Troubleshoot and Alerts**—Contains TAC tech notes and field notices.
-

# Cisco Security Center

The Cisco Security Center site on Cisco.com provides intelligence reports about current vulnerabilities and security threats. It also has reports on other security topics that help you protect your network and deploy your security systems to reduce organizational risk.

You should be aware of the most recent security threats so that you can most effectively secure and manage your network. The Cisco Security Center contains the top ten intelligence reports listed by date, severity, urgency, and whether there is a new signature available to deal with the threat.

The Cisco Security Center contains a Security News section that lists security articles of interest. There are related security tools and links.

You can access the Cisco Security Center at this URL:

<http://tools.cisco.com/MySDN/Intelligence/home.x>

The Cisco Security Center is also a repository of information for individual signatures, including signature ID, type, structure, and description.

You can access the signature search at this URL:

<http://tools.cisco.com/security/center/search.x?search=Signature>

