



CHAPTER 3

Installing IDS-4215

This chapter describes IDS-4215 and how to install it. It also describes the accessories and how to install them. This chapter contains the following sections:

- [Introducing IDS-4215, page 3-1](#)
- [Front and Back Panel Features, page 3-2](#)
- [Specifications, page 3-3](#)
- [Accessories, page 3-4](#)
- [Surface Mounting, page 3-5](#)
- [Rack Mounting, page 3-5](#)
- [Installing IDS-4215, page 3-7](#)
- [Upgrading the BIOS and ROMMON, page 3-9](#)
- [Removing and Replacing the Chassis Cover, page 3-11](#)
- [Removing and Replacing the IDE Hard-Disk Drive, page 3-14](#)
- [Removing and Replacing the Compact Flash Device, page 3-17](#)
- [Removing and Installing the 4FE Card, page 3-19](#)



Warning

Port numbering for onboard interfaces was reversed from IDS 4.x to IPS 5.0 and later. The port naming convention changed within the IPS application only; the physical chassis label remains unchanged. To correlate chassis port labels to software port names, refer to [Figure 3-2 on page 3-2](#).

Introducing IDS-4215

IDS-4215 can monitor up to 80 Mbps of aggregate traffic and is suitable for T1/E1 and T3 environments. With the addition of the four-port fast Ethernet (4FE) card, IDS-4215 supports five sensing interfaces (10/100BASE-TX), which provide simultaneous protection for multiple subnets.



Note

The 80-Mbps performance for IDS-4215 is based on the following conditions: aggregation of traffic from all five sensing interfaces, 800 new TCP connections per second, 800 HTTP transactions per second, average packet size of 445 bytes, and system running Cisco IPS 5.1 software.

The sensing interfaces and the command and control interface are all 10/100BASE-TX.

Front and Back Panel Features

This section describes the IDS-4215 front and back panel features and indicators.

Figure 3-1 shows the front view of IDS-4215.

Figure 3-1 IDS-4215 Front Panel Features

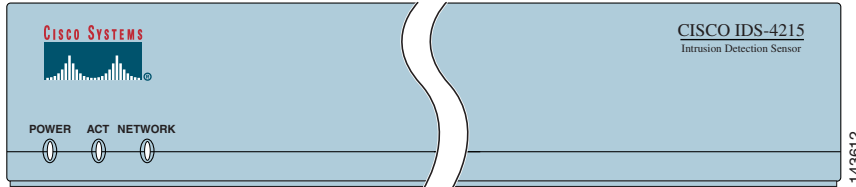


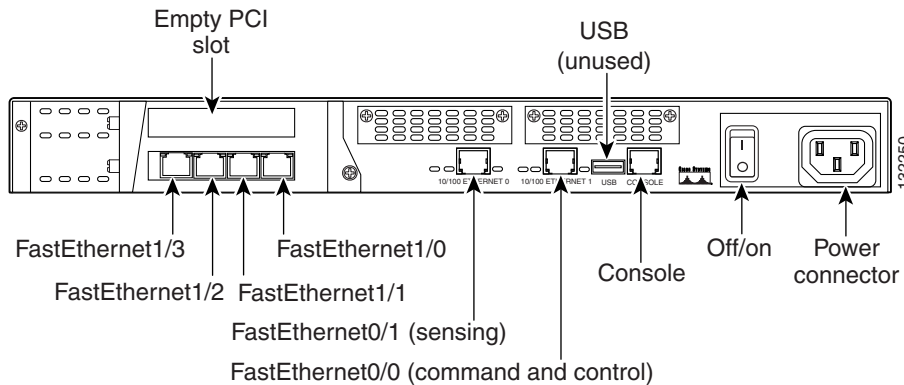
Table 3-1 describes the front panel indicators on IDS-4215.

Table 3-1 Front Panel Indicators

Indicator	Description
POWER	Lights up when power supply is running.
ACT	Lights up when IDS-4215 has completed power-up self-test and has started the operating system and application software loading process.
NETWORK	Blinks when network traffic is passing over either of the two built-in Ethernet ports; does not indicate traffic on any of the four ports of the 4FE card.

Figure 3-2 shows the back view of IDS-4215.

Figure 3-2 IDS-4215 Back Panel Features



Warning

Port numbering for onboard interfaces was reversed from IDS 4.x to IPS 5.0 and later. The port naming convention changed within the IPS application only; the physical chassis label remains unchanged. To correlate chassis port labels to software port names, refer to Figure 3-2.

The built-in Ethernet ports have three indicators per port and the 4FE card has two indicators per port. Figure 3-3 shows the back panel indicators.

Figure 3-3 IDS-4215

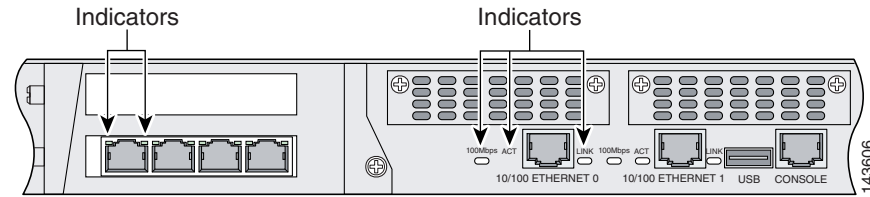


Table 3-2 lists the back panel indicators.

Table 3-2 Back Panel Indicators

Indicator	Description
Built-in Ethernet	—
100 Mbps	Lights up when the port is running in 100-Mbps mode; off when it is running in 10-Mbps mode.
Link	Lights up when the port is connected to another Ethernet port and traffic can be passed between them.
ACT	Blinks when network traffic is being received on the port.
4FE Card	—
LINK/activity	Lights up when the port is connected to another operational Ethernet port but no traffic is being passed between them; blinks off when Ethernet packets are being received.
100 Mbps	Lights up when the port is running in 100-Mbps mode; off when the port is running in 10-Mbps mode.

Specifications

Table 3-3 lists the specifications for IDS-4215.

Table 3-3 IDS-4215 Specifications

Dimensions and Weight	
Height	1.72 in. (4.37 cm)
Width	16.8 in. (42.72 cm)
Depth	11.8 in. (29.97 cm)
Weight	11.5 lb (4.11 kg)
Form factor	1 RU, standard 19-inch rack-mountable
Expansion	Two 32-bit/33-MHz PCI slots
Power	
Autoswitching	100V to 240V AC

Table 3-3 *IDS-4215 Specifications (continued)*

Frequency	50 to 60 Hz, single phase
Operating current	1.5 A
Steady state	50W
Maximum peak	65W
Maximum heat dissipation	410 BTU/hr, full power usage (65W)
Environment	
Temperature	Operating +41°F to +104°F (+5°C to +40°C) Nonoperating -13°F to +158°F (-25°C to +70°C)
Relative humidity	Operating 5% to 95% (noncondensing) Nonoperating 5% to 95% (noncondensing)
Altitude	Operating 0 to 9843 ft (3000 m) Nonoperating 0 to 15,000 ft (4750 m)
Shock	Operating 1.14 m/sec (45 in./sec) 1/2 sine input Nonoperating 30 G
Vibration	0.41 Grms ² (3-500 Hz) random input
Acoustic noise	54 dBa maximum

**Note**

Only one PCI expansion slot can be used for the 4FE card. We recommend you install the 4FE card in the lower PCI expansion slot.

Accessories

**Warning****IMPORTANT SAFETY INSTRUCTIONS**

This warning symbol means danger. You are in a situation that could cause bodily injury. Before you work on any equipment, be aware of the hazards involved with electrical circuitry and be familiar with standard practices for preventing accidents. Use the statement number provided at the end of each warning to locate its translation in the translated safety warnings that accompanied this device. Statement 1071

SAVE THESE INSTRUCTIONS**Warning**

Only trained and qualified personnel should be allowed to install, replace, or service this equipment. Statement 1030

IDS-4215 accessories kit contains the following:

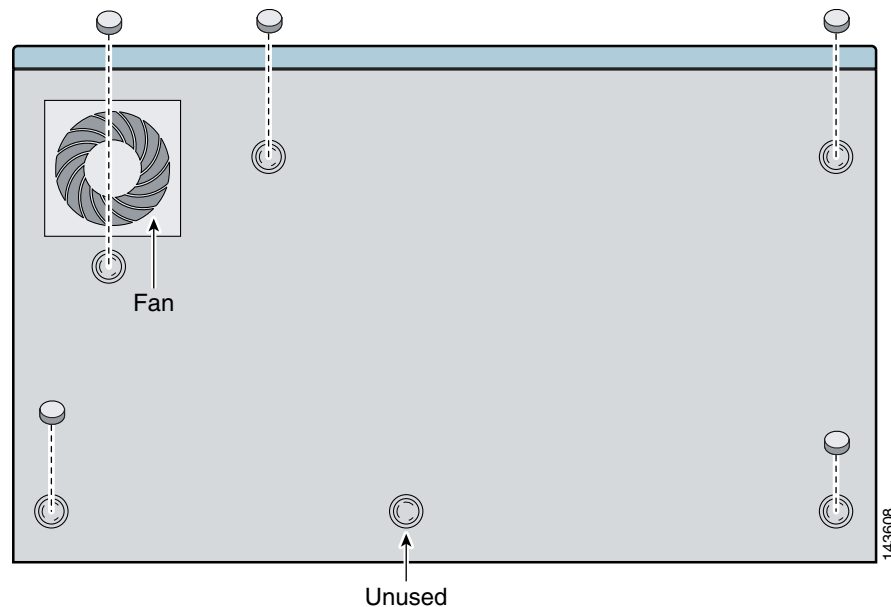
- DB25F/RJ45F adaptor
- DB9F/RJ45F adaptor
- Rubber mounting feet

- Rack mounting kit—screws, washers, and metal bracket
- RJ45 console cable
- 6-ft Ethernet cable

Surface Mounting

If you are not rack mounting IDS-4215, you must attach the rubber feet to the bottom of IDS-4215 as shown in [Figure 3-4](#). The rubber feet are shipped in the accessories kit.

Figure 3-4 Surface Mounting IDS-4215



Caution

For proper cooling and reliability, the rubber feet must be installed on IDS-4215 when it is on a flat surface and not mounted in a rack. The rubber feet allow proper airflow around IDS-4215 and they also absorb vibration so that the hard-disk drive is less impacted.

Rack Mounting



Warning

To prevent bodily injury when mounting or servicing this unit in a rack, you must take special precautions to ensure that the system remains stable. The following guidelines are provided to ensure your safety: This unit should be mounted at the bottom of the rack if it is the only unit in the rack. When mounting this unit in a partially filled rack, load the rack from the bottom to the top with the heaviest component at the bottom of the rack. If the rack is provided with stabilizing devices, install the stabilizers before mounting or servicing the unit in the rack.

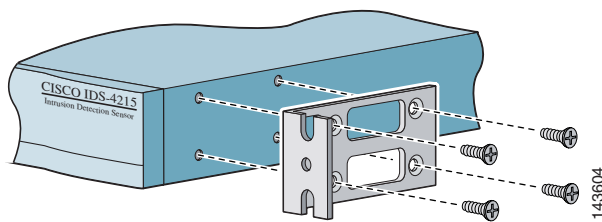
If you are installing the 4FE card in IDS-4215, do not install the mounting brackets until after you have installed the 4FE card.

**Note**

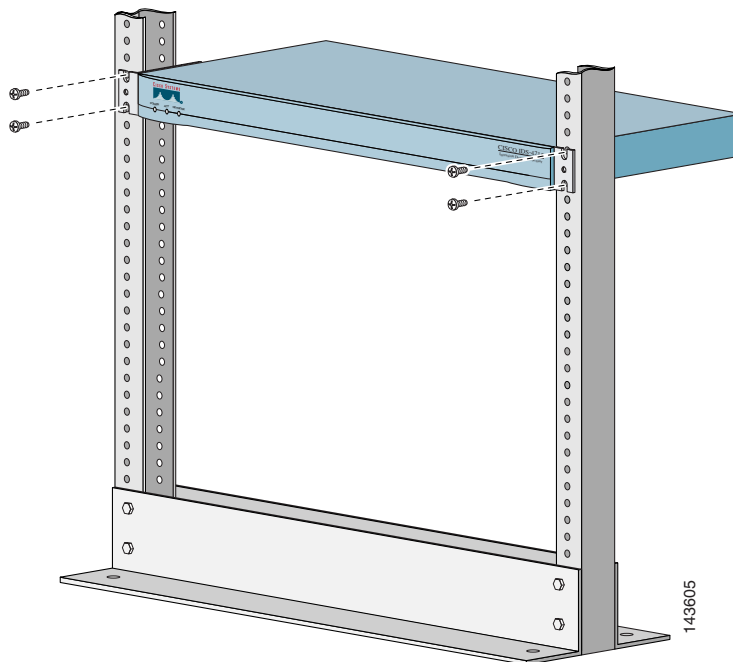
You must remove the chassis cover of IDS-4215 to properly install or remove the 4FE card. For information on how to remove and replace the chassis cover, see [Removing and Replacing the Chassis Cover, page 3-11](#). For information on installing the 4FE card in IDS-4215, see [Installing the 4FE Card, page 3-22](#).

To rack mount IDS-4215, follow these steps:

- Step 1** Use the supplied screws to attach the bracket to IDS-4215.
You can attach the brackets to the holes near the front of IDS-4215.



- Step 2** Attach IDS-4215 to the equipment rack



Installing IDS-4215



Warning

Only trained and qualified personnel should be allowed to install, replace, or service this equipment. Statement 1030

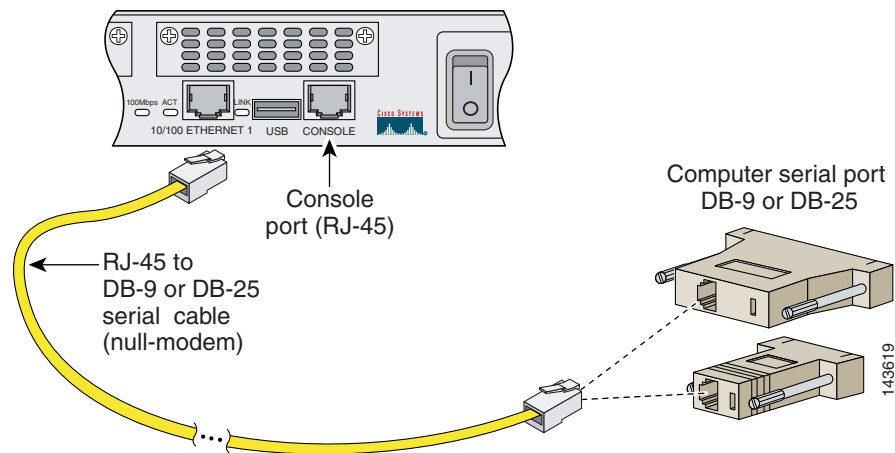


Caution

Follow proper safety procedures when performing these steps by reading the safety warnings in *Regulatory Compliance and Safety Information for the Cisco Intrusion Prevention System 4200 Series Appliance Sensor*.

To install IDS-4215 on the network, follow these steps:

- Step 1** Position IDS-4215 on the network.
- Step 2** Attach the power cord to IDS-4215 and plug it into a power source (a UPS is recommended).
- Step 3** Connect the cable so that you have either a DB-9 or DB-25 connector on one end as required by the serial port for your computer, and the other end is the RJ-45 connector.



Note

Use the console port to connect to a computer to enter configuration commands. Locate the serial cable from the accessory kit. The serial cable assembly consists of a 180/rollover cable with RJ-45 connectors (DB-9 connector adapter PN 74-0495-01 and DB-25 connector adapter PN 29-0810-01).

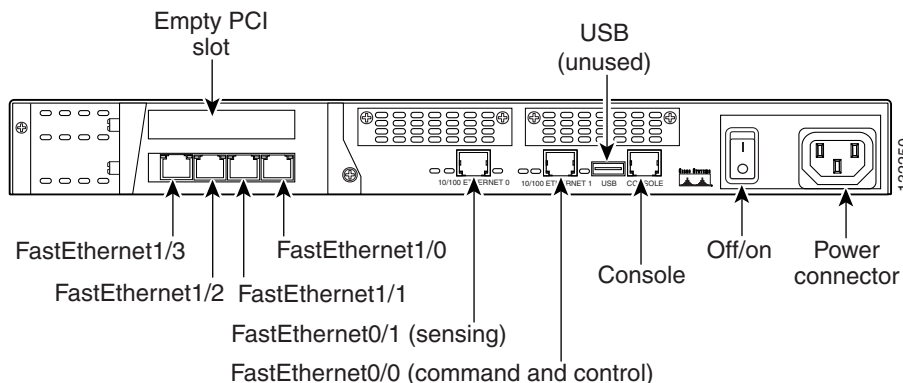


Note

You can use a 180/rollover or straight-through patch cable to connect IDS-4215 to a port on a terminal server with RJ-45 or hydra cable assembly connections. Connect the appropriate cable from the console port on IDS-4215 to a port on the terminal server. For the instructions for setting up a terminal server, see [Setting Up a Terminal Server, page 1-14](#).

- Step 4** Connect the RJ-45 connector to the console port and connect the other end to the serial port connector on your computer.

Step 5 Attach the network cables.



Warning

Port numbering for onboard interfaces was reversed from IDS 4.x to IPS 5.0 and later. The port naming convention changed within the IPS application only; the physical chassis label remains unchanged. To correlate chassis port labels to software port names, refer to the figure above.

IDS-4215 has the following interfaces:

- FastEthernet0/0 is the command and control port.
- FastEthernet0/1 is the sensing port.
- FastEthernet1/0, FastEthernet1/1, FastEthernet1/2, and FastEthernet1/3 are the optional sensing ports available if you have the 4FE card installed.

Caution

Management and console ports are privileged administrative ports. Connecting them to an untrusted network can create security concerns.

Step 6 Power on IDS-4215.

Make sure the BIOS version is 5.1.7 and the ROMMON version is 1.4 before upgrading IDS-4215 to 5.x. For the procedure, see [Upgrading the BIOS and ROMMON, page 3-9](#).



Note The BIOS/ROMMON upgrade is necessary to install the 4.1(4) system image, but not the 5.0(2) system image. The 5.0(2) system image is smaller than the size limitation that applied to earlier versions of ROMMON, while the 4.1(4) system image was larger.

Step 7 Initialize IDS-4215.

For the procedure, see [Initializing the Sensor, page 10-2](#).

Step 8 Upgrade IDS-4215 to the most recent Cisco IPS software.

For the procedure, see [Obtaining Cisco IPS Software, page 11-1](#).

You are now ready to configure intrusion prevention on IDS-4215.

For More Information

- For the procedure for using HTTPS to log in to IDM, refer to [Logging In to IDM](#).
- For the procedures for configuring intrusion prevention on your sensor, refer to the following documents:
 - [Installing and Using Cisco Intrusion Prevention System Device Manager 5.1](#)
 - [Configuring the Cisco Intrusion Prevention System Sensor Using the Command Line Interface 5.1](#)

Upgrading the BIOS and ROMMON

Some TFTP servers limit the maximum file size that can be transferred to ~32 MB. Therefore, we recommend the following TFTP servers:

- For Windows:
 - Tftpd32 version 2.0, available at:
<http://tftpd32.jounin.net/>
- For UNIX:
 - Tftp-hpa series, available at:
<http://www.kernel.org/pub/software/network/tftp/>

The BIOS/ROMMON upgrade utility (IDS-4215-bios-5.1.7-rom-1.4.bin) upgrades the BIOS of IDS-4215 to version 5.1.7 and the ROMMON to version 1.4.

To upgrade the BIOS and ROMMON on IDS-4215, follow these steps:

-
- Step 1** Download the BIOS ROMMON upgrade utility (IDS-4215-bios-5.1.7-rom-1.4.bin) to the TFTP root directory of a TFTP server that is accessible from IDS-4215.

For the procedure for locating software on Cisco.com, see [Obtaining Cisco IPS Software, page 11-1](#).



Note Make sure you can access the TFTP server location from the network connected to the Ethernet port of IDS-4215.

- Step 2** Boot IDS-4215.
- While rebooting, IDS-4215 runs the BIOS POST. After the completion of POST, the console displays the message: `Evaluating Run Options ...` for about 5 seconds.
- Step 3** Press **Ctrl-R** while this message is displayed to display the ROMMON menu.

The console display resembles the following:

```
CISCO SYSTEMS IDS-4215
Embedded BIOS Version 5.1.3 05/12/03 10:18:14.84
Compiled by ciscouser
Evaluating Run Options ...
Cisco ROMMON (1.2) #0: Mon May 12 10:21:46 MDT 2003
Platform IDS-4215
0: i8255X @ PCI(bus:0 dev:13 irq:11)
1: i8255X @ PCI(bus:0 dev:14 irq:11)
Using 1: i82557 @ PCI(bus:0 dev:14 irq:11), MAC: 0000.c0ff.ee01
Use ? for help.
rommon>
```

Step 4 If necessary, change the port number used for the TFTP download:

```
rommon> interface port_number
```

The port in use is listed just before the rommon prompt. Port 1 (default port) is being used as indicated by the text, Using 1: i82557 @ PCI(bus:0 dev:14 irq:11), MAC: 0000.c0ff.ee01.



Note Ports 0 (monitoring port) and 1 (command and control port) are labeled on the back of the chassis.

Step 5 Specify an IP address for the local port on IDS-4215:

```
rommon> address ip_address
```



Note Use the same IP address that is assigned to IDS-4215.

Step 6 Specify the TFTP server IP address:

```
rommon> server ip_address
```

Step 7 Specify the gateway IP address:

```
rommon> gateway ip_address
```

Step 8 Verify that you have access to the TFTP server by pinging it from the local Ethernet port:

```
rommon> ping server_ip_address  
rommon> ping server
```

Step 9 Specify the filename on the TFTP file server from which you are downloading the image:

```
rommon> file filename
```

Example:

```
rommon> file IDS-4215-bios-5.1.7-rom-1.4.bin
```



Note The syntax of the file location depends on the type of TFTP server used. Contact your system or network administrator for the appropriate syntax if the above format does not work.

Step 10 Download and run the update utility:

```
rommon> tftp
```

Step 11 Type **y** at the upgrade prompt and the update is executed.

IDS-4215 reboots when the update is complete.



Caution

Do not remove power to IDS-4215 during the update process, otherwise the upgrade can get corrupted. If this occurs, IDS-4215 will be unusable and require an RMA.

Removing and Replacing the Chassis Cover



Warning

This product relies on the building's installation for short-circuit (overcurrent) protection. Ensure that the protective device is rated not greater than 120 VAC, 20 A U.S. (240 VAC, 16-20 A International). Statement 1005



Warning

This equipment must be grounded. Never defeat the ground conductor or operate the equipment in the absence of a suitably installed ground conductor. Contact the appropriate electrical inspection authority or an electrician if you are uncertain that suitable grounding is available. Statement 1024



Warning

Blank faceplates and cover panels serve three important functions: they prevent exposure to hazardous voltages and currents inside the chassis; they contain electromagnetic interference (EMI) that might disrupt other equipment; and they direct the flow of cooling air through the chassis. Do not operate the system unless all cards, faceplates, front covers, and rear covers are in place. Statement 1029



Warning

This unit might have more than one power supply connection. All connections must be removed to de-energize the unit. Statement 1028



Caution

Follow proper safety procedures when removing and replacing the chassis cover by reading the safety warnings in *Regulatory Compliance and Safety Information for the Cisco Intrusion Prevention System 4200 Series Appliance Sensor*.

This section describes how to remove and replace IDS-4215 chassis cover.

This section contains the following topics:

- [Removing the Chassis Cover, page 3-11](#)
- [Replacing the Chassis Cover, page 3-13](#)

Removing the Chassis Cover



Note

Removing the appliance chassis cover does not affect your Cisco warranty. Upgrading IDS-4215 does not require any special tools and does not create any radio frequency leaks.

To remove the chassis cover, follow these steps:

Step 1 Log in to the CLI.

Step 2 Prepare IDS-4215 to be powered off:

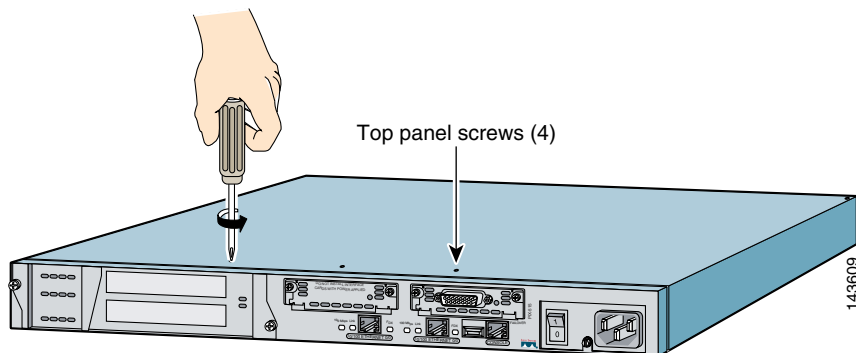
```
sensor# reset powerdown
```

Wait for the power down message before continuing with Step 3.

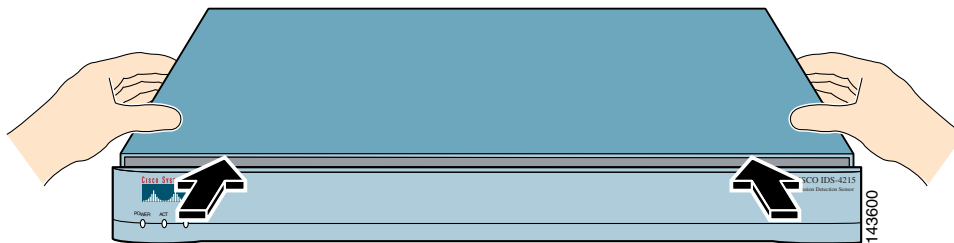


Note You can also power down IDS-4215 using IDM.

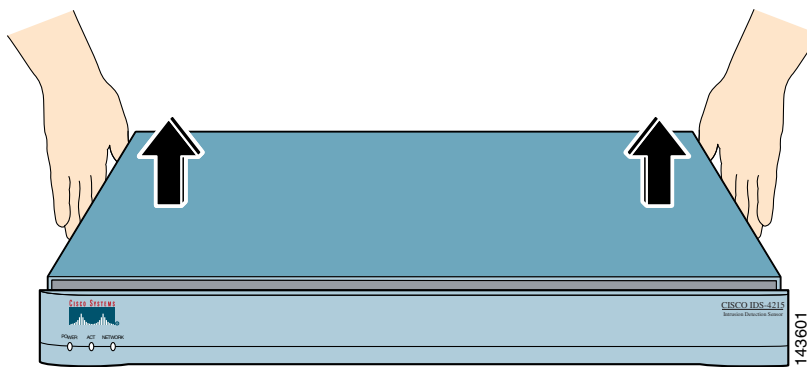
- Step 3** Power off IDS-4215.
- Step 4** Remove the power cord and other cables from IDS-4215.
- Step 5** Place IDS-4215 in an ESD-controlled environment.
For more information, see [Working in an ESD Environment, page 1-25](#).
- Step 6** Remove the screws from the back of the chassis.



- Step 7** With the front of IDS-4215 facing you, push the top panel back one inch.



- Step 8** Pull the top panel up and put it in a safe place.



Replacing the Chassis Cover

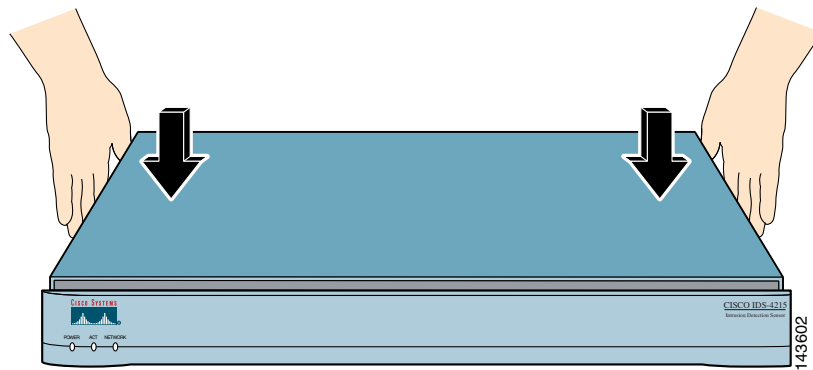


Caution

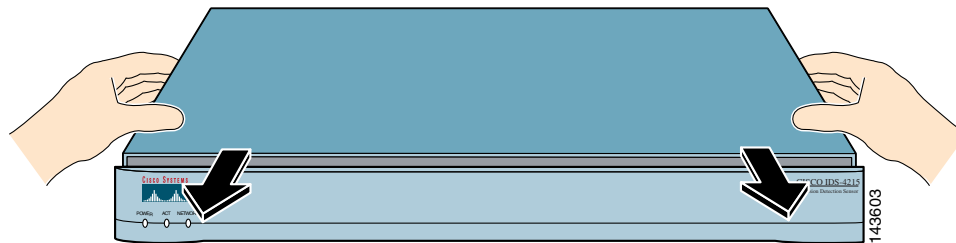
Do not operate IDS-4215 without the chassis cover installed. The chassis cover protects the internal components, prevents electrical shorts, and provides proper air flow for cooling the electronic components.

To replace the chassis cover, follow these steps:

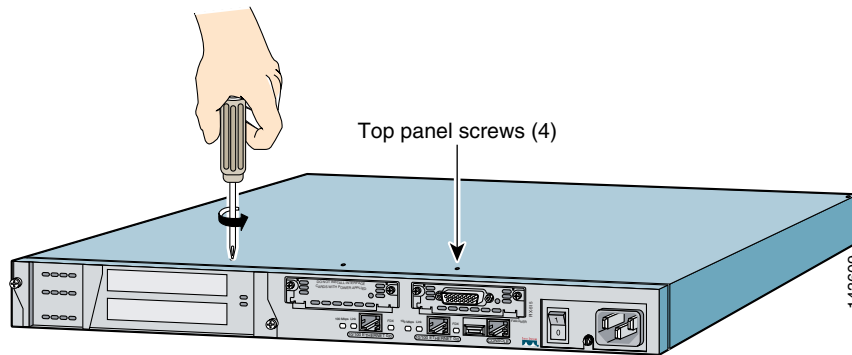
- Step 1** Place the chassis on a secure surface with the front panel facing you.
- Step 2** Hold the top panel so the tabs at the rear of the top panel are aligned with the chassis bottom.



- Step 3** Lower the front of the top panel onto the chassis, making sure that the top panel side tabs fit under the chassis side panels.
- Step 4** Slide the top panel toward the front, making sure that the top panel tabs fit under the chassis back panel and the back panel tabs fit under the top panel.



Step 5 Fasten the top panel with the screws you set aside earlier.



Step 6 Reinstall the chassis on a rack, desktop, or table.

If you are reinstalling in a rack, see [Rack Mounting, page 3-5](#).

Step 7 Reinstall the network interface cables.

For the procedure, see [Installing IDS-4215, page 3-7](#).

Removing and Replacing the IDE Hard-Disk Drive



Warning

Only trained and qualified personnel should be allowed to install, replace, or service this equipment. Statement 1030



Caution

Only use the replacement IDE hard-disk drive from Cisco. We cannot guarantee that other hard-disk drives will operate properly with the IPS.



Caution

Follow proper safety procedures when removing and replacing the hard-disk drive by reading the safety warnings in [Regulatory Compliance and Safety Information for the Cisco Intrusion Prevention System 4200 Series Appliance Sensor](#).

This section describes how to remove and replace the IDE hard-disk drive. It contains the following topics:

- [Removing the Hard-Disk Drive, page 3-15](#)
- [Replacing the Hard-Disk Drive, page 3-16](#)

Removing the Hard-Disk Drive

To remove the hard-disk drive from IDS-4215, follow these steps:

- Step 1** Log in to the CLI.
Step 2 Prepare IDS-4215 to be powered off:

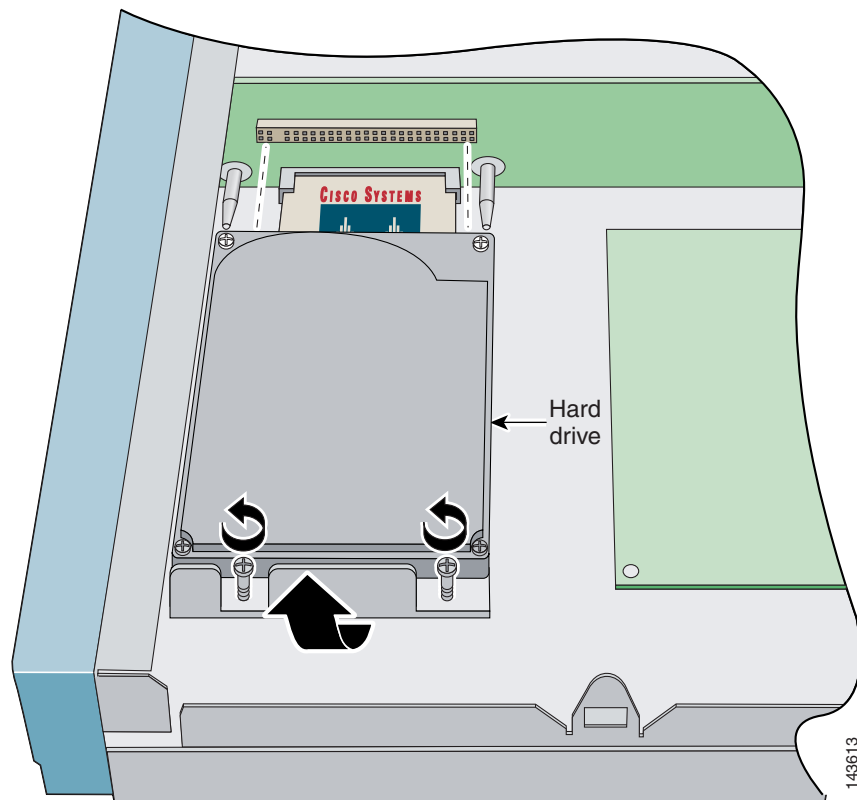
```
sensor# reset powerdown
```

Wait for the power down message before continuing with Step 3.



Note You can also power down IDS-4215 using IDM.

- Step 3** Power off IDS-4215.
Step 4 Remove the power cord and other cables from IDS-4215.
Step 5 Place IDS-4215 in an ESD-controlled environment.
For more information, see [Working in an ESD Environment, page 1-25](#).
Step 6 Remove the chassis cover.
For the procedure, see [Removing the Chassis Cover, page 3-11](#).
Step 7 Loosen the two captive screws from the hard-disk drive carrier.

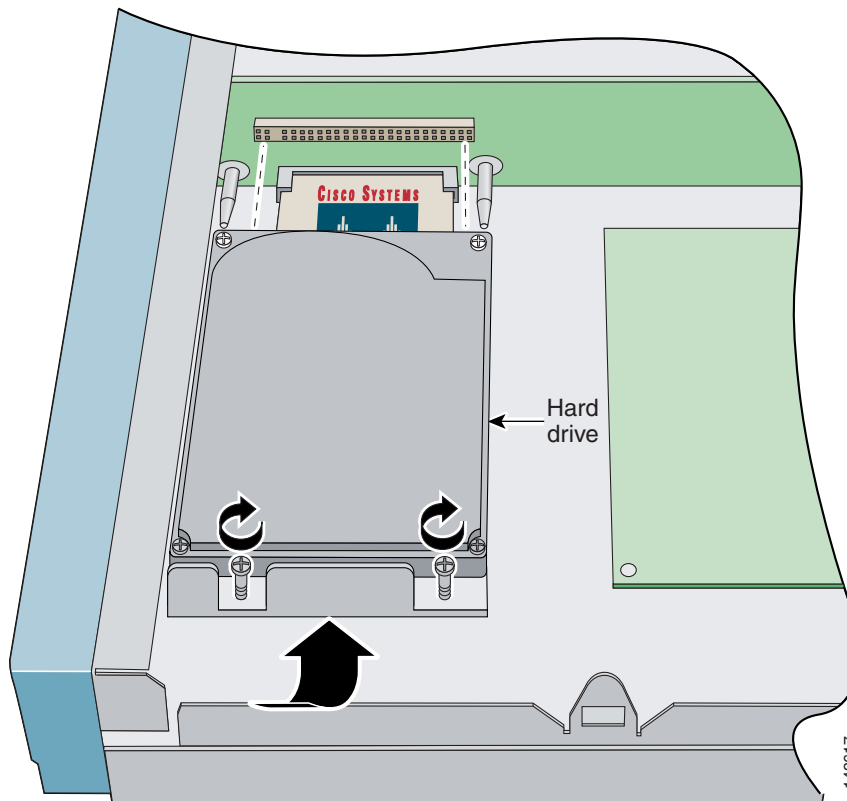


- Step 8** Grasp the hard-disk drive and pull straight backwards until it is free of the riser card connector. Do not lift or wiggle the hard-disk drive side to side until it is completely free of the connector.

Replacing the Hard-Disk Drive

To replace the hard-disk drive in IDS-4215, follow these steps:

- Step 1** Place IDS-4215 in an ESD-controlled environment.
For more information, see [Working in an ESD Environment, page 1-25](#).
- Step 2** Align the hard-disk drive connector with the two guide pins on the riser card.



- Step 3** Push the hard-disk drive straight into the riser card connector. Do not lift or wiggle the hard-disk drive side to side. Push carefully until the hard-disk drive is seated.
- Step 4** Tighten the two captive screws.
- Step 5** Replace the chassis cover.
For the procedure, see [Replacing the Chassis Cover, page 3-13](#).

Removing and Replacing the Compact Flash Device

**Warning**

Only trained and qualified personnel should be allowed to install, replace, or service this equipment. Statement 1030

**Caution**

Follow proper safety procedures when removing and replacing the compact flash by reading the safety warnings in *Regulatory Compliance and Safety Information for the Cisco Intrusion Prevention System 4200 Series Appliance Sensor*.

This section describes how to remove and replace the compact flash device in IDS-4215, and contains the following topics:

- [Removing the Compact Flash Device, page 3-17](#)
- [Replacing the Compact Flash Device, page 3-18](#)

Removing the Compact Flash Device

To remove the compact flash device from IDS-4215, follow these steps:

Step 1 Log in to the CLI.

Step 2 Prepare IDS-4215 to be powered off:

```
sensor# reset powerdown
```

Wait for the power down message before continuing with Step 3.



Note You can also power down IDS-4215 using IDM.

Step 3 Power off IDS-4215.

Step 4 Remove the power cord and other cables from IDS-4215.

Step 5 Place IDS-4215 in an ESD-controlled environment.

For more information, see [Working in an ESD Environment, page 1-25](#).

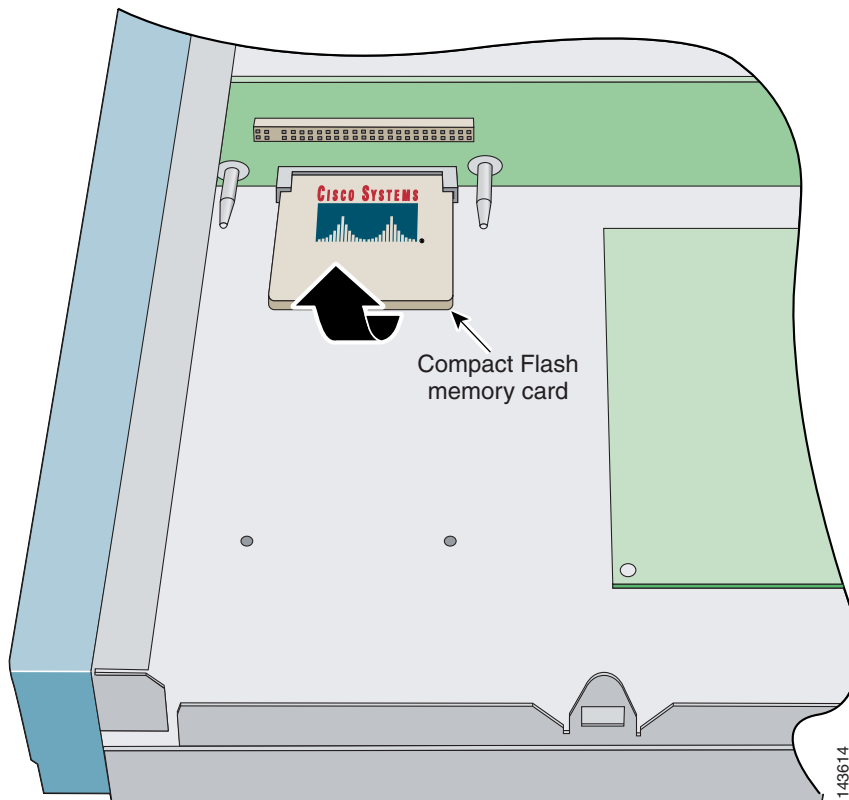
Step 6 Remove the chassis cover.

For the procedure, see [Removing the Chassis Cover, page 3-11](#).

Step 7 Remove the hard-disk drive.

For the procedure, see [Removing the Hard-Disk Drive, page 3-15](#).

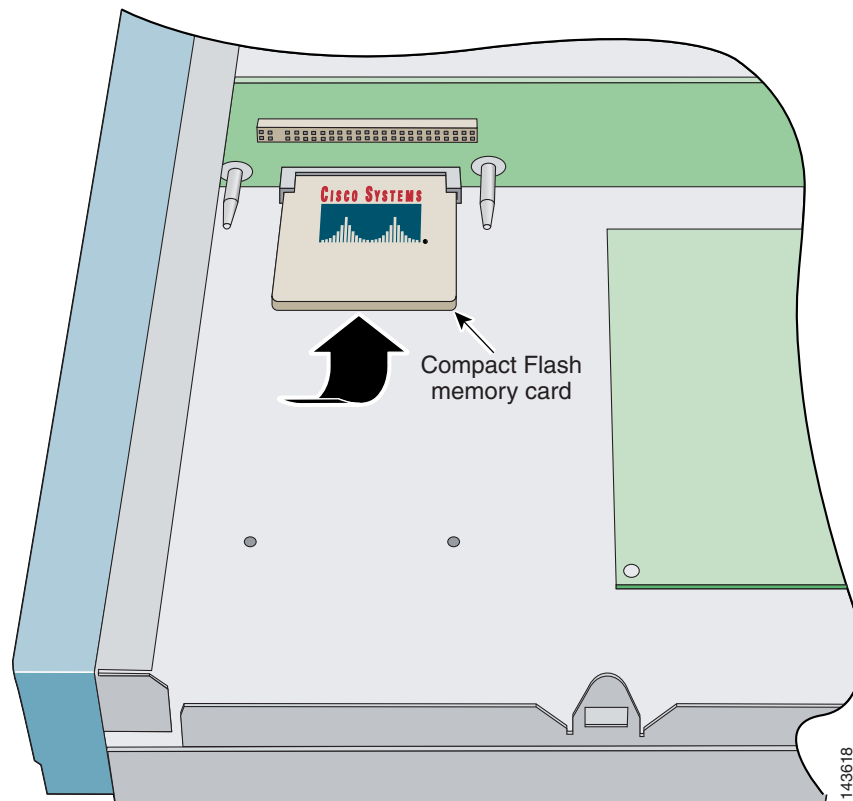
Step 8 Grasp the compact flash device and carefully remove it from the connector on the riser card.



Replacing the Compact Flash Device

To replace the compact flash device in IDS-4215, follow these steps:

-
- Step 1** Place IDS-4215 in an ESD-controlled environment.
For more information, see [Working in an ESD Environment, page 1-25](#).
- Step 2** Align the compact flash device with the connector on the riser card.



- Step 3** Press until the compact flash device is fully seated in the connector.
- Step 4** Replace the hard-disk drive.
For the procedure, see [Replacing the Hard-Disk Drive, page 3-16](#).
- Step 5** Replace the chassis cover.
For the procedure, see [Replacing the Chassis Cover, page 3-13](#).

Removing and Installing the 4FE Card



Warning

Only trained and qualified personnel should be allowed to install, replace, or service this equipment. Statement 1030



Caution

Follow proper safety procedures when installing and removing the 4FE card by reading the safety warnings in [Regulatory Compliance and Safety Information for the Cisco Intrusion Prevention System 4200 Series Appliance Sensor](#).

You can order IDS-4215 with the 4FE card already installed or you can upgrade IDS-4215 with the 4FE card to have four additional interfaces.

This section contains the following topics:

- [Removing the 4FE Card, page 3-20](#)
- [Installing the 4FE Card, page 3-22](#)

Removing the 4FE Card

To remove the 4FE card, follow these steps:

Step 1 Log in to the CLI.

Step 2 Prepare IDS-4215 to be powered off:

```
sensor# reset powerdown
```

Wait for the power down message before continuing with Step 3.



Note You can also power down IDS-4215 using IDM.

Step 3 Power off IDS-4215.

Step 4 Remove the power cord and other cables from IDS-4215.

Step 5 Place IDS-4215 in an ESD-controlled environment.

For more information, see [Working in an ESD Environment, page 1-25](#).

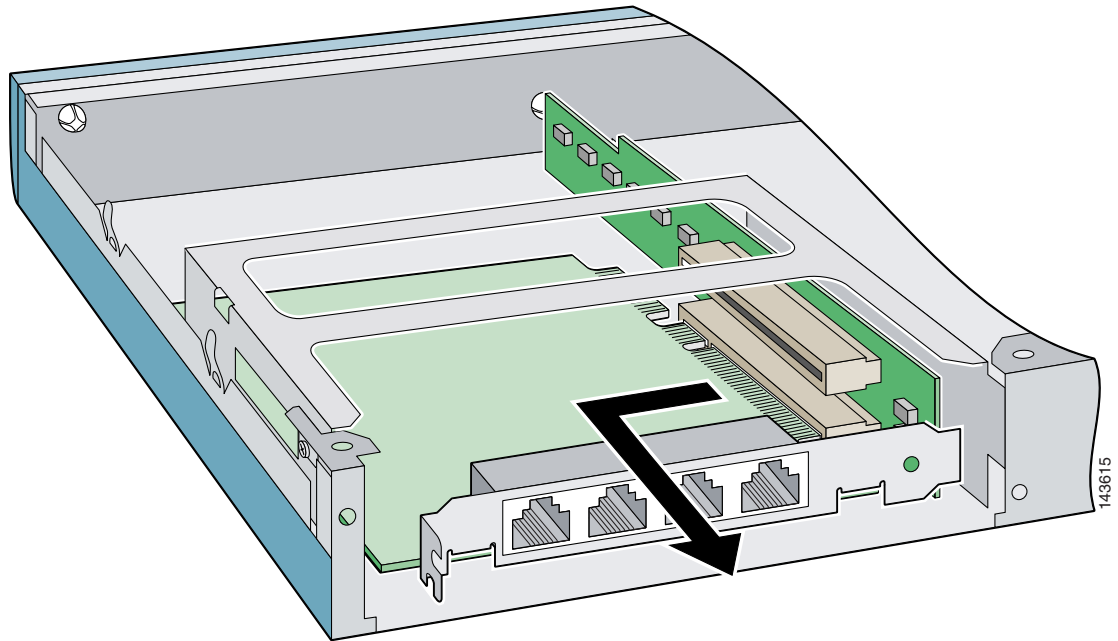
Step 6 Remove the chassis cover.

For the procedure, see [Removing the Chassis Cover, page 3-11](#).

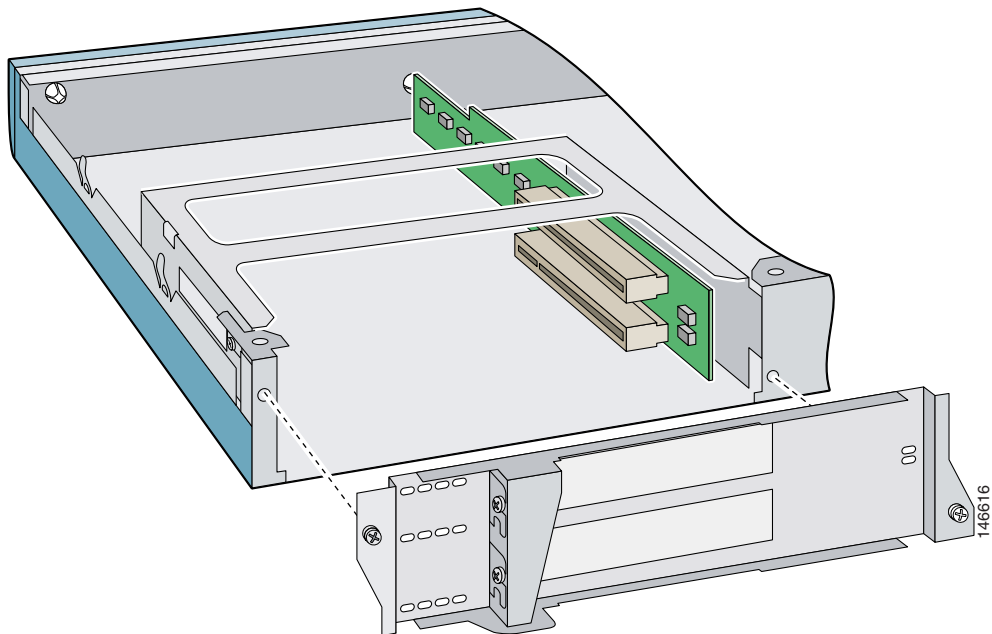
Step 7 Loosen the single captive screw that holds the 4FE card's connecting flange to the back cover plate.

Step 8 Loosen the two captive screws from the back cover on the left and put the back cover aside.

- Step 9** Grasp the 4FE card and pull it out of the slot and through the cage opening.



- Step 10** Replace the lower slot cover from the back cover plate.
- Step 11** Replace the back cover plate and tighten the two captive screws.



- Step 12** Replace the chassis cover.
For the procedure, see [Replacing the Chassis Cover, page 3-13](#).

Installing the 4FE Card

We recommend that you install the 4FE card in the bottom slot. We do not support installation of the 4FE card in the top slot.



Note Only one 4FE card is supported on IDS-4215.

To install a 4FE card in IDS-4215, follow these steps:

Step 1 Prepare IDS-4215 to be powered off:

```
sensor# reset powerdown
```

Wait for the power down message before continuing with Step 2.

Step 2 Power off IDS-4215.

Step 3 Remove the power cord and other cables from IDS-4215.

Step 4 Place IDS-4215 in an ESD-controlled environment.

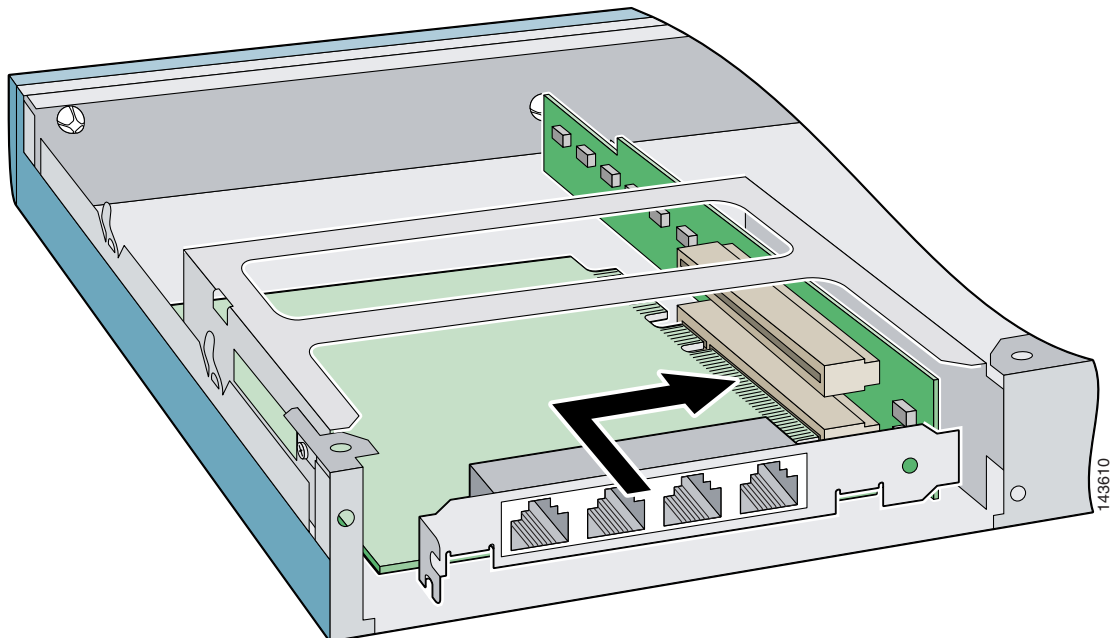
For more information, see [Working in an ESD Environment, page 1-25](#).

Step 5 Remove the chassis cover.

For the procedure, see [Removing the Chassis Cover, page 3-11](#).

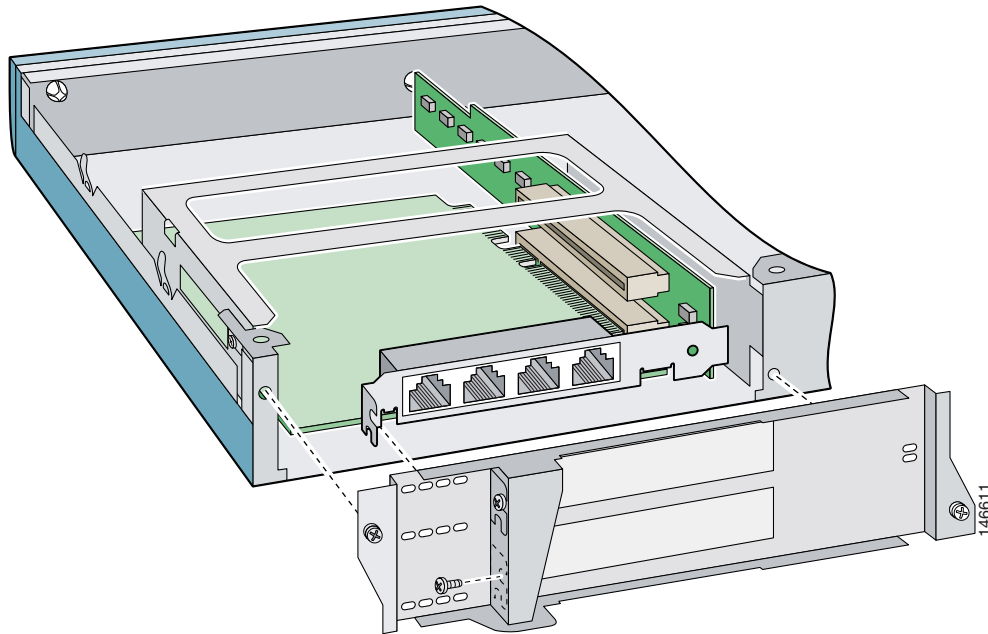
Step 6 Loosen the two captive screws from the back cover plate on the left and put the back cover plate aside.

Step 7 Insert the 4FE card through the cage opening and into the lower slot.



Note When you insert a 4FE card in the slot, the end of the card's connector extends past the end of the slot. This does not affect the use or operation of the card.

- Step 8** Remove the lower slot cover from the back cover plate.
- Step 9** Attach the back cover plate making sure that the connecting flange on the 4FE card goes through the slot on the back cover plate.



- Step 10** Tighten the single captive screw to hold the 4FE card's connecting flange to the back cover plate, and tighten the captive screws to attach the back cover plate to the appliance.
- Step 11** Replace the chassis cover.

For the procedure, see [Replacing the Chassis Cover, page 3-13](#).

You will need to assign the new interfaces (FastEthernet1/0, FastEthernet1/1, FastEthernet1/2, and FastEthernet1/3). For the CLI procedure, refer to [Configuring Interfaces](#). For the IDM procedure, refer to [Configuring Interfaces](#).

