



# Installing the Cable Management Bracket on the Cisco ONS 15310-MA

---

**Product Name:** 15310-CBLMGT (extended bracket); 15310-MA-SHIPKIT (standard bracket)

This document explains how to install the cable management bracket on the Cisco ONS 15310-MA. As appropriate, use this document in conjunction with the *Cisco ONS 15310-CL and Cisco ONS 15310-MA Procedure Guide*, the *Cisco ONS 15310-CL and Cisco ONS 15310-MA Reference Manual*, and the *Cisco ONS 15310-CL and Cisco ONS 15310-MA Troubleshooting Guide* when working with the cable management brackets.

This document contains the following sections:

- [Cable Management Bracket Description, page 1](#)
- [Install the Standard Cable Management Bracket, page 4](#)
- [Related Documentation, page 4](#)
- [Obtaining Documentation and Submitting a Service Request, page 4](#)

## Cable Management Bracket Description

Two types of cable management brackets are available for the ONS 15310-MA shelf assembly: the standard bracket, which ships with the ONS 15310-MA ship kit, and the extended bracket, which ships as a separate orderable part. You can install either bracket under the shelf assembly.

[Figure 1](#) shows the installation of the standard cable management bracket.



Figure 1 Installing the Standard Cable Management Bracket

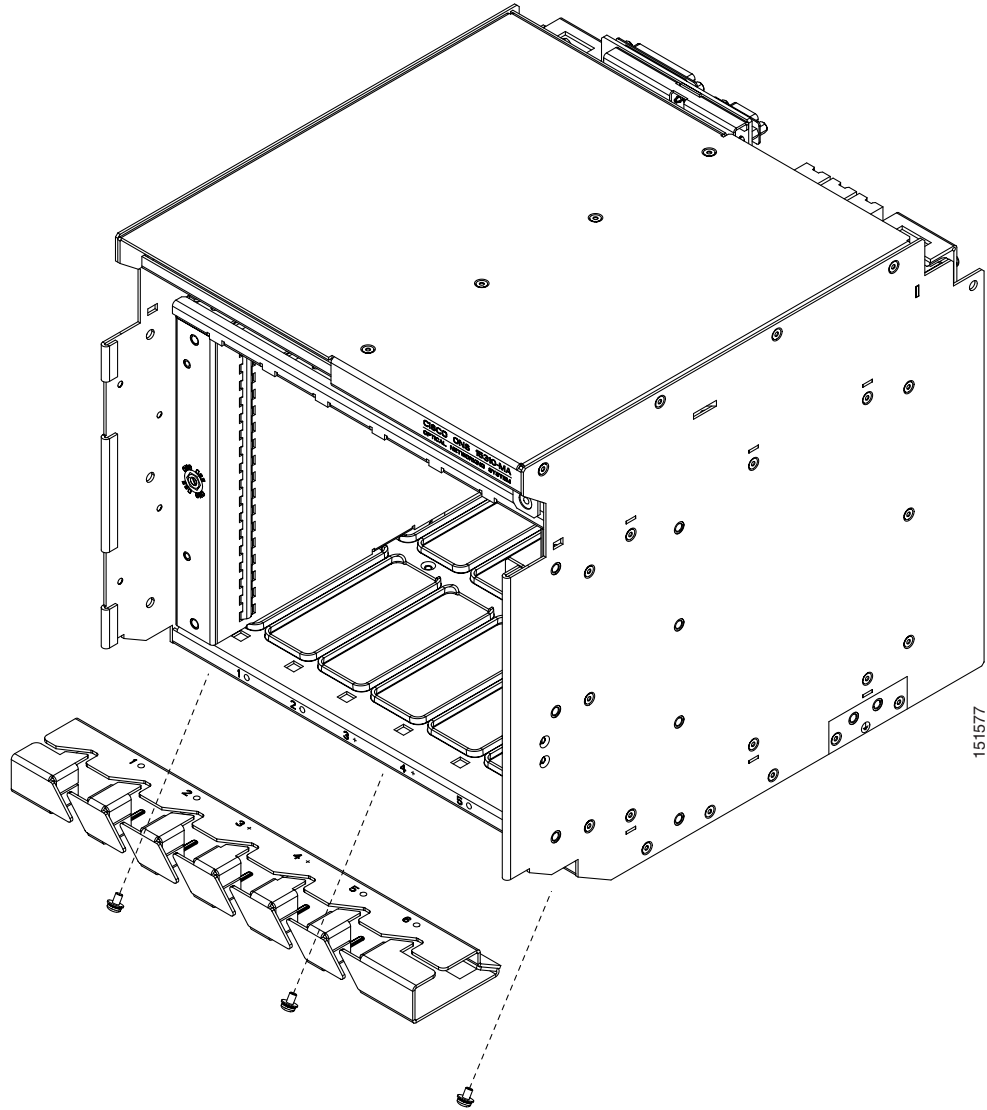
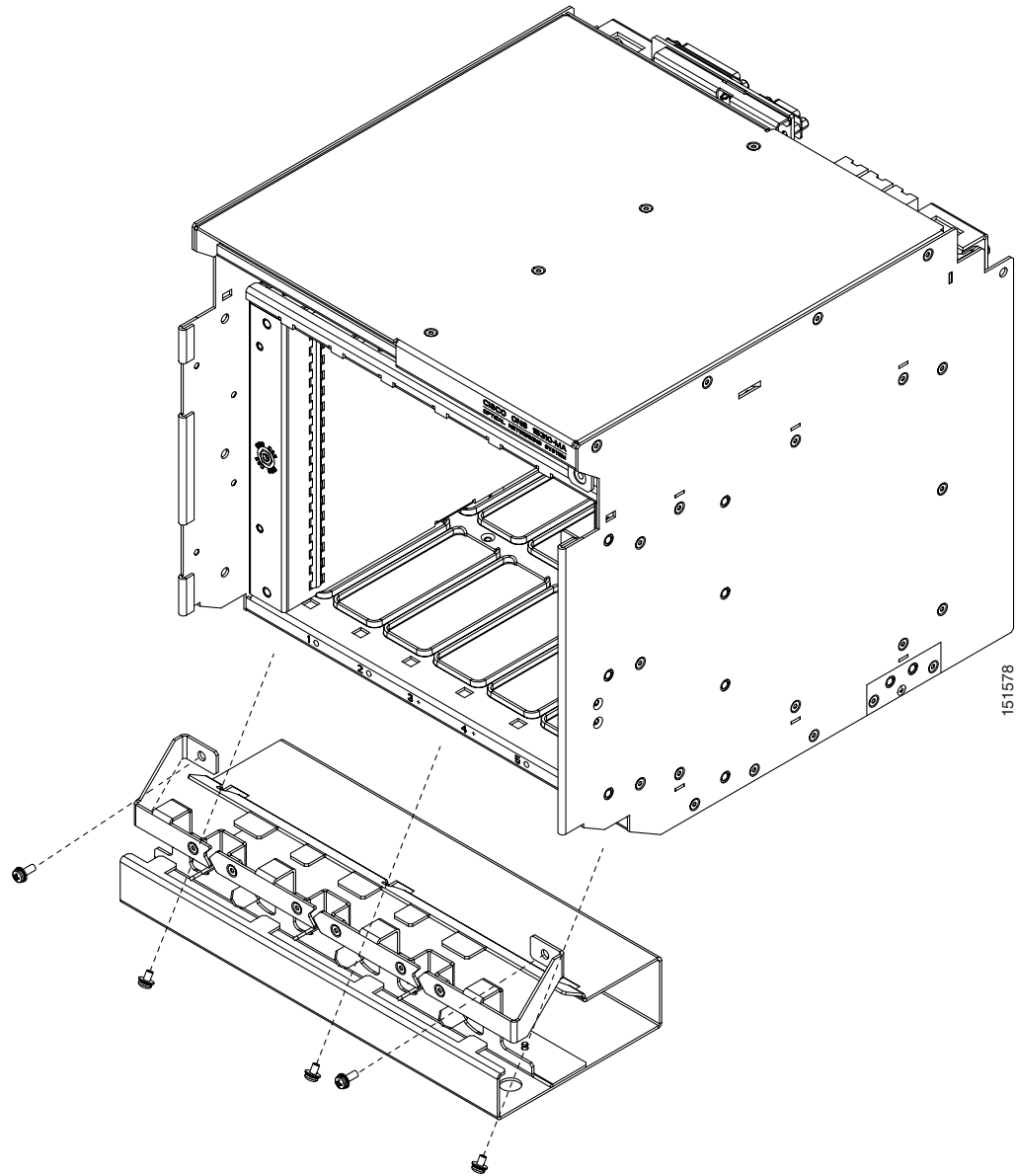


Figure 2 shows the installation of the extended cable management bracket.

**Figure 2** *Installing the Extended Cable Management Bracket*



## Cable Routing Using the Cable Management Bracket

The standard cable management bracket has one area in the rear that can be used for routing cables. Fiber-optic cable can be routed through the rear trough of the bracket. Ethernet cables can be passed through the front of the bracket to be bundled and secured using tie-wraps or other site-specific materials.

The extended cable management bracket has two areas that can be used for routing cables, one in the front and one in the rear. Fiber-optic cables can be routed through the smaller front trough, and Ethernet cables can be routed through the larger rear trough.

## Install the Standard Cable Management Bracket

The following parts are needed to install the standard cable management bracket.

- #2 Phillips screwdriver
- Standard bracket (as part of 15310-MA-SHIPKIT)
- 8-32 x 0.31 inch (0.79 cm) screws (3) (as part of 15310-MA-SHIPKIT)

The following parts are needed to install the extended cable management bracket.

- #2 Phillips screwdriver
- 15310-CBLMGT
  - Extended bracket
  - 8-32 x 0.31 inch (0.79 cm) screws (5)

- 
- Step 1** Line up the three screw holes on the rear of the bracket with the screw holes at the bottom of the ONS 15310-MA shelf assembly.
- Step 2** Use the screwdriver to install three 8-32 x 0.31 inch (0.79 cm) screws, torqued to 15 to 18 inch-lbs., to secure the bracket to the shelf.
- Step 3** If you are installing the extended bracket, install two 8-32 x 0.31 inch (0.79 cm) screws, torqued to 15 to 18 inch-lbs, through the top of the bracket directly into the ESD faceplates adjacent to Slots 1 and 6 on either side of shelf.
- 

## Related Documentation

- *Cisco ONS 15310-CL and Cisco ONS 15310-MA Procedure Guide*
- *Cisco ONS 15310-CL and Cisco ONS 15310-MA Reference Manual*
- *Cisco ONS 15310-CL and Cisco ONS 15310-MA Troubleshooting Guide*

## Obtaining Documentation and Submitting a Service Request

For information on obtaining documentation, submitting a service request, and gathering additional information, see the monthly *What's New in Cisco Product Documentation*, which also lists all new and revised Cisco technical documentation, at:

<http://www.cisco.com/en/US/docs/general/whatsnew/whatsnew.html>

Subscribe to the *What's New in Cisco Product Documentation* as an RSS feed and set content to be delivered directly to your desktop using a reader application. The RSS feeds are a free service. Cisco currently supports RSS Version 2.0.


---

This document is to be used in conjunction with the documents listed in the “Related Documentation” section.

Cisco and the Cisco Logo are trademarks of Cisco Systems, Inc. and/or its affiliates in the U.S. and other countries. A listing of Cisco's trademarks can be found at [www.cisco.com/go/trademarks](http://www.cisco.com/go/trademarks). Third party trademarks mentioned are the property of their respective owners. The use of the word partner does not imply a partnership relationship between Cisco and any other company. (1005R)

Any Internet Protocol (IP) addresses and phone numbers used in this document are not intended to be actual addresses and phone numbers. Any examples, command display output, network topology diagrams, and other figures included in the document are shown for illustrative purposes only. Any use of actual IP addresses or phone numbers in illustrative content is unintentional and coincidental.

© 2011 Cisco Systems, Inc. All rights reserved.

 Printed in the USA on recycled paper containing 10% postconsumer waste.

