

DLUR/DLUS Configuration Relationships

This scenario illustrates the basic Dependent Logical Unit Requestor/Dependent Logical Unit Server (DLUR/DLUS) configuration of the router and relates the router configuration to the OS/390 Input/Output Configuration Program (IOCP) generation commands and the XCA Major Node and Switched Major Node definitions in Virtual Telecommunications Access Method (VTAM). Figure 1 and Figure 2 show the network setup for DLUR/DLUS test. Figure 3 details the relationship between configuration parameters. In this scenario, the Channel Interface Processor (CIP) is connected to the host via an ESCON Director and the routers are connected by Token Ring. This document assumes knowledge of the command structure but not the parameter relationships.

Figure 1 DLUR/DLUS Network Scenario

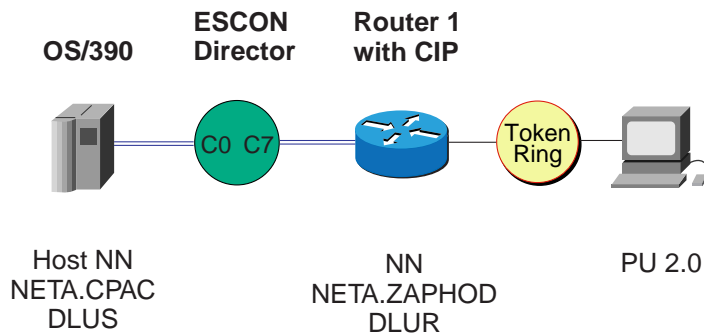


Figure 2 Logical View of DLUR/DLUS Network

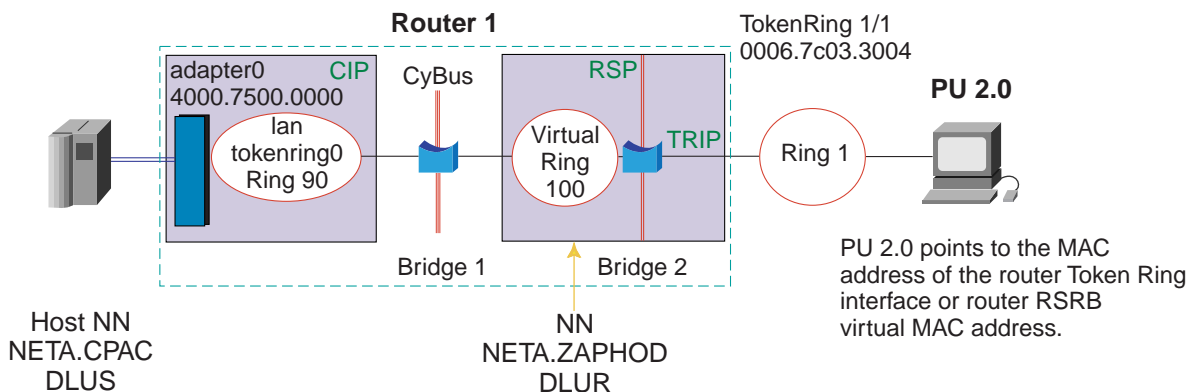
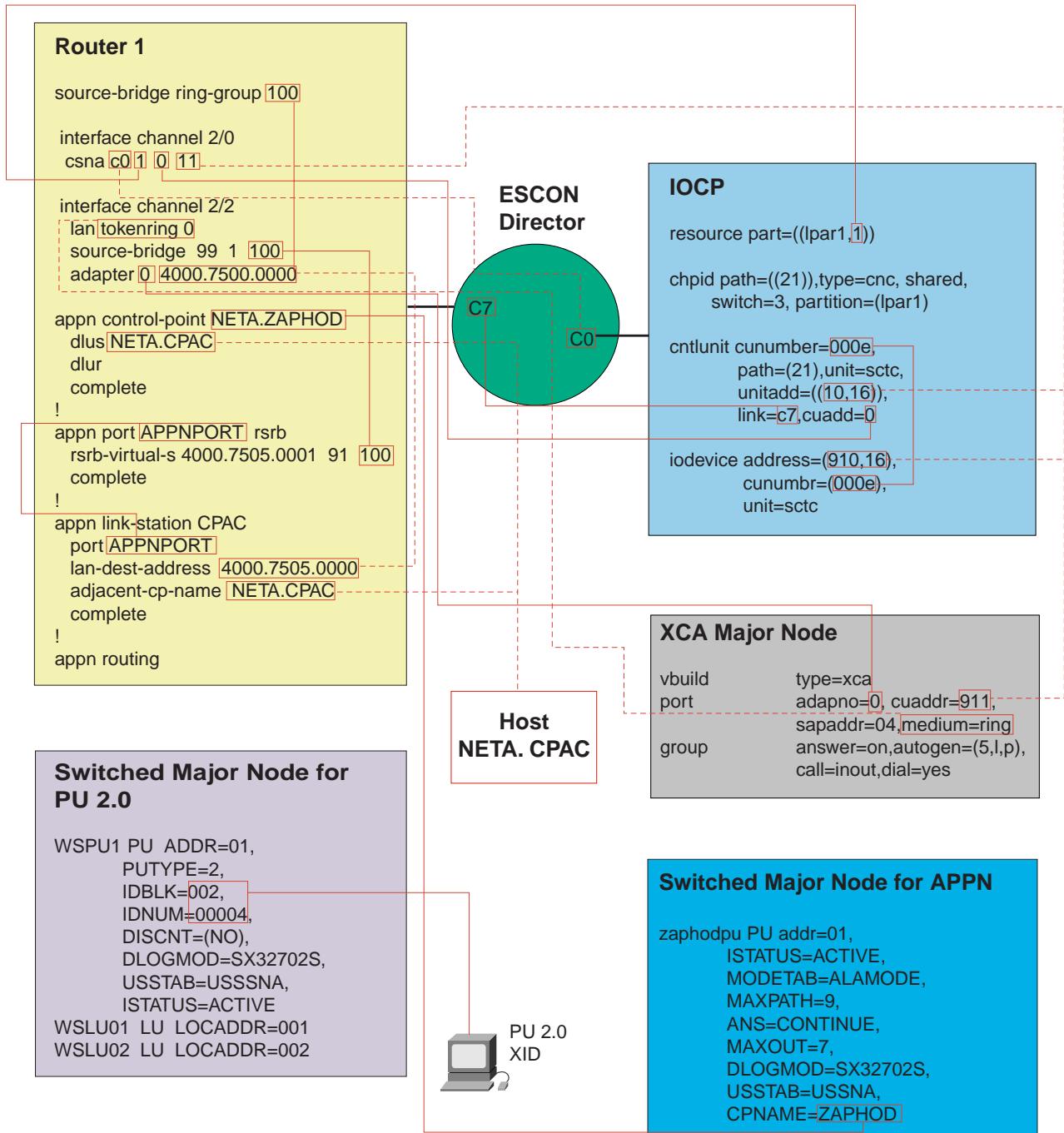


Figure 3 DLUR/DLUS Parameter Relationships





Corporate Headquarters
Cisco Systems, Inc.
170 West Tasman Drive
San Jose, CA 95134-1706
USA
<http://www.cisco.com>
Tel: 408 526-4000
800 553-NETS (6387)
Fax: 408 526-4100

European Headquarters
Cisco Systems Europe
11, Rue Camille Desmoulins
92782 Issy Les Moulineaux
Cedex 9
France
<http://www-europe.cisco.com>
Tel: 33 1 58 04 60 00
Fax: 33 1 58 04 61 00

Americas
Headquarters
Cisco Systems, Inc.
170 West Tasman Drive
San Jose, CA 95134-1706
USA
<http://www.cisco.com>
Tel: 408 526-7660
Fax: 408 527-0883

Asia Headquarters
Nihon Cisco Systems K.K.
Fuji Building, 9th Floor
3-2-3 Marunouchi
Chiyoda-ku, Tokyo 100
Japan
<http://www.cisco.com>
Tel: 81 3 5219 6250
Fax: 81 3 5219 6001

Cisco Systems has more than 200 offices in the following countries. Addresses, phone numbers, and fax numbers are listed on the

Cisco Connection Online Web site at <http://www.cisco.com/go/offices>.

Argentina • Australia • Austria • Belgium • Brazil • Canada • Chile • China • Colombia • Costa Rica • Croatia • Czech Republic • Denmark • Dubai, UAE
Finland • France • Germany • Greece • Hong Kong • Hungary • India • Indonesia • Ireland • Israel • Italy • Japan • Korea • Luxembourg • Malaysia
Mexico • The Netherlands • New Zealand • Norway • Peru • Philippines • Poland • Portugal • Puerto Rico • Romania • Russia • Saudi Arabia • Singapore
Slovakia • Slovenia • South Africa • Spain • Sweden • Switzerland • Taiwan • Thailand • Turkey • Ukraine • United Kingdom • United States • Venezuela

Copyright © 2000, Cisco Systems, Inc. All rights reserved. Printed in the USA. Cisco, Cisco Systems, and the Cisco Systems logo are registered trademarks of Cisco Systems, Inc. or its affiliates in the U.S. and certain other countries. All other trademarks mentioned in this document are the property of their respective owners. The use of the word partner does not imply a partnership relationship between Cisco and any of its resellers. (9912R)

SPS 4/00