



## Installation

---

The Cisco 4400 Series Wireless LAN Controller referred to as the *controller* hereafter can be powered using one or two power supply units. When the controller is equipped with two power supply units, the power supplies are redundant and either power supply unit can continue to power the controller should the other power supply fail.

One power supply is installed by default in slot 2 at the factory. For redundancy, a second power supply can be ordered from the factory and may be installed in slot 1. The power supply fits in either slot and can be used to replace a failed power supply in the field. The power supplies are hot swappable.

## Collecting Required Tools and Supplies

To install the power supply unit, you need the following:

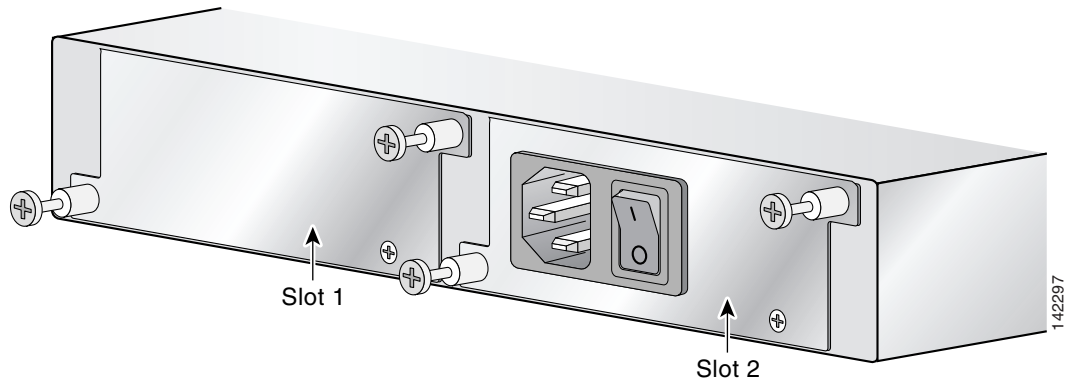
- One or two power supply per controller.
- For each removal, one power supply slot cover.
- Number 1 Phillips screwdriver.

## Installing the Cisco 4400 Series Power Supply

To install a hot-swappable power supply into the back panel of the controller, perform these steps:

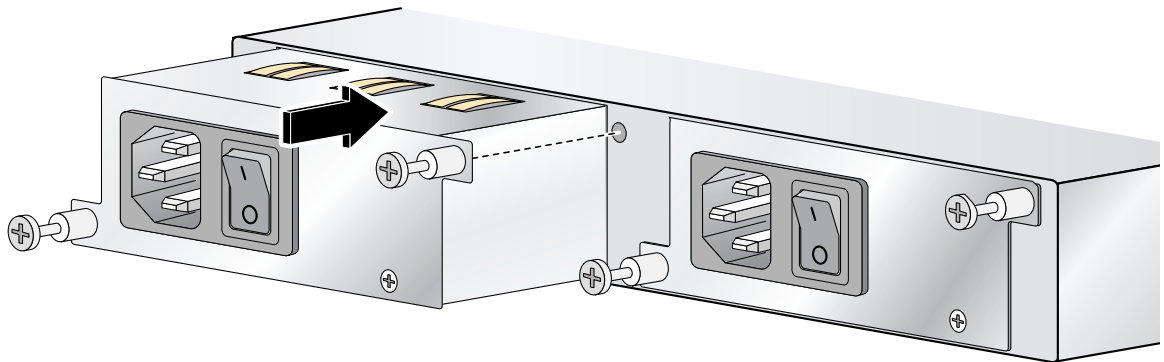
- 
- Step 1** Find the slot for the power supply on the back panel of the controller. The slot 1 power supply is in the slot furthest to the left, and the slot 2 power supply mounts in the first slot from the right on the back of the Controller.

**Figure 1** *Controller Slots*



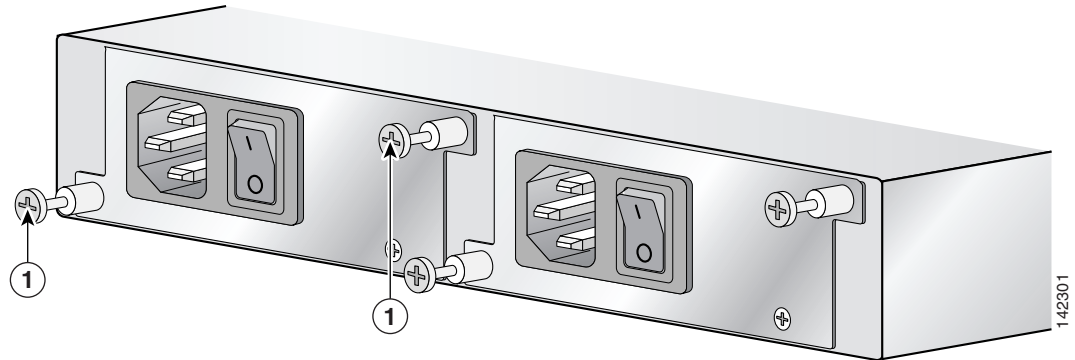
- Step 2** Using the Phillips screwdriver, remove the cover from the desired power supply slot by unscrewing the captive screws and removing it. Store the power supply slot cover for later use.
- Step 3** Insert the power supply into the slot. Make sure that the power supply input receptacle is on the left side of the slot as shown in [Figure 2](#).

**Figure 2** *Inserting the Power Supply*



- Step 4** Gently but firmly press the power supply into the slot until it is firmly seated in the card electrical connector. Use the provided captive screws to secure the power supply to the Cisco Wireless LAN Controller.

**Figure 3** Power Supply Inserted in the Slot



**Step 5** Plug one end of a power cord into the power supply and the other end into a grounded 95 to 260 VAC 50/60 Hz electrical outlet.

**Step 6** Toggle the associated power switch to the 1 (ON) position.

You have installed the power supply in the Cisco 4400 Series Wireless LAN Controller.

## Removing the Cisco 4400 Series Power Supply

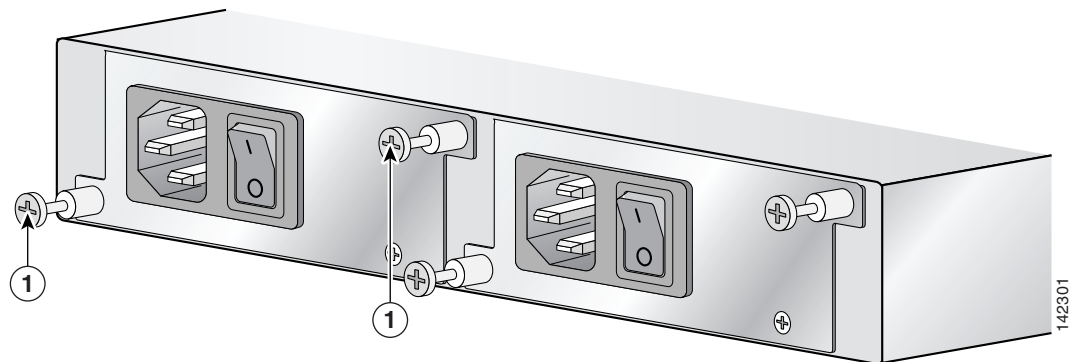
To remove a hot-swappable power supply from the back panel of a Cisco 4400 Series Wireless LAN Controller, perform these steps:

**Step 1** Toggle the power switch on the power supply you intend to remove to the 0 (OFF) position.

**Step 2** Remove the power cord from the power supply.

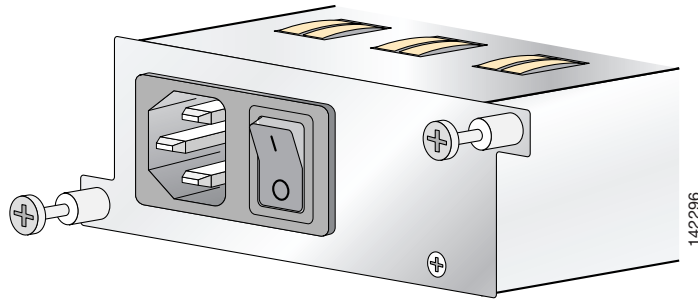
**Step 3** Use the Phillips screwdriver to loosen the captive screws that secure the power supply to the back panel of the Cisco Wireless LAN Controller.

**Figure 4** Removing the Screws



**Step 4** Pull the power supply out of the Cisco Wireless LAN Controller.

**Figure 5** Power Supply Removed from the Slot



**Step 5** Using the Phillips screwdriver, secure the power supply slot cover to the back panel of the Cisco Wireless LAN Controller.

You have removed the power supply from the Cisco Wireless LAN Controller.

---