

Hookflash Transfer in MGCP

Document ID: 40300

Introduction

Prerequisites

- Requirements
- Components Used
- Conventions

Configure

- Network Diagram
- Configuration of VG200

Verify

Troubleshoot

- Troubleshooting Commands

NetPro Discussion Forums – Featured Conversations

Related Information

Introduction

When you integrate Voice over IP (VoIP) technologies to legacy private branch exchange (PBX) and Public Switched Telephone Networks (PSTNs), there is sometimes a need to pass a type of signaling known as hookflash. A hookflash is a brief interruption in the loop current on loopstart trunks that the attached system does not interpret as a call disconnect.

This document focuses on how to troubleshoot hookflash transfer on the analog gateway with Cisco CallManager and the Media Gateway Control Protocol (MGCP) signaling protocol. The Cisco VG200 platform is used for the voice gateway running MGCP protocol, and Cisco CallManager Version 3.2(2)c is used as the call agent (CA) for MGCP protocol. The Cisco CallManager interpretation of the hookflash is to invoke supplementary features for call transfer. This is enabled by default on Cisco CallManager. The interpretation of the hookflash cannot be changed to represent other features like conference or three-way call.

Prerequisites

Requirements

Before you attempt this configuration, make sure that you meet these requirements:

- Be able to configure a voice gateway to communicate with Cisco CallManager that uses the MGCP protocol. For more information, refer to the document [Configuring Cisco CallManager 3.x with IOS MGCP Gateways \(Analog FXO, FXS Ports\)](#).
- Have a basic knowledge of hookflash and hookflash usage
- Have the ability to enable capturing traces on Cisco CallManager for debugs capture. For the procedure, refer to the document [Using Cisco CallManager Trace Gathering Tool for Diagnostic Traces](#).

Components Used

The information in this document is based on these software and hardware versions:

- VG200 with NM-2V two voice and fax interface card slot network module and VIC-2FXS two-port Foreign Exchange Station (FXS) voice interface card (VIC) running Cisco IOS® Software Release vg200-i6s-mz.122-12a.bin
- Cisco CallManager Version 3.2(2)c with IP phone load P00303020204
- Two analog phones connected to the VG200
- Two IP phones registered to Cisco CallManager on the LAN

The information in this document was created from the devices in a specific lab environment. All of the devices used in this document started with a cleared (default) configuration. If your network is live, make sure that you understand the potential impact of any command.

Conventions

For more information on document conventions, refer to Cisco Technical Tips Conventions.

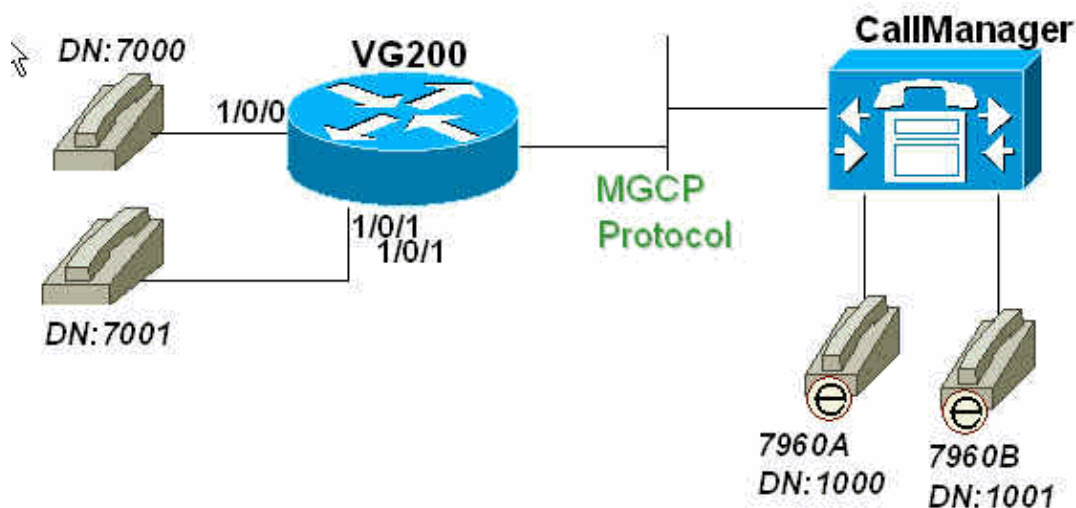
Configure

In this section, you are presented with the information to configure the features described in this document.

Note: To find additional information on the commands used in this document, use the Command Lookup Tool (registered customers only).

Network Diagram

This document uses this network setup:



Configuration of VG200

The VG200 router points to Cisco CallManager (171.69.85.107) as its CA. The MGCP protocol intelligence lies within the CA, in this case, the Cisco CallManager. The dial-plan configuration for the analog phones connected to the FXS ports of the VG200 are also configured entirely on the CA.

VG200 Gateway

```
VG200-2# show run
Building configuration...

Current configuration : 869 bytes
!
version 12.2
no service pad
service timestamps debug datetime msec
service timestamps log datetime msec
no service password-encryption
!
hostname VG200-2
!
logging buffered 1000000 debugging
enable secret 5 $1$hDbz$wuPYPrmvFLIP6gMjuTG4e0
!
ip subnet-zero
no ip domain-lookup
!
mgcp
mgcp call-agent 171.69.85.107
mgcp dtmf-relay codec all mode out-of-band
call rsvp-sync
!
!
ccm-manager mgcp
!
!
interface FastEthernet0/0
 ip address 172.16.13.169 255.255.255.224
 duplex auto
 speed auto
!
ip classless
ip route 0.0.0.0 0.0.0.0 172.16.13.161
no ip http server
!
!
voice-port 1/0/0
!
voice-port 1/0/1
!
dial-peer voice 101 pots
 application mgcpapp
 port 1/0/1
!
dial-peer voice 100 pots
 application mgcpapp
 port 1/0/0
!
!
line con 0
line aux 0
line vty 0 4
 password ww
 login
!
ntp clock-period 17180017
ntp server 172.13.16.80
ntp server 172.16.13.80
end
```

Verify

This section provides information you can use to confirm your configuration functions properly.

Note: The commands in this section are issued to verify the status of the MGCP ports, the status of CA with respect to VG200, as well as the analog port status on the VG200.

Certain **show** commands are supported by the Output Interpreter Tool (registered customers only) , which allows you to view an analysis of **show** command output.

- **show mgcp** Issue to display values for MGCP parameters.
- **show ccm-manager** Issue to display a list of Cisco CallManager servers as well as current status and availability.
- **show mgcp endpoint** Issue to display information for endpoints controlled by MGCP.
- **show mgcp statistics** Issue to display MGCP statistics regarding received and transmitted network messages.
- **show voice port [summary]** Issue to display configuration information about a specific voice port.

```
VG200-2# show mgcp
MGCP Admin State ACTIVE, Oper State ACTIVE - Cause Code NONE

!--- Be sure that both states are "ACTIVE".

MGCP call-agent: 171.69.85.107 Initial protocol service is MGCP
MGCP block-newcalls DISABLED
MGCP dtmf-relay codec all mode out-of-band
MGCP modem passthrough: CA
MGCP request timeout 500, MGCP request retries 3
MGCP gateway port: 2427, MGCP maximum waiting delay 3000
MGCP restart delay 0, MGCP vad DISABLED
MGCP simple-sdp DISABLED
MGCP undotted-notation DISABLED
MGCP codec type g711ulaw, MGCP packetization period 20
MGCP JB threshold lwm 30, MGCP JB threshold hwm 150
MGCP LAT threshold lwm 150, MGCP LAT threshold hwm 300
MGCP PL threshold lwm 1000, MGCP PL threshold hwm 10000
MGCP playout mode is adaptive 60, 4, 200 in msec
MGCP IP ToS low delay disabled, MGCP IP ToS high throughput disabled
MGCP IP ToS high reliability disabled, MGCP IP ToS low cost disabled
MGCP IP precedence 5, MGCP default package: line-package
MGCP supported packages: gm-package dtmf-package trunk-package line-package
hs-package
```

```
VG200-2# show ccm-manager
MGCP Domain Name: VG200-2
```

*!--- Be sure that Cisco CallManager MGCP domain name field matches what
!--- you see here.*

```
Total number of host: 1
Priority      Status                               Host
=====
Primary      Registered                             171.69.85.107
```

*!--- The gateway shows registration with Cisco CallManager
!--- (171.699.85.107).*

```
First backup  Undefined
Second backup Undefined
```

```
Current active Call Manager: 171.69.85.107
Current backup Call Manager: None
```

```

Redundant link port:          2428
Failover Interval:           30 seconds
Keepalive Interval:          15 seconds
Last keepalive sent:         3d03h (elapsed time: 00:00:04)
Last MGCP traffic time:     3d03h (elapsed time: 00:00:04)
Last switchover time:        None
Switchback mode:             Not selected (Default:Graceful)

```

```

VG200-2# show mgcp endpoint
voice-port 1/0/0
voice-port 1/0/1

```

```

VG200-2# show mgcp statistics
UDP pkts rx 18856, tx 18984
Unrecognized rx pkts 0, MGCP message parsing errors 0
Duplicate MGCP ack tx 0, Invalid versions count 0
CreateConn rx 55, successful 55, failed 0
DeleteConn rx 56, successful 55, failed 1
ModifyConn rx 214, successful 214, failed 0
DeleteConn tx 1, successful 1, failed 0
NotifyRequest rx 164, successful 164, failed 0
AuditConnection rx 0, successful 0, failed 0
AuditEndpoint rx 43, successful 43, failed 0
RestartInProgress tx 55, successful 55, failed 0
Notify tx 18282, successful 18282, failed 0
ACK tx 439, NACK tx 1
ACK rx 18357, NACK rx 16

```

```

IP address based Call Agents statistics:
IP address 171.69.85.107, Total msg rx 11814,
                        successful 11808, failed 4
IP address 172.16.13.152, Total msg rx 7042,
                        successful 6948, failed 13

```

```

VG200-2# show voice port summary

```

PORT	CH	SIG-TYPE	ADMIN	OPER	IN STATUS	OUT STATUS	EC
1/0/0	--	fxs-ls	up	dorm	on-hook	idle	y
1/0/1	--	fxs-ls	up	dorm	on-hook	idle	y

```

VG200-2#

```

Troubleshoot

This section provides information you can use to troubleshoot your configuration.

Troubleshooting Commands

Debugs from Successful Calls

This section shows successful, functional debug captures for a hookflash transfer performed by the phone off the FXS voice port.

The basic call flow is as follows:

1. IP phone A (the dialed number [DN] is 1000) calls VG200 phone C (DN is 7000) off the voice port 1/0/0.
2. Phone C answers the call and then performs a hookflash by going on-hook and off-hook quickly.

3. The VG200 detects the signal as a hookflash and forwards the signaling to Cisco CallManager that uses MGCP.
4. Cisco CallManager sends a response back to the VG200 and instructs the VG200 to play the dial tone and place IP phone A on hold.
5. The user on phone C then dials the IP phone B extension (DN is 1001). The VG200 collects the digits and forwards the call to Cisco CallManager.
6. Once Cisco CallManager finds a dial pattern that matches, CallManager rings IP phone B and waits for an answer.
7. IP phone B goes off-hook, and Cisco CallManager connects the two parties (IP phone A and IP phone B).
8. The call transfer is complete.

Here is a list of useful debugs enabled on the VG200 router in order to troubleshoot and debug capture log file on the router:

Note: Before you issue the **debug** commands, refer to Important Information on Debug Commands.

- **debug mgcp [packets]** Issue to view the complete MGCP packets exchanged between Cisco CallManager and the router.

```
VG200-2# debug mgcp packet
Media Gateway Control Protocol packets debugging is on
```

- **debug vpm signal** Issue to view the on-hook and off-hook signaling for the voice port.

```
VG200-2# debug vpm signal
Voice Port Module signaling debugging is enabled
```

- **debug vtsp dsp** Issue to view digits collection performed on the router.

```
VG200-2# debug vtsp dsp
Voice telephony call control dsp debugging is on
```

- **debug vtsp tone** Issue to view any tone generated by the router, such as a dial tone, busy signal, or fastbusy.

```
VG200-2# debug vtsp tone
Voice telephony call control tone generation debugging is on
```

Here is the start of the log on the VG200 as the call flow is made.

Note: Some of the output here appears on multiple lines due to space limitations.

```
VG200-2# show log
Syslog logging: enabled (0 messages dropped, 0 messages rate-limited, 2
flushes, 0 overruns)
  Console logging: level debugging, 58646 messages logged
  Monitor logging: level debugging, 6066 messages logged
  Buffer logging: level debugging, 57766 messages logged
  Logging Exception size (4096 bytes)
  Trap logging: level informational, 45 message lines logged

Log Buffer (1000000 bytes):

*Mar  4 03:40:38.339: MGCP Packet received -
CRCX 689 AALN/S1/SU0/0@VG200-2 MGCP 0.1

!--- A create connection (CRCX) request with sequence number 689 is received
!--- from Cisco CallManager to set up the call for voice port 1/0/0.

C: A0000000010001b9
X: 31
```

M: inactive
R: L/hd
*!--- "R: L/hd" is the Cisco CallManager request to be notified if the line
!--- package (L) signal off-hook (hd) is detected.*

S: L/rg
*!--- "S: L/rg" indicates that Cisco CallManager sends a signal generation
!--- request (S) to have the gateway line package ring (rg) the phone.*

Q: process,loop

*Mar 4 03:40:38.347:htsp_process_event: [1/0/0, FXSLS_ONHOOK, E_HTSP_SETUP_REQ]fxspls_ onhook_setu

!--- The FXS voice port 1/0/0 has received an event, a set-up request.

*Mar 4 03:40:38.347: [1/0/0] set signal state = 0x0 timestamp = 0

*Mar 4 03:40:38.347: dsp_close_voice_channel: [1/0/0 (168)] packet_len=8 channel_id=1 packet_id=75

*Mar 4 03:40:38.347: dsp_open_voice_channel_20: [1/0/0 (168)] packet_len=16 channel_id=1 packet_id=74 alaw_ulaw_select=0 associated_signaling_channel=128 time_slot=65535 serial_port=65535

*Mar 4 03:40:38.347: dsp_encap_config: [1/0/0 (168)] packet_len=30 channel_id=1 packet_id=92

TransportProtocol 2 t_ssrc=0x0 r_ssrc=0x0 t_vpxcc=0x0 r_vpxcc=0x0 sid_support=1, tse_payload=65535, seq_num=0xCE9, redundancy=0

*Mar 4 03:40:38.351: dsp_set_payout_delay

*Mar 4 03:40:38.351: dsp_set_payout: [1/0/0 (168)] packet_len=18 channel_id=1 packet_id=76 mode=1 initial=60 min=40 max=200 fax_nom=300

*Mar 4 03:40:38.351: dsp_set_payout_config: [1/0/0 (168)] packet_len=18 channel_id=1 packet_id=76 mode=1 initial=60 min=4 max=200 fax_nom=300

*Mar 4 03:40:38.351: dsp_echo_canceler_control: echo_cancel: 1

*Mar 4 03:40:38.351: dsp_echo_canceler_control: [1/0/0 (168)] echo_cancel 1, disable_hpf 0, flags=0x0, threshold=-21

*Mar 4 03:40:38.351: dsp_echo_canceler_control: [1/0/0 (168)] packet_len=14 channel_id=1 packet_id=66 flags=0x0, threshold=-21, suppressor_coverage=7

*Mar 4 03:40:38.351: dsp_idle_code_det: [1/0/0 (168)] packet_len=14 channel_id=1 packet_id=116 enable=0, code=0, duration=6000

*Mar 4 03:40:38.355: set_gains: FXx/E&M: msg->message.set_codec_gains.out_gain=65506

*Mar 4 03:40:38.355: dsp_set_gains: [1/0/0 (168)] packet_len=12 channel_id=1 packet_id=91 in_gain=0 out_gain=65506

*Mar 4 03:40:38.355: dsp_vad_enable: [1/0/0 (168)] enable: packet_len=16 channel_id=1 packet_id=78 thresh=-38 vadtime=250 aggressive=0

*Mar 4 03:40:38.359: dsp_idle_mode: [1/0/0 (168)] packet_len=8 channel_id=1 packet_id=68

*Mar 4 03:40:38.363: dsp_encap_config: [1/0/0 (168)] packet_len=30 channel_id=1 packet_id=92

TransportProtocol 2 t_ssrc=0x0 r_ssrc=0x0 t_vpxcc=0x0 r_vpxcc=0x0 sid_support=0, tse_payload=65535, seq_num=0x534, redundancy=0

*Mar 4 03:40:38.363: dsp_voice_mode: [1/0/0 (168)] cdb 8127AD60, cdb->codec_params.modem 2, inband_detect flags 0x21

*Mar 4 03:40:38.363: map_dtmf_relay_type--digit relay mode: 3

*Mar 4 03:40:38.363: dsp_voice_mode: [1/0/0 (168)] packet_len=24 channel_id=1 packet_id=73 coding_type=1 voice_field_size=160 VAD_flag=0 echo_length=64 comfort_noise=1 inband_detect=33 digit_relay_mode=3 AGC_flag=0

*Mar 4 03:40:38.363: dsp_vad_enable: [1/0/0 (168)] disable: packet_len=8 channel_id=1 packet_id=77

*Mar 4 03:40:38.363: htsp_process_event: [1/0/0, FXSLS_ONHOOK, E_HTSP_VOICE_CUT_THROUGH]

*Mar 4 03:40:38.367: send_mgcp_msg, MGCP Packet sent --->
200 689 OK

*!--- The router sends "200 OK" back to Cisco CallManager to acknowledge
!--- the CRCX with sequence number 689.*

I: 39

```
v=0
o=- A0000000010001b9 0 IN IP4 172.16.13.169
s=Cisco SDP 0
c=IN IP4 172.16.13.169
t=0 0
m=audio 16384 RTP/AVP 0 8 96 97 98 2 99 100 101 102 103 104 18
a=rtpmap:96 G.729a/8000/1
a=rtpmap:97 G.726-16/8000/1
a=rtpmap:98 G.726-24/8000/1
a=rtpmap:99 G.728/8000/1
a=rtpmap:100 G.723.1-H/8000/1
a=rtpmap:101 G.723.1-L/8000/1
a=rtpmap:102 G.729b/8000/1
a=rtpmap:103 G.723.1a-H/8000/1
a=rtpmap:104 G.723.1a-L/8000/1

<---

*Mar 4 03:40:38.371: htsp_process_event: [1/0/0, FXSLS_ONHOOK, E_HTSP_POWER_RINGING]
fxspls_onhook_ringing

!--- The router instructs to ring the phone off voice port 1/0/0.

*Mar 4 03:40:38.371: [1/0/0] set signal state = 0x0 timestamp = 0htsp_alert
*Mar 4 03:40:40.819: vtsp_process_dsp_message: MSG_TX_GET_TX_STAT: rtp_timestamp=
0xB23DAB2A
*Mar 4 03:40:43.280: vtsp_process_dsp_message: MSG_TX_GET_TX_STAT: rtp_timestamp=
0xB23DF80A
*Mar 4 03:40:45.740: vtsp_process_dsp_message: MSG_TX_GET_TX_STAT: rtp_timestamp=
0xB23E44EA
*Mar 4 03:40:48.200: vtsp_process_dsp_message: MSG_TX_GET_TX_STAT: rtp_timestamp=
0xB23E91CA
*Mar 4 03:40:49.116: htsp_process_event: [1/0/0, FXSLS_WAIT_OFFHOOK, E_DSP_SIG_1100]
fxspls_waitoff_offhook

!--- The router waits for the called party to pick up the phone.

*Mar 4 03:40:49.116: [1/0/0] set signal state = 0x4 timestamp = 0
*Mar 4 03:40:49.116: [1/0/0] set signal state = 0x6 timestamp = 0 htsp_dial
*Mar 4 03:40:49.116: htsp_process_event: [1/0/0, FXSLS_CONNECT, E_DSP_DIALING_DONE]

!--- The router detects that the called party went off-hook, went into
!--- the CONNECT state, and connected both parties.

*Mar 4 03:40:49.116: dsp_cp_tone_off: [1/0/0 (168)] packet_len=8 channel_id=1 packet_id=
71
*Mar 4 03:40:49.116: dsp_cp_tone_off: [1/0/0 (168)] packet_len=8 channel_id=1 packet_id=
71
*Mar 4 03:40:49.120: send_mgcp_msg, MGCP Packet sent ---->
NTFY 18351 AALN/S1/SU0/0@VG200-2 MGCP 0.1

!--- The router sends the notify (NTFY) message to Cisco CallManager with sequence number
!--- 18351 to inform CallManager of the off-hook status.

X: 31
O: L/hd
!--- "L/hd" indicates line package and off-hook.

<---
```

```
*Mar 4 03:40:49.120: dsp_cp_tone_off: [1/0/0 (168)] packet_len=8 channel_id=1 packet_id=71
*Mar 4 03:40:49.120: act_gen_tone: Tone Busy generated in direction Network, stop_tone_on_digit = FALSE

*Mar 4 03:40:49.124: MGCP Packet received -
200 18351

!--- The router receives the 200 "OK" acknowledgement
!--- from Cisco CallManager
!--- for sequence number 18351.

*Mar 4 03:40:49.152: MGCP Packet received -
MDCX 690 AALN/S1/SU0/0@VG200-2 MGCP 0.1

!--- The router receives the modify connect (MDCX) message from Cisco CallManager
!--- with sequence number 690.

C: A0000000010001b9
I: 39
X: 32
L: p:20, a:PCMU, s:off
!--- "L: p:20, a:PCMU, s:off" indicates line package 20 bytes payload
!--- with coder-decoder
!--- (codec) G.711ulaw and voice activity detection (VAD) disabled.

M: recvonly
!--- "M: recvonly" indicates that media (M) mode went
!--- into the receive only state.

R: L/hu
!--- "R: L/hu" indicates the Cisco CallManager request to be notified if
!--- line package detects an on-hook (hu) status.

Q: process,loop

*Mar 4 03:40:49.160: send_mgcp_msg, MGCP Packet sent ---->
200 690 OK

!--- The router sends a "200 OK" back to Cisco CallManager
!--- and acknowledges the
!--- MDCX sequence number 690.

<---

*Mar 4 03:40:49.168: MGCP Packet received -
MDCX 691 AALN/S1/SU0/0@VG200-2 MGCP 0.1

!--- The router has received MDCX with sequence number 691.

C: A0000000010001b9
I: 39
X: 33
L: p:20, a:PCMU, s:off
M: sendrecv
!--- "M: sendrecv" indicates a change of the media state to sendrecv
!--- (audio in both directions).

R: L/hu, L/hf, D/[0-9ABCD*#]

!--- "R: L/hu, L/hf" indicates the Cisco CallManager request
!--- to be notified if line package on-hook and hookflash (hf) are detected.
```

!--- "D/[0-9ABCD#]" indicates the Cisco CallManager request to be notified if the router
!--- detects any dual tone multifrequency (DTMF) tones or digits.*

S:
Q: process,loop

v=0
o=- 57 0 IN EPN AALN/S1/SU0/0@VG200-2
s=Cisco SDP 0
t=0 0
c=IN IP4 10.17.178.246

*!--- "c: IN IP4 10.17.178.246" is the IP address
!--- of the remote IP phone for the Real-Time Transport Protocol (RTP) voice traffic.*

m=audio 16922 RTP/AVP 0

*!--- "m: audio 16922 RTP/AVP 0" is the User Datagram Protocol (UDP) port
!--- used by the remote IP phone for the RTP voice traffic and codec is g711ulaw.*

*Mar 4 03:40:49.176: dsp_idle_mode: [1/0/0 (168)] packet_len=8 channel_id=1 packet_id=68
*Mar 4 03:40:49.176: dsp_voice_mode: [1/0/0 (168)] cdb 8127AD60, cdb->codec_params.modem
2, inband_detect flags 0x421
*Mar 4 03:40:49.176: map_dtmf_relay_type--digit relay mode: 3
*Mar 4 03:40:49.176: dsp_voice_mode: [1/0/0 (168)] packet_len=24 channel_id=1 packet_id=
73 coding_type=1 voice_field_size=160 VAD_flag=0 echo_length=64 comfort_noise=1 inband_
detect=1057 digit_relay_mode=3 AGC_flag=0
*Mar 4 03:40:49.176: htsp_process_event: [1/0/0, FXSLS_CONNECT, E_HTSP_VOICE_CUT_THROUGH]

!--- The router cuts through the audio in both directions.

*Mar 4 03:40:49.180: send_mgcp_msg, MGCP Packet sent ---->
200 691 OK

!--- The router sends "200 OK" back to acknowledge the MDCX 691.

<---

*Mar 4 03:40:51.944: vtsp_process_dsp_message: MSG_TX_GET_TX_STAT: rtp_timestamp=
0xD662FC5C
*Mar 4 03:40:52.296: htsp_process_event: [1/0/0, FXSLS_CONNECT, E_DSP_SIG_0100]
fxsلس_offhook_onhook, HF duration=500
*Mar 4 03:40:52.296: htsp_timer - 500 msec
*Mar 4 03:40:52.732: htsp_process_event: [1/0/0, FXSLS_CONNECT, E_DSP_SIG_1100]
fxsلس_offhook_offhook
*Mar 4 03:40:52.736: htsp_timer_stop

*!--- The router detects on-hook and off-hook signaling. Once on-hook is detected,
!--- an HTSP_timer is started for 500 milliseconds (msec) (the default value).
!--- Once the off-hook is detected, the timer stops. Notice the time difference between
!--- the on-hook and off-hook signal. The difference in time is 440 msec
!--- (732 msec - 296 msec = 440 msec). This difference, 440 msec, is within the hookflash
!--- timer (500) defined on the router, thus the router considers this action to be a
!--- hookflash and reports it back to Cisco CallManager by MGCP.*

*Mar 4 03:40:52.736: send_mgcp_msg, MGCP Packet sent ---->
NTFY 18352 AALN/S1/SU0/0@VG200-2 MGCP 0.1

!--- The router reports the hookflash event back to Cisco CallManager.

X: 33
O: L/hf

!--- "O: L/hf" indicates the observed (O) hookflash event.

<---

***Mar 4 03:40:52.740: MGCP Packet received -
200 18352**

!--- Cisco CallManager responds back with "200 OK".

***Mar 4 03:40:52.768: MGCP Packet received -
MDCX 692 AALN/S1/SU0/0@VG200-2 MGCP 0.1**

!--- The router receives an MDCX message with sequence number 692.

C: A0000000010001b9

I: 39

X: 34

M: recvonly

!--- "M: recvonly" indicates a change in the media mode to receive only.

R: L/hu

!--- "R: L/hu" is the Cisco CallManager request to be notified when the

!--- router line package detects on-hook.

Q: process,loop

***Mar 4 03:40:52.776: send_mgcp_msg, MGCP Packet sent ---->
200 692 OK**

!--- The router sends back "200 OK" to acknowledge Cisco CallManager MDCX 692.

<---

***Mar 4 03:40:52.788: MGCP Packet received -
RQNT 693 AALN/S1/SU0/0@VG200-2 MGCP 0.1**

!--- The router receives request notification (RQNT) for Cisco CallManager

!--- to play the dial tone and watch for on-hook and DTMF digits.

X: 35

R: L/hu, D/[0-9ABCD*#]

!--- "R: L/hu, D/[0-9ABCD#]" is the Cisco CallManager request*

!--- to be notified if the router line package detects an on-hook event

!--- and any DTMF tones or digits.

S: L/dl

!--- "S: L/dl" indicates that Cisco CallManager sends

!--- a signal generation request to have the router play the dial tone (dl).

Q: process,loop

***Mar 4 03:40:52.792: send_mgcp_msg, MGCP Packet sent ---->
200 693 OK**

!--- The router sends back "200 OK" to the Cisco CallManager

!--- request notification sequence number 693.

<---

*Mar 4 03:40:52.796: dsp_cp_tone_off: [1/0/0 (168)] packet_len=8 channel_id=1 packet_id=71
*Mar 4 03:40:52.796: act_gen_tone: Tone Dial generated in direction Network, stop_tone_on_digit = TRUE

!--- The router plays the dial tone toward to the user off the voice port 1/0/0.

*Mar 4 03:40:52.796: dsp_cp_tone_on: [1/0/0 (168)] packet_len=38 channel_id=1 packet_id=72 tone_id=4 n_freq=2
freq_of_first=350 freq_of_second=440 amp_of_first=6942 amp_of_second=6942 direction=1
on_time_first=65535 off_time_first=0 on_time_second=0 off_time_second=0
*Mar 4 03:40:54.156: vtsp_process_dsp_message: MSG_TX_GET_TX_STAT: rtp_timestamp=0xD663416C
*Mar 4 03:40:55.892: vtsp_process_dsp_message: MSG_TX_DTMF_DIGIT_BEGIN: digit=1, rtp_timestamp=0xD6637628

*!--- The router detects the first digit (digit 1) dialed by the user
!--- off the voice port 1/0/0.*

*Mar 4 03:40:55.972: vtsp_process_dsp_message: MSG_TX_DTMF_DIGIT_OFF: digit=1, duration=110
*Mar 4 03:40:55.972: dsp_cp_tone_off: [1/0/0 (168)] packet_len=8 channel_id=1 packet_id=71
*Mar 4 03:40:55.976: send_mgcp_msg, MGCP Packet sent ---->
NTFY 18353 AALN/S1/SU0/0@VG200-2 MGCP 0.1

!--- The router notifies Cisco CallManager of the first digit detected.

X: 35
O: D/1
!--- "O: D/1" indicates the observed DTMF digit 1 (D/1).

<---

*Mar 4 03:40:55.976: dsp_cp_tone_off: [1/0/0 (168)] packet_len=8 channel_id=1 packet_id=71
*Mar 4 03:40:55.976: act_gen_tone: Tone Busy generated in direction Network, stop_tone_on_digit = FALSE

!--- The router stops playing the dial tone to the user off the voice port.

*Mar 4 03:40:55.980:
MGCP Packet received -
200 18353

*!--- The router receives "200 OK" back from
!--- Cisco CallManager for NTFY sequence number 18353.*

*Mar 4 03:40:55.980: MGCP Packet received -
RQNT 694 AALN/S1/SU0/0@VG200-2 MGCP 0.1

*!--- Cisco CallManager instructs the router to continue to detect
!--- DTMF tones or digits and watch for an on-hook event.*

X: 36
R: L/hu, D/[0-9ABCD*#], L/hf
!--- "R: L/hu, D/[0-9ABCD#], L/hf" indicates
!--- the Cisco CallManager request to be notified of on-hook,
!--- hookflash events and if any DTMF digits or tones are detected.*

S:

Q: process,loop

*Mar 4 03:40:55.984: send_mgcp_msg, MGCP Packet sent --->
200 694 OK

!--- The router responds back with "200 OK".

<---

*Mar 4 03:40:56.232: vtsp_process_dsp_message: MSG_TX_DTMF_DIGIT_BEGIN: digit=0,
rtp_timestamp=0xD66380C8

*Mar 4 03:40:56.332: vtsp_process_dsp_message: MSG_TX_DTMF_DIGIT_OFF: digit=0, duration=
130

!--- The router detects another digit (digit 0 with 130 msec duration).

*Mar 4 03:40:56.332: send_mgcp_msg, MGCP Packet sent --->
NTFY 18354 AALN/S1/SU0/0@VG200-2 MGCP 0.1

!--- The router sends

!--- a notify message to Cisco CallManager regarding this digit (0).

X: 36

O: D/0

<---

*Mar 4 03:40:56.336: MGCP Packet received -
200 18354

!--- Cisco CallManager responds back with "200 OK".

*Mar 4 03:40:56.572: vtsp_process_dsp_message: MSG_TX_DTMF_DIGIT_BEGIN: digit=0,
rtp_timestamp=0xD6638B68

*Mar 4 03:40:56.712: vtsp_process_dsp_message: MSG_TX_DTMF_DIGIT_OFF: digit=0, duration=
170

!--- The router detects another digit (digit 0 with a duration of 170 msec).

*Mar 4 03:40:56.712: send_mgcp_msg, MGCP Packet sent --->
NTFY 18355 AALN/S1/SU0/0@VG200-2 MGCP 0.1

!--- The router sends

!--- a notify message to Cisco CallManager regarding this digit (0).

X: 36

O: D/0

<---

*Mar 4 03:40:56.716: MGCP Packet received -
200 18355

!--- Cisco CallManager responds back with "200 OK".

```
*Mar  4 03:40:57.032: vtsp_process_dsp_message: MSG_TX_DTMF_DIGIT_BEGIN: digit=1,
rtp_timestamp=0xD66399C8

*Mar  4 03:40:57.112: vtsp_process_dsp_message: MSG_TX_DTMF_DIGIT_OFF: digit=1, duration=
110

!--- The router detects another digit (digit 1 with a duration of 110 msec).

*Mar  4 03:40:57.112: send_mgcp_msg, MGCP Packet sent ---->
NTFY 18356 AALN/S1/SU0/0@VG200-2 MGCP 0.1

!--- The router sends a notify message to Cisco CallManager
!--- regarding this digit (1).

X: 36
O: D/1

<---

*Mar  4 03:40:57.120: MGCP Packet received -
200 18356

!--- Cisco CallManager responds back with "200 OK".

*Mar  4 03:40:57.148: MGCP Packet received -
RQNT 695 AALN/S1/SU0/0@VG200-2 MGCP 0.1

!--- The router receives a request notification from Cisco CallManager.

X: 37
R: L/hu
!--- "R: L/hu" is the Cisco CallManager request to be notified if the
!--- router line package detects an on-hook.

S: G/rt
!--- "S:G/rt" indicates that Cisco CallManager sends
!--- a signal generation request to have the router use a generic (G) package
!--- and play ring-back tone.

Q: process,loop

*Mar  4 03:40:57.152: send_mgcp_msg, MGCP Packet sent ---->
200 695 OK

!--- The router responds back with "200 OK".

<---

*Mar  4 03:40:57.156: dsp_cp_tone_off: [1/0/0 (168)] packet_len=8 channel_id=1 packet_id=
71
*Mar  4 03:40:57.156: act_gen_tone: Tone Ring Back generated in direction Network,
stop_tone_on_digit = FALSE

*Mar  4 03:40:57.156: dsp_cp_tone_on: [1/0/0 (168)] packet_len=38 channel_id=1 packet_id=
72 tone_id=1 n_freq=2 freq_of_first=440 freq_of_second=480 amp_of_first=7354 amp_of_
second=7354 direction=1 on_time_first=2000 off_time_first=4000 on_time_second=0 off_
time_second=0

*Mar  4 03:40:57.224: MGCP Packet received -
DLCX 696 AALN/S1/SU0/0@VG200-2 MGCP 0.1

!--- The router has received a delete connection (DLCX) from
!--- Cisco CallManager to disconnect the connection.
```

```
C: A0000000010001b9
I: 39
X: 38
R: L/hu
!--- "R: L/hu" indicates the Cisco CallManager request to be notified
!--- when the router detects the on-hook signal.

S:
Q: process,loop

*Mar  4 03:40:57.228: dsp_cp_tone_off: [1/0/0 (168)] packet_len=8 channel_id=1 packet_id=
 71
*Mar  4 03:40:57.228: act_gen_tone: Tone Busy generated in direction Network,
  stop_tone_on_digit = FALSE

*Mar  4 03:40:57.228: send_mgcp_msg, MGCP Packet sent --->
250 696 OK

!--- The router responds back with "250 OK" to clear the call
!--- (250 means connection deleted).

P: PS=180, OS=28800, PR=177, OR=28320, PL=0, JI=352, LA=0

<---

*Mar  4 03:41:00.152: htsp_process_event: [1/0/0, FXSLS_CONNECT, E_DSP_SIG_0100]
  fxsls_offhook_onhook, HF duration=500
*Mar  4 03:41:00.652: htsp_process_event: [1/0/0, FXSLS_CONNECT, E_HTSP_EVENT_TIMER]
  fxsls_connect_wait_release_req

!--- The router disconnects the call from the voice port 1/0/0.
*Mar  4 03:41:00.652: htsp_timer_stop
*Mar  4 03:41:00.652: dsp_cp_tone_off: [1/0/0 (168)] packet_len=8 channel_id=1 packet_id=
 71
*Mar  4 03:41:00.656: act_gen_tone: Tone Busy generated in direction Network,
  stop_tone_on_digit = FALSE

*Mar  4 03:41:00.656: dsp_get_levels: [1/0/0 (168)] packet_len=8 channel_id=1 packet_id=89
*Mar  4 03:41:00.656: vtsp_process_dsp_message: MSG_TX_GET_TX_STAT: rtp_timestamp=
 0xD6640CA0
*Mar  4 03:41:00.656: dsp_idle_mode: [1/0/0 (168)] packet_len=8 channel_id=1 packet_id=68
*Mar  4 03:41:00.656: htsp_process_event: [1/0/0, FXSLS_WAIT_RELEASE_REQ,
  E_HTSP_RELEASE_REQ]fxsls_waitrls_req_rl

!--- The router disconnects the call from the voice port 1/0/0

*Mar  4 03:41:00.656: [1/0/0] set signal state = 0x4 timestamp = 0htsp_report_onhook_sig
*Mar  4 03:41:00.660: dsp_cp_tone_off: [1/0/0 (168)] packet_len=8 channel_id=1 packet_id=
 71
*Mar  4 03:41:00.660: dsp_idle_mode: [1/0/0 (168)] packet_len=8 channel_id=1 packet_id=68
*Mar  4 03:41:00.660: dsp_close_voice_channel: [1/0/0 (168)] packet_len=8 channel_id=1
  packet_id=75
*Mar  4 03:41:00.664: send_mgcp_msg, MGCP Packet sent --->
NTFY 18357 AALN/S1/SU0/0@VG200-2 MGCP 0.1

!--- The router notifies Cisco CallManager that the phone went on-hook.
X: 39
O: L/hu
!--- "O: L/hu" indicates that an on-hook event is observed.

<---
```

```
*Mar 4 03:41:00.668: MGCP Packet received -
200 18357
```

```
!--- Cisco CallManager sends back the "200 OK".
```

```
*Mar 4 03:41:00.676: MGCP Packet received -
RQNT 698 AALN/S1/SU0/0@VG200-2 MGCP 0.1
```

```
!--- The router receives a request notification from Cisco CallManager.
```

```
X: 3a
```

```
R: L/hd
```

```
!--- "R: L/hd" indicates the Cisco CallManager request to be notified
!--- if the router detects an off-hook event.
```

```
S:
```

```
Q: process,loop
```

```
*Mar 4 03:41:00.676: send_mgcp_msg, MGCP Packet sent ---->
200 698 OK
```

```
!--- The router sends a "200 OK" to acknowledge
!--- the request notification.
```

```
<----
```

```
VG200-2#
```

Here are the corresponding debugs for the same call on the Cisco CallManager with traces enabled, as described in the Debugs from Successful Calls section of this document:

Note: Some of the output here appears on multiple lines due to space limitations.

```
S:
```

```
Q: process,loop
```

```
|<CLID::ctrieu-sunpc-Cluster><NID::171.69.85.107><CT::1,100,53,1.41811><IP::172.16.13.169>
<DEV::AALN/S1/SU0/0@VG200-2>
```

```
01/08/2003 17:16:03.037 Cisco CallManager|Digit analysis: match(fqcn="7000", cn="7000",
pss="Line1", dd="1")|<CLID::ctrieu-sunpc-Cluster><NID::171.69.85.107>
```

```
<CT::1,100,53,1.41811><IP::172.16.13.169><DEV::AALN/S1/SU0/0@VG200-2>
```

```
01/08/2003 17:16:03.037 Cisco CallManager|Digit analysis: potentialMatches=
```

```
PotentialMatchesExist|<CLID::ctrieu-sunpc-Cluster><NID::171.69.85.107>
```

```
<CT::1,100,53,1.41811><IP::172.16.13.169><DEV::AALN/S1/SU0/0@VG200-2>
```

```
01/08/2003 17:16:03.037 Cisco CallManager|MGCPHandler received msg from: 172.16.13.169
```

```
200 694 OK
```

```
|<CLID::ctrieu-sunpc-Cluster><NID::171.69.85.107><CT::1,100,53,1.41812><IP::172.16.13.169>
<DEV::>
```

```
01/08/2003 17:16:03.037 Cisco CallManager|MGCPHandler received RESP header w/ transId=
694|<CLID::ctrieu-sunpc-Cluster><NID::171.69.85.107><CT::1,100,53,1.41812>
```

```
<IP::172.16.13.169><DEV::>
```

```
01/08/2003 17:16:03.037 Cisco CallManager|<CLID::ctrieu-sunpc-Cluster><NID::171.69.85.107>
```

```
<CT::1,100,53,1.41812><MN::MGCP endPoint><MV::AALN/S1/SU0/0@VG200-2>
```

```
<DEV::AALN/S1/SU0@VG200-2>
```

```
01/08/2003 17:16:03.037 Cisco CallManager|MGCPHandler received RESP header w/ transId= 694
```

```
FOUND a match for RQNT|<CLID::ctrieu-sunpc-Cluster><NID::171.69.85.107>
```

```
<CT::1,100,53,1.41812><IP::172.16.13.169><DEV::AALN/S1/SU0@VG200-2>
```

```
01/08/2003 17:16:03.037 Cisco CallManager|MGCPHandler recv RQNT Ack from 172.16.13.169|
```

```
<CLID::ctrieu-sunpc-Cluster><NID::171.69.85.107><CT::1,100,53,1.41812><IP::172.16.13.169>
```

```
<DEV::AALN/S1/SU0@VG200-2>
```

01/08/2003 17:16:03.358 Cisco CallManager|StationInit - InboundStim - KeepAliveMessage -
Send KeepAlive to Device Controller. DeviceName=MOH_ctrieu-sunp, TCPHandle=0x6ad42d0,
Socket=0x774, IPAddr=171.69.85.107, Port=2403, Device Controller=[1,69,2]|
<CLID::ctrieu-sunpc-Cluster><NID::171.69.85.107><CT::1,100,93,1.76446><IP::171.69.85.107>
<DEV::MOH_ctrieu-sunp>
01/08/2003 17:16:03.358 Cisco CallManager|StationInit: 6ad42d0 KeepAliveAck. |
<CLID::ctrieu-sunpc-Cluster><NID::171.69.85.107><CT::1,100,93,1.76446><IP::171.69.85.107>
<DEV::MOH_ctrieu-sunp>
01/08/2003 17:16:03.388 Cisco CallManager|MGCPHandler received msg from: 172.16.13.169
NTFY 18354 AALN/S1/SU0/0@VG200-2 MGCP 0.1
X: 36
O: D/0
|<CLID::ctrieu-sunpc-Cluster><NID::171.69.85.107><CT::1,100,53,1.41813><IP::172.16.13.169>
<DEV::>
01/08/2003 17:16:03.388 Cisco CallManager|<CLID::ctrieu-sunpc-Cluster><NID::171.69.85.107>
<CT::1,100,53,1.41813><MN::MGCP endPoint><MV::AALN/S1/SU0/0@VG200-2><DEV::>
01/08/2003 17:16:03.388 Cisco CallManager|MGCPHandler send msg SUCCESSFULLY to:
172.16.13.169
200 18354
|<CLID::ctrieu-sunpc-Cluster><NID::171.69.85.107><CT::1,100,53,1.41813><IP::172.16.13.169>
<DEV::AALN/S1/SU0/0@VG200-2>
01/08/2003 17:16:03.398 Cisco CallManager|Digit analysis: match(fqcn="7000", cn="7000",
pss="Line1", dd="10")|<CLID::ctrieu-sunpc-Cluster><NID::171.69.85.107>
<CT::1,100,53,1.41813><IP::172.16.13.169><DEV::AALN/S1/SU0/0@VG200-2>
01/08/2003 17:16:03.398 Cisco CallManager|Digit analysis: analysis results|
<CLID::ctrieu-sunpc-Cluster><NID::171.69.85.107><CT::1,100,53,1.41813><IP::172.16.13.169>
<DEV::AALN/S1/SU0/0@VG200-2>
01/08/2003 17:16:03.398 Cisco CallManager||PretransformCallingPartyNumber=7000
|CallingPartyNumber=7000
|DialingPartition=
|DialingPattern=1.@
|DialingRoutePatternRegularExpression=(1)(0)
|DialingWhere=
|PatternType=National
|PotentialMatches=PotentialMatchesExist
|DialingSdlProcessId=(1,30,17)
|PretransformDigitString=10
|PretransformTagsList=ACCESS-CODE:LOCAL-OPERATOR
|PretransformPositionalMatchList=1:0
|CollectedDigits=0
|UnconsumedDigits=
|TagsList=LOCAL-OPERATOR
|PositionalMatchList=0
|VoiceMailbox=
|VoiceMailCallingSearchSpace=
|VoiceMailPilotNumber=
|DisplayName=
|RouteBlockFlag=RouteThisPattern
|InterceptPartition=
|InterceptPattern=
|InterceptWhere=
|InterceptSdlProcessId=(0,0,0)
|InterceptSsType=0
|InterceptSsKey=0|<CLID::ctrieu-sunpc-Cluster><NID::171.69.85.107><CT::1,100,53,1.41813>
<IP::172.16.13.169><DEV::AALN/S1/SU0/0@VG200-2>
01/08/2003 17:16:03.768 Cisco CallManager|MGCPHandler received msg from: 172.16.13.169
NTFY 18355 AALN/S1/SU0/0@VG200-2 MGCP 0.1
X: 36
O: D/0
|<CLID::ctrieu-sunpc-Cluster><NID::171.69.85.107><CT::1,100,53,1.41814><IP::172.16.13.169>
<DEV::>
01/08/2003 17:16:03.768 Cisco CallManager|<CLID::ctrieu-sunpc-Cluster><NID::171.69.85.107>
<CT::1,100,53,1.41814><MN::MGCP endPoint><MV::AALN/S1/SU0/0@VG200-2><DEV::>
01/08/2003 17:16:03.768 Cisco CallManager|MGCPHandler send msg SUCCESSFULLY to:
172.16.13.169
200 18355

|<CLID::ctrieu-sunpc-Cluster><NID::171.69.85.107><CT::1,100,53,1.41814><IP::172.16.13.169>
<DEV::AALN/S1/SU0/0@VG200-2>
01/08/2003 17:16:03.768 Cisco CallManager|Digit analysis: match(fqcn="7000", cn="7000",
pss="Line1", dd="100")|<CLID::ctrieu-sunpc-Cluster><NID::171.69.85.107>
<CT::1,100,53,1.41814><IP::172.16.13.169><DEV::AALN/S1/SU0/0@VG200-2>
01/08/2003 17:16:03.768 Cisco CallManager|Digit analysis: analysis results|
<CLID::ctrieu-sunpc-Cluster><NID::171.69.85.107><CT::1,100,53,1.41814><IP::172.16.13.169>
<DEV::AALN/S1/SU0/0@VG200-2>
01/08/2003 17:16:03.778 Cisco CallManager||PretransformCallingPartyNumber=7000
|CallingPartyNumber=7000
|DialingPartition=
|DialingPattern=1.@
|DialingRoutePatternRegularExpression=(1)(00)
|DialingWhere=
|PatternType=National
|PotentialMatches=PotentialMatchesExist
|DialingSdlProcessId=(1,30,17)
|PretransformDigitString=100
|PretransformTagsList=ACCESS-CODE:LONG-DISTANCE-OPERATOR
|PretransformPositionalMatchList=1:00
|CollectedDigits=00
|UnconsumedDigits=
|TagsList=LONG-DISTANCE-OPERATOR
|PositionalMatchList=00
|VoiceMailbox=
|VoiceMailCallingSearchSpace=
|VoiceMailPilotNumber=
|DisplayName=
|RouteBlockFlag=RouteThisPattern
|InterceptPartition=
|InterceptPattern=
|InterceptWhere=
|InterceptSdlProcessId=(0,0,0)
|InterceptSsType=0
|InterceptSsKey=0|<CLID::ctrieu-sunpc-Cluster><NID::171.69.85.107><CT::1,100,53,1.41814>
<IP::172.16.13.169><DEV::AALN/S1/SU0/0@VG200-2>
01/08/2003 17:16:04.059 Cisco CallManager|CMPProcMon - -----Entered Router Verification|
<CLID::ctrieu-sunpc-Cluster><NID::171.69.85.107>
01/08/2003 17:16:04.059 Cisco CallManager|CMPProcMon - ----Exited Router Verification|
<CLID::ctrieu-sunpc-Cluster><NID::171.69.85.107>
01/08/2003 17:16:04.169 Cisco CallManager|MGCPHandler received msg from: 172.16.13.169
NTFY 18356 AALN/S1/SU0/0@VG200-2 MGCP 0.1
X: 36
O: D/1
|<CLID::ctrieu-sunpc-Cluster><NID::171.69.85.107><CT::1,100,53,1.41815><IP::172.16.13.169>
<DEV::>
01/08/2003 17:16:04.169 Cisco CallManager|<CLID::ctrieu-sunpc-Cluster><NID::171.69.85.107>
<CT::1,100,53,1.41815><MN::MGCP endPoint><MV::AALN/S1/SU0/0@VG200-2><DEV::>
01/08/2003 17:16:04.169 Cisco CallManager|MGCPHandler send msg SUCCESSFULLY to:
172.16.13.169
200 18356
|<CLID::ctrieu-sunpc-Cluster><NID::171.69.85.107><CT::1,100,53,1.41815><IP::172.16.13.169>
<DEV::AALN/S1/SU0/0@VG200-2>
01/08/2003 17:16:04.179 Cisco CallManager|Digit analysis: match(fqcn="7000", cn="7000",
pss="Line1", dd="1001")|<CLID::ctrieu-sunpc-Cluster><NID::171.69.85.107>
<CT::1,100,53,1.41815><IP::172.16.13.169><DEV::AALN/S1/SU0/0@VG200-2>
01/08/2003 17:16:04.179 Cisco CallManager|Digit analysis: analysis results|
<CLID::ctrieu-sunpc-Cluster><NID::171.69.85.107><CT::1,100,53,1.41815><IP::172.16.13.169>
<DEV::AALN/S1/SU0/0@VG200-2>
01/08/2003 17:16:04.179 Cisco CallManager||PretransformCallingPartyNumber=7000
|CallingPartyNumber=7000
|DialingPartition=Line1
|DialingPattern=1001
|DialingRoutePatternRegularExpression=(1001)
|DialingWhere=
|PatternType=Enterprise

|PotentialMatches=NoPotentialMatchesExist
|DialingSdlProcessId=(1,37,65)
|PretransformDigitString=1001
|PretransformTagsList=SUBSCRIBER
|PretransformPositionalMatchList=1001
|CollectedDigits=1001
|UnconsumedDigits=
|TagsList=SUBSCRIBER
|PositionalMatchList=1001
|VoiceMailbox=
|VoiceMailCallingSearchSpace=
|VoiceMailPilotNumber=
|DisplayName=
|RouteBlockFlag=RouteThisPattern
|InterceptPartition=
|InterceptPattern=
|InterceptWhere=
|InterceptSdlProcessId=(0,0,0)
|InterceptSsType=0
|InterceptSsKey=0|<CLID::ctrieu-sunpc-Cluster><NID::171.69.85.107><CT::1,100,53,1.41815>
<IP::172.16.13.169><DEV::AALN/S1/SU0/0@VG200-2>
01/08/2003 17:16:04.179 Cisco CallManager|<CLID::ctrieu-sunpc-Cluster><NID::171.69.85.107>
<CT::1,100,53,1.41815><MN::Directory Number><MV::1001><DEV::AALN/S1/SU0/0@VG200-2>
01/08/2003 17:16:04.179 Cisco CallManager|Locations_reserveBandwidth -- cdccPID=(1.15.223)
Orig=Dest=0 no need to reserve bw.|<CLID::ctrieu-sunpc-Cluster><NID::171.69.85.107>
01/08/2003 17:16:04.179 Cisco CallManager|StationD: 6ad4398 StationOutputDisplayText don't
need to send, because mIsALegacyDevice = 0|<CLID::ctrieu-sunpc-Cluster>
<NID::171.69.85.107><CT::1,100,53,1.41815><IP::172.16.13.169>
<DEV::AALN/S1/SU0/0@VG200-2>
01/08/2003 17:16:04.189 Cisco CallManager|StationD: 6ad4398 CallState callState=4
lineInstance=1 callReference=16777659|<CLID::ctrieu-sunpc-Cluster>
<NID::171.69.85.107><CT::1,100,53,1.41815><IP::172.16.13.169>
<DEV::AALN/S1/SU0/0@VG200-2>
01/08/2003 17:16:04.189 Cisco CallManager|StationD: 6ad4398 CallInfo callingPartyName=''
callingParty=7000 cgpnVoiceMailbox= calledPartyName=' calledParty=1001 cdpnVoiceMailbox=
originalCalledPartyName=' originalCalledParty=1001 originalCdpnVoiceMailbox=
originalCdpnRedirectReason=0 lastRedirectingPartyName=' lastRedirectingParty=1001
lastRedirectingVoiceMailbox= lastRedirectingReason=0 callType=1(InBound) lineInstance=1
callReference=16777659. version: 3|<CLID::ctrieu-sunpc-Cluster><NID::171.69.85.107>
<CT::1,100,53,1.41815><IP::172.16.13.169><DEV::AALN/S1/SU0/0@VG200-2>
01/08/2003 17:16:04.189 Cisco CallManager|StationD::star_StationOutputCallInfo():
callInfo: CI=16777659, CallingPartyName=, CallingParty=7000, CalledPartyName=,
CalledParty=1001, OriginalCalledPartyName=, OriginalCalledParty=1001,
lastRedirectingPartyName=, lastRedirectingParty=|<CLID::ctrieu-sunpc-Cluster>
<NID::171.69.85.107><CT::1,100,53,1.41815><IP::172.16.13.169>
<DEV::AALN/S1/SU0/0@VG200-2>
01/08/2003 17:16:04.189 Cisco CallManager|StationD: 6ad4398 SetLamp stimulus=9(Line)
stimulusInstance=1 lampMode=5(LampBlink).|<CLID::ctrieu-sunpc-Cluster>
<NID::171.69.85.107><CT::1,100,53,1.41815><IP::172.16.13.169>
<DEV::AALN/S1/SU0/0@VG200-2>
01/08/2003 17:16:04.189 Cisco CallManager|StationD: 6ad4398 SetRinger ringMode=2
(InsideRing).|<CLID::ctrieu-sunpc-Cluster><NID::171.69.85.107>
<CT::1,100,53,1.41815><IP::172.16.13.169><DEV::AALN/S1/SU0/0@VG200-2>
01/08/2003 17:16:04.189 Cisco CallManager|StationD: 6ad4398 DisplayNotify timeOutValue=10
notify='€7000' content='From 7000' ver=3.|<CLID::ctrieu-sunpc-Cluster>
<NID::171.69.85.107><CT::1,100,53,1.41815><IP::172.16.13.169>
<DEV::AALN/S1/SU0/0@VG200-2>
01/08/2003 17:16:04.189 Cisco CallManager|StationD: 6ad4398 DisplayPromptStatus
timeOutValue=0 promptStatus='€7000' content='From 7000' lineInstance=1
callReference=16777659 ver=3.|<CLID::ctrieu-sunpc-Cluster><NID::171.69.85.107>
<CT::1,100,53,1.41815><IP::172.16.13.169><DEV::AALN/S1/SU0/0@VG200-2>
01/08/2003 17:16:04.189 Cisco CallManager|StationD: 6ad4398 SelectSoftKeys instance=1
reference=16777659 softKeySetIndex=3 validKeyMask=-1.|<CLID::ctrieu-sunpc-Cluster>
<NID::171.69.85.107><CT::1,100,53,1.41815><IP::172.16.13.169><DEV::AALN/S1/SU0/0@VG200-2>
01/08/2003 17:16:04.199 Cisco CallManager|MGCPStationD - MGCPOutputStartTone: 79
endpointId=AALN/S1/SU0/0@VG200-2 |<CLID::ctrieu-sunpc-Cluster>

<NID::171.69.85.107><CT::1,100,53,1.41815><IP::172.16.13.169>
<DEV::AALN/S1/SU0/0@VG200-2>
01/08/2003 17:16:04.199 Cisco CallManager|MGCPHandler send msg SUCCESSFULLY to:
172.16.13.169
RQNT 695 AALN/S1/SU0/0@VG200-2 MGCP 0.1
X: 37
R: L/hu
S: G/rt
Q: process,loop
|<CLID::ctrieu-sunpc-Cluster><NID::171.69.85.107><CT::1,100,53,1.41815><IP::172.16.13.169>
<DEV::AALN/S1/SU0/0@VG200-2>
01/08/2003 17:16:04.199 Cisco CallManager|Insert an entry into MonitorPartyTable, now this
table has 3 entries|<CLID::ctrieu-sunpc-Cluster><NID::171.69.85.107>
<CT::1,100,53,1.41815><IP::172.16.13.169><DEV::AALN/S1/SU0/0@VG200-2>
01/08/2003 17:16:04.199 Cisco CallManager|Insert an entry into MonitorPartyTable, now this
table has 4 entries|<CLID::ctrieu-sunpc-Cluster><NID::171.69.85.107>
<CT::1,100,53,1.41815><IP::172.16.13.169><DEV::AALN/S1/SU0/0@VG200-2>
01/08/2003 17:16:04.209 Cisco CallManager|TransferManager: SsInfoInd : complete transfer,
TransferringSecondarSsParty=16777658, TransferringPartyDslAddr
(0,64566112,-1458761556,2427), TransferringPartyPID (1,37,66),
TransferDestinationSsParty=16777659, TransferDestinationDslAddr(0,0,1488064778,50826),
TransferDesinatonPID (1,37,65).|<CLID::ctrieu-sunpc-Cluster><NID::171.69.85.107>
01/08/2003 17:16:04.209 Cisco CallManager|Delete entries from TransTable, now this
table has 3 entries|<CLID::ctrieu-sunpc-Cluster><NID::171.69.85.107>
<CT::1,100,53,1.41815><IP::172.16.13.169><DEV::AALN/S1/SU0/0@VG200-2>
01/08/2003 17:16:04.209 Cisco CallManager|Insert an entry into TransTable, now this
table has 4 entries|<CLID::ctrieu-sunpc-Cluster><NID::171.69.85.107>
<CT::1,100,53,1.41815><IP::172.16.13.169><DEV::AALN/S1/SU0/0@VG200-2>
01/08/2003 17:16:04.209 Cisco CallManager|Delete entries from TransTable, now this
table has 3 entries|<CLID::ctrieu-sunpc-Cluster><NID::171.69.85.107>
<CT::1,100,53,1.41815><IP::172.16.13.169><DEV::AALN/S1/SU0/0@VG200-2>
01/08/2003 17:16:04.209 Cisco CallManager|MGCPHandler received msg from: 172.16.13.169
200 695 OK
|<CLID::ctrieu-sunpc-Cluster><NID::171.69.85.107><CT::1,100,53,1.41816><IP::172.16.13.169>
<DEV::>
01/08/2003 17:16:04.209 Cisco CallManager|MGCPHandler received RESP header w/ transId=
695|<CLID::ctrieu-sunpc-Cluster><NID::171.69.85.107><CT::1,100,53,1.41816>
<IP::172.16.13.169><DEV::>
01/08/2003 17:16:04.209 Cisco CallManager|<CLID::ctrieu-sunpc-Cluster><NID::171.69.85.107>
<CT::1,100,53,1.41816><MN::MGCP endPoint><MV::AALN/S1/SU0/0@VG200-2>
<DEV::AALN/S1/SU0@VG200-2>
01/08/2003 17:16:04.209 Cisco CallManager|MGCPHandler received RESP header w/ transId= 695
FOUND a match for RQNT|<CLID::ctrieu-sunpc-Cluster><NID::171.69.85.107>
<CT::1,100,53,1.41816><IP::172.16.13.169><DEV::AALN/S1/SU0@VG200-2>
01/08/2003 17:16:04.209 Cisco CallManager|MGCPHandler recv RQNT Ack from 172.16.13.169|
<CLID::ctrieu-sunpc-Cluster><NID::171.69.85.107><CT::1,100,53,1.41816><IP::172.16.13.169>
<DEV::AALN/S1/SU0@VG200-2>
01/08/2003 17:16:04.209 Cisco CallManager|Insert an entry into TransTable, now this table
has 4 entries|<CLID::ctrieu-sunpc-Cluster><NID::171.69.85.107><CT::1,100,53,1.41815>
<IP::172.16.13.169><DEV::AALN/S1/SU0/0@VG200-2>
01/08/2003 17:16:04.219 Cisco CallManager|Delete entries from TransTable, now this table
has 3 entries|<CLID::ctrieu-sunpc-Cluster><NID::171.69.85.107><CT::1,100,53,1.41815>
<IP::172.16.13.169><DEV::AALN/S1/SU0/0@VG200-2>
01/08/2003 17:16:04.219 Cisco CallManager|Insert an entry into TransTable, now this table
has 4 entries|<CLID::ctrieu-sunpc-Cluster><NID::171.69.85.107><CT::1,100,53,1.41815>
<IP::172.16.13.169><DEV::AALN/S1/SU0/0@VG200-2>
01/08/2003 17:16:04.219 Cisco CallManager|Delete entries from TransTable, now this table
has 3 entries|<CLID::ctrieu-sunpc-Cluster><NID::171.69.85.107><CT::1,100,53,1.41815>
<IP::172.16.13.169><DEV::AALN/S1/SU0/0@VG200-2>
01/08/2003 17:16:04.229 Cisco CallManager|ConnectionManager - wait_AuDisconnectRequest
(16777657,0): STOP SESSION|<CLID::ctrieu-sunpc-Cluster><NID::171.69.85.107>
<CT::1,100,53,1.41815><IP::172.16.13.169><DEV::AALN/S1/SU0/0@VG200-2>
01/08/2003 17:16:04.229 Cisco CallManager|ConnectionManager - storeMediaInfo(16777657):
EXISTING ENTRY DISCOVERED, tail == 2|<CLID::ctrieu-sunpc-Cluster><NID::171.69.85.107>
<CT::1,100,53,1.41815><IP::172.16.13.169><DEV::AALN/S1/SU0/0@VG200-2>
01/08/2003 17:16:04.229 Cisco CallManager|ConnectionManager - storeMediaInfo(0): NULL CI

IGNORED, tail == 2|<CLID::ctrieu-sunpc-Cluster><NID::171.69.85.107>
<CT::1,100,53,1.41815><IP::172.16.13.169><DEV::AALN/S1/SU0/0@VG200-2>
01/08/2003 17:16:04.229 Cisco CallManager|MediaCoordinator - wait_AuDisconnectRequest|
<CLID::ctrieu-sunpc-Cluster><NID::171.69.85.107><CT::1,100,53,1.41815><IP::172.16.13.169>
<DEV::AALN/S1/SU0/0@VG200-2>
01/08/2003 17:16:04.229 Cisco CallManager|MediaCoordinator - wait_AuDisconnectRequest -
no parties found|<CLID::ctrieu-sunpc-Cluster><NID::171.69.85.107><CT::1,100,53,1.41815>
<IP::172.16.13.169><DEV::AALN/S1/SU0/0@VG200-2>
01/08/2003 17:16:04.229 Cisco CallManager|MediaCoordinator - wait_AuDisconnectRequest,
extending disconnect to partyA interface instance(41)|<CLID::ctrieu-sunpc-Cluster>
<NID::171.69.85.107><CT::1,100,53,1.41815><IP::172.16.13.169><DEV::AALN/S1/SU0/0@VG200-2>
01/08/2003 17:16:04.229 Cisco CallManager|ConnectionManager - wait_AuDisconnectReply
(16777657,0): STOP SESSION|<CLID::ctrieu-sunpc-Cluster><NID::171.69.85.107>
<CT::1,100,53,1.41815><IP::172.16.13.169><DEV::AALN/S1/SU0/0@VG200-2>
01/08/2003 17:16:04.229 Cisco CallManager|ConnectionManager -
deleteMediaInfoEntry(16777657): ENTRY DELETED, tail == 1|
<CLID::ctrieu-sunpc-Cluster><NID::171.69.85.107><CT::1,100,53,1.41815>
<IP::172.16.13.169><DEV::AALN/S1/SU0/0@VG200-2>
01/08/2003 17:16:04.229 Cisco CallManager|ConnectionManager - ERROR
deleteMediaInfoEntry(0): ENTRY NOT FOUND, tail == 1|<CLID::ctrieu-sunpc-Cluster>
<NID::171.69.85.107><CT::1,100,53,1.41815><IP::172.16.13.169>
<DEV::AALN/S1/SU0/0@VG200-2>
01/08/2003 17:16:04.229 Cisco CallManager|Insert an entry into TransTable, now this table
has 4 entries|<CLID::ctrieu-sunpc-Cluster><NID::171.69.85.107><CT::1,100,53,1.41815>
<IP::172.16.13.169><DEV::AALN/S1/SU0/0@VG200-2>
01/08/2003 17:16:04.229 Cisco CallManager|Insert an entry into TransTable, now this table
has 5 entries|<CLID::ctrieu-sunpc-Cluster><NID::171.69.85.107><CT::1,100,53,1.41815>
<IP::172.16.13.169><DEV::AALN/S1/SU0/0@VG200-2>
01/08/2003 17:16:04.239 Cisco CallManager|ConnectionManager - wait_AuDisconnectRequest
(16777658,0): NO ENTRY FOUND IN TABLE|<CLID::ctrieu-sunpc-Cluster><NID::171.69.85.107>
<CT::1,100,53,1.41815><IP::172.16.13.169><DEV::AALN/S1/SU0/0@VG200-2>
01/08/2003 17:16:04.239 Cisco CallManager|Delete entries from CiCcp table, now this table
has 4 entries|<CLID::ctrieu-sunpc-Cluster><NID::171.69.85.107><CT::1,100,53,1.41815>
<IP::172.16.13.169><DEV::AALN/S1/SU0/0@VG200-2>
01/08/2003 17:16:04.239 Cisco CallManager|Delete entries from TransTable, now this table
has 4 entries|<CLID::ctrieu-sunpc-Cluster><NID::171.69.85.107><CT::1,100,53,1.41815>
<IP::172.16.13.169><DEV::AALN/S1/SU0/0@VG200-2>
01/08/2003 17:16:04.239 Cisco CallManager|Delete entries from TransTable, now this table
has 3 entries|<CLID::ctrieu-sunpc-Cluster><NID::171.69.85.107><CT::1,100,53,1.41815>
<IP::172.16.13.169><DEV::AALN/S1/SU0/0@VG200-2>
01/08/2003 17:16:04.239 Cisco CallManager|Delete entries from TransTable, now this table
has 3 entries|<CLID::ctrieu-sunpc-Cluster><NID::171.69.85.107><CT::1,100,53,1.41815>
<IP::172.16.13.169><DEV::AALN/S1/SU0/0@VG200-2>
01/08/2003 17:16:04.239 Cisco CallManager|Delete entries from CiCcp table, now this table
has 4 entries|<CLID::ctrieu-sunpc-Cluster><NID::171.69.85.107><CT::1,100,53,1.41815>
<IP::172.16.13.169><DEV::AALN/S1/SU0/0@VG200-2>
01/08/2003 17:16:04.249 Cisco CallManager|Locations_releaseBandwidth -- cdccPID=(1.15.225)
no entry.|<CLID::ctrieu-sunpc-Cluster><NID::171.69.85.107>
01/08/2003 17:16:04.249 Cisco CallManager|<CLID::ctrieu-sunpc-Cluster><NID::171.69.85.107>
<CT::1,100,53,1.41815><MN::Directory Number><MV::1001><DEV::AALN/S1/SU0/0@VG200-2>
01/08/2003 17:16:04.249 Cisco CallManager|<CLID::ctrieu-sunpc-Cluster><NID::171.69.85.107>
<CT::1,100,53,1.41815><MN::Directory Number><MV::1001><DEV::AALN/S1/SU0/0@VG200-2>
01/08/2003 17:16:04.259 Cisco CallManager|Delete entries from MonitorPartyTable, now this
table has 3 entries|<CLID::ctrieu-sunpc-Cluster><NID::171.69.85.107>
<CT::1,100,53,1.41815><IP::172.16.13.169><DEV::AALN/S1/SU0/0@VG200-2>
01/08/2003 17:16:04.259 Cisco CallManager|Delete entries from TransTable, now this table
has 3 entries|<CLID::ctrieu-sunpc-Cluster><NID::171.69.85.107><CT::1,100,53,1.41815>
<IP::172.16.13.169><DEV::AALN/S1/SU0/0@VG200-2>
01/08/2003 17:16:04.259 Cisco CallManager|Delete entries from CiCcp table, now this table
has 3 entries|<CLID::ctrieu-sunpc-Cluster><NID::171.69.85.107><CT::1,100,53,1.41815>
<IP::172.16.13.169><DEV::AALN/S1/SU0/0@VG200-2>
01/08/2003 17:16:04.259 Cisco CallManager|<CLID::ctrieu-sunpc-Cluster><NID::171.69.85.107>
<CT::1,100,53,1.41815><MN::Directory Number><MV::1000><DEV::AALN/S1/SU0/0@VG200-2>
01/08/2003 17:16:04.259 Cisco CallManager|StationD: 6ad4398 CallInfo callingPartyName=
' callingParty=1000 cgpnVoiceMailbox= calledPartyName=' calledParty=1001
cdpnVoiceMailbox= originalCalledPartyName=' originalCalledParty=1001

originalCdpnVoiceMailbox= originalCdpnRedirectReason=0 lastRedirectingPartyName=''
lastRedirectingParty=1001 lastRedirectingVoiceMailbox= lastRedirectingReason=0
callType=1(InBound) lineInstance=1 callReference=16777659. version: 3|
<CLID::ctrieu-sunpc-Cluster><NID::171.69.85.107><CT::1,100,53,1.41815>
<IP::172.16.13.169><DEV::AALN/S1/SU0/0@VG200-2>
01/08/2003 17:16:04.259 Cisco CallManager|StationD::star_StationOutputCallInfo():
callInfo: CI=16777659, CallingPartyName=, CallingParty=1000, CalledPartyName=,
CalledParty=1001, OriginalCalledPartyName=, OriginalCalledParty=1001,
lastRedirectingPartyName=, lastRedirectingParty=1001|<CLID::ctrieu-sunpc-Cluster>
<NID::171.69.85.107><CT::1,100,53,1.41815><IP::172.16.13.169>
<DEV::AALN/S1/SU0/0@VG200-2>
01/08/2003 17:16:04.259 Cisco CallManager|<CLID::ctrieu-sunpc-Cluster><NID::171.69.85.107>
<CT::1,100,53,1.41815><MN::Directory Number><MV::1000><DEV::AALN/S1/SU0/0@VG200-2>
01/08/2003 17:16:04.259 Cisco CallManager|Locations_releaseBandwidth -- cdccPID=(1.15.224)
no entry.|<CLID::ctrieu-sunpc-Cluster><NID::171.69.85.107>
01/08/2003 17:16:04.269 Cisco CallManager|<CLID::ctrieu-sunpc-Cluster><NID::171.69.85.107>
<CT::1,100,53,1.41815><MN::Directory Number><MV::1001><DEV::AALN/S1/SU0/0@VG200-2>
01/08/2003 17:16:04.269 Cisco CallManager|StationD - CTI Reason Code: CtiReasonTransferred
Call|<CLID::ctrieu-sunpc-Cluster><NID::171.69.85.107><CT::1,100,53,1.41815>
<IP::172.16.13.169><DEV::AALN/S1/SU0/0@VG200-2>
01/08/2003 17:16:04.269 Cisco CallManager|StationD: 6ad4334 CallInfo callingPartyName=
' ' callingParty=1000 cgpnVoiceMailbox= calledPartyName=' ' calledParty=1001
cdpnVoiceMailbox= originalCalledPartyName=' ' originalCalledParty=
originalCdpnVoiceMailbox= originalCdpnRedirectReason=0 lastRedirectingPartyName=' '
lastRedirectingParty=1001 lastRedirectingVoiceMailbox= lastRedirectingReason=0
callType=2(OutBound) lineInstance=1 callReference=16777656. version: 3|
<CLID::ctrieu-sunpc-Cluster><NID::171.69.85.107><CT::1,100,53,1.41815>
<IP::172.16.13.169><DEV::AALN/S1/SU0/0@VG200-2>
01/08/2003 17:16:04.269 Cisco CallManager|StationD::star_StationOutputCallInfo():
callInfo: CI=16777656, CallingPartyName=, CallingParty=1000, CalledPartyName=,
CalledParty=1001, OriginalCalledPartyName=, OriginalCalledParty=,
lastRedirectingPartyName=, lastRedirectingParty=1001|<CLID::ctrieu-sunpc-Cluster>
<NID::171.69.85.107><CT::1,100,53,1.41815><IP::172.16.13.169>
<DEV::AALN/S1/SU0/0@VG200-2>
01/08/2003 17:16:04.269 Cisco CallManager|StationD: 6ad4334 StartTone tone=36
(AlertingTone), direction=0.|<CLID::ctrieu-sunpc-Cluster><NID::171.69.85.107>
<CT::1,100,53,1.41815><IP::172.16.13.169><DEV::AALN/S1/SU0/0@VG200-2>
01/08/2003 17:16:04.279 Cisco CallManager|<CLID::ctrieu-sunpc-Cluster><NID::171.69.85.107>
<CT::1,100,53,1.41815><MN::Directory Number><MV::1000><DEV::AALN/S1/SU0/0@VG200-2>
01/08/2003 17:16:04.279 Cisco CallManager|StationD - CTI Reason Code: CtiReasonTransferred
Call|<CLID::ctrieu-sunpc-Cluster><NID::171.69.85.107><CT::1,100,53,1.41815>
<IP::172.16.13.169><DEV::AALN/S1/SU0/0@VG200-2>
01/08/2003 17:16:04.279 Cisco CallManager|MGCPHandler send msg SUCCESSFULLY to:
172.16.13.169
DLCX 696 AALN/S1/SU0/0@VG200-2 MGCP 0.1
C: A000000010001b9
I: 39
X: 38
R: L/lu
S:
Q: process,loop
|<CLID::ctrieu-sunpc-Cluster><NID::171.69.85.107><CT::1,100,53,1.41815><IP::172.16.13.169>
<DEV::AALN/S1/SU0/0@VG200-2>
01/08/2003 17:16:04.279 Cisco CallManager|Delete entries from MonitorPartyTable, now this
table has 2 entries|<CLID::ctrieu-sunpc-Cluster><NID::171.69.85.107>
<CT::1,100,53,1.41815><IP::172.16.13.169><DEV::AALN/S1/SU0/0@VG200-2>
01/08/2003 17:16:04.279 Cisco CallManager|Delete entries from TransTable, now this table
has 3 entries|<CLID::ctrieu-sunpc-Cluster><NID::171.69.85.107><CT::1,100,53,1.41815>
<IP::172.16.13.169><DEV::AALN/S1/SU0/0@VG200-2>
01/08/2003 17:16:04.279 Cisco CallManager|Delete entries from CiCcp table, now this table
has 2 entries|<CLID::ctrieu-sunpc-Cluster><NID::171.69.85.107><CT::1,100,53,1.41815>
<IP::172.16.13.169><DEV::AALN/S1/SU0/0@VG200-2>
01/08/2003 17:16:04.279 Cisco CallManager|Locations_releaseBandwidth -- cdccPID=(1.15.223)
no entry.|<CLID::ctrieu-sunpc-Cluster><NID::171.69.85.107>
01/08/2003 17:16:04.289 Cisco CallManager|MGCPHandler received msg from: 172.16.13.169
250 696 OK

P: PS=180, OS=28800, PR=177, OR=28320, PL=0, JI=352, LA=0
|<CLID::ctrieu-sunpc-Cluster><NID::171.69.85.107><CT::1,100,53,1.41817><IP::172.16.13.169>
<DEV::>
01/08/2003 17:16:04.289 Cisco CallManager|MGCPHandler received RESP header w/ transId=696
|<CLID::ctrieu-sunpc-Cluster><NID::171.69.85.107><CT::1,100,53,1.41817>
<IP::172.16.13.169><DEV::>
01/08/2003 17:16:04.289 Cisco CallManager|<CLID::ctrieu-sunpc-Cluster><NID::171.69.85.107>
<CT::1,100,53,1.41817><MN::MGCP endPoint><MV::AALN/S1/SU0/0@VG200-2>
<DEV::AALN/S1/SU0@VG200-2>
01/08/2003 17:16:04.289 Cisco CallManager|MGCPHandler received RESP header w/ transId= 696
FOUND a match for DLCX|<CLID::ctrieu-sunpc-Cluster><NID::171.69.85.107>
<CT::1,100,53,1.41817><IP::172.16.13.169><DEV::AALN/S1/SU0@VG200-2>
01/08/2003 17:16:06.062 Cisco CallManager|CMPProcMon - -----Entered Router Verification|
<CLID::ctrieu-sunpc-Cluster><NID::171.69.85.107>
01/08/2003 17:16:06.062 Cisco CallManager|CMPProcMon - ----Exited Router Verification|
<CLID::ctrieu-sunpc-Cluster><NID::171.69.85.107>
01/08/2003 17:16:06.422 Cisco CallManager|MGCPHandler received msg from: 172.16.13.81
NTFY 11416 *@3660-4 MGCP 0.1
X: 0
O:
|<CLID::ctrieu-sunpc-Cluster><NID::171.69.85.107><CT::1,100,53,1.41818><IP::172.16.13.81>
<DEV::>
01/08/2003 17:16:06.422 Cisco CallManager|<CLID::ctrieu-sunpc-Cluster><NID::171.69.85.107>
<CT::1,100,53,1.41818><MN::MGCP endPoint><MV::*@3660-4><DEV::>
01/08/2003 17:16:06.422 Cisco CallManager|MGCPHandler send msg SUCCESSFULLY to:
172.16.13.81
200 11416
|<CLID::ctrieu-sunpc-Cluster><NID::171.69.85.107><CT::1,100,53,1.41818><IP::172.16.13.81>
<DEV::>
01/08/2003 17:16:06.432 Cisco CallManager|MGCPManager remove recent Incoming transId
11414|<CLID::ctrieu-sunpc-Cluster><NID::171.69.85.107><CT::1,100,53,1.41802>
<IP::172.16.13.81><DEV::>
01/08/2003 17:16:07.313 Cisco CallManager|Insert an entry into CiCcp table, now this table
has 3 entries|<CLID::ctrieu-sunpc-Cluster><NID::171.69.85.107><CT::1,100,53,1.41817>
<IP::172.16.13.169><DEV::AALN/S1/SU0@VG200-2>
01/08/2003 17:16:07.313 Cisco CallManager|Insert an entry into CiCcp table, now this table
has 4 entries|<CLID::ctrieu-sunpc-Cluster><NID::171.69.85.107><CT::1,100,53,1.41817>
<IP::172.16.13.169><DEV::AALN/S1/SU0@VG200-2>
01/08/2003 17:16:07.323 Cisco CallManager|Digit analysis: match(fqcn="7000", cn="7000",
pss="Line1", dd="")|<CLID::ctrieu-sunpc-Cluster><NID::171.69.85.107>
<CT::1,100,53,1.41817><IP::172.16.13.169><DEV::AALN/S1/SU0@VG200-2>
01/08/2003 17:16:07.323 Cisco CallManager|Digit analysis: potentialMatches=
PotentialMatchesExist|<CLID::ctrieu-sunpc-Cluster><NID::171.69.85.107>
<CT::1,100,53,1.41817><IP::172.16.13.169><DEV::AALN/S1/SU0@VG200-2>
01/08/2003 17:16:07.323 Cisco CallManager|MGCPStationD - MGCPOutputStartTone: 24
endpointId=AALN/S1/SU0/0@VG200-2 |<CLID::ctrieu-sunpc-Cluster><NID::171.69.85.107>
<CT::1,100,53,1.41817><IP::172.16.13.169><DEV::AALN/S1/SU0@VG200-2>
01/08/2003 17:16:07.323 Cisco CallManager|MGCPHandler send msg SUCCESSFULLY to:
172.16.13.169
RQNT 697 AALN/S1/SU0/0@VG200-2 MGCP 0.1
X: 39
R: L/hu, D/[0-9ABCD*#]
S: L/dl
Q: process,loop
|<CLID::ctrieu-sunpc-Cluster><NID::171.69.85.107><CT::1,100,53,1.41817><IP::172.16.13.169>
<DEV::AALN/S1/SU0@VG200-2>
01/08/2003 17:16:07.333 Cisco CallManager|MGCPHandler received msg from: 172.16.13.169
200 697 OK
|<CLID::ctrieu-sunpc-Cluster><NID::171.69.85.107><CT::1,100,53,1.41819><IP::172.16.13.169>
<DEV::>
01/08/2003 17:16:07.333 Cisco CallManager|MGCPHandler received RESP header w/ transId=
697|<CLID::ctrieu-sunpc-Cluster><NID::171.69.85.107><CT::1,100,53,1.41819>
<IP::172.16.13.169><DEV::>
01/08/2003 17:16:07.333 Cisco CallManager|<CLID::ctrieu-sunpc-Cluster><NID::171.69.85.107>
<CT::1,100,53,1.41819><MN::MGCP endPoint><MV::AALN/S1/SU0/0@VG200-2>
<DEV::AALN/S1/SU0@VG200-2>

01/08/2003 17:16:07.333 Cisco CallManager|MGCPHandler received RESP header w/ transId= 697
FOUND a match for RQNT|<CLID::ctrieu-sunpc-Cluster><NID::171.69.85.107>
<CT::1,100,53,1.41819><IP::172.16.13.169><DEV::AALN/S1/SU0@VG200-2>
01/08/2003 17:16:07.333 Cisco CallManager|MGCPHandler recv RQNT Ack from 172.16.13.169|
<CLID::ctrieu-sunpc-Cluster><NID::171.69.85.107><CT::1,100,53,1.41819><IP::172.16.13.169>
<DEV::AALN/S1/SU0@VG200-2>
01/08/2003 17:16:07.714 Cisco CallManager|MGCPHandler received msg from: 172.16.13.169
NTFY 18357 AALN/S1/SU0/0@VG200-2 MGCP 0.1
X: 39
O: L/hu
|<CLID::ctrieu-sunpc-Cluster><NID::171.69.85.107><CT::1,100,53,1.41820><IP::172.16.13.169>
<DEV::>
01/08/2003 17:16:07.714 Cisco CallManager|<CLID::ctrieu-sunpc-Cluster><NID::171.69.85.107>
<CT::1,100,53,1.41820><MN::MGCP endPoint><MV::AALN/S1/SU0/0@VG200-2><DEV::>
01/08/2003 17:16:07.724 Cisco CallManager|MGCPHandler send msg SUCCESSFULLY to:
172.16.13.169
200 18357
|<CLID::ctrieu-sunpc-Cluster><NID::171.69.85.107><CT::1,100,53,1.41820><IP::172.16.13.169>
<DEV::AALN/S1/SU0/0@VG200-2>
01/08/2003 17:16:07.724 Cisco CallManager|MGCPHandler send msg SUCCESSFULLY to:
172.16.13.169
RQNT 698 AALN/S1/SU0/0@VG200-2 MGCP 0.1
X: 3a
R: L/hd
S:
Q: process,loop
|<CLID::ctrieu-sunpc-Cluster><NID::171.69.85.107><CT::1,100,53,1.41820><IP::172.16.13.169>
<DEV::AALN/S1/SU0/0@VG200-2>
01/08/2003 17:16:07.734 Cisco CallManager|Delete entries from TransTable, now this table
has 3 entries|<CLID::ctrieu-sunpc-Cluster><NID::171.69.85.107><CT::1,100,53,1.41820>
<IP::172.16.13.169><DEV::AALN/S1/SU0/0@VG200-2>
01/08/2003 17:16:07.734 Cisco CallManager|Delete entries from CiCcp table, now this table
has 2 entries|<CLID::ctrieu-sunpc-Cluster><NID::171.69.85.107><CT::1,100,53,1.41820>
<IP::172.16.13.169><DEV::AALN/S1/SU0/0@VG200-2>
01/08/2003 17:16:07.734 Cisco CallManager|MGCPHandler received msg from: 172.16.13.169
200 698 OK
|<CLID::ctrieu-sunpc-Cluster><NID::171.69.85.107><CT::1,100,53,1.41821><IP::172.16.13.169>
<DEV::>
01/08/2003 17:16:07.734 Cisco CallManager|MGCPHandler received RESP header w/ transId=
698|<CLID::ctrieu-sunpc-Cluster><NID::171.69.85.107><CT::1,100,53,1.41821>
<IP::172.16.13.169><DEV::>
01/08/2003 17:16:07.734 Cisco CallManager|<CLID::ctrieu-sunpc-Cluster><NID::171.69.85.107>
<CT::1,100,53,1.41821><MN::MGCP endPoint><MV::AALN/S1/SU0/0@VG200-2>
<DEV::AALN/S1/SU0@VG200-2>
01/08/2003 17:16:07.734 Cisco CallManager|MGCPHandler received RESP header w/ transId= 698
FOUND a match for RQNT|<CLID::ctrieu-sunpc-Cluster><NID::171.69.85.107>
<CT::1,100,53,1.41821><IP::172.16.13.169><DEV::AALN/S1/SU0@VG200-2>
01/08/2003 17:16:07.734 Cisco CallManager|MGCPHandler recv RQNT Ack from 172.16.13.169|
<CLID::ctrieu-sunpc-Cluster><NID::171.69.85.107><CT::1,100,53,1.41821><IP::172.16.13.169>
<DEV::AALN/S1/SU0@VG200-2>
01/08/2003 17:16:07.734 Cisco CallManager|Locations_releaseBandwidth -- cdccPID=(1.15.226)
no entry.|<CLID::ctrieu-sunpc-Cluster><NID::171.69.85.107>
01/08/2003 17:16:08.064 Cisco CallManager|CMPProcMon - -----Entered Router Verification|
<CLID::ctrieu-sunpc-Cluster><NID::171.69.85.107>
01/08/2003 17:16:08.064 Cisco CallManager|CMPProcMon - ----Exited Router Verification|
<CLID::ctrieu-sunpc-Cluster><NID::171.69.85.107>
01/08/2003 17:16:09.787 Cisco CallManager|StationInit: 6ad4398 SoftKeyEvent softKeyEvent=
11 lineInstance=1 callReference=16777659.|<CLID::ctrieu-sunpc-Cluster>
<NID::171.69.85.107><CT::1,100,93,1.76447><IP::10.17.178.88><DEV::SEP003094C3C1FE>
01/08/2003 17:16:09.787 Cisco CallManager|StationD: 6ad4398 SetSpeakerMode speakermode=1
(On).|<CLID::ctrieu-sunpc-Cluster><NID::171.69.85.107><CT::1,100,93,1.76447>
<IP::10.17.178.88><DEV::SEP003094C3C1FE>
01/08/2003 17:16:09.787 Cisco CallManager|StationD: 6ad4398 ClearNotify.|
<CLID::ctrieu-sunpc-Cluster><NID::171.69.85.107><CT::1,100,93,1.76447><IP::10.17.178.88>
<DEV::SEP003094C3C1FE>
01/08/2003 17:16:09.787 Cisco CallManager|StationD: 6ad4398 SetRinger ringMode=1(RingOff)

. |<CLID::ctrieu-sunpc-Cluster><NID::171.69.85.107><CT::1,100,93,1.76447>
<IP::10.17.178.88><DEV::SEP003094C3C1FE>
01/08/2003 17:16:09.787 Cisco CallManager|StationD: 6ad4398 SetLamp stimulus=9(Line)
stimulusInstance=1 lampMode=2(LampOn). |<CLID::ctrieu-sunpc-Cluster><NID::171.69.85.107>
<CT::1,100,93,1.76447><IP::10.17.178.88><DEV::SEP003094C3C1FE>
01/08/2003 17:16:09.787 Cisco CallManager|StationD: 6ad4398 CallState callState=1
lineInstance=1 callReference=16777659 |<CLID::ctrieu-sunpc-Cluster><NID::171.69.85.107>
<CT::1,100,93,1.76447><IP::10.17.178.88><DEV::SEP003094C3C1FE>
01/08/2003 17:16:09.787 Cisco CallManager|StationD: 6ad4398 ActivateCallPlane
lineInstance=1. |<CLID::ctrieu-sunpc-Cluster><NID::171.69.85.107><CT::1,100,93,1.76447>
<IP::10.17.178.88><DEV::SEP003094C3C1FE>
01/08/2003 17:16:09.797 Cisco CallManager|ConnectionManager - wait_AuConnectRequest
(16777656,16777659): INFORM MEDIA LAYER |<CLID::ctrieu-sunpc-Cluster><NID::171.69.85.107>
<CT::1,100,93,1.76447><IP::10.17.178.88><DEV::SEP003094C3C1FE>
01/08/2003 17:16:09.797 Cisco CallManager|ConnectionManager - storeMediaInfo(16777656):
EXISTING ENTRY DISCOVERED, tail == 1 |<CLID::ctrieu-sunpc-Cluster><NID::171.69.85.107>
<CT::1,100,93,1.76447><IP::10.17.178.88><DEV::SEP003094C3C1FE>
01/08/2003 17:16:09.797 Cisco CallManager|ConnectionManager - storeMediaInfo(16777659):
ADD NEW ENTRY, tail == 2 |<CLID::ctrieu-sunpc-Cluster><NID::171.69.85.107>
<CT::1,100,93,1.76447><IP::10.17.178.88><DEV::SEP003094C3C1FE>
01/08/2003 17:16:09.797 Cisco CallManager|MediaCoordinator - wait_AuConnectRequest() |
<CLID::ctrieu-sunpc-Cluster><NID::171.69.85.107><CT::1,100,93,1.76447><IP::10.17.178.88>
<DEV::SEP003094C3C1FE>
01/08/2003 17:16:09.797 Cisco CallManager|MediaCoordinator - wait_AuConnectRequest -
starting MediaManager w/ existing (0) connections |<CLID::ctrieu-sunpc-Cluster>
<NID::171.69.85.107><CT::1,100,93,1.76447><IP::10.17.178.88><DEV::SEP003094C3C1FE>
01/08/2003 17:16:09.797 Cisco CallManager|MediaCoordinator - wait_AuConnectRequest - new
MediaManager(43,72) started |<CLID::ctrieu-sunpc-Cluster><NID::171.69.85.107>
<CT::1,100,93,1.76447><IP::10.17.178.88><DEV::SEP003094C3C1FE>
01/08/2003 17:16:09.797 Cisco CallManager|MediaManager(72) started |
<CLID::ctrieu-sunpc-Cluster><NID::171.69.85.107><CT::1,100,43,72.1><IP::><DEV::>
01/08/2003 17:16:09.807 Cisco CallManager|MediaManager - wait_AuConnectRequest |
<CLID::ctrieu-sunpc-Cluster><NID::171.69.85.107><CT::1,100,93,1.76447><IP::10.17.178.88>
<DEV::SEP003094C3C1FE>
01/08/2003 17:16:09.807 Cisco CallManager|MediaManager - wait_AuConnectRequest - normal
connection |<CLID::ctrieu-sunpc-Cluster><NID::171.69.85.107><CT::1,100,93,1.76447>
<IP::10.17.178.88><DEV::SEP003094C3C1FE>
01/08/2003 17:16:09.807 Cisco CallManager|MediaManager - wait_AuConnectReply |
<CLID::ctrieu-sunpc-Cluster><NID::171.69.85.107><CT::1,100,93,1.76447><IP::10.17.178.88>
<DEV::SEP003094C3C1FE>
01/08/2003 17:16:09.807 Cisco CallManager|MediaManager - wait_AuConnectReply - received 1
responses, forwarding reply for party1(16777656) and party2(16777659) |
<CLID::ctrieu-sunpc-Cluster><NID::171.69.85.107><CT::1,100,93,1.76447><IP::10.17.178.88>
<DEV::SEP003094C3C1FE>
01/08/2003 17:16:09.807 Cisco CallManager|MediaCoordinator - wait_AuConnectReply |
<CLID::ctrieu-sunpc-Cluster><NID::171.69.85.107><CT::1,100,93,1.76447><IP::10.17.178.88>
<DEV::SEP003094C3C1FE>
01/08/2003 17:16:09.807 Cisco CallManager|ConnectionManager - wait_AuConnectReply
(16777656,16777659) |<CLID::ctrieu-sunpc-Cluster><NID::171.69.85.107>
<CT::1,100,93,1.76447><IP::10.17.178.88><DEV::SEP003094C3C1FE>
01/08/2003 17:16:09.817 Cisco CallManager|StationD: 6ad4398 StopTone. |
<CLID::ctrieu-sunpc-Cluster><NID::171.69.85.107><CT::1,100,10,63.1><IP::><DEV::>
01/08/2003 17:16:09.817 Cisco CallManager|StationD: 6ad4398 OpenReceiveChannel
conferenceID=0 passThruPartyID=1009 millisecondPacketSize=20 compressionType=4
(Media_Payload_G711Ulaw64k) qualifierIn=?. myIP: 58b2110a (10.17.178.88) |
<CLID::ctrieu-sunpc-Cluster><NID::171.69.85.107><CT::1,100,10,63.1><IP::><DEV::>
01/08/2003 17:16:09.817 Cisco CallManager|StationD: 6ad4334 StopTone. |
<CLID::ctrieu-sunpc-Cluster><NID::171.69.85.107><CT::1,100,93,1.76447><IP::10.17.178.88>
<DEV::SEP003094C3C1FE>
01/08/2003 17:16:09.817 Cisco CallManager|StationD: 6ad4334 OpenReceiveChannel
conferenceID=0 passThruPartyID=994 millisecondPacketSize=20 compressionType=4
(Media_Payload_G711Ulaw64k) qualifierIn=?. myIP: f6b2110a (10.17.178.246) |
<CLID::ctrieu-sunpc-Cluster><NID::171.69.85.107><CT::1,100,93,1.76447>
<IP::10.17.178.88><DEV::SEP003094C3C1FE>
01/08/2003 17:16:09.817 Cisco CallManager |<CLID::ctrieu-sunpc-Cluster><NID::171.69.85.107>
<CT::1,100,93,1.76447><MN::Directory Number><MV::1000><DEV::SEP003094C3C1FE>

01/08/2003 17:16:09.817 Cisco CallManager|StationD: 6ad4398 StopTone.|
<CLID::ctrieu-sunpc-Cluster><NID::171.69.85.107><CT::1,100,93,1.76447><IP::10.17.178.88>
<DEV::SEP003094C3C1FE>
01/08/2003 17:16:09.817 Cisco CallManager|StationD: 6ad4398 CallState callState=5
lineInstance=1 callReference=16777659|<CLID::ctrieu-sunpc-Cluster><NID::171.69.85.107>
<CT::1,100,93,1.76447><IP::10.17.178.88><DEV::SEP003094C3C1FE>
01/08/2003 17:16:09.827 Cisco CallManager|StationD: 6ad4398 CallInfo callingPartyName=
' callingParty=1000 cgpnVoiceMailbox= calledPartyName=' calledParty=1001
cdpnVoiceMailbox= originalCalledPartyName=' originalCalledParty=1001
originalCdpnVoiceMailbox= originalCdpnRedirectReason=0 lastRedirectingPartyName=
' lastRedirectingParty=1001 lastRedirectingVoiceMailbox= lastRedirectingReason=0
callType=1(InBound) lineInstance=1 callReference=16777659. version: 3|
<CLID::ctrieu-sunpc-Cluster><NID::171.69.85.107><CT::1,100,93,1.76447>
<IP::10.17.178.88><DEV::SEP003094C3C1FE>
01/08/2003 17:16:09.827 Cisco CallManager|StationD::star_StationOutputCallInfo():
callInfo: CI=16777659, CallingPartyName=, CallingParty=1000, CalledPartyName=,
CalledParty=1001, OriginalCalledPartyName=, OriginalCalledParty=1001,
lastRedirectingPartyName=, lastRedirectingParty=1001|<CLID::ctrieu-sunpc-Cluster>
<NID::171.69.85.107><CT::1,100,93,1.76447><IP::10.17.178.88><DEV::SEP003094C3C1FE>
01/08/2003 17:16:09.827 Cisco CallManager|StationD: 6ad4398 SelectSoftKeys instance=1
reference=16777659 softKeySetIndex=1 validKeyMask=-1.|<CLID::ctrieu-sunpc-Cluster>
<NID::171.69.85.107><CT::1,100,93,1.76447><IP::10.17.178.88><DEV::SEP003094C3C1FE>
01/08/2003 17:16:09.827 Cisco CallManager|StationD: 6ad4398 DisplayPromptStatus
timeOutValue=0 promptStatus='€' content='Connected' lineInstance=1 callReference=16777659
ver=3.|<CLID::ctrieu-sunpc-Cluster><NID::171.69.85.107><CT::1,100,93,1.76447>
<IP::10.17.178.88><DEV::SEP003094C3C1FE>
01/08/2003 17:16:09.827 Cisco CallManager|StationD: 6ad4334 CallInfo callingPartyName=
' callingParty=1000 cgpnVoiceMailbox= calledPartyName=' calledParty=1001
cdpnVoiceMailbox= originalCalledPartyName=' originalCalledParty=
originalCdpnVoiceMailbox= originalCdpnRedirectReason=0 lastRedirectingPartyName='
lastRedirectingParty=1001 lastRedirectingVoiceMailbox= lastRedirectingReason=0
callType=2(OutBound) lineInstance=1 callReference=16777656. version: 3|
<CLID::ctrieu-sunpc-Cluster><NID::171.69.85.107><CT::1,100,93,1.76447>
<IP::10.17.178.88><DEV::SEP003094C3C1FE>
01/08/2003 17:16:09.827 Cisco CallManager|StationD::star_StationOutputCallInfo():
callInfo: CI=16777656, CallingPartyName=, CallingParty=1000, CalledPartyName=,
CalledParty=1001, OriginalCalledPartyName=, OriginalCalledParty=,
lastRedirectingPartyName=, lastRedirectingParty=1001|<CLID::ctrieu-sunpc-Cluster>
<NID::171.69.85.107><CT::1,100,93,1.76447><IP::10.17.178.88><DEV::SEP003094C3C1FE>
01/08/2003 17:16:09.827 Cisco CallManager|StationD: 6ad4334 StopTone.|
<CLID::ctrieu-sunpc-Cluster><NID::171.69.85.107><CT::1,100,93,1.76447><IP::10.17.178.88>
<DEV::SEP003094C3C1FE>
01/08/2003 17:16:09.827 Cisco CallManager|StationInit: 6ad4334 OpenReceiveChannelAck
Status=0, IpAddr=0xf6b2110a, Port=18284, PartyID=994|<CLID::ctrieu-sunpc-Cluster>
<NID::171.69.85.107><CT::1,100,93,1.76448><IP::10.17.178.246><DEV::SEP000AF4083CA6>
01/08/2003 17:16:09.827 Cisco CallManager|StationD: 6ad4398 StartMediaTransmission
conferenceID=0 passThruPartyID=1009 remoteIpAddress=f6b2110a(10.17.178.246)
remotePortNumber=18284 milliSecondPacketSize=20 compressType=4(Media_Payload_G711Ulaw64k)
qualifierOut=?. myIP: 58b2110a (10.17.178.88)|<CLID::ctrieu-sunpc-Cluster>
<NID::171.69.85.107><CT::1,100,93,1.76448><IP::10.17.178.246><DEV::SEP000AF4083CA6>
01/08/2003 17:16:09.827 Cisco CallManager|StationInit: 6ad4398 OpenReceiveChannelAck
Status=0, IpAddr=0x58b2110a, Port=18130, PartyID=1009|<CLID::ctrieu-sunpc-Cluster>
<NID::171.69.85.107><CT::1,100,93,1.76449><IP::10.17.178.88><DEV::SEP003094C3C1FE>
01/08/2003 17:16:09.827 Cisco CallManager|MediaManager - wait_AuConnectInfo|
<CLID::ctrieu-sunpc-Cluster><NID::171.69.85.107><CT::1,100,93,1.76449><IP::10.17.178.88>
<DEV::SEP003094C3C1FE>
01/08/2003 17:16:09.827 Cisco CallManager|MediaManager - wait_AuConnectInfo - received
response, forwarding|<CLID::ctrieu-sunpc-Cluster><NID::171.69.85.107>
<CT::1,100,93,1.76449><IP::10.17.178.88><DEV::SEP003094C3C1FE>
01/08/2003 17:16:09.827 Cisco CallManager|MediaCoordinator - wait_AuConnectInfoInd|
<CLID::ctrieu-sunpc-Cluster><NID::171.69.85.107><CT::1,100,93,1.76449><IP::10.17.178.88>
<DEV::SEP003094C3C1FE>
01/08/2003 17:16:09.827 Cisco CallManager|StationD: 6ad4334 StartMediaTransmission
conferenceID=0 passThruPartyID=994 remoteIpAddress=58b2110a(10.17.178.88)
remotePortNumber=18130 milliSecondPacketSize=20 compressType=4(Media_Payload_G711Ulaw64k)
qualifierOut=?. myIP: f6b2110a (10.17.178.246)|<CLID::ctrieu-sunpc-Cluster>

<NID::171.69.85.107><CT::1,100,93,1.76449><IP::10.17.178.88><DEV::SEP003094C3C1FE>
01/08/2003 17:16:09.837 Cisco CallManager|Locations: adjust: cdcc=222 readjusting
ciA=16777656 ciB=16777659 |<CLID::ctrieu-sunpc-Cluster><NID::171.69.85.107>
<CT::1,100,93,1.76449><IP::10.17.178.88><DEV::SEP003094C3C1FE>
01/08/2003 17:16:09.837 Cisco CallManager|Locations_adjustBandwidth -- cdccPID=(1.15.222)
Orig=Dest=0 no entry for cdcc. No need to adjust.|<CLID::ctrieu-sunpc-Cluster>
<NID::171.69.85.107>
01/08/2003 17:16:10.067 Cisco CallManager|CMPProcMon - -----Entered Router Verification|
<CLID::ctrieu-sunpc-Cluster><NID::171.69.85.107>
01/08/2003 17:16:10.067 Cisco CallManager|CMPProcMon - ----Exited Router Verification|
<CLID::ctrieu-sunpc-Cluster><NID::171.69.85.107>
01/08/2003 17:16:12.060 Cisco CallManager|CMPProcMon - -----Entered Router Verification|
<CLID::ctrieu-sunpc-Cluster><NID::171.69.85.107>
01/08/2003 17:16:12.060 Cisco CallManager|CMPProcMon - ----Exited Router Verification|
<CLID::ctrieu-sunpc-Cluster><NID::171.69.85.107>
01/08/2003 17:16:12.481 Cisco CallManager|StationInit: 6ad4398 OnHook.|
<CLID::ctrieu-sunpc-Cluster><NID::171.69.85.107><CT::1,100,93,1.76450><IP::10.17.178.88>
<DEV::SEP003094C3C1FE>
01/08/2003 17:16:12.481 Cisco CallManager|CTI: RoutePatternToCtiCommandData::findValue():
RP=1001:Line1, bRc=0, T=, #entries=0|<CLID::ctrieu-sunpc-Cluster><NID::171.69.85.107>
01/08/2003 17:16:12.491 Cisco CallManager|StationD: 6ad4398 SetSpeakerMode
speakermode=2(Off).|<CLID::ctrieu-sunpc-Cluster><NID::171.69.85.107>
<CT::1,100,93,1.76450><IP::10.17.178.88><DEV::SEP003094C3C1FE>
01/08/2003 17:16:12.491 Cisco CallManager|StationD: 6ad4398 ClearPromptStatus
lineInstance=1 callReference=16777659.|<CLID::ctrieu-sunpc-Cluster>
<NID::171.69.85.107><CT::1,100,93,1.76450><IP::10.17.178.88><DEV::SEP003094C3C1FE>
01/08/2003 17:16:12.491 Cisco CallManager|StationD: 6ad4398 CallState callState=2
lineInstance=1 callReference=16777659|<CLID::ctrieu-sunpc-Cluster><NID::171.69.85.107>
<CT::1,100,93,1.76450><IP::10.17.178.88><DEV::SEP003094C3C1FE>
01/08/2003 17:16:12.491 Cisco CallManager|StationD: 6ad4398 SelectSoftKeys instance=0
reference=0 softKeySetIndex=0 validKeyMask=7.|<CLID::ctrieu-sunpc-Cluster>
<NID::171.69.85.107><CT::1,100,93,1.76450><IP::10.17.178.88><DEV::SEP003094C3C1FE>
01/08/2003 17:16:12.491 Cisco CallManager|StationD: 6ad4398 DisplayPromptStatus
timeOutValue=0 promptStatus='€' content='Your current options' lineInstance=0
callReference=0 ver=3.|<CLID::ctrieu-sunpc-Cluster><NID::171.69.85.107>
<CT::1,100,93,1.76450><IP::10.17.178.88><DEV::SEP003094C3C1FE>
01/08/2003 17:16:12.491 Cisco CallManager|StationD: 6ad4398 ActivateCallPlane
lineInstance=0.|<CLID::ctrieu-sunpc-Cluster><NID::171.69.85.107><CT::1,100,93,1.76450>
<IP::10.17.178.88><DEV::SEP003094C3C1FE>
01/08/2003 17:16:12.491 Cisco CallManager|StationD: 6ad4398 SetLamp stimulus=9(Line)
stimulusInstance=1 lampMode=1(LampOff).|<CLID::ctrieu-sunpc-Cluster><NID::171.69.85.107>
<CT::1,100,93,1.76450><IP::10.17.178.88><DEV::SEP003094C3C1FE>
01/08/2003 17:16:12.491 Cisco CallManager|StationD: 6ad4398 DefineTimeDate timeDateInfo=?
systemTime=1042074972.|<CLID::ctrieu-sunpc-Cluster><NID::171.69.85.107>
<CT::1,100,93,1.76450><IP::10.17.178.88><DEV::SEP003094C3C1FE>
01/08/2003 17:16:12.491 Cisco CallManager|StationD: 6ad4398 StopTone.|
<CLID::ctrieu-sunpc-Cluster><NID::171.69.85.107><CT::1,100,93,1.76450><IP::10.17.178.88>
<DEV::SEP003094C3C1FE>
01/08/2003 17:16:12.501 Cisco CallManager|ConnectionManager - wait_AuDisconnectRequest
(16777659,16777656): STOP SESSION|<CLID::ctrieu-sunpc-Cluster><NID::171.69.85.107>
<CT::1,100,93,1.76450><IP::10.17.178.88><DEV::SEP003094C3C1FE>
01/08/2003 17:16:12.501 Cisco CallManager|ConnectionManager - storeMediaInfo(16777659):
EXISTING ENTRY DISCOVERED, tail == 2|<CLID::ctrieu-sunpc-Cluster><NID::171.69.85.107>
<CT::1,100,93,1.76450><IP::10.17.178.88><DEV::SEP003094C3C1FE>
01/08/2003 17:16:12.501 Cisco CallManager|ConnectionManager - storeMediaInfo(16777656):
EXISTING ENTRY DISCOVERED, tail == 2|<CLID::ctrieu-sunpc-Cluster><NID::171.69.85.107>
<CT::1,100,93,1.76450><IP::10.17.178.88><DEV::SEP003094C3C1FE>
01/08/2003 17:16:12.501 Cisco CallManager|MediaCoordinator - wait_AuDisconnectRequest|
<CLID::ctrieu-sunpc-Cluster><NID::171.69.85.107><CT::1,100,93,1.76450><IP::10.17.178.88>
<DEV::SEP003094C3C1FE>
01/08/2003 17:16:12.501 Cisco CallManager|MediaCoordinator - wait_AuDisconnectRequest -
sending disconnect to MediaManager(72)|<CLID::ctrieu-sunpc-Cluster><NID::171.69.85.107>
<CT::1,100,93,1.76450><IP::10.17.178.88><DEV::SEP003094C3C1FE>
01/08/2003 17:16:12.501 Cisco CallManager|MediaManager - wait_AuDisconnectRequest|
<CLID::ctrieu-sunpc-Cluster><NID::171.69.85.107><CT::1,100,93,1.76450><IP::10.17.178.88>
<DEV::SEP003094C3C1FE>

01/08/2003 17:16:12.501 Cisco CallManager|MediaManager - wait_AuDisconnectRequest - StopSession sending disconnect to (74,72) and remove connection from list|
<CLID::ctrieu-sunpc-Cluster><NID::171.69.85.107><CT::1,100,93,1.76450><IP::10.17.178.88>
<DEV::SEP003094C3C1FE>

01/08/2003 17:16:12.501 Cisco CallManager|StationD: 6ad4334 CloseReceiveChannel
conferenceID=0 passThruPartyID=994. myIP: f6b2110a (10.17.178.246)|
<CLID::ctrieu-sunpc-Cluster><NID::171.69.85.107><CT::1,100,93,1.76450><IP::10.17.178.88>
<DEV::SEP003094C3C1FE>

01/08/2003 17:16:12.501 Cisco CallManager|StationD: 6ad4334 StopMediaTransmission
conferenceID=0 passThruPartyID=994. myIP: f6b2110a (10.17.178.246)|
<CLID::ctrieu-sunpc-Cluster><NID::171.69.85.107><CT::1,100,93,1.76450><IP::10.17.178.88>
<DEV::SEP003094C3C1FE>

01/08/2003 17:16:12.501 Cisco CallManager|StationD: 6ad4398 CloseReceiveChannel
conferenceID=0 passThruPartyID=1009. myIP: 58b2110a (10.17.178.88)|
<CLID::ctrieu-sunpc-Cluster><NID::171.69.85.107><CT::1,100,93,1.76450><IP::10.17.178.88>
<DEV::SEP003094C3C1FE>

01/08/2003 17:16:12.501 Cisco CallManager|StationD: 6ad4398 StopMediaTransmission
conferenceID=0 passThruPartyID=1009. myIP: 58b2110a (10.17.178.88)|
<CLID::ctrieu-sunpc-Cluster><NID::171.69.85.107><CT::1,100,93,1.76450><IP::10.17.178.88>
<DEV::SEP003094C3C1FE>

01/08/2003 17:16:12.511 Cisco CallManager|MediaManager - wait_AuDisconnectReply|
<CLID::ctrieu-sunpc-Cluster><NID::171.69.85.107><CT::1,100,93,1.76450><IP::10.17.178.88>
<DEV::SEP003094C3C1FE>

01/08/2003 17:16:12.511 Cisco CallManager|MediaManager - wait_AuDisconnectReply - received
all disconnect replies, forwarding a reply for party1(16777659) and party2(16777656)|
<CLID::ctrieu-sunpc-Cluster><NID::171.69.85.107><CT::1,100,93,1.76450><IP::10.17.178.88>
<DEV::SEP003094C3C1FE>

01/08/2003 17:16:12.511 Cisco CallManager|MediaCoordinator - wait_AuDisconnectReply|
<CLID::ctrieu-sunpc-Cluster><NID::171.69.85.107><CT::1,100,93,1.76450><IP::10.17.178.88>
<DEV::SEP003094C3C1FE>

01/08/2003 17:16:12.511 Cisco CallManager|MediaCoordinator - wait_AuDisconnectReply -
removing MediaManager(72) from connection list|<CLID::ctrieu-sunpc-Cluster>
<NID::171.69.85.107><CT::1,100,93,1.76450><IP::10.17.178.88><DEV::SEP003094C3C1FE>

01/08/2003 17:16:12.511 Cisco CallManager|ConnectionManager - wait_AuDisconnectReply
(16777659,16777656): STOP SESSION|<CLID::ctrieu-sunpc-Cluster><NID::171.69.85.107>
<CT::1,100,93,1.76450><IP::10.17.178.88><DEV::SEP003094C3C1FE>

01/08/2003 17:16:12.511 Cisco CallManager|ConnectionManager - deleteMediaInfoEntry
(16777659): ENTRY DELETED, tail == 1|<CLID::ctrieu-sunpc-Cluster><NID::171.69.85.107>
<CT::1,100,93,1.76450><IP::10.17.178.88><DEV::SEP003094C3C1FE>

01/08/2003 17:16:12.511 Cisco CallManager|ConnectionManager - deleteMediaInfoEntry
(16777656): ENTRY DELETED, tail == 0|<CLID::ctrieu-sunpc-Cluster><NID::171.69.85.107>
<CT::1,100,93,1.76450><IP::10.17.178.88><DEV::SEP003094C3C1FE>

01/08/2003 17:16:12.511 Cisco CallManager|<CLID::ctrieu-sunpc-Cluster><NID::171.69.85.107>
<CT::1,100,93,1.76450><MN::Directory Number><MV::1000><DEV::SEP003094C3C1FE>

01/08/2003 17:16:12.511 Cisco CallManager|CTI: RoutePatternToCtiCommandData::findValue() :
RP=1000:Line1, bRc=0, T=, #entries=0|<CLID::ctrieu-sunpc-Cluster><NID::171.69.85.107>

01/08/2003 17:16:12.511 Cisco CallManager|CTI: RoutePatternToCtiCommandData::findValue() :
RP=1000:Line1, bRc=0, T=, #entries=0|<CLID::ctrieu-sunpc-Cluster><NID::171.69.85.107>

01/08/2003 17:16:12.511 Cisco CallManager|StationCdpc - INFO: clearType=0, mHoldFlag=0,
mMediaConnFlag=1. |<CLID::ctrieu-sunpc-Cluster><NID::171.69.85.107><CT::1,100,93,1.76450>
<IP::10.17.178.88><DEV::SEP003094C3C1FE>

01/08/2003 17:16:12.511 Cisco CallManager|StationCdpc - INFO: NormalClear. |
<CLID::ctrieu-sunpc-Cluster><NID::171.69.85.107><CT::1,100,93,1.76450><IP::10.17.178.88>
<DEV::SEP003094C3C1FE>

01/08/2003 17:16:12.511 Cisco CallManager|StationD: 6ad4334 DefineTimeDate timeDateInfo=?
systemTime=1042074972. |<CLID::ctrieu-sunpc-Cluster><NID::171.69.85.107>
<CT::1,100,93,1.76450><IP::10.17.178.88><DEV::SEP003094C3C1FE>

01/08/2003 17:16:12.521 Cisco CallManager|StationD: 6ad4334 SetSpeakerMode
speakermode=2(Off). |<CLID::ctrieu-sunpc-Cluster><NID::171.69.85.107>
<CT::1,100,93,1.76450><IP::10.17.178.88><DEV::SEP003094C3C1FE>

01/08/2003 17:16:12.521 Cisco CallManager|StationD: 6ad4334 ClearPromptStatus
lineInstance=1 callReference=16777656. |<CLID::ctrieu-sunpc-Cluster>
<NID::171.69.85.107><CT::1,100,93,1.76450><IP::10.17.178.88><DEV::SEP003094C3C1FE>

01/08/2003 17:16:12.521 Cisco CallManager|StationD: 6ad4334 CallState callState=2
lineInstance=1 callReference=16777656 |<CLID::ctrieu-sunpc-Cluster><NID::171.69.85.107>
<CT::1,100,93,1.76450><IP::10.17.178.88><DEV::SEP003094C3C1FE>

01/08/2003 17:16:12.521 Cisco CallManager|StationD: 6ad4334 SelectSoftKeys instance=0
reference=0 softKeySetIndex=0 validKeyMask=7. |<CLID::ctrieu-sunpc-Cluster>
<NID::171.69.85.107><CT::1,100,93,1.76450><IP::10.17.178.88><DEV::SEP003094C3C1FE>
01/08/2003 17:16:12.521 Cisco CallManager|StationD: 6ad4334 DisplayPromptStatus
timeOutValue=0 promptStatus='€' content='Your current options' lineInstance=0
callReference=0 ver=3. |<CLID::ctrieu-sunpc-Cluster><NID::171.69.85.107>
<CT::1,100,93,1.76450><IP::10.17.178.88><DEV::SEP003094C3C1FE>
01/08/2003 17:16:12.521 Cisco CallManager|StationD: 6ad4334 ActivateCallPlane
lineInstance=0. |<CLID::ctrieu-sunpc-Cluster><NID::171.69.85.107><CT::1,100,93,1.76450>
<IP::10.17.178.88><DEV::SEP003094C3C1FE>
01/08/2003 17:16:12.521 Cisco CallManager|StationD: 6ad4334 SetLamp stimulus=9(Line)
stimulusInstance=1 lampMode=1(LampOff). |<CLID::ctrieu-sunpc-Cluster><NID::171.69.85.107>
<CT::1,100,93,1.76450><IP::10.17.178.88><DEV::SEP003094C3C1FE>
01/08/2003 17:16:12.521 Cisco CallManager|StationD: 6ad4334 DefineTimeDate timeDateInfo=?
systemTime=1042074972. |<CLID::ctrieu-sunpc-Cluster><NID::171.69.85.107>
<CT::1,100,93,1.76450><IP::10.17.178.88><DEV::SEP003094C3C1FE>
01/08/2003 17:16:12.521 Cisco CallManager|StationD: 6ad4334 StopTone. |
<CLID::ctrieu-sunpc-Cluster><NID::171.69.85.107><CT::1,100,93,1.76450><IP::10.17.178.88>
<DEV::SEP003094C3C1FE>
01/08/2003 17:16:12.521 Cisco CallManager|Delete entries from MonitorPartyTable, now this
table has 1 entries |<CLID::ctrieu-sunpc-Cluster><NID::171.69.85.107>
<CT::1,100,93,1.76450><IP::10.17.178.88><DEV::SEP003094C3C1FE>
01/08/2003 17:16:12.521 Cisco CallManager|Delete entries from MonitorPartyTable, now this
table has 0 entries |<CLID::ctrieu-sunpc-Cluster><NID::171.69.85.107>
<CT::1,100,93,1.76450><IP::10.17.178.88><DEV::SEP003094C3C1FE>
01/08/2003 17:16:12.521 Cisco CallManager|Delete entries from TransTable, now this table
has 3 entries |<CLID::ctrieu-sunpc-Cluster><NID::171.69.85.107><CT::1,100,93,1.76450>
<IP::10.17.178.88><DEV::SEP003094C3C1FE>
01/08/2003 17:16:12.521 Cisco CallManager|Delete entries from CiCcp table, now this table
has 0 entries |<CLID::ctrieu-sunpc-Cluster><NID::171.69.85.107><CT::1,100,93,1.76450>
<IP::10.17.178.88><DEV::SEP003094C3C1FE>
01/08/2003 17:16:12.531 Cisco CallManager|Locations_releaseBandwidth -- cdccPID=(1.15.222)
no entry. |<CLID::ctrieu-sunpc-Cluster><NID::171.69.85.107>
01/08/2003 17:16:14.063 Cisco CallManager|CMPProcMon - -----Entered Router Verification |
<CLID::ctrieu-sunpc-Cluster><NID::171.69.85.107>
01/08/2003 17:16:14.063 Cisco CallManager|CMPProcMon - ----Exited Router Verification |
<CLID::ctrieu-sunpc-Cluster><NID::171.69.85.107>
01/08/2003 17:16:16.066 Cisco CallManager|CMPProcMon - -----Entered Router Verification |
<CLID::ctrieu-sunpc-Cluster><NID::171.69.85.107>
01/08/2003 17:16:16.066 Cisco CallManager|CMPProcMon - ----Exited Router Verification |
<CLID::ctrieu-sunpc-Cluster><NID::171.69.85.107>
01/08/2003 17:16:18.069 Cisco CallManager|CMPProcMon - -----Entered Router Verification |
<CLID::ctrieu-sunpc-Cluster><NID::171.69.85.107>
01/08/2003 17:16:18.069 Cisco CallManager|CMPProcMon - ----Exited Router Verification |
<CLID::ctrieu-sunpc-Cluster><NID::171.69.85.107>
01/08/2003 17:16:20.072 Cisco CallManager|CMPProcMon - -----Entered Router Verification |
<CLID::ctrieu-sunpc-Cluster><NID::171.69.85.107>
01/08/2003 17:16:20.072 Cisco CallManager|CMPProcMon - ----Exited Router Verification |
<CLID::ctrieu-sunpc-Cluster><NID::171.69.85.107>
01/08/2003 17:16:21.424 Cisco CallManager|MGCPHandler received msg from: 172.16.13.81
NTFY 11417 *@3660-4 MGCP 0.1
X: 0
O:
|<CLID::ctrieu-sunpc-Cluster><NID::171.69.85.107><CT::1,100,53,1.41822><IP::172.16.13.81>
<DEV::>
01/08/2003 17:16:21.424 Cisco CallManager|<CLID::ctrieu-sunpc-Cluster><NID::171.69.85.107>
<CT::1,100,53,1.41822><MN::MGCP endPoint><MV::*@3660-4><DEV::>
01/08/2003 17:16:21.424 Cisco CallManager|MGCPHandler send msg SUCCESSFULLY to:
172.16.13.81
200 11417
|<CLID::ctrieu-sunpc-Cluster><NID::171.69.85.107><CT::1,100,53,1.41822><IP::172.16.13.81>
<DEV::>
01/08/2003 17:16:21.434 Cisco CallManager|MGCPManager remove recent Incoming transId
11415 |<CLID::ctrieu-sunpc-Cluster><NID::171.69.85.107><CT::1,100,53,1.41804>
<IP::172.16.13.81><DEV::>
01/08/2003 17:16:22.075 Cisco CallManager|CMPProcMon - -----Entered Router Verification |

<CLID::ctrieu-sunpc-Cluster><NID::171.69.85.107>
01/08/2003 17:16:22.075 Cisco CallManager|CMPProcMon - ----Exited Router Verification|
<CLID::ctrieu-sunpc-Cluster><NID::171.69.85.107>
01/08/2003 17:16:22.726 Cisco CallManager|MGCPHandler received msg from: 172.16.13.169
NTFY 18358 *@VG200-2 MGCP 0.1
X: 0
O:
|<CLID::ctrieu-sunpc-Cluster><NID::171.69.85.107><CT::1,100,53,1.41823><IP::172.16.13.169>
<DEV::>
01/08/2003 17:16:22.726 Cisco CallManager|<CLID::ctrieu-sunpc-Cluster><NID::171.69.85.107>
<CT::1,100,53,1.41823><MN::MGCP endPoint><MV::*@VG200-2><DEV::>
01/08/2003 17:16:22.736 Cisco CallManager|MGCPHandler send msg SUCCESSFULLY to:
172.16.13.169
200 18358
|<CLID::ctrieu-sunpc-Cluster><NID::171.69.85.107><CT::1,100,53,1.41823><IP::172.16.13.169>
<DEV::>
01/08/2003 17:16:22.816 Cisco CallManager|Db - Getting Host by Name. IP Name = 2620vgw|
<CLID::ctrieu-sunpc-Cluster><NID::171.69.85.107><CT::1,100,68,1.1><IP::><DEV::>
01/08/2003 17:16:24.078 Cisco CallManager|CMPProcMon - -----Entered Router Verification|
<CLID::ctrieu-sunpc-Cluster><NID::171.69.85.107>
01/08/2003 17:16:24.078 Cisco CallManager|CMPProcMon - ----Exited Router Verification|
<CLID::ctrieu-sunpc-Cluster><NID::171.69.85.107>
01/08/2003 17:16:25.099 Cisco CallManager|Db - Timeout! Host could not be found by name
given. Device Name = 2620vgw|<CLID::ctrieu-sunpc-Cluster><NID::171.69.85.107>
<CT::1,100,68,1.1><IP::><DEV::>
01/08/2003 17:16:26.081 Cisco CallManager|CMPProcMon - -----Entered Router Verification|
<CLID::ctrieu-sunpc-Cluster><NID::171.69.85.107>
01/08/2003 17:16:26.081 Cisco CallManager|CMPProcMon - ----Exited Router Verification|
<CLID::ctrieu-sunpc-Cluster><NID::171.69.85.107>
01/08/2003 17:16:26.181 Cisco CallManager|MGCPManager remove recent Incoming transId
18351|<CLID::ctrieu-sunpc-Cluster><NID::171.69.85.107><CT::1,100,53,1.41805>
<IP::172.16.13.169><DEV::>
01/08/2003 17:16:27.212 Cisco CallManager|StationInit - InboundStim - KeepAliveMessage -
Send KeepAlive to Device Controller. DeviceName=SEP003094C3C1FE, TCPHandle=0x6ad4398,
Socket=0x800, IPAddr=10.17.178.88, Port=50826, Device Controller=[1,92,22]|
<CLID::ctrieu-sunpc-Cluster><NID::171.69.85.107><CT::1,100,93,1.76451><IP::10.17.178.88>
<DEV::SEP003094C3C1FE>
01/08/2003 17:16:27.212 Cisco CallManager|StationInit: 6ad4398 KeepAliveAck.|
<CLID::ctrieu-sunpc-Cluster><NID::171.69.85.107><CT::1,100,93,1.76451><IP::10.17.178.88>
<DEV::SEP003094C3C1FE>
01/08/2003 17:16:28.094 Cisco CallManager|CMPProcMon - -----Entered Router Verification|
<CLID::ctrieu-sunpc-Cluster><NID::171.69.85.107>
01/08/2003 17:16:28.094 Cisco CallManager|CMPProcMon - ----Exited Router Verification|
<CLID::ctrieu-sunpc-Cluster><NID::171.69.85.107>
01/08/2003 17:16:28.354 Cisco CallManager|StationInit - InboundStim - KeepAliveMessage -
Send KeepAlive to Device Controller. DeviceName=MTP_ctrieu-sunp, TCPHandle=0x6ad426c,
Socket=0x70c, IPAddr=171.69.85.107, Port=2377, Device Controller=[1,46,2]|
<CLID::ctrieu-sunpc-Cluster><NID::171.69.85.107><CT::1,100,93,1.76452><IP::171.69.85.107>
<DEV::MTP_ctrieu-sunp>
01/08/2003 17:16:28.354 Cisco CallManager|StationInit: 6ad426c KeepAliveAck.|
<CLID::ctrieu-sunpc-Cluster><NID::171.69.85.107><CT::1,100,93,1.76452><IP::171.69.85.107>
<DEV::MTP_ctrieu-sunp>
01/08/2003 17:16:29.806 Cisco CallManager|MGCPManager remove recent Incoming transId
18352|<CLID::ctrieu-sunpc-Cluster><NID::171.69.85.107><CT::1,100,53,1.41808>
<IP::172.16.13.169><DEV::>
01/08/2003 17:16:30.097 Cisco CallManager|CMPProcMon - -----Entered Router Verification|
<CLID::ctrieu-sunpc-Cluster><NID::171.69.85.107>
01/08/2003 17:16:30.097 Cisco CallManager|CMPProcMon - ----Exited Router Verification|
<CLID::ctrieu-sunpc-Cluster><NID::171.69.85.107>
01/08/2003 17:16:30.467 Cisco CallManager|StationInit - InboundStim - KeepAliveMessage -
Send KeepAlive to Device Controller. DeviceName=SEP000AF4083CA6, TCPHandle=0x6ad4334,
Socket=0x84c, IPAddr=10.17.178.246, Port=52860, Device Controller=[1,92,17]|
<CLID::ctrieu-sunpc-Cluster><NID::171.69.85.107><CT::1,100,93,1.76453><IP::10.17.178.246>
<DEV::SEP000AF4083CA6>
01/08/2003 17:16:30.467 Cisco CallManager|StationInit: 6ad4334 KeepAliveAck.|
<CLID::ctrieu-sunpc-Cluster><NID::171.69.85.107><CT::1,100,93,1.76453><IP::10.17.178.246>

```
<DEV::SEP000AF4083CA6>
01/08/2003 17:16:31.789 Cisco CallManager|StationInit - InboundStim - KeepAliveMessage -
Send KeepAlive to Device Controller. DeviceName=CFB_ctrieu-sunp, TCPHandle=0x6ad4208,
Socket=0x1e4, IPAddr=171.69.85.107, Port=2389, Device Controller=[1,102,2]|
<CLID::ctrieu-sunpc-Cluster><NID::171.69.85.107><CT::1,100,93,1.76454><IP::171.69.85.107>
<DEV::CFB_ctrieu-sunp>
01/08/2003 17:16:31.789 Cisco CallManager|StationInit: 6ad4208 KeepAliveAck.|
<CLID::ctrieu-sunpc-Cluster><NID::171.69.85.107><CT::1,100,93,1.76454><IP::171.69.85.107>
<DEV::CFB_ctrieu-sunp>
01/08/2003 17:16:32.090 Cisco CallManager|CMPProcMon - -----Entered Router Verification|
<CLID::ctrieu-sunpc-Cluster><NID::171.69.85.107>
01/08/2003 17:16:32.090 Cisco CallManager|CMPProcMon - ----Exited Router Verification|
<CLID::ctrieu-sunpc-Cluster><NID::171.69.85.107>
01/08/2003 17:16:32.200 Cisco CallManager|EnvProcessCdr::wait_CdrFileTimer|
<CLID::ctrieu-sunpc-Cluster><NID::171.69.85.107><CT::1,100,6,1.1><IP::><DEV::>
01/08/2003 17:16:32.200 Cisco CallManager|EnvProcessCdr::closeCdrFile|
<CLID::ctrieu-sunpc-Cluster><NID::171.69.85.107><CT::1,100,6,1.1><IP::><DEV::>
01/08/2003 17:16:32.200 Cisco CallManager|EnvProcessCdr::closeCmrFile|
<CLID::ctrieu-sunpc-Cluster><NID::171.69.85.107><CT::1,100,6,1.1><IP::><DEV::>
01/08/2003 17:16:33.061 Cisco CallManager|MGCPManager remove recent Incoming transId
18353|<CLID::ctrieu-sunpc-Cluster><NID::171.69.85.107><CT::1,100,53,1.41811>
<IP::172.16.13.169><DEV::>
01/08/2003 17:16:33.402 Cisco CallManager|MGCPManager remove recent Incoming transId
18354|<CLID::ctrieu-sunpc-Cluster><NID::171.69.85.107><CT::1,100,53,1.41813>
<IP::172.16.13.169><DEV::>
01/08/2003 17:16:33.442 Cisco CallManager|StationInit - InboundStim - KeepAliveMessage -
Send KeepAlive to Device Controller. DeviceName=MOH_ctrieu-sunp, TCPHandle=0x6ad42d0,
Socket=0x774, IPAddr=171.69.85.107, Port=2403, Device Controller=[1,69,2]|
<CLID::ctrieu-sunpc-Cluster><NID::171.69.85.107><CT::1,100,93,1.76455><IP::171.69.85.107>
<DEV::MOH_ctrieu-sunp>
01/08/2003 17:16:33.442 Cisco CallManager|StationInit: 6ad42d0 KeepAliveAck.|
<CLID::ctrieu-sunpc-Cluster><NID::171.69.85.107><CT::1,100,93,1.76455><IP::171.69.85.107>
<DEV::MOH_ctrieu-sunp>
01/08/2003 17:16:33.782 Cisco CallManager|MGCPManager remove recent Incoming transId
18355|<CLID::ctrieu-sunpc-Cluster><NID::171.69.85.107><CT::1,100,53,1.41814>
<IP::172.16.13.169><DEV::>
01/08/2003 17:16:34.093 Cisco CallManager|CMPProcMon - -----Entered Router Verification|
<CLID::ctrieu-sunpc-Cluster><NID::171.69.85.107>
01/08/2003 17:16:34.093 Cisco CallManager|CMPProcMon - ----Exited Router Verification|
<CLID::ctrieu-sunpc-Cluster><NID::171.69.85.107>
01/08/2003 17:16:34.183 Cisco CallManager|MGCPManager remove recent Incoming transId
18356|<CLID::ctrieu-sunpc-Cluster><NID::171.69.85.107><CT::1,100,53,1.41815>
<IP::172.16.13.169><DEV::>
01/08/2003 17:16:36.095 Cisco CallManager|CMPProcMon - -----Entered Router Verification|
<CLID::ctrieu-sunpc-Cluster><NID::171.69.85.107>
01/08/2003 17:16:36.095 Cisco CallManager|CMPProcMon - ----Exited Router Verification|
<CLID::ctrieu-sunpc-Cluster><NID::171.69.85.107>
01/08/2003 17:16:36.416 Cisco CallManager|MGCPHandler received msg from: 172.16.13.81
NTFY 11418 *@3660-4 MGCP 0.1
X: 0
O:
|<CLID::ctrieu-sunpc-Cluster><NID::171.69.85.107><CT::1,100,53,1.41824><IP::172.16.13.81>
<DEV::>
01/08/2003 17:16:36.416 Cisco CallManager|<CLID::ctrieu-sunpc-Cluster><NID::171.69.85.107>
<CT::1,100,53,1.41824><MN::MGCP endPoint><MV::*@3660-4><DEV::>
01/08/2003 17:16:36.426 Cisco CallManager|MGCPManager remove recent Incoming transId
11416|<CLID::ctrieu-sunpc-Cluster><NID::171.69.85.107><CT::1,100,53,1.41818>
<IP::172.16.13.81><DEV::>
01/08/2003 17:16:36.426 Cisco CallManager|MGCPHandler send msg SUCCESSFULLY to:
172.16.13.81
200 11418
|<CLID::ctrieu-sunpc-Cluster><NID::171.69.85.107><CT::1,100,53,1.41824><IP::172.16.13.81>
<DEV::>
01/08/2003 17:16:37.728 Cisco CallManager|MGCPManager remove recent Incoming transId
18357|<CLID::ctrieu-sunpc-Cluster><NID::171.69.85.107><CT::1,100,53,1.41820>
<IP::172.16.13.169><DEV::>
```

01/08/2003 17:16:37.738 Cisco CallManager|MGCPHandler received msg from: 172.16.13.169
NTFY 18359 *@VG200-2 MGCP 0.1
X: 0
O:
|<CLID::ctrieu-sunpc-Cluster><NID::171.69.85.107><CT::1,100,53,1.41825><IP::172.16.13.169>
<DEV::>
01/08/2003 17:16:37.738 Cisco CallManager|<CLID::ctrieu-sunpc-Cluster><NID::171.69.85.107>
<CT::1,100,53,1.41825><MN::MGCP endPoint><MV::*@VG200-2><DEV::>
01/08/2003 17:16:37.738 Cisco CallManager|MGCPHandler send msg SUCCESSFULLY to:
172.16.13.169
200 18359
|<CLID::ctrieu-sunpc-Cluster><NID::171.69.85.107><CT::1,100,53,1.41825><IP::172.16.13.169>
<DEV::>
01/08/2003 17:16:38.098 Cisco CallManager|CMPProcMon - -----Entered Router Verification|
<CLID::ctrieu-sunpc-Cluster><NID::171.69.85.107>
01/08/2003 17:16:38.098 Cisco CallManager|CMPProcMon - ----Exited Router Verification|
<CLID::ctrieu-sunpc-Cluster><NID::171.69.85.107>
01/08/2003 17:16:40.101 Cisco CallManager|CMPProcMon - -----Entered Router Verification|
<CLID::ctrieu-sunpc-Cluster><NID::171.69.85.107>
01/08/2003 17:16:40.101 Cisco CallManager|CMPProcMon - ----Exited Router Verification|
<CLID::ctrieu-sunpc-Cluster><NID::171.69.85.107>
01/08/2003 17:16:42.104 Cisco CallManager|CMPProcMon - -----Entered Router Verification|
<CLID::ctrieu-sunpc-Cluster><NID::171.69.85.107>
01/08/2003 17:16:42.104 Cisco CallManager|CMPProcMon - ----Exited Router Verification|
<CLID::ctrieu-sunpc-Cluster><NID::171.69.85.107>
01/08/2003 17:16:44.107 Cisco CallManager|CMPProcMon - -----Entered Router Verification|
<CLID::ctrieu-sunpc-Cluster><NID::171.69.85.107>
01/08/2003 17:16:44.107 Cisco CallManager|CMPProcMon - ----Exited Router Verification|
<CLID::ctrieu-sunpc-Cluster><NID::171.69.85.107>
01/08/2003 17:16:46.100 Cisco CallManager|CMPProcMon - -----Entered Router Verification|
<CLID::ctrieu-sunpc-Cluster><NID::171.69.85.107>
01/08/2003 17:16:46.100 Cisco CallManager|CMPProcMon - ----Exited Router Verification|
<CLID::ctrieu-sunpc-Cluster><NID::171.69.85.107>
01/08/2003 17:16:48.113 Cisco CallManager|CMPProcMon - -----Entered Router Verification|
<CLID::ctrieu-sunpc-Cluster><NID::171.69.85.107>
01/08/2003 17:16:48.113 Cisco CallManager|CMPProcMon - ----Exited Router Verification|
<CLID::ctrieu-sunpc-Cluster><NID::171.69.85.107>
01/08/2003 17:16:50.116 Cisco CallManager|CMPProcMon - -----Entered Router Verification|
<CLID::ctrieu-sunpc-Cluster><NID::171.69.85.107>
01/08/2003 17:16:50.116 Cisco CallManager|CMPProcMon - ----Exited Router Verification|
<CLID::ctrieu-sunpc-Cluster><NID::171.69.85.107>
01/08/2003 17:16:51.418 Cisco CallManager|MGCPHandler received msg from: 172.16.13.81
NTFY 11419 *@3660-4 MGCP 0.1
X: 0
O:
|<CLID::ctrieu-sunpc-Cluster><NID::171.69.85.107><CT::1,100,53,1.41826><IP::172.16.13.81>
<DEV::>
01/08/2003 17:16:51.418 Cisco CallManager|<CLID::ctrieu-sunpc-Cluster><NID::171.69.85.107>
<CT::1,100,53,1.41826><MN::MGCP endPoint><MV::*@3660-4><DEV::>
01/08/2003 17:16:51.418 Cisco CallManager|MGCPManager remove recent Incoming transId
11417|<CLID::ctrieu-sunpc-Cluster><NID::171.69.85.107><CT::1,100,53,1.41822>
<IP::172.16.13.81><DEV::>
01/08/2003 17:16:51.418 Cisco CallManager|MGCPHandler send msg SUCCESSFULLY to:
172.16.13.81
200 11419
|<CLID::ctrieu-sunpc-Cluster><NID::171.69.85.107><CT::1,100,53,1.41826><IP::172.16.13.81>
<DEV::>
01/08/2003 17:16:52.109 Cisco CallManager|CMPProcMon - -----Entered Router Verification|
<CLID::ctrieu-sunpc-Cluster><NID::171.69.85.107>
01/08/2003 17:16:52.109 Cisco CallManager|CMPProcMon - ----Exited Router Verification|
<CLID::ctrieu-sunpc-Cluster><NID::171.69.85.107>
01/08/2003 17:16:52.740 Cisco CallManager|MGCPHandler received msg from: 172.16.13.169
NTFY 18360 *@VG200-2 MGCP 0.1
X: 0
O:
|<CLID::ctrieu-sunpc-Cluster><NID::171.69.85.107><CT::1,100,53,1.41827><IP::172.16.13.169>

<DEV::>
01/08/2003 17:16:52.740 Cisco CallManager|<CLID::ctrieu-sunpc-Cluster><NID::171.69.85.107>
<CT::1,100,53,1.41827><MN::MGCP_EndPoint><MV::*@VG200-2><DEV::>
01/08/2003 17:16:52.740 Cisco CallManager|MGCPHandler send msg SUCCESSFULLY to:
172.16.13.169
200 18360
|<CLID::ctrieu-sunpc-Cluster><NID::171.69.85.107><CT::1,100,53,1.41827><IP::172.16.13.169>
<DEV::>
01/08/2003 17:16:52.750 Cisco CallManager|MGCPManager remove recent Incoming transId
18358|<CLID::ctrieu-sunpc-Cluster><NID::171.69.85.107><CT::1,100,53,1.41823>
<IP::172.16.13.169><DEV::>
01/08/2003 17:16:54.112 Cisco CallManager|CMPProcMon - -----Entered Router Verification|
<CLID::ctrieu-sunpc-Cluster><NID::171.69.85.107>
01/08/2003 17:16:54.112 Cisco CallManager|CMPProcMon - ----Exited Router Verification|
<CLID::ctrieu-sunpc-Cluster><NID::171.69.85.107>
01/08/2003 17:16:55.213 Cisco CallManager|Db - Getting Host by Name. IP Name = 2620vgw|
<CLID::ctrieu-sunpc-Cluster><NID::171.69.85.107><CT::1,100,68,1.1><IP::><DEV::>
01/08/2003 17:16:56.125 Cisco CallManager|CMPProcMon - -----Entered Router Verification|
<CLID::ctrieu-sunpc-Cluster><NID::171.69.85.107>
01/08/2003 17:16:56.125 Cisco CallManager|CMPProcMon - ----Exited Router Verification|
<CLID::ctrieu-sunpc-Cluster><NID::171.69.85.107>
01/08/2003 17:16:57.216 Cisco CallManager|StationInit - InboundStim - KeepAliveMessage -
Send KeepAlive to Device Controller. DeviceName=SEP003094C3C1FE, TCPHandle=0x6ad4398,
Socket=0x800, IPAddr=10.17.178.88, Port=50826, Device Controller=[1,92,22]|
<CLID::ctrieu-sunpc-Cluster><NID::171.69.85.107><CT::1,100,93,1.76456><IP::10.17.178.88>
<DEV::SEP003094C3C1FE>
01/08/2003 17:16:57.216 Cisco CallManager|StationInit: 6ad4398 KeepAliveAck. |
<CLID::ctrieu-sunpc-Cluster><NID::171.69.85.107><CT::1,100,93,1.76456><IP::10.17.178.88>
<DEV::SEP003094C3C1FE>
01/08/2003 17:16:57.497 Cisco CallManager|Db - Timeout! Host could not be found by name
given. Device Name = 2620vgw|<CLID::ctrieu-sunpc-Cluster><NID::171.69.85.107>
<CT::1,100,68,1.1><IP::><DEV::>
01/08/2003 17:16:58.128 Cisco CallManager|CMPProcMon - -----Entered Router Verification|
<CLID::ctrieu-sunpc-Cluster><NID::171.69.85.107>
01/08/2003 17:16:58.128 Cisco CallManager|CMPProcMon - ----Exited Router Verification|
<CLID::ctrieu-sunpc-Cluster><NID::171.69.85.107>
01/08/2003 17:16:58.538 Cisco CallManager|StationInit - InboundStim - KeepAliveMessage -
Send KeepAlive to Device Controller. DeviceName=MTP_ctrieu-sunpc, TCPHandle=0x6ad426c,
Socket=0x70c, IPAddr=171.69.85.107, Port=2377, Device Controller=[1,46,2]|
<CLID::ctrieu-sunpc-Cluster><NID::171.69.85.107><CT::1,100,93,1.76457><IP::171.69.85.107>
<DEV::MTP_ctrieu-sunpc>
01/08/2003 17:16:58.538 Cisco CallManager|StationInit: 6ad426c KeepAliveAck. |
<CLID::ctrieu-sunpc-Cluster><NID::171.69.85.107><CT::1,100,93,1.76457><IP::171.69.85.107>
<DEV::MTP_ctrieu-sunpc>
01/08/2003 17:17:00.141 Cisco CallManager|CMPProcMon - -----Entered Router Verification|
<CLID::ctrieu-sunpc-Cluster><NID::171.69.85.107>
01/08/2003 17:17:00.161 Cisco CallManager|CMPProcMon - ----Exited Router Verification|
<CLID::ctrieu-sunpc-Cluster><NID::171.69.85.107>
01/08/2003 17:17:00.471 Cisco CallManager|StationInit - InboundStim - KeepAliveMessage -
Send KeepAlive to Device Controller. DeviceName=SEP000AF4083CA6, TCPHandle=0x6ad4334,
Socket=0x84c, IPAddr=10.17.178.246, Port=52860, Device Controller=[1,92,17]|
<CLID::ctrieu-sunpc-Cluster><NID::171.69.85.107><CT::1,100,93,1.76458><IP::10.17.178.246>
<DEV::SEP000AF4083CA6>
01/08/2003 17:17:00.471 Cisco CallManager|StationInit: 6ad4334 KeepAliveAck. |
<CLID::ctrieu-sunpc-Cluster><NID::171.69.85.107><CT::1,100,93,1.76458><IP::10.17.178.246>
<DEV::SEP000AF4083CA6>
01/08/2003 17:17:01.993 Cisco CallManager|StationInit - InboundStim - KeepAliveMessage -
Send KeepAlive to Device Controller. DeviceName=CFB_ctrieu-sunpc, TCPHandle=0x6ad4208,
Socket=0x1e4, IPAddr=171.69.85.107, Port=2389, Device Controller=[1,102,2]|
<CLID::ctrieu-sunpc-Cluster><NID::171.69.85.107><CT::1,100,93,1.76459><IP::171.69.85.107>
<DEV::CFB_ctrieu-sunpc>
01/08/2003 17:17:01.993 Cisco CallManager|StationInit: 6ad4208 KeepAliveAck. |
<CLID::ctrieu-sunpc-Cluster><NID::171.69.85.107><CT::1,100,93,1.76459><IP::171.69.85.107>
<DEV::CFB_ctrieu-sunpc>
01/08/2003 17:17:02.164 Cisco CallManager|CMPProcMon - -----Entered Router Verification|
<CLID::ctrieu-sunpc-Cluster><NID::171.69.85.107>

01/08/2003 17:17:02.164 Cisco CallManager|CMPProcMon - ----Exited Router Verification|
<CLID::ctrieu-sunpc-Cluster><NID::171.69.85.107>
01/08/2003 17:17:03.606 Cisco CallManager|StationInit - InboundStim - KeepAliveMessage -
Send KeepAlive to Device Controller. DeviceName=MOH_ctrieu-sunp, TCPHandle=0x6ad42d0,
Socket=0x774, IPAddr=171.69.85.107, Port=2403, Device Controller=[1,69,2]|
<CLID::ctrieu-sunpc-Cluster><NID::171.69.85.107><CT::1,100,93,1.76460><IP::171.69.85.107>
<DEV::MOH_ctrieu-sunp>
01/08/2003 17:17:03.606 Cisco CallManager|StationInit: 6ad42d0 KeepAliveAck.|
<CLID::ctrieu-sunpc-Cluster><NID::171.69.85.107><CT::1,100,93,1.76460><IP::171.69.85.107>
<DEV::MOH_ctrieu-sunp>
01/08/2003 17:17:04.167 Cisco CallManager|CMPProcMon - -----Entered Router Verification|
<CLID::ctrieu-sunpc-Cluster><NID::171.69.85.107>
01/08/2003 17:17:04.167 Cisco CallManager|CMPProcMon - ----Exited Router Verification|
<CLID::ctrieu-sunpc-Cluster><NID::171.69.85.107>
01/08/2003 17:17:06.169 Cisco CallManager|CMPProcMon - -----Entered Router Verification|
<CLID::ctrieu-sunpc-Cluster><NID::171.69.85.107>
01/08/2003 17:17:06.169 Cisco CallManager|CMPProcMon - ----Exited Router Verification|
<CLID::ctrieu-sunpc-Cluster><NID::171.69.85.107>
01/08/2003 17:17:06.420 Cisco CallManager|MGCPHandler received msg from: 172.16.13.81
NTFY 11420 *@3660-4 MGCP 0.1
X: 0
O:
|<CLID::ctrieu-sunpc-Cluster><NID::171.69.85.107><CT::1,100,53,1.41828><IP::172.16.13.81>
<DEV::>
01/08/2003 17:17:06.420 Cisco CallManager|<CLID::ctrieu-sunpc-Cluster><NID::171.69.85.107>
<CT::1,100,53,1.41828><MN::MGCP endPoint><MV::*@3660-4><DEV::>
01/08/2003 17:17:06.420 Cisco CallManager|MGCPHandler send msg SUCCESSFULLY to:
172.16.13.81
200 11420
|<CLID::ctrieu-sunpc-Cluster><NID::171.69.85.107><CT::1,100,53,1.41828><IP::172.16.13.81>
<DEV::>
01/08/2003 17:17:06.450 Cisco CallManager|MGCPManager remove recent Incoming transId
11418|<CLID::ctrieu-sunpc-Cluster><NID::171.69.85.107><CT::1,100,53,1.41824>
<IP::172.16.13.81><DEV::>
01/08/2003 17:17:07.742 Cisco CallManager|MGCPHandler received msg from: 172.16.13.169
NTFY 18361 *@VG200-2 MGCP 0.1
X: 0
O:
|<CLID::ctrieu-sunpc-Cluster><NID::171.69.85.107><CT::1,100,53,1.41829><IP::172.16.13.169>
<DEV::>
01/08/2003 17:17:07.742 Cisco CallManager|<CLID::ctrieu-sunpc-Cluster><NID::171.69.85.107>
<CT::1,100,53,1.41829><MN::MGCP endPoint><MV::*@VG200-2><DEV::>
01/08/2003 17:17:07.742 Cisco CallManager|MGCPHandler send msg SUCCESSFULLY to:
172.16.13.169
200 18361
|<CLID::ctrieu-sunpc-Cluster><NID::171.69.85.107><CT::1,100,53,1.41829><IP::172.16.13.169>
<DEV::>
01/08/2003 17:17:07.752 Cisco CallManager|MGCPManager remove recent Incoming transId
18359|<CLID::ctrieu-sunpc-Cluster><NID::171.69.85.107><CT::1,100,53,1.41825>
<IP::172.16.13.169><DEV::>
01/08/2003 17:17:08.162 Cisco CallManager|CMPProcMon - -----Entered Router Verification|
<CLID::ctrieu-sunpc-Cluster><NID::171.69.85.107>
01/08/2003 17:17:08.162 Cisco CallManager|CMPProcMon - ----Exited Router Verification|
<CLID::ctrieu-sunpc-Cluster><NID::171.69.85.107>
01/08/2003 17:17:10.165 Cisco CallManager|CMPProcMon - -----Entered Router Verification|
<CLID::ctrieu-sunpc-Cluster><NID::171.69.85.107>
01/08/2003 17:17:10.165 Cisco CallManager|CMPProcMon - ----Exited Router Verification|
<CLID::ctrieu-sunpc-Cluster><NID::171.69.85.107>
01/08/2003 17:17:12.168 Cisco CallManager|CMPProcMon - -----Entered Router Verification|
<CLID::ctrieu-sunpc-Cluster><NID::171.69.85.107>
01/08/2003 17:17:12.168 Cisco CallManager|CMPProcMon - ----Exited Router Verification|
<CLID::ctrieu-sunpc-Cluster><NID::171.69.85.107>

=====

Debugs from Failed Calls

This section provides you with an example of a bad hookflash performed by the phone off the FXS voice port.

The basic call flow is as follows:

1. IP phone A (DN is 1000) calls VG200 phone C (DN is 7000) off the voice port 1/0/0.
2. Phone C answers the call and then performs a hookflash with the flash feature button on the phone.
3. VG200 is not able to detect the signal as a hookflash and drops the call.

The reason for this type of failure is that some telephone handsets have a button called flash or recall that sends a timed loop break, or calibrated flash, which is essentially a hookflash that has a precise timing value set. In this example, the timing value exceeded the hookflash-input default time value that is defined for the voice port. Therefore, the router treats the hookflash as on-hook signaling instead and disconnects the call.

Resolution: Issue the **timing hookflash-input milliseconds** command under the voice port setting, in order to increase the hookflash-input value for the voice port. However, there is a drawback to this action. When the FXS port is configured for a long hookflash-input timing value (a value greater than 500 msec), users may find that, when they hang up and immediately pick up the handset, the call has not cleared. In this case, the handset has to be left on the hook for a longer period to clear the call. If the value is set too low, the hookflash may be interpreted as a hangup. In some cases, cradle bounce can cause problems as well. (As the handset is hung up, the spring tension on the hook button causes multiple short breaks on the line known as cradle bounce.) Sometimes careful tuning of the hookflash-input timing value is needed for best results.

Here is a list of debugs enabled on the router to troubleshoot and debug the capture log file on the router. Only the relevant output from the debugs is shown here. The remainder of the output is the same as the output shown in the Debugs from Successful Calls section of this document.

Note: Some of the output here appears on multiple lines due to space limitations.

```
*Mar 6 00:01:35.733: htsp_process_event: [1/0/0, FXSLS_CONNECT,
E_DSP_SIG_0100]fxsلس_offhook_onhook, HF duration=500

!--- The router detects the on-hook signal from FXS voice port 1/0/0.

*Mar 6 00:01:35.737: htsp_timer - 500 msec
*Mar 6 00:01:36.237: htsp_process_event: [1/0/0, FXSLS_CONNECT, E_HTSP_EVENT_TIMER]
fxsلس_connect_wait_release_req
*Mar 6 00:01:36.237: htsp_timer_stop

!--- Notice that the hookflash-input timer (500 msec) has expired, and the router
!--- still has not seen the off-hook signal, so the call is disconnected.

*Mar 6 00:01:36.237: send_mgcp_msg, MGCP Packet sent ---->
NTFY 29083 AALN/S1/SU0/0@VG200-2 MGCP 0.1

!--- The router notifies Cisco CallManager of this on-hook event detection.

X: f1
O: L/hu
!--- "O: L/hu" indicates that an on-hook event is observed.

<---

*Mar 6 00:01:36.241: MGCP Packet received -
200 29083
```

!--- Cisco CallManager responds back with "200 OK".

*Mar 6 00:01:36.249: **MGCP Packet received -
DLCX 911 AALN/S1/SU0/0@VG200-2 MGCP 0.1**

*!--- The router has received a delete connection
!--- from Cisco CallManager to clear the call.*

C: A00000000100025b

I: 54

X: f2

R: L/hd

*!--- "R: L/hu" is the Cisco CallManager request to be notified if
!--- the router detects off-hook status.*

S:

Q: process,loop

*Mar 6 00:01:36.253: dsp_get_levels: [1/0/0 (229)] packet_len=8 channel_id=1 packet_id=89

*Mar 6 00:01:36.253: vtsp_process_dsp_message: MSG_TX_GET_TX_STAT:
rtp_timestamp=0x314A987A

*Mar 6 00:01:36.253: dsp_idle_mode: [1/0/0 (229)] packet_len=8 channel_id=1 packet_id=68

*Mar 6 00:01:36.257: **htsp_process_event: [1/0/0, FXSLS_WAIT_RELEASE_REQ,
E_HTSP_RELEASE_REQ]fxspls_waitrls_req_rls**

*Mar 6 00:01:36.257: [1/0/0] set signal state = 0x4 timestamp = 0htsp_report_onhook_sig

*Mar 6 00:01:36.257: dsp_cp_tone_off: [1/0/0 (229)] packet_len=8 channel_id=1 packet_id=
71

*Mar 6 00:01:36.257: dsp_idle_mode: [1/0/0 (229)] packet_len=8 channel_id=1 packet_id=68

*Mar 6 00:01:36.257: dsp_close_voice_channel: [1/0/0 (229)] packet_len=8 channel_id=1
packet_id=75

*Mar 6 00:01:36.261: send_mgcp_msg, **MGCP Packet sent --->
250 911 OK**

*!--- The router sends a "250 OK" back
!--- to Cisco CallManager to indicate the connection is deleted.*

P: PS=491, OS=78560, PR=489, OR=78240, PL=0, JI=272, LA=0

<---

*Mar 6 00:01:36.353: **htsp_process_event: [1/0/0, FXSLS_ONHOOK, E_DSP_SIG_1100]
fxspls_onhook_offhook htsp_setup_ind**

*!--- Here is the other half of the hookflash signal, but it is too late.
!--- The router interprets this as a regular off-hook event and plays the dial tone.
!--- Notice the time between the on-hook and off-hook events
!--- (00:01:36.353 - 00:01:35.733 = 620 msec), which exceeds the 500 msec default value.*

*Mar 6 00:01:36.357: [1/0/0] get_local_station_id calling num= calling name=
calling time=00/00 00:00

*Mar 6 00:01:36.361: dsp_close_voice_channel: [1/0/0:231] packet_len=8 channel_id=1
packet_id=75

*Mar 6 00:01:36.361: dsp_open_voice_channel_20: [1/0/0:231] packet_len=16 channel_id=1
packet_id=74 alaw_ulaw_select=0 associated_signaling_channel=0 time_slot=65535
serial_port=65535

*Mar 6 00:01:36.361: dsp_encap_config: [1/0/0:231] packet_len=30 channel_id=1 packet_id=
92

TransportProtocol 2 t_ssrc=0x0 r_ssrc=0x0 t_vpxcc=0x0 r_vpxcc=0x0
sid_support=1, tse_payload=65535, seq_num=0x17EF, redundancy=0

*Mar 6 00:01:36.361: dsp_set_payout_delay

*Mar 6 00:01:36.361: dsp_set_payout: [1/0/0:231] packet_len=18 channel_id=1 packet_id=76

```
mode=1 initial=60 min=40 max=200 fax_nom=300
*Mar 6 00:01:36.361: dsp_set_payout_config: [1/0/0:231] packet_len=18 channel_id=1
packet_id=76 mode=1 initial=60 min=40 max=200 fax_nom=300
*Mar 6 00:01:36.361: dsp_echo_canceler_control: echo_cancel: 1
*Mar 6 00:01:36.365: dsp_echo_canceler_control: [1/0/0:231] echo_cancel 1, disable_hpf 0,
flags=0x0, threshold=-21
*Mar 6 00:01:36.365: dsp_echo_canceler_control: [1/0/0:231] packet_len=14 channel_id=1
packet_id=66 flags=0x0, threshold=-21, suppressor_coverage=7
*Mar 6 00:01:36.365: dsp_idle_code_det: [1/0/0:231] packet_len=14 channel_id=1 packet_id=
116 enable=0, code=0, duration=6000
*Mar 6 00:01:36.365: set_gains: FXx/E&M: msg->message.set_codec_gains.out_gain=65506
*Mar 6 00:01:36.365: dsp_set_gains: [1/0/0:231] packet_len=12 channel_id=1 packet_id=91
in_gain=0 out_gain=65506
*Mar 6 00:01:36.365: dsp_vad_enable: [1/0/0:231] enable: packet_len=16 channel_id=1
packet_id=78 thresh=-38 vadtime=250 aggressive=0
*Mar 6 00:01:36.369: send_mgcp_msg, MGCP Packet sent --->
NTFY 29084 AALN/S1/SU0/0@VG200-2 MGCP 0.1
```

!--- The router notifies Cisco CallManager of the off-hook event.

```
X: f2
O: L/hd
```

<---

```
*Mar 6 00:01:36.369: dsp_encap_config: [1/0/0:231] packet_len=30 channel_id=1 packet_id=
92
TransportProtocol 2 t_ssrc=0x0 r_ssrc=0x0 t_vpxcc=0x0 r_vpxcc=0x0
sid_support=1, tse_payload=65535, seq_num=0x17EF, redundancy=0
*Mar 6 00:01:36.369: dsp_voice_mode: [1/0/0:231] cdb 8127AD60, cdb->codec_params.modem 2,
inband_detect flags 0x21
*Mar 6 00:01:36.373: map_dtmf_relay_type--digit relay mode: 2
*Mar 6 00:01:36.373: dsp_voice_mode: [1/0/0:231] packet_len=24 channel_id=1 packet_id=73
coding_type=1 voice_field_size=160 VAD_flag=0 echo_length=64 comfort_noise=1 inband_
detect=33 digit_relay_mode=2 AGC_flag=0dsp_dtmf_mode(VTSP_TONE_DTMF_MODE)
*Mar 6 00:01:36.373: dsp_dtmf_mode: [1/0/0:231] packet_len=10 channel_id=1 packet_id=65
dtmf_or_mf=0
*Mar 6 00:01:36.373: htsp_process_event: [1/0/0, FXSLS_WAIT_SETUP_ACK, E_HTSP_SETUP_ACK]
*Mar 6 00:01:36.373: htsp_process_event: [1/0/0, FXSLS_OFFHOOK, E_HTSP_CONNECT]
fxsلس_offhook_connect
*Mar 6 00:01:36.373: [1/0/0] set signal state = 0x6 timestamp = 0
*Mar 6 00:01:36.377: MGCP Packet received -
200 29084
```

!--- The router receives the "200 OK" acknowledgement from Cisco CallManager.

```
*Mar 6 00:01:36.389: MGCP Packet received -
RQNT 912 AALN/S1/SU0/0@VG200-2 MGCP 0.1
```

*!--- The router receives request notification to look for an on-hook event
!--- and DTMF digits, and to play the dial tone.*

```
X: f3
R: L/lu, D/[0-9ABCD*#]
```

!--- "R: L/lu, D/[0-9ABCD#]" is the Cisco CallManager request to be notified
!--- when the router line packet detects an on-hook event and any DTMF tones or digits.*

```
S: L/dl
!--- "S: L/dl" indicates that Cisco CallManager sends  
!--- a signal generation request to the router to play the dial tone.
```

```
Q: process,loop
```

```
*Mar 6 00:01:36.393: dsp_idle_mode: [1/0/0:231] packet_len=8 channel_id=1 packet_id=68
*Mar 6 00:01:36.393: dsp_voice_mode: [1/0/0:231] cdb 8127AD60, cdb->codec_params.modem 2,
inband_detect flags 0x421
*Mar 6 00:01:36.393: map_dtmf_relay_type--digit relay mode: 2
*Mar 6 00:01:36.393: dsp_voice_mode: [1/0/0:231] packet_len=24 channel_id=1 packet_id=73
coding_type=1 voice_field_size=160 VAD_flag=0 echo_length=64 comfort_noise=1 inband_
detect=1057 digit_relay_mode=2 AGC_flag=0
*Mar 6 00:01:36.397: htsp_process_event: [1/0/0, FXSLS_CONNECT, E_HTSP_VOICE_CUT_THROUGH]
*Mar 6 00:01:36.397: send_mgcp_msg, MGCP Packet sent ---->
200 912 OK
```

```
!--- The router sends a "200 OK" to acknowledge the request
!--- notification sequence number 912.
```

```
<---
```

```
*Mar 6 00:01:36.397: dsp_cp_tone_off: [1/0/0:231] packet_len=8 channel_id=1 packet_id=71
*Mar 6 00:01:36.397: act_gen_tone: Tone Dial generated in direction Network,
stop_tone_on_digit = TRUE
```

```
!--- The router plays the dial tone to the user off FXS voice port 1/0/0.
```

```
*Mar 6 00:01:36.397: dsp_cp_tone_on: [1/0/0:231] packet_len=38 channel_id=1 packet_id=72
tone_id=4 n_freq=2 freq_of_first=350 freq_of_second=440 amp_of_first=6942 amp_of_second=
6942 direction=1 on_time_first=65535 off_time_first=0 on_time_second=0 off_time_second=0
VG200-2#
```

```
*Mar 6 00:01:41.413: htsp_process_event: [1/0/0, FXSLS_CONNECT, E_DSP_SIG_0100]
fxspls_offhook_onhook, HF duration=500
```

```
!--- The router detects an on-hook event.
```

```
*Mar 6 00:01:41.417: htsp_timer - 500 msec
*Mar 6 00:01:41.917: htsp_process_event: [1/0/0, FXSLS_CONNECT, E_HTSP_EVENT_TIMER]
fxspls_connect_wait_release_req
*Mar 6 00:01:41.917: htsp_timer_stop
*Mar 6 00:01:41.917: dsp_cp_tone_off: [1/0/0:231] packet_len=8 channel_id=1 packet_id=71
*Mar 6 00:01:41.917: act_gen_tone: Tone Busy generated in direction Network,
stop_tone_on_digit = FALSE
*Mar 6 00:01:41.921: dsp_cp_tone_off: [1/0/0:231] packet_len=8 channel_id=1 packet_id=71
*Mar 6 00:01:41.921: dsp_idle_mode: [1/0/0:231] packet_len=8 channel_id=1 packet_id=68
*Mar 6 00:01:41.921: htsp_process_event: [1/0/0, FXSLS_WAIT_RELEASE_REQ,
E_HTSP_RELEASE_REQ]fxspls_waitrls_req_rls
```

```
!--- The router releases the call and clears the voice port.
```

```
*Mar 6 00:01:41.921: [1/0/0] set signal state = 0x4 timestamp = 0htsp_report_onhook_sig
*Mar 6 00:01:41.921: dsp_cp_tone_off: [1/0/0:231] packet_len=8 channel_id=1 packet_id=71
*Mar 6 00:01:41.925: dsp_idle_mode: [1/0/0:231] packet_len=8 channel_id=1 packet_id=68
*Mar 6 00:01:41.925: dsp_close_voice_channel: [1/0/0:231] packet_len=8 channel_id=1
packet_id=75
*Mar 6 00:01:41.929: send_mgcp_msg, MGCP Packet sent ---->
NTFY 29085 AALN/S1/SU0/0@VG200-2 MGCP 0.1
```

```
!--- The router sends the notify message to Cisco CallManager
!---regarding the on-hook event.
```

```

X: f3
O: L/lu

<---

*Mar 6 00:01:41.933: MGCP Packet received -
200 29085

!--- The router receives the "200 OK" acknowledgement.

*Mar 6 00:01:41.941: MGCP Packet received -
RQNT 913 AALN/S1/SU0/0@VG200-2 MGCP 0.1

!--- The router receives request notification from Cisco CallManager
!--- to reset and watch for an off-hook event.

X: f4
R: L/hd
S:
Q: process,loop

*Mar 6 00:01:41.945: send_mgcp_msg, MGCP Packet sent --->
200 913 OK

!--- The router sends back a "200 OK" to acknowledge it.

<---

VG200-2#
VG200-2#
*Mar 6 00:01:56.945: send_mgcp_msg, MGCP Packet sent --->
NTFY 29086 *@VG200-2 MGCP 0.1

!--- This is the MGCP keepalive from the router to Cisco CallManager.

X: 0
O:

<---

*Mar 6 00:01:56.949: MGCP Packet received -
200 29086

!--- Cisco CallManager acknowledges the keepalive.

```

Example of an Increased Hookflash-Input Timer on the FXS Voice Port

This section shows the effect of increasing the hookflash-input timer on the FXS voice port through the VG200 configuration.

```

VG200-2# configure terminal
Enter configuration commands, one per line. End with CNTL/Z.
VG200-2(config)#voice-port 1/0/0
VG200-2(config-voiceport)#timing hookflash-in ?
  <50-1550> milliseconds

VG200-2(config-voiceport)#timing hookflash-in 1000
VG200-2(config-voiceport)#
VG200-2# show debug

```

```
MGCP:
  Media Gateway Control Protocol packets debugging is on
  Voice Telephony dsp debugging is on
  Voice Telephony tone generation debugging is on
  Voice Port Module signaling debugging is on
VG200-2# terminal monitor
```

The section here shows only the relevant output of debugs issued. The output begins at the point when the flash button is pressed on the phone.

Note: Some of the output here appears on multiple lines due to space limitations.

```
VG200-2#
*Mar 6 02:34:40.560: vtsp_process_dsp_message: MSG_TX_GET_TX_STAT: rtp_timestamp=
0x534008E4
*Mar 6 02:34:41.288: htsp_process_event: [1/0/0, FXSLS_CONNECT, E_DSP_SIG_0100]
fxspls_offhook_onhook, HF duration=1000
*Mar 6 02:34:41.292: htsp_timer - 1000 msec
*Mar 6 02:34:41.908: htsp_process_event: [1/0/0, FXSLS_CONNECT, E_DSP_SIG_1100]
fxspls_offhook_offhook
*Mar 6 02:34:41.912: htsp_timer_stop

!--- Notice that the router sees the on-hook and off-hook message, and that
!--- the time between the two signals is 620 msec (02:34:41.908 - 02:34:41.288 =
!--- 620 msec). This value is within the 1-sec (1000-msec) hookflash-input timer
!--- defined under FXS voice port 1/0/0.

*Mar 6 02:34:41.912: send_mgcp_msg, MGCP Packet sent ---->
NTFY 29703 AALN/S1/SU0/0@VG200-2 MGCP 0.1

!--- The router sends the notify message to inform Cisco CallManager of the
!--- hookflash event.

X: 100
O: L/hf

<---

*Mar 6 02:34:41.916: MGCP Packet received -
200 29703

!--- Cisco CallManager sends back "200 OK" to acknowledge it.
```

NetPro Discussion Forums – Featured Conversations

Networking Professionals Connection is a forum for networking professionals to share questions, suggestions, and information about networking solutions, products, and technologies. The featured links are some of the most recent conversations available in this technology.

NetPro Discussion Forums – Featured Conversations for Voice
Service Providers: Voice over IP
Voice & Video: Voice over IP
Voice & Video: IP Telephony
Voice & Video: IP Phone Services for End Users
Voice & Video: Unified Communications

Voice & Video: IP Phone Services for Developers
Voice & Video: General

Related Information

- [Configuring the Cisco IOS MGCP Gateway](#)
 - [Configure MGCP Gateway and FXO/FXS Ports on a Cisco CallManager Server](#)
 - [Voice Technology Support](#)
 - [Voice and Unified Communications Product Support](#)
 - [Recommended Reading: Troubleshooting Cisco IP Telephony](#)
 - [Technical Support & Documentation – Cisco Systems](#)
-

[Contacts & Feedback](#) | [Help](#) | [Site Map](#)

© 2007 – 2008 Cisco Systems, Inc. All rights reserved. [Terms & Conditions](#) | [Privacy Statement](#) | [Cookie Policy](#) | [Trademarks of Cisco Systems, Inc.](#)

Updated: Feb 02, 2006

Document ID: 40300
