



Cisco AS5350 and Cisco AS5400 Memory Identification

This document contains important information for installing the correct memory modules in the Cisco AS5350, Cisco AS5400, and Cisco AS5400HPX universal gateways. This document contains the following sections:

- [System Board Memory Locations, page 1](#)
- [Flash Memory Identification, page 3](#)
- [Memory Installation, page 4](#)

System Board Memory Locations

The system board contains three sockets for SDRAM DIMMs (see [Figure 1](#)):

- Two sockets hold main memory SDRAM DIMMs. Main memory is used by the CPU to store the operating configuration, routing tables, and queues. The DIMMs can be 128 or 256 MB, and the capacity of the DIMMs in both sockets must match.
 - For main memory, the total capacity is 512 MB (two, 256 MB DIMMs).
- One socket holds a shared memory SDRAM DIMM. Shared memory is used to store incoming and outgoing packets. This DIMM can be 64 or 128 MB.
 - For shared memory, the total capacity is 128 MB (one, 128 MB DIMM).
 -

The system board contains three sockets for Flash memory SIMMs (see [Figure 1](#)):

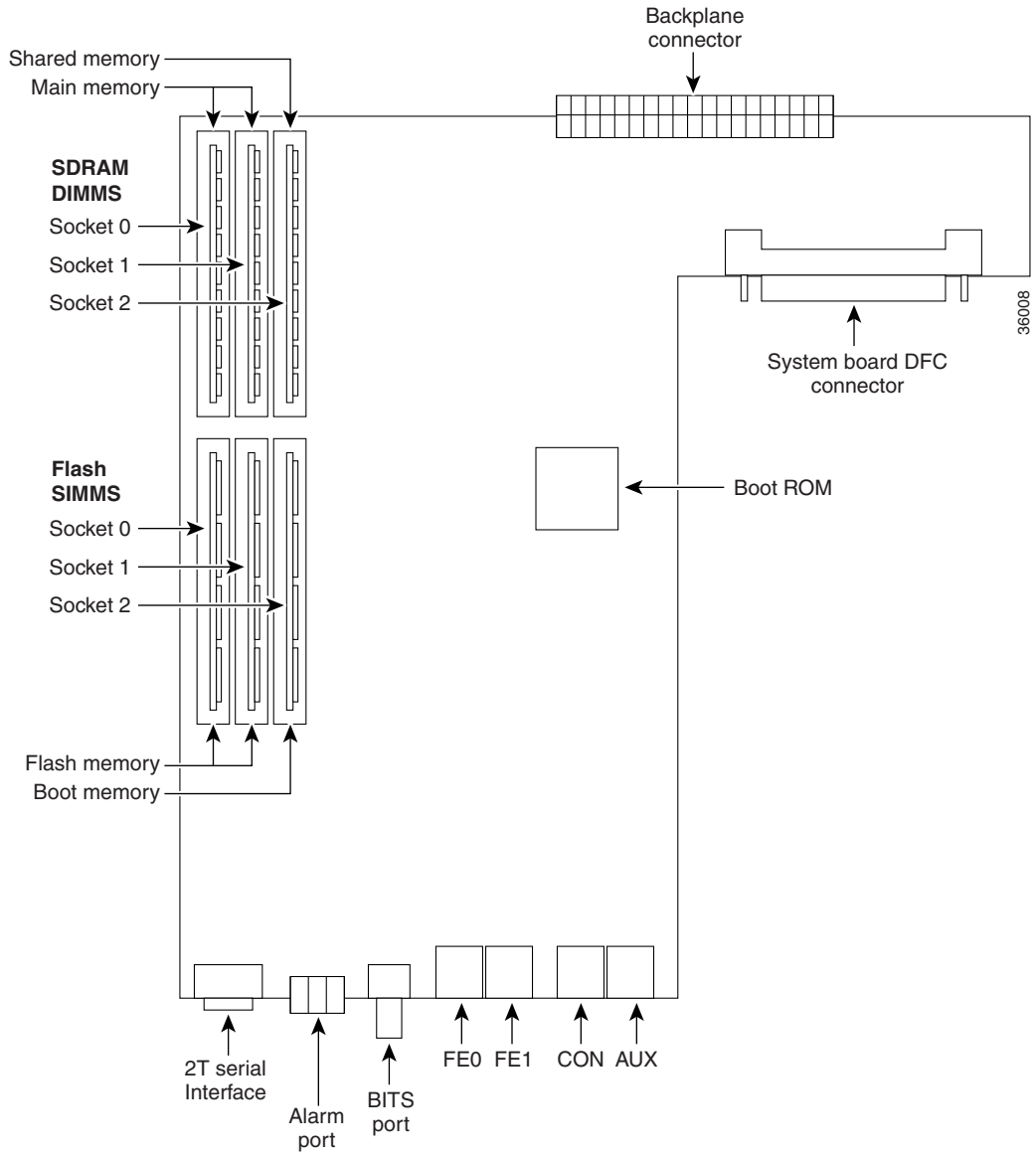
- The first two Flash memory sockets hold SIMMs containing the Cisco IOS software image. Cisco recommends that you install the first SIMM into the first Flash memory socket. (Socket 0 in [Figure 1](#).) For future expansion, install the second SIMM in the second Flash memory socket. The SIMMs are 32 MB, and the capacity of both SIMMs must match.
 - For system memory, the total capacity is 64 MB (two, 32 MB SIMMs).
- The third Flash memory socket holds a SIMM for the boot helper image (rxboot) software. The SIMM can be 8 or 16 MB.
 - For boot memory, the total capacity is 16 MB (one, 16 MB SIMM).



Corporate Headquarters:
Cisco Systems, Inc., 170 West Tasman Drive, San Jose, CA 95134-1706 USA

Copyright © 2001-2004, Cisco Systems, Inc. All rights reserved.

Figure 1 Memory Locations



Flash Memory Identification



Caution

It is critical that the correct Flash memory SIMM modules be installed in the Cisco AS5350 and Cisco AS5400 universal gateways. The Cisco AS5350 and Cisco AS5400 only support 5V Flash memory SIMM modules and the Cisco AS5400HPX only supports 3.3V Flash memory. In addition, system flash and boot flash modules for the Cisco AS5350 and Cisco AS5400 are not interchangeable with those for the Cisco AS5400HPX. Using the incorrect memory will cause the system to malfunction and may cause damage to the system board or memory card.

Cisco AS5400HPX

To identify the correct Flash memory SIMMs for the Cisco AS5400HPX, look for a label on the front of the 3.3V memory card with the part number “17-65xx-xx.” (See [Figure 2](#)). [Table 1](#) shows the possible part numbers for the 3.3V Flash memory SIMMs.

Figure 2 3.3V Flash Simm Module for Cisco AS5400HPX

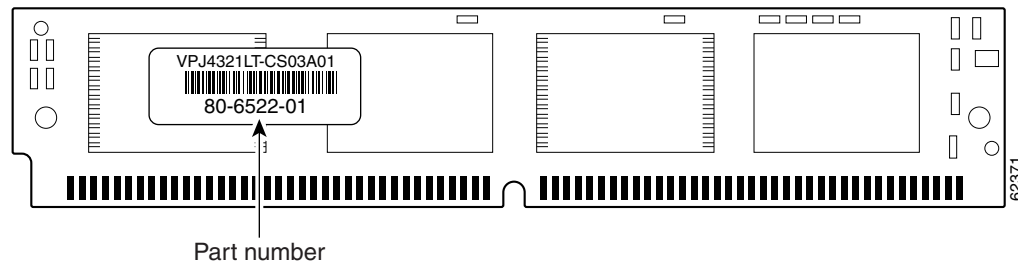


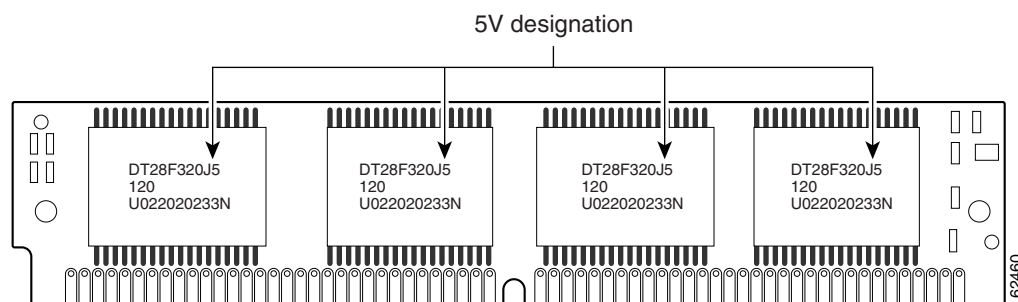
Table 1 3.3V SIMM Module Part Numbers

Memory Size	Cisco AS5400HPX Part #
8 MB	17-6520-xx
16 MB	17-6521-xx

Cisco AS5350 and Cisco AS5400

To identify the correct Flash memory SIMMs for the Cisco AS5350 and Cisco AS5400, look for a model number on the flash chip that ends in “J5”. The “J5” identifies the chip as 5V. (See [Figure 3](#)).

Figure 3 5V Flash Simm Module for Cisco AS5350 and Cisco AS5400



Memory Installation

For information about installing and removing memory modules, see the *Cisco AS5350* or *Cisco AS5400 Universal Gateway Chassis Installation Guide* available online at:

Cisco Product Documentation > Access Servers and Routers > Access Servers > Cisco AS5350 or Cisco AS5400 > Hardware Installation Documents for Cisco AS5350 or Cisco AS5400

This document is to be used in conjunction with the *Cisco AS5350* or *Cisco AS5400 Universal Gateway Chassis Installation Guide*.

CCVP, the Cisco logo, and the Cisco Square Bridge logo are trademarks of Cisco Systems, Inc.; Changing the Way We Work, Live, Play, and Learn is a service mark of Cisco Systems, Inc.; and Access Registrar, Aironet, BPX, Catalyst, CCDA, CCDP, CCIE, CCIP, CCNA, CCNP, CCSP, Cisco, the Cisco Certified Internetwork Expert logo, Cisco IOS, Cisco Press, Cisco Systems, Cisco Systems Capital, the Cisco Systems logo, Cisco Unity, Enterprise/Solver, EtherChannel, EtherFast, EtherSwitch, Fast Step, Follow Me Browsing, FormShare, GigaDrive, HomeLink, Internet Quotient, IOS, iPhone, IP/TV, iQ Expertise, the iQ logo, iQ Net Readiness Scorecard, iQuick Study, LightStream, Linksys, MeetingPlace, MGX, Networking Academy, Network Registrar, *Packet*, PIX, ProConnect, ScriptShare, SMARTnet, StackWise, The Fastest Way to Increase Your Internet Quotient, and TransPath are registered trademarks of Cisco Systems, Inc. and/or its affiliates in the United States and certain other countries.

All other trademarks mentioned in this document or Website are the property of their respective owners. The use of the word partner does not imply a partnership relationship between Cisco and any other company. (0705R)

Copyright © 2001-2002 Cisco Systems, Inc.
All rights reserved. Printed in USA.