

Cisco Digital Media Player Mount Kits

Product Overview

The Cisco® Digital Media Player (DMP) Mount Kits are built for mounting Cisco Digital Media Players to Cisco Digital Signs and Cisco Cast displays. The mount kits support four different mounting features: wall mount, display mount (Figure 1), ceiling mount, and pole mount (Figure 2). Other features include a security locking option and clear airflow for ventilation.

The mount kits support the Cisco DMP 4305G, DMP 4310G and DMP 4400G models.

Figure 1. Display VESA mount illustration

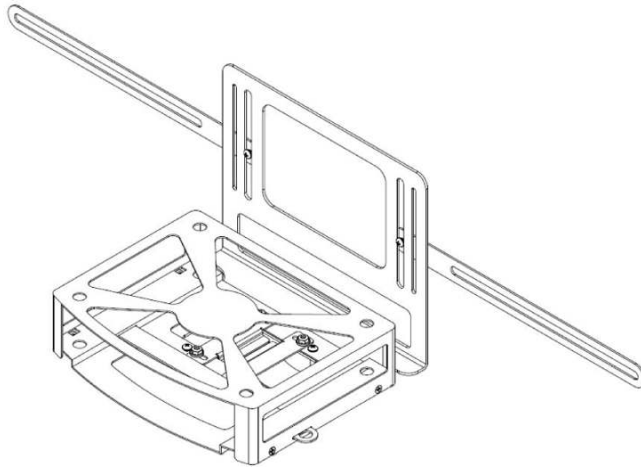


Figure 2. Pole mount illustration

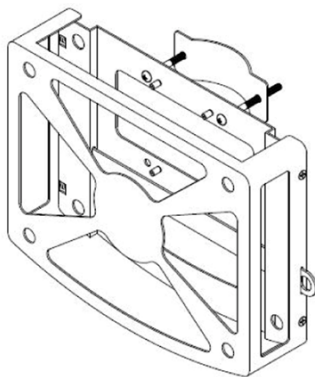


Table 1 lists the features and benefits of the Cisco DMP Mount Kits, and Table 2 gives specifications.

Table 1. Features and Benefits

Feature	Benefit
Cost-effective	Low cost and easy to use
Single vendor for end-to-end solution	Single source for complete Cisco Digital Signs and Cisco Cast deployments
Security	Built-in locking capability: DMPs securable with padlocks

Table 2. Product Specifications

Product	Specification
Cisco DMP 4305 Protective Case Mount, Series 1 (H x W x D)	1.65 x 7.41 x 5.335 in. (4.19 x 18.82 x 13.55 cm)
Cisco DMP 4400 Protective Case Mount, Series 1 (H x W x D)	2.58 x 10.48 x 8.31 in. (6.55 x 26.63 x 21.11 cm)

System Requirements

The Cisco DMP Mount Kits work only with Cisco DMPs.

Ordering Information

Table 3 gives ordering information for the mount kits.

Table 3. Ordering Information

Product Name	Part Number
DMP 4305 Protective Case Mount, Series 1	DMP-PRCASE-4305-S1
DMP 4400 Protective Case Mount, Series 1	DMP-PRCASE-4400-S1

Service and Support

The Cisco DMP Mount Kits are available with a 90-day warranty. No service or extended support for the mount kits is available.

For More Information

For more information about the Cisco Digital Media Player, visit <http://www.cisco.com/go/dms> or contact your local Cisco account representative.



Americas Headquarters
Cisco Systems, Inc.
San Jose, CA

Asia Pacific Headquarters
Cisco Systems (USA) Pte. Ltd.
Singapore

Europe Headquarters
Cisco Systems International BV Amsterdam,
The Netherlands

Cisco has more than 200 offices worldwide. Addresses, phone numbers, and fax numbers are listed on the Cisco Website at www.cisco.com/go/offices.

Cisco and the Cisco Logo are trademarks of Cisco Systems, Inc. and/or its affiliates in the U.S. and other countries. A listing of Cisco's trademarks can be found at www.cisco.com/go/trademarks. Third party trademarks mentioned are the property of their respective owners. The use of the word partner does not imply a partnership relationship between Cisco and any other company. (1005R)