

## Cisco Video Surveillance 2630V IP Dome

The Cisco® Video Surveillance 2630V IP Dome is a feature-rich digital camera designed to provide superior performance in a wide variety of video surveillance applications and environments. The camera employs H.264 compression of up to 30 frames per second (fps) at D1 NTSC resolution (720 x 480) or 25 fps at D1 PAL resolution (720 x 576), offering efficient network utilization while providing high-quality video. This vandal-resistant dome can be deployed indoors or outdoors. With its open, standards-based design, the camera provides an ideal platform for operation as an independent device or as part of a Cisco Video Surveillance network.

Figure 1 shows the Cisco Video Surveillance 2630V IP Dome.

**Figure 1.** Cisco Video Surveillance 2630V IP Dome



The Cisco Video Surveillance 2630V IP Dome offers a variety of benefits, including:

- **Optimal imaging efficiency.** The 2630V IP Dome can stream video using H.264 compression, reducing network traffic and storage requirements while providing superior image quality.
- **Motorized focus and zoom.** The lens on the 2630V IP Dome allows the focus and zoom to be controlled remotely, greatly simplifying installations and field of view adjustments.
- **Wide dynamic range.** The camera employs powerful digital imaging technology, allowing it to capture high-quality images in a wide variety of indoor and outdoor lighting conditions. It uses a progressive scan image sensor with global electronic shuttering to ensure natural color rendition, zero blooming and smear, and minimal motion blurring.
- **Dual streaming.** The camera can deliver two simultaneous video streams over the network. A combination of H.264, MPEG4, and MJPEG can be configured. Each video stream can be configured with individual resolution, quality, and frame rate settings.
- **Outdoor mounting options.** When used outdoors, the camera must be mounted using a separate conduit base accessory (CIVS-IPCA-1006=) or pendant cap accessory (CIVS-IPCA-1010=) for IP66 protection. The camera is equipped with a motorized varifocal motorized lens mounted to a manual pan and tilt mechanism that allows the camera to be rotated and placed at the proper angle.
- **Dome options.** The 2630V IP Dome comes standard with a clear dome. A smoked dome is available as an optional accessory.

- **Day/night operation.** The camera provides true day/night operation and includes an IR filter that switches to night mode in low-light scenes. This function can be set to manual or automatic control.
- **Fan/heater operation.** The camera includes a fan and heater unit that automatically maintains a desirable internal temperature, allowing the camera to operate in outdoor conditions.
- **Embedded security and networking.** The camera provides 802.1X authentication and supports IP Multicast for enhanced bandwidth management.
- **Event notification.** The camera can examine designated areas in the video for motion activity and then notify users or other applications when it detects activity that exceeds a predefined threshold.
- **Bidirectional audio.\*** The camera supports full-duplex audio, and options for half-duplex operation.

**Note:** Features with an asterisk are not supported or applicable when the camera is used with Cisco Video Surveillance Manager.

## Features

Table 1 describes the features of the Cisco Video Surveillance 2630V IP Dome.

**Table 1.** Cisco Video Surveillance 2630V IP Dome Features

Item	Specification
<b>Imaging Device</b>	1/3-in. progressive-scanRGB CMOSsensor with wide dynamic range
<b>Image Control</b>	Automatic white balance (AWB), automatic gain control (AGC), automatic exposure (AE), auto iris
<b>Dynamic Range</b>	102 dBtypical/120 dB maximum
<b>Minimum Illumination</b>	<ul style="list-style-type: none"> <li>• Color mode: F1.4 @ 0.65 lux</li> <li>• Black and white mode: F1.4 @ 0.08 lux</li> </ul>
<b>Signal-to-Noise Ratio (SNR)</b>	>48 dB
<b>Shutter</b>	Electronic shutter
<b>Lens</b>	Motorized DC auto-iris lens with day/night filter 3.3mm–12mm Zoom: 3.6x <b>Field of view:</b> <ul style="list-style-type: none"> <li>• Horizontal: 24°–90°</li> <li>• Vertical: 18°–64°</li> </ul>
<b>Camera Angle Adjustment</b>	Pan: 340° Tilt: 160° Rotation: 200°
<b>Video Compression</b>	H.264, MPEG-4, MJPEG
<b>Audio Compression*</b>	G.711 A-Law, G.711 U-Law, G.726
<b>Resolution and Frame Rate</b>	NTSC/PAL <ul style="list-style-type: none"> <li>• 720 x 480/576 @ 30/25 fps (D1)</li> <li>• 704 x 480/576 @ 30/25 fps (4CIF)</li> <li>• 352 x 240/288 @ 30/25 fps (CIF)</li> </ul>
<b>Video Streaming</b>	Single and dual video streams supported. Refer to Tables 2, 3, and 4 for details.
<b>Protocols</b>	Dynamic Host Control Protocol (DHCP), File Transfer Protocol (FTP), Hypertext Transfer Protocol (HTTP), Secure HTTP (HTTPS), Network Time Protocol (NTP), Real-Time Transport Protocol (RTP), Real-Time Streaming Protocol (RTSP), Simple Mail Transfer Protocol (SMTP), Secure Sockets Layer/Transport Layer Security (SSL/TLS), Transmission Control Protocol/Internet Protocol (TCP/IP), 802.1x
<b>Quality of Service (QoS)</b>	Differentiated services code point (DSCP) marking
<b>Power Power</b>	24 VAC, isolated external power supply
<b>Power Consumption</b>	15W (maximum) When heater is on: 35W (maximum)

\* Not supported or applicable when the camera is used with Cisco Video Surveillance Manager.

Table 2 lists supported single stream configurations on the Cisco Video Surveillance 2630V IP Dome.

**Table 2.** Supported Single Stream Configurations

Single Streaming	Maximum Resolution and Frames Per Second (FPS)	Resolutions Supported (NTSC & PAL)	NTSC FPS Supported	PAL FPS Supported
<b>H.264</b>	D1 @ 30 fps	D1 4CIF CIF	30, 25, 20, 15, 10, 8, 6, 5	25, 20, 15, 10, 8, 6, 5
<b>MPEG-4</b>	D1 @ 30 fps	D1 4CIF CIF	30, 25, 20, 15, 10, 8, 6, 5	25, 20, 15, 10, 8, 6, 5
<b>MJPEG</b>	D1 @ 30 fps	D1 4CIF CIF	30, 25, 20, 15, 10, 8, 6, 5	25, 20, 15, 10, 8, 6, 5

Table 3 lists the supported primary and secondary video stream combinations on the Cisco Video Surveillance 2630V IP Dome.

**Table 3.** Supported Primary and Secondary Video Stream Combinations

Primary	Secondary
H.264	H.264
H.264	MJPEG
MPEG4	MPEG4
MPEG4	MJPEG

Table 4 lists the supported primary and secondary video streams on the Cisco Video Surveillance 2630V IP Dome.

**Table 4.** Cisco Video Surveillance 2630V IP Dome Video Stream Support

NTSC Primary Channel Resolutions	NTSC Primary Frame Rate	NTSC Secondary Channel Resolutions	NTSC Secondary Frame Rate*
4 CIF, CIF	30, 25, 20, 15, 10, 8, 6, 5	CIF	15, 10, 8, 6, 5
PAL Primary Channel Resolutions	PAL Primary Frame Rate	PAL Secondary Channel Resolutions	PAL Secondary Frame Rate*
4 CIF, CIF	25, 20, 15, 10, 8, 6, 5	CIF	15, 10, 8, 6, 5

\* If a secondary frame rate is selected in Cisco Video Surveillance Manager that is not listed in the table, the camera will automatically use the closest frame rate.

## Connectors

Table 5 describes the connectors on the Cisco Video Surveillance 2630V IP Dome.

**Table 5.** Cisco Video Surveillance 2630V IP Dome Connectors

Item	Specification
<b>Network Connectivity</b>	10/100 BASE-TX Ethernet with RJ-45 connector
<b>Video</b>	3.5-mm service connector, provides analog video (use with optional mini cable with BNC adapter during installation)
<b>Audio*</b>	<ul style="list-style-type: none"> <li>3.5-mm audio jack: audio input for optional external microphone and audio output for optional external speaker supported through Y-cable adapter</li> <li>Two-way (full- or half-duplex), one-way, or audio off</li> </ul>
<b>Alarm Input</b>	Two logic-level programmable inputs
<b>Alarm Output*</b>	Two logic-level programmable outputs
<b>Power Input</b>	3-pin terminal

\* Not supported or applicable when the camera is used with Cisco Video Surveillance Manager.

## Software

Table 6 describes the primary features of the Cisco Video Surveillance 2630V IP Dome software.

**Table 6.** Cisco Video Surveillance 2630V IP Dome Primary Software Features

Item	Specification
<b>Video Format</b>	NTSC and PAL
<b>Day/night Settings</b>	Auto or manual day/night operation with user-definable thresholds
<b>Image Settings</b>	Configurable brightness, sharpness, saturation, and white balance
<b>Overlay Capabilities</b>	Time, date, and text
<b>Selectable Bit Rate</b>	Support for Constant Bit Rate or Variable Bit Rate
<b>IP Filtering</b>	Users can enter a list of allowed or blocked IP addresses for viewing video and configuring camera settings
<b>Discovery*</b>	Cisco Discovery Protocol, Bonjour zero-configuration discovery
<b>Configuration</b>	<ul style="list-style-type: none"> <li>• Browser-based using Internet Explorer 8 with SP3</li> <li>• Multiple user access levels with password protection</li> </ul>
<b>Motion Detection</b>	4 user-definable motion detection areas
<b>Event Actions</b>	<ul style="list-style-type: none"> <li>• Email</li> <li>• FTP upload of captured video or JPEG snapshot depending on stream configuration</li> <li>• HTTP alert</li> <li>• Alarm output</li> </ul>

\* Not supported or applicable when the camera is used with Cisco Video Surveillance Manager.

## Specifications

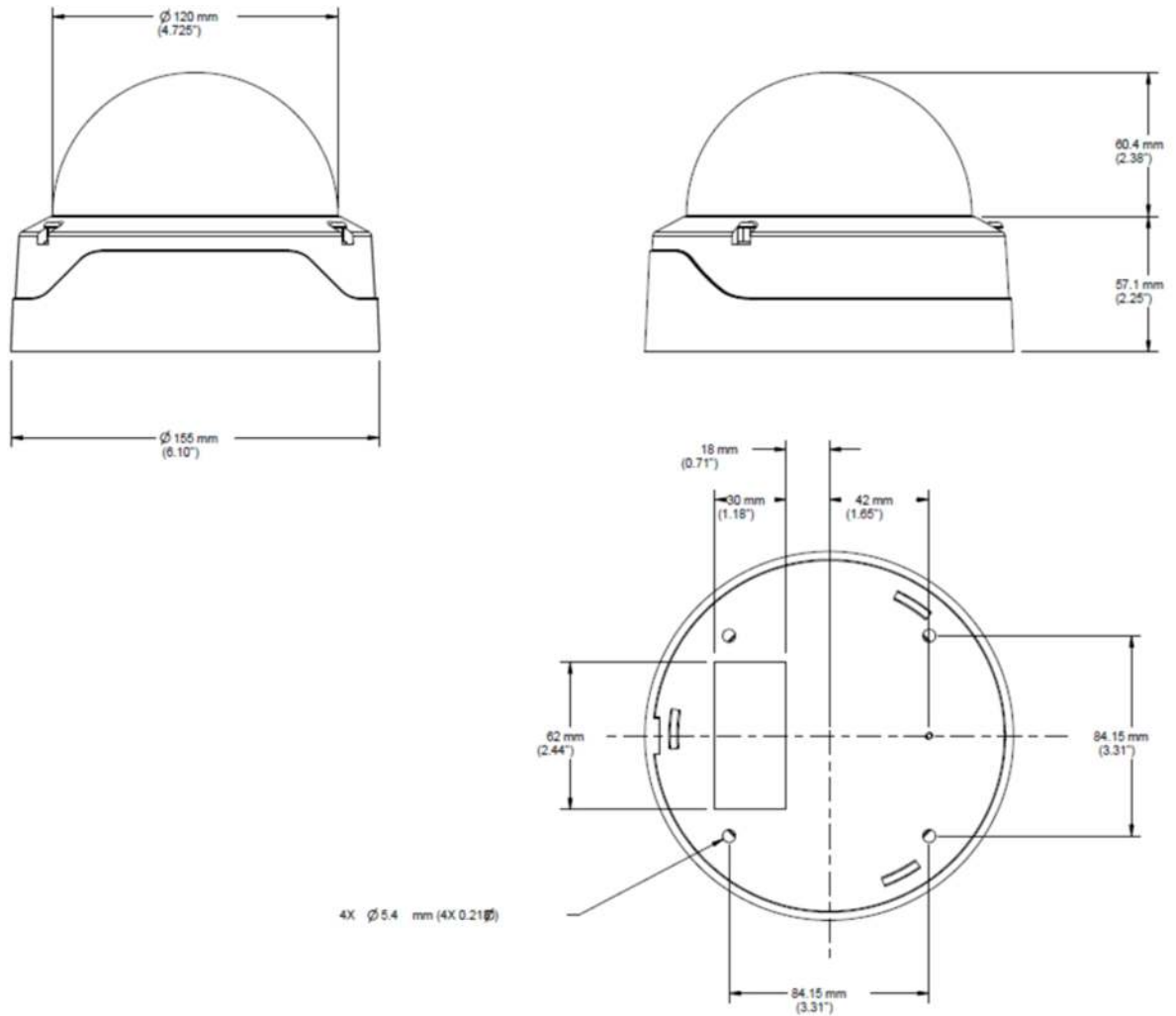
Table 7 provides specifications of the Cisco Video Surveillance 2630V IP Dome.

**Table 7.** Cisco Video Surveillance 2630V IP Dome Mechanical Specifications

Item	Specification																																	
<b>Housing</b>	Metal base and polycarbonate transparent cover with tamper-resistant mounting																																	
<b>LEDs</b>	Power and Ethernet																																	
<b>Dimensions (W x H)</b>	6.10 x 4.64 in. 155 x 118 mm																																	
<b>Weight</b>	3.1 lb 1.4 kg																																	
<b>Standards Compliance</b>	<table border="1"> <thead> <tr> <th>Safety:</th> <th>EMC-Emissions:</th> <th>EMC-Immunity:</th> </tr> </thead> <tbody> <tr> <td>UL 60950</td> <td>47CFR Part 15 (CFR 47) Class B</td> <td>EN55024</td> </tr> <tr> <td>CAN/CSA-C22.2 No. 60950</td> <td>AS/NZS CISPR22 Class B</td> <td>CISPR24</td> </tr> <tr> <td>EN 60950</td> <td>CISPR22 Class B</td> <td>EN50130-4</td> </tr> <tr> <td>IEC 60950</td> <td>EN55022 Class B</td> <td>KN24</td> </tr> <tr> <td>AS/NZS 60950</td> <td>ICES003 Class B</td> <td></td> </tr> <tr> <td></td> <td>VCCI Class B</td> <td></td> </tr> <tr> <td></td> <td>EN61000-3-2</td> <td></td> </tr> <tr> <td></td> <td>EN61000-3-3</td> <td></td> </tr> <tr> <td></td> <td>KN22 Class B</td> <td></td> </tr> <tr> <td></td> <td>CNS13438 Class B</td> <td></td> </tr> </tbody> </table>	Safety:	EMC-Emissions:	EMC-Immunity:	UL 60950	47CFR Part 15 (CFR 47) Class B	EN55024	CAN/CSA-C22.2 No. 60950	AS/NZS CISPR22 Class B	CISPR24	EN 60950	CISPR22 Class B	EN50130-4	IEC 60950	EN55022 Class B	KN24	AS/NZS 60950	ICES003 Class B			VCCI Class B			EN61000-3-2			EN61000-3-3			KN22 Class B			CNS13438 Class B	
Safety:	EMC-Emissions:	EMC-Immunity:																																
UL 60950	47CFR Part 15 (CFR 47) Class B	EN55024																																
CAN/CSA-C22.2 No. 60950	AS/NZS CISPR22 Class B	CISPR24																																
EN 60950	CISPR22 Class B	EN50130-4																																
IEC 60950	EN55022 Class B	KN24																																
AS/NZS 60950	ICES003 Class B																																	
	VCCI Class B																																	
	EN61000-3-2																																	
	EN61000-3-3																																	
	KN22 Class B																																	
	CNS13438 Class B																																	
<b>Operating Temperature</b>	-30° to 55°C -22° to 131°F																																	
<b>Heater and Fan</b>	Heater turns ON: Internal temperature falls below 5°C (41°F) Heater turns OFF: Internal temperature rises above 15°C (59°F) Fan turns ON: Internal temperature rises above 70°C (158°F) Fan turns OFF: Internal temperature falls below 60°C (140°F)																																	

Figure 2 shows the dimensions of the Cisco Video Surveillance 2630V IP Dome without the conduit case.

**Figure 2.** Cisco Video Surveillance 2630V IP Dome Dimensions Without Included Conduit Case



### Package Contents

Table 8 describes the items that ship with the Cisco Video Surveillance 2630V IP Dome.

**Table 8.** Cisco Video Surveillance 2630V IP Dome Package Contents

Item
Cisco Video Surveillance 2630VIP Dome
Quick start guide
Regulatory compliance and safety information
<ul style="list-style-type: none"> <li>• Mounting template</li> <li>• 0.9-mm Allen wrench for locking/unlocking the lens focus ring</li> <li>• Torx security wrench for tamper-resistance screws</li> <li>• 8-32 x 5/16" screws (qty. 4)</li> <li>• Security wire and screw</li> </ul>

## Availability

The Cisco Video Surveillance 2630V IP Dome is available through Cisco Authorized Distributors.

## Ordering Information

Table 9 lists the part numbers for the Cisco Video Surveillance 2630V IP Dome and accessories.

**Table 9.** Cisco Video Surveillance 2630V IP Dome Ordering Information

Part Number	Description
<b>CIVS-IPC-2630V</b>	Indoor/Outdoor Cisco Standard-Definition IP Clear Dome, D/N, 2.8–10 mm, vandal-resistant
<b>Accessories</b>	
<b>CIVS-IPCA-1004=</b>	Dome, Clear, 2500 and 2600 Series
<b>CIVS-IPCA-1005=</b>	Dome, Smoked, 2500 and 2600 Series
<b>CIVS-IPCA-1006=</b>	Conduit base with extra gaskets, 2500 and 26xxV Series
<b>CIVS-IPCA-1007=</b>	Ceiling mount support
<b>CIVS-IPCA-1010=</b>	Pendant cap, 2500 and 26xxV Series
<b>CIVS-IPCA-1011=</b>	Wall mount for use with CIVS-IPCA-1010
<b>CIVS-IPCA-1012=</b>	Ceiling mount for use with CIVS-IPCA-1010
<b>CIVS-IPCA-1013=</b>	Pendant cap adapter (3/4" to 1.5" male NPT thread)
<b>CIVS-IPCA-1014=</b>	Round pole mount adapter for use with wall mount
<b>CIVS-IPCA-1017=</b>	Audio/video cables
<b>CIVS-IPCA-1018=</b>	Sun shield

## Using the Camera with Cisco Video Surveillance Manager

Features that are marked with an asterisk (\*) are not supported when using the camera with Cisco Video Surveillance Manager. Please refer to the latest release notes for Cisco Video Surveillance Manager for more information.

## Service and Support

Cisco offers a wide range of services programs to accelerate customer success. These innovative programs are delivered through a unique combination of people, processes, tools, and partners, resulting in high levels of customer satisfaction. Cisco services help you to protect your network investment, optimize network operations, and prepare your network for new applications to extend network intelligence and the power of your business. For more information about Cisco services, visit [Cisco Technical Support Services](#) or [Cisco Advanced Services](#).

## For More Information

For more information about Cisco Video Surveillance solutions, visit <http://www.cisco.com/en/US/products/ps6712/index.html> or contact your local account representative.



**Americas Headquarters**  
Cisco Systems, Inc.  
San Jose, CA

**Asia Pacific Headquarters**  
Cisco Systems (USA) Pte. Ltd.  
Singapore

**Europe Headquarters**  
Cisco Systems International BV Amsterdam,  
The Netherlands

Cisco has more than 200 offices worldwide. Addresses, phone numbers, and fax numbers are listed on the Cisco Website at [www.cisco.com/go/offices](http://www.cisco.com/go/offices).

Cisco and the Cisco Logo are trademarks of Cisco Systems, Inc. and/or its affiliates in the U.S. and other countries. A listing of Cisco's trademarks can be found at [www.cisco.com/go/trademarks](http://www.cisco.com/go/trademarks). Third party trademarks mentioned are the property of their respective owners. The use of the word partner does not imply a partnership relationship between Cisco and any other company. (1005R)