

Subscriber Networks

Explorer® 1840™ Digital-Only Interactive Set-Top

Description

The Explorer® 1840™ Digital-Only Interactive Set-Top provides subscribers with improved video/audio quality and the flexibility to support interactive applications and services.

The Explorer 1840 Set-Top supports the NTSC standard and complies with CableLabs®/SCTE and DAVIC standards to enable broad-based applications support and scalability.



Features

- Up to 40 MB of total onboard memory
- VOD, SVOD, xOD, and other applications support
- S-Video output
- Digital service tuner
- DAVIC reverse path transmitter
- Compact footprint

Benefits

System operators will get the following benefits from deploying digital-only set-tops:

- Increased available bandwidth for digital services
- Reduced operating costs
- Greater penetration of interactive applications and other digital services for sites that choose not to simulcast any analog channels (In this configuration, subscribers with analog TVs will need a digital-only set-top to receive cable service.)

Subscribers may notice the following benefits from using digital-only set-tops:

- Better picture quality
- Access to interactive applications and other digital services that had previously been unavailable for subscribers with cable-ready TVs

Explorer 1840 Digital-Only Interactive Set-Top

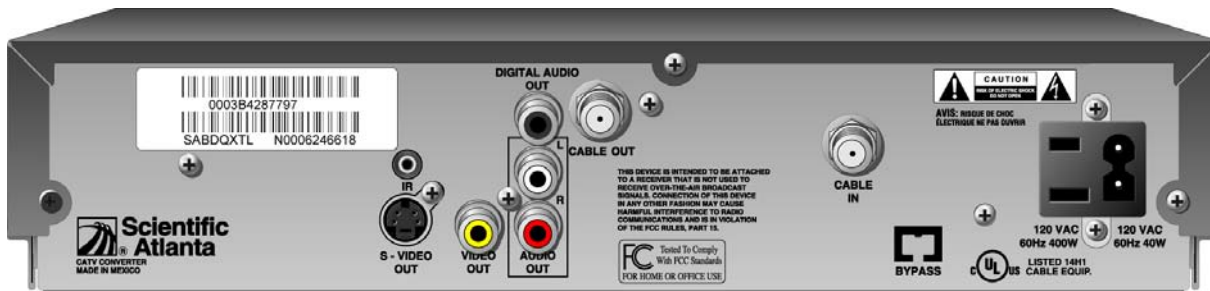


Front Panel



Front Panel	
Controls	IR Receiver, 10 buttons: Power, Vol+, Vol-, Ch+, Ch-, Select, Guide, Info, Exit, Settings
Security	Smart Card Reader
Power Indicator LED	Indicates Power On/Off status
IR Receiver	Receives IR commands from the remote control
Recessed Branding Area	Space for System Operator logo/name label

Back Panel



T11927

Back Panel	
Connections—Cable In	RF Cable In
Connections—Cable Out	RF Cable Out (offers composite audio/video connection to a VCR or TV) S-Video (offers optimal Video to a standard definition TV), Baseband Video Out, L/R Audio, Coax Digital Audio
Power Input	Polarized 2-prong modular cord plug, 120 VAC, 60 Hz, 40 W maximum
Power Output	Polarized 2-prong outlet, at input line voltage, 400 W maximum, software controlled
Labels	Serial Number and MAC Address with bar code

Specifications

Tuning and Decoding	
Digital-only Service Tuner	Allows MPEG-2 digital channels to be tuned and displayed
1.544 Mbps Reverse Path DAVIC Data Transmitter	Allows instantaneous, IP-based, real-time two-way communication between the Explorer 1840 Set-Top and the headend Drives interactive services such as VOD, SVOD, and xOD
64 and 256 ITU Annex B QAM Support	Supports standards-based QAM delivery and demodulation
Video	
S-Video Output	Provides optimal video to a standard definition TV (SDTV)
MPEG-2 MP@ML Digital Video Decompression	Allows high-volume transport and decompression of audio and video Accesses 4 MB of onboard dedicated DRAM to ensure fast decompression of MPEG and graphics and to deliver video resolutions up to 720 x 480 pixels
RF Cable Out	Provides a composite audio/video connection to a VCR or TV
Baseband Audio/Video Outputs	Provides a baseband audio/video connection to a VCR or TV
Enhanced Graphics Engine	Displays up to 65,000 colors simultaneously Enables high-resolution graphics (640 x 480 pixels) while simultaneously scaling MPEG-2 and video
Audio	
Dolby® Digital Audio and MPEG-1 Audio Support	Provides capability to distribute content in high-quality audio formats
Conditional Access/Operating System	
PowerKEY® Conditional Access System	Secures digital services using symmetric encryption algorithm for content protection and strong authentication and digital signature for entitlement delivery
PowerTV® Operating System	Offers extensive operating system and open Application Programming Interfaces (APIs) to support native applications and third-party middleware applications
Security	
Internal Security Microprocessor	Provides hardware-assisted conditional access functions within a tamper-resistant package
Smart Card Reader	Supports third-party conditional access smart cards as well as the ability to upgrade the native PowerKEY security
Macrovision® Copy Protection Support (licensing not included)	Activation allows system operators to use Macrovision copy protection software that prevents subscribers from making clear analog copies of video services
Memory/Storage	
Optional 8 MB or 32 MB CPU DRAM 4 MB Flash EPROM	Provides 12 MB or 36 MB total memory to support simultaneous operation of multiple interactive applications, high-quality graphics, and system software
Processors	
Powerful 166 MHz, 32-bit RISC processor	Delivers fast system response time


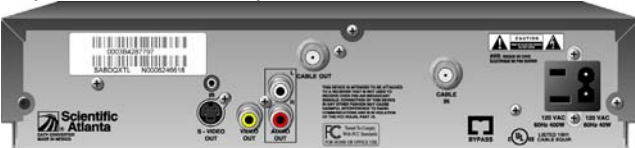
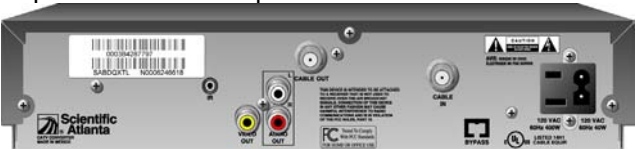

Explorer 1840 Digital-Only Interactive Set-Top

Specifications, continued

Dimensions	
Product Dimensions (WxDxH)	12 in. x 6.5 in. x 2.5 in. (30.5 cm x 16.5 cm x 6.4 cm)
Product Weight	3 lbs (1.4 kg)
Carton Dimensions (WxDxH)	16 in. x 14 in. x 9 in. (40.6 cm x 35.6 cm x 22.7 cm)
Weight Including Packaging (four units per carton)	16.75 lbs (7.6 kg)
Operating Conditions	
Operating Temperature	40°F to 105°F (5°C to 40°C)
Spacing	Locate with at least 2 inches of open space above and on each side

Ordering Information

Contact your Sales Representative for product availability in your area.

Description	Memory Configuration	Part Number
Explorer 1840 Set-Top with Digital-Audio Out Port and S-Video Out Port 	Total Memory 40 MB: Application SDRAM 32 MB Flash 4 MB Media SDRAM 4 MB NVM 2 KB	4017429
Explorer 1840 Set-Top with S-Video Out Port 	Total Memory 40 MB: Application SDRAM 32 MB Flash 4 MB Media SDRAM 4 MB NVM 2 KB	4009808
Explorer 1840 Set-Top 	Total Memory 16 MB: Application SDRAM 8 MB Flash 4 MB Media SDRAM 4 MB NVM 2 KB	4012496
Optional IR Blaster Cable 		735994



Scientific Atlanta, the Scientific Atlanta logo, Explorer, PowerKEY, and PowerTV are registered trademarks of Scientific-Atlanta, Inc

1840 is a trademark of Scientific-Atlanta, Inc..

Cisco, Cisco Systems, and the Cisco Systems logo are registered trademarks of Cisco Systems, Inc. and/or its affiliates in the U.S. and certain other countries.

Dolby is a registered trademark of Dolby Laboratories

CableLabs is a registered trademark of Cable Television Laboratories, Inc.

Macrovision is a registered trademark of Macrovision Corp.

All other trademarks shown are trademarks of their respective owners.

Specifications and product availability are subject to change without notice.

© 2007 Scientific-Atlanta, Inc. All rights reserved.

Scientific-Atlanta, Inc.
1-800-722-2009 or 770-236-6900
www.scientificatlanta.com

Part Number 7007786 Rev D
February 2007