



Security Configuration Guide, Cisco IOS XE Release 3SE (Catalyst 3650 Switches)

First Published: 2013-07-29

Last Modified: 2013-10-10

Americas Headquarters

Cisco Systems, Inc.
170 West Tasman Drive
San Jose, CA 95134-1706
USA
<http://www.cisco.com>
Tel: 408 526-4000
800 553-NETS (6387)
Fax: 408 527-0883

Text Part Number: OL-30583-01



CONTENTS

Preface

Preface **xxiii**

Document Conventions **xxiii**

Related Documentation **xxv**

Obtaining Documentation and Submitting a Service Request **xxv**

CHAPTER 1

Using the Command-Line Interface **1**

Information About Using the Command-Line Interface **1**

Command Modes **1**

Understanding Abbreviated Commands **3**

No and Default Forms of Commands **3**

CLI Error Messages **4**

Configuration Logging **4**

Using the Help System **4**

How to Use the CLI to Configure Features **6**

Configuring the Command History **6**

 Changing the Command History Buffer Size **6**

 Recalling Commands **6**

 Disabling the Command History Feature **7**

Enabling and Disabling Editing Features **7**

 Editing Commands Through Keystrokes **8**

 Editing Command Lines That Wrap **9**

Searching and Filtering Output of show and more Commands **10**

Accessing the CLI on a Switch Stack **11**

Accessing the CLI Through a Console Connection or Through Telnet **11**

CHAPTER 2

Using the Web Graphical User Interface **13**

Prerequisites for Using the Web GUI **13**

Information About Using The Web GUI 13

Web GUI Features 14

Connecting the Console Port of the Switch 15

Logging On to the GUI 15

Enabling Web and Secure Web Modes 16

Configuring the Switch Web GUI 16

CHAPTER 3

Preventing Unauthorized Access 21

Finding Feature Information 21

Preventing Unauthorized Access 21

CHAPTER 4

Controlling Switch Access with Passwords and Privilege Levels 23

Finding Feature Information 23

Restrictions for Controlling Switch Access with Passwords and Privileges 23

Information About Passwords and Privilege Levels 24

Default Password and Privilege Level Configuration 24

Additional Password Security 24

Password Recovery 25

Terminal Line Telnet Configuration 25

Username and Password Pairs 25

Privilege Levels 26

How to Control Switch Access with Passwords and Privilege Levels 26

Setting or Changing a Static Enable Password 26

Protecting Enable and Enable Secret Passwords with Encryption 28

Disabling Password Recovery 30

Setting a Telnet Password for a Terminal Line 31

Configuring Username and Password Pairs 33

Setting the Privilege Level for a Command 35

Changing the Default Privilege Level for Lines 37

Logging into and Exiting a Privilege Level 38

Monitoring Switch Access 39

Configuration Examples for Setting Passwords and Privilege Levels 39

Example: Setting or Changing a Static Enable Password 39

Example: Protecting Enable and Enable Secret Passwords with Encryption 39

Example: Setting a Telnet Password for a Terminal Line 40

Example: Setting the Privilege Level for a Command 40
Additional References 40

CHAPTER 5**Configuring TACACS+ 43**

Finding Feature Information 43
Prerequisites for TACACS+ 43
Information About TACACS+ 45
 TACACS+ and Switch Access 45
 TACACS+ Overview 45
 TACACS+ Operation 47
 Method List 48
 TACACS+ Configuration Options 48
 TACACS+ Login Authentication 48
 TACACS+ Authorization for Privileged EXEC Access and Network Services 48
 TACACS+ Accounting 49
 Default TACACS+ Configuration 49
How to Configure Switch Access with TACACS+ 49
 Identifying the TACACS+ Server Host and Setting the Authentication Key 49
 Configuring TACACS+ Login Authentication 51
 Configuring TACACS+ Authorization for Privileged EXEC Access and Network Services 54
 Starting TACACS+ Accounting 56
 Establishing a Session with a Router if the AAA Server is Unreachable 57
Monitoring TACACS+ 58
Additional References for Configuring Secure Shell 58

CHAPTER 6**Configuring RADIUS 61**

Finding Feature Information 61
Prerequisites for Configuring RADIUS 61
Restrictions for Configuring RADIUS 62
Information about RADIUS 63
 RADIUS and Switch Access 63
 RADIUS Overview 63
 RADIUS Operation 64
 RADIUS Change of Authorization 65
 Change-of-Authorization Requests 66

RFC 5176 Compliance	67
CoA Request Response Code	68
Session Identification	68
CoA ACK Response Code	69
CoA NAK Response Code	69
CoA Request Commands	69
Session Reauthentication	70
Session Reauthentication in a Switch Stack	70
Session Termination	70
CoA Disconnect-Request	71
CoA Request: Disable Host Port	71
CoA Request: Bounce-Port	72
Stacking Guidelines for Session Termination	72
Stacking Guidelines for CoA-Request Bounce-Port	72
Stacking Guidelines for CoA-Request Disable-Port	72
Default RADIUS Configuration	73
RADIUS Server Host	73
RADIUS Login Authentication	74
AAA Server Groups	74
AAA Authorization	75
RADIUS Accounting	75
Vendor-Specific RADIUS Attributes	75
Vendor-Proprietary RADIUS Server Communication	87
How to Configure RADIUS	87
Identifying the RADIUS Server Host	87
Configuring RADIUS Login Authentication	90
Defining AAA Server Groups	92
Configuring RADIUS Authorization for User Privileged Access and Network Services	94
Starting RADIUS Accounting	96
Configuring Settings for All RADIUS Servers	97
Configuring the Switch to Use Vendor-Specific RADIUS Attributes	99
Configuring the Switch for Vendor-Proprietary RADIUS Server Communication	101
Configuring CoA on the Switch	102
Monitoring CoA Functionality	105
Configuration Examples for Controlling Switch Access with RADIUS	106

- Examples: Identifying the RADIUS Server Host 106
- Example: Using Two Different RADIUS Group Servers 106
- Examples: Configuring the Switch to Use Vendor-Specific RADIUS Attributes 107
- Example: Configuring the Switch for Vendor-Proprietary RADIUS Server Communication 107
- Additional References for Configuring Secure Shell 107

CHAPTER 7**Configuring Kerberos 109**

- Finding Feature Information 109
- Prerequisites for Controlling Switch Access with Kerberos 109
- Information about Kerberos 110
 - Kerberos and Switch Access 110
 - Kerberos Overview 110
 - Kerberos Operation 113
 - Authenticating to a Boundary Switch 113
 - Obtaining a TGT from a KDC 113
 - Authenticating to Network Services 113
- How to Configure Kerberos 114
- Monitoring the Kerberos Configuration 114
- Additional References 114

CHAPTER 8**Configuring Local Authentication and Authorization 117**

- Finding Feature Information 117
- How to Configure Local Authentication and Authorization 117
 - Configuring the Switch for Local Authentication and Authorization 117
- Monitoring Local Authentication and Authorization 120
- Additional References 120

CHAPTER 9**Configuring Secure Shell (SSH) 123**

- Finding Feature Information 123
- Prerequisites for Configuring Secure Shell 123
- Restrictions for Configuring Secure Shell 124
- Information About Configuring Secure Shell 124
 - SSH and Switch Access 125
 - SSH Servers, Integrated Clients, and Supported Versions 125
 - SSH Configuration Guidelines 125

Secure Copy Protocol Overview	126
Secure Copy Protocol	126
How to Configure SSH	127
Setting Up the Switch to Run SSH	127
Configuring the SSH Server	128
Monitoring the SSH Configuration and Status	131
Additional References for Configuring Secure Shell	131

CHAPTER 10

Configuring Secure Socket Layer HTTP	133
Finding Feature Information	133
Information about Secure Sockets Layer (SSL) HTTP	133
Secure HTTP Servers and Clients Overview	133
Certificate Authority Trustpoints	134
CipherSuites	135
Default SSL Configuration	136
SSL Configuration Guidelines	136
How to Configure Secure HTTP Servers and Clients	137
Configuring a CA Trustpoint	137
Configuring the Secure HTTP Server	139
Configuring the Secure HTTP Client	143
Monitoring Secure HTTP Server and Client Status	144
Additional References for Configuring Secure Shell	145

CHAPTER 11

Configuring IPv4 ACLs	147
Finding Feature Information	147
Prerequisites for Configuring IPv4 Access Control Lists	147
Restrictions for Configuring IPv4 Access Control Lists	148
Information about Network Security with ACLs	149
Cisco TrustSec and ACLs	149
ACL Overview	149
Access Control Entries	150
ACL Supported Types	150
Supported ACLs	150
ACL Precedence	150
Port ACLs	151

Router ACLs	152
VLAN Maps	153
ACEs and Fragmented and Unfragmented Traffic	153
ACEs and Fragmented and Unfragmented Traffic Examples	154
ACLs and Switch Stacks	154
Active Switch and ACL Functions	154
Stack Member and ACL Functions	155
Active Switch Failure and ACLs	155
Standard and Extended IPv4 ACLs	155
IPv4 ACL Switch Unsupported Features	155
Access List Numbers	156
Numbered Standard IPv4 ACLs	157
Numbered Extended IPv4 ACLs	157
Named IPv4 ACLs	158
ACL Logging	158
Smart Logging	159
Hardware and Software Treatment of IP ACLs	159
VLAN Map Configuration Guidelines	159
VLAN Maps with Router ACLs	160
VLAN Maps and Router ACL Configuration Guidelines	160
VACL Logging	161
Time Ranges for ACLs	161
IPv4 ACL Interface Considerations	162
How to Configure ACLs	162
Configuring IPv4 ACLs	162
Creating a Numbered Standard ACL	163
Creating a Numbered Extended ACL	164
Creating Named Standard ACLs	168
Creating Extended Named ACLs	169
Configuring Time Ranges for ACLs	171
Applying an IPv4 ACL to a Terminal Line	173
Applying an IPv4 ACL to an Interface	175
Creating Named MAC Extended ACLs	176
Applying a MAC ACL to a Layer 2 Interface	178
Configuring VLAN Maps	180

Creating a VLAN Map	182
Applying a VLAN Map to a VLAN	184
Configuring VACL Logging	185
Monitoring IPv4 ACLs	187
Configuration Examples for ACLs	188
Examples: Using Time Ranges with ACLs	188
Examples: Including Comments in ACLs	188
Examples: Troubleshooting ACLs	189
IPv4 ACL Configuration Examples	190
ACLs in a Small Networked Office	190
Examples: ACLs in a Small Networked Office	191
Example: Numbered ACLs	191
Examples: Extended ACLs	191
Examples: Named ACLs	192
Examples: Time Range Applied to an IP ACL	193
Examples: Configuring Commented IP ACL Entries	193
Examples: ACL Logging	194
Configuration Examples for ACLs and VLAN Maps	195
Example: Creating an ACL and a VLAN Map to Deny a Packet	195
Example: Creating an ACL and a VLAN Map to Permit a Packet	195
Example: Default Action of Dropping IP Packets and Forwarding MAC Packets	195
Example: Default Action of Dropping MAC Packets and Forwarding IP Packets	196
Example: Default Action of Dropping All Packets	196
Configuration Examples for Using VLAN Maps in Your Network	197
Example: Wiring Closet Configuration	197
Example: Restricting Access to a Server on Another VLAN	198
Example: Denying Access to a Server on Another VLAN	198
Configuration Examples of Router ACLs and VLAN Maps Applied to VLANs	199
Example: ACLs and Switched Packets	199
Example: ACLs and Bridged Packets	199
Example: ACLs and Routed Packets	200
Example: ACLs and Multicast Packets	201
Additional References	201
Feature Information for IPv4 Access Control Lists	202

CHAPTER 12**Configuring IPv6 ACLs 205**

- Finding Feature Information 205
- IPv6 ACLs Overview 205
 - Switch Stacks and IPv6 ACLs 206
 - Interactions with Other Features and Switches 206
- Restrictions for IPv6 ACLs 207
- Default Configuration for IPv6 ACLs 207
- Configuring IPv6 ACLs 208
- Attaching an IPv6 ACL to an Interface 211
- Monitoring IPv6 ACLs 213
- Additional References 214

CHAPTER 13**Configuring DHCP 217**

- Finding Feature Information 217
- Information About DHCP 217
 - DHCP Server 217
 - DHCP Relay Agent 217
 - DHCP Snooping 218
 - Option-82 Data Insertion 219
 - Cisco IOS DHCP Server Database 222
 - DHCP Snooping Binding Database 222
 - DHCP Snooping and Switch Stacks 224
- How to Configure DHCP Features 224
 - Default DHCP Snooping Configuration 224
 - DHCP Snooping Configuration Guidelines 225
 - Configuring the DHCP Server 225
 - DHCP Server and Switch Stacks 225
 - Configuring the DHCP Relay Agent 226
 - Specifying the Packet Forwarding Address 227
 - Prerequisites for Configuring DHCP Snooping and Option 82 229
 - Enabling DHCP Snooping and Option 82 230
 - Enabling the Cisco IOS DHCP Server Database 233
 - Monitoring DHCP Snooping Information 233
- Configuring DHCP Server Port-Based Address Allocation 234

Information About Configuring DHCP Server Port-Based Address Allocation	234
Default Port-Based Address Allocation Configuration	234
Port-Based Address Allocation Configuration Guidelines	235
Enabling the DHCP Snooping Binding Database Agent	235
Enabling DHCP Server Port-Based Address Allocation	237
Monitoring DHCP Server Port-Based Address Allocation	239
Additional References	239

CHAPTER 14**Configuring IP Source Guard 241**

Finding Feature Information	241
Information About IP Source Guard	241
IP Source Guard	241
IP Source Guard for Static Hosts	242
IP Source Guard Configuration Guidelines	243
How to Configure IP Source Guard	243
Enabling IP Source Guard	243
Configuring IP Source Guard for Static Hosts on a Layer 2 Access Port	245
Monitoring IP Source Guard	247
Additional References	247

CHAPTER 15**Configuring Dynamic ARP Inspection 249**

Finding Feature Information	249
Restrictions for Dynamic ARP Inspection	249
Understanding Dynamic ARP Inspection	251
Interface Trust States and Network Security	252
Rate Limiting of ARP Packets	253
Relative Priority of ARP ACLs and DHCP Snooping Entries	254
Logging of Dropped Packets	254
Default Dynamic ARP Inspection Configuration	254
Relative Priority of ARP ACLs and DHCP Snooping Entries	255
Configuring ARP ACLs for Non-DHCP Environments	255
Configuring Dynamic ARP Inspection in DHCP Environments	258
Limiting the Rate of Incoming ARP Packets	261
Performing Dynamic ARP Inspection Validation Checks	263
Monitoring DAI	265

Verifying the DAI Configuration 266

Additional References 266

CHAPTER 16

Configuring IEEE 802.1x Port-Based Authentication 269

Finding Feature Information 269

Information About 802.1x Port-Based Authentication 269

Port-Based Authentication Process 270

Port-Based Authentication Initiation and Message Exchange 272

Authentication Manager for Port-Based Authentication 274

Port-Based Authentication Methods 274

Per-User ACLs and Filter-Ids 275

Port-Based Authentication Manager CLI Commands 276

Ports in Authorized and Unauthorized States 277

Port-Based Authentication and Switch Stacks 278

802.1x Host Mode 279

802.1x Multiple Authentication Mode 279

Multi-auth Per User VLAN assignment 280

Limitation in Multi-auth Per User VLAN assignment 281

MAC Move 282

MAC Replace 282

802.1x Accounting 283

802.1x Accounting Attribute-Value Pairs 283

802.1x Readiness Check 284

Switch-to-RADIUS-Server Communication 284

802.1x Authentication with VLAN Assignment 285

802.1x Authentication with Per-User ACLs 286

802.1x Authentication with Downloadable ACLs and Redirect URLs 287

Cisco Secure ACS and Attribute-Value Pairs for the Redirect URL 289

Cisco Secure ACS and Attribute-Value Pairs for Downloadable ACLs 289

VLAN ID-based MAC Authentication 290

802.1x Authentication with Guest VLAN 290

802.1x Authentication with Restricted VLAN 291

802.1x Authentication with Inaccessible Authentication Bypass 292

Inaccessible Authentication Bypass Support on Multiple-Authentication Ports 292

Inaccessible Authentication Bypass Authentication Results 292

Inaccessible Authentication Bypass Feature Interactions	293
802.1x Critical Voice VLAN	294
802.1x User Distribution	294
802.1x User Distribution Configuration Guidelines	295
IEEE 802.1x Authentication with Voice VLAN Ports	295
IEEE 802.1x Authentication with Port Security	296
IEEE 802.1x Authentication with Wake-on-LAN	296
IEEE 802.1x Authentication with MAC Authentication Bypass	296
Network Admission Control Layer 2 IEEE 802.1x Validation	298
Flexible Authentication Ordering	298
Open1x Authentication	299
Multidomain Authentication	299
Limiting Login for Users	300
802.1x Supplicant and Authenticator Switches with Network Edge Access Topology (NEAT)	301
Voice Aware 802.1x Security	302
Common Session ID	303
How to Configure 802.1x Port-Based Authentication	303
Default 802.1x Authentication Configuration	303
802.1x Authentication Configuration Guidelines	305
802.1x Authentication	305
VLAN Assignment, Guest VLAN, Restricted VLAN, and Inaccessible Authentication Bypass	306
MAC Authentication Bypass	307
Maximum Number of Allowed Devices Per Port	307
Configuring 802.1x Readiness Check	307
Configuring Voice Aware 802.1x Security	309
Configuring 802.1x Violation Modes	311
Configuring 802.1x Authentication	313
Configuring 802.1x Port-Based Authentication	314
Configuring the Switch-to-RADIUS-Server Communication	316
Configuring the Host Mode	318
Configuring Periodic Re-Authentication	319
Changing the Quiet Period	320
Changing the Switch-to-Client Retransmission Time	322

Setting the Switch-to-Client Frame-Retransmission Number	323
Setting the Re-Authentication Number	324
Enabling MAC Move	325
Enabling MAC Replace	327
Configuring 802.1x Accounting	328
Configuring a Guest VLAN	330
Configuring a Restricted VLAN	331
Configuring Number of Authentication Attempts on a Restricted VLAN	333
Configuring 802.1x Inaccessible Authentication Bypass with Critical Voice VLAN	335
Example of Configuring Inaccessible Authentication Bypass	338
Configuring 802.1x Authentication with WoL	339
Configuring MAC Authentication Bypass	340
Formatting a MAC Authentication Bypass Username and Password	341
Configuring 802.1x User Distribution	342
Example of Configuring VLAN Groups	343
Configuring NAC Layer 2 802.1x Validation	344
Configuring Limiting Login for Users	346
Configuring an Authenticator Switch with NEAT	347
Configuring a Supplicant Switch with NEAT	349
Configuring 802.1x Authentication with Downloadable ACLs and Redirect URLs	352
Configuring Downloadable ACLs	352
Configuring a Downloadable Policy	354
Configuring VLAN ID-based MAC Authentication	357
Configuring Flexible Authentication Ordering	357
Configuring Open1x	359
Disabling 802.1x Authentication on the Port	361
Resetting the 802.1x Authentication Configuration to the Default Values	362
Monitoring 802.1x Statistics and Status	363
Additional References for IEEE 802.1x Port-Based Authentication	364

CHAPTER 17**Configuring Web-Based Authentication 367**

Finding Feature Information	367
Web-Based Authentication Overview	367
Device Roles	368
Host Detection	369

Session Creation	369
Authentication Process	370
Local Web Authentication Banner	370
Web Authentication Customizable Web Pages	373
Guidelines	373
Authentication Proxy Web Page Guidelines	375
Redirection URL for Successful Login Guidelines	376
Web-based Authentication Interactions with Other Features	376
Port Security	376
LAN Port IP	376
Gateway IP	377
ACLs	377
Context-Based Access Control	377
EtherChannel	377
How to Configure Web-Based Authentication	377
Default Web-Based Authentication Configuration	377
Web-Based Authentication Configuration Guidelines and Restrictions	378
Configuring the Authentication Rule and Interfaces	379
Configuring AAA Authentication	381
Configuring Switch-to-RADIUS-Server Communication	383
Configuring the HTTP Server	385
Customizing the Authentication Proxy Web Pages	386
Specifying a Redirection URL for Successful Login	388
Configuring the Web-Based Authentication Parameters	389
Configuring a Web-Based Authentication Local Banner	390
Configuring Web-Based Authentication without SVI	392
Configuring Web-Based Authentication with VRF Aware	393
Removing Web-Based Authentication Cache Entries	395
Monitoring Web-Based Authentication Status	395

CHAPTER 18

Configuring Port-Based Traffic Control	397
Overview of Port-Based Traffic Control	397
Finding Feature Information	398
Information About Storm Control	398
Storm Control	398

How Traffic Activity is Measured	398
Traffic Patterns	399
How to Configure Storm Control	400
Configuring Storm Control and Threshold Levels	400
Configuring Small-Frame Arrival Rate	402
Information About Protected Ports	405
Protected Ports	405
Default Protected Port Configuration	405
Protected Ports Guidelines	405
How to Configure Protected Ports	405
Configuring a Protected Port	405
Monitoring Protected Ports	407
Where to Go Next	407
Information About Port Blocking	408
Port Blocking	408
How to Configure Port Blocking	408
Blocking Flooded Traffic on an Interface	408
Monitoring Port Blocking	410
Prerequisites for Port Security	410
Restrictions for Port Security	410
Information About Port Security	411
Port Security	411
Types of Secure MAC Addresses	411
Sticky Secure MAC Addresses	411
Security Violations	412
Port Security Aging	413
Port Security and Switch Stacks	413
Default Port Security Configuration	413
Port Security Configuration Guidelines	414
Overview of Port-Based Traffic Control	415
How to Configure Port Security	416
Enabling and Configuring Port Security	416
Enabling and Configuring Port Security Aging	420
Finding Feature Information	422
Information About Storm Control	422

Storm Control	422
How Traffic Activity is Measured	423
Traffic Patterns	423
How to Configure Storm Control	424
Configuring Storm Control and Threshold Levels	424
Configuring Small-Frame Arrival Rate	426
Information About Protected Ports	429
Protected Ports	429
Default Protected Port Configuration	429
Protected Ports Guidelines	429
How to Configure Protected Ports	429
Configuring a Protected Port	429
Monitoring Protected Ports	431
Where to Go Next	431
Information About Port Blocking	431
Port Blocking	431
How to Configure Port Blocking	432
Blocking Flooded Traffic on an Interface	432
Monitoring Port Blocking	434
Configuration Examples for Port Security	434
<hr/>	
CHAPTER 19	Configuring IPv6 First Hop Security 435
Finding Feature Information	435
Prerequisites for First Hop Security in IPv6	435
Restrictions for First Hop Security in IPv6	436
Information about First Hop Security in IPv6	436
How to Configure an IPv6 Snooping Policy	438
How to Attach an IPv6 Snooping Policy to an Interface	440
How to Attach an IPv6 Snooping Policy to a Layer 2 EtherChannel Interface	441
How to Attach an IPv6 Snooping Policy to VLANs Globally	442
How to Configure the IPv6 Binding Table Content	443
How to Configure an IPv6 Neighbor Discovery Inspection Policy	444
How to Attach an IPv6 Neighbor Discovery Inspection Policy to an Interface	446
How to Attach an IPv6 Neighbor Discovery Inspection Policy to a Layer 2 EtherChannel Interface	448

How to Attach an IPv6 Neighbor Discovery Inspection Policy to VLANs Globally	449
How to Configure an IPv6 Router Advertisement Guard Policy	450
How to Attach an IPv6 Router Advertisement Guard Policy to an Interface	452
How to Attach an IPv6 Router Advertisement Guard Policy to a Layer 2 EtherChannel Interface	453
How to Attach an IPv6 Router Advertisement Guard Policy to VLANs Globally	454
How to Configure an IPv6 DHCP Guard Policy	455
How to Attach an IPv6 DHCP Guard Policy to an Interface or a VLAN on an Interface	457
How to Attach an IPv6 DHCP Guard Policy to a Layer 2 EtherChannel Interface	459
How to Attach an IPv6 DHCP Guard Policy to VLANs Globally	460
Additional References	461

CHAPTER 20

Configuring Cisco TrustSec	463
Information about Cisco TrustSec	463
Finding Feature Information	463
Cisco TrustSec Features	464
Feature Information for Cisco TrustSec	466

CHAPTER 21

Configuring Wireless Guest Access	467
Finding Feature Information	467
Prerequisites for Guest Access	467
Restrictions for Guest Access	468
Information about Wireless Guest Access	468
Fast Secure Roaming	468
How to Configure Guest Access	469
Creating a Lobby Administrator Account	469
Configuring Guest User Accounts	470
Configuring Mobility Agent (MA)	471
Configuring Mobility Controller	473
Obtaining a Web Authentication Certificate	474
Displaying a Web Authentication Certificate	475
Choosing the Default Web Authentication Login Page	475
Choosing a Customized Web Authentication Login Page from an External Web Server	477
Assigning Login, Login Failure, and Logout Pages per WLAN	479
Configuring AAA-Override	480

Configuring Client Load Balancing	481
Configuring Preauthentication ACL	482
Configuring IOS ACL Definition	483
Configuring Webpassthrough	484
Configuration Examples for Guest Access	485
Example: Creating a Lobby Ambassador Account	485
Example: Obtaining Web Authentication Certificate	485
Example: Displaying a Web Authentication Certificate	486
Example: Configuring Guest User Accounts	487
Example: Configuring Mobility Controller	487
Example: Choosing the Default Web Authentication Login Page	488
Example: Choosing a Customized Web Authentication Login Page from an External Web Server	489
Example: Assigning Login, Login Failure, and Logout Pages per WLAN	489
Example: Configuring AAA-Override	489
Example: Configuring Client Load Balancing	490
Example: Configuring Preauthentication ACL	490
Example: Configuring IOS ACL Definition	490
Example: Configuring Webpassthrough	490
Additional References for Guest Access	491
Feature History and Information for Guest Access	492

CHAPTER 22**Managing Rogue Devices 493**

Finding Feature Information	493
Information About Rogue Devices	493
How to Configure Rogue Detection	498
Configuring Rogue Detection (CLI)	498
Configuring Rogue Detection (GUI)	499
Monitoring Rogue Detection	500
Examples: Rogue Detection Configuration	501
Additional References for Rogue Detection	501
Feature History and Information For Performing Rogue Detection Configuration	502

CHAPTER 23**Classifying Rogue Access Points 503**

Finding Feature Information	503
-----------------------------	-----

Information About Classifying Rogue Access Points	503
Restrictions on Classifying Rogue Access Points	506
How to Classify Rogue Access Points	507
Configuring Rogue Classification Rules (CLI)	507
Configuring Rogue Classification Rules (GUI)	510
Viewing and Classifying Rogue Devices (GUI)	512
Examples: Classifying Rogue Access Points	514
Additional References for Classifying Rogue Access Points	514
Feature History and Information For Classifying Rogue Access Points	515

CHAPTER 24**Configuring wIPS 517**

Finding Feature Information	517
Information About wIPS	517
How to Configure wIPS on an Access Point	524
Configuring wIPS on an Access Point (CLI)	524
Configuring wIPS on an Access Point (GUI)	525
Monitoring wIPS Information	526
Examples: wIPS Configuration	526
Additional References for Configuring wIPS	526
Feature History for Performing wIPS Configuration	527

CHAPTER 25**Configuring Intrusion Detection System 529**

Finding Feature Information	529
Information About Intrusion Detection System	529
How to Configure Intrusion Detection System	530
Configuring IDS Sensors	530
Monitoring Intrusion Detection System	531



Preface

- [Document Conventions](#), page xxiii
- [Related Documentation](#), page xxv
- [Obtaining Documentation and Submitting a Service Request](#), page xxv

Document Conventions

This document uses the following conventions:

Convention	Description
^ or Ctrl	Both the ^ symbol and Ctrl represent the Control (Ctrl) key on a keyboard. For example, the key combination ^D or Ctrl-D means that you hold down the Control key while you press the D key. (Keys are indicated in capital letters but are not case sensitive.)
bold font	Commands and keywords and user-entered text appear in bold font .
<i>Italic font</i>	Document titles, new or emphasized terms, and arguments for which you supply values are in <i>italic font</i> .
Courier font	Terminal sessions and information the system displays appear in <i>courier font</i> .
Bold Courier font	Bold Courier font indicates text that the user must enter.
[x]	Elements in square brackets are optional.
...	An ellipsis (three consecutive nonbolded periods without spaces) after a syntax element indicates that the element can be repeated.
	A vertical line, called a pipe, indicates a choice within a set of keywords or arguments.
[x y]	Optional alternative keywords are grouped in brackets and separated by vertical bars.

Convention	Description
{x y}	Required alternative keywords are grouped in braces and separated by vertical bars.
[x {y z}]	Nested set of square brackets or braces indicate optional or required choices within optional or required elements. Braces and a vertical bar within square brackets indicate a required choice within an optional element.
string	A nonquoted set of characters. Do not use quotation marks around the string or the string will include the quotation marks.
<>	Nonprinting characters such as passwords are in angle brackets.
[]	Default responses to system prompts are in square brackets.
!, #	An exclamation point (!) or a pound sign (#) at the beginning of a line of code indicates a comment line.

Reader Alert Conventions

This document may use the following conventions for reader alerts:



Note

Means *reader take note*. Notes contain helpful suggestions or references to material not covered in the manual.



Tip

Means *the following information will help you solve a problem*.



Caution

Means *reader be careful*. In this situation, you might do something that could result in equipment damage or loss of data.



Timesaver

Means *the described action saves time*. You can save time by performing the action described in the paragraph.



Warning

IMPORTANT SAFETY INSTRUCTIONS

This warning symbol means danger. You are in a situation that could cause bodily injury. Before you work on any equipment, be aware of the hazards involved with electrical circuitry and be familiar with standard practices for preventing accidents. Use the statement number provided at the end of each warning to locate its translation in the translated safety warnings that accompanied this device. Statement 1071

SAVE THESE INSTRUCTIONS

Related Documentation

**Note**

Before installing or upgrading the switch, refer to the switch release notes.

- Cisco Catalyst 3650 Series Switches documentation, located at:
http://www.cisco.com/go/cat3650_docs
- Cisco SFP, SFP+, and QSFP+ modules documentation, including compatibility matrixes, located at:
http://www.cisco.com/en/US/products/hw/modules/ps5455/tsd_products_support_series_home.html
- Error Message Decoder, located at:
<https://www.cisco.com/cgi-bin/Support/Errordecoder/index.cgi>

Obtaining Documentation and Submitting a Service Request

For information on obtaining documentation, submitting a service request, and gathering additional information, see the monthly *What's New in Cisco Product Documentation*, which also lists all new and revised Cisco technical documentation, at:

<http://www.cisco.com/c/en/us/td/docs/general/whatsnew/whatsnew.html>

Subscribe to the *What's New in Cisco Product Documentation* as a Really Simple Syndication (RSS) feed and set content to be delivered directly to your desktop using a reader application. The RSS feeds are a free service and Cisco currently supports RSS version 2.0.



Using the Command-Line Interface

- [Information About Using the Command-Line Interface, page 1](#)
- [How to Use the CLI to Configure Features, page 6](#)

Information About Using the Command-Line Interface

Command Modes

The Cisco IOS user interface is divided into many different modes. The commands available to you depend on which mode you are currently in. Enter a question mark (?) at the system prompt to obtain a list of commands available for each command mode.

You can start a CLI session through a console connection, through Telnet, an SSH, or by using the browser.

When you start a session, you begin in user mode, often called user EXEC mode. Only a limited subset of the commands are available in user EXEC mode. For example, most of the user EXEC commands are one-time commands, such as **show** commands, which show the current configuration status, and **clear** commands, which clear counters or interfaces. The user EXEC commands are not saved when the switch reboots.

To have access to all commands, you must enter privileged EXEC mode. Normally, you must enter a password to enter privileged EXEC mode. From this mode, you can enter any privileged EXEC command or enter global configuration mode.

Using the configuration modes (global, interface, and line), you can make changes to the running configuration. If you save the configuration, these commands are stored and used when the switch reboots. To access the various configuration modes, you must start at global configuration mode. From global configuration mode, you can enter interface configuration mode and line configuration mode .

This table describes the main command modes, how to access each one, the prompt you see in that mode, and how to exit the mode.

Table 1: Command Mode Summary

Mode	Access Method	Prompt	Exit Method	About This Mode
User EXEC	Begin a session using Telnet, SSH, or console.	Switch>	Enter logout or quit .	Use this mode to <ul style="list-style-type: none"> • Change terminal settings. • Perform basic tests. • Display system information.
Privileged EXEC	While in user EXEC mode, enter the enable command.	Switch#	Enter disable to exit.	Use this mode to verify commands that you have entered. Use a password to protect access to this mode.
Global configuration	While in privileged EXEC mode, enter the configure command.	Switch(config)#	To exit to privileged EXEC mode, enter exit or end , or press Ctrl-Z .	Use this mode to configure parameters that apply to the entire switch.
VLAN configuration	While in global configuration mode, enter the vlan <i>vlan-id</i> command.	Switch(config-vlan)#	To exit to global configuration mode, enter the exit command. To return to privileged EXEC mode, press Ctrl-Z or enter end .	Use this mode to configure VLAN parameters. When VTP mode is transparent, you can create extended-range VLANs (VLAN IDs greater than 1005) and save configurations in the switch startup configuration file.
Interface configuration	While in global configuration mode, enter the interface command (with a specific interface).	Switch(config-if)#		Use this mode to configure parameters for the Ethernet ports.

Mode	Access Method	Prompt	Exit Method	About This Mode
			To exit to global configuration mode, enter exit . To return to privileged EXEC mode, press Ctrl-Z or enter end .	
Line configuration	While in global configuration mode, specify a line with the line vty or line console command.	Switch(config-line)#	To exit to global configuration mode, enter exit . To return to privileged EXEC mode, press Ctrl-Z or enter end .	Use this mode to configure parameters for the terminal line.

Understanding Abbreviated Commands

You need to enter only enough characters for the switch to recognize the command as unique.

This example shows how to enter the **show configuration** privileged EXEC command in an abbreviated form:

```
Switch# show conf
```

No and Default Forms of Commands

Almost every configuration command also has a **no** form. In general, use the **no** form to disable a feature or function or reverse the action of a command. For example, the **no shutdown** interface configuration command reverses the shutdown of an interface. Use the command without the keyword **no** to reenab a disabled feature or to enable a feature that is disabled by default.

Configuration commands can also have a **default** form. The **default** form of a command returns the command setting to its default. Most commands are disabled by default, so the **default** form is the same as the **no** form. However, some commands are enabled by default and have variables set to certain default values. In these cases, the **default** command enables the command and sets variables to their default values.

CLI Error Messages

This table lists some error messages that you might encounter while using the CLI to configure your switch.

Table 2: Common CLI Error Messages

Error Message	Meaning	How to Get Help
<code>% Ambiguous command: "show con"</code>	You did not enter enough characters for your switch to recognize the command.	Reenter the command followed by a question mark (?) without any space between the command and the question mark. The possible keywords that you can enter with the command appear.
<code>% Incomplete command.</code>	You did not enter all of the keywords or values required by this command.	Reenter the command followed by a question mark (?) with a space between the command and the question mark. The possible keywords that you can enter with the command appear.
<code>% Invalid input detected at '^' marker.</code>	You entered the command incorrectly. The caret (^) marks the point of the error.	Enter a question mark (?) to display all of the commands that are available in this command mode. The possible keywords that you can enter with the command appear.

Configuration Logging

You can log and view changes to the switch configuration. You can use the Configuration Change Logging and Notification feature to track changes on a per-session and per-user basis. The logger tracks each configuration command that is applied, the user who entered the command, the time that the command was entered, and the parser return code for the command. This feature includes a mechanism for asynchronous notification to registered applications whenever the configuration changes. You can choose to have the notifications sent to the syslog.



Note Only CLI or HTTP changes are logged.

Using the Help System

You can enter a question mark (?) at the system prompt to display a list of commands available for each command mode. You can also obtain a list of associated keywords and arguments for any command.

SUMMARY STEPS

1. **help**
2. *abbreviated-command-entry ?*
3. *abbreviated-command-entry <Tab>*
4. *?*
5. *command ?*
6. *command keyword ?*

DETAILED STEPS

	Command or Action	Purpose
Step 1	help Example: Switch# help	Obtains a brief description of the help system in any command mode.
Step 2	<i>abbreviated-command-entry ?</i> Example: Switch# di? dir disable disconnect	Obtains a list of commands that begin with a particular character string.
Step 3	<i>abbreviated-command-entry <Tab></i> Example: Switch# sh conf<tab> Switch# show configuration	Completes a partial command name.
Step 4	<i>?</i> Example: Switch> ?	Lists all commands available for a particular command mode.
Step 5	<i>command ?</i> Example: Switch> show ?	Lists the associated keywords for a command.
Step 6	<i>command keyword ?</i> Example: Switch(config)# cdp holdtime ? <10-255> Length of time (in sec) that receiver must keep this packet	Lists the associated arguments for a keyword.

How to Use the CLI to Configure Features

Configuring the Command History

The software provides a history or record of commands that you have entered. The command history feature is particularly useful for recalling long or complex commands or entries, including access lists. You can customize this feature to suit your needs.

Changing the Command History Buffer Size

By default, the switch records ten command lines in its history buffer. You can alter this number for a current terminal session or for all sessions on a particular line. This procedure is optional.

SUMMARY STEPS

1. `terminal history [size number-of-lines]`

DETAILED STEPS

	Command or Action	Purpose
Step 1	terminal history [size <i>number-of-lines</i>] Example: Switch# <code>terminal history size 200</code>	Changes the number of command lines that the switch records during the current terminal session in privileged EXEC mode. You can configure the size from 0 to 256.

Recalling Commands

To recall commands from the history buffer, perform one of the actions listed in this table. These actions are optional.



Note

The arrow keys function only on ANSI-compatible terminals such as VT100s.

SUMMARY STEPS

1. **Ctrl-P** or use the **up arrow** key
2. **Ctrl-N** or use the **down arrow** key
3. `show history`

DETAILED STEPS

	Command or Action	Purpose
Step 1	Ctrl-P or use the up arrow key	Recalls commands in the history buffer, beginning with the most recent command. Repeat the key sequence to recall successively older commands.
Step 2	Ctrl-N or use the down arrow key	Returns to more recent commands in the history buffer after recalling commands with Ctrl-P or the up arrow key. Repeat the key sequence to recall successively more recent commands.
Step 3	show history Example: Switch# show history	Lists the last several commands that you just entered in privileged EXEC mode. The number of commands that appear is controlled by the setting of the terminal history global configuration command and the history line configuration command.

Disabling the Command History Feature

The command history feature is automatically enabled. You can disable it for the current terminal session or for the command line. This procedure is optional.

SUMMARY STEPS

1. **terminal no history**

DETAILED STEPS

	Command or Action	Purpose
Step 1	terminal no history Example: Switch# terminal no history	Disables the feature during the current terminal session in privileged EXEC mode.

Enabling and Disabling Editing Features

Although enhanced editing mode is automatically enabled, you can disable it and reenable it.

SUMMARY STEPS

1. **terminal editing**
2. **terminal no editing**

DETAILED STEPS

	Command or Action	Purpose
Step 1	terminal editing Example: Switch# <code>terminal editing</code>	Reenables the enhanced editing mode for the current terminal session in privileged EXEC mode.
Step 2	terminal no editing Example: Switch# <code>terminal no editing</code>	Disables the enhanced editing mode for the current terminal session in privileged EXEC mode.

Editing Commands Through Keystrokes

The keystrokes help you to edit the command lines. These keystrokes are optional.

**Note**

The arrow keys function only on ANSI-compatible terminals such as VT100s.

Table 3: Editing Commands

Editing Commands	Description
Ctrl-B or use the left arrow key	Moves the cursor back one character.
Ctrl-F or use the right arrow key	Moves the cursor forward one character.
Ctrl-A	Moves the cursor to the beginning of the command line.
Ctrl-E	Moves the cursor to the end of the command line.
Esc B	Moves the cursor back one word.
Esc F	Moves the cursor forward one word.
Ctrl-T	Transposes the character to the left of the cursor with the character located at the cursor.
Delete or Backspace key	Erases the character to the left of the cursor.
Ctrl-D	Deletes the character at the cursor.

Ctrl-K	Deletes all characters from the cursor to the end of the command line.
Ctrl-U or Ctrl-X	Deletes all characters from the cursor to the beginning of the command line.
Ctrl-W	Deletes the word to the left of the cursor.
Esc D	Deletes from the cursor to the end of the word.
Esc C	Capitalizes at the cursor.
Esc L	Changes the word at the cursor to lowercase.
Esc U	Capitalizes letters from the cursor to the end of the word.
Ctrl-V or Esc Q	Designates a particular keystroke as an executable command, perhaps as a shortcut.
Return key	Scrolls down a line or screen on displays that are longer than the terminal screen can display. Note The More prompt is used for any output that has more lines than can be displayed on the terminal screen, including show command output. You can use the Return and Space bar keystrokes whenever you see the More prompt.
Space bar	Scrolls down one screen.
Ctrl-L or Ctrl-R	Redisplays the current command line if the switch suddenly sends a message to your screen.

Editing Command Lines That Wrap

You can use a wraparound feature for commands that extend beyond a single line on the screen. When the cursor reaches the right margin, the command line shifts ten spaces to the left. You cannot see the first ten characters of the line, but you can scroll back and check the syntax at the beginning of the command. The keystroke actions are optional.

To scroll back to the beginning of the command entry, press **Ctrl-B** or the left arrow key repeatedly. You can also press **Ctrl-A** to immediately move to the beginning of the line.



Note

The arrow keys function only on ANSI-compatible terminals such as VT100s.

The following example shows how to wrap a command line that extends beyond a single line on the screen.

SUMMARY STEPS

1. **access-list**
2. **Ctrl-A**
3. **Return key**

DETAILED STEPS

	Command or Action	Purpose
Step 1	access-list Example: <pre>Switch(config)# access-list 101 permit tcp 10.15.22.25 255.255.255.0 10.15.22.35 Switch(config)# \$ 101 permit tcp 10.15.22.25 255.255.255.0 10.15.22.35 255.25 Switch(config)# \$t tcp 10.15.22.25 255.255.255.0 131.108.1.20 255.255.255.0 eq Switch(config)# \$15.22.25 255.255.255.0 10.15.22.35 255.255.255.0 eq 45</pre>	<p>Displays the global configuration command entry that extends beyond one line.</p> <p>When the cursor first reaches the end of the line, the line is shifted ten spaces to the left and redisplayed. The dollar sign (\$) shows that the line has been scrolled to the left. Each time the cursor reaches the end of the line, the line is again shifted ten spaces to the left.</p>
Step 2	Ctrl-A Example: <pre>Switch(config)# access-list 101 permit tcp 10.15.22.25 255.255.255.0 10.15.2\$</pre>	<p>Checks the complete syntax.</p> <p>The dollar sign (\$) appears at the end of the line to show that the line has been scrolled to the right.</p>
Step 3	Return key	<p>Execute the commands.</p> <p>The software assumes that you have a terminal screen that is 80 columns wide. If you have a different width, use the terminal width privileged EXEC command to set the width of your terminal.</p> <p>Use line wrapping with the command history feature to recall and modify previous complex command entries.</p>

Searching and Filtering Output of show and more Commands

You can search and filter the output for **show** and **more** commands. This is useful when you need to sort through large amounts of output or if you want to exclude output that you do not need to see. Using these commands is optional.

SUMMARY STEPS

1. **{show | more} command | {begin | include | exclude} regular-expression**

DETAILED STEPS

	Command or Action	Purpose
Step 1	<p>{show more} <i>command</i> {begin include exclude} <i>regular-expression</i></p> <p>Example: Switch# show interfaces include protocol Vlan1 is up, line protocol is up Vlan10 is up, line protocol is down GigabitEthernet1/0/1 is up, line protocol is down GigabitEthernet1/0/2 is up, line protocol is up</p>	<p>Searches and filters the output.</p> <p>Expressions are case sensitive. For example, if you enter exclude output, the lines that contain output are not displayed, but the lines that contain output appear.</p>

Accessing the CLI on a Switch Stack

You can access the CLI through a console connection, through Telnet, a SSH, or by using the browser.

You manage the switch stack and the stack member interfaces through the active switch. You cannot manage stack members on an individual switch basis. You can connect to the active switch through the console port or the Ethernet management port of one or more stack members. Be careful with using multiple CLI sessions on the active switch. Commands that you enter in one session are not displayed in the other sessions. Therefore, it is possible to lose track of the session from which you entered commands.


Note

We recommend using one CLI session when managing the switch stack.

If you want to configure a specific stack member port, you must include the stack member number in the CLI command interface notation.

To debug the standby switch, use the **session standby ios** privileged EXEC command from the active switch to access the IOS console of the standby switch. To debug a specific stack member, use the **session switch stack-member-number** privileged EXEC command from the active switch to access the diagnostic shell of the stack member. For more information about these commands, see the switch command reference.

Accessing the CLI Through a Console Connection or Through Telnet

Before you can access the CLI, you must connect a terminal or a PC to the switch console or connect a PC to the Ethernet management port and then power on the switch, as described in the hardware installation guide that shipped with your switch.

If your switch is already configured, you can access the CLI through a local console connection or through a remote Telnet session, but your switch must first be configured for this type of access.

You can use one of these methods to establish a connection with the switch:

- Connect the switch console port to a management station or dial-up modem, or connect the Ethernet management port to a PC. For information about connecting to the console or Ethernet management port, see the switch hardware installation guide.

- Use any Telnet TCP/IP or encrypted Secure Shell (SSH) package from a remote management station. The switch must have network connectivity with the Telnet or SSH client, and the switch must have an enable secret password configured.
 - The switch supports up to 16 simultaneous Telnet sessions. Changes made by one Telnet user are reflected in all other Telnet sessions.
 - The switch supports up to five simultaneous secure SSH sessions.

After you connect through the console port, through the Ethernet management port, through a Telnet session or through an SSH session, the user EXEC prompt appears on the management station.



Using the Web Graphical User Interface

- [Prerequisites for Using the Web GUI, page 13](#)
- [Information About Using The Web GUI, page 13](#)
- [Connecting the Console Port of the Switch , page 15](#)
- [Logging On to the GUI, page 15](#)
- [Enabling Web and Secure Web Modes , page 16](#)
- [Configuring the Switch Web GUI, page 16](#)

Prerequisites for Using the Web GUI

- Operating Systems:
 - Windows 7
 - Windows 8
 - Mac OS X 10.8
- Browsers:
 - Google Chrome, version 35
 - Microsoft Internet Explorer, versions 10 or 11
 - Mozilla Firefox, version 30 or later
 - Safari, version 6.1

Information About Using The Web GUI

A web browser, or graphical user interface (GUI), is built into each switch.

You can use either the service port interface or the management interface to access the GUI. We recommend that you use the service-port interface. Click Help at the top of any page in the GUI to display online help. You might need to disable your browser's pop-up blocker to view the online help.

**Note**

The following special characters are not supported in the GUI: ampersand (&), semicolon (;), and lesser than (<).

Web GUI Features

The switch web GUI supports the following:

The Configuration Wizard—After initial configuration of the IP address and the local username/password or auth via the authentication server (privilege 15 needed), the wizard provides a method to complete the initial wireless configuration. Start the wizard through Configuration -> Wizard and follow the nine-step process to configure the following:

- Admin Users
- SNMP System Summary
- Management Port
- Wireless Management
- RF Mobility and Country code
- Mobility configuration
- WLANs
- 802.11 Configuration
- Set Time

The Monitor tab:

- Displays summary details of switch, clients, and access points.
- Displays all radio and AP join statistics.
- Displays air quality on access points.
- Displays list of all Cisco Discovery Protocol (CDP) neighbors on all interfaces and the CDP traffic information.
- Displays all rogue access points based on their classification-friendly, malicious, ad hoc, classified, and unclassified.

The Configuration tab:

- Enables you to configure the switch for all initial operation using the web Configuration Wizard. The wizard allows you to configure user details, management interface, and so on.
- Enables you to configure the system, internal DHCP server, management, and mobility management parameters.

- Enables you to configure the switch, WLAN, and radios.
- Enables you to configure and set security policies on your switch.
- Enables you to access the switch operating system software management commands.

The Administration tab enables you to configure system logs.

Connecting the Console Port of the Switch

Before You Begin

Before you can configure the switch for basic operations, you need to connect it to a PC that uses a VT-100 terminal emulation program (such as HyperTerminal, ProComm, Minicom, or Tip).

-
- Step 1** Connect one end of a null-modem serial cable to the switch's RJ-45 console port and the other end to your PC's serial port.
- Step 2** Plug the AC power cord into the switch and a grounded 100 to 240 VAC, 50/60-Hz electrical outlet. Turn on the power supply. The bootup script displays operating system software initialization (code download and power-on self-test verification) and basic configuration. If the switch passes the power-on self-test, the bootup script runs the configuration wizard, which prompts you for basic configuration input.
- Step 3** Enter **yes**. Proceed with basic initial setup configuration parameters in the CLI setup wizard. Specify the IP address for the service port which is the gigabitethernet 0/0 interface.
After entering the configuration parameters in the configuration wizard, you can access the Web GUI. Now, the switch is configured with the IP address for service port.
-

Logging On to the GUI



Note Do not configure TACACS authentication when the controller is set to use local authentication.

Enter the switch IP address in your browser's address bar. For a secure connection, enter **https://ip-address**. For a less secure connection, enter **http://ip-address**.

Enabling Web and Secure Web Modes

-
- Step 1** Choose **Configuration > Switch > Management > Protocol Management > HTTP-HTTPS**.
The **HTTP-HTTPS Configuration** page appears.
- Step 2** To enable web mode, which allows users to access the switch GUI using “http://ip-address,” choose Enabled from the HTTP Access drop-down list. Otherwise, choose Disabled. Web mode (HTTP) is not a secure connection.
- Step 3** To enable secure web mode, which allows users to access the switch GUI using “https://ip-address,” choose Enabled from the HTTPS Access drop-down list. Otherwise, choose Disabled. Secure web mode (HTTPS) is a secure connection.
- Step 4** Choose to track the device in the IP Device Tracking check box.
- Step 5** Choose to enable the trust point in the Enable check box.
- Step 6** Choose the trustpoints from the Trustpoints drop-down list.
- Step 7** Enter the amount of time, in seconds, before the web session times out due to inactivity in the HTTP Timeout-policy (1 to 600 sec) text box.
The valid range is from 1 to 600 seconds.
- Step 8** Enter the server life time in the Server Life Time (1 to 86400 sec) text box.
The valid range is from 1 to 86400 seconds.
- Step 9** Enter the maximum number of connection requests that the server can accept in the Maximum number of Requests (1 to 86400) text box.
The valid range is from 1 to 86400 connections.
- Step 10** Click **Apply**.
- Step 11** Click **Save Configuration**.
-

Configuring the Switch Web GUI

The configuration wizard enables you to configure basic settings on the switch. You can run the wizard after you receive the switch from the factory or after the switch has been reset to factory defaults. The configuration wizard is available in both GUI and CLI formats.

-
- Step 1** Connect your PC to the service port and configure an IPv4 address to use the same subnet as the switch. The switch is loaded with IOS XE image and the service port interface is configured as gigabitethernet 0/0.
- Step 2** Start Internet Explorer 10 (or later), Firefox 2.0.0.11 (or later), or Google Chrome on your PC and enter the management interface IP address on the browser window. The management interface IP address is same as the gigabitethernet 0/0 (also known as service port interface). When you log in for the first time, you need to enter HTTP username and password. By default, the username is **admin** and the password is **cisco**.
You can use both HTTP and HTTPS when using the service port interface. HTTPS is enabled by default and HTTP can also be enabled.

When you log in for the first time, the **Accessing Cisco Switch** <Model Number> <Hostname> page appears.

Step 3 On the **Accessing Cisco Switch** page, click the **Wireless Web GUI** link to access switch web GUI **Home** page.

Step 4 Choose **Configuration > Wizard** to perform all steps that you need to configure the switch initially.
The **Admin Users** page appears.

Step 5 On the **Admin Users** page, enter the administrative username to be assigned to this switch in the User Name text box and the administrative password to be assigned to this switch in the Password and Confirm Password text boxes. Click **Next**.

The default username is **admin** and the default password is **cisco**. You can also create a new administrator user for the switch. You can enter up to 24 ASCII characters for username and password.

The **SNMP System Summary** page appears.

Step 6 On the **SNMP System Summary** page, enter the following SNMP system parameters for the switch, and click **Next**:

- Customer-definable switch location in the Location text box.
- Customer-definable contact details such as phone number with names in the Contact text box.
- Choose **enabled** to send SNMP notifications for various SNMP traps or **disabled** not to send SNMP notifications for various SNMP traps from the SNMP Global Trap drop-down list.
- Choose **enabled** to send system log messages or **disabled** not to send system log messages from the SNMP Logging drop-down list.

Note The SNMP trap server, must be reachable through the distribution ports (and not through the gigabitethernet0/0 service or management interface).

The **Management Port** page appears.

Step 7 In the **Management Port** page, enter the following parameters for the management port interface (gigabitethernet 0/0) and click **Next**.

- Interface IP address that you assigned for the service port in the IP Address text box.
- Network mask address of the management port interface in the Netmask text box.
- The IPv4 Dynamic Host Configuration Protocol (DHCP) address for the selected port in the IPv4 DHCP Server text box.

The **Wireless Management** page appears.

Step 8 In the **Wireless Management** page, enter the following wireless interface management details, and click **Next**.

- Choose the interface—VLAN, or Ten Gigabit Ethernet from the Select Interface drop-down list.
- VLAN tag identifier, or 0 for no VLAN tag in the VLAN id text box.
- IP address of wireless management interface where access points are connected in the IP Address text box.
- Network mask address of the wireless management interface in the Netmask text box.
- DHCP IPv4 IP address in the IPv4 DHCP Server text box.

When selecting VLAN as interface, you can specify the ports as –Trunk or Access ports from the selected list displayed in the Switch Port Configuration text box.

The **RF Mobility and Country Code** page appears.

Step 9 In the **RF Mobility and Country Code** page, enter the RF mobility domain name in the RF Mobility text box, choose current country code from the Country Code drop-down list, and click **Next**. From the GUI, you can select only one country code.

Note Before configuring RF grouping parameters and mobility configuration, ensure that you refer to the relevant conceptual content and then proceed with the configuration.

The **Mobility Configuration** page with mobility global configuration settings appears.

Step 10 In the **Mobility Configuration** page, view and enter the following mobility global configuration settings, and click **Next**.

- Choose **Mobility Controller** or **Mobility Agent** from the Mobility Role drop-down list:
 - If Mobility Agent is chosen, enter the mobility controller IP address in the Mobility Controller IP Address text box and mobility controller IP address in the Mobility Controller Public IP Address text box.
 - If Mobility Controller is chosen, then the mobility controller IP address and mobility controller public IP address are displayed in the respective text boxes.
- Displays mobility protocol port number in the Mobility Protocol Port text box.
- Displays the mobility switch peer group name in the Mobility Switch Peer Group Name text box.
- Displays whether DTLS is enabled in the DTLS Mode text box.

DTLS is a standards-track Internet Engineering Task Force (IETF) protocol based on TLS.
- Displays mobility domain identifier for 802.11 radios in the Mobility Domain ID for 802.11 radios text box.
- The amount of time (in seconds) between each ping request sent to an peer switch in the Mobility Keepalive Interval (1-30)sec text box.

Valid range is from 1 to 30 seconds, and the default value is 10 seconds.
- Number of times a ping request is sent to an peer switch before the peer is considered to be unreachable in the Mobility Keepalive Count (3-20) text box.

The valid range is from 3 to 20, and the default value is 3.
- The DSCP value that you can set for the mobility switch in the Mobility Control Message DSCP Value (0-63) text box.

The valid range is 0 to 63, and the default value is 0.
- Displays the number of mobility switch peer group member configured in the Switch Peer Group Members Configured text box.

The **WLANs** page appears.

Step 11 In the **WLANs** page, enter the following WLAN configuration parameters, and click **Next**.

- WLAN identifier in the WLAN ID text box.
- SSID of the WLAN that the client is associated with in the SSID text box.
- Name of the WLAN used by the client in the Profile Name text box.

The **802.11 Configuration** page appears.

Step 12 In the **802.11 Configuration** page, check either one or both 802.11a/n/ac and 802.11b/g/n check boxes to enable the 802.11 radios, and click **Next**.
The **Set Time** page appears.

Step 13 In the **Set Time** page, you can configure the time and date on the switch based on the following parameters, and click **Next**.

- Displays current timestamp on the switch in the Current Time text box.
- Choose either Manual or NTP from the Mode drop-down list.
On using the NTP server, all access points connected to the switch, synchronizes its time based on the NTP server settings available.
- Choose date on the switch from the Year, Month, and Day drop-down list.
- Choose time from the Hours, Minutes, and Seconds drop-down list.
- Enter the time zone in the Zone text box and select the off setting required when compared to the current time configured on the switch from the Offset drop-down list.

The **Save Wizard** page appears.

Step 14 In the **Save Wizard** page, you can review the configuration settings performed on the switch using these steps, and if you wish to change any configuration value, click **Previous** and navigate to that page.
You can save the switch configuration created using the wizard only if a success message is displayed for all the wizards. If the **Save Wizard** page displays errors, you must recreate the wizard for initial configuration of the switch.



Preventing Unauthorized Access

- [Finding Feature Information, page 21](#)
- [Preventing Unauthorized Access, page 21](#)

Finding Feature Information

Your software release may not support all the features documented in this module. For the latest caveats and feature information, see Bug Search Tool and the release notes for your platform and software release. To find information about the features documented in this module, and to see a list of the releases in which each feature is supported, see the feature information table at the end of this module.

Use Cisco Feature Navigator to find information about platform support and Cisco software image support. To access Cisco Feature Navigator, go to <http://www.cisco.com/go/cfn>. An account on Cisco.com is not required.

Preventing Unauthorized Access

You can prevent unauthorized users from reconfiguring your switch and viewing configuration information. Typically, you want network administrators to have access to your switch while you restrict access to users who dial from outside the network through an asynchronous port, connect from outside the network through a serial port, or connect through a terminal or workstation from within the local network.

To prevent unauthorized access into your switch, you should configure one or more of these security features:

- At a minimum, you should configure passwords and privileges at each switch port. These passwords are locally stored on the switch. When users attempt to access the switch through a port or line, they must enter the password specified for the port or line before they can access the switch.
- For an additional layer of security, you can also configure username and password pairs, which are locally stored on the switch. These pairs are assigned to lines or ports and authenticate each user before that user can access the switch. If you have defined privilege levels, you can also assign a specific privilege level (with associated rights and privileges) to each username and password pair.
- If you want to use username and password pairs, but you want to store them centrally on a server instead of locally, you can store them in a database on a security server. Multiple networking devices can then use the same database to obtain user authentication (and, if necessary, authorization) information.

- You can also enable the login enhancements feature, which logs both failed and unsuccessful login attempts. Login enhancements can also be configured to block future login attempts after a set number of unsuccessful attempts are made. For more information, see the Cisco IOS Login Enhancements documentation.

Related Topics

[Configuring Username and Password Pairs, on page 33](#)

[TACACS+ and Switch Access, on page 45](#)

[Setting a Telnet Password for a Terminal Line, on page 31](#)



Controlling Switch Access with Passwords and Privilege Levels

- [Finding Feature Information, page 23](#)
- [Restrictions for Controlling Switch Access with Passwords and Privileges, page 23](#)
- [Information About Passwords and Privilege Levels, page 24](#)
- [How to Control Switch Access with Passwords and Privilege Levels, page 26](#)
- [Monitoring Switch Access, page 39](#)
- [Configuration Examples for Setting Passwords and Privilege Levels, page 39](#)
- [Additional References, page 40](#)

Finding Feature Information

Your software release may not support all the features documented in this module. For the latest caveats and feature information, see Bug Search Tool and the release notes for your platform and software release. To find information about the features documented in this module, and to see a list of the releases in which each feature is supported, see the feature information table at the end of this module.

Use Cisco Feature Navigator to find information about platform support and Cisco software image support. To access Cisco Feature Navigator, go to <http://www.cisco.com/go/cfn>. An account on Cisco.com is not required.

Restrictions for Controlling Switch Access with Passwords and Privileges

The following are the restrictions for controlling switch access with passwords and privileges:

- Disabling password recovery will not work if you have set the switch to boot up manually by using the **boot manual** global configuration command. This command produces the boot loader prompt (*switch:*) after the switch is power cycled.

Related Topics

[Disabling Password Recovery, on page 30](#)

[Password Recovery, on page 25](#)

Information About Passwords and Privilege Levels

Default Password and Privilege Level Configuration

A simple way of providing terminal access control in your network is to use passwords and assign privilege levels. Password protection restricts access to a network or network device. Privilege levels define what commands users can enter after they have logged into a network device.

This table shows the default password and privilege level configuration.

Table 4: Default Password and Privilege Levels

Feature	Default Setting
Enable password and privilege level	No password is defined. The default is level 15 (privileged EXEC level). The password is not encrypted in the configuration file.
Enable secret password and privilege level	No password is defined. The default is level 15 (privileged EXEC level). The password is encrypted before it is written to the configuration file.
Line password	No password is defined.

Additional Password Security

To provide an additional layer of security, particularly for passwords that cross the network or that are stored on a Trivial File Transfer Protocol (TFTP) server, you can use either the **enable password** or **enable secret** global configuration commands. Both commands accomplish the same thing; that is, you can establish an encrypted password that users must enter to access privileged EXEC mode (the default) or any privilege level you specify.

We recommend that you use the **enable secret** command because it uses an improved encryption algorithm.

If you configure the **enable secret** command, it takes precedence over the **enable password** command; the two commands cannot be in effect simultaneously.

If you enable password encryption, it applies to all passwords including username passwords, authentication key passwords, the privileged command password, and console and virtual terminal line passwords.

Related Topics

[Protecting Enable and Enable Secret Passwords with Encryption, on page 28](#)

[Example: Protecting Enable and Enable Secret Passwords with Encryption, on page 39](#)

Password Recovery

By default, any end user with physical access to the switch can recover from a lost password by interrupting the boot process while the switch is powering on and then by entering a new password.

The password-recovery disable feature protects access to the switch password by disabling part of this functionality. When this feature is enabled, the end user can interrupt the boot process only by agreeing to set the system back to the default configuration. With password recovery disabled, you can still interrupt the boot process and change the password, but the configuration file (config.text) and the VLAN database file (vlan.dat) are deleted.

If you disable password recovery, we recommend that you keep a backup copy of the configuration file on a secure server in case the end user interrupts the boot process and sets the system back to default values. Do not keep a backup copy of the configuration file on the switch. If the switch is operating in VTP transparent mode, we recommend that you also keep a backup copy of the VLAN database file on a secure server. When the switch is returned to the default system configuration, you can download the saved files to the switch by using the Xmodem protocol.

To re-enable password recovery, use the **service password-recovery** global configuration command.

Related Topics

[Disabling Password Recovery, on page 30](#)

[Restrictions for Controlling Switch Access with Passwords and Privileges, on page 23](#)

Terminal Line Telnet Configuration

When you power-up your switch for the first time, an automatic setup program runs to assign IP information and to create a default configuration for continued use. The setup program also prompts you to configure your switch for Telnet access through a password. If you did not configure this password during the setup program, you can configure it when you set a Telnet password for a terminal line.

Related Topics

[Setting a Telnet Password for a Terminal Line, on page 31](#)

[Example: Setting a Telnet Password for a Terminal Line, on page 40](#)

Username and Password Pairs

You can configure username and password pairs, which are locally stored on the switch. These pairs are assigned to lines or ports and authenticate each user before that user can access the switch. If you have defined privilege levels, you can also assign a specific privilege level (with associated rights and privileges) to each username and password pair.

Related Topics

[Configuring Username and Password Pairs, on page 33](#)

Privilege Levels

Cisco switches (and other devices) use privilege levels to provide password security for different levels of switch operation. By default, the Cisco IOS software operates in two modes (privilege levels) of password security: user EXEC (Level 1) and privileged EXEC (Level 15). You can configure up to 16 hierarchical levels of commands for each mode. By configuring multiple passwords, you can allow different sets of users to have access to specified commands.

Privilege Levels on Lines

Users can override the privilege level you set using the **privilege level** line configuration command by logging in to the line and enabling a different privilege level. They can lower the privilege level by using the **disable** command. If users know the password to a higher privilege level, they can use that password to enable the higher privilege level. You might specify a high level or privilege level for your console line to restrict line usage.

For example, if you want many users to have access to the **clear line** command, you can assign it level 2 security and distribute the level 2 password fairly widely. But if you want more restricted access to the **configure** command, you can assign it level 3 security and distribute that password to a more restricted group of users.

Command Privilege Levels

When you set a command to a privilege level, all commands whose syntax is a subset of that command are also set to that level. For example, if you set the **show ip traffic** command to level 15, the **show** commands and **show ip** commands are automatically set to privilege level 15 unless you set them individually to different levels.

Related Topics

[Setting the Privilege Level for a Command, on page 35](#)

[Example: Setting the Privilege Level for a Command, on page 40](#)

[Changing the Default Privilege Level for Lines, on page 37](#)

[Logging into and Exiting a Privilege Level, on page 38](#)

How to Control Switch Access with Passwords and Privilege Levels

Setting or Changing a Static Enable Password

The enable password controls access to the privileged EXEC mode. Follow these steps to set or change a static enable password:

SUMMARY STEPS

1. **enable**
2. **configure terminal**
3. **enable password** *password*
4. **end**
5. **show running-config**
6. **copy running-config startup-config**

DETAILED STEPS

	Command or Action	Purpose
Step 1	enable Example: Switch> enable	Enables privileged EXEC mode. Enter your password if prompted.
Step 2	configure terminal Example: Switch# configure terminal	Enters the global configuration mode.
Step 3	enable password <i>password</i> Example: Switch(config)# enable password secret321	<p>Defines a new password or changes an existing password for access to privileged EXEC mode.</p> <p>By default, no password is defined.</p> <p>For <i>password</i>, specify a string from 1 to 25 alphanumeric characters. The string cannot start with a number, is case sensitive, and allows spaces but ignores leading spaces. It can contain the question mark (?) character if you precede the question mark with the key combination Ctrl-v when you create the password; for example, to create the password abc?123, do this:</p> <ol style="list-style-type: none"> 1 Enter abc. 2 Enter Ctrl-v. 3 Enter ?123. <p>When the system prompts you to enter the enable password, you need not precede the question mark with the Ctrl-v; you can simply enter abc?123 at the password prompt.</p>

	Command or Action	Purpose
Step 4	end Example: Switch(config)# end	Returns to privileged EXEC mode.
Step 5	show running-config Example: Switch# show running-config	Verifies your entries.
Step 6	copy running-config startup-config Example: Switch# copy running-config startup-config	(Optional) Saves your entries in the configuration file.

Related Topics

[Example: Setting or Changing a Static Enable Password, on page 39](#)

Protecting Enable and Enable Secret Passwords with Encryption

Follow these steps to establish an encrypted password that users must enter to access privileged EXEC mode (the default) or any privilege level you specify:

SUMMARY STEPS

1. **enable**
2. **configure terminal**
3. Use one of the following:
 - **enable password** [level *level*]
{*password* | *encryption-type encrypted-password*}
 - **enable secret** [level *level*]
{*password* | *encryption-type encrypted-password*}
4. **service password-encryption**
5. **end**
6. **show running-config**
7. **copy running-config startup-config**

DETAILED STEPS

	Command or Action	Purpose
Step 1	<p>enable</p> <p>Example:</p> <pre>Switch> enable</pre>	Enables privileged EXEC mode. Enter your password if prompted.
Step 2	<p>configure terminal</p> <p>Example:</p> <pre>Switch# configure terminal</pre>	Enters the global configuration mode.
Step 3	<p>Use one of the following:</p> <ul style="list-style-type: none"> • enable password [<i>level level</i>] {<i>password</i> <i>encryption-type</i> <i>encrypted-password</i>} • enable secret [<i>level level</i>] {<i>password</i> <i>encryption-type</i> <i>encrypted-password</i>} <p>Example:</p> <pre>Switch(config)# enable password example102</pre> <p>or</p> <pre>Switch(config)# enable secret level 1 password secret123sample</pre>	<ul style="list-style-type: none"> • Defines a new password or changes an existing password for access to privileged EXEC mode. • Defines a secret password, which is saved using a nonreversible encryption method. <ul style="list-style-type: none"> ◦ (Optional) For <i>level</i>, the range is from 0 to 15. Level 1 is normal user EXEC mode privileges. The default level is 15 (privileged EXEC mode privileges). ◦ For <i>password</i>, specify a string from 1 to 25 alphanumeric characters. The string cannot start with a number, is case sensitive, and allows spaces but ignores leading spaces. By default, no password is defined. ◦ (Optional) For <i>encryption-type</i>, only type 5, a Cisco proprietary encryption algorithm, is available. If you specify an encryption type, you must provide an encrypted password—an encrypted password that you copy from another switch configuration. <p>Note If you specify an encryption type and then enter a clear text password, you can not re-enter privileged EXEC mode. You cannot recover a lost encrypted password by any method.</p>
Step 4	<p>service password-encryption</p> <p>Example:</p> <pre>Switch(config)# service password-encryption</pre>	<p>(Optional) Encrypts the password when the password is defined or when the configuration is written.</p> <p>Encryption prevents the password from being readable in the configuration file.</p>

	Command or Action	Purpose
Step 5	end Example: Switch(config)# end	Returns to privileged EXEC mode.
Step 6	show running-config Example: Switch# show running-config	Verifies your entries.
Step 7	copy running-config startup-config Example: Switch# copy running-config startup-config	(Optional) Saves your entries in the configuration file.

Related Topics

[Additional Password Security](#), on page 24

[Example: Protecting Enable and Enable Secret Passwords with Encryption](#), on page 39

Disabling Password Recovery

Follow these steps to disable password recovery to protect the security of your switch:

Before You Begin

If you disable password recovery, we recommend that you keep a backup copy of the configuration file on a secure server in case the end user interrupts the boot process and sets the system back to default values. Do not keep a backup copy of the configuration file on the switch. If the switch is operating in VTP transparent mode, we recommend that you also keep a backup copy of the VLAN database file on a secure server. When the switch is returned to the default system configuration, you can download the saved files to the switch by using the Xmodem protocol.

SUMMARY STEPS

1. **enable**
2. **configure terminal**
3. **system disable password recovery switch** *{all | <1-9>}*
4. **end**

DETAILED STEPS

	Command or Action	Purpose
Step 1	enable Example: Switch> enable	Enables privileged EXEC mode. Enter your password if prompted.
Step 2	configure terminal Example: Switch# configure terminal	Enters the global configuration mode.
Step 3	system disable password recovery switch { <i>all</i> <1-9>} Example: Switch(config)# system disable password recovery switch all	Disables password recovery. <ul style="list-style-type: none"> • <i>all</i> - Sets the configuration on switches in stack. • <1-9> - Sets the configuration on the Switch Number selected. This setting is saved in an area of the flash memory that is accessible by the boot loader and the Cisco IOS image, but it is not part of the file system and is not accessible by any user.
Step 4	end Example: Switch(config)# end	Returns to privileged EXEC mode.

What to Do Next

To remove **disable password recovery**, use the **no system disable password recovery switch all** global configuration command.

Related Topics

[Password Recovery, on page 25](#)

[Restrictions for Controlling Switch Access with Passwords and Privileges, on page 23](#)

Setting a Telnet Password for a Terminal Line

Beginning in user EXEC mode, follow these steps to set a Telnet password for the connected terminal line:

Before You Begin

- Attach a PC or workstation with emulation software to the switch console port, or attach a PC to the Ethernet management port.

- The default data characteristics of the console port are 9600, 8, 1, no parity. You might need to press the Return key several times to see the command-line prompt.

SUMMARY STEPS

1. **enable**
2. **configure terminal**
3. **line vty 0 15**
4. **password *password***
5. **end**
6. **show running-config**
7. **copy running-config startup-config**

DETAILED STEPS

	Command or Action	Purpose
Step 1	enable Example: Switch> enable	Note If a password is required for access to privileged EXEC mode, you will be prompted for it. Enters privileged EXEC mode.
Step 2	configure terminal Example: Switch# configure terminal	Enters the global configuration mode.
Step 3	line vty 0 15 Example: Switch(config)# line vty 0 15	Configures the number of Telnet sessions (lines), and enters line configuration mode. There are 16 possible sessions on a command-capable Switch. The 0 and 15 mean that you are configuring all 16 possible Telnet sessions.
Step 4	password <i>password</i> Example: Switch(config-line)# password abcxyz543	Sets a Telnet password for the line or lines. For <i>password</i> , specify a string from 1 to 25 alphanumeric characters. The string cannot start with a number, is case sensitive, and allows spaces but ignores leading spaces. By default, no password is defined.
Step 5	end Example: Switch(config-line)# end	Returns to privileged EXEC mode.

	Command or Action	Purpose
Step 6	show running-config Example: Switch# show running-config	Verifies your entries.
Step 7	copy running-config startup-config Example: Switch# copy running-config startup-config	(Optional) Saves your entries in the configuration file.

Related Topics

[Preventing Unauthorized Access, on page 21](#)

[Terminal Line Telnet Configuration, on page 25](#)

[Example: Setting a Telnet Password for a Terminal Line, on page 40](#)

Configuring Username and Password Pairs

Follow these steps to configure username and password pairs:

SUMMARY STEPS

1. **enable**
2. **configure terminal**
3. **username** *name* [**privilege level**] {**password** *encryption-type password*}
4. Use one of the following:
 - **line console 0**
 - **line vty 0 15**
5. **login local**
6. **end**
7. **show running-config**
8. **copy running-config startup-config**

DETAILED STEPS

	Command or Action	Purpose
Step 1	<p>enable</p> <p>Example:</p> <pre>Switch> enable</pre>	Enables privileged EXEC mode. Enter your password if prompted.
Step 2	<p>configure terminal</p> <p>Example:</p> <pre>Switch# configure terminal</pre>	Enters the global configuration mode.
Step 3	<p>username name [privilege level] {password encryption-type password}</p> <p>Example:</p> <pre>Switch(config)# username adamsample privilege 1 password secret456 Switch(config)# username 111111111111 mac attribute</pre>	<p>Sets the username, privilege level, and password for each user.</p> <ul style="list-style-type: none"> • For <i>name</i>, specify the user ID as one word or the MAC address. Spaces and quotation marks are not allowed. • You can configure a maximum of 12000 clients each, for both username and MAC filter. • (Optional) For <i>level</i>, specify the privilege level the user has after gaining access. The range is 0 to 15. Level 15 gives privileged EXEC mode access. Level 1 gives user EXEC mode access. • For <i>encryption-type</i>, enter 0 to specify that an unencrypted password will follow. Enter 7 to specify that a hidden password will follow. • For <i>password</i>, specify the password the user must enter to gain access to the Switch. The password must be from 1 to 25 characters, can contain embedded spaces, and must be the last option specified in the username command.
Step 4	<p>Use one of the following:</p> <ul style="list-style-type: none"> • line console 0 • line vty 0 15 <p>Example:</p> <pre>Switch(config)# line console 0</pre> <p>OR</p> <pre>Switch(config)# line vty 15</pre>	Enters line configuration mode, and configures the console port (line 0) or the VTY lines (line 0 to 15).

	Command or Action	Purpose
Step 5	login local Example: Switch(config-line)# login local	Enables local password checking at login time. Authentication is based on the username specified in Step 3.
Step 6	end Example: Switch(config)# end	Returns to privileged EXEC mode.
Step 7	show running-config Example: Switch# show running-config	Verifies your entries.
Step 8	copy running-config startup-config Example: Switch# copy running-config startup-config	(Optional) Saves your entries in the configuration file.

Related Topics

[Preventing Unauthorized Access, on page 21](#)

[Username and Password Pairs, on page 25](#)

Setting the Privilege Level for a Command

Follow these steps to set the privilege level for a command:

SUMMARY STEPS

1. **enable**
2. **configure terminal**
3. **privilege mode level level command**
4. **enable password level level password**
5. **end**
6. **copy running-config startup-config**

DETAILED STEPS

	Command or Action	Purpose
Step 1	enable Example: Switch> enable	Enables privileged EXEC mode. Enter your password if prompted.
Step 2	configure terminal Example: Switch# configure terminal	Enters the global configuration mode.
Step 3	privilege mode level level command Example: Switch(config)# privilege exec level 14 configure	Sets the privilege level for a command. <ul style="list-style-type: none"> For <i>mode</i>, enter configure for global configuration mode, exec for EXEC mode, interface for interface configuration mode, or line for line configuration mode. For <i>level</i>, the range is from 0 to 15. Level 1 is for normal user EXEC mode privileges. Level 15 is the level of access permitted by the enable password. For <i>command</i>, specify the command to which you want to restrict access.
Step 4	enable password level level password Example: Switch(config)# enable password level 14 SecretPswd14	Specifies the password to enable the privilege level. <ul style="list-style-type: none"> For <i>level</i>, the range is from 0 to 15. Level 1 is for normal user EXEC mode privileges. For <i>password</i>, specify a string from 1 to 25 alphanumeric characters. The string cannot start with a number, is case sensitive, and allows spaces but ignores leading spaces. By default, no password is defined.
Step 5	end Example: Switch(config)# end	Returns to privileged EXEC mode.
Step 6	copy running-config startup-config Example: Switch# copy running-config startup-config	(Optional) Saves your entries in the configuration file.

Related Topics[Privilege Levels, on page 26](#)[Example: Setting the Privilege Level for a Command, on page 40](#)

Changing the Default Privilege Level for Lines

Follow these steps to change the default privilege level for the specified line:

SUMMARY STEPS

1. **enable**
2. **configure terminal**
3. **line vty *line***
4. **privilege level *level***
5. **end**
6. **copy running-config startup-config**

DETAILED STEPS

	Command or Action	Purpose
Step 1	enable Example: Switch> enable	Enables privileged EXEC mode. Enter your password if prompted.
Step 2	configure terminal Example: Switch# configure terminal	Enters the global configuration mode.
Step 3	line vty <i>line</i> Example: Switch(config)# line vty 10	Selects the virtual terminal line on which to restrict access.
Step 4	privilege level <i>level</i> Example: Switch(config)# privilege level 15	Changes the default privilege level for the line. For <i>level</i> , the range is from 0 to 15. Level 1 is for normal user EXEC mode privileges. Level 15 is the level of access permitted by the enable password.

	Command or Action	Purpose
Step 5	end Example: Switch(config)# end	Returns to privileged EXEC mode.
Step 6	copy running-config startup-config Example: Switch# copy running-config startup-config	(Optional) Saves your entries in the configuration file.

What to Do Next

Users can override the privilege level you set using the **privilege level** line configuration command by logging in to the line and enabling a different privilege level. They can lower the privilege level by using the **disable** command. If users know the password to a higher privilege level, they can use that password to enable the higher privilege level. You might specify a high level or privilege level for your console line to restrict line usage.

Related Topics

[Privilege Levels, on page 26](#)

Logging into and Exiting a Privilege Level

Beginning in user EXEC mode, follow these steps to log into a specified privilege level and exit a specified privilege level.

SUMMARY STEPS

1. **enable level**
2. **disable level**

DETAILED STEPS

	Command or Action	Purpose
Step 1	enable level Example: Switch> enable 15	Logs in to a specified privilege level. Following the example, Level 15 is privileged EXEC mode. For <i>level</i> , the range is 0 to 15.

	Command or Action	Purpose
Step 2	disable <i>level</i> Example: Switch# disable 1	Exits to a specified privilege level. Following the example, Level 1 is user EXEC mode. For <i>level</i> , the range is 0 to 15.

Related Topics

[Privilege Levels, on page 26](#)

Monitoring Switch Access

Table 5: Commands for Displaying DHCP Information

show privilege	Displays the privilege level configuration.
-----------------------	---

Configuration Examples for Setting Passwords and Privilege Levels

Example: Setting or Changing a Static Enable Password

This example shows how to change the enable password to *11u2c3k4y5*. The password is not encrypted and provides access to level 15 (traditional privileged EXEC mode access):

```
Switch(config)# enable password 11u2c3k4y5
```

Related Topics

[Setting or Changing a Static Enable Password, on page 26](#)

Example: Protecting Enable and Enable Secret Passwords with Encryption

This example shows how to configure the encrypted password *\$1\$FaD0\$Xyti5Rkls3LoyxzS8* for privilege level 2:

```
Switch(config)# enable secret level 2 5 $1$FaD0$Xyti5Rkls3LoyxzS8
```

Related Topics

[Protecting Enable and Enable Secret Passwords with Encryption](#), on page 28
[Additional Password Security](#), on page 24

Example: Setting a Telnet Password for a Terminal Line

This example shows how to set the Telnet password to *let45me67in89*:

```
Switch(config)# line vty 10
Switch(config-line)# password let45me67in89
```

Related Topics

[Setting a Telnet Password for a Terminal Line](#), on page 31
[Terminal Line Telnet Configuration](#), on page 25

Example: Setting the Privilege Level for a Command

This example shows how to set the **configure** command to privilege level 14 and define *SecretPswd14* as the password users must enter to use level 14 commands:

```
Switch(config)# privilege exec level 14 configure
Switch(config)# enable password level 14 SecretPswd14
```

Related Topics

[Setting the Privilege Level for a Command](#), on page 35
[Privilege Levels](#), on page 26

Additional References**Error Message Decoder**

Description	Link
To help you research and resolve system error messages in this release, use the Error Message Decoder tool.	https://www.cisco.com/cgi-bin/Support/Errordecoder/index.cgi

Technical Assistance

Description	Link
<p>The Cisco Support website provides extensive online resources, including documentation and tools for troubleshooting and resolving technical issues with Cisco products and technologies.</p> <p>To receive security and technical information about your products, you can subscribe to various services, such as the Product Alert Tool (accessed from Field Notices), the Cisco Technical Services Newsletter, and Really Simple Syndication (RSS) Feeds.</p> <p>Access to most tools on the Cisco Support website requires a Cisco.com user ID and password.</p>	<p>http://www.cisco.com/support</p>



Configuring TACACS+

- [Finding Feature Information, page 43](#)
- [Prerequisites for TACACS+, page 43](#)
- [Information About TACACS+, page 45](#)
- [How to Configure Switch Access with TACACS+, page 49](#)
- [Monitoring TACACS+, page 58](#)
- [Additional References for Configuring Secure Shell, page 58](#)

Finding Feature Information

Your software release may not support all the features documented in this module. For the latest caveats and feature information, see Bug Search Tool and the release notes for your platform and software release. To find information about the features documented in this module, and to see a list of the releases in which each feature is supported, see the feature information table at the end of this module.

Use Cisco Feature Navigator to find information about platform support and Cisco software image support. To access Cisco Feature Navigator, go to <http://www.cisco.com/go/cfn>. An account on Cisco.com is not required.

Prerequisites for TACACS+

The following are the prerequisites for set up and configuration of switch access with TACACS+ (must be performed in the order presented):

- 1 Configure the switches with the TACACS+ server addresses.
- 2 Set an authentication key.
- 3 Configure the key from Step 2 on the TACACS+ servers.
- 4 Enable authentication, authorization, and accounting (AAA).
- 5 Create a login authentication method list.
- 6 Apply the list to the terminal lines.

7 Create an authorization and accounting method list.

The following are the prerequisites for controlling switch access with TACACS+:

- You must have access to a configured TACACS+ server to configure TACACS+ features on your switch. Also, you must have access to TACACS+ services maintained in a database on a TACACS+ daemon typically running on a LINUX or Windows workstation.
- We recommend a redundant connection between a switch stack and the TACACS+ server. This is to help ensure that the TACACS+ server remains accessible in case one of the connected stack members is removed from the switch stack.
- You need a system running the TACACS+ daemon software to use TACACS+ on your switch.
- To use TACACS+, it must be enabled.
- Authorization must be enabled on the switch to be used.
- Users must first successfully complete TACACS+ authentication before proceeding to TACACS+ authorization.
- To use any of the AAA commands listed in this section or elsewhere, you must first enable AAA with the **aaa new-model** command.
- At a minimum, you must identify the host or hosts maintaining the TACACS+ daemon and define the method lists for TACACS+ authentication. You can optionally define method lists for TACACS+ authorization and accounting.
- The method list defines the types of authentication to be performed and the sequence in which they are performed; it must be applied to a specific port before any of the defined authentication methods are performed. The only exception is the default method list (which, by coincidence, is named *default*). The default method list is automatically applied to all ports except those that have a named method list explicitly defined. A defined method list overrides the default method list.
- Use TACACS+ for privileged EXEC access authorization if authentication was performed by using TACACS+.
- Use the local database if authentication was not performed by using TACACS+.

Related Topics

[TACACS+ Overview, on page 45](#)

[TACACS+ Operation, on page 47](#)

[How to Configure Switch Access with TACACS+, on page 49](#)

[Method List, on page 48](#)

[Configuring TACACS+ Login Authentication, on page 51](#)

[TACACS+ Login Authentication, on page 48](#)

[Configuring TACACS+ Authorization for Privileged EXEC Access and Network Services, on page 54](#)

[TACACS+ Authorization for Privileged EXEC Access and Network Services, on page 48](#)

Information About TACACS+

TACACS+ and Switch Access

This section describes TACACS+. TACACS+ provides detailed accounting information and flexible administrative control over the authentication and authorization processes. It is facilitated through authentication, authorization, accounting (AAA) and can be enabled only through AAA commands.

Related Topics

[Preventing Unauthorized Access, on page 21](#)

[Configuring the Switch for Local Authentication and Authorization, on page 117](#)

[SSH Servers, Integrated Clients, and Supported Versions, on page 125](#)

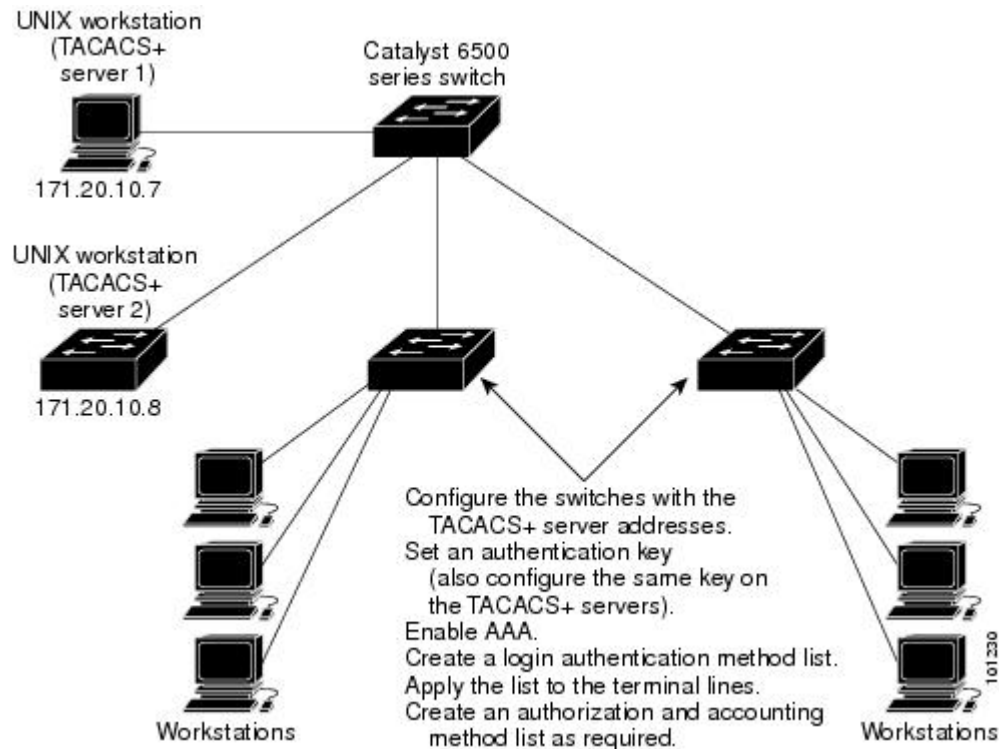
TACACS+ Overview

TACACS+ is a security application that provides centralized validation of users attempting to gain access to your switch.

TACACS+ provides for separate and modular authentication, authorization, and accounting facilities. TACACS+ allows for a single access control server (the TACACS+ daemon) to provide each service—authentication, authorization, and accounting—independently. Each service can be tied into its own database to take advantage of other services available on that server or on the network, depending on the capabilities of the daemon.

The goal of TACACS+ is to provide a method for managing multiple network access points from a single management service. Your switch can be a network access server along with other Cisco routers and access servers.

Figure 1: Typical TACACS+ Network Configuration



TACACS+, administered through the AAA security services, can provide these services:

- **Authentication**—Provides complete control of authentication through login and password dialog, challenge and response, and messaging support.

The authentication facility can conduct a dialog with the user (for example, after a username and password are provided, to challenge a user with several questions, such as home address, mother's maiden name, service type, and social security number). The TACACS+ authentication service can also send messages to user screens. For example, a message could notify users that their passwords must be changed because of the company's password aging policy.

- **Authorization**—Provides fine-grained control over user capabilities for the duration of the user's session, including but not limited to setting autocommands, access control, session duration, or protocol support. You can also enforce restrictions on what commands a user can execute with the TACACS+ authorization feature.
- **Accounting**—Collects and sends information used for billing, auditing, and reporting to the TACACS+ daemon. Network managers can use the accounting facility to track user activity for a security audit or to provide information for user billing. Accounting records include user identities, start and stop times, executed commands (such as PPP), number of packets, and number of bytes.

The TACACS+ protocol provides authentication between the switch and the TACACS+ daemon, and it ensures confidentiality because all protocol exchanges between the switch and the TACACS+ daemon are encrypted.

Related Topics

[Prerequisites for TACACS+, on page 43](#)

TACACS+ Operation

When a user attempts a simple ASCII login by authenticating to a switch using TACACS+, this process occurs:

- 1 When the connection is established, the switch contacts the TACACS+ daemon to obtain a username prompt to show to the user. The user enters a username, and the switch then contacts the TACACS+ daemon to obtain a password prompt. The switch displays the password prompt to the user, the user enters a password, and the password is then sent to the TACACS+ daemon.

TACACS+ allows a dialog between the daemon and the user until the daemon receives enough information to authenticate the user. The daemon prompts for a username and password combination, but can include other items, such as the user's mother's maiden name.

- 2 The switch eventually receives one of these responses from the TACACS+ daemon:
 - ACCEPT—The user is authenticated and service can begin. If the switch is configured to require authorization, authorization begins at this time.
 - REJECT—The user is not authenticated. The user can be denied access or is prompted to retry the login sequence, depending on the TACACS+ daemon.
 - ERROR—An error occurred at some time during authentication with the daemon or in the network connection between the daemon and the switch. If an ERROR response is received, the switch typically tries to use an alternative method for authenticating the user.
 - CONTINUE—The user is prompted for additional authentication information.

After authentication, the user undergoes an additional authorization phase if authorization has been enabled on the switch. Users must first successfully complete TACACS+ authentication before proceeding to TACACS+ authorization.

- 3 If TACACS+ authorization is required, the TACACS+ daemon is again contacted, and it returns an ACCEPT or REJECT authorization response. If an ACCEPT response is returned, the response contains data in the form of attributes that direct the EXEC or NETWORK session for that user and the services that the user can access:
 - Telnet, Secure Shell (SSH), rlogin, or privileged EXEC services
 - Connection parameters, including the host or client IP address, access list, and user timeouts

Related Topics

[Prerequisites for TACACS+, on page 43](#)

Method List

A method list defines the sequence and methods to be used to authenticate, to authorize, or to keep accounts on a user. You can use method lists to designate one or more security protocols to be used, thus ensuring a backup system if the initial method fails. The software uses the first method listed to authenticate, to authorize, or to keep accounts on users; if that method does not respond, the software selects the next method in the list. This process continues until there is successful communication with a listed method or the method list is exhausted.

Related Topics

[How to Configure Switch Access with TACACS+, on page 49](#)

[Prerequisites for TACACS+, on page 43](#)

TACACS+ Configuration Options

You can configure the switch to use a single server or AAA server groups to group existing server hosts for authentication. You can group servers to select a subset of the configured server hosts and use them for a particular service. The server group is used with a global server-host list and contains the list of IP addresses of the selected server hosts.

Related Topics

[Identifying the TACACS+ Server Host and Setting the Authentication Key, on page 49](#)

TACACS+ Login Authentication

A method list describes the sequence and authentication methods to be queried to authenticate a user. You can designate one or more security protocols to be used for authentication, thus ensuring a backup system for authentication in case the initial method fails. The software uses the first method listed to authenticate users; if that method fails to respond, the software selects the next authentication method in the method list. This process continues until there is successful communication with a listed authentication method or until all defined methods are exhausted. If authentication fails at any point in this cycle—meaning that the security server or local username database responds by denying the user access—the authentication process stops, and no other authentication methods are attempted.

Related Topics

[Configuring TACACS+ Login Authentication, on page 51](#)

[Prerequisites for TACACS+, on page 43](#)

TACACS+ Authorization for Privileged EXEC Access and Network Services

AAA authorization limits the services available to a user. When AAA authorization is enabled, the switch uses information retrieved from the user's profile, which is located either in the local user database or on the security server, to configure the user's session. The user is granted access to a requested service only if the information in the user profile allows it.

Related Topics

[Configuring TACACS+ Authorization for Privileged EXEC Access and Network Services](#), on page 54
[Prerequisites for TACACS+](#), on page 43

TACACS+ Accounting

The AAA accounting feature tracks the services that users are accessing and the amount of network resources that they are consuming. When AAA accounting is enabled, the switch reports user activity to the TACACS+ security server in the form of accounting records. Each accounting record contains accounting attribute-value (AV) pairs and is stored on the security server. This data can then be analyzed for network management, client billing, or auditing.

Related Topics

[Starting TACACS+ Accounting](#), on page 56

Default TACACS+ Configuration

TACACS+ and AAA are disabled by default.

To prevent a lapse in security, you cannot configure TACACS+ through a network management application. When enabled, TACACS+ can authenticate users accessing the switch through the CLI.

**Note**

Although TACACS+ configuration is performed through the CLI, the TACACS+ server authenticates HTTP connections that have been configured with a privilege level of 15.

How to Configure Switch Access with TACACS+

This section describes how to configure your switch to support TACACS+.

Related Topics

[Method List](#), on page 48
[Prerequisites for TACACS+](#), on page 43

Identifying the TACACS+ Server Host and Setting the Authentication Key

Follow these steps to identify the TACACS+ server host and set the authentication key:

SUMMARY STEPS

1. **enable**
2. **configure terminal**
3. **tacacs-server host *hostname***
4. **aaa new-model**
5. **aaa group server tacacs+ *group-name***
6. **server *ip-address***
7. **end**
8. **show running-config**
9. **copy running-config startup-config**

DETAILED STEPS

	Command or Action	Purpose
Step 1	enable Example: Switch> enable	Enables privileged EXEC mode. Enter your password if prompted.
Step 2	configure terminal Example: Switch# configure terminal	Enters the global configuration mode.
Step 3	tacacs-server host <i>hostname</i> Example: Switch(config)# tacacs-server host yourserver	Identifies the IP host or hosts maintaining a TACACS+ server. Enter this command multiple times to create a list of preferred hosts. The software searches for hosts in the order in which you specify them. For <i>hostname</i> , specify the name or IP address of the host.
Step 4	aaa new-model Example: Switch(config)# aaa new-model	Enables AAA.
Step 5	aaa group server tacacs+ <i>group-name</i> Example: Switch(config)# aaa group server tacacs+ your_server_group	(Optional) Defines the AAA server-group with a group name. This command puts the Switch in a server group subconfiguration mode.

	Command or Action	Purpose
Step 6	<p><code>server ip-address</code></p> <p>Example:</p> <pre>Switch(config)# server 10.1.2.3</pre>	<p>(Optional) Associates a particular TACACS+ server with the defined server group. Repeat this step for each TACACS+ server in the AAA server group.</p> <p>Each server in the group must be previously defined in Step 3.</p>
Step 7	<p><code>end</code></p> <p>Example:</p> <pre>Switch(config)# end</pre>	Returns to privileged EXEC mode.
Step 8	<p><code>show running-config</code></p> <p>Example:</p> <pre>Switch# show running-config</pre>	Verifies your entries.
Step 9	<p><code>copy running-config startup-config</code></p> <p>Example:</p> <pre>Switch# copy running-config startup-config</pre>	(Optional) Saves your entries in the configuration file.

Related Topics

[TACACS+ Configuration Options, on page 48](#)

Configuring TACACS+ Login Authentication

Follow these steps to configure TACACS+ login authentication:

Before You Begin

To configure AAA authentication, you define a named list of authentication methods and then apply that list to various ports.



Note

To secure the switch for HTTP access by using AAA methods, you must configure the switch with the **ip http authentication aaa** global configuration command. Configuring AAA authentication does not secure the switch for HTTP access by using AAA methods.

For more information about the **ip http authentication** command, see the *Cisco IOS Security Command Reference, Release 12.4*.

SUMMARY STEPS

1. **enable**
2. **configure terminal**
3. **aaa new-model**
4. **aaa authentication login** {default | list-name} method1 [method2...]
5. **line** [console | tty | vty] line-number [ending-line-number]
6. **login authentication** {default | list-name}
7. **end**
8. **show running-config**
9. **copy running-config startup-config**

DETAILED STEPS

	Command or Action	Purpose
Step 1	enable Example: Switch> enable	Enables privileged EXEC mode. Enter your password if prompted.
Step 2	configure terminal Example: Switch# configure terminal	Enters the global configuration mode.
Step 3	aaa new-model Example: Switch(config)# aaa new-model	Enables AAA.
Step 4	aaa authentication login {default list-name} method1 [method2...] Example: Switch(config)# aaa authentication login default tacacs+ local	<p>Creates a login authentication method list.</p> <ul style="list-style-type: none"> • To create a default list that is used when a named list is <i>not</i> specified in the login authentication command, use the default keyword followed by the methods that are to be used in default situations. The default method list is automatically applied to all ports. • For <i>list-name</i>, specify a character string to name the list you are creating. • For <i>method1...</i>, specify the actual method the authentication algorithm tries. The additional methods of authentication are used only if the previous method returns an error, not if it fails. <p>Select one of these methods:</p>

	Command or Action	Purpose
		<ul style="list-style-type: none"> • <i>enable</i>—Use the enable password for authentication. Before you can use this authentication method, you must define an enable password by using the enable password global configuration command. • <i>group tacacs+</i>—Uses TACACS+ authentication. Before you can use this authentication method, you must configure the TACACS+ server. For more information, see the Identifying the TACACS+ Server Host and Setting the Authentication Key, on page 49. • <i>line</i> —Use the line password for authentication. Before you can use this authentication method, you must define a line password. Use the password password line configuration command. • <i>local</i>—Use the local username database for authentication. You must enter username information in the database. Use the username password global configuration command. • <i>local-case</i>—Use a case-sensitive local username database for authentication. You must enter username information in the database by using the username name password global configuration command. • <i>none</i>—Do not use any authentication for login.
Step 5	line [console tty vty] <i>line-number</i> <i>[ending-line-number]</i> Example: <pre>Switch(config)# line 2 4</pre>	Enters line configuration mode, and configures the lines to which you want to apply the authentication list.
Step 6	login authentication { default <i>list-name</i> } Example: <pre>Switch(config-line)# login authentication default</pre>	Applies the authentication list to a line or set of lines. <ul style="list-style-type: none"> • If you specify default, use the default list created with the aaa authentication login command. • For <i>list-name</i>, specify the list created with the aaa authentication login command.
Step 7	end Example: <pre>Switch(config-line)# end</pre>	Returns to privileged EXEC mode.
Step 8	show running-config Example: <pre>Switch# show running-config</pre>	Verifies your entries.

	Command or Action	Purpose
Step 9	copy running-config startup-config Example: Switch# copy running-config startup-config	(Optional) Saves your entries in the configuration file.

Related Topics

[TACACS+ Login Authentication, on page 48](#)

[Prerequisites for TACACS+, on page 43](#)

Configuring TACACS+ Authorization for Privileged EXEC Access and Network Services

You can use the **aaa authorization** global configuration command with the **tacacs+** keyword to set parameters that restrict a user's network access to privileged EXEC mode.



Note

Authorization is bypassed for authenticated users who log in through the CLI even if authorization has been configured.

Follow these steps to specify TACACS+ authorization for privileged EXEC access and network services:

SUMMARY STEPS

1. **enable**
2. **configure terminal**
3. **aaa authorization network tacacs+**
4. **aaa authorization exec tacacs+**
5. **end**
6. **show running-config**
7. **copy running-config startup-config**

DETAILED STEPS

	Command or Action	Purpose
Step 1	enable Example: Switch> enable	Enables privileged EXEC mode. Enter your password if prompted.
Step 2	configure terminal Example: Switch# configure terminal	Enters the global configuration mode.
Step 3	aaa authorization network tacacs+ Example: Switch(config)# aaa authorization network tacacs+	Configures the switch for user TACACS+ authorization for all network-related service requests.
Step 4	aaa authorization exec tacacs+ Example: Switch(config)# aaa authorization exec tacacs+	Configures the switch for user TACACS+ authorization if the user has privileged EXEC access. The exec keyword might return user profile information (such as autocommand information).
Step 5	end Example: Switch(config)# end	Returns to privileged EXEC mode.
Step 6	show running-config Example: Switch# show running-config	Verifies your entries.
Step 7	copy running-config startup-config Example: Switch# copy running-config startup-config	(Optional) Saves your entries in the configuration file.

Related Topics

[TACACS+ Authorization for Privileged EXEC Access and Network Services](#), on page 48

[Prerequisites for TACACS+](#), on page 43

Starting TACACS+ Accounting

Follow these steps to start TACACS+ Accounting:

SUMMARY STEPS

1. `enable`
2. `configure terminal`
3. `aaa accounting network start-stop tacacs+`
4. `aaa accounting exec start-stop tacacs+`
5. `end`
6. `show running-config`
7. `copy running-config startup-config`

DETAILED STEPS

	Command or Action	Purpose
Step 1	<p><code>enable</code></p> <p>Example:</p> <pre>Switch> enable</pre>	Enables privileged EXEC mode. Enter your password if prompted.
Step 2	<p><code>configure terminal</code></p> <p>Example:</p> <pre>Switch# configure terminal</pre>	Enters the global configuration mode.
Step 3	<p><code>aaa accounting network start-stop tacacs+</code></p> <p>Example:</p> <pre>Switch(config)# aaa accounting network start-stop tacacs+</pre>	Enables TACACS+ accounting for all network-related service requests.
Step 4	<p><code>aaa accounting exec start-stop tacacs+</code></p> <p>Example:</p> <pre>Switch(config)# aaa accounting exec start-stop tacacs+</pre>	Enables TACACS+ accounting to send a start-record accounting notice at the beginning of a privileged EXEC process and a stop-record at the end.

	Command or Action	Purpose
Step 5	end Example: Switch(config) # end	Returns to privileged EXEC mode.
Step 6	show running-config Example: Switch# show running-config	Verifies your entries.
Step 7	copy running-config startup-config Example: Switch# copy running-config startup-config	(Optional) Saves your entries in the configuration file.

What to Do Next

To establish a session with a router if the AAA server is unreachable, use the **aaa accounting system guarantee-first** command. It guarantees system accounting as the first record, which is the default condition. In some situations, users might be prevented from starting a session on the console or terminal connection until after the system reloads, which can take more than 3 minutes.

To establish a console or Telnet session with the router if the AAA server is unreachable when the router reloads, use the **no aaa accounting system guarantee-first** command.

Related Topics

[TACACS+ Accounting, on page 49](#)

Establishing a Session with a Router if the AAA Server is Unreachable

To establishing a session with a router if the AAA server is unreachable, use the **aaa accounting system guarantee-first** command. It guarantees system accounting as the first record, which is the default condition. In some situations, users might be prevented from starting a session on the console or terminal connection until after the system reloads, which can take more than 3 minutes.

To establish a console or Telnet session with the router if the AAA server is unreachable when the router reloads, use the **no aaa accounting system guarantee-first** command.

Monitoring TACACS+

Table 6: Commands for Displaying TACACS+ Information

Command	Purpose
show tacacs	Displays TACACS+ server statistics.

Additional References for Configuring Secure Shell

Related Documents

Related Topic	Document Title
Configuring Identity Control policies and Identity Service templates for Session Aware networking.	Session Aware Networking Configuration Guide, Cisco IOS XE Release 3SE (Catalyst 3850 Switches)
Configuring RADIUS, TACACS+, Secure Shell, 802.1X and AAA.	Securing User Services Configuration Guide Library, Cisco IOS XE Release 3SE (Catalyst 3850 Switches)

Error Message Decoder

Description	Link
To help you research and resolve system error messages in this release, use the Error Message Decoder tool.	https://www.cisco.com/cgi-bin/Support/Errordecoder/index.cgi

Standards and RFCs

Standard/RFC	Title
None	

MIBs

MIB	MIBs Link
All supported MIBs for this release.	To locate and download MIBs for selected platforms, Cisco IOS releases, and feature sets, use Cisco MIB Locator found at the following URL: http://www.cisco.com/go/mibs

Technical Assistance

Description	Link
<p>The Cisco Support website provides extensive online resources, including documentation and tools for troubleshooting and resolving technical issues with Cisco products and technologies.</p> <p>To receive security and technical information about your products, you can subscribe to various services, such as the Product Alert Tool (accessed from Field Notices), the Cisco Technical Services Newsletter, and Really Simple Syndication (RSS) Feeds.</p> <p>Access to most tools on the Cisco Support website requires a Cisco.com user ID and password.</p>	http://www.cisco.com/support



Configuring RADIUS

- [Finding Feature Information, page 61](#)
- [Prerequisites for Configuring RADIUS, page 61](#)
- [Restrictions for Configuring RADIUS, page 62](#)
- [Information about RADIUS, page 63](#)
- [How to Configure RADIUS, page 87](#)
- [Monitoring CoA Functionality, page 105](#)
- [Configuration Examples for Controlling Switch Access with RADIUS, page 106](#)
- [Additional References for Configuring Secure Shell, page 107](#)

Finding Feature Information

Your software release may not support all the features documented in this module. For the latest caveats and feature information, see Bug Search Tool and the release notes for your platform and software release. To find information about the features documented in this module, and to see a list of the releases in which each feature is supported, see the feature information table at the end of this module.

Use Cisco Feature Navigator to find information about platform support and Cisco software image support. To access Cisco Feature Navigator, go to <http://www.cisco.com/go/cfn>. An account on Cisco.com is not required.

Prerequisites for Configuring RADIUS

This section lists the prerequisites for controlling Switch access with RADIUS.

General:

- RADIUS and Authentication, Authorization, and Accounting (AAA) must be enabled to use any of the configuration commands in this chapter.
- RADIUS is facilitated through AAA and can be enabled only through AAA commands.
- Use the **aaa new-model** global configuration command to enable AAA.

- Use the **aaa authentication** global configuration command to define method lists for RADIUS authentication.
- Use **line** and **interface** commands to enable the defined method lists to be used.
- At a minimum, you must identify the host or hosts that run the RADIUS server software and define the method lists for RADIUS authentication. You can optionally define method lists for RADIUS authorization and accounting.
- You should have access to and should configure a RADIUS server before configuring RADIUS features on your Switch.
- The RADIUS host is normally a multiuser system running RADIUS server software from Cisco (Cisco Secure Access Control Server Version 3.0), Livingston, Merit, Microsoft, or another software provider. For more information, see the RADIUS server documentation.
- To use the Change-of-Authorization (CoA) interface, a session must already exist on the switch. CoA can be used to identify a session and enforce a disconnect request. The update affects only the specified session.
- A redundant connection between a switch stack and the RADIUS server is recommended. This is to help ensure that the RADIUS server remains accessible in case one of the connected stack members is removed from the switch stack.

For RADIUS operation:

- Users must first successfully complete RADIUS authentication before proceeding to RADIUS authorization, if it is enabled.

Related Topics

- [RADIUS and Switch Access, on page 63](#)
- [RADIUS Operation, on page 64](#)

Restrictions for Configuring RADIUS

This topic covers restrictions for controlling Switch access with RADIUS.

General:

- To prevent a lapse in security, you cannot configure RADIUS through a network management application.

RADIUS is not suitable in the following network security situations:

- Multiprotocol access environments. RADIUS does not support AppleTalk Remote Access (ARA), NetBIOS Frame Control Protocol (NBFCP), NetWare Asynchronous Services Interface (NASI), or X.25 PAD connections.
- Switch-to-switch or router-to-router situations. RADIUS does not provide two-way authentication. RADIUS can be used to authenticate from one device to a non-Cisco device if the non-Cisco device requires authentication.
- Networks using a variety of services. RADIUS generally binds a user to one service model.

Related Topics

[RADIUS Overview, on page 63](#)

Information about RADIUS

RADIUS and Switch Access

This section describes how to enable and configure RADIUS. RADIUS provides detailed accounting information and flexible administrative control over the authentication and authorization processes.

Related Topics

[Prerequisites for Configuring RADIUS, on page 61](#)

[Configuring the Switch for Local Authentication and Authorization, on page 117](#)

[SSH Servers, Integrated Clients, and Supported Versions, on page 125](#)

RADIUS Overview

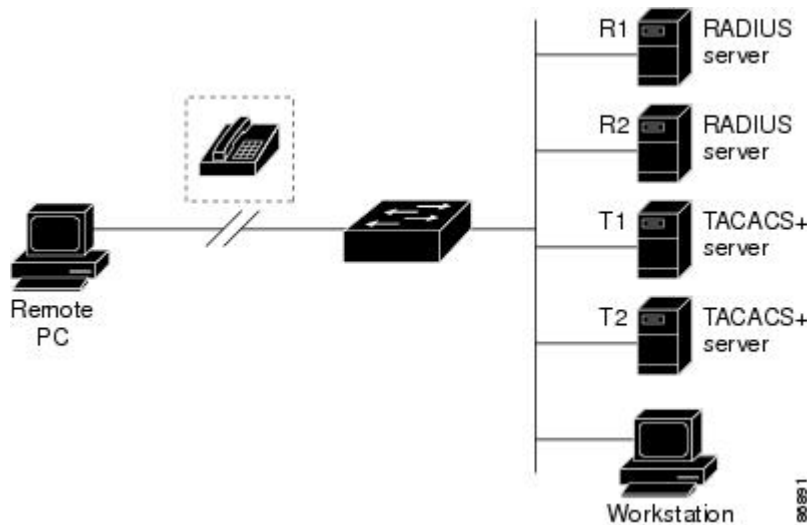
RADIUS is a distributed client/server system that secures networks against unauthorized access. RADIUS clients run on supported Cisco routers and switches. Clients send authentication requests to a central RADIUS server, which contains all user authentication and network service access information.

Use RADIUS in these network environments that require access security:

- Networks with multiple-vendor access servers, each supporting RADIUS. For example, access servers from several vendors use a single RADIUS server-based security database. In an IP-based network with multiple vendors' access servers, dial-in users are authenticated through a RADIUS server that has been customized to work with the Kerberos security system.
- Turnkey network security environments in which applications support the RADIUS protocol, such as in an access environment that uses a *smart card* access control system. In one case, RADIUS has been used with Enigma's security cards to validate users and to grant access to network resources.
- Networks already using RADIUS. You can add a Cisco Switch containing a RADIUS client to the network. This might be the first step when you make a transition to a TACACS+ server. See Figure 2: Transitioning from RADIUS to TACACS+ Services below.
- Network in which the user must only access a single service. Using RADIUS, you can control user access to a single host, to a single utility such as Telnet, or to the network through a protocol such as IEEE 802.1x. For more information about this protocol, see Chapter 11, "Configuring IEEE 802.1x Port-Based Authentication."
- Networks that require resource accounting. You can use RADIUS accounting independently of RADIUS authentication or authorization. The RADIUS accounting functions allow data to be sent at the start and end of services, showing the amount of resources (such as time, packets, bytes, and so forth) used during

the session. An Internet service provider might use a freeware-based version of RADIUS access control and accounting software to meet special security and billing needs.

Figure 2: Transitioning from RADIUS to TACACS+ Services



Related Topics

[Restrictions for Configuring RADIUS, on page 62](#)

RADIUS Operation

When a user attempts to log in and authenticate to a Switch that is access controlled by a RADIUS server, these events occur:

- 1 The user is prompted to enter a username and password.
- 2 The username and encrypted password are sent over the network to the RADIUS server.
- 3 The user receives one of the following responses from the RADIUS server:
 - ACCEPT—The user is authenticated.
 - REJECT—The user is either not authenticated and is prompted to re-enter the username and password, or access is denied.
 - CHALLENGE—A challenge requires additional data from the user.
 - CHALLENGE PASSWORD—A response requests the user to select a new password.

The ACCEPT or REJECT response is bundled with additional data that is used for privileged EXEC or network authorization. The additional data included with the ACCEPT or REJECT packets includes these items:

- Telnet, SSH, rlogin, or privileged EXEC services
- Connection parameters, including the host or client IP address, access list, and user timeouts

Related Topics

[Prerequisites for Configuring RADIUS, on page 61](#)

RADIUS Change of Authorization

The RADIUS Change of Authorization (CoA) provides a mechanism to change the attributes of an authentication, authorization, and accounting (AAA) session after it is authenticated. When a policy changes for a user or user group in AAA, administrators can send RADIUS CoA packets from the AAA server such as a Cisco Secure Access Control Server (ACS) to reinitialize authentication and apply the new policy. This section provides an overview of the RADIUS interface including available primitives and how they are used during a CoA.

- Change-of-Authorization Requests
- CoA Request Response Code
- CoA Request Commands
- Session Reauthentication
- Stacking Guidelines for Session Termination

A standard RADIUS interface is typically used in a pulled model where the request originates from a network attached device and the response come from the queried servers. Catalyst switches support the RADIUS CoA extensions defined in RFC 5176 that are typically used in a pushed model and allow for the dynamic reconfiguring of sessions from external AAA or policy servers.

The switch supports these per-session CoA requests:

- Session reauthentication
- Session termination
- Session termination with port shutdown
- Session termination with port bounce

This feature is integrated with Cisco Secure Access Control Server (ACS) 5.1.

The RADIUS interface is enabled by default on Catalyst switches. However, some basic configuration is required for the following attributes:

- Security and Password—refer to the “Preventing Unauthorized Access to Your Switch” section in this guide.
- Accounting—refer to the “Starting RADIUS Accounting” section in the Configuring Switch-Based Authentication chapter in this guide.

Cisco IOS software supports the RADIUS CoA extensions defined in RFC 5176 that are typically used in a push model to allow the dynamic reconfiguring of sessions from external AAA or policy servers. Per-session CoA requests are supported for session identification, session termination, host reauthentication, port shutdown, and port bounce. This model comprises one request (CoA-Request) and two possible response codes:

- CoA acknowledgement (ACK) [CoA-ACK]
- CoA nonacknowledgement (NAK) [CoA-NAK]

The request is initiated from a CoA client (typically a AAA or policy server) and directed to the device that acts as a listener.

The table below shows the RADIUS CoA commands and vendor-specific attributes (VSAs) supported by Identity-Based Networking Services. All CoA commands must include the session identifier between the device and the CoA client.

Table 7: RADIUS CoA Commands Supported by Identity-Based Networking Services

CoA Command	Cisco VSA
Activate service	Cisco:Avpair="subscriber:command=activate-service" Cisco:Avpair="subscriber:service-name=<service-name>" Cisco:Avpair="subscriber:precedence=<precedence-number>" Cisco:Avpair="subscriber:activation-mode=replace-all"
Deactivate service	Cisco:Avpair="subscriber:command=deactivate-service" Cisco:Avpair="subscriber:service-name=<service-name>"
Bounce host port	Cisco:Avpair="subscriber:command=bounce-host-port"
Disable host port	Cisco:Avpair="subscriber:command=disable-host-port"
Session query	Cisco:Avpair="subscriber:command=session-query"
Session reauthenticate	Cisco:Avpair="subscriber:command=reauthenticate" Cisco:Avpair="subscriber:reauthenticate-type=last" or Cisco:Avpair="subscriber:reauthenticate-type=rerun"
Session terminate	This is a standard disconnect request and does not require a VSA.
Interface template	Cisco:AVpair="interface-template-name=<interfacetemplate>"

Change-of-Authorization Requests

Change of Authorization (CoA) requests, as described in RFC 5176, are used in a push model to allow for session identification, host reauthentication, and session termination. The model is comprised of one request (CoA-Request) and two possible response codes:

- CoA acknowledgment (ACK) [CoA-ACK]
- CoA non-acknowledgment (NAK) [CoA-NAK]

The request is initiated from a CoA client (typically a RADIUS or policy server) and directed to the switch that acts as a listener.

RFC 5176 Compliance

The Disconnect Request message, which is also referred to as Packet of Disconnect (POD), is supported by the switch for session termination.

This table shows the IETF attributes are supported for this feature.

Table 8: Supported IETF Attributes

Attribute Number	Attribute Name
24	State
31	Calling-Station-ID
44	Acct-Session-ID
80	Message-Authenticator
101	Error-Cause

This table shows the possible values for the Error-Cause attribute.

Table 9: Error-Cause Values

Value	Explanation
201	Residual Session Context Removed
202	Invalid EAP Packet (Ignored)
401	Unsupported Attribute
402	Missing Attribute
403	NAS Identification Mismatch
404	Invalid Request
405	Unsupported Service
406	Unsupported Extension
407	Invalid Attribute Value
501	Administratively Prohibited
502	Request Not Routable (Proxy)
503	Session Context Not Found

Value	Explanation
504	Session Context Not Removable
505	Other Proxy Processing Error
506	Resources Unavailable
507	Request Initiated
508	Multiple Session Selection Unsupported

CoA Request Response Code

The CoA Request response code can be used to convey a command to the switch.

The packet format for a CoA Request Response code as defined in RFC 5176 consists of the following fields: Code, Identifier, Length, Authenticator, and Attributes in the Type:Length:Value (TLV) format. The Attributes field is used to carry Cisco vendor-specific attributes (VSAs).

Related Topics

[CoA Request Commands](#), on page 69

Session Identification

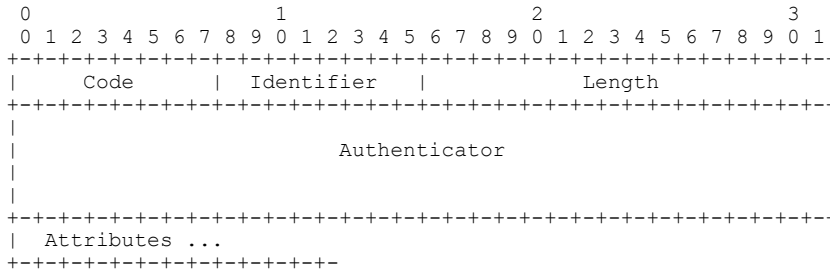
For disconnect and CoA requests targeted at a particular session, the switch locates the session based on one or more of the following attributes:

- Acct-Session-Id (IETF attribute #44)
- Audit-Session-Id (Cisco VSA)
- Calling-Station-Id (IETF attribute #31 which contains the host MAC address)
- IPv6 Attributes, which can be one of the following:
 - Framed-IPv6-Prefix (IETF attribute #97) and Framed-Interface-Id (IETF attribute #96), which together create a full IPv6 address per RFC 3162
 - Framed-IPv6-Address
- Plain IP Address (IETF attribute #8)

Unless all session identification attributes included in the CoA message match the session, the switch returns a Disconnect-NAK or CoA-NAK with the “Invalid Attribute Value” error-code attribute.

If more than one session identification attribute is included in the message, all the attributes must match the session or the switch returns a Disconnect- negative acknowledgment (NAK) or CoA-NAK with the error code “Invalid Attribute Value.”

The packet format for a CoA Request code as defined in RFC 5176 consists of the fields: Code, Identifier, Length, Authenticator, and Attributes in Type:Length:Value (TLV) format.



The attributes field is used to carry Cisco vendor-specific attributes (VSAs).

For CoA requests targeted at a particular enforcement policy, the device returns a CoA-NAK with the error code “Invalid Attribute Value” if any of the above session identification attributes are included in the message.

Related Topics

- [CoA Disconnect-Request, on page 71](#)
- [CoA Request: Disable Host Port, on page 71](#)
- [CoA Request: Bounce-Port, on page 72](#)

CoA ACK Response Code

If the authorization state is changed successfully, a positive acknowledgment (ACK) is sent. The attributes returned within CoA ACK will vary based on the CoA Request and are discussed in individual CoA Commands.

CoA NAK Response Code

A negative acknowledgment (NAK) indicates a failure to change the authorization state and can include attributes that indicate the reason for the failure. Use **show** commands to verify a successful CoA.

CoA Request Commands

Table 10: CoA Commands Supported on the switch

Command 1	Cisco VSA
Reauthenticate host	Cisco:Avpair="subscriber:command=reauthenticate"
Terminate session	This is a standard disconnect request that does not require a VSA.
Bounce host port	Cisco:Avpair="subscriber:command=bounce-host-port"
Disable host port	Cisco:Avpair="subscriber:command=disable-host-port"

- ¹ All CoA commands must include the session identifier between the switch and the CoA client.

Related Topics

[CoA Request Response Code, on page 68](#)

Session Reauthentication

The AAA server typically generates a session reauthentication request when a host with an unknown identity or posture joins the network and is associated with a restricted access authorization profile (such as a guest VLAN). A reauthentication request allows the host to be placed in the appropriate authorization group when its credentials are known.

To initiate session authentication, the AAA server sends a standard CoA-Request message which contains a Cisco VSA in this form: *Cisco:Avpair="subscriber:command=reauthenticate"* and one or more session identification attributes.

The current session state determines the switch response to the message. If the session is currently authenticated by IEEE 802.1x, the switch responds by sending an EAPoL (Extensible Authentication Protocol over Lan) -RequestId message to the server.

If the session is currently authenticated by MAC authentication bypass (MAB), the switch sends an access-request to the server, passing the same identity attributes used for the initial successful authentication.

If session authentication is in progress when the switch receives the command, the switch terminates the process, and restarts the authentication sequence, starting with the method configured to be attempted first.

If the session is not yet authorized, or is authorized via guest VLAN, or critical VLAN, or similar policies, the reauthentication message restarts the access control methods, beginning with the method configured to be attempted first. The current authorization of the session is maintained until the reauthentication leads to a different authorization result.

Session Reauthentication in a Switch Stack

When a switch stack receives a session reauthentication message:

- It checkpoints the need for a re-authentication before returning an acknowledgment (ACK).
- It initiates reauthentication for the appropriate session.
- If authentication completes with either success or failure, the signal that triggered the reauthentication is removed from the stack member.
- If the stack master fails before authentication completes, reauthentication is initiated after stack master switch-over based on the original command (which is subsequently removed).
- If the stack master fails before sending an ACK, the new stack master treats the re-transmitted command as a new command.

Session Termination

There are three types of CoA requests that can trigger session termination. A CoA Disconnect-Request terminates the session, without disabling the host port. This command causes re-initialization of the authenticator state machine for the specified host, but does not restrict that host access to the network.

To restrict a host's access to the network, use a CoA Request with the Cisco:Avpair="subscriber:command=disable-host-port" VSA. This command is useful when a host is known to be causing problems on the network, and you need to immediately block network access for the host. When you want to restore network access on the port, re-enable it using a non-RADIUS mechanism.

When a device with no supplicant, such as a printer, needs to acquire a new IP address (for example, after a VLAN change), terminate the session on the host port with port-bounce (temporarily disable and then re-enable the port).

CoA Disconnect-Request

This command is a standard Disconnect-Request. If the session cannot be located, the switch returns a Disconnect-NAK message with the "Session Context Not Found" error-code attribute. If the session is located, the switch terminates the session. After the session has been completely removed, the switch returns a Disconnect-ACK.

If the switch fails-over to a standby switch before returning a Disconnect-ACK to the client, the process is repeated on the new active switch when the request is re-sent from the client. If the session is not found following re-sending, a Disconnect-ACK is sent with the "Session Context Not Found" error-code attribute.

Related Topics

[Session Identification, on page 68](#)

CoA Request: Disable Host Port

The RADIUS server CoA disable port command administratively shuts down the authentication port that is hosting a session, resulting in session termination. This command is useful when a host is known to cause problems on the network and network access needs to be immediately blocked for the host. To restore network access on the port, reenable it using a non-RADIUS mechanism. This command is carried in a standard CoA-Request message that has this new vendor-specific attribute (VSA):

```
Cisco:Avpair="subscriber:command=disable-host-port"
```

Because this command is session-oriented, it must be accompanied by one or more of the session identification attributes described in the "Session Identification" section. If the session cannot be located, the switch returns a CoA-NAK message with the "Session Context Not Found" error-code attribute. If the session is located, the switch disables the hosting port and returns a CoA-ACK message.

If the switch fails before returning a CoA-ACK to the client, the process is repeated on the new active switch when the request is re-sent from the client. If the switch fails after returning a CoA-ACK message to the client but before the operation has completed, the operation is restarted on the new active switch.



Note

A Disconnect-Request failure following command re-sending could be the result of either a successful session termination before change-over (if the Disconnect-ACK was not sent) or a session termination by other means (for example, a link failure) that occurred after the original command was issued and before the standby switch became active.

Related Topics

[Session Identification, on page 68](#)

CoA Request: Bounce-Port

A RADIUS server CoA bounce port sent from a RADIUS server can cause a link flap on an authentication port, which triggers DHCP renegotiation from one or more hosts connected to this port. This incident can occur when there is a VLAN change and the endpoint is a device (such as a printer) that does not have a mechanism to detect a change on this authentication port. The CoA bounce port is carried in a standard CoA-Request message that contains the following VSA:

```
Cisco:Avpair="subscriber:command=bounce-host-port"
```

Because this command is session-oriented, it must be accompanied by one or more of the session identification attributes. If the session cannot be located, the switch returns a CoA-NAK message with the "Session Context Not Found" error-code attribute. If the session is located, the switch disables the hosting port for a period of 10 seconds, re-enables it (port-bounce), and returns a CoA-ACK.

If the switch fails before returning a CoA-ACK to the client, the process is repeated on the new active switch when the request is re-sent from the client. If the switch fails after returning a CoA-ACK message to the client but before the operation has completed, the operation is re-started on the new active switch.

Related Topics

[Session Identification](#), on page 68

Stacking Guidelines for Session Termination

No special handling is required for CoA Disconnect-Request messages in a switch stack.

Stacking Guidelines for CoA-Request Bounce-Port

Because the **bounce-port** command is targeted at a session, not a port, if the session is not found, the command cannot be executed.

When the Auth Manager command handler on the stack master receives a valid **bounce-port** command, it checkpoints the following information before returning a CoA-ACK message:

- the need for a port-bounce
- the port-id (found in the local session context)

The switch initiates a port-bounce (disables the port for 10 seconds, then re-enables it).

If the port-bounce is successful, the signal that triggered the port-bounce is removed from the standby stack master.

If the stack master fails before the port-bounce completes, a port-bounce is initiated after stack master change-over based on the original command (which is subsequently removed).

If the stack master fails before sending a CoA-ACK message, the new stack master treats the re-sent command as a new command.

Stacking Guidelines for CoA-Request Disable-Port

Because the **disable-port** command is targeted at a session, not a port, if the session is not found, the command cannot be executed.

When the Auth Manager command handler on the stack master receives a valid **disable-port** command, it verifies this information before returning a CoA-ACK message:

- the need for a port-disable
- the port-id (found in the local session context)

The switch attempts to disable the port.

If the port-disable operation is successful, the signal that triggered the port-disable is removed from the standby stack master.

If the stack master fails before the port-disable operation completes, the port is disabled after stack master change-over based on the original command (which is subsequently removed).

If the stack master fails before sending a CoA-ACK message, the new stack master treats the re-sent command as a new command.

Default RADIUS Configuration

RADIUS and AAA are disabled by default.

To prevent a lapse in security, you cannot configure RADIUS through a network management application. When enabled, RADIUS can authenticate users accessing the switch through the CLI.

RADIUS Server Host

Switch-to-RADIUS-server communication involves several components:

- Hostname or IP address
- Authentication destination port
- Accounting destination port
- Key string
- Timeout period
- Retransmission value

You identify RADIUS security servers by their hostname or IP address, hostname and specific UDP port numbers, or their IP address and specific UDP port numbers. The combination of the IP address and the UDP port number creates a unique identifier, allowing different ports to be individually defined as RADIUS hosts providing a specific AAA service. This unique identifier enables RADIUS requests to be sent to multiple UDP ports on a server at the same IP address.

If two different host entries on the same RADIUS server are configured for the same service—for example, accounting—the second host entry configured acts as a fail-over backup to the first one. Using this example, if the first host entry fails to provide accounting services, the %RADIUS-4-RADIUS_DEAD message appears, and then the switch tries the second host entry configured on the same device for accounting services. (The RADIUS host entries are tried in the order that they are configured.)

A RADIUS server and the switch use a shared secret text string to encrypt passwords and exchange responses. To configure RADIUS to use the AAA security commands, you must specify the host running the RADIUS server daemon and a secret text (key) string that it shares with the switch.

The timeout, retransmission, and encryption key values can be configured globally for all RADIUS servers, on a per-server basis, or in some combination of global and per-server settings.

Related Topics

[Identifying the RADIUS Server Host, on page 87](#)

[Defining AAA Server Groups, on page 92](#)

[Configuring Settings for All RADIUS Servers, on page 97](#)

[Configuring RADIUS Login Authentication, on page 90](#)

RADIUS Login Authentication

To configure AAA authentication, you define a named list of authentication methods and then apply that list to various ports. The method list defines the types of authentication to be performed and the sequence in which they are performed; it must be applied to a specific port before any of the defined authentication methods are performed. The only exception is the default method list. The default method list is automatically applied to all ports except those that have a named method list explicitly defined.

A method list describes the sequence and authentication methods to be queried to authenticate a user. You can designate one or more security protocols to be used for authentication, thus ensuring a backup system for authentication in case the initial method fails. The software uses the first method listed to authenticate users; if that method fails to respond, the software selects the next authentication method in the method list. This process continues until there is successful communication with a listed authentication method or until all defined methods are exhausted. If authentication fails at any point in this cycle—meaning that the security server or local username database responds by denying the user access—the authentication process stops, and no other authentication methods are attempted.

Related Topics

[Configuring RADIUS Login Authentication, on page 90](#)

AAA Server Groups

You can configure the switch to use AAA server groups to group existing server hosts for authentication. You select a subset of the configured server hosts and use them for a particular service. The server group is used with a global server-host list, which lists the IP addresses of the selected server hosts.

Server groups also can include multiple host entries for the same server if each entry has a unique identifier (the combination of the IP address and UDP port number), allowing different ports to be individually defined as RADIUS hosts providing a specific AAA service. This unique identifier enables RADIUS requests to be sent to different UDP ports on a server at the same IP address. If you configure two different host entries on the same RADIUS server for the same service, (for example, accounting), the second configured host entry acts as a fail-over backup to the first one. If the first host entry fails to provide accounting services, the network access server tries the second host entry configured on the same device for accounting services. (The RADIUS host entries are tried in the order in which they are configured.)

Related Topics

[Defining AAA Server Groups, on page 92](#)

AAA Authorization

AAA authorization limits the services available to a user. When AAA authorization is enabled, the switch uses information retrieved from the user's profile, which is in the local user database or on the security server, to configure the user's session. The user is granted access to a requested service only if the information in the user profile allows it.

Related Topics

[Configuring RADIUS Authorization for User Privileged Access and Network Services, on page 94](#)

RADIUS Accounting

The AAA accounting feature tracks the services that users are using and the amount of network resources that they are consuming. When you enable AAA accounting, the switch reports user activity to the RADIUS security server in the form of accounting records. Each accounting record contains accounting attribute-value (AV) pairs and is stored on the security server. You can then analyze the data for network management, client billing, or auditing.

Related Topics

[Starting RADIUS Accounting, on page 96](#)

Vendor-Specific RADIUS Attributes

The Internet Engineering Task Force (IETF) draft standard specifies a method for communicating vendor-specific information between the switch and the RADIUS server by using the vendor-specific attribute (attribute 26). Vendor-specific attributes (VSAs) allow vendors to support their own extended attributes not suitable for general use. The Cisco RADIUS implementation supports one vendor-specific option by using the format recommended in the specification. Cisco's vendor-ID is 9, and the supported option has vendor-type 1, which is named *cisco-avpair*. The value is a string with this format:

```
protocol : attribute sep value *
```

Protocol is a value of the Cisco protocol attribute for a particular type of authorization. *Attribute* and *value* are an appropriate attributevalue (AV) pair defined in the Cisco TACACS+ specification, and *sep* is = for mandatory attributes and is * for optional attributes. The full set of features available for TACACS+ authorization can then be used for RADIUS.

For example, the following AV pair causes Cisco's "multiple named IP address pools" feature to be activated during IP authorization (during PPP's Internet Protocol Control Protocol (IPCP) address assignment):

```
cisco-avpair= "ip:addr-pool=first"
```

If you insert an "*", the AV pair "ip:addr-pool=first" becomes optional. Note that any AV pair can be made optional:

```
cisco-avpair= "ip:addr-pool*first"
```

The following example shows how to cause a user logging in from a network access server to have immediate access to EXEC commands:

```
cisco-avpair= "shell:priv-lvl=15"
```

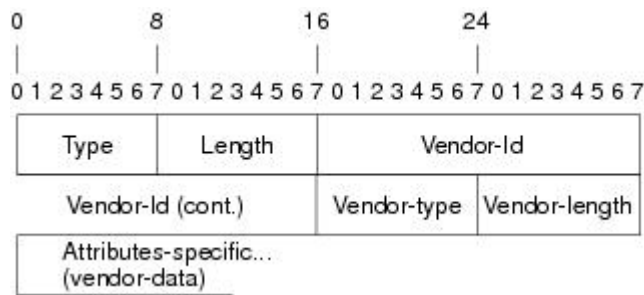
Other vendors have their own unique vendor-IDs, options, and associated VSAs. For more information about vendor-IDs and VSAs, see RFC 2138, “Remote Authentication Dial-In User Service (RADIUS).”

Attribute 26 contains the following three elements:

- Type
- Length
- String (also known as data)
 - Vendor-Id
 - Vendor-Type
 - Vendor-Length
 - Vendor-Data

The figure below shows the packet format for a VSA encapsulated “behind” attribute 26.

Figure 3: VSA Encapsulated Behind Attribute 26



Note It is up to the vendor to specify the format of their VSA. The Attribute-Specific field (also known as Vendor-Data) is dependent on the vendor's definition of that attribute.

The table below describes significant fields listed in the Vendor-Specific RADIUS IETF Attributes table (second table below), which lists supported vendor-specific RADIUS attributes (IETF attribute 26).

Table 11: Vendor-Specific Attributes Table Field Descriptions

Field	Description
Number	All attributes listed in the following table are extensions of IETF attribute 26.
Vendor-Specific Command Codes	A defined code used to identify a particular vendor. Code 9 defines Cisco VSAs, 311 defines Microsoft VSAs, and 529 defines Ascend VSAs.

Field	Description
Sub-Type Number	The attribute ID number. This number is much like the ID numbers of IETF attributes, except it is a “second layer” ID number encapsulated behind attribute 26.
Attribute	The ASCII string name of the attribute.
Description	Description of the attribute.

Table 12: Vendor-Specific RADIUS IETF Attributes

Number	Vendor-Specific Company Code	Sub-Type Number	Attribute	Description
MS-CHAP Attributes				
26	311	1	MSCHAP-Response	Contains the response value provided by a PPP MS-CHAP user in response to the challenge. It is only used in Access-Request packets. This attribute is identical to the PPP CHAP Identifier. (RFC 2548)
26	311	11	MSCHAP-Challenge	Contains the challenge sent by a network access server to an MS-CHAP user. It can be used in both Access-Request and Access-Challenge packets. (RFC 2548)
VPDN Attributes				
26	9	1	l2tp-cm-local-window-size	Specifies the maximum receive window size for L2TP control messages. This value is advertised to the peer during tunnel establishment.

Number	Vendor-Specific Company Code	Sub-Type Number	Attribute	Description
26	9	1	l2tp-drop-out-of-order	Respects sequence numbers on data packets by dropping those that are received out of order. This does not ensure that sequence numbers will be sent on data packets, just how to handle them if they are received.
26	9	1	l2tp-hello-interval	Specifies the number of seconds for the hello keepalive interval. Hello packets are sent when no data has been sent on a tunnel for the number of seconds configured here.
26	9	1	l2tp-hidden-avp	When enabled, sensitive AVPs in L2TP control messages are scrambled or hidden.
26	9	1	l2tp-nosession-timeout	Specifies the number of seconds that a tunnel will stay active with no sessions before timing out and shutting down.
26	9	1	tunnel-tos-reflect	Copies the IP ToS field from the IP header of each payload packet to the IP header of the tunnel packet for packets entering the tunnel at the LNS.
26	9	1	l2tp-tunnel-authen	If this attribute is set, it performs L2TP tunnel authentication.
26	9	1	l2tp-tunnel-password	Shared secret used for L2TP tunnel authentication and AVP hiding.

Number	Vendor-Specific Company Code	Sub-Type Number	Attribute	Description
26	9	1	l2tp-udp-checksum	This is an authorization attribute and defines whether L2TP should perform UDP checksums for data packets. Valid values are "yes" and "no." The default is no.
Store and Forward Fax Attributes				
26	9	3	Fax-Account-Id-Origin	Indicates the account ID origin as defined by system administrator for the mmoip aaa receive-id or the mmoip aaa send-id commands.
26	9	4	Fax-Msg-Id=	Indicates a unique fax message identification number assigned by Store and Forward Fax.
26	9	5	Fax-Pages	Indicates the number of pages transmitted or received during this fax session. This page count includes cover pages.
26	9	6	Fax-Coverpage-Flag	Indicates whether or not a cover page was generated by the off-ramp gateway for this fax session. True indicates that a cover page was generated; false means that a cover page was not generated.

Number	Vendor-Specific Company Code	Sub-Type Number	Attribute	Description
26	9	7	Fax-Modem-Time	Indicates the amount of time in seconds the modem sent fax data (x) and the amount of time in seconds of the total fax session (y), which includes both fax-mail and PSTN time, in the form x/y. For example, 10/15 means that the transfer time took 10 seconds, and the total fax session took 15 seconds.
26	9	8	Fax-Connect-Speed	Indicates the modem speed at which this fax-mail was initially transmitted or received. Possible values are 1200, 4800, 9600, and 14400.
26	9	9	Fax-Recipient-Count	Indicates the number of recipients for this fax transmission. Until e-mail servers support Session mode, the number should be 1.
26	9	10	Fax-Process-Abort-Flag	Indicates that the fax session was aborted or successful. True means that the session was aborted; false means that the session was successful.
26	9	11	Fax-Dsn-Address	Indicates the address to which DSNs will be sent.
26	9	12	Fax-Dsn-Flag	Indicates whether or not DSN has been enabled. True indicates that DSN has been enabled; false means that DSN has not been enabled.
26	9	13	Fax-Mdn-Address	Indicates the address to which MDNs will be sent.

Number	Vendor-Specific Company Code	Sub-Type Number	Attribute	Description
26	9	14	Fax-Mdn-Flag	Indicates whether or not message delivery notification (MDN) has been enabled. True indicates that MDN had been enabled; false means that MDN had not been enabled.
26	9	15	Fax-Auth-Status	Indicates whether or not authentication for this fax session was successful. Possible values for this field are success, failed, bypassed, or unknown.
26	9	16	Email-Server-Address	Indicates the IP address of the e-mail server handling the on-ramp fax-mail message.
26	9	17	Email-Server-Ack-Flag	Indicates that the on-ramp gateway has received a positive acknowledgment from the e-mail server accepting the fax-mail message.
26	9	18	Gateway-Id	Indicates the name of the gateway that processed the fax session. The name appears in the following format: hostname.domain-name.
26	9	19	Call-Type	Describes the type of fax activity: fax receive or fax send.
26	9	20	Port-Used	Indicates the slot/port number of the Cisco AS5300 used to either transmit or receive this fax-mail.

Number	Vendor-Specific Company Code	Sub-Type Number	Attribute	Description
26	9	21	Abort-Cause	If the fax session aborts, indicates the system component that signaled the abort. Examples of system components that could trigger an abort are FAP (Fax Application Process), TIFF (the TIFF reader or the TIFF writer), fax-mail client, fax-mail server, ESMTP client, or ESMTP server.
H323 Attributes				
26	9	23	Remote-Gateway-ID (h323-remote-address)	Indicates the IP address of the remote gateway.
26	9	24	Connection-ID (h323-conf-id)	Identifies the conference ID.
26	9	25	Setup-Time (h323-setup-time)	Indicates the setup time for this connection in Coordinated Universal Time (UTC) formerly known as Greenwich Mean Time (GMT) and Zulu time.
26	9	26	Call-Origin (h323-call-origin)	Indicates the origin of the call relative to the gateway. Possible values are originating and terminating (answer).
26	9	27	Call-Type (h323-call-type)	Indicates call leg type. Possible values are telephony and VoIP .
26	9	28	Connect-Time (h323-connect-time)	Indicates the connection time for this call leg in UTC.
26	9	29	Disconnect-Time (h323-disconnect-time)	Indicates the time this call leg was disconnected in UTC.

Number	Vendor-Specific Company Code	Sub-Type Number	Attribute	Description
26	9	30	Disconnect-Cause (h323-disconnect-cause)	Specifies the reason a connection was taken offline per Q.931 specification.
26	9	31	Voice-Quality (h323-voice-quality)	Specifies the impairment factor (ICPIF) affecting voice quality for a call.
26	9	33	Gateway-ID (h323-gw-id)	Indicates the name of the underlying gateway.
Large Scale Dialout Attributes				
26	9	1	callback-dialstring	Defines a dialing string to be used for callback.
26	9	1	data-service	No description available.
26	9	1	dial-number	Defines the number to dial.
26	9	1	force-56	Determines whether the network access server uses only the 56 K portion of a channel, even when all 64 K appear to be available.
26	9	1	map-class	Allows the user profile to reference information configured in a map class of the same name on the network access server that dials out.
26	9	1	send-auth	Defines the protocol to use (PAP or CHAP) for username-password authentication following CLID authentication.

Number	Vendor-Specific Company Code	Sub-Type Number	Attribute	Description
26	9	1	send-name	<p>PPP name authentication. To apply for PAP, do not configure the ppp pap sent-name password command on the interface. For PAP, “preauth:send-name” and “preauth:send-secret” will be used as the PAP username and PAP password for outbound authentication. For CHAP, “preauth:send-name” will be used not only for outbound authentication, but also for inbound authentication. For a CHAP inbound case, the NAS will use the name defined in “preauth:send-name” in the challenge packet to the caller box.</p> <p>Note The send-name attribute has changed over time: Initially, it performed the functions now provided by both the send-name and remote-name attributes. Because the remote-name attribute has been added, the send-name attribute is restricted to its current behavior.</p>

Number	Vendor-Specific Company Code	Sub-Type Number	Attribute	Description
26	9	1	send-secret	PPP password authentication. The vendor-specific attributes (VSAs) "preauth:send-name" and "preauth:send-secret" will be used as the PAP username and PAP password for outbound authentication. For a CHAP outbound case, both "preauth:send-name" and "preauth:send-secret" will be used in the response packet.
26	9	1	remote-name	Provides the name of the remote host for use in large-scale dial-out. Dialer checks that the large-scale dial-out remote name matches the authenticated name, to protect against accidental user RADIUS misconfiguration. (For example, dialing a valid phone number but connecting to the wrong device.)
Miscellaneous Attributes				

Number	Vendor-Specific Company Code	Sub-Type Number	Attribute	Description
26	9	2	Cisco-NAS-Port	<p>Specifies additional vendor specific attribute (VSA) information for NAS-Port accounting. To specify additional NAS-Port information in the form an Attribute-Value Pair (AVPair) string, use the radius-server vsa send global configuration command.</p> <p>Note This VSA is typically used in Accounting, but may also be used in Authentication (Access-Request) packets.</p>
26	9	1	min-links	Sets the minimum number of links for MLP.
26	9	1	proxyacl#<n>	Allows users to configure the downloadable user profiles (dynamic ACLs) by using the authentication proxy feature so that users can have the configured authorization to permit traffic going through the configured interfaces.

Number	Vendor-Specific Company Code	Sub-Type Number	Attribute	Description
26	9	1	spi	Carries the authentication information needed by the home agent to authenticate a mobile node during registration. The information is in the same syntax as the ip mobile secure host <addr> configuration command. Basically it contains the rest of the configuration command that follows that string, verbatim. It provides the Security Parameter Index (SPI), key, authentication algorithm, authentication mode, and replay protection timestamp range.

Related Topics

[Configuring the Switch to Use Vendor-Specific RADIUS Attributes, on page 99](#)

Vendor-Proprietary RADIUS Server Communication

Although an IETF draft standard for RADIUS specifies a method for communicating vendor-proprietary information between the switch and the RADIUS server, some vendors have extended the RADIUS attribute set in a unique way. Cisco IOS software supports a subset of vendor-proprietary RADIUS attributes.

As mentioned earlier, to configure RADIUS (whether vendor-proprietary or IETF draft-compliant), you must specify the host running the RADIUS server daemon and the secret text string it shares with the switch. You specify the RADIUS host and secret text string by using the **radius server** global configuration commands.

Related Topics

[Configuring the Switch for Vendor-Proprietary RADIUS Server Communication, on page 101](#)

How to Configure RADIUS

Identifying the RADIUS Server Host

To apply these settings globally to all RADIUS servers communicating with the Switch, use the three unique global configuration commands: **radius-server timeout**, **radius-server retransmit**, and **radius-server key**.

You can configure the Switch to use AAA server groups to group existing server hosts for authentication. For more information, see Related Topics below.

You also need to configure some settings on the RADIUS server. These settings include the IP address of the Switch and the key string to be shared by both the server and the Switch. For more information, see the RADIUS server documentation.

Follow these steps to configure per-server RADIUS server communication.

Before You Begin

If you configure both global and per-server functions (timeout, retransmission, and key commands) on the switch, the per-server timer, retransmission, and key value commands override global timer, retransmission, and key value commands. For information on configuring these settings on all RADIUS servers, see Related Topics below.

SUMMARY STEPS

1. **enable**
2. **configure terminal**
3. **radius-server host** {*hostname* | *ip-address*} [**auth-port** *port-number*] [**acct-port** *port-number*] [**timeout** *seconds*] [**retransmit** *retries*] [**key** *string*]
4. **end**
5. **show running-config**
6. **copy running-config startup-config**

DETAILED STEPS

	Command or Action	Purpose
Step 1	enable Example: Switch> enable	Enables privileged EXEC mode. Enter your password if prompted.
Step 2	configure terminal Example: Switch# configure terminal	Enters the global configuration mode.
Step 3	radius-server host { <i>hostname</i> <i>ip-address</i> } [auth-port <i>port-number</i>] [acct-port <i>port-number</i>] [timeout <i>seconds</i>] [retransmit <i>retries</i>] [key <i>string</i>] Example: Switch(config)# radius-server host 172.29.36.49 auth-port 1612	Specifies the IP address or hostname of the remote RADIUS server host. <ul style="list-style-type: none"> • (Optional) For auth-port <i>port-number</i>, specify the UDP destination port for authentication requests. • (Optional) For acct-port <i>port-number</i>, specify the UDP destination port for accounting requests. • (Optional) For timeout <i>seconds</i>, specify the time interval that the Switch waits for the RADIUS server to reply before resending. The range is 1 to 1000. This setting overrides the radius-server timeout global configuration

	Command or Action	Purpose
	<pre>key rad1</pre>	<p>command setting. If no timeout is set with the radius-server host command, the setting of the radius-server timeout command is used.</p> <ul style="list-style-type: none"> • (Optional) For retransmit retries, specify the number of times a RADIUS request is resent to a server if that server is not responding or responding slowly. The range is 1 to 1000. If no retransmit value is set with the radius-server host command, the setting of the radius-server retransmit global configuration command is used. • (Optional) For key string, specify the authentication and encryption key used between the Switch and the RADIUS daemon running on the RADIUS server. <p>Note The key is a text string that must match the encryption key used on the RADIUS server. Always configure the key as the last item in the radius-server host command. Leading spaces are ignored, but spaces within and at the end of the key are used. If you use spaces in your key, do not enclose the key in quotation marks unless the quotation marks are part of the key.</p> <p>To configure the Switch to recognize more than one host entry associated with a single IP address, enter this command as many times as necessary, making sure that each UDP port number is different. The Switch software searches for hosts in the order in which you specify them. Set the timeout, retransmit, and encryption key values to use with the specific RADIUS host.</p>
Step 4	<p>end</p> <p>Example:</p> <pre>Switch(config)# end</pre>	Returns to privileged EXEC mode.
Step 5	<p>show running-config</p> <p>Example:</p> <pre>Switch# show running-config</pre>	Verifies your entries.
Step 6	<p>copy running-config startup-config</p> <p>Example:</p> <pre>Switch# copy running-config startup-config</pre>	(Optional) Saves your entries in the configuration file.

Related Topics

[RADIUS Server Host, on page 73](#)

[Defining AAA Server Groups, on page 92](#)

[Configuring Settings for All RADIUS Servers, on page 97](#)

Configuring RADIUS Login Authentication

Follow these steps to configure RADIUS login authentication:

Before You Begin

To secure the switch for HTTP access by using AAA methods, you must configure the switch with the **ip http authentication aaa** global configuration command. Configuring AAA authentication does not secure the switch for HTTP access by using AAA methods.

SUMMARY STEPS

1. **enable**
2. **configure terminal**
3. **aaa new-model**
4. **aaa authentication login** {default | *list-name*} *method1* [*method2...*]
5. **line** [console | tty | vty] *line-number* [*ending-line-number*]
6. **login authentication** {default | *list-name*}
7. **end**
8. **show running-config**
9. **copy running-config startup-config**

DETAILED STEPS

	Command or Action	Purpose
Step 1	enable Example: Switch> enable	Enables privileged EXEC mode. Enter your password if prompted.
Step 2	configure terminal Example: Switch# configure terminal	Enters the global configuration mode.
Step 3	aaa new-model Example: Switch(config)# aaa new-model	Enables AAA.
Step 4	aaa authentication login {default <i>list-name</i> } <i>method1</i> [<i>method2...</i>] Example: Switch(config)# aaa authentication login default group1 local	Creates a login authentication method list.

	Command or Action	Purpose
	<p>Example:</p> <pre>Switch(config)# aaa authentication login default local</pre>	<ul style="list-style-type: none"> • To create a default list that is used when a named list is <i>not</i> specified in the login authentication command, use the default keyword followed by the methods that are to be used in default situations. The default method list is automatically applied to all ports. • For <i>list-name</i>, specify a character string to name the list you are creating. • For <i>method1...</i>, specify the actual method the authentication algorithm tries. The additional methods of authentication are used only if the previous method returns an error, not if it fails. <p>Select one of these methods:</p> <ul style="list-style-type: none"> ◦ <i>enable</i>—Use the enable password for authentication. Before you can use this authentication method, you must define an enable password by using the enable password global configuration command. ◦ <i>group radius</i>—Use RADIUS authentication. Before you can use this authentication method, you must configure the RADIUS server. ◦ <i>line</i>—Use the line password for authentication. Before you can use this authentication method, you must define a line password. Use the password password line configuration command. ◦ <i>local</i>—Use the local username database for authentication. You must enter username information in the database. Use the username name password global configuration command. ◦ <i>local-case</i>—Use a case-sensitive local username database for authentication. You must enter username information in the database by using the username password global configuration command. ◦ <i>none</i>—Do not use any authentication for login.
<p>Step 5</p>	<p>line [console tty vty] <i>line-number</i> [<i>ending-line-number</i>]</p> <p>Example:</p> <pre>Switch(config)# line 1 4</pre>	<p>Enters line configuration mode, and configure the lines to which you want to apply the authentication list.</p>
<p>Step 6</p>	<p>login authentication {default <i>list-name</i>}</p> <p>Example:</p> <pre>Switch(config)# login authentication default</pre>	<p>Applies the authentication list to a line or set of lines.</p> <ul style="list-style-type: none"> • If you specify default, use the default list created with the aaa authentication login command. • For <i>list-name</i>, specify the list created with the aaa authentication login command.

	Command or Action	Purpose
Step 7	end Example: Switch(config)# end	Returns to privileged EXEC mode.
Step 8	show running-config Example: Switch# show running-config	Verifies your entries.
Step 9	copy running-config startup-config Example: Switch# copy running-config startup-config	(Optional) Saves your entries in the configuration file.

Related Topics

[RADIUS Login Authentication, on page 74](#)

[RADIUS Server Host, on page 73](#)

Defining AAA Server Groups

You use the **server** group server configuration command to associate a particular server with a defined group server. You can either identify the server by its IP address or identify multiple host instances or entries by using the optional **auth-port** and **acct-port** keywords.

Follow these steps to define AAA server groups:

SUMMARY STEPS

1. **enable**
2. **configure terminal**
3. **radius server** *name*
4. **address** {*ipv4* | *ipv6*} {*ip-address* | *hostname*} **auth-port** *port-number* **acct-port** *port-number*
5. **key** *string*
6. **end**
7. **show running-config**
8. **copy running-config startup-config**

DETAILED STEPS

	Command or Action	Purpose
Step 1	enable Example: Switch> enable	Enables privileged EXEC mode. Enter your password if prompted.
Step 2	configure terminal Example: Switch# configure terminal	Enters the global configuration mode.
Step 3	radius server <i>name</i> Example: Switch(config)# radius server ISE	Specifies the name of the RADIUS server configuration for Protected Access Credential (PAC) provisioning and enters RADIUS server configuration mode. The switch also supports RADIUS for IPv6.
Step 4	address { ipv4 ipv6 } { <i>ip-address</i> <i>hostname</i> } auth-port <i>port-number</i> acct-port <i>port-number</i> Example: Switch(config-radius-server)# address ipv4 10.1.1.1 auth-port 1645 acct-port 1646	Configures the IPv4 address for the RADIUS server accounting and authentication parameters.
Step 5	key <i>string</i> Example: Switch(config-radius-server)# key cisco123	Specifies the authentication and encryption key for all RADIUS communications between the device and the RADIUS server.
Step 6	end Example: Switch(config-radius-server)# end	Exits RADIUS server configuration mode and returns to privileged EXEC mode.
Step 7	show running-config Example: Switch# show running-config	Verifies your entries.

	Command or Action	Purpose
Step 8	copy running-config startup-config Example: Switch# copy running-config startup-config	(Optional) Saves your entries in the configuration file.

Related Topics

[Identifying the RADIUS Server Host, on page 87](#)

[RADIUS Server Host, on page 73](#)

[AAA Server Groups, on page 74](#)

Configuring RADIUS Authorization for User Privileged Access and Network Services



Note

Authorization is bypassed for authenticated users who log in through the CLI even if authorization has been configured.

Follow these steps to configure RADIUS authorization for user privileged access and network services:

SUMMARY STEPS

1. **enable**
2. **configure terminal**
3. **aaa authorization network radius**
4. **aaa authorization exec radius**
5. **end**
6. **show running-config**
7. **copy running-config startup-config**

DETAILED STEPS

	Command or Action	Purpose
Step 1	enable Example: Switch> enable	Enables privileged EXEC mode. Enter your password if prompted.

	Command or Action	Purpose
Step 2	configure terminal Example: Switch# configure terminal	Enters the global configuration mode.
Step 3	aaa authorization network radius Example: Switch(config)# aaa authorization network radius	Configures the switch for user RADIUS authorization for all network-related service requests.
Step 4	aaa authorization exec radius Example: Switch(config)# aaa authorization exec radius	Configures the switch for user RADIUS authorization if the user has privileged EXEC access. The exec keyword might return user profile information (such as autocommand information).
Step 5	end Example: Switch(config)# end	Returns to privileged EXEC mode.
Step 6	show running-config Example: Switch# show running-config	Verifies your entries.
Step 7	copy running-config startup-config Example: Switch# copy running-config startup-config	(Optional) Saves your entries in the configuration file.

What to Do Next

You can use the **aaa authorization** global configuration command with the **radius** keyword to set parameters that restrict a user's network access to privileged EXEC mode.

The **aaa authorization exec radius local** command sets these authorization parameters:

- Use RADIUS for privileged EXEC access authorization if authentication was performed by using RADIUS.
- Use the local database if authentication was not performed by using RADIUS.

Related Topics

[AAA Authorization, on page 75](#)

Starting RADIUS Accounting

Follow these steps to start RADIUS accounting:

SUMMARY STEPS

1. **enable**
2. **configure terminal**
3. **aaa accounting network start-stop radius**
4. **aaa accounting exec start-stop radius**
5. **end**
6. **show running-config**
7. **copy running-config startup-config**

DETAILED STEPS

	Command or Action	Purpose
Step 1	enable Example: Switch> enable	Enables privileged EXEC mode. Enter your password if prompted.
Step 2	configure terminal Example: Switch# configure terminal	Enters the global configuration mode.
Step 3	aaa accounting network start-stop radius Example: Switch(config)# aaa accounting network start-stop radius	Enables RADIUS accounting for all network-related service requests.
Step 4	aaa accounting exec start-stop radius Example: Switch(config)# aaa accounting exec start-stop radius	Enables RADIUS accounting to send a start-record accounting notice at the beginning of a privileged EXEC process and a stop-record at the end.

	Command or Action	Purpose
Step 5	end Example: Switch(config)# end	Returns to privileged EXEC mode.
Step 6	show running-config Example: Switch# show running-config	Verifies your entries.
Step 7	copy running-config startup-config Example: Switch# copy running-config startup-config	(Optional) Saves your entries in the configuration file.

What to Do Next

To establishing a session with a router if the AAA server is unreachable, use the **aaa accounting system guarantee-first** command. This command guarantees system accounting as the first record, which is the default condition. In some situations, users might be prevented from starting a session on the console or terminal connection until after the system reloads, which can take more than 3 minutes.

To establish a console or Telnet session with the router if the AAA server is unreachable when the router reloads, use the **no aaa accounting system guarantee-first** command.

Related Topics

[RADIUS Accounting, on page 75](#)

Configuring Settings for All RADIUS Servers

Beginning in privileged EXEC mode, follow these steps to configure settings for all RADIUS servers:

SUMMARY STEPS

1. **configure terminal**
2. **radius-server key *string***
3. **radius-server retransmit *retries***
4. **radius-server timeout *seconds***
5. **radius-server deadtime *minutes***
6. **end**
7. **show running-config**
8. **copy running-config startup-config**

DETAILED STEPS

	Command or Action	Purpose
Step 1	configure terminal Example: <pre>Switch# configure terminal</pre>	Enters the global configuration mode.
Step 2	radius-server key <i>string</i> Example: <pre>Switch(config)# radius-server key your_server_key Switch(config)# key your_server_key</pre>	Specifies the shared secret text string used between the switch and all RADIUS servers. Note The key is a text string that must match the encryption key used on the RADIUS server. Leading spaces are ignored, but spaces within and at the end of the key are used. If you use spaces in your key, do not enclose the key in quotation marks unless the quotation marks are part of the key.
Step 3	radius-server retransmit <i>retries</i> Example: <pre>Switch(config)# radius-server retransmit 5</pre>	Specifies the number of times the switch sends each RADIUS request to the server before giving up. The default is 3; the range is 1 to 1000.
Step 4	radius-server timeout <i>seconds</i> Example: <pre>Switch(config)# radius-server timeout 3</pre>	Specifies the number of seconds a switch waits for a reply to a RADIUS request before resending the request. The default is 5 seconds; the range is 1 to 1000.
Step 5	radius-server deadtime <i>minutes</i> Example: <pre>Switch(config)# radius-server deadtime 0</pre>	When a RADIUS server is not responding to authentication requests, this command specifies a time to stop the request on that server. This avoids the wait for the request to timeout before trying the next configured server. The default is 0; the range is 1 to 1440 minutes.

	Command or Action	Purpose
Step 6	end Example: Switch(config)# end	Returns to privileged EXEC mode.
Step 7	show running-config Example: Switch# show running-config	Verifies your entries.
Step 8	copy running-config startup-config Example: Switch# copy running-config startup-config	(Optional) Saves your entries in the configuration file.

Related Topics

[Identifying the RADIUS Server Host, on page 87](#)

[RADIUS Server Host, on page 73](#)

Configuring the Switch to Use Vendor-Specific RADIUS Attributes

Follow these steps to configure the switch to use vendor-specific RADIUS attributes:

SUMMARY STEPS

1. **enable**
2. **configure terminal**
3. **radius-server vsa send [accounting | authentication]**
4. **end**
5. **show running-config**
6. **copy running-config startup-config**

DETAILED STEPS

	Command or Action	Purpose
Step 1	enable	Enables privileged EXEC mode. Enter your password if prompted.

	Command or Action	Purpose
	<p>Example:</p> <pre>Switch> enable</pre>	
Step 2	<p>configure terminal</p> <p>Example:</p> <pre>Switch# configure terminal</pre>	Enters the global configuration mode.
Step 3	<p>radius-server vsa send [accounting authentication]</p> <p>Example:</p> <pre>Switch(config)# radius-server vsa send accounting</pre>	<p>Enables the switch to recognize and use VSAs as defined by RADIUS IETF attribute 26.</p> <ul style="list-style-type: none"> • (Optional) Use the accounting keyword to limit the set of recognized vendor-specific attributes to only accounting attributes. • (Optional) Use the authentication keyword to limit the set of recognized vendor-specific attributes to only authentication attributes. <p>If you enter this command without keywords, both accounting and authentication vendor-specific attributes are used.</p>
Step 4	<p>end</p> <p>Example:</p> <pre>Switch(config)# end</pre>	Returns to privileged EXEC mode.
Step 5	<p>show running-config</p> <p>Example:</p> <pre>Switch# show running-config</pre>	Verifies your entries.
Step 6	<p>copy running-config startup-config</p> <p>Example:</p> <pre>Switch# copy running-config startup-config</pre>	(Optional) Saves your entries in the configuration file.

Related Topics

[Vendor-Specific RADIUS Attributes, on page 75](#)

Configuring the Switch for Vendor-Proprietary RADIUS Server Communication

Follow these steps to configure the switch to use vendor-proprietary RADIUS server communication:

SUMMARY STEPS

1. **enable**
2. **configure terminal**
3. **radius-server host {hostname | ip-address} non-standard**
4. **radius-server key string**
5. **end**
6. **show running-config**
7. **copy running-config startup-config**

DETAILED STEPS

	Command or Action	Purpose
Step 1	enable Example: Switch> enable	Enables privileged EXEC mode. Enter your password if prompted.
Step 2	configure terminal Example: Switch# configure terminal	Enters the global configuration mode.
Step 3	radius-server host {hostname ip-address} non-standard Example: Switch(config)# radius-server host 172.20.30.15 non-standard	Specifies the IP address or hostname of the remote RADIUS server host and identifies that it is using a vendor-proprietary implementation of RADIUS.
Step 4	radius-server key string Example: Switch(config)# radius-server key rad124	Specifies the shared secret text string used between the switch and the vendor-proprietary RADIUS server. The switch and the RADIUS server use this text string to encrypt passwords and exchange responses. Note The key is a text string that must match the encryption key used on the RADIUS server. Leading spaces are ignored, but spaces within and at the end of the key are used. If you use spaces in your key, do not enclose the key in quotation marks unless the quotation marks are part of the key.

	Command or Action	Purpose
Step 5	end Example: Switch(config) # end	Returns to privileged EXEC mode.
Step 6	show running-config Example: Switch# show running-config	Verifies your entries.
Step 7	copy running-config startup-config Example: Switch# copy running-config startup-config	(Optional) Saves your entries in the configuration file.

Related Topics

[Vendor-Proprietary RADIUS Server Communication, on page 87](#)

Configuring CoA on the Switch

Follow these steps to configure CoA on a switch. This procedure is required.

SUMMARY STEPS

1. **enable**
2. **configure terminal**
3. **aaa new-model**
4. **aaa server radius dynamic-author**
5. **client** {*ip-address* | *name*} [*vrf vrfname*] [**server-key** *string*]
6. **server-key** [0 | 7] *string*
7. **port** *port-number*
8. **auth-type** {*any* | *all* | *session-key*}
9. **ignore session-key**
10. **ignore server-key**
11. **authentication command bounce-port ignore**
12. **authentication command disable-port ignore**
13. **end**
14. **show running-config**
15. **copy running-config startup-config**

DETAILED STEPS

	Command or Action	Purpose
Step 1	enable Example: Switch> enable	Enables privileged EXEC mode. Enter your password if prompted.
Step 2	configure terminal Example: Switch# configure terminal	Enters the global configuration mode.
Step 3	aaa new-model Example: Switch(config)# aaa new-model	Enables AAA.
Step 4	aaa server radius dynamic-author Example: Switch(config)# aaa server radius dynamic-author	Configures the switch as an authentication, authorization, and accounting (AAA) server to facilitate interaction with an external policy server.

	Command or Action	Purpose
Step 5	client { <i>ip-address</i> <i>name</i> } [vrf <i>vrfname</i>] [server-key <i>string</i>]	Enters dynamic authorization local server configuration mode and specifies a RADIUS client from which a device will accept CoA and disconnect requests.
Step 6	server-key [0 7] <i>string</i> Example: Switch(config-sg-radius)# server-key your_server_key	Configures the RADIUS key to be shared between a device and RADIUS clients.
Step 7	port <i>port-number</i> Example: Switch(config-sg-radius)# port 25	Specifies the port on which a device listens for RADIUS requests from configured RADIUS clients.
Step 8	auth-type { any all session-key } Example: Switch(config-sg-radius)# auth-type any	Specifies the type of authorization the switch uses for RADIUS clients. The client must match all the configured attributes for authorization.
Step 9	ignore session-key	(Optional) Configures the switch to ignore the session-key. For more information about the ignore command, see the <i>Cisco IOS Intelligent Services Gateway Command Reference</i> on Cisco.com.
Step 10	ignore server-key Example: Switch(config-sg-radius)# ignore server-key	(Optional) Configures the switch to ignore the server-key. For more information about the ignore command, see the <i>Cisco IOS Intelligent Services Gateway Command Reference</i> on Cisco.com.
Step 11	authentication command bounce-port ignore Example: Switch(config-sg-radius)# authentication command bounce-port ignore	(Optional) Configures the switch to ignore a CoA request to temporarily disable the port hosting a session. The purpose of temporarily disabling the port is to trigger a DHCP renegotiation from the host when a VLAN change occurs and there is no supplicant on the endpoint to detect the change.
Step 12	authentication command disable-port ignore Example: Switch(config-sg-radius)# authentication command disable-port ignore	(Optional) Configures the switch to ignore a nonstandard command requesting that the port hosting a session be administratively shut down. Shutting down the port results in termination of the session. Use standard CLI or SNMP commands to re-enable the port.

	Command or Action	Purpose
Step 13	end Example: Switch(config-sg-radius)# end	Returns to privileged EXEC mode.
Step 14	show running-config Example: Switch# show running-config	Verifies your entries.
Step 15	copy running-config startup-config Example: Switch# copy running-config startup-config	(Optional) Saves your entries in the configuration file.

Monitoring CoA Functionality

Table 13: Privileged EXEC show Commands

Command	Purpose
show aaa attributes protocol radius	Displays AAA attributes of RADIUS commands.

Table 14: Global Troubleshooting Commands

Command	Purpose
debug radius	Displays information for troubleshooting RADIUS.
debug aaa coa	Displays information for troubleshooting CoA processing.
debug aaa pod	Displays information for troubleshooting POD packets.
debug aaa subsys	Displays information for troubleshooting POD packets.

Command	Purpose
<code>debug cmdhd [detail error events]</code>	Displays information for troubleshooting command headers.

For detailed information about the fields in these displays, see the command reference for this release.

Configuration Examples for Controlling Switch Access with RADIUS

Examples: Identifying the RADIUS Server Host

This example shows how to configure one RADIUS server to be used for authentication and another to be used for accounting:

```
Switch(config)# radius-server host 172.29.36.49 auth-port 1612 key rad1
Switch(config)# radius-server host 172.20.36.50 acct-port 1618 key rad2
```

This example shows how to configure *host1* as the RADIUS server and to use the default ports for both authentication and accounting:

```
Switch(config)# radius-server host host1
```

Example: Using Two Different RADIUS Group Servers

In this example, the switch is configured to recognize two different RADIUS group servers (*group1* and *group2*). Group1 has two different host entries on the same RADIUS server configured for the same services. The second host entry acts as a fail-over backup to the first entry.

```
Switch(config)# radius-server host 172.20.0.1 auth-port 1000 acct-port 1001
Switch(config)# radius-server host 172.10.0.1 auth-port 1645 acct-port 1646
Switch(config)# aaa new-model
Switch(config)# aaa group server radius group1
Switch(config-sg-radius)# server 172.20.0.1 auth-port 1000 acct-port 1001
Switch(config-sg-radius)# exit
Switch(config)# aaa group server radius group2
Switch(config-sg-radius)# server 172.20.0.1 auth-port 2000 acct-port 2001
Switch(config-sg-radius)# exit
```


Examples: Configuring the Switch to Use Vendor-Specific RADIUS Attributes

For example, this AV pair activates Cisco's *multiple named ip address pools* feature during IP authorization (during PPP IPCP address assignment):

```
cisco-avpair= "ip:addr-pool=first"
```

This example shows how to provide a user logging in from a switch with immediate access to privileged EXEC commands:

```
cisco-avpair= "shell:priv-lvl=15"
```

This example shows how to specify an authorized VLAN in the RADIUS server database:

```
cisco-avpair= "tunnel-type (#64)=VLAN (13)"
cisco-avpair= "tunnel-medium-type (#65)=802 media (6)"
cisco-avpair= "tunnel-private-group-id (#81)=vlanid"
```

This example shows how to apply an input ACL in ASCII format to an interface for the duration of this connection:

```
cisco-avpair= "ip:inacl#1=deny ip 10.10.10.10 0.0.255.255 20.20.20.20 255.255.0.0"
cisco-avpair= "ip:inacl#2=deny ip 10.10.10.10 0.0.255.255 any"
cisco-avpair= "mac:inacl#3=deny any any decnet-iv"
```

This example shows how to apply an output ACL in ASCII format to an interface for the duration of this connection:

```
cisco-avpair= "ip:outacl#2=deny ip 10.10.10.10 0.0.255.255 any"
```

Example: Configuring the Switch for Vendor-Proprietary RADIUS Server Communication

This example shows how to specify a vendor-proprietary RADIUS host and to use a secret key of *rad124* between the switch and the server:

```
Switch(config)# radius-server host 172.20.30.15 nonstandard
Switch(config)# radius-server key rad124
```

Additional References for Configuring Secure Shell

Related Documents

Related Topic	Document Title
Configuring Identity Control policies and Identity Service templates for Session Aware networking.	Session Aware Networking Configuration Guide, Cisco IOS XE Release 3SE (Catalyst 3850 Switches)

Related Topic	Document Title
Configuring RADIUS, TACACS+, Secure Shell, 802.1X and AAA.	Securing User Services Configuration Guide Library, Cisco IOS XE Release 3SE (Catalyst 3850 Switches)

Error Message Decoder

Description	Link
To help you research and resolve system error messages in this release, use the Error Message Decoder tool.	https://www.cisco.com/cgi-bin/Support/Errordecoder/index.cgi

Standards and RFCs

Standard/RFC	Title
None	

MIBs

MIB	MIBs Link
All supported MIBs for this release.	To locate and download MIBs for selected platforms, Cisco IOS releases, and feature sets, use Cisco MIB Locator found at the following URL: http://www.cisco.com/go/mibs

Technical Assistance

Description	Link
<p>The Cisco Support website provides extensive online resources, including documentation and tools for troubleshooting and resolving technical issues with Cisco products and technologies.</p> <p>To receive security and technical information about your products, you can subscribe to various services, such as the Product Alert Tool (accessed from Field Notices), the Cisco Technical Services Newsletter, and Really Simple Syndication (RSS) Feeds.</p> <p>Access to most tools on the Cisco Support website requires a Cisco.com user ID and password.</p>	http://www.cisco.com/support



Configuring Kerberos

- [Finding Feature Information, page 109](#)
- [Prerequisites for Controlling Switch Access with Kerberos, page 109](#)
- [Information about Kerberos, page 110](#)
- [How to Configure Kerberos, page 114](#)
- [Monitoring the Kerberos Configuration, page 114](#)
- [Additional References, page 114](#)

Finding Feature Information

Your software release may not support all the features documented in this module. For the latest caveats and feature information, see Bug Search Tool and the release notes for your platform and software release. To find information about the features documented in this module, and to see a list of the releases in which each feature is supported, see the feature information table at the end of this module.

Use Cisco Feature Navigator to find information about platform support and Cisco software image support. To access Cisco Feature Navigator, go to <http://www.cisco.com/go/cfn>. An account on Cisco.com is not required.

Prerequisites for Controlling Switch Access with Kerberos

The following are the prerequisites for controlling switch access with Kerberos.

- So that remote users can authenticate to network services, you must configure the hosts and the KDC in the Kerberos realm to communicate and mutually authenticate users and network services. To do this, you must identify them to each other. You add entries for the hosts to the Kerberos database on the KDC and add KEYTAB files generated by the KDC to all hosts in the Kerberos realm. You also create entries for the users in the KDC database.
- A Kerberos server can be a switch that is configured as a network security server and that can authenticate users by using the Kerberos protocol.

When you add or create entries for the hosts and users, follow these guidelines:

- The Kerberos principal name *must* be in all lowercase characters.
- The Kerberos instance name *must* be in all lowercase characters.
- The Kerberos realm name *must* be in all uppercase characters.

Information about Kerberos

This section provides Kerberos information.

Kerberos and Switch Access

This section describes how to enable and configure the Kerberos security system, which authenticates requests for network resources by using a trusted third party.

**Note**

In the Kerberos configuration examples, the trusted third party can be any switch that supports Kerberos, that is configured as a network security server, and that can authenticate users by using the Kerberos protocol.

Kerberos Overview

Kerberos is a secret-key network authentication protocol, which was developed at the Massachusetts Institute of Technology (MIT). It uses the Data Encryption Standard (DES) cryptographic algorithm for encryption and authentication and authenticates requests for network resources. Kerberos uses the concept of a trusted third party to perform secure verification of users and services. This trusted third party is called the *key distribution center* (KDC).

Kerberos verifies that users are who they claim to be and the network services that they use are what the services claim to be. To do this, a KDC or trusted Kerberos server issues tickets to users. These tickets, which have a limited life span, are stored in user credential caches. The Kerberos server uses the tickets instead of user names and passwords to authenticate users and network services.

**Note**

A Kerberos server can be any switch that is configured as a network security server and that can authenticate users by using the Kerberos protocol.

The Kerberos credential scheme uses a process called *single logon*. This process authenticates a user once and then allows secure authentication (without encrypting another password) wherever that user credential is accepted.

This software release supports Kerberos 5, which allows organizations that are already using Kerberos 5 to use the same Kerberos authentication database on the KDC that they are already using on their other network hosts (such as UNIX servers and PCs).

Kerberos supports these network services:

- Telnet

- rlogin
- rsh

This table lists the common Kerberos-related terms and definitions.

Table 15: Kerberos Terms

Term	Definition
Authentication	A process by which a user or service identifies itself to another service. For example, a client can authenticate to a switch or a switch can authenticate to another switch.
Authorization	A means by which the switch identifies what privileges the user has in a network or on the switch and what actions the user can perform.
Credential	A general term that refers to authentication tickets, such as TGTs ² and service credentials. Kerberos credentials verify the identity of a user or service. If a network service decides to trust the Kerberos server that issued a ticket, it can be used in place of re-entering a username and password. Credentials have a default life span of eight hours.
Instance	<p>An authorization level label for Kerberos principals. Most Kerberos principals are of the form <i>user@REALM</i> (for example, <i>smith@EXAMPLE.COM</i>). A Kerberos principal with a Kerberos instance has the form <i>user/instance@REALM</i> (for example, <i>smith/admin@EXAMPLE.COM</i>). The Kerberos instance can be used to specify the authorization level for the user if authentication is successful. The server of each network service might implement and enforce the authorization mappings of Kerberos instances but is not required to do so.</p> <p>Note The Kerberos principal and instance names <i>must</i> be in all lowercase characters.</p> <p>Note The Kerberos realm name <i>must</i> be in all uppercase characters.</p>
KDC ³	Key distribution center that consists of a Kerberos server and database program that is running on a network host.
Kerberized	A term that describes applications and services that have been modified to support the Kerberos credential infrastructure.

Term	Definition
Kerberos realm	<p>A domain consisting of users, hosts, and network services that are registered to a Kerberos server. The Kerberos server is trusted to verify the identity of a user or network service to another user or network service.</p> <p>Note The Kerberos realm name <i>must</i> be in all uppercase characters.</p>
Kerberos server	<p>A daemon that is running on a network host. Users and network services register their identity with the Kerberos server. Network services query the Kerberos server to authenticate to other network services.</p>
KEYTAB ⁴	<p>A password that a network service shares with the KDC. In Kerberos 5 and later Kerberos versions, the network service authenticates an encrypted service credential by using the KEYTAB to decrypt it. In Kerberos versions earlier than Kerberos 5, KEYTAB is referred to as SRVTAB⁵.</p>
Principal	<p>Also known as a Kerberos identity, this is who you are or what a service is according to the Kerberos server.</p> <p>Note The Kerberos principal name <i>must</i> be in all lowercase characters.</p>
Service credential	<p>A credential for a network service. When issued from the KDC, this credential is encrypted with the password shared by the network service and the KDC. The password is also shared with the user TGT.</p>
SRVTAB	<p>A password that a network service shares with the KDC. In Kerberos 5 or later Kerberos versions, SRVTAB is referred to as KEYTAB.</p>
TGT	<p>Ticket granting ticket that is a credential that the KDC issues to authenticated users. When users receive a TGT, they can authenticate to network services within the Kerberos realm represented by the KDC.</p>

- ² ticket granting ticket
- ³ key distribution center
- ⁴ key table
- ⁵ server table

Kerberos Operation

A Kerberos server can be a switch that is configured as a network security server and that can authenticate remote users by using the Kerberos protocol. Although you can customize Kerberos in a number of ways, remote users attempting to access network services must pass through three layers of security before they can access network services.

To authenticate to network services by using a switch as a Kerberos server, remote users must follow these steps:

Authenticating to a Boundary Switch

This section describes the first layer of security through which a remote user must pass. The user must first authenticate to the boundary switch. This process then occurs:

- 1 The user opens an un-Kerberized Telnet connection to the boundary switch.
- 2 The switch prompts the user for a username and password.
- 3 The switch requests a TGT from the KDC for this user.
- 4 The KDC sends an encrypted TGT that includes the user identity to the switch.
- 5 The switch attempts to decrypt the TGT by using the password that the user entered.
 - If the decryption is successful, the user is authenticated to the switch.
 - If the decryption is not successful, the user repeats Step 2 either by re-entering the username and password (noting if Caps Lock or Num Lock is on or off) or by entering a different username and password.

A remote user who initiates a un-Kerberized Telnet session and authenticates to a boundary switch is inside the firewall, but the user must still authenticate directly to the KDC before getting access to the network services. The user must authenticate to the KDC because the TGT that the KDC issues is stored on the switch and cannot be used for additional authentication until the user logs on to the switch.

Obtaining a TGT from a KDC

This section describes the second layer of security through which a remote user must pass. The user must now authenticate to a KDC and obtain a TGT from the KDC to access network services.

For instructions about how to authenticate to a KDC, see the “Obtaining a TGT from a KDC” section in the “Security Server Protocols” chapter of the *Cisco IOS Security Configuration Guide, Release 12.4*.

Authenticating to Network Services

This section describes the third layer of security through which a remote user must pass. The user with a TGT must now authenticate to the network services in a Kerberos realm.

For instructions about how to authenticate to a network service, see the “Authenticating to Network Services” section in the “Security Server Protocols” chapter of the *Cisco IOS Security Configuration Guide, Release 12.4*.

How to Configure Kerberos

To set up a Kerberos-authenticated server-client system, follow these steps:

- Configure the KDC by using Kerberos commands.
- Configure the switch to use the Kerberos protocol.

Monitoring the Kerberos Configuration

To display the Kerberos configuration, use the following commands:

- **show running-config**
- **show kerberos creds**: Lists the credentials in a current user's credentials cache.
- **clear kerberos creds**: Destroys all credentials in a current user's credentials cache, including those forwarded.

Additional References

Related Documents

Related Topic	Document Title
Kerberos Commands	<i>Cisco IOS Security Command Reference</i>

Error Message Decoder

Description	Link
To help you research and resolve system error messages in this release, use the Error Message Decoder tool.	https://www.cisco.com/cgi-bin/Support/Errordecoder/index.cgi

MIBs

MIB	MIBs Link
All supported MIBs for this release.	To locate and download MIBs for selected platforms, Cisco IOS releases, and feature sets, use Cisco MIB Locator found at the following URL: http://www.cisco.com/go/mibs

Technical Assistance

Description	Link
<p>The Cisco Support website provides extensive online resources, including documentation and tools for troubleshooting and resolving technical issues with Cisco products and technologies.</p> <p>To receive security and technical information about your products, you can subscribe to various services, such as the Product Alert Tool (accessed from Field Notices), the Cisco Technical Services Newsletter, and Really Simple Syndication (RSS) Feeds.</p> <p>Access to most tools on the Cisco Support website requires a Cisco.com user ID and password.</p>	<p>http://www.cisco.com/support</p>



Configuring Local Authentication and Authorization

- [Finding Feature Information, page 117](#)
- [How to Configure Local Authentication and Authorization, page 117](#)
- [Monitoring Local Authentication and Authorization, page 120](#)
- [Additional References, page 120](#)

Finding Feature Information

Your software release may not support all the features documented in this module. For the latest caveats and feature information, see Bug Search Tool and the release notes for your platform and software release. To find information about the features documented in this module, and to see a list of the releases in which each feature is supported, see the feature information table at the end of this module.

Use Cisco Feature Navigator to find information about platform support and Cisco software image support. To access Cisco Feature Navigator, go to <http://www.cisco.com/go/cfn>. An account on Cisco.com is not required.

How to Configure Local Authentication and Authorization

Configuring the Switch for Local Authentication and Authorization

You can configure AAA to operate without a server by setting the switch to implement AAA in local mode. The switch then handles authentication and authorization. No accounting is available in this configuration.

**Note**

To secure the switch for HTTP access by using AAA methods, you must configure the switch with the **ip http authentication aaa** global configuration command. Configuring AAA authentication does not secure the switch for HTTP access by using AAA methods.

Follow these steps to configure AAA to operate without a server by setting the switch to implement AAA in local mode:

SUMMARY STEPS

1. **enable**
2. **configure terminal**
3. **aaa new-model**
4. **aaa authentication login default local**
5. **aaa authorization exec local**
6. **aaa authorization network local**
7. **username *name* [*privilege level*] {password *encryption-type password*}**
8. **end**
9. **show running-config**
10. **copy running-config startup-config**

DETAILED STEPS

	Command or Action	Purpose
Step 1	enable Example: Switch> enable	Enables privileged EXEC mode. Enter your password if prompted.
Step 2	configure terminal Example: Switch# configure terminal	Enters the global configuration mode.
Step 3	aaa new-model Example: Switch(config)# aaa new-model	Enables AAA.
Step 4	aaa authentication login default local Example: Switch(config)# aaa authentication login default local	Sets the login authentication to use the local username database. The default keyword applies the local user database authentication to all ports.

	Command or Action	Purpose
Step 5	<p>aaa authorization exec local</p> <p>Example:</p> <pre>Switch(config)# aaa authorization exec local</pre>	Configures user AAA authorization, check the local database, and allow the user to run an EXEC shell.
Step 6	<p>aaa authorization network local</p> <p>Example:</p> <pre>Switch(config)# aaa authorization network local</pre>	Configures user AAA authorization for all network-related service requests.
Step 7	<p>username name [privilege level] {password encryption-type password}</p> <p>Example:</p> <pre>Switch(config)# username your_user_name privilege 1 password 7 secret567</pre>	<p>Enters the local database, and establishes a username-based authentication system.</p> <p>Repeat this command for each user.</p> <ul style="list-style-type: none"> • For <i>name</i>, specify the user ID as one word. Spaces and quotation marks are not allowed. • (Optional) For <i>level</i>, specify the privilege level the user has after gaining access. The range is 0 to 15. Level 15 gives privileged EXEC mode access. Level 0 gives user EXEC mode access. • For <i>encryption-type</i>, enter 0 to specify that an unencrypted password follows. Enter 7 to specify that a hidden password follows. • For <i>password</i>, specify the password the user must enter to gain access to the switch. The password must be from 1 to 25 characters, can contain embedded spaces, and must be the last option specified in the username command.
Step 8	<p>end</p> <p>Example:</p> <pre>Switch(config)# end</pre>	Returns to privileged EXEC mode.
Step 9	<p>show running-config</p> <p>Example:</p> <pre>Switch# show running-config</pre>	Verifies your entries.

	Command or Action	Purpose
Step 10	copy running-config startup-config Example: Switch# <code>copy running-config startup-config</code>	(Optional) Saves your entries in the configuration file.

Related Topics

[SSH Servers, Integrated Clients, and Supported Versions](#), on page 125

[TACACS+ and Switch Access](#), on page 45

[RADIUS and Switch Access](#), on page 63

[Setting Up the Switch to Run SSH](#), on page 127

[SSH Configuration Guidelines](#), on page 125

Monitoring Local Authentication and Authorization

To display Local Authentication and Authorization configuration, use the **show running-config** privileged EXEC command.

Additional References

Error Message Decoder

Description	Link
To help you research and resolve system error messages in this release, use the Error Message Decoder tool.	https://www.cisco.com/cgi-bin/Support/Errordecoder/index.cgi

MIBs

MIB	MIBs Link
All supported MIBs for this release.	To locate and download MIBs for selected platforms, Cisco IOS releases, and feature sets, use Cisco MIB Locator found at the following URL: http://www.cisco.com/go/mibs

Technical Assistance

Description	Link
<p>The Cisco Support website provides extensive online resources, including documentation and tools for troubleshooting and resolving technical issues with Cisco products and technologies.</p> <p>To receive security and technical information about your products, you can subscribe to various services, such as the Product Alert Tool (accessed from Field Notices), the Cisco Technical Services Newsletter, and Really Simple Syndication (RSS) Feeds.</p> <p>Access to most tools on the Cisco Support website requires a Cisco.com user ID and password.</p>	<p>http://www.cisco.com/support</p>



Configuring Secure Shell (SSH)

- [Finding Feature Information, page 123](#)
- [Prerequisites for Configuring Secure Shell, page 123](#)
- [Restrictions for Configuring Secure Shell, page 124](#)
- [Information About Configuring Secure Shell , page 124](#)
- [How to Configure SSH, page 127](#)
- [Monitoring the SSH Configuration and Status, page 131](#)
- [Additional References for Configuring Secure Shell, page 131](#)

Finding Feature Information

Your software release may not support all the features documented in this module. For the latest caveats and feature information, see Bug Search Tool and the release notes for your platform and software release. To find information about the features documented in this module, and to see a list of the releases in which each feature is supported, see the feature information table at the end of this module.

Use Cisco Feature Navigator to find information about platform support and Cisco software image support. To access Cisco Feature Navigator, go to <http://www.cisco.com/go/cfn>. An account on Cisco.com is not required.

Prerequisites for Configuring Secure Shell

The following are the prerequisites for configuring the switch for secure shell (SSH):

- For SSH to work, the switch needs an Rivest, Shamir, and Adleman (RSA) public/private key pair. This is the same with Secure Copy Protocol (SCP), which relies on SSH for its secure transport.
- Before enabling SCP, you must correctly configure SSH, authentication, and authorization on the switch.
- Because SCP relies on SSH for its secure transport, the router must have an Rivest, Shamir, and Adelman (RSA) key pair.
- SCP relies on SSH for security.

- SCP requires that authentication, authorization, and accounting (AAA) authorization be configured so the router can determine whether the user has the correct privilege level.
- A user must have appropriate authorization to use SCP.
- A user who has appropriate authorization can use SCP to copy any file in the Cisco IOS File System (IFS) to and from a switch by using the **copy** command. An authorized administrator can also do this from a workstation.
- The Secure Shell (SSH) server requires an IPsec (Data Encryption Standard [DES] or 3DES) encryption software image; the SSH client requires an IPsec (DES or 3DES) encryption software image.)
- Configure a hostname and host domain for your device by using the **hostname** and **ip domain-name** commands in global configuration mode.

Related Topics

[Secure Copy Protocol, on page 126](#)

Restrictions for Configuring Secure Shell

The following are restrictions for configuring the Switch for secure shell.

- The switch supports Rivest, Shamir, and Adelman (RSA) authentication.
- SSH supports only the execution-shell application.
- The SSH server and the SSH client are supported only on Data Encryption Standard (DES) (56-bit) and 3DES (168-bit) data encryption software. In DES software images, DES is the only encryption algorithm available. In 3DES software images, both DES and 3DES encryption algorithms are available.
- The Switch supports the Advanced Encryption Standard (AES) encryption algorithm with a 128-bit key, 192-bit key, or 256-bit key. However, symmetric cipher AES to encrypt the keys is not supported.
- This software release does not support IP Security (IPSec).
- When using SCP, you cannot enter the password into the **copy** command. You must enter the password when prompted.
- The login banner is not supported in Secure Shell Version 1. It is supported in Secure Shell Version 2.
- The -l keyword and userid : {number} {ip-address} delimiter and arguments are mandatory when configuring the alternative method of Reverse SSH for console access.

Related Topics

[Secure Copy Protocol, on page 126](#)

Information About Configuring Secure Shell

Secure Shell (SSH) is a protocol that provides a secure, remote connection to a device. SSH provides more security for remote connections than Telnet does by providing strong encryption when a device is authenticated. This software release supports SSH Version 1 (SSHv1) and SSH Version 2 (SSHv2).

SSH and Switch Access

Secure Shell (SSH) is a protocol that provides a secure, remote connection to a device. SSH provides more security for remote connections than Telnet does by providing strong encryption when a device is authenticated. This software release supports SSH Version 1 (SSHv1) and SSH Version 2 (SSHv2).

SSH functions the same in IPv6 as in IPv4. For IPv6, SSH supports IPv6 addresses and enables secure, encrypted connections with remote IPv6 nodes over an IPv6 transport.

SSH Servers, Integrated Clients, and Supported Versions

The Secure Shell (SSH) Integrated Client feature is an application that runs over the SSH protocol to provide device authentication and encryption. The SSH client enables a Cisco device to make a secure, encrypted connection to another Cisco device or to any other device running the SSH server. This connection provides functionality similar to that of an outbound Telnet connection except that the connection is encrypted. With authentication and encryption, the SSH client allows for secure communication over an unsecured network.

The SSH server and SSH integrated client are applications that run on the switch. The SSH server works with the SSH client supported in this release and with non-Cisco SSH clients. The SSH client works with publicly and commercially available SSH servers. The SSH client supports the ciphers of Data Encryption Standard (DES), 3DES, and password authentication.

The switch supports an SSHv1 or an SSHv2 server.

The switch supports an SSHv1 client.

**Note**

The SSH client functionality is available only when the SSH server is enabled.

User authentication is performed like that in the Telnet session to the device. SSH also supports the following user authentication methods:

- TACACS+
- RADIUS
- Local authentication and authorization

Related Topics

[Configuring the Switch for Local Authentication and Authorization, on page 117](#)
[TACACS+ and Switch Access, on page 45](#)
[RADIUS and Switch Access, on page 63](#)

SSH Configuration Guidelines

Follow these guidelines when configuring the switch as an SSH server or SSH client:

- An RSA key pair generated by a SSHv1 server can be used by an SSHv2 server, and the reverse.
- If the SSH server is running on a stack master and the stack master fails, the new stack master uses the RSA key pair generated by the previous stack master.

- If you get CLI error messages after entering the **crypto key generate rsa** global configuration command, an RSA key pair has not been generated. Reconfigure the hostname and domain, and then enter the **crypto key generate rsa** command. For more information, see Related Topics below.
- When generating the RSA key pair, the message No host name specified might appear. If it does, you must configure a hostname by using the **hostname** global configuration command.
- When generating the RSA key pair, the message No domain specified might appear. If it does, you must configure an IP domain name by using the **ip domain-name** global configuration command.
- When configuring the local authentication and authorization authentication method, make sure that AAA is disabled on the console.

Related Topics

[Setting Up the Switch to Run SSH, on page 127](#)

[Configuring the Switch for Local Authentication and Authorization, on page 117](#)

Secure Copy Protocol Overview

The Secure Copy Protocol (SCP) feature provides a secure and authenticated method for copying switch configurations or switch image files. SCP relies on Secure Shell (SSH), an application and a protocol that provides a secure replacement for the Berkeley r-tools.

For SSH to work, the switch needs an RSA public/private key pair. This is the same with SCP, which relies on SSH for its secure transport.

Because SSH also relies on AAA authentication, and SCP relies further on AAA authorization, correct configuration is necessary.

- Before enabling SCP, you must correctly configure SSH, authentication, and authorization on the switch.
- Because SCP relies on SSH for its secure transport, the router must have an Rivest, Shamir, and Adelman (RSA) key pair.



Note

When using SCP, you cannot enter the password into the copy command. You must enter the password when prompted.

Secure Copy Protocol

The Secure Copy Protocol (SCP) feature provides a secure and authenticated method for copying switch configurations or switch image files. The behavior of SCP is similar to that of remote copy (rcp), which comes from the Berkeley r-tools suite, except that SCP relies on SSH for security. SCP also requires that authentication, authorization, and accounting (AAA) authorization be configured so the switch can determine whether the user has the correct privilege level. To configure the Secure Copy feature, you should understand the SCP concepts.

Related Topics

[Prerequisites for Configuring Secure Shell, on page 123](#)

[Restrictions for Configuring Secure Shell](#), on page 124

How to Configure SSH

Setting Up the Switch to Run SSH

Follow these steps to set up your Switch to run SSH:

Before You Begin

Configure user authentication for local or remote access. This step is required. For more information, see Related Topics below.

SUMMARY STEPS

1. **enable**
2. **configure terminal**
3. **hostname** *hostname*
4. **ip domain-name** *domain_name*
5. **crypto key generate rsa**
6. **end**
7. **show running-config**
8. **copy running-config startup-config**

DETAILED STEPS

	Command or Action	Purpose
Step 1	enable Example: Switch> enable	Enables privileged EXEC mode. Enter your password if prompted.
Step 2	configure terminal Example: Switch# configure terminal	Enters the global configuration mode.
Step 3	hostname <i>hostname</i> Example: Switch(config)# hostname your_hostname	Configures a hostname and IP domain name for your Switch. Note Follow this procedure only if you are configuring the Switch as an SSH server.

	Command or Action	Purpose
Step 4	ip domain-name <i>domain_name</i> Example: Switch(config)# ip domain-name your_domain	Configures a host domain for your Switch.
Step 5	crypto key generate rsa Example: Switch(config)# crypto key generate rsa	Enables the SSH server for local and remote authentication on the Switch and generates an RSA key pair. Generating an RSA key pair for the Switch automatically enables SSH. We recommend that a minimum modulus size of 1024 bits. When you generate RSA keys, you are prompted to enter a modulus length. A longer modulus length might be more secure, but it takes longer to generate and to use. Note Follow this procedure only if you are configuring the Switch as an SSH server.
Step 6	end Example: Switch(config)# end	Returns to privileged EXEC mode.
Step 7	show running-config Example: Switch# show running-config	Verifies your entries.
Step 8	copy running-config startup-config Example: Switch# copy running-config startup-config	(Optional) Saves your entries in the configuration file.

Related Topics

[SSH Configuration Guidelines](#), on page 125

[Configuring the Switch for Local Authentication and Authorization](#), on page 117

Configuring the SSH Server

Follow these steps to configure the SSH server:



Note This procedure is only required if you are configuring the Switch as an SSH server.

SUMMARY STEPS

1. **enable**
2. **configure terminal**
3. **ip ssh version [1 | 2]**
4. **ip ssh {timeout *seconds* | authentication-retries *number*}**
5. Use one or both of the following:
 - **line vtyline_number[ending_line_number]**
 - **transport input ssh**
6. **end**
7. **show running-config**
8. **copy running-config startup-config**

DETAILED STEPS

	Command or Action	Purpose
Step 1	enable Example: Switch> enable	Enables privileged EXEC mode. Enter your password if prompted.
Step 2	configure terminal Example: Switch# configure terminal	Enters the global configuration mode.
Step 3	ip ssh version [1 2] Example: Switch(config)# ip ssh version 1	(Optional) Configures the Switch to run SSH Version 1 or SSH Version 2. <ul style="list-style-type: none"> • 1—Configure the Switch to run SSH Version 1. • 2—Configure the Switch to run SSH Version 2. If you do not enter this command or do not specify a keyword, the SSH server selects the latest SSH version supported by the SSH client. For example, if the SSH client supports SSHv1 and SSHv2, the SSH server selects SSHv2.
Step 4	ip ssh {timeout <i>seconds</i> authentication-retries <i>number</i>}	Configures the SSH control parameters:

	Command or Action	Purpose
	<p>Example:</p> <pre>Switch(config)# ip ssh timeout 90 authentication-retries 2</pre>	<ul style="list-style-type: none"> Specify the time-out value in seconds; the default is 120 seconds. The range is 0 to 120 seconds. This parameter applies to the SSH negotiation phase. After the connection is established, the Switch uses the default time-out values of the CLI-based sessions. <p>By default, up to five simultaneous, encrypted SSH connections for multiple CLI-based sessions over the network are available (session 0 to session 4). After the execution shell starts, the CLI-based session time-out value returns to the default of 10 minutes.</p> <ul style="list-style-type: none"> Specify the number of times that a client can re-authenticate to the server. The default is 3; the range is 0 to 5. <p>Repeat this step when configuring both parameters.</p>
Step 5	<p>Use one or both of the following:</p> <ul style="list-style-type: none"> line <code>vtline_number[ending_line_number]</code> transport input ssh <p>Example:</p> <pre>Switch(config)# line vty 1 10</pre> <p>or</p> <pre>Switch(config-line)# transport input ssh</pre>	<p>(Optional) Configures the virtual terminal line settings.</p> <ul style="list-style-type: none"> Enters line configuration mode to configure the virtual terminal line settings. For <i>line_number</i> and <i>ending_line_number</i>, specify a pair of lines. The range is 0 to 15. Specifies that the Switch prevent non-SSH Telnet connections. This limits the router to only SSH connections.
Step 6	<p>end</p> <p>Example:</p> <pre>Switch(config-line)# end</pre>	<p>Returns to privileged EXEC mode.</p>
Step 7	<p>show running-config</p> <p>Example:</p> <pre>Switch# show running-config</pre>	<p>Verifies your entries.</p>
Step 8	<p>copy running-config startup-config</p> <p>Example:</p> <pre>Switch# copy running-config startup-config</pre>	<p>(Optional) Saves your entries in the configuration file.</p>

Monitoring the SSH Configuration and Status

This table displays the SSH server configuration and status.

Table 16: Commands for Displaying the SSH Server Configuration and Status

Command	Purpose
<code>show ip ssh</code>	Shows the version and configuration information for the SSH server.
<code>show ssh</code>	Shows the status of the SSH server.

Additional References for Configuring Secure Shell

Related Documents

Related Topic	Document Title
Configuring Identity Control policies and Identity Service templates for Session Aware networking.	Session Aware Networking Configuration Guide, Cisco IOS XE Release 3SE (Catalyst 3850 Switches)
Configuring RADIUS, TACACS+, Secure Shell, 802.1X and AAA.	Securing User Services Configuration Guide Library, Cisco IOS XE Release 3SE (Catalyst 3850 Switches)

Error Message Decoder

Description	Link
To help you research and resolve system error messages in this release, use the Error Message Decoder tool.	https://www.cisco.com/cgi-bin/Support/Errordecoder/index.cgi

Standards and RFCs

Standard/RFC	Title
None	

MIBs

MIB	MIBs Link
All supported MIBs for this release.	To locate and download MIBs for selected platforms, Cisco IOS releases, and feature sets, use Cisco MIB Locator found at the following URL: http://www.cisco.com/go/mibs

Technical Assistance

Description	Link
<p>The Cisco Support website provides extensive online resources, including documentation and tools for troubleshooting and resolving technical issues with Cisco products and technologies.</p> <p>To receive security and technical information about your products, you can subscribe to various services, such as the Product Alert Tool (accessed from Field Notices), the Cisco Technical Services Newsletter, and Really Simple Syndication (RSS) Feeds.</p> <p>Access to most tools on the Cisco Support website requires a Cisco.com user ID and password.</p>	http://www.cisco.com/support



Configuring Secure Socket Layer HTTP

- [Finding Feature Information, page 133](#)
- [Information about Secure Sockets Layer \(SSL\) HTTP, page 133](#)
- [How to Configure Secure HTTP Servers and Clients, page 137](#)
- [Monitoring Secure HTTP Server and Client Status, page 144](#)
- [Additional References for Configuring Secure Shell, page 145](#)

Finding Feature Information

Your software release may not support all the features documented in this module. For the latest caveats and feature information, see Bug Search Tool and the release notes for your platform and software release. To find information about the features documented in this module, and to see a list of the releases in which each feature is supported, see the feature information table at the end of this module.

Use Cisco Feature Navigator to find information about platform support and Cisco software image support. To access Cisco Feature Navigator, go to <http://www.cisco.com/go/cfn>. An account on Cisco.com is not required.

Information about Secure Sockets Layer (SSL) HTTP

Secure HTTP Servers and Clients Overview

On a secure HTTP connection, data to and from an HTTP server is encrypted before being sent over the Internet. HTTP with SSL encryption provides a secure connection to allow such functions as configuring a switch from a Web browser. Cisco's implementation of the secure HTTP server and secure HTTP client uses an implementation of SSL Version 3.0 with application-layer encryption. HTTP over SSL is abbreviated as HTTPS; the URL of a secure connection begins with `https://` instead of `http://`.



Note

SSL evolved into Transport Layer Security (TLS) in 1999, but is still used in this particular context.

The primary role of the HTTP secure server (the switch) is to listen for HTTPS requests on a designated port (the default HTTPS port is 443) and pass the request to the HTTP 1.1 Web server. The HTTP 1.1 server processes requests and passes responses (pages) back to the HTTP secure server, which, in turn, responds to the original request.

The primary role of the HTTP secure client (the web browser) is to respond to Cisco IOS application requests for HTTPS User Agent services, perform HTTPS User Agent services for the application, and pass the response back to the application.

**Note**

Beginning with Cisco IOS XE Denali 16.3.1, support for attaching IPv6 ACL to the HTTP server has been enabled. Prior to Cisco IOS XE Denali 16.3.1, only IPv4 ACL support was available for configuring the secure HTTP server. You can attach the preconfigured IPv6 and IPv4 ACLs to the HTTP server using the configuration CLI for the secure HTTP server.

Certificate Authority Trustpoints

Certificate authorities (CAs) manage certificate requests and issue certificates to participating network devices. These services provide centralized security key and certificate management for the participating devices. Specific CA servers are referred to as *trustpoints*.

When a connection attempt is made, the HTTPS server provides a secure connection by issuing a certified X.509v3 certificate, obtained from a specified CA trustpoint, to the client. The client (usually a Web browser), in turn, has a public key that allows it to authenticate the certificate.

For secure HTTP connections, we highly recommend that you configure a CA trustpoint. If a CA trustpoint is not configured for the device running the HTTPS server, the server certifies itself and generates the needed RSA key pair. Because a self-certified (self-signed) certificate does not provide adequate security, the connecting client generates a notification that the certificate is self-certified, and the user has the opportunity to accept or reject the connection. This option is useful for internal network topologies (such as testing).

If you do not configure a CA trustpoint, when you enable a secure HTTP connection, either a temporary or a persistent self-signed certificate for the secure HTTP server (or client) is automatically generated.

- If the switch is not configured with a hostname and a domain name, a temporary self-signed certificate is generated. If the switch reboots, any temporary self-signed certificate is lost, and a new temporary new self-signed certificate is assigned.
- If the switch has been configured with a host and domain name, a persistent self-signed certificate is generated. This certificate remains active if you reboot the switch or if you disable the secure HTTP server so that it will be there the next time you re-enable a secure HTTP connection.

**Note**

The certificate authorities and trustpoints must be configured on each device individually. Copying them from other devices makes them invalid on the switch.

When a new certificate is enrolled, the new configuration change is not applied to the HTTPS server until the server is restarted. You can restart the server using either the CLI or by physical reboot. On restarting the server, the switch starts using the new certificate.

If a self-signed certificate has been generated, this information is included in the output of the **show running-config** privileged EXEC command. This is a partial sample output from that command displaying a self-signed certificate.

```
Switch# show running-config
Building configuration...

<output truncated>

crypto pki trustpoint TP-self-signed-3080755072
  enrollment selfsigned
  subject-name cn=IOS-Self-Signed-Certificate-3080755072
  revocation-check none
  rsakeypair TP-self-signed-3080755072
!
!
crypto ca certificate chain TP-self-signed-3080755072
certificate self-signed 01
  3082029F 30820208 A0030201 02020101 300D0609 2A864886 F70D0101 04050030
  59312F30 2D060355 04031326 494F532D 53656C66 2D536967 6E65642D 43657274
  69666963 6174652D 33303830 37353530 37323126 30240609 2A864886 F70D0109
  02161743 45322D33 3535302D 31332E73 756D6D30 342D3335 3530301E 170D3933
  30333031 30303030 35395A17 0D323030 31303130 30303030 305A3059 312F302D
```

<output truncated>

You can remove this self-signed certificate by disabling the secure HTTP server and entering the **no crypto pki trustpoint TP-self-signed-30890755072** global configuration command. If you later re-enable a secure HTTP server, a new self-signed certificate is generated.



Note

The values that follow *TP self-signed* depend on the serial number of the device.

You can use an optional command (**ip http secure-client-auth**) to allow the HTTPS server to request an X.509v3 certificate from the client. Authenticating the client provides more security than server authentication by itself.

For additional information on Certificate Authorities, see the “Configuring Certification Authority Interoperability” chapter in the *Cisco IOS Security Configuration Guide, Release 12.4*.

CipherSuites

A CipherSuite specifies the encryption algorithm and the digest algorithm to use on a SSL connection. When connecting to the HTTPS server, the client Web browser offers a list of supported CipherSuites, and the client and server negotiate the best encryption algorithm to use from those on the list that are supported by both. For example, Netscape Communicator 4.76 supports U.S. security with RSA Public Key Cryptography, MD2, MD5, RC2-CBC, RC4, DES-CBC, and DES-EDE3-CBC.

For the best possible encryption, you should use a client browser that supports 128-bit encryption, such as Microsoft Internet Explorer Version 5.5 (or later) or Netscape Communicator Version 4.76 (or later). The `SSL_RSA_WITH_DES_CBC_SHA` CipherSuite provides less security than the other CipherSuites, as it does not offer 128-bit encryption.

The more secure and more complex CipherSuites require slightly more processing time. This list defines the CipherSuites supported by the switch and ranks them from fastest to slowest in terms of router processing load (speed):

- 1 `SSL_RSA_WITH_DES_CBC_SHA`—RSA key exchange (RSA Public Key Cryptography) with DES-CBC for message encryption and SHA for message digest

- 2 SSL_RSA_WITH_NULL_SHA key exchange with NULL for message encryption and SHA for message digest (only for SSL 3.0).
- 3 SSL_RSA_WITH_NULL_MD5 key exchange with NULL for message encryption and MD5 for message digest (only for SSL 3.0).
- 4 SSL_RSA_WITH_RC4_128_MD5—RSA key exchange with RC4 128-bit encryption and MD5 for message digest
- 5 SSL_RSA_WITH_RC4_128_SHA—RSA key exchange with RC4 128-bit encryption and SHA for message digest
- 6 SSL_RSA_WITH_3DES_EDE_CBC_SHA—RSA key exchange with 3DES and DES-EDE3-CBC for message encryption and SHA for message digest
- 7 SSL_RSA_WITH_AES_128_CBC_SHA—RSA key exchange with AES 128-bit encryption and SHA for message digest (only for SSL 3.0).
- 8 SSL_RSA_WITH_AES_256_CBC_SHA—RSA key exchange with AES 256-bit encryption and SHA for message digest (only for SSL 3.0).
- 9 SSL_RSA_WITH_DHE_AES_128_CBC_SHA—RSA key exchange with AES 128-bit encryption and SHA for message digest (only for SSL 3.0).
- 10 SSL_RSA_WITH_DHE_AES_256_CBC_SHA—RSA key exchange with AES 256-bit encryption and SHA for message digest (only for SSL 3.0).

**Note**

The latest versions of Chrome do not support the four original cipher suites, thus disallowing access to both web GUI and guest portals.

RSA (in conjunction with the specified encryption and digest algorithm combinations) is used for both key generation and authentication on SSL connections. This usage is independent of whether or not a CA trustpoint is configured.

Default SSL Configuration

The standard HTTP server is enabled.

SSL is enabled.

No CA trustpoints are configured.

No self-signed certificates are generated.

SSL Configuration Guidelines

When SSL is used in a switch cluster, the SSL session terminates at the cluster commander. Cluster member switches must run standard HTTP.

Before you configure a CA trustpoint, you should ensure that the system clock is set. If the clock is not set, the certificate is rejected due to an incorrect date.

In a switch stack, the SSL session terminates at the stack master.

How to Configure Secure HTTP Servers and Clients

Configuring a CA Trustpoint

For secure HTTP connections, we recommend that you configure an official CA trustpoint. A CA trustpoint is more secure than a self-signed certificate.

Beginning in privileged EXEC mode, follow these steps to configure a CA Trustpoint:

SUMMARY STEPS

1. **configure terminal**
2. **hostname** *hostname*
3. **ip domain-name** *domain-name*
4. **crypto key generate rsa**
5. **crypto ca trustpoint** *name*
6. **enrollment url** *url*
7. **enrollment http-proxy** *host-name port-number*
8. **crl query** *url*
9. **primary** *name*
10. **exit**
11. **crypto ca authentication** *name*
12. **crypto ca enroll** *name*
13. **end**

DETAILED STEPS

	Command or Action	Purpose
Step 1	configure terminal Example: Switch# configure terminal	Enters the global configuration mode.
Step 2	hostname <i>hostname</i> Example: Switch(config)# hostname your_hostname	Specifies the hostname of the switch (required only if you have not previously configured a hostname). The hostname is required for security keys and certificates.
Step 3	ip domain-name <i>domain-name</i> Example: Switch(config)# ip domain-name your_domain	Specifies the IP domain name of the switch (required only if you have not previously configured an IP domain name). The domain name is required for security keys and certificates.

	Command or Action	Purpose
Step 4	crypto key generate rsa Example: Switch(config)# crypto key generate rsa	(Optional) Generates an RSA key pair. RSA key pairs are required before you can obtain a certificate for the switch. RSA key pairs are generated automatically. You can use this command to regenerate the keys, if needed.
Step 5	crypto ca trustpoint name Example: Switch(config)# crypto ca trustpoint your_trustpoint	Specifies a local configuration name for the CA trustpoint and enter CA trustpoint configuration mode.
Step 6	enrollment url url Example: Switch(ca-trustpoint)# enrollment url http://your_server:80	Specifies the URL to which the switch should send certificate requests.
Step 7	enrollment http-proxy host-name port-number Example: Switch(ca-trustpoint)# enrollment http-proxy your_host 49	(Optional) Configures the switch to obtain certificates from the CA through an HTTP proxy server. <ul style="list-style-type: none"> • For <i>host-name</i>, specify the proxy server used to get the CA. • For <i>port-number</i>, specify the port number used to access the CA.
Step 8	crl query url Example: Switch(ca-trustpoint)# crl query ldap://your_host:49	Configures the switch to request a certificate revocation list (CRL) to ensure that the certificate of the peer has not been revoked.
Step 9	primary name Example: Switch(ca-trustpoint)# primary your_trustpoint	(Optional) Specifies that the trustpoint should be used as the primary (default) trustpoint for CA requests. <ul style="list-style-type: none"> • For <i>name</i>, specify the trustpoint that you just configured.
Step 10	exit Example: Switch(ca-trustpoint)# exit	Exits CA trustpoint configuration mode and return to global configuration mode.

	Command or Action	Purpose
Step 11	crypto ca authentication <i>name</i> Example: <pre>Switch(config)# crypto ca authentication your_trustpoint</pre>	Authenticates the CA by getting the public key of the CA. Use the same name used in Step 5.
Step 12	crypto ca enroll <i>name</i> Example: <pre>Switch(config)# crypto ca enroll your_trustpoint</pre>	Obtains the certificate from the specified CA trustpoint. This command requests a signed certificate for each RSA key pair.
Step 13	end Example: <pre>Switch(config)# end</pre>	Returns to privileged EXEC mode.

Configuring the Secure HTTP Server

Beginning in privileged EXEC mode, follow these steps to configure a secure HTTP server:

Before You Begin

If you are using a certificate authority for certification, you should use the previous procedure to configure the CA trustpoint on the switch before enabling the HTTP server. If you have not configured a CA trustpoint, a self-signed certificate is generated the first time that you enable the secure HTTP server. After you have configured the server, you can configure options (path, access list to apply, maximum number of connections, or timeout policy) that apply to both standard and secure HTTP servers.

To verify the secure HTTP connection by using a Web browser, enter `https://URL`, where the URL is the IP address or hostname of the server switch. If you configure a port other than the default port, you must also specify the port number after the URL. For example:



Note

AES256_SHA2 is not supported.

```
https://209.165.129:1026
```

or

```
https://host.domain.com:1026
```

The existing **ip http access-class** *access-list-number* command for specifying the access-list(Only IPv4 ACLs) is going to be deprecated. You can still use this command to specify an access list to allow access to the HTTP server. Two new commands have been introduced to enable support for specifying IPv4 and IPv6 ACLs.

These are **ip http access-class ipv4** *access-list-name* | *access-list-number* for specifying IPv4 ACLs and **ip http access-class ipv6** *access-list-name* for specifying IPv6 ACLs. We recommend using the new CLI to avoid receiving warning messages.

Note the following considerations for specifying access-lists:

- If you specify an access-list that does not exist, the configuration takes place but you receive the below warning message:

```
ACL being attached does not exist, please configure it
```

- If you use the **ip http access-class** command for specifying an access-list for the HTTP server, the below warning message appears:

```
This CLI will be deprecated soon, Please use new CLI ip http
access-class ipv4/ipv6 <access-list-name>| <access-list-number>
```

- If you use **ip http access-class ipv4** *access-list-name* | *access-list-number* or **ip http access-class ipv6** *access-list-name*, and an access-list was already configured using **ip http access-class**, the below warning message appears:

```
Removing ip http access-class <access-list-number>
```

ip http access-class *access-list-number* and **ip http access-class ipv4** *access-list-name* | *access-list-number* share the same functionality. Each command overrides the configuration of the previous command. The following combinations between the configuration of the two commands explain the effect on the running configuration:

- If **ip http access-class** *access-list-number* is already configured and you try to configure using **ip http access-class ipv4** *access-list-number* command, the configuration of **ip http access-class** *access-list-number* will be removed and the configuration of **ip http access-class ipv4** *access-list-number* will be added to the running configuration.
- If **ip http access-class** *access-list-number* is already configured and you try to configure using **ip http access-class ipv4** *access-list-name* command, the configuration of **ip http access-class** *access-list-number* will be removed and the configuration of **ip http access-class ipv4** *access-list-name* will be added to the running configuration.
- If **ip http access-class ipv4** *access-list-number* is already configured and you try to configure using **ip http access-class** *access-list-name*, the configuration of **ip http access-class ipv4** *access-list-number* will be removed from configuration and the configuration of **ip http access-class** *access-list-name* will be added to the running configuration.
- If **ip http access-class ipv4** *access-list-name* is already configured and you try to configure using **ip http access-class** *access-list-number*, the configuration of **ip http access-class ipv4** *access-list-name* will be removed from the configuration and the configuration of **ip http access-class** *access-list-number* will be added to the running configuration.

SUMMARY STEPS

1. **show ip http server status**
2. **configure terminal**
3. **ip http secure-server**
4. **ip http secure-port** *port-number*
5. **ip http secure-ciphersuite** {[3des-ede-cbc-sha] [rc4-128-md5] [rc4-128-sha] [des-cbc-sha]}
6. **ip http secure-client-auth**
7. **ip http secure-trustpoint** *name*
8. **ip http path** *path-name*
9. **ip http access-class** *access-list-number*
10. **ip http access-class** { **ipv4** {*access-list-number* | *access-list-name*} | **ipv6** {*access-list-name*} }
11. **ip http max-connections** *value*
12. **ip http timeout-policy idle** *seconds* **life** *seconds* **requests** *value*
13. **end**

DETAILED STEPS

	Command or Action	Purpose
Step 1	show ip http server status Example: Switch# show ip http server status	(Optional) Displays the status of the HTTP server to determine if the secure HTTP server feature is supported in the software. You should see one of these lines in the output: HTTP secure server capability: Present or HTTP secure server capability: Not present
Step 2	configure terminal Example: Switch# configure terminal	Enters global configuration mode.
Step 3	ip http secure-server Example: Switch(config)# ip http secure-server	Enables the HTTPS server if it has been disabled. The HTTPS server is enabled by default.
Step 4	ip http secure-port <i>port-number</i> Example: Switch(config)# ip http secure-port 443	(Optional) Specifies the port number to be used for the HTTPS server. The default port number is 443. Valid options are 443 or any number in the range 1025 to 65535.

	Command or Action	Purpose
Step 5	<p>ip http secure-ciphersuite {[3des-ede-cbc-sha] [rc4-128-md5] [rc4-128-sha] [des-cbc-sha]}</p> <p>Example:</p> <pre>Switch(config)# ip http secure-ciphersuite rc4-128-md5</pre>	(Optional) Specifies the CipherSuites (encryption algorithms) to be used for encryption over the HTTPS connection. If you do not have a reason to specify a particular CipherSuite, you should allow the server and client to negotiate a CipherSuite that they both support. This is the default.
Step 6	<p>ip http secure-client-auth</p> <p>Example:</p> <pre>Switch(config)# ip http secure-client-auth</pre>	(Optional) Configures the HTTP server to request an X.509v3 certificate from the client for authentication during the connection process. The default is for the client to request a certificate from the server, but the server does not attempt to authenticate the client.
Step 7	<p>ip http secure-trustpoint <i>name</i></p> <p>Example:</p> <pre>Switch(config)# ip http secure-trustpoint your_trustpoint</pre>	<p>Specifies the CA trustpoint to use to get an X.509v3 security certificate and to authenticate the client certificate connection.</p> <p>Note Use of this command assumes you have already configured a CA trustpoint according to the previous procedure.</p>
Step 8	<p>ip http path <i>path-name</i></p> <p>Example:</p> <pre>Switch(config)# ip http path /your_server:80</pre>	(Optional) Sets a base HTTP path for HTML files. The path specifies the location of the HTTP server files on the local system (usually located in system flash memory).
Step 9	<p>ip http access-class <i>access-list-number</i></p> <p>Example:</p> <pre>Switch(config)# ip http access-class 2</pre>	(Optional) Specifies an access list to use to allow access to the HTTP server.
Step 10	<p>ip http access-class { ipv4 {<i>access-list-number</i> <i>access-list-name</i>} ipv6 {<i>access-list-name</i>} }</p> <p>Example:</p> <pre>Switch(config)# ip http access-class ipv4 4</pre>	(Optional) Specifies an access list to use to allow access to the HTTP server.
Step 11	<p>ip http max-connections <i>value</i></p> <p>Example:</p> <pre>Switch(config)# ip http max-connections 4</pre>	(Optional) Sets the maximum number of concurrent connections that are allowed to the HTTP server. We recommend that the value be at least 10 and not less. This is required for the UI to function as expected.

	Command or Action	Purpose
Step 12	<p>ip http timeout-policy idle <i>seconds</i> life <i>seconds</i> requests <i>value</i></p> <p>Example:</p> <pre>Switch(config)# ip http timeout-policy idle 120 life 240 requests 1</pre>	<p>(Optional) Specifies how long a connection to the HTTP server can remain open under the defined circumstances:</p> <ul style="list-style-type: none"> • idle—the maximum time period when no data is received or response data cannot be sent. The range is 1 to 600 seconds. The default is 180 seconds (3 minutes). • life—the maximum time period from the time that the connection is established. The range is 1 to 86400 seconds (24 hours). The default is 180 seconds. • requests—the maximum number of requests processed on a persistent connection. The maximum value is 86400. The default is 1.
Step 13	<p>end</p> <p>Example:</p> <pre>Switch(config)# end</pre>	Returns to privileged EXEC mode.

Configuring the Secure HTTP Client

Beginning in privileged EXEC mode, follow these steps to configure a secure HTTP client:

Before You Begin

The standard HTTP client and secure HTTP client are always enabled. A certificate authority is required for secure HTTP client certification. This procedure assumes that you have previously configured a CA trustpoint on the switch. If a CA trustpoint is not configured and the remote HTTPS server requires client authentication, connections to the secure HTTP client fail.

SUMMARY STEPS

1. **configure terminal**
2. **ip http client secure-trustpoint *name***
3. **ip http client secure-ciphersuite {[3des-ede-cbc-sha] [rc4-128-md5] [rc4-128-sha] [des-cbc-sha]}**
4. **end**

DETAILED STEPS

	Command or Action	Purpose
Step 1	configure terminal Example: Switch# configure terminal	Enters the global configuration mode.
Step 2	ip http client secure-trustpoint <i>name</i> Example: Switch(config)# ip http client secure-trustpoint your_trustpoint	(Optional) Specifies the CA trustpoint to be used if the remote HTTP server requests client authentication. Using this command assumes that you have already configured a CA trustpoint by using the previous procedure. The command is optional if client authentication is not needed or if a primary trustpoint has been configured.
Step 3	ip http client secure-ciphersuite {[3des-ede-cbc-sha] [rc4-128-md5] [rc4-128-sha] [des-cbc-sha]} Example: Switch(config)# ip http client secure-ciphersuite rc4-128-md5	(Optional) Specifies the CipherSuites (encryption algorithms) to be used for encryption over the HTTPS connection. If you do not have a reason to specify a particular CipherSuite, you should allow the server and client to negotiate a CipherSuite that they both support. This is the default.
Step 4	end Example: Switch(config)# end	Returns to privileged EXEC mode.

Monitoring Secure HTTP Server and Client Status

To monitor the SSL secure server and client status, use the privileged EXEC commands in the following table.

Table 17: Commands for Displaying the SSL Secure Server and Client Status

Command	Purpose
show ip http client secure status	Shows the HTTP secure client configuration.
show ip http server secure status	Shows the HTTP secure server configuration.
show running-config	Shows the generated self-signed certificate for secure HTTP connections.

Additional References for Configuring Secure Shell

Related Documents

Related Topic	Document Title
Configuring Identity Control policies and Identity Service templates for Session Aware networking.	Session Aware Networking Configuration Guide, Cisco IOS XE Release 3SE (Catalyst 3850 Switches)
Configuring RADIUS, TACACS+, Secure Shell, 802.1X and AAA.	Securing User Services Configuration Guide Library, Cisco IOS XE Release 3SE (Catalyst 3850 Switches)

Error Message Decoder

Description	Link
To help you research and resolve system error messages in this release, use the Error Message Decoder tool.	https://www.cisco.com/cgi-bin/Support/Errordecoder/index.cgi

Standards and RFCs

Standard/RFC	Title
None	

MIBs

MIB	MIBs Link
All supported MIBs for this release.	To locate and download MIBs for selected platforms, Cisco IOS releases, and feature sets, use Cisco MIB Locator found at the following URL: http://www.cisco.com/go/mibs

Technical Assistance

Description	Link
<p>The Cisco Support website provides extensive online resources, including documentation and tools for troubleshooting and resolving technical issues with Cisco products and technologies.</p> <p>To receive security and technical information about your products, you can subscribe to various services, such as the Product Alert Tool (accessed from Field Notices), the Cisco Technical Services Newsletter, and Really Simple Syndication (RSS) Feeds.</p> <p>Access to most tools on the Cisco Support website requires a Cisco.com user ID and password.</p>	<p>http://www.cisco.com/support</p>



Configuring IPv4 ACLs

- [Finding Feature Information, page 147](#)
- [Prerequisites for Configuring IPv4 Access Control Lists, page 147](#)
- [Restrictions for Configuring IPv4 Access Control Lists, page 148](#)
- [Information about Network Security with ACLs, page 149](#)
- [How to Configure ACLs, page 162](#)
- [Monitoring IPv4 ACLs, page 187](#)
- [Configuration Examples for ACLs, page 188](#)
- [Additional References, page 201](#)
- [Feature Information for IPv4 Access Control Lists, page 202](#)

Finding Feature Information

Your software release may not support all the features documented in this module. For the latest caveats and feature information, see Bug Search Tool and the release notes for your platform and software release. To find information about the features documented in this module, and to see a list of the releases in which each feature is supported, see the feature information table at the end of this module.

Use Cisco Feature Navigator to find information about platform support and Cisco software image support. To access Cisco Feature Navigator, go to <http://www.cisco.com/go/cfn>. An account on Cisco.com is not required.

Prerequisites for Configuring IPv4 Access Control Lists

This section lists the prerequisites for configuring network security with access control lists (ACLs).

- On switches running the LAN base feature set, VLAN maps are not supported.

Restrictions for Configuring IPv4 Access Control Lists

General Network Security

The following are restrictions for configuring network security with ACLs:

- Not all commands that accept a numbered ACL accept a named ACL. ACLs for packet filters and route filters on interfaces can use a name. VLAN maps also accept a name.
- A standard ACL and an extended ACL cannot have the same name.
- Though visible in the command-line help strings, **appletalk** is not supported as a matching condition for the **deny** and **permit** MAC access-list configuration mode commands.
- ACL wildcard is not supported in downstream client policy.

IPv4 ACL Network Interfaces

The following restrictions apply to IPv4 ACLs to network interfaces:

- When controlling access to an interface, you can use a named or numbered ACL.
- If you apply an ACL to a Layer 2 interface that is a member of a VLAN, the Layer 2 (port) ACL takes precedence over an input Layer 3 ACL applied to the VLAN interface or a VLAN map applied to the VLAN.
- If you apply an ACL to a Layer 3 interface and routing is not enabled on the switch, the ACL only filters packets that are intended for the CPU, such as SNMP, Telnet, or web traffic.
- You do not have to enable routing to apply ACLs to Layer 2 interfaces.



Note

By default, the router sends Internet Control Message Protocol (ICMP) unreachable messages when a packet is denied by an access group on a Layer 3 interface. These access-group denied packets are not dropped in hardware but are bridged to the switch CPU so that it can generate the ICMP-unreachable message. They do not generate ICMP unreachable messages. ICMP unreachable messages can be disabled on router ACLs with the **no ip unreachable** interface command.

MAC ACLs on a Layer 2 Interface

After you create a MAC ACL, you can apply it to a Layer 2 interface to filter non-IP traffic coming in that interface. When you apply the MAC ACL, consider these guidelines:

- You can apply no more than one IP access list and one MAC access list to the same Layer 2 interface. The IP access list filters only IP packets, and the MAC access list filters non-IP packets.
- A Layer 2 interface can have only one MAC access list. If you apply a MAC access list to a Layer 2 interface that has a MAC ACL configured, the new ACL replaces the previously configured one.

**Note**

The **mac access-group** interface configuration command is only valid when applied to a physical Layer 2 interface. You cannot use the command on EtherChannel port channels.

IP Access List Entry Sequence Numbering

- This feature does not support dynamic, reflexive, or firewall access lists.

Related Topics

[Applying an IPv4 ACL to an Interface, on page 175](#)

[IPv4 ACL Interface Considerations, on page 162](#)

[Creating Named MAC Extended ACLs, on page 176](#)

[Applying a MAC ACL to a Layer 2 Interface, on page 178](#)

Information about Network Security with ACLs

This chapter describes how to configure network security on the switch by using access control lists (ACLs), which in commands and tables are also referred to as access lists.

Cisco TrustSec and ACLs

Catalyst 3850 switches running the IP base or IP services feature set also support Cisco TrustSec Security Group Tag (SCT) Exchange Protocol (SXP). This feature supports security group access control lists (SGACLs), which define ACL policies for a group of devices instead of an IP address. The SXP control protocol allows tagging packets with SCTs without a hardware upgrade, and runs between access layer devices at the Cisco TrustSec domain edge and distribution layer devices within the Cisco TrustSec domain. Catalyst 3850 switches operate as access layer switches in the Cisco TrustSec network.

The sections on SXP define the capabilities supported on the Catalyst 3850 switches.

ACL Overview

Packet filtering can help limit network traffic and restrict network use by certain users or devices. ACLs filter traffic as it passes through a router or switch and permit or deny packets crossing specified interfaces or VLANs. An ACL is a sequential collection of permit and deny conditions that apply to packets. When a packet is received on an interface, the switch compares the fields in the packet against any applied ACLs to verify that the packet has the required permissions to be forwarded, based on the criteria specified in the access lists. One by one, it tests packets against the conditions in an access list. The first match decides whether the switch accepts or rejects the packets. Because the switch stops testing after the first match, the order of conditions in the list is critical. If no conditions match, the switch rejects the packet. If there are no restrictions, the switch forwards the packet; otherwise, the switch drops the packet. The switch can use ACLs on all packets it forwards, including packets bridged within a VLAN.

You configure access lists on a router or Layer 3 switch to provide basic security for your network. If you do not configure ACLs, all packets passing through the switch could be allowed onto all parts of the network. You can use ACLs to control which hosts can access different parts of a network or to decide which types of

traffic are forwarded or blocked at router interfaces. For example, you can allow e-mail traffic to be forwarded but not Telnet traffic. ACLs can be configured to block inbound traffic, outbound traffic, or both.

Access Control Entries

An ACL contains an ordered list of access control entries (ACEs). Each ACE specifies *permit* or *deny* and a set of conditions the packet must satisfy in order to match the ACE. The meaning of *permit* or *deny* depends on the context in which the ACL is used.

ACL Supported Types

The switch supports IP ACLs and Ethernet (MAC) ACLs:

- IP ACLs filter IPv4 traffic, including TCP, User Datagram Protocol (UDP), Internet Group Management Protocol (IGMP), and Internet Control Message Protocol (ICMP).
- Ethernet ACLs filter non-IP traffic.

This switch also supports quality of service (QoS) classification ACLs.

Supported ACLs

The switch supports three types of ACLs to filter traffic:

- Port ACLs access-control traffic entering a Layer 2 interface. You can apply only one IP access list and one MAC access list to a Layer 2 interface.
- Router ACLs access-control routed traffic between VLANs and are applied to Layer 3 interfaces in a specific direction (inbound or outbound).
- VLAN ACLs or VLAN maps access-control all packets (bridged and routed). You can use VLAN maps to filter traffic between devices in the same VLAN. VLAN maps are configured to provide access control based on Layer 3 addresses for IPv4. Unsupported protocols are access-controlled through MAC addresses using Ethernet ACEs. After a VLAN map is applied to a VLAN, all packets (routed or bridged) entering the VLAN are checked against the VLAN map. Packets can either enter the VLAN through a switch port or through a routed port after being routed.

ACL Precedence

When VLAN maps, Port ACLs, and router ACLs are configured on the same switch, the filtering precedence, from greatest to least for ingress traffic is port ACL, VLAN map, and then router ACL. For egress traffic, the filtering precedence is router ACL, VLAN map, and then port ACL.

The following examples describe simple use cases:

- When both an input port ACL and a VLAN map are applied, incoming packets received on ports with a port ACL applied are filtered by the port ACL. Other packets are filtered by the VLAN map
- When an input router ACL and input port ACL exist in a switch virtual interface (SVI), incoming packets received on ports to which a port ACL is applied are filtered by the port ACL. Incoming routed IP packets received on other ports are filtered by the router ACL. Other packets are not filtered.

- When an output router ACL and input port ACL exist in an SVI, incoming packets received on the ports to which a port ACL is applied are filtered by the port ACL. Outgoing routed IP packets are filtered by the router ACL. Other packets are not filtered.
- When a VLAN map, input router ACL, and input port ACL exist in an SVI, incoming packets received on the ports to which a port ACL is applied are only filtered by the port ACL. Incoming routed IP packets received on other ports are filtered by both the VLAN map and the router ACL. Other packets are filtered only by the VLAN map.
- When a VLAN map, output router ACL, and input port ACL exist in an SVI, incoming packets received on the ports to which a port ACL is applied are only filtered by the port ACL. Outgoing routed IP packets are filtered by both the VLAN map and the router ACL. Other packets are filtered only by the VLAN map.

Related Topics

[Restrictions for Configuring IPv4 Access Control Lists, on page 148](#)

Port ACLs

Port ACLs are ACLs that are applied to Layer 2 interfaces on a switch. Port ACLs are supported only on physical interfaces and not on EtherChannel interfaces. Port ACLs can be applied to the interface in outbound and inbound direction. The following access lists are supported:

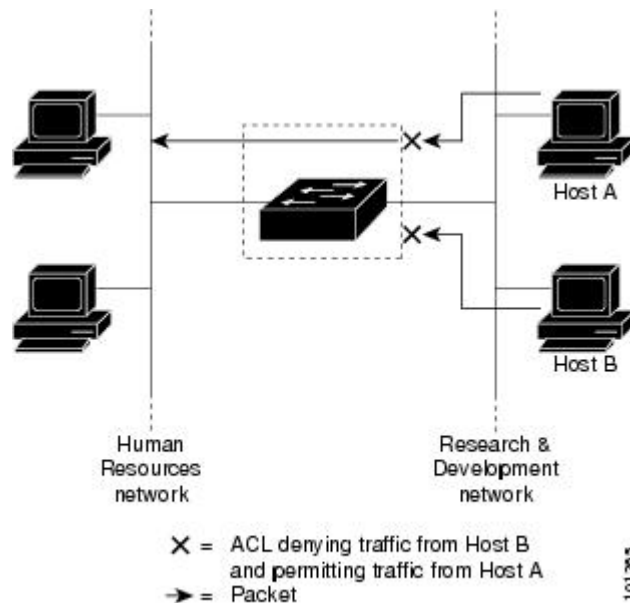
- Standard IP access lists using source addresses
- Extended IP access lists using source and destination addresses and optional protocol type information
- MAC extended access lists using source and destination MAC addresses and optional protocol type information

The switch examines ACLs on an interface and permits or denies packet forwarding based on how the packet matches the entries in the ACL. In this way, ACLs control access to a network or to part of a network.

This is an example of using port ACLs to control access to a network when all workstations are in the same VLAN. ACLs applied at the Layer 2 input would allow Host A to access the Human Resources network, but

prevent Host B from accessing the same network. Port ACLs can only be applied to Layer 2 interfaces in the inbound direction.

Figure 4: Using ACLs to Control Traffic in a Network



When you apply a port ACL to a trunk port, the ACL filters traffic on all VLANs present on the trunk port. When you apply a port ACL to a port with voice VLAN, the ACL filters traffic on both data and voice VLANs.

With port ACLs, you can filter IP traffic by using IP access lists and non-IP traffic by using MAC addresses. You can filter both IP and non-IP traffic on the same Layer 2 interface by applying both an IP access list and a MAC access list to the interface.



Note

You cannot apply more than one IP access list and one MAC access list to a Layer 2 interface. If an IP access list or MAC access list is already configured on a Layer 2 interface and you apply a new IP access list or MAC access list to the interface, the new ACL replaces the previously configured one.

Router ACLs

You can apply router ACLs on switch virtual interfaces (SVIs), which are Layer 3 interfaces to VLANs; on physical Layer 3 interfaces; and on Layer 3 EtherChannel interfaces. You apply router ACLs on interfaces for specific directions (inbound or outbound). You can apply one router ACL in each direction on an interface.

The switch supports these access lists for IPv4 traffic:

- Standard IP access lists use source addresses for matching operations.
- Extended IP access lists use source and destination addresses and optional protocol type information for matching operations.

As with port ACLs, the switch examines ACLs associated with features configured on a given interface. As packets enter the switch on an interface, ACLs associated with all inbound features configured on that interface are examined. After packets are routed and before they are forwarded to the next hop, all ACLs associated with outbound features configured on the egress interface are examined.

ACLs permit or deny packet forwarding based on how the packet matches the entries in the ACL, and can be used to control access to a network or to part of a network.

VLAN Maps

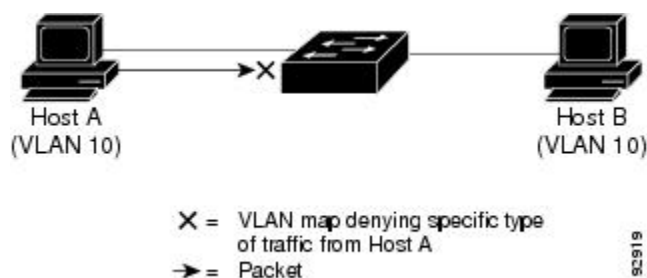
VLAN ACLs or VLAN maps are used to control network traffic within a VLAN. You can apply VLAN maps to all packets that are bridged within a VLAN in the switch or switch stack. VACLs are strictly for security packet filtering and for redirecting traffic to specific physical interfaces. VACLs are not defined by direction (ingress or egress).

All non-IP protocols are access-controlled through MAC addresses and Ethertype using MAC VLAN maps. (IP traffic is not access controlled by MAC VLAN maps.) You can enforce VLAN maps only on packets going through the switch; you cannot enforce VLAN maps on traffic between hosts on a hub or on another switch connected to this switch.

With VLAN maps, forwarding of packets is permitted or denied, based on the action specified in the map.

This shows how a VLAN map is applied to prevent a specific type of traffic from Host A in VLAN 10 from being forwarded. You can apply only one VLAN map to a VLAN.

Figure 5: Using VLAN Maps to Control Traffic



ACEs and Fragmented and Unfragmented Traffic

IP packets can be fragmented as they cross the network. When this happens, only the fragment containing the beginning of the packet contains the Layer 4 information, such as TCP or UDP port numbers, ICMP type and code, and so on. All other fragments are missing this information.

Some access control entries (ACEs) do not check Layer 4 information and therefore can be applied to all packet fragments. ACEs that do test Layer 4 information cannot be applied in the standard manner to most of the fragments in a fragmented IP packet. When the fragment contains no Layer 4 information and the ACE tests some Layer 4 information, the matching rules are modified:

- Permit ACEs that check the Layer 3 information in the fragment (including protocol type, such as TCP, UDP, and so on) are considered to match the fragment regardless of what the missing Layer 4 information might have been.

- Deny ACEs that check Layer 4 information never match a fragment unless the fragment contains Layer 4 information.

ACEs and Fragmented and Unfragmented Traffic Examples

Consider access list 102, configured with these commands, applied to three fragmented packets:

```
Switch(config)# access-list 102 permit tcp any host 10.1.1.1 eq smtp
Switch(config)# access-list 102 deny tcp any host 10.1.1.2 eq telnet
Switch(config)# access-list 102 permit tcp any host 10.1.1.2
Switch(config)# access-list 102 deny tcp any any
```



Note

In the first and second ACEs in the examples, the *eq* keyword after the destination address means to test for the TCP-destination-port well-known numbers equaling Simple Mail Transfer Protocol (SMTP) and Telnet, respectively.

- Packet A is a TCP packet from host 10.2.2.2, port 65000, going to host 10.1.1.1 on the SMTP port. If this packet is fragmented, the first fragment matches the first ACE (a permit) as if it were a complete packet because all Layer 4 information is present. The remaining fragments also match the first ACE, even though they do not contain the SMTP port information, because the first ACE only checks Layer 3 information when applied to fragments. The information in this example is that the packet is TCP and that the destination is 10.1.1.1.
- Packet B is from host 10.2.2.2, port 65001, going to host 10.1.1.2 on the Telnet port. If this packet is fragmented, the first fragment matches the second ACE (a deny) because all Layer 3 and Layer 4 information is present. The remaining fragments in the packet do not match the second ACE because they are missing Layer 4 information. Instead, they match the third ACE (a permit).
Because the first fragment was denied, host 10.1.1.2 cannot reassemble a complete packet, so packet B is effectively denied. However, the later fragments that are permitted will consume bandwidth on the network and resources of host 10.1.1.2 as it tries to reassemble the packet.
- Fragmented packet C is from host 10.2.2.2, port 65001, going to host 10.1.1.3, port ftp. If this packet is fragmented, the first fragment matches the fourth ACE (a deny). All other fragments also match the fourth ACE because that ACE does not check any Layer 4 information and because Layer 3 information in all fragments shows that they are being sent to host 10.1.1.3, and the earlier permit ACEs were checking different hosts.

ACLs and Switch Stacks

ACL support is the same for a switch stack as for a standalone switch. ACL configuration information is propagated to all switches in the stack. All switches in the stack, including the active switch, process the information and program their hardware.

Active Switch and ACL Functions

The active switch performs these ACL functions:

- It processes the ACL configuration and propagates the information to all stack members.

- It distributes the ACL information to any switch that joins the stack.
- If packets must be forwarded by software for any reason (for example, not enough hardware resources), the active switch forwards the packets only after applying ACLs on the packets.
- It programs its hardware with the ACL information it processes.

Stack Member and ACL Functions

Stack members perform these ACL functions:

- They receive the ACL information from the active switch and program their hardware.
- A stack member configured as a standby switch, performs the functions of the active switch in the event the active switch fails.

Active Switch Failure and ACLs

Both the active and standby switches have the ACL information. When the active switch fails, the standby takes over. The new active switch distributes the ACL information to all stack members.

Standard and Extended IPv4 ACLs

This section describes IP ACLs.

An ACL is a sequential collection of permit and deny conditions. One by one, the switch tests packets against the conditions in an access list. The first match determines whether the switch accepts or rejects the packet. Because the switch stops testing after the first match, the order of the conditions is critical. If no conditions match, the switch denies the packet.

The software supports these types of ACLs or access lists for IPv4:

- Standard IP access lists use source addresses for matching operations.
- Extended IP access lists use source and destination addresses for matching operations and optional protocol-type information for finer granularity of control.

IPv4 ACL Switch Unsupported Features

Configuring IPv4 ACLs on the switch is the same as configuring IPv4 ACLs on other Cisco switches and routers.

The following ACL-related features are not supported:

- Non-IP protocol ACLs
- IP accounting
- Reflexive ACLs and dynamic ACLs are not supported.

Access List Numbers

The number you use to denote your ACL shows the type of access list that you are creating.

This lists the access-list number and corresponding access list type and shows whether or not they are supported in the switch. The switch supports IPv4 standard and extended access lists, numbers 1 to 199 and 1300 to 2699.

Table 18: Access List Numbers

Access List Number	Type	Supported
1–99	IP standard access list	Yes
100–199	IP extended access list	Yes
200–299	Protocol type-code access list	No
300–399	DECnet access list	No
400–499	XNS standard access list	No
500–599	XNS extended access list	No
600–699	AppleTalk access list	No
700–799	48-bit MAC address access list	No
800–899	IPX standard access list	No
900–999	IPX extended access list	No
1000–1099	IPX SAP access list	No
1100–1199	Extended 48-bit MAC address access list	No
1200–1299	IPX summary address access list	No
1300–1999	IP standard access list (expanded range)	Yes
2000–2699	IP extended access list (expanded range)	Yes

In addition to numbered standard and extended ACLs, you can also create standard and extended named IP ACLs by using the supported numbers. That is, the name of a standard IP ACL can be 1 to 99; the name of an extended IP ACL can be 100 to 199. The advantage of using named ACLs instead of numbered lists is that you can delete individual entries from a named list.

Numbered Standard IPv4 ACLs

When creating an ACL, remember that, by default, the end of the ACL contains an implicit deny statement for all packets that it did not find a match for before reaching the end. With standard access lists, if you omit the mask from an associated IP host address ACL specification, 0.0.0.0 is assumed to be the mask.

The switch always rewrites the order of standard access lists so that entries with **host** matches and entries with matches having a *don't care* mask of 0.0.0.0 are moved to the top of the list, above any entries with non-zero *don't care* masks. Therefore, in **show** command output and in the configuration file, the ACEs do not necessarily appear in the order in which they were entered.

After creating a numbered standard IPv4 ACL, you can apply it to VLANs, to terminal lines, or to interfaces.

Numbered Extended IPv4 ACLs

Although standard ACLs use only source addresses for matching, you can use extended ACL source and destination addresses for matching operations and optional protocol type information for finer granularity of control. When you are creating ACEs in numbered extended access lists, remember that after you create the ACL, any additions are placed at the end of the list. You cannot reorder the list or selectively add or remove ACEs from a numbered list.

The switch does not support dynamic or reflexive access lists. It also does not support filtering based on the type of service (ToS) minimize-monetary-cost bit.

Some protocols also have specific parameters and keywords that apply to that protocol.

You can define an extended TCP, UDP, ICMP, IGMP, or other IP ACL. The switch also supports these IP protocols:

**Note**

ICMP echo-reply cannot be filtered. All other ICMP codes or types can be filtered.

These IP protocols are supported:

- Authentication Header Protocol (**ahp**)
- Encapsulation Security Payload (**esp**)
- Enhanced Interior Gateway Routing Protocol (**eigrp**)
- generic routing encapsulation (**gre**)
- Internet Control Message Protocol (**icmp**)
- Internet Group Management Protocol (**igmp**)
- any Interior Protocol (**ip**)
- IP in IP tunneling (**ipinip**)
- KA9Q NOS-compatible IP over IP tunneling (**nos**)
- Open Shortest Path First routing (**ospf**)
- Payload Compression Protocol (**pcp**)
- Protocol-Independent Multicast (**pim**)

- Transmission Control Protocol (**tcp**)
- User Datagram Protocol (**udp**)

Named IPv4 ACLs

You can identify IPv4 ACLs with an alphanumeric string (a name) rather than a number. You can use named ACLs to configure more IPv4 access lists in a router than if you were to use numbered access lists. If you identify your access list with a name rather than a number, the mode and command syntax are slightly different. However, not all commands that use IP access lists accept a named access list.

**Note**

The name you give to a standard or extended ACL can also be a number in the supported range of access list numbers. That is, the name of a standard IP ACL can be 1 to 99 and . The advantage of using named ACLs instead of numbered lists is that you can delete individual entries from a named list.

Consider these guidelines before configuring named ACLs:

- Numbered ACLs are also available.
- A standard ACL and an extended ACL cannot have the same name.

ACL Logging

The switch software can provide logging messages about packets permitted or denied by a standard IP access list. That is, any packet that matches the ACL causes an informational logging message about the packet to be sent to the console. The level of messages logged to the console is controlled by the **logging console** commands controlling the syslog messages.

**Note**

Because routing is done in hardware and logging is done in software, if a large number of packets match a *permit* or *deny* ACE containing a **log** keyword, the software might not be able to match the hardware processing rate, and not all packets will be logged.

The first packet that triggers the ACL causes a logging message right away, and subsequent packets are collected over 5-minute intervals before they appear or logged. The logging message includes the access list number, whether the packet was permitted or denied, the source IP address of the packet, and the number of packets from that source permitted or denied in the prior 5-minute interval.

**Note**

The logging facility might drop some logging message packets if there are too many to be handled or if there is more than one logging message to be handled in 1 second. This behavior prevents the router from crashing due to too many logging packets. Therefore, the logging facility should not be used as a billing tool or an accurate source of the number of matches to an access list.

Smart Logging

When smart logging is enabled on the switch and an ACL configured with smart logging is attached to a Layer 2 interface (port ACL), the contents of packets denied or permitted because of the ACL are also sent to a specified NetFlow collector.

Hardware and Software Treatment of IP ACLs

ACL processing is performed in hardware. If the hardware reaches its capacity to store ACL configurations, all packets on that interface are dropped.

**Note**

If an ACL configuration cannot be implemented in hardware due to an out-of-resource condition on a switch or stack member, then only the traffic in that VLAN arriving on that switch is affected.

When you enter the **show ip access-lists** privileged EXEC command, the match count displayed does not account for packets that are access controlled in hardware. Use the `show ip access-lists hardware` privileged EXEC command to obtain some basic hardware ACL statistics for switched and routed packets.

VLAN Map Configuration Guidelines

VLAN maps are the only way to control filtering within a VLAN. VLAN maps have no direction. To filter traffic in a specific direction by using a VLAN map, you need to include an ACL with specific source or destination addresses. If there is a match clause for that type of packet (IP or MAC) in the VLAN map, the default action is to drop the packet if the packet does not match any of the entries within the map. If there is no match clause for that type of packet, the default is to forward the packet.

The following are the VLAN map configuration guidelines:

- If there is no ACL configured to deny traffic on an interface and no VLAN map is configured, all traffic is permitted.
- Each VLAN map consists of a series of entries. The order of entries in a VLAN map is important. A packet that comes into the switch is tested against the first entry in the VLAN map. If it matches, the action specified for that part of the VLAN map is taken. If there is no match, the packet is tested against the next entry in the map.
- If the VLAN map has at least one match clause for the type of packet (IP or MAC) and the packet does not match any of these match clauses, the default is to drop the packet. If there is no match clause for that type of packet in the VLAN map, the default is to forward the packet.
- Logging is not supported for VLAN maps.
- When a switch has an IP access list or MAC access list applied to a Layer 2 interface, and you apply a VLAN map to a VLAN that the port belongs to, the port ACL takes precedence over the VLAN map.
- If a VLAN map configuration cannot be applied in hardware, all packets in that VLAN are dropped.

VLAN Maps with Router ACLs

To access control both bridged and routed traffic, you can use VLAN maps only or a combination of router ACLs and VLAN maps. You can define router ACLs on both input and output routed VLAN interfaces, and you can define a VLAN map to access control the bridged traffic.

If a packet flow matches a VLAN-map deny clause in the ACL, regardless of the router ACL configuration, the packet flow is denied.



Note

When you use router ACLs with VLAN maps, packets that require logging on the router ACLs are not logged if they are denied by a VLAN map.

If the VLAN map has a match clause for the type of packet (IP or MAC) and the packet does not match the type, the default is to drop the packet. If there is no match clause in the VLAN map, and no action specified, the packet is forwarded if it does not match any VLAN map entry.

VLAN Maps and Router ACL Configuration Guidelines

These guidelines are for configurations where you need to have an router ACL and a VLAN map on the same VLAN. These guidelines do not apply to configurations where you are mapping router ACLs and VLAN maps on different VLANs.

If you must configure a router ACL and a VLAN map on the same VLAN, use these guidelines for both router ACL and VLAN map configuration:

- You can configure only one VLAN map and one router ACL in each direction (input/output) on a VLAN interface.
- Whenever possible, try to write the ACL with all entries having a single action except for the final, default action of the other type. That is, write the ACL using one of these two forms:

```
permit... permit... permit... deny ip any any
```

or

```
deny... deny... deny... permit ip any any
```
- To define multiple actions in an ACL (permit, deny), group each action type together to reduce the number of entries.
- Avoid including Layer 4 information in an ACL; adding this information complicates the merging process. The best merge results are obtained if the ACLs are filtered based on IP addresses (source and destination) and not on the full flow (source IP address, destination IP address, protocol, and protocol ports). It is also helpful to use *don't care* bits in the IP address, whenever possible.

If you need to specify the full-flow mode and the ACL contains both IP ACEs and TCP/UDP/ICMP ACEs with Layer 4 information, put the Layer 4 ACEs at the end of the list. This gives priority to the filtering of traffic based on IP addresses.

VACL Logging

When you configure VACL logging, syslog messages are generated for denied IP packets under these circumstances:

- When the first matching packet is received.
- For any matching packets received within the last 5 minutes.
- If the threshold is reached before the 5-minute interval.

Log messages are generated on a per-flow basis. A flow is defined as packets with the same IP addresses and Layer 4 (UDP or TCP) port numbers. If a flow does not receive any packets in the 5-minute interval, that flow is removed from the cache. When a syslog message is generated, the timer and packet counter are reset.

VACL logging restrictions:

- Only denied IP packets are logged.
- Packets that require logging on the outbound port ACLs are not logged if they are denied by a VACL.

Time Ranges for ACLs

You can selectively apply extended ACLs based on the time of day and the week by using the **time-range** global configuration command. First, define a time-range name and set the times and the dates or the days of the week in the time range. Then enter the time-range name when applying an ACL to set restrictions to the access list. You can use the time range to define when the permit or deny statements in the ACL are in effect, for example, during a specified time period or on specified days of the week. The **time-range** keyword and argument are referenced in the named and numbered extended ACL task tables.

These are some benefits of using time ranges:

- You have more control over permitting or denying a user access to resources, such as an application (identified by an IP address/mask pair and a port number).
- You can control logging messages. ACL entries can be set to log traffic only at certain times of the day. Therefore, you can simply deny access without needing to analyze many logs generated during peak hours.

Time-based access lists trigger CPU activity because the new configuration of the access list must be merged with other features and the combined configuration loaded into the hardware memory. For this reason, you should be careful not to have several access lists configured to take affect in close succession (within a small number of minutes of each other.)

**Note**

The time range relies on the switch system clock; therefore, you need a reliable clock source. We recommend that you use Network Time Protocol (NTP) to synchronize the switch clock.

Related Topics

[Configuring Time Ranges for ACLs, on page 171](#)

IPv4 ACL Interface Considerations

When you apply the **ip access-group** interface configuration command to a Layer 3 interface (an SVI, a Layer 3 EtherChannel, or a routed port), the interface must have been configured with an IP address. Layer 3 access groups filter packets that are routed or are received by Layer 3 processes on the CPU. They do not affect packets bridged within a VLAN.

For inbound ACLs, after receiving a packet, the switch checks the packet against the ACL. If the ACL permits the packet, the switch continues to process the packet. If the ACL rejects the packet, the switch discards the packet.

For outbound ACLs, after receiving and routing a packet to a controlled interface, the switch checks the packet against the ACL. If the ACL permits the packet, the switch sends the packet. If the ACL rejects the packet, the switch discards the packet.

By default, the input interface sends ICMP Unreachable messages whenever a packet is discarded, regardless of whether the packet was discarded because of an ACL on the input interface or because of an ACL on the output interface. ICMP Unreachables are normally limited to no more than one every one-half second per input interface, but this can be changed by using the **ip icmp rate-limit unreachable** global configuration command.

When you apply an undefined ACL to an interface, the switch acts as if the ACL has not been applied to the interface and permits all packets. Remember this behavior if you use undefined ACLs for network security.

Related Topics

[Applying an IPv4 ACL to an Interface, on page 175](#)

[Restrictions for Configuring IPv4 Access Control Lists, on page 148](#)

How to Configure ACLs

Configuring IPv4 ACLs

These are the steps to use IP ACLs on the switch:

SUMMARY STEPS

1. Create an ACL by specifying an access list number or name and the access conditions.
2. Apply the ACL to interfaces or terminal lines. You can also apply standard and extended IP ACLs to VLAN maps.

DETAILED STEPS

	Command or Action	Purpose
Step 1	Create an ACL by specifying an access list number or name and the access conditions.	
Step 2	Apply the ACL to interfaces or terminal lines. You can also apply standard and extended IP ACLs to VLAN maps.	

Creating a Numbered Standard ACL

Follow these steps to create a numbered standard ACL:

SUMMARY STEPS

1. **enable**
2. **configure terminal**
3. **access-list *access-list-number* {deny | permit} source source-wildcard]**
4. **end**
5. **show running-config**
6. **copy running-config startup-config**

DETAILED STEPS

	Command or Action	Purpose
Step 1	enable Example: Switch> enable	Enables privileged EXEC mode. Enter your password if prompted.
Step 2	configure terminal Example: Switch# configure terminal	Enters the global configuration mode.
Step 3	access-list <i>access-list-number</i> {deny permit} source source-wildcard] Example: Switch(config)# access-list 2 deny your_host	Defines a standard IPv4 access list by using a source address and wildcard. The <i>access-list-number</i> is a decimal number from 1 to 99 or 1300 to 1999. Enter deny or permit to specify whether to deny or permit access if conditions are matched. The <i>source</i> is the source address of the network or host from which the packet is being sent specified as: <ul style="list-style-type: none"> • The 32-bit quantity in dotted-decimal format. • The keyword any as an abbreviation for <i>source</i> and <i>source-wildcard</i> of 0.0.0.0 255.255.255.255. You do not need to enter a source-wildcard.

	Command or Action	Purpose
		<ul style="list-style-type: none"> The keyword host as an abbreviation for source and <i>source-wildcard</i> of <i>source 0.0.0.0</i>. (Optional) The <i>source-wildcard</i> applies wildcard bits to the source. Note Logging is supported only on ACLs attached to Layer 3 interfaces.
Step 4	end Example: Switch(config)# end	Returns to privileged EXEC mode.
Step 5	show running-config Example: Switch# show running-config	Verifies your entries.
Step 6	copy running-config startup-config Example: Switch# copy running-config startup-config	(Optional) Saves your entries in the configuration file.

Related Topics

[Configuring VLAN Maps, on page 180](#)

Creating a Numbered Extended ACL

Follow these steps to create a numbered extended ACL:

SUMMARY STEPS

1. **configure terminal**
2. **access-list** *access-list-number* {deny | permit} *protocol source source-wildcard destination destination-wildcard* [precedence *precedence*] [tos *tos*] [fragments] [log [log-input] [time-range *time-range-name*]] [dscp *dscp*]
3. **access-list** *access-list-number* {deny | permit} **tcp** *source source-wildcard* [*operator port*] *destination destination-wildcard* [*operator port*] [established] [precedence *precedence*] [tos *tos*] [fragments] [log [log-input] [time-range *time-range-name*]] [dscp *dscp*] [*flag*]
4. **access-list** *access-list-number* {deny | permit} **udp** *source source-wildcard* [*operator port*] *destination destination-wildcard* [*operator port*] [precedence *precedence*] [tos *tos*] [fragments] [log [log-input] [time-range *time-range-name*]] [dscp *dscp*]
5. **access-list** *access-list-number* {deny | permit} **icmp** *source source-wildcard destination destination-wildcard* [*icmp-type* | [[*icmp-type icmp-code*] | [*icmp-message*]]] [precedence *precedence*] [tos *tos*] [fragments] [time-range *time-range-name*] [dscp *dscp*]
6. **access-list** *access-list-number* {deny | permit} **igmp** *source source-wildcard destination destination-wildcard* [*igmp-type*] [precedence *precedence*] [tos *tos*] [fragments] [log [log-input] [time-range *time-range-name*]] [dscp *dscp*]
7. **end**

DETAILED STEPS

	Command or Action	Purpose
Step 1	<p>configure terminal</p> <p>Example:</p> <pre>Switch# configure terminal</pre>	Enters the global configuration mode.
Step 2	<p>access-list <i>access-list-number</i> {deny permit} <i>protocol source source-wildcard destination destination-wildcard</i> [precedence <i>precedence</i>] [tos <i>tos</i>] [fragments] [log [log-input] [time-range <i>time-range-name</i>]] [dscp <i>dscp</i>]</p> <p>Example:</p> <pre>Switch(config)# access-list 101 permit ip host 10.1.1.2 any precedence 0 tos 0 log</pre>	<p>Defines an extended IPv4 access list and the access conditions.</p> <p>The <i>access-list-number</i> is a decimal number from 100 to 199 or 2000 to 2699.</p> <p>Enter deny or permit to specify whether to deny or permit the packet if conditions are matched.</p> <p>For <i>protocol</i>, enter the name or number of an P protocol: ahp, eigrp, esp, gre, icmp, igmp, igrp, ip, ipinip, nos, ospf, pcp, pim, tcp, or udp, or an integer in the range 0 to 255 representing an IP protocol number. To match any Internet protocol (including ICMP, TCP, and UDP), use the keyword ip.</p> <p>Note This step includes options for most IP protocols. For additional specific parameters for TCP, UDP, ICMP, and IGMP, see the following steps.</p> <p>The <i>source</i> is the number of the network or host from which the packet is sent.</p> <p>The <i>source-wildcard</i> applies wildcard bits to the source.</p> <p>The <i>destination</i> is the network or host number to which the packet is sent.</p> <p>The <i>destination-wildcard</i> applies wildcard bits to the destination.</p>

	Command or Action	Purpose
		<p>Source, source-wildcard, destination, and destination-wildcard can be specified as:</p> <ul style="list-style-type: none"> • The 32-bit quantity in dotted-decimal format. • The keyword any for 0.0.0.0 255.255.255.255 (any host). • The keyword host for a single host 0.0.0.0. <p>The other keywords are optional and have these meanings:</p> <ul style="list-style-type: none"> • precedence—Enter to match packets with a precedence level specified as a number from 0 to 7 or by name: routine (0), priority (1), immediate (2), flash (3), flash-override (4), critical (5), internet (6), network (7). • fragments—Enter to check non-initial fragments. • tos—Enter to match by type of service level, specified by a number from 0 to 15 or a name: normal (0), max-reliability (2), max-throughput (4), min-delay (8). • log—Enter to create an informational logging message to be sent to the console about the packet that matches the entry or log-input to include the input interface in the log entry. • time-range—Specify the time-range name. • dscp—Enter to match packets with the DSCP value specified by a number from 0 to 63, or use the question mark (?) to see a list of available values. <p>Note If you enter a dscp value, you cannot enter tos or precedence. You can enter both a tos and a precedence value with no dscp.</p>
<p>Step 3</p>	<p>access-list <i>access-list-number</i> {deny permit} tcp <i>source source-wildcard</i> [<i>operator port</i>] <i>destination destination-wildcard</i> [<i>operator port</i>] [established] [precedence <i>precedence</i>] [tos <i>tos</i>] [fragments] [log [log-input] [time-range <i>time-range-name</i>] [dscp <i>dscp</i>] [<i>flag</i>]</p> <p>Example:</p> <pre>Switch(config)# access-list 101 permit tcp any any eq 500</pre>	<p>Defines an extended TCP access list and the access conditions.</p> <p>The parameters are the same as those described for an extended IPv4 ACL, with these exceptions:</p> <p>(Optional) Enter an <i>operator</i> and <i>port</i> to compare source (if positioned after <i>source source-wildcard</i>) or destination (if positioned after <i>destination destination-wildcard</i>) port. Possible operators include eq (equal), gt (greater than), lt (less than), neq (not equal), and range (inclusive range). Operators require a port number (range requires two port numbers separated by a space).</p> <p>Enter the <i>port</i> number as a decimal number (from 0 to 65535) or the name of a TCP port. Use only TCP port numbers or names when filtering TCP.</p> <p>The other optional keywords have these meanings:</p> <ul style="list-style-type: none"> • established—Enter to match an established connection. This has the same function as matching on the ack or rst flag. • flag—Enter one of these flags to match by the specified TCP header bits: ack (acknowledge), fin (finish), psh (push), rst (reset), syn (synchronize), or urg (urgent).

	Command or Action	Purpose
Step 4	<p>access-list <i>access-list-number</i> {deny permit} udp <i>source source-wildcard</i> [<i>operator port</i>] <i>destination destination-wildcard</i> [<i>operator port</i>] [precedence <i>precedence</i>] [tos <i>tos</i>] [fragments] [log [log-input] [time-range <i>time-range-name</i>] [dscp <i>dscp</i>]</p> <p>Example:</p> <pre>Switch(config)# access-list 101 permit udp any any eq 100</pre>	<p>(Optional) Defines an extended UDP access list and the access conditions.</p> <p>The UDP parameters are the same as those described for TCP except that the [<i>operator</i> [<i>port</i>]] port number or name must be a UDP port number or name, and the flag and established keywords are not valid for UDP.</p>
Step 5	<p>access-list <i>access-list-number</i> {deny permit} icmp <i>source source-wildcard</i> <i>destination destination-wildcard</i> [<i>icmp-type</i> [[<i>icmp-type icmp-code</i>] [<i>icmp-message</i>]]] [precedence <i>precedence</i>] [tos <i>tos</i>] [fragments] [time-range <i>time-range-name</i>] [dscp <i>dscp</i>]</p> <p>Example:</p> <pre>Switch(config)# access-list 101 permit icmp any any 200</pre>	<p>Defines an extended ICMP access list and the access conditions.</p> <p>The ICMP parameters are the same as those described for most IP protocols in an extended IPv4 ACL, with the addition of the ICMP message type and code parameters. These optional keywords have these meanings:</p> <ul style="list-style-type: none"> <i>icmp-type</i>—Enter to filter by ICMP message type, a number from 0 to 255. <i>icmp-code</i>—Enter to filter ICMP packets that are filtered by the ICMP message code type, a number from 0 to 255. <i>icmp-message</i>—Enter to filter ICMP packets by the ICMP message type name or the ICMP message type and code name.
Step 6	<p>access-list <i>access-list-number</i> {deny permit} igmp <i>source source-wildcard</i> <i>destination destination-wildcard</i> [<i>igmp-type</i>] [precedence <i>precedence</i>] [tos <i>tos</i>] [fragments] [log [log-input] [time-range <i>time-range-name</i>] [dscp <i>dscp</i>]</p> <p>Example:</p> <pre>Switch(config)# access-list 101 permit igmp any any 14</pre>	<p>(Optional) Defines an extended IGMP access list and the access conditions.</p> <p>The IGMP parameters are the same as those described for most IP protocols in an extended IPv4 ACL, with this optional parameter.</p> <p><i>igmp-type</i>—To match IGMP message type, enter a number from 0 to 15, or enter the message name: dvmp, host-query, host-report, pim, or trace.</p>
Step 7	<p>end</p> <p>Example:</p> <pre>Switch(config)# end</pre>	<p>Returns to privileged EXEC mode.</p>

Related Topics

[Configuring VLAN Maps, on page 180](#)

Creating Named Standard ACLs

Follow these steps to create a standard ACL using names:

SUMMARY STEPS

1. **enable**
2. **configure terminal**
3. **ip access-list standard *name***
4. Use one of the following:
 - **deny** {*source* [*source-wildcard*] | **host** *source* | **any**} [**log**]
 - **permit** {*source* [*source-wildcard*] | **host** *source* | **any**} [**log**]
5. **end**
6. **show running-config**
7. **copy running-config startup-config**

DETAILED STEPS

	Command or Action	Purpose
Step 1	enable Example: Switch> enable	Enables privileged EXEC mode. Enter your password if prompted.
Step 2	configure terminal Example: Switch# configure terminal	Enters the global configuration mode.
Step 3	ip access-list standard <i>name</i> Example: Switch(config)# ip access-list standard 20	Defines a standard IPv4 access list using a name, and enter access-list configuration mode. The name can be a number from 1 to 99.
Step 4	Use one of the following: <ul style="list-style-type: none"> • deny {<i>source</i> [<i>source-wildcard</i>] host <i>source</i> any} [log] 	In access-list configuration mode, specify one or more conditions denied or permitted to decide if the packet is forwarded or dropped.

	Command or Action	Purpose
	<ul style="list-style-type: none"> • permit {<i>source</i> [<i>source-wildcard</i>] host <i>source</i> any} [log] <p>Example:</p> <pre>Switch(config-std-nacl)# deny 192.168.0.0 0.0.255.255 255.255.0.0 0.0.255.255</pre> <p>OR</p> <pre>Switch(config-std-nacl)# permit 10.108.0.0 0.0.0.0 255.255.255.0 0.0.0.0</pre>	<ul style="list-style-type: none"> • host <i>source</i>—A source and source wildcard of <i>source</i> 0.0.0.0. • any—A source and source wildcard of 0.0.0.0 255.255.255.255.
Step 5	<p>end</p> <p>Example:</p> <pre>Switch(config-std-nacl)# end</pre>	Returns to privileged EXEC mode.
Step 6	<p>show running-config</p> <p>Example:</p> <pre>Switch# show running-config</pre>	Verifies your entries.
Step 7	<p>copy running-config startup-config</p> <p>Example:</p> <pre>Switch# copy running-config startup-config</pre>	(Optional) Saves your entries in the configuration file.

Creating Extended Named ACLs

Follow these steps to create an extended ACL using names:

SUMMARY STEPS

1. **enable**
2. **configure terminal**
3. **ip access-list extended *name***
4. **{deny | permit} protocol {source [source-wildcard] | host source | any} {destination [destination-wildcard] | host destination | any} [precedence precedence] [tos tos] [established] [log] [time-range time-range-name]**
5. **end**
6. **show running-config**
7. **copy running-config startup-config**

DETAILED STEPS

	Command or Action	Purpose
Step 1	enable Example: Switch> enable	Enables privileged EXEC mode. Enter your password if prompted.
Step 2	configure terminal Example: Switch# configure terminal	Enters the global configuration mode.
Step 3	ip access-list extended <i>name</i> Example: Switch(config)# ip access-list extended 150	Defines an extended IPv4 access list using a name, and enter access-list configuration mode. The name can be a number from 100 to 199.
Step 4	{deny permit} protocol {source [source-wildcard] host source any} {destination [destination-wildcard] host destination any} [precedence precedence] [tos tos] [established] [log] [time-range time-range-name] Example: Switch(config-ext-nacl)# permit 0 any any	In access-list configuration mode, specify the conditions allowed or denied. Use the log keyword to get access list logging messages, including violations. <ul style="list-style-type: none"> • host source—A source and source wildcard of <i>source</i> 0.0.0.0. • host destination—A destination and destination wildcard of <i>destination</i> 0.0.0.0. • any—A source and source wildcard or destination and destination wildcard of 0.0.0.0 255.255.255.255.

	Command or Action	Purpose
Step 5	end Example: Switch(config-ext-nacl)# end	Returns to privileged EXEC mode.
Step 6	show running-config Example: Switch# show running-config	Verifies your entries.
Step 7	copy running-config startup-config Example: Switch# copy running-config startup-config	(Optional) Saves your entries in the configuration file.

When you are creating extended ACLs, remember that, by default, the end of the ACL contains an implicit deny statement for everything if it did not find a match before reaching the end. For standard ACLs, if you omit the mask from an associated IP host address access list specification, 0.0.0.0 is assumed to be the mask.

After you create an ACL, any additions are placed at the end of the list. You cannot selectively add ACL entries to a specific ACL. However, you can use **no permit** and **no deny** access-list configuration mode commands to remove entries from a named ACL.

Being able to selectively remove lines from a named ACL is one reason you might use named ACLs instead of numbered ACLs.

What to Do Next

After creating a named ACL, you can apply it to interfaces or to VLANs .

Configuring Time Ranges for ACLs

Follow these steps to configure a time-range parameter for an ACL:

SUMMARY STEPS

1. **enable**
2. **configure terminal**
3. **time-range** *time-range-name*
4. Use one of the following:
 - **absolute** [**start** *time date*] [**end** *time date*]
 - **periodic** *day-of-the-week hh:mm to [day-of-the-week] hh:mm*
 - **periodic** {**weekdays** | **weekend** | **daily**} *hh:mm to hh:mm*
5. **end**
6. **show running-config**
7. **copy running-config startup-config**

DETAILED STEPS

	Command or Action	Purpose
Step 1	enable Example: Switch(config)# enable	Enables privileged EXEC mode. Enter your password if prompted.
Step 2	configure terminal Example: Switch# configure terminal	Enters the global configuration mode.
Step 3	time-range <i>time-range-name</i> Example: Switch(config)# time-range <i>workhours</i>	Assigns a meaningful name (for example, <i>workhours</i>) to the time range to be created, and enter time-range configuration mode. The name cannot contain a space or quotation mark and must begin with a letter.
Step 4	Use one of the following: <ul style="list-style-type: none"> • absolute [start <i>time date</i>] [end <i>time date</i>] • periodic <i>day-of-the-week hh:mm to [day-of-the-week] hh:mm</i> • periodic {weekdays weekend daily} <i>hh:mm to hh:mm</i> 	Specifies when the function it will be applied to is operational. <ul style="list-style-type: none"> • You can use only one absolute statement in the time range. If you configure more than one absolute statement, only the one configured last is executed. • You can enter multiple periodic statements. For example, you could configure different hours for weekdays and weekends.

	Command or Action	Purpose
	<p>Example:</p> <pre>Switch(config-time-range)# absolute start 00:00 1 Jan 2006 end 23:59 1 Jan 2006</pre> <p>or</p> <pre>Switch(config-time-range)# periodic weekdays 8:00 to 12:00</pre>	See the example configurations.
Step 5	<p>end</p> <p>Example:</p> <pre>Switch(config)# end</pre>	Returns to privileged EXEC mode.
Step 6	<p>show running-config</p> <p>Example:</p> <pre>Switch# show running-config</pre>	Verifies your entries.
Step 7	<p>copy running-config startup-config</p> <p>Example:</p> <pre>Switch# copy running-config startup-config</pre>	(Optional) Saves your entries in the configuration file.

What to Do Next

Repeat the steps if you have multiple items that you want in effect at different times.

Related Topics

[Time Ranges for ACLs, on page 161](#)

Applying an IPv4 ACL to a Terminal Line

You can use numbered ACLs to control access to one or more terminal lines. You cannot apply named ACLs to lines. You must set identical restrictions on all the virtual terminal lines because a user can attempt to connect to any of them.

Follow these steps to restrict incoming and outgoing connections between a virtual terminal line and the addresses in an ACL:

SUMMARY STEPS

1. **enable**
2. **configure terminal**
3. **line [console | vty] *line-number***
4. **access-class *access-list-number* {in | out}**
5. **end**
6. **show running-config**
7. **copy running-config startup-config**

DETAILED STEPS

	Command or Action	Purpose
Step 1	enable Example: Switch(config)# enable	Enables privileged EXEC mode. Enter your password if prompted.
Step 2	configure terminal Example: Switch# configure terminal	Enters the global configuration mode.
Step 3	line [console vty] <i>line-number</i> Example: Switch(config)# line console 0	Identifies a specific line to configure, and enter in-line configuration mode. <ul style="list-style-type: none"> • console—Specifies the console terminal line. The console port is DCE. • vty—Specifies a virtual terminal for remote console access. <p>The <i>line-number</i> is the first line number in a contiguous group that you want to configure when the line type is specified. The range is from 0 to 16.</p>
Step 4	access-class <i>access-list-number</i> {in out} Example: Switch(config-line)# access-class 10 in	Restricts incoming and outgoing connections between a particular virtual terminal line (into a device) and the addresses in an access list.
Step 5	end Example: Switch(config-line)# end	Returns to privileged EXEC mode.

	Command or Action	Purpose
Step 6	show running-config Example: Switch# show running-config	Verifies your entries.
Step 7	copy running-config startup-config Example: Switch# copy running-config startup-config	(Optional) Saves your entries in the configuration file.

Applying an IPv4 ACL to an Interface

This section describes how to apply IPv4 ACLs to network interfaces.

Beginning in privileged EXEC mode, follow these steps to control access to an interface:

SUMMARY STEPS

1. **configure terminal**
2. **interface *interface-id***
3. **ip access-group {*access-list-number* | *name*} {in | out}**
4. **end**
5. **show running-config**
6. **copy running-config startup-config**

DETAILED STEPS

	Command or Action	Purpose
Step 1	configure terminal Example: Switch# configure terminal	Enters the global configuration mode.
Step 2	interface <i>interface-id</i> Example: Switch (config) # interface gigabitethernet1/0/1	Identifies a specific interface for configuration, and enter interface configuration mode. The interface can be a Layer 2 interface (port ACL), or a Layer 3 interface (router ACL).

	Command or Action	Purpose
Step 3	ip access-group { <i>access-list-number</i> <i>name</i> } { in out } Example: Switch(config-if)# ip access-group 2 in	Controls access to the specified interface.
Step 4	end Example: Switch(config-if)# end	Returns to privileged EXEC mode.
Step 5	show running-config Example: Switch# show running-config	Displays the access list configuration.
Step 6	copy running-config startup-config Example: Switch# copy running-config startup-config	(Optional) Saves your entries in the configuration file.

Related Topics

[IPv4 ACL Interface Considerations, on page 162](#)

[Restrictions for Configuring IPv4 Access Control Lists, on page 148](#)

Creating Named MAC Extended ACLs

You can filter non-IPv4 traffic on a VLAN or on a Layer 2 interface by using MAC addresses and named MAC extended ACLs. The procedure is similar to that of configuring other extended named ACLs.

Follow these steps to create a named MAC extended ACL:

SUMMARY STEPS

1. **enable**
2. **configure terminal**
3. **mac access-list extended *name***
4. **{deny | permit} {any | host *source MAC address* | *source MAC address mask*} {any | host *destination MAC address* | *destination MAC address mask*} [*type mask* | **lsap** *lsap mask* | **aarp** | **amber** | **dec-spanning** | **decnet-iv** | **diagnostic** | **dsm** | **etype-6000** | **etype-8042** | **lat** | **lavr-sca** | **mop-console** | **mop-dump** | **msdos** | **mumps** | **netbios** | **vines-echo** | **vines-ip** | **xns-idp** | 0-65535] [**cos** *cos*]**
5. **end**
6. **show running-config**
7. **copy running-config startup-config**

DETAILED STEPS

	Command or Action	Purpose
Step 1	enable Example: Switch> enable	Enables privileged EXEC mode. Enter your password if prompted.
Step 2	configure terminal Example: Switch# configure terminal	Enters the global configuration mode.
Step 3	mac access-list extended <i>name</i> Example: Switch(config)# mac access-list extended macl	Defines an extended MAC access list using a name.
Step 4	{deny permit} {any host <i>source MAC address</i> <i>source MAC address mask</i>} {any host <i>destination MAC address</i> <i>destination MAC address mask</i>} [<i>type mask</i> lsap <i>lsap mask</i> aarp amber dec-spanning decnet-iv diagnostic dsm etype-6000 etype-8042 lat lavr-sca mop-console mop-dump msdos mumps netbios vines-echo vines-ip xns-idp 0-65535] [cos <i>cos</i>] Example: Switch(config-ext-macl)# deny any any	In extended MAC access-list configuration mode, specifies to permit or deny any source MAC address, a source MAC address with a mask, or a specific host source MAC address and any destination MAC address, destination MAC address with a mask, or a specific destination MAC address. (Optional) You can also enter these options: <ul style="list-style-type: none"> • <i>type mask</i>—An arbitrary EtherType number of a packet with Ethernet II or SNAP encapsulation in decimal, hexadecimal, or octal with optional mask of <i>don't care</i> bits applied to the EtherType before testing for a match.

	Command or Action	Purpose
	<pre>decnet-iv</pre> <p>or</p> <pre>Switch(config-ext-macl)# permit any any</pre>	<ul style="list-style-type: none"> • lsap <i>lsap mask</i>—An LSAP number of a packet with IEEE 802.2 encapsulation in decimal, hexadecimal, or octal with optional mask of <i>don't care</i> bits. • aarp amber dec-spanning decnet-iv diagnostic dsm etype-6000 etype-8042 lat lavc-sca mop-console mop-dump msdos mumps netbios vines-echo vines-ip xns-idp—A non-IP protocol. • cos <i>cos</i>—An IEEE 802.1Q cost of service number from 0 to 7 used to set priority.
Step 5	<pre>end</pre> <p>Example:</p> <pre>Switch(config-ext-macl)# end</pre>	Returns to privileged EXEC mode.
Step 6	<pre>show running-config</pre> <p>Example:</p> <pre>Switch# show running-config</pre>	Verifies your entries.
Step 7	<pre>copy running-config startup-config</pre> <p>Example:</p> <pre>Switch# copy running-config startup-config</pre>	(Optional) Saves your entries in the configuration file.

Related Topics

[Restrictions for Configuring IPv4 Access Control Lists, on page 148](#)

[Configuring VLAN Maps, on page 180](#)

Applying a MAC ACL to a Layer 2 Interface

Follow these steps to apply a MAC access list to control access to a Layer 2 interface:

SUMMARY STEPS

1. **enable**
2. **configure terminal**
3. **interface *interface-id***
4. **mac access-group {*name*} {in | out }**
5. **end**
6. **show mac access-group [interface *interface-id*]**
7. **show running-config**
8. **copy running-config startup-config**

DETAILED STEPS

	Command or Action	Purpose
Step 1	enable Example: Switch> enable	Enables privileged EXEC mode. Enter your password if prompted.
Step 2	configure terminal Example: Switch# configure terminal	Enters the global configuration mode.
Step 3	interface <i>interface-id</i> Example: Switch(config)# interface gigabitethernet1/0/2	Identifies a specific interface, and enter interface configuration mode. The interface must be a physical Layer 2 interface (port ACL).
Step 4	mac access-group {<i>name</i>} {in out } Example: Switch(config-if)# mac access-group mac1 in	Controls access to the specified interface by using the MAC access list. Port ACLs are supported in the outbound and inbound directions .
Step 5	end Example: Switch(config-if)# end	Returns to privileged EXEC mode.

	Command or Action	Purpose
Step 6	show mac access-group [<i>interface interface-id</i>] Example: Switch# show mac access-group interface gigabitethernet1/0/2	Displays the MAC access list applied to the interface or all Layer 2 interfaces.
Step 7	show running-config Example: Switch# show running-config	Verifies your entries.
Step 8	copy running-config startup-config Example: Switch# copy running-config startup-config	(Optional) Saves your entries in the configuration file.

After receiving a packet, the switch checks it against the inbound ACL. If the ACL permits it, the switch continues to process the packet. If the ACL rejects the packet, the switch discards it. When you apply an undefined ACL to an interface, the switch acts as if the ACL has not been applied and permits all packets. Remember this behavior if you use undefined ACLs for network security.

Related Topics

[Restrictions for Configuring IPv4 Access Control Lists, on page 148](#)

Configuring VLAN Maps

To create a VLAN map and apply it to one or more VLANs, perform these steps:

Before You Begin

Create the standard or extended IPv4 ACLs or named MAC extended ACLs that you want to apply to the VLAN.

SUMMARY STEPS

1. **vlan access-map** *name* [**number**]
2. **match** {**ip** | **mac**} **address** {*name* | *number*} [*name* | *number*]
3. Enter one of the following commands to specify an IP packet or a non-IP packet (with only a known MAC address) and to match the packet against one or more ACLs (standard or extended):

- **action** { **forward** }

```
Switch(config-access-map)# action forward
```

- **action** { **drop** }

```
Switch(config-access-map)# action drop
```

4. **vlan filter** *mapname* **vlan-list** *list*

DETAILED STEPS

	Command or Action	Purpose
Step 1	vlan access-map <i>name</i> [number] Example: <pre>Switch(config)# vlan access-map map_1 20</pre>	<p>Creates a VLAN map, and give it a name and (optionally) a number. The number is the sequence number of the entry within the map.</p> <p>When you create VLAN maps with the same name, numbers are assigned sequentially in increments of 10. When modifying or deleting maps, you can enter the number of the map entry that you want to modify or delete.</p> <p>VLAN maps do not use the specific permit or deny keywords. To deny a packet by using VLAN maps, create an ACL that would match the packet, and set the action to drop. A permit in the ACL counts as a match. A deny in the ACL means no match.</p> <p>Entering this command changes to access-map configuration mode.</p>
Step 2	match { ip mac } address { <i>name</i> <i>number</i> } [<i>name</i> <i>number</i>] Example: <pre>Switch(config-access-map)# match ip address ip2</pre>	<p>Match the packet (using either the IP or MAC address) against one or more standard or extended access lists. Note that packets are only matched against access lists of the correct protocol type. IP packets are matched against standard or extended IP access lists. Non-IP packets are only matched against named MAC extended access lists.</p> <p>Note If the VLAN map is configured with a match clause for a type of packet (IP or MAC) and the map action is drop, all packets that match the type are dropped. If the VLAN map has no match clause, and the configured action is drop, all IP and Layer 2 packets are dropped.</p>
Step 3	Enter one of the following commands to specify an IP packet or a non-IP packet (with only a known MAC address) and to match the packet against one or more ACLs (standard or extended):	Sets the action for the map entry.

	Command or Action	Purpose
	<ul style="list-style-type: none"> • action { forward} <pre>Switch(config-access-map) # action forward</pre> <ul style="list-style-type: none"> • action { drop} <pre>Switch(config-access-map) # action drop</pre>	
Step 4	<p>vlan filter <i>mapname</i> vlan-list <i>list</i></p> <p>Example:</p> <pre>Switch(config)# vlan filter map 1 vlan-list 20-22</pre>	<p>Applies the VLAN map to one or more VLAN IDs.</p> <p>The list can be a single VLAN ID (22), a consecutive list (10-22), or a string of VLAN IDs (12, 22, 30). Spaces around the comma and hyphen are optional.</p>

Related Topics

- [Creating a Numbered Standard ACL, on page 163](#)
- [Creating a Numbered Extended ACL, on page 164](#)
- [Creating Named MAC Extended ACLs, on page 176](#)
- [Creating a VLAN Map, on page 182](#)
- [Applying a VLAN Map to a VLAN, on page 184](#)

Creating a VLAN Map

Each VLAN map consists of an ordered series of entries. Beginning in privileged EXEC mode, follow these steps to create, add to, or delete a VLAN map entry:

SUMMARY STEPS

1. **configure terminal**
2. **vlan access-map** *name* [**number**]
3. **match** {**ip** | **mac**} **address** {*name* | *number*} [*name* | *number*]
4. **action** {**drop** | **forward**}
5. **end**
6. **show running-config**
7. **copy running-config startup-config**

DETAILED STEPS

	Command or Action	Purpose
Step 1	<p>configure terminal</p> <p>Example:</p> <pre>Switch# configure terminal</pre>	Enters global configuration mode.
Step 2	<p>vlan access-map <i>name</i> [<i>number</i>]</p> <p>Example:</p> <pre>Switch(config)# vlan access-map map_1 20</pre>	<p>Creates a VLAN map, and give it a name and (optionally) a number. The number is the sequence number of the entry within the map.</p> <p>When you create VLAN maps with the same name, numbers are assigned sequentially in increments of 10. When modifying or deleting maps, you can enter the number of the map entry that you want to modify or delete.</p> <p>VLAN maps do not use the specific permit or deny keywords. To deny a packet by using VLAN maps, create an ACL that would match the packet, and set the action to drop. A permit in the ACL counts as a match. A deny in the ACL means no match.</p> <p>Entering this command changes to access-map configuration mode.</p>
Step 3	<p>match {ip mac} address {<i>name</i> <i>number</i>} [<i>name</i> <i>number</i>]</p> <p>Example:</p> <pre>Switch(config-access-map)# match ip address ip2</pre>	Match the packet (using either the IP or MAC address) against one or more standard or extended access lists. Note that packets are only matched against access lists of the correct protocol type. IP packets are matched against standard or extended IP access lists. Non-IP packets are only matched against named MAC extended access lists.
Step 4	<p>action {drop forward}</p> <p>Example:</p> <pre>Switch(config-access-map)# action forward</pre>	(Optional) Sets the action for the map entry. The default is to forward.
Step 5	<p>end</p> <p>Example:</p> <pre>Switch(config-access-map)# end</pre>	Returns to global configuration mode.
Step 6	<p>show running-config</p> <p>Example:</p> <pre>Switch# show running-config</pre>	Displays the access list configuration.

	Command or Action	Purpose
Step 7	copy running-config startup-config Example: Switch# copy running-config startup-config	(Optional) Saves your entries in the configuration file.

Related Topics

[Configuring VLAN Maps, on page 180](#)

Applying a VLAN Map to a VLAN

Beginning in privileged EXEC mode, follow these steps to apply a VLAN map to one or more VLANs:

SUMMARY STEPS

1. **enable**
2. **configure terminal**
3. **vlan filter mapname vlan-list list**
4. **end**
5. **show running-config**
6. **copy running-config startup-config**

DETAILED STEPS

	Command or Action	Purpose
Step 1	enable Example: Switch> enable	Enables privileged EXEC mode. Enter your password if prompted.
Step 2	configure terminal Example: Switch# configure terminal	Enters the global configuration mode.
Step 3	vlan filter mapname vlan-list list	Applies the VLAN map to one or more VLAN IDs.

	Command or Action	Purpose
	Example: <pre>Switch(config)# vlan filter map 1 vlan-list 20-22</pre>	The list can be a single VLAN ID (22), a consecutive list (10-22), or a string of VLAN IDs (12, 22, 30). Spaces around the comma and hyphen are optional.
Step 4	end Example: <pre>Switch(config)# end</pre>	Returns to privileged EXEC mode.
Step 5	show running-config Example: <pre>Switch# show running-config</pre>	Displays the access list configuration.
Step 6	copy running-config startup-config Example: <pre>Switch# copy running-config startup-config</pre>	(Optional) Saves your entries in the configuration file.

Related Topics

[Configuring VLAN Maps, on page 180](#)

Configuring VACL Logging

Beginning in privileged EXEC mode:

SUMMARY STEPS

1. **configure terminal**
2. **vlan access-map name** [*number*]
3. **action drop log**
4. **exit**
5. **vlan access-log** {**maxflow** *max_number* | **threshold** *pkt_count*}
6. **end**

DETAILED STEPS

	Command or Action	Purpose
Step 1	configure terminal Example: Switch# configure terminal	Enters the global configuration mode.
Step 2	vlan access-map name [number] Example: Switch(config)# vlan access-map gandymede 10	<p>Creates a VLAN map. Give it a name and optionally a number. The number is the sequence number of the entry within the map.</p> <p>The sequence number range is from 0 to 65535.</p> <p>When you create VLAN maps with the same name, numbers are assigned sequentially in increments of 10. When modifying or deleting maps, you can enter the number of the map entry that you want to modify or delete.</p> <p>Specifying the map name and optionally a number enters the access-map configuration mode.</p>
Step 3	action drop log Example: Switch(config-access-map)# action drop log	Sets the VLAN access map to drop and log IP packets.
Step 4	exit Example: Switch(config-access-map)# exit	Exits the VLAN access map configuration mode and return to the global configuration mode.
Step 5	vlan access-log {maxflow max_number threshold pkt_count} Example: Switch(config)# vlan access-log threshold 4000	<p>Configures the VACL logging parameters.</p> <ul style="list-style-type: none"> • maxflow max_number—Sets the log table size. The content of the log table can be deleted by setting the maxflow to 0. When the log table is full, the software drops logged packets from new flows. The range is from 0 to 2048. The default is 500. • threshold pkt_count—Sets the logging threshold. A logging message is generated if the threshold for a flow is reached before the 5-minute interval. The threshold range is from 0 to 2147483647. The default threshold is 0, which means that a syslog message is generated every 5 minutes.

	Command or Action	Purpose
Step 6	end Example: Switch(config)# end	Returns to privileged EXEC mode.

Monitoring IPv4 ACLs

You can monitor IPv4 ACLs by displaying the ACLs that are configured on the switch, and displaying the ACLs that have been applied to interfaces and VLANs.

When you use the **ip access-group** interface configuration command to apply ACLs to a Layer 2 or 3 interface, you can display the access groups on the interface. You can also display the MAC ACLs applied to a Layer 2 interface. You can use the privileged EXEC commands as described in this table to display this information.

Table 19: Commands for Displaying Access Lists and Access Groups

Command	Purpose
show access-lists [<i>number</i> <i>name</i>]	Displays the contents of one or all current IP and MAC address access lists or a specific access list (numbered or named).
show ip access-lists [<i>number</i> <i>name</i>]	Displays the contents of all current IP access lists or a specific IP access list (numbered or named).
show ip interface <i>interface-id</i>	Displays detailed configuration and status of an interface. If IP is enabled on the interface and ACLs have been applied by using the ip access-group interface configuration command, the access groups are included in the display.
show running-config [interface <i>interface-id</i>]	Displays the contents of the configuration file for the switch or the specified interface, including all configured MAC and IP access lists and which access groups are applied to an interface.
show mac access-group [interface <i>interface-id</i>]	Displays MAC access lists applied to all Layer 2 interfaces or the specified Layer 2 interface.

Configuration Examples for ACLs

Examples: Using Time Ranges with ACLs

This example shows how to verify after you configure time ranges for *workhours* and to configure January 1, 2006, as a company holiday.

```
Switch# show time-range
time-range entry: new_year_day_2003 (inactive)
    absolute start 00:00 01 January 2006 end 23:59 01 January 2006
time-range entry: workhours (inactive)
    periodic weekdays 8:00 to 12:00
    periodic weekdays 13:00 to 17:00
```

To apply a time range, enter the time-range name in an extended ACL that can implement time ranges. This example shows how to create and verify extended access list 188 that denies TCP traffic from any source to any destination during the defined holiday times and permits all TCP traffic during work hours.

```
Switch(config)# access-list 188 deny tcp any any time-range new_year_day_2006
Switch(config)# access-list 188 permit tcp any any time-range workhours
Switch(config)# end
Switch# show access-lists
Extended IP access list 188
  10 deny tcp any any time-range new_year_day_2006 (inactive)
  20 permit tcp any any time-range workhours (inactive)
```

This example uses named ACLs to permit and deny the same traffic.

```
Switch(config)# ip access-list extended deny_access
Switch(config-ext-nacl)# deny tcp any any time-range new_year_day_2006
Switch(config-ext-nacl)# exit
Switch(config)# ip access-list extended may_access
Switch(config-ext-nacl)# permit tcp any any time-range workhours
Switch(config-ext-nacl)# end
Switch# show ip access-lists
Extended IP access list lpip_default
  10 permit ip any any
Extended IP access list deny_access
  10 deny tcp any any time-range new_year_day_2006 (inactive)
Extended IP access list may_access
  10 permit tcp any any time-range workhours (inactive)
```

Examples: Including Comments in ACLs

You can use the **remark** keyword to include comments (remarks) about entries in any IP standard or extended ACL. The remarks make the ACL easier for you to understand and scan. Each remark line is limited to 100 characters.

The remark can go before or after a permit or deny statement. You should be consistent about where you put the remark so that it is clear which remark describes which permit or deny statement. For example, it would be confusing to have some remarks before the associated permit or deny statements and some remarks after the associated statements.

To include a comment for IP numbered standard or extended ACLs, use the **access-list access-list number remark remark** global configuration command. To remove the remark, use the **no** form of this command.

In this example, the workstation that belongs to Jones is allowed access, and the workstation that belongs to Smith is not allowed access:

```
Switch(config)# access-list 1 remark Permit only Jones workstation through
Switch(config)# access-list 1 permit 171.69.2.88
Switch(config)# access-list 1 remark Do not allow Smith through
Switch(config)# access-list 1 deny 171.69.3.13
```

For an entry in a named IP ACL, use the **remark** access-list configuration command. To remove the remark, use the **no** form of this command.

In this example, the Jones subnet is not allowed to use outbound Telnet:

```
Switch(config)# ip access-list extended telnetting
Switch(config-ext-nacl)# remark Do not allow Jones subnet to telnet out
Switch(config-ext-nacl)# deny tcp host 171.69.2.88 any eq telnet
```

Examples: Troubleshooting ACLs

If this ACL manager message appears and [chars] is the access-list name,

```
ACLMGR-2-NOVMR: Cannot generate hardware representation of access list [chars]
```

The switch has insufficient resources to create a hardware representation of the ACL. The resources include hardware memory and label space but not CPU memory. A lack of available logical operation units or specialized hardware resources causes this problem. Logical operation units are needed for a TCP flag match or a test other than **eq** (**ne**, **gt**, **lt**, or **range**) on TCP, UDP, or SCTP port numbers.

Use one of these workarounds:

- Modify the ACL configuration to use fewer resources.
- Rename the ACL with a name or number that alphanumerically precedes the ACL names or numbers.

To determine the specialized hardware resources, enter the **show platform layer4 acl** map privileged EXEC command. If the switch does not have available resources, the output shows that index 0 to index 15 are not available.

For more information about configuring ACLs with insufficient resources, see CSCsq63926 in the Bug Toolkit.

For example, if you apply this ACL to an interface:

```
permit tcp source source-wildcard destination destination-wildcard range 5 60
permit tcp source source-wildcard destination destination-wildcard range 15 160
permit tcp source source-wildcard destination destination-wildcard range 115 1660
permit tcp source source-wildcard destination destination-wildcard
```

And if this message appears:

```
ACLMGR-2-NOVMR: Cannot generate hardware representation of access list [chars]
```

The flag-related operators are not available. To avoid this issue,

- Move the fourth ACE before the first ACE by using **ip access-list resequence** global configuration command:

```
permit tcp source source-wildcard destination destination-wildcard
permit tcp source source-wildcard destination destination-wildcard range 5 60
```

```

permit tcp source source-wildcard destination destination-wildcard range 15 160
permit tcp source source-wildcard destination destination-wildcard range 115 1660

```

or

- Rename the ACL with a name or number that alphanumerically precedes the other ACLs (for example, rename ACL 79 to ACL 1).

You can now apply the first ACE in the ACL to the interface. The switch allocates the ACE to available mapping bits in the Opselect index and then allocates flag-related operators to use the same bits in the hardware memory.

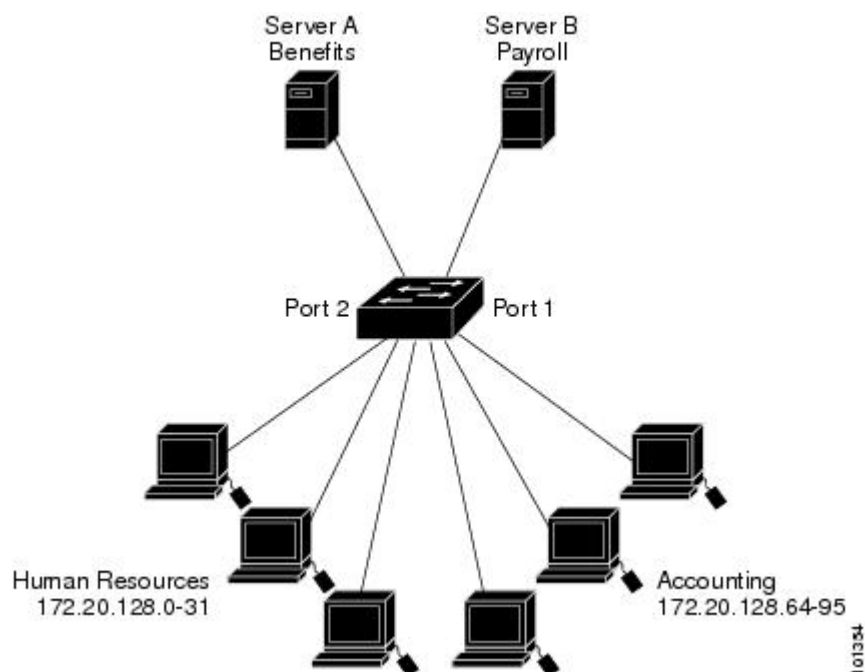
IPv4 ACL Configuration Examples

This section provides examples of configuring and applying IPv4 ACLs. For detailed information about compiling ACLs, see the *Cisco IOS Security Configuration Guide, Release 12.4* and to the “Configuring IP Services” section in the “IP Addressing and Services” chapter of the *Cisco IOS IP Configuration Guide, Release 12.4*.

ACLs in a Small Networked Office

This shows a small networked office environment with routed Port 2 connected to Server A, containing benefits and other information that all employees can access, and routed Port 1 connected to Server B, containing confidential payroll data. All users can access Server A, but Server B has restricted access.

Figure 6: Using Router ACLs to Control Traffic



Use router ACLs to do this in one of two ways:

- Create a standard ACL, and filter traffic coming to the server from Port 1.
- Create an extended ACL, and filter traffic coming from the server into Port 1.

Examples: ACLs in a Small Networked Office

This example uses a standard ACL to filter traffic coming into Server B from a port, permitting traffic only from Accounting's source addresses 172.20.128.64 to 172.20.128.95. The ACL is applied to traffic coming out of routed Port 1 from the specified source address.

```
Switch(config)# access-list 6 permit 172.20.128.64 0.0.0.31
Switch(config)# end
Switch# show access-lists
Standard IP access list 6
 10 permit 172.20.128.64, wildcard bits 0.0.0.31
Switch(config)# interface gigabitethernet1/0/1
Switch(config-if)# ip access-group 6 out
```

This example uses an extended ACL to filter traffic coming from Server B into a port, permitting traffic from any source address (in this case Server B) to only the Accounting destination addresses 172.20.128.64 to 172.20.128.95. The ACL is applied to traffic going into routed Port 1, permitting it to go only to the specified destination addresses. Note that with extended ACLs, you must enter the protocol (IP) before the source and destination information.

```
Switch(config)# access-list 106 permit ip any 172.20.128.64 0.0.0.31
Switch(config)# end
Switch# show access-lists
Extended IP access list 106
 10 permit ip any 172.20.128.64 0.0.0.31
Switch(config)# interface gigabitethernet1/0/1
Switch(config-if)# ip access-group 106 in
```

Example: Numbered ACLs

In this example, network 36.0.0.0 is a Class A network whose second octet specifies a subnet; that is, its subnet mask is 255.255.0.0. The third and fourth octets of a network 36.0.0.0 address specify a particular host. Using access list 2, the switch accepts one address on subnet 48 and reject all others on that subnet. The last line of the list shows that the switch accepts addresses on all other network 36.0.0.0 subnets. The ACL is applied to packets entering a port.

```
Switch(config)# access-list 2 permit 36.48.0.3
Switch(config)# access-list 2 deny 36.48.0.0 0.0.255.255
Switch(config)# access-list 2 permit 36.0.0.0 0.255.255.255
Switch(config)# interface gigabitethernet2/0/1
Switch(config-if)# ip access-group 2 in
```

Examples: Extended ACLs

In this example, the first line permits any incoming TCP connections with destination ports greater than 1023. The second line permits incoming TCP connections to the Simple Mail Transfer Protocol (SMTP) port of host 128.88.1.2. The third line permits incoming ICMP messages for error feedback.

```
Switch(config)# access-list 102 permit tcp any 128.88.0.0 0.0.255.255 gt 1023
Switch(config)# access-list 102 permit tcp any host 128.88.1.2 eq 25
```

```
Switch(config)# access-list 102 permit icmp any any
Switch(config)# interface gigabitethernet2/0/1
Switch(config-if)# ip access-group 102 in
```

In this example, suppose that you have a network connected to the Internet, and you want any host on the network to be able to form TCP connections to any host on the Internet. However, you do not want IP hosts to be able to form TCP connections to hosts on your network, except to the mail (SMTP) port of a dedicated mail host.

SMTP uses TCP port 25 on one end of the connection and a random port number on the other end. The same port numbers are used throughout the life of the connection. Mail packets coming in from the Internet have a destination port of 25. Outbound packets have the port numbers reversed. Because the secure system of the network always accepts mail connections on port 25, the incoming and outgoing services are separately controlled. The ACL must be configured as an input ACL on the outbound interface and an output ACL on the inbound interface.

```
Switch(config)# access-list 102 permit tcp any 128.88.0.0 0.0.255.255 eq 23
Switch(config)# access-list 102 permit tcp any 128.88.0.0 0.0.255.255 eq 25
Switch(config)# interface gigabitethernet1/0/1
Switch(config-if)# ip access-group 102 in
```

In this example, the network is a Class B network with the address 128.88.0.0, and the mail host address is 128.88.1.2. The **established** keyword is used only for the TCP to show an established connection. A match occurs if the TCP datagram has the ACK or RST bits set, which show that the packet belongs to an existing connection. Gigabit Ethernet interface 1 on stack member 1 is the interface that connects the router to the Internet.

```
Switch(config)# access-list 102 permit tcp any 128.88.0.0 0.0.255.255 established
Switch(config)# access-list 102 permit tcp any host 128.88.1.2 eq 25
Switch(config)# interface gigabitethernet1/0/1
Switch(config-if)# ip access-group 102 in
```

Examples: Named ACLs

Creating named standard and extended ACLs

This example creates a standard ACL named *internet_filter* and an extended ACL named *marketing_group*. The *internet_filter* ACL allows all traffic from the source address 1.2.3.4.

```
Switch(config)# ip access-list standard Internet_filter
Switch(config-ext-nacl)# permit 1.2.3.4
Switch(config-ext-nacl)# exit
```

The *marketing_group* ACL allows any TCP Telnet traffic to the destination address and wildcard 171.69.0.0 0.0.255.255 and denies any other TCP traffic. It permits ICMP traffic, denies UDP traffic from any source to the destination address range 171.69.0.0 through 179.69.255.255 with a destination port less than 1024, denies any other IP traffic, and provides a log of the result.

```
Switch(config)# ip access-list extended marketing_group
Switch(config-ext-nacl)# permit tcp any 171.69.0.0 0.0.255.255 eq telnet
Switch(config-ext-nacl)# deny tcp any any
Switch(config-ext-nacl)# permit icmp any any
Switch(config-ext-nacl)# deny udp any 171.69.0.0 0.0.255.255 lt 1024
Switch(config-ext-nacl)# deny ip any any log
Switch(config-ext-nacl)# exit
```

The *Internet_filter* ACL is applied to outgoing traffic and the *marketing_group* ACL is applied to incoming traffic on a Layer 3 port.

```
Switch(config)# interface gigabitethernet3/0/2
Switch(config-if)# no switchport
Switch(config-if)# ip address 2.0.5.1 255.255.255.0
Switch(config-if)# ip access-group Internet_filter out
Switch(config-if)# ip access-group marketing_group in
```

Deleting individual ACEs from named ACLs

This example shows how you can delete individual ACEs from the named access list *border-list*:

```
Switch(config)# ip access-list extended border-list
Switch(config-ext-nacl)# no permit ip host 10.1.1.3 any
```

Examples: Time Range Applied to an IP ACL

This example denies HTTP traffic on IP on Monday through Friday between the hours of 8:00 a.m. and 6:00 p.m (18:00). The example allows UDP traffic only on Saturday and Sunday from noon to 8:00 p.m. (20:00).

```
Switch(config)# time-range no-http
Switch(config)# periodic weekdays 8:00 to 18:00
!
Switch(config)# time-range udp-yes
Switch(config)# periodic weekend 12:00 to 20:00
!
Switch(config)# ip access-list extended strict
Switch(config-ext-nacl)# deny tcp any any eq www time-range no-http
Switch(config-ext-nacl)# permit udp any any time-range udp-yes
!
Switch(config-ext-nacl)# exit
Switch(config)# interface gigabitethernet2/0/1
Switch(config-if)# ip access-group strict in
```

Examples: Configuring Commented IP ACL Entries

In this example of a numbered ACL, the workstation that belongs to Jones is allowed access, and the workstation that belongs to Smith is not allowed access:

```
Switch(config)# access-list 1 remark Permit only Jones workstation through
Switch(config)# access-list 1 permit 171.69.2.88
Switch(config)# access-list 1 remark Do not allow Smith workstation through
Switch(config)# access-list 1 deny 171.69.3.13
```

In this example of a numbered ACL, the Winter and Smith workstations are not allowed to browse the web:

```
Switch(config)# access-list 100 remark Do not allow Winter to browse the web
Switch(config)# access-list 100 deny host 171.69.3.85 any eq www
Switch(config)# access-list 100 remark Do not allow Smith to browse the web
Switch(config)# access-list 100 deny host 171.69.3.13 any eq www
```

In this example of a named ACL, the Jones subnet is not allowed access:

```
Switch(config)# ip access-list standard prevention
Switch(config-std-nacl)# remark Do not allow Jones subnet through
```

```
Switch(config-std-nacl)# deny 171.69.0.0 0.0.255.255
```

In this example of a named ACL, the Jones subnet is not allowed to use outbound Telnet:

```
Switch(config)# ip access-list extended telnetting
Switch(config-ext-nacl)# remark Do not allow Jones subnet to telnet out
Switch(config-ext-nacl)# deny tcp 171.69.0.0 0.0.255.255 any eq telnet
```

Examples: ACL Logging

Two variations of logging are supported on router ACLs. The **log** keyword sends an informational logging message to the console about the packet that matches the entry; the **log-input** keyword includes the input interface in the log entry.

In this example, standard named access list *stan1* denies traffic from 10.1.1.0 0.0.0.255, allows traffic from all other sources, and includes the **log** keyword.

```
Switch(config)# ip access-list standard stan1
Switch(config-std-nacl)# deny 10.1.1.0 0.0.0.255 log
Switch(config-std-nacl)# permit any log
Switch(config-std-nacl)# exit
Switch(config)# interface gigabitethernet1/0/1
Switch(config-if)# ip access-group stan1 in
Switch(config-if)# end
Switch# show logging
Syslog logging: enabled (0 messages dropped, 0 flushes, 0 overruns)
  Console logging: level debugging, 37 messages logged
  Monitor logging: level debugging, 0 messages logged
  Buffer logging: level debugging, 37 messages logged
  File logging: disabled
  Trap logging: level debugging, 39 message lines logged
```

Log Buffer (4096 bytes):

```
00:00:48: NTP: authentication delay calculation problems
```

<output truncated>

```
00:09:34:%SEC-6-IPACCESSLOGS:list stan1 permitted 0.0.0.0 1 packet
00:09:59:%SEC-6-IPACCESSLOGS:list stan1 denied 10.1.1.15 1 packet
00:10:11:%SEC-6-IPACCESSLOGS:list stan1 permitted 0.0.0.0 1 packet
```

This example is a named extended access list *ext1* that permits ICMP packets from any source to 10.1.1.0 0.0.0.255 and denies all UDP packets.

```
Switch(config)# ip access-list extended ext1
Switch(config-ext-nacl)# permit icmp any 10.1.1.0 0.0.0.255 log
Switch(config-ext-nacl)# deny udp any any log
Switch(config-std-nacl)# exit
Switch(config)# interface gigabitethernet1/0/2
Switch(config-if)# ip access-group ext1 in
```

This is an example of a log for an extended ACL:

```
01:24:23:%SEC-6-IPACCESSLOGDP:list ext1 permitted icmp 10.1.1.15 -> 10.1.1.61 (0/0), 1
packet
01:25:14:%SEC-6-IPACCESSLOGDP:list ext1 permitted icmp 10.1.1.15 -> 10.1.1.61 (0/0), 7
packets
01:26:12:%SEC-6-IPACCESSLOGP:list ext1 denied udp 0.0.0.0(0) -> 255.255.255.255(0), 1 packet
01:31:33:%SEC-6-IPACCESSLOGP:list ext1 denied udp 0.0.0.0(0) -> 255.255.255.255(0), 8 packets
```

Note that all logging entries for IP ACLs start with %SEC-6-IPACCESSLOG with minor variations in format depending on the kind of ACL and the access entry that has been matched.

This is an example of an output message when the **log-input** keyword is entered:

```
00:04:21:%SEC-6-IPACCESSLOGDP:list inputlog permitted icmp 10.1.1.10 (Vlan1 0001.42ef.a400)
->
10.1.1.61 (0/0), 1 packet
```

A log message for the same sort of packet using the **log** keyword does not include the input interface information:

```
00:05:47:%SEC-6-IPACCESSLOGDP:list inputlog permitted icmp 10.1.1.10 -> 10.1.1.61 (0/0), 1
packet
```

Configuration Examples for ACLs and VLAN Maps

Example: Creating an ACL and a VLAN Map to Deny a Packet

This example shows how to create an ACL and a VLAN map to deny a packet. In the first map, any packets that match the *ip1* ACL (TCP packets) would be dropped. You first create the *ip1* ACL to permit any TCP packet and no other packets. Because there is a match clause for IP packets in the VLAN map, the default action is to drop any IP packet that does not match any of the match clauses.

```
Switch(config)# ip access-list extended ip1
Switch(config-ext-nacl)# permit tcp any any
Switch(config-ext-nacl)# exit
Switch(config)# vlan access-map map_1 10
Switch(config-access-map)# match ip address ip1
Switch(config-access-map)# action drop
```

Example: Creating an ACL and a VLAN Map to Permit a Packet

This example shows how to create a VLAN map to permit a packet. ACL *ip2* permits UDP packets and any packets that match the *ip2* ACL are forwarded. In this map, any IP packets that did not match any of the previous ACLs (that is, packets that are not TCP packets or UDP packets) would get dropped.

```
Switch(config)# ip access-list extended ip2
Switch(config-ext-nacl)# permit udp any any
Switch(config-ext-nacl)# exit
Switch(config)# vlan access-map map_1 20
Switch(config-access-map)# match ip address ip2
Switch(config-access-map)# action forward
```

Example: Default Action of Dropping IP Packets and Forwarding MAC Packets

In this example, the VLAN map has a default action of drop for IP packets and a default action of forward for MAC packets. Used with standard ACL 101 and extended named access lists **igmp-match** and **tcp-match**, the map will have the following results:

- Forward all UDP packets
- Drop all IGMP packets
- Forward all TCP packets

- Drop all other IP packets
- Forward all non-IP packets

```
Switch(config)# access-list 101 permit udp any any
Switch(config)# ip access-list extended igmp-match
Switch(config-ext-nacl)# permit igmp any any
```

```
Switch(config-ext-nacl)# permit tcp any any
Switch(config-ext-nacl)# exit
Switch(config)# vlan access-map drop-ip-default 10
Switch(config-access-map)# match ip address 101
Switch(config-access-map)# action forward
Switch(config-access-map)# exit
Switch(config)# vlan access-map drop-ip-default 20
Switch(config-access-map)# match ip address igmp-match
Switch(config-access-map)# action drop
Switch(config-access-map)# exit
Switch(config)# vlan access-map drop-ip-default 30
Switch(config-access-map)# match ip address tcp-match
Switch(config-access-map)# action forward
```

Example: Default Action of Dropping MAC Packets and Forwarding IP Packets

In this example, the VLAN map has a default action of drop for MAC packets and a default action of forward for IP packets. Used with MAC extended access lists **good-hosts** and **good-protocols**, the map will have the following results:

- Forward MAC packets from hosts 0000.0c00.0111 and 0000.0c00.0211
- Forward MAC packets with decnet-iv or vines-ip protocols
- Drop all other non-IP packets
- Forward all IP packets

Example: Default Action of Dropping All Packets

In this example, the VLAN map has a default action of drop for all packets (IP and non-IP). Used with access lists **tcp-match** and **good-hosts** from Examples 2 and 3, the map will have the following results:

- Forward all TCP packets
- Forward MAC packets from hosts 0000.0c00.0111 and 0000.0c00.0211
- Drop all other IP packets
- Drop all other MAC packets

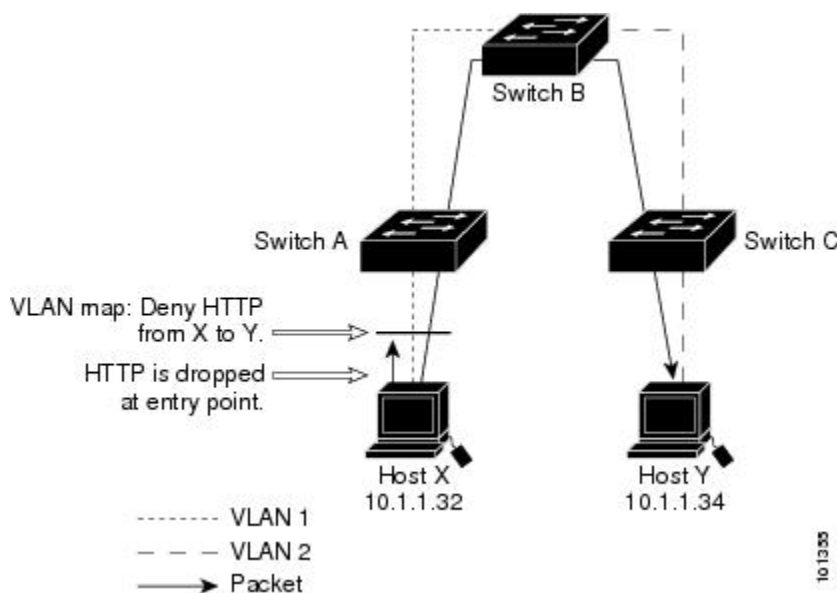
```
Switch(config)# vlan access-map drop-all-default 10
Switch(config-access-map)# match ip address tcp-match
Switch(config-access-map)# action forward
Switch(config-access-map)# exit
Switch(config)# vlan access-map drop-all-default 20
Switch(config-access-map)# match mac address good-hosts
Switch(config-access-map)# action forward
```

Configuration Examples for Using VLAN Maps in Your Network

Example: Wiring Closet Configuration

In a wiring closet configuration, routing might not be enabled on the switch. In this configuration, the switch can still support a VLAN map and a QoS classification ACL. Assume that Host X and Host Y are in different VLANs and are connected to wiring closet switches A and C. Traffic from Host X to Host Y is eventually being routed by Switch B, a Layer 3 switch with routing enabled. Traffic from Host X to Host Y can be access-controlled at the traffic entry point, Switch A.

Figure 7: Wiring Closet Configuration



If you do not want HTTP traffic switched from Host X to Host Y, you can configure a VLAN map on Switch A to drop all HTTP traffic from Host X (IP address 10.1.1.32) to Host Y (IP address 10.1.1.34) at Switch A and not bridge it to Switch B.

First, define the IP access list *http* that permits (matches) any TCP traffic on the HTTP port.

```
Switch(config)# ip access-list extended http
Switch(config-ext-nacl)# permit tcp host 10.1.1.32 host 10.1.1.34 eq www
Switch(config-ext-nacl)# exit
```

Next, create VLAN access map *map2* so that traffic that matches the *http* access list is dropped and all other IP traffic is forwarded.

```
Switch(config)# vlan access-map map2 10
Switch(config-access-map)# match ip address http
Switch(config-access-map)# action drop
Switch(config-access-map)# exit
Switch(config)# ip access-list extended match_all
Switch(config-ext-nacl)# permit ip any any
Switch(config-ext-nacl)# exit
Switch(config)# vlan access-map map2 20
```

```
Switch(config-access-map)# match ip address match_all
Switch(config-access-map)# action forward
```

Then, apply VLAN access map *map2* to VLAN 1.

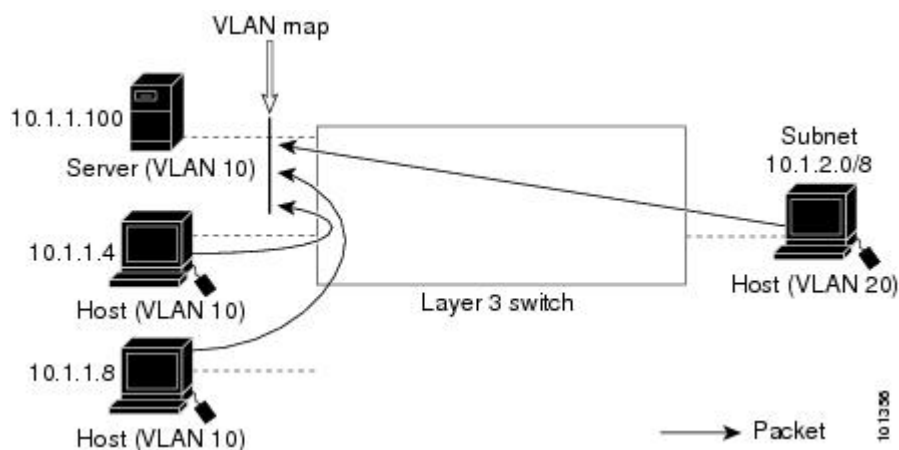
```
Switch(config)# vlan filter map2 vlan 1
```

Example: Restricting Access to a Server on Another VLAN

You can restrict access to a server on another VLAN. For example, server 10.1.1.100 in VLAN 10 needs to have access denied to these hosts:

- Hosts in subnet 10.1.2.0/8 in VLAN 20 should not have access.
- Hosts 10.1.1.4 and 10.1.1.8 in VLAN 10 should not have access.

Figure 8: Restricting Access to a Server on Another VLAN



Example: Denying Access to a Server on Another VLAN

This example shows how to deny access to a server on another VLAN by creating the VLAN map SERVER1 that denies access to hosts in subnet 10.1.2.0.8, host 10.1.1.4, and host 10.1.1.8 and permits other IP traffic. The final step is to apply the map SERVER1 to VLAN 10.

Define the IP ACL that will match the correct packets.

```
Switch(config)# ip access-list extended SERVER1_ACL
Switch(config-ext-nacl)# permit ip 10.1.2.0 0.0.0.255 host 10.1.1.100
Switch(config-ext-nacl)# permit ip host 10.1.1.4 host 10.1.1.100
Switch(config-ext-nacl)# permit ip host 10.1.1.8 host 10.1.1.100
Switch(config-ext-nacl)# exit
```

Define a VLAN map using this ACL that will drop IP packets that match SERVER1_ACL and forward IP packets that do not match the ACL.

```
Switch(config)# vlan access-map SERVER1_MAP
Switch(config-access-map)# match ip address SERVER1_ACL
Switch(config-access-map)# action drop
```

```
Switch(config)# vlan access-map SERVER1_MAP 20
Switch(config-access-map)# action forward
Switch(config-access-map)# exit
```

Apply the VLAN map to VLAN 10.

```
Switch(config)# vlan filter SERVER1_MAP vlan-list 10
```

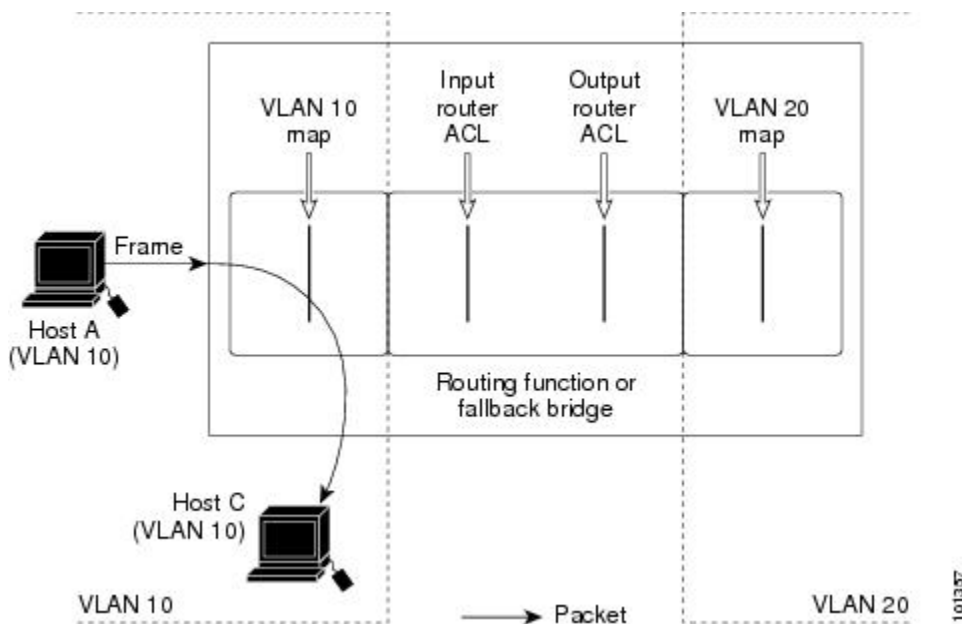
Configuration Examples of Router ACLs and VLAN Maps Applied to VLANs

This section gives examples of applying router ACLs and VLAN maps to a VLAN for switched, bridged, routed, and multicast packets. Although the following illustrations show packets being forwarded to their destination, each time the packet's path crosses a line indicating a VLAN map or an ACL, it is also possible that the packet might be dropped, rather than forwarded.

Example: ACLs and Switched Packets

This example shows how an ACL is applied on packets that are switched within a VLAN. Packets switched within the VLAN without being routed or forwarded by fallback bridging are only subject to the VLAN map of the input VLAN.

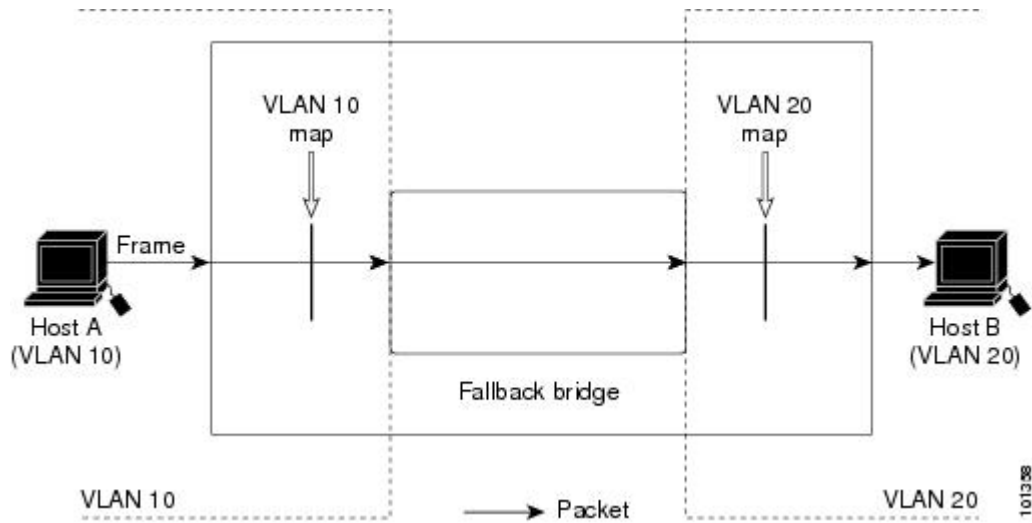
Figure 9: Applying ACLs on Switched Packets



Example: ACLs and Bridged Packets

This example shows how an ACL is applied on fallback-bridged packets. For bridged packets, only Layer 2 ACLs are applied to the input VLAN. Only non-IP, non-ARP packets can be fallback-bridged.

Figure 10: Applying ACLs on Bridged Packets

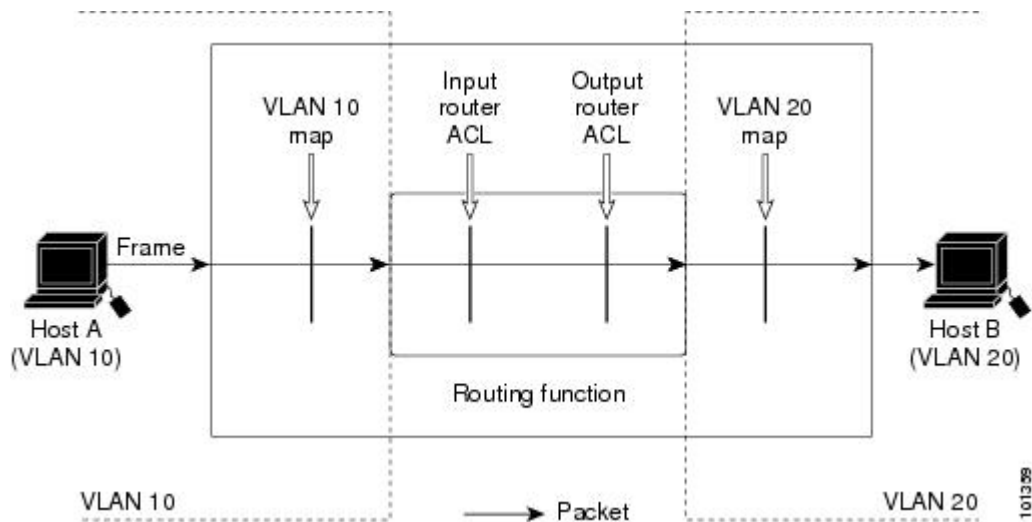


Example: ACLs and Routed Packets

This example shows how ACLs are applied on routed packets. The ACLs are applied in this order:

- 1 VLAN map for input VLAN
- 2 Input router ACL
- 3 Output router ACL
- 4 VLAN map for output VLAN

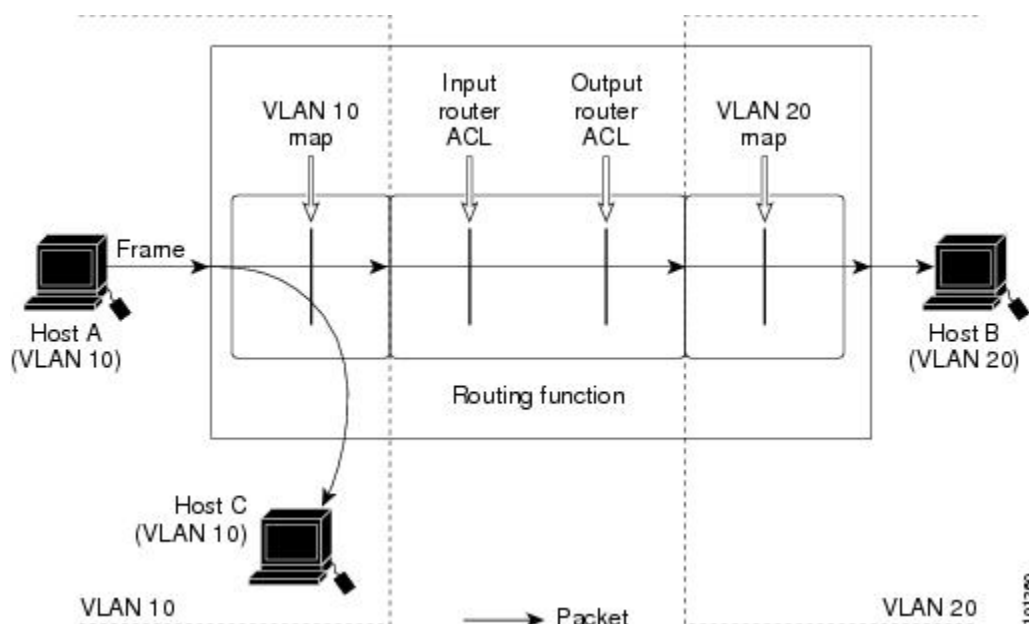
Figure 11: Applying ACLs on Routed Packets



Example: ACLs and Multicast Packets

This example shows how ACLs are applied on packets that are replicated for IP multicasting. A multicast packet being routed has two different kinds of filters applied: one for destinations that are other ports in the input VLAN and another for each of the destinations that are in other VLANs to which the packet has been routed. The packet might be routed to more than one output VLAN, in which case a different router output ACL and VLAN map would apply for each destination VLAN. The final result is that the packet might be permitted in some of the output VLANs and not in others. A copy of the packet is forwarded to those destinations where it is permitted. However, if the input VLAN map drops the packet, no destination receives a copy of the packet.

Figure 12: Applying ACLs on Multicast Packets



Additional References

Related Documents

Related Topic	Document Title
IPv4 Access Control List topics	Securing the Data Plane Configuration Guide Library, Cisco IOS XE Release 3SE (Catalyst 3850 Switches) http://www.cisco.com/en/US/docs/ios-xml/ios/security/config_library/xs-3se/3850/secdata-xe-3se-3850-library.html

Error Message Decoder

Description	Link
To help you research and resolve system error messages in this release, use the Error Message Decoder tool.	https://www.cisco.com/cgi-bin/Support/Errordecoder/index.cgi

MIBs

MIB	MIBs Link
All supported MIBs for this release.	To locate and download MIBs for selected platforms, Cisco IOS releases, and feature sets, use Cisco MIB Locator found at the following URL: http://www.cisco.com/go/mibs

Technical Assistance

Description	Link
<p>The Cisco Support website provides extensive online resources, including documentation and tools for troubleshooting and resolving technical issues with Cisco products and technologies.</p> <p>To receive security and technical information about your products, you can subscribe to various services, such as the Product Alert Tool (accessed from Field Notices), the Cisco Technical Services Newsletter, and Really Simple Syndication (RSS) Feeds.</p> <p>Access to most tools on the Cisco Support website requires a Cisco.com user ID and password.</p>	http://www.cisco.com/support

Feature Information for IPv4 Access Control Lists

Release	Feature Information
Cisco IOS XE 3.3SE Cisco IOS XE 3.3SE	IPv4 Access Control Lists perform packet filtering to control which packets move through the network and where. Such control provides security by helping to limit network traffic, restrict the access of users and devices to the network, and prevent traffic from leaving a network. This feature was introduced.

Release	Feature Information
Cisco IOS 15.2(2)E	<p>The Named ACL Support for Noncontiguous Ports on an Access Control Entry feature allows you to specify noncontiguous ports in a single access control entry, which greatly reduces the number of entries required in an access control list when several entries have the same source address, destination address, and protocol, but differ only in the ports.</p>
Cisco IOS 15.2(2)E	<p>The IP Access List Entry Sequence Numbering feature helps users to apply sequence numbers to permit or deny statements and also reorder, add, or remove such statements from a named IP access list. This feature makes revising IP access lists much easier. Prior to this feature, users could add access list entries to the end of an access list only; therefore needing to add statements anywhere except the end required reconfiguring the access list entirely.</p> <p>The following commands were introduced or modified: deny (IP), ip access-list resequence deny (IP), permit (IP).</p>



Configuring IPv6 ACLs

- [Finding Feature Information, page 205](#)
- [IPv6 ACLs Overview, page 205](#)
- [Restrictions for IPv6 ACLs, page 207](#)
- [Default Configuration for IPv6 ACLs , page 207](#)
- [Configuring IPv6 ACLs, page 208](#)
- [Attaching an IPv6 ACL to an Interface, page 211](#)
- [Monitoring IPv6 ACLs, page 213](#)
- [Additional References, page 214](#)

Finding Feature Information

Your software release may not support all the features documented in this module. For the latest caveats and feature information, see Bug Search Tool and the release notes for your platform and software release. To find information about the features documented in this module, and to see a list of the releases in which each feature is supported, see the feature information table at the end of this module.

Use Cisco Feature Navigator to find information about platform support and Cisco software image support. To access Cisco Feature Navigator, go to <http://www.cisco.com/go/cfn>. An account on Cisco.com is not required.

IPv6 ACLs Overview

You can filter IP Version 6 (IPv6) traffic by creating IPv6 access control lists (ACLs) and applying them to interfaces similar to how you create and apply IP Version 4 (IPv4) named ACLs. You can also create and apply input router ACLs to filter Layer 3 management traffic when the switch is running IP base and LAN base feature sets.

A switch supports three types of IPv6 ACLs:

- IPv6 router ACLs are supported on outbound or inbound traffic on Layer 3 interfaces, which can be routed ports, switch virtual interfaces (SVIs), or Layer 3 EtherChannels. IPv6 router ACLs apply only to IPv6 packets that are routed.
- IPv6 port ACLs are supported on inbound Layer 2 interfaces. IPv6 port ACLs are applied to all IPv6 packets entering the interface.
- VLAN ACLs or VLAN maps access-control all packets in a VLAN. You can use VLAN maps to filter traffic between devices in the same VLAN. ACL VLAN maps are applied on L2 VLANs. VLAN maps are configured to provide access control based on Layer 3 addresses for IPv6. Unsupported protocols are access-controlled through MAC addresses using Ethernet ACEs. After a VLAN map is applied to a VLAN, all packets entering the VLAN are checked against the VLAN map.

The switch does not support VLAN ACLs (VLAN maps) for IPv6 traffic.

You can apply both IPv4 and IPv6 ACLs to an interface. As with IPv4 ACLs, IPv6 port ACLs take precedence over router ACLs.

Switch Stacks and IPv6 ACLs

The active switch supports IPv6 ACLs in hardware and distributes the IPv6 ACLs to the stack members.

If a standby switch takes over as the active switch, it distributes the ACL configuration to all stack members. The member switches sync up the configuration distributed by the new active switch and flush out entries that are not required.

When an ACL is modified, attached to, or detached from an interface, the active switch distributes the change to all stack members.

Interactions with Other Features and Switches

- If an IPv6 router ACL is configured to deny a packet, the packet is not routed. A copy of the packet is sent to the Internet Control Message Protocol (ICMP) queue to generate an ICMP unreachable message for the frame.
- If a bridged frame is to be dropped due to a port ACL, the frame is not bridged.
- You can create both IPv4 and IPv6 ACLs on a switch or switch stack, and you can apply both IPv4 and IPv6 ACLs to the same interface. Each ACL must have a unique name; an error message appears if you try to use a name that is already configured.

You use different commands to create IPv4 and IPv6 ACLs and to attach IPv4 or IPv6 ACLs to the same Layer 2 or Layer 3 interface. If you use the wrong command to attach an ACL (for example, an IPv4 command to attach an IPv6 ACL), you receive an error message.

- You cannot use MAC ACLs to filter IPv6 frames. MAC ACLs can only filter non-IP frames.
- If the hardware memory is full, packets are dropped on the interface and an unload error message is logged.

Restrictions for IPv6 ACLs

With IPv4, you can configure standard and extended numbered IP ACLs, named IP ACLs, and MAC ACLs. IPv6 supports only named ACLs.

The switch supports most Cisco IOS-supported IPv6 ACLs with some exceptions:

- The switch does not support matching on these keywords: **flowlabel**, **routing header**, and **undetermined-transport**.
- The switch does not support reflexive ACLs (the **reflect** keyword).
- This release supports only port ACLs and router ACLs for IPv6; it does not support VLAN ACLs (VLAN maps).
- The switch does not apply MAC-based ACLs on IPv6 frames.
- You cannot apply IPv6 port ACLs to Layer 2 EtherChannels.
- When configuring an ACL, there is no restriction on keywords entered in the ACL, regardless of whether or not they are supported on the platform. When you apply the ACL to an interface that requires hardware forwarding (physical ports or SVIs), the switch checks to determine whether or not the ACL can be supported on the interface. If not, attaching the ACL is rejected.
- If an ACL is applied to an interface and you attempt to add an access control entry (ACE) with an unsupported keyword, the switch does not allow the ACE to be added to the ACL that is currently attached to the interface.

IPv6 ACLs on the switch have these characteristics:

- Fragmented frames (the **fragments** keyword as in IPv4) are supported
- The same statistics supported in IPv4 are supported for IPv6 ACLs.
- If the switch runs out of hardware space, the packets associated with the ACL are dropped on the interface.
- Logging is supported for router ACLs, but not for port ACLs.
- The switch supports IPv6 address-matching for a full range of prefix-lengths.

Default Configuration for IPv6 ACLs

The default IPv6 ACL configuration is as follows:

```
Switch# show access-lists preauth_ipv6_acl
IPv6 access list preauth_ipv6_acl (per-user)
permit udp any any eq domain sequence 10
permit tcp any any eq domain sequence 20
permit icmp any any nd-ns sequence 30
permit icmp any any nd-na sequence 40
permit icmp any any router-solicitation sequence 50
permit icmp any any router-advertisement sequence 60
permit icmp any any redirect sequence 70
permit udp any eq 547 any eq 546 sequence 80
permit udp any eq 546 any eq 547 sequence 90
deny ipv6 any any sequence 100
```

Configuring IPv6 ACLs

To filter IPv6 traffic, you perform these steps:

SUMMARY STEPS

1. **enable**
2. **configure terminal**
3. **[no]{ipv6 access-list list-name| client permit-control-packets| log-update threshold| role-based list-name}**
4. **[no]{deny | permit} protocol {source-ipv6-prefix/prefix-length|any threshold| host source-ipv6-address} [operator [port-number]] { destination-ipv6-prefix/ prefix-length | any | host destination-ipv6-address} [operator [port-number]][dscp value] [fragments] [log] [log-input] [routing] [sequence value] [time-range name]**
5. **{deny | permit} tcp {source-ipv6-prefix/prefix-length | any | host source-ipv6-address} [operator [port-number]] {destination-ipv6- prefix/prefix-length | any | host destination-ipv6-address} [operator [port-number]] [ack] [dscp value] [established] [fin] [log] [log-input] [neq {port | protocol}] [psh] [range {port | protocol}] [rst] [routing] [sequence value] [syn] [time-range name] [urg]**
6. **{deny | permit} udp {source-ipv6-prefix/prefix-length | any | host source-ipv6-address} [operator [port-number]] {destination-ipv6-prefix/prefix-length | any | host destination-ipv6-address} [operator [port-number]] [dscp value] [log] [log-input] [neq {port | protocol}] [range {port | protocol}] [routing] [sequence value] [time-range name]]**
7. **{deny | permit} icmp {source-ipv6-prefix/prefix-length | any | host source-ipv6-address} [operator [port-number]] {destination-ipv6-prefix/prefix-length | any | host destination-ipv6-address} [operator [port-number]] [icmp-type [icmp-code] | icmp-message] [dscp value] [log] [log-input] [routing] [sequence value] [time-range name]**
8. **end**
9. **show ipv6 access-list**
10. **show running-config**
11. **copy running-config startup-config**

DETAILED STEPS

	Command or Action	Purpose
Step 1	enable Example: Switch> enable	Enables privileged EXEC mode. Enter your password if prompted.
Step 2	configure terminal Example: Switch# configure terminal	Enters the global configuration mode.

	Command or Action	Purpose
Step 3	<p>[no]{ipv6 access-list <i>list-name</i> client permit-control-packets log-update threshold role-based <i>list-name</i>}</p> <p>Example: Switch(config)# ipv6 access-list example_acl_list</p>	Defines an IPv6 ACL name, and enters IPv6 access list configuration mode.
Step 4	<p>[no]{deny permit} protocol {<i>source-ipv6-prefix/prefix-length</i> any threshold host <i>source-ipv6-address</i>} [operator [<i>port-number</i>]] { <i>destination-ipv6-prefix/prefix-length</i> any host <i>destination-ipv6-address</i>} [operator [<i>port-number</i>]][dscp <i>value</i>] [fragments] [log] [log-input] [routing] [sequence <i>value</i>] [time-range <i>name</i>]</p>	<p>Enter deny or permit to specify whether to deny or permit the packet if conditions are matched. These are the conditions:</p> <ul style="list-style-type: none"> • For protocol, enter the name or number of an Internet protocol: ahp, esp, icmp, ipv6, pcp, stcp, tcp, or udp, or an integer in the range 0 to 255 representing an IPv6 protocol number. • The <i>source-ipv6-prefix/prefix-length</i> or <i>destination-ipv6-prefix/prefix-length</i> is the source or destination IPv6 network or class of networks for which to set deny or permit conditions, specified in hexadecimal and using 16-bit values between colons (see RFC 2373). • Enter any as an abbreviation for the IPv6 prefix ::/0. • For host <i>source-ipv6-address</i> or <i>destination-ipv6-address</i>, enter the source or destination IPv6 host address for which to set deny or permit conditions, specified in hexadecimal using 16-bit values between colons. • (Optional) For operator, specify an operand that compares the source or destination ports of the specified protocol. Operands are lt (less than), gt (greater than), eq (equal), neq (not equal), and range. If the operator follows the <i>source-ipv6-prefix/prefix-length</i> argument, it must match the source port. If the operator follows the <i>destination-ipv6-prefix/prefix-length</i> argument, it must match the destination port. • (Optional) The port-number is a decimal number from 0 to 65535 or the name of a TCP or UDP port. You can use TCP port names only when filtering TCP. You can use UDP port names only when filtering UDP. • (Optional) Enter dscp value to match a differentiated services code point value against the traffic class value in the Traffic Class field of each IPv6 packet header. The acceptable range is from 0 to 63. • (Optional) Enter fragments to check noninitial fragments. This keyword is visible only if the protocol is ipv6. • (Optional) Enter log to cause an logging message to be sent to the console about the packet that matches the entry. Enter log-input to include the input interface in the log entry. Logging is supported only for router ACLs. • (Optional) Enter routing to specify that IPv6 packets be routed.

	Command or Action	Purpose
		<ul style="list-style-type: none"> • (Optional) Enter sequence value to specify the sequence number for the access list statement. The acceptable range is from 1 to 4,294,967,295. • (Optional) Enter time-range name to specify the time range that applies to the deny or permit statement.
Step 5	<pre>{deny permit} tcp {source-ipv6-prefix/prefix-length any host source-ipv6-address} [operator [port-number]] {destination-ipv6- prefix/prefix-length any host destination-ipv6-address} [operator [port-number]] [ack] [dscp value] [established] [fin] [log] [log-input] [neq {port protocol}] [psh] [range {port protocol}] [rst] [routing] [sequence value] [syn] [time-range name] [urg]</pre>	<p>(Optional) Define a TCP access list and the access conditions.</p> <p>Enter tcp for Transmission Control Protocol. The parameters are the same as those described in Step 3a, with these additional optional parameters:</p> <ul style="list-style-type: none"> • ack—Acknowledgment bit set. • established—An established connection. A match occurs if the TCP datagram has the ACK or RST bits set. • fin—Finished bit set; no more data from sender. • neq {port protocol}—Matches only packets that are not on a given port number. • psh—Push function bit set. • range {port protocol}—Matches only packets in the port number range. • rst—Reset bit set. • syn—Synchronize bit set. • urg—Urgent pointer bit set.
Step 6	<pre>{deny permit} udp {source-ipv6-prefix/prefix-length any host source-ipv6-address} [operator [port-number]] {destination-ipv6-prefix/prefix-length any host destination-ipv6-address} [operator [port-number]] [dscp value] [log] [log-input] [neq {port protocol}] [range {port protocol}] [routing] [sequence value] [time-range name]]</pre>	<p>(Optional) Define a UDP access list and the access conditions.</p> <p>Enter udp for the User Datagram Protocol. The UDP parameters are the same as those described for TCP, except that the [operator [port]] port number or name must be a UDP port number or name, and the established parameter is not valid for UDP.</p>
Step 7	<pre>{deny permit} icmp {source-ipv6-prefix/prefix-length any host source-ipv6-address} [operator [port-number]] {destination-ipv6-prefix/prefix-length any host destination-ipv6-address} [operator [port-number]] [icmp-type [icmp-code] icmp-message] [dscp value] [log] [log-input] [routing] [sequence value] [time-range name]</pre>	<p>(Optional) Define an ICMP access list and the access conditions.</p> <p>Enter icmp for Internet Control Message Protocol. The ICMP parameters are the same as those described for most IP protocols in Step 1, with the addition of the ICMP message type and code parameters. These optional keywords have these meanings:</p> <ul style="list-style-type: none"> • icmp-type—Enter to filter by ICMP message type, a number from 0 to 255. • icmp-code—Enter to filter ICMP packets that are filtered by the ICMP message code type, a number from 0 to 255.

	Command or Action	Purpose
		<ul style="list-style-type: none"> <i>icmp-message</i>—Enter to filter ICMP packets by the ICMP message type name or the ICMP message type and code name. To see a list of ICMP message type names and code names, use the ? key or see command reference for this release.
Step 8	end	Return to privileged EXEC mode.
Step 9	show ipv6 access-list	Verify the access list configuration.
Step 10	show running-config Example: Switch# <code>show running-config</code>	Verifies your entries.
Step 11	copy running-config startup-config Example: Switch# <code>copy running-config startup-config</code>	(Optional) Saves your entries in the configuration file.

What to Do Next

Attach the IPv6 ACL to an Interface

Attaching an IPv6 ACL to an Interface

You can apply an ACL to outbound or inbound traffic on Layer 3 interfaces, or to inbound traffic on Layer 2 interfaces. You can also apply ACLs only to inbound management traffic on Layer 3 interfaces.

Follow these steps to control access to an interface:

SUMMARY STEPS

1. **enable**
2. **configure terminal**
3. **interface** *interface-id*
4. **no switchport**
5. **ipv6 address** *ipv6-address*
6. **ipv6 traffic-filter** *access-list-name* {in | out}
7. **end**
8. **show running-config**
9. **copy running-config startup-config**

DETAILED STEPS

	Command or Action	Purpose
Step 1	enable Example: Switch> enable	Enables privileged EXEC mode. Enter your password if prompted.
Step 2	configure terminal Example: Switch# configure terminal	Enters the global configuration mode.
Step 3	interface <i>interface-id</i>	Identify a Layer 2 interface (for port ACLs) or Layer 3 interface (for router ACLs) on which to apply an access list, and enter interface configuration mode.
Step 4	no switchport	If applying a router ACL, this changes the interface from Layer 2 mode (the default) to Layer 3 mode.
Step 5	ipv6 address <i>ipv6-address</i>	Configure an IPv6 address on a Layer 3 interface (for router ACLs).
Step 6	ipv6 traffic-filter <i>access-list-name</i> { in out }	Apply the access list to incoming or outgoing traffic on the interface. Note
Step 7	end Example: Switch(config)# end	Returns to privileged EXEC mode.
Step 8	show running-config Example: Switch# show running-config	Verifies your entries.
Step 9	copy running-config startup-config Example: Switch# copy running-config startup-config	(Optional) Saves your entries in the configuration file.

Monitoring IPv6 ACLs

You can display information about all configured access lists, all IPv6 access lists, or a specific access list by using one or more of the privileged EXEC commands shown in the table below:

Command	Purpose
show access-lists	Displays all access lists configured on the switch.
show ipv6 access-list [<i>access-list-name</i>]	Displays all configured IPv6 access lists or the access list specified by name.
show vlan access-map [<i>map-name</i>]	Displays VLAN access map configuration.
show vlan filter [access-map <i>access-map</i> vlan <i>vlan-id</i>]	Displays the mapping between VACLs and VLANs.

This is an example of the output from the `show access-lists` privileged EXEC command. The output shows all access lists that are configured on the switch or switch stack.

```
Switch # show access-lists
Extended IP access list hello
  10 permit ip any any
IPv6 access list ipv6
  permit ipv6 any any sequence 10
```

This is an example of the output from the `show ipv6 access-list` privileged EXEC command. The output shows only IPv6 access lists configured on the switch or switch stack

```
Switch# show ipv6 access-list
IPv6 access list inbound
  permit tcp any any eq bgp (8 matches) sequence 10
  permit tcp any any eq telnet (15 matches) sequence 20
  permit udp any any sequence 30
IPv6 access list outbound
  deny udp any any sequence 10
  deny tcp any any eq telnet sequence 20
```

This is an example of the output from the `show vlan access-map` privileged EXEC command. The output shows VLAN access map information.

```
Switch# show vlan access-map
Vlan access-map "m1" 10
  Match clauses:
    ipv6 address: ip2
  Action: drop
```

Additional References

Related Documents

Related Topic	Document Title
IPv6 security configuration topics	IPv6 Configuration Guide, Cisco IOS XE Release 3SE (Catalyst 3850 Switches) http://www.cisco.com/en/US/docs/ios-xml/ios/ipv6/config_library/xe-3se/3850/ipv6-xe-3se-3850-library.html
IPv6 command reference	IPv6 Command Reference, Cisco IOS XE Release 3SE (Catalyst 3850 Switches) http://www.cisco.com/en/US/docs/ios-xml/ios/ipv6/command/ipv6-xe-3se-3850-cr-book.html

Error Message Decoder

Description	Link
To help you research and resolve system error messages in this release, use the Error Message Decoder tool.	https://www.cisco.com/cgi-bin/Support/Errordecoder/index.cgi

MIBs

MIB	MIBs Link
All supported MIBs for this release.	To locate and download MIBs for selected platforms, Cisco IOS releases, and feature sets, use Cisco MIB Locator found at the following URL: http://www.cisco.com/go/mibs

Technical Assistance

Description	Link
<p>The Cisco Support website provides extensive online resources, including documentation and tools for troubleshooting and resolving technical issues with Cisco products and technologies.</p> <p>To receive security and technical information about your products, you can subscribe to various services, such as the Product Alert Tool (accessed from Field Notices), the Cisco Technical Services Newsletter, and Really Simple Syndication (RSS) Feeds.</p> <p>Access to most tools on the Cisco Support website requires a Cisco.com user ID and password.</p>	<p>http://www.cisco.com/support</p>



Configuring DHCP

- [Finding Feature Information, page 217](#)
- [Information About DHCP, page 217](#)
- [How to Configure DHCP Features, page 224](#)
- [Configuring DHCP Server Port-Based Address Allocation, page 234](#)

Finding Feature Information

Your software release may not support all the features documented in this module. For the latest caveats and feature information, see Bug Search Tool and the release notes for your platform and software release. To find information about the features documented in this module, and to see a list of the releases in which each feature is supported, see the feature information table at the end of this module.

Use Cisco Feature Navigator to find information about platform support and Cisco software image support. To access Cisco Feature Navigator, go to <http://www.cisco.com/go/cfn>. An account on Cisco.com is not required.

Information About DHCP

DHCP Server

The DHCP server assigns IP addresses from specified address pools on a switch or router to DHCP clients and manages them. If the DHCP server cannot give the DHCP client the requested configuration parameters from its database, it forwards the request to one or more secondary DHCP servers defined by the network administrator. The switch can act as a DHCP server.

DHCP Relay Agent

A DHCP relay agent is a Layer 3 device that forwards DHCP packets between clients and servers. Relay agents forward requests and replies between clients and servers when they are not on the same physical subnet. Relay agent forwarding is different from the normal Layer 2 forwarding, in which IP datagrams are switched

transparently between networks. Relay agents receive DHCP messages and generate new DHCP messages to send on output interfaces.

DHCP Snooping

DHCP snooping is a DHCP security feature that provides network security by filtering untrusted DHCP messages and by building and maintaining a DHCP snooping binding database, also referred to as a DHCP snooping binding table.

DHCP snooping acts like a firewall between untrusted hosts and DHCP servers. You use DHCP snooping to differentiate between untrusted interfaces connected to the end user and trusted interfaces connected to the DHCP server or another switch.



Note

For DHCP snooping to function properly, all DHCP servers must be connected to the switch through trusted interfaces.

An untrusted DHCP message is a message that is received through an untrusted interface. By default, the switch considers all interfaces untrusted. So, the switch must be configured to trust some interfaces to use DHCP Snooping. When you use DHCP snooping in a service-provider environment, an untrusted message is sent from a device that is not in the service-provider network, such as a customer's switch. Messages from unknown devices are untrusted because they can be sources of traffic attacks.

The DHCP snooping binding database has the MAC address, the IP address, the lease time, the binding type, the VLAN number, and the interface information that corresponds to the local untrusted interfaces of a switch. It does not have information regarding hosts interconnected with a trusted interface.

In a service-provider network, an example of an interface you might configure as trusted is one connected to a port on a device in the same network. An example of an untrusted interface is one that is connected to an untrusted interface in the network or to an interface on a device that is not in the network.

When a switch receives a packet on an untrusted interface and the interface belongs to a VLAN in which DHCP snooping is enabled, the switch compares the source MAC address and the DHCP client hardware address. If the addresses match (the default), the switch forwards the packet. If the addresses do not match, the switch drops the packet.

The switch drops a DHCP packet when one of these situations occurs:

- A packet from a DHCP server, such as a DHCP OFFER, DHCP ACK, DHCP NAK, or DHCP LEASE QUERY packet, is received from outside the network or firewall.
- A packet is received on an untrusted interface, and the source MAC address and the DHCP client hardware address do not match.
- The switch receives a DHCP RELEASE or DHCP DECLINE broadcast message that has a MAC address in the DHCP snooping binding database, but the interface information in the binding database does not match the interface on which the message was received.
- A DHCP relay agent forwards a DHCP packet that includes a relay-agent IP address that is not 0.0.0.0, or the relay agent forwards a packet that includes option-82 information to an untrusted port.

If the switch is an aggregation switch supporting DHCP snooping and is connected to an edge switch that is inserting DHCP option-82 information, the switch drops packets with option-82 information when packets are received on an untrusted interface. If DHCP snooping is enabled and packets are received on a trusted

port, the aggregation switch does not learn the DHCP snooping bindings for connected devices and cannot build a complete DHCP snooping binding database.

When an aggregation switch can be connected to an edge switch through an untrusted interface and you enter the **ip dhcp snooping information option allow-untrusted** global configuration command, the aggregation switch accepts packets with option-82 information from the edge switch. The aggregation switch learns the bindings for hosts connected through an untrusted switch interface. The DHCP security features, such as dynamic ARP inspection or IP source guard, can still be enabled on the aggregation switch while the switch receives packets with option-82 information on untrusted input interfaces to which hosts are connected. The port on the edge switch that connects to the aggregation switch must be configured as a trusted interface.

Normally, it is not desirable to broadcast packets to wireless clients. So, DHCP snooping replaces destination broadcast MAC address (ffff.ffff.ffff) with unicast MAC address for DHCP packets that are going from server to wireless clients. The unicast MAC address is retrieved from CHADDR field in the DHCP payload. This processing is applied for server to client packets such as DHCP OFFER, DHCP ACK, and DHCP NACK messages. The **ip dhcp snooping wireless bootp-broadcast enable** can be used to revert this behavior. When the wireless BOOTP broadcast is enabled, the broadcast DHCP packets from server are forwarded to wireless clients without changing the destination MAC address.

Related Topics

[Prerequisites for Configuring DHCP Snooping and Option 82, on page 229](#)

Option-82 Data Insertion

In residential, metropolitan Ethernet-access environments, DHCP can centrally manage the IP address assignments for a large number of subscribers. When the DHCP option-82 feature is enabled on the switch, a subscriber device is identified by the switch port through which it connects to the network (in addition to its MAC address). Multiple hosts on the subscriber LAN can be connected to the same port on the access switch and are uniquely identified.



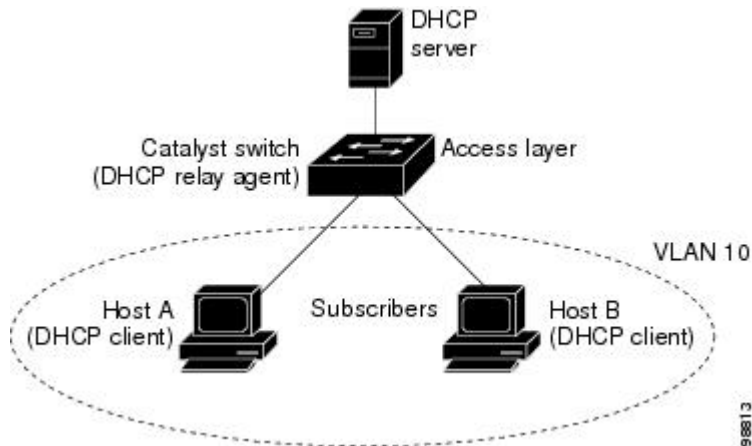
Note

The DHCP option-82 feature is supported only when DHCP snooping is globally enabled on the VLANs to which subscriber devices using option-82 are assigned.

The following illustration shows a metropolitan Ethernet network in which a centralized DHCP server assigns IP addresses to subscribers connected to the switch at the access layer. Because the DHCP clients and their associated DHCP server do not reside on the same IP network or subnet, a DHCP relay agent (the Catalyst

switch) is configured with a helper address to enable broadcast forwarding and to transfer DHCP messages between the clients and the server.

Figure 13: DHCP Relay Agent in a Metropolitan Ethernet Network



When you enable the DHCP snooping information option 82 on the switch, the following sequence of events occurs:

- The host (DHCP client) generates a DHCP request and broadcasts it on the network.
- When the switch receives the DHCP request, it adds the option-82 information in the packet. By default, the remote-ID suboption is the switch MAC address, and the circuit-ID suboption is the port identifier, **vlan-mod-port**, from which the packet is received. You can configure the remote ID and circuit ID.
- If the IP address of the relay agent is configured, the switch adds this IP address in the DHCP packet.
- The switch forwards the DHCP request that includes the option-82 field to the DHCP server.
- The DHCP server receives the packet. If the server is option-82-capable, it can use the remote ID, the circuit ID, or both to assign IP addresses and implement policies, such as restricting the number of IP addresses that can be assigned to a single remote ID or circuit ID. Then the DHCP server echoes the option-82 field in the DHCP reply.
- The DHCP server unicasts the reply to the switch if the request was relayed to the server by the switch. The switch verifies that it originally inserted the option-82 data by inspecting the remote ID and possibly the circuit ID fields. The switch removes the option-82 field and forwards the packet to the switch port that connects to the DHCP client that sent the DHCP request.

In the default suboption configuration, when the described sequence of events occurs, the values in these fields do not change (see the illustration, *Suboption Packet Formats*):

- Circuit-ID suboption fields
 - Suboption type
 - Length of the suboption type
 - Circuit-ID type
 - Length of the circuit-ID type

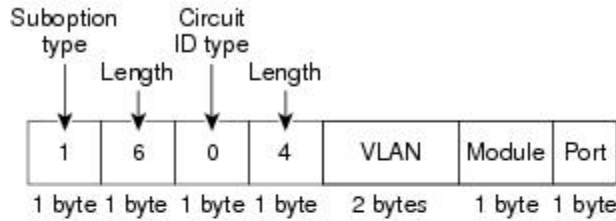
- Remote-ID suboption fields
 - Suboption type
 - Length of the suboption type
 - Remote-ID type
 - Length of the remote-ID type

In the port field of the circuit ID suboption, the port numbers start at 3. For example, on a switch with 24 10/100/1000 ports and four small form-factor pluggable (SFP) module slots, port 3 is the Gigabit Ethernet 1/0/1 port, port 4 is the Gigabit Ethernet 1/0/2 port, and so forth. Port 27 is the SFP module slot Gigabit Ethernet1/0/25, and so forth.

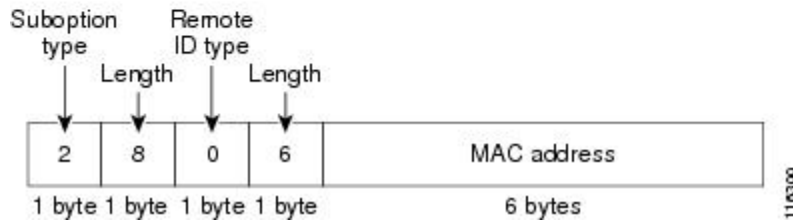
The illustration, *Suboption Packet Formats*, shows the packet formats for the remote-ID suboption and the circuit-ID suboption when the default suboption configuration is used. For the circuit-ID suboption, the module number corresponds to the switch number in the stack. The switch uses the packet formats when you globally enable DHCP snooping and enter the `ip dhcp snooping information option global configuration command`.

Figure 14: Suboption Packet Formats

Circuit ID Suboption Frame Format



Remote ID Suboption Frame Format



The illustration, *User-Configured Suboption Packet Formats*, shows the packet formats for user-configured remote-ID and circuit-ID suboptions. The switch uses these packet formats when DHCP snooping is globally enabled and when the `ip dhcp snooping information option format remote-id` global configuration command and the `ip dhcp snooping vlan information option format-type circuit-id string` interface configuration command are entered.

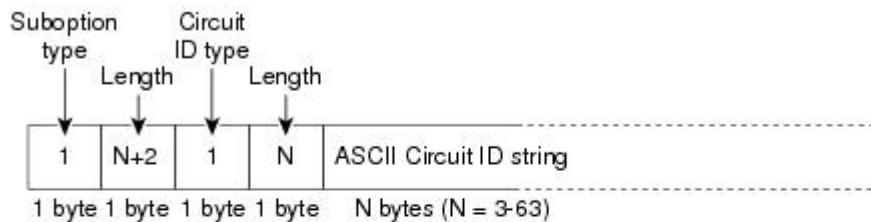
The values for these fields in the packets change from the default values when you configure the remote-ID and circuit-ID suboptions:

- Circuit-ID suboption fields
 - The circuit-ID type is 1.

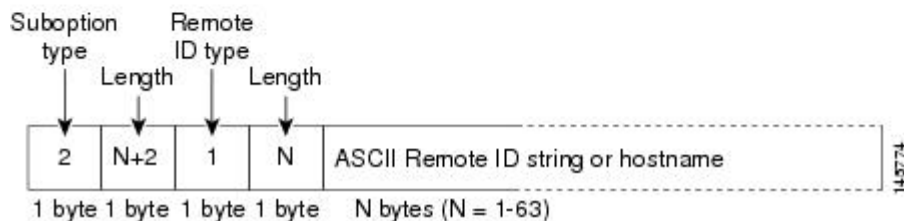
- The length values are variable, depending on the length of the string that you configure.
- Remote-ID suboption fields
 - The remote-ID type is 1.
 - The length values are variable, depending on the length of the string that you configure.

Figure 15: User-Configured Suboption Packet Formats

Circuit ID Suboption Frame Format (for user-configured string):



Remote ID Suboption Frame Format (for user-configured string):



Cisco IOS DHCP Server Database

During the DHCP-based autoconfiguration process, the designated DHCP server uses the Cisco IOS DHCP server database. It has IP addresses, address bindings, and configuration parameters, such as the boot file.

An address binding is a mapping between an IP address and a MAC address of a host in the Cisco IOS DHCP server database. You can manually assign the client IP address, or the DHCP server can allocate an IP address from a DHCP address pool. For more information about manual and automatic address bindings, see the “Configuring DHCP” chapter of the *Cisco IOS IP Configuration Guide, Release 12.4*.

For procedures to enable and configure the Cisco IOS DHCP server database, see the “DHCP Configuration Task List” section in the “Configuring DHCP” chapter of the *Cisco IOS IP Configuration Guide, Release 12.4*.

DHCP Snooping Binding Database

When DHCP snooping is enabled, the switch uses the DHCP snooping binding database to store information about untrusted interfaces. The database can have up to 64,000 bindings.

Each database entry (binding) has an IP address, an associated MAC address, the lease time (in hexadecimal format), the interface to which the binding applies, and the VLAN to which the interface belongs. The database agent stores the bindings in a file at a configured location. At the end of each entry is a checksum that accounts for all the bytes from the start of the file through all the bytes associated with the entry. Each entry is 72 bytes, followed by a space and then the checksum value.

To keep the bindings when the switch reloads, you must use the DHCP snooping database agent. If the agent is disabled, dynamic ARP inspection or IP source guard is enabled, and the DHCP snooping binding database has dynamic bindings, the switch loses its connectivity. If the agent is disabled and only DHCP snooping is enabled, the switch does not lose its connectivity, but DHCP snooping might not prevent DHCP spoofing attacks.

When reloading, the switch reads the binding file to build the DHCP snooping binding database. The switch updates the file when the database changes.

When a switch learns of new bindings or when it loses bindings, the switch immediately updates the entries in the database. The switch also updates the entries in the binding file. The frequency at which the file is updated is based on a configurable delay, and the updates are batched. If the file is not updated in a specified time (set by the write-delay and abort-timeout values), the update stops.

This is the format of the file with bindings:

```
<initial-checksum>
TYPE DHCP-SNOOPING
VERSION 1
BEGIN
<entry-1> <checksum-1>
<entry-2> <checksum-1-2>
...
...
<entry-n> <checksum-1-2-...-n>
END
```

Each entry in the file is tagged with a checksum value that the switch uses to verify the entries when it reads the file. The initial-checksum entry on the first line distinguishes entries associated with the latest file update from entries associated with a previous file update.

This is an example of a binding file:

```
2bb4c2a1
TYPE DHCP-SNOOPING
VERSION 1
BEGIN
192.1.168.1 3 0003.47d8.c91f 2BB6488E Gi1/0/4 21ae5fbb
192.1.168.3 3 0003.44d6.c52f 2BB648EB Gi1/0/4 1bdb223f
192.1.168.2 3 0003.47d9.c8f1 2BB648AB Gi1/0/4 584a38f0
END
```

When the switch starts and the calculated checksum value equals the stored checksum value, the switch reads entries from the binding file and adds the bindings to its DHCP snooping binding database. The switch ignores an entry when one of these situations occurs:

- The switch reads the entry and the calculated checksum value does not equal the stored checksum value. The entry and the ones following it are ignored.
- An entry has an expired lease time (the switch might not remove a binding entry when the lease time expires).
- The interface in the entry no longer exists on the system.
- The interface is a routed interface or a DHCP snooping-trusted interface.

DHCP Snooping and Switch Stacks

DHCP snooping is managed on the stack master. When a new switch joins the stack, the switch receives the DHCP snooping configuration from the stack master. When a member leaves the stack, all DHCP snooping address bindings associated with the switch age out.

All snooping statistics are generated on the stack master. If a new stack master is elected, the statistics counters reset.

When a stack merge occurs, all DHCP snooping bindings in the stack master are lost if it is no longer the stack master. With a stack partition, the existing stack master is unchanged, and the bindings belonging to the partitioned switches age out. The new master of the partitioned stack begins processing the new incoming DHCP packets.

How to Configure DHCP Features

Default DHCP Snooping Configuration

Table 20: Default DHCP Configuration

Feature	Default Setting
DHCP server	Enabled in Cisco IOS software, requires configuration ⁶
DHCP relay agent	Enabled ⁷
DHCP packet forwarding address	None configured
Checking the relay agent information	Enabled (invalid messages are dropped)
DHCP relay agent forwarding policy	Replace the existing relay agent information
DHCP snooping enabled globally	Disabled
DHCP snooping information option	Enabled
DHCP snooping option to accept packets on untrusted input interfaces ⁸	Disabled
DHCP snooping limit rate	None configured
DHCP snooping trust	Untrusted
DHCP snooping VLAN	Disabled
DHCP snooping MAC address verification	Enabled

Feature	Default Setting
Cisco IOS DHCP server binding database	Enabled in Cisco IOS software, requires configuration. Note The switch gets network addresses and configuration parameters only from a device configured as a DHCP server.
DHCP snooping binding database agent	Enabled in Cisco IOS software, requires configuration. This feature is operational only when a destination is configured.

⁶ The switch responds to DHCP requests only if it is configured as a DHCP server.

⁷ The switch relays DHCP packets only if the IP address of the DHCP server is configured on the SVI of the DHCP client.

⁸ Use this feature when the switch is an aggregation switch that receives packets with option-82 information from an edge switch.

DHCP Snooping Configuration Guidelines

- If a switch port is connected to a DHCP server, configure a port as trusted by entering the **ip dhcp snooping trust interface** configuration command.
- If a switch port is connected to a DHCP client, configure a port as untrusted by entering the **no ip dhcp snooping trust** interface configuration command.
- You can display DHCP snooping statistics by entering the **show ip dhcp snooping statistics** user EXEC command, and you can clear the snooping statistics counters by entering the **clear ip dhcp snooping statistics** privileged EXEC command.

Configuring the DHCP Server

The switch can act as a DHCP server.

For procedures to configure the switch as a DHCP server, see the “Configuring DHCP” section of the “IP addressing and Services” section of the *Cisco IOS IP Configuration Guide, Release 12.4*.

DHCP Server and Switch Stacks

The DHCP binding database is managed on the stack master. When a new stack master is assigned, the new master downloads the saved binding database from the TFTP server. If the stack master fails, all unsaved bindings are lost. The IP addresses associated with the lost bindings are released. You should configure an automatic backup by using the **ip dhcp database url [timeout seconds | write-delay seconds]** global configuration command.

When a stack merge occurs, the stack master that becomes a stack member loses all of the DHCP lease bindings. With a stack partition, the new master in the partition acts as a new DHCP server without any of the existing DHCP lease bindings.

Configuring the DHCP Relay Agent

Follow these steps to enable the DHCP relay agent on the switch:

SUMMARY STEPS

1. `enable`
2. `configure terminal`
3. `service dhcp`
4. `end`
5. `show running-config`
6. `copy running-config startup-config`

DETAILED STEPS

	Command or Action	Purpose
Step 1	enable Example: Switch> <code>enable</code>	Enables privileged EXEC mode. Enter your password if prompted.
Step 2	configure terminal Example: Switch# <code>configure terminal</code>	Enters the global configuration mode.
Step 3	service dhcp Example: Switch(config)# <code>service dhcp</code>	Enables the DHCP server and relay agent on your switch. By default, this feature is enabled.
Step 4	end Example: Switch(config)# <code>end</code>	Returns to privileged EXEC mode.
Step 5	show running-config Example: Switch# <code>show running-config</code>	Verifies your entries.

	Command or Action	Purpose
Step 6	copy running-config startup-config Example: Switch# copy running-config startup-config	(Optional) Saves your entries in the configuration file.

What to Do Next

See the “*Configuring DHCP*” section of the “IP Addressing and Services” section of the *Cisco IOS IP Configuration Guide, Release 12.4* for these procedures:

- Checking (validating) the relay agent information
- Configuring the relay agent forwarding policy

Specifying the Packet Forwarding Address

If the DHCP server and the DHCP clients are on different networks or subnets, you must configure the switch with the **ip helper-address** *address* interface configuration command. The general rule is to configure the command on the Layer 3 interface closest to the client. The address used in the **ip helper-address** command can be a specific DHCP server IP address, or it can be the network address if other DHCP servers are on the destination network segment. Using the network address enables any DHCP server to respond to requests.

Beginning in privileged EXEC mode, follow these steps to specify the packet forwarding address:

SUMMARY STEPS

1. **enable**
2. **configure terminal**
3. **interface vlan** *vlan-id*
4. **ip address** *ip-address subnet-mask*
5. **ip helper-address** *address*
6. **end**
7. Use one of the following:
 - **interface range** *port-range*
 - **interface** *interface-id*
8. **switchport mode access**
9. **switchport access vlan** *vlan-id*
10. **end**
11. **show running-config**
12. **copy running-config startup-config**

DETAILED STEPS

	Command or Action	Purpose
Step 1	enable Example: Switch> enable	Enables privileged EXEC mode. Enter your password if prompted.
Step 2	configure terminal Example: Switch# configure terminal	Enters the global configuration mode.
Step 3	interface vlan <i>vlan-id</i> Example: Switch(config)# interface vlan 1	Creates a switch virtual interface by entering a VLAN ID, and enter interface configuration mode.
Step 4	ip address <i>ip-address subnet-mask</i> Example: Switch(config-if)# ip address 192.108.1.27 255.255.255.0	Configures the interface with an IP address and an IP subnet.
Step 5	ip helper-address <i>address</i> Example: Switch(config-if)# ip helper-address 172.16.1.2	<p>Specifies the DHCP packet forwarding address.</p> <p>The helper address can be a specific DHCP server address, or it can be the network address if other DHCP servers are on the destination network segment. Using the network address enables other servers to respond to DHCP requests.</p> <p>If you have multiple servers, you can configure one helper address for each server.</p>
Step 6	end Example: Switch(config-if)# end	Returns to global configuration mode.
Step 7	Use one of the following: <ul style="list-style-type: none"> • interface range <i>port-range</i> • interface <i>interface-id</i> Example: Switch(config)# interface gigabitethernet1/0/2	<p>Configures multiple physical ports that are connected to the DHCP clients, and enter interface range configuration mode.</p> <p>or</p> <p>Configures a single physical port that is connected to the DHCP client, and enter interface configuration mode.</p>

	Command or Action	Purpose
Step 8	switchport mode access Example: Switch(config-if)# switchport mode access	Defines the VLAN membership mode for the port.
Step 9	switchport access vlan <i>vlan-id</i> Example: Switch(config-if)# switchport access vlan 1	Assigns the ports to the same VLAN as configured in Step 2.
Step 10	end Example: Switch(config-if)# end	Returns to privileged EXEC mode.
Step 11	show running-config Example: Switch# show running-config	Verifies your entries.
Step 12	copy running-config startup-config Example: Switch# copy running-config startup-config	(Optional) Saves your entries in the configuration file.

Prerequisites for Configuring DHCP Snooping and Option 82

The prerequisites for DHCP Snooping and Option 82 are as follows:

- You must globally enable DHCP snooping on the switch.
- Before globally enabling DHCP snooping on the switch, make sure that the devices acting as the DHCP server and the DHCP relay agent are configured and enabled.
- If you want the switch to respond to DHCP requests, it must be configured as a DHCP server.
- Before configuring the DHCP snooping information option on your switch, be sure to configure the device that is acting as the DHCP server. You must specify the IP addresses that the DHCP server can assign or exclude, or you must configure DHCP options for these devices.
- For DHCP snooping to function properly, all DHCP servers must be connected to the switch through trusted interfaces. In a service-provider network, a trusted interface is connected to a port on a device in the same network.

- You must configure the switch to use the Cisco IOS DHCP server binding database to use it for DHCP snooping.
- To use the DHCP snooping option of accepting packets on untrusted inputs, the switch must be an aggregation switch that receives packets with option-82 information from an edge switch.
- The following prerequisites apply to DHCP snooping binding database configuration:
 - You must configure a destination on the DHCP snooping binding database to use the switch for DHCP snooping.
 - Because both NVRAM and the flash memory have limited storage capacity, we recommend that you store the binding file on a TFTP server.
 - For network-based URLs (such as TFTP and FTP), you must create an empty file at the configured URL before the switch can write bindings to the binding file at that URL. See the documentation for your TFTP server to determine whether you must first create an empty file on the server; some TFTP servers cannot be configured this way.
 - To ensure that the lease time in the database is accurate, we recommend that you enable and configure Network Time Protocol (NTP).
 - If NTP is configured, the switch writes binding changes to the binding file only when the switch system clock is synchronized with NTP.
- Before configuring the DHCP relay agent on your switch, make sure to configure the device that is acting as the DHCP server. You must specify the IP addresses that the DHCP server can assign or exclude, configure DHCP options for devices, or set up the DHCP database agent.
- If you want the switch to relay DHCP packets, the IP address of the DHCP server must be configured on the switch virtual interface (SVI) of the DHCP client.
- If a switch port is connected to a DHCP server, configure a port as trusted by entering the **ip dhcp snooping trust interface** configuration command.
- If a switch port is connected to a DHCP client, configure a port as untrusted by entering the **no ip dhcp snooping trust** interface configuration command.

Related Topics

[DHCP Snooping](#), on page 218

Enabling DHCP Snooping and Option 82

Follow these steps to enable DHCP snooping on the switch:

SUMMARY STEPS

1. **enable**
2. **configure terminal**
3. **ip dhcp snooping**
4. **ip dhcp snooping vlan** *vlan-range*
5. **ip dhcp snooping information option**
6. **ip dhcp snooping information option allow-untrusted**
7. **interface** *interface-id*
8. **ip dhcp snooping vlan** *vlan* **information option format-type circuit-id** [**override**] *string ASCII-string*
9. **ip dhcp snooping trust**
10. **ip dhcp snooping limit rate** *rate*
11. **exit**
12. **ip dhcp snooping verify mac-address**
13. **end**
14. **show running-config**
15. **copy running-config startup-config**

DETAILED STEPS

	Command or Action	Purpose
Step 1	enable Example: Switch> enable	Enables privileged EXEC mode. Enter your password if prompted.
Step 2	configure terminal Example: Switch# configure terminal	Enters the global configuration mode.
Step 3	ip dhcp snooping Example: Switch(config)# ip dhcp snooping	Enables DHCP snooping globally.
Step 4	ip dhcp snooping vlan <i>vlan-range</i> Example: Switch(config)# ip dhcp snooping vlan 10	Enables DHCP snooping on a VLAN or range of VLANs. The range is 1 to 4094. You can enter a single VLAN ID identified by VLAN ID number, a series of VLAN IDs separated by commas, a range of VLAN IDs separated by hyphens, or a range of VLAN IDs separated by entering the starting and ending VLAN IDs separated by a space. <ul style="list-style-type: none"> • You can enter a single VLAN ID identified by VLAN ID number, a series of VLAN IDs separated by commas, a range of VLAN

	Command or Action	Purpose
		IDs separated by hyphens, or a range of VLAN IDs separated by entering the starting and ending VLAN IDs separated by a space.
Step 5	ip dhcp snooping information option Example: <pre>Switch(config)# ip dhcp snooping information option</pre>	Enables the switch to insert and remove DHCP relay information (option-82 field) in forwarded DHCP request messages to the DHCP server. This is the default setting.
Step 6	ip dhcp snooping information option allow-untrusted Example: <pre>Switch(config)# ip dhcp snooping information option allow-untrusted</pre>	(Optional) If the switch is an aggregation switch connected to an edge switch, this command enables the switch to accept incoming DHCP snooping packets with option-82 information from the edge switch. The default setting is disabled. Note Enter this command only on aggregation switches that are connected to trusted devices.
Step 7	interface <i>interface-id</i> Example: <pre>Switch(config)# interface gigabitethernet2/0/1</pre>	Specifies the interface to be configured, and enter interface configuration mode.
Step 8	ip dhcp snooping vlan <i>vlan</i> information option format-type circuit-id [<i>override</i>] string <i>ASCII-string</i> Example: <pre>Switch(config-if)# ip dhcp snooping vlan 1 information option format-type circuit-id override string override2</pre>	(Optional) Configures the circuit-ID suboption for the specified interface. Specify the VLAN and port identifier, using a VLAN ID in the range of 1 to 4094. The default circuit ID is the port identifier, in the format vlan-mod-port . You can configure the circuit ID to be a string of 3 to 63 ASCII characters (no spaces). (Optional) Use the override keyword when you do not want the circuit-ID suboption inserted in TLV format to define subscriber information.
Step 9	ip dhcp snooping trust Example: <pre>Switch(config-if)# ip dhcp snooping trust</pre>	(Optional) Configures the interface as trusted or untrusted. Use the no keyword to configure an interface to receive messages from an untrusted client. The default setting is untrusted.
Step 10	ip dhcp snooping limit rate <i>rate</i> Example: <pre>Switch(config-if)# ip dhcp snooping limit rate 100</pre>	(Optional) Configures the number of DHCP packets per second that an interface can receive. The range is 1 to 2048. By default, no rate limit is configured. Note We recommend an untrusted rate limit of not more than 100 packets per second. If you configure rate limiting for trusted interfaces, you might need to increase the rate limit if the port is a trunk port assigned to more than one VLAN with DHCP snooping.

	Command or Action	Purpose
Step 11	exit Example: <code>Switch(config-if)# exit</code>	Returns to global configuration mode.
Step 12	ip dhcp snooping verify mac-address Example: <code>Switch(config)# ip dhcp snooping verify mac-address</code>	(Optional) Configures the switch to verify that the source MAC address in a DHCP packet received on untrusted ports matches the client hardware address in the packet. The default is to verify that the source MAC address matches the client hardware address in the packet.
Step 13	end Example: <code>Switch(config)# end</code>	Returns to privileged EXEC mode.
Step 14	show running-config Example: <code>Switch# show running-config</code>	Verifies your entries.
Step 15	copy running-config startup-config Example: <code>Switch# copy running-config startup-config</code>	(Optional) Saves your entries in the configuration file.

Enabling the Cisco IOS DHCP Server Database

For procedures to enable and configure the Cisco IOS DHCP server database, see the “DHCP Configuration Task List” section in the “Configuring DHCP” chapter of the Cisco IOS IP Configuration Guide, Release 12.4

Monitoring DHCP Snooping Information

Table 21: Commands for Displaying DHCP Information

show ip dhcp snooping	Displays the DHCP snooping configuration for a switch
show ip dhcp snooping binding	Displays only the dynamically configured bindings in the DHCP snooping binding database, also referred to as a binding table.

show ip dhcp snooping database	Displays the DHCP snooping binding database status and statistics.
show ip dhcp snooping statistics	Displays the DHCP snooping statistics in summary or detail form.
show ip source binding	Display the dynamically and statically configured bindings.

**Note**

If DHCP snooping is enabled and an interface changes to the down state, the switch does not delete the statically configured bindings.

Configuring DHCP Server Port-Based Address Allocation

Information About Configuring DHCP Server Port-Based Address Allocation

DHCP server port-based address allocation is a feature that enables DHCP to maintain the same IP address on an Ethernet switch port regardless of the attached device client identifier or client hardware address.

When Ethernet switches are deployed in the network, they offer connectivity to the directly connected devices. In some environments, such as on a factory floor, if a device fails, the replacement device must be working immediately in the existing network. With the current DHCP implementation, there is no guarantee that DHCP would offer the same IP address to the replacement device. Control, monitoring, and other software expect a stable IP address associated with each device. If a device is replaced, the address assignment should remain stable even though the DHCP client has changed.

When configured, the DHCP server port-based address allocation feature ensures that the same IP address is always offered to the same connected port even as the client identifier or client hardware address changes in the DHCP messages received on that port. The DHCP protocol recognizes DHCP clients by the client identifier option in the DHCP packet. Clients that do not include the client identifier option are identified by the client hardware address. When you configure this feature, the port name of the interface overrides the client identifier or hardware address and the actual point of connection, the switch port, becomes the client identifier.

In all cases, by connecting the Ethernet cable to the same port, the same IP address is allocated through DHCP to the attached device.

The DHCP server port-based address allocation feature is only supported on a Cisco IOS DHCP server and not a third-party server.

Default Port-Based Address Allocation Configuration

By default, DHCP server port-based address allocation is disabled.

Port-Based Address Allocation Configuration Guidelines

- By default, DHCP server port-based address allocation is disabled.
- To restrict assignments from the DHCP pool to preconfigured reservations (unreserved addresses are not offered to the client and other clients are not served by the pool), you can enter the **reserved-only** DHCP pool configuration command.

Enabling the DHCP Snooping Binding Database Agent

Beginning in privileged EXEC mode, follow these steps to enable and configure the DHCP snooping binding database agent on the switch:

SUMMARY STEPS

1. **enable**
2. **configure terminal**
3. **ip dhcp snooping database** {flash[number]:/filename | ftp://user:password@host/filename | http://[[username:password]@]{hostname | host-ip}[/directory] /image-name.tar | rcp://user@host/filename} | **ftp://host/filename**
4. **ip dhcp snooping database timeout** seconds
5. **ip dhcp snooping database write-delay** seconds
6. **end**
7. **ip dhcp snooping binding** mac-address vlan vlan-id ip-address **interface** interface-id **expiry** seconds
8. **show ip dhcp snooping database** [detail]
9. **show running-config**
10. **copy running-config startup-config**

DETAILED STEPS

	Command or Action	Purpose
Step 1	enable Example: Switch> enable	Enables privileged EXEC mode. Enter your password if prompted.
Step 2	configure terminal Example: Switch# configure terminal	Enters the global configuration mode.
Step 3	ip dhcp snooping database {flash[number]:/filename ftp://user:password@host/filename	Specifies the URL for the database agent or the binding file by using one of these forms:

	Command or Action	Purpose
	<p>http://[[username:password]@]{hostname host-ip}[/directory] /image-name.tar rcp://user@host/filename} tftp://host/filename</p> <p>Example:</p> <pre>Switch(config)# ip dhcp snooping database tftp://10.90.90.90/snooping-rp2</pre>	<ul style="list-style-type: none"> • flash[number]:/filename (Optional) Use the <i>number</i> parameter to specify the stack member number of the stack master. The range for <i>number</i> is 1 to 9. • ftp://user:password@host/filename • http://[[username:password]@]{hostname host-ip}[/directory] /image-name.tar • rcp://user@host/filename • tftp://host/filename
Step 4	<p>ip dhcp snooping database timeout seconds</p> <p>Example:</p> <pre>Switch(config)# ip dhcp snooping database timeout 300</pre>	<p>Specifies (in seconds) how long to wait for the database transfer process to finish before stopping the process.</p> <p>The default is 300 seconds. The range is 0 to 86400. Use 0 to define an infinite duration, which means to continue trying the transfer indefinitely.</p>
Step 5	<p>ip dhcp snooping database write-delay seconds</p> <p>Example:</p> <pre>Switch(config)# ip dhcp snooping database write-delay 15</pre>	<p>Specifies the duration for which the transfer should be delayed after the binding database changes. The range is from 15 to 86400 seconds. The default is 300 seconds (5 minutes).</p>
Step 6	<p>end</p> <p>Example:</p> <pre>Switch(config)# end</pre>	<p>Returns to privileged EXEC mode.</p>
Step 7	<p>ip dhcp snooping binding mac-address vlan vlan-id ip-address interface interface-id expiry seconds</p> <p>Example:</p> <pre>Switch# ip dhcp snooping binding 0001.1234.1234 vlan 1 172.20.50.5 interface gi1/1 expiry 1000</pre>	<p>(Optional) Adds binding entries to the DHCP snooping binding database. The <i>vlan-id</i> range is from 1 to 4904. The <i>seconds</i> range is from 1 to 4294967295.</p> <p>Enter this command for each entry that you add.</p> <p>Use this command when you are testing or debugging the switch.</p>
Step 8	<p>show ip dhcp snooping database [detail]</p> <p>Example:</p> <pre>Switch# show ip dhcp snooping database detail</pre>	<p>Displays the status and statistics of the DHCP snooping binding database agent.</p>

	Command or Action	Purpose
Step 9	show running-config Example: Switch# <code>show running-config</code>	Verifies your entries.
Step 10	copy running-config startup-config Example: Switch# <code>copy running-config startup-config</code>	(Optional) Saves your entries in the configuration file.

Enabling DHCP Server Port-Based Address Allocation

Follow these steps to globally enable port-based address allocation and to automatically generate a subscriber identifier on an interface.

SUMMARY STEPS

1. `enable`
2. `configure terminal`
3. `ip dhcp use subscriber-id client-id`
4. `ip dhcp subscriber-id interface-name`
5. `interface interface-id`
6. `ip dhcp server use subscriber-id client-id`
7. `end`
8. `show running-config`
9. `copy running-config startup-config`

DETAILED STEPS

	Command or Action	Purpose
Step 1	<code>enable</code> Example: Switch> <code>enable</code>	Enables privileged EXEC mode. Enter your password if prompted.

	Command or Action	Purpose
Step 2	configure terminal Example: Switch# configure terminal	Enters the global configuration mode.
Step 3	ip dhcp use subscriber-id client-id Example: Switch(config)# ip dhcp use subscriber-id client-id	Configures the DHCP server to globally use the subscriber identifier as the client identifier on all incoming DHCP messages.
Step 4	ip dhcp subscriber-id interface-name Example: Switch(config)# ip dhcp subscriber-id interface-name	<p>Automatically generates a subscriber identifier based on the short name of the interface.</p> <p>A subscriber identifier configured on a specific interface takes precedence over this command.</p>
Step 5	interface interface-id Example: Switch(config)# interface gigabitethernet1/0/1	Specifies the interface to be configured, and enter interface configuration mode.
Step 6	ip dhcp server use subscriber-id client-id Example: Switch(config-if)# ip dhcp server use subscriber-id client-id	Configures the DHCP server to use the subscriber identifier as the client identifier on all incoming DHCP messages on the interface.
Step 7	end Example: Switch(config)# end	Returns to privileged EXEC mode.
Step 8	show running-config Example: Switch# show running-config	Verifies your entries.
Step 9	copy running-config startup-config Example: Switch# copy running-config startup-config	(Optional) Saves your entries in the configuration file.

What to Do Next

After enabling DHCP port-based address allocation on the switch, use the **ip dhcp pool** global configuration command to preassign IP addresses and to associate them to clients.

Monitoring DHCP Server Port-Based Address Allocation

Table 22: Commands for Displaying DHCP Port-Based Address Allocation Information

Command	Purpose
show interface <i>interface id</i>	Displays the status and configuration of a specific interface.
show ip dhcp pool	Displays the DHCP address pools.
show ip dhcp binding	Displays address bindings on the Cisco IOS DHCP server.

Additional References

Related Documents

Related Topic	Document Title
DHCP Configuration Information and Procedures	IP Addressing: DHCP Configuration Guide, Cisco IOS XE Release 3S http://www.cisco.com/en/US/docs/ios-xml/ios/ipaddr_dhcp/configuration/xs-3s/dhcp-xe-3s-book.html

Error Message Decoder

Description	Link
To help you research and resolve system error messages in this release, use the Error Message Decoder tool.	https://www.cisco.com/cgi-bin/Support/Errordecoder/index.cgi

MIBs

MIB	MIBs Link
All supported MIBs for this release.	To locate and download MIBs for selected platforms, Cisco IOS releases, and feature sets, use Cisco MIB Locator found at the following URL: http://www.cisco.com/go/mibs

Technical Assistance

Description	Link
<p>The Cisco Support website provides extensive online resources, including documentation and tools for troubleshooting and resolving technical issues with Cisco products and technologies.</p> <p>To receive security and technical information about your products, you can subscribe to various services, such as the Product Alert Tool (accessed from Field Notices), the Cisco Technical Services Newsletter, and Really Simple Syndication (RSS) Feeds.</p> <p>Access to most tools on the Cisco Support website requires a Cisco.com user ID and password.</p>	http://www.cisco.com/support



Configuring IP Source Guard

IP Source Guard (IPSG) is a security feature that restricts IP traffic on nonrouted, Layer 2 interfaces by filtering traffic based on the DHCP snooping binding database and on manually configured IP source bindings.

This chapter contains the following topics:

- [Finding Feature Information, page 241](#)
- [Information About IP Source Guard, page 241](#)
- [How to Configure IP Source Guard, page 243](#)
- [Monitoring IP Source Guard, page 247](#)
- [Additional References, page 247](#)

Finding Feature Information

Your software release may not support all the features documented in this module. For the latest caveats and feature information, see Bug Search Tool and the release notes for your platform and software release. To find information about the features documented in this module, and to see a list of the releases in which each feature is supported, see the feature information table at the end of this module.

Use Cisco Feature Navigator to find information about platform support and Cisco software image support. To access Cisco Feature Navigator, go to <http://www.cisco.com/go/cfn>. An account on Cisco.com is not required.

Information About IP Source Guard

IP Source Guard

You can use IP source guard to prevent traffic attacks if a host tries to use the IP address of its neighbor and you can enable IP source guard when DHCP snooping is enabled on an untrusted interface.

After IPSG is enabled on an interface, the switch blocks all IP traffic received on the interface except for DHCP packets allowed by DHCP snooping.

The switch uses a source IP lookup table in hardware to bind IP addresses to ports. For IP and MAC filtering, a combination of source IP and source MAC lookups are used. IP traffic with a source IP address in the binding table is allowed, all other traffic is denied.

The IP source binding table has bindings that are learned by DHCP snooping or are manually configured (static IP source bindings). An entry in this table has an IP address, its associated MAC address, and its associated VLAN number. The switch uses the IP source binding table only when IP source guard is enabled.

IPSG is supported only on Layer 2 ports, including access and trunk ports. You can configure IPSG with source IP address filtering or with source IP and MAC address filtering.

IP Source Guard for Static Hosts



Note

Do not use IPSG (IP source guard) for static hosts on uplink ports or trunk ports.

IPSG for static hosts extends the IPSG capability to non-DHCP and static environments. The previous IPSG used the entries created by DHCP snooping to validate the hosts connected to a switch. Any traffic received from a host without a valid DHCP binding entry is dropped. This security feature restricts IP traffic on nonrouted Layer 2 interfaces. It filters traffic based on the DHCP snooping binding database and on manually configured IP source bindings. The previous version of IPSG required a DHCP environment for IPSG to work.

IPSG for static hosts allows IPSG to work without DHCP. IPSG for static hosts relies on IP device tracking-table entries to install port ACLs. The switch creates static entries based on ARP requests or other IP packets to maintain the list of valid hosts for a given port. You can also specify the number of hosts allowed to send traffic to a given port. This is equivalent to port security at Layer 3.

IPSG for static hosts also supports dynamic hosts. If a dynamic host receives a DHCP-assigned IP address that is available in the IP DHCP snooping table, the same entry is learned by the IP device tracking table. In a stacked environment, when the master failover occurs, the IP source guard entries for static hosts attached to member ports are retained. When you enter the **show ip device tracking all EXEC** command, the IP device tracking table displays the entries as ACTIVE.



Note

Some IP hosts with multiple network interfaces can inject some invalid packets into a network interface. The invalid packets contain the IP or MAC address for another network interface of the host as the source address. The invalid packets can cause IPSG for static hosts to connect to the host, to learn the invalid IP or MAC address bindings, and to reject the valid bindings. Consult the vendor of the corresponding operating system and the network interface to prevent the host from injecting invalid packets.

IPSG for static hosts initially learns IP or MAC bindings dynamically through an ACL-based snooping mechanism. IP or MAC bindings are learned from static hosts by ARP and IP packets. They are stored in the device tracking database. When the number of IP addresses that have been dynamically learned or statically configured on a given port reaches a maximum, the hardware drops any packet with a new IP address. To resolve hosts that have moved or gone away for any reason, IPSG for static hosts leverages IP device tracking to age out dynamically learned IP address bindings. This feature can be used with DHCP snooping. Multiple bindings are established on a port that is connected to both DHCP and static hosts. For example, bindings are stored in both the device tracking database as well as in the DHCP snooping binding database.

IP Source Guard Configuration Guidelines

- You can configure static IP bindings only on nonrouted ports. If you enter the **ip source binding** *mac-address* **vlan** *vlan-id* *ip-address* **interface** *interface-id* global configuration command on a routed interface, this error message appears:

```
Static IP source binding can only be configured on switch port.
```

- When IP source guard with source IP filtering is enabled on an interface, DHCP snooping must be enabled on the access VLAN for that interface.
- If you are enabling IP source guard on a trunk interface with multiple VLANs and DHCP snooping is enabled on all the VLANs, the source IP address filter is applied on all the VLANs.



Note

If IP source guard is enabled and you enable or disable DHCP snooping on a VLAN on the trunk interface, the switch might not properly filter traffic.

- You can enable this feature when 802.1x port-based authentication is enabled.

How to Configure IP Source Guard

Enabling IP Source Guard

SUMMARY STEPS

1. **enable**
2. **configure terminal**
3. **interface** *interface-id*
4. **ip verify source** [**mac-check**]
5. **exit**
6. **ip source binding** *mac-address* **vlan** *vlan-id* *ip-address* **interface** *interface-id*
7. **end**
8. **show running-config**
9. **copy running-config startup-config**

DETAILED STEPS

	Command or Action	Purpose
Step 1	enable Example: Switch> enable	Enables privileged EXEC mode. Enter your password if prompted.
Step 2	configure terminal Example: Switch# configure terminal	Enters the global configuration mode.
Step 3	interface <i>interface-id</i> Example: Switch(config)# interface gigabitethernet 1/0/1	Specifies the interface to be configured, and enters interface configuration mode.
Step 4	ip verify source [mac-check] Example: Switch(config-if)# ip verify source	Enables IP source guard with source IP address filtering. (Optional) mac-check —Enables IP Source Guard with source IP address and MAC address filtering.
Step 5	exit Example: Switch(config-if)# exit	Returns to global configuration mode.
Step 6	ip source binding <i>mac-address</i> <i>vlan</i> <i>vlan-id</i> <i>ip-address</i> interface <i>interface-id</i> Example: Switch(config)# ip source binding 0100.0230.0002 vlan 11 10.0.0.4 interface gigabitethernet1/0/1	Adds a static IP source binding. Enter this command for each static binding.
Step 7	end Example: Switch(config)# end	Returns to privileged EXEC mode.

	Command or Action	Purpose
Step 8	show running-config Example: Switch# show running-config	Verifies your entries.
Step 9	copy running-config startup-config Example: Switch# copy running-config startup-config	(Optional) Saves your entries in the configuration file.

Configuring IP Source Guard for Static Hosts on a Layer 2 Access Port

You must configure the **ip device tracking maximum *limit-number*** interface configuration command globally for IPSG for static hosts to work. If you only configure this command on a port without enabling IP device tracking globally or by setting an IP device tracking maximum on that interface, IPSG with static hosts rejects all the IP traffic from that interface.

SUMMARY STEPS

1. **enable**
2. **configure terminal**
3. **ip device tracking**
4. **interface *interface-id***
5. **switchport mode access**
6. **switchport access vlan *vlan-id***
7. **ip verify source[tracking] [mac-check]**
8. **ip device tracking maximum *number***
9. **end**

DETAILED STEPS

	Command or Action	Purpose
Step 1	enable Example: Switch> enable	Enables privileged EXEC mode. Enter your password if prompted.

	Command or Action	Purpose
Step 2	configure terminal Example: Switch# configure terminal	Enters the global configuration mode.
Step 3	ip device tracking Example: Switch(config)# ip device tracking	Turns on the IP host table, and globally enables IP device tracking.
Step 4	interface interface-id Example: Switch(config)# interface gigabitethernet 1/0/1	Enters interface configuration mode.
Step 5	switchport mode access Example: Switch(config-if)# switchport mode access	Configures a port as access.
Step 6	switchport access vlan vlan-id Example: Switch(config-if)# switchport access vlan 10	Configures the VLAN for this port.
Step 7	ip verify source[tracking] [mac-check] Example: Switch(config-if)# ip verify source tracking mac-check	Enables IP source guard with source IP address filtering. (Optional) tracking —Enables IP source guard for static hosts. (Optional) mac-check —Enables MAC address filtering. The command ip verify source tracking mac-check enables IP source guard for static hosts with MAC address filtering.
Step 8	ip device tracking maximum number Example: Switch(config-if)# ip device tracking maximum 8	Establishes a maximum limit for the number of static IPs that the IP device tracking table allows on the port. The range is 1 to 10. The maximum number is 10. Note You must configure the ip device tracking maximum limit-number interface configuration command.

	Command or Action	Purpose
Step 9	end Example: Switch(config)# end	Returns to privileged EXEC mode.

Monitoring IP Source Guard

Table 23: Privileged EXEC show Commands

Command	Purpose
show ip verify source [interface <i>interface-id</i>]	Displays the IP source guard configuration on the switch or on a specific interface.
show ip device tracking { all interface <i>interface-id</i> ip <i>ip-address</i> mac <i>mac-address</i> }	Displays information about the entries in the IP device tracking table.

Table 24: Interface Configuration Commands

Command	Purpose
ip verify source tracking	Verifies the data source.

For detailed information about the fields in these displays, see the command reference for this release.

Additional References

Error Message Decoder

Description	Link
To help you research and resolve system error messages in this release, use the Error Message Decoder tool.	https://www.cisco.com/cgi-bin/Support/Errordecoder/index.cgi

MIBs

MIB	MIBs Link
All supported MIBs for this release.	To locate and download MIBs for selected platforms, Cisco IOS releases, and feature sets, use Cisco MIB Locator found at the following URL: http://www.cisco.com/go/mibs

Technical Assistance

Description	Link
<p>The Cisco Support website provides extensive online resources, including documentation and tools for troubleshooting and resolving technical issues with Cisco products and technologies.</p> <p>To receive security and technical information about your products, you can subscribe to various services, such as the Product Alert Tool (accessed from Field Notices), the Cisco Technical Services Newsletter, and Really Simple Syndication (RSS) Feeds.</p> <p>Access to most tools on the Cisco Support website requires a Cisco.com user ID and password.</p>	http://www.cisco.com/support



Configuring Dynamic ARP Inspection

- [Finding Feature Information, page 249](#)
- [Restrictions for Dynamic ARP Inspection, page 249](#)
- [Understanding Dynamic ARP Inspection, page 251](#)
- [Default Dynamic ARP Inspection Configuration, page 254](#)
- [Relative Priority of ARP ACLs and DHCP Snooping Entries, page 255](#)
- [Configuring ARP ACLs for Non-DHCP Environments , page 255](#)
- [Configuring Dynamic ARP Inspection in DHCP Environments, page 258](#)
- [Limiting the Rate of Incoming ARP Packets, page 261](#)
- [Performing Dynamic ARP Inspection Validation Checks, page 263](#)
- [Monitoring DAI, page 265](#)
- [Verifying the DAI Configuration, page 266](#)
- [Additional References, page 266](#)

Finding Feature Information

Your software release may not support all the features documented in this module. For the latest caveats and feature information, see Bug Search Tool and the release notes for your platform and software release. To find information about the features documented in this module, and to see a list of the releases in which each feature is supported, see the feature information table at the end of this module.

Use Cisco Feature Navigator to find information about platform support and Cisco software image support. To access Cisco Feature Navigator, go to <http://www.cisco.com/go/cfn>. An account on Cisco.com is not required.

Restrictions for Dynamic ARP Inspection

This section lists the restrictions and guidelines for configuring Dynamic ARP Inspection on the switch.

- Dynamic ARP inspection is an ingress security feature; it does not perform any egress checking.
- Dynamic ARP inspection is not effective for hosts connected to switches that do not support dynamic ARP inspection or that do not have this feature enabled. Because man-in-the-middle attacks are limited to a single Layer 2 broadcast domain, separate the domain with dynamic ARP inspection checks from the one with no checking. This action secures the ARP caches of hosts in the domain enabled for dynamic ARP inspection.
- Dynamic ARP inspection depends on the entries in the DHCP snooping binding database to verify IP-to-MAC address bindings in incoming ARP requests and ARP responses. Make sure to enable DHCP snooping to permit ARP packets that have dynamically assigned IP addresses.

When DHCP snooping is disabled or in non-DHCP environments, use ARP ACLs to permit or to deny packets.

- Dynamic ARP inspection is supported on access ports, trunk ports, and EtherChannel ports.



Note Do not enable Dynamic ARP inspection on RSPAN VLANs. If Dynamic ARP inspection is enabled on RSPAN VLANs, Dynamic ARP inspection packets might not reach the RSPAN destination port.

- A physical port can join an EtherChannel port channel only when the trust state of the physical port and the channel port match. Otherwise, the physical port remains suspended in the port channel. A port channel inherits its trust state from the first physical port that joins the channel. Consequently, the trust state of the first physical port need not match the trust state of the channel.

Conversely, when you change the trust state on the port channel, the switch configures a new trust state on all the physical ports that comprise the channel.

- The rate limit is calculated separately on each switch in a switch stack. For a cross-stack EtherChannel, this means that the actual rate limit might be higher than the configured value. For example, if you set the rate limit to 30 pps on an EtherChannel that has one port on switch 1 and one port on switch 2, each port can receive packets at 29 pps without causing the EtherChannel to become error-disabled.
- The operating rate for the port channel is cumulative across all the physical ports within the channel. For example, if you configure the port channel with an ARP rate-limit of 400 pps, all the interfaces combined on the channel receive an aggregate 400 pps. The rate of incoming ARP packets on EtherChannel ports is equal to the sum of the incoming rate of packets from all the channel members. Configure the rate limit for EtherChannel ports only after examining the rate of incoming ARP packets on the channel-port members.

The rate of incoming packets on a physical port is checked against the port-channel configuration rather than the physical-ports configuration. The rate-limit configuration on a port channel is independent of the configuration on its physical ports.

If the EtherChannel receives more ARP packets than the configured rate, the channel (including all physical ports) is placed in the error-disabled state.

- Make sure to limit the rate of ARP packets on incoming trunk ports. Configure trunk ports with higher rates to reflect their aggregation and to handle packets across multiple dynamic ARP inspection-enabled VLANs. You also can use the **ip arp inspection limit none** interface configuration command to make the rate unlimited. A high rate-limit on one VLAN can cause a denial-of-service attack to other VLANs when the software places the port in the error-disabled state.

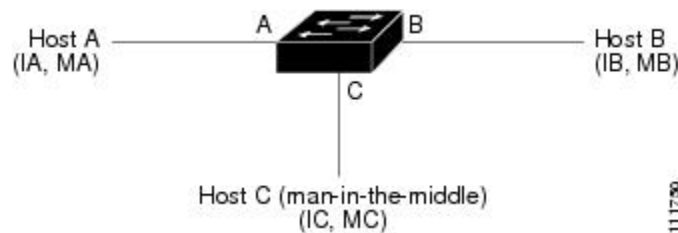
- When you enable dynamic ARP inspection on the switch, policers that were configured to police ARP traffic are no longer effective. The result is that all ARP traffic is sent to the CPU.

Understanding Dynamic ARP Inspection

ARP provides IP communication within a Layer 2 broadcast domain by mapping an IP address to a MAC address. For example, Host B wants to send information to Host A but does not have the MAC address of Host A in its ARP cache. Host B generates a broadcast message for all hosts within the broadcast domain to obtain the MAC address associated with the IP address of Host A. All hosts within the broadcast domain receive the ARP request, and Host A responds with its MAC address. However, because ARP allows a gratuitous reply from a host even if an ARP request was not received, an ARP spoofing attack and the poisoning of ARP caches can occur. After the attack, all traffic from the device under attack flows through the attacker's computer and then to the router, switch, or host.

A malicious user can attack hosts, switches, and routers connected to your Layer 2 network by poisoning the ARP caches of systems connected to the subnet and by intercepting traffic intended for other hosts on the subnet. Figure 26-1 shows an example of ARP cache poisoning.

Figure 16: ARP Cache Poisoning



Hosts A, B, and C are connected to the switch on interfaces A, B and C, all of which are on the same subnet. Their IP and MAC addresses are shown in parentheses; for example, Host A uses IP address IA and MAC address MA. When Host A needs to communicate to Host B at the IP layer, it broadcasts an ARP request for the MAC address associated with IP address IB. When the switch and Host B receive the ARP request, they populate their ARP caches with an ARP binding for a host with the IP address IA and a MAC address MA; for example, IP address IA is bound to MAC address MA. When Host B responds, the switch and Host A populate their ARP caches with a binding for a host with the IP address IB and the MAC address MB.

Host C can poison the ARP caches of the switch, Host A, and Host B by broadcasting forged ARP responses with bindings for a host with an IP address of IA (or IB) and a MAC address of MC. Hosts with poisoned ARP caches use the MAC address MC as the destination MAC address for traffic intended for IA or IB. This means that Host C intercepts that traffic. Because Host C knows the true MAC addresses associated with IA and IB, it can forward the intercepted traffic to those hosts by using the correct MAC address as the destination. Host C has inserted itself into the traffic stream from Host A to Host B, the classic *man-in-the-middle* attack.

Dynamic ARP inspection is a security feature that validates ARP packets in a network. It intercepts, logs, and discards ARP packets with invalid IP-to-MAC address bindings. This capability protects the network from certain man-in-the-middle attacks.

Dynamic ARP inspection ensures that only valid ARP requests and responses are relayed. The switch performs these activities:

- Intercepts all ARP requests and responses on untrusted ports

- Verifies that each of these intercepted packets has a valid IP-to-MAC address binding before updating the local ARP cache or before forwarding the packet to the appropriate destination
- Drops invalid ARP packets

Dynamic ARP inspection determines the validity of an ARP packet based on valid IP-to-MAC address bindings stored in a trusted database, the DHCP snooping binding database. This database is built by DHCP snooping if DHCP snooping is enabled on the VLANs and on the switch. If the ARP packet is received on a trusted interface, the switch forwards the packet without any checks. On untrusted interfaces, the switch forwards the packet only if it is valid.

You enable dynamic ARP inspection on a per-VLAN basis by using the **ip arp inspection vlan** *vlan-range* global configuration command.

In non-DHCP environments, dynamic ARP inspection can validate ARP packets against user-configured ARP access control lists (ACLs) for hosts with statically configured IP addresses. You define an ARP ACL by using the **arp access-list** *acl-name* global configuration command.

You can configure dynamic ARP inspection to drop ARP packets when the IP addresses in the packets are invalid or when the MAC addresses in the body of the ARP packets do not match the addresses specified in the Ethernet header. Use the **ip arp inspection validate** **{[src-mac] [dst-mac] [ip]}** global configuration command.

Interface Trust States and Network Security

Dynamic ARP inspection associates a trust state with each interface on the switch. Packets arriving on trusted interfaces bypass all dynamic ARP inspection validation checks, and those arriving on untrusted interfaces undergo the dynamic ARP inspection validation process.

In a typical network configuration, you configure all switch ports connected to host ports as untrusted and configure all switch ports connected to switches as trusted. With this configuration, all ARP packets entering the network from a given switch bypass the security check. No other validation is needed at any other place in the VLAN or in the network. You configure the trust setting by using the **ip arp inspection trust interface** configuration command.



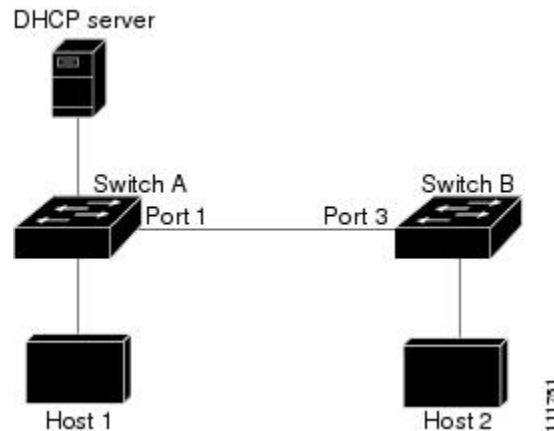
Caution

Use the trust state configuration carefully. Configuring interfaces as untrusted when they should be trusted can result in a loss of connectivity.

In the following figure, assume that both Switch A and Switch B are running dynamic ARP inspection on the VLAN that includes Host 1 and Host 2. If Host 1 and Host 2 acquire their IP addresses from the DHCP server connected to Switch A, only Switch A binds the IP-to-MAC address of Host 1. Therefore, if the interface

between Switch A and Switch B is untrusted, the ARP packets from Host 1 are dropped by Switch B. Connectivity between Host 1 and Host 2 is lost.

Figure 17: ARP Packet Validation on a VLAN Enabled for Dynamic ARP Inspection



Configuring interfaces to be trusted when they are actually untrusted leaves a security hole in the network. If Switch A is not running dynamic ARP inspection, Host 1 can easily poison the ARP cache of Switch B (and Host 2, if the link between the switches is configured as trusted). This condition can occur even though Switch B is running dynamic ARP inspection.

Dynamic ARP inspection ensures that hosts (on untrusted interfaces) connected to a switch running dynamic ARP inspection do not poison the ARP caches of other hosts in the network. However, dynamic ARP inspection does not prevent hosts in other portions of the network from poisoning the caches of the hosts that are connected to a switch running dynamic ARP inspection.

In cases in which some switches in a VLAN run dynamic ARP inspection and other switches do not, configure the interfaces connecting such switches as untrusted. However, to validate the bindings of packets from nondynamic ARP inspection switches, configure the switch running dynamic ARP inspection with ARP ACLs. When you cannot determine such bindings, at Layer 3, isolate switches running dynamic ARP inspection from switches not running dynamic ARP inspection switches.



Note Depending on the setup of the DHCP server and the network, it might not be possible to validate a given ARP packet on all switches in the VLAN.

Rate Limiting of ARP Packets

The switch CPU performs dynamic ARP inspection validation checks; therefore, the number of incoming ARP packets is rate-limited to prevent a denial-of-service attack. By default, the rate for untrusted interfaces is 15 packets per second (pps). Trusted interfaces are not rate-limited. You can change this setting by using the **ip arp inspection limit** interface configuration command.

When the rate of incoming ARP packets exceeds the configured limit, the switch places the port in the error-disabled state. The port remains in that state until you intervene. You can use the **errdisable recovery** global configuration command to enable error disable recovery so that ports automatically emerge from this state after a specified timeout period.

**Note**

The rate limit for an EtherChannel is applied separately to each switch in a stack. For example, if a limit of 20 pps is configured on the EtherChannel, each switch with ports in the EtherChannel can carry up to 20 pps. If any switch exceeds the limit, the entire EtherChannel is placed into the error-disabled state.

Relative Priority of ARP ACLs and DHCP Snooping Entries

Dynamic ARP inspection uses the DHCP snooping binding database for the list of valid IP-to-MAC address bindings.

ARP ACLs take precedence over entries in the DHCP snooping binding database. The switch uses ACLs only if you configure them by using the **ip arp inspection filter vlan** global configuration command. The switch first compares ARP packets to user-configured ARP ACLs. If the ARP ACL denies the ARP packet, the switch also denies the packet even if a valid binding exists in the database populated by DHCP snooping.

Logging of Dropped Packets

When the switch drops a packet, it places an entry in the log buffer and then generates system messages on a rate-controlled basis. After the message is generated, the switch clears the entry from the log buffer. Each log entry contains flow information, such as the receiving VLAN, the port number, the source and destination IP addresses, and the source and destination MAC addresses.

You use the **ip arp inspection log-buffer** global configuration command to configure the number of entries in the buffer and the number of entries needed in the specified interval to generate system messages. You specify the type of packets that are logged by using the **ip arp inspection vlan logging** global configuration command.

Default Dynamic ARP Inspection Configuration

Feature	Default Settings
Dynamic ARP inspection	Disabled on all VLANs.
Interface trust state	All interfaces are untrusted.
Rate limit of incoming ARP packets	The rate is 15 pps on untrusted interfaces, assuming that the network is a switched network with a host connecting to as many as 15 new hosts per second. The rate is unlimited on all trusted interfaces. The burst interval is 1 second.
ARP ACLs for non-DHCP environments	No ARP ACLs are defined.
Validation checks	No checks are performed.

Feature	Default Settings
Log buffer	<p>When dynamic ARP inspection is enabled, all denied or dropped ARP packets are logged.</p> <p>The number of entries in the log is 32.</p> <p>The number of system messages is limited to 5 per second.</p> <p>The logging-rate interval is 1 second.</p>
Per-VLAN logging	All denied or dropped ARP packets are logged.

Relative Priority of ARP ACLs and DHCP Snooping Entries

Dynamic ARP inspection uses the DHCP snooping binding database for the list of valid IP-to-MAC address bindings.

ARP ACLs take precedence over entries in the DHCP snooping binding database. The switch uses ACLs only if you configure them by using the `ip arp inspection filter vlan` global configuration command. The switch first compares ARP packets to user-configured ARP ACLs. If the ARP ACL denies the ARP packet, the switch also denies the packet even if a valid binding exists in the database populated by DHCP snooping.

Configuring ARP ACLs for Non-DHCP Environments

This procedure shows how to configure dynamic ARP inspection when Switch B shown in Figure 2 does not support dynamic ARP inspection or DHCP snooping.

If you configure port 1 on Switch A as trusted, a security hole is created because both Switch A and Host 1 could be attacked by either Switch B or Host 2. To prevent this possibility, you must configure port 1 on Switch A as untrusted. To permit ARP packets from Host 2, you must set up an ARP ACL and apply it to VLAN 1. If the IP address of Host 2 is not static (it is impossible to apply the ACL configuration on Switch A) you must separate Switch A from Switch B at Layer 3 and use a router to route packets between them.

Follow these steps to configure an ARP ACL on Switch A. This procedure is required in non-DHCP environments.

SUMMARY STEPS

1. **enable**
2. **configure terminal**
3. **arp access-list *acl-name***
4. **permit ip host *sender-ip* mac host *sender-mac***
5. **exit**
6. **ip arp inspection filter *arp-acl-name* vlan *vlan-range* [static]**
7. **interface *interface-id***
8. **no ip arp inspection trust**
9. **end**
10. Use the following show commands:
 - **show arp access-list *acl-name***
 - **show ip arp inspection vlan *vlan-range***
 - **show ip arp inspection interfaces**
11. **show running-config**
12. **copy running-config startup-config**

DETAILED STEPS

	Command or Action	Purpose
Step 1	enable Example: Switch> enable	Enables privileged EXEC mode. Enter your password if prompted.
Step 2	configure terminal Example: Switch# configure terminal	Enters the global configuration mode.
Step 3	arp access-list <i>acl-name</i>	Defines an ARP ACL, and enters ARP access-list configuration mode. By default, no ARP access lists are defined. Note At the end of the ARP access list, there is an implicit deny ip any mac any command.
Step 4	permit ip host <i>sender-ip</i> mac host <i>sender-mac</i>	Permits ARP packets from the specified host (Host 2). <ul style="list-style-type: none"> • For <i>sender-ip</i>, enter the IP address of Host 2. • For <i>sender-mac</i>, enter the MAC address of Host 2.

	Command or Action	Purpose
Step 5	<code>exit</code>	Returns to global configuration mode.
Step 6	<code>ip arp inspection filter arp-acl-name</code> <code>vlan vlan-range [static]</code>	<p>Applies ARP ACL to the VLAN. By default, no defined ARP ACLs are applied to any VLAN.</p> <ul style="list-style-type: none"> For <i>arp-acl-name</i>, specify the name of the ACL created in Step 2. For <i>vlan-range</i>, specify the VLAN that the switches and hosts are in. You can specify a single VLAN identified by VLAN ID number, a range of VLANs separated by a hyphen, or a series of VLANs separated by a comma. The range is 1 to 4094. (Optional) Specify static to treat implicit denies in the ARP ACL as explicit denies and to drop packets that do not match any previous clauses in the ACL. DHCP bindings are not used. <p>If you do not specify this keyword, it means that there is no explicit deny in the ACL that denies the packet, and DHCP bindings determine whether a packet is permitted or denied if the packet does not match any clauses in the ACL.</p> <p>ARP packets containing only IP-to-MAC address bindings are compared against the ACL. Packets are permitted only if the access list permits them.</p>
Step 7	<code>interface interface-id</code>	Specifies Switch A interface that is connected to Switch B, and enters the interface configuration mode.
Step 8	<code>no ip arp inspection trust</code>	<p>Configures Switch A interface that is connected to Switch B as untrusted. By default, all interfaces are untrusted.</p> <p>For untrusted interfaces, the switch intercepts all ARP requests and responses. It verifies that the intercepted packets have valid IP-to-MAC address bindings before updating the local cache and before forwarding the packet to the appropriate destination. The switch drops invalid packets and logs them in the log buffer according to the logging configuration specified with the ip arp inspection vlan logging global configuration command.</p>
Step 9	<code>end</code>	Returns to privileged EXEC mode.
Step 10	<p>Use the following show commands:</p> <ul style="list-style-type: none"> <code>show arp access-list acl-name</code> <code>show ip arp inspection vlan vlan-range</code> <code>show ip arp inspection interfaces</code> 	Verifies your entries.

	Command or Action	Purpose
Step 11	show running-config Example: Switch# show running-config	Verifies your entries.
Step 12	copy running-config startup-config Example: Switch# copy running-config startup-config	(Optional) Saves your entries in the configuration file.

Configuring Dynamic ARP Inspection in DHCP Environments

Before You Begin

This procedure shows how to configure dynamic ARP inspection when two switches support this feature. Host 1 is connected to Switch A, and Host 2 is connected to Switch B. Both switches are running dynamic ARP inspection on VLAN 1 where the hosts are located. A DHCP server is connected to Switch A. Both hosts acquire their IP addresses from the same DHCP server. Therefore, Switch A has the bindings for Host 1 and Host 2, and Switch B has the binding for Host 2.



Note

Dynamic ARP inspection depends on the entries in the DHCP snooping binding database to verify IP-to-MAC address bindings in incoming ARP requests and ARP responses. Make sure to enable DHCP snooping to permit ARP packets that have dynamically assigned IP addresses.

Follow these steps to configure dynamic ARP inspection. You must perform this procedure on both switches. This procedure is required.

SUMMARY STEPS

1. **enable**
2. **show cdp neighbors**
3. **configure terminal**
4. **ip arp inspection vlan *vlan-range***
5. **Interface *interface-id***
6. **ip arp inspection trust**
7. **end**
8. **show ip arp inspection interfaces**
9. **show ip arp inspection vlan *vlan-range***
10. **show ip dhcp snooping binding**
11. **show ip arp inspection statistics vlan *vlan-range***
12. **configure terminal**
13. **configure terminal**

DETAILED STEPS

	Command or Action	Purpose
Step 1	enable Example: Switch> enable	Enables privileged EXEC mode. Enter your password if prompted.
Step 2	show cdp neighbors Example: Switch(config-if)# show cdp neighbors	Verify the connection between the switches.
Step 3	configure terminal Example: Switch# configure terminal	Enters the global configuration mode.
Step 4	ip arp inspection vlan <i>vlan-range</i> Example: Switch(config)# ip arp inspection vlan 1	Enable dynamic ARP inspection on a per-VLAN basis. By default, dynamic ARP inspection is disabled on all VLANs. For <i>vlan-range</i> , specify a single VLAN identified by VLAN ID number, a range of VLANs separated by a hyphen, or a series of VLANs separated by a comma. The range is 1 to 4094. Specify the same VLAN ID for both switches.

	Command or Action	Purpose
Step 5	Interface <i>interface-id</i> Example: Switch(config)# interface gigabitethernet1/0/1	Specifies the interface connected to the other switch, and enter interface configuration mode.
Step 6	ip arp inspection trust Example: Switch(config-if)# ip arp inspection trust	<p>Configures the connection between the switches as trusted. By default, all interfaces are untrusted.</p> <p>The switch does not check ARP packets that it receives from the other switch on the trusted interface. It simply forwards the packets.</p> <p>For untrusted interfaces, the switch intercepts all ARP requests and responses. It verifies that the intercepted packets have valid IP-to-MAC address bindings before updating the local cache and before forwarding the packet to the appropriate destination. The switch drops invalid packets and logs them in the log buffer according to the logging configuration specified with the ip arp inspection vlan logging global configuration command.</p>
Step 7	end Example: Switch(config-if)# end	Returns to privileged EXEC mode.
Step 8	show ip arp inspection interfaces Example:	Verifies the dynamic ARP inspection configuration on interfaces.
Step 9	show ip arp inspection vlan <i>vlan-range</i> Example: Switch(config-if)# show ip arp inspection vlan 1	Verifies the dynamic ARP inspection configuration on VLAN.
Step 10	show ip dhcp snooping binding Example: Switch(config-if)# show ip dhcp snooping binding	Verifies the DHCP bindings.
Step 11	show ip arp inspection statistics vlan <i>vlan-range</i> Example: Switch(config-if)# show ip arp inspection statistics vlan 1	Checks the dynamic ARP inspection statistics on VLAN.
Step 12	configure terminal Example: Switch# configure terminal	Enters the global configuration mode.

	Command or Action	Purpose
Step 13	configure terminal Example: Switch# configure terminal	Enters the global configuration mode.

Limiting the Rate of Incoming ARP Packets

The switch CPU performs dynamic ARP inspection validation checks; therefore, the number of incoming ARP packets is rate-limited to prevent a denial-of-service attack.

When the rate of incoming ARP packets exceeds the configured limit, the switch places the port in the error-disabled state. The port remains in that state until you enable error-disabled recovery so that ports automatically emerge from this state after a specified timeout period.



Note

Unless you configure a rate limit on an interface, changing the trust state of the interface also changes its rate limit to the default value for that trust state. After you configure the rate limit, the interface retains the rate limit even when its trust state is changed. If you enter the **no ip arp inspection limit** interface configuration command, the interface reverts to its default rate limit.

Follow these steps to limit the rate of incoming ARP packets. This procedure is optional.

SUMMARY STEPS

1. **enable**
2. **configure terminal**
3. **interface *interface-id***
4. **ip arp inspection limit {rate pps [burst interval seconds] | none}**
5. **exit**
6. Use the following commands:
 - **errdisable detect cause arp-inspection**
 - **errdisable recovery cause arp-inspection**
 - **errdisable recovery interval *interval***
7. **exit**
8. Use the following show commands:
 - **show ip arp inspection interfaces**
 - **show errdisable recovery**
9. **show running-config**
10. **copy running-config startup-config**

DETAILED STEPS

	Command or Action	Purpose
Step 1	enable Example: Switch> enable	Enables privileged EXEC mode. Enter your password if prompted.
Step 2	configure terminal Example: Switch# configure terminal	Enters the global configuration mode.
Step 3	interface <i>interface-id</i>	Specifies the interface to be rate-limited, and enter interface configuration mode.
Step 4	ip arp inspection limit {rate pps [burst interval seconds] none}	Limits the rate of incoming ARP requests and responses on the interface. The default rate is 15 pps on untrusted interfaces and unlimited on trusted interfaces. The burst interval is 1 second. The keywords have these meanings: <ul style="list-style-type: none"> • For ratepps, specify an upper limit for the number of incoming packets processed per second. The range is 0 to 2048 pps.

	Command or Action	Purpose
		<ul style="list-style-type: none"> • (Optional) For burst interval <i>seconds</i>, specify the consecutive interval in seconds, over which the interface is monitored for a high rate of ARP packets. The range is 1 to 15. • For rate none, specify no upper limit for the rate of incoming ARP packets that can be processed.
Step 5	exit	Returns to global configuration mode.
Step 6	Use the following commands: <ul style="list-style-type: none"> • errdisable detect cause arp-inspection • errdisable recovery cause arp-inspection • errdisable recovery interval <i>interval</i> 	<p>(Optional) Enables error recovery from the dynamic ARP inspection error-disabled state, and configure the dynamic ARP inspection recover mechanism variables.</p> <p>By default, recovery is disabled, and the recovery interval is 300 seconds.</p> <p>For interval <i>interval</i>, specify the time in seconds to recover from the error-disabled state. The range is 30 to 86400.</p>
Step 7	exit	Returns to privileged EXEC mode.
Step 8	Use the following show commands: <ul style="list-style-type: none"> • show ip arp inspection interfaces • show errdisable recovery 	Verifies your settings.
Step 9	show running-config Example: Switch# show running-config	Verifies your entries.
Step 10	copy running-config startup-config Example: Switch# copy running-config startup-config	(Optional) Saves your entries in the configuration file.

Performing Dynamic ARP Inspection Validation Checks

Dynamic ARP inspection intercepts, logs, and discards ARP packets with invalid IP-to-MAC address bindings. You can configure the switch to perform additional checks on the destination MAC address, the sender and target IP addresses, and the source MAC address.

Follow these steps to perform specific checks on incoming ARP packets. This procedure is optional.

SUMMARY STEPS

1. `enable`
2. `configure terminal`
3. `ip arp inspection validate {[src-mac] [dst-mac] [ip]}`
4. `exit`
5. `show ip arp inspection vlan vlan-range`
6. `show running-config`
7. `copy running-config startup-config`

DETAILED STEPS

	Command or Action	Purpose
Step 1	<p><code>enable</code></p> <p>Example:</p> <pre>Switch> enable</pre>	Enables privileged EXEC mode. Enter your password if prompted.
Step 2	<p><code>configure terminal</code></p> <p>Example:</p> <pre>Switch# configure terminal</pre>	Enters the global configuration mode.
Step 3	<p><code>ip arp inspection validate {[src-mac] [dst-mac] [ip]}</code></p>	<p>Performs a specific check on incoming ARP packets. By default, no checks are performed.</p> <p>The keywords have these meanings:</p> <ul style="list-style-type: none"> • For src-mac, check the source MAC address in the Ethernet header against the sender MAC address in the ARP body. This check is performed on both ARP requests and responses. When enabled, packets with different MAC addresses are classified as invalid and are dropped. • For dst-mac, check the destination MAC address in the Ethernet header against the target MAC address in ARP body. This check is performed for ARP responses. When enabled, packets with different MAC addresses are classified as invalid and are dropped. • For ip, check the ARP body for invalid and unexpected IP addresses. Addresses include 0.0.0.0, 255.255.255.255, and all IP multicast addresses. Sender IP addresses are checked in all ARP requests and responses, and target IP addresses are checked only in ARP responses. <p>You must specify at least one of the keywords. Each command overrides the configuration of the previous command; that is, if a command enables src and dst mac validations, and a second command enables IP validation only, the src and dst mac validations are disabled as a result of the second command.</p>

	Command or Action	Purpose
Step 4	<code>exit</code>	Returns to privileged EXEC mode.
Step 5	<code>show ip arp inspection vlan</code> <i>vlan-range</i>	Verifies your settings.
Step 6	<code>show running-config</code> Example: Switch# <code>show running-config</code>	Verifies your entries.
Step 7	<code>copy running-config startup-config</code> Example: Switch# <code>copy running-config</code> <code>startup-config</code>	(Optional) Saves your entries in the configuration file.

Monitoring DAI

To monitor DAI, use the following commands:

Command	Description
<code>clear ip arp inspection statistics</code>	Clears dynamic ARP inspection statistics.
<code>show ip arp inspection statistics [vlan <i>vlan-range</i>]</code>	Displays statistics for forwarded, dropped, MAC validation failure, IP validation failure, ACL permitted and denied, and DHCP permitted and denied packets for the specified VLAN. If no VLANs are specified or if a range is specified, displays information only for VLANs with dynamic ARP inspection enabled (active).
<code>clear ip arp inspection log</code>	Clears the dynamic ARP inspection log buffer.
<code>show ip arp inspection log</code>	Displays the configuration and contents of the dynamic ARP inspection log buffer.

For the `show ip arp inspection statistics` command, the switch increments the number of forwarded packets for each ARP request and response packet on a trusted dynamic ARP inspection port. The switch increments the number of ACL or DHCP permitted packets for each packet that is denied by source MAC, destination MAC, or IP validation checks, and the switch increments the appropriate.

Verifying the DAI Configuration

To display and verify the DAI configuration, use the following commands:

Command	Description
<code>show arp access-list [acl-name]</code>	Displays detailed information about ARP ACLs.
<code>show ip arp inspection interfaces [interface-id]</code>	Displays the trust state and the rate limit of ARP packets for the specified interface or all interfaces.
<code>show ip arp inspection vlan vlan-range</code>	Displays the configuration and the operating state of dynamic ARP inspection for the specified VLAN. If no VLANs are specified or if a range is specified, displays information only for VLANs with dynamic ARP inspection enabled (active).

Additional References

Error Message Decoder

Description	Link
To help you research and resolve system error messages in this release, use the Error Message Decoder tool.	https://www.cisco.com/cgi-bin/Support/Errordecoder/index.cgi

MIBs

MIB	MIBs Link
All supported MIBs for this release.	To locate and download MIBs for selected platforms, Cisco IOS releases, and feature sets, use Cisco MIB Locator found at the following URL: http://www.cisco.com/go/mibs

Technical Assistance

Description	Link
<p>The Cisco Support website provides extensive online resources, including documentation and tools for troubleshooting and resolving technical issues with Cisco products and technologies.</p> <p>To receive security and technical information about your products, you can subscribe to various services, such as the Product Alert Tool (accessed from Field Notices), the Cisco Technical Services Newsletter, and Really Simple Syndication (RSS) Feeds.</p> <p>Access to most tools on the Cisco Support website requires a Cisco.com user ID and password.</p>	<p>http://www.cisco.com/support</p>



Configuring IEEE 802.1x Port-Based Authentication

This chapter describes how to configure IEEE 802.1x port-based authentication. IEEE 802.1x authentication prevents unauthorized devices (clients) from gaining access to the network. Unless otherwise noted, the term *switch* refers to a standalone switch or a switch stack.

- [Finding Feature Information, page 269](#)
- [Information About 802.1x Port-Based Authentication, page 269](#)
- [How to Configure 802.1x Port-Based Authentication, page 303](#)
- [Monitoring 802.1x Statistics and Status, page 363](#)
- [Additional References for IEEE 802.1x Port-Based Authentication, page 364](#)

Finding Feature Information

Your software release may not support all the features documented in this module. For the latest caveats and feature information, see Bug Search Tool and the release notes for your platform and software release. To find information about the features documented in this module, and to see a list of the releases in which each feature is supported, see the feature information table at the end of this module.

Use Cisco Feature Navigator to find information about platform support and Cisco software image support. To access Cisco Feature Navigator, go to <http://www.cisco.com/go/cfn>. An account on Cisco.com is not required.

Information About 802.1x Port-Based Authentication

The 802.1x standard defines a client-server-based access control and authentication protocol that prevents unauthorized clients from connecting to a LAN through publicly accessible ports unless they are properly authenticated. The authentication server authenticates each client connected to a switch port before making available any services offered by the switch or the LAN.

**Note**

TACACS is not supported with 802.1x authentication.

Until the client is authenticated, 802.1x access control allows only Extensible Authentication Protocol over LAN (EAPOL), Cisco Discovery Protocol (CDP), and Spanning Tree Protocol (STP) traffic through the port to which the client is connected. After authentication is successful, normal traffic can pass through the port.

The table shown below lists the maximum number of each client session supported on Catalyst 3850 and Catalyst 3650 switches:

Client session	Maximum sessions supported
Maximum dot1x or MAB client sessions	2000
Maximum web-based authentication sessions	2000
Maximum dot1x sessions with critical-auth VLAN enabled and server re-initialized	2000
Maximum MAB sessions with various session features applied	2000
Maximum dot1x sessions with service templates or session features applied	2000

**Note**

For complete syntax and usage information for the commands used in this chapter, see the “RADIUS Commands” section in the *Cisco IOS Security Command Reference, Release 3SE*

Port-Based Authentication Process

To configure IEEE 802.1X port-based authentication, you must enable authentication, authorization, and accounting (AAA) and specify the authentication method list. A method list describes the sequence and authentication method to be queried to authenticate a user.

The AAA process begins with authentication. When 802.1x port-based authentication is enabled and the client supports 802.1x-compliant client software, these events occur:

- If the client identity is valid and the 802.1x authentication succeeds, the switch grants the client access to the network.
- If 802.1x authentication times out while waiting for an EAPOL message exchange and MAC authentication bypass is enabled, the switch can use the client MAC address for authorization. If the client MAC address is valid and the authorization succeeds, the switch grants the client access to the network. If the client MAC address is invalid and the authorization fails, the switch assigns the client to a guest VLAN that provides limited services if a guest VLAN is configured.
- If the switch gets an invalid identity from an 802.1x-capable client and a restricted VLAN is specified, the switch can assign the client to a restricted VLAN that provides limited services.

- If the RADIUS authentication server is unavailable (down) and inaccessible authentication bypass is enabled, the switch grants the client access to the network by putting the port in the critical-authentication state in the RADIUS-configured or the user-specified access VLAN.

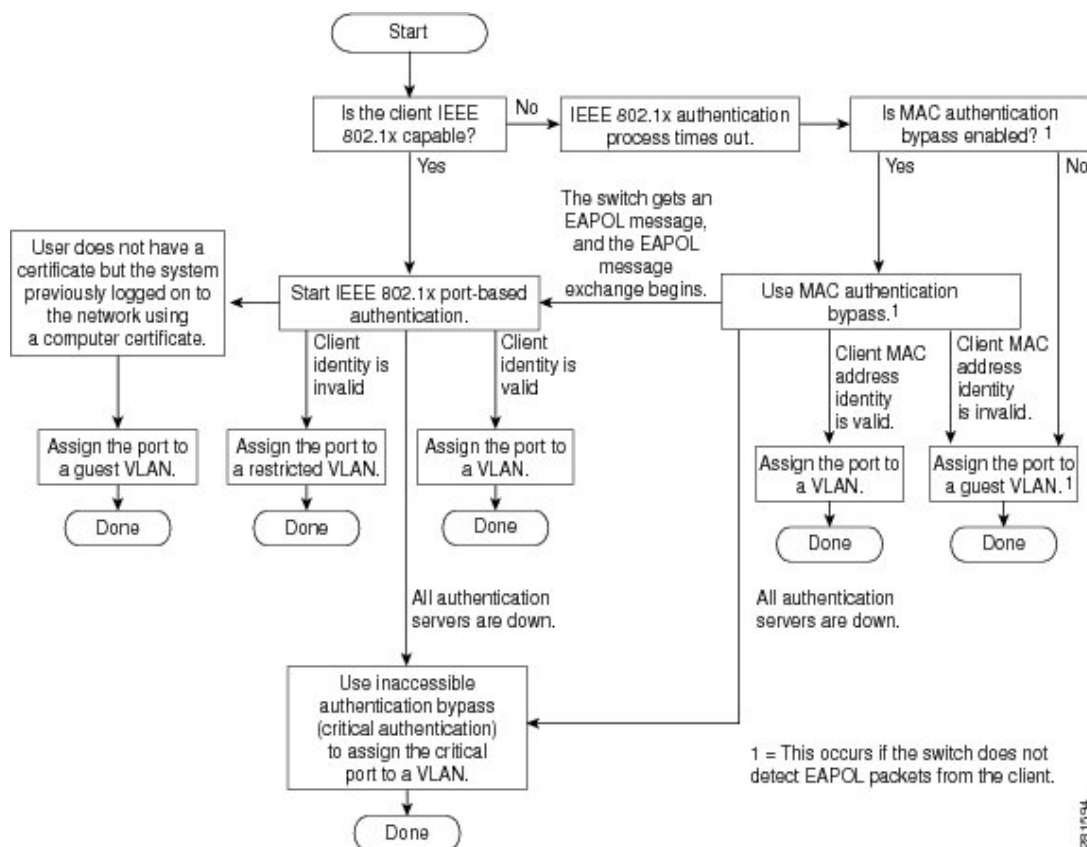


Note Inaccessible authentication bypass is also referred to as critical authentication or the AAA fail policy.

If Multi Domain Authentication (MDA) is enabled on a port, this flow can be used with some exceptions that are applicable to voice authorization.

This figure shows the authentication process.

Figure 18: Authentication Flowchart



The switch re-authenticates a client when one of these situations occurs:

- Periodic re-authentication is enabled, and the re-authentication timer expires.

You can configure the re-authentication timer to use a switch-specific value or to be based on values from the RADIUS server.

After 802.1x authentication using a RADIUS server is configured, the switch uses timers based on the Session-Timeout RADIUS attribute (Attribute[27]) and the Termination-Action RADIUS attribute (Attribute [29]).

The Session-Timeout RADIUS attribute (Attribute[27]) specifies the time after which re-authentication occurs.

The Termination-Action RADIUS attribute (Attribute [29]) specifies the action to take during re-authentication. The actions are *Initialize* and *ReAuthenticate*. When the *Initialize* action is set (the attribute value is *DEFAULT*), the 802.1x session ends, and connectivity is lost during re-authentication. When the *ReAuthenticate* action is set (the attribute value is RADIUS-Request), the session is not affected during re-authentication.

- You manually re-authenticate the client by entering the **dot1x re-authenticate interface interface-id** privileged EXEC command.

Port-Based Authentication Initiation and Message Exchange

During 802.1x authentication, the switch or the client can initiate authentication. If you enable authentication on a port by using the **authentication port-control auto** interface configuration command, the switch initiates authentication when the link state changes from down to up or periodically as long as the port remains up and unauthenticated. The switch sends an EAP-request/identity frame to the client to request its identity. Upon receipt of the frame, the client responds with an EAP-response/identity frame.

However, if during bootup, the client does not receive an EAP-request/identity frame from the switch, the client can initiate authentication by sending an EAPOL-start frame, which prompts the switch to request the client's identity.



Note

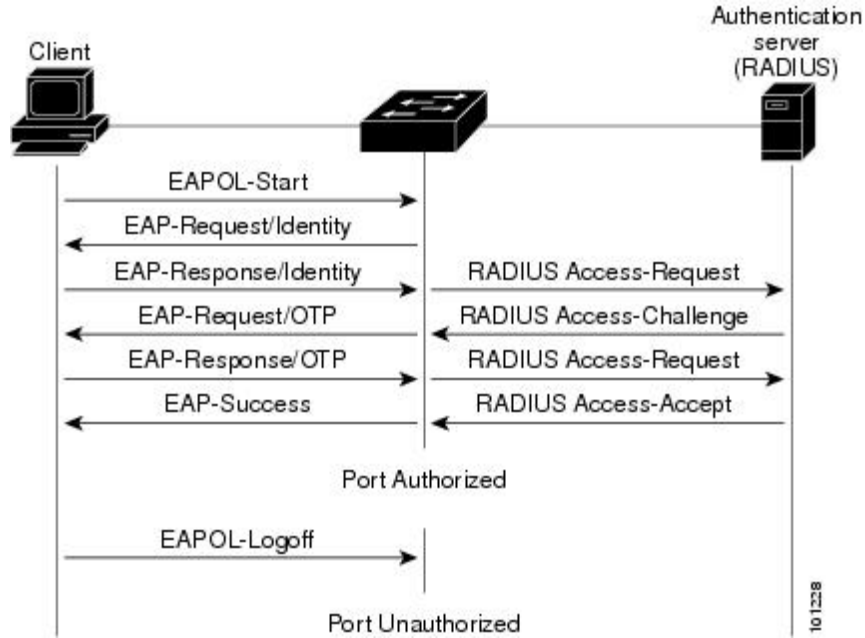
If 802.1x authentication is not enabled or supported on the network access device, any EAPOL frames from the client are dropped. If the client does not receive an EAP-request/identity frame after three attempts to start authentication, the client sends frames as if the port is in the authorized state. A port in the authorized state effectively means that the client has been successfully authenticated.

When the client supplies its identity, the switch begins its role as the intermediary, passing EAP frames between the client and the authentication server until authentication succeeds or fails. If the authentication succeeds, the switch port becomes authorized. If the authentication fails, authentication can be retried, the port might be assigned to a VLAN that provides limited services, or network access is not granted.

The specific exchange of EAP frames depends on the authentication method being used.

This figure shows a message exchange initiated by the client when the client uses the One-Time-Password (OTP) authentication method with a RADIUS server.

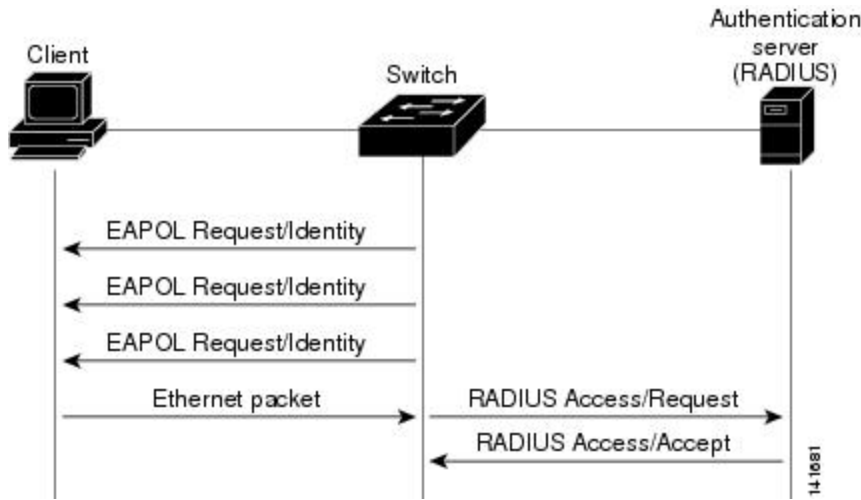
Figure 19: Message Exchange



If 802.1x authentication times out while waiting for an EAPOL message exchange and MAC authentication bypass is enabled, the switch can authorize the client when the switch detects an Ethernet packet from the client. The switch uses the MAC address of the client as its identity and includes this information in the RADIUS-access/request frame that is sent to the RADIUS server. After the server sends the switch the RADIUS-access/accept frame (authorization is successful), the port becomes authorized. If authorization fails and a guest VLAN is specified, the switch assigns the port to the guest VLAN. If the switch detects an EAPOL packet while waiting for an Ethernet packet, the switch stops the MAC authentication bypass process and starts 802.1x authentication.

This figure shows the message exchange during MAC authentication bypass.

Figure 20: Message Exchange During MAC Authentication Bypass



Authentication Manager for Port-Based Authentication

Port-Based Authentication Methods

Table 25: 802.1x Features

Authentication method	Mode			
	Single host	Multiple host	MDA	Multiple Authentication
802.1x	VLAN assignment Per-user ACL Filter-ID attribute Downloadable ACL ⁹ Redirect URL	VLAN assignment	VLAN assignment Per-user ACL Filter-Id attribute Downloadable ACL Redirect URL	VLAN assignment Per-user ACL Filter-Id attribute Downloadable ACL Redirect URL

Authentication method	Mode			
	Single host	Multiple host	MDA	Multiple Authentication
MAC authentication bypass	VLAN assignment Per-user ACL Filter-ID attribute Downloadable ACL Redirect URL	VLAN assignment	VLAN assignment Per-user ACL Filter-Id attribute Downloadable ACL Redirect URL	VLAN assignment Per-user ACL Filter-Id attribute Downloadable ACL Redirect URL
Standalone web authentication	Proxy ACL, Filter-Id attribute, downloadable ACL			
NAC Layer 2 IP validation	Filter-Id attribute Downloadable ACL Redirect URL	Filter-Id attribute Downloadable ACL Redirect URL	Filter-Id attribute Downloadable ACL Redirect URL	Filter-Id attribute Downloadable ACL Redirect URL
Web authentication as fallback method ¹⁰	Proxy ACL Filter-Id attribute Downloadable ACL	Proxy ACL Filter-Id attribute Downloadable ACL	Proxy ACL Filter-Id attribute Downloadable ACL	Proxy ACL Filter-Id attribute Downloadable ACL

⁹ Supported in Cisco IOS Release 12.2(50)SE and later.

¹⁰ For clients that do not support 802.1x authentication.

Per-User ACLs and Filter-Ids



Note You can only set **any** as the source in the ACL.



Note For any ACL configured for multiple-host mode, the source portion of statement must be *any*. (For example, **permit icmp any host 10.10.1.1**.)

You must specify **any** in the source ports of any defined ACL. Otherwise, the ACL cannot be applied and authorization fails. Single host is the only exception to support backward compatibility.

More than one host can be authenticated on MDA-enabled and multiauth ports. The ACL policy applied for one host does not effect the traffic of another host. If only one host is authenticated on a multi-host port, and the other hosts gain network access without authentication, the ACL policy for the first host can be applied to the other connected hosts by specifying any in the source address.

Port-Based Authentication Manager CLI Commands

The authentication-manager interface-configuration commands control all the authentication methods, such as 802.1x, MAC authentication bypass, and web authentication. The authentication manager commands determine the priority and order of authentication methods applied to a connected host.

The authentication manager commands control generic authentication features, such as host-mode, violation mode, and the authentication timer. Generic authentication commands include the **authentication host-mode**, **authentication violation**, and **authentication timer** interface configuration commands.

802.1x-specific commands begin with the **dot1x** keyword. For example, the **authentication port-control auto** interface configuration command enables authentication on an interface. However, the **dot1x system-authentication control** global configuration command only globally enables or disables 802.1x authentication.



Note

If 802.1x authentication is globally disabled, other authentication methods are still enabled on that port, such as web authentication.

The **authentication manager** commands provide the same functionality as earlier 802.1x commands.

When filtering out verbose system messages generated by the authentication manager, the filtered content typically relates to authentication success. You can also filter verbose messages for 802.1x authentication and MAB authentication. There is a separate command for each authentication method:

- The **no authentication logging verbose** global configuration command filters verbose messages from the authentication manager.
- The **no dot1x logging verbose** global configuration command filters 802.1x authentication verbose messages.
- The **no mab logging verbose** global configuration command filters MAC authentication bypass (MAB) verbose messages

Table 26: Authentication Manager Commands and Earlier 802.1x Commands

The authentication manager commands in Cisco IOS Release 12.2(50)SE or later	The equivalent 802.1x commands in Cisco IOS Release 12.2(46)SE and earlier	Description
authentication control-direction {both in}	dot1x control-direction {both in}	Enable 802.1x authentication with the wake-on-LAN (WoL) feature, and configure the port control as unidirectional or bidirectional.
authentication event	dot1x auth-fail vlan dot1x critical (interface configuration) dot1x guest-vlan6	Enable the restricted VLAN on a port. Enable the inaccessible-authentication-bypass feature. Specify an active VLAN as an 802.1x guest VLAN.

The authentication manager commands in Cisco IOS Release 12.2(50)SE or later	The equivalent 802.1x commands in Cisco IOS Release 12.2(46)SE and earlier	Description
authentication fallback <i>fallback-profile</i>	dot1x fallback <i>fallback-profile</i>	Configure a port to use web authentication as a fallback method for clients that do not support 802.1x authentication.
authentication host-mode [multi-auth multi-domain multi-host single-host]	dot1x host-mode { single-host multi-host multi-domain }	Allow a single host (client) or multiple hosts on an 802.1x-authorized port.
authentication order	mab	Provides the flexibility to define the order of authentication methods to be used.
authentication periodic	dot1x reauthentication	Enable periodic re-authentication of the client.
authentication port-control { auto force-authorized force-un authorized }	dot1x port-control { auto force-authorized force-unauthorized }	Enable manual control of the authorization state of the port.
authentication timer	dot1x timeout	Set the 802.1x timers.
authentication violation { protect restrict shutdown }	dot1x violation-mode { shutdown restrict protect }	Configure the violation modes that occur when a new device connects to a port or when a new device connects to a port after the maximum number of devices are connected to that port.

Ports in Authorized and Unauthorized States

During 802.1x authentication, depending on the switch port state, the switch can grant a client access to the network. The port starts in the *unauthorized* state. While in this state, the port that is not configured as a voice VLAN port disallows all ingress and egress traffic except for 802.1x authentication, CDP, and STP packets. When a client is successfully authenticated, the port changes to the *authorized* state, allowing all traffic for the client to flow normally. If the port is configured as a voice VLAN port, the port allows VoIP traffic and 802.1x protocol packets before the client is successfully authenticated.



Note

CDP bypass is not supported and may cause a port to go into err-disabled state.

If a client that does not support 802.1x authentication connects to an unauthorized 802.1x port, the switch requests the client's identity. In this situation, the client does not respond to the request, the port remains in the unauthorized state, and the client is not granted access to the network.

In contrast, when an 802.1x-enabled client connects to a port that is not running the 802.1x standard, the client initiates the authentication process by sending the EAPOL-start frame. When no response is received, the

client sends the request for a fixed number of times. Because no response is received, the client begins sending frames as if the port is in the authorized state.

You control the port authorization state by using the **authentication port-control** interface configuration command and these keywords:

- **force-authorized**—disables 802.1x authentication and causes the port to change to the authorized state without any authentication exchange required. The port sends and receives normal traffic without 802.1x-based authentication of the client. This is the default setting.
- **force-unauthorized**—causes the port to remain in the unauthorized state, ignoring all attempts by the client to authenticate. The switch cannot provide authentication services to the client through the port.
- **auto**—enables 802.1x authentication and causes the port to begin in the unauthorized state, allowing only EAPOL frames to be sent and received through the port. The authentication process begins when the link state of the port changes from down to up or when an EAPOL-start frame is received. The switch requests the identity of the client and begins relaying authentication messages between the client and the authentication server. Each client attempting to access the network is uniquely identified by the switch by using the client MAC address.

If the client is successfully authenticated (receives an Accept frame from the authentication server), the port state changes to authorized, and all frames from the authenticated client are allowed through the port. If the authentication fails, the port remains in the unauthorized state, but authentication can be retried. If the authentication server cannot be reached, the switch can resend the request. If no response is received from the server after the specified number of attempts, authentication fails, and network access is not granted.

When a client logs off, it sends an EAPOL-logoff message, causing the switch port to change to the unauthorized state.

If the link state of a port changes from up to down, or if an EAPOL-logoff frame is received, the port returns to the unauthorized state.

Port-Based Authentication and Switch Stacks

If a switch is added to or removed from a switch stack, 802.1x authentication is not affected as long as the IP connectivity between the RADIUS server and the stack remains intact. This statement also applies if the stack master is removed from the switch stack. Note that if the stack master fails, a stack member becomes the new stack master by using the election process, and the 802.1x authentication process continues as usual.

If IP connectivity to the RADIUS server is interrupted because the switch that was connected to the server is removed or fails, these events occur:

- Ports that are already authenticated and that do not have periodic re-authentication enabled remain in the authenticated state. Communication with the RADIUS server is not required.
- Ports that are already authenticated and that have periodic re-authentication enabled (with the **dot1x re-authentication** global configuration command) fail the authentication process when the re-authentication occurs. Ports return to the unauthenticated state during the re-authentication process. Communication with the RADIUS server is required.

For an ongoing authentication, the authentication fails immediately because there is no server connectivity.

If the switch that failed comes up and rejoins the switch stack, the authentications might or might not fail depending on the boot-up time and whether the connectivity to the RADIUS server is re-established by the time the authentication is attempted.

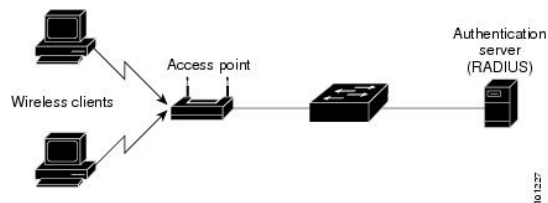
To avoid loss of connectivity to the RADIUS server, you should ensure that there is a redundant connection to it. For example, you can have a redundant connection to the stack master and another to a stack member, and if the stack master fails, the switch stack still has connectivity to the RADIUS server.

802.1x Host Mode

You can configure an 802.1x port for single-host or for multiple-hosts mode. In single-host mode, only one client can be connected to the 802.1x-enabled switch port. The switch detects the client by sending an EAPOL frame when the port link state changes to the up state. If a client leaves or is replaced with another client, the switch changes the port link state to down, and the port returns to the unauthorized state.

In multiple-hosts mode, you can attach multiple hosts to a single 802.1x-enabled port. In this mode, only one of the attached clients must be authorized for all clients to be granted network access. If the port becomes unauthorized (re-authentication fails or an EAPOL-logoff message is received), the switch denies network access to all of the attached clients. In this topology, the wireless access point is responsible for authenticating the clients attached to it, and it also acts as a client to the switch.

Figure 21: Multiple Host Mode Example



Note For all host modes, the line protocol stays up before authorization when port-based authentication is configured.

The switch supports multidomain authentication (MDA), which allows both a data device and a voice device, such as an IP Phone (Cisco or non-Cisco), to connect to the same switch port.

802.1x Multiple Authentication Mode

Multiple-authentication (multiauth) mode allows multiple authenticated clients on the data VLAN. Each host is individually authenticated. If a voice VLAN is configured, this mode also allows one client on the VLAN. (If the port detects any additional voice clients, they are discarded from the port, but no violation errors occur.)

If a hub or access point is connected to an 802.1x-enabled port, each connected client must be authenticated. For non-802.1x devices, you can use MAC authentication bypass or web authentication as the per-host authentication fallback method to authenticate different hosts with different methods on a single port.

There is no limit to the number of data hosts can authenticate on a multiauthport. However, only one voice device is allowed if the voice VLAN is configured. Since there is no host limit defined violation will not be trigger, if a second voice is seen we silently discard it but do not trigger violation. For MDA functionality on the voice VLAN, multiple-authentication mode assigns authenticated devices to either a data or a voice VLAN, depending on the VSAs received from the authentication server.

**Note**

When a port is in multiple-authentication mode, the guest VLAN and the authentication-failed VLAN features do not activate.

You can assign a RADIUS-server-supplied VLAN in multi-auth mode, under the following conditions:

- The host is the first host authorized on the port, and the RADIUS server supplies VLAN information
- Subsequent hosts are authorized with a VLAN that matches the operational VLAN.
- A host is authorized on the port with no VLAN assignment, and subsequent hosts either have no VLAN assignment, or their VLAN information matches the operational VLAN.
- The first host authorized on the port has a group VLAN assignment, and subsequent hosts either have no VLAN assignment, or their group VLAN matches the group VLAN on the port. Subsequent hosts must use the same VLAN from the VLAN group as the first host. If a VLAN list is used, all hosts are subject to the conditions specified in the VLAN list.
- Only one voice VLAN assignment is supported on a multi-auth port.
- After a VLAN is assigned to a host on the port, subsequent hosts must have matching VLAN information or be denied access to the port.
- You cannot configure a guest VLAN or an auth-fail VLAN in multi-auth mode.
- The behavior of the critical-auth VLAN is not changed for multi-auth mode. When a host tries to authenticate and the server is not reachable, all authorized hosts are reinitialized in the configured VLAN.

Multi-auth Per User VLAN assignment

**Note**

This feature is supported only on Catalyst 2960X switches running the LAN base image

The Multi-auth Per User VLAN assignment feature allows you to create multiple operational access VLANs based on VLANs assigned to the clients on the port that has a single configured access VLAN. The port configured as an access port where the traffic for all the VLANs associated with data domain is not dot1q tagged, and these VLANs are treated as native VLANs.

The number of hosts per multi-auth port is 8, however there can be more hosts.

**Note**

The Multi-auth Per User VLAN assignment feature is not supported for Voice domain. All clients in Voice domain on a port must use the same VLAN.

The following scenarios are associated with the multi-auth Per User VLAN assignments:

Scenario one

When a hub is connected to an access port, and the port is configured with an access VLAN (V0).

The host (H1) is assigned to VLAN (V1) through the hub. The operational VLAN of the port is changed to V1. This behaviour is similar on a single-host or multi-domain-auth port.

When a second host (H2) is connected and gets assigned to VLAN (V2), the port will have two operational VLANs (V1 and V2). If H1 and H2 sends untagged ingress traffic, H1 traffic is mapped to VLAN (V1) and H2 traffic to VLAN (V2), all egress traffic going out of the port on VLAN (V1) and VLAN (V2) are untagged.

If both the hosts, H1 and H2 are logged out or the sessions are removed due to some reason then VLAN (V1) and VLAN (V2) are removed from the port, and the configured VLAN (V0) is restored on the port.

Scenario two

When a hub is connected to an access port, and the port is configured with an access VLAN (V0). The host (H1) is assigned to VLAN (V1) through the hub. The operational VLAN of the port is changed to V1.

When a second host (H2) is connected and gets authorized without explicit vlan policy, H2 is expected to use the configured VLAN (V0) that is restored on the port. A ll egress traffic going out of two operational VLANs, VLAN (V0) and VLAN (V1) are untagged.

If host (H2) is logged out or the session is removed due to some reason then the configured VLAN (V0) is removed from the port, and VLAN (V1) becomes the only operational VLAN on the port.

Scenario three

When a hub is connected to an access port in open mode, and the port is configured with an access VLAN (V0) .

The host (H1) is assigned to VLAN (V1) through the hub. The operational VLAN of the port is changed to V1. When a second host (H2) is connected and remains unauthorized, it still has access to operational VLAN (V1) due to open mode.

If host H1 is logged out or the session is removed due to some reason, VLAN (V1) is removed from the port and host (H2) gets assigned to VLAN (V0).



Note

The combination of Open mode and VLAN assignment has an adverse affect on host (H2) because it has an IP address in the subnet that corresponds to VLAN (V1).

Limitation in Multi-auth Per User VLAN assignment

In the Multi-auth Per User VLAN assignment feature, egress traffic from multiple vlans are untagged on a port where the hosts receive traffic that is not meant for them. This can be a problem with broadcast and multicast traffic.

- **IPv4 ARPs:** Hosts receive ARP packets from other subnets. This is a problem if two subnets in different Virtual Routing and Forwarding (VRF) tables with overlapping IP address range are active on the port. The host ARP cache may get invalid entries.
- **IPv6 control packets:** In IPv6 deployments, Router Advertisements (RA) are processed by hosts that are not supposed to receive them. When a host from one VLAN receives RA from a different VLAN, the host assign incorrect IPv6 address to itself. Such a host is unable to get access to the network.

The workaround is to enable the IPv6 first hop security so that the broadcast ICMPv6 packets are converted to unicast and sent out from multi-auth enabled ports.. The packet is replicated for each client in multi-auth port belonging to the VLAN and the destination MAC is set to an individual client. Ports having one VLAN, ICMPv6 packets broadcast normally.

- **IP multicast:** Multicast traffic destined to a multicast group gets replicated for different VLANs if the hosts on those VLANs join the multicast group. When two hosts in different VLANs join a multicast group (on the same mutli-auth port), two copies of each multicast packet are sent out from that port.

MAC Move

When a MAC address is authenticated on one switch port, that address is not allowed on another authentication manager-enabled port of the switch. If the switch detects that same MAC address on another authentication manager-enabled port, the address is not allowed.

There are situations where a MAC address might need to move from one port to another on the same switch. For example, when there is another device (for example a hub or an IP phone) between an authenticated host and a switch port, you might want to disconnect the host from the device and connect it directly to another port on the same switch.

You can globally enable MAC move so the device is reauthenticated on the new port. When a host moves to a second port, the session on the first port is deleted, and the host is reauthenticated on the new port. MAC move is supported on all host modes. (The authenticated host can move to any port on the switch, no matter which host mode is enabled on the that port.) When a MAC address moves from one port to another, the switch terminates the authenticated session on the original port and initiates a new authentication sequence on the new port. The MAC move feature applies to both voice and data hosts.

**Note**

In open authentication mode, a MAC address is immediately moved from the original port to the new port, with no requirement for authorization on the new port.

MAC Replace

The MAC replace feature can be configured to address the violation that occurs when a host attempts to connect to a port where another host was previously authenticated.

**Note**

This feature does not apply to ports in multi-auth mode, because violations are not triggered in that mode. It does not apply to ports in multiple host mode, because in that mode, only the first host requires authentication.

If you configure the **authentication violation** interface configuration command with the **replace** keyword, the authentication process on a port in multi-domain mode is:

- A new MAC address is received on a port with an existing authenticated MAC address.
- The authentication manager replaces the MAC address of the current data host on the port with the new MAC address.
- The authentication manager initiates the authentication process for the new MAC address.
- If the authentication manager determines that the new host is a voice host, the original voice host is removed.

If a port is in open authentication mode, any new MAC address is immediately added to the MAC address table.

802.1x Accounting

The 802.1x standard defines how users are authorized and authenticated for network access but does not keep track of network usage. 802.1x accounting is disabled by default. You can enable 802.1x accounting to monitor this activity on 802.1x-enabled ports:

- User successfully authenticates.
- User logs off.
- Link-down occurs.
- Re-authentication successfully occurs.
- Re-authentication fails.

The switch does not log 802.1x accounting information. Instead, it sends this information to the RADIUS server, which must be configured to log accounting messages.

802.1x Accounting Attribute-Value Pairs

The information sent to the RADIUS server is represented in the form of Attribute-Value (AV) pairs. These AV pairs provide data for different applications. (For example, a billing application might require information that is in the Acct-Input-Octets or the Acct-Output-Octets attributes of a RADIUS packet.)

AV pairs are automatically sent by a switch that is configured for 802.1x accounting. Three types of RADIUS accounting packets are sent by a switch:

- START—sent when a new user session starts
- INTERIM—sent during an existing session for updates
- STOP—sent when a session terminates

You can view the AV pairs that are being sent by the switch by entering the **debug radius accounting** privileged EXEC command. For more information about this command, see the *Cisco IOS Debug Command Reference, Release 12.4*.

This table lists the AV pairs and when they are sent are sent by the switch.

Table 27: Accounting AV Pairs

Attribute Number	AV Pair Name	START	INTERIM	STOP
Attribute[1]	User-Name	Always	Always	Always
Attribute[4]	NAS-IP-Address	Always	Always	Always
Attribute[5]	NAS-Port	Always	Always	Always
Attribute[8]	Framed-IP-Address	Never	Sometimes ¹¹	Sometimes
Attribute[25]	Class	Always	Always	Always

Attribute Number	AV Pair Name	START	INTERIM	STOP
Attribute[30]	Called-Station-ID	Always	Always	Always
Attribute[31]	Calling-Station-ID	Always	Always	Always
Attribute[40]	Acct-Status-Type	Always	Always	Always
Attribute[41]	Acct-Delay-Time	Always	Always	Always
Attribute[42]	Acct-Input-Octets	Never	Always	Always
Attribute[43]	Acct-Output-Octets	Never	Always	Always
Attribute[47]	Acct-Input-Packets	Never	Always	Always
Attribute[48]	Acct-Output-Packets	Never	Always	Always
Attribute[44]	Acct-Session-ID	Always	Always	Always
Attribute[45]	Acct-Authentic	Always	Always	Always
Attribute[46]	Acct-Session-Time	Never	Always	Always
Attribute[49]	Acct-Terminate-Cause	Never	Never	Always
Attribute[61]	NAS-Port-Type	Always	Always	Always

- ¹¹ The Framed-IP-Address AV pair is sent when a valid static IP address is configured or w when a Dynamic Host Control Protocol (DHCP) binding exists for the host in the DHCP snooping bindings table.

802.1x Readiness Check

The 802.1x readiness check monitors 802.1x activity on all the switch ports and displays information about the devices connected to the ports that support 802.1x. You can use this feature to determine if the devices connected to the switch ports are 802.1x-capable. You use an alternate authentication such as MAC authentication bypass or web authentication for the devices that do not support 802.1x functionality.

This feature only works if the supplicant on the client supports a query with the NOTIFY EAP notification packet. The client must respond within the 802.1x timeout value.

Related Topics

[Configuring 802.1x Readiness Check, on page 307](#)

Switch-to-RADIUS-Server Communication

RADIUS security servers are identified by their hostname or IP address, hostname and specific UDP port numbers, or IP address and specific UDP port numbers. The combination of the IP address and UDP port

number creates a unique identifier, which enables RADIUS requests to be sent to multiple UDP ports on a server at the same IP address. If two different host entries on the same RADIUS server are configured for the same service—for example, authentication—the second host entry configured acts as the fail-over backup to the first one. The RADIUS host entries are tried in the order that they were configured.

Related Topics

[Configuring the Switch-to-RADIUS-Server Communication](#), on page 316

802.1x Authentication with VLAN Assignment

The switch supports 802.1x authentication with VLAN assignment. After successful 802.1x authentication of a port, the RADIUS server sends the VLAN assignment to configure the switch port. The RADIUS server database maintains the username-to-VLAN mappings, assigning the VLAN based on the username of the client connected to the switch port. You can use this feature to limit network access for certain users.

Voice device authentication is supported with multidomain host mode in Cisco IOS Release 12.2(37)SE. In Cisco IOS Release 12.2(40)SE and later, when a voice device is authorized and the RADIUS server returned an authorized VLAN, the voice VLAN on the port is configured to send and receive packets on the assigned voice VLAN. Voice VLAN assignment behaves the same as data VLAN assignment on multidomain authentication (MDA)-enabled ports.

When configured on the switch and the RADIUS server, 802.1x authentication with VLAN assignment has these characteristics:

- If no VLAN is supplied by the RADIUS server or if 802.1x authentication is disabled, the port is configured in its access VLAN after successful authentication. Recall that an access VLAN is a VLAN assigned to an access port. All packets sent from or received on this port belong to this VLAN.
- If 802.1x authentication is enabled but the VLAN information from the RADIUS server is not valid, authorization fails and configured VLAN remains in use. This prevents ports from appearing unexpectedly in an inappropriate VLAN because of a configuration error.

Configuration errors could include specifying a VLAN for a routed port, a malformed VLAN ID, a nonexistent or internal (routed port) VLAN ID, an RSPAN VLAN, a shut down or suspended VLAN. In the case of a multidomain host port, configuration errors can also be due to an attempted assignment of a data VLAN that matches the configured or assigned voice VLAN ID (or the reverse).

- If 802.1x authentication is enabled and all information from the RADIUS server is valid, the authorized device is placed in the specified VLAN after authentication.
- If the multiple-hosts mode is enabled on an 802.1x port, all hosts are placed in the same VLAN (specified by the RADIUS server) as the first authenticated host.
- Enabling port security does not impact the RADIUS server-assigned VLAN behavior.
- If 802.1x authentication is disabled on the port, it is returned to the configured access VLAN and configured voice VLAN.
- If an 802.1x port is authenticated and put in the RADIUS server-assigned VLAN, any change to the port access VLAN configuration does not take effect. In the case of a multidomain host, the same applies to voice devices when the port is fully authorized with these exceptions:
 - If the VLAN configuration change of one device results in matching the other device configured or assigned VLAN, then authorization of all devices on the port is terminated and multidomain

host mode is disabled until a valid configuration is restored where data and voice device configured VLANs no longer match.

- If a voice device is authorized and is using a downloaded voice VLAN, the removal of the voice VLAN configuration, or modifying the configuration value to `dot1p` or `untagged` results in voice device un-authorization and the disablement of multi-domain host mode.

When the port is in the force authorized, force unauthorized, unauthorized, or shutdown state, it is put into the configured access VLAN.

If an 802.1x port is authenticated and put in the RADIUS server-assigned VLAN, any change to the port access VLAN configuration does not take effect. In the case of a multidomain host, the same applies to voice devices when the port is fully authorized with these exceptions:

- If the VLAN configuration change of one device results in matching the other device configured or assigned VLAN, authorization of all devices on the port is terminated and multidomain host mode is disabled until a valid configuration is restored where data and voice device configured VLANs no longer match.
- If a voice device is authorized and is using a downloaded voice VLAN, the removal of the voice VLAN configuration, or modifying the configuration value to `dot1p` or `untagged` results in voice device un-authorization and the disablement of multi-domain host mode.

When the port is in the force authorized, force unauthorized, unauthorized, or shutdown state, it is put into the configured access VLAN.

The 802.1x authentication with VLAN assignment feature is not supported on trunk ports, dynamic ports, or with dynamic-access port assignment through a VLAN Membership Policy Server (VMPS).

To configure VLAN assignment you need to perform these tasks:

- Enable AAA authorization by using the **network** keyword to allow interface configuration from the RADIUS server.
- Enable 802.1x authentication. (The VLAN assignment feature is automatically enabled when you configure 802.1x authentication on an access port).
- Assign vendor-specific tunnel attributes in the RADIUS server. The RADIUS server must return these attributes to the switch:
 - [64] Tunnel-Type = VLAN
 - [65] Tunnel-Medium-Type = 802
 - [81] Tunnel-Private-Group-ID = VLAN name or VLAN ID
 - [83] Tunnel-Preference

Attribute [64] must contain the value *VLAN* (type 13). Attribute [65] must contain the value *802* (type 6). Attribute [81] specifies the *VLAN name* or *VLAN ID* assigned to the IEEE 802.1x-authenticated user.

802.1x Authentication with Per-User ACLs

You can enable per-user access control lists (ACLs) to provide different levels of network access and service to an 802.1x-authenticated user. When the RADIUS server authenticates a user connected to an 802.1x port,

it retrieves the ACL attributes based on the user identity and sends them to the switch. The switch applies the attributes to the 802.1x port for the duration of the user session. The switch removes the per-user ACL configuration when the session is over, if authentication fails, or if a link-down condition occurs. The switch does not save RADIUS-specified ACLs in the running configuration. When the port is unauthorized, the switch removes the ACL from the port.

You can configure router ACLs and input port ACLs on the same switch. However, a port ACL takes precedence over a router ACL. If you apply input port ACL to an interface that belongs to a VLAN, the port ACL takes precedence over an input router ACL applied to the VLAN interface. Incoming packets received on the port to which a port ACL is applied are filtered by the port ACL. Incoming routed packets received on other ports are filtered by the router ACL. Outgoing routed packets are filtered by the router ACL. To avoid configuration conflicts, you should carefully plan the user profiles stored on the RADIUS server.

RADIUS supports per-user attributes, including vendor-specific attributes. These vendor-specific attributes (VSAs) are in octet-string format and are passed to the switch during the authentication process. The VSAs used for per-user ACLs are `inacl#<n>` for the ingress direction and `outacl#<n>` for the egress direction. MAC ACLs are supported only in the ingress direction. The switch supports VSAs only in the ingress direction. It does not support port ACLs in the egress direction on Layer 2 ports.

Use only the extended ACL syntax style to define the per-user configuration stored on the RADIUS server. When the definitions are passed from the RADIUS server, they are created by using the extended naming convention. However, if you use the Filter-Id attribute, it can point to a standard ACL.

You can use the Filter-Id attribute to specify an inbound or outbound ACL that is already configured on the switch. The attribute contains the ACL number followed by `.in` for ingress filtering or `.out` for egress filtering. If the RADIUS server does not allow the `.in` or `.out` syntax, the access list is applied to the outbound ACL by default. Because of limited support of Cisco IOS access lists on the switch, the Filter-Id attribute is supported only for IP ACLs numbered 1 to 199 and 1300 to 2699 (IP standard and IP extended ACLs).

The maximum size of the per-user ACL is 4000 ASCII characters but is limited by the maximum size of RADIUS-server per-user ACLs.

To configure per-user ACLs:

- Enable AAA authentication.
- Enable AAA authorization by using the **network** keyword to allow interface configuration from the RADIUS server.
- Enable 802.1x authentication.
- Configure the user profile and VSAs on the RADIUS server.
- Configure the 802.1x port for single-host mode.

**Note**

Per-user ACLs are supported only in single-host mode.

802.1x Authentication with Downloadable ACLs and Redirect URLs

You can download ACLs and redirect URLs from a RADIUS server to the switch during 802.1x authentication or MAC authentication bypass of the host. You can also download ACLs during web authentication.



Note A downloadable ACL is also referred to as a *dACL*.

If more than one host is authenticated and the host is in single-host, MDA, or multiple-authentication mode, the switch changes the source address of the ACL to the host IP address.

You can apply the ACLs and redirect URLs to all the devices connected to the 802.1x-enabled port.

If no ACLs are downloaded during 802.1x authentication, the switch applies the static default ACL on the port to the host. On a voice VLAN port configured in multi-auth or MDA mode, the switch applies the ACL only to the phone as part of the authorization policies.

Beginning with Cisco IOS Release 12.2(55)SE, if there is no static ACL on a port, a dynamic auth-default ACL is created, and policies are enforced before dACLs are downloaded and applied.



Note The auth-default-ACL does not appear in the running configuration.

The auth-default ACL is created when at least one host with an authorization policy is detected on the port. The auth-default ACL is removed from the port when the last authenticated session ends. You can configure the auth-default ACL by using the **ip access-list extended auth-default-acl** global configuration command.



Note The auth-default-ACL does not support Cisco Discovery Protocol (CDP) bypass in the single host mode. You must configure a static ACL on the interface to support CDP bypass.

The 802.1x and MAB authentication methods support two authentication modes, *open* and *closed*. If there is no static ACL on a port in *closed* authentication mode:

- An auth-default-ACL is created.
- The auth-default-ACL allows only DHCP traffic until policies are enforced.
- When the first host authenticates, the authorization policy is applied without IP address insertion.
- When a second host is detected, the policies for the first host are refreshed, and policies for the first and subsequent sessions are enforced with IP address insertion.

If there is no static ACL on a port in *open* authentication mode:

- An auth-default-ACL-OPEN is created and allows all traffic.
- Policies are enforced with IP address insertion to prevent security breaches.
- Web authentication is subject to the auth-default-ACL-OPEN.

To control access for hosts with no authorization policy, you can configure a directive. The supported values for the directive are *open* and *default*. When you configure the *open* directive, all traffic is allowed. The *default* directive subjects traffic to the access provided by the port. You can configure the directive either in the user profile on the AAA server or on the switch. To configure the directive on the AAA server, use the **authz-directive =<open/default>** global command. To configure the directive on the switch, use the **epm access-control open** global configuration command.



Note The default value of the directive is *default*.

If a host falls back to web authentication on a port without a configured ACL:

- If the port is in open authentication mode, the auth-default-ACL-OPEN is created.
- If the port is in closed authentication mode, the auth-default-ACL is created.

The access control entries (ACEs) in the fallback ACL are converted to per-user entries. If the configured fallback profile does not include a fallback ACL, the host is subject to the auth-default-ACL associated with the port.



Note If you use a custom logo with web authentication and it is stored on an external server, the port ACL must allow access to the external server before authentication. You must either configure a static port ACL or change the auth-default-ACL to provide appropriate access to the external server.

Cisco Secure ACS and Attribute-Value Pairs for the Redirect URL

The switch uses these *cisco-av-pair* VSAs:

- url-redirect is the HTTP or HTTPS URL.
- url-redirect-acl is the switch ACL name or number.

The switch uses the CiscoSecure-defined-ACL attribute value pair to intercept an HTTP or HTTPS request from the end point. The switch then forwards the client web browser to the specified redirect address. The url-redirect AV pair on the Cisco Secure ACS contains the URL to which the web browser is redirected. The url-redirect-acl attribute value pair contains the name or number of an ACL that specifies the HTTP or HTTPS traffic to redirect.



Note

- Traffic that matches a permit ACE in the ACL is redirected.
- Define the URL redirect ACL and the default port ACL on the switch.

If a redirect URL is configured for a client on the authentication server, a default port ACL on the connected client switch port must also be configured.

Cisco Secure ACS and Attribute-Value Pairs for Downloadable ACLs

You can set the CiscoSecure-Defined-ACL Attribute-Value (AV) pair on the Cisco Secure ACS with the RADIUS cisco-av-pair vendor-specific attributes (VSAs). This pair specifies the names of the downloadable ACLs on the Cisco Secure ACS with the #ACL#-IP-name-number attribute.

- The *name* is the ACL name.
- The *number* is the version number (for example, 3f783768).

If a downloadable ACL is configured for a client on the authentication server, a default port ACL on the connected client switch port must also be configured.

If the default ACL is configured on the switch and the Cisco Secure ACS sends a host-access-policy to the switch, it applies the policy to traffic from the host connected to a switch port. If the policy does not apply, the switch applies the default ACL. If the Cisco Secure ACS sends the switch a downloadable ACL, this ACL takes precedence over the default ACL that is configured on the switch port. However, if the switch receives an host access policy from the Cisco Secure ACS but the default ACL is not configured, the authorization failure is declared.

VLAN ID-based MAC Authentication

You can use VLAN ID-based MAC authentication if you wish to authenticate hosts based on a static VLAN ID instead of a downloadable VLAN. When you have a static VLAN policy configured on your switch, VLAN information is sent to an IAS (Microsoft) RADIUS server along with the MAC address of each host for authentication. The VLAN ID configured on the connected port is used for MAC authentication. By using VLAN ID-based MAC authentication with an IAS server, you can have a fixed number of VLANs in the network.

The feature also limits the number of VLANs monitored and handled by STP. The network can be managed as a fixed VLAN.



Note

This feature is not supported on Cisco ACS Server. (The ACS server ignores the sent VLAN-IDs for new hosts and only authenticates based on the MAC address.)

802.1x Authentication with Guest VLAN

You can configure a guest VLAN for each 802.1x port on the switch to provide limited services to clients, such as downloading the 802.1x client. These clients might be upgrading their system for 802.1x authentication, and some hosts, such as Windows 98 systems, might not be IEEE 802.1x-capable.

When you enable a guest VLAN on an 802.1x port, the switch assigns clients to a guest VLAN when the switch does not receive a response to its EAP request/identity frame or when EAPOL packets are not sent by the client.

The switch maintains the EAPOL packet history. If an EAPOL packet is detected on the interface during the lifetime of the link, the switch determines that the device connected to that interface is an IEEE 802.1x-capable supplicant, and the interface does not change to the guest VLAN state. EAPOL history is cleared if the interface link status goes down. If no EAPOL packet is detected on the interface, the interface changes to the guest VLAN state.

If the switch is trying to authorize an 802.1x-capable voice device and the AAA server is unavailable, the authorization attempt fails, but the detection of the EAPOL packet is saved in the EAPOL history. When the AAA server becomes available, the switch authorizes the voice device. However, the switch no longer allows other devices access to the guest VLAN. To prevent this situation, use one of these command sequences:

- Enter the **authentication event no-response action authorize vlan *vlan-id*** interface configuration command to allow access to the guest VLAN.
- Enter the **shutdown** interface configuration command followed by the **no shutdown** interface configuration command to restart the port.

If devices send EAPOL packets to the switch during the lifetime of the link, the switch no longer allows clients that fail authentication access to the guest VLAN.

**Note**

If an EAPOL packet is detected after the interface has changed to the guest VLAN, the interface reverts to an unauthorized state, and 802.1x authentication restarts.

Any number of 802.1x-incapable clients are allowed access when the switch port is moved to the guest VLAN. If an 802.1x-capable client joins the same port on which the guest VLAN is configured, the port is put into the unauthorized state in the user-configured access VLAN, and authentication is restarted.

Guest VLANs are supported on 802.1x ports in single host, multiple host, multi-auth and multi-domain modes.

You can configure any active VLAN except an RSPAN VLAN, a private VLAN, or a voice VLAN as an 802.1x guest VLAN. The guest VLAN feature is not supported on internal VLANs (routed ports) or trunk ports; it is supported only on access ports.

The switch supports *MAC authentication bypass*. When MAC authentication bypass is enabled on an 802.1x port, the switch can authorize clients based on the client MAC address when IEEE 802.1x authentication times out while waiting for an EAPOL message exchange. After detecting a client on an 802.1x port, the switch waits for an Ethernet packet from the client. The switch sends the authentication server a RADIUS-access/request frame with a username and password based on the MAC address. If authorization succeeds, the switch grants the client access to the network. If authorization fails, the switch assigns the port to the guest VLAN if one is specified.

802.1x Authentication with Restricted VLAN

You can configure a restricted VLAN (also referred to as an *authentication failed VLAN*) for each IEEE 802.1x port on a switch stack or a switch to provide limited services to clients that cannot access the guest VLAN. These clients are 802.1x-compliant and cannot access another VLAN because they fail the authentication process. A restricted VLAN allows users without valid credentials in an authentication server (typically, visitors to an enterprise) to access a limited set of services. The administrator can control the services available to the restricted VLAN.

**Note**

You can configure a VLAN to be both the guest VLAN and the restricted VLAN if you want to provide the same services to both types of users.

Without this feature, the client attempts and fails authentication indefinitely, and the switch port remains in the spanning-tree blocking state. With this feature, you can configure the switch port to be in the restricted VLAN after a specified number of authentication attempts (the default value is 3 attempts).

The authenticator counts the failed authentication attempts for the client. When this count exceeds the configured maximum number of authentication attempts, the port moves to the restricted VLAN. The failed attempt count increments when the RADIUS server replies with either an *EAP failure* or an empty response without an EAP packet. When the port moves into the restricted VLAN, the failed attempt counter resets.

Users who fail authentication remain in the restricted VLAN until the next re-authentication attempt. A port in the restricted VLAN tries to re-authenticate at configured intervals (the default is 60 seconds). If re-authentication fails, the port remains in the restricted VLAN. If re-authentication is successful, the port moves either to the configured VLAN or to a VLAN sent by the RADIUS server. You can disable re-authentication. If you do this, the only way to restart the authentication process is for the port to receive a

link down or *EAP logoff* event. We recommend that you keep re-authentication enabled if a client might connect through a hub. When a client disconnects from the hub, the port might not receive the *link down* or *EAP logoff* event.

After a port moves to the restricted VLAN, a simulated EAP success message is sent to the client. This prevents clients from indefinitely attempting authentication. Some clients (for example, devices running Windows XP) cannot implement DHCP without EAP success.

Restricted VLANs are supported on 802.1x ports in all host modes and on Layer 2 ports.

You can configure any active VLAN except an RSPAN VLAN, a primary private VLAN, or a voice VLAN as an 802.1x restricted VLAN. The restricted VLAN feature is not supported on internal VLANs (routed ports) or trunk ports; it is supported only on access ports.

Other security port features such as dynamic ARP Inspection, DHCP snooping, and IP source guard can be configured independently on a restricted VLAN.

802.1x Authentication with Inaccessible Authentication Bypass

Use the inaccessible authentication bypass feature, also referred to as *critical authentication* or the *AAA fail policy*, when the switch cannot reach the configured RADIUS servers and new hosts cannot be authenticated. You can configure the switch to connect those hosts to *critical ports*.

When a new host tries to connect to the critical port, that host is moved to a user-specified access VLAN, the *critical VLAN*. The administrator gives limited authentication to the hosts.

When the switch tries to authenticate a host connected to a critical port, the switch checks the status of the configured RADIUS server. If a server is available, the switch can authenticate the host. However, if all the RADIUS servers are unavailable, the switch grants network access to the host and puts the port in the *critical-authentication* state, which is a special case of the authentication state.



Note

If *critical authentication* is configured on interface, then *vlan* used for critical authorization (*critical vlan*) should be active on the switch. If the *critical vlan* is inactive (or) down, *critical authentication* session will keep trying to enable inactive *vlan* and fail repeatedly. This can lead to large amount of memory holding.

Inaccessible Authentication Bypass Support on Multiple-Authentication Ports

When a port is configured on any host mode and the AAA server is unavailable, the port is then configured to multi-host mode and moved to the critical VLAN. To support this inaccessible bypass on multiple-authentication (multiauth) ports, use the **authentication event server dead action reinitialize vlan *vlan-id*** command. When a new host tries to connect to the critical port, that port is reinitialized and all the connected hosts are moved to the user-specified access VLAN.

This command is supported on all host modes.

Inaccessible Authentication Bypass Authentication Results

The behavior of the inaccessible authentication bypass feature depends on the authorization state of the port:

- If the port is unauthorized when a host connected to a critical port tries to authenticate and all servers are unavailable, the switch puts the port in the critical-authentication state in the RADIUS-configured or user-specified access VLAN.
- If the port is already authorized and reauthentication occurs, the switch puts the critical port in the critical-authentication state in the current VLAN, which might be the one previously assigned by the RADIUS server.
- If the RADIUS server becomes unavailable during an authentication exchange, the current exchange times out, and the switch puts the critical port in the critical-authentication state during the next authentication attempt.

You can configure the critical port to reinitialize hosts and move them out of the critical VLAN when the RADIUS server is again available. When this is configured, all critical ports in the critical-authentication state are automatically re-authenticated.

Inaccessible Authentication Bypass Feature Interactions

Inaccessible authentication bypass interacts with these features:

- Guest VLAN—Inaccessible authentication bypass is compatible with guest VLAN. When a guest VLAN is enabled on 802.1x port, the features interact as follows:
 - If at least one RADIUS server is available, the switch assigns a client to a guest VLAN when the switch does not receive a response to its EAP request/identity frame or when EAPOL packets are not sent by the client.
 - If all the RADIUS servers are not available and the client is connected to a critical port, the switch authenticates the client and puts the critical port in the critical-authentication state in the RADIUS-configured or user-specified access VLAN.
 - If all the RADIUS servers are not available and the client is not connected to a critical port, the switch might not assign clients to the guest VLAN if one is configured.
 - If all the RADIUS servers are not available and if a client is connected to a critical port and was previously assigned to a guest VLAN, the switch keeps the port in the guest VLAN.
- Restricted VLAN—If the port is already authorized in a restricted VLAN and the RADIUS servers are unavailable, the switch puts the critical port in the critical-authentication state in the restricted VLAN.
- 802.1x accounting—Accounting is not affected if the RADIUS servers are unavailable.
- Private VLAN—You can configure inaccessible authentication bypass on a private VLAN host port. The access VLAN must be a secondary private VLAN.
- Voice VLAN—Inaccessible authentication bypass is compatible with voice VLAN, but the RADIUS-configured or user-specified access VLAN and the voice VLAN must be different.
- Remote Switched Port Analyzer (RSPAN)—Do not configure an RSPAN VLAN as the RADIUS-configured or user-specified access VLAN for inaccessible authentication bypass.

In a switch stack:

- The stack master checks the status of the RADIUS servers by sending keepalive packets. When the status of a RADIUS server changes, the stack master sends the information to the stack members. The stack members can then check the status of RADIUS servers when re-authenticating critical ports.

- If the new stack master is elected, the link between the switch stack and RADIUS server might change, and the new stack immediately sends keepalive packets to update the status of the RADIUS servers. If the server status changes from *dead* to *alive*, the switch re-authenticates all switch ports in the critical-authentication state.

When a member is added to the stack, the stack master sends the member the server status.


Note

Switch stacks are supported only on Catalyst 2960-S switches running the LAN base image.

802.1x Critical Voice VLAN

When an IP phone connected to a port is authenticated by the access control server (ACS), the phone is put into the voice domain. If the ACS is not reachable, the switch cannot determine if the device is a voice device. If the server is unavailable, the phone cannot access the voice network and therefore cannot operate.

For data traffic, you can configure inaccessible authentication bypass, or critical authentication, to allow traffic to pass through on the native VLAN when the server is not available. If the RADIUS authentication server is unavailable (down) and inaccessible authentication bypass is enabled, the switch grants the client access to the network and puts the port in the critical-authentication state in the RADIUS-configured or the user-specified access VLAN. When the switch cannot reach the configured RADIUS servers and new hosts cannot be authenticated, the switch connects those hosts to critical ports. A new host trying to connect to the critical port is moved to a user-specified access VLAN, the critical VLAN, and granted limited authentication.

You can enter the **authentication event server dead action authorize voice** interface configuration command to configure the critical voice VLAN feature. When the ACS does not respond, the port goes into critical authentication mode. When traffic coming from the host is tagged with the voice VLAN, the connected device (the phone) is put in the configured voice VLAN for the port. The IP phones learn the voice VLAN identification through CDP (Cisco devices) or through LLDP or DHCP.

You can configure the voice VLAN for a port by entering the **switchport voice vlan *vlan-id*** interface configuration command.

This feature is supported in multidomain and multi-auth host modes. Although you can enter the command when the switch in single-host or multi-host mode, the command has no effect unless the device changes to multidomain or multi-auth host mode.

802.1x User Distribution

You can configure 802.1x user distribution to load-balance users with the same group name across multiple different VLANs.

The VLANs are either supplied by the RADIUS server or configured through the switch CLI under a VLAN group name.

- Configure the RADIUS server to send more than one VLAN name for a user. The multiple VLAN names can be sent as part of the response to the user. The 802.1x user distribution tracks all the users in a particular VLAN and achieves load balancing by moving the authorized user to the least populated VLAN.
- Configure the RADIUS server to send a VLAN group name for a user. The VLAN group name can be sent as part of the response to the user. You can search for the selected VLAN group name among the

VLAN group names that you configured by using the switch CLI. If the VLAN group name is found, the corresponding VLANs under this VLAN group name are searched to find the least populated VLAN. Load balancing is achieved by moving the corresponding authorized user to that VLAN.



Note The RADIUS server can send the VLAN information in any combination of VLAN-IDs, VLAN names, or VLAN groups.

802.1x User Distribution Configuration Guidelines

- Confirm that at least one VLAN is mapped to the VLAN group.
- You can map more than one VLAN to a VLAN group.
- You can modify the VLAN group by adding or deleting a VLAN.
- When you clear an existing VLAN from the VLAN group name, none of the authenticated ports in the VLAN are cleared, but the mappings are removed from the existing VLAN group.
- If you clear the last VLAN from the VLAN group name, the VLAN group is cleared.
- You can clear a VLAN group even when the active VLANs are mapped to the group. When you clear a VLAN group, none of the ports or users that are in the authenticated state in any VLAN within the group are cleared, but the VLAN mappings to the VLAN group are cleared.

IEEE 802.1x Authentication with Voice VLAN Ports

A voice VLAN port is a special access port associated with two VLAN identifiers:

- VVID to carry voice traffic to and from the IP phone. The VVID is used to configure the IP phone connected to the port.
- PVID to carry the data traffic to and from the workstation connected to the switch through the IP phone. The PVID is the native VLAN of the port.

The IP phone uses the VVID for its voice traffic, regardless of the authorization state of the port. This allows the phone to work independently of IEEE 802.1x authentication.

In single-host mode, only the IP phone is allowed on the voice VLAN. In multiple-hosts mode, additional clients can send traffic on the voice VLAN after a supplicant is authenticated on the PVID. When multiple-hosts mode is enabled, the supplicant authentication affects both the PVID and the VVID.

A voice VLAN port becomes active when there is a link, and the device MAC address appears after the first CDP message from the IP phone. Cisco IP phones do not relay CDP messages from other devices. As a result, if several IP phones are connected in series, the switch recognizes only the one directly connected to it. When IEEE 802.1x authentication is enabled on a voice VLAN port, the switch drops packets from unrecognized IP phones more than one hop away.

When IEEE 802.1x authentication is enabled on a switch port, you can configure an access port VLAN that is also a voice VLAN.

When IP phones are connected to an 802.1x-enabled switch port that is in single host mode, the switch grants the phones network access without authenticating them. We recommend that you use multidomain authentication (MDA) on the port to authenticate both a data device and a voice device, such as an IP phone



Note If you enable IEEE 802.1x authentication on an access port on which a voice VLAN is configured and to which a Cisco IP Phone is connected, the Cisco IP phone loses connectivity to the switch for up to 30 seconds.

IEEE 802.1x Authentication with Port Security

In general, Cisco does not recommend enabling port security when IEEE 802.1x is enabled. Since IEEE 802.1x enforces a single MAC address per port (or per VLAN when MDA is configured for IP telephony), port security is redundant and in some cases may interfere with expected IEEE 802.1x operations.

IEEE 802.1x Authentication with Wake-on-LAN

The IEEE 802.1x authentication with wake-on-LAN (WoL) feature allows dormant PCs to be powered when the switch receives a specific Ethernet frame, known as the *magic packet*. You can use this feature in environments where administrators need to connect to systems that have been powered down.

When a host that uses WoL is attached through an IEEE 802.1x port and the host powers off, the IEEE 802.1x port becomes unauthorized. The port can only receive and send EAPOL packets, and WoL magic packets cannot reach the host. When the PC is powered off, it is not authorized, and the switch port is not opened.

When the switch uses IEEE 802.1x authentication with WoL, the switch forwards traffic to unauthorized IEEE 802.1x ports, including magic packets. While the port is unauthorized, the switch continues to block ingress traffic other than EAPOL packets. The host can receive packets but cannot send packets to other devices in the network.



Note If PortFast is not enabled on the port, the port is forced to the bidirectional state.

When you configure a port as unidirectional by using the **authentication control-direction in** interface configuration command, the port changes to the spanning-tree forwarding state. The port can send packets to the host but cannot receive packets from the host.

When you configure a port as bidirectional by using the **authentication control-direction both** interface configuration command, the port is access-controlled in both directions. The port does not receive packets from or send packets to the host.

IEEE 802.1x Authentication with MAC Authentication Bypass

You can configure the switch to authorize clients based on the client MAC address by using the MAC authentication bypass feature. For example, you can enable this feature on IEEE 802.1x ports connected to devices such as printers.

If IEEE 802.1x authentication times out while waiting for an EAPOL response from the client, the switch tries to authorize the client by using MAC authentication bypass.

When the MAC authentication bypass feature is enabled on an IEEE 802.1x port, the switch uses the MAC address as the client identity. The authentication server has a database of client MAC addresses that are allowed network access. After detecting a client on an IEEE 802.1x port, the switch waits for an Ethernet packet from the client. The switch sends the authentication server a RADIUS-access/request frame with a username and password based on the MAC address. If authorization succeeds, the switch grants the client access to the network. If authorization fails, the switch assigns the port to the guest VLAN if one is configured. This process works for most client devices; however, it does not work for clients that use an alternate MAC address format. You can configure how MAB authentication is performed for clients with MAC addresses that deviate from the standard format or where the RADIUS configuration requires the user name and password to differ.

If an EAPOL packet is detected on the interface during the lifetime of the link, the switch determines that the device connected to that interface is an 802.1x-capable supplicant and uses 802.1x authentication (not MAC authentication bypass) to authorize the interface. EAPOL history is cleared if the interface link status goes down.

If the switch already authorized a port by using MAC authentication bypass and detects an IEEE 802.1x supplicant, the switch does not unauthorize the client connected to the port. When re-authentication occurs, the switch uses the authentication or re-authentication methods configured on the port, if the previous session ended because the Termination-Action RADIUS attribute value is DEFAULT.

Clients that were authorized with MAC authentication bypass can be re-authenticated. The re-authentication process is the same as that for clients that were authenticated with IEEE 802.1x. During re-authentication, the port remains in the previously assigned VLAN. If re-authentication is successful, the switch keeps the port in the same VLAN. If re-authentication fails, the switch assigns the port to the guest VLAN, if one is configured.

If re-authentication is based on the Session-Timeout RADIUS attribute (Attribute[27]) and the Termination-Action RADIUS attribute (Attribute [29]) and if the Termination-Action RADIUS attribute (Attribute [29]) action is *Initialize* (the attribute value is *DEFAULT*), the MAC authentication bypass session ends, and connectivity is lost during re-authentication. If MAC authentication bypass is enabled and the IEEE 802.1x authentication times out, the switch uses the MAC authentication bypass feature to initiate re-authorization. For more information about these AV pairs, see RFC 3580, "IEEE 802.1X Remote Authentication Dial In User Service (RADIUS) Usage Guidelines."

MAC authentication bypass interacts with the features:

- IEEE 802.1x authentication—You can enable MAC authentication bypass only if 802.1x authentication is enabled on the port .
- Guest VLAN—If a client has an invalid MAC address identity, the switch assigns the client to a guest VLAN if one is configured.
- Restricted VLAN—This feature is not supported when the client connected to an IEEE 802.1x port is authenticated with MAC authentication bypass.
- Port security
- Voice VLAN
- Private VLAN—You can assign a client to a private VLAN.
- Network Edge Access Topology (NEAT)—MAB and NEAT are mutually exclusive. You cannot enable MAB when NEAT is enabled on an interface, and you should not enable NEAT when MAB is enabled on an interface.

Cisco IOS Release 12.2(55)SE and later supports filtering of verbose MAB system messages

Network Admission Control Layer 2 IEEE 802.1x Validation

The switch supports the Network Admission Control (NAC) Layer 2 IEEE 802.1x validation, which checks the antivirus condition or *posture* of endpoint systems or clients before granting the devices network access. With NAC Layer 2 IEEE 802.1x validation, you can do these tasks:

- Download the Session-Timeout RADIUS attribute (Attribute[27]) and the Termination-Action RADIUS attribute (Attribute[29]) from the authentication server.
- Set the number of seconds between re-authentication attempts as the value of the Session-Timeout RADIUS attribute (Attribute[27]) and get an access policy against the client from the RADIUS server.
- Set the action to be taken when the switch tries to re-authenticate the client by using the Termination-Action RADIUS attribute (Attribute[29]). If the value is the *DEFAULT* or is not set, the session ends. If the value is RADIUS-Request, the re-authentication process starts.
- Set the list of VLAN number or name or VLAN group name as the value of the Tunnel Group Private ID (Attribute[81]) and the preference for the VLAN number or name or VLAN group name as the value of the Tunnel Preference (Attribute[83]). If you do not configure the Tunnel Preference, the first Tunnel Group Private ID (Attribute[81]) attribute is picked up from the list.
- View the NAC posture token, which shows the posture of the client, by using the **show authentication** privileged EXEC command.
- Configure secondary private VLANs as guest VLANs.

Configuring NAC Layer 2 IEEE 802.1x validation is similar to configuring IEEE 802.1x port-based authentication except that you must configure a posture token on the RADIUS server.

Flexible Authentication Ordering

You can use flexible authentication ordering to configure the order of methods that a port uses to authenticate a new host. The IEEE 802.1X Flexible Authentication feature supports three authentication methods:

- dot1X—IEEE 802.1X authentication is a Layer 2 authentication method.
- mab—MAC-Authentication Bypass is a Layer 2 authentication method.
- webauth—Web authentication is a Layer 3 authentication method.

Using this feature, you can control which ports use which authentication methods, and you can control the failover sequencing of methods on those ports. For example, MAC authentication bypass and 802.1x can be the primary or secondary authentication methods, and web authentication can be the fallback method if either or both of those authentication attempts fail.

The IEEE 802.1X Flexible Authentication feature supports the following host modes:

- multi-auth—Multiauthentication allows one authentication on a voice VLAN and multiple authentications on the data VLAN.
- multi-domain—Multidomain authentication allows two authentications: one on the voice VLAN and one on the data VLAN.

Related Topics

[Configuring Flexible Authentication Ordering, on page 357](#)

Open1x Authentication

Open1x authentication allows a device access to a port before that device is authenticated. When open authentication is configured, a new host can pass traffic according to the access control list (ACL) defined on the port. After the host is authenticated, the policies configured on the RADIUS server are applied to that host.

You can configure open authentication with these scenarios:

- Single-host mode with open authentication—Only one user is allowed network access before and after authentication.
- MDA mode with open authentication—Only one user in the voice domain and one user in the data domain are allowed.
- Multiple-hosts mode with open authentication—Any host can access the network.
- Multiple-authentication mode with open authentication—Similar to MDA, except multiple hosts can be authenticated.



Note

If open authentication is configured, it takes precedence over other authentication controls. This means that if you use the **authentication open** interface configuration command, the port will grant access to the host irrespective of the **authentication port-control** interface configuration command.

Related Topics

[Configuring Open1x, on page 359](#)

Multidomain Authentication

The switch supports multidomain authentication (MDA), which allows both a data device and voice device, such as an IP phone (Cisco or non-Cisco), to authenticate on the same switch port. The port is divided into a data domain and a voice domain.



Note

For all host modes, the line protocol stays up before authorization when port-based authentication is configured.

MDA does not enforce the order of device authentication. However, for best results, we recommend that a voice device is authenticated before a data device on an MDA-enabled port.

Follow these guidelines for configuring MDA:

- You must configure a switch port for MDA.
- You must configure the voice VLAN for the IP phone when the host mode is set to multidomain.

- Voice VLAN assignment on an MDA-enabled port is supported Cisco IOS Release 12.2(40)SE and later.
- To authorize a voice device, the AAA server must be configured to send a Cisco Attribute-Value (AV) pair attribute with a value of *device-traffic-class=voice*. Without this value, the switch treats the voice device as a data device.
- The guest VLAN and restricted VLAN features only apply to the data devices on an MDA-enabled port. The switch treats a voice device that fails authorization as a data device.
- If more than one device attempts authorization on either the voice or the data domain of a port, it is error disabled.
- Until a device is authorized, the port drops its traffic. Non-Cisco IP phones or voice devices are allowed into both the data and voice VLANs. The data VLAN allows the voice device to contact a DHCP server to obtain an IP address and acquire the voice VLAN information. After the voice device starts sending on the voice VLAN, its access to the data VLAN is blocked.
- A voice device MAC address that is binding on the data VLAN is not counted towards the port security MAC address limit.
- MDA can use MAC authentication bypass as a fallback mechanism to allow the switch port to connect to devices that do not support IEEE 802.1x authentication.
- When a *data* or a *voice* device is detected on a port, its MAC address is blocked until authorization succeeds. If the authorization fails, the MAC address remains blocked for 5 minutes.
- If more than five devices are detected on the *data* VLAN or more than one voice device is detected on the *voice* VLAN while a port is unauthorized, the port is error disabled.
- When a port host mode is changed from single- or multihost to multidomain mode, an authorized data device remains authorized on the port. However, a Cisco IP phone that has been allowed on the port voice VLAN is automatically removed and must be reauthenticated on that port.
- Active fallback mechanisms such as guest VLAN and restricted VLAN remain configured after a port changes from single- or multihost mode to multidomain mode.
- Switching a port host mode from multidomain to single- or multihost mode removes all authorized devices from the port.
- If a data domain is authorized first and placed in the guest VLAN, non-IEEE 802.1x-capable voice devices need to tag their packets on the voice VLAN to trigger authentication.
- We do not recommend per-user ACLs with an MDA-enabled port. An authorized device with a per-user ACL policy might impact traffic on both the voice and data VLANs of the port. If used, only one device on the port should enforce per-user ACLs.

Limiting Login for Users

The Limiting Login feature helps Network administrators to limit the login attempt of users to a network. When a user fails to successfully login to a network within a configurable number of attempts within a configurable time limit, the user can be blocked. This feature is enabled only for local users and not for remote users. You need to configure the **aaa authentication rejected** command in global configuration mode to enable this feature.

802.1x Supplicant and Authenticator Switches with Network Edge Access Topology (NEAT)

The Network Edge Access Topology (NEAT) feature extends identity to areas outside the wiring closet (such as conference rooms). This allows any type of device to authenticate on the port.

- 802.1x switch supplicant: You can configure a switch to act as a supplicant to another switch by using the 802.1x supplicant feature. This configuration is helpful in a scenario, where, for example, a switch is outside a wiring closet and is connected to an upstream switch through a trunk port. A switch configured with the 802.1x switch supplicant feature authenticates with the upstream switch for secure connectivity. Once the supplicant switch authenticates successfully the port mode changes from access to trunk in an authenticator switch. In a supplicant switch you must manually configure trunk when enabling CISP.
- If the access VLAN is configured on the authenticator switch, it becomes the native VLAN for the trunk port after successful authentication.

In the default state, when you connect a supplicant switch to an authenticator switch that has BPDU guard enabled, the authenticator port could be error-disabled if it receives a Spanning Tree Protocol (STP) bridge protocol data unit (BPDU) packets before the supplicant switch has authenticated. Beginning with Cisco IOS Release 15.0(1)SE, you can control traffic exiting the supplicant port during the authentication period. Entering the **dot1x supplicant controlled transient** global configuration command temporarily blocks the supplicant port during authentication to ensure that the authenticator port does not shut down before authentication completes. If authentication fails, the supplicant port opens. Entering the **no dot1x supplicant controlled transient** global configuration command opens the supplicant port during the authentication period. This is the default behavior.

We strongly recommend using the **dot1x supplicant controlled transient** command on a supplicant switch when BPDU guard is enabled on the authenticator switch port with the **spanning-tree bpduguard enable** interface configuration command.



Note

If you globally enable BPDU guard on the authenticator switch by using the **spanning-tree portfast bpduguard default** global configuration command, entering the **dot1x supplicant controlled transient** command does not prevent the BPDU violation.

You can enable MDA or multiauth mode on the authenticator switch interface that connects to one more supplicant switches. Multihost mode is not supported on the authenticator switch interface.

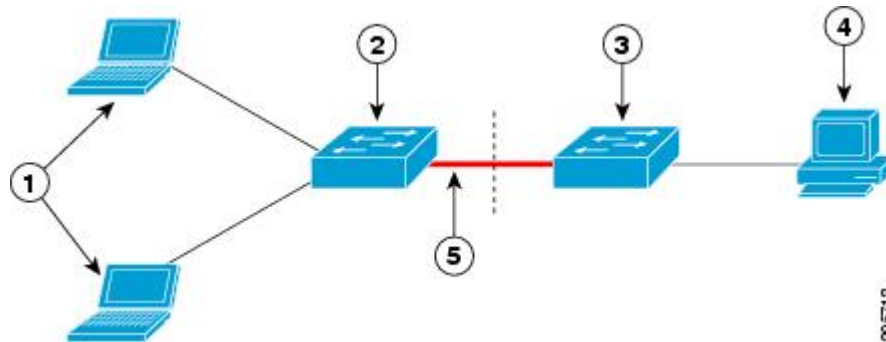
When you reboot an authenticator switch with single-host mode enabled on the interface, the interface may move to err-disabled state before authentication. To recover from err-disabled state, flap the authenticator port to activate the interface again and initiate authentication.

Use the **dot1x supplicant force-multicast** global configuration command on the supplicant switch for Network Edge Access Topology (NEAT) to work in all host modes.

- Host Authorization: Ensures that only traffic from authorized hosts (connecting to the switch with supplicant) is allowed on the network. The switches use Client Information Signalling Protocol (CISP) to send the MAC addresses connecting to the supplicant switch to the authenticator switch.

- Auto enablement: Automatically enables trunk configuration on the authenticator switch, allowing user traffic from multiple VLANs coming from supplicant switches. Configure the cisco-av-pair as *device-traffic-class=switch* at the ACS. (You can configure this under the *group* or the *user* settings.)

Figure 22: Authenticator and Supplicant Switch using CISP



1	Workstations (clients)	2	Supplicant switch (outside wiring closet)
3	Authenticator switch	4	Access control server (ACS)
5	Trunk port		



Note

The **switchport nonegotiate** command is not supported on supplicant and authenticator switches with NEAT. This command should not be configured at the supplicant side of the topology. If configured on the authenticator side, the internal macros will automatically remove this command from the port.

Voice Aware 802.1x Security



Note

To use voice aware IEEE 802.1x authentication, the switch must be running the LAN base image.

You use the voice aware 802.1x security feature to configure the switch to disable only the VLAN on which a security violation occurs, whether it is a data or voice VLAN. In previous releases, when an attempt to authenticate the data client caused a security violation, the entire port shut down, resulting in a complete loss of connectivity.

You can use this feature in IP phone deployments where a PC is connected to the IP phone. A security violation found on the data VLAN results in the shutdown of only the data VLAN. The traffic on the voice VLAN flows through the switch without interruption.

Related Topics

[Configuring Voice Aware 802.1x Security, on page 309](#)

Common Session ID

Authentication manager uses a single session ID (referred to as a common session ID) for a client no matter which authentication method is used. This ID is used for all reporting purposes, such as the show commands and MIBs. The session ID appears with all per-session syslog messages.

The session ID includes:

- The IP address of the Network Access Device (NAD)
- A monotonically increasing unique 32 bit integer
- The session start time stamp (a 32 bit integer)

This example shows how the session ID appears in the output of the show authentication command. The session ID in this example is 160000050000000B288508E5:

```
Switch# show authentication sessions
Interface  MAC Address      Method  Domain  Status      Session ID
Fa4/0/4    0000.0000.0203    mab     DATA   Authz Success 160000050000000B288508E5
```

This is an example of how the session ID appears in the syslog output. The session ID in this example is also 160000050000000B288508E5:

```
1w0d: %AUTHMGR-5-START: Starting 'mab' for client (0000.0000.0203) on Interface Fa4/0/4
AuditSessionID 160000050000000B288508E5
1w0d: %MAB-5-SUCCESS: Authentication successful for client (0000.0000.0203) on Interface
Fa4/0/4 AuditSessionID 160000050000000B288508E5
1w0d: %AUTHMGR-7-RESULT: Authentication result 'success' from 'mab' for client
(0000.0000.0203) on Interface Fa4/0/4 AuditSessionID 160000050000000B288508E5
```

The session ID is used by the NAD, the AAA server, and other report-analyzing applications to identify the client. The ID appears automatically. No configuration is required.

How to Configure 802.1x Port-Based Authentication

Default 802.1x Authentication Configuration

Table 28: Default 802.1x Authentication Configuration

Feature	Default Setting
Switch 802.1x enable state	Disabled.
Per-port 802.1x enable state	Disabled (force-authorized). The port sends and receives normal traffic without 802.1x-based authentication of the client.
AAA	Disabled.

Feature	Default Setting
RADIUS server <ul style="list-style-type: none"> • IP address • UDP authentication port • Default accounting port • Key 	<ul style="list-style-type: none"> • None specified. • 1645. • 1646. • None specified.
Host mode	Single-host mode.
Control direction	Bidirectional control.
Periodic re-authentication	Disabled.
Number of seconds between re-authentication attempts	3600 seconds.
Re-authentication number	2 times (number of times that the switch restarts the authentication process before the port changes to the unauthorized state).
Quiet period	60 seconds (number of seconds that the switch remains in the quiet state following a failed authentication exchange with the client).
Retransmission time	30 seconds (number of seconds that the switch should wait for a response to an EAP request/identity frame from the client before resending the request).
Maximum retransmission number	2 times (number of times that the switch will send an EAP-request/identity frame before restarting the authentication process).
Client timeout period	30 seconds (when relaying a request from the authentication server to the client, the amount of time the switch waits for a response before resending the request to the client.)
Authentication server timeout period	30 seconds (when relaying a response from the client to the authentication server, the amount of time the switch waits for a reply before resending the response to the server.) You can change this timeout period by using the dot1x timeout server-timeout interface configuration command.
Inactivity timeout	Disabled.
Guest VLAN	None specified.
Inaccessible authentication bypass	Disabled.

Feature	Default Setting
Restricted VLAN	None specified.
Authenticator (switch) mode	None specified.
MAC authentication bypass	Disabled.
Voice-aware security	Disabled.

802.1x Authentication Configuration Guidelines

802.1x Authentication

These are the 802.1x authentication configuration guidelines:

- When 802.1x authentication is enabled, ports are authenticated before any other Layer 2 or Layer 3 features are enabled.
- If the VLAN to which an 802.1x-enabled port is assigned changes, this change is transparent and does not affect the switch. For example, this change occurs if a port is assigned to a RADIUS server-assigned VLAN and is then assigned to a different VLAN after re-authentication.

If the VLAN to which an 802.1x port is assigned to shut down, disabled, or removed, the port becomes unauthorized. For example, the port is unauthorized after the access VLAN to which a port is assigned shuts down or is removed.

- The 802.1x protocol is supported on Layer 2 static-access ports, voice VLAN ports, and Layer 3 routed ports, but it is not supported on these port types:
 - Dynamic ports—A port in dynamic mode can negotiate with its neighbor to become a trunk port. If you try to enable 802.1x authentication on a dynamic port, an error message appears, and 802.1x authentication is not enabled. If you try to change the mode of an 802.1x-enabled port to dynamic, an error message appears, and the port mode is not changed.
 - EtherChannel port—Do not configure a port that is an active or a not-yet-active member of an EtherChannel as an 802.1x port. If you try to enable 802.1x authentication on an EtherChannel port, an error message appears, and 802.1x authentication is not enabled.
 - Switched Port Analyzer (SPAN) and Remote SPAN (RSPAN) destination ports—You can enable 802.1x authentication on a port that is a SPAN or RSPAN destination port. However, 802.1x authentication is disabled until the port is removed as a SPAN or RSPAN destination port. You can enable 802.1x authentication on a SPAN or RSPAN source port.
- Before globally enabling 802.1x authentication on a switch by entering the **dot1x system-auth-control** global configuration command, remove the EtherChannel configuration from the interfaces on which 802.1x authentication and EtherChannel are configured.
- Cisco IOS Release 12.2(55)SE and later supports filtering of system messages related to 802.1x authentication.

VLAN Assignment, Guest VLAN, Restricted VLAN, and Inaccessible Authentication Bypass

These are the configuration guidelines for VLAN assignment, guest VLAN, restricted VLAN, and inaccessible authentication bypass:

- When 802.1x authentication is enabled on a port, you cannot configure a port VLAN that is equal to a voice VLAN.
- The 802.1x authentication with VLAN assignment feature is not supported on trunk ports, dynamic ports, or with dynamic-access port assignment through a VMPS.
- You can configure any VLAN except an RSPAN VLAN or a voice VLAN as an 802.1x guest VLAN. The guest VLAN feature is not supported on internal VLANs (routed ports) or trunk ports; it is supported only on access ports.
- After you configure a guest VLAN for an 802.1x port to which a DHCP client is connected, you might need to get a host IP address from a DHCP server. You can change the settings for restarting the 802.1x authentication process on the switch before the DHCP process on the client times out and tries to get a host IP address from the DHCP server. Decrease the settings for the 802.1x authentication process (**authentication timer inactivity** and **authentication timer reauthentication** interface configuration commands). The amount to decrease the settings depends on the connected 802.1x client type.
- When configuring the inaccessible authentication bypass feature, follow these guidelines:
 - The feature is supported on 802.1x port in single-host mode and multihosts mode.
 - If the client is running Windows XP and the port to which the client is connected is in the critical-authentication state, Windows XP might report that the interface is not authenticated.
 - If the Windows XP client is configured for DHCP and has an IP address from the DHCP server, receiving an EAP-Success message on a critical port might not re-initiate the DHCP configuration process.
 - You can configure the inaccessible authentication bypass feature and the restricted VLAN on an 802.1x port. If the switch tries to re-authenticate a critical port in a restricted VLAN and all the RADIUS servers are unavailable, switch changes the port state to the critical authentication state and remains in the restricted VLAN.
 - If the CTS links are in Critical Authentication mode and the master reloads, the policy where SGT was configured on a device will not be available on the new master. This is because the internal bindings will not be synced to the standby switch in a 3750-X switch stack.
- You can configure any VLAN except an RSPAN VLAN or a voice VLAN as an 802.1x restricted VLAN. The restricted VLAN feature is not supported on internal VLANs (routed ports) or trunk ports; it is supported only on access ports.
- When wireless guest clients obtains IP from foreign client VLAN instead of anchor client VLAN, you should use the **ip dhcp required** command under the WLAN configuration to force clients to issue a new DHCP request. This prevents the clients from getting an incorrect IP at anchor.
- If the wired guest clients fail to get IP address after a Cisco WLC (foreign) reload, perform a shut/no shut on the ports used by the clients to reconnect them.

MAC Authentication Bypass

These are the MAC authentication bypass configuration guidelines:

- Unless otherwise stated, the MAC authentication bypass guidelines are the same as the 802.1x authentication guidelines.
- If you disable MAC authentication bypass from a port after the port has been authorized with its MAC address, the port state is not affected.
- If the port is in the unauthorized state and the client MAC address is not the authentication-server database, the port remains in the unauthorized state. However, if the client MAC address is added to the database, the switch can use MAC authentication bypass to re-authorize the port.
- If the port is in the authorized state, the port remains in this state until re-authorization occurs.
- You can configure a timeout period for hosts that are connected by MAC authentication bypass but are inactive. The range is 1 to 65535 seconds.

Maximum Number of Allowed Devices Per Port

This is the maximum number of devices allowed on an 802.1x-enabled port:

- In single-host mode, only one device is allowed on the access VLAN. If the port is also configured with a voice VLAN, an unlimited number of Cisco IP phones can send and receive traffic through the voice VLAN.
- In multidomain authentication (MDA) mode, one device is allowed for the access VLAN, and one IP phone is allowed for the voice VLAN.
- In multihost mode, only one 802.1x supplicant is allowed on the port, but an unlimited number of non-802.1x hosts are allowed on the access VLAN. An unlimited number of devices are allowed on the voice VLAN.

Configuring 802.1x Readiness Check

The 802.1x readiness check monitors 802.1x activity on all the switch ports and displays information about the devices connected to the ports that support 802.1x. You can use this feature to determine if the devices connected to the switch ports are 802.1x-capable.

The 802.1x readiness check is allowed on all ports that can be configured for 802.1x. The readiness check is not available on a port that is configured as **dot1x force-unauthorized**.

Follow these steps to enable the 802.1x readiness check on the switch:

Before You Begin

Follow these guidelines to enable the readiness check on the switch:

- The readiness check is typically used before 802.1x is enabled on the switch.
- If you use the **dot1x test eapol-capable** privileged EXEC command without specifying an interface, all the ports on the switch stack are tested.

- When you configure the **dot1x test eapol-capable** command on an 802.1x-enabled port, and the link comes up, the port queries the connected client about its 802.1x capability. When the client responds with a notification packet, it is 802.1x-capable. A syslog message is generated if the client responds within the timeout period. If the client does not respond to the query, the client is not 802.1x-capable. No syslog message is generated
- When you configure the **dot1x test eapol-capable** command on an 802.1x-enabled port, and the link comes up, the port queries the connected client about its 802.1x capability. When the client responds with a notification packet, it is 802.1x-capable. A syslog message is generated if the client responds within the timeout period. If the client does not respond to the query, the client is not 802.1x-capable. No syslog message is generated
- The readiness check can be sent on a port that handles multiple hosts (for example, a PC that is connected to an IP phone). A syslog message is generated for each of the clients that respond to the readiness check within the timer period.

SUMMARY STEPS

1. **enable**
2. **configure terminal**
3. **dot1x test eapol-capable** [*interface interface-id*]
4. **dot1x test timeout** *timeout*
5. **end**
6. **show running-config**
7. **copy running-config startup-config**

DETAILED STEPS

	Command or Action	Purpose
Step 1	enable Example: Switch> enable	Enables privileged EXEC mode. Enter your password if prompted.
Step 2	configure terminal Example: Switch# configure terminal	Enters the global configuration mode.
Step 3	dot1x test eapol-capable [<i>interface interface-id</i>] Example: Switch# dot1x test eapol-capable interface gigabitethernet1/0/13 DOT1X_PORT_EAPOL_CAPABLE:DOT1X: MAC 00-01-02-4b-f1-a3 on gigabitethernet1/0/13 is EAPOL capable	Enables the 802.1x readiness check on the switch. (Optional) For <i>interface-id</i> specify the port on which to check for IEEE 802.1x readiness. Note If you omit the optional interface keyword, all interfaces on the switch are tested.

	Command or Action	Purpose
Step 4	<code>dot1x test timeout <i>timeout</i></code>	(Optional) Configures the timeout used to wait for EAPOL response. The range is from 1 to 65535 seconds. The default is 10 seconds.
Step 5	<code>end</code> Example: <code>Switch(config)# end</code>	Returns to privileged EXEC mode.
Step 6	<code>show running-config</code> Example: <code>Switch# show running-config</code>	Verifies your entries.
Step 7	<code>copy running-config startup-config</code> Example: <code>Switch# copy running-config startup-config</code>	(Optional) Saves your entries in the configuration file.

Related Topics

[802.1x Readiness Check, on page 284](#)

Configuring Voice Aware 802.1x Security



Note To use voice aware IEEE 802.1x authentication, the switch must be running the LAN base image.

You use the voice aware 802.1x security feature on the switch to disable only the VLAN on which a security violation occurs, whether it is a data or voice VLAN. You can use this feature in IP phone deployments where a PC is connected to the IP phone. A security violation found on the data VLAN results in the shutdown of only the data VLAN. The traffic on the voice VLAN flows through the switch without interruption.

Follow these guidelines to configure voice aware 802.1x voice security on the switch:

- You enable voice aware 802.1x security by entering the **errdisable detect cause security-violation shutdown vlan** global configuration command. You disable voice aware 802.1x security by entering the **no** version of this command. This command applies to all 802.1x-configured ports in the switch.



Note If you do not include the **shutdown vlan** keywords, the entire port is shut down when it enters the error-disabled state.

- If you use the **errdisable recovery cause security-violation** global configuration command to configure error-disabled recovery, the port is automatically re-enabled. If error-disabled recovery is not configured for the port, you re-enable it by using the **shutdown** and **no shutdown** interface configuration commands.
- You can re-enable individual VLANs by using the **clear errdisable interface *interface-id* vlan [*vlan-list*]** privileged EXEC command. If you do not specify a range, all VLANs on the port are enabled.

Beginning in privileged EXEC mode, follow these steps to enable voice aware 802.1x security:

SUMMARY STEPS

1. **configure terminal**
2. **errdisable detect cause security-violation shutdown vlan**
3. **errdisable recovery cause security-violation**
4. **clear errdisable interface *interface-id* vlan [*vlan-list*]**
5. Enter the following:
 - **shutdown**
 - **no shutdown**
6. **end**
7. **show errdisable detect**

DETAILED STEPS

	Command or Action	Purpose
Step 1	configure terminal	Enter global configuration mode.
Step 2	errdisable detect cause security-violation shutdown vlan	Shut down any VLAN on which a security violation error occurs. Note If the shutdown vlan keywords are not included, the entire port enters the error-disabled state and shuts down.
Step 3	errdisable recovery cause security-violation	Enter global configuration mode.
Step 4	clear errdisable interface <i>interface-id</i> vlan [<i>vlan-list</i>]	(Optional) Reenable individual VLANs that have been error disabled. <ul style="list-style-type: none"> • For <i>interface-id</i> specify the port on which to reenable individual VLANs. • (Optional) For <i>vlan-list</i> specify a list of VLANs to be re-enabled. If <i>vlan-list</i> is not specified, all VLANs are re-enabled.
Step 5	Enter the following: <ul style="list-style-type: none"> • shutdown • no shutdown 	(Optional) Re-enable an error-disabled VLAN, and clear all error-disable indications.
Step 6	end	Return to privileged EXEC mode.

	Command or Action	Purpose
Step 7	show errdisable detect	Verify your entries.

This example shows how to configure the switch to shut down any VLAN on which a security violation error occurs:

```
Switch(config)# errdisable detect cause security-violation shutdown vlan
```

This example shows how to re-enable all VLANs that were error disabled on port Gigabit Ethernet 40/2.

```
Switch# clear errdisable interface gigabitethernet4/0/2  
vlan
```

You can verify your settings by entering the **show errdisable detect** privileged EXEC command.

Related Topics

[Voice Aware 802.1x Security, on page 302](#)

Configuring 802.1x Violation Modes

You can configure an 802.1x port so that it shuts down, generates a syslog error, or discards packets from a new device when:

- a device connects to an 802.1x-enabled port
- the maximum number of allowed about devices have been authenticated on the port

Beginning in privileged EXEC mode, follow these steps to configure the security violation actions on the switch:

SUMMARY STEPS

1. **configure terminal**
2. **aaa new-model**
3. **aaa authentication dot1x {default} *method1***
4. **interface *interface-id***
5. **switchport mode access**
6. **authentication violation {shutdown | restrict | protect | replace}**
7. **end**

DETAILED STEPS

	Command or Action	Purpose
Step 1	configure terminal Example: Switch# configure terminal	Enters the global configuration mode.
Step 2	aaa new-model Example: Switch(config)# aaa new-model	Enables AAA.
Step 3	aaa authentication dot1x {default} method1 Example: Switch(config)# aaa authentication dot1x default group radius	<p>Creates an 802.1x authentication method list.</p> <p>To create a default list that is used when a named list is <i>not</i> specified in the authentication command, use the default keyword followed by the method that is to be used in default situations. The default method list is automatically applied to all ports.</p> <p>For <i>method1</i>, enter the group radius keywords to use the list of all RADIUS servers for authentication.</p>
Step 4	interface interface-id Example: Switch(config)# interface gigabitethernet1/0/4	Specifies the port connected to the client that is to be enabled for IEEE 802.1x authentication, and enter interface configuration mode.
Step 5	switchport mode access Example: Switch(config-if)# switchport mode access	Sets the port to access mode.
Step 6	authentication violation {shutdown restrict protect replace} Example: Switch(config-if)# authentication violation restrict	<p>Configures the violation mode. The keywords have these meanings:</p> <ul style="list-style-type: none"> • shutdown—Error disable the port. • restrict—Generate a syslog error. • protect—Drop packets from any new device that sends traffic to the port. • replace—Removes the current session and authenticates with the new host.

	Command or Action	Purpose
Step 7	end Example: Switch(config-if) # end	Returns to privileged EXEC mode.

Configuring 802.1x Authentication

To allow per-user ACLs or VLAN assignment, you must enable AAA authorization to configure the switch for all network-related service requests.

This is the 802.1x AAA process:

Before You Begin

To configure 802.1x port-based authentication, you must enable authentication, authorization, and accounting (AAA) and specify the authentication method list. A method list describes the sequence and authentication method to be queried to authenticate a user.

SUMMARY STEPS

1. A user connects to a port on the switch.
2. Authentication is performed.
3. VLAN assignment is enabled, as appropriate, based on the RADIUS server configuration.
4. The switch sends a start message to an accounting server.
5. Re-authentication is performed, as necessary.
6. The switch sends an interim accounting update to the accounting server that is based on the result of re-authentication.
7. The user disconnects from the port.
8. The switch sends a stop message to the accounting server.

DETAILED STEPS

	Command or Action	Purpose
Step 1	A user connects to a port on the switch.	
Step 2	Authentication is performed.	
Step 3	VLAN assignment is enabled, as appropriate, based on the RADIUS server configuration.	
Step 4	The switch sends a start message to an accounting server.	
Step 5	Re-authentication is performed, as necessary.	

	Command or Action	Purpose
Step 6	The switch sends an interim accounting update to the accounting server that is based on the result of re-authentication.	
Step 7	The user disconnects from the port.	
Step 8	The switch sends a stop message to the accounting server.	

Configuring 802.1x Port-Based Authentication

Beginning in privileged EXEC mode, follow these steps to configure 802.1x port-based authentication:

SUMMARY STEPS

1. **configure terminal**
2. **aaa new-model**
3. **aaa authentication dot1x {default} *method1***
4. **dot1x system-auth-control**
5. **aaa authorization network {default} group radius**
6. **radius-server host *ip-address***
7. **radius-server key *string***
8. **interface *interface-id***
9. **switchport mode access**
10. **authentication port-control auto**
11. **dot1x pae authenticator**
12. **end**

DETAILED STEPS

	Command or Action	Purpose
Step 1	configure terminal Example: Switch# configure terminal	Enters the global configuration mode.
Step 2	aaa new-model Example: Switch(config)# aaa new-model	Enables AAA.
Step 3	aaa authentication dot1x {default} <i>method1</i>	Creates an 802.1x authentication method list.

	Command or Action	Purpose
	<p>Example:</p> <pre>Switch(config)# aaa authentication dot1x default group radius</pre>	<p>To create a default list that is used when a named list is <i>not</i> specified in the authentication command, use the default keyword followed by the method that is to be used in default situations. The default method list is automatically applied to all ports.</p> <p>For <i>method1</i>, enter the group radius keywords to use the list of all RADIUS servers for authentication.</p> <p>Note Though other keywords are visible in the command-line help string, only the group radius keywords are supported.</p>
Step 4	<p>dot1x system-auth-control</p> <p>Example:</p> <pre>Switch(config)# dot1x system-auth-control</pre>	Enables 802.1x authentication globally on the switch.
Step 5	<p>aaa authorization network {default} group radius</p> <p>Example:</p> <pre>Switch(config)# aaa authorization network default group radius</pre>	(Optional) Configures the switch to use user-RADIUS authorization for all network-related service requests, such as per-user ACLs or VLAN assignment.
Step 6	<p>radius-server host ip-address</p> <p>Example:</p> <pre>Switch(config)# radius-server host 124.2.2.12</pre>	(Optional) Specifies the IP address of the RADIUS server.
Step 7	<p>radius-server key string</p> <p>Example:</p> <pre>Switch(config)# radius-server key abc1234</pre>	(Optional) Specifies the authentication and encryption key used between the switch and the RADIUS daemon running on the RADIUS server.
Step 8	<p>interface interface-id</p> <p>Example:</p> <pre>Switch(config)# interface gigabitethernet1/0/2</pre>	Specifies the port connected to the client that is to be enabled for IEEE 802.1x authentication, and enter interface configuration mode.

	Command or Action	Purpose
Step 9	switchport mode access Example: Switch(config-if)# switchport mode access	(Optional) Sets the port to access mode only if you configured the RADIUS server in Step 6 and Step 7.
Step 10	authentication port-control auto Example: Switch(config-if)# authentication port-control auto	Enables 802.1x authentication on the port.
Step 11	dot1x pae authenticator Example: Switch(config-if)# dot1x pae authenticator	Sets the interface Port Access Entity to act only as an authenticator and ignore messages meant for a supplicant.
Step 12	end Example: Switch(config-if)# end	Returns to privileged EXEC mode.

Configuring the Switch-to-RADIUS-Server Communication

You can globally configure the timeout, retransmission, and encryption key values for all RADIUS servers by using the **radius-server host** global configuration command. If you want to configure these options on a per-server basis, use the **radius-server timeout**, the **radius-server retransmit**, and the **radius-server key** global configuration commands.

You also need to configure some settings on the RADIUS server. These settings include the IP address of the switch and the key string to be shared by both the server and the switch. For more information, see the RADIUS server documentation.

Follow these steps to configure the RADIUS server parameters on the switch. This procedure is required.

Before You Begin

You must enable authentication, authorization, and accounting (AAA) and specify the authentication method list. A method list describes the sequence and authentication method to be queried to authenticate a user.

SUMMARY STEPS

1. **enable**
2. **configure terminal**
3. **radius-server host** *{hostname | ip-address}* **auth-port** *port-number* **key** *string*
4. **end**

DETAILED STEPS

	Command or Action	Purpose
Step 1	<p>enable</p> <p>Example:</p> <pre>Switch> enable</pre>	Enables privileged EXEC mode. Enter your password if prompted.
Step 2	<p>configure terminal</p> <p>Example:</p> <pre>Switch# configure terminal</pre>	Enters the global configuration mode.
Step 3	<p>radius-server host <i>{hostname ip-address}</i> auth-port <i>port-number</i> key <i>string</i></p> <p>Example:</p> <pre>Switch(config)# radius-server host 125.5.5.43 auth-port 1645 key rad123</pre>	<p>Configures the RADIUS server parameters.</p> <p>For <i>hostname ip-address</i>, specify the server name or IP address of the remote RADIUS server.</p> <p>For auth-port <i>port-number</i>, specify the UDP destination port for authentication requests. The default is 1645. The range is 0 to 65536.</p> <p>For key <i>string</i>, specify the authentication and encryption key used between the switch and the RADIUS daemon running on the RADIUS server. The key is a text string that must match the encryption key used on the RADIUS server.</p> <p>Note Always configure the key as the last item in the radius-server host command syntax because leading spaces are ignored, but spaces within and at the end of the key are used. If you use spaces in the key, do not enclose the key in quotation marks unless the quotation marks are part of the key. This key must match the encryption used on the RADIUS daemon.</p> <p>If you want to use multiple RADIUS servers, re-enter this command.</p>
Step 4	<p>end</p> <p>Example:</p> <pre>Switch(config)# end</pre>	Returns to privileged EXEC mode.

Related Topics

[Switch-to-RADIUS-Server Communication, on page 284](#)

Configuring the Host Mode

Beginning in privileged EXEC mode, follow these steps to allow multiple hosts (clients) on an IEEE 802.1x-authorized port that has the **authentication port-control** interface configuration command set to **auto**. Use the **multi-domain** keyword to configure and enable multidomain authentication (MDA), which allows both a host and a voice device, such as an IP phone (Cisco or non-Cisco), on the same switch port. This procedure is optional.

SUMMARY STEPS

1. **configure terminal**
2. **interface** *interface-id*
3. **authentication host-mode** [**multi-auth** | **multi-domain** | **multi-host** | **single-host**]
4. **end**

DETAILED STEPS

	Command or Action	Purpose
Step 1	configure terminal Example: Switch# configure terminal	Enters the global configuration mode.
Step 2	interface <i>interface-id</i> Example: Switch(config)# interface gigabitethernet2/0/1	Specifies the port to which multiple hosts are indirectly attached, and enter interface configuration mode.
Step 3	authentication host-mode [multi-auth multi-domain multi-host single-host] Example: Switch(config-if)# authentication host-mode multi-host	<p>Allows multiple hosts (clients) on an 802.1x-authorized port.</p> <p>The keywords have these meanings:</p> <ul style="list-style-type: none"> • multi-auth—Allow one client on the voice VLAN and multiple authenticated clients on the data VLAN. <p>Note The multi-auth keyword is only available with the authentication host-mode command.</p> <ul style="list-style-type: none"> • multi-host—Allow multiple hosts on an 802.1x-authorized port after a single host has been authenticated. • multi-domain—Allow both a host and a voice device, such as an IP phone (Cisco or non-Cisco), to be authenticated on an IEEE 802.1x-authorized port.

	Command or Action	Purpose
		<p>Note You must configure the voice VLAN for the IP phone when the host mode is set to multi-domain.</p> <p>Make sure that the authentication port-control interface configuration command is set to auto for the specified interface.</p>
Step 4	<p>end</p> <p>Example:</p> <pre>Switch(config-if)# end</pre>	Returns to privileged EXEC mode.

Configuring Periodic Re-Authentication

You can enable periodic 802.1x client re-authentication and specify how often it occurs. If you do not specify a time period before enabling re-authentication, the number of seconds between attempts is 3600.

Beginning in privileged EXEC mode, follow these steps to enable periodic re-authentication of the client and to configure the number of seconds between re-authentication attempts. This procedure is optional.

SUMMARY STEPS

1. **configure terminal**
2. **interface** *interface-id*
3. **authentication periodic**
4. **authentication timer** {[inactivity | reauthenticate | restart | unauthorized]} {value}
5. **end**

DETAILED STEPS

	Command or Action	Purpose
Step 1	<p>configure terminal</p> <p>Example:</p> <pre>Switch# configure terminal</pre>	Enters the global configuration mode.
Step 2	<p>interface <i>interface-id</i></p> <p>Example:</p> <pre>Switch(config)# interface gigabitethernet2/0/1</pre>	Specifies the port to be configured, and enter interface configuration mode.

	Command or Action	Purpose
Step 3	authentication periodic Example: <pre>Switch(config-if)# authentication periodic</pre>	Enables periodic re-authentication of the client, which is disabled by default. Note The default value is 3600 seconds. To change the value of the reauthentication timer or to have the switch use a RADIUS-provided session timeout, enter the authentication timer reauthenticate command.
Step 4	authentication timer {[inactivity reauthenticate restart unauthorized]} {value} Example: <pre>Switch(config-if)# authentication timer reauthenticate 180</pre>	Sets the number of seconds between re-authentication attempts. The authentication timer keywords have these meanings: <ul style="list-style-type: none"> • inactivity—Interval in seconds after which if there is no activity from the client then it is unauthorized • reauthenticate—Time in seconds after which an automatic re-authentication attempt is initiated • restart value—Interval in seconds after which an attempt is made to authenticate an unauthorized port • unauthorized value—Interval in seconds after which an unauthorized session will get deleted This command affects the behavior of the switch only if periodic re-authentication is enabled.
Step 5	end Example: <pre>Switch(config-if)# end</pre>	Returns to privileged EXEC mode.

Changing the Quiet Period

When the switch cannot authenticate the client, the switch remains idle for a set period of time and then tries again. The **authentication timer inactivity** interface configuration command controls the idle period. A failed authentication of the client might occur because the client provided an invalid password. You can provide a faster response time to the user by entering a number smaller than the default.

Beginning in privileged EXEC mode, follow these steps to change the quiet period. This procedure is optional.

SUMMARY STEPS

1. **configure terminal**
2. **interface *interface-id***
3. **authentication timer inactivity *seconds***
4. **end**
5. **show authentication sessions interface *interface-id***
6. **copy running-config startup-config**

DETAILED STEPS

	Command or Action	Purpose
Step 1	configure terminal Example: Switch# configure terminal	Enters the global configuration mode.
Step 2	interface <i>interface-id</i> Example: Switch(config)# interface gigabitethernet2/0/1	Specifies the port to be configured, and enter interface configuration mode.
Step 3	authentication timer inactivity <i>seconds</i> Example: Switch(config-if)# authentication timer inactivity 30	Sets the number of seconds that the switch remains in the quiet state following a failed authentication exchange with the client. The range is 1 to 65535 seconds; the default is 60.
Step 4	end Example: Switch(config-if)# end	Returns to privileged EXEC mode.
Step 5	show authentication sessions interface <i>interface-id</i> Example: Switch# show authentication sessions interface gigabitethernet2/0/1	Verifies your entries.
Step 6	copy running-config startup-config Example: Switch# copy running-config startup-config	(Optional) Saves your entries in the configuration file.

Changing the Switch-to-Client Retransmission Time

The client responds to the EAP-request/identity frame from the switch with an EAP-response/identity frame. If the switch does not receive this response, it waits a set period of time (known as the retransmission time) and then resends the frame.



Note

You should change the default value of this command only to adjust for unusual circumstances such as unreliable links or specific behavioral problems with certain clients and authentication servers.

Beginning in privileged EXEC mode, follow these steps to change the amount of time that the switch waits for client notification. This procedure is optional.

SUMMARY STEPS

1. **configure terminal**
2. **interface** *interface-id*
3. **authentication timer reauthenticate** *seconds*
4. **end**
5. **show authentication sessions interface** *interface-id*
6. **copy running-config startup-config**

DETAILED STEPS

	Command or Action	Purpose
Step 1	configure terminal Example: Switch# configure terminal	Enters the global configuration mode.
Step 2	interface <i>interface-id</i> Example: Switch(config)# interface gigabitethernet2/0/1	Specifies the port to be configured, and enter interface configuration mode.
Step 3	authentication timer reauthenticate <i>seconds</i> Example: Switch(config-if)# authentication timer reauthenticate 60	Sets the number of seconds that the switch waits for a response to an EAP-request/identity frame from the client before resending the request. The range is 1 to 65535 seconds; the default is 5.

	Command or Action	Purpose
Step 4	end Example: Switch(config-if)# end	Returns to privileged EXEC mode.
Step 5	show authentication sessions interface <i>interface-id</i> Example: Switch# show authentication sessions interface gigabitethernet2/0/1	Verifies your entries.
Step 6	copy running-config startup-config Example: Switch# copy running-config startup-config	(Optional) Saves your entries in the configuration file.

Setting the Switch-to-Client Frame-Retransmission Number

In addition to changing the switch-to-client retransmission time, you can change the number of times that the switch sends an EAP-request/identity frame (assuming no response is received) to the client before restarting the authentication process.



Note

You should change the default value of this command only to adjust for unusual circumstances such as unreliable links or specific behavioral problems with certain clients and authentication servers.

Beginning in privileged EXEC mode, follow these steps to set the switch-to-client frame-retransmission number. This procedure is optional.

SUMMARY STEPS

1. **configure terminal**
2. **interface *interface-id***
3. **dot1x max-reauth-req *count***
4. **end**

DETAILED STEPS

	Command or Action	Purpose
Step 1	configure terminal Example: Switch# configure terminal	Enters the global configuration mode.
Step 2	interface interface-id Example: Switch(config)# interface gigabitethernet2/0/1	Specifies the port to be configured, and enter interface configuration mode.
Step 3	dot1x max-reauth-req count Example: Switch(config-if)# dot1x max-reauth-req 5	Sets the number of times that the switch sends an EAP-request/identity frame to the client before restarting the authentication process. The range is 1 to 10; the default is 2.
Step 4	end Example: Switch(config-if)# end	Returns to privileged EXEC mode.

Setting the Re-Authentication Number

You can also change the number of times that the switch restarts the authentication process before the port changes to the unauthorized state.

**Note**

You should change the default value of this command only to adjust for unusual circumstances such as unreliable links or specific behavioral problems with certain clients and authentication servers.

Beginning in privileged EXEC mode, follow these steps to set the re-authentication number. This procedure is optional.

SUMMARY STEPS

1. **configure terminal**
2. **interface *interface-id***
3. **switchport mode access**
4. **dot1x max-req *count***
5. **end**

DETAILED STEPS

	Command or Action	Purpose
Step 1	configure terminal Example: Switch# configure terminal	Enters the global configuration mode.
Step 2	interface <i>interface-id</i> Example: Switch# interface gigabitethernet2/0/1	Specifies the port to be configured, and enter interface configuration mode.
Step 3	switchport mode access Example: Switch(config-if)# switchport mode access	Sets the port to access mode only if you previously configured the RADIUS server.
Step 4	dot1x max-req <i>count</i> Example: Switch(config-if)# dot1x max-req 4	Sets the number of times that the switch restarts the authentication process before the port changes to the unauthorized state. The range is 0 to 10; the default is 2.
Step 5	end Example: Switch(config-if)# end	Returns to privileged EXEC mode.

Enabling MAC Move

MAC move allows an authenticated host to move from one port on the switch to another.

Beginning in privileged EXEC mode, follow these steps to globally enable MAC move on the switch. This procedure is optional.

SUMMARY STEPS

1. **configure terminal**
2. **authentication mac-move permit**
3. **end**
4. **show running-config**
5. **copy running-config startup-config**

DETAILED STEPS

	Command or Action	Purpose
Step 1	configure terminal Example: Switch# configure terminal	Enters global configuration mode.
Step 2	authentication mac-move permit Example: Switch(config)# authentication mac-move permit	Enables MAC move on the switch. Default is deny. In Session Aware Networking mode, the default CLI is access-session mac-move deny . To enable Mac Move in Session Aware Networking, use the no access-session mac-move global configuration command.
Step 3	end Example: Switch(config)# end	Returns to privileged EXEC mode.
Step 4	show running-config Example: Switch# show running-config	Verifies your entries.
Step 5	copy running-config startup-config Example: Switch# copy running-config startup-config	(Optional) Saves your entries in the configuration file.

Enabling MAC Replace

MAC replace allows a host to replace an authenticated host on a port.

Beginning in privileged EXEC mode, follow these steps to enable MAC replace on an interface. This procedure is optional.

SUMMARY STEPS

1. **configure terminal**
2. **interface** *interface-id*
3. **authentication violation** {**protect** | **replace** | **restrict** | **shutdown**}
4. **end**
5. **show running-config**
6. **copy running-config startup-config**

DETAILED STEPS

	Command or Action	Purpose
Step 1	configure terminal Example: Switch# configure terminal	Enters global configuration mode.
Step 2	interface <i>interface-id</i> Example: Switch(config)# interface gigabitethernet2/0/2	Specifies the port to be configured, and enter interface configuration mode.
Step 3	authentication violation { protect replace restrict shutdown } Example: Switch(config-if)# authentication violation replace	Use the replace keyword to enable MAC replace on the interface. The port removes the current session and initiates authentication with the new host. The other keywords have these effects: <ul style="list-style-type: none"> • protect: the port drops packets with unexpected MAC addresses without generating a system message. • restrict: violating packets are dropped by the CPU and a system message is generated. • shutdown: the port is error disabled when it receives an unexpected MAC address.

	Command or Action	Purpose
Step 4	end Example: Switch(config-if)# end	Returns to privileged EXEC mode.
Step 5	show running-config Example: Switch# show running-config	Verifies your entries.
Step 6	copy running-config startup-config Example: Switch# copy running-config startup-config	(Optional) Saves your entries in the configuration file.

Configuring 802.1x Accounting

Enabling AAA system accounting with 802.1x accounting allows system reload events to be sent to the accounting RADIUS server for logging. The server can then infer that all active 802.1x sessions are closed.

Because RADIUS uses the unreliable UDP transport protocol, accounting messages might be lost due to poor network conditions. If the switch does not receive the accounting response message from the RADIUS server after a configurable number of retransmissions of an accounting request, this system message appears:

```
Accounting message %s for session %s failed to receive Accounting Response.
```

When the stop message is not sent successfully, this message appears:

```
00:09:55: %RADIUS-4-RADIUS_DEAD: RADIUS server 172.20.246.201:1645,1646 is not responding.
```



Note

You must configure the RADIUS server to perform accounting tasks, such as logging start, stop, and interim-update messages and time stamps. To turn on these functions, enable logging of “Update/Watchdog packets from this AAA client” in your RADIUS server Network Configuration tab. Next, enable “CVS RADIUS Accounting” in your RADIUS server System Configuration tab.

Beginning in privileged EXEC mode, follow these steps to configure 802.1x accounting after AAA is enabled on your switch. This procedure is optional.

SUMMARY STEPS

1. **configure terminal**
2. **interface *interface-id***
3. **aaa accounting dot1x default start-stop group radius**
4. **aaa accounting system default start-stop group radius**
5. **end**
6. **show running-config**
7. **copy running-config startup-config**

DETAILED STEPS

	Command or Action	Purpose
Step 1	configure terminal Example: Switch# configure terminal	Enters global configuration mode.
Step 2	interface <i>interface-id</i> Example: Switch(config)# interface gigabitethernet1/0/3	Specifies the port to be configured, and enter interface configuration mode.
Step 3	aaa accounting dot1x default start-stop group radius Example: Switch(config-if)# aaa accounting dot1x default start-stop group radius	Enables 802.1x accounting using the list of all RADIUS servers.
Step 4	aaa accounting system default start-stop group radius Example: Switch(config-if)# aaa accounting system default start-stop group radius	(Optional) Enables system accounting (using the list of all RADIUS servers) and generates system accounting reload event messages when the switch reloads.
Step 5	end Example: Switch(config-if)# end	Returns to privileged EXEC mode.

	Command or Action	Purpose
Step 6	show running-config Example: Switch# show running-config	Verifies your entries.
Step 7	copy running-config startup-config Example: Switch# copy running-config startup-config	(Optional) Saves your entries in the configuration file.

Configuring a Guest VLAN

When you configure a guest VLAN, clients that are not 802.1x-capable are put into the guest VLAN when the server does not receive a response to its EAP request/identity frame. Clients that are 802.1x-capable but that fail authentication are not granted network access. The switch supports guest VLANs in single-host or multiple-hosts mode.

Beginning in privileged EXEC mode, follow these steps to configure a guest VLAN. This procedure is optional.

SUMMARY STEPS

1. **configure terminal**
2. **interface *interface-id***
3. Use one of the following:
 - **switchport mode access**
 - **switchport mode private-vlan host**
4. **authentication event no-response action authorize vlan *vlan-id***
5. **end**

DETAILED STEPS

	Command or Action	Purpose
Step 1	configure terminal Example: Switch# configure terminal	Enters the global configuration mode.

	Command or Action	Purpose
Step 2	interface <i>interface-id</i> Example: Switch(config)# interface gigabitethernet2/0/2	Specifies the port to be configured, and enter interface configuration mode.
Step 3	Use one of the following: <ul style="list-style-type: none"> • switchport mode access • switchport mode private-vlan host Example: Switch(config-if)# switchport mode private-vlan host	<ul style="list-style-type: none"> • Sets the port to access mode. • Configures the Layer 2 port as a private-VLAN host port.
Step 4	authentication event no-response action authorize vlan <i>vlan-id</i> Example: Switch(config-if)# authentication event no-response action authorize vlan 2	Specifies an active VLAN as an 802.1x guest VLAN. The range is 1 to 4094. You can configure any active VLAN except an internal VLAN (routed port), an RSPAN VLAN or a voice VLAN as an 802.1x guest VLAN.
Step 5	end Example: Switch(config-if)# end	Returns to privileged EXEC mode.

Configuring a Restricted VLAN

When you configure a restricted VLAN on a switch stack or a switch, clients that are IEEE 802.1x-compliant are moved into the restricted VLAN when the authentication server does not receive a valid username and password. The switch supports restricted VLANs only in single-host mode.

Beginning in privileged EXEC mode, follow these steps to configure a restricted VLAN. This procedure is optional.

SUMMARY STEPS

1. **configure terminal**
2. **interface** *interface-id*
3. Use one of the following:
 - **switchport mode access**
 - **switchport mode private-vlan host**
4. **authentication port-control auto**
5. **authentication event fail action authorize vlan** *vlan-id*
6. **end**

DETAILED STEPS

	Command or Action	Purpose
Step 1	configure terminal Example: Switch# configure terminal	Enters the global configuration mode.
Step 2	interface <i>interface-id</i> Example: Switch(config)# interface gigabitethernet2/0/2	Specifies the port to be configured, and enter interface configuration mode.
Step 3	Use one of the following: <ul style="list-style-type: none"> • switchport mode access • switchport mode private-vlan host Example: Switch(config-if)# switchport mode access	<ul style="list-style-type: none"> • Sets the port to access mode. • Configures the Layer 2 port as a private-VLAN host port.
Step 4	authentication port-control auto Example: Switch(config-if)# authentication port-control auto	Enables 802.1x authentication on the port.

	Command or Action	Purpose
Step 5	authentication event fail action authorize vlan <i>vlan-id</i> Example: <pre>Switch(config-if)# authentication event fail action authorize vlan 2</pre>	Specifies an active VLAN as an 802.1x restricted VLAN. The range is 1 to 4094. You can configure any active VLAN except an internal VLAN (routed port), an RSPAN VLAN or a voice VLAN as an 802.1x restricted VLAN.
Step 6	end Example: <pre>Switch(config-if)# end</pre>	Returns to privileged EXEC mode.

Configuring Number of Authentication Attempts on a Restricted VLAN

You can configure the maximum number of authentication attempts allowed before a user is assigned to the restricted VLAN by using the **authentication event retry *retry count*** interface configuration command. The range of allowable authentication attempts is 1 to 3. The default is 3 attempts.

Beginning in privileged EXEC mode, follow these steps to configure the maximum number of allowed authentication attempts. This procedure is optional.

SUMMARY STEPS

1. **configure terminal**
2. **interface *interface-id***
3. Use one of the following:
 - **switchport mode access**
 - **switchport mode private-vlan host**
4. **authentication port-control auto**
5. **authentication event fail action authorize vlan *vlan-id***
6. **authentication event retry *retry count***
7. **end**

DETAILED STEPS

	Command or Action	Purpose
Step 1	configure terminal Example: Switch# configure terminal	Enters the global configuration mode.
Step 2	interface <i>interface-id</i> Example: Switch(config)# interface gigabitethernet2/0/3	Specifies the port to be configured, and enter interface configuration mode.
Step 3	Use one of the following: <ul style="list-style-type: none"> • switchport mode access • switchport mode private-vlan host Example: OR Switch(config-if)# switchport mode access	<ul style="list-style-type: none"> • Sets the port to access mode. • Configures the Layer 2 port as a private-VLAN host port.
Step 4	authentication port-control auto Example: Switch(config-if)# authentication port-control auto	Enables 802.1x authentication on the port.
Step 5	authentication event fail action authorize vlan <i>vlan-id</i> Example: Switch(config-if)# authentication event fail action authorize vlan 8	Specifies an active VLAN as an 802.1x restricted VLAN. The range is 1 to 4094. You can configure any active VLAN except an internal VLAN (routed port), an RSPAN VLAN or a voice VLAN as an 802.1x restricted VLAN.
Step 6	authentication event retry <i>retry count</i> Example: Switch(config-if)# authentication event retry 2	Specifies a number of authentication attempts to allow before a port moves to the restricted VLAN. The range is 1 to 3, and the default is 3.

	Command or Action	Purpose
Step 7	end Example: Switch(config-if)# end	Returns to privileged EXEC mode.

Configuring 802.1x Inaccessible Authentication Bypass with Critical Voice VLAN

Beginning in privileged EXEC mode, follow these steps to configure critical voice VLAN on a port and enable the inaccessible authentication bypass feature.

SUMMARY STEPS

1. **configure terminal**
2. **aaa new-model**
3. **radius-server dead-criteria** {time *seconds* } [*tries number*]
4. **radius-server deadtime** *minutes*
5. **radius-server host ip-address** *address* [**acct-port** *udp-port*] [**auth-port** *udp-port*] [**testusername** *name*] [**idle-time** *time*] [**ignore-acct-port**] [**ignore auth-port**] [**key string**]
6. **dot1x critical** {*eapol* | **recovery delay** *milliseconds*}
7. **interface** *interface-id*
8. **authentication event server dead action** {*authorize* | **reinitialize**} **vlan** *vlan-id*
9. **switchport voice vlan** *vlan-id*
10. **authentication event server dead action authorize voice**
11. **show authentication interface** *interface-id*
12. **copy running-config startup-config**

DETAILED STEPS

	Command or Action	Purpose
Step 1	configure terminal Example: Switch# configure terminal	Enters the global configuration mode.

	Command or Action	Purpose
Step 2	aaa new-model Example: <pre>Switch(config)# aaa new-model</pre>	Enables AAA.
Step 3	radius-server dead-criteria { <i>time seconds</i> } [<i>tries number</i>] Example: <pre>Switch(config)# radius-server dead-criteria time 20 tries 10</pre>	Sets the conditions that determine when a RADIUS server is considered un-available or down (dead). <ul style="list-style-type: none"> • time— 1 to 120 seconds. The switch dynamically determines a default <i>seconds</i> value between 10 and 60. • number—1 to 100 tries. The switch dynamically determines a default <i>triesnumber</i> between 10 and 100.
Step 4	radius-server deadtime <i>minutes</i> Example: <pre>Switch(config)# radius-server deadtime 60</pre>	(Optional) Sets the number of minutes during which a RADIUS server is not sent requests. The range is from 0 to 1440 minutes (24 hours). The default is 0 minutes.
Step 5	radius-server host <i>ip-address address</i> [acct-port <i>udp-port</i>] [auth-port <i>udp-port</i>] [test username <i>name</i>] [idle-time <i>time</i>] [ignore-acct-port] [ignore auth-port] [<i>key string</i>] Example: <pre>Switch(config)# radius-server host 1.1.1.2 acct-port 1550 auth-port 1560 test username user1 idle-time 30 key abc1234</pre>	(Optional) Configure the RADIUS server parameters by using these keywords: <ul style="list-style-type: none"> • acct-port <i>udp-port</i>—Specify the UDP port for the RADIUS accounting server. The range for the UDP port number is from 0 to 65536. The default is 1646. • auth-port <i>udp-port</i>—Specify the UDP port for the RADIUS authentication server. The range for the UDP port number is from 0 to 65536. The default is 1645. <p>Note You should configure the UDP port for the RADIUS accounting server and the UDP port for the RADIUS authentication server to nondefault values.</p> <ul style="list-style-type: none"> • test username <i>name</i>—Enable automated testing of the RADIUS server status, and specify the username to be used. • idle-time <i>time</i>—Set the interval of time in minutes after which the switch sends test packets to the server. The range is from 1 to 35791 minutes. The default is 60 minutes (1 hour). • ignore-acct-port—Disable testing on the RADIUS-server accounting port. • ignore-auth-port—Disable testing on the RADIUS-server authentication port. • For key <i>string</i>, specify the authentication and encryption key used between the switch and the RADIUS daemon running on the

	Command or Action	Purpose
		<p>RADIUS server. The key is a text string that must match the encryption key used on the RADIUS server.</p> <p>Note Always configure the key as the last item in the radius-server host command syntax because leading spaces are ignored, but spaces within and at the end of the key are used. If you use spaces in the key, do not enclose the key in quotation marks unless the quotation marks are part of the key. This key must match the encryption used on the RADIUS daemon.</p> <p>You can also configure the authentication and encryption key by using theradius-server key {0string 7string string} global configuration command.</p>
Step 6	<p>dot1x critical {eapol recovery delay milliseconds}</p> <p>Example:</p> <pre>Switch(config)# dot1x critical eapol (config)# dot1x critical recovery delay 2000</pre>	<p>(Optional) Configure the parameters for inaccessible authentication bypass:</p> <ul style="list-style-type: none"> • eapol—Specify that the switch sends an EAPOL-Success message when the switch successfully authenticates the critical port. • recovery delay milliseconds—Set the recovery delay period during which the switch waits to re-initialize a critical port when a RADIUS server that was unavailable becomes available. The range is from 1 to 10000 milliseconds. The default is 1000 milliseconds (a port can be re-initialized every second).
Step 7	<p>interface interface-id</p> <p>Example:</p> <pre>Switch(config)# interface gigabitethernet 1/0/1</pre>	Specify the port to be configured, and enter interface configuration mode.
Step 8	<p>authentication event server dead action {authorize reinitialize} vlan vlan-id]</p> <p>Example:</p> <pre>Switch(config-if)# authentication event server dead action reinitialicze vlan 20</pre>	<p>Use these keywords to move hosts on the port if the RADIUS server is unreachable:</p> <ul style="list-style-type: none"> • authorize—Move any new hosts trying to authenticate to the user-specified critical VLAN. • reinitialize—Move all authorized hosts on the port to the user-specified critical VLAN.
Step 9	<p>switchport voice vlan vlan-id</p> <p>Example:</p> <pre>Switch(config-if)# switchport voice vlan</pre>	Specifies the voice VLAN for the port. The voice VLAN cannot be the same as the critical data VLAN configured in Step 6.

	Command or Action	Purpose
Step 10	authentication event server dead action authorize voice Example: <pre>Switch(config-if)# authentication event server dead action authorize voice</pre>	Configures critical voice VLAN to move data traffic on the port to the voice VLAN if the RADIUS server is unreachable.
Step 11	show authentication interface <i>interface-id</i> Example: <pre>Switch(config-if)# do show authentication interface gigabit 1/0/1</pre>	(Optional) Verify your entries.
Step 12	copy running-config startup-config Example: <pre>Switch(config-if)# do copy running-config startup-config</pre>	(Optional) Verify your entries.

To return to the RADIUS server default settings, use the **no radius-server dead-criteria**, the **no radius-server deadtime**, and the **no radius-server host** global configuration commands. To disable inaccessible authentication bypass, use the **no authentication event server dead action** interface configuration command. To disable critical voice VLAN, use the **no authentication event server dead action authorize voice** interface configuration command.

Example of Configuring Inaccessible Authentication Bypass

This example shows how to configure the inaccessible authentication bypass feature:

```
Switch(config)# radius-server dead-criteria time 30 tries 20
Switch(config)# radius-server deadtime 60
Switch(config)# radius-server host 1.1.1.2 acct-port 1550 auth-port 1560 test username user1
idle-time 30 key abc1234
Switch(config)# dot1x critical eapol
Switch(config)# dot1x critical recovery delay 2000
Switch(config)# interface gigabitethernet 1/0/1
Switch(config-if)# dot1x critical
Switch(config-if)# dot1x critical recovery action reinitialize
Switch(config-if)# dot1x critical vlan 20
Switch(config-if)# end
```


Configuring 802.1x Authentication with WoL

Beginning in privileged EXEC mode, follow these steps to enable 802.1x authentication with WoL. This procedure is optional.

SUMMARY STEPS

1. **configure terminal**
2. **interface** *interface-id*
3. **authentication control-direction** {**both** | **in**}
4. **end**
5. **show authentication sessions interface** *interface-id*
6. **copy running-config startup-config**

DETAILED STEPS

	Command or Action	Purpose
Step 1	configure terminal Example: Switch# configure terminal	Enters global configuration mode.
Step 2	interface <i>interface-id</i> Example: Switch(config)# interface gigabitethernet2/0/3	Specifies the port to be configured, and enter interface configuration mode.
Step 3	authentication control-direction { both in } Example: Switch(config-if)# authentication control-direction both	Enables 802.1x authentication with WoL on the port, and use these keywords to configure the port as bidirectional or unidirectional. <ul style="list-style-type: none"> • both—Sets the port as bidirectional. The port cannot receive packets from or send packets to the host. By default, the port is bidirectional. • in—Sets the port as unidirectional. The port can send packets to the host but cannot receive packets from the host.
Step 4	end Example: Switch(config-if)# end	Returns to privileged EXEC mode.

	Command or Action	Purpose
Step 5	show authentication sessions interface <i>interface-id</i> Example: Switch# <code>show authentication sessions interface gigabitethernet2/0/3</code>	Verifies your entries.
Step 6	copy running-config startup-config Example: Switch# <code>copy running-config startup-config</code>	(Optional) Saves your entries in the configuration file.

Configuring MAC Authentication Bypass

Beginning in privileged EXEC mode, follow these steps to enable MAC authentication bypass. This procedure is optional.

SUMMARY STEPS

1. **configure terminal**
2. **interface *interface-id***
3. **authentication port-control auto**
4. **mab [eap]**
5. **end**

DETAILED STEPS

	Command or Action	Purpose
Step 1	configure terminal Example: Switch# <code>configure terminal</code>	Enters the global configuration mode.
Step 2	interface <i>interface-id</i> Example: Switch(config)# <code>interface gigabitethernet2/0/1</code>	Specifies the port to be configured, and enter interface configuration mode.

	Command or Action	Purpose
Step 3	authentication port-control auto Example: <pre>Switch(config-if)# authentication port-control auto</pre>	Enables 802.1x authentication on the port.
Step 4	mab [eap] Example: <pre>Switch(config-if)# mab</pre>	Enables MAC authentication bypass. (Optional) Use the eap keyword to configure the switch to use EAP for authorization.
Step 5	end Example: <pre>Switch(config-if)# end</pre>	Returns to privileged EXEC mode.

Formatting a MAC Authentication Bypass Username and Password

Use the optional **mab request format** command to format the MAB username and password in a style accepted by the authentication server. The username and password are usually the MAC address of the client. Some authentication server configurations require the password to be different from the username.

Beginning in privileged EXEC mode, follow these steps to format MAC authentication bypass username and passwords.

SUMMARY STEPS

1. **configure terminal**
2. **mab request format attribute 1 groupsize {1 | 2 | 4 | 12} [separator {- | : | .} {lowercase | uppercase}]**
3. **mab request format attribute2 {0 | 7} text**
4. **end**

DETAILED STEPS

	Command or Action	Purpose
Step 1	configure terminal Example: <pre>Switch# configure terminal</pre>	Enters the global configuration mode.

	Command or Action	Purpose
Step 2	<p>mab request format attribute 1 groupsize {1 2 4 12} [separator {- : .}] {lowercase uppercase}]</p> <p>Example:</p> <pre>Switch(config)# mab request format attribute 1 groupsize 12</pre>	<p>Specifies the format of the MAC address in the User-Name attribute of MAB-generated Access-Request packets.</p> <p>1—Sets the username format of the 12 hex digits of the MAC address.</p> <p>group size—The number of hex nibbles to concatenate before insertion of a separator. A valid groupsize must be either 1, 2, 4, or 12.</p> <p>separator—The character that separates the hex nibbles according to group size. A valid separator must be either a hyphen, colon, or period. No separator is used for a group size of 12.</p> <p>{lowercase uppercase}—Specifies if nonnumeric hex nibbles should be in lowercase or uppercase.</p>
Step 3	<p>mab request format attribute 2 {0 7} <i>text</i></p> <p>Example:</p> <pre>Switch(config)# mab request format attribute 2 7 A02F44E18B12</pre>	<p>2—Specifies a custom (nondefault) value for the User-Password attribute in MAB-generated Access-Request packets.</p> <p>0—Specifies a cleartext password to follow.</p> <p>7—Specifies an encrypted password to follow.</p> <p><i>text</i>—Specifies the password to be used in the User-Password attribute.</p> <p>Note When you send configuration information in e-mail, remove type 7 password information. The show tech-support command removes this information from its output by default.</p>
Step 4	<p>end</p> <p>Example:</p> <pre>Switch(config)# end</pre>	<p>Returns to privileged EXEC mode.</p>

Configuring 802.1x User Distribution

Beginning in privileged EXEC mode, follow these steps to configure a VLAN group and to map a VLAN to it:

SUMMARY STEPS

1. **configure terminal**
2. **vlan group** *vlan-group-name* **vlan-list** *vlan-list*
3. **end**
4. **no vlan group** *vlan-group-name* **vlan-list** *vlan-list*

DETAILED STEPS

	Command or Action	Purpose
Step 1	configure terminal Example: Switch# configure terminal	Enters the global configuration mode.
Step 2	vlan group <i>vlan-group-name</i> vlan-list <i>vlan-list</i> Example: Switch(config)# vlan group eng-dept vlan-list 10	Configures a VLAN group, and maps a single VLAN or a range of VLANs to it.
Step 3	end Example: Switch(config)# end	Returns to privileged EXEC mode.
Step 4	no vlan group <i>vlan-group-name</i> vlan-list <i>vlan-list</i> Example: Switch(config)# no vlan group eng-dept vlan-list 10	Clears the VLAN group configuration or elements of the VLAN group configuration.

Example of Configuring VLAN Groups

This example shows how to configure the VLAN groups, to map the VLANs to the groups, to and verify the VLAN group configurations and mapping to the specified VLANs:

```
Switch(config)# vlan group eng-dept vlan-list 10

Switch(config)# show vlan group group-name eng-dept
Group Name          Vlans Mapped
-----
eng-dept            10

Switch(config)# show dot1x vlan-group all
Group Name          Vlans Mapped
-----
eng-dept            10
hr-dept             20
```

This example shows how to add a VLAN to an existing VLAN group and to verify that the VLAN was added:

```
Switch(config)# vlan group eng-dept vlan-list 30
Switch(config)# show vlan group eng-dept
Group Name          Vlans Mapped
-----
```

```
eng-dept                10,30
```

This example shows how to remove a VLAN from a VLAN group:

```
Switch# no vlan group eng-dept vlan-list 10
```

This example shows that when all the VLANs are cleared from a VLAN group, the VLAN group is cleared:

```
Switch(config)# no vlan group eng-dept vlan-list 30
Vlan 30 is successfully cleared from vlan group eng-dept.
```

```
Switch(config)# show vlan group group-name eng-dept
```

This example shows how to clear all the VLAN groups:

```
Switch(config)# no vlan group eng-dept vlan-list all
Switch(config)# show vlan-group all
```

For more information about these commands, see the *Cisco IOS Security Command Reference*.

Configuring NAC Layer 2 802.1x Validation

You can configure NAC Layer 2 802.1x validation, which is also referred to as 802.1x authentication with a RADIUS server.

Beginning in privileged EXEC mode, follow these steps to configure NAC Layer 2 802.1x validation. The procedure is optional.

SUMMARY STEPS

1. **configure terminal**
2. **interface *interface-id***
3. **switchport mode access**
4. **authentication event no-response action authorize vlan *vlan-id***
5. **authentication periodic**
6. **authentication timer reauthenticate**
7. **end**
8. **show authentication sessions interface *interface-id***
9. **copy running-config startup-config**

DETAILED STEPS

	Command or Action	Purpose
Step 1	configure terminal Example: Switch# configure terminal	Enters global configuration mode.

	Command or Action	Purpose
Step 2	interface <i>interface-id</i> Example: Switch(config) # interface gigabitethernet2/0/3	Specifies the port to be configured, and enter interface configuration mode.
Step 3	switchport mode access Example: Switch(config-if) # switchport mode access	Sets the port to access mode only if you configured the RADIUS server.
Step 4	authentication event no-response action authorize vlan <i>vlan-id</i> Example: Switch(config-if) # authentication event no-response action authorize vlan 8	Specifies an active VLAN as an 802.1x guest VLAN. The range is 1 to 4094. You can configure any active VLAN except an internal VLAN (routed port), an RSPAN VLAN, or a voice VLAN as an 802.1x guest VLAN.
Step 5	authentication periodic Example: Switch(config-if) # authentication periodic	Enables periodic re-authentication of the client, which is disabled by default.
Step 6	authentication timer reauthenticate Example: Switch(config-if) # authentication timer reauthenticate	Sets re-authentication attempt for the client (set to one hour). This command affects the behavior of the switch only if periodic re-authentication is enabled.
Step 7	end Example: Switch(config-if) # end	Returns to privileged EXEC mode.
Step 8	show authentication sessions interface <i>interface-id</i> Example: Switch# show authentication sessions interface gigabitethernet2/0/3	Verifies your entries.

	Command or Action	Purpose
Step 9	copy running-config startup-config Example: Switch# <code>copy running-config startup-config</code>	(Optional) Saves your entries in the configuration file.

Configuring Limiting Login for Users

SUMMARY STEPS

1. `enable`
2. `configure terminal`
3. `aaa new-model`
4. `aaa authentication login default local`
5. `aaa authentication rejected n in m ban x`
6. `end`
7. `show aaa local user blocked`
8. `clear aaa local user blocked username username`

DETAILED STEPS

	Command or Action	Purpose
Step 1	enable Example: Device> <code>enable</code>	Enables privileged EXEC mode. <ul style="list-style-type: none"> • Enter your password if prompted.
Step 2	configure terminal Example: Device# <code>configure terminal</code>	Enters global configuration mode.
Step 3	aaa new-model Example: Device(config)# <code>aaa new-model</code>	Enables the authentication, authorization, and accounting (AAA) access control model.
Step 4	aaa authentication login default local Example: Device(config)# <code>aaa authentication login default local</code>	Sets the authentication, authorization, and accounting (AAA) authentication by using the default authentication methods.

	Command or Action	Purpose
Step 5	aaa authentication rejected <i>n</i> in <i>m</i> ban <i>x</i> Example: <pre>Device(config)# aaa authentication rejected 3 in 20 ban 300</pre>	Configures the time period for which an user is blocked, if the user fails to successfully login within the specified time and login attempts. <ul style="list-style-type: none"> • <i>n</i>—Specifies the number of times a user can try to login. • <i>m</i>—Specifies the number of seconds within which an user can try to login. • <i>x</i>—Specifies the time period an user is banned if the user fails to successfully login.
Step 6	end Example: <pre>Device(config)# end</pre>	Exits global configuration mode and returns to privileged EXEC mode.
Step 7	show aaa local user blocked Example: <pre>Device# show aaa local user blocked</pre>	Displays the list of local users who were blocked.
Step 8	clear aaa local user blocked username <i>username</i> Example: <pre>Device# clear aaa local user blocked username user1</pre>	Clears the information about the blocked local user.

The following is sample output from the **show aaa local user blocked** command:

```
Device# show aaa local user blocked

Local-user          State
-----
user1                Watched (till 11:34:42 IST Feb 5 2015)
```

Configuring an Authenticator Switch with NEAT

Configuring this feature requires that one switch outside a wiring closet is configured as a supplicant and is connected to an authenticator switch.



Note

The *cisco-av-pairs* must be configured as *device-traffic-class=switch* on the ACS, which sets the interface as a trunk after the supplicant is successfully authenticated.

Beginning in privileged EXEC mode, follow these steps to configure a switch as an authenticator:

SUMMARY STEPS

1. **configure terminal**
2. **cisp enable**
3. **interface *interface-id***
4. **switchport mode access**
5. **authentication port-control auto**
6. **dot1x pae authenticator**
7. **spanning-tree portfast**
8. **end**
9. **show running-config interface *interface-id***
10. **copy running-config startup-config**

DETAILED STEPS

	Command or Action	Purpose
Step 1	configure terminal Example: Switch# configure terminal	Enters global configuration mode.
Step 2	cisp enable Example: Switch(config)# cisp enable	Enables CISP.
Step 3	interface <i>interface-id</i> Example: Switch(config)# interface gigabitethernet2/0/1	Specifies the port to be configured, and enter interface configuration mode.
Step 4	switchport mode access Example: Switch(config-if)# switchport mode access	Sets the port mode to access .
Step 5	authentication port-control auto Example: Switch(config-if)# authentication port-control auto	Sets the port-authentication mode to auto .

	Command or Action	Purpose
Step 6	dot1x pae authenticator Example: Switch(config-if)# dot1x pae authenticator	Configures the interface as a port access entity (PAE) authenticator.
Step 7	spanning-tree portfast Example: Switch(config-if)# spanning-tree portfast trunk	Enables Port Fast on an access port connected to a single workstation or server..
Step 8	end Example: Switch(config-if)# end	Returns to privileged EXEC mode.
Step 9	show running-config interface <i>interface-id</i> Example: Switch# show running-config interface gigabitethernet2/0/1	Verifies your configuration.
Step 10	copy running-config startup-config Example: Switch# copy running-config startup-config	(Optional) Saves your entries in the configuration file.

Configuring a Supplicant Switch with NEAT

Beginning in privileged EXEC mode, follow these steps to configure a switch as a supplicant:

SUMMARY STEPS

1. **configure terminal**
2. **cisp enable**
3. **dot1x credentials *profile***
4. **username *suppswitch***
5. **password *password***
6. **dot1x supplicant force-multicast**
7. **interface *interface-id***
8. **switchport trunk encapsulation dot1q**
9. **switchport mode trunk**
10. **dot1x pae supplicant**
11. **dot1x credentials *profile-name***
12. **end**
13. **show running-config interface *interface-id***
14. **copy running-config startup-config**
15. Configuring NEAT with Auto Smartports Macros

DETAILED STEPS

	Command or Action	Purpose
Step 1	configure terminal Example: Switch# configure terminal	Enters global configuration mode.
Step 2	cisp enable Example: Switch(config)# cisp enable	Enables CISP.
Step 3	dot1x credentials <i>profile</i> Example: Switch(config)# dot1x credentials test	Creates 802.1x credentials profile. This must be attached to the port that is configured as supplicant.
Step 4	username <i>suppswitch</i> Example: Switch(config)# username suppswitch	Creates a username.

	Command or Action	Purpose
Step 5	<p>password <i>password</i></p> <p>Example:</p> <pre>Switch(config)# password myswitch</pre>	Creates a password for the new username.
Step 6	<p>dot1x supplicant force-multicast</p> <p>Example:</p> <pre>Switch(config)# dot1x supplicant force-multicast</pre>	<p>Forces the switch to send only multicast EAPOL packets when it receives either unicast or multicast packets.</p> <p>This also allows NEAT to work on the supplicant switch in all host modes.</p>
Step 7	<p>interface <i>interface-id</i></p> <p>Example:</p> <pre>Switch(config)# interface gigabitethernet1/0/1</pre>	Specifies the port to be configured, and enter interface configuration mode.
Step 8	<p>switchport trunk encapsulation dot1q</p> <p>Example:</p> <pre>Switch(config-if)# switchport trunk encapsulation dot1q</pre>	Sets the port to trunk mode.
Step 9	<p>switchport mode trunk</p> <p>Example:</p> <pre>Switch(config-if)# switchport mode trunk</pre>	Configures the interface as a VLAN trunk port.
Step 10	<p>dot1x pae supplicant</p> <p>Example:</p> <pre>Switch(config-if)# dot1x pae supplicant</pre>	Configures the interface as a port access entity (PAE) supplicant.
Step 11	<p>dot1x credentials <i>profile-name</i></p> <p>Example:</p> <pre>Switch(config-if)# dot1x credentials test</pre>	Attaches the 802.1x credentials profile to the interface.
Step 12	<p>end</p> <p>Example:</p> <pre>Switch(config-if)# end</pre>	Returns to privileged EXEC mode.

	Command or Action	Purpose
Step 13	<p><code>show running-config interface <i>interface-id</i></code></p> <p>Example:</p> <pre>Switch# show running-config interface gigabitethernet1/0/1</pre>	Verifies your configuration.
Step 14	<p><code>copy running-config startup-config</code></p> <p>Example:</p> <pre>Switch# copy running-config startup-config</pre>	(Optional) Saves your entries in the configuration file.
Step 15	Configuring NEAT with Auto Smartports Macros	You can also use an Auto Smartports user-defined macro instead of the switch VSA to configure the authenticator switch. For more information, see the <i>Auto Smartports Configuration Guide</i> for this release.

Configuring 802.1x Authentication with Downloadable ACLs and Redirect URLs

In addition to configuring 802.1x authentication on the switch, you need to configure the ACS. For more information, see the *Configuration Guide for Cisco Secure ACS 4.2*:
http://www.cisco.com/en/US/docs/net_mgmt/cisco_secure_access_control_server_for_windows/4.2/configuration/guide/acs_config.pdf



Note You must configure a downloadable ACL on the ACS before downloading it to the switch.

After authentication on the port, you can use the **show ip access-list** privileged EXEC command to display the downloaded ACLs on the port.

Configuring Downloadable ACLs

The policies take effect after client authentication and the client IP address addition to the IP device tracking table. The switch then applies the downloadable ACL to the port.

Beginning in privileged EXEC mode:

SUMMARY STEPS

1. **configure terminal**
2. **ip device tracking**
3. **aaa new-model**
4. **aaa authorization network default local group radius**
5. **radius-server vsa send authentication**
6. **interface *interface-id***
7. **ip access-group *acl-id* in**
8. **show running-config interface *interface-id***
9. **copy running-config startup-config**

DETAILED STEPS

	Command or Action	Purpose
Step 1	configure terminal Example: Switch# <code>configure terminal</code>	Enters global configuration mode.
Step 2	ip device tracking Example: Switch(config)# <code>ip device tracking</code>	Sets the ip device tracking table.
Step 3	aaa new-model Example: Switch(config)# <code>aaa new-model</code>	Enables AAA.
Step 4	aaa authorization network default local group radius Example: Switch(config)# <code>aaa authorization network default local group radius</code>	Sets the authorization method to local. To remove the authorization method, use the no aaa authorization network default local group radius command.
Step 5	radius-server vsa send authentication Example: Switch(config)# <code>radius-server vsa send authentication</code>	Configures the radius vsa send authentication.

	Command or Action	Purpose
Step 6	interface <i>interface-id</i> Example: Switch(config)# interface gigabitethernet2/0/4	Specifies the port to be configured, and enter interface configuration mode.
Step 7	ip access-group <i>acl-id</i> in Example: Switch(config-if)# ip access-group default_acl in	Configures the default ACL on the port in the input direction. Note The <i>acl-id</i> is an access list name or number.
Step 8	show running-config interface <i>interface-id</i> Example: Switch(config-if)# show running-config interface gigabitethernet2/0/4	Verifies your configuration.
Step 9	copy running-config startup-config Example: Switch# copy running-config startup-config	(Optional) Saves your entries in the configuration file.

Configuring a Downloadable Policy

Beginning in privileged EXEC mode:

SUMMARY STEPS

1. **configure terminal**
2. **access-list** *access-list-number* { deny | permit } { hostname | any | host } log
3. **interface** *interface-id*
4. **ip access-group** *acl-id* **in**
5. **exit**
6. **aaa new-model**
7. **aaa authorization network default group radius**
8. **ip device tracking**
9. **ip device tracking probe** [count | interval | use-svi]
10. **radius-server vsa send authentication**
11. **end**

DETAILED STEPS

	Command or Action	Purpose
Step 1	<p>configure terminal</p> <p>Example:</p> <pre>Switch# configure terminal</pre>	Enters the global configuration mode.
Step 2	<p>access-list <i>access-list-number</i> { deny permit } { hostname any host } log</p> <p>Example:</p> <pre>Switch(config)# access-list 1 deny any log</pre>	<p>Defines the default port ACL.</p> <p>The access-list-number is a decimal number from 1 to 99 or 1300 to 1999.</p> <p>Enter deny or permit to specify whether to deny or permit access if conditions are matched.</p> <p>The source is the source address of the network or host that sends a packet, such as this:</p> <ul style="list-style-type: none"> • hostname: The 32-bit quantity in dotted-decimal format. • any: The keyword any as an abbreviation for source and source-wildcard value of 0.0.0.0 255.255.255.255. You do not need to enter a source-wildcard value. • host: The keyword host as an abbreviation for source and source-wildcard of source 0.0.0.0. <p>(Optional) Applies the source-wildcard wildcard bits to the source.</p> <p>(Optional) Enters log to cause an informational logging message about the packet that matches the entry to be sent to the console.</p>
Step 3	<p>interface <i>interface-id</i></p> <p>Example:</p> <pre>Switch(config)# interface gigabitethernet2/0/2</pre>	Enters interface configuration mode.
Step 4	<p>ip access-group <i>acl-id</i> in</p> <p>Example:</p> <pre>Switch(config-if)# ip access-group default_acl in</pre>	<p>Configures the default ACL on the port in the input direction.</p> <p>Note The acl-id is an access list name or number.</p>
Step 5	<p>exit</p> <p>Example:</p> <pre>Switch(config-if)# exit</pre>	Returns to global configuration mode.

	Command or Action	Purpose
Step 6	aaa new-model Example: Switch(config) # aaa new-model	Enables AAA.
Step 7	aaa authorization network default group radius Example: Switch(config) # aaa authorization network default group radius	Sets the authorization method to local. To remove the authorization method, use the no aaa authorization network default group radius command.
Step 8	ip device tracking Example: Switch(config) # ip device tracking	Enables the IP device tracking table. To disable the IP device tracking table, use the no ip device tracking global configuration commands.
Step 9	ip device tracking probe [count interval use-svi] Example: Switch(config) # ip device tracking probe count	(Optional) Configures the IP device tracking table: <ul style="list-style-type: none"> • count <i>count</i>—Sets the number of times that the switch sends the ARP probe. The range is from 1 to 5. The default is 3. • interval <i>interval</i>—Sets the number of seconds that the switch waits for a response before resending the ARP probe. The range is from 30 to 300 seconds. The default is 30 seconds. • use-svi—Uses the switch virtual interface (SVI) IP address as source of ARP probes.
Step 10	radius-server vsa send authentication Example: Switch(config) # radius-server vsa send authentication	Configures the network access server to recognize and use vendor-specific attributes. Note The downloadable ACL must be operational.
Step 11	end Example: Switch(config) # end	Returns to privileged EXEC mode.

Configuring VLAN ID-based MAC Authentication

Beginning in privileged EXEC mode, follow these steps:

SUMMARY STEPS

1. **configure terminal**
2. **mab request format attribute 32 vlan access-vlan**
3. **copy running-config startup-config**

DETAILED STEPS

	Command or Action	Purpose
Step 1	configure terminal Example: Switch# configure terminal	Enters global configuration mode.
Step 2	mab request format attribute 32 vlan access-vlan Example: Switch(config)# mab request format attribute 32 vlan access-vlan	Enables VLAN ID-based MAC authentication.
Step 3	copy running-config startup-config Example: Switch# copy running-config startup-config	(Optional) Saves your entries in the configuration file.

Configuring Flexible Authentication Ordering

The examples used in the instructions below changes the order of Flexible Authentication Ordering so that MAB is attempted before IEEE 802.1X authentication (dot1x). MAB is configured as the first authentication method, so MAB will have priority over all other authentication methods.



Note

Before changing the default order and priority of these authentication methods, however, you should understand the potential consequences of those changes. See http://www.cisco.com/en/US/prod/collateral/iosswrel/ps6537/ps6586/ps6638/application_note_c27-573287_ps6638_Products_White_Paper.html for details.

Beginning in privileged EXEC mode, follow these steps:

SUMMARY STEPS

1. **configure terminal**
2. **interface *interface-id***
3. **switchport mode access**
4. **authentication order [dot1x | mab] | {webauth}**
5. **authentication priority [dot1x | mab] | {webauth}**
6. **end**

DETAILED STEPS

	Command or Action	Purpose
Step 1	configure terminal Example: Switch# configure terminal	Enters the global configuration mode.
Step 2	interface <i>interface-id</i> Example: Switch(config)# interface gigabitethernet 1/0/1	Specifies the port to be configured, and enter interface configuration mode.
Step 3	switchport mode access Example: Switch(config-if)# switchport mode access	Sets the port to access mode only if you previously configured the RADIUS server.
Step 4	authentication order [dot1x mab] {webauth} Example: Switch(config-if)# authentication order mab dot1x	(Optional) Sets the order of authentication methods used on a port.
Step 5	authentication priority [dot1x mab] {webauth} Example: Switch(config-if)# authentication priority mab dot1x	(Optional) Adds an authentication method to the port-priority list.
Step 6	end Example: Switch(config-if)# end	Returns to privileged EXEC mode.

Related Topics

[Flexible Authentication Ordering](#), on page 298

Configuring Open1x

Beginning in privileged EXEC mode, follow these steps to enable manual control of the port authorization state:

SUMMARY STEPS

1. **configure terminal**
2. **interface** *interface-id*
3. **switchport mode access**
4. **authentication control-direction** {both | in}
5. **authentication fallback** *name*
6. **authentication host-mode** [multi-auth | multi-domain | multi-host | single-host]
7. **authentication open**
8. **authentication order** [dot1x | mab] | {webauth}
9. **authentication periodic**
10. **authentication port-control** {auto | force-authorized | force-un authorized}
11. **end**

DETAILED STEPS

	Command or Action	Purpose
Step 1	configure terminal Example: Switch# configure terminal	Enters the global configuration mode.
Step 2	interface <i>interface-id</i> Example: Switch(config)# interface gigabitethernet 1/0/1	Specifies the port to be configured, and enter interface configuration mode.
Step 3	switchport mode access Example: Switch(config-if)# switchport mode access	Sets the port to access mode only if you configured the RADIUS server.

	Command or Action	Purpose
Step 4	authentication control-direction {both in} Example: Switch(config-if) # authentication control-direction both	(Optional) Configures the port control as unidirectional or bidirectional.
Step 5	authentication fallback <i>name</i> Example: Switch(config-if) # authentication fallback profile1	(Optional) Configures a port to use web authentication as a fallback method for clients that do not support 802.1x authentication.
Step 6	authentication host-mode [multi-auth multi-domain multi-host single-host] Example: Switch(config-if) # authentication host-mode multi-auth	(Optional) Sets the authorization manager mode on a port.
Step 7	authentication open Example: Switch(config-if) # authentication open	(Optional) Enables or disable open access on a port.
Step 8	authentication order [dot1x mab] {webauth} Example: Switch(config-if) # authentication order dot1x webauth	(Optional) Sets the order of authentication methods used on a port.
Step 9	authentication periodic Example: Switch(config-if) # authentication periodic	(Optional) Enables or disable reauthentication on a port.
Step 10	authentication port-control {auto force-authorized force-un authorized} Example: Switch(config-if) # authentication port-control auto	(Optional) Enables manual control of the port authorization state.

	Command or Action	Purpose
Step 11	end Example: Switch(config-if) # end	Returns to privileged EXEC mode.

Related Topics

[Open1x Authentication, on page 299](#)

Disabling 802.1x Authentication on the Port

You can disable 802.1x authentication on the port by using the **no dot1x pae** interface configuration command. Beginning in privileged EXEC mode, follow these steps to disable 802.1x authentication on the port. This procedure is optional.

SUMMARY STEPS

1. **configure terminal**
2. **interface *interface-id***
3. **switchport mode access**
4. **no dot1x pae authenticator**
5. **end**

DETAILED STEPS

	Command or Action	Purpose
Step 1	configure terminal Example: Switch# configure terminal	Enters the global configuration mode.
Step 2	interface <i>interface-id</i> Example: Switch(config) # interface gigabitethernet2/0/1	Specifies the port to be configured, and enter interface configuration mode.

	Command or Action	Purpose
Step 3	switchport mode access Example: Switch(config-if) # switchport mode access	(Optional) Sets the port to access mode only if you configured the RADIUS server.
Step 4	no dot1x pae authenticator Example: Switch(config-if) # no dot1x pae authenticator	Disables 802.1x authentication on the port.
Step 5	end Example: Switch(config-if) # end	Returns to privileged EXEC mode.

Resetting the 802.1x Authentication Configuration to the Default Values

Beginning in privileged EXEC mode, follow these steps to reset the 802.1x authentication configuration to the default values. This procedure is optional.

SUMMARY STEPS

1. **configure terminal**
2. **interface *interface-id***
3. **dot1x default**
4. **end**

DETAILED STEPS

	Command or Action	Purpose
Step 1	configure terminal Example: Switch# configure terminal	Enters the global configuration mode.

	Command or Action	Purpose
Step 2	interface <i>interface-id</i> Example: Switch(config)# interface gigabitethernet1/0/2	Enters interface configuration mode, and specify the port to be configured.
Step 3	dot1x default Example: Switch(config-if)# dot1x default	Resets the 802.1x parameters to the default values.
Step 4	end Example: Switch(config-if)# end	Returns to privileged EXEC mode.

Monitoring 802.1x Statistics and Status

Table 29: Privileged EXEC show Commands

Command	Purpose
show dot1x all statistics	Displays 802.1x statistics for all ports
show dot1x interface <i>interface-id</i> statistics	Displays 802.1x statistics for a specific port
show dot1x all [count details statistics summary]	Displays the 802.1x administrative and operational status for a switch
show dot1x interface <i>interface-id</i>	Displays the 802.1x administrative and operational status for a specific port

Table 30: Global Configuration Commands

Command	Purpose
no dot1x logging verbose	Filters verbose 802.1x authentication messages (beginning with Cisco IOS Release 12.2(55)SE)

For detailed information about the fields in these displays, see the command reference for this release.

Additional References for IEEE 802.1x Port-Based Authentication

Related Documents

Related Topic	Document Title
Configuring Identity Control policies and Identity Service templates for Session Aware networking.	Session Aware Networking Configuration Guide, Cisco IOS XE Release 3SE (Catalyst 3850 Switches) http://www.cisco.com/en/US/docs/ios-xml/ios/san/configuration/xe-3se/3850/san-xe-3se-3850-book.html
Configuring RADIUS, TACACS+, Secure Shell, 802.1X and AAA.	Securing User Services Configuration Guide Library, Cisco IOS XE Release 3SE (Catalyst 3850 Switches) http://www.cisco.com/en/US/docs/ios-xml/ios/security/config_library/xe-3se/3850/secuser-xe-3se-3850-library.html

Error Message Decoder

Description	Link
To help you research and resolve system error messages in this release, use the Error Message Decoder tool.	https://www.cisco.com/cgi-bin/Support/Errordecoder/index.cgi

MIBs

MIB	MIBs Link
All supported MIBs for this release.	To locate and download MIBs for selected platforms, Cisco IOS releases, and feature sets, use Cisco MIB Locator found at the following URL: http://www.cisco.com/go/mibs

Technical Assistance

Description	Link
<p>The Cisco Support website provides extensive online resources, including documentation and tools for troubleshooting and resolving technical issues with Cisco products and technologies.</p> <p>To receive security and technical information about your products, you can subscribe to various services, such as the Product Alert Tool (accessed from Field Notices), the Cisco Technical Services Newsletter, and Really Simple Syndication (RSS) Feeds.</p> <p>Access to most tools on the Cisco Support website requires a Cisco.com user ID and password.</p>	<p>http://www.cisco.com/support</p>



CHAPTER 17

Configuring Web-Based Authentication

This chapter describes how to configure web-based authentication on the switch. It contains these sections:

- [Finding Feature Information, page 367](#)
- [Web-Based Authentication Overview, page 367](#)
- [How to Configure Web-Based Authentication, page 377](#)
- [Monitoring Web-Based Authentication Status, page 395](#)

Finding Feature Information

Your software release may not support all the features documented in this module. For the latest caveats and feature information, see Bug Search Tool and the release notes for your platform and software release. To find information about the features documented in this module, and to see a list of the releases in which each feature is supported, see the feature information table at the end of this module.

Use Cisco Feature Navigator to find information about platform support and Cisco software image support. To access Cisco Feature Navigator, go to <http://www.cisco.com/go/cfn>. An account on Cisco.com is not required.

Web-Based Authentication Overview

Use the web-based authentication feature, known as web authentication proxy, to authenticate end users on host systems that do not run the IEEE 802.1x supplicant.



Note

You can configure web-based authentication on Layer 2 and Layer 3 interfaces.

When you initiate an HTTP session, web-based authentication intercepts ingress HTTP packets from the host and sends an HTML login page to the users. The users enter their credentials, which the web-based authentication feature sends to the authentication, authorization, and accounting (AAA) server for authentication.

If authentication succeeds, web-based authentication sends a Login-Successful HTML page to the host and applies the access policies returned by the AAA server.

If authentication fails, web-based authentication forwards a Login-Fail HTML page to the user, prompting the user to retry the login. If the user exceeds the maximum number of attempts, web-based authentication forwards a Login-Expired HTML page to the host, and the user is placed on a watch list for a waiting period.



Note HTTPS traffic interception for central web authentication redirect is not supported.



Note You should use global parameter-map (for method-type, custom, and redirect) only for using the same web authentication methods like consent, web consent, and webauth, for all the clients and SSIDs. This ensures that all the clients have the same web-authentication method.

If the requirement is to use Consent for one SSID and Web-authentication for another SSID, then you should use two named parameter-maps. You should configure Consent in first parameter-map and configure webauth in second parameter-map.



Note The traceback that you receive when webauth client tries to do authentication does not have any performance or behavioral impact. It happens rarely when the context for which FFM replied back to EPM for ACL application is already dequeued (possibly due to timer expiry) and the session becomes 'unauthorized'.

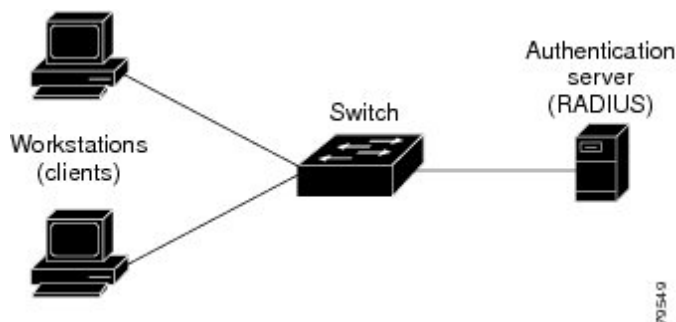
Device Roles

With web-based authentication, the devices in the network have these specific roles:

- *Client*—The device (workstation) that requests access to the LAN and the services and responds to requests from the switch. The workstation must be running an HTML browser with Java Script enabled.
- *Authentication server*—Authenticates the client. The authentication server validates the identity of the client and notifies the switch that the client is authorized to access the LAN and the switch services or that the client is denied.
- *Switch*—Controls the physical access to the network based on the authentication status of the client. The switch acts as an intermediary (proxy) between the client and the authentication server, requesting identity information from the client, verifying that information with the authentication server, and relaying a response to the client.

This figure shows the roles of these devices in a network.

Figure 23: Web-Based Authentication Device Roles



Host Detection

The switch maintains an IP device tracking table to store information about detected hosts.



Note

By default, the IP device tracking feature is disabled on a switch. You must enable the IP device tracking feature to use web-based authentication.

For Layer 2 interfaces, web-based authentication detects IP hosts by using these mechanisms:

- ARP based trigger—ARP redirect ACL allows web-based authentication to detect hosts with a static IP address or a dynamic IP address.
- Dynamic ARP inspection
- DHCP snooping—Web-based authentication is notified when the switch creates a DHCP-binding entry for the host.

Session Creation

When web-based authentication detects a new host, it creates a session as follows:

- Reviews the exception list.
If the host IP is included in the exception list, the policy from the exception list entry is applied, and the session is established.
- Reviews for authorization bypass
If the host IP is not on the exception list, web-based authentication sends a nonresponsive-host (NRH) request to the server.
If the server response is access accepted, authorization is bypassed for this host. The session is established.
- Sets up the HTTP intercept ACL
If the server response to the NRH request is access rejected, the HTTP intercept ACL is activated, and the session waits for HTTP traffic from the host.

Authentication Process

When you enable web-based authentication, these events occur:

- The user initiates an HTTP session.
- The HTTP traffic is intercepted, and authorization is initiated. The switch sends the login page to the user. The user enters a username and password, and the switch sends the entries to the authentication server.
- If the authentication succeeds, the switch downloads and activates the user's access policy from the authentication server. The login success page is sent to the user.
- If the authentication fails, the switch sends the login fail page. The user retries the login. If the maximum number of attempts fails, the switch sends the login expired page, and the host is placed in a watch list. After the watch list times out, the user can retry the authentication process.
- If the authentication server does not respond to the switch, and if an AAA fail policy is configured, the switch applies the failure access policy to the host. The login success page is sent to the user.
- The switch reauthenticates a client when the host does not respond to an ARP probe on a Layer 2 interface, or when the host does not send any traffic within the idle timeout on a Layer 3 interface.
- The feature applies the downloaded timeout or the locally configured session timeout.



Note

Beginning with Cisco IOS XE Denali 16.1.1 and later, the default session timeout value for web-based authentication on WLC is 1800 seconds. The default session timeout value was infinite seconds, prior to Cisco IOS XE Denali 16.1.1.

- If the terminate action is RADIUS, the feature sends a nonresponsive host (NRH) request to the server. The terminate action is included in the response from the server.
- If the terminate action is default, the session is dismantled, and the applied policy is removed.

Local Web Authentication Banner

With Web Authentication, you can create a default and customized web-browser banners that appears when you log in to a switch.

The banner appears on both the login page and the authentication-result pop-up pages. The default banner messages are as follows:

- *Authentication Successful*
- *Authentication Failed*
- *Authentication Expired*

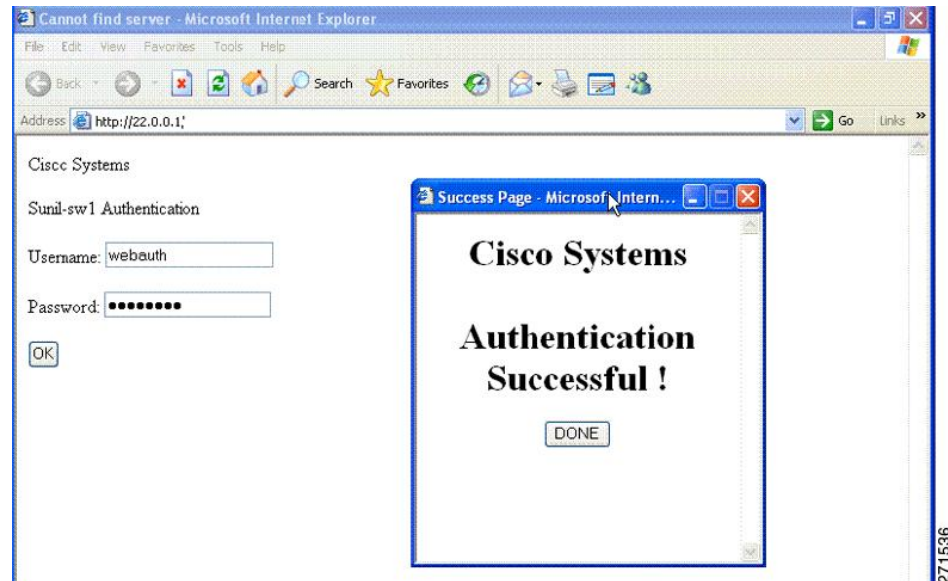
The Local Web Authentication Banner can be configured in legacy and new-style (Session-aware) CLIs as follows:

- Legacy mode—Use the **ip admission auth-proxy-banner http** global configuration command.

- New-style mode—Use the **parameter-map type webauth global banner** global configuration command.

The default banner *Cisco Systems* and *Switch host-name Authentication* appear on the Login Page. *Cisco Systems* appears on the authentication result pop-up page.

Figure 24: Authentication Successful Banner

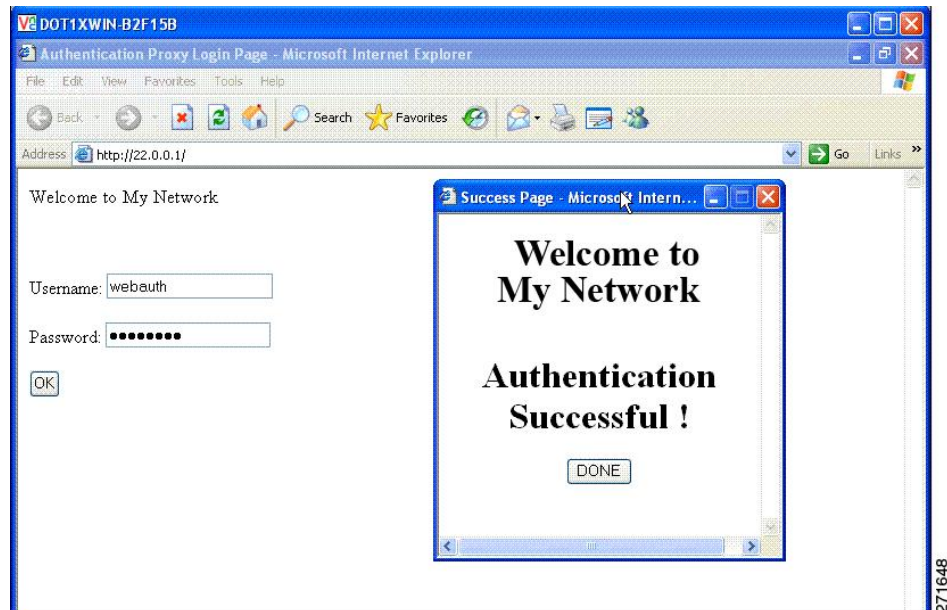


The banner can be customized as follows:

- Add a message, such as switch, router, or company name to the banner:
 - Legacy mode—Use the **ip admission auth-proxy-banner http banner-text** global configuration command.
 - New-style mode—Use the **parameter-map type webauth global banner** global configuration command
- Add a logo or text file to the banner :
 - Legacy mode—Use the **ip admission auth-proxy-banner http file-path** global configuration command.

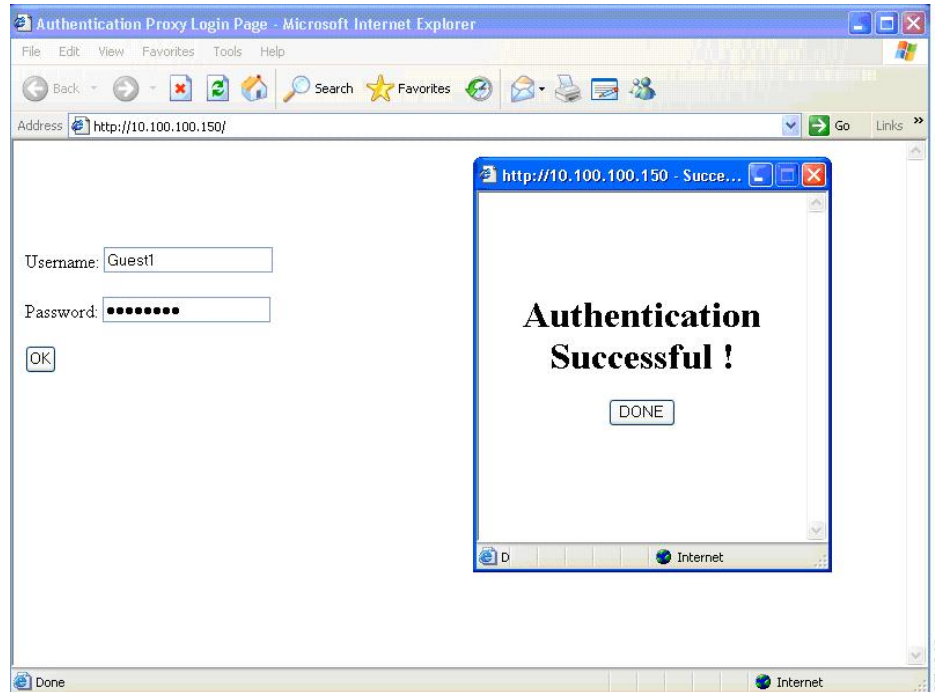
- New-style mode—Use the **parameter-map type webauth global banner** global configuration command

Figure 25: Customized Web Banner



If you do not enable a banner, only the username and password dialog boxes appear in the web authentication login screen, and no banner appears when you log into the switch.

Figure 26: Login Screen With No Banner



For more information, see the *Session Aware Networking Configuration Guide, Cisco IOS XE Release 3SE (Catalyst 3850 Switches)*, *Session Aware Networking Configuration Guide, Cisco IOS XE Release 3SE (Catalyst 3850 Switches)* and the *Web Authentication Enhancements - Customizing Authentication Proxy Web Pages*.

Web Authentication Customizable Web Pages

During the web-based authentication process, the switch internal HTTP server hosts four HTML pages to deliver to an authenticating client. The server uses these pages to notify you of these four-authentication process states:

- Login—Your credentials are requested.
- Success—The login was successful.
- Fail—The login failed.
- Expire—The login session has expired because of excessive login failures.

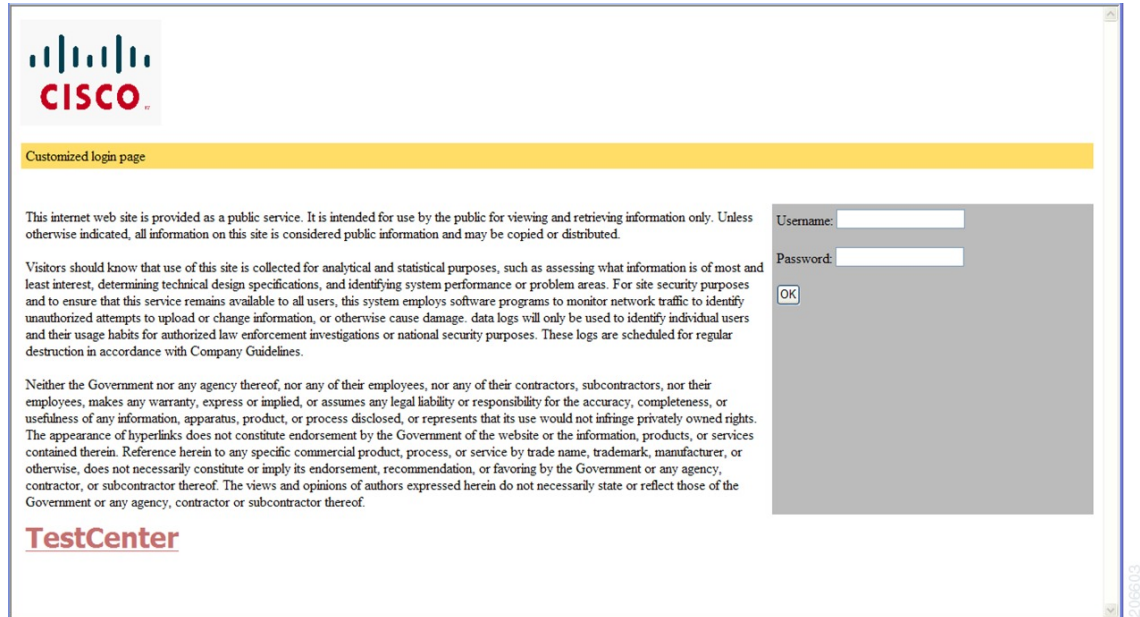
Guidelines

- You can substitute your own HTML pages for the default internal HTML pages.
- You can use a logo or specify text in the *login*, *success*, *failure*, and *expire* web pages.

- On the banner page, you can specify text in the login page.
- The pages are in HTML.
- You must include an HTML redirect command in the success page to access a specific URL.
- The URL string must be a valid URL (for example, `http://www.cisco.com`). An incomplete URL might cause *page not found* or similar errors on a web browser.
- If you configure web pages for HTTP authentication, they must include the appropriate HTML commands (for example, to set the page time out, to set a hidden password, or to confirm that the same page is not submitted twice).
- The CLI command to redirect users to a specific URL is not available when the configured login form is enabled. The administrator should ensure that the redirection is configured in the web page.
- If the CLI command redirecting users to specific URL after authentication occurs is entered and then the command configuring web pages is entered, the CLI command redirecting users to a specific URL does not take effect.
- Configured web pages can be copied to the switch boot flash or flash.
- On stackable switches, configured pages can be accessed from the flash on the stack master or members.
- The login page can be on one flash, and the success and failure pages can be another flash (for example, the flash on the stack master or a member).
- You must configure all four pages.
- The banner page has no effect if it is configured with the web page.
- All of the logo files (image, flash, audio, video, and so on) that are stored in the system directory (for example, flash, disk0, or disk) and that must be displayed on the login page must use `web_auth_<filename>` as the file name.
- The configured authentication proxy feature supports both HTTP and SSL.

You can substitute your HTML pages for the default internal HTML pages. You can also specify a URL to which users are redirected after authentication occurs, which replaces the internal Success page.

Figure 27: Customizable Authentication Page



Authentication Proxy Web Page Guidelines

When configuring customized authentication proxy web pages, follow these guidelines:

- To enable the custom web pages feature, specify all four custom HTML files. If you specify fewer than four files, the internal default HTML pages are used.
- The four custom HTML files must be present on the flash memory of the switch. The maximum size of each HTML file is 8 KB.
- Any images on the custom pages must be on an accessible HTTP server. Configure an intercept ACL within the admission rule.
- Any external link from a custom page requires configuration of an intercept ACL within the admission rule.
- To access a valid DNS server, any name resolution required for external links or images requires configuration of an intercept ACL within the admission rule.
- If the custom web pages feature is enabled, a configured auth-proxy-banner is not used.
- If the custom web pages feature is enabled, the redirection URL for successful login feature is not available.
- To remove the specification of a custom file, use the **no** form of the command.

Because the custom login page is a public web form, consider these guidelines for the page:

- The login form must accept user entries for the username and password and must show them as **uname** and **pwd**.
- The custom login page should follow best practices for a web form, such as page timeout, hidden password, and prevention of redundant submissions.

Related Topics

[Customizing the Authentication Proxy Web Pages](#), on page 386

Redirection URL for Successful Login Guidelines

When configuring a redirection URL for successful login, consider these guidelines:

- If the custom authentication proxy web pages feature is enabled, the redirection URL feature is disabled and is not available in the CLI. You can perform redirection in the custom-login success page.
- If the redirection URL feature is enabled, a configured auth-proxy-banner is not used.
- To remove the specification of a redirection URL, use the **no** form of the command.
- If the redirection URL is required after the web-based authentication client is successfully authenticated, then the URL string must start with a valid URL (for example, http://) followed by the URL information. If only the URL is given without http://, then the redirection URL on successful authentication might cause page not found or similar errors on a web browser.

Related Topics

[Specifying a Redirection URL for Successful Login](#), on page 388

Web-based Authentication Interactions with Other Features

Port Security

You can configure web-based authentication and port security on the same port. Web-based authentication authenticates the port, and port security manages network access for all MAC addresses, including that of the client. You can then limit the number or group of clients that can access the network through the port.

Related Topics

[Enabling and Configuring Port Security](#), on page 416

LAN Port IP

You can configure LAN port IP (LPIP) and Layer 2 web-based authentication on the same port. The host is authenticated by using web-based authentication first, followed by LPIP posture validation. The LPIP host policy overrides the web-based authentication host policy.

If the web-based authentication idle timer expires, the NAC policy is removed. The host is authenticated, and posture is validated again.

Gateway IP

You cannot configure Gateway IP (GWIP) on a Layer 3 VLAN interface if web-based authentication is configured on any of the switch ports in the VLAN.

You can configure web-based authentication on the same Layer 3 interface as Gateway IP. The host policies for both features are applied in software. The GWIP policy overrides the web-based authentication host policy.

ACLs

If you configure a VLAN ACL or a Cisco IOS ACL on an interface, the ACL is applied to the host traffic only after the web-based authentication host policy is applied.

For Layer 2 web-based authentication, it is more secure, though not required, to configure a port ACL (PACL) as the default access policy for ingress traffic from hosts connected to the port. After authentication, the web-based authentication host policy overrides the PACL. The Policy ACL is applied to the session even if there is no ACL configured on the port.

You cannot configure a MAC ACL and web-based authentication on the same interface.

You cannot configure web-based authentication on a port whose access VLAN is configured for VACL capture.

Context-Based Access Control

Web-based authentication cannot be configured on a Layer 2 port if context-based access control (CBAC) is configured on the Layer 3 VLAN interface of the port VLAN.

EtherChannel

You can configure web-based authentication on a Layer 2 EtherChannel interface. The web-based authentication configuration applies to all member channels.

How to Configure Web-Based Authentication

Default Web-Based Authentication Configuration

The following table shows the default web-based authentication configuration.

Table 31: Default Web-based Authentication Configuration

Feature	Default Setting
AAA	Disabled

Feature	Default Setting
RADIUS server <ul style="list-style-type: none"> • IP address • UDP authentication port • Key 	<ul style="list-style-type: none"> • None specified • 1645 • None specified
Default value of inactivity timeout	3600 seconds
Inactivity timeout	Enabled

Web-Based Authentication Configuration Guidelines and Restrictions

- Web-based authentication is an ingress-only feature.
- You can configure web-based authentication only on access ports. Web-based authentication is not supported on trunk ports, EtherChannel member ports, or dynamic trunk ports.
- External web authentication, where the switch redirects a client to a particular host or web server for displaying login message, is not supported.
- You cannot authenticate hosts on Layer 2 interfaces with static ARP cache assignment. These hosts are not detected by the web-based authentication feature because they do not send ARP messages.
- By default, the IP device tracking feature is disabled on a switch. You must enable the IP device tracking feature to use web-based authentication.
- You must configure at least one IP address to run the switch HTTP server. You must also configure routes to reach each host IP address. The HTTP server sends the HTTP login page to the host.
- Hosts that are more than one hop away might experience traffic disruption if an STP topology change results in the host traffic arriving on a different port. This occurs because the ARP and DHCP updates might not be sent after a Layer 2 (STP) topology change.
- Web-based authentication does not support VLAN assignment as a downloadable-host policy.
- Web-based authentication supports IPv6 in Session-aware policy mode. IPv6 Web-authentication requires at least one IPv6 address configured on the switch and IPv6 Snooping configured on the switchport.
- Web-based authentication and Network Edge Access Topology (NEAT) are mutually exclusive. You cannot use web-based authentication when NEAT is enabled on an interface, and you cannot use NEAT when web-based authentication is running on an interface.
- Web-based authentication NRH (Non-Responsive Host) is not supported for voice devices.
- Only the Password Authentication Protocol (PAP) is supported for web-based RADIUS authentication on controllers. The Challenge Handshake Authentication Protocol (CHAP) is not supported for web-based RADIUS authentication on controllers.
- Identify the following RADIUS security server settings that will be used while configuring switch-to-RADIUS-server communication:

- Host name
- Host IP address
- Host name and specific UDP port numbers
- IP address and specific UDP port numbers

The combination of the IP address and UDP port number creates a unique identifier, that enables RADIUS requests to be sent to multiple UDP ports on a server at the same IP address. If two different host entries on the same RADIUS server are configured for the same service (for example, authentication) the second host entry that is configured functions as the failover backup to the first one. The RADIUS host entries are chosen in the order that they were configured.

- When you configure the RADIUS server parameters:
 - Specify the **key string** on a separate command line.
 - For **key string**, specify the authentication and encryption key used between the switch and the RADIUS daemon running on the RADIUS server. The key is a text string that must match the encryption key used on the RADIUS server.
 - When you specify the **key string**, use spaces within and at the end of the key. If you use spaces in the key, do not enclose the key in quotation marks unless the quotation marks are part of the key. This key must match the encryption used on the RADIUS daemon.
 - You can globally configure the timeout, retransmission, and encryption key values for all RADIUS servers by using with the **radius-server host** global configuration command. If you want to configure these options on a per-server basis, use the **radius-server timeout**, **radius-server transmit**, and the **radius-server key** global configuration commands. For more information, see the *Cisco IOS Security Configuration Guide*, Release 12.4 and the *Cisco IOS Security Command Reference*, Release 12.4.

**Note**

You need to configure some settings on the RADIUS server, including: the switch IP address, the key string to be shared by both the server and the switch, and the downloadable ACL (DAACL). For more information, see the RADIUS server documentation.

Configuring the Authentication Rule and Interfaces

Examples in this section are legacy-style configurations. For new-style configurations, see the *Session Aware Networking Configuration Guide, Cisco IOS XE Release 3SE (Catalyst 3850 Switches)*

Follow these steps to configure the authentication rule and interfaces:

SUMMARY STEPS

1. **enable**
2. **configure terminal**
3. **ip admission name *name* proxy http**
4. **interface *type slot/port***
5. **ip access-group *name***
6. **ip admission name**
7. **exit**
8. **ip device tracking**
9. **end**
10. **show ip admission status**
11. **copy running-config startup-config**

DETAILED STEPS

	Command or Action	Purpose
Step 1	enable Example: Switch> enable	Enables privileged EXEC mode. Enter your password if prompted.
Step 2	configure terminal Example: Switch# configure terminal	Enters the global configuration mode.
Step 3	ip admission name <i>name</i> proxy http Example: Switch(config)# ip admission name webauth1 proxy http	Configures an authentication rule for web-based authorization.
Step 4	interface <i>type slot/port</i> Example: Switch(config)# interface gigabitEthernet1/0/1	Enters interface configuration mode and specifies the ingress Layer 2 or Layer 3 interface to be enabled for web-based authentication. <i>type</i> can be fastethernet, gigabit ethernet, or tengigabitethernet.

	Command or Action	Purpose
Step 5	ip access-group <i>name</i> Example: Switch(config-if) # ip access-group webauthag	Applies the default ACL.
Step 6	ip admission name Example: Switch(config) # ip admission name	Configures an authentication rule for web-based authorization for the interface.
Step 7	exit Example: Switch(config-if) # exit	Returns to configuration mode.
Step 8	ip device tracking Example: Switch(config) # ip device tracking	Enables the IP device tracking table.
Step 9	end Example: Switch(config) # end	Returns to privileged EXEC mode.
Step 10	show ip admission status Example: Switch# show ip admission status	Displays the configuration.
Step 11	copy running-config startup-config Example: Switch# copy running-config startup-config	(Optional) Saves your entries in the configuration file.

Configuring AAA Authentication

Follow these steps to configure AAA authentication:

**Note**

Use default list for AAA authorization, if you are planning to use features such as dACL.

SUMMARY STEPS

1. **enable**
2. **configure terminal**
3. **aaa new-model**
4. **aaa authentication login default group {tacacs+ | radius}**
5. **aaa authorization auth-proxy default group {tacacs+ | radius}**
6. **tacacs-server host {hostname | ip_address}**
7. **tacacs-server key {key-data}**
8. **end**
9. **show running-config**
10. **copy running-config startup-config**

DETAILED STEPS

	Command or Action	Purpose
Step 1	enable Example: Switch> enable	Enables privileged EXEC mode. Enter your password if prompted.
Step 2	configure terminal Example: Switch# configure terminal	Enters the global configuration mode.
Step 3	aaa new-model Example: Switch(config)# aaa new-model	Enables AAA functionality.
Step 4	aaa authentication login default group {tacacs+ radius} Example: Switch(config)# aaa authentication login default group tacacs+	Defines the list of authentication methods at login.

	Command or Action	Purpose
Step 5	aaa authorization auth-proxy default group {tacacs+ radius} Example: <pre>Switch(config)# aaa authorization auth-proxy default group tacacs+</pre>	Creates an authorization method list for web-based authorization.
Step 6	tacacs-server host {hostname ip_address} Example: <pre>Switch(config)# tacacs-server host 10.1.1.1</pre>	Specifies an AAA server.
Step 7	tacacs-server key {key-data} Example: <pre>Switch(config)# tacacs-server key</pre>	Configures the authorization and encryption key used between the switch and the TACACS server.
Step 8	end Example: <pre>Switch(config)# end</pre>	Returns to privileged EXEC mode.
Step 9	show running-config Example: <pre>Switch# show running-config</pre>	Verifies your entries.
Step 10	copy running-config startup-config Example: <pre>Switch# copy running-config startup-config</pre>	(Optional) Saves your entries in the configuration file.

Configuring Switch-to-RADIUS-Server Communication

Follow these steps to configure the RADIUS server parameters:

SUMMARY STEPS

1. **enable**
2. **configure terminal**
3. **ip radius source-interface vlan** *vlan interface number*
4. **radius-server host** *{hostname | ip-address}* **test username** *username*
5. **radius-server key** *string*
6. **radius-server dead-criteria tries** *num-tries*
7. **end**

DETAILED STEPS

	Command or Action	Purpose
Step 1	enable Example: Switch> enable	Enables privileged EXEC mode. Enter your password if prompted.
Step 2	configure terminal Example: Switch# configure terminal	Enters the global configuration mode.
Step 3	ip radius source-interface vlan <i>vlan interface number</i> Example: Switch(config)# ip radius source-interface vlan 80	Specifies that the RADIUS packets have the IP address of the indicated interface.
Step 4	radius-server host <i>{hostname ip-address}</i> test username <i>username</i> Example: Switch(config)# radius-server host 172.120.39.46 test username user1	Specifies the host name or IP address of the remote RADIUS server. The test username <i>username</i> option enables automated testing of the RADIUS server connection. The specified <i>username</i> does not need to be a valid user name. The key option specifies an authentication and encryption key to use between the switch and the RADIUS server. To use multiple RADIUS servers, reenter this command for each server.
Step 5	radius-server key <i>string</i> Example: Switch(config)# radius-server key rad123	Configures the authorization and encryption key used between the switch and the RADIUS daemon running on the RADIUS server.

	Command or Action	Purpose
Step 6	<p>radius-server dead-criteria tries <i>num-tries</i></p> <p>Example:</p> <pre>Switch(config)# radius-server dead-criteria tries 30</pre>	Specifies the number of unanswered sent messages to a RADIUS server before considering the server to be inactive. The range of <i>num-tries</i> is 1 to 100.
Step 7	<p>end</p> <p>Example:</p> <pre>Switch(config)# end</pre>	Returns to privileged EXEC mode.

Configuring the HTTP Server

To use web-based authentication, you must enable the HTTP server within the Switch. You can enable the server for either HTTP or HTTPS.



Note The Apple psuedo-browser will not open if you configure only the **ip http secure-server** command. You should also configure the **ip http server** command.

Follow these steps to enable the server for either HTTP or HTTPS:

SUMMARY STEPS

1. **enable**
2. **configure terminal**
3. **ip http server**
4. **ip http secure-server**
5. **end**

DETAILED STEPS

	Command or Action	Purpose
Step 1	<p>enable</p> <p>Example:</p> <pre>Switch> enable</pre>	Enables privileged EXEC mode. Enter your password if prompted.

	Command or Action	Purpose
Step 2	configure terminal Example: Switch# <code>configure terminal</code>	Enters the global configuration mode.
Step 3	ip http server Example: Switch(config)# <code>ip http server</code>	Enables the HTTP server. The web-based authentication feature uses the HTTP server to communicate with the hosts for user authentication.
Step 4	ip http secure-server Example: Switch(config)# <code>ip http secure-server</code>	Enables HTTPS. You can configure custom authentication proxy web pages or specify a redirection URL for successful login. Note To ensure secure authentication when you enter the ip http secure-server command, the login page is always in HTTPS (secure HTTP) even if the user sends an HTTP request.
Step 5	end Example: Switch(config)# <code>end</code>	Returns to privileged EXEC mode.

Customizing the Authentication Proxy Web Pages

You can configure web authentication to display four substitute HTML pages to the user in place of the Switch default HTML pages during web-based authentication.

For the equivalent Session Aware Networking configuration example for this feature, see the section "Configuring a Parameter Map for Web-Based Authentication" in the chapter, "Configuring Identity Control Policies." of the book, *Session Aware Networking Configuration Guide, Cisco IOS XE Release 3SE (Catalyst 3850 Switches)*.

Follow these steps to specify the use of your custom authentication proxy web pages:

Before You Begin

Store your custom HTML files on the Switch flash memory.

SUMMARY STEPS

1. enable
2. configure terminal
3. ip admission proxy http login page file *device:login-filename*
4. ip admission proxy http success page file *device:success-filename*
5. ip admission proxy http failure page file *device:fail-filename*
6. ip admission proxy http login expired page file *device:expired-filename*
7. end

DETAILED STEPS

	Command or Action	Purpose
Step 1	enable Example: Switch> enable	Enables privileged EXEC mode. Enter your password if prompted.
Step 2	configure terminal Example: Switch# configure terminal	Enters the global configuration mode.
Step 3	ip admission proxy http login page file <i>device:login-filename</i> Example: Switch(config)# ip admission proxy http login page file disk1:login.htm	Specifies the location in the Switch memory file system of the custom HTML file to use in place of the default login page. The <i>device:</i> is flash memory.
Step 4	ip admission proxy http success page file <i>device:success-filename</i> Example: Switch(config)# ip admission proxy http success page file disk1:success.htm	Specifies the location of the custom HTML file to use in place of the default login success page.
Step 5	ip admission proxy http failure page file <i>device:fail-filename</i> Example: Switch(config)# ip admission proxy http fail page file disk1:fail.htm	Specifies the location of the custom HTML file to use in place of the default login failure page.

	Command or Action	Purpose
Step 6	ip admission proxy http login expired page file <i>device:expired-filename</i> Example: <pre>Switch(config)# ip admission proxy http login expired page file disk1:expired.htm</pre>	Specifies the location of the custom HTML file to use in place of the default login expired page.
Step 7	end Example: <pre>Switch(config)# end</pre>	Returns to privileged EXEC mode.

Related Topics

[Authentication Proxy Web Page Guidelines, on page 375](#)

Specifying a Redirection URL for Successful Login

Follow these steps to specify a URL to which the user is redirected after authentication, effectively replacing the internal Success HTML page:

SUMMARY STEPS

1. **enable**
2. **configure terminal**
3. **ip admission proxy http success redirect *url-string***
4. **end**

DETAILED STEPS

	Command or Action	Purpose
Step 1	enable Example: <pre>Switch> enable</pre>	Enables privileged EXEC mode. Enter your password if prompted.

	Command or Action	Purpose
Step 2	configure terminal Example: Switch# configure terminal	Enters the global configuration mode.
Step 3	ip admission proxy http success redirect <i>url-string</i> Example: Switch(config)# ip admission proxy http success redirect www.example.com	Specifies a URL for redirection of the user in place of the default login success page.
Step 4	end Example: Switch(config)# end	Returns to privileged EXEC mode.

Related Topics

[Redirection URL for Successful Login Guidelines, on page 376](#)

Configuring the Web-Based Authentication Parameters

Follow these steps to configure the maximum number of failed login attempts before the client is placed in a watch list for a waiting period:

SUMMARY STEPS

1. **enable**
2. **configure terminal**
3. **ip admission max-login-attempts *number***
4. **end**
5. **show running-config**
6. **copy running-config startup-config**

DETAILED STEPS

	Command or Action	Purpose
Step 1	enable Example: Switch> enable	Enables privileged EXEC mode. Enter your password if prompted.
Step 2	configure terminal Example: Switch# configure terminal	Enters the global configuration mode.
Step 3	ip admission max-login-attempts <i>number</i> Example: Switch(config)# ip admission max-login-attempts 10	Sets the maximum number of failed login attempts. The range is 1 to 2147483647 attempts. The default is 5.
Step 4	end Example: Switch(config)# end	Returns to privileged EXEC mode.
Step 5	show running-config Example: Switch# show running-config	Verifies your entries.
Step 6	copy running-config startup-config Example: Switch# copy running-config startup-config	(Optional) Saves your entries in the configuration file.

Configuring a Web-Based Authentication Local Banner

Follow these steps to configure a local banner on a switch that has web authentication configured.

SUMMARY STEPS

1. **enable**
2. **configure terminal**
3. **ip admission auth-proxy-banner http** [*banner-text* | *file-path*]
4. **end**
5. **show running-config**
6. **copy running-config startup-config**

DETAILED STEPS

	Command or Action	Purpose
Step 1	enable Example: Switch> enable	Enables privileged EXEC mode. Enter your password if prompted.
Step 2	configure terminal Example: Switch# configure terminal	Enters the global configuration mode.
Step 3	ip admission auth-proxy-banner http [<i>banner-text</i> <i>file-path</i>] Example: Switch(config)# ip admission auth-proxy-banner http C My Switch C	Enables the local banner. (Optional) Create a custom banner by entering <i>C banner-text C</i> (where <i>C</i> is a delimiting character), or <i>file-path</i> that indicates a file (for example, a logo or text file) that appears in the banner.
Step 4	end Example: Switch(config)# end	Returns to privileged EXEC mode.
Step 5	show running-config Example: Switch# show running-config	Verifies your entries.

	Command or Action	Purpose
Step 6	copy running-config startup-config Example: Switch# <code>copy running-config startup-config</code>	(Optional) Saves your entries in the configuration file.

Configuring Web-Based Authentication without SVI

You configure the web-based authentication without SVI feature to redirect the HTML login page to the client without creating an IP address in the routing table. These steps are optional.

SUMMARY STEPS

1. `enable`
2. `configure terminal`
3. `parameter-map type webauth global`
4. `l2-webauth-enabled`
5. `end`
6. `show running-config`
7. `copy running-config startup-config`

DETAILED STEPS

	Command or Action	Purpose
Step 1	enable Example: Switch> <code>enable</code>	Enables privileged EXEC mode. Enter your password if prompted.
Step 2	configure terminal Example: Switch# <code>configure terminal</code>	Enters the global configuration mode.
Step 3	parameter-map type webauth global Example: Switch (config)# <code>parameter-map type webauth global</code>	Creates a parameter map and enters parameter-map webauth configuration mode. The specific configuration commands supported for a global parameter map defined with the global keyword differ from the commands supported for a named parameter map defined with the parameter-map-name argument.

	Command or Action	Purpose
Step 4	l2-webauth-enabled Example: Switch (config-params-parameter-map)# l2-webauth-enabled	Enables the web-based authentication without SVI feature
Step 5	end Example: Switch(config)# end	Returns to privileged EXEC mode.
Step 6	show running-config Example: Switch# show running-config	Verifies your entries.
Step 7	copy running-config startup-config Example: Switch# copy running-config startup-config	(Optional) Saves your entries in the configuration file.

Configuring Web-Based Authentication with VRF Aware

You configure the web-based authentication with VRF aware to redirect the HTML login page to the client. These steps are optional.

SUMMARY STEPS

1. **enable**
2. **configure terminal**
3. **parameter-map type webauth global**
4. **webauth-vrf-aware**
5. **end**
6. **show running-config**
7. **copy running-config startup-config**

DETAILED STEPS

	Command or Action	Purpose
Step 1	enable Example: Switch> enable	Enables privileged EXEC mode. Enter your password if prompted.
Step 2	configure terminal Example: Switch# configure terminal	Enters the global configuration mode.
Step 3	parameter-map type webauth global Example: Switch (config)# parameter-map type webauth global	Creates a parameter map and enters parameter-map webauth configuration mode. The specific configuration commands supported for a global parameter map defined with the global keyword differ from the commands supported for a named parameter map defined with the parameter-map-name argument.
Step 4	webauth-vrf-aware Example: Switch (config-params-parameter-map)# webauth-vrf-aware	Enables the web-based authentication VRF aware feature on SVI.
Step 5	end Example: Switch(config)# end	Returns to privileged EXEC mode.
Step 6	show running-config Example: Switch# show running-config	Verifies your entries.
Step 7	copy running-config startup-config Example: Switch# copy running-config startup-config	(Optional) Saves your entries in the configuration file.

Removing Web-Based Authentication Cache Entries

Follow these steps to remove web-based authentication cache entries:

SUMMARY STEPS

1. enable
2. clear ip auth-proxy cache { * | host ip address }
3. clear ip admission cache { * | host ip address }

DETAILED STEPS

	Command or Action	Purpose
Step 1	<p>enable</p> <p>Example:</p> <pre>Switch> enable</pre>	Enables privileged EXEC mode. Enter your password if prompted.
Step 2	<p>clear ip auth-proxy cache { * host ip address }</p> <p>Example:</p> <pre>Switch# clear ip auth-proxy cache 192.168.4.5</pre>	Delete authentication proxy entries. Use an asterisk to delete all cache entries. Enter a specific IP address to delete the entry for a single host.
Step 3	<p>clear ip admission cache { * host ip address }</p> <p>Example:</p> <pre>Switch# clear ip admission cache 192.168.4.5</pre>	Delete authentication proxy entries. Use an asterisk to delete all cache entries. Enter a specific IP address to delete the entry for a single host.

Monitoring Web-Based Authentication Status

Use the commands in this topic to display the web-based authentication settings for all interfaces or for specific ports.

Table 32: Privileged EXEC show Commands

Command	Purpose
show authentication sessions method webauth	Displays the web-based authentication settings for all interfaces for fastethernet, gigabitethernet, or tengigabitethernet

Command	Purpose
show authentication sessions interface <i>type slot/port[details]</i>	Displays the web-based authentication settings for the specified interface for fastethernet, gigabitethernet, or tengigabitethernet. In Session Aware Networking mode, use the show access-session interface command.



Configuring Port-Based Traffic Control

- [Overview of Port-Based Traffic Control](#) , page 397
- [Finding Feature Information](#), page 398
- [Information About Storm Control](#), page 398
- [How to Configure Storm Control](#), page 400
- [Information About Protected Ports](#), page 405
- [How to Configure Protected Ports](#), page 405
- [Monitoring Protected Ports](#), page 407
- [Where to Go Next](#), page 407
- [Information About Port Blocking](#), page 408
- [How to Configure Port Blocking](#), page 408
- [Monitoring Port Blocking](#), page 410
- [Prerequisites for Port Security](#), page 410
- [Restrictions for Port Security](#), page 410
- [Information About Port Security](#), page 411
- [How to Configure Port Security](#), page 416
- [Configuration Examples for Port Security](#), page 434

Overview of Port-Based Traffic Control

Port-based traffic control is a set of Layer 2 features on the Cisco Catalyst switches used to filter or block packets at the port level in response to specific traffic conditions. The following port-based traffic control features are supported in the Cisco IOS Release for which this guide is written:

- Storm Control
- Protected Ports
- Port Blocking

- Port Security
- Protocol Storm Protection

Finding Feature Information

Your software release may not support all the features documented in this module. For the latest caveats and feature information, see Bug Search Tool and the release notes for your platform and software release. To find information about the features documented in this module, and to see a list of the releases in which each feature is supported, see the feature information table at the end of this module.

Use Cisco Feature Navigator to find information about platform support and Cisco software image support. To access Cisco Feature Navigator, go to <http://www.cisco.com/go/cfn>. An account on Cisco.com is not required.

Information About Storm Control

Storm Control

Storm control prevents traffic on a LAN from being disrupted by a broadcast, multicast, or unicast storm on one of the physical interfaces. A LAN storm occurs when packets flood the LAN, creating excessive traffic and degrading network performance. Errors in the protocol-stack implementation, mistakes in network configurations, or users issuing a denial-of-service attack can cause a storm.

Storm control (or traffic suppression) monitors packets passing from an interface to the switching bus and determines if the packet is unicast, multicast, or broadcast. The switch counts the number of packets of a specified type received within the 1-second time interval and compares the measurement with a predefined suppression-level threshold.

How Traffic Activity is Measured

Storm control uses one of these methods to measure traffic activity:

- Bandwidth as a percentage of the total available bandwidth of the port that can be used by the broadcast, multicast, or unicast traffic
- Traffic rate in packets per second at which broadcast, multicast, or unicast packets are received
- Traffic rate in bits per second at which broadcast, multicast, or unicast packets are received
- Traffic rate in packets per second and for small frames. This feature is enabled globally. The threshold for small frames is configured for each interface.

With each method, the port blocks traffic when the rising threshold is reached. The port remains blocked until the traffic rate drops below the falling threshold (if one is specified) and then resumes normal forwarding. If the falling suppression level is not specified, the switch blocks all traffic until the traffic rate drops below the rising suppression level. In general, the higher the level, the less effective the protection against broadcast storms.

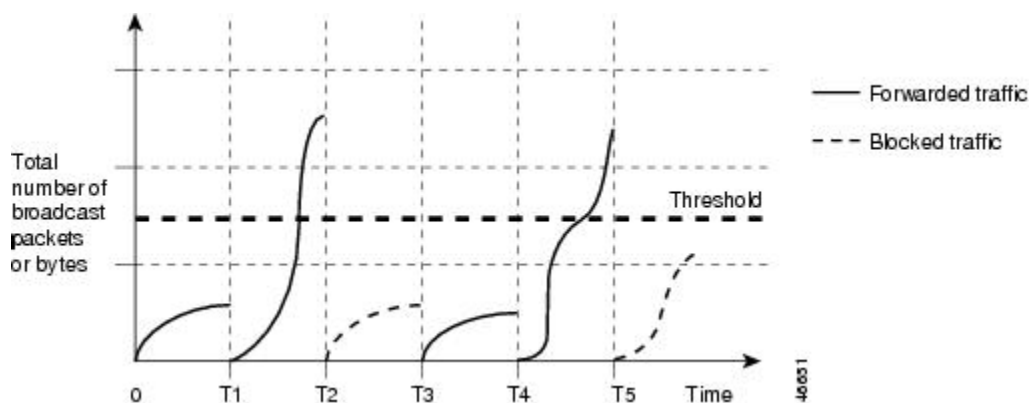
**Note**

When the storm control threshold for multicast traffic is reached, all multicast traffic except control traffic, such as bridge protocol data unit (BDPU) and Cisco Discovery Protocol (CDP) frames, are blocked. However, the switch does not differentiate between routing updates, such as OSPF, and regular multicast data traffic, so both types of traffic are blocked.

Traffic Patterns

This example shows broadcast traffic patterns on an interface over a given period of time.

Figure 28: Broadcast Storm Control Example



Broadcast traffic being forwarded exceeded the configured threshold between time intervals T1 and T2 and between T4 and T5. When the amount of specified traffic exceeds the threshold, all traffic of that kind is dropped for the next time period. Therefore, broadcast traffic is blocked during the intervals following T2 and T5. At the next time interval (for example, T3), if broadcast traffic does not exceed the threshold, it is again forwarded.

The combination of the storm-control suppression level and the 1-second time interval controls the way the storm control algorithm works. A higher threshold allows more packets to pass through. A threshold value of 100 percent means that no limit is placed on the traffic. A value of 0.0 means that all broadcast, multicast, or unicast traffic on that port is blocked.

**Note**

Because packets do not arrive at uniform intervals, the 1-second time interval during which traffic activity is measured can affect the behavior of storm control.

You use the **storm-control** interface configuration commands to set the threshold value for each traffic type.

How to Configure Storm Control

Configuring Storm Control and Threshold Levels

You configure storm control on a port and enter the threshold level that you want to be used for a particular type of traffic.

However, because of hardware limitations and the way in which packets of different sizes are counted, threshold percentages are approximations. Depending on the sizes of the packets making up the incoming traffic, the actual enforced threshold might differ from the configured level by several percentage points.



Note

Storm control is supported on physical interfaces. You can also configure storm control on an EtherChannel. When storm control is configured on an EtherChannel, the storm control settings propagate to the EtherChannel physical interfaces.

Follow these steps to storm control and threshold levels:

Before You Begin

Storm control is supported on physical interfaces. You can also configure storm control on an EtherChannel. When storm control is configured on an EtherChannel, the storm control settings propagate to the EtherChannel physical interfaces.

SUMMARY STEPS

1. **enable**
2. **configure terminal**
3. **interface** *interface-id*
4. **storm-control** {**broadcast** | **multicast** | **unicast**} **level** {*level* [*level-low*] | **bps** *bps* [*bps-low*] | **pps** *pps* [*pps-low*]}
5. **storm-control action** {**shutdown** | **trap**}
6. **end**
7. **show storm-control** [*interface-id*] [**broadcast** | **multicast** | **unicast**]
8. **copy running-config startup-config**

DETAILED STEPS

	Command or Action	Purpose
Step 1	enable Example: Switch> enable	Enables privileged EXEC mode. Enter your password if prompted.

	Command or Action	Purpose
Step 2	<p>configure terminal</p> <p>Example:</p> <pre>Switch# configure terminal</pre>	Enters the global configuration mode.
Step 3	<p>interface <i>interface-id</i></p> <p>Example:</p> <pre>Switch(config)# interface gigabitethernet1/0/1</pre>	Specifies the interface to be configured, and enter interface configuration mode.
Step 4	<p>storm-control {broadcast multicast unicast} level {<i>level</i> [<i>level-low</i>] bps [<i>bps-low</i>] pps [<i>pps-low</i>]}</p> <p>Example:</p> <pre>Switch(config-if)# storm-control unicast level 87 65</pre>	<p>Configures broadcast, multicast, or unicast storm control. By default, storm control is disabled.</p> <p>The keywords have these meanings:</p> <ul style="list-style-type: none"> • For <i>level</i>, specifies the rising threshold level for broadcast, multicast, or unicast traffic as a percentage (up to two decimal places) of the bandwidth. The port blocks traffic when the rising threshold is reached. The range is 0.00 to 100.00. • (Optional) For <i>level-low</i>, specifies the falling threshold level as a percentage (up to two decimal places) of the bandwidth. This value must be less than or equal to the rising suppression value. The port forwards traffic when traffic drops below this level. If you do not configure a falling suppression level, it is set to the rising suppression level. The range is 0.00 to 100.00. <p>If you set the threshold to the maximum value (100 percent), no limit is placed on the traffic. If you set the threshold to 0.0, all broadcast, multicast, and unicast traffic on that port is blocked.</p> <ul style="list-style-type: none"> • For bps <i>bps</i>, specifies the rising threshold level for broadcast, multicast, or unicast traffic in bits per second (up to one decimal place). The port blocks traffic when the rising threshold is reached. The range is 0.0 to 10000000000.0. • (Optional) For <i>bps-low</i>, specifies the falling threshold level in bits per second (up to one decimal place). It can be less than or equal to the rising threshold level. The port forwards traffic when traffic drops below this level. The range is 0.0 to 10000000000.0. • For pps <i>pps</i>, specifies the rising threshold level for broadcast, multicast, or unicast traffic in packets per second (up to one decimal place). The port blocks traffic when the rising threshold is reached. The range is 0.0 to 10000000000.0. • (Optional) For <i>pps-low</i>, specifies the falling threshold level in packets per second (up to one decimal place). It can be less than or equal to the rising threshold level. The port forwards traffic when traffic drops below this level. The range is 0.0 to 10000000000.0.

	Command or Action	Purpose
		For BPS and PPS settings, you can use metric suffixes such as k, m, and g for large number thresholds.
Step 5	storm-control action {shutdown trap} Example: <pre>Switch(config-if)# storm-control action trap</pre>	Specifies the action to be taken when a storm is detected. The default is to filter out the traffic and not to send traps. <ul style="list-style-type: none"> • Select the shutdown keyword to error-disable the port during a storm. • Select the trap keyword to generate an SNMP trap when a storm is detected.
Step 6	end Example: <pre>Switch(config-if)# end</pre>	Returns to privileged EXEC mode.
Step 7	show storm-control [interface-id] [broadcast multicast unicast] Example: <pre>Switch# show storm-control gigabitethernet1/0/1 unicast</pre>	Verifies the storm control suppression levels set on the interface for the specified traffic type. If you do not enter a traffic type, details for all traffic types (broadcast, multicast and unicast) are displayed.
Step 8	copy running-config startup-config Example: <pre>Switch# copy running-config startup-config</pre>	(Optional) Saves your entries in the configuration file.

Configuring Small-Frame Arrival Rate

Incoming VLAN-tagged packets smaller than 67 bytes are considered small frames. They are forwarded by the switch, but they do not cause the switch storm-control counters to increment.

You globally enable the small-frame arrival feature on the switch and then configure the small-frame threshold for packets on each interface. Packets smaller than the minimum size and arriving at a specified rate (the threshold) are dropped since the port is error disabled.

SUMMARY STEPS

1. **enable**
2. **configure terminal**
3. **errdisable detect cause small-frame**
4. **errdisable recovery interval *interval***
5. **errdisable recovery cause small-frame**
6. **interface *interface-id***
7. **small-frame violation-rate *pps***
8. **end**
9. **show interfaces *interface-id***
10. **show running-config**
11. **copy running-config startup-config**

DETAILED STEPS

	Command or Action	Purpose
Step 1	enable Example: Switch> enable	Enables privileged EXEC mode. Enter your password if prompted.
Step 2	configure terminal Example: Switch# configure terminal	Enters the global configuration mode.
Step 3	errdisable detect cause small-frame Example: Switch(config)# errdisable detect cause small-frame	Enables the small-frame rate-arrival feature on the switch.
Step 4	errdisable recovery interval <i>interval</i> Example: Switch(config)# errdisable recovery interval 60	(Optional) Specifies the time to recover from the specified error-disabled state.
Step 5	errdisable recovery cause small-frame Example: Switch(config)# errdisable recovery cause	(Optional) Configures the recovery time for error-disabled ports to be automatically re-enabled after they are error disabled by the arrival of small frames

	Command or Action	Purpose
	<code>small-frame</code>	Storm control is supported on physical interfaces. You can also configure storm control on an EtherChannel. When storm control is configured on an EtherChannel, the storm control settings propagate to the EtherChannel physical interfaces.
Step 6	interface <i>interface-id</i> Example: Switch(config)# interface gigabitethernet1/0/2	Enters interface configuration mode, and specify the interface to be configured.
Step 7	small-frame violation-rate <i>pps</i> Example: Switch(config-if)# small-frame violation rate 10000	Configures the threshold rate for the interface to drop incoming packets and error disable the port. The range is 1 to 10,000 packets per second (pps)
Step 8	end Example: Switch(config)# end	Returns to privileged EXEC mode.
Step 9	show interfaces <i>interface-id</i> Example: Switch# show interfaces gigabitethernet1/0/2	Verifies the configuration.
Step 10	show running-config Example: Switch# show running-config	Verifies your entries.
Step 11	copy running-config startup-config Example: Switch# copy running-config startup-config	(Optional) Saves your entries in the configuration file.

Information About Protected Ports

Protected Ports

Some applications require that no traffic be forwarded at Layer 2 between ports on the same switch so that one neighbor does not see the traffic generated by another neighbor. In such an environment, the use of protected ports ensures that there is no exchange of unicast, broadcast, or multicast traffic between these ports on the switch.

Protected ports have these features:

- A protected port does not forward any traffic (unicast, multicast, or broadcast) to any other port that is also a protected port. Data traffic cannot be forwarded between protected ports at Layer 2; only control traffic, such as PIM packets, is forwarded because these packets are processed by the CPU and forwarded in software. All data traffic passing between protected ports must be forwarded through a Layer 3 device.
- Forwarding behavior between a protected port and a nonprotected port proceeds as usual.

Because a switch stack represents a single logical switch, Layer 2 traffic is not forwarded between any protected ports in the switch stack, whether they are on the same or different switches in the stack.

Default Protected Port Configuration

The default is to have no protected ports defined.

Protected Ports Guidelines

You can configure protected ports on a physical interface (for example, Gigabit Ethernet port 1) or an EtherChannel group (for example, port-channel 5). When you enable protected ports for a port channel, it is enabled for all ports in the port-channel group.

How to Configure Protected Ports

Configuring a Protected Port

Before You Begin

Protected ports are not pre-defined. This is the task to configure one.

SUMMARY STEPS

1. **enable**
2. **configure terminal**
3. **interface *interface-id***
4. **switchport protected**
5. **end**
6. **show interfaces *interface-id* switchport**
7. **show running-config**
8. **copy running-config startup-config**

DETAILED STEPS

	Command or Action	Purpose
Step 1	enable Example: Switch> enable	Enables privileged EXEC mode. Enter your password if prompted.
Step 2	configure terminal Example: Switch# configure terminal	Enters the global configuration mode.
Step 3	interface <i>interface-id</i> Example: Switch(config)# interface gigabitethernet1/0/1	Specifies the interface to be configured, and enter interface configuration mode.
Step 4	switchport protected Example: Switch(config-if)# switchport protected	Configures the interface to be a protected port.
Step 5	end Example: Switch(config)# end	Returns to privileged EXEC mode.

	Command or Action	Purpose
Step 6	show interfaces <i>interface-id</i> switchport Example: <pre>Switch# show interfaces gigabitethernet1/0/1 switchport</pre>	Verifies your entries.
Step 7	show running-config Example: <pre>Switch# show running-config</pre>	Verifies your entries.
Step 8	copy running-config startup-config Example: <pre>Switch# copy running-config startup-config</pre>	(Optional) Saves your entries in the configuration file.

Monitoring Protected Ports

Table 33: Commands for Displaying Protected Port Settings

Command	Purpose
show interfaces [<i>interface-id</i>] switchport	Displays the administrative and operational status of all switching (nonrouting) ports or the specified port, including port blocking and port protection settings.

Where to Go Next

.

Information About Port Blocking

Port Blocking

By default, the switch floods packets with unknown destination MAC addresses out of all ports. If unknown unicast and multicast traffic is forwarded to a protected port, there could be security issues. To prevent unknown unicast or multicast traffic from being forwarded from one port to another, you can block a port (protected or nonprotected) from flooding unknown unicast or multicast packets to other ports.

**Note**

With multicast traffic, the port blocking feature blocks only pure Layer 2 packets. Multicast packets that contain IPv4 or IPv6 information in the header are not blocked.

How to Configure Port Blocking

Blocking Flooded Traffic on an Interface

Before You Begin

The interface can be a physical interface or an EtherChannel group. When you block multicast or unicast traffic for a port channel, it is blocked on all ports in the port-channel group.

SUMMARY STEPS

1. **enable**
2. **configure terminal**
3. **interface** *interface-id*
4. **switchport block multicast**
5. **switchport block unicast**
6. **end**
7. **show interfaces** *interface-id* **switchport**
8. **show running-config**
9. **copy running-config startup-config**

DETAILED STEPS

	Command or Action	Purpose
Step 1	enable Example: Switch> enable	Enables privileged EXEC mode. Enter your password if prompted.
Step 2	configure terminal Example: Switch# configure terminal	Enters the global configuration mode.
Step 3	interface <i>interface-id</i> Example: Switch(config)# interface gigabitethernet1/0/1	Specifies the interface to be configured, and enter interface configuration mode.
Step 4	switchport block multicast Example: Switch(config-if)# switchport block multicast	Blocks unknown multicast forwarding out of the port. Note Only pure Layer 2 multicast traffic is blocked. Multicast packets that contain IPv4 or IPv6 information in the header are not blocked.
Step 5	switchport block unicast Example: Switch(config-if)# switchport block unicast	Blocks unknown unicast forwarding out of the port.
Step 6	end Example: Switch(config)# end	Returns to privileged EXEC mode.
Step 7	show interfaces <i>interface-id</i> switchport Example: Switch# show interfaces gigabitethernet1/0/1 switchport	Verifies your entries.

	Command or Action	Purpose
Step 8	show running-config Example: Switch# <code>show running-config</code>	Verifies your entries.
Step 9	copy running-config startup-config Example: Switch# <code>copy running-config startup-config</code>	(Optional) Saves your entries in the configuration file.

Monitoring Port Blocking

Table 34: Commands for Displaying Port Blocking Settings

Command	Purpose
<code>show interfaces [interface-id] switchport</code>	Displays the administrative and operational status of all switching (nonrouting) ports or the specified port, including port blocking and port protection settings.

Prerequisites for Port Security



Note If you try to set the maximum value to a number less than the number of secure addresses already configured on an interface, the command is rejected.

Restrictions for Port Security

The maximum number of secure MAC addresses that you can configure on a switch or switch stack is set by the maximum number of available MAC addresses allowed in the system. This number is determined by the active Switch Database Management (SDM) template. This number is the total of available MAC addresses, including those used for other Layer 2 functions and any other secure MAC addresses configured on interfaces.

Information About Port Security

Port Security

You can use the port security feature to restrict input to an interface by limiting and identifying MAC addresses of the stations allowed to access the port. When you assign secure MAC addresses to a secure port, the port does not forward packets with source addresses outside the group of defined addresses. If you limit the number of secure MAC addresses to one and assign a single secure MAC address, the workstation attached to that port is assured the full bandwidth of the port.

If a port is configured as a secure port and the maximum number of secure MAC addresses is reached, when the MAC address of a station attempting to access the port is different from any of the identified secure MAC addresses, a security violation occurs. Also, if a station with a secure MAC address configured or learned on one secure port attempts to access another secure port, a violation is flagged.

Related Topics

[Enabling and Configuring Port Security, on page 416](#)

[Configuration Examples for Port Security, on page 434](#)

Types of Secure MAC Addresses

The switch supports these types of secure MAC addresses:

- Static secure MAC addresses—These are manually configured by using the **switchport port-security mac-address mac-address** interface configuration command, stored in the address table, and added to the switch running configuration.
- Dynamic secure MAC addresses—These are dynamically configured, stored only in the address table, and removed when the switch restarts.
- Sticky secure MAC addresses—These can be dynamically learned or manually configured, stored in the address table, and added to the running configuration. If these addresses are saved in the configuration file, when the switch restarts, the interface does not need to dynamically reconfigure them.

Sticky Secure MAC Addresses

You can configure an interface to convert the dynamic MAC addresses to sticky secure MAC addresses and to add them to the running configuration by enabling sticky learning. The interface converts all the dynamic secure MAC addresses, including those that were dynamically learned before sticky learning was enabled, to sticky secure MAC addresses. All sticky secure MAC addresses are added to the running configuration.

The sticky secure MAC addresses do not automatically become part of the configuration file, which is the startup configuration used each time the switch restarts. If you save the sticky secure MAC addresses in the configuration file, when the switch restarts, the interface does not need to relearn these addresses. If you do not save the sticky secure addresses, they are lost.

If sticky learning is disabled, the sticky secure MAC addresses are converted to dynamic secure addresses and are removed from the running configuration.

Security Violations

It is a security violation when one of these situations occurs:

- The maximum number of secure MAC addresses have been added to the address table, and a station whose MAC address is not in the address table attempts to access the interface.
- An address learned or configured on one secure interface is seen on another secure interface in the same VLAN.

You can configure the interface for one of three violation modes, based on the action to be taken if a violation occurs:

- **protect**—when the number of secure MAC addresses reaches the maximum limit allowed on the port, packets with unknown source addresses are dropped until you remove a sufficient number of secure MAC addresses to drop below the maximum value or increase the number of maximum allowable addresses. You are not notified that a security violation has occurred.



Note We do not recommend configuring the protect violation mode on a trunk port. The protect mode disables learning when any VLAN reaches its maximum limit, even if the port has not reached its maximum limit.

- **restrict**—when the number of secure MAC addresses reaches the maximum limit allowed on the port, packets with unknown source addresses are dropped until you remove a sufficient number of secure MAC addresses to drop below the maximum value or increase the number of maximum allowable addresses. In this mode, you are notified that a security violation has occurred. An SNMP trap is sent, a syslog message is logged, and the violation counter increments.
- **shutdown**—a port security violation causes the interface to become error-disabled and to shut down immediately, and the port LED turns off. When a secure port is in the error-disabled state, you can bring it out of this state by entering the **errdisable recovery cause psecure-violation** global configuration command, or you can manually re-enable it by entering the **shutdown** and **no shut down** interface configuration commands. This is the default mode.
- **shutdown vlan**—Use to set the security violation mode per-VLAN. In this mode, the VLAN is error disabled instead of the entire port when a violation occurs

This table shows the violation mode and the actions taken when you configure an interface for port security.

Table 35: Security Violation Mode Actions

Violation Mode	Traffic is forwarded 12	Sends SNMP trap	Sends syslog message	Displays error message 13	Violation counter increments	Shuts down port
protect	No	No	No	No	No	No
restrict	No	Yes	Yes	No	Yes	No

Violation Mode	Traffic is forwarded 12	Sends SNMP trap	Sends syslog message	Displays error message 13	Violation counter increments	Shuts down port
shutdown	No	No	No	No	Yes	Yes
shutdown vlan	No	No	Yes	No	Yes	No 14

¹² Packets with unknown source addresses are dropped until you remove a sufficient number of secure MAC addresses.

¹³ The switch returns an error message if you manually configure an address that would cause a security violation.

¹⁴ Shuts down only the VLAN on which the violation occurred.

Port Security Aging

You can use port security aging to set the aging time for all secure addresses on a port. Two types of aging are supported per port:

- Absolute—The secure addresses on the port are deleted after the specified aging time.
- Inactivity—The secure addresses on the port are deleted only if the secure addresses are inactive for the specified aging time.

Related Topics

[Enabling and Configuring Port Security Aging](#), on page 420

Port Security and Switch Stacks

When a switch joins a stack, the new switch will get the configured secure addresses. All dynamic secure addresses are downloaded by the new stack member from the other stack members.

When a switch (either the active switch or a stack member) leaves the stack, the remaining stack members are notified, and the secure MAC addresses configured or learned by that switch are deleted from the secure MAC address table.

Default Port Security Configuration

Table 36: Default Port Security Configuration

Feature	Default Setting
Port security	Disabled on a port.
Sticky address learning	Disabled.

Feature	Default Setting
Maximum number of secure MAC addresses per port	1.
Violation mode	Shutdown. The port shuts down when the maximum number of secure MAC addresses is exceeded.
Port security aging	Disabled. Aging time is 0. Static aging is disabled. Type is absolute.

Port Security Configuration Guidelines

- Port security can only be configured on static access ports or trunk ports. A secure port cannot be a dynamic access port.
- A secure port cannot be a destination port for Switched Port Analyzer (SPAN).



Note Voice VLAN is only supported on access ports and not on trunk ports, even though the configuration is allowed.

- When you enable port security on an interface that is also configured with a voice VLAN, set the maximum allowed secure addresses on the port to two. When the port is connected to a Cisco IP phone, the IP phone requires one MAC address. The Cisco IP phone address is learned on the voice VLAN, but is not learned on the access VLAN. If you connect a single PC to the Cisco IP phone, no additional MAC addresses are required. If you connect more than one PC to the Cisco IP phone, you must configure enough secure addresses to allow one for each PC and one for the phone.
- When a trunk port configured with port security and assigned to an access VLAN for data traffic and to a voice VLAN for voice traffic, entering the **switchport voice** and **switchport priority extend** interface configuration commands has no effect.
When a connected device uses the same MAC address to request an IP address for the access VLAN and then an IP address for the voice VLAN, only the access VLAN is assigned an IP address.
- When you enter a maximum secure address value for an interface, and the new value is greater than the previous value, the new value overwrites the previously configured value. If the new value is less than the previous value and the number of configured secure addresses on the interface exceeds the new value, the command is rejected.
- The switch does not support port security aging of sticky secure MAC addresses.

This table summarizes port security compatibility with other port-based features.

Table 37: Port Security Compatibility with Other Switch Features

Type of Port or Feature on Port	Compatible with Port Security
DTP ¹⁵ port ¹⁶	No
Trunk port	Yes
Dynamic-access port ¹⁷	No
Routed port	No
SPAN source port	Yes
SPAN destination port	No
EtherChannel	Yes
Tunneling port	Yes
Protected port	Yes
IEEE 802.1x port	Yes
Voice VLAN port ¹⁸	Yes
IP source guard	Yes
Dynamic Address Resolution Protocol (ARP) inspection	Yes
Flex Links	Yes

¹⁵ DTP=Dynamic Trunking Protocol

¹⁶ A port configured with the **switchport mode dynamic** interface configuration command.

¹⁷ A VLAN Query Protocol (VQP) port configured with the **switchport access vlan dynamic** interface configuration command.

¹⁸ You must set the maximum allowed secure addresses on the port to two plus the maximum number of secure addresses allowed on the access VLAN.

Overview of Port-Based Traffic Control

Port-based traffic control is a set of Layer 2 features on the Cisco Catalyst switches used to filter or block packets at the port level in response to specific traffic conditions. The following port-based traffic control features are supported in the Cisco IOS Release for which this guide is written:

- Storm Control
- Protected Ports
- Port Blocking
- Port Security

- Protocol Storm Protection

How to Configure Port Security

Enabling and Configuring Port Security

Before You Begin

This task restricts input to an interface by limiting and identifying MAC addresses of the stations allowed to access the port:

SUMMARY STEPS

1. `enable`
2. `configure terminal`
3. `interface interface-id`
4. `switchport mode {access | trunk}`
5. `switchport voice vlan vlan-id`
6. `switchport port-security`
7. `switchport port-security [maximum value [vlan {vlan-list | {access | voice}}]]`
8. `switchport port-security violation {protect | restrict | shutdown | shutdown vlan}`
9. `switchport port-security [mac-address mac-address [vlan {vlan-id | {access | voice}}]]`
10. `switchport port-security mac-address sticky`
11. `switchport port-security mac-address sticky [mac-address | vlan {vlan-id | {access | voice}}]`
12. `end`
13. `show port-security`
14. `show running-config`
15. `copy running-config startup-config`

DETAILED STEPS

	Command or Action	Purpose
Step 1	<p><code>enable</code></p> <p>Example:</p> <pre>Switch> enable</pre>	Enables privileged EXEC mode. Enter your password if prompted.

	Command or Action	Purpose
Step 2	configure terminal Example: Switch# configure terminal	Enters the global configuration mode.
Step 3	interface <i>interface-id</i> Example: Switch(config)# interface gigabitethernet1/0/1	Specifies the interface to be configured, and enter interface configuration mode.
Step 4	switchport mode {access trunk} Example: Switch(config-if)# switchport mode access	Sets the interface switchport mode as access or trunk; an interface in the default mode (dynamic auto) cannot be configured as a secure port.
Step 5	switchport voice vlan <i>vlan-id</i> Example: Switch(config-if)# switchport voice vlan 22	Enables voice VLAN on a port. <i>vlan-id</i> —Specifies the VLAN to be used for voice traffic.
Step 6	switchport port-security Example: Switch(config-if)# switchport port-security	Enable port security on the interface. Note Under certain conditions, when port security is enabled on the member ports in a switch stack, the DHCP and ARP packets would be dropped. To resolve this, configure a shut and no shut on the interface.
Step 7	switchport port-security [maximum value [vlan {<i>vlan-list</i> {access voice}}]] Example: Switch(config-if)# switchport port-security maximum 20	(Optional) Sets the maximum number of secure MAC addresses for the interface. The maximum number of secure MAC addresses that you can configure on a switch or switch stack is set by the maximum number of available MAC addresses allowed in the system. This number is set by the active Switch Database Management (SDM) template. This number is the total of available MAC addresses, including those used for other Layer 2 functions and any other secure MAC addresses configured on interfaces. (Optional) vlan —sets a per-VLAN maximum value Enter one of these options after you enter the vlan keyword: <ul style="list-style-type: none"> • <i>vlan-list</i>—On a trunk port, you can set a per-VLAN maximum value on a range of VLANs separated by a hyphen or a series of VLANs separated by commas. For nonspecified VLANs, the per-VLAN maximum value is used. • access—On an access port, specifies the VLAN as an access VLAN. • voice—On an access port, specifies the VLAN as a voice VLAN.

	Command or Action	Purpose
		<p>Note The voice keyword is available only if a voice VLAN is configured on a port and if that port is not the access VLAN. If an interface is configured for voice VLAN, configure a maximum of two secure MAC addresses.</p>
<p>Step 8</p>	<p>switchport port-security violation {protect restrict shutdown shutdown vlan}</p> <p>Example:</p> <pre>Switch(config-if)# switchport port-security violation restrict</pre>	<p>(Optional) Sets the violation mode, the action to be taken when a security violation is detected, as one of these:</p> <ul style="list-style-type: none"> • protect—When the number of port secure MAC addresses reaches the maximum limit allowed on the port, packets with unknown source addresses are dropped until you remove a sufficient number of secure MAC addresses to drop below the maximum value or increase the number of maximum allowable addresses. You are not notified that a security violation has occurred. <p>Note We do not recommend configuring the protect mode on a trunk port. The protect mode disables learning when any VLAN reaches its maximum limit, even if the port has not reached its maximum limit.</p> <ul style="list-style-type: none"> • restrict—When the number of secure MAC addresses reaches the limit allowed on the port, packets with unknown source addresses are dropped until you remove a sufficient number of secure MAC addresses or increase the number of maximum allowable addresses. An SNMP trap is sent, a syslog message is logged, and the violation counter increments. • shutdown—The interface is error-disabled when a violation occurs, and the port LED turns off. An SNMP trap is sent, a syslog message is logged, and the violation counter increments. • shutdown vlan—Use to set the security violation mode per VLAN. In this mode, the VLAN is error disabled instead of the entire port when a violation occurs. <p>Note When a secure port is in the error-disabled state, you can bring it out of this state by entering the errdisable recovery cause psecure-violation global configuration command. You can manually re-enable it by entering the shutdown and no shutdown interface configuration commands or by using the clear errdisable interface vlan privileged EXEC command.</p>
<p>Step 9</p>	<p>switchport port-security [mac-address mac-address [vlan {vlan-id {access voice}}]]</p> <p>Example:</p> <pre>Switch(config-if)# switchport port-security mac-address 00:A0:C7:12:C9:25 vlan 3 voice</pre>	<p>(Optional) Enters a secure MAC address for the interface. You can use this command to enter the maximum number of secure MAC addresses. If you configure fewer secure MAC addresses than the maximum, the remaining MAC addresses are dynamically learned.</p> <p>Note If you enable sticky learning after you enter this command, the secure addresses that were dynamically learned are converted to sticky secure MAC addresses and are added to the running configuration.</p> <p>(Optional) vlan—sets a per-VLAN maximum value.</p> <p>Enter one of these options after you enter the vlan keyword:</p>

	Command or Action	Purpose
		<ul style="list-style-type: none"> • <i>vlan-id</i>—On a trunk port, you can specify the VLAN ID and the MAC address. If you do not specify a VLAN ID, the native VLAN is used. • access—On an access port, specifies the VLAN as an access VLAN. • voice—On an access port, specifies the VLAN as a voice VLAN. <p>Note The voice keyword is available only if a voice VLAN is configured on a port and if that port is not the access VLAN. If an interface is configured for voice VLAN, configure a maximum of two secure MAC addresses.</p>
Step 10	switchport port-security mac-address sticky Example: <pre>Switch(config-if)# switchport port-security mac-address sticky</pre>	(Optional) Enables sticky learning on the interface.
Step 11	switchport port-security mac-address sticky [mac-address vlan {vlan-id {access voice}}] Example: <pre>Switch(config-if)# switchport port-security mac-address sticky 00:A0:C7:12:C9:25 vlan voice</pre>	(Optional) Enters a sticky secure MAC address, repeating the command as many times as necessary. If you configure fewer secure MAC addresses than the maximum, the remaining MAC addresses are dynamically learned, are converted to sticky secure MAC addresses, and are added to the running configuration. <p>Note If you do not enable sticky learning before this command is entered, an error message appears, and you cannot enter a sticky secure MAC address.</p> (Optional) vlan —sets a per-VLAN maximum value. Enter one of these options after you enter the vlan keyword: <ul style="list-style-type: none"> • <i>vlan-id</i>—On a trunk port, you can specify the VLAN ID and the MAC address. If you do not specify a VLAN ID, the native VLAN is used. • access—On an access port, specifies the VLAN as an access VLAN. • voice—On an access port, specifies the VLAN as a voice VLAN. <p>Note The voice keyword is available only if a voice VLAN is configured on a port and if that port is not the access VLAN.</p>
Step 12	end Example: <pre>Switch(config)# end</pre>	Returns to privileged EXEC mode.
Step 13	show port-security Example: <pre>Switch# show port-security</pre>	Verifies your entries.

	Command or Action	Purpose
Step 14	show running-config Example: Switch# show running-config	Verifies your entries.
Step 15	copy running-config startup-config Example: Switch# copy running-config startup-config	(Optional) Saves your entries in the configuration file.

Related Topics

[Port Security, on page 376](#)

[Port Security, on page 411](#)

[Configuration Examples for Port Security, on page 434](#)

Enabling and Configuring Port Security Aging

Use this feature to remove and add devices on a secure port without manually deleting the existing secure MAC addresses and to still limit the number of secure addresses on a port. You can enable or disable the aging of secure addresses on a per-port basis.

SUMMARY STEPS

1. **enable**
2. **configure terminal**
3. **interface *interface-id***
4. **switchport port-security aging {static | time *time* | type {absolute | inactivity}}**
5. **end**
6. **show port-security [interface *interface-id*] [address]**
7. **show running-config**
8. **copy running-config startup-config**

DETAILED STEPS

	Command or Action	Purpose
Step 1	enable	Enables privileged EXEC mode. Enter your password if prompted.

	Command or Action	Purpose
	<p>Example:</p> <pre>Switch> enable</pre>	
Step 2	<p>configure terminal</p> <p>Example:</p> <pre>Switch# configure terminal</pre>	Enters the global configuration mode.
Step 3	<p>interface <i>interface-id</i></p> <p>Example:</p> <pre>Switch(config)# interface gigabitethernet1/0/1</pre>	Specifies the interface to be configured, and enter interface configuration mode.
Step 4	<p>switchport port-security aging {static time <i>time</i> type {absolute inactivity}}</p> <p>Example:</p> <pre>Switch(config-if)# switchport port-security aging time 120</pre>	<p>Enables or disable static aging for the secure port, or set the aging time or type.</p> <p>Note The switch does not support port security aging of sticky secure addresses.</p> <p>Enter static to enable aging for statically configured secure addresses on this port.</p> <p>For <i>time</i>, specifies the aging time for this port. The valid range is from 0 to 1440 minutes.</p> <p>For type, select one of these keywords:</p> <ul style="list-style-type: none"> • absolute—Sets the aging type as absolute aging. All the secure addresses on this port age out exactly after the time (minutes) specified lapses and are removed from the secure address list. • inactivity—Sets the aging type as inactivity aging. The secure addresses on this port age out only if there is no data traffic from the secure source addresses for the specified time period.
Step 5	<p>end</p> <p>Example:</p> <pre>Switch(config)# end</pre>	Returns to privileged EXEC mode.
Step 6	<p>show port-security [interface <i>interface-id</i>] [address]</p> <p>Example:</p> <pre>Switch# show port-security interface gigabitethernet1/0/1</pre>	Verifies your entries.

	Command or Action	Purpose
Step 7	show running-config Example: Switch# <code>show running-config</code>	Verifies your entries.
Step 8	copy running-config startup-config Example: Switch# <code>copy running-config startup-config</code>	(Optional) Saves your entries in the configuration file.

Related Topics

[Port Security Aging](#), on page 413

Finding Feature Information

Your software release may not support all the features documented in this module. For the latest caveats and feature information, see Bug Search Tool and the release notes for your platform and software release. To find information about the features documented in this module, and to see a list of the releases in which each feature is supported, see the feature information table at the end of this module.

Use Cisco Feature Navigator to find information about platform support and Cisco software image support. To access Cisco Feature Navigator, go to <http://www.cisco.com/go/cfn>. An account on Cisco.com is not required.

Information About Storm Control

Storm Control

Storm control prevents traffic on a LAN from being disrupted by a broadcast, multicast, or unicast storm on one of the physical interfaces. A LAN storm occurs when packets flood the LAN, creating excessive traffic and degrading network performance. Errors in the protocol-stack implementation, mistakes in network configurations, or users issuing a denial-of-service attack can cause a storm.

Storm control (or traffic suppression) monitors packets passing from an interface to the switching bus and determines if the packet is unicast, multicast, or broadcast. The switch counts the number of packets of a specified type received within the 1-second time interval and compares the measurement with a predefined suppression-level threshold.

How Traffic Activity is Measured

Storm control uses one of these methods to measure traffic activity:

- Bandwidth as a percentage of the total available bandwidth of the port that can be used by the broadcast, multicast, or unicast traffic
- Traffic rate in packets per second at which broadcast, multicast, or unicast packets are received
- Traffic rate in bits per second at which broadcast, multicast, or unicast packets are received
- Traffic rate in packets per second and for small frames. This feature is enabled globally. The threshold for small frames is configured for each interface.

With each method, the port blocks traffic when the rising threshold is reached. The port remains blocked until the traffic rate drops below the falling threshold (if one is specified) and then resumes normal forwarding. If the falling suppression level is not specified, the switch blocks all traffic until the traffic rate drops below the rising suppression level. In general, the higher the level, the less effective the protection against broadcast storms.



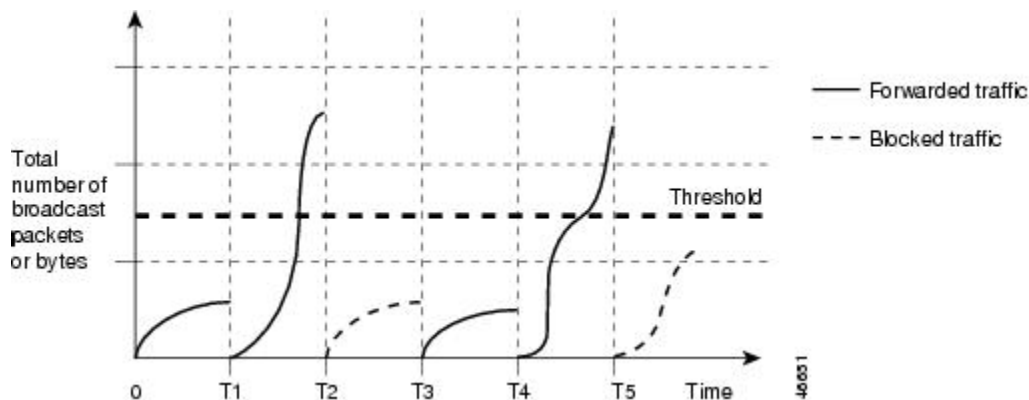
Note

When the storm control threshold for multicast traffic is reached, all multicast traffic except control traffic, such as bridge protocol data unit (BDPU) and Cisco Discovery Protocol (CDP) frames, are blocked. However, the switch does not differentiate between routing updates, such as OSPF, and regular multicast data traffic, so both types of traffic are blocked.

Traffic Patterns

This example shows broadcast traffic patterns on an interface over a given period of time.

Figure 29: Broadcast Storm Control Example



Broadcast traffic being forwarded exceeded the configured threshold between time intervals T1 and T2 and between T4 and T5. When the amount of specified traffic exceeds the threshold, all traffic of that kind is dropped for the next time period. Therefore, broadcast traffic is blocked during the intervals following T2 and T5. At the next time interval (for example, T3), if broadcast traffic does not exceed the threshold, it is again forwarded.

The combination of the storm-control suppression level and the 1-second time interval controls the way the storm control algorithm works. A higher threshold allows more packets to pass through. A threshold value of 100 percent means that no limit is placed on the traffic. A value of 0.0 means that all broadcast, multicast, or unicast traffic on that port is blocked.



Note Because packets do not arrive at uniform intervals, the 1-second time interval during which traffic activity is measured can affect the behavior of storm control.

You use the **storm-control** interface configuration commands to set the threshold value for each traffic type.

How to Configure Storm Control

Configuring Storm Control and Threshold Levels

You configure storm control on a port and enter the threshold level that you want to be used for a particular type of traffic.

However, because of hardware limitations and the way in which packets of different sizes are counted, threshold percentages are approximations. Depending on the sizes of the packets making up the incoming traffic, the actual enforced threshold might differ from the configured level by several percentage points.



Note Storm control is supported on physical interfaces. You can also configure storm control on an EtherChannel. When storm control is configured on an EtherChannel, the storm control settings propagate to the EtherChannel physical interfaces.

Follow these steps to storm control and threshold levels:

Before You Begin

Storm control is supported on physical interfaces. You can also configure storm control on an EtherChannel. When storm control is configured on an EtherChannel, the storm control settings propagate to the EtherChannel physical interfaces.

SUMMARY STEPS

1. **enable**
2. **configure terminal**
3. **interface** *interface-id*
4. **storm-control** {**broadcast** | **multicast** | **unicast**} **level** {*level* [*level-low*] | **bps** *bps* [*bps-low*] | **pps** *pps* [*pps-low*]}
5. **storm-control action** {**shutdown** | **trap**}
6. **end**
7. **show storm-control** [*interface-id*] [**broadcast** | **multicast** | **unicast**]
8. **copy running-config startup-config**

DETAILED STEPS

	Command or Action	Purpose
Step 1	enable Example: Switch> enable	Enables privileged EXEC mode. Enter your password if prompted.
Step 2	configure terminal Example: Switch# configure terminal	Enters the global configuration mode.
Step 3	interface <i>interface-id</i> Example: Switch(config)# interface gigabitethernet1/0/1	Specifies the interface to be configured, and enter interface configuration mode.
Step 4	storm-control {broadcast multicast unicast} level {level [level-low] bps bps [bps-low] pps pps [pps-low]} Example: Switch(config-if)# storm-control unicast level 87 65	<p>Configures broadcast, multicast, or unicast storm control. By default, storm control is disabled.</p> <p>The keywords have these meanings:</p> <ul style="list-style-type: none"> • For <i>level</i>, specifies the rising threshold level for broadcast, multicast, or unicast traffic as a percentage (up to two decimal places) of the bandwidth. The port blocks traffic when the rising threshold is reached. The range is 0.00 to 100.00. • (Optional) For <i>level-low</i>, specifies the falling threshold level as a percentage (up to two decimal places) of the bandwidth. This value must be less than or equal to the rising suppression value. The port forwards traffic when traffic drops below this level. If you do not configure a falling suppression level, it is set to the rising suppression level. The range is 0.00 to 100.00. <p>If you set the threshold to the maximum value (100 percent), no limit is placed on the traffic. If you set the threshold to 0.0, all broadcast, multicast, and unicast traffic on that port is blocked.</p> <ul style="list-style-type: none"> • For bps bps, specifies the rising threshold level for broadcast, multicast, or unicast traffic in bits per second (up to one decimal place). The port blocks traffic when the rising threshold is reached. The range is 0.0 to 10000000000.0. • (Optional) For <i>bps-low</i>, specifies the falling threshold level in bits per second (up to one decimal place). It can be less than or equal to the rising threshold level. The port forwards traffic when traffic drops below this level. The range is 0.0 to 10000000000.0. • For pps pps, specifies the rising threshold level for broadcast, multicast, or unicast traffic in packets per second (up to one decimal place). The port

	Command or Action	Purpose
		<p>blocks traffic when the rising threshold is reached. The range is 0.0 to 10000000000.0.</p> <ul style="list-style-type: none"> (Optional) For <i>pps-low</i>, specifies the falling threshold level in packets per second (up to one decimal place). It can be less than or equal to the rising threshold level. The port forwards traffic when traffic drops below this level. The range is 0.0 to 10000000000.0. <p>For BPS and PPS settings, you can use metric suffixes such as k, m, and g for large number thresholds.</p>
Step 5	<p>storm-control action {shutdown trap}</p> <p>Example:</p> <pre>Switch(config-if)# storm-control action trap</pre>	<p>Specifies the action to be taken when a storm is detected. The default is to filter out the traffic and not to send traps.</p> <ul style="list-style-type: none"> Select the shutdown keyword to error-disable the port during a storm. Select the trap keyword to generate an SNMP trap when a storm is detected.
Step 6	<p>end</p> <p>Example:</p> <pre>Switch(config-if)# end</pre>	<p>Returns to privileged EXEC mode.</p>
Step 7	<p>show storm-control [interface-id] [broadcast multicast unicast]</p> <p>Example:</p> <pre>Switch# show storm-control gigabitethernet1/0/1 unicast</pre>	<p>Verifies the storm control suppression levels set on the interface for the specified traffic type. If you do not enter a traffic type, details for all traffic types (broadcast, multicast and unicast) are displayed.</p>
Step 8	<p>copy running-config startup-config</p> <p>Example:</p> <pre>Switch# copy running-config startup-config</pre>	<p>(Optional) Saves your entries in the configuration file.</p>

Configuring Small-Frame Arrival Rate

Incoming VLAN-tagged packets smaller than 67 bytes are considered small frames. They are forwarded by the switch, but they do not cause the switch storm-control counters to increment.

You globally enable the small-frame arrival feature on the switch and then configure the small-frame threshold for packets on each interface. Packets smaller than the minimum size and arriving at a specified rate (the threshold) are dropped since the port is error disabled.

SUMMARY STEPS

1. **enable**
2. **configure terminal**
3. **errdisable detect cause small-frame**
4. **errdisable recovery interval *interval***
5. **errdisable recovery cause small-frame**
6. **interface *interface-id***
7. **small-frame violation-rate *pps***
8. **end**
9. **show interfaces *interface-id***
10. **show running-config**
11. **copy running-config startup-config**

DETAILED STEPS

	Command or Action	Purpose
Step 1	enable Example: Switch> enable	Enables privileged EXEC mode. Enter your password if prompted.
Step 2	configure terminal Example: Switch# configure terminal	Enters the global configuration mode.
Step 3	errdisable detect cause small-frame Example: Switch(config)# errdisable detect cause small-frame	Enables the small-frame rate-arrival feature on the switch.
Step 4	errdisable recovery interval <i>interval</i> Example: Switch(config)# errdisable recovery interval 60	(Optional) Specifies the time to recover from the specified error-disabled state.
Step 5	errdisable recovery cause small-frame Example: Switch(config)# errdisable recovery cause	(Optional) Configures the recovery time for error-disabled ports to be automatically re-enabled after they are error disabled by the arrival of small frames

	Command or Action	Purpose
	<code>small-frame</code>	Storm control is supported on physical interfaces. You can also configure storm control on an EtherChannel. When storm control is configured on an EtherChannel, the storm control settings propagate to the EtherChannel physical interfaces.
Step 6	interface <i>interface-id</i> Example: Switch(config)# interface gigabitethernet1/0/2	Enters interface configuration mode, and specify the interface to be configured.
Step 7	small-frame violation-rate <i>pps</i> Example: Switch(config-if)# small-frame violation rate 10000	Configures the threshold rate for the interface to drop incoming packets and error disable the port. The range is 1 to 10,000 packets per second (pps)
Step 8	end Example: Switch(config)# end	Returns to privileged EXEC mode.
Step 9	show interfaces <i>interface-id</i> Example: Switch# show interfaces gigabitethernet1/0/2	Verifies the configuration.
Step 10	show running-config Example: Switch# show running-config	Verifies your entries.
Step 11	copy running-config startup-config Example: Switch# copy running-config startup-config	(Optional) Saves your entries in the configuration file.

Information About Protected Ports

Protected Ports

Some applications require that no traffic be forwarded at Layer 2 between ports on the same switch so that one neighbor does not see the traffic generated by another neighbor. In such an environment, the use of protected ports ensures that there is no exchange of unicast, broadcast, or multicast traffic between these ports on the switch.

Protected ports have these features:

- A protected port does not forward any traffic (unicast, multicast, or broadcast) to any other port that is also a protected port. Data traffic cannot be forwarded between protected ports at Layer 2; only control traffic, such as PIM packets, is forwarded because these packets are processed by the CPU and forwarded in software. All data traffic passing between protected ports must be forwarded through a Layer 3 device.
- Forwarding behavior between a protected port and a nonprotected port proceeds as usual.

Because a switch stack represents a single logical switch, Layer 2 traffic is not forwarded between any protected ports in the switch stack, whether they are on the same or different switches in the stack.

Default Protected Port Configuration

The default is to have no protected ports defined.

Protected Ports Guidelines

You can configure protected ports on a physical interface (for example, Gigabit Ethernet port 1) or an EtherChannel group (for example, port-channel 5). When you enable protected ports for a port channel, it is enabled for all ports in the port-channel group.

How to Configure Protected Ports

Configuring a Protected Port

Before You Begin

Protected ports are not pre-defined. This is the task to configure one.

SUMMARY STEPS

1. **enable**
2. **configure terminal**
3. **interface *interface-id***
4. **switchport protected**
5. **end**
6. **show interfaces *interface-id* switchport**
7. **show running-config**
8. **copy running-config startup-config**

DETAILED STEPS

	Command or Action	Purpose
Step 1	enable Example: Switch> enable	Enables privileged EXEC mode. Enter your password if prompted.
Step 2	configure terminal Example: Switch# configure terminal	Enters the global configuration mode.
Step 3	interface <i>interface-id</i> Example: Switch(config)# interface gigabitethernet1/0/1	Specifies the interface to be configured, and enter interface configuration mode.
Step 4	switchport protected Example: Switch(config-if)# switchport protected	Configures the interface to be a protected port.
Step 5	end Example: Switch(config)# end	Returns to privileged EXEC mode.

	Command or Action	Purpose
Step 6	show interfaces <i>interface-id</i> switchport Example: <pre>Switch# show interfaces gigabitethernet1/0/1 switchport</pre>	Verifies your entries.
Step 7	show running-config Example: <pre>Switch# show running-config</pre>	Verifies your entries.
Step 8	copy running-config startup-config Example: <pre>Switch# copy running-config startup-config</pre>	(Optional) Saves your entries in the configuration file.

Monitoring Protected Ports

Table 38: Commands for Displaying Protected Port Settings

Command	Purpose
show interfaces [<i>interface-id</i>] switchport	Displays the administrative and operational status of all switching (nonrouting) ports or the specified port, including port blocking and port protection settings.

Where to Go Next

.

Information About Port Blocking

Port Blocking

By default, the switch floods packets with unknown destination MAC addresses out of all ports. If unknown unicast and multicast traffic is forwarded to a protected port, there could be security issues. To prevent unknown

unicast or multicast traffic from being forwarded from one port to another, you can block a port (protected or nonprotected) from flooding unknown unicast or multicast packets to other ports.

**Note**

With multicast traffic, the port blocking feature blocks only pure Layer 2 packets. Multicast packets that contain IPv4 or IPv6 information in the header are not blocked.

How to Configure Port Blocking

Blocking Flooded Traffic on an Interface

Before You Begin

The interface can be a physical interface or an EtherChannel group. When you block multicast or unicast traffic for a port channel, it is blocked on all ports in the port-channel group.

SUMMARY STEPS

1. **enable**
2. **configure terminal**
3. **interface *interface-id***
4. **switchport block multicast**
5. **switchport block unicast**
6. **end**
7. **show interfaces *interface-id* switchport**
8. **show running-config**
9. **copy running-config startup-config**

DETAILED STEPS

	Command or Action	Purpose
Step 1	enable Example: Switch> enable	Enables privileged EXEC mode. Enter your password if prompted.
Step 2	configure terminal Example: Switch# configure terminal	Enters the global configuration mode.

	Command or Action	Purpose
Step 3	interface <i>interface-id</i> Example: Switch(config)# interface gigabitethernet1/0/1	Specifies the interface to be configured, and enter interface configuration mode.
Step 4	switchport block multicast Example: Switch(config-if)# switchport block multicast	Blocks unknown multicast forwarding out of the port. Note Only pure Layer 2 multicast traffic is blocked. Multicast packets that contain IPv4 or IPv6 information in the header are not blocked.
Step 5	switchport block unicast Example: Switch(config-if)# switchport block unicast	Blocks unknown unicast forwarding out of the port.
Step 6	end Example: Switch(config)# end	Returns to privileged EXEC mode.
Step 7	show interfaces <i>interface-id</i> switchport Example: Switch# show interfaces gigabitethernet1/0/1 switchport	Verifies your entries.
Step 8	show running-config Example: Switch# show running-config	Verifies your entries.
Step 9	copy running-config startup-config Example: Switch# copy running-config startup-config	(Optional) Saves your entries in the configuration file.

Monitoring Port Blocking

Table 39: Commands for Displaying Port Blocking Settings

Command	Purpose
<code>show interfaces [interface-id] switchport</code>	Displays the administrative and operational status of all switching (nonrouting) ports or the specified port, including port blocking and port protection settings.

Configuration Examples for Port Security

This example shows how to enable port security on a port and to set the maximum number of secure addresses to 50. The violation mode is the default, no static secure MAC addresses are configured, and sticky learning is enabled.

```
Switch(config)# interface gigabitethernet1/0/1
Switch(config-if)# switchport mode access
Switch(config-if)# switchport port-security
Switch(config-if)# switchport port-security maximum 50
Switch(config-if)# switchport port-security mac-address sticky
```

This example shows how to configure a static secure MAC address on VLAN 3 on a port:

```
Switch(config)# interface gigabitethernet1/0/2
Switch(config-if)# switchport mode trunk
Switch(config-if)# switchport port-security
Switch(config-if)# switchport port-security mac-address 0000.0200.0004 vlan 3
```

This example shows how to enable sticky port security on a port, to manually configure MAC addresses for data VLAN and voice VLAN, and to set the total maximum number of secure addresses to 20 (10 for data VLAN and 10 for voice VLAN).

```
Switch(config)# interface tengigabitethernet1/0/1
Switch(config-if)# switchport access vlan 21
Switch(config-if)# switchport mode access
Switch(config-if)# switchport voice vlan 22
Switch(config-if)# switchport port-security
Switch(config-if)# switchport port-security maximum 20
Switch(config-if)# switchport port-security violation restrict
Switch(config-if)# switchport port-security mac-address sticky
Switch(config-if)# switchport port-security mac-address sticky 0000.0000.0002
Switch(config-if)# switchport port-security mac-address 0000.0000.0003
Switch(config-if)# switchport port-security mac-address sticky 0000.0000.0001 vlan voice
Switch(config-if)# switchport port-security mac-address 0000.0000.0004 vlan voice
Switch(config-if)# switchport port-security maximum 10 vlan access
Switch(config-if)# switchport port-security maximum 10 vlan voice
```

Related Topics

[Port Security, on page 411](#)

[Enabling and Configuring Port Security, on page 416](#)



CHAPTER 19

Configuring IPv6 First Hop Security

- [Finding Feature Information, page 435](#)
- [Prerequisites for First Hop Security in IPv6, page 435](#)
- [Restrictions for First Hop Security in IPv6, page 436](#)
- [Information about First Hop Security in IPv6, page 436](#)
- [How to Configure an IPv6 Snooping Policy, page 438](#)
- [How to Configure the IPv6 Binding Table Content , page 443](#)
- [How to Configure an IPv6 Neighbor Discovery Inspection Policy, page 444](#)
- [How to Configure an IPv6 Router Advertisement Guard Policy, page 450](#)
- [How to Configure an IPv6 DHCP Guard Policy , page 455](#)
- [Additional References, page 461](#)

Finding Feature Information

Your software release may not support all the features documented in this module. For the latest caveats and feature information, see Bug Search Tool and the release notes for your platform and software release. To find information about the features documented in this module, and to see a list of the releases in which each feature is supported, see the feature information table at the end of this module.

Use Cisco Feature Navigator to find information about platform support and Cisco software image support. To access Cisco Feature Navigator, go to <http://www.cisco.com/go/cfn>. An account on Cisco.com is not required.

Prerequisites for First Hop Security in IPv6

- You have configured the necessary IPv6 enabled SDM template.
- You should be familiar with the IPv6 neighbor discovery feature.

Restrictions for First Hop Security in IPv6

- The following restrictions apply when applying FHS policies to EtherChannel interfaces (Port Channels):
 - A physical port with an FHS policy attached cannot join an EtherChannel group.
 - An FHS policy cannot be attached to a physical port when it is a member of an EtherChannel group.
- By default, a snooping policy has a security-level of guard. When such a snooping policy is configured on an access switch, external IPv6 Router Advertisement (RA) or Dynamic Host Configuration Protocol for IPv6 (DHCPv6) server packets are blocked, even though the uplink port facing the router or DHCP server/relay is configured as a trusted port. To allow IPv6 RA or DHCPv6 server messages, do the following:
 - Apply an IPv6 RA-guard policy (for RA) or IPv6 DHCP-guard policy (for DHCP server messages) on the uplink port.
 - Configure a snooping policy with a lower security-level, for example glean or inspect. However, configuring a lower security level is not recommended with such a snooping policy, because benefits of First Hop security features are not effective.

Information about First Hop Security in IPv6

First Hop Security in IPv6 (FHS IPv6) is a set of IPv6 security features, the policies of which can be attached to a physical interface, or a VLAN. An IPv6 software policy database service stores and accesses these policies. When a policy is configured or modified, the attributes of the policy are stored or updated in the software policy database, then applied as was specified. The following IPv6 policies are currently supported:

- IPv6 Snooping Policy—IPv6 Snooping Policy acts as a container policy that enables most of the features available with FHS in IPv6.
- IPv6 FHS Binding Table Content—A database table of IPv6 neighbors connected to the switch is created from information sources such as Neighbor Discovery (ND) protocol snooping. This database, or binding table, is used by various IPv6 guard features (such as IPv6 ND Inspection) to validate the link-layer address (LLA), the IPv4 or IPv6 address, and prefix binding of the neighbors to prevent spoofing and redirect attacks.
- IPv6 Neighbor Discovery Inspection—IPv6 ND inspection learns and secures bindings for stateless autoconfiguration addresses in Layer 2 neighbor tables. IPv6 ND inspection analyzes neighbor discovery messages in order to build a trusted binding table database and IPv6 neighbor discovery messages that do not conform are dropped. An ND message is considered trustworthy if its IPv6-to-Media Access Control (MAC) mapping is verifiable. This feature mitigates some of the inherent vulnerabilities of the ND mechanism, such as attacks on DAD, address resolution, router discovery, and the neighbor cache.
- IPv6 Router Advertisement Guard—The IPv6 Router Advertisement (RA) guard feature enables the network administrator to block or reject unwanted or rogue RA guard messages that arrive at the network switch platform. RAs are used by routers to announce themselves on the link. The RA Guard feature analyzes the RAs and filters out bogus RAs sent by unauthorized routers. In host mode, all router advertisement and router redirect messages are disallowed on the port. The RA guard feature compares

configuration information on the Layer 2 device with the information found in the received RA frame. Once the Layer 2 device has validated the content of the RA frame and router redirect frame against the configuration, it forwards the RA to its unicast or multicast destination. If the RA frame content is not validated, the RA is dropped.

- IPv6 DHCP Guard—The IPv6 DHCP Guard feature blocks reply and advertisement messages that come from unauthorized DHCPv6 servers and relay agents. IPv6 DHCP guard can prevent forged messages from being entered in the binding table and block DHCPv6 server messages when they are received on ports that are not explicitly configured as facing a DHCPv6 server or DHCP relay. To use this feature, configure a policy and attach it to an interface or a VLAN. To debug DHCP guard packets, use the **debug ipv6 snooping dhcp-guard** privileged EXEC command.
- IPv6 Source Guard—Like IPv4 Source Guard, IPv6 Source Guard validates the source address or prefix to prevent source address spoofing.

A source guard programs the hardware to allow or deny traffic based on source or destination addresses. It deals exclusively with data packet traffic.

The IPv6 source guard feature provides the ability to store entries in the hardware TCAM table to prevent a host from sending packets with an invalid IPv6 source address.

To debug source-guard packets, use the **debug ipv6 snooping source-guard** privileged EXEC command.



Note The IPv6 source guard and prefix guard features are supported only in the ingress direction; it is not supported in the egress direction.

The following restrictions apply:

- An FHS policy cannot be attached to a physical port when it is a member of an EtherChannel group.
- When IPv6 source guard is enabled on a switch port, NDP or DHCP snooping must be enabled on the interface to which the switch port belongs. Otherwise, all data traffic from this port will be blocked.
- An IPv6 source guard policy cannot be attached to a VLAN. It is supported only at the interface level.
- When you configure IPv4 and IPv6 source guard together on an interface, it is recommended to use **ip verify source mac-check** instead of **ip verify source**. IPv4 connectivity on a given port might break due to two different filtering rules set — one for IPv4 (IP-filter) and the other for IPv6 (IP-MAC filter).
- You cannot use IPv6 Source Guard and Prefix Guard together. When you attach the policy to an interface, it should be "validate address" or "validate prefix" but not both.
- PVLAN and Source/Prefix Guard cannot be applied together.
- IPv6 Source Guard and Prefix Guard is supported on EtherChannels

For more information on IPv6 Source Guard, see the [IPv6 Source Guard](#) chapter of the Cisco IOS IPv6 Configuration Guide Library on Cisco.com.

- IPv6 Prefix Guard—The IPv6 prefix guard feature works within the IPv6 source guard feature, to enable the device to deny traffic originated from non-topologically correct addresses. IPv6 prefix guard is often used when IPv6 prefixes are delegated to devices (for example, home gateways) using DHCP prefix

delegation. The feature discovers ranges of addresses assigned to the link and blocks any traffic sourced with an address outside this range.

For more information on IPv6 Prefix Guard, see the [IPv6 Prefix Guard](#) chapter of the Cisco IOS IPv6 Configuration Guide Library on Cisco.com.

- IPv6 Destination Guard—The IPv6 destination guard feature works with IPv6 neighbor discovery to ensure that the device performs address resolution only for those addresses that are known to be active on the link. It relies on the address glean functionality to populate all destinations active on the link into the binding table and then blocks resolutions before they happen when the destination is not found in the binding table.



Note IPv6 Destination Guard is recommended to apply on Layer 2 VLAN with an SVI configured

For more information about IPv6 Destination Guard, see the [IPv6 Destination Guard](#) chapter of the Cisco IOS IPv6 Configuration Guide Library on Cisco.com.

How to Configure an IPv6 Snooping Policy

Beginning in privileged EXEC mode, follow these steps to configure IPv6 Snooping Policy :

SUMMARY STEPS

1. **configure terminal**
2. **ipv6 snooping policy *policy-name***
3. **{[default] | [device-role {node | switch}] | [limit address-count *value*] | [no] | [protocol {dhcp | ndp}] | [security-level {glean | guard | inspect}] | [tracking {disable [stale-lifetime [*seconds* | infinite]] | enable [reachable-lifetime [*seconds* | infinite]]}] | [trusted-port]}**
4. **end**
5. **show ipv6 snooping policy *policy-name***

DETAILED STEPS

	Command or Action	Purpose
Step 1	configure terminal Example: Switch# configure terminal	Enters the global configuration mode.
Step 2	ipv6 snooping policy <i>policy-name</i> Example: Switch(config)# ipv6 snooping policy example_policy	Creates a snooping policy and enters IPv6 Snooping Policy Configuration mode.
Step 3	{[default] [device-role {node switch}] [limit address-count <i>value</i>] [no] [protocol	Enables data address gleaning, validates messages against various criteria, specifies the security level for messages.

	Command or Action	Purpose
	<pre>{dhcp ndp}] [security-level {glean guard inspect}] [tracking {disable [stale-lifetime [seconds infinite] enable [reachable-lifetime [seconds infinite] }] [trusted-port] }</pre> <p>Example: Switch(config-ipv6-snooping)# security-level inspect</p> <p>Example: Switch(config-ipv6-snooping)# trusted-port</p>	<ul style="list-style-type: none"> • (Optional) default—Sets all to default options. • (Optional) device-role{node switch}—Specifies the role of the device attached to the port. Default is node. • (Optional) limit address-count <i>value</i>—Limits the number of addresses allowed per target. • (Optional) no—Negates a command or sets it to defaults. • (Optional) protocol{dhcp ndp}—Specifies which protocol should be redirected to the snooping feature for analysis. The default, is dhcp and ndp. To change the default, use the no protocol command. • (Optional) security-level{glean guard inspect}—Specifies the level of security enforced by the feature. Default is guard. <ul style="list-style-type: none"> glean—Gleans addresses from messages and populates the binding table without any verification. guard—Gleans addresses and inspects messages. In addition, it rejects RA and DHCP server messages. This is the default option. inspect—Gleans addresses, validates messages for consistency and conformance, and enforces address ownership. • (Optional) tracking {disable enable}—Overrides the default tracking behavior and specifies a tracking option. • (Optional) trusted-port—Sets up a trusted port. It disables the guard on applicable targets. Bindings learned through a trusted port have preference over bindings learned through any other port. A trusted port is given preference in case of a collision while making an entry in the table.
Step 4	<pre>end</pre> <p>Example: Switch(config-ipv6-snooping) # exit</p>	Exits configuration modes to Privileged EXEC mode.
Step 5	<pre>show ipv6 snooping policy <i>policy-name</i></pre> <p>Example: Switch#show ipv6 snooping policy example_policy</p>	Displays the snooping policy configuration.

What to Do Next

Attach an IPv6 Snooping policy to interfaces or VLANs.

How to Attach an IPv6 Snooping Policy to an Interface

Beginning in privileged EXEC mode, follow these steps to attach an IPv6 Snooping policy on an interface or VLAN:

SUMMARY STEPS

1. **configure terminal**
2. **interface** Interface_type *stack/module/port*
3. **switchport**
4. **ipv6 snooping** [**attach-policy** *policy_name* [**vlan** {*vlan_id* | **add** *vlan_ids* | **except***vlan_ids* | **none** | **remove** *vlan_ids*}] | **vlan** {*vlan_id* | **add** *vlan_ids* | **except***vlan_ids* | **none** | **remove** *vlan_ids* | **all**}]
5. **do show running-config**

DETAILED STEPS

	Command or Action	Purpose
Step 1	configure terminal Example: Switch# configure terminal	Enters the global configuration mode.
Step 2	interface Interface_type <i>stack/module/port</i> Example: Switch(config)# interface gigabitethernet 1/1/4	Specifies an interface type and identifier; enters the interface configuration mode.
Step 3	switchport Example: Switch(config-if)# switchport	Enters the Switchport mode. Note To configure Layer 2 parameters, if the interface is in Layer 3 mode, you must enter the switchport interface configuration command without any parameters to put the interface into Layer 2 mode. This shuts down the interface and then re-enables it, which might generate messages on the device to which the interface is connected. When you put an interface that is in Layer 3 mode into Layer 2 mode, the previous configuration information related to the affected interface might be lost, and the interface is returned to its default configuration. The command prompt displays as (config-if)# in Switchport configuration mode.
Step 4	ipv6 snooping [attach-policy <i>policy_name</i> [vlan { <i>vlan_id</i> add <i>vlan_ids</i> except <i>vlan_ids</i> none remove <i>vlan_ids</i> }] vlan { <i>vlan_id</i> add <i>vlan_ids</i> except <i>vlan_ids</i> none remove <i>vlan_ids</i> all }] Example: Switch(config-if)# ipv6 snooping	Attaches a custom ipv6 snooping policy to the interface or the specified VLANs on the interface. To attach the default policy to the interface, use the ipv6 snooping command without the attach-policy keyword. To attach the default policy to VLANs on the interface, use the ipv6 snooping vlan command. The default policy is, security-level guard , device-role node , protocol ndp and dhcp .

	Command or Action	Purpose
	<pre> or Switch(config-if) # ipv6 snooping attach-policy example_policy or Switch(config-if) # ipv6 snooping vlan 111,112 or Switch(config-if) # ipv6 snooping attach-policy example_policy vlan 111,112 </pre>	
Step 5	<p>do show running-config</p> <p>Example: Switch#(config-if)# do show running-config</p>	Verifies that the policy is attached to the specified interface without exiting the interface configuration mode.

How to Attach an IPv6 Snooping Policy to a Layer 2 EtherChannel Interface

Beginning in privileged EXEC mode, follow these steps to attach an IPv6 Snooping policy on an EtherChannel interface or VLAN:

SUMMARY STEPS

1. **configure terminal**
2. **interface range** *Interface_name*
3. **ipv6 snooping** [**attach-policy** *policy_name* [**vlan** {*vlan_ids* | **add** *vlan_ids* | **except** *vlan_ids* | **none** | **remove** *vlan_ids* | **all**}] | **vlan** [{*vlan_ids* | **add** *vlan_ids* | **except** *vlan_ids* | **none** | **remove** *vlan_ids* | **all**}]]
4. **do show running-config interfaceportchannel_interface_name**

DETAILED STEPS

	Command or Action	Purpose
Step 1	<p>configure terminal</p> <p>Example: Switch# configure terminal</p>	Enters the global configuration mode.
Step 2	<p>interface range <i>Interface_name</i></p> <p>Example: Switch(config)# interface Po11</p>	<p>Specify the port-channel interface name assigned when the EtherChannel was created. Enters the interface range configuration mode.</p> <p>Tip Enter the do show interfaces summary command for quick reference to interface names and types.</p>

	Command or Action	Purpose
Step 3	<pre> ipv6 snooping [attach-policy <i>policy_name</i> [vlan {<i>vlan_ids</i> add <i>vlan_ids</i> except <i>vlan_ids</i> none remove <i>vlan_ids</i> all}] vlan [{<i>vlan_ids</i> add <i>vlan_ids</i> except <i>vlan_ids</i> none remove <i>vlan_ids</i> all}] Example: Switch(config-if-range)# ipv6 snooping attach-policy example_policy or Switch(config-if-range)# ipv6 snooping attach-policy example_policy vlan 222,223,224 or Switch(config-if-range)#ipv6 snooping vlan 222, 223,224 </pre>	Attaches the IPv6 Snooping policy to the interface or the specified VLANs on that interface. The default policy is attached if the attach-policy option is not used.
Step 4	<pre> do show running-config interface<i>portchannel_interface_name</i> Example: Switch#(config-if-range)# do show running-config int poll </pre>	Confirms that the policy is attached to the specified interface without exiting the configuration mode.

How to Attach an IPv6 Snooping Policy to VLANs Globally

Beginning in privileged EXEC mode, follow these steps to attach an IPv6 Snooping Policy to VLANs across multiple interfaces:

SUMMARY STEPS

1. **configure terminal**
2. **vlan configuration** *vlan_list*
3. **ipv6 snooping** [**attach-policy** *policy_name*]
4. **do show running-config**

DETAILED STEPS

	Command or Action	Purpose
Step 1	<pre> configure terminal Example: Switch# configure terminal </pre>	Enters the global configuration mode.

	Command or Action	Purpose
Step 2	<p>[no] ipv6 neighbor binding [vlan <i>vlan-id</i> {<i>ipv6-address</i> interface interface_type <i>stack/module/port</i> hw_address [reachable-lifetimevalue [<i>seconds</i> default infinite] [tracking { [default disable] [reachable-lifetimevalue [<i>seconds</i> default infinite] [enable [reachable-lifetimevalue [<i>seconds</i> default infinite] [retry-interval {<i>seconds</i> default [reachable-lifetimevalue [<i>seconds</i> default infinite] }]</p> <p>Example: Switch(config)# ipv6 neighbor binding</p>	Adds a static entry to the binding table database.
Step 3	<p>[no] ipv6 neighbor binding max-entries <i>number</i> [mac-limit <i>number</i> port-limit <i>number</i> [mac-limit <i>number</i>] vlan-limit <i>number</i> [[mac-limit <i>number</i>] [port-limit <i>number</i> [mac-limit<i>number</i>]]]]</p> <p>Example: Switch(config)# ipv6 neighbor binding max-entries 30000</p>	Specifies the maximum number of entries that are allowed to be inserted in the binding table cache.
Step 4	<p>ipv6 neighbor binding logging</p> <p>Example: Switch(config)# ipv6 neighbor binding logging</p>	Enables the logging of binding table main events.
Step 5	<p>exit</p> <p>Example: Switch(config)# exit</p>	Exits global configuration mode, and places the router in privileged EXEC mode.
Step 6	<p>show ipv6 neighbor binding</p> <p>Example: Switch# show ipv6 neighbor binding</p>	Displays contents of a binding table.

How to Configure an IPv6 Neighbor Discovery Inspection Policy

Beginning in privileged EXEC mode, follow these steps to configure an IPv6 ND Inspection Policy:

SUMMARY STEPS

1. **configure terminal**
2. **[no]ipv6 nd inspection policy *policy-name***
3. **device-role {host | monitor | router | switch}**
4. **drop-unsecure**
5. **limit address-count *value***
6. **sec-level minimum *value***
7. **tracking {enable [reachable-lifetime {*value* | infinite}] | disable [stale-lifetime {*value* | infinite}]}**
8. **trusted-port**
9. **validate source-mac**
10. **no {device-role | drop-unsecure | limit address-count | sec-level minimum | tracking | trusted-port | validate source-mac}**
11. **default {device-role | drop-unsecure | limit address-count | sec-level minimum | tracking | trusted-port | validate source-mac}**
12. **do show ipv6 nd inspection policy *policy_name***

DETAILED STEPS

	Command or Action	Purpose
Step 1	configure terminal Example: Switch# configure terminal	Enters the global configuration mode.
Step 2	[no]ipv6 nd inspection policy <i>policy-name</i> Example: Switch(config)# ipv6 nd inspection policy <i>example_policy</i>	Specifies the ND inspection policy name and enters ND Inspection Policy configuration mode.
Step 3	device-role {host monitor router switch} Example: Switch(config-nd-inspection)# device-role switch	Specifies the role of the device attached to the port. The default is host .
Step 4	drop-unsecure Example: Switch(config-nd-inspection)# drop-unsecure	Drops messages with no or invalid options or an invalid signature.
Step 5	limit address-count <i>value</i> Example: Switch(config-nd-inspection)# limit address-count 1000	Enter 1–10,000.

	Command or Action	Purpose
Step 6	sec-level minimum <i>value</i> Example: Switch(config-nd-inspection)# limit address-count 1000	Specifies the minimum security level parameter value when Cryptographically Generated Address (CGA) options are used.
Step 7	tracking { enable [reachable-lifetime { <i>value</i> infinite }] disable [stale-lifetime { <i>value</i> infinite }]} Example: Switch(config-nd-inspection)# tracking disable stale-lifetime infinite	Overrides the default tracking policy on a port.
Step 8	trusted-port Example: Switch(config-nd-inspection)# trusted-port	Configures a port to become a trusted port.
Step 9	validate source-mac Example: Switch(config-nd-inspection)# validate source-mac	Checks the source media access control (MAC) address against the link-layer address.
Step 10	no { device-role drop-unsecure limit address-count sec-level minimum tracking trusted-port validate source-mac } Example: Switch(config-nd-inspection)# no validate source-mac	Remove the current configuration of a parameter with the no form of the command.
Step 11	default { device-role drop-unsecure limit address-count sec-level minimum tracking trusted-port validate source-mac } Example: Switch(config-nd-inspection)# default limit address-count	Restores configuration to the default values.
Step 12	do show ipv6 nd inspection policy <i>policy_name</i> Example: Switch(config-nd-inspection)# do show ipv6 nd inspection policy example_policy	Verifies the ND Inspection Configuration without exiting ND inspection configuration mode.

How to Attach an IPv6 Neighbor Discovery Inspection Policy to an Interface

Beginning in privileged EXEC mode, follow these steps to attach an IPv6 ND Inspection policy to an interface or VLANs on an interface :

SUMMARY STEPS

1. **configure terminal**
2. **interface** Interface_type *stack/module/port*
3. **ipv6 nd inspection** [**attach-policy** *policy_name* [**vlan** {*vlan_ids* | **add** *vlan_ids* | **except** *vlan_ids* | **none** | **remove** *vlan_ids* | **all**}] | **vlan** [{*vlan_ids* | **add** *vlan_ids* | **except** *vlan_ids* | **none** | **remove** *vlan_ids* | **all**}]]
4. **do show running-config**

DETAILED STEPS

	Command or Action	Purpose
Step 1	configure terminal Example: Switch# configure terminal	Enters the global configuration mode.
Step 2	interface Interface_type <i>stack/module/port</i> Example: Switch(config)# interface gigabitethernet 1/1/4	Specifies an interface type and identifier; enters the interface configuration mode.
Step 3	ipv6 nd inspection [attach-policy <i>policy_name</i> [vlan { <i>vlan_ids</i> add <i>vlan_ids</i> except <i>vlan_ids</i> none remove <i>vlan_ids</i> all }] vlan [{ <i>vlan_ids</i> add <i>vlan_ids</i> except <i>vlan_ids</i> none remove <i>vlan_ids</i> all }]] Example: Switch(config-if)# ipv6 nd inspection attach-policy example_policy or Switch(config-if)# ipv6 nd inspection attach-policy example_policy vlan 222,223,224 or Switch(config-if)# ipv6 nd inspection vlan 222, 223,224	Attaches the Neighbor Discovery Inspection policy to the interface or the specified VLANs on that interface. The default policy is attached if the attach-policy option is not used.
Step 4	do show running-config Example: Switch#(config-if) # do show running-config	Verifies that the policy is attached to the specified interface without exiting the interface configuration mode.

How to Attach an IPv6 Neighbor Discovery Inspection Policy to a Layer 2 EtherChannel Interface

Beginning in privileged EXEC mode, follow these steps to attach an IPv6 Neighbor Discovery Inspection policy on an EtherChannel interface or VLAN:

SUMMARY STEPS

1. **configure terminal**
2. **interface range** *Interface_name*
3. **ipv6 nd inspection** [**attach-policy** *policy_name* [**vlan** {*vlan_ids* | **add** *vlan_ids* | **except** *vlan_ids* | **none** | **remove** *vlan_ids* | **all**}] | **vlan** [{*vlan_ids* | **add** *vlan_ids* | **except** *vlan_ids* | **none** | **remove** *vlan_ids* | **all**}]]
4. **do show running-config interface** *portchannel_interface_name*

DETAILED STEPS

	Command or Action	Purpose
Step 1	configure terminal Example: Switch# configure terminal	Enters the global configuration mode.
Step 2	interface range <i>Interface_name</i> Example: Switch(config)# interface Po11	Specify the port-channel interface name assigned when the EtherChannel was created. Enters the interface range configuration mode. Tip Enter the do show interfaces summary command for quick reference to interface names and types.
Step 3	ipv6 nd inspection [attach-policy <i>policy_name</i> [vlan { <i>vlan_ids</i> add <i>vlan_ids</i> except <i>vlan_ids</i> none remove <i>vlan_ids</i> all }] vlan [{ <i>vlan_ids</i> add <i>vlan_ids</i> except <i>vlan_ids</i> none remove <i>vlan_ids</i> all }]] Example: Switch(config-if-range)# ipv6 nd inspection attach-policy example_policy or Switch(config-if-range)# ipv6 nd inspection attach-policy example_policy vlan 222,223,224 or Switch(config-if-range)# ipv6 nd inspection vlan 222, 223,224	Attaches the ND Inspection policy to the interface or the specified VLANs on that interface. The default policy is attached if the attach-policy option is not used.

	Command or Action	Purpose
Step 4	do show running-config interface <i>portchannel_interface_name</i> Example: Switch#(config-if-range)# do show running-config int pol1	Confirms that the policy is attached to the specified interface without exiting the configuration mode.

How to Attach an IPv6 Neighbor Discovery Inspection Policy to VLANs Globally

Beginning in privileged EXEC mode, follow these steps to attach an IPv6 ND Inspection policy to VLANs across multiple interfaces:

SUMMARY STEPS

1. **configure terminal**
2. **vlan configuration** *vlan_list*
3. **ipv6 nd inspection** [**attach-policy** *policy_name*]
4. **do show running-config**

DETAILED STEPS

	Command or Action	Purpose
Step 1	configure terminal Example: Switch# configure terminal	Enters the global configuration mode.
Step 2	vlan configuration <i>vlan_list</i> Example: Switch(config)# vlan configuration 334	Specifies the VLANs to which the IPv6 Snooping policy will be attached ; enters the VLAN interface configuration mode.
Step 3	ipv6 nd inspection [attach-policy <i>policy_name</i>] Example: Switch(config-vlan-config)# ipv6 nd inspection attach-policy example_policy	<p>Attaches the IPv6 Neighbor Discovery policy to the specified VLANs across all switch and stack interfaces. The default policy is attached if the attach-policy option is not used.</p> <p>The default policy is, device-role host, no drop-unsecure, limit address-count disabled, sec-level minimum is disabled, tracking is disabled, no trusted-port, no validate source-mac.</p>
Step 4	do show running-config Example: Switch#(config-if)# do show running-config	Confirms that the policy is attached to the specified VLANs without exiting the configuration mode.

How to Configure an IPv6 Router Advertisement Guard Policy

Beginning in privileged EXEC mode, follow these steps to configure an IPv6 Router Advertisement policy :

SUMMARY STEPS

1. **configure terminal**
2. **[no]ipv6 nd rguard policy *policy-name***
3. **[no]device-role {host | monitor | router | switch}**
4. **[no]hop-limit {maximum | minimum} *value***
5. **[no]managed-config-flag {off | on}**
6. **[no]match {ipv6 access-list *list* | ra prefix-list *list*}**
7. **[no]other-config-flag {on | off}**
8. **[no]router-preference maximum {high | medium | low}**
9. **[no]trusted-port**
10. **default {device-role | hop-limit {maximum | minimum} | managed-config-flag | match {ipv6 access-list | ra prefix-list } | other-config-flag | router-preference maximum| trusted-port}**
11. **do show ipv6 nd rguard policy *policy_name***

DETAILED STEPS

	Command or Action	Purpose
Step 1	configure terminal Example: Switch# configure terminal	Enters the global configuration mode.
Step 2	[no]ipv6 nd rguard policy <i>policy-name</i> Example: Switch(config)# ipv6 nd rguard policy example_policy	Specifies the RA Guard policy name and enters RA Guard Policy configuration mode.
Step 3	[no]device-role {host monitor router switch} Example: Switch(config-nd-rguard)# device-role switch	Specifies the role of the device attached to the port. The default is host .
Step 4	[no]hop-limit {maximum minimum} <i>value</i> Example: Switch(config-nd-rguard)# hop-limit maximum 33	(1–255) Range for Maximum and Minimum Hop Limit values. Enables filtering of Router Advertisement messages by the Hop Limit value. A rogue RA message may have a low Hop Limit value (equivalent to the IPv4 Time to Live) that when accepted by the host,

	Command or Action	Purpose
		<p>prevents the host from generating traffic to destinations beyond the rogue RA message generator. An RA message with an unspecified Hop Limit value is blocked.</p> <p>If not configured, this filter is disabled. Configure minimum to block RA messages with Hop Limit values lower than the value you specify. Configure maximum to block RA messages with Hop Limit values greater than the value you specify.</p>
Step 5	<p><code>[no]managed-config-flag {off on}</code></p> <p>Example: <pre>Switch(config-nd-raguard) # managed-config-flag on</pre></p>	<p>Enables filtering of Router Advertisement messages by the Managed Address Configuration, or "M" flag field. A rogue RA message with an M field of 1 can cause a host to use a rogue DHCPv6 server. If not configured, this filter is disabled.</p> <p>On—Accepts and forwards RA messages with an M value of 1, blocks those with 0.</p> <p>Off—Accepts and forwards RA messages with an M value of 0, blocks those with 1.</p>
Step 6	<p><code>[no]match {ipv6 access-list list ra prefix-list list}</code></p> <p>Example: <pre>Switch(config-nd-raguard) # match ipv6 access-list example_list</pre></p>	<p>Matches a specified prefix list or access list.</p>
Step 7	<p><code>[no]other-config-flag {on off}</code></p> <p>Example: <pre>Switch(config-nd-raguard) # other-config-flag on</pre></p>	<p>Enables filtering of Router Advertisement messages by the Other Configuration, or "O" flag field. A rogue RA message with an O field of 1 can cause a host to use a rogue DHCPv6 server. If not configured, this filter is disabled.</p> <p>On—Accepts and forwards RA messages with an O value of 1, blocks those with 0.</p> <p>Off—Accepts and forwards RA messages with an O value of 0, blocks those with 1.</p>
Step 8	<p><code>[no]router-preference maximum {high medium low}</code></p> <p>Example: <pre>Switch(config-nd-raguard) # router-preference maximum high</pre></p>	<p>Enables filtering of Router Advertisement messages by the Router Preference flag. If not configured, this filter is disabled.</p> <ul style="list-style-type: none"> • high—Accepts RA messages with the Router Preference set to high, medium, or low. • medium—Blocks RA messages with the Router Preference set to high. • low—Blocks RA messages with the Router Preference set to medium and high.
Step 9	<p><code>[no]trusted-port</code></p> <p>Example: <pre>Switch(config-nd-raguard) # trusted-port</pre></p>	<p>When configured as a trusted port, all attached devices are trusted, and no further message verification is performed.</p>

	Command or Action	Purpose
Step 10	default {device-role hop-limit {maximum minimum} managed-config-flag match {ipv6 access-list ra prefix-list } other-config-flag router-preference maximum trusted-port} Example: Switch(config-nd-raguard) # default hop-limit	Restores a command to its default value.
Step 11	do show ipv6 nd raguard policy <i>policy_name</i> Example: Switch(config-nd-raguard) # do show ipv6 nd raguard policy example_policy	(Optional)—Displays the ND Guard Policy configuration without exiting the RA Guard policy configuration mode.

How to Attach an IPv6 Router Advertisement Guard Policy to an Interface

Beginning in privileged EXEC mode, follow these steps to attach an IPv6 Router Advertisement policy to an interface or to VLANs on the interface :

SUMMARY STEPS

1. **configure terminal**
2. **interface** *Interface_type stack/module/port*
3. **ipv6 nd raguard** [**attach-policy** *policy_name* [**vlan** {*vlan_ids* | **add** *vlan_ids* | **except** *vlan_ids* | **none** | **remove** *vlan_ids* | **all**}] | **vlan** [{*vlan_ids* | **add** *vlan_ids* | **except** *vlan_ids* | **none** | **remove** *vlan_ids* | **all**}]]
4. **do show running-config**

DETAILED STEPS

	Command or Action	Purpose
Step 1	configure terminal Example: Switch# configure terminal	Enters the global configuration mode.
Step 2	interface <i>Interface_type stack/module/port</i> Example: Switch(config)# interface gigabitethernet 1/1/4	Specifies an interface type and identifier; enters the interface configuration mode.
Step 3	ipv6 nd raguard [attach-policy <i>policy_name</i> [vlan { <i>vlan_ids</i> add <i>vlan_ids</i> except <i>vlan_ids</i> none remove <i>vlan_ids</i> all }]]	Attaches the Neighbor Discovery Inspection policy to the interface or the specified VLANs on that

	Command or Action	Purpose
	<pre> vlan [{vlan_ids add vlan_ids exceptvlan_ids none remove vlan_ids all}] Example: Switch(config-if)# ipv6 nd rguard attach-policy example_policy or Switch(config-if)# ipv6 nd rguard attach-policy example_policy vlan 222,223,224 or Switch(config-if)# ipv6 nd rguard vlan 222, 223,224</pre>	interface. The default policy is attached if the attach-policy option is not used.
Step 4	<pre>do show running-config Example: Switch#(config-if)# do show running-config</pre>	Confirms that the policy is attached to the specified interface without exiting the configuration mode.

How to Attach an IPv6 Router Advertisement Guard Policy to a Layer 2 EtherChannel Interface

Beginning in privileged EXEC mode, follow these steps to attach an IPv6 Router Advertisement Guard Policy on an EtherChannel interface or VLAN:

SUMMARY STEPS

1. **configure terminal**
2. **interface range** *Interface_name*
3. **ipv6 nd rguard** [**attach-policy** *policy_name* [**vlan** {*vlan_ids* | **add** *vlan_ids* | **except** *vlan_ids* | **none** | **remove** *vlan_ids* | **all**}] | **vlan** [{*vlan_ids* | **add** *vlan_ids* | **except** *vlan_ids* | **none** | **remove** *vlan_ids* | **all**}]]
4. **do show running-config interfaceportchannel_interface_name**

DETAILED STEPS

	Command or Action	Purpose
Step 1	<pre>configure terminal Example: Switch# configure terminal</pre>	Enters the global configuration mode.

	Command or Action	Purpose
Step 2	<p>interface range <i>Interface_name</i></p> <p>Example: Switch(config)# interface Po11</p>	<p>Specify the port-channel interface name assigned when the EtherChannel was created. Enters the interface range configuration mode.</p> <p>Tip Enter the do show interfaces summary command for quick reference to interface names and types.</p>
Step 3	<p>ipv6 nd raguard [attach-policy <i>policy_name</i> [vlan {<i>vlan_ids</i> add <i>vlan_ids</i> except <i>vlan_ids</i> none remove <i>vlan_ids</i> all}] vlan [{<i>vlan_ids</i> add <i>vlan_ids</i> except <i>vlan_ids</i> none remove <i>vlan_ids</i> all}]]</p> <p>Example: Switch(config-if-range)# ipv6 nd raguard attach-policy example_policy</p> <p>or</p> <p>Switch(config-if-range)# ipv6 nd raguard attach-policy example_policy vlan 222,223,224</p> <p>or</p> <p>Switch(config-if-range)#ipv6 nd raguard vlan 222,223,224</p>	<p>Attaches the RA Guard policy to the interface or the specified VLANs on that interface. The default policy is attached if the attach-policy option is not used.</p>
Step 4	<p>do show running-config interface<i>portchannel_interface_name</i></p> <p>Example: Switch#(config-if-range)# do show running-config int po11</p>	<p>Confirms that the policy is attached to the specified interface without exiting the configuration mode.</p>

How to Attach an IPv6 Router Advertisement Guard Policy to VLANs Globally

Beginning in privileged EXEC mode, follow these steps to attach an IPv6 Router Advertisement policy to VLANs regardless of interface:

SUMMARY STEPS

1. **configure terminal**
2. **vlan configuration** *vlan_list*
3. **ipv6 dhcp guard** [**attach-policy** *policy_name*]
4. **do show running-config**

DETAILED STEPS

	Command or Action	Purpose
Step 1	configure terminal Example: Switch# <code>configure terminal</code>	Enters global configuration mode.
Step 2	vlan configuration <i>vlan_list</i> Example: Switch(config)# <code>vlan configuration 335</code>	Specifies the VLANs to which the IPv6 RA Guard policy will be attached ; enters the VLAN interface configuration mode.
Step 3	ipv6 dhcp guard [attach-policy <i>policy_name</i>] Example: Switch(config-vlan-config)# <code>ipv6 nd raguard attach-policy example_policy</code>	Attaches the IPv6 RA Guard policy to the specified VLANs across all switch and stack interfaces. The default policy is attached if the attach-policy option is not used.
Step 4	do show running-config Example: Switch#(config-if)# <code>do show running-config</code>	Confirms that the policy is attached to the specified VLANs without exiting the configuration mode.

How to Configure an IPv6 DHCP Guard Policy

Beginning in privileged EXEC mode, follow these steps to configure an IPv6 DHCP (DHCPv6) Guard policy:

SUMMARY STEPS

1. `configure terminal`
2. `[no]ipv6 dhcp guard policy policy-name`
3. `[no]device-role {client | server}`
4. `[no] match server access-list ipv6-access-list-name`
5. `[no] match reply prefix-list ipv6-prefix-list-name`
6. `[no]preference { max limit | min limit }`
7. `[no] trusted-port`
8. `default {device-role | trusted-port}`
9. `do show ipv6 dhcp guard policy policy_name`

DETAILED STEPS

	Command or Action	Purpose
Step 1	<p>configure terminal</p> <p>Example: Switch# configure terminal</p>	Enters the global configuration mode.
Step 2	<p>[no]ipv6 dhcp guard policy <i>policy-name</i></p> <p>Example: Switch(config)# ipv6 dhcp guard policy example_policy</p>	Specifies the DHCPv6 Guard policy name and enters DHCPv6 Guard Policy configuration mode.
Step 3	<p>[no]device-role {client server}</p> <p>Example: Switch(config-dhcp-guard)# device-role server</p>	<p>(Optional) Filters out DHCPv6 replies and DHCPv6 advertisements on the port that are not from a device of the specified role. Default is client.</p> <ul style="list-style-type: none"> • client—Default value, specifies that the attached device is a client. Server messages are dropped on this port. • server—Specifies that the attached device is a DHCPv6 server. Server messages are allowed on this port.
Step 4	<p>[no] match server access-list <i>ipv6-access-list-name</i></p> <p>Example:</p> <pre>;;Assume a preconfigured IPv6 Access List as follows: Switch(config)# ipv6 access-list my_acls Switch(config-ipv6-acl)# permit host FE80::A8BB:CCFF:FE01:F700 any ;;configure DHCPv6 Guard to match approved access list. Switch(config-dhcp-guard)# match server access-list my_acls</pre>	(Optional). Enables verification that the advertised DHCPv6 server or relay address is from an authorized server access list (The destination address in the access list is 'any'). If not configured, this check will be bypassed. An empty access list is treated as a permit all.
Step 5	<p>[no] match reply prefix-list <i>ipv6-prefix-list-name</i></p> <p>Example:</p> <pre>;;Assume a preconfigured IPv6 prefix list as follows: Switch(config)# ipv6 prefix-list my_prefix permit 2001:0DB8::/64 le 128 ;; Configure DHCPv6 Guard to match prefix Switch(config-dhcp-guard)# match reply prefix-list my_prefix</pre>	(Optional) Enables verification of the advertised prefixes in DHCPv6 reply messages from the configured authorized prefix list. If not configured, this check will be bypassed. An empty prefix list is treated as a permit.
Step 6	<p>[no]preference { max <i>limit</i> min <i>limit</i> }</p> <p>Example: Switch(config-dhcp-guard)# preference max 250 Switch(config-dhcp-guard)#preference min 150</p>	Configure max and min when device-role is server to filter DHCPv6 server advertisements by the server preference value. The defaults permit all advertisements.

	Command or Action	Purpose
		<p>max limit—(0 to 255) (Optional) Enables verification that the advertised preference (in preference option) is less than the specified limit. Default is 255. If not specified, this check will be bypassed.</p> <p>min limit—(0 to 255) (Optional) Enables verification that the advertised preference (in preference option) is greater than the specified limit. Default is 0. If not specified, this check will be bypassed.</p>
Step 7	<p>[no] trusted-port</p> <p>Example: Switch(config-dhcp-guard)# trusted-port</p>	<p>(Optional) trusted-port—Sets the port to a trusted mode. No further policing takes place on the port.</p> <p>Note If you configure a trusted port then the device-role option is not available.</p>
Step 8	<p>default {device-role trusted-port}</p> <p>Example: Switch(config-dhcp-guard)# default device-role</p>	<p>(Optional) default—Sets a command to its defaults.</p>
Step 9	<p>do show ipv6 dhcp guard policy <i>policy_name</i></p> <p>Example: Switch(config-dhcp-guard)# do show ipv6 dhcp guard policy example_policy</p>	<p>(Optional) Displays the configuration of the IPv6 DHCP guard policy without leaving the configuration submode. Omitting the <i>policy_name</i> variable displays all DHCPv6 policies.</p>

Example of DHCPv6 Guard Configuration

```
enable
configure terminal
ipv6 access-list acl1
  permit host FE80::A8BB:CCFF:FE01:F700 any
ipv6 prefix-list abc permit 2001:0DB8::/64 le 128
ipv6 dhcp guard policy poll
  device-role server
  match server access-list acl1
  match reply prefix-list abc
  preference min 0
  preference max 255
  trusted-port
interface GigabitEthernet 0/2/0
  switchport
  ipv6 dhcp guard attach-policy poll vlan add 1
  vlan 1
  ipv6 dhcp guard attach-policy poll
show ipv6 dhcp guard policy poll
```

How to Attach an IPv6 DHCP Guard Policy to an Interface or a VLAN on an Interface

Beginning in privileged EXEC mode, follow these steps to configure IPv6 Binding Table Content :

SUMMARY STEPS

1. **configure terminal**
2. **interface** Interface_type stack/module/port
3. **ipv6 dhcp guard** [attach-policy policy_name [vlan {vlan_ids | add vlan_ids | except vlan_ids | none | remove vlan_ids | all}] | vlan [{vlan_ids | add vlan_ids | exceptvlan_ids | none | remove vlan_ids | all}]]
4. **do show running-config interface** Interface_type stack/module/port

DETAILED STEPS

	Command or Action	Purpose
Step 1	configure terminal Example: Switch# configure terminal	Enters the global configuration mode.
Step 2	interface Interface_type stack/module/port Example: Switch(config)# interface gigabitethernet 1/1/4	Specifies an interface type and identifier; enters the interface configuration mode.
Step 3	ipv6 dhcp guard [attach-policy policy_name [vlan {vlan_ids add vlan_ids except vlan_ids none remove vlan_ids all}] vlan [{vlan_ids add vlan_ids exceptvlan_ids none remove vlan_ids all}]] Example: Switch(config-if)# ipv6 dhcp guard attach-policy example_policy or Switch(config-if)# ipv6 dhcp guard attach-policy example_policy vlan 222,223,224 or Switch(config-if)# ipv6 dhcp guard vlan 222, 223,224	Attaches the DHCP Guard policy to the interface or the specified VLANs on that interface. The default policy is attached if the attach-policy option is not used.
Step 4	do show running-config interface Interface_type stack/module/port Example: Switch#(config-if)# do show running-config gig 1/1/4	Confirms that the policy is attached to the specified interface without exiting the configuration mode.

How to Attach an IPv6 DHCP Guard Policy to a Layer 2 EtherChannel Interface

Beginning in privileged EXEC mode, follow these steps to attach an IPv6 DHCP Guard policy on an EtherChannel interface or VLAN:

SUMMARY STEPS

1. **configure terminal**
2. **interface range** *Interface_name*
3. **ipv6 dhcp guard** [**attach-policy** *policy_name* [**vlan** {*vlan_ids* | **add** *vlan_ids* | **except** *vlan_ids* | **none** | **remove** *vlan_ids* | **all**}] | **vlan** [{*vlan_ids* | **add** *vlan_ids* | **except** *vlan_ids* | **none** | **remove** *vlan_ids* | **all**}]]
4. **do show running-config interface** *portchannel_interface_name*

DETAILED STEPS

	Command or Action	Purpose
Step 1	configure terminal Example: Switch# configure terminal	Enters the global configuration mode.
Step 2	interface range <i>Interface_name</i> Example: Switch(config)# interface Po11	Specify the port-channel interface name assigned when the EtherChannel was created. Enters the interface range configuration mode. Tip Enter the do show interfaces summary command for quick reference to interface names and types.
Step 3	ipv6 dhcp guard [attach-policy <i>policy_name</i> [vlan { <i>vlan_ids</i> add <i>vlan_ids</i> except <i>vlan_ids</i> none remove <i>vlan_ids</i> all }] vlan [{ <i>vlan_ids</i> add <i>vlan_ids</i> except <i>vlan_ids</i> none remove <i>vlan_ids</i> all }]] Example: Switch(config-if-range)# ipv6 dhcp guard attach-policy example_policy or Switch(config-if-range)# ipv6 dhcp guard attach-policy example_policy vlan 222,223,224 or Switch(config-if-range)# ipv6 dhcp guard vlan 222,223,224	Attaches the DHCP Guard policy to the interface or the specified VLANs on that interface. The default policy is attached if the attach-policy option is not used.

	Command or Action	Purpose
Step 4	do show running-config interface <i>portchannel_interface_name</i> Example: Switch#(config-if-range)# do show running-config int po11	Confirms that the policy is attached to the specified interface without exiting the configuration mode.

How to Attach an IPv6 DHCP Guard Policy to VLANs Globally

Beginning in privileged EXEC mode, follow these steps to attach an IPv6 DHCP Guard policy to VLANs across multiple interfaces:

SUMMARY STEPS

1. **configure terminal**
2. **vlan configuration** *vlan_list*
3. **ipv6 dhcp guard** [**attach-policy** *policy_name*]
4. **do show running-config**

DETAILED STEPS

	Command or Action	Purpose
Step 1	configure terminal Example: Switch# configure terminal	Enters the global configuration mode.
Step 2	vlan configuration <i>vlan_list</i> Example: Switch(config)# vlan configuration 334	Specifies the VLANs to which the IPv6 Snooping policy will be attached ; enters the VLAN interface configuration mode.
Step 3	ipv6 dhcp guard [attach-policy <i>policy_name</i>] Example: Switch(config-vlan-config)# ipv6 dhcp guard attach-policy example_policy	Attaches the IPv6 Neighbor Discovery policy to the specified VLANs across all switch and stack interfaces. The default policy is attached if the attach-policy option is not used. The default policy is, device-role client , no trusted-port.
Step 4	do show running-config Example: Switch#(config-if)# do show running-config	Confirms that the policy is attached to the specified VLANs without exiting the configuration mode.

Additional References

Related Documents

Related Topic	Document Title
Implementing IPv6 Addressing and Basic Connectivity	http://www.cisco.com/en/US/docs/ios-xml/ios/ipv6/configuration/15-0sy/ipv6-addrg-bsc-con.html
IPv6 network management and security topics	IPv6 Configuration Library, Cisco IOS XE Release 3SE (Catalyst 3850 Switches) http://www.cisco.com/en/US/docs/ios-xml/ios/ipv6/config_library/xe-3se/3850/ipv6-xe-3se-3850-library.html
IPv6 Command Reference	IPv6 Command Reference, Cisco IOS XE Release 3SE (Catalyst 3850 Switches) http://www.cisco.com/en/US/docs/ios-xml/ios/ipv6/command/ipv6-xe-3se-3850-cr-book.html

Error Message Decoder

Description	Link
To help you research and resolve system error messages in this release, use the Error Message Decoder tool.	https://www.cisco.com/cgi-bin/Support/Errordecoder/index.cgi

Technical Assistance

Description	Link
<p>The Cisco Support website provides extensive online resources, including documentation and tools for troubleshooting and resolving technical issues with Cisco products and technologies.</p> <p>To receive security and technical information about your products, you can subscribe to various services, such as the Product Alert Tool (accessed from Field Notices), the Cisco Technical Services Newsletter, and Really Simple Syndication (RSS) Feeds.</p> <p>Access to most tools on the Cisco Support website requires a Cisco.com user ID and password.</p>	<p>http://www.cisco.com/support</p>



CHAPTER 20

Configuring Cisco TrustSec

- [Information about Cisco TrustSec](#), page 463
- [Finding Feature Information](#), page 463
- [Cisco TrustSec Features](#), page 464
- [Feature Information for Cisco TrustSec](#), page 466

Information about Cisco TrustSec

Cisco TrustSec provides security improvements to Cisco network devices based on the capability to strongly identify users, hosts, and network devices within a network. TrustSec provides topology-independent and scalable access controls by uniquely classifying data traffic for a particular role. TrustSec ensures data confidentiality and integrity by establishing trust among authenticated peers and encrypting links with those peers.

The key component of Cisco TrustSec is the Cisco Identity Services Engine (ISE). Cisco ISE can provision switches with TrustSec Identities and Security Group ACLs (SGACLs), though these may be configured manually on the switch.

Finding Feature Information

To configure Cisco TrustSec on the switch, see the Cisco TrustSec Switch Configuration Guide at the following URL:

<http://www.cisco.com/c/en/us/td/docs/switches/lan/trustsec/configuration/guide/trustsec.html>

Release notes for Cisco TrustSec General Availability releases are at the following URL:

http://www.cisco.com/en/US/docs/switches/lan/trustsec/release/notes/rn_cts_crossplat.html

For restrictions and limitations on Catalyst 3850 and 3650, see the notes available at the following URL:

http://www.cisco.com/c/en/us/td/docs/switches/lan/trustsec/configuration/guide/trustsec/appa_cat3k.html

Additional information about the Cisco TrustSec solution, including overviews, datasheets, features by platform matrix, and case studies, is available at the following URL:

<http://www.cisco.com/en/US/netsol/ns1051/index.html>

Cisco TrustSec Features

The table below lists the TrustSec features to be eventually implemented on TrustSec-enabled Cisco switches. Successive general availability releases of TrustSec will expand the number of switches supported and the number of TrustSec features supported per switch.

Cisco TrustSec Feature	Description
802.1AE Tagging (MACsec)	<p>Protocol for IEEE 802.1AE-based wire-rate hop-to-hop Layer 2 encryption.</p> <p>Between MACsec-capable devices, packets are encrypted on egress from the transmitting device, decrypted on ingress to the receiving device, and in the clear within the devices.</p> <p>This feature is only available between TrustSec hardware-capable devices.</p> <p>Note This feature is not supported on Catalyst 2960x.</p>
Endpoint Admission Control (EAC)	<p>EAC is an authentication process for an endpoint user or a device connecting to the TrustSec domain. Usually EAC takes place at the access level switch. Successful authentication and authorization in the EAC process results in Security Group Tag assignment for the user or device. Currently EAC can be 802.1X, MAC Authentication Bypass (MAB), and Web Authentication Proxy (WebAuth).</p>
Network Device Admission Control (NDAC)	<p>NDAC is an authentication process where each network device in the TrustSec domain can verify the credentials and trustworthiness of its peer device. NDAC utilizes an authentication framework based on IEEE 802.1X port-based authentication and uses EAP-FAST as its EAP method. Successful authentication and authorization in NDAC process results in Security Association Protocol negotiation for IEEE 802.1AE encryption.</p> <p>Note This feature is not supported on Catalyst 2960x.</p>
Security Group Access Control List (SGACL)	<p>A Security Group Access Control List (SGACL) associates a Security Group Tag with a policy. The policy is enforced upon SGT-tagged traffic egressing the TrustSec domain.</p>

Cisco TrustSec Feature	Description
Security Association Protocol (SAP)	<p>After NDAC authentication, the Security Association Protocol (SAP) automatically negotiates keys and the cipher suite for subsequent MACSec link encryption between TrustSec peers. SAP is defined in IEEE 802.11i.</p> <p>Note This feature is not supported on Catalyst 2960x.</p>
Security Group Tag (SGT)	<p>An SGT is a 16-bit single label indicating the security classification of a source in the TrustSec domain. It is appended to an Ethernet frame or an IP packet.</p>
SGT Exchange Protocol (SXP)	<p>Security Group Tag Exchange Protocol (SXP). With SXP, devices that are not TrustSec-hardware-capable can receive SGT attributes for authenticated users and devices from the Cisco Identity Services Engine (ISE) or the Cisco Secure Access Control System (ACS). The devices can then forward a sourceIP-to-SGT binding to a TrustSec-hardware-capable device will tag the source traffic for SGACL enforcement.</p>

When both ends of a link support 802.1AE MACsec, SAP negotiation occurs. An EAPOL-key exchange occurs between the supplicant and the authenticator to negotiate a cipher suite, exchange security parameters, and manage keys. Successful completion of these tasks results in the establishment of a security association (SA).

Depending on your software version and licensing and link hardware support, SAP negotiation can use one of these modes of operation:

- Galois Counter Mode (GCM)—authentication and encryption
- GCM authentication (GMAC)— GCM authentication, no encryption
- No Encapsulation—no encapsulation (clear text)
- Null—encapsulation, no authentication or encryption

Feature Information for Cisco TrustSec

Table 40: Feature Information for Cisco TrustSec

Feature Name	Release	Feature Information
<ul style="list-style-type: none"> • NDAC • SXPv1, SXPv2 • SGT • SGACL Layer2 Enforcement • Interface to SGT and VLAN to SGT mapping. • Subnet to SGT mapping • Layer 3 Port Mapping (PM) • Layer 3 Identity Port Mapping (IPM) • Security Group Name Download • SXP Loop Detection • Policy-based CoA 	Cisco IOS XE 3.3SE	These features were introduced on the Catalyst 3850 and 3650 switches and the Cisco 5700 Series Wireless LAN Controllers.



Configuring Wireless Guest Access

- [Finding Feature Information, page 467](#)
- [Prerequisites for Guest Access, page 467](#)
- [Restrictions for Guest Access, page 468](#)
- [Information about Wireless Guest Access, page 468](#)
- [Fast Secure Roaming, page 468](#)
- [How to Configure Guest Access, page 469](#)
- [Configuration Examples for Guest Access, page 485](#)
- [Additional References for Guest Access, page 491](#)
- [Feature History and Information for Guest Access, page 492](#)

Finding Feature Information

Your software release may not support all the features documented in this module. For the latest caveats and feature information, see Bug Search Tool and the release notes for your platform and software release. To find information about the features documented in this module, and to see a list of the releases in which each feature is supported, see the feature information table at the end of this module.

Use Cisco Feature Navigator to find information about platform support and Cisco software image support. To access Cisco Feature Navigator, go to <http://www.cisco.com/go/cfn>. An account on Cisco.com is not required.

Prerequisites for Guest Access

- All mobility peers should be configured for hierarchical mobility architecture.
- For Guest Controller Mobility Anchor configuration on WLAN is must on Mobility Agent and Guest Controller.
- Guest Access can be a 3 box solution or 2 box solution. The mobility tunnel link status should be up between:

- Mobility Agent, Mobility Controller and Guest Controller.

or

- Mobility Agent/Mobility Controller and Guest Controller

Restrictions for Guest Access

Guest Controller functionality is not supported on the Catalyst 3850 switch whereas Catalyst 3850 can act as mobility agent.

Information about Wireless Guest Access

Ideally, the implementation of a wireless guest network uses as much of an enterprise's existing wireless and wired infrastructure as possible to avoid the cost and complexity of building a physical overlay network. Assuming this is the case, the following additional elements and functions are needed:

- A dedicated guest WLAN/SSID—Implemented throughout the campus wireless network wherever guest access is required. A guest WLAN is identified by a WLAN with mobility anchor (Guest Controller) configured.
- Guest traffic segregation—Requires implementing Layer 2 or Layer 3 techniques across the campus network to restrict where guests are allowed to go.
- Access control—Involves using imbedded access control functionality within the campus network or implementing an external platform to control guest access to the Internet from the enterprise network.
- Guest user credential management—A process by which a sponsor or lobby administrator can create temporary credentials in behalf of a guest. This function might be resident within an access control platform or it might be a component of AAA or some other management system.

Fast Secure Roaming

Fast secure roaming can be achieved by caching the Pairwise Master Key (PMK) information for Cisco Centralized Key Management (CCKM), 802.11r and 802.11i clients. Cisco Centralized Key Management (CCKM) helps to improve roaming. Only the client can initiate the roaming process, which depends on factors such as:

- Overlap between APs
- Distance between APs
- Channel, signal strength, and load on the AP
- Data rates and output power

Whenever a fast-roaming client 802.11i, [CCKM]) roams to a new device, after fast-roaming the clients go through mobility "handoff" procedure. And new AAA attributes learned through mobility "handoff" procedure get re-applied.

Full L2 authentication must be avoided during roaming if the client uses the 802.11i WPA2, CCKM, 802.11r to achieve the full requirements of fast secure roaming. The PMK cache (802.11i, CCKM, and 802.11r) is used to authenticate and derive the keys for roaming clients to avoid full L2 authentication. This requires all Mobility Anchors (MA) and Mobility Controllers (MC) in the mobility group to have the same PMK cache values.

The session timeout defines when a PMK cache will expire. A PMK cache can also be deleted when a client fails to re-authenticate or when it is manually deleted from the CLI. The deletion on the original controller or switch shall be propagated to other controllers or switches in the same mobility group.

How to Configure Guest Access

Creating a Lobby Administrator Account

SUMMARY STEPS

1. **configure terminal**
2. **user-name** *user-name*
3. **type lobby-admin**
4. **password 0** *password*
5. **end**
6. **show running-config** | **section** *user-name* (or) **show running-config** | **section** *configured lobby admin* *username*

DETAILED STEPS

	Command or Action	Purpose
Step 1	configure terminal Example: Switch # configure terminal	Enters global configuration mode.
Step 2	user-name <i>user-name</i> Example: Switch (config)# user-name lobby	Creates a user account.
Step 3	type lobby-admin Example: Switch (config-user-name)# type lobby-admin	Specifies the account type as lobby admin.
Step 4	password 0 <i>password</i> Example: Switch(config-user-name)# password 0 lobby	Creates a password for the lobby administrator account.
Step 5	end	Returns to privileged EXEC mode.

	Command or Action	Purpose
	Example: Switch (config-user-name)# end	
Step 6	show running-config section <i>user-name</i> (or) show running-config section <i>configured lobby admin username</i> Example: Switch # show running-config section lobby	Displays the configuration details.

Configuring Guest User Accounts

SUMMARY STEPS

1. **configure terminal**
2. **user-name *user-name***
3. **password *unencrypted/hidden-password password***
4. **type network-user description *description* guest-user lifetime year *0-1* month *0-11* day *0-30* hour *0-23* minute *0-59* second *0-59***
5. **end**
6. **show aaa local netuser all**
7. **show running-config | section *user-name***

DETAILED STEPS

	Command or Action	Purpose
Step 1	configure terminal Example: Switch # configure terminal	Enters global configuration mode.
Step 2	user-name <i>user-name</i> Example: Switch (config)# user-name guest	Creates a username for the lobby ambassador account.
Step 3	password <i>unencrypted/hidden-password password</i> Example: Switch (config-user-name)# password 0 guest	Specifies the password for the user.

	Command or Action	Purpose
Step 4	<p>type network-user description <i>description</i> guest-user lifetime year <i>0-1</i> month <i>0-11</i> day <i>0-30</i> hour <i>0-23</i> minute <i>0-59</i> second <i>0-59</i></p> <p>Example: Switch (config-user-name)# type network-user description guest guest-user lifetime year 1 month 10 day 3 hour 1 minute 5 second 30</p>	Specifies the type of user.
Step 5	<p>end</p> <p>Example: Switch (config-user-name)# end</p>	Returns to privileged EXEC mode.
Step 6	<p>show aaa local netuser all</p> <p>Example: Switch # show aaa local netuser all</p>	Displays the configuration details. After the lifetime, the user-name with guest type will be deleted and the client associated with the guest user-name will be de-authenticated.
Step 7	<p>show running-config section<i>user-name</i></p> <p>Example: Switch # show running-config section guest</p>	Displays the configuration details.

Configuring Mobility Agent (MA)

SUMMARY STEPS

1. **configure terminal**
2. **wireless mobility controller ip***mc-ipaddress* **public-ip** *mc-publicipaddress*
3. **wlan** *wlan-name* *wlan-id* *ssid*
4. **client vlan id***vlan-group name/vlan-id*
5. **no security wpa**
6. **mobility anchor** *ipaddress*
7. **aaa-override**
8. **no shutdown**
9. **end**
10. **show wireless mobility summary**
11. **show wlan name** *wlan-name/id*

DETAILED STEPS

	Command or Action	Purpose
Step 1	configure terminal Example: Switch # configure terminal	Enters global configuration mode.
Step 2	wireless mobility controller ipmc-ipaddress public-ip mc-publicipaddress Example: Switch (config) # wireless mobility controller ip27.0.0.1 public-ip 27.0.0.1	Configures the Mobility Controller to which the MA will be associated.
Step 3	wlan wlan-name wlan-id ssid Example: Switch (config) # wlan mywlan 34 mywlan-ssid	<ul style="list-style-type: none"> • For <i>wlan-name</i> enter, enter the profile name. The range is 1- 32 characters. • For <i>wlan-id</i>, enter the WLAN ID. The range is 1-512. • For <i>ssid</i>, enter the Service Set Identifier (SSID) for this WLAN. If the SSID is not specified, the WLAN profile name is set as the SSID.
Step 4	client vlan idvlan-group name/vlan-id Example: Switch (config-wlan) # client vlan VLAN0136	Configures the VLAN id or group of the WLAN.
Step 5	no security wpa Example: Switch (config-wlan) # no security wpa	The security configuration must be the same for the WLAN created on the GC. This example is for open authentication. For other security types such as open and webauth, appropriate command should be provided.
Step 6	mobility anchor ipaddress Example: Switch (config-wlan) # mobility anchor 9.3.32.2	Configures the Guest Controller as mobility anchor.
Step 7	aaa-override Example: Switch (config-wlan) # aaa-override	(Optional) Enables AAA override. AAA override is required for non open authentication in case AAA attributes are to be prioritized. It is required only in case guest user need to be deauthenticated after lifetime or have to give aaa-override attribute to the user.
Step 8	no shutdown Example: Switch (config-wlan) # no shutdown	Enables the WLAN.
Step 9	end	Returns to privileged EXEC mode.

	Command or Action	Purpose
	Example: Switch (config) # end	
Step 10	show wireless mobility summary Example: Switch # show wireless mobility summary	Verifies the mobility controller IP address and mobility tunnel status.
Step 11	show wlan name wlan-name/id Example: Switch # show wlan name mywlan	Displays the configuration of mobility anchor.

Configuring Mobility Controller

Mobility Controller mode should be enabled using the **wireless mobility controller** command.

SUMMARY STEPS

1. **configure terminal**
2. **wireless mobility group member ip ip-address public-ip ip-address group group-name**
3. **wireless mobility controller peer-group peer-group-name**
4. **wireless mobility controller peer-group peer-group-name member ip ipaddress public-ip ipaddress**
5. **end**
6. **show wireless mobility summary**

DETAILED STEPS

	Command or Action	Purpose
Step 1	configure terminal Example: Switch # configure terminal	Enters global configuration mode.
Step 2	wireless mobility group member ip ip-address public-ip ip-address group group-name Example: Switch (config) # wireless mobility group member ip 27.0.0.1 public-ip 23.0.0.1 group test	Adds all peers within the MC group. The <i>ip-address</i> should be the guest controller's IP address.
Step 3	wireless mobility controller peer-group peer-group-name	Creates the switch peer group.

	Command or Action	Purpose
	Example: Switch (config) # wireless mobility controller peer-group pg	
Step 4	wireless mobility controller peer-group <i>peer-group-name</i> member ip <i>ipaddress</i> public-ip <i>ipaddress</i> Example: Switch (config) # wireless mobility controller peer-group pg member ip 9.7.136.10 public-ip 9.7.136.10	Adds the MA to the switch peer group.
Step 5	end Example: Switch (config) # end	Returns to privileged EXEC mode.
Step 6	show wireless mobility summary Example: Switch # show wireless mobility summary	Displays the configuration details.

Obtaining a Web Authentication Certificate

SUMMARY STEPS

1. **configure terminal**
2. **crypto pki import** *trustpoint name pkcs12 tftp: passphrase*
3. **end**
4. **show crypto pki** *trustpoints cert*

DETAILED STEPS

	Command or Action	Purpose
Step 1	configure terminal Example: Switch # configure terminal	Enters global configuration mode.
Step 2	crypto pki import <i>trustpoint name pkcs12 tftp: passphrase</i> Example: Switch (config)# crypto pki import cert pkcs12 tftp://9.1.0.100/ldapservers-cert.p12 cisco	Imports certificate.

	Command or Action	Purpose
Step 3	end Example: Switch (config)# end	Returns to privileged EXEC mode.
Step 4	show crypto pki trustpoints cert Example: Switch # show crypto pki trustpoints cert	Displays the configuration details.

Displaying a Web Authentication Certificate

SUMMARY STEPS

1. `show crypto ca certificate verb`

DETAILED STEPS

	Command or Action	Purpose
Step 1	show crypto ca certificate verb Example: Switch # show crypto ca certificate verb	Displays the current web authentication certificate details.

Choosing the Default Web Authentication Login Page

AAA override flag should be enabled on the WLAN for web authentication using local or remote AAA server.

SUMMARY STEPS

1. **configure terminal**
2. **parameter-map type webauth** *parameter-map name*
3. **wlan** *wlan-name*
4. **shutdown**
5. **security web-auth**
6. **security web-auth authentication-list** *authentication list name*
7. **security web-auth parameter-map** *parameter-map name*
8. **no shutdown**
9. **end**
10. **show running-config** | section *wlan-name*
11. **show running-config** | section **parameter-map type webauth** *parameter-map*

DETAILED STEPS

	Command or Action	Purpose
Step 1	configure terminal Example: Switch # configure terminal	Enters global configuration mode.
Step 2	parameter-map type webauth <i>parameter-map name</i> Example: Switch (config) # parameter-map type webauth test	Configures the web-auth parameter-map.
Step 3	wlan <i>wlan-name</i> Example: Switch (config) # wlan wlan10	For the wlan-name, enter the profile name. The range is 1- 32 characters.
Step 4	shutdown Example: Switch (config) # shutdown	Disables WLAN.
Step 5	security web-auth Example: Controller (config-wlan) # security web-auth	Enables web-auth on WLAN.
Step 6	security web-auth authentication-list <i>authentication list name</i> Example: Controller (config-wlan) # security web-auth authentication-list test	Allows you to map the authentication list name with the web-auth WLAN.

	Command or Action	Purpose
Step 7	security web-auth parameter-map <i>parameter-map name</i> Example: Switch (config) # security web-auth parameter-map test	Allows you to map the parameter-map name with the web-auth WLAN.
Step 8	no shutdown Example: Switch (config) # no shutdown	Enables the WLAN.
Step 9	end Example: Switch (config) # end	Returns to privileged EXEC mode.
Step 10	show running-config section <i>wlan-name</i> Example: Switch# show running-config section mywlan	Displays the configuration details.
Step 11	show running-config section parameter-map type webauth <i>parameter-map</i> Example: Switch# show running-config section parameter-map type webauth test	Displays the configuration details.

Choosing a Customized Web Authentication Login Page from an External Web Server

AAA override flag should be enabled on the WLAN for web authentication using local or remote AAA server.

SUMMARY STEPS

1. **configure terminal**
2. **parameter-map type webauth global**
3. **virtual-ip {ipv4 | ipv6} ip-address**
4. **parameter-map type webauth** *parameter-map name*
5. **type {authbypass | consent | webauth | webconsent}**
6. **redirect [for-login|on-success|on-failure]** *URL*
7. **redirect portal {ipv4 | ipv6} ip-address**
8. **end**
9. **show running-config | section parameter-map**

DETAILED STEPS

	Command or Action	Purpose
Step 1	configure terminal Example: Switch # configure terminal	Enters global configuration mode.
Step 2	parameter-map type webauth global Example: Switch (config) # parameter-map type webauth global	Configures a global webauth type parameter.
Step 3	virtual-ip {ipv4 ipv6} ip-address Example: Switch (config-params-parameter-map) # virtual-ip ipv4 1.1.1.1	Configures the virtual IP address.
Step 4	parameter-map type webauth parameter-map name Example: Switch (config-params-parameter-map) # parameter-map type webauth test	Configures the webauth type parameter.
Step 5	type {authbypass consent webauth webconsent} Example: Switch (config-params-parameter-map) # type webauth	Configures webauth subtypes such as consent, passthru, webauth, or webconsent.
Step 6	redirect [for-login on-success on-failure] URL Example: Switch (config-params-parameter-map) # redirect for-login http://9.1.0.100/login.html	Configures the redirect URL for the log in page, success page, and failure page.
Step 7	redirect portal {ipv4 ipv6} ip-address Example: Switch (config-params-parameter-map) # redirect portal ipv4 23.0.0.1	Configures the external portal IPv4 address.
Step 8	end Example: Switch (config-params-parameter-map) # end	Returns to privileged EXEC mode.
Step 9	show running-config section parameter-map Example: Switch # show running-config section parameter-map	Displays the configuration details.

Assigning Login, Login Failure, and Logout Pages per WLAN

SUMMARY STEPS

1. **configure terminal**
2. **parameter-map type webauth** *parameter-map-name*
3. **custom-page login device** *html-filename*
4. **custom-page login expired** *html-filename*
5. **custom-page failure device** *html-filename*
6. **custom-page success device** *html-filename*
7. **end**
8. **show running-config** | section **parameter-map type webauth** *parameter-map*

DETAILED STEPS

	Command or Action	Purpose
Step 1	configure terminal Example: Switch # configure terminal	Enters global configuration mode.
Step 2	parameter-map type webauth <i>parameter-map-name</i> Example: Switch (config) # parameter-map type webauth test	Configures the webauth type parameter.
Step 3	custom-page login device <i>html-filename</i> Example: Switch (config-params-parameter-map) # custom-page login device device flash:login.html	Allows you to specify the filename for web authentication customized login page.
Step 4	custom-page login expired <i>html-filename</i> Example: Switch (config-params-parameter-map) # custom-page login expired device flash:loginexpired.html	Allows you to specify the filename for web authentication customized login expiry page.
Step 5	custom-page failure device <i>html-filename</i> Example: Switch (config-params-parameter-map) # custom-page failure device device flash:loginfail.html	Allows you to specify the filename for web authentication customized login failure page.
Step 6	custom-page success device <i>html-filename</i> Example: Switch (config-params-parameter-map) # custom-page success device device flash:loginsuccess.html	Allows you to specify the filename for web authentication customized login success page.

	Command or Action	Purpose
Step 7	end Example: Switch (config-params-parameter-map) # end	Returns to privileged EXEC mode.
Step 8	show running-config section parameter-map type webauth parameter-map Example: Switch (config) # show running-config section parameter-map type webauth test	Displays the configuration details.

Configuring AAA-Override

SUMMARY STEPS

1. **configure terminal**
2. **wlan wlan-name**
3. **aaa-override**
4. **end**
5. **show running-config | section wlan-name**

DETAILED STEPS

	Command or Action	Purpose
Step 1	configure terminal Example: Switch # configure terminal	Enters global configuration mode.
Step 2	wlan wlan-name Example: Switch (config) # wlan ramban	For <i>wlan-name</i> , enter the profile name. The range is 1- 32 characters.
Step 3	aaa-override Example: Switch (config-wlan) # aaa-override	Enables AAA override on the WLAN.
Step 4	end Example: Switch (config-wlan) # end	Returns to privileged EXEC mode.

	Command or Action	Purpose
Step 5	show running-config section <i>wlan-name</i> Example: Switch # show running-config section ramban	Displays the configuration details.

Configuring Client Load Balancing

SUMMARY STEPS

1. **configure terminal**
2. **wlan *wlan-name***
3. **shutdown**
4. **mobility anchor *ip-address1***
5. **mobility anchor *ip-address2***
6. **no shutdown wlan**
7. **end**
8. **show running-config | section *wlan-name***

DETAILED STEPS

	Command or Action	Purpose
Step 1	configure terminal Example: Switch # configure terminal	Enters global configuration mode.
Step 2	wlan <i>wlan-name</i> Example: Switch (config)# wlan ramban	For <i>wlan-name</i> , enter the profile name.
Step 3	shutdown Example: Switch (config-wlan)# shutdown	Disables WLAN.
Step 4	mobility anchor <i>ip-address1</i> Example: Switch (config-wlan) # mobility anchor 9.7.136.15	Configures a guest controller as mobility anchor.

	Command or Action	Purpose
Step 5	mobility anchor <i>ip-address2</i> Example: Switch (config-wlan) # mobility anchor 9.7.136.16	Configures a guest controller as mobility anchor.
Step 6	no shutdown wlan Example: Switch (config-wlan) # no shutdown wlan	Enables the WLAN.
Step 7	end Example: Switch (config-wlan) # end	Returns to privileged EXEC mode.
Step 8	show running-config section <i>wlan-name</i> Example: Switch # show running-config section ramban	Displays the configuration details.

Configuring Preauthentication ACL

SUMMARY STEPS

1. **configure terminal**
2. **wlan** *wlan-name*
3. **shutdown**
4. **ip access-group web** *preauthrule*
5. **no shutdown**
6. **end**
7. **show wlan name** *wlan-name*

DETAILED STEPS

	Command or Action	Purpose
Step 1	configure terminal Example: Switch# configure terminal	Enters global configuration mode.
Step 2	wlan <i>wlan-name</i> Example: Switch (config)# wlan ramban	For <i>wlan-name</i> , enter the profile name.

	Command or Action	Purpose
Step 3	shutdown Example: Switch (config-wlan)# shutdown	Disables the WLAN.
Step 4	ip access-group web <i>preauthrule</i> Example: Switch (config-wlan)# ip access-group web preauthrule	Configures ACL that has to be applied before authentication.
Step 5	no shutdown Example: Switch (config)# no shutdown	Enables the WLAN.
Step 6	end Example: Switch (config-wlan)# end	Returns to privileged EXEC mode.
Step 7	show wlan name <i>wlan-name</i> Example: Switch# show wlan name ramban	Displays the configuration details.

Configuring IOS ACL Definition

SUMMARY STEPS

1. **configure terminal**
2. **ip access-list extended *access-list number***
3. **permit udp any eq *port number* any**
4. **end**
5. **show access-lists *ACL number***

DETAILED STEPS

	Command or Action	Purpose
Step 1	configure terminal Example: Switch # configure terminal	Enters global configuration mode.
Step 2	ip access-list extended <i>access-list number</i>	Configures extended IP access-list.

	Command or Action	Purpose
	Example: Switch (config) # ip access-list extended 102	
Step 3	permit udp any eq port number any Example: Switch (config-ext-nacl) # permit udp any eq 8080 any	Configures destination host.
Step 4	end Example: Switch (config-wlan) # end	Returns to privileged EXEC mode.
Step 5	show access-lists ACL number Example: Switch # show access-lists 102	Displays the configuration details.

Configuring Webpassthrough

SUMMARY STEPS

1. **configure terminal**
2. **parameter-map type webauth *parameter-map name***
3. **type consent**
4. **end**
5. **show running-config | section parameter-map type webauth *parameter-map***

DETAILED STEPS

	Command or Action	Purpose
Step 1	configure terminal Example: Switch # configure terminal	Enters global configuration mode.
Step 2	parameter-map type webauth <i>parameter-map name</i> Example: Switch (config) # parameter-map type webauth webparalocal	Configures the webauth type parameter.
Step 3	type consent	Configures webauth type as consent.

	Command or Action	Purpose
	Example: Switch (config-params-parameter-map) # type consent	
Step 4	end Example: Switch (config-params-parameter-map) # end	Returns to privileged EXEC mode.
Step 5	show running-config section parameter-map type webauth parameter-map Example: Switch (config) # show running-config section parameter-map type webauth test	Displays the configuration details.

Configuration Examples for Guest Access

Example: Creating a Lobby Ambassador Account

This example shows how to configure a lobby ambassador account.

```
Switch# configure terminal
Switch(config)# user-name lobby
Switch(config)# type lobby-admin
Switch(config)# password 0 lobby
Switch(config)# end
Switch# show running-config | section lobby
user-name lobby
creation-time 1351118727
password 0 lobby
type lobby-admin
```

Example: Obtaining Web Authentication Certificate

This example shows how to obtain web authentication certificate.

```
Switch# configure terminal
Switch(config)# crypto pki import cert pkcs12 tftp://9.1.0.100/ldapservers-cert.p12 cisco
Switch(config)# end
Switch# show crypto pki trustpoints cert
Trustpoint cert:
Subject Name:
e=rkanna jr@cisco.com
cn=sthaliya-lnx
ou=WNBU
o=Cisco
l=SanJose
st=California
c=US
Serial Number (hex): 00
Certificate configured.
```

```

Switch# show crypto pki certificates cert
Certificate
  Status: Available
  Certificate Serial Number (hex): 04
  Certificate Usage: General Purpose
  Issuer:
    e=rkannajr@cisco.com
    cn=sthaliya-lnx
    ou=WNBU
    o=Cisco
    l=SanJose
    st=California
    c=US
  Subject:
    Name: ldapserver
    e=rkannajr@cisco.com
    cn=ldapserver
    ou=WNBU
    o=Cisco
    st=California
    c=US
  Validity Date:
    start date: 07:35:23 UTC Jan 31 2012
    end   date: 07:35:23 UTC Jan 28 2022
  Associated Trustpoints: cert ldap12
  Storage: nvram:rkannajrcisc#4.cer

CA Certificate
  Status: Available
  Certificate Serial Number (hex): 00
  Certificate Usage: General Purpose
  Issuer:
    e=rkannajr@cisco.com
    cn=sthaliya-lnx
    ou=WNBU
    o=Cisco
    l=SanJose
    st=California
    c=US
  Subject:
    e=rkannajr@cisco.com
    cn=sthaliya-lnx
    ou=WNBU
    o=Cisco
    l=SanJose
    st=California
    c=US
  Validity Date:
    start date: 07:27:56 UTC Jan 31 2012
    end   date: 07:27:56 UTC Jan 28 2022
  Associated Trustpoints: cert ldap12 ldap
  Storage: nvram:rkannajrcisc#0CA.cer

```

Example: Displaying a Web Authentication Certificate

This example shows how to display a web authentication certificate.

```

Switch# show crypto ca certificate verb
Certificate
  Status: Available
  Version: 3
  Certificate Serial Number (hex): 2A9636AC00000000858B
  Certificate Usage: General Purpose
  Issuer:
    cn=Cisco Manufacturing CA
    o=Cisco Systems
  Subject:
    Name: WS-C3780-6DS-S-2037064C0E80
    Serial Number: PID:WS-C3780-6DS-S SN:FOC1534X12Q

```

```

cn=WS-C3780-6DS-S-2037064C0E80
serialNumber=PID:WS-C3780-6DS-S SN:FOC1534X12Q
CRL Distribution Points:
http://www.cisco.com/security/pki/crl/cmca.crl
Validity Date:
start date: 15:43:22 UTC Aug 21 2011
end   date: 15:53:22 UTC Aug 21 2021
Subject Key Info:
Public Key Algorithm: rsaEncryption
RSA Public Key: (1024 bit)
Signature Algorithm: SHA1 with RSA Encryption
Fingerprint MD5: A310B856 A41565F1 1D9410B5 7284CB21
Fingerprint SHA1: 04F180F6 CA1A67AF 9D7F561A 2BB397A1 0F5EB3C9
X509v3 extensions:
X509v3 Key Usage: F0000000
    Digital Signature
    Non Repudiation
    Key Encipherment
    Data Encipherment
X509v3 Subject Key ID: B9EEB123 5A3764B4 5E9C54A7 46E6EECA 02D283F7
X509v3 Authority Key ID: D0C52226 AB4F4660 ECAE0591 C7DC5AD1 B047F76C
Authority Info Access:
Associated Trustpoints: CISCO_IDEVID_SUDI
Key Label: CISCO_IDEVID_SUDI

```

Example: Configuring Guest User Accounts

This example shows how to configure a guest user account.

```

Switch# configure terminal
Switch(config)# user-name guest
Switch(config-user-name)# password 0 guest
Switch(config-user-name)# type network-user description guest guest-user lifetime year 1
month 10 day 3 hour 1 minute 5 second 30
Switch(config-user-name)# end
Switch# show aaa local netuser all
User-Name          : guest
Type               : guest
Password           : guest
Is_passwd_encrypted : No
Descriptio        : guest
Attribute-List     : Not-Configured
First-Login-Time   : Not-Logged-In
Num-Login          : 0
Lifetime           : 1 years 10 months 3 days 1 hours 5 mins 30 secs
Start-Time         : 20:47:37 chennai Dec 21 2012

```

Example: Configuring Mobility Controller

This example shows how to configure a mobility controller.

```

Switch# configure terminal
Switch(config)# wireless mobility group member ip 27.0.0.1 public-ip 23.0.0.1 group test
Switch(config)# wireless mobility controller peer-group pg
Switch(config)# wireless mobility controller peer-group pg member ip 9.7.136.10 public-ip
9.7.136.10
Switch(config)# end
Switch# show wireless mobility summary

Mobility Controller Summary:

Mobility Role          : Mobility Controller
Mobility Protocol Port : 16666
Mobility Group Name    : default
Mobility Oracle        : Enabled

```

Example: Choosing the Default Web Authentication Login Page

```

DTLS Mode : Enabled
Mobility Domain ID for 802.11r : 0xac34
Mobility Keepalive Interval : 10
Mobility Keepalive Count : 3
Mobility Control Message DSCP Value : 7
Mobility Domain Member Count : 3

```

Link Status is Control Link Status : Data Link Status

Controllers configured in the Mobility Domain:

IP	Public IP	Group Name	Multicast IP	Link Status
9.9.9.2	-	default	0.0.0.0	UP : UP
12.12.11.11	12.13.12.12	rasagna-grp		DOWN : DOWN
27.0.0.1	23.0.0.1	test		DOWN : DOWN

```

Switch Peer Group Name : spg1
Switch Peer Group Member Count : 0
Bridge Domain ID : 0
Multicast IP Address : 0.0.0.0

```

```

Switch Peer Group Name : pg
Switch Peer Group Member Count : 1
Bridge Domain ID : 0
Multicast IP Address : 0.0.0.0

```

IP	Public IP	Link Status
9.7.136.10	9.7.136.10	DOWN : DOWN

Example: Choosing the Default Web Authentication Login Page

This example shows how to choose a default web authentication login page.

```

Switch# configure terminal
Switch(config)# parameter-map type webauth test
This operation will permanently convert all relevant authentication commands to their CPL
control-policy equivalents. As this conversion is irreversible and will
disable the conversion CLI 'authentication display [legacy|new-style]', you are strongly
advised to back up your current configuration before proceeding.
Do you wish to continue? [yes]: yes
Switch(config)# wlan wlan50
Switch(config-wlan)# shutdown
Switch(config-wlan)# security web-auth authentication-list test
Switch(config-wlan)# security web-auth parameter-map test
Switch(config-wlan)# no shutdown
Switch(config-wlan)# end
Switch# show running-config | section wlan50
wlan wlan50 50 wlan50
 security wpa akm cckm
 security wpa wpa1
 security wpa wpa1 ciphers aes
 security wpa wpa1 ciphers tkip
 security web-auth authentication-list test
 security web-auth parameter-map test
 session-timeout 1800
 no shutdown

Switch# show running-config | section parameter-map type webauth test
parameter-map type webauth test
 type webauth

```

Example: Choosing a Customized Web Authentication Login Page from an External Web Server

This example shows how to choose a customized web authentication login page from an external web server.

```
Switch# configure terminal
Switch(config)# parameter-map type webauth global
Switch(config-params-parameter-map)# virtual-ip ipv4 1.1.1.1
Switch(config-params-parameter-map)# parameter-map type webauth test
Switch(config-params-parameter-map)# type webauth
Switch(config-params-parameter-map)# redirect for-login http://9.1.0.100/login.html
Switch(config-params-parameter-map)# redirect portal ipv4 23.0.0.1
Switch(config-params-parameter-map)# end
Switch# show running-config | section parameter-map
parameter-map type webauth global
virtual-ip ipv4 1.1.1.1
parameter-map type webauth test
type webauth
redirect for-login http://9.1.0.100/login.html
redirect portal ipv4 23.0.0.1
security web-auth parameter-map rasagna-auth-map
security web-auth parameter-map test
```

Example: Assigning Login, Login Failure, and Logout Pages per WLAN

This example shows how to assign login, login failure and logout pages per WLAN.

```
Switch# configure terminal
Switch(config)# parameter-map type webauth test
Switch(config-params-parameter-map)# custom-page login device flash:loginsantosh.html
Switch(config-params-parameter-map)# custom-page login expired device flash:loginexpire.html
Switch(config-params-parameter-map)# custom-page failure device flash:loginfail.html
Switch(config-params-parameter-map)# custom-page success device flash:loginsuccess.html
Switch(config-params-parameter-map)# end
Switch# show running-config | section parameter-map type webauth test
parameter-map type webauth test
type webauth
redirect for-login http://9.1.0.100/login.html
redirect portal ipv4 23.0.0.1
custom-page login device flash:loginsantosh.html
custom-page success device flash:loginsuccess.html
custom-page failure device flash:loginfail.html
custom-page login expired device flash:loginexpire.html
```

Example: Configuring AAA-Override

This example shows how to configure aaa-override.

```
Switch# configure terminal
Switch(config)# wlan fff
Switch(config-wlan)# aaa-override
Switch(config-wlan)# end
Switch# show running-config | section fff
wlan fff 44 fff
aaa-override
shutdown
```

Example: Configuring Client Load Balancing

This example shows how to configure client load balancing.

```
Switch# configure terminal
Switch(config)# wlan fff
Switch(config-wlan)# shutdown
Switch(config-wlan)# mobility anchor 9.7.136.15
Switch(config-wlan)# mobility anchor 9.7.136.16
Switch(config-wlan)# no shutdown wlan
Switch(config-wlan)# end
Switch# show running-config | section fff
wlan fff 44 fff
  aaa-override
  shutdown
```

Example: Configuring Preauthentication ACL

This example shows how to configure preauthentication ACL.

```
Switch# configure terminal
Switch(config)# wlan fff
Switch(config-wlan)# shutdown
Switch(config-wlan)# ip access-group web preauthrule
Switch(config-wlan)# no shutdown
Switch(config-wlan)# end
Switch# show wlan name fff
```

Example: Configuring IOS ACL Definition

This example shows how to configure IOS ACL definition.

```
Switch# configure terminal
Switch(config)# ip access-list extended 102
Switch(config-ext-nacl)# permit udp any eq 8080 any
Switch(config-ext-nacl)# end
Switch# show access-lists 102
Extended IP access list 102
  10 permit udp any eq 8080 any
```

Example: Configuring Webpassthrough

This example shows how to configure webpassthrough.

```
Switch# configure terminal
Switch(config)# parameter-map type webauth webparalocal
Switch(config-params-parameter-map)# type consent
Switch(config-params-parameter-map)# end
Switch# show running-config | section parameter-map type webauth test
parameter-map type webauth test
  type webauth
  redirect for-login http://9.1.0.100/login.html
  redirect portal ipv4 23.0.0.1
```


Additional References for Guest Access

Related Documents

Related Topic	Document Title
Mobility CLI commands	<i>Mobility Command Reference, Cisco IOS XE 3SE (Cisco WLC 5700 Series)</i>
Mobility configuration	<i>Mobility Configuration Guide, Cisco IOS XE 3SE (Cisco WLC 5700 Series)</i>
Security CLI commands	<i>Security Command Reference, Cisco IOS Release 3SE (Cisco WLC 5700 Series)</i>
Configuring web-based authentication on the Catalyst 5700 Series Wireless Controller	<i>Security Configuration Guide, Cisco IOS Release 3SE (Cisco WLC 5700 Series)</i>
Wired guest access configuration and commands	<i>Identity Based Networking Services</i>

Standards and RFCs

Standard/RFC	Title
None	-

MIBs

MIB	MIBs Link
None	To locate and download MIBs for selected platforms, Cisco software releases, and feature sets, use Cisco MIB Locator found at the following URL: http://www.cisco.com/go/mibs

Technical Assistance

Description	Link
<p>The Cisco Support website provides extensive online resources, including documentation and tools for troubleshooting and resolving technical issues with Cisco products and technologies.</p> <p>To receive security and technical information about your products, you can subscribe to various services, such as the Product Alert Tool (accessed from Field Notices), the Cisco Technical Services Newsletter, and Really Simple Syndication (RSS) Feeds.</p> <p>Access to most tools on the Cisco Support website requires a Cisco.com user ID and password.</p>	<p>http://www.cisco.com/support</p>

Feature History and Information for Guest Access

Releases	Feature Information
Cisco IOS XE Release 3.2SE	This feature was introduced.



Managing Rogue Devices

- [Finding Feature Information, page 493](#)
- [Information About Rogue Devices, page 493](#)
- [How to Configure Rogue Detection, page 498](#)
- [Monitoring Rogue Detection, page 500](#)
- [Examples: Rogue Detection Configuration, page 501](#)
- [Additional References for Rogue Detection, page 501](#)
- [Feature History and Information For Performing Rogue Detection Configuration, page 502](#)

Finding Feature Information

Your software release may not support all the features documented in this module. For the latest caveats and feature information, see Bug Search Tool and the release notes for your platform and software release. To find information about the features documented in this module, and to see a list of the releases in which each feature is supported, see the feature information table at the end of this module.

Use Cisco Feature Navigator to find information about platform support and Cisco software image support. To access Cisco Feature Navigator, go to <http://www.cisco.com/go/cfn>. An account on Cisco.com is not required.

Information About Rogue Devices

Rogue access points can disrupt wireless LAN operations by hijacking legitimate clients and using plain-text or other denial-of-service or man-in-the-middle attacks. That is, a hacker can use a rogue access point to capture sensitive information, such as usernames and passwords. The hacker can then transmit a series of Clear to Send (CTS) frames. This action mimics an access point, informing a particular client to transmit, and instructing all the other clients to wait, which results in legitimate clients being unable to access network resources. Wireless LAN service providers have a strong interest in banning rogue access points from the air space.

Because rogue access points are inexpensive and readily available, employees sometimes plug unauthorized rogue access points into existing LANs and build ad hoc wireless networks without their IT department's

knowledge or consent. These rogue access points can be a serious breach of network security because they can be plugged into a network port behind the corporate firewall. Because employees generally do not enable any security settings on the rogue access point, it is easy for unauthorized users to use the access point to intercept network traffic and hijack client sessions. Even more alarming, wireless users frequently publish unsecured access point locations, increasing the odds of having enterprise security breached.

The following are some guidelines to manage rogue devices:

- The containment frames are sent immediately after the authorization and associations are detected. The enhanced containment algorithm provides more effective containment of ad hoc clients.
- The local mode access points are designed to serve associated clients. These access points spend relatively less time performing off-channel scanning: about 50 milliseconds on each channel. If you want to perform high rogue detection, a monitor mode access point must be used. Alternatively, you can reduce the scan intervals from 180 seconds to a lesser value, for example, 120 or 60 seconds, ensuring that the radio goes off-channel more frequently, which improves the chances of rogue detection. However, the access point will still spend about 50 milliseconds on each channel.
- Rogue detection is disabled by default for OfficeExtend access points because these access points, which are deployed in a home environment, are likely to detect a large number of rogue devices.
- Client card implementations might mitigate the effectiveness of ad hoc containment.
- It is possible to classify and report rogue access points through the use of rogue states and user-defined classification rules that enable rogues to automatically move between states.
- Each controller limits the number of rogue containment to three per radio (or six per radio for access points in the monitor mode).
- Rogue Location Discovery Protocol (RLDP) detects rogue access points that are configured for open authentication.
- RLDP detects rogue access points that use a broadcast Basic Service Set Identifier (BSSID), that is, the access point broadcasts its Service Set Identifier in beacons.
- RLDP detects only those rogue access points that are on the same network. If an access list in the network prevents the sending of RLDP traffic from the rogue access point to the controller, RLDP does not work.
- RLDP does not work on 5-GHz dynamic frequency selection (DFS) channels. However, RLDP works when the managed access point is in the monitor mode on a DFS channel.
- If RLDP is enabled on mesh APs, and the APs perform RLDP tasks, the mesh APs are dissociated from the controller. The workaround is to disable RLDP on mesh APs.
- If RLDP is enabled on nonmonitor APs, client connectivity outages occur when RLDP is in process.
- If the rogue is manually contained, the rogue entry is retained even after the rogue expires.
- If the rogue is contained by any other means, such as auto, rule, and AwIPS preventions, the rogue entry is deleted when it expires.
- The controller will request to AAA server for rogue client validation only once. As a result, if rogue client validation fails on the first attempt then the rogue client will not be detected as a threat any more. To avoid this, add the valid client entries in the authentication server before enabling **Validate Rogue Clients Against AAA**.
- In the 7.4 and earlier releases, if a rogue that was already classified by a rule was not reclassified. In the 7.5 release, this behavior is enhanced to allow reclassification of rogues based on the priority of the rogue rule. The priority is determined by using the rogue report that is received by the controller.

- The rogue detector AP fails to co-relate and contain the wired rogue AP on a 5Mhz channel because the MAC address of the rogue AP for WLAN, LAN, 11a radio and 11bg radio are configured with a difference of +/-1 of the rogue BSSID. In the 8.0 release, this behavior is enhanced by increasing the range of MAC address, that the rogue detector AP co-relates the wired ARP MAC and rogue BSSID, by +/-3.
- The rogue access points with open authentication can be detected on wire. The NAT wired or rogue wired detection is not supported in by WLC (both RLDP and rogue detector AP). The non-adjacent MAC address is supported by rogue detector mode of AP and not by RLDP.
- In a High Availability scenario, if the rogue detection security level is set to either High or Critical, the rogue timer on the standby Cisco WLC starts only after the rogue detection pending stabilization time, which is 300 seconds. Therefore, the active configurations on the standby Cisco WLC are reflected only after 300 seconds.



Note A rogue AP or client or adhoc containment configuration is not saved after the reload. You have to configure all the rogues again after the reload.



Note No separate command exists for controlling rogue client traps. However, you can enable or disable rogue client traps using the **config trapflags rogueap {enable | disable}** command, which is also used for rogue APs. In GUI configuration also, you should use the rogue AP flag under **Management->SNMP->TrapControl->Security->Rogue AP** to control rogue clients.

Rogue Location Discovery Protocol

Rogue Location Discovery Protocol (RLDP) is an active approach, which is used when rogue AP has no authentication (Open Authentication) configured. This mode, which is disabled by default, instructs an active AP to move to the rogue channel and connect to the rogue as a client. During this time, the active AP sends de-authentication messages to all connected clients and then shuts down the radio interface. Then, it associates to the rogue AP as a client. The AP then tries to obtain an IP address from the rogue AP and forwards a User Datagram Protocol (UDP) packet (port 6352) that contains the local AP and rogue connection information to the controller through the rogue AP. If the controller receives this packet, the alarm is set to notify the network administrator that a rogue AP was discovered on the wired network with the RLDP feature.

RLDP has 100 % accuracy in rogue AP detection. It detects Open APs and NAT APs.



Note Use the **debug dot11 rldp enable** command in order to check if the Lightweight AP associates and receives a DHCP address from the rogue AP. This command also displays the UDP packet sent by the Lightweight AP to the controller.

A sample of a UDP (destination port 6352) packet sent by the Lightweight AP is shown here: 0020 0a 01 01 0d 0a 01(*..... 0030 01 1e 00 07 85 92 78 01 00 00 00 00 00 00 00x..... 0040 00 00 00 00 00 00 00 00 00

The first 5 bytes of the data contain the DHCP address given to the local mode AP by the rogue AP. The next 5 bytes are the IP address of the controller, followed by 6 bytes that represent the rogue AP MAC address. Then, there are 18 bytes of zeroes.

Steps of how RLDP works are listed here:

- 1 Identify the closest Unified AP to the rogue using signal strength values.
- 2 The AP then connects to the rogue as a WLAN client, attempting three associations before timing out.
- 3 If association is successful, the AP then uses DHCP to obtain an IP address.
- 4 If an IP address was obtained, the AP (acting as a WLAN client) sends a UDP packet to each of the controller's IP addresses.
- 5 If the controller receives even one of the RLDP packets from the client, that rogue is marked as on-wire with a severity of critical.

**Note**

The RLDP packets are unable to reach the controller if filtering rules are placed between the controller's network and the network where the rogue device is located.

Caveats of RLDP:

- RLDP only works with open rogue APs broadcasting their SSID with authentication and encryption disabled.
- RLDP requires that the Managed AP acting as a client is able to obtain an IP address via DHCP on the rogue network.
- Manual RLDP can be used to attempt an RLDP trace on a rogue multiple number of times.
- During RLDP process, the AP is unable to serve clients. This negatively impacts performance and connectivity for local mode APs. To avoid this case, RLDP can be selectively enabled for Monitor Mode AP only.
- RLDP does not attempt to connect to a rogue AP operating in a 5GHz DFS channel.

**Note**

RLDP is not supported for use with Cisco autonomous rogue access points. These access points drop the DHCP Discover request sent by the RLDP client. Also, RLDP is not supported if the rogue access point channel requires dynamic frequency selection (DFS). If the automatic RLDP attempt does not detect the rogue (due to a noisy RF environment, for example), the controller does not retry. However, you can initiate RLDP manually on a rogue device.

Detecting Rogue Devices

The controller continuously monitors all the nearby access points and automatically discovers and collects information on rogue access points and clients. When the controller discovers a rogue access point, it uses the Rogue Location Discovery Protocol (RLDP) and the rogue detector mode access point is connected to determine if the rogue is attached to your network.

Controller initiates RLDP on rogue devices that have open authenticated and configured. If RLDP uses Flexconnect or local mode access points, then clients are disconnected for that moment. After the RLDP cycle, the clients are reconnected to the access points. As and when rogue access points are seen (auto-configuration), the RLDP process is initiated.

You can configure the controller to use RLDP on all the access points or only on the access points configured for the monitor (listen-only) mode. The latter option facilitates automated rogue access point detection in a crowded radio frequency (RF) space, allowing monitoring without creating unnecessary interference and

without affecting the regular data access point functionality. If you configure the controller to use RLDP on all the access points, the controller always chooses the monitor access point for RLDP operation if a monitor access point and a local (data) access point are both nearby. If RLDP determines that the rogue is on your network, you can choose to contain the detected rogue either manually or automatically.

RLDP detects on wire presence of the rogue access points that are configured with open authentication only once, which is the default retry configuration. Retries can be configured using the **config rogue ap rldp retries** command.

You can initiate or trigger RLDP from controller in three ways:

- 1 Schedule RLDP from the controller CLI. The equivalent GUI option for scheduling RLDP is not supported.
config rogue ap rldp schedule
- 2 Enter the RLDP initiation command manually from the controller CLI. The equivalent GUI option for initiating RLDP is not supported.
config rogue ap rldp initiate *mac-address*
- 3 Schedule RLDP from the controller CLI. The equivalent GUI option for scheduling RLDP is not supported.
config rogue ap rldp schedule
- 4 Auto RLDP. You can configure auto RLDP on controller either from controller CLI or GUI but keep in mind the following guidelines:
 - The auto RLDP option can be configured only when the rogue detection security level is set to custom.
 - Either auto RLDP or schedule of RLDP can be enabled at a time.

A rogue access point is moved to a contained state either automatically or manually. The controller selects the best available access point for containment and pushes the information to the access point. The access point stores the list of containments per radio. For auto containment, you can configure the controller to use only the monitor mode access point. The containment operation occurs in the following two ways:

- The container access point goes through the list of containments periodically and sends unicast containment frames. For rogue access point containment, the frames are sent only if a rogue client is associated.
- Whenever a contained rogue activity is detected, containment frames are transmitted.

Individual rogue containment involves sending a sequence of unicast disassociation and deauthentication frames.

Cisco Prime Infrastructure Interaction and Rogue Detection

Cisco Prime Infrastructure supports rule-based classification and uses the classification rules configured on the controller. The controller sends traps to Cisco Prime Infrastructure after the following events:

- If an unknown access point moves to the Friendly state for the first time, the controller sends a trap to Cisco Prime Infrastructure only if the rogue state is Alert. It does not send a trap if the rogue state is Internal or External.
- If a rogue entry is removed after the timeout expires, the controller sends a trap to Cisco Prime Infrastructure for rogue access points categorized as Malicious (Alert, Threat) or Unclassified (Alert).

The controller does not remove rogue entries with the following rogue states: Contained, Contained Pending, Internal, and External.

How to Configure Rogue Detection

Configuring Rogue Detection (CLI)

SUMMARY STEPS

1. `configure terminal`
2. `wireless wps rogue detection min-rssi rssi in dBm`
3. `wireless wps rogue detection min-transient-time time in seconds`
4. `end`

DETAILED STEPS

	Command or Action	Purpose
Step 1	<p><code>configure terminal</code></p> <p>Example: Switch# <code>configure terminal</code></p>	Enters global configuration mode.
Step 2	<p><code>wireless wps rogue detection min-rssi rssi in dBm</code></p> <p>Example: Switch(config)# <code>wireless wps rogue detection min-rssi 100</code></p>	<p>Specify the minimum RSSI value that rogues should have for APs to detect and for rogue entry to be created in the switch.</p> <p>Valid range for the rssi in dBm parameter is -128 dBm to -70 dBm, and the default value is -128 dBm.</p> <p>Note This feature is applicable to all the AP modes. There can be many rogues with very weak RSSI values that do not provide any valuable information in rogue analysis. Therefore, you can use this option to filter rogues by specifying the minimum RSSI value at which APs should detect rogues.</p>
Step 3	<p><code>wireless wps rogue detection min-transient-time time in seconds</code></p> <p>Example: Switch(config)# <code>wireless wps rogue detection min-transient-time</code></p>	<p>Specify the time interval at which rogues have to be consistently scanned for by APs after the first time the rogues are scanned.</p> <p>Valid range for the time in sec parameter is 120 seconds to 1800 seconds, and the default value is 0.</p>

	Command or Action	Purpose
		<p>Note This feature is applicable to APs that are in monitor mode only.</p> <p>Using the transient interval values, you can control the time interval at which APs should scan for rogues. APs can also filter the rogues based on their transient interval values.</p> <p>This feature has the following advantages:</p> <ul style="list-style-type: none"> • Rogue reports from APs to the controller are shorter • Transient rogue entries are avoided in the controller • Unnecessary memory allocation for transient rogues are avoided
Step 4	<p>end</p> <p>Example: Switch(config)# end</p>	Returns to privileged EXEC mode. Alternatively, you can also press Ctrl-Z to exit global configuration mode.

Configuring Rogue Detection (GUI)

- Step 1** Make sure that rogue detection is enabled on the corresponding access points. Rogue detection is enabled by default for all access points joined to the controller (except for OfficeExtend access points). However, you can enable or disable rogue detection for individual access point by choosing **Configuration > Wireless > Access Policies > All APs** to open Edit AP page, selecting or unselecting the **Rogue Detector** check box in the General area of the Edit AP page.
- Step 2** Choose **Configuration > Security > Wireless Protection Policies > Rogue Policies**. The **Rogue Policies** page is displayed.
- Step 3** Choose one of the following options from the **Rogue Location Discovery Protocol** drop-down list:
- **Disable**—Disables RLDP on all the access points. This is the default value.
 - **All APs**—Enables RLDP on all the access points.
 - **Monitor Mode APs**—Enables RLDP only on the access points in the monitor mode.
- Step 4** In the **Expiration Timeout for Rogue AP and Rogue Client Entries** text box, enter the number of seconds after which the rogue access point and client entries expire and are removed from the list. The valid range is 240 to 3600 seconds, and the default value is 1200 seconds.
- Note** If a rogue access point or client entry times out, it is removed from the controller only if its rogue state is Alert or Threat for any classification type.

- Step 5** To use the AAA server or local database to validate if rogue clients are valid clients, select the **Validate Rogue Clients Against AAA** check box. By default, the check box is unselected.
- Step 6** If necessary, select the **Detect and Report Adhoc Networks** check box to enable adhoc rogue detection and reporting. By default, the check box is selected.
- Step 7** In the **Rogue Detection Report Interval** text box, enter the time interval, in seconds, at which APs should send the rogue detection report to the controller. The valid range is 10 seconds to 300 seconds, and the default value is 10 seconds.
- Step 8** If you want the controller to automatically contain certain rogue devices, enable the following parameters. By default, these parameters are in disabled state.
- Caution** When you select any of the Auto Contain parameters and click **Apply**, the following message is displayed: “Using this feature may have legal consequences. Do you want to continue?” The 2.4-GHz and 5-GHz frequencies in the Industrial, Scientific, and Medical (ISM) band are open to the public and can be used without a license. As such, containing devices on another party’s network could have legal consequences.
- **Auto Containment Level**—Set the auto containment level. By default, the auto containment level is set to 1.
 - **Auto Containment only for Monitor mode APs**—Configure the monitor mode access points for auto-containment.
 - **Rogue on Wire**—Configure the auto containment of rogues that are detected on the wired network.
 - **Using Our SSID**—Configure the auto containment of rogues that are advertising your network’s SSID. If you leave this parameter unselected, the controller only generates an alarm when such a rogue is detected.
 - **Valid Client on Rogue AP**—Configure the auto containment of a rogue access point to which trusted clients are associated. If you leave this parameter unselected, the controller only generates an alarm when such a rogue is detected.
 - **Adhoc Rogue AP**—Configure the auto containment of adhoc networks detected by the controller. If you leave this parameter unselected, the controller only generates an alarm when such a network is detected.
- Step 9** Click **Apply**.
- Step 10** Click **Save Configuration**.

Monitoring Rogue Detection

This section describes the new command for rogue detection.

The following command can be used to monitor rogue detection on the switch.

Table 41: Monitoring Rogue Detection Command

Command	Purpose
show wireless wps rogue ap summary	Displays a list of all rogue access points detected by the switch.
show wireless wps rogue client detailed <i>client-mac</i>	Displays detailed information for a specific rogue client.

Examples: Rogue Detection Configuration

This example shows how to configure the minimum RSSI that a detected rogue AP needs to be at, to have an entry created at the switch:

```
Switch# configure terminal
Switch(config)# wireless wps rogue detection min-rssi -100
Switch(config)# end
Switch# show wireless wps rogue client detailed/show wireless wps rogue ap summary
```

This example shows how to configure the classification interval:

```
Switch# configure terminal
Switch(config)# wireless wps rogue detection min-transient-time 500
Switch(config)# end
Switch# show wireless wps rogue client detailed/show wireless wps rogue ap summary
```

Additional References for Rogue Detection

Related Documents

Related Topic	Document Title
Security commands	<i>Security Command Reference Guide, Cisco IOS XE Release 3SE (Cisco WLC 5700 Series)</i>

Standards and RFCs

Standard/RFC	Title
None	—

MIBs

MIB	MIBs Link
All supported MIBs for this release.	To locate and download MIBs for selected platforms, Cisco IOS releases, and feature sets, use Cisco MIB Locator found at the following URL: http://www.cisco.com/go/mibs

Technical Assistance

Description	Link
<p>The Cisco Support website provides extensive online resources, including documentation and tools for troubleshooting and resolving technical issues with Cisco products and technologies.</p> <p>To receive security and technical information about your products, you can subscribe to various services, such as the Product Alert Tool (accessed from Field Notices), the Cisco Technical Services Newsletter, and Really Simple Syndication (RSS) Feeds.</p> <p>Access to most tools on the Cisco Support website requires a Cisco.com user ID and password.</p>	<p>http://www.cisco.com/support</p>

Feature History and Information For Performing Rogue Detection Configuration

Release	Feature Information
Cisco IOS XE 3.3SE	This feature was introduced.
Cisco IOS XE 3E	Rogue validation against MSE.



CHAPTER 23

Classifying Rogue Access Points

- [Finding Feature Information, page 503](#)
- [Information About Classifying Rogue Access Points, page 503](#)
- [Restrictions on Classifying Rogue Access Points, page 506](#)
- [How to Classify Rogue Access Points, page 507](#)
- [Viewing and Classifying Rogue Devices \(GUI\) , page 512](#)
- [Examples: Classifying Rogue Access Points, page 514](#)
- [Additional References for Classifying Rogue Access Points, page 514](#)
- [Feature History and Information For Classifying Rogue Access Points, page 515](#)

Finding Feature Information

Your software release may not support all the features documented in this module. For the latest caveats and feature information, see Bug Search Tool and the release notes for your platform and software release. To find information about the features documented in this module, and to see a list of the releases in which each feature is supported, see the feature information table at the end of this module.

Use Cisco Feature Navigator to find information about platform support and Cisco software image support. To access Cisco Feature Navigator, go to <http://www.cisco.com/go/cfn>. An account on Cisco.com is not required.

Information About Classifying Rogue Access Points

The controller software enables you to create rules that can organize and display rogue access points as Friendly, Malicious, or Unclassified.

By default, none of the classification rules are enabled. Therefore, all unknown access points are categorized as Unclassified. When you create a rule, configure conditions for it, and enable the rule, the unclassified access points are reclassified. Whenever you change a rule, it is applied to all access points (friendly, malicious, and unclassified) in the Alert state only.

If you move any rogue or ad hoc rogue manually to unclassified and Alert state, it means that the rogue is moved to the default state. Rogue rules apply to all the rogues that are manually moved to unclassified and Alert state.



Note Rule-based rogue classification does not apply to ad hoc rogues and rogue clients.



Note You can configure up to 64 rogue classification rules per controller.

When the controller receives a rogue report from one of its managed access points, it responds as follows:

- 1 The controller verifies that the unknown access point is in the friendly MAC address list. If it is, the controller classifies the access point as Friendly.
- 2 If the unknown access point is not in the friendly MAC address list, the controller starts applying rogue classification rules.
- 3 If the rogue is already classified as Malicious, Alert or Friendly, Internal or External, the controller does not reclassify it automatically. If the rogue is classified differently, the controller reclassifies it automatically only if the rogue is in the Alert state.
- 4 The controller applies the first rule based on priority. If the rogue access point matches the criteria specified by the rule, the controller classifies the rogue according to the classification type configured for the rule.
- 5 If the rogue access point does not match any of the configured rules, the controller classifies the rogue as Unclassified.
- 6 The controller repeats the previous steps for all rogue access points.
- 7 If RLDP determines that the rogue access point is on the network, the controller marks the rogue state as Threat and classifies it as Malicious automatically, even if no rules are configured. You can then manually contain the rogue (unless you have configured RLDP to automatically contain the rogue), which would change the rogue state to Contained. If the rogue access point is not on the network, the controller marks the rogue state as Alert, and you can manually contain the rogue.
- 8 If desired, you can manually move the access point to a different classification type and rogue state.

Table 42: Classification Mapping

Rule-Based Classification Type	Rogue States
Friendly	<ul style="list-style-type: none"> • Internal—If the unknown access point is inside the network and poses no threat to WLAN security, you would manually configure it as Friendly, Internal. An example is the access points in your lab network. • External—If the unknown access point is outside the network and poses no threat to WLAN security, you would manually configure it as Friendly, External. An example is an access point that belongs to a neighboring coffee shop. • Alert—The unknown access point is moved to Alert if it is not in the neighbor list or in the user-configured friendly MAC list.

Rule-Based Classification Type	Rogue States
Malicious	<ul style="list-style-type: none"> • Alert—The unknown access point is moved to Alert if it is not in the neighbor list or in the user-configured friendly MAC list. • Threat—The unknown access point is found to be on the network and poses a threat to WLAN security. • Contained—The unknown access point is contained. • Contained Pending—The unknown access point is marked Contained, but the action is delayed due to unavailable resources.
Unclassified	<ul style="list-style-type: none"> • Pending—On first detection, the unknown access point is put in the Pending state for 3 minutes. During this time, the managed access points determine if the unknown access point is a neighbor access point. • Alert—The unknown access point is moved to Alert if it is not in the neighbor list or in the user-configured friendly MAC list. • Contained—The unknown access point is contained. • Contained Pending—The unknown access point is marked Contained, but the action is delayed due to unavailable resources.

The classification and state of the rogue access points are configured as follows:

- From Known to Friendly, Internal
- From Acknowledged to Friendly, External
- From Contained to Malicious, Contained

As mentioned previously, the controller can automatically change the classification type and rogue state of an unknown access point based on user-defined rules, or you can manually move the unknown access point to a different classification type and rogue state.

Table 43: Allowable Classification Type and Rogue State Transitions

From	To
Friendly (Internal, External, Alert)	Malicious (Alert)
Friendly (Internal, External, Alert)	Unclassified (Alert)
Friendly (Alert)	Friendly (Internal, External)
Malicious (Alert, Threat)	Friendly (Internal, External)
Malicious (Contained, Contained Pending)	Malicious (Alert)
Unclassified (Alert, Threat)	Friendly (Internal, External)

From	To
Unclassified (Contained, Contained Pending)	Unclassified (Alert)
Unclassified (Alert)	Malicious (Alert)

If the rogue state is Contained, you have to uncontain the rogue access point before you can change the classification type. If you want to move a rogue access point from Malicious to Unclassified, you must delete the access point and allow the controller to reclassify it.

Restrictions on Classifying Rogue Access Points

The following rules apply to this feature:

- Classifying Custom type rogues is tied to rogue rules. Therefore, it is not possible to manually classify a rogue as Custom. Custom class change can occur only using rogue rules.
- There are traps that are sent for containment by rule and for every 30 minutes for rogue classification change. For custom classification, the first trap does not contain the severity score because the trap has existed before the custom classification. The severity score is obtained from the subsequent trap that is generated after 30 minutes if the rogue is classified.
- Rogue rules are applied on every incoming new rogue report in the controller in the order of their priority.
- Once a rogue satisfies a higher priority rule and classified, it does not move down the priority list for the same report.
- Previously classified rogue gets re-classified on every new rogue report with the following restrictions:
 - Rogues which are classified as friendly by rule and whose state is set to ALERT, go through re-classification on receiving the new rogue report.
 - If a rogue is classified as friendly by the administrator manually, then the state is INTERNAL and it does not get re-classified on successive rogue reports.
 - If rogue is classified as malicious, irrespective of the state it does not get re-classified on subsequent rogue reports.
- Transition of the rogue's state from friendly to malicious is possible by multiple rogue rules if some attribute is missing in new rogue report.
- Transition of the rogue's state from malicious to any other classification is not possible by any rogue rule.
- If a rogue AP is classified as friendly, it means that the rogue AP exists in the vicinity, is a known AP, and need not be tracked. Therefore, all the rogue clients are either deleted or not tracked if they are associated with the friendly rogue AP.
- When service set identifiers (SSIDs) are defined as part of a rogue rule, and details of the rogue rule are displayed using the **show wireless wps rogue rule detailed** command, the output differs in Cisco IOS XE Release 3.7E and prior releases and Cisco IOS XE Denali 16.1.1 and later releases.

The following is sample output from the **show wireless wps rogue rule detailed** command in Cisco IOS XE Release 3.6E and prior releases:

```
Switch# show wireless wps rogue rule detailed test

Priority                               : 1
Rule Name                              : wpstest
State                                  : Disabled
Type                                    : Pending
Match Operation                         : Any
Hit Count                               : 0
Total Conditions                        : 1
Condition :
  type                                  : Ssid
  SSID Count                            : 2
  SSID 1                                : ssid1
  SSID 2                                : ssid2
```

The following is sample output from the **show wireless wps rogue rule detailed** command in Cisco IOS XE Denali 16.1.1 and later releases:

```
Switch# show wireless wps rogue rule detailed test

Priority                               : 1
Rule Name                              : wpstest
State                                  : Disabled
Type                                    : Pending
Match Operation                         : Any
Hit Count                               : 0
Total Conditions                        : 1
Condition :
  type                                  : Ssid
  SSID Count                            : 2
  SSID                                  : ssid1
  SSID                                  : ssid2
```

How to Classify Rogue Access Points

Configuring Rogue Classification Rules (CLI)

SUMMARY STEPS

1. **configure terminal**
2. **wireless wps rogue rule** *rule-name* **priority** *priority*
3. **classify** {friendly | malicious}
4. **condition** {client-count | duration | encryption | infrastructure | rssi | ssid}
5. **match** {all | any}
6. **default**
7. **exit**
8. **shutdown**
9. **end**
10. **configure terminal**
11. **wireless wps rogue rule shutdown**
12. **end**

DETAILED STEPS

	Command or Action	Purpose
Step 1	<p>configure terminal</p> <p>Example: Switch# configure terminal</p>	Enters global configuration mode.
Step 2	<p>wireless wps rogue rule rule-name priority priority</p> <p>Example: Switch(config)# wireless wps rogue rule rule_3 priority 3 Switch(config-rule)#</p>	<p>Creates or enables a rule. While creating a rule, you must enter priority for the rule.</p> <p>Note After creating the rule, if you are editing the rule, you can change the priority only for the rogue rules that are disabled. You cannot change priority for the rogue rules that are enabled. While editing, changing the priority for a rogue rule is optional.</p>
Step 3	<p>classify {friendly malicious}</p> <p>Example: Switch(config)# wireless wps rogue rule rule_3 priority 3 Switch(config-rule)# classify friendly</p>	Classifies a rule.
Step 4	<p>condition {client-count duration encryption infrastructure rssi ssid}</p> <p>Example: Switch(config)# wireless wps rogue rule rule_3 priority 3 Switch(config-rule)# condition client-count 5</p>	<p>Specifies to add the following conditions to a rule that the rogue access point must meet.</p> <ul style="list-style-type: none"> • client-count—Requires that a minimum number of clients be associated to the rogue access point. For example, if the number of clients associated to the rogue access point is greater than or equal to the configured value, then the access point could be classified as malicious. If you choose this option, enter the minimum number of clients to be associated to the rogue access point for the <i>condition_value parameter</i>. The valid range is 1 to 10 (inclusive), and the default value is 0. • duration—Requires that the rogue access point be detected for a minimum period of time. If you choose this option, enter a value for the minimum detection period for the <i>condition_value parameter</i>. The valid range is 0 to 3600 seconds (inclusive), and the default value is 0 seconds. • encryption—Requires that the advertised WLAN does not have encryption enabled. • infrastructure—Requires the SSID to be known to the controller. • rssi—Requires that the rogue access point have a minimum RSSI value. For example, if the rogue access point has an RSSI that is greater than the configured value, then the access point could be classified as malicious. If you choose this option, enter the minimum RSSI value for the <i>condition_value parameter</i>. The valid range is -95 to -50 dBm (inclusive), and the default value is 0 dBm. • ssid—Requires that the rogue access point have a specific SSID. You should add SSIDs that are not managed by the controller. If

	Command or Action	Purpose
		you choose this option, enter the SSID for the <i>condition_value</i> parameter. The SSID is added to the user-configured SSID list.
Step 5	match {all any} Example: <pre>Switch(config)# wireless wps rogue rule rule_3 priority 3 Switch(config-rule)# match all</pre>	Specifies whether a detected rogue access point must meet all or any of the conditions specified by the rule in order for the rule to be matched and the rogue access point to adopt the classification type of the rule.
Step 6	default Example: <pre>Switch(config)# wireless wps rogue rule rule_3 priority 3 Switch(config-rule)# default</pre>	Specifies to set a command to its default.
Step 7	exit Example: <pre>Switch(config)# wireless wps rogue rule rule_3 priority 3 Switch(config-rule)# exit Switch(config)#</pre>	Specifies to exit the sub-mode.
Step 8	shutdown Example: <pre>Switch(config)# wireless wps rogue rule rule_3 priority 3 Switch(config-rule)# shutdown</pre>	Specifies to disable a particular rogue rule. For example, the rule rule_3 is disabled.
Step 9	end Example: <pre>Switch(config)# end</pre>	Returns to privileged EXEC mode. Alternatively, you can also press Ctrl-Z to exit global configuration mode.
Step 10	configure terminal Example: <pre>Switch# configure terminal</pre>	Enters global configuration mode.
Step 11	wireless wps rogue rule shutdown Example: <pre>Switch(config)# wireless wps rogue rule shutdown</pre>	Specifies to disable all the rogue rules.
Step 12	end Example: <pre>Switch(config)# end</pre>	Returns to privileged EXEC mode. Alternatively, you can also press Ctrl-Z to exit global configuration mode.

Configuring Rogue Classification Rules (GUI)

- Step 1** Choose **Security > Wireless Protection Policies > Rogue Policies > Rogue Rules** to open the Rogue Rules page. Any rules that have already been created are listed in priority order. The name, type, and status of each rule is provided.
- Note** If you ever want to delete a rule, hover your mouse cursor over the blue drop-down arrow for that rule and click **Remove**.
- Step 2** Create a new rule as follows:
- Click **Add Rule**. An Add Rule section appears at the top of the page.
 - In the **Rule Name** text box, enter a name for the new rule. Ensure that the name does not contain any spaces.
 - From the **Rule Type** drop-down list, choose from the following options to classify rogue access points matching this rule as friendly or malicious:
 - **Friendly**
 - **Malicious**
 - Click **Add** to add this rule to the list of existing rules, or click **Cancel** to discard this new rule.
- Step 3** Edit a rule as follows:
- Click the name of the rule that you want to edit. The **Rogue Rule > Edit** page appears.
 - From the Type drop-down list, choose from the following options to classify rogue access points matching this rule:
 - **Friendly**
 - **Malicious**
 - From the Match Operation text box, choose one of the following:

All—If this rule is enabled, a detected rogue access point must meet all of the conditions specified by the rule in order for the rule to be matched and the rogue to adopt the classification type of the rule.

Any—If this rule is enabled, a detected rogue access point must meet any of the conditions specified by the rule in order for the rule to be matched and the rogue to adopt the classification type of the rule. This is the default value.
 - To enable this rule, select the **Enable Rule** check box. The default value is unselected.
 - To disable this particular rule, unselect the **Enable Rule** check box.

Note You cannot disable all the rogue rule in one shot from GUI but you can disable all the rogue rules from CLI using the **wireless wps rogue rule shutdown** command.
 - From the Add Condition drop-down list, choose one or more of the following conditions that the rogue access point must meet and click **Add Condition**.
 - **SSID**—Requires that the rogue access point have a specific user-configured SSID. If you choose this option, enter the SSID in the User Configured SSID text box, and click **Add SSID**. The user-configured SSIDs are added and listed.

Note To delete an SSID, highlight the SSID and click **Remove**. The SSID applied on a WLAN cannot be applied for the rogue rule.
 - **RSSI**—Requires that the rogue access point have a minimum Received Signal Strength Indication (RSSI) value. For example, if the rogue access point has an RSSI that is greater than the configured value, then the access point could be classified as malicious. If you choose this option, enter the minimum RSSI value in the Minimum RSSI text box. The valid range is –95 to –50 dBm (inclusive), and the default value is 0 dBm.

- **Duration**—Requires that the rogue access point be detected for a minimum period of time. If you choose this option, enter a value for the minimum detection period in the Time Duration text box. The valid range is 0 to 3600 seconds (inclusive), and the default value is 0 seconds.
- **Client Count**—Requires that a minimum number of clients be associated to the rogue access point. For example, if the number of clients associated to the rogue access point is greater than or equal to the configured value, then the access point could be classified as malicious. If you choose this option, enter the minimum number of clients to be associated to the rogue access point in the Minimum Number of Rogue Clients text box. The valid range is 1 to 10 (inclusive), and the default value is 0.
- **No Encryption**—Requires that the rogue access point's advertised WLAN does not have encryption enabled. If a rogue access point has encryption disabled, it is likely that more clients will try to associate to it. No further configuration is required for this option.

Note Cisco Prime Infrastructure refers to this option as "Open Authentication."

- **Managed SSID**—Requires that the rogue access point's managed SSID (the SSID configured for the WLAN) be known to the controller. No further configuration is required for this option.

Note The SSID and Managed SSID conditions cannot be used with the All operation because these two SSID lists are mutually exclusive. If you define a rule with Match All and have these two conditions configured, the rogue access points are never classified as friendly or malicious because one of the conditions can never be met.

You can add up to six conditions per rule. When you add a condition, it appears under the Conditions section.

Note If you ever want to delete a condition from this rule, click **Remove** near the condition.

- **User configured SSID**—Requires that the rogue access point have a substring of the specific user-configured SSID. The controller searches the substring in the same occurrence pattern and returns a match if the substring is found in the whole string of an SSID.

g) Click **Apply**.

Step 4

If you want to change the priority in which rogue classification rules are applied, follow these steps:

- 1 Click **Change Priority** to access the Rogue Rules > Priority page.

The rogue rules are listed in priority order in the Change Rules Priority text box.

- 2 Click on a specific rule for which you want to change the priority, and click **Up** to raise its priority in the list or **Down** to lower its priority in the list.

Note You can change priority only for the disabled rule. You cannot change priority only for the enabled rule.

- 3 Click **Apply**.

Viewing and Classifying Rogue Devices (GUI)

Step 1 Choose **Monitor > Rogues**.

Step 2 Choose the following options to view the different types of rogue access points detected by the controller:

- **Friendly APs**
- **Malicious APs**
- **Unclassified APs**

The respective rogue APs pages provide the following information: the MAC address of the rogue access point, the number of radios that detected the rogue access point, the number of clients connected to the rogue access point, the current status of the rogue access point, and last heard.

Step 3 Get more details about a rogue access point by clicking the MAC address of the access point. The Rogue AP Detail page appears.

This page provides the following information: the MAC address of the rogue device, the type of rogue device (such as an access point), whether the rogue device is on the wired network, the dates and times when the rogue device was first and last reported, and the current status of the device.

The Class Type text box shows the current classification for this rogue access point:

- **Friendly**—An unknown access point that matches the user-defined friendly rules or an existing known and acknowledged rogue access point. Friendly access points cannot be contained.
- **Malicious**—An unknown access point that matches the user-defined malicious rules or is moved manually by the user from the Friendly or Unclassified classification type.

Note Once an access point is classified as Malicious, you cannot apply rules to it in the future, and it cannot be moved to another classification type. If you want to move a malicious access point to the Unclassified classification type, you must delete the access point and allow the controller to reclassify it.

- **Unclassified**—An unknown access point that does not match the user-defined friendly or malicious rules. An unclassified access point can be contained. It can also be moved to the Friendly or Malicious classification type automatically in accordance with user-defined rules or manually by the user.

Step 4 If you want to change the classification of this device, choose a different classification from the Class Type drop-down list.

Note A rogue access point cannot be moved to another class if its current state is Contain.

Step 5 From the Update Status drop-down list, choose one of the following options to specify how the controller should respond to this rogue access point:

- **Internal**—The controller trusts this rogue access point. This option is available if the Class Type is set to Friendly.
- **External**—The controller acknowledges the presence of this rogue access point. This option is available if the Class Type is set to Friendly.
- **Contain**—The controller contains the offending device so that its signals no longer interfere with authorized clients. This option is available if the Class Type is set to Malicious or Unclassified.

- **Alert**—The controller forwards an immediate alert to the system administrator for further action. This option is available if the Class Type is set to Malicious or Unclassified.

The bottom of the page provides information on both the access points that detected this rogue access point and any clients that are associated to it. To see more details for any of the clients, click **Edit** to open the Rogue Client Detail page.

Step 6 Click **Apply**.

Step 7 Click **Save Configuration**.

Step 8 See any adhoc rogues detected by the controller by choosing **Adhoc Rogues**. The Adhoc Rogues page appears. This page shows the following information: the MAC address, BSSID, and SSID of the adhoc rogue, the number of radios that detected the adhoc rogue, and the current status of the adhoc rogue.

Step 9 Obtain more details about an adhoc rogue by clicking the MAC address of the rogue. The Adhoc Rogue Detail page appears.

This page provides the following information: the MAC address and BSSID of the adhoc rogue, the dates and times when the rogue was first and last reported, and the current status of the rogue.

Step 10 From the Update Status drop-down list, choose one of the following options to specify how the controller should respond to this adhoc rogue:

- **Contain**—The controller contains the offending device so that its signals no longer interfere with authorized clients.
- **Alert**—The controller forwards an immediate alert to the system administrator for further action.
- **Internal**—The controller trusts this rogue access point.
- **External**—The controller acknowledges the presence of this rogue access point.

Step 11 From the Maximum Number of APs to Contain the Rogue drop-down list, choose one of the following options to specify the maximum number of access points used to contain this adhoc rogue: **1**, **2**, **3**, or **4**.

The bottom of the page provides information on the access points that detected this adhoc rogue.

Step 12 Click **Apply**.

Step 13 Click **Save Configuration**.

Step 14 View any access points that have been configured to be ignored by choosing **Rogue AP Ignore-List**. The Rogue AP Ignore-List page appears.

This page shows the MAC addresses of any access points that are configured to be ignored. The rogue-ignore list contains a list of any autonomous access points that have been manually added to Cisco Prime Infrastructure maps by the users. The controller regards these autonomous access points as rogues even though the Prime Infrastructure is managing them. The rogue-ignore list allows the controller to ignore these access points. The list is updated as follows:

- When the controller receives a rogue report, it checks to see if the unknown access point is in the rogue-ignore access point list.
- If the unknown access point is in the rogue-ignore list, the controller ignores this access point and continues to process other rogue access points.
- If the unknown access point is not in the rogue-ignore list, the controller sends a trap to the Prime Infrastructure. If the Prime Infrastructure finds this access point in its autonomous access point list, the Prime Infrastructure sends a command to the controller to add this access point to the rogue-ignore list. This access point is then ignored in future rogue reports.

- If a user removes an autonomous access point from the Prime Infrastructure, the Prime Infrastructure sends a command to the controller to remove this access point from the rogue-ignore list.

Examples: Classifying Rogue Access Points

This example shows how to create rule that can organize and display rogue access points as Friendly:

```
Switch# configure terminal
Switch(config)# wireless wps rogue rule ap1 priority 1
Switch(config-rule)# classify friendly
Switch(config-rule)# end
```

This example shows how to apply condition that the rogue access point must meet:

```
Switch# configure terminal
Switch(config)# wireless wps rogue rule ap1 priority 1
Switch(config-rule)# condition client-count 5
Switch(config-rule)# condition duration 1000
Switch(config-rule)# end
```

Additional References for Classifying Rogue Access Points

Related Documents

Related Topic	Document Title
Security commands	<i>Security Command Reference Guide, Cisco IOS XE Release 3SE (Cisco WLC 5700 Series)</i>

Standards and RFCs

Standard/RFC	Title
None	—

MIBs

MIB	MIBs Link
All supported MIBs for this release.	To locate and download MIBs for selected platforms, Cisco IOS releases, and feature sets, use Cisco MIB Locator found at the following URL: http://www.cisco.com/go/mibs

Technical Assistance

Description	Link
<p>The Cisco Support website provides extensive online resources, including documentation and tools for troubleshooting and resolving technical issues with Cisco products and technologies.</p> <p>To receive security and technical information about your products, you can subscribe to various services, such as the Product Alert Tool (accessed from Field Notices), the Cisco Technical Services Newsletter, and Really Simple Syndication (RSS) Feeds.</p> <p>Access to most tools on the Cisco Support website requires a Cisco.com user ID and password.</p>	http://www.cisco.com/support

Feature History and Information For Classifying Rogue Access Points

Release	Feature Information
Cisco IOS XE 3.3SE	This feature was introduced.



CHAPTER 24

Configuring wIPS

- [Finding Feature Information, page 517](#)
- [Information About wIPS, page 517](#)
- [How to Configure wIPS on an Access Point, page 524](#)
- [Monitoring wIPS Information, page 526](#)
- [Examples: wIPS Configuration, page 526](#)
- [Additional References for Configuring wIPS, page 526](#)
- [Feature History for Performing wIPS Configuration, page 527](#)

Finding Feature Information

Your software release may not support all the features documented in this module. For the latest caveats and feature information, see Bug Search Tool and the release notes for your platform and software release. To find information about the features documented in this module, and to see a list of the releases in which each feature is supported, see the feature information table at the end of this module.

Use Cisco Feature Navigator to find information about platform support and Cisco software image support. To access Cisco Feature Navigator, go to <http://www.cisco.com/go/cfn>. An account on Cisco.com is not required.

Information About wIPS

The Cisco Adaptive Wireless Intrusion Prevention System (wIPS) uses an advanced approach to wireless threat detection and performance management. It combines network traffic analysis, network device and topology information, signature-based techniques, and anomaly detection to deliver highly accurate and complete wireless threat prevention. With a fully infrastructure-integrated solution, you can continually monitor wireless traffic on both the wired and wireless networks and use that network intelligence to analyze attacks from many sources to accurately pinpoint and proactively prevent attacks, rather than wait until damage or exposure has occurred.

Cisco Adaptive wIPS is a part of the Cisco 3300 Series Mobility Services Engine (MSE), which centralizes the processing of intelligence collected by the continuous monitoring of Cisco Aironet APs. With Cisco

Adaptive wIPS functionalities and Cisco Prime Infrastructure integration into the Cisco MSE, the wIPS can configure and monitor wIPS policies and alarms and report threats.

**Note**

If your wIPS deployment consists of a Cisco WLC, access point, and Cisco MSE, you must set all the three entities to the UTC time zone.

Cisco Adaptive wIPS is not configured on the Cisco WLC. Instead, the Cisco Prime Infrastructure forwards the profile configuration to the wIPS service, which forwards the profile to the Cisco WLC. The profile is stored in flash memory on the Cisco WLC and sent to APs when they join the Cisco WLC. When an access point disassociates and joins another Cisco WLC, it receives the wIPS profile from the new Cisco WLC.

Local-mode APs with a subset of wIPS capabilities are referred to as Enhanced Local Mode access point or ELM AP. You can configure an access point to work in the wIPS mode if the AP is in any of the following modes:

- Monitor
- Local

The regular local mode AP is extended with a subset of wIPS capabilities. This feature enables you to deploy your APs to provide protection without needing a separate overlay network.

wIPS ELM has the limited capability of detecting off-channel alarms. AN AP periodically goes off-channel, and monitors the nonserving channels for a short duration, and triggers alarms if any attack is detected on the channel. But off-channel alarm detection is best effort, and it takes a longer time to detect attacks and trigger alarms, which might cause the ELM AP to intermittently detect an alarm and clear it because it is not visible. APs in any of the above modes can periodically send alarms based on the policy profile to the wIPS service through the Cisco WLC. The wIPS service stores and processes the alarms and generates SNMP traps. Cisco Prime Infrastructure configures its IP address as a trap destination to receive SNMP traps from the Cisco MSE.

This table lists all the SNMP trap controls and their respective traps. When a trap control is enabled, all the traps of that trap control are also enabled.

**Note**

The Cisco WLC uses only SNMPv2 for SNMP trap transmission.

Table 44: SNMP Trap Controls and Their Respective Traps

Tab Name	Trap Control	Trap
General	Link (Port) Up/Down	linkUp, linkDown
	Spanning Tree	newRoot, topologyChange, stpInstanceNewRootTrap, stpInstanceTopologyChangeTrap
	Config Save	bsnDot11EssCreated, bsnDot11EssDeleted, bsnConfigSaved, ciscoLwappScheduledResetNotif, ciscoLwappClearResetNotif, ciscoLwappResetFailedNotif, ciscoLwappSysInvalidXmlConfig
AP	AP Register	bsnAPDisassociated, bsnAPAssociated
	AP Interface Up/Down	bsnAPIfUp, bsnAPIfDown
Client Traps	802.11 Association	bsnDot11StationAssociate
	802.11 Disassociation	bsnDot11StationDisassociate
	802.11 Deauthentication	bsnDot11StationDeauthenticate
	802.11 Failed Authentication	bsnDot11StationAuthenticateFail
	802.11 Failed Association	bsnDot11StationAssociateFail
	Exclusion	bsnDot11StationBlacklisted
	NAC Alert	cldcClientWlanProfileName, cldcClientIPAddress, cldcApMacAddress, cldcClientQuarantineVLAN, cldcClientAccessVLAN

Tab Name	Trap Control	Trap
Security Traps	User Authentication	bsnTooManyUnsuccessLoginAttempts, cLWAGuestUserLoggedIn, cLWAGuestUserLoggedOut
	RADIUS Servers Not Responding	bsnRADIUSServerNotResponding, ciscoLwappAAARadiusReqTimedOut
	WEP Decrypt Error	bsnWepKeyDecryptError
	Rogue AP	bsnAdhocRogueAutoContained, bsnRogueApAutoContained, bsnTrustedApHasInvalidEncryption, bsnMaxRogueCountExceeded, bsnMaxRogueCountClear, bsnApMaxRogueCountExceeded, bsnApMaxRogueCountClear, bsnTrustedApHasInvalidRadioPolicy, bsnTrustedApHasInvalidSsid, bsnTrustedApIsMissing
	SNMP Authentication	agentSnmpAuthenticationTrapFlag
	Multiple Users	multipleUsersTrap
Auto RF Profile Traps	Load Profile	bsnAPLoadProfileFailed
	Noise Profile	bsnAPNoiseProfileFailed
	Interference Profile	bsnAPInterferenceProfileFailed
	Coverage Profile	bsnAPCoverageProfileFailed
Auto RF Update Traps	Channel Update	bsnAPCurrentChannelChanged
	Tx Power Update	bsnAPCurrentTxPowerChanged

Tab Name	Trap Control	Trap
Mesh Traps	Child Excluded Parent	ciscoLwappMeshChildExcludedParent
	Parent Change	ciscoLwappMeshParentChange
	Authfailure Mesh	ciscoLwappMeshAuthorizationFailure
	Child Moved	ciscoLwappMeshChildMoved
	Excessive Parent Change	ciscoLwappMeshExcessiveParentChange
	Excessive Children	ciscoLwappMeshExcessiveChildren
	Poor SNR	ciscoLwappMeshAbateSNR, ciscoLwappMeshOnsetSNR
	Console Login	ciscoLwappMeshConsoleLogin
	Excessive Association	ciscoLwappMeshExcessiveAssociation
	Default Bridge Group Name	ciscoLwappMeshDefaultBridgeGroupName

The following are the trap descriptions for the traps mentioned in the *SNMP Trap Controls and Their Respective Traps* table:

- General Traps

- SNMP Authentication—The SNMPv2 entity has received a protocol message that is not properly authenticated.



Note When a user who is configured in SNMP V3 mode tries to access the Cisco WLC with an incorrect password, the authentication fails and a failure message is displayed. However, no trap logs are generated for the authentication failure.

- Link (Port) Up/Down—Link changes status from up or down.
- Link (Port) Up/Down—Link changes status from up or down.
- Multiple Users—Two users log in with the same ID.
- Rogue AP—Whenever a rogue access point is detected, this trap is sent with its MAC address; when a rogue access point that was detected earlier no longer exists, this trap is sent.
- Config Save—Notification that is sent when the Cisco WLC configuration is modified.

- Cisco AP Traps

- AP Register—Notification sent when an access point associates or disassociates with the Cisco WLC.

- AP Interface Up/Down—Notification sent when an access point interface (802.11X) status goes up or down.

- Client-Related Traps

- 802.11 Association—Associate notification that is sent when a client sends an association frame.
- 802.11 Disassociation—Disassociate notification that is sent when a client sends a disassociation frame.
- 802.11 Deauthentication—Deauthenticate notification that is sent when a client sends a deauthentication frame.
- 802.11 Failed Authentication—Authenticate failure notification that is sent when a client sends an authentication frame with a status code other than successful.
- 802.11 Failed Association—Associate failure notification that is sent when the client sends an association frame with a status code other than successful.
- Exclusion—Associate failure notification that is sent when a client is exclusion listed (blacklisted).
- Authentication—Authentication notification that is sent when a client is successfully authenticated.
- Max Clients Limit Reached—Notification that is sent when the maximum number of clients, defined in the Threshold field, are associated with the Cisco WLC.
- NAC Alert—Alert that is sent when a client joins an SNMP NAC-enabled WLAN.

This notification is generated when a client on NAC-enabled SSIDs completes Layer2 authentication to inform the NAC appliance about the client's presence. `cldcClientWlanProfileName` represents the profile name of the WLAN that the 802.11 wireless client is connected to, `cldcClientIPAddress` represents the unique IP address of the client. `cldcApMacAddress` represents the MAC address of the AP to which the client is associated. `cldcClientQuarantineVLAN` represents the quarantine VLAN for the client. `cldcClientAccessVLAN` represents the access VLAN for the client.

- Association with Stats—Associate notification that is sent with data statistics when a client is associated with the Cisco WLC, or roams. Data statistics include transmitted and received bytes and packets.
- Disassociation with Stats—Disassociate notification that is sent with data statistics when a client disassociates from the Cisco WLC. Data statistics include transmitted and received bytes and packets, SSID, and session ID.



Note When you downgrade to Release 7.4 from a later release, if a trap that was not supported in Release 7.4 (for example, NAC Alert trap) is enabled before the downgrade, all traps are disabled. After the downgrade, you must enable all the traps that were enabled before the downgrade. We recommend that you disable the new traps before the downgrade so that all the other traps are not disabled.

- Security Traps

- User Auth Failure—This trap informs that a client RADIUS Authentication failure has occurred.
- RADIUS Server No Response—This trap is to indicate that no RADIUS servers are responding to authentication requests sent by the RADIUS client.

- WEP Decrypt Error—Notification sent when the Cisco WLC detects a WEP decrypting error.
- Rouge AP—Whenever a rogue access point is detected, this trap is sent with its MAC address; when a rogue access point that was detected earlier no longer exists, this trap is sent.
- SNMP Authentication—The SNMPv2 entity has received a protocol message that is not properly authenticated.



Note When a user who is configured in SNMP V3 mode tries to access the Cisco WLC with an incorrect password, authentication fails and a failure message is displayed. However, no trap logs are generated for the authentication failure.

- Multiple Users—Two users log in with the same ID.
- SNMP Authentication
 - Load Profile—Notification sent when the Load Profile state changes between PASS and FAIL.
 - Noise Profile—Notification sent when the Noise Profile state changes between PASS and FAIL.
 - Interference Profile—Notification sent when the Interference Profile state changes between PASS and FAIL.
 - Coverage Profile—Notification sent when the Coverage Profile state changes between PASS and FAIL.
- Auto RF Profile Traps
 - Load Profile—Notification sent when the Load Profile state changes between PASS and FAIL.
 - Noise Profile—Notification sent when the Noise Profile state changes between PASS and FAIL.
 - Interference Profile—Notification sent when the Interference Profile state changes between PASS and FAIL.
 - Coverage Profile—Notification sent when the Coverage Profile state changes between PASS and FAIL.
- Auto RF Update Traps
 - Channel Update—Notification sent when the access point dynamic channel algorithm is updated.
 - Tx Power Update—Notification sent when the access point dynamic transmit power algorithm is updated.
- Mesh Traps
 - Child Excluded Parent—Notification that is sent when a defined number of failed association to the Cisco WLC occurs through a parent mesh node.
 - Notification sent when a child mesh node exceeds the threshold limit of the number of discovery response timeouts. The child mesh node does not try to associate an excluded parent mesh node for the interval defined. The child mesh node remembers the excluded parent MAC address when it joins the network, and informs the Cisco WLC.

- Parent Change—Notification is sent by the agent when a child mesh node changes its parent. The child mesh node remembers previous parent and informs the Cisco WLC about the change of parent when it rejoins the network.
- Child Moved—Notification sent when a parent mesh node loses connection with its child mesh node.
- Excessive Parent Change—Notification sent when the child mesh node changes its parent frequently. Each mesh node keeps a count of the number of parent changes in a fixed time. If it exceeds the defined threshold, the child mesh node informs the Cisco WLC.
- Excessive Children—Notification sent when the child count exceeds for a RAP and a MAP.
- Poor SNR—Notification sent when the child mesh node detects a lower SNR on a backhaul link. For the other trap, a notification is sent to clear a notification when the child mesh node detects an SNR on a backhaul link that is higher than the object defined by 'clMeshSNRThresholdAbate'.
- Console Login—Notification is sent by the agent when a login on a MAP console is either successful or fail after three attempts.
- Default Bridge Group Name—Notification sent when the MAP mesh node joins its parent using the default bridge group name.

**Note**

The remaining traps do not have trap controls. These traps are not generated too frequently and do not require any trap control. Any other trap that is generated by the Cisco WLC cannot be turned off.

**Note**

In all of the above cases, the Cisco WLC functions solely as a forwarding device.

How to Configure wIPS on an Access Point

Configuring wIPS on an Access Point (CLI)

SUMMARY STEPS

1. **ap name** *name* **mode** *submode* *wips*
2. **end**
3. **show wireless wps wips summary**
4. **show wireless wps wips statistics**

DETAILED STEPS

	Command or Action	Purpose
Step 1	ap name <i>name</i> mode <i>submode</i> wips Example: Switch# ap name ap1 mode local wips	Configure an access point for local or monitor mode and then set the submode to WIPS.
Step 2	end Example: Switch(config)# end	Returns to privileged EXEC mode. Alternatively, you can also press Ctrl-Z to exit global configuration mode.
Step 3	show wireless wps wips summary Example: Switch# show wireless wps wips summary	View the WIPS configuration on the access point.
Step 4	show wireless wps wips statistics Example: Switch# show wireless wps wips statistics	View the current state of WIPS configuration.

Configuring WIPS on an Access Point (GUI)

-
- Step 1** Choose **Configuration > Wireless > Access Points > All APs**.
The **All APs** page appears with a list of all access points that are associated with the switch.
- Step 2** Click the name of the access point for which you want to configure WIPS.
The **AP > Edit** page appears.
- Step 3** In the General area, set the **AP Mode** parameter. To configure an access point for WIPS, you must choose one of the following modes from the **AP Mode** drop-down list:
- **Local**
 - **Monitor**
- Step 4** Set the **AP Sub Mode** to WIPS by choosing **wIPS** from the **AP Sub Mode** drop-down list.
- Step 5** Click **Apply**.
- Step 6** Click **Save**.
-

Monitoring wIPS Information

This section describes the new command for wIPS.

The following command can be used to monitor wIPS configured on the access point.

Table 45: Monitoring wIPS Command

Command	Purpose
<code>show wireless wps wips summary</code>	Displays the wIPS configuration on the access point.
<code>show wireless wps wips statistics</code>	Displays the current state of wIPS configuration.

Examples: wIPS Configuration

This example shows how to configure wIPS on AP1:

```
Switch# ap name ap1 mode local submode wips
Switch# end
Switch# show wireless wps wips summary
```

Additional References for Configuring wIPS

Related Documents

Related Topic	Document Title
wIPS commands	<i>Security Command Reference Guide, Cisco IOS XE Release 3SE (Cisco WLC 5700 Series)</i>

Standards and RFCs

Standard/RFC	Title
None	—

MIBs

MIB	MIBs Link
All supported MIBs for this release.	To locate and download MIBs for selected platforms, Cisco IOS releases, and feature sets, use Cisco MIB Locator found at the following URL: http://www.cisco.com/go/mibs

Technical Assistance

Description	Link
<p>The Cisco Support website provides extensive online resources, including documentation and tools for troubleshooting and resolving technical issues with Cisco products and technologies.</p> <p>To receive security and technical information about your products, you can subscribe to various services, such as the Product Alert Tool (accessed from Field Notices), the Cisco Technical Services Newsletter, and Really Simple Syndication (RSS) Feeds.</p> <p>Access to most tools on the Cisco Support website requires a Cisco.com user ID and password.</p>	http://www.cisco.com/support

Feature History for Performing wIPS Configuration

Release	Feature Information
Cisco IOS XE 3.3SE	This feature was introduced.



Configuring Intrusion Detection System

- [Finding Feature Information, page 529](#)
- [Information About Intrusion Detection System, page 529](#)
- [How to Configure Intrusion Detection System, page 530](#)
- [Monitoring Intrusion Detection System, page 531](#)

Finding Feature Information

Your software release may not support all the features documented in this module. For the latest feature information and caveats, see the release notes for your platform and software release. To find information about the features documented in this module, and to see a list of the releases in which each feature is supported, see the <TBD>

Use Cisco Feature Navigator to find information about platform support and Cisco software image support. To access Cisco Feature Navigator, go to <http://www.cisco.com/go/cfn>. An account on Cisco.com is not required.

Information About Intrusion Detection System

The Cisco Intrusion Detection System/Intrusion Prevention System (CIDS/CIPS) instructs switches to block certain clients from accessing the wireless network when attacks involving these clients are detected at Layer 3 through Layer 7. This system offers significant network protection by helping to detect, classify, and stop threats including worms, spyware/adware, network viruses, and application abuse. Two methods are available to detect potential attacks:

- IDS sensors
- IDS signatures

IDS sensors can be configured to detect various types of IP-level attacks in the network. When the sensors identify an attack, they can alert the switch to shun the offending client. When a new IDS sensor is added, the IDS sensor should be registered with the switch so that the switch can query the sensor to get the list of shunned clients.

When an IDS sensor detects a suspicious client, it alerts the switch to shun this client. The shun entry is distributed to all switches within the same mobility group. If the client to be shunned is currently joined to a switch in this mobility group, the anchor switch adds this client to the dynamic exclusion list, and the foreign switch removes the client. The next time that the client tries to connect to a switch, the anchor switch rejects the handoff and informs the foreign switch that the client is being excluded.

How to Configure Intrusion Detection System

Configuring IDS Sensors

SUMMARY STEPS

1. **configure terminal**
2. **wireless wps cids-sensor *index* [ip-address *ip-addr* username *username* password *password_type* password]**
3. **wireless wps cids-sensor *index***
4. **[default exit fingerprint interval no port shutdown]**
5. **end**

DETAILED STEPS

	Command or Action	Purpose
Step 1	configure terminal Example: Switch# configure terminal	Enters global configuration mode.
Step 2	wireless wps cids-sensor <i>index</i> [ip-address <i>ip-addr</i> username <i>username</i> password <i>password_type</i> password] Example: Switch(config)# wireless wps cids-sensor 2 231.1.1.1 admin pwd123	Configures the IDS sensors that holds and internal index number. The index parameter determines the sequence in which the controller consults the IDS sensors. The controller supports up to five IDS sensors. <ul style="list-style-type: none"> • ip-address– [optional] Provide the IP address for the IDS. • username– [optional] Configures the username for the IDS. • password– [optional] Configures the password for the respective username.
Step 3	wireless wps cids-sensor <i>index</i> Example: Switch(config)# wireless wps cids-sensor 1	Enters the IDS configuration submenu.
Step 4	[default exit fingerprint interval no port shutdown]	Configures various IDS parameters. <ul style="list-style-type: none"> • default– [optional] Sets a command to its default.

	Command or Action	Purpose
	<p>Example: Switch(config-cids-index)# default</p>	<ul style="list-style-type: none"> • exit– [optional] Exits the submode. • fingerprint– [optional] Configures the sensor's TLS fingerprint. • interval– [optional] Configures the sensor's query interval. The range is between 10-3600 seconds. • no– [optional] Negates a command or set its defaults. • port– [optional] Configures the sensor's port number. • shutdown– [optional] Shuts down the intrusion detection sensor.
Step 5	<p>end</p> <p>Example: Switch(config)# end</p>	Returns to privileged EXEC mode. Alternatively, you can also press Ctrl-Z to exit global configuration mode.

Monitoring Intrusion Detection System

Table 46: Commands for Monitoring Wireless Multicast

Commands	Description
show wireless wps cids-sensor index	Displays the IDS configuration of the IDS sensor with the mentioned index value.
show wireless wps cids-sensor summary	Displays the list of all the configured IDS with their respective values like index, ip-address, port number, interval value, status and last query.
show wireless wps shun-list	Displays the list of the IDS shun list.



INDEX

802.1x [243](#)

A

- access control entries [150](#)
 - See ACEs [150](#)
- access groups [162](#)
 - Layer 3 [162](#)
- access groups, applying IPv4 ACLs to interfaces [175](#)
- access lists [155](#)
 - See ACLs [155](#)
- accounting [45, 56, 96](#)
 - with RADIUS [96](#)
 - with TACACS+ [45, 56](#)
- accounting, defined [45](#)
- ACEs [150](#)
 - Ethernet [150](#)
 - IP [150](#)
- ACLs [150, 155, 156, 157, 158, 159, 160, 161, 162, 163, 164, 171, 173, 175, 180, 187, 188, 190, 199, 200, 201](#)
 - applying [171, 175, 199, 200, 201](#)
 - on routed packets [200](#)
 - on bridged packets [199](#)
 - on multicast packets [201](#)
 - on switched packets [199](#)
 - time ranges to [171](#)
 - to an interface [175](#)
 - comments in [188](#)
 - compiling [190](#)
 - defined [155](#)
 - examples of [190](#)
 - extended IPv4 [155, 164](#)
 - creating [164](#)
 - matching criteria [155](#)
 - interface [162](#)
 - IP [155, 157, 162, 171](#)
 - implicit deny [171](#)
 - implicit masks [157](#)
 - matching criteria [155](#)
 - undefined [162](#)
- ACLs (*continued*)
 - IPv4 [155, 156, 162, 173, 175](#)
 - applying to interfaces [175](#)
 - creating [155](#)
 - interfaces [162](#)
 - matching criteria [155](#)
 - numbers [156](#)
 - terminal lines, setting on [173](#)
 - unsupported features [155](#)
 - Layer 4 information in [160](#)
 - logging messages [158](#)
 - matching [162](#)
 - monitoring [187](#)
 - port [150](#)
 - precedence of [150](#)
 - router [150](#)
 - router ACLs and VLAN map configuration guidelines [160](#)
 - standard IPv4 [155, 163](#)
 - creating [163](#)
 - matching criteria [155](#)
 - support in hardware [159](#)
 - time ranges to [161](#)
 - types supported [150](#)
 - unsupported features [155](#)
 - IPv4 [155](#)
 - using router ACLs with VLAN maps [160](#)
 - VLAN maps [159, 180](#)
 - configuration guidelines [159](#)
 - configuring [180](#)
- adding [243, 245](#)
- and SSH [126](#)
- attributes [99, 101](#)
 - vendor-proprietary [101](#)
 - vendor-specific [99](#)
- attributes, RADIUS [99, 101, 107](#)
 - vendor-proprietary [101, 107](#)
 - vendor-specific [99](#)
- authenticating to [113](#)
 - boundary switch [113](#)
 - KDC [113](#)
 - network services [113](#)

authentication [45, 49, 51, 87, 90, 117](#)
 local mode with AAA [117](#)
 RADIUS [87, 90](#)
 key [87](#)
 login [90](#)
 TACACS+ [45, 49, 51](#)
 defined [45](#)
 key [49](#)
 login [51](#)
 authentication key [49](#)
 authentication, defined [45](#)
 authorization [45, 54, 94](#)
 with RADIUS [94](#)
 with TACACS+ [45, 54](#)
 authorization, defined [45](#)
 automatic [241](#)

B

Berkeley r-tools replacement [126](#)
 binding configuration [241](#)
 automatic [241](#)
 manual [241](#)
 binding database [222](#)
 address, DHCP server [222](#)
 See DHCP, Cisco IOS server database [222](#)
 binding table [241](#)
 bindings [222, 241](#)
 address, Cisco IOS DHCP server [222](#)
 IP source guard [241](#)
 boundary switch [113](#)
 bridged packets, ACLs on [199](#)

C

CA trustpoint [134, 137](#)
 configuring [137](#)
 defined [134](#)
 Change Rules Priority parameter [511](#)
 changing the default for lines [37](#)
 CipherSuites [135](#)
 Cisco 3300 Series Mobility Services Engine (MSE), using with
 wIPS [517](#)
 Cisco IOS DHCP server [222](#)
 See DHCP, Cisco IOS DHCP server [222](#)
 CoA Request Commands [69](#)
 commands, setting privilege levels [35](#)
 communication, global [87, 97](#)
 communication, per-server [87](#)
 configuration examples [110](#)

Configuration Examples for Setting Passwords and Privilege
 Levels command [39](#)
 configuration files [30](#)
 password recovery disable considerations [30](#)
 configuration guidelines [136, 243](#)
 configuring [49, 51, 54, 56, 87, 90, 94, 96, 97, 114, 126, 137, 139, 143](#)
 accounting [56, 96](#)
 authentication [90](#)
 authentication key [49](#)
 authorization [54, 94](#)
 communication, global [87, 97](#)
 communication, per-server [87](#)
 login authentication [51](#)
 multiple UDP ports [87](#)
 configuring a secure HTTP client [143](#)
 configuring a secure HTTP server [139](#)
 Configuring the Switch for Vendor-Proprietary RADIUS Server
 Communication [107](#)
 Example command [107](#)
 Configuring the Switch to Use Vendor-Specific RADIUS
 Attributes [107](#)
 Examples command [107](#)
 Configuring VACL Logging [185](#)
 credentials [110](#)
 customizable web pages, web-based authentication [373](#)

D

default configuration [24, 49, 73, 136](#)
 password and privilege level [24](#)
 RADIUS [73](#)
 SSL [136](#)
 TACACS+ [49](#)
 default web-based authentication configuration [377](#)
 802.1X [377](#)
 defined [45, 134](#)
 defining AAA server groups [92](#)
 described [110, 133, 241](#)
 Detect and Report Adhoc Networks parameter [500](#)
 DHCP [217, 226](#)
 enabling [217, 226](#)
 relay agent [226](#)
 server [217](#)
 DHCP option 82 [219, 227, 233](#)
 displaying [233](#)
 forwarding address, specifying [227](#)
 helper address [227](#)
 overview [219](#)
 DHCP server port-based address allocation [234, 237](#)
 default configuration [234](#)
 enabling [237](#)

DHCP snooping [218, 219, 241](#)
 accepting untrusted packets form edge switch [218](#)
 option 82 data insertion [219](#)
 trusted interface [218](#)
 untrusted messages [218](#)

DHCP snooping binding database [222, 223, 230, 235](#)
 adding bindings [235](#)
 binding file [223](#)
 format [223](#)
 location [223](#)
 configuration guidelines [230](#)
 configuring [235](#)
 described [222](#)
 enabling [235](#)

disabling recovery of [30](#)
 displaying [144](#)

E

enable [26](#)
 enable password [28](#)
 enable secret [28](#)
 enable secret password [28](#)
 enabling [243, 245](#)
 encrypting [28](#)
 encryption for passwords [28](#)
 encryption methods [125](#)
 encryption, CipherSuite [135](#)
 EtherChannels [243](#)
 Examples for controlling switch access with RADIUS [106](#)
 exiting [38](#)
 Expiration Timeout for Rogue AP and Rogue Client Entries parameter [499](#)

F

filtering [176](#)
 non-IP traffic [176](#)

filters, IP [149](#)
 See ACLs, IP [filters [149](#)
 IP [149](#)
 zzz] [149](#)

H

HTTP over SSL [133](#)
 see HTTPS [133](#)

HTTP secure server [133](#)

HTTPS [133, 134, 139](#)
 configuring [139](#)

HTTPS (*continued*)
 described [133](#)
 self-signed certificate [134](#)

I

ICMP [148](#)
 unreachable messages [148](#)

Identifying the RADIUS Server Host [106](#)
 Examples command [106](#)

identifying the server [49, 87](#)

IP ACLs [158](#)
 named [158](#)

IP source guard [241, 243, 245](#)
 802.1x [243](#)
 binding configuration [241](#)
 automatic [241](#)
 manual [241](#)
 binding table [241](#)
 configuration guidelines [243](#)
 described [241](#)
 DHCP snooping [241](#)
 enabling [243, 245](#)
 EtherChannels [243](#)
 port security [243](#)
 routed ports [243](#)
 static bindings [243, 245](#)
 adding [243, 245](#)
 static hosts [245](#)
 TCAM entries [243](#)
 trunk interfaces [243](#)
 VRF [243](#)

IPv4 ACLs [162, 163, 164, 168, 175](#)
 applying to interfaces [175](#)
 extended, creating [164](#)
 interfaces [162](#)
 named [168](#)
 standard, creating [163](#)

K

KDC [110, 113](#)
 described [110](#)
 See also Kerberos[KDC [110](#)
 zzz] [110](#)

Kerberos [110, 113, 114](#)
 authenticating to [113](#)
 boundary switch [113](#)
 KDC [113](#)
 network services [113](#)
 configuration examples [110](#)

Kerberos (*continued*)

- configuring [114](#)
- credentials [110](#)
- described [110](#)
- KDC [110](#)
- operation [113](#)
- realm [110](#)
- server [110](#)
- switch as trusted third party [110](#)
- terms [110](#)
- TGT [110](#)
- tickets [110](#)

key [49, 87](#)

key distribution center [110](#)

See KDC [110](#)

L

limiting the services to the user [54, 94](#)

local mode with AAA [117](#)

logging into [38](#)

logging messages, ACL [158](#)

login [51, 90](#)

login authentication [51, 90](#)

with RADIUS [90](#)

with TACACS+ [51](#)

M

MAC extended access lists [148, 178](#)

applying to Layer 2 interfaces [148, 178](#)

manual [241](#)

monitoring [144, 187](#)

access groups [187](#)

IPv4 ACL configuration [187](#)

multicast packets [201](#)

ACLs on [201](#)

multiple UDP ports [87](#)

N

NetFlow [159](#)

network services [113](#)

non-IP traffic filtering [176](#)

O

operation [113](#)

operation of [47, 64](#)

overview [21, 26, 45, 63](#)

P

password and privilege level [24](#)

password recovery disable considerations [30](#)

passwords [21, 24, 26, 28, 30, 31, 33](#)

default configuration [24](#)

disabling recovery of [30](#)

encrypting [28](#)

overview [21](#)

setting [26, 28, 31, 33](#)

enable [26](#)

enable secret [28](#)

Telnet [31](#)

with usernames [33](#)

persistent self-signed certificate [134](#)

port ACLs [150, 151](#)

defined [150](#)

types of [151](#)

port security [243](#)

port-based authentication [368, 377, 378, 379, 383, 395](#)

configuration guidelines [378](#)

configuring [379, 383](#)

RADIUS server [379](#)

RADIUS server parameters on the switch [383](#)

default configuration [377](#)

device roles [368](#)

displaying statistics [395](#)

enabling [383](#)

802.1X authentication [383](#)

switch [368](#)

as proxy [368](#)

preventing unauthorized access [21](#)

privilege levels [26, 35, 37, 38](#)

changing the default for lines [37](#)

exiting [38](#)

logging into [38](#)

overview [26](#)

setting a command with [35](#)

Protecting Enable and Enable Secret Passwords with

Encryption [39](#)

Example command [39](#)

R

RADIUS [63, 64, 73, 87, 90, 92, 94, 96, 97, 99, 101, 107](#)

attributes [99, 101, 107](#)

vendor-proprietary [101, 107](#)

vendor-specific [99](#)

RADIUS (*continued*)

- configuring [87, 90, 94, 96, 97](#)
 - accounting [96](#)
 - authentication [90](#)
 - authorization [94](#)
 - communication, global [87, 97](#)
 - communication, per-server [87](#)
 - multiple UDP ports [87](#)
- default configuration [73](#)
- defining AAA server groups [92](#)
- identifying the server [87](#)
- key [87](#)
- limiting the services to the user [94](#)
- login [90](#)
- operation of [64](#)
- overview [63](#)
- suggested network environments [63](#)
- tracking services accessed by user [96](#)
- RADIUS Change of Authorization [65](#)
- realm [110](#)
- Remote Authentication Dial-In User Service [63](#)
 - See RADIUS [63](#)
- restricting access [21, 45, 63](#)
 - overview [21](#)
 - RADIUS [63](#)
 - TACACS+ [45](#)
- RFC 5176 Compliance [67](#)
- RLDP. See Rogue Location Discovery Protocol (RLDP) [496](#)
- rogue access points [500](#)
 - automatically containing [500](#)
 - using the GUI [500](#)
- Rogue Detection parameter [499](#)
- Rogue Location Discovery Protocol parameter [499](#)
- Rogue Policies page [499](#)
- rogue states [505](#)
- routed packets, ACLs on [200](#)
- routed ports [243](#)
- router ACLs [150, 152](#)
 - defined [150](#)
 - types of [152](#)

S

- SCP [126](#)
 - and SSH [126](#)
 - configuring [126](#)
- Secure Copy Protocol
- secure HTTP client [143, 144](#)
 - configuring [143](#)
 - displaying [144](#)
- secure HTTP server [139, 144](#)
 - configuring [139](#)
- secure HTTP server (*continued*)
 - displaying [144](#)
- Secure Shell [125](#)
- See also Kerberos[KDC [110](#)
 - zzz] [110](#)
- see HTTPS [133](#)
- See KDC [110](#)
- See RADIUS [63](#)
- See SCP [126](#)
- See TACACS+ [45](#)
- self-signed certificate [134](#)
- server [110](#)
- setting [26, 28, 31, 33](#)
 - enable [26](#)
 - enable secret [28](#)
 - Telnet [31](#)
 - with usernames [33](#)
- setting a command with [35](#)
- setting a password [31](#)
- Setting a Telnet Password for a Terminal Line [40](#)
 - Example command [40](#)
- Setting or Changing a Static Enable Password [39](#)
 - Example command [39](#)
- Setting the Privilege Level for a Command [40](#)
 - Example command [40](#)
- show access-lists hw-summary command [159](#)
- SSH [124, 125](#)
 - encryption methods [125](#)
 - user authentication methods, supported [125](#)
- SSH server [128](#)
- SSL [136, 139, 143, 144](#)
 - configuration guidelines [136](#)
 - configuring a secure HTTP client [143](#)
 - configuring a secure HTTP server [139](#)
 - monitoring [144](#)
- stack changes, effects on [155](#)
 - ACL configuration [155](#)
- static bindings [243, 245](#)
 - adding [243, 245](#)
- static hosts [245](#)
- statistics [395](#)
 - 802.1X [395](#)
- suggested network environments [63](#)
- SVIs [152](#)
 - and router ACLs [152](#)
- Switch Access [39](#)
 - displaying [39](#)
- switch as trusted third party [110](#)
- switched packets, ACLs on [199](#)

T

TACACS+ [45, 47, 49, 51, 54, 56, 58](#)
 accounting, defined [45](#)
 authentication, defined [45](#)
 authorization, defined [45](#)
 configuring [49, 51, 54, 56](#)
 accounting [56](#)
 authentication key [49](#)
 authorization [54](#)
 login authentication [51](#)
 default configuration [49](#)
 defined [45](#)
 displaying [58](#)
 identifying the server [49](#)
 key [49](#)
 limiting the services to the user [54](#)
 login [51](#)
 operation of [47](#)
 overview [45](#)
 tracking services accessed by user [56](#)

TCAM entries [243](#)

Telnet [31](#)
 setting a password [31](#)

temporary self-signed certificate [134](#)

Terminal Access Controller Access Control System Plus [45](#)
 See TACACS+ [45](#)

terminal lines, setting a password [31](#)

terms [110](#)

TGT [110](#)

tickets [110](#)

time ranges in ACLs [161, 171](#)

time-range command [161](#)

tracking services accessed by user [56, 96](#)

traffic [153, 154](#)
 fragmented [153, 154](#)

trunk interfaces [243](#)

trustpoints, CA [134](#)

U

user authentication methods, supported [125](#)

username-based authentication [33](#)

V

Validate Rogue Clients Against AAA parameter [500](#)

vendor-proprietary [101](#)

vendor-specific [99](#)

VLAN ACLs [150](#)
 See VLAN maps [150](#)

VLAN map entries, order of [159](#)

VLAN maps [150, 159, 180, 181, 182, 183, 184, 197, 198](#)
 applying [184](#)
 common uses for [197](#)
 configuration guidelines [159](#)
 configuring [180](#)
 creating [182](#)
 defined [150](#)
 denying access to a server example [198](#)
 denying and permitting packets [181, 183](#)

VRF [243](#)

W

web-based authentication [367, 373](#)
 customizeable web pages [373](#)
 description [367](#)

web-based authentication, interactions with other features [376](#)

wireless intrusion prevention system (wIPS) [517](#)
 described [517](#)

with RADIUS [90, 94, 96](#)

with TACACS+ [45, 51, 54, 56](#)

with usernames [33](#)

Z

zzz] [110](#)