



# Mounting the Kit Assembly (Wall, Pole, and Ceiling Mount) for Cisco Edge 340 Series

---

**First Published: July 10, 2013**  
**78-21289-01**

This guide explains how to assemble and install a support case safely, that:

- Provides physical stability for a Cisco Edge 340.
- Discourages tampering and prevents theft of the Cisco Edge 340.
- Can be mounted securely to:
  - A wall or pillar.
  - A suspended grid ceiling T-joint.
  - A metal pole.
- Facilitates airflow for ventilation.
- Is an adaptable and cost-effective alternative to complex cabinet-making and construction projects.

This guide is intended for the general contractors, specialty trade contractors, subcontractors, and other licensed professionals who are experienced in light construction work. This document contains the following section:

- [Product Kit Contents, page 2](#)
- [Tools That You Might Need, page 4](#)
- [Installation Scenarios, page 4](#)
- [Securing the Assembled Mounting Kit and the Cisco Edge 340, page 10](#)
- [Obtaining Documentation and Submitting a Service Request, page 10](#)



# Product Kit Contents

The product kit contains fabricated parts made from sheet metal and a plastic bag that holds standard supplies (fasteners). Installation scenarios in this guide refer to fasteners by the numbers as specified in the first column (No.) of [Table 1](#).

**Table 1** Fasteners (Not Shown to Exact Scale)










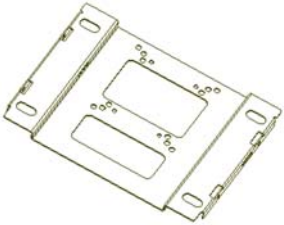
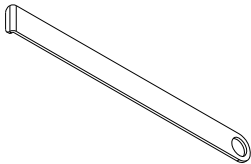
No.	Description				Appearance	Unified Thread Standard	Length in Inches	Head Diameter	Fastener	
	Drive Type	Head Shape	Driving Torque (inch-pounds)	Subcategory and Purpose					Type	Quantity
1	Phillips	Flat	12-14 in-lb	Machine screw. Used while fastening the Front Cover to the Back Plate.		8-32	0.375	.375/.345	Screw	4
2	Phillips	Round	18-20 in-lb	Machine screw. Used while fastening the Back Plate to a Pole-mount Bracket.		10-32	2.5	.359/.334	Screw	4
3	Phillips	Pan	14-16 in-lb	Self-tapping, tapered shaft, standard point sheet metal screw. Used in combination with a screw anchor and a No. 8 flat washer while fastening the Back Plate to a wall or pillar.		8-18	1	.306/.322	Screw	4
4	N.A.			Conical polyethylene expansion anchor (blue). Used in combination with a self-tapping sheet metal screw and a No. 8 flat washer while fastening the Back Plate to a wall or pillar.		6-10	.88	N.A.	Anchor	4
5	N.A.			Hex nut. Used while fastening a Ceiling-mount Bracket to a threaded stud on the Back Plate.		10-32	.25	N.A.	Nut	4
6	N.A.			No. 8 flat washer. Used in combination with a self-tapping machine screw and a screw anchor while fastening the Back Plate to a wall or pillar.		N.A.	.056	.495	Washer	4

Table 2 shows the fabricated parts that are contained in this product kit.

**Table 2**      **Fabricated Parts (Not Shown to Exact Scale)**

Description			Provided with This Mount Kit	Used in These Mounting Scenarios		
Name	Appearance	Quantity		ACC-E340-M-E	Wall or Pillar	Ceiling T-joint
Pole-mount Bracket		2	Yes	No		Yes
Ceiling-mount Bracket		2	Yes	No	Yes	No
Front Cover		1	Yes	Yes		
Back Plate		1	Yes	Yes		
Locking Plate		1	Yes	Yes		

## Tools That You Might Need

Your professional training and judgment as a licensed contractor will determine the actual tools that you use while completing any of the scenarios that this guide describes. Common tools for this purpose could include:

- A power drill or an awl
- A Phillips screwdriver
- A crescent wrench or socket wrench
- A pencil
- A bubble level or laser level

## Installation Scenarios

- [Mounting to a Wall or Pillar \(Concrete, Plaster, or Drywall\)](#), page 4
- [Mounting to a Suspended Grid Ceiling T-Joint](#), page 6
- [Mounting to a Metal Pole](#), page 8

## Mounting to a Wall or Pillar (Concrete, Plaster, or Drywall)

Install in accordance with local and national building codes.

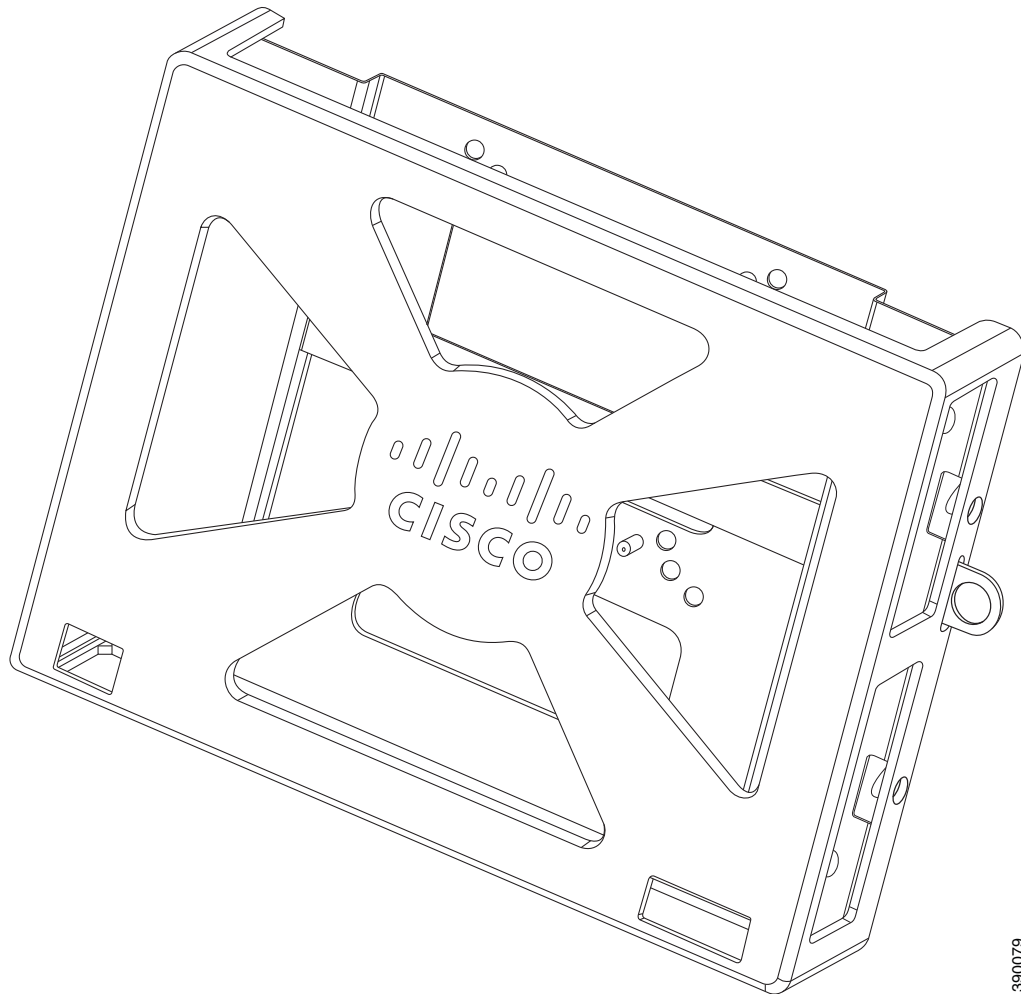
**Caution**

---

Before installation, consider carefully whether the installation site is strong enough to support the combined weight of an assembled metal case and the Cisco Edge 340 that it encloses.

---

**Figure 1** ACC-E340-M-E Assembled for Secure Mounting to a Wall or Pillar



## Before You Begin

- The fasteners for this scenario should be number 1,3,4, and 6. For information about these fasteners, see [Table 1 on page 2](#).
- To learn which fabricated parts to use, find the column that describes this scenario in [Table 2 on page 3](#).

## Procedure

- 
- Step 1** Hold the back plate flush against the wall or pillar, and place a mark through its bores at the points which you will drill holes into the wall.
- Step 2** Use a drill or an awl to drill wall bores that are 0.8125 in. (20.6375 mm) deep and 0.2344 in. (5.9531 mm) in diameter.
- Step 3** Seat the No. 4 anchors inside the wall bores.

- Step 4** Align the bores in the back plate with the seated anchors. The threaded studs on the back plate should point at you.
- Step 5** Perform the following tasks *for each bore in the back plate*:
- Carefully position a flat washer (No. 6) over the bore.
  - Thread a No. 3 screw through the flat washer and down into the corresponding bore.
  - Tighten the screw inside the seated anchor.
- Step 6** Place the front cover on a flat surface, such as a table or workbench. Its side supports should point at you.
- Step 7** Flip your Cisco Edge 340 upside-down and place it inside the front cover. The Cisco logo on the Cisco Edge 340 chassis should touch the center cross on the front cover, and should be aligned with the Cisco logo on the front cover.
- Step 8** Put the front cover onto the back plate so that the Cisco Edge 340 is between them. The bearing slot of the front cover should be aligned with the same one of the back plate.
- Step 9** Thread a No. 1 screw through each side support bore in the front cover until the screw head forms a level plane with the side support.
- Step 10** Insert the locking plate through the bearing slot on either side of the front cover, and then push it through the bearing slot in the opposite side.
- 

## Mounting to a Suspended Grid Ceiling T-Joint

Install in accordance with local and national building codes.

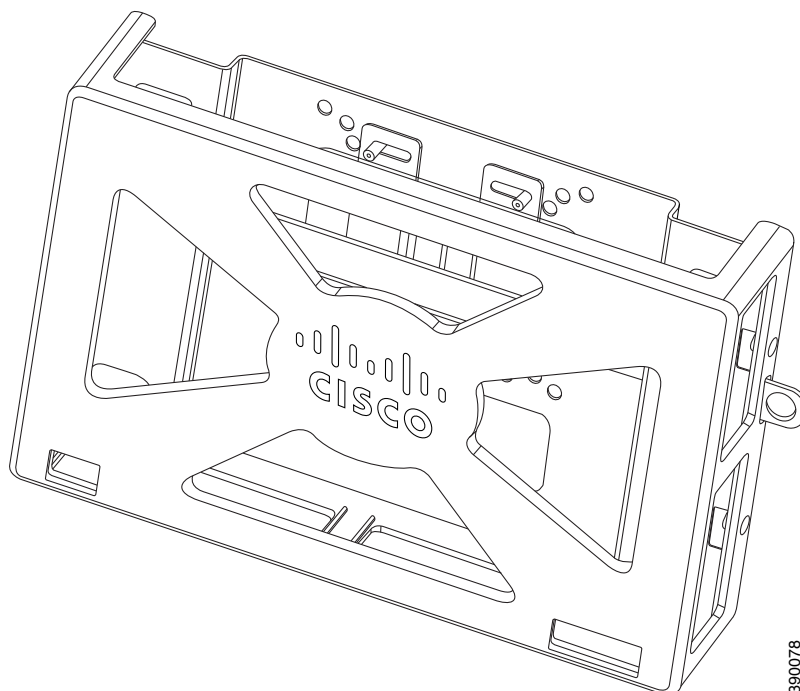


---

Before installation, consider carefully whether the installation site is strong enough to support the combined weight of an assembled metal case and the Cisco Edge 340 that it encloses.

---

**Figure 2** ACC-E340-M-E Assembled for Secure Mounting to a Ceiling



## Before You Begin

- The fasteners for this scenario should be number 1 and 5. For information about these fasteners, see [Table 1 on page 2](#).
- To learn which fabricated parts to use, find the column that describes this scenario in [Table 2 on page 3](#).

## Procedure

- 
- Step 1** Place the front cover on a flat surface, such as a table or workbench. Its side supports should point at you.
- Step 2** Flip your Cisco Edge 340 upside-down and place it inside the front cover. The Cisco logo on the Cisco Edge 340 chassis should touch the center cross on the front cover, and should be aligned with the Cisco logo on the front cover.
- Step 3** Place the back plate on a flat surface. The threaded studs on the back plate should point at you.
- Step 4** Place the two ceiling-mount brackets on the back plate so that *all* of the following statements are true:
- Two studs from the back plate are threaded through two slots on the first bracket.
  - The other two studs from the back plate are threaded similarly through the slots on the second bracket.
  - The flange of each bracket is oriented downward, and each flange is pointed at the other.
- Step 5** Place the hex nuts (No. 5) over the threaded studs, and then partially tighten the nuts. The nuts should be loose enough for each of the ceiling-mount brackets to move easily.

- Step 6** Slide the ceiling-mount brackets away from one another, and then hold them apart while you flip over the back plate. Its hex nuts should now point at the floor.
- Step 7** Raise the back plate towards a suspended grid ceiling and hold it such that its two ceiling-mount brackets straddle opposite sides of one T-joint.
- Step 8** Slide the ceiling-mount brackets together, enclosing the T-joint, and then tighten the hex nuts completely.
- Step 9** Put the front cover onto the back plate such that the Cisco Edge 340 is between them. The bearing slot of the front cover should be aligned with the same one of the back plate.
- Step 10** Thread a No. 1 screw through each side support bore in the front cover until the screw head forms a level plane with the side support.
- Step 11** Insert the locking plate through the bearing slot on either side of the front cover and then push it through the bearing slot in the opposite side.
- 

## Mounting to a Metal Pole

Install in accordance with local and national building codes.



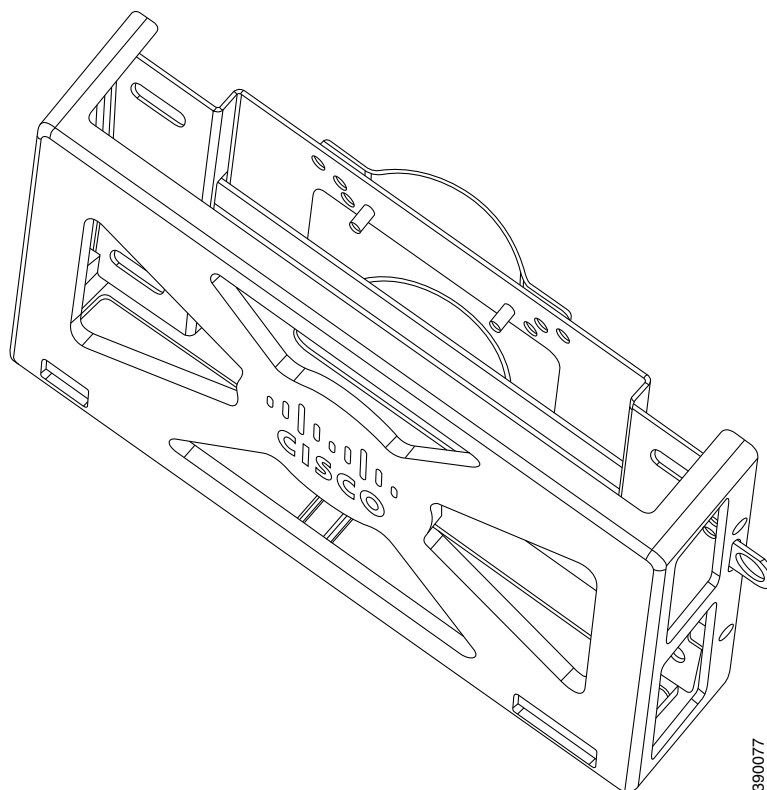
### Caution

Before installation, consider carefully whether the installation site is strong enough to support the combined weight of an assembled metal case and the Cisco Edge 340 that it encloses.

---



**Figure 3** ACC-E340-M-E Assembled for Secure Mounting to a Metal Pole Using One Bracket



390077

## Before You Begin

- The fasteners for this scenario should be number 1 and 2. For information about these fasteners, see [Table 1 on page 2](#).
- To learn which fabricated parts to use, find the column that describes this scenario in [Table 2 on page 3](#).
- To mount the case, you must use *both* of the fabricated pole-mount bracket pieces.

## Procedure

- 
- Step 1** Align the back plate against a sturdy metal pole. The threaded studs on the back plate should point at you.
- Step 2** Complete substeps **a** through **c** *twice*:
- Place the pole-mount bracket on the opposite side of the pole. Two bores in the bracket should be aligned with two similar bores in the back plate.
  - Thread a No. 2 screw through each bore in the back plate, past the pole, and into the corresponding bore in the pole-mount bracket.
  - Tighten the screws enough to secure the back plate and the pole-mount bracket to the pole.
- Step 3** Place the front cover on a flat surface, such as a table or workbench. Its side supports should point at you.

- Step 4** Flip your Cisco Edge 340 upside-down and place it inside the front cover. The Cisco logo on the Cisco Edge 340 chassis should touch the center cross on the front cover, and should be aligned with the Cisco logo on the front cover.
  - Step 5** Put the front cover onto the back plate such that the Cisco Edge 340 is between them. The bearing slot of the front cover should be aligned with the same one of the back plate.
  - Step 6** Thread each No. 1 screw through a side support bore in the front cover until the screw head forms a level plane with the side support.
  - Step 7** Insert the locking plate through the bearing slot on either side of the front cover, and then push it through the bearing slot in the opposite side.
- 

## Securing the Assembled Mounting Kit and the Cisco Edge 340

You can secure your assembled mounting kit and the Cisco Edge 340 that it contains, to discourage tampering and prevent theft. The method that you use is left to your discretion as a professional. The procedure described here is only one possible method.

---

- Step 1** Feed one end of a security cable through the mouth of the locking plate.
  - Step 2** Feed the other end of the security cable through or around a heavy, stationary object.
  - Step 3** Use a padlock to join both the ends of the security cable together.
- 

## Obtaining Documentation and Submitting a Service Request

For information on obtaining documentation, submitting a service request, and gathering additional information, see *What's New in Cisco Product Documentation* at:  
<http://www.cisco.com/en/US/docs/general/whatsnew/whatsnew.html>.

Subscribe to *What's New in Cisco Product Documentation*, which lists all new and revised Cisco technical documentation, as an RSS feed and deliver content directly to your desktop using a reader application. The RSS feeds are a free service.

---

Cisco and the Cisco logo are trademarks or registered trademarks of Cisco and/or its affiliates in the U.S. and other countries. To view a list of Cisco trademarks, go to this URL: [www.cisco.com/go/trademarks](http://www.cisco.com/go/trademarks). Third-party trademarks mentioned are the property of their respective owners. The use of the word partner does not imply a partnership relationship between Cisco and any other company. (1110R)

Any Internet Protocol (IP) addresses used in this document are not intended to be actual addresses. Any examples, command display output, and figures included in the document are shown for illustrative purposes only. Any use of actual IP addresses in illustrative content is unintentional and coincidental.

© 2013 Cisco Systems, Inc. All rights reserved.



# 安装 Cisco Edge 340 系列的组件套件 (墙壁、柱杆和吊顶安装)

---

首次发行日期：2013 年 7 月 10 日  
78-21289-01

本指南介绍如何安全组装和安装支架外壳，此外壳。

- 为 Cisco Edge 340 系列提供物理稳定性。
- 防止改装和失窃。
- 可以安全安装到：
  - 墙壁或立柱上。
  - 网格吊顶的丁字接头上。
  - 金属杆上。
- 改善气流，增强通风。
- 是一种适应性强且成本效益高的替代方案，可取代复杂的机柜搭设和施工工程。

本指南为总承包商、专业行业承包商、分包商和其他从事轻型建筑施工的持证专业人员而编写。本文档包含以下部分：

- [产品套件内容，第 2 页](#)
- [可能需要的工具，第 4 页](#)
- [安装情景，第 4 页](#)
- [保护完成组装的安装套件和 Cisco Edge 340，第 9 页](#)
- [获取文档和提交服务请求，第 9 页](#)



# 产品套件内容




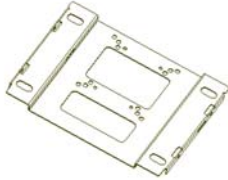
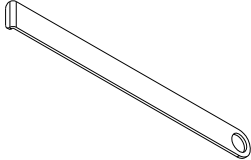
产品套件中包含由金属片制成的预制件和用于放置标准供应品（紧固件）的塑料袋。本指南中的安装情景使用表 1 第一列（编号列）中指定的编号来表示紧固件。

表 1 紧固件（非实物大小）

编号	说明							紧固件		
	螺丝刀类型	螺钉帽形状	螺丝刀扭矩 (英寸-磅)	子类别与用途	外观	统一螺纹标准	长度 (英寸)	螺钉帽直径	类型	数量
1	十字	平头	12-14 英寸-磅	机械螺钉。用于将前侧护罩固定到后侧支撑板上。		8-32	0.375	0.375/ 0.345	螺钉	4
2	十字	圆头	18-20 英寸-磅	机械螺钉。用于将后侧支撑板固定到柱杆安装支架上。		10-32	2.5	0.359/ 0.334	螺钉	4
3	十字	盘头	14-16 英寸-磅	自攻型、锥形轴、标准点金属板螺钉。与锚栓和 8 号平垫圈一起用于将后侧支撑板固定到墙壁或立柱上。		8-18	1	0.306/ 0.322	螺钉	4
4	不适用			锥形聚乙烯膨胀锚（蓝色）。与自攻型金属板螺钉和 8 号平垫圈一起用于将后侧支撑板固定到墙壁或立柱上。		6-10	0.88	不适用	锚	4
5	不适用			六角螺母 用于将吊顶安装支架固定到后侧支撑板上的螺柱上。		10-32	0.25	不适用	螺母	4
6	不适用			8 号平垫圈。与自攻型机械螺钉和螺旋锚一起用于将后侧支撑板固定到墙壁或立柱上。		不适用	0.056	0.495	垫圈	4

表 2 中列出了此产品套件中包含的组装部件。

表 2 组装部件（非实物大小）

说明 名称	外观	数量	随此安 装套件 提供	用于以下安装情景		
			ACC-E340-M-E	柱 管 壁 增	吊 顶 丁 字 接 头	金 属 柱
柱杆安装支架		2	是	否		是
吊顶安装支架		2	是	否	是	否
前侧护罩		1	是	是		
后侧支撑板		1	是	是		
定位板		1	是	是		

## 可能需要的工具

在完成本指南中描述的任何情景时，您可以根据所接受的专业培训和授权承包商资质来判断实际需要使用的工具。针对此用途的常用工具包括：

- 电钻或锥子
- 十字螺丝刀
- 月牙扳手或套筒扳手
- 铅笔
- 气泡水平仪或激光水平仪

## 安装情景

- [安装到墙壁或立柱上（水泥墙、塑料板或石膏板），第 4 页](#)
- [安装到网格吊顶的丁字接头上，第 6 页](#)
- [安装到金属杆上，第 7 页](#)

## 安装到墙壁或立柱上（水泥墙、塑料板或石膏板）

请遵照当地和国家建筑法规要求进行安装。



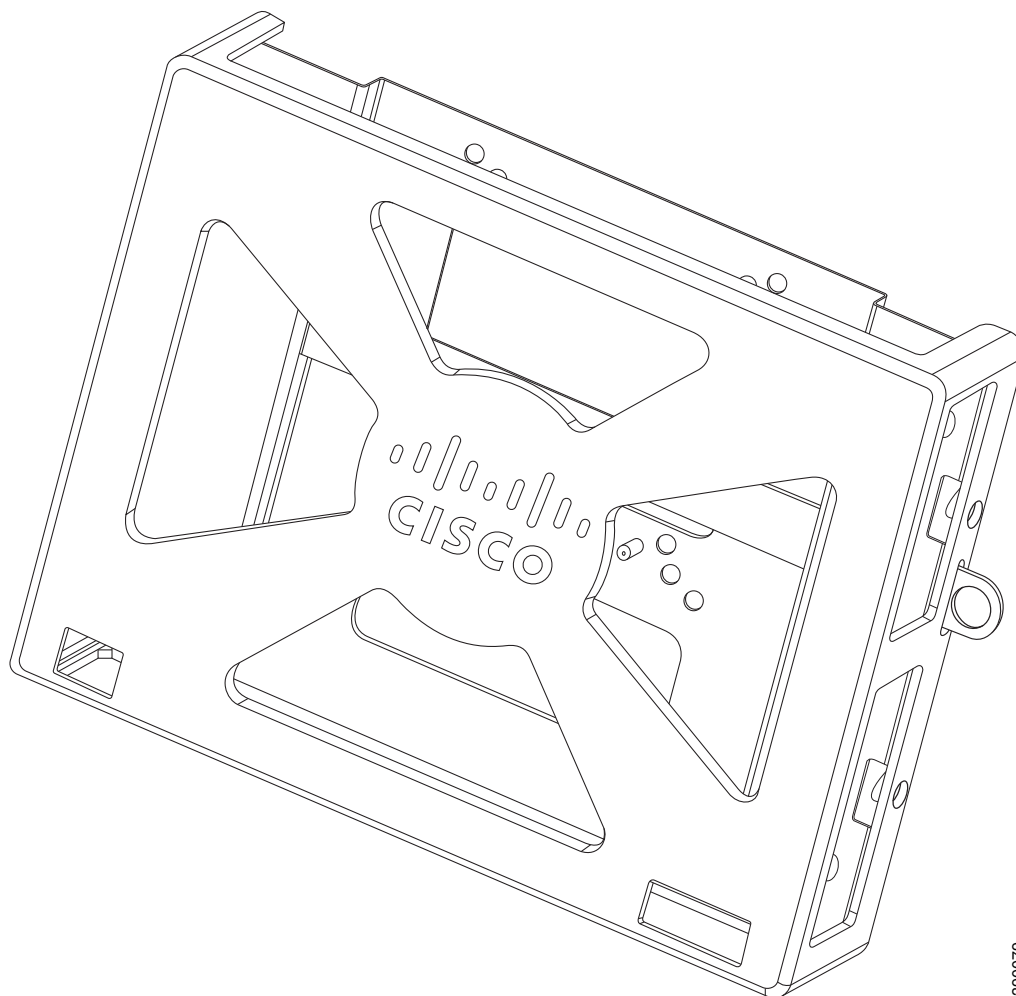
### 注意事项

---

在安装之前，请慎重考虑安装位置是否足够牢固，能否支撑组装后的金属外壳及其所含 Cisco Edge 340 的总重量。

---

图 1 用于墙面或立柱上的安全安装的 ACC-E340-M-E



390079

## 准备工作

- 此情景的紧固件编号应为 1、3、4 和 6。有关这些紧固件的信息，请参阅第 2 页上的表 1。
- 要了解需要使用的组装部件，请参考第 3 页上的表 2 中描述此情景的列。

## 操作步骤

- 步骤 1** 握住后侧支撑板，使其与墙壁或立柱齐平，穿过支撑板上的螺纹孔标记要在墙壁上钻孔的点。
- 步骤 2** 使用电钻或锥子在墙壁上钻出深度为 0.8125 英寸（20.6375 毫米）和直径为 0.2344 英寸（5.9531 毫米）的孔。
- 步骤 3** 将编号 4 的锚插入墙壁上的孔中。
- 步骤 4** 将后侧支撑板上的螺纹孔对准插入墙壁的锚。后侧支撑板上的螺柱应指向您。

**步骤 5** 对后侧支撑板上的每个螺纹孔执行以下操作：

- a. 小心地将平垫圈（编号 6）放在孔上。
- b. 将编号 3 螺钉穿过平垫圈，然后插入相应的螺纹孔中。
- c. 将螺钉拧入插在墙壁上的锚中。

**步骤 6** 将前侧护罩放在平面上，例如桌子或工作台上。护罩的侧边支架应朝向您。

**步骤 7** 翻转 Cisco Edge 340 使其正面向下，然后将将其置入前侧护罩中。Cisco Edge 340 机箱上的思科徽标应对准侧护罩的中心，并与前侧护罩中心的思科徽标保持同一方向。

**步骤 8** 将前侧护罩放到后侧支撑板上，将 Cisco Edge 340 夹在中间，使得前侧护罩与后侧支撑板上的定位板止动插槽对齐。

**步骤 9** 将编号 1 螺钉拧入前侧护罩中的各侧边支架螺纹孔，直至螺钉头与侧边支架位于同一水平面上。

**步骤 10** 将定位板插入前侧护罩上任意一边的止动插槽，然后将其推到另一边的止动插槽。

## 安装到网格吊顶的丁字接头上

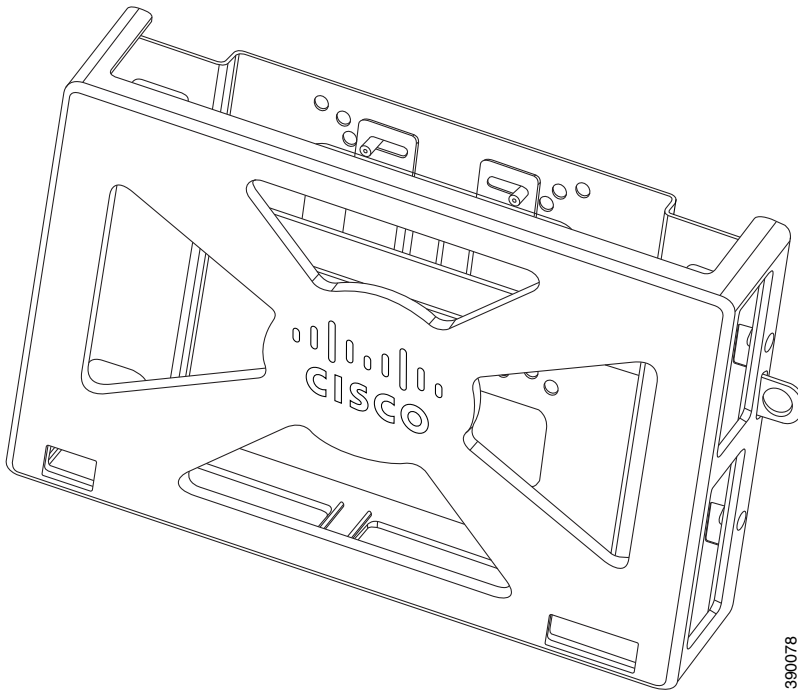
请遵照当地和国家建筑法规要求进行安装。



### 注意事项

在安装之前，请慎重考虑安装位置是否足够牢固，能否支撑组装后的金属外壳及其所含 Cisco Edge 340 的总重量。

**图 2** 用于吊顶上的安全安装的 ACC-E340-M-E





## 准备工作

- 此情景的紧固件编号应为 1 和 5。有关这些紧固件的信息，请参阅第 2 页上的表 1。
- 要了解需要使用的组装部件，请参考第 3 页上的表 2 中描述此情景的列。

## 操作步骤

- 
- 步骤 1** 将前侧护罩放在平面上，例如桌子或工作台上。护罩的侧边支架应朝向您。
- 步骤 2** 翻转 Cisco Edge 340 使其正面向下，然后将将其置入前侧护罩中。Cisco Edge 340 机箱上的思科徽标应对准侧护罩的中心，并与前侧护罩中心的思科徽标保持同一方向。
- 步骤 3** 将后侧支撑板放在平面上。后侧支撑板上的螺柱应朝向您。
- 步骤 4** 将两个吊顶安装支架放在后侧支撑板上，使其满足下述所有条件：
- 后侧支撑板上的两个螺柱应穿过第一个支架上的两个插孔。
  - 后侧支撑板上的另外两个螺柱应以类似方式穿过第二个支架上的插孔。
  - 每个支架的凸缘应朝下，两个凸缘彼此相对。
- 步骤 5** 将六角螺母（编号 5）放在螺柱上，然后部分拧入螺母。每个吊顶安装支架上螺母的松紧程度应合适，以便轻松移动。
- 步骤 6** 将两个吊顶安装支架向相反的方向滑动，然后翻转后侧支撑板，翻转时保持两个吊顶安装支架彼此分开。六角螺母现在应该朝向地板。
- 步骤 7** 朝网格吊顶的方向举起后侧支撑板并握住，让两个吊顶安装支架分别位于一个丁字接头的两侧。
- 步骤 8** 将两个吊顶安装支架滑到一起，包住丁字接头，然后完全拧紧六角螺母。
- 步骤 9** 将前侧护罩放到后侧支撑板上，将 Cisco Edge 340 夹在中间，使得前侧护罩与后侧支撑板上的定位板止动插槽对齐。
- 步骤 10** 将编号 1 螺钉穿过螺钉拧入前侧护罩中的各侧边支架螺纹孔，直至螺钉头与侧边支架位于同一水准面上。
- 步骤 11** 将定位板插入前侧护罩上任意一边的止动插槽，然后将其推到另一边的止动插槽。
- 

## 安装到金属杆上

请遵照当地和国家建筑法规要求进行安装。

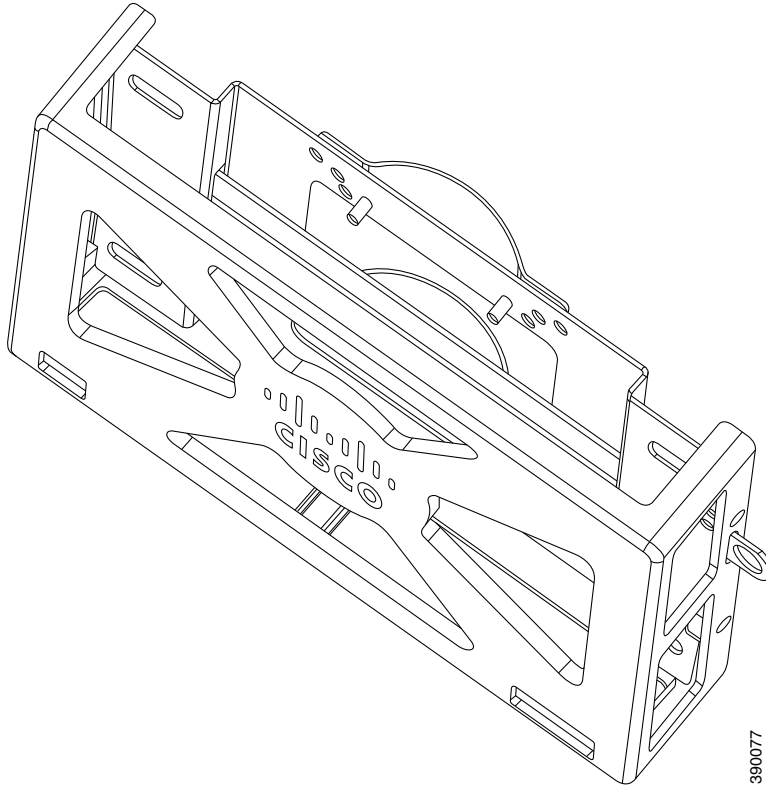


### 注意事项

在安装之前，请慎重考虑安装位置是否足够牢固，能否支撑组装后的金属外壳及其所含 Cisco Edge 340 的总重量。

---

图 3 用于使用一个支架的金属杆的安全安装的 ACC-E340-M-E



## 准备工作

- 此情景的紧固件编号应为 1 和 2。有关这些紧固件的信息，请参阅第 2 页上的表 1。
- 要了解需要使用哪些组装部件，请参考第 3 页上的表 2 中描述此情景的列。
- 要安装外壳，您必须使用两个焊接金属杆安装支架。

## 操作步骤

**步骤 1** 将后侧支撑板与牢固的金属杆对齐。后侧支撑板上的螺柱应指向您。

**步骤 2** 完成子步骤 a 到 c 两次：

- 将金属杆安装支架安装到金属杆的相对两侧。支架上的两个螺纹孔应与后侧支撑板上两个类似螺纹孔对齐。
- 将编号 2 螺钉穿过 后侧支撑板上各个螺纹孔，绕过金属杆，插入金属杆安装支架上的相应螺纹孔。
- 充分拧紧螺钉，确保可以牢固地将后侧支撑板和金属杆安装支架固定到金属杆上。

**步骤 3** 将前侧护罩放在平面上，例如桌子或工作台上。护罩的侧边支架应朝向您。

**步骤 4** 翻转 Cisco Edge 340 使其正面向下，然后将其置入前侧护罩中。Cisco Edge 340 机箱上的思科徽标应对准侧护罩的中心交汇处，并与前侧护罩中心的思科徽标保持同一方向。

- 步骤 5** 将前侧护罩放到后侧支撑板上，将 Cisco Edge 340 夹在中间，使得前侧护罩与后侧支撑板上的定位板止动插槽对齐。
  - 步骤 6** 将编号 1 螺钉拧入前侧护罩中的一个侧边支架螺纹孔，直至螺钉头与侧边支架位于同一水准面上。
  - 步骤 7** 将定位板插入前侧护罩上任意一边的止动插槽，然后将其推到另一边的止动插槽。
- 

## 保护完成组装的安装套件和 Cisco Edge 340

您可以保护完成组装的安装套件和套件中包含的 Cisco Edge 340，防止改装和失窃。您所使用的方法可以根据您的专业知识来决定。本文中介绍的流程只是可供使用的一种方法。

- 步骤 1** 将安全电缆的一端穿过定位板的开口。
  - 步骤 2** 将安全电缆的另一端穿过或绕在固定重物上。
  - 步骤 3** 使用挂锁将安全电缆的两端固定到一起。
- 

## 获取文档和提交服务请求

有关获取文档、提交服务请求和收集更多信息的相关内容，请参阅 *思科产品文档更新*，网址为：<http://www.cisco.com/en/US/docs/general/whatsnew/whatsnew.html>。

通过 RSS 源的方式订阅 *思科产品文档更新*（其中包括所有新的和修改过的思科技术文档），并将相关内容通过阅读器应用程序直接发送至您的桌面。RSS 源是一种免费服务。

思科和思科徽标是思科和/或其附属公司在美国以及其他国家/地区的商标或注册商标。要查看思科商标列表，请访问此 URL：[www.cisco.com/go/trademarks](http://www.cisco.com/go/trademarks)。本文提及的第三方商标均归属其各自所有者。使用“合作伙伴关系”一词并不意味着思科和任何其他公司存在合伙关系。(1110R)

本文档中使用的任何 Internet 协议 (IP) 地址都不是有意使用的真实地址。本文档中所含的任何示例、命令显示输出和图形仅供说明之用。说明内容中用到的任何真实 IP 地址都纯属巧合，并非有意使用。

© 2013 Cisco Systems, Inc. 保留所有权利。

