



Configuring Web-Based Authentication

This chapter describes how to configure web-based authentication on the Catalyst 3850 switch. It contains these sections:

- [Finding Feature Information, page 1](#)
- [Information About Web-Based Authentication, page 1](#)
- [How to Configure Web-Based Authentication, page 10](#)
- [Monitoring Web-Based Authentication Status, page 23](#)

Finding Feature Information

Your software release may not support all the features documented in this module. For the latest feature information and caveats, see the release notes for your platform and software release.

Use Cisco Feature Navigator to find information about platform support and Cisco software image support. To access Cisco Feature Navigator, go to <http://www.cisco.com/go/cfn>. An account on Cisco.com is not required.

Related Topics

[Feature History and Information for Troubleshooting Software Configuration](#)

Information About Web-Based Authentication

Use the web-based authentication feature, known as web authentication proxy, to authenticate end users on host systems that do not run the IEEE 802.1x supplicant.



Note

You can configure web-based authentication on Layer 2 and Layer 3 interfaces.

When you initiate an HTTP session, web-based authentication intercepts ingress HTTP packets from the host and sends an HTML login page to the users. The users enter their credentials, which the web-based authentication feature sends to the authentication, authorization, and accounting (AAA) server for authentication.

If authentication succeeds, web-based authentication sends a Login-Successful HTML page to the host and applies the access policies returned by the AAA server.

If authentication fails, web-based authentication forwards a Login-Fail HTML page to the user, prompting the user to retry the login. If the user exceeds the maximum number of attempts, web-based authentication forwards a Login-Expired HTML page to the host, and the user is placed on a watch list for a waiting period.

These sections describe the role of web-based authentication as part of AAA:

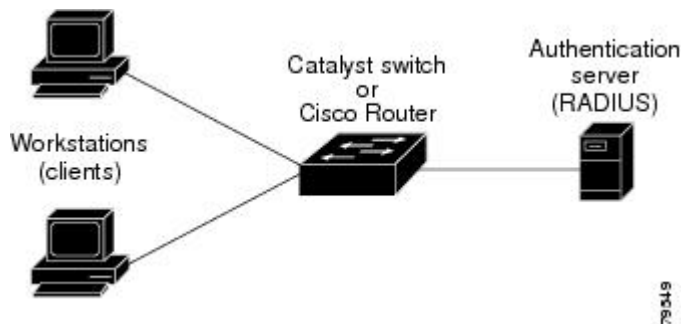
Device Roles

With web-based authentication, the devices in the network have these specific roles:

- *Client*—The device (workstation) that requests access to the LAN and the services and responds to requests from the switch. The workstation must be running an HTML browser with Java Script enabled.
- *Authentication server*—Authenticates the client. The authentication server validates the identity of the client and notifies the switch that the client is authorized to access the LAN and the switch services or that the client is denied.
- *Switch*—Controls the physical access to the network based on the authentication status of the client. The switch acts as an intermediary (proxy) between the client and the authentication server, requesting identity information from the client, verifying that information with the authentication server, and relaying a response to the client.

This figure shows the roles of these devices in a network.

Figure 1: Web-Based Authentication Device Roles



Host Detection

The switch maintains an IP device tracking table to store information about detected hosts.



Note

By default, the IP device tracking feature is disabled on a switch. You must enable the IP device tracking feature to use web-based authentication.

For Layer 2 interfaces, web-based authentication detects IP hosts by using these mechanisms:

- ARP based trigger—ARP redirect ACL allows web-based authentication to detect hosts with a static IP address or a dynamic IP address.
- Dynamic ARP inspection
- DHCP snooping—Web-based authentication is notified when the switch creates a DHCP-binding entry for the host.

Session Creation

When web-based authentication detects a new host, it creates a session as follows:

- Reviews the exception list.
If the host IP is included in the exception list, the policy from the exception list entry is applied, and the session is established.
- Reviews for authorization bypass
If the host IP is not on the exception list, web-based authentication sends a nonresponsive-host (NRH) request to the server.
If the server response is access accepted, authorization is bypassed for this host. The session is established.
- Sets up the HTTP intercept ACL
If the server response to the NRH request is access rejected, the HTTP intercept ACL is activated, and the session waits for HTTP traffic from the host.

Authentication Process

When you enable web-based authentication, these events occur:

- The user initiates an HTTP session.
- The HTTP traffic is intercepted, and authorization is initiated. The switch sends the login page to the user. The user enters a username and password, and the switch sends the entries to the authentication server.
- If the authentication succeeds, the switch downloads and activates the user's access policy from the authentication server. The login success page is sent to the user.
- If the authentication fails, the switch sends the login fail page. The user retries the login. If the maximum number of attempts fails, the switch sends the login expired page, and the host is placed in a watch list. After the watch list times out, the user can retry the authentication process.
- If the authentication server does not respond to the switch, and if an AAA fail policy is configured, the switch applies the failure access policy to the host. The login success page is sent to the user.
- The switch reauthenticates a client when the host does not respond to an ARP probe on a Layer 2 interface, or when the host does not send any traffic within the idle timeout on a Layer 3 interface.
- The feature applies the downloaded timeout or the locally configured session timeout.
- If the terminate action is RADIUS, the feature sends a nonresponsive host (NRH) request to the server. The terminate action is included in the response from the server.

- If the terminate action is default, the session is dismantled, and the applied policy is removed.

Local Web Authentication Banner

With Web Authentication, you can create a default and customized web-browser banners that appears when you log in to a switch.

The banner appears on both the login page and the authentication-result pop-up pages. The default banner messages are as follows:

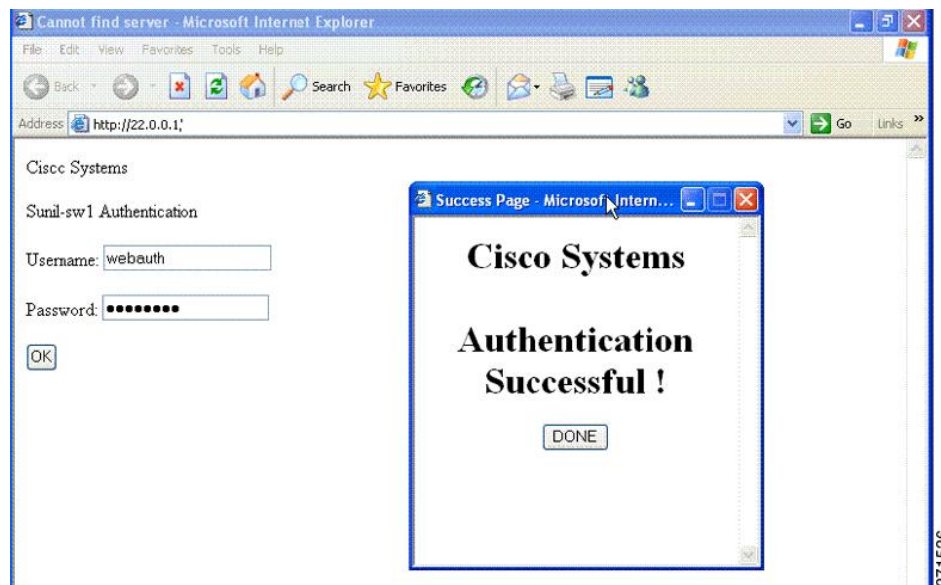
- *Authentication Successful*
- *Authentication Failed*
- *Authentication Expired*

The Local Web Authentication Banner can be configured in legacy and new-style (Session-aware) CLIs as follows:

- Legacy mode—Use the **ip admission auth-proxy-banner http** global configuration command.
- New-style mode—Use the **parameter-map type webauth global banner** global configuration command.

The default banner *Cisco Systems* and *Switch host-name Authentication* appear on the Login Page. *Cisco Systems* appears on the authentication result pop-up page.

Figure 2: Authentication Successful Banner

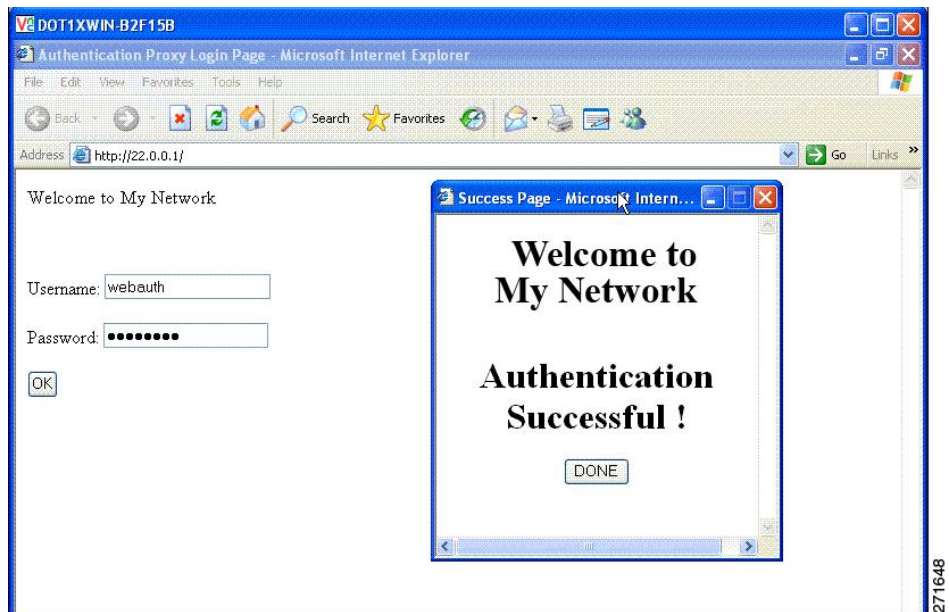


The banner can be customized as follows:

- Add a message, such as switch, router, or company name to the banner:
 - Legacy mode—Use the **ip admission auth-proxy-banner http banner-text** global configuration command.

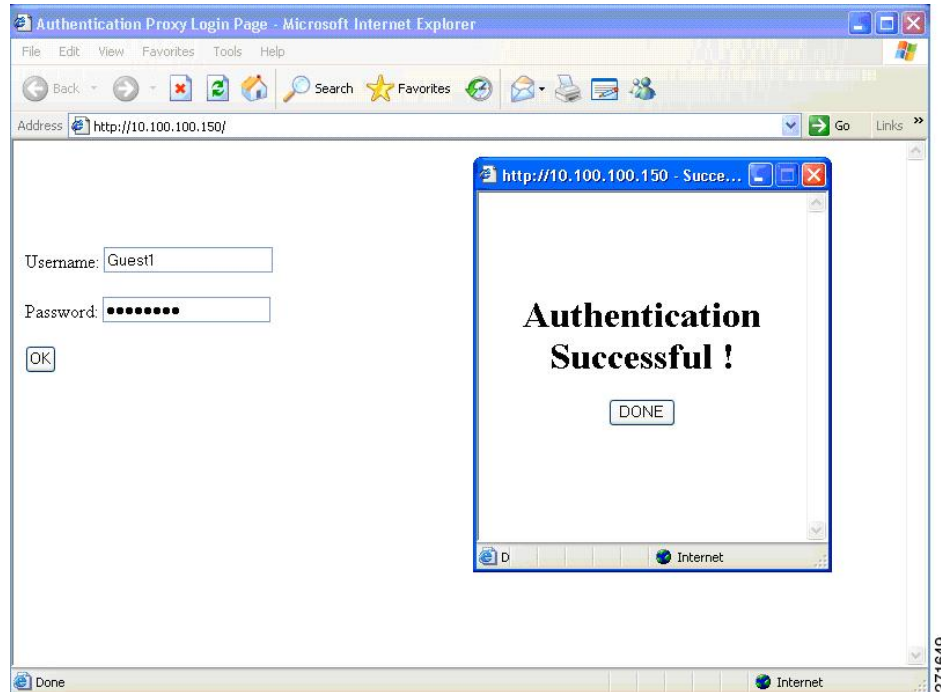
- New-style mode—Use the **parameter-map type webauth global banner** global configuration command
- Add a logo or text file to the banner :
 - Legacy mode—Use the **ip admission auth-proxy-banner http file-path** global configuration command.
 - New-style mode—Use the **parameter-map type webauth global banner** global configuration command

Figure 3: Customized Web Banner



If you do not enable a banner, only the username and password dialog boxes appear in the web authentication login screen, and no banner appears when you log into the switch.

Figure 4: Login Screen With No Banner



For more information, see the *Session Aware Networking Configuration Guide, Cisco IOS XE Release 3SE (Catalyst 3850 Switches)*, *Session Aware Networking Configuration Guide, Cisco IOS XE Release 3SE (Catalyst 3850 Switches)* and the *Web Authentication Enhancements - Customizing Authentication Proxy Web Pages*.

Web Authentication Customizable Web Pages

During the web-based authentication process, the switch internal HTTP server hosts four HTML pages to deliver to an authenticating client. The server uses these pages to notify you of these four-authentication process states:

- Login—Your credentials are requested.
- Success—The login was successful.
- Fail—The login failed.
- Expire—The login session has expired because of excessive login failures.

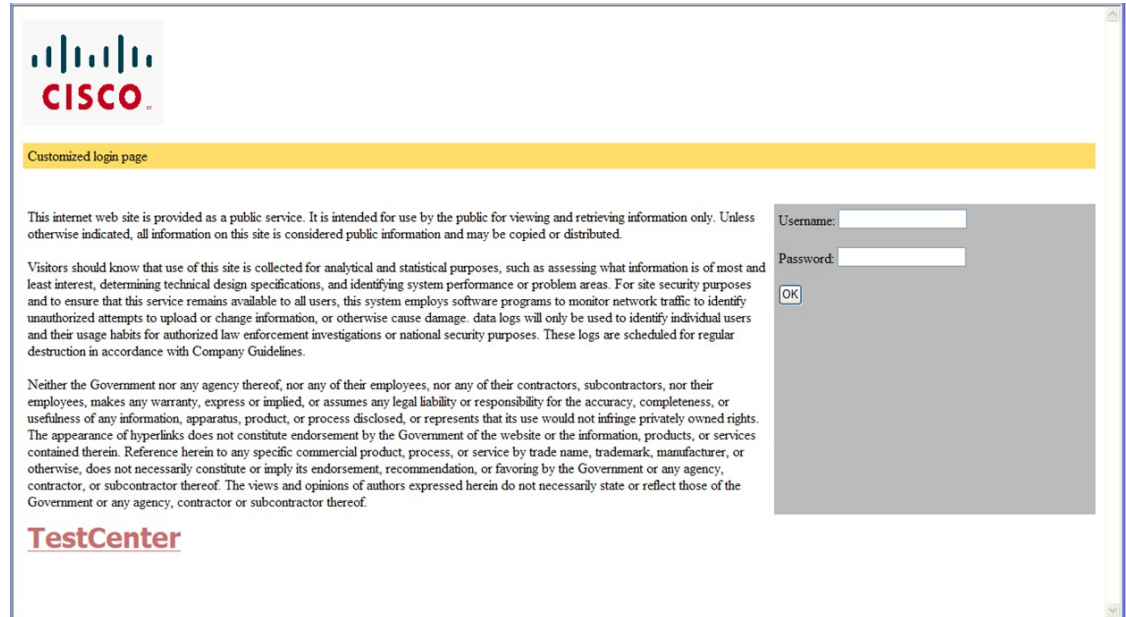
Guidelines

- You can substitute your own HTML pages for the default internal HTML pages.
- You can use a logo or specify text in the *login*, *success*, *failure*, and *expire* web pages.

- On the banner page, you can specify text in the login page.
- The pages are in HTML.
- You must include an HTML redirect command in the success page to access a specific URL.
- The URL string must be a valid URL (for example, `http://www.cisco.com`). An incomplete URL might cause *page not found* or similar errors on a web browser.
- If you configure web pages for HTTP authentication, they must include the appropriate HTML commands (for example, to set the page time out, to set a hidden password, or to confirm that the same page is not submitted twice).
- The CLI command to redirect users to a specific URL is not available when the configured login form is enabled. The administrator should ensure that the redirection is configured in the web page.
- If the CLI command redirecting users to specific URL after authentication occurs is entered and then the command configuring web pages is entered, the CLI command redirecting users to a specific URL does not take effect.
- Configured web pages can be copied to the switch boot flash or flash.
- On stackable switches, configured pages can be accessed from the flash on the stack master or members.
- The login page can be on one flash, and the success and failure pages can be another flash (for example, the flash on the stack master or a member).
- You must configure all four pages.
- The banner page has no effect if it is configured with the web page.
- All of the logo files (image, flash, audio, video, and so on) that are stored in the system directory (for example, flash, disk0, or disk) and that must be displayed on the login page must use `web_auth_<filename>` as the file name.
- The configured authentication proxy feature supports both HTTP and SSL.

You can substitute your HTML pages for the default internal HTML pages. You can also specify a URL to which users are redirected after authentication occurs, which replaces the internal Success page.

Figure 5: Customizable Authentication Page



Authentication Proxy Web Page Guidelines

When configuring customized authentication proxy web pages, follow these guidelines:

- To enable the custom web pages feature, specify all four custom HTML files. If you specify fewer than four files, the internal default HTML pages are used.
- The four custom HTML files must be present on the flash memory of the switch. The maximum size of each HTML file is 8 KB.
- Any images on the custom pages must be on an accessible HTTP server. Configure an intercept ACL within the admission rule.
- Any external link from a custom page requires configuration of an intercept ACL within the admission rule.
- To access a valid DNS server, any name resolution required for external links or images requires configuration of an intercept ACL within the admission rule.
- If the custom web pages feature is enabled, a configured auth-proxy-banner is not used.
- If the custom web pages feature is enabled, the redirection URL for successful login feature is not available.
- To remove the specification of a custom file, use the **no** form of the command.

Because the custom login page is a public web form, consider these guidelines for the page:

- The login form must accept user entries for the username and password and must show them as **uname** and **pwd**.
- The custom login page should follow best practices for a web form, such as page timeout, hidden password, and prevention of redundant submissions.

Related Topics

[Customizing the Authentication Proxy Web Pages](#), on page 18

Redirection URL for Successful Login Guidelines

When configuring a redirection URL for successful login, consider these guidelines:

- If the custom authentication proxy web pages feature is enabled, the redirection URL feature is disabled and is not available in the CLI. You can perform redirection in the custom-login success page.
- If the redirection URL feature is enabled, a configured auth-proxy-banner is not used.
- To remove the specification of a redirection URL, use the **no** form of the command.

Related Topics

[Specifying a Redirection URL for Successful Login](#), on page 19

Web-based Authentication Interactions with Other Features

Port Security

You can configure web-based authentication and port security on the same port. Web-based authentication authenticates the port, and port security manages network access for all MAC addresses, including that of the client. You can then limit the number or group of clients that can access the network through the port.

For more information about enabling port security, see the .

LAN Port IP

You can configure LAN port IP (LPIP) and Layer 2 web-based authentication on the same port. The host is authenticated by using web-based authentication first, followed by LPIP posture validation. The LPIP host policy overrides the web-based authentication host policy.

If the web-based authentication idle timer expires, the NAC policy is removed. The host is authenticated, and posture is validated again.

Gateway IP

You cannot configure Gateway IP (GWIP) on a Layer 3 VLAN interface if web-based authentication is configured on any of the switch ports in the VLAN.

You can configure web-based authentication on the same Layer 3 interface as Gateway IP. The host policies for both features are applied in software. The GWIP policy overrides the web-based authentication host policy.

ACLs

If you configure a VLAN ACL or a Cisco IOS ACL on an interface, the ACL is applied to the host traffic only after the web-based authentication host policy is applied.

For Layer 2 web-based authentication, it is more secure, though not required, to configure a port ACL (PACL) as the default access policy for ingress traffic from hosts connected to the port. After authentication, the web-based authentication host policy overrides the PACL. The Policy ACL is applied to the session even if there is no ACL configured on the port.

You cannot configure a MAC ACL and web-based authentication on the same interface.

You cannot configure web-based authentication on a port whose access VLAN is configured for VACL capture.

Context-Based Access Control

Web-based authentication cannot be configured on a Layer 2 port if context-based access control (CBAC) is configured on the Layer 3 VLAN interface of the port VLAN.

EtherChannel

You can configure web-based authentication on a Layer 2 EtherChannel interface. The web-based authentication configuration applies to all member channels.

How to Configure Web-Based Authentication

Default Web-Based Authentication Configuration

The following table shows the default web-based authentication configuration.

Table 1: Default Web-based Authentication Configuration

Feature	Default Setting
AAA	Disabled
RADIUS server <ul style="list-style-type: none"> • IP address • UDP authentication port • Key 	<ul style="list-style-type: none"> • None specified • 1645 • None specified
Default value of inactivity timeout	3600 seconds
Inactivity timeout	Enabled

Web-Based Authentication Configuration Guidelines and Restrictions

- Web-based authentication is an ingress-only feature.
- You can configure web-based authentication only on access ports. Web-based authentication is not supported on trunk ports, EtherChannel member ports, or dynamic trunk ports.
- You cannot authenticate hosts on Layer 2 interfaces with static ARP cache assignment. These hosts are not detected by the web-based authentication feature because they do not send ARP messages.
- By default, the IP device tracking feature is disabled on a switch. You must enable the IP device tracking feature to use web-based authentication.
- You must configure at least one IP address to run the switch HTTP server. You must also configure routes to reach each host IP address. The HTTP server sends the HTTP login page to the host.
- Hosts that are more than one hop away might experience traffic disruption if an STP topology change results in the host traffic arriving on a different port. This occurs because the ARP and DHCP updates might not be sent after a Layer 2 (STP) topology change.
- Web-based authentication does not support VLAN assignment as a downloadable-host policy.
- Web-based authentication supports IPv6 in Session-aware policy mode. IPv6 Web-authentication requires at least one IPv6 address configured on the switch and IPv6 Snooping configured on the switchport.
- Web-based authentication and Network Edge Access Topology (NEAT) are mutually exclusive. You cannot use web-based authentication when NEAT is enabled on an interface, and you cannot use NEAT when web-based authentication is running on an interface.

Configuring the Authentication Rule and Interfaces

Examples in this section are legacy-style configurations. For new-style configurations, see the *Session Aware Networking Configuration Guide, Cisco IOS XE Release 3SE (Catalyst 3850 Switches)*

This example shows how to verify the configuration:

```
Switch# show ip admission status
IP admission status:
  Enabled interfaces           0
  Total sessions              0
  Init sessions               0      Max init sessions allowed    100
    Limit reached             0      Hi watermark                 0
  TCP half-open connections   0      Hi watermark                 0
  TCP new connections         0      Hi watermark                 0
  TCP half-open + new        0      Hi watermark                 0
  HTTPDl Contexts           0      Hi watermark                 0

Parameter Map: Global
  Custom Pages
    Custom pages not configured
  Banner
    Banner not configured
```

Beginning in privileged EXEC mode, follow these steps to configure the authentication rule and interfaces:

SUMMARY STEPS

1. **configure terminal**
2. **ip admission name *name* proxy http**
3. **interface *type slot/port***
4. **ip access-group *name***
5. **ip admission *name***
6. **exit**
7. **ip device tracking**
8. **end**
9. **show ip admission status**
10. **copy running-config startup-config**

DETAILED STEPS

	Command or Action	Purpose
Step 1	configure terminal Example: Switch# configure terminal	Enters global configuration mode.
Step 2	ip admission name <i>name</i> proxy http Example: Switch(config)# ip admission name webauth1 proxy http	Configures an authentication rule for web-based authorization.
Step 3	interface <i>type slot/port</i> Example: Switch(config)# interface gigabitEthernet1/0/1	Enters interface configuration mode and specifies the ingress Layer 2 or Layer 3 interface to be enabled for web-based authentication. <i>type</i> can be fastethernet, gigabit ethernet, or tengigabitethernet.
Step 4	ip access-group <i>name</i> Example: Switch(config-if)# ip access-group webauthag	Applies the default ACL.
Step 5	ip admission <i>name</i> Example: Switch(config-if)# ip admission webauth1	Configures web-based authentication on the specified interface.

	Command or Action	Purpose
Step 6	exit Example: Switch(config-if) # exit	Returns to configuration mode.
Step 7	ip device tracking Example: Switch(config) # ip device tracking	Enables the IP device tracking table.
Step 8	end Example: Switch(config) # end	Returns to privileged EXEC mode.
Step 9	show ip admission status Example: Switch# show ip admission status	Displays the configuration.
Step 10	copy running-config startup-config Example: Switch# copy running-config startup-config	(Optional) Saves your entries in the configuration file.

Configuring AAA Authentication

Beginning in privileged EXEC mode, follow these steps to configure AAA authentication:

SUMMARY STEPS

1. **configure terminal**
2. **aaa new-model**
3. **aaa authentication login default group {tacacs+ | radius}**
4. **aaa authorization auth-proxy default group {tacacs+ | radius}**
5. **tacacs-server host {hostname | ip_address}**
6. **tacacs-server key {key-data}**
7. **end**

DETAILED STEPS

	Command or Action	Purpose
Step 1	configure terminal Example: Switch# configure terminal	Enters the global configuration mode.
Step 2	aaa new-model Example: Switch(config)# aaa new-model	Enables AAA functionality.
Step 3	aaa authentication login default group {tacacs+ radius} Example: Switch(config)# aaa authentication login default group tacacs+	Defines the list of authentication methods at login.
Step 4	aaa authorization auth-proxy default group {tacacs+ radius} Example: Switch(config)# aaa authorization auth-proxy default group tacacs+	Creates an authorization method list for web-based authorization.
Step 5	tacacs-server host {hostname ip_address} Example: Switch(config)# tacacs-server host 10.1.1.1	Specifies an AAA server.
Step 6	tacacs-server key {key-data} Example: Switch(config)# tacacs-server key	Configures the authorization and encryption key used between the switch and the TACACS server.
Step 7	end Example: Switch(config)# end	Returns to privileged EXEC mode.

Configuring Switch-to-RADIUS-Server Communication

Beginning in privileged EXEC mode, follow these steps to configure the RADIUS server parameters:

Before You Begin

Identify the following RADIUS security server settings that will be used in these instructions:

- Host name
- Host IP address
- Host name and specific UDP port numbers
- IP address and specific UDP port numbers

The combination of the IP address and UDP port number creates a unique identifier, that enables RADIUS requests to be sent to multiple UDP ports on a server at the same IP address. If two different host entries on the same RADIUS server are configured for the same service (for example, authentication) the second host entry that is configured functions as the failover backup to the first one. The RADIUS host entries are chosen in the order that they were configured.

SUMMARY STEPS

1. **configure terminal**
2. **ip radius source-interface vlan** *vlan interface number*
3. **radius-server host** *{hostname | ip-address}* **test username** *username*
4. **radius-server key** *string*
5. **radius-server dead-criteria tries** *num-tries*
6. **end**

DETAILED STEPS

	Command or Action	Purpose
Step 1	configure terminal Example: Switch# configure terminal	Enters the global configuration mode.
Step 2	ip radius source-interface vlan <i>vlan interface number</i> Example: Switch(config)# ip radius source-interface vlan 80	Specifies that the RADIUS packets have the IP address of the indicated interface.
Step 3	radius-server host <i>{hostname ip-address}</i> test username <i>username</i>	Specifies the host name or IP address of the remote RADIUS server.

	Command or Action	Purpose
	<p>Example:</p> <pre>Switch(config)# radius-server host 172.120.39.46 test username user1</pre>	<p>The test username <i>username</i> option enables automated testing of the RADIUS server connection. The specified <i>username</i> does not need to be a valid user name.</p> <p>The key option specifies an authentication and encryption key to use between the switch and the RADIUS server.</p> <p>To use multiple RADIUS servers, reenter this command for each server.</p>
Step 4	<p>radius-server key <i>string</i></p> <p>Example:</p> <pre>Switch(config)# radius-server key rad123</pre>	<p>Configures the authorization and encryption key used between the switch and the RADIUS daemon running on the RADIUS server.</p>
Step 5	<p>radius-server dead-criteria tries <i>num-tries</i></p> <p>Example:</p> <pre>Switch(config)# radius-server dead-criteria tries 30</pre>	<p>Specifies the number of unanswered sent messages to a RADIUS server before considering the server to be inactive. The range of <i>num-tries</i> is 1 to 100.</p> <p>When you configure the RADIUS server parameters:</p> <ul style="list-style-type: none"> • Specify the key string on a separate command line. • For key string, specify the authentication and encryption key used between the switch and the RADIUS daemon running on the RADIUS server. The key is a text string that must match the encryption key used on the RADIUS server. • When you specify the key string, use spaces within and at the end of the key. If you use spaces in the key, do not enclose the key in quotation marks unless the quotation marks are part of the key. This key must match the encryption used on the RADIUS daemon. • You can globally configure the timeout, retransmission, and encryption key values for all RADIUS servers by using with the radius-server host global configuration command. If you want to configure these options on a per-server basis, use the radius-server timeout, radius-server transmit, and the radius-server key global configuration commands. For more information, see the <i>Cisco IOS Security Configuration Guide</i>, Release 12.4 and the <i>Cisco IOS Security Command Reference</i>, Release 12.4. <p>Note You need to configure some settings on the RADIUS server, including: the switch IP address, the key string to be shared by both the server and the switch, and the downloadable ACL (DACL). For more information, see the RADIUS server documentation.</p>
Step 6	<p>end</p> <p>Example:</p> <pre>Switch(config)# end</pre>	<p>Returns to privileged EXEC mode.</p>

Configuring the HTTP Server

To use web-based authentication, you must enable the HTTP server within the switch. You can enable the server for either HTTP or HTTPS.

Beginning in privileged EXEC mode, follow these steps to enable the server for either HTTP or HTTPS:

SUMMARY STEPS

1. **configure terminal**
2. **ip http server**
3. **ip http secure-server**
4. **end**

DETAILED STEPS

	Command or Action	Purpose
Step 1	configure terminal Example: Switch# configure terminal	Enters the global configuration mode.
Step 2	ip http server Example: Switch(config)# ip http server	Enables the HTTP server. The web-based authentication feature uses the HTTP server to communicate with the hosts for user authentication.
Step 3	ip http secure-server Example: Switch(config)# ip http secure-server	Enables HTTPS. You can configure custom authentication proxy web pages or specify a redirection URL for successful login. Note To ensure secure authentication when you enter the ip http secure-server command, the login page is always in HTTPS (secure HTTP) even if the user sends an HTTP request.
Step 4	end Example: Switch(config)# end	Returns to privileged EXEC mode.

Customizing the Authentication Proxy Web Pages

You can configure web authentication to display four substitute HTML pages to the user in place of the switch default HTML pages during web-based authentication.

For the equivalent Session Aware Networking configuration example for this feature, see the section "Configuring a Parameter Map for Web-Based Authentication" in the chapter, "Configuring Identity Control Policies." of the book, "*Session Aware Networking Configuration Guide, Cisco IOS XE Release 3SE (Catalyst 3850 Switches)*."

Beginning in privileged EXEC mode, follow these steps to specify the use of your custom authentication proxy web pages:

Before You Begin

Store your custom HTML files on the switch flash memory.

SUMMARY STEPS

1. **configure terminal**
2. **ip admission proxy http login page file** *device:login-filename*
3. **ip admission proxy http success page file** *device:success-filename*
4. **ip admission proxy http failure page file** *device:fail-filename*
5. **ip admission proxy http login expired page file** *device:expired-filename*
6. **end**

DETAILED STEPS

	Command or Action	Purpose
Step 1	configure terminal Example: Switch# configure terminal	Enters the global configuration mode.
Step 2	ip admission proxy http login page file <i>device:login-filename</i> Example: Switch(config)# ip admission proxy http login page file disk1:login.htm	Specifies the location in the switch memory file system of the custom HTML file to use in place of the default login page. The <i>device:</i> is flash memory.
Step 3	ip admission proxy http success page file <i>device:success-filename</i> Example: Switch(config)# ip admission proxy http success page file disk1:success.htm	Specifies the location of the custom HTML file to use in place of the default login success page.

	Command or Action	Purpose
Step 4	ip admission proxy http failure page file <i>device:fail-filename</i> Example: <pre>Switch(config)# ip admission proxy http fail page file disk1:fail.htm</pre>	Specifies the location of the custom HTML file to use in place of the default login failure page.
Step 5	ip admission proxy http login expired page file <i>device:expired-filename</i> Example: <pre>Switch(config)# ip admission proxy http login expired page file disk1:expired.htm</pre>	Specifies the location of the custom HTML file to use in place of the default login expired page.
Step 6	end Example: <pre>Switch(config)# end</pre>	Returns to privileged EXEC mode.

Verifying Custom Authentication Proxy Web Pages

This example shows how to verify the configuration of a custom authentication proxy web page:

```
Switch# show ip admission status
IP admission status:
  Enabled interfaces          0
  Total sessions             0
  Init sessions              0   Max init sessions allowed   100
  Limit reached              0   Hi watermark                 0
  TCP half-open connections  0   Hi watermark                 0
  TCP new connections        0   Hi watermark                 0
  TCP half-open + new       0   Hi watermark                 0
  HTTPD1 Contexts           0   Hi watermark                 0

Parameter Map: Global
  Custom Pages
  Custom pages not configured
  Banner
  Banner not configured
```

Related Topics

[Authentication Proxy Web Page Guidelines, on page 8](#)

Specifying a Redirection URL for Successful Login

Beginning in privileged EXEC mode, follow these steps to specify a URL to which the user is redirected after authentication, effectively replacing the internal Success HTML page:

SUMMARY STEPS

1. **configure terminal**
2. **ip admission proxy http success redirect *url-string***
3. **end**

DETAILED STEPS

	Command or Action	Purpose
Step 1	configure terminal Example: Switch# configure terminal	Enters the global configuration mode.
Step 2	ip admission proxy http success redirect <i>url-string</i> Example: Switch(config)# ip admission proxy http success redirect www.example.com	Specifies a URL for redirection of the user in place of the default login success page.
Step 3	end Example: Switch(config)# end	Returns to privileged EXEC mode.

Verifying Redirection URL for Successful Login

```
Switch# show ip admission status
Enabled interfaces          0
Total sessions             0
Init sessions              0      Max init sessions allowed    100
  Limit reached            0      Hi watermark                 0
TCP half-open connections  0      Hi watermark                 0
TCP new connections        0      Hi watermark                 0
TCP half-open + new        0      Hi watermark                 0
HTTPD1 Contexts           0      Hi watermark                 0

Parameter Map: Global
  Custom Pages
    Custom pages not configured
  Banner
    Banner not configured
```

Related Topics

[Redirection URL for Successful Login Guidelines, on page 9](#)

Configuring the Web-Based Authentication Parameters

Beginning in privileged EXEC mode, follow these steps to configure the maximum number of failed login attempts before the client is placed in a watch list for a waiting period:

SUMMARY STEPS

1. **configure terminal**
2. **ip admission max-login-attempts *number***
3. **end**

DETAILED STEPS

	Command or Action	Purpose
Step 1	configure terminal Example: Switch# configure terminal	Enters the global configuration mode.
Step 2	ip admission max-login-attempts <i>number</i> Example: Switch(config)# ip admission max-login-attempts 10	Set the maximum number of failed login attempts. The range is 1 to 2147483647 attempts. The default is 5.
Step 3	end Example: Switch(config)# end	Returns to privileged EXEC mode.

Configuring a Web Authentication Local Banner

Beginning in privileged EXEC mode, follow these steps to configure a local banner on a switch that has web authentication configured.

SUMMARY STEPS

1. **configure terminal**
2. **ip admission auth-proxy-banner http [*banner-text* | *file-path*]**
3. **end**

DETAILED STEPS

	Command or Action	Purpose
Step 1	configure terminal Example: Switch# configure terminal	Enters the global configuration mode.
Step 2	ip admission auth-proxy-banner http [<i>banner-text</i> <i>file-path</i>] Example: Switch(config)# ip admission auth-proxy-banner http C My Switch C	Enables the local banner. (Optional) Create a custom banner by entering <i>C banner-text C</i> (where <i>C</i> is a delimiting character), or <i>file-path</i> that indicates a file (for example, a logo or text file) that appears in the banner.
Step 3	end Example: Switch(config)# end	Returns to privileged EXEC mode.

Removing Web-Based Authentication Cache Entries

Beginning in privileged EXEC mode, follow these steps to remove web-based authentication cache entries:

SUMMARY STEPS

1. **clear ip auth-proxy cache** { * | *host ip address* }
2. **clear ip admission cache** { * | *host ip address* }

DETAILED STEPS

	Command or Action	Purpose
Step 1	clear ip auth-proxy cache { * <i>host ip address</i> } Example: Switch# clear ip auth-proxy cache 192.168.4.5	Delete authentication proxy entries. Use an asterisk to delete all cache entries. Enter a specific IP address to delete the entry for a single host.

	Command or Action	Purpose
Step 2	<p>clear ip admission cache <i>{* host ip address}</i></p> <p>Example:</p> <pre>Switch# clear ip admission cache 192.168.4.5</pre>	Delete authentication proxy entries. Use an asterisk to delete all cache entries. Enter a specific IP address to delete the entry for a single host.

Monitoring Web-Based Authentication Status

Use the commands in this topic to display the web-based authentication settings for all interfaces or for specific ports.

Table 2: Privileged EXEC show Commands

Command	Purpose
show authentication sessions method webauth	Displays the web-based authentication settings for all interfaces for fastethernet, gigabitethernet, or tengigabitethernet
show authentication sessions interface <i>type slot/port[details]</i>	<p>Displays the web-based authentication settings for the specified interface for fastethernet, gigabitethernet, or tengigabitethernet.</p> <p>In Session Aware Networking mode, use the show access-session interface command.</p>

