



Dial Configuration Guide, Cisco IOS Release 15.2S

Americas Headquarters

Cisco Systems, Inc.
170 West Tasman Drive
San Jose, CA 95134-1706
USA
<http://www.cisco.com>
Tel: 408 526-4000
800 553-NETS (6387)
Fax: 408 527-0883

THE SPECIFICATIONS AND INFORMATION REGARDING THE PRODUCTS IN THIS MANUAL ARE SUBJECT TO CHANGE WITHOUT NOTICE. ALL STATEMENTS, INFORMATION, AND RECOMMENDATIONS IN THIS MANUAL ARE BELIEVED TO BE ACCURATE BUT ARE PRESENTED WITHOUT WARRANTY OF ANY KIND, EXPRESS OR IMPLIED. USERS MUST TAKE FULL RESPONSIBILITY FOR THEIR APPLICATION OF ANY PRODUCTS.

THE SOFTWARE LICENSE AND LIMITED WARRANTY FOR THE ACCOMPANYING PRODUCT ARE SET FORTH IN THE INFORMATION PACKET THAT SHIPPED WITH THE PRODUCT AND ARE INCORPORATED HEREIN BY THIS REFERENCE. IF YOU ARE UNABLE TO LOCATE THE SOFTWARE LICENSE OR LIMITED WARRANTY, CONTACT YOUR CISCO REPRESENTATIVE FOR A COPY.

The Cisco implementation of TCP header compression is an adaptation of a program developed by the University of California, Berkeley (UCB) as part of UCB's public domain version of the UNIX operating system. All rights reserved. Copyright © 1981, Regents of the University of California.

NOTWITHSTANDING ANY OTHER WARRANTY HEREIN, ALL DOCUMENT FILES AND SOFTWARE OF THESE SUPPLIERS ARE PROVIDED "AS IS" WITH ALL FAULTS. CISCO AND THE ABOVE-NAMED SUPPLIERS DISCLAIM ALL WARRANTIES, EXPRESSED OR IMPLIED, INCLUDING, WITHOUT LIMITATION, THOSE OF MERCHANTABILITY, FITNESS FOR A PARTICULAR PURPOSE AND NONINFRINGEMENT OR ARISING FROM A COURSE OF DEALING, USAGE, OR TRADE PRACTICE.

IN NO EVENT SHALL CISCO OR ITS SUPPLIERS BE LIABLE FOR ANY INDIRECT, SPECIAL, CONSEQUENTIAL, OR INCIDENTAL DAMAGES, INCLUDING, WITHOUT LIMITATION, LOST PROFITS OR LOSS OR DAMAGE TO DATA ARISING OUT OF THE USE OR INABILITY TO USE THIS MANUAL, EVEN IF CISCO OR ITS SUPPLIERS HAVE BEEN ADVISED OF THE POSSIBILITY OF SUCH DAMAGES.

Cisco and the Cisco Logo are trademarks of Cisco Systems, Inc. and/or its affiliates in the U.S. and other countries. A listing of Cisco's trademarks can be found at www.cisco.com/go/trademarks. Third party trademarks mentioned are the property of their respective owners. The use of the word partner does not imply a partnership relationship between Cisco and any other company. (1005R)

Any Internet Protocol (IP) addresses and phone numbers used in this document are not intended to be actual addresses and phone numbers. Any examples, command display output, network topology diagrams, and other figures included in the document are shown for illustrative purposes only. Any use of actual IP addresses or phone numbers in illustrative content is unintentional and coincidental.

Dial Configuration Guide, Cisco IOS Release 15.2S
© 2011 Cisco Systems, Inc. All rights reserved.



Dial Interfaces, Controllers, and Lines



Overview of Dial Interfaces, Controllers, and Lines

This chapter describes the different types of software constructs, interfaces, controllers, channels, and lines that are used for dial-up remote access. It includes the following main sections:

- [Cisco IOS Dial Components](#)
- [Logical Constructs](#)
- [Logical Interfaces](#)
- [Circuit-Switched Digital Calls](#)
- [T1 and E1 Controllers](#)
- [Non-ISDN Channelized T1 and Channelized E1 Lines](#)
- [ISDN Service](#)
- [Line Types](#)
- [Encapsulation Types](#)

For a complete description of the commands in this chapter, refer to the *Cisco IOS Dial Technologies Command Reference*. To locate documentation of other commands that appear in this chapter, use the command reference master index or search online.

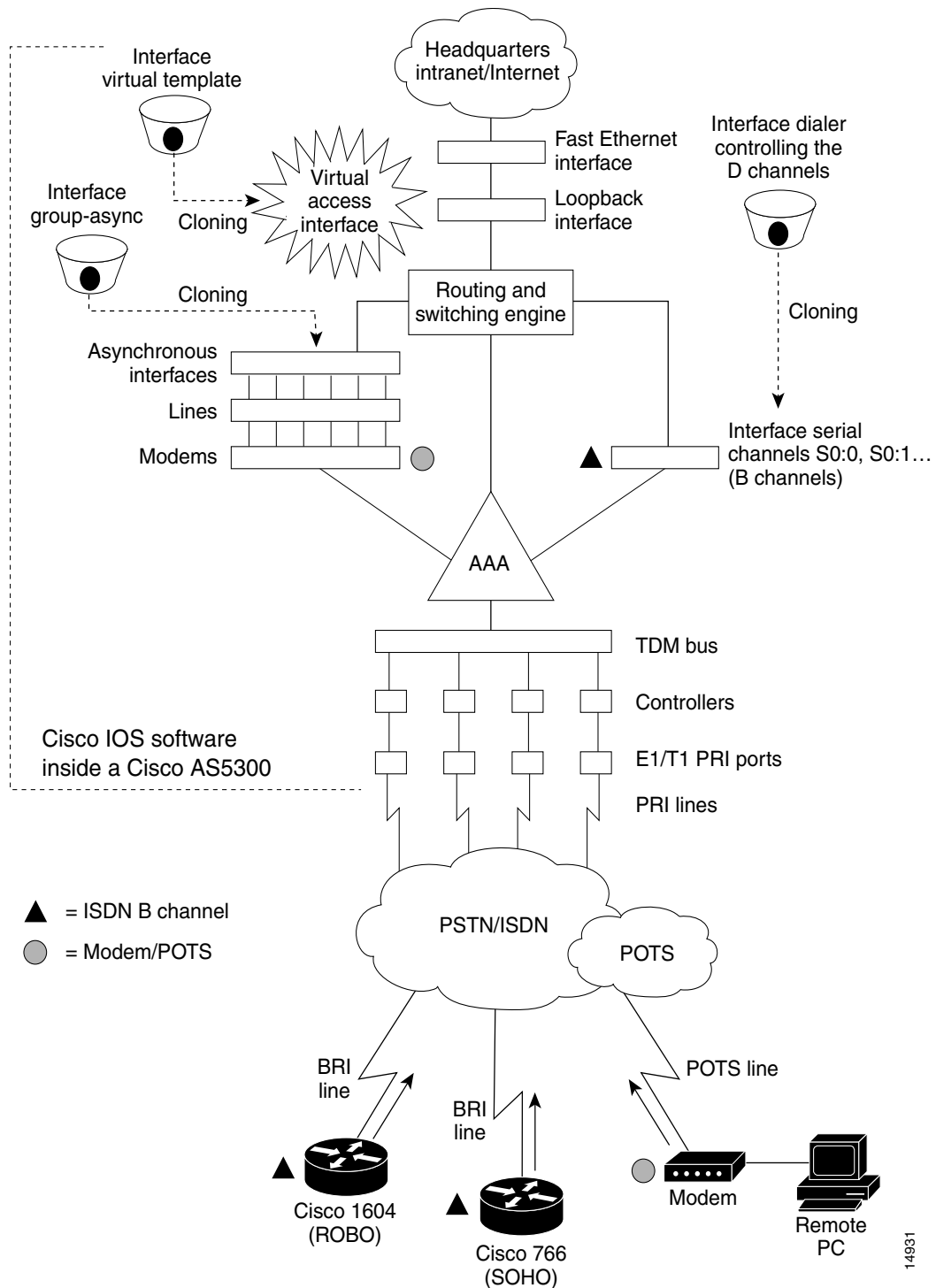
Cisco IOS Dial Components

Different components inside Cisco IOS software work together to enable remote clients to dial in and send packets. [Figure 1](#) shows one Cisco AS5300 access server that is receiving calls from a remote office, branch office (ROBO); small office, home office (SOHO); and modem client.

Depending on your network scenario, you may encounter all of the components in [Figure 1](#). For example, you might decide to create a virtual IP subnet by using a loopback interface. This step saves address space. Virtual subnets can exist inside devices that you advertise to your backbone. In turn, IP packets get relayed to remote PCs, which route back to the central site.



Figure 1 Cisco IOS Dial Universe



Logical Constructs

A logical construct stores core protocol characteristics to assign to physical interfaces. No data packets are forwarded to a logical construct. Cisco uses three types of logical constructs in its access servers and routers. These constructs are described in the following sections:

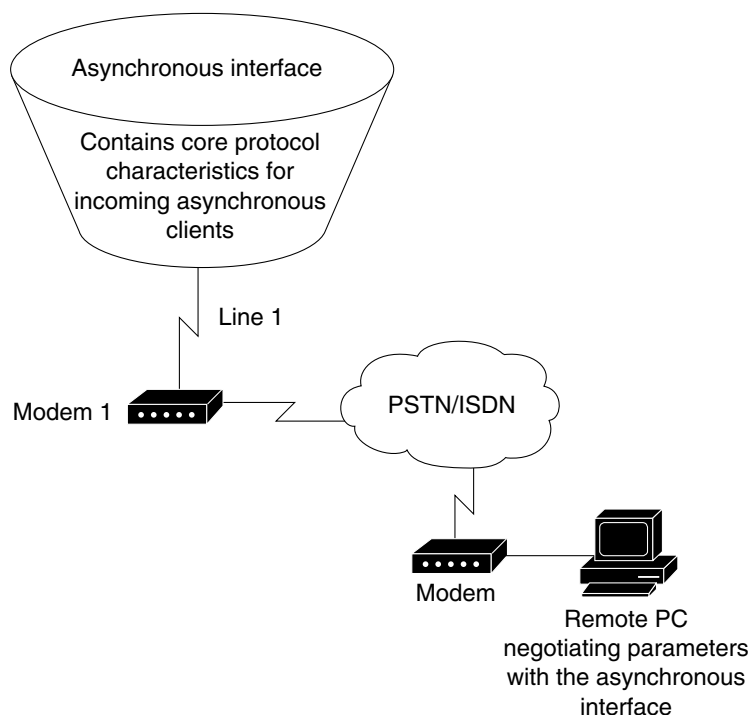
- [Asynchronous Interfaces](#)
- [Group Asynchronous Interfaces](#)
- [Virtual Template Interfaces](#)

Asynchronous Interfaces

An asynchronous interface assigns network protocol characteristics to remote asynchronous clients that are dialing in through physical terminal lines and modems. (See [Figure 2](#).)

Use the **interface async** command to create and configure an asynchronous interface.

Figure 2 Logical Construct for an Asynchronous Interface



14054

To enable clients to dial in, you must configure two asynchronous components: asynchronous lines and asynchronous interfaces. Asynchronous interfaces correspond to physical terminal lines. For example, asynchronous interface 1 corresponds to tty line 1.

Commands entered in asynchronous interface mode configure protocol-specific parameters for asynchronous interfaces, whereas commands entered in line configuration configure the physical aspects for the same port.

Specifically, you configure asynchronous interfaces to support PPP connections. An asynchronous interface on an access server or router can be configured to support the following functions:

- Network protocol support such as IP, Internet Protocol Exchange (IPX), or AppleTalk
- Encapsulation support (such as PPP)
- IP client addressing options (default or dynamic)
- IPX network addressing options
- PPP authentication
- ISDN BRI and PRI configuration

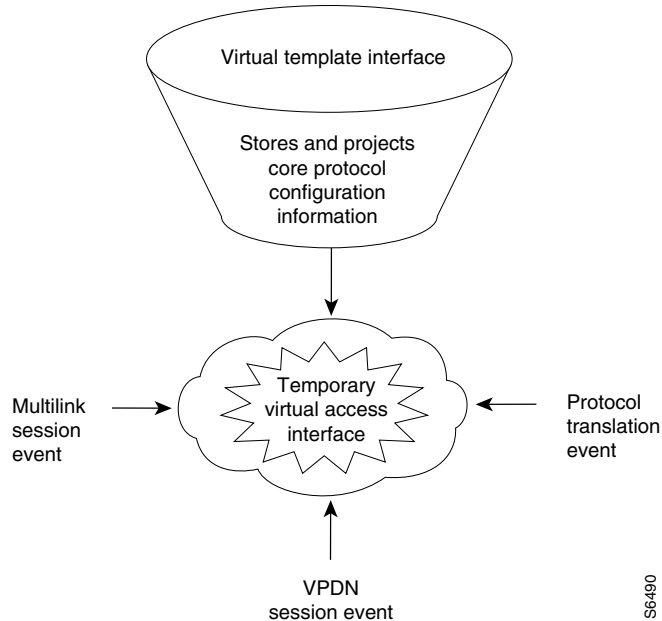
Group Asynchronous Interfaces

A group asynchronous interface is a parent interface that stores core protocol characteristics and projects them to a specified range of asynchronous interfaces. Asynchronous interfaces clone protocol information from group asynchronous interfaces. No data packets arrive in a group asynchronous interface. By setting up a group asynchronous interface, you also eliminate the need to repeatedly configure identical configuration information across several asynchronous interfaces.

Virtual Template Interfaces

A virtual template interface stores protocol configuration information for virtual access interfaces and protocol translation sessions. (See [Figure 3](#).)

Figure 3 Logical Construct for a Virtual Template Interface



S6490

Templates for Virtual Access Interfaces

Virtual templates project configuration information to temporary virtual access interfaces triggered by multilink or virtual private dial-up network (VPDN) session events. When a virtual access interface is triggered, the configuration attributes in the virtual template are cloned and the negotiated parameters are applied to the connection.

The following example shows a virtual template interface on a Cisco 7206 router, which is used as a home gateway in a VPDN scenario:

```
Router# configure terminal
Router(config)# interface virtual-template 1
Router(config-if)# ip unnumbered ethernet 2/1
Router(config-if)# peer default ip address pool cisco-pool
Router(config-if)# ppp authentication chap pap
Router(config-if)# exit
Router(config)# vpdn enable
Router(config)# vpdn incoming isp cisco.com virtual-template 1
```

Templates for Protocol Translation

Virtual templates are used to simplify the process of configuring protocol translation to tunnel PPP or Serial Line Internet Protocol (SLIP) across X.25, TCP, and LAT networks. You can create a virtual interface template using the **interface virtual-template** command, and you can use it for one-step and two-step protocol translation. When a user dials in through a vty line and a tunnel connection is established, the router clones the attributes of the virtual interface template onto a *virtual access interface*. This virtual access interface is a temporary interface that supports the protocol configuration specified in the virtual interface template. This virtual access interface is created dynamically and lasts only as long as the tunnel session is active.

The virtual template in the following example explicitly specifies PPP encapsulation. The translation is from X.25 to PPP, which enables tunneling of PPP across an X.25 network.

```
Router# configure terminal
Router(config)# interface virtual-template 1
Router(config-if)# ip unnumbered ethernet 0
Router(config-if)# peer default ip address 172.18.2.131
Router(config-if)# encapsulation ppp
Router(config-if)# exit
Router(config)# translate x25 5555678 virtual-template 1
```

For more information, refer to the chapter “Configuring Protocol Translation and Virtual Asynchronous Devices” in the *Cisco IOS Terminal Services Configuration Guide*.

Logical Interfaces

A logical interface receives and sends data packets and controls physical interfaces. Cisco IOS software provides three logical interfaces used for dial access. These interfaces are described in the following sections:

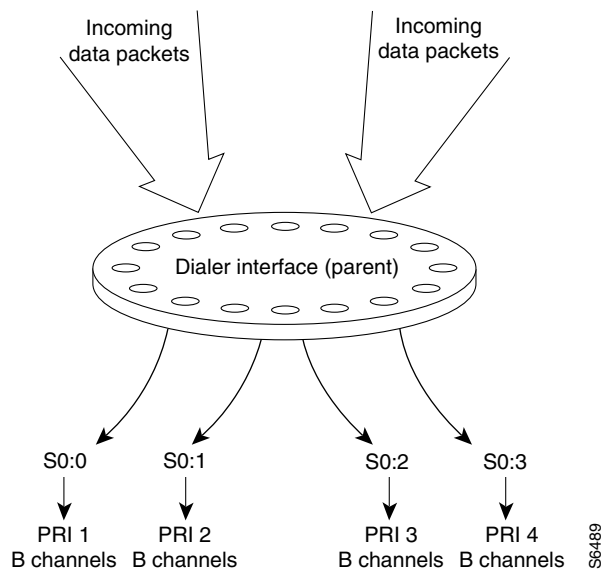
- [Dialer Interfaces](#)
- [Virtual Access Interfaces](#)
- [Virtual Asynchronous Interfaces](#)

Dialer Interfaces

A dialer interface is a parent interface that stores and projects protocol configuration information that is common to all data (D) channels that are members of a dialer rotary group. Data packets pass through dialer interfaces, which in turn initiate dialing for inbound calls. In most cases, D channels get their core protocol intelligence from dialer interfaces.

Figure 4 shows packets coming into a dialer interface, which contains the configuration parameters common to four D channels (shown as S0:0, S0:1, S0:2, and S0:3). All the D channels are members of the same rotary group. Without the dialer interface configuration, each D channel must be manually configured with identical properties. Dialer interfaces condense and streamline the configuration process.

Figure 4 *Dialer Interface and Its Neighboring Components*



A dialer interface is user configurable and linked to individual B channels, where it delivers data packets to their physical destinations. Dialer interfaces seize physical interfaces to cause packet delivery. If a dialer interface engages in a multilink session, a dialer interface is in control of a virtual access interface, which in turn controls S0:3 or chassis 2 S0:3, for example. A dialer interface is created with the **interface dialer** global configuration command.

The following example shows a fully configured dialer interface:

```
Router# configure terminal
Router(config)# interface dialer 0
Router(config-if)# ip unnumbered loopback 0
Router(config-if)# no ip mroute-cache
Router(config-if)# encapsulation ppp
Router(config-if)# peer default ip address pool dialin_pool
Router(config-if)# dialer in-band
Router(config-if)# dialer-group 1
Router(config-if)# no fair-queue
Router(config-if)# no cdp enable
Router(config-if)# ppp authentication chap pap callin
Router(config-if)# ppp multilink
```

All the D channels are members of rotary group 1.

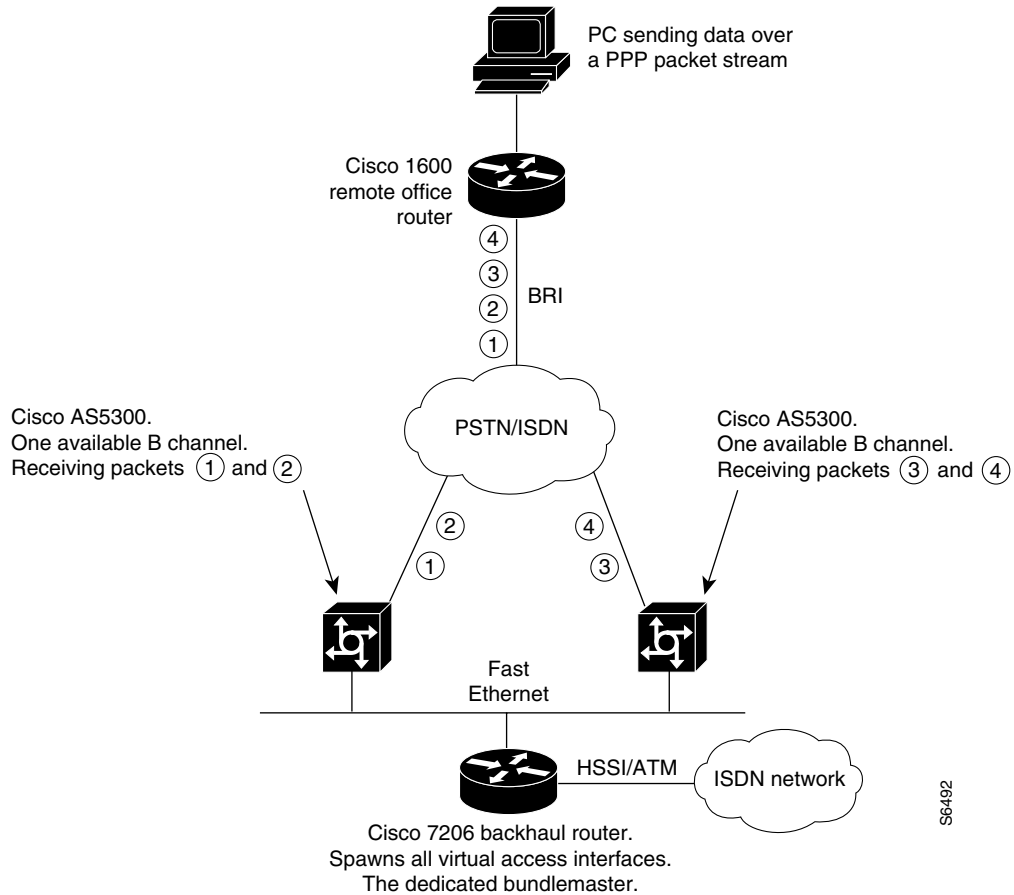
Virtual Access Interfaces

A virtual access interface is a temporary interface that is spawned to terminate incoming PPP streams that have no physical connections. PPP streams, Layer 2 Forwarding Protocol (L2F), and Layer 2 Tunnel Protocol (L2TP) frames that come in on multiple B channels are reassembled on virtual access interfaces. These access interfaces are constructs used to terminate packets.

Virtual access interfaces obtain their set of instructions from virtual interface templates. The attributes configured in virtual templates are projected or cloned to a virtual access interfaces. Virtual access interfaces are not directly user configurable. These interfaces are created dynamically and last only as long as the tunnels or multilink sessions are active. After the sessions end, the virtual access interfaces disappear.

Figure 5 shows how a virtual access interface functions to accommodate a multilink session event. Two physical interfaces on two different access servers are participating in one multilink call from a remote PC. However, each Cisco AS5300 access server has only one B channel available to receive a call. All other channels are busy. Therefore all four packets are equally dispersed across two separate B channels and two access servers. Each Cisco AS5300 access server receives only half the total packets. A virtual access interface is dynamically spawned upstream on a Cisco 7206 backhaul router to receive the multilink protocol, track the multilink frames, and reassemble the packets. The Cisco 7206 router is configured to be the bundle master, which performs all packet assembly and reassembly for both Cisco AS5300 access servers.

Figure 5 Virtual Access Interfaces Used for Multichassis Multilink Session Events

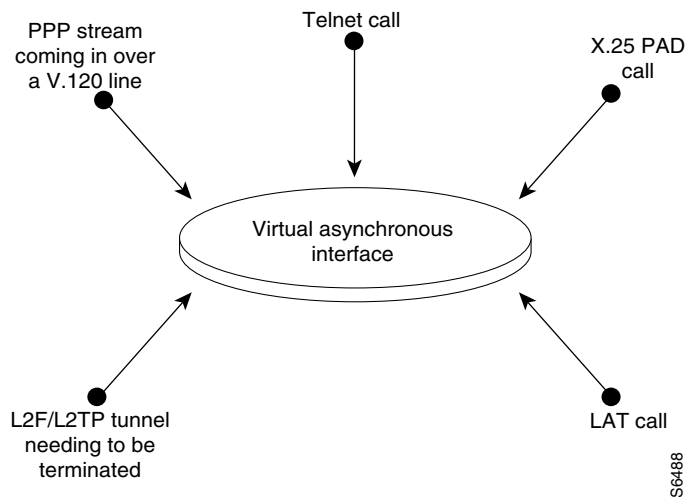


Virtual Asynchronous Interfaces

A virtual asynchronous interface is created on demand to support calls that enter the router through a nonphysical interface. For example, asynchronous character stream calls terminate or land on nonphysical interfaces. These types of calls include inbound Telnet, LAT, PPP over character-oriented protocols (such as V.120 or X.25), and LAPB-TA and PAD calls. A virtual asynchronous interface is also used to terminate L2F/L2TP tunnels, which are often traveling companions with Multilink protocol sessions. Virtual asynchronous interfaces are not user configurable; rather, they are dynamically created and torn down on demand. A virtual asynchronous line is used to access a virtual asynchronous interface.

Figure 6 shows a variety of calls that are terminating on a virtual asynchronous interface. After the calls end, the interface is torn down.

Figure 6 *Asynchronous Character Stream Calls Terminating on a Virtual Asynchronous Interface*

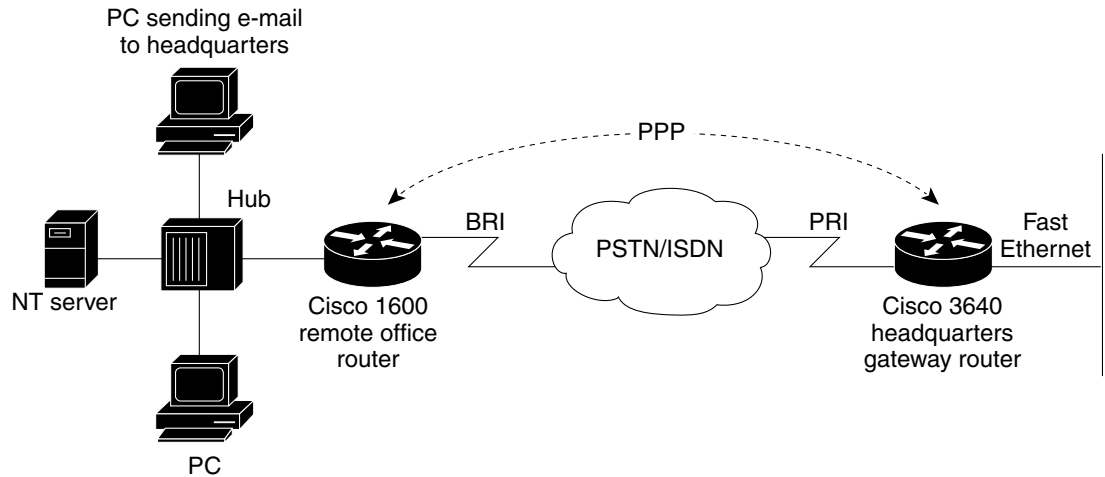


Circuit-Switched Digital Calls

Circuit-switched digital calls are usually ISDN 56-kbps or 64-kbps data calls that use PPP. These calls are initiated by an ISDN router, access server, or terminal adapter that is connected to a client workstation. Individual synchronous serial digital signal level 0 (DS0) bearer (B) channels are used to transport circuit-switched digital calls across WANs. These calls do not transmit across “old world” lines.

Figure 7 shows a Cisco 1600 series remote office router dialing in to a Cisco 3640 router positioned at a headquarters gateway.

Figure 7 Remote Office LAN Dialing In to Headquarters



T1 and E1 Controllers

Cisco controllers negotiate the following parameters between an access server and a central office: line coding, framing, clocking, DS0/time-slot provisioning, and signaling.

Time slots are provisioned to meet the needs of particular network scenarios. T1 controllers have 24 time slots, and E1 controllers have 30 time slots. To support traffic flow for one ISDN PRI line in a T1 configuration, use the **pri-group** command. To support traffic flow for analog calls over a channelized E1 line with recEive and transMit (E&M—also ear and mouth) signaling, use the **cas-group 1 timeslots 1-30 type e&m-fgb** command. Most telephone companies do not support provisioning one trunk for different combinations of time-slot services, though this provisioning is supported on Cisco controllers. On a T1 controller, for example, time slots 1 to 10 could run PRI, time slots 11 to 20 could run channel-associated signaling (CAS), and time slots 21 to 24 could support leased-line grouping.

The following example configures one of four T1 controllers on a Cisco AS5300 access server:

```
Router# configure terminal
Router(config)# controller t1 ?
    <0-3> Controller unit number
Router(config)# controller t1 0
Router(config-controller)# framing esf
Router(config-controller)# linecode b8zs
Router(config-controller)# clock source line primary
Router(config-controller)# pri-group timeslots 1-24
Router(config-controller)#
```

This example supports modem calls and circuit-switched digital calls over ISDN PRI.

Non-ISDN Channelized T1 and Channelized E1 Lines

A channelized T1 or channelized E1 line is an analog line that was originally intended to support analog voice calls, but has evolved to support analog data calls. ISDN is not sent across channelized T1 or E1 lines. Channelized T1 and channelized E1 lines are often referred to as CT1 and CE1. These channelized lines are found in “old world,” non-ISDN telephone networks.

The difference between traditional channelized lines (analog) and nonchannelized lines (ISDN) is that channelized lines have no built-in D channel. That is, all 24 channels on a T1 line carry only data. The signaling is in-band or associated to the data channels. Traditional channelized lines do not support digitized data calls (for example, BRI with 2B + D). Channelized lines support a variety of in-band signal types, such as ground start, loop start, wink start, immediate start, E&M, and R2.

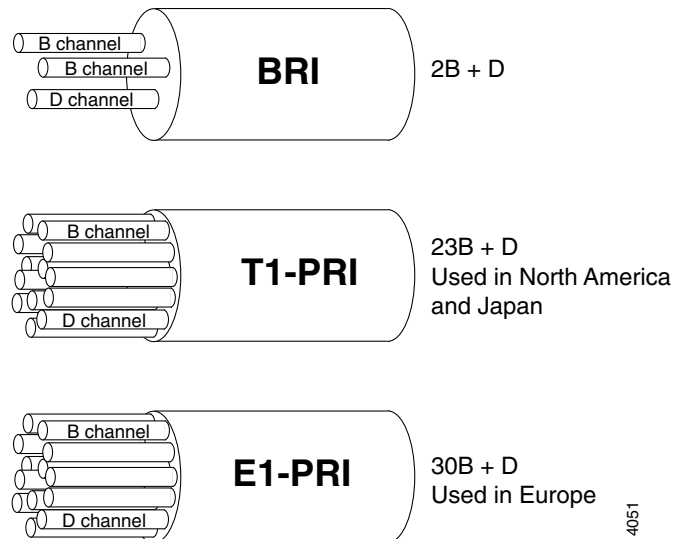
Signaling for channelized lines is configured with the **cas-group** controller configuration command. The following example configures E&M group B signaling on a T1 controller:

```
Router# configure terminal
Router(config)# controller t1 0
Router(config-controller)# cas-group 1 timeslots 1-24 type ?
  e&m-fgb          E & M Type II FGB
  e&m-fgd          E & M Type II FGD
  e&m-immediate-start E & M Immediate Start
  fxs-ground-start FXS Ground Start
  fxs-loop-start   FXS Loop Start
  r1-modified      R1 Modified
  sas-ground-start SAS Ground Start
  sas-loop-start   SAS Loop Start
Router(config-controller)# cas-group 1 timeslots 1-24 type e&m-fgb
Router(config-controller)# framing esf
Router(config-controller)# clock source line primary
```

ISDN Service

Cisco routing devices support ISDN BRI and ISDN PRI. Both media types use B channels and D channels. [Figure 8](#) shows how many B channels and D channels are assigned to each media type.

Figure 8 Logical Relationship of B Channels and D Channels



ISDN BRI

ISDN BRI operates over most of the copper twisted-pair telephone wiring in place. ISDN BRI delivers a total bandwidth of a 144 kbps via three separate channels. Two of the B channels operate at 64 kbps and are used to carry voice, video, or data traffic. The third channel, the D channel, is a 16-kbps signaling channel used to tell the Public Switched Telephone Network (PSTN) how to handle each of the B channels. ISDN BRI is often referred to as “2 B + D.”

Enter the **interface bri** command to bring up and configure a single BRI interface, which is the overseer of the 2 B + D channels. The D channel is not user configurable.

The following example configures an ISDN BRI interface on a Cisco 1600 series router. The **isdn spid** command defines the service profile identifier (SPID) number for both B channels. The SPID number is assigned by the ISDN service provider. Not all ISDN lines have SPIDs.

```
Router# configure terminal

Router(config)# interface bri 0
Router(config-if)# isdn spid1 55598760101
Router(config-if)# isdn spid2 55598770101
Router(config-if)# isdn switch-type basic-ni
Router(config-if)# ip unnumbered ethernet 0
Router(config-if)# dialer map ip 172.168.37.40 name hq 5552053
Router(config-if)# dialer load-threshold 70
Router(config-if)# dialer-group 1
Router(config-if)# encapsulation ppp
Router(config-if)# ppp authentication chap pap callin
Router(config-if)# ppp multilink
Router(config-if)# no shutdown
```

ISDN PRI

ISDN PRI is designed to carry large numbers of incoming ISDN calls at point of presences (POPs) and other large central site locations. All the reliability and performance of ISDN BRI applies to ISDN PRI, but ISDN PRI has 23 B channels running at 64 kbps each and a shared 64 kbps D channel that carries signaling traffic. ISDN PRI is often referred to as “23 B + D” (North America and Japan) or “30 B + D” (rest of the world).

The D channel notifies the central office switch to send the incoming call to particular timeslots on the Cisco access server or router. Each one of the B channels carries data or voice. The D channel carries signaling for the B channels. The D channel identifies if the call is a circuit-switched digital call or an analog modem call. Analog modem calls are decoded and then sent to the onboard modems.

Circuit-switched digital calls are directly relayed to the ISDN processor in the router. Enter the **interface serial** command to bring up and configure the D channel, which is user configurable.

[Figure 9](#) shows the logical contents of an ISDN PRI interface used in a T1 network configuration. The logical contents include 23 B channels, 1 D channel, 24 time slots, and 24 virtual serial interfaces (total number of B + D channels).

Figure 9 Logical Relationship of ISDN PRI Components for T1

Channel Type	Time Slot Number	Virtual Serial Interface Number
B (data channel)	1	S0:0
B (data channel)	2	S0:1
B (data channel)	3	S0:2
B (data channel)	4	S0:3
•	•	•
•	•	•
•	•	•
•	•	•
•	•	•
B (data channel)	21	S0:20
B (data channel)	22	S0:21
B (data channel)	23	S0:22
Ⓚ (signaling channel)	24	S0:23

Logical contents of a PRI interface

S6487

The following example is for a Cisco AS5300 access server. It configures one T1 controller for ISDN PRI, then configures the neighboring D channel (interface serial 0:23). Controller T1 0 and interface serial 0:23 are both assigned to the first PRI port. The second PRI port is assigned to controller T1 1 and interface serial 1:23, and so on. The second PRI port configuration is not shown in this example. This Cisco AS5300 access server is used as part of a stack group dial-in solution for an Internet service provider.

```
Router# configure terminal

Router(config)# controller t1 0
Router(config-controller)# framing esf
Router(config-controller)# linecode b8zs
Router(config-controller)# clock source line primary
Router(config-controller)# pri-group timeslots 1-24
Router(config-controller)# exit
Router(config)# interface serial 0:23
Router(config-if)# ip unnumbered Loopback 0
Router(config-if)# ip accounting output-packets
Router(config-if)# no ip mroute-cache
Router(config-if)# encapsulation ppp
Router(config-if)# isdn incoming-voice modem
Router(config-if)# dialer-group 1
Router(config-if)# no fair-queue
Router(config-if)# compress stac
Router(config-if)# no cdp enable
Router(config-if)# ppp authentication chap
Router(config-if)# ppp multilink
Router(config-if)# netbios nbf
```

Line Types

This section describes the different line types used for dial access. It also describes the relationship between lines and interfaces.

**Note**

Cisco devices have four types of lines: console, auxiliary, asynchronous, and virtual terminal. Different routers have different numbers of these line types. Refer to the hardware and software configuration guides that shipped with your device for exact configurations.

Table 1 shows the types of lines that can be configured.

Table 1 Available Line Types

Line Type	Interface	Description	Numbering Rules
CON or CTY	Console	Typically used to log in to the router for configuration purposes.	Line 0.
AUX	Auxiliary	EIA/TIA-232 data terminal equipment (DTE) port used as a backup (tty) asynchronous port. Cannot be used as a second console port.	Last tty line number plus 1.
tty	Asynchronous	Same as asynchronous interface. Used typically for remote-node dial-in sessions that use such protocols as SLIP, PPP, AppleTalk Remote Access (ARA), and XRemote.	The numbering widely varies between platforms. This number is equivalent to the maximum number of modems or asynchronous interfaces supported by your access server or router. ¹
vty	Virtual asynchronous	Used for incoming Telnet, LAT, X.25 PAD, and protocol translation connections into synchronous ports (such as Ethernet and serial interfaces) on the router.	Last tty line number plus 2 through the maximum number of vty lines specified. ²

1. Enter the **interface line tty ?** command to view the maximum number of tty lines supported.
2. Increase the number of vty lines on a router using the **line vty** global configuration command. Delete vty lines with the **no line vty line-number** command. The **line vty** command accepts any line number larger than 5 up to the maximum number of lines supported by your router with its current configuration. Enter the **interface line vty ?** command to view the maximum number of vty lines supported.

Use the **show line** command to see the status of each of the lines available on a router. (See [Figure 10.](#))

Figure 10 Sample Show Line Output Showing CTY, tty, AUX, and vty Line Statistics

		Rotary group #				Access class in/out						
Autoselect state		Tty	Typ	Tx/Rx	A	Modem	Roty	ACCO	ACCI	Uses	Noise	Overruns
sankara> show line		* 0	CTY	-	-	-	-	-	-	0	0	0/0
		* 1	TTY	115200/115200	-	inout	-	4	-	31	26	0/0
		* 2	TTY	115200/115200	-	inout	-	21630	-	37	23	0/0
Absolute line number	A 3	TTY	115200/115200	-	inout	-	-	25	-	10	24	1/0
		* 4	TTY	115200/115200	-	inout	-	4	-	20	63	1/0
		* 5	TTY	115200/115200	-	inout	-	32445	-	18	325	22/0
		A 6	TTY	115200/115200	-	inout	-	25	-	7	0	0/0
Line speed	I 7	TTY	115200/115200	-	inout	-	-	6	-	6	36	1/0
		I 8	TTY	115200/115200	-	inout	-	-	-	3	25	3/0
		* 9	TTY	115200/115200	-	inout	-	4	-	2	0	0/0
		A 10	TTY	115200/115200	-	inout	-	56	-	2	470	216/0
		I 11	TTY	115200/115200	-	inout	-	4	-	31	26	0/0
		I 12	TTY	115200/115200	-	inout	-	4	-	31	26	0/0
		I 13	TTY	115200/115200	-	inout	-	4	-	31	26	0/0
		I 14	TTY	115200/115200	-	inout	-	4	-	31	26	0/0
		I 15	TTY	115200/115200	-	inout	-	4	-	31	26	0/0
		I 16	TTY	115200/115200	-	inout	-	4	-	31	26	0/0
		17	AUX	9600/9600	-	-	-	-	-	2	1	2/104800
		* 18	VTY	9600/9600	-	-	-	-	-	103	0	0/0
		19	VTY	9600/9600	-	-	-	-	-	6	0	0/0
This is VTY2 (3rd VTY) line 20	20	VTY	9600/9600	-	-	-	-	-	-	1	0	0/0
		21	VTY	9600/9600	-	-	-	-	-	0	0	0/0
		22	VTY	9600/9600	-	-	-	-	-	0	0	0/0
		23	VTY	9600/9600	-	-	-	-	-	0	0	0/0
		24	VTY	9600/9600	-	-	-	-	-	0	0	0/0
		25	VTY	9600/9600	-	-	-	-	-	0	0	0/0
		26	VTY	9600/9600	-	-	-	-	-	0	0	0/0
		27	VTY	9600/9600	-	-	-	-	-	0	0	0/0
		28	VTY	9600/9600	-	-	-	-	-	0	0	0/0
		29	VTY	9600/9600	-	-	-	-	-	0	0	0/0
		30	VTY	9600/9600	-	-	-	-	-	0	0	0/0
		31	VTY	9600/9600	-	-	-	-	-	0	0	0/0
		32	VTY	9600/9600	-	-	-	-	-	0	0	0/0
		33	VTY	9600/9600	-	-	-	-	-	0	0	0/0

Relationship Between Lines and Interfaces

The following sections describe the relationship between lines and interfaces:

- [Asynchronous Interfaces and Physical Terminal Lines](#)
- [Synchronous Interfaces and Virtual Terminal Lines](#)

Asynchronous Interfaces and Physical Terminal Lines

Asynchronous interfaces correspond to physical terminal lines. Commands entered in asynchronous interface mode let you configure protocol-specific parameters for asynchronous interfaces; commands entered in line configuration mode let you configure the physical aspects of the line port.

For example, to enable IP resources to dial in to a network through a Cisco 2500 series access server, configure the lines and asynchronous interfaces as follows.

- Configure the physical aspect of a line that leads to a port. You might enter the following commands to configure lines 1 through 16 (asynchronous physical terminal lines on a Cisco 2511 access server):

```
line 1 16
 login local
 modem inout
 speed 115200
 flowcontrol hardware
 ! Configures the line to autosense PPP; physical line attribute.
 autoselect ppp
```

- On asynchronous interface 1, you configure your protocol-specific commands. You might enter the following commands:

```
interface async 1
 encapsulation ppp
 async mode interactive
 async dynamic address
 async dynamic routing
 async default ip address 192.168.16.132
 ppp authentication chap
```

The remote node services SLIP, PPP, and XRemote are configured in asynchronous interface mode. ARA is configured in line configuration mode on virtual terminal lines or physical terminal lines.

Synchronous Interfaces and Virtual Terminal Lines

Virtual terminal lines provide access to the router through a synchronous interface. Virtual terminal lines do not correspond to synchronous interfaces in the same way that physical terminal lines correspond to asynchronous interfaces because vty lines are created dynamically on the router, whereas physical terminal lines are static physical ports. When a user connects to the router on a vty line, that user is connecting into a *virtual* port on an interface. You can have multiple virtual ports for each synchronous interface.

For example, several Telnet connections can be made to an interface (such as an Ethernet or serial interface).

The number of virtual terminal lines available on a router is defined using the **line vty** *number-of-lines* global configuration command.

Encapsulation Types

Synchronous serial interfaces default to High-Level Data Link Control (HDLC) encapsulation, and asynchronous serial interfaces default to SLIP encapsulation. Cisco IOS software provides a long list of encapsulation methods that can be set on the interface to change the default encapsulation method. See the *Cisco IOS Interface Command Reference* for a complete list and description of these encapsulation methods.

The following list summarizes the encapsulation commands available for serial interfaces used in dial configurations:

- **encapsulation frame-relay**—Frame Relay
- **encapsulation hdlc**—HDLC protocol
- **encapsulation lapb**—X.25 LAPB DTE operation
- **encapsulation ppp**—PPP
- **encapsulation slip**—SLIP

To use SLIP or PPP encapsulation, the router or access server must be configured with an IP routing protocol.

Cisco and the Cisco Logo are trademarks of Cisco Systems, Inc. and/or its affiliates in the U.S. and other countries. A listing of Cisco's trademarks can be found at www.cisco.com/go/trademarks. Third party trademarks mentioned are the property of their respective owners. The use of the word partner does not imply a partnership relationship between Cisco and any other company. (1005R)

Any Internet Protocol (IP) addresses and phone numbers used in this document are not intended to be actual addresses and phone numbers. Any examples, command display output, network topology diagrams, and other figures included in the document are shown for illustrative purposes only. Any use of actual IP addresses or phone numbers in illustrative content is unintentional and coincidental.

© 2007–2009 Cisco Systems, Inc. All rights reserved.



Configuring Asynchronous Lines and Interfaces

This chapter describes how to configure asynchronous line features in the following main sections:

- [How to Configure Asynchronous Interfaces and Lines](#)
- [How to Configure Other Asynchronous Line and Interface Features](#)
- [Configuration Examples for Asynchronous Interfaces and Lines](#)

Perform these tasks, as required, for your particular network.

To identify the hardware platform or software image information associated with a feature, use the Feature Navigator on Cisco.com to search for information about the feature or refer to the software release notes for a specific release. For more information, see the “Identifying Supported Platforms” section in the “Using Cisco IOS Software” chapter.

For a complete description of the commands in this chapter, refer to the *Cisco IOS Dial Technologies Command Reference*. To locate documentation of other commands that appear in this chapter, use the command reference master index or search online.

How to Configure Asynchronous Interfaces and Lines

To configure an asynchronous interface, perform the tasks described in the following sections as required:

- [Configuring a Typical Asynchronous Interface](#) (As required)
- [Creating a Group Asynchronous Interface](#) (As required)
- [Configuring Asynchronous Rotary Line Queueing](#) (As required)
- [Configuring Autoselect](#) (As required)

Configuring a Typical Asynchronous Interface

To configure an asynchronous interface, use the following commands beginning in global configuration mode:



	Command	Purpose
Step 1	Router(config)# interface <i>async number</i>	Brings up a single asynchronous interface and enters interface configuration mode.
Step 2	Router(config-if)# description <i>description</i>	Provides a description for the interface.
Step 3	Router(config-if)# ip address <i>address mask</i>	Specifies an IP address.
Step 4	Router(config-if)# encapsulation <i>ppp</i>	Enables PPP to run on the asynchronous interfaces in the group.
Step 5	Router(config-if)# async default routing	Enables the router to pass routing updates to other routers over the AUX port configured as an asynchronous interface.
Step 6	Router(config-if)# async mode <i>dedicated</i>	Places a line into dedicated asynchronous mode using Serial Line Internet Protocol (SLIP) or PPP encapsulation.
Step 7	Router(config-if)# dialer in-band	Specifies that dial-on-demand routing (DDR) is to be supported.
Step 8	Router(config-if)# dialer map <i>protocol next-hop-address</i>	Configures a serial interface to call one or multiple sites or to receive calls from multiple sites.
Step 9	Router(config-if)# dialer-group	Controls access by configuring an interface to belong to a specific dialing group.
Step 10	Router(config-if)# ppp authentication <i>chap pap list-name</i>	Enables Challenge Handshake Authentication Protocol (CHAP) and Password Authentication Protocol (PAP) authentication on the interface. Replace the <i>list-name</i> variable with a specified authentication list name. ¹
Step 11	Router(config-if)# exit	Return to global configuration mode.

1. To create a string used to name the following list of authentication methods tried when a user logs in, refer to the **aaa authentication ppp** command. Authentication methods include RADIUS, TACACS+, and Kerberos.

The “[Interface and Line Configuration Examples](#)” and “[Asynchronous Interface As the Only Network Interface Example](#)” sections later in this chapter contain examples of how to configure an asynchronous interface.

Monitoring and Maintaining Asynchronous Connections

This section describes the following monitoring and maintenance tasks that you can perform on asynchronous interfaces:

- Monitoring and maintaining asynchronous activity
- Debugging asynchronous interfaces
- Debugging PPP

To monitor and maintain asynchronous activity, use the following commands in privileged EXEC mode as needed:

Command	Purpose
Router# clear line <i>line-number</i>	Returns a line to its idle state.
Router# show async bootp	Displays parameters that have been set for extended BOOTP requests.

Command	Purpose
Router# show async status	Displays statistics for asynchronous interface activity.
Router# show line [<i>line-number</i>]	Displays the status of asynchronous line connections.

To debug asynchronous interfaces, use the following debug command in privileged EXEC mode:

Command	Purpose
Router# debug async { framing state packets }	Displays errors, changes in interface state, and log input and output.

To debug PPP links, use the following debug commands in privileged EXEC mode as needed:

Command	Purpose
Router# debug ppp negotiation	Enables debugging of PPP protocol negotiation process.
Router# debug ppp error	Displays PPP protocol errors.
Router# debug ppp packet	Displays PPP packets sent and received.
Router# debug ppp chap	Displays errors encountered during remote or local system authentication.

Creating a Group Asynchronous Interface

Create a group asynchronous interface to project a set of core protocol characteristics to a range of asynchronous interfaces. Configuring the asynchronous interfaces as a group saves you time. Analog modem calls cannot enter the access server without this configuration.

To configure a group asynchronous interface, use the following commands beginning in global configuration mode:

	Command	Purpose
Step 1	Router(config)# interface async <i>number</i>	Brings up a single asynchronous interface and enters interface configuration mode.
Step 2	Router(config-if)# ip unnumbered loopback <i>number</i>	Configures the asynchronous interfaces as unnumbered and assigns the IP address of the loopback interface to them to conserve IP addresses. ¹
Step 3	Router(config-if)# encapsulation ppp	Enables PPP to run on the asynchronous interfaces in the group.
Step 4	Router(config-if)# async mode interactive	Configures interactive mode on the asynchronous interface.
Step 5	Router(config-if)# ppp authentication chap pap <i>list-name</i>	Enables CHAP and PAP authentication on the interface. Replace the <i>list-name</i> variable with a specified authentication list name. ²
Step 6	Router(config-if)# peer default ip address pool <i>poolname</i>	Assigns dial-in clients IP addresses from an address pool. ³

	Command	Purpose
Step 7	Router(config-if)# no cdp enable	Disables the Cisco Discovery Protocol (CDP) on the interface.
Step 8	Router(config-if)# group-range <i>low-end-of-range</i> <i>high-end-of-range</i>	Specifies the range of asynchronous interfaces to include in the group, which is usually equal to the number of modems you have in the access server.
Step 9	Router(config-if)# exit	Returns to global configuration mode.

1. You can also specify the Ethernet interface to conserve address space. In this case, enter the **ip unnumbered ethernet 0** command.
2. To create a string used to name the following list of authentication methods tried when a user logs in, refer to the **aaa authentication ppp** command. Authentication methods include RADIUS, TACACS+, and Kerberos.
3. To create an IP address pool, refer to the **ip local pool** global configuration command.

The “[Group and Member Asynchronous Interface Examples](#)” section later in this chapter contains an example of how to configure a group interface.

Verifying the Group Interface Configuration

To verify the group interface configuration and check if one of the asynchronous interfaces is up, use the **show interface async** command:

```
Router# show interface async 1
```

```
Async1 is up, line protocol is up
modem(slot/port)=1/0, csm_state(0x00000204)=CSM_IC4_CONNECTED, bchan_num=18
modem_status(0x0002): VDEV_STATUS_ACTIVE_CALL.
```

```
Hardware is Async Serial
Interface is unnumbered. Using address of FastEthernet0 (10.1.1.10)
MTU 1500 bytes, BW 115 Kbit, DLY 100000 usec, rely 255/255, load 1/255
Encapsulation PPP, loopback not set, keepalive not set
DTR is pulsed for 5 seconds on reset
LCP Open
Open: IPCP
Last input 00:00:00, output 00:00:00, output hang never
Last clearing of "show interface" counters never
Queueing strategy: fifo
Output queue 0/5, 0 drops; input queue 1/5, 0 drops
5 minute input rate 37000 bits/sec, 87 packets/sec
5 minute output rate 0 bits/sec, 0 packets/sec
 31063 packets input, 1459806 bytes, 0 no buffer
  Received 0 broadcasts, 0 runts, 0 giants, 0 throttles
  0 input errors, 0 CRC, 0 frame, 0 overrun, 0 ignored, 0 abort
 33 packets output, 1998 bytes, 0 underruns
  0 output errors, 0 collisions, 0 interface resets
  0 output buffer failures, 0 output buffers swapped out
  0 carrier transitions
```

If you are having trouble, enter one of the following **debug** commands and then send a call into the access server. Interpret the output and make configuration changes accordingly.

- **undebug all**
- **debug ppp negotiation**
- **debug ppp authentication**
- **debug modem**

- **debug ip peer**

```

Router# undebug all
All possible debugging has been turned off
Router# debug ppp negotiation
PPP protocol negotiation debugging is on
Router# debug ppp authentication
PPP authentication debugging is on
Router# debug modem
Modem control/process activation debugging is on
Router# debug ip peer
IP peer address activity debugging is on
Router# show debug
General OS:
  Modem control/process activation debugging is on
Generic IP:
  IP peer address activity debugging is on
PPP:
  PPP authentication debugging is on
  PPP protocol negotiation debugging is on
Router#
*Mar 1 21:34:56.958: tty4: DSR came up
*Mar 1 21:34:56.962: tty4: Modem: IDLE->READY
*Mar 1 21:34:56.970: tty4: EXEC creation
*Mar 1 21:34:56.978: tty4: set timer type 10, 30 seconds
*Mar 1 21:34:59.722: tty4: Autoselect(2) sample 7E
*Mar 1 21:34:59.726: tty4: Autoselect(2) sample 7EFF
*Mar 1 21:34:59.730: tty4: Autoselect(2) sample 7EFF7D
*Mar 1 21:34:59.730: tty4: Autoselect(2) sample 7EFF7D23
*Mar 1 21:34:59.734: tty4 Autoselect cmd: ppp negotiate
*Mar 1 21:34:59.746: tty4: EXEC creation
*Mar 1 21:34:59.746: tty4: create timer type 1, 600 seconds
*Mar 1 21:34:59.786: ip_get_pool: As4: using pool default
*Mar 1 21:34:59.790: ip_get_pool: As4: returning address = 172.20.1.101
*Mar 1 21:34:59.794: tty4: destroy timer type 1 (OK)
*Mar 1 21:34:59.794: tty4: destroy timer type 0
*Mar 1 21:35:01.798: %LINK-3-UPDOWN: Interface Async4, changed state to up
*Mar 1 21:35:01.834: As4 PPP: Treating connection as a dedicated line
*Mar 1 21:35:01.838: As4 PPP: Phase is ESTABLISHING, Active Open
*Mar 1 21:35:01.842: As4 LCP: O CONFREQ [Closed] id 1 len 25
*Mar 1 21:35:01.846: As4 LCP: ACCM 0x000A0000 (0x0206000A0000)
*Mar 1 21:35:01.850: As4 LCP: AuthProto CHAP (0x0305C22305)
*Mar 1 21:35:01.854: As4 LCP: MagicNumber 0x64E923A8 (0x050664E923A8)
*Mar 1 21:35:01.854: As4 LCP: PFC (0x0702)
*Mar 1 21:35:01.858: As4 LCP: ACFC (0x0802)
*Mar 1 21:35:02.718: As4 LCP: I CONFREQ [REQsent] id 3 len 23
*Mar 1 21:35:02.722: As4 LCP: ACCM 0x000A0000 (0x0206000A0000)
*Mar 1 21:35:02.726: As4 LCP: MagicNumber 0x00472467 (0x050600472467)
*Mar 1 21:35:02.726: As4 LCP: PFC (0x0702)
*Mar 1 21:35:02.730: As4 LCP: ACFC (0x0802)
*Mar 1 21:35:02.730: As4 LCP: Callback 6 (0x0D0306)
*Mar 1 21:35:02.738: As4 LCP: O CONFREQ [REQsent] id 3 len 7
*Mar 1 21:35:02.738: As4 LCP: Callback 6 (0x0D0306)
*Mar 1 21:35:02.850: As4 LCP: I CONFREQ [REQsent] id 4 len 20
*Mar 1 21:35:02.854: As4 LCP: ACCM 0x000A0000 (0x0206000A0000)
*Mar 1 21:35:02.854: As4 LCP: MagicNumber 0x00472467 (0x050600472467)
*Mar 1 21:35:02.858: As4 LCP: PFC (0x0702)
*Mar 1 21:35:02.858: As4 LCP: ACFC (0x0802)
*Mar 1 21:35:02.862: As4 LCP: O CONFACK [REQsent] id 4 len 20
*Mar 1 21:35:02.866: As4 LCP: ACCM 0x000A0000 (0x0206000A0000)
*Mar 1 21:35:02.870: As4 LCP: MagicNumber 0x00472467 (0x050600472467)
*Mar 1 21:35:02.870: As4 LCP: PFC (0x0702)
*Mar 1 21:35:02.874: As4 LCP: ACFC (0x0802)
*Mar 1 21:35:03.842: As4 LCP: TIMEout: State ACKsent

```

```

*Mar 1 21:35:03.842: As4 LCP: O CONFREQ [ACKsent] id 2 len 25
*Mar 1 21:35:03.846: As4 LCP:   ACCM 0x000A0000 (0x0206000A0000)
*Mar 1 21:35:03.850: As4 LCP:   AuthProto CHAP (0x0305C22305)
*Mar 1 21:35:03.854: As4 LCP:   MagicNumber 0x64E923A8 (0x050664E923A8)
*Mar 1 21:35:03.854: As4 LCP:   PFC (0x0702)
*Mar 1 21:35:03.858: As4 LCP:   ACFC (0x0802)
*Mar 1 21:35:03.962: As4 LCP: I CONFACK [ACKsent] id 2 len 25
*Mar 1 21:35:03.966: As4 LCP:   ACCM 0x000A0000 (0x0206000A0000)
*Mar 1 21:35:03.966: As4 LCP:   AuthProto CHAP (0x0305C22305)
*Mar 1 21:35:03.970: As4 LCP:   MagicNumber 0x64E923A8 (0x050664E923A8)
*Mar 1 21:35:03.974: As4 LCP:   PFC (0x0702)
*Mar 1 21:35:03.974: As4 LCP:   ACFC (0x0802)
*Mar 1 21:35:03.978: As4 LCP: State is Open
*Mar 1 21:35:03.978: As4 PPP: Phase is AUTHENTICATING, by this end
*Mar 1 21:35:03.982: As4 CHAP: O CHALLENGE id 1 len 26 from "nas-1"
*Mar 1 21:35:04.162: As4 CHAP: I RESPONSE id 1 len 26 from "krist"
*Mar 1 21:35:04.170: As4 AUTH: Started process 0 pid 47
*Mar 1 21:35:04.182: As4 CHAP: O SUCCESS id 1 len 4
*Mar 1 21:35:04.186: As4 PPP: Phase is UP
*Mar 1 21:35:04.190: As4 IPCP: O CONFREQ [Not negotiated] id 1 len 10
*Mar 1 21:35:04.194: As4 IPCP:   Address 172.20.1.2 (0x0306AC140102)
*Mar 1 21:35:04.202: As4 CDPCP: O CONFREQ [Closed] id 1 len 4
*Mar 1 21:35:04.282: As4 IPCP: I CONFREQ [REQsent] id 1 len 40
*Mar 1 21:35:04.282: As4 IPCP:   CompressType VJ 15 slots CompressSlotID (0x02
06002D0F01)
*Mar 1 21:35:04.286: As4 IPCP:   Address 0.0.0.0 (0x030600000000)
*Mar 1 21:35:04.290: As4 IPCP:   PrimaryDNS 0.0.0.0 (0x810600000000)
*Mar 1 21:35:04.294: As4 IPCP:   PrimaryWINS 0.0.0.0 (0x820600000000)
*Mar 1 21:35:04.298: As4 IPCP:   SecondaryDNS 0.0.0.0 (0x830600000000)
*Mar 1 21:35:04.302: As4 IPCP:   SecondaryWINS 0.0.0.0 (0x840600000000)
*Mar 1 21:35:04.306: As4 IPCP: O CONFREQ [REQsent] id 1 len 10
*Mar 1 21:35:04.310: As4 IPCP:   CompressType VJ 15 slots CompressSlotID (0x02
06002D0F01)
*Mar 1 21:35:04.314: As4 CCP: I CONFREQ [Not negotiated] id 1 len 15
*Mar 1 21:35:04.318: As4 CCP:   MS-PPC supported bits 0x00000001 (0x1206000000
01)
*Mar 1 21:35:04.318: As4 CCP:   Stacker history 1 check mode EXTENDED (0x11050
00104)
*Mar 1 21:35:04.322: As4 LCP: O PROTREQ [Open] id 3 len 21 protocol CCP
*Mar 1 21:35:04.326: As4 LCP:   (0x80FD0101000F12060000000111050001)
*Mar 1 21:35:04.330: As4 LCP:   (0x04)
*Mar 1 21:35:04.334: As4 IPCP: I CONFACK [REQsent] id 1 len 10
*Mar 1 21:35:04.338: As4 IPCP:   Address 172.20.1.2 (0x0306AC140102)
*Mar 1 21:35:04.342: As4 LCP: I PROTREQ [Open] id 5 len 10 protocol CDPCP (0x82
0701010004)
*Mar 1 21:35:04.342: As4 CDPCP: State is Closed
*Mar 1 21:35:05.186: %LINEPROTO-5-UPDOWN: Line protocol on Interface Async4, ch
anged state to up
*Mar 1 21:35:05.190: As4 PPP: Unsupported or un-negotiated protocol. Link cdp
*Mar 1 21:35:05.190: As4 PPP: Trying to negotiate NCP for Link cdp
*Mar 1 21:35:05.194: As4 CDPCP: State is Closed
*Mar 1 21:35:05.198: As4 CDPCP: TIMEOUT: State Closed
*Mar 1 21:35:05.202: As4 CDPCP: State is Listen
*Mar 1 21:35:06.202: As4 IPCP: TIMEOUT: State ACKrcvd
*Mar 1 21:35:06.206: As4 IPCP: O CONFREQ [ACKrcvd] id 2 len 10
*Mar 1 21:35:06.206: As4 IPCP:   Address 172.20.1.2 (0x0306AC140102)
*Mar 1 21:35:06.314: As4 IPCP: I CONFACK [REQsent] id 2 len 10
*Mar 1 21:35:06.318: As4 IPCP:   Address 172.20.1.2 (0x0306AC140102)
*Mar 1 21:35:07.274: As4 IPCP: I CONFREQ [ACKrcvd] id 2 len 34
*Mar 1 21:35:07.278: As4 IPCP:   Address 0.0.0.0 (0x030600000000)
*Mar 1 21:35:07.282: As4 IPCP:   PrimaryDNS 0.0.0.0 (0x810600000000)
*Mar 1 21:35:07.286: As4 IPCP:   PrimaryWINS 0.0.0.0 (0x820600000000)
*Mar 1 21:35:07.286: As4 IPCP:   SecondaryDNS 0.0.0.0 (0x830600000000)
*Mar 1 21:35:07.290: As4 IPCP:   SecondaryWINS 0.0.0.0 (0x840600000000)

```

```

*Mar 1 21:35:07.294: As4 IPCP: O CONFNAK [ACKrcvd] id 2 len 34
*Mar 1 21:35:07.298: As4 IPCP:   Address 172.20.1.101 (0x0306AC140165)
*Mar 1 21:35:07.302: As4 IPCP:   PrimaryDNS 172.20.5.100 (0x8106AC140564)
*Mar 1 21:35:07.306: As4 IPCP:   PrimaryWINS 172.20.5.101 (0x8206AC140565)
*Mar 1 21:35:07.310: As4 IPCP:   SecondaryDNS 172.20.6.100 (0x8306AC140664)
*Mar 1 21:35:07.314: As4 IPCP:   SecondaryWINS 172.20.6.101 (0x8406AC140665)
*Mar 1 21:35:07.426: As4 IPCP: I CONFREQ [ACKrcvd] id 3 len 34
*Mar 1 21:35:07.430: As4 IPCP:   Address 172.20.1.101 (0x0306AC140165)
*Mar 1 21:35:07.434: As4 IPCP:   PrimaryDNS 172.20.5.100 (0x8106AC140564)
*Mar 1 21:35:07.438: As4 IPCP:   PrimaryWINS 172.20.5.101 (0x8206AC140565)
*Mar 1 21:35:07.442: As4 IPCP:   SecondaryDNS 172.20.6.100 (0x8306AC140664)
*Mar 1 21:35:07.446: As4 IPCP:   SecondaryWINS 172.20.6.101 (0x8406AC140665)
*Mar 1 21:35:07.446: ip_get_pool: As4: validate address = 172.20.1.101
*Mar 1 21:35:07.450: ip_get_pool: As4: using pool default
*Mar 1 21:35:07.450: ip_get_pool: As4: returning address = 172.20.1.101
*Mar 1 21:35:07.454: set_ip_peer_addr: As4: address = 172.20.1.101 (3) is redundant
*Mar 1 21:35:07.458: As4 IPCP: O CONFACK [ACKrcvd] id 3 len 34
*Mar 1 21:35:07.462: As4 IPCP:   Address 172.20.1.101 (0x0306AC140165)
*Mar 1 21:35:07.466: As4 IPCP:   PrimaryDNS 172.20.5.100 (0x8106AC140564)
*Mar 1 21:35:07.470: As4 IPCP:   PrimaryWINS 172.20.5.101 (0x8206AC140565)
*Mar 1 21:35:07.474: As4 IPCP:   SecondaryDNS 172.20.6.100 (0x8306AC140664)
*Mar 1 21:35:07.474: As4 IPCP:   SecondaryWINS 172.20.6.101 (0x8406AC140665)
*Mar 1 21:35:07.478: As4 IPCP: State is Open
*Mar 1 21:35:07.490: As4 IPCP: Install route to 172.20.1.101
*Mar 1 21:35:25.038: As4 PPP: Unsupported or un-negotiated protocol. Link cdp
*Mar 1 21:36:12.614: tty0: timer type 1 expired
*Mar 1 21:36:12.614: tty0: Exec timer (continued)
*Mar 1 21:36:25.038: As4 PPP: Unsupported or un-negotiated protocol. Link cdp
*Mar 1 21:37:25.038: As4 PPP: Unsupported or un-negotiated protocol. Link cdp
*Mar 1 21:38:25.038: As4 PPP: Unsupported or un-negotiated protocol. Link cdp
*Mar 1 21:39:25.038: As4 PPP: Unsupported or un-negotiated protocol. Link cdp
*Mar 1 21:40:25.038: As4 PPP: Unsupported or un-negotiated protocol. Link cdp
*Mar 1 21:41:25.038: As4 PPP: Unsupported or un-negotiated protocol. Link cdp
*Mar 1 21:42:25.038: As4 PPP: Unsupported or un-negotiated protocol. Link cdp
*Mar 1 21:43:25.038: As4 PPP: Unsupported or un-negotiated protocol. Link cdp

```

Configuring Asynchronous Rotary Line Queueing

The Cisco IOS Asynchronous Rotary Line Queueing feature allows Telnet connection requests to busy asynchronous rotary groups to be queued so that users automatically obtain the next available line, rather than needing to try repeatedly to open a Telnet connection. The Cisco IOS software sends a periodic message to the user to update progress in the connection queue.

This feature allows users to make effective use of the asynchronous rotary groups on a Cisco router to access legacy mainframes or other serial devices with a limited number of asynchronous ports that might be used by a large number of users. Users that are unable to make a Telnet connection on the first attempt are assured of eventual success in an orderly process. They are no longer required to guess when a line might be available and to retry manually again and again.

Connections are authenticated using the method specified for the line configurations for the asynchronous rotary group. If a connection is queued, authentication is done prior to queueing and no authentication is done when the connection is later established.

Make sure you comply with the following requirements when configuring asynchronous rotary line queueing:

- Configure more virtual terminal lines than will ever be used by waiting asynchronous rotary connection attempts. Even when the queue is at its maximum, there must be at least one virtual terminal line available so that system operators or network administrators can use Telnet to access the router to show, debug, or configure system performance.
- When adding lines to a rotary group, all lines must be either queued or not queued. A mixture of queued and unqueued lines in the same rotary group is not supported and can result in unexpected behavior.
- All lines within a queued rotary group need to use the same authentication method. Using different authentication methods within the same rotary group can result in unexpected behavior.

To configure asynchronous rotary line queueing, use the following commands beginning in global configuration mode:

	Command	Purpose
Step 1	Router (config)# line [aux console tty vty] <i>line-number</i> [<i>ending-line-number</i>]	Starts line configuration mode on the line type and numbers specified.
Step 2	Router(config-line)# rotary group [queued round-robin]	Enables asynchronous rotary line queueing on the designated line or group of lines. The optional round-robin keyword selects a round-robin port selection algorithm instead of the default (queued) linear port selection algorithm.

See the “[Rotary Group Examples](#)” section for configuration examples.

Verifying Asynchronous Rotary Line Queueing

To verify operation of asynchronous rotary line queueing, perform the following tasks:

- Use the **show line** command in EXEC mode to check the status of the vty lines.
- Use the **show line async-queue** command in EXEC mode to check the status of queued connection requests.

Troubleshooting Asynchronous Rotary Lines

If asynchronous rotary line queueing is not operating correctly, use the following **debug** commands in privileged EXEC mode to determine where the problem may lie:

- **debug async async-queue**
- **debug ip tcp transactions**
- **debug modem**

Refer to the *Cisco IOS Debug Command Reference* for information about these commands.

Monitoring and Maintaining Asynchronous Rotary Line Queues

To display queued lines and to remove lines from the queue, use the following commands in EXEC mode as needed:

Command	Purpose
Router# show line async-queue <i>rotary-group</i>	Displays which lines are queued.
Router# clear line async-queue <i>rotary-group</i>	Clears all rotary queues or the specified rotary queue. If the <i>rotary-group</i> argument is not specified, all rotary queues are removed.

Configuring Autoselect

Autoselect is used by the access server to sense the protocol being received on an incoming line and to launch the appropriate protocol. Autoselect can be used for AppleTalk Remote Access (ARA), PPP, or SLIP.

When using Autoselect, “login” authentication is bypassed, so if security is required, it must be performed at the protocol level, that is, the AppleTalk Remote Access Protocol (ARAP) or PPP authentication. SLIP does not offer protocol layer authentication.

To configure the Cisco IOS software to allow an ARA, PPP, or SLIP session to start automatically, use the following command in line configuration mode:

Command	Purpose
Router(config-line)# autoselect { arap ppp slip during login }	Configures a line to automatically start an ARA, PPP, or SLIP session.

The **autoselect** command enables the Cisco IOS software to start a process automatically when a start character is received.

The **autoselect** command bypasses the login prompt and enables the specified session to begin automatically. However, when the **autoselect** command is entered with the **during login** keyword, the username or password prompt appears without the need to press the Return key; thus “login” users will get a prompt right away without needing to press the Return key. While the username or password prompt is displayed, you can choose either to answer these prompts or to send packets from an autoselected protocol.

Normally a router avoids line and modem noise by clearing the initial data received within the first one or two seconds. However, when the autoselect PPP feature is configured, the router flushes characters initially received and then waits for more traffic. This flush causes timeout problems with applications that send only one carriage return. To ensure that the input data sent by a modem or other asynchronous device is not lost after line activation, enter the **flush-at-activation** line configuration command.



Note

When the **autoselect** command is used, the activation character should be set to the default Return, and `exec-character-bits` should be set to 7. If you change these defaults, the application cannot recognize the activation request.

See the “[High-Density Dial-In Solution Using Autoselect and EXEC Control Example](#)” section for an example that makes use of the autoselect feature.

Verifying Autoselect PPP

The following trace appears when the **debug modem** and **debug ppp negotiation** commands are enabled. As PPP calls pass through the access server, you should see this output.

When autoselect is used, “login” authentication is bypassed. If security is required, it must be performed at the protocol level (that is, ARAP or PPP authentication). SLIP does not offer protocol layer authentication.

```

22:21:02: TTY1: DSR came up
22:21:02: tty1: Modem: IDLE->READY
22:21:02: TTY1: Autoselect started
22:21:05: TTY1: Autoselect sample 7E
22:21:05: TTY1: Autoselect sample 7EFF
22:21:05: TTY1: Autoselect sample 7EFF7D
22:21:05: TTY1 Autoselect cmd: ppp default
22:21:05: TTY1: EXEC creation
%LINK-3-UPDOWN: Interface Async1, changed state to up
22:21:07: ppp: sending CONFREQ, type = 2 (CI_ASYNCMAP), value = A0000
22:21:07: ppp: sending CONFREQ, type = 5 (CI_MAGICNUMBER), value = 23BE13AA
22:21:08: PPP Async1: state = REQSENT fsm_rconfack(0xC021): rcvd id 0x11
22:21:08: ppp: config ACK received, type = 2 (CI_ASYNCMAP), value = A0000
22:21:08: ppp: config ACK received, type = 5 (CI_MAGICNUMBER), value = 23BE13AA
22:21:08: ppp: config ACK received, type = 7 (CI_PCOMPRESSION)
22:21:08: ppp: config ACK received, type = 8 (CI_ACCOMPRESSION)
22:21:08: PPP Async1: received config for type = 0x2 (ASYNCMAP) value = 0x0 acked
22:21:08: PPP Async1: received config for type = 0x5 (MAGICNUMBER) value = 0x2A acked
22:21:08: PPP Async1: received config for type = 0x7 (PCOMPRESSION) acked
22:21:08: PPP Async1: received config for type = 0x8 (ACCOMPRESSION) acked
22:21:08: ipcp: sending CONFREQ, type = 3 (CI_ADDRESS), Address = 172.16.1.1
22:21:08: ppp Async1: ipcp_reqci: rcvd COMPRESSTYPE (rejected) (REJ)
22:21:08: ppp Async1: Negotiate IP address: her address 0.0.0.0 (NAK with address
172.16.1.100) (NAK)
22:21:08: ppp: ipcp_reqci: returning CONFREJ.
22:21:08: PPP Async1: state = REQSENT fsm_rconfack(0x8021): rcvd id 0x9
22:21:08: ipcp: config ACK received, type = 3 (CI_ADDRESS), Address = 172.16.1.1
22:21:08: ppp Async1: Negotiate IP address: her address 0.0.0.0 (NAK with address
172.16.1.100) (NAK)
22:21:08: ppp: ipcp_reqci: returning CONFNAK.
22:21:09: ppp Async1: Negotiate IP address: her address 172.16.1.100 (ACK)
22:21:09: ppp: ipcp_reqci: returning CONFACK.
%LINEPROTO-5-UPDOWN: Line protocol on Interface Async1, changed state to up

```

Verifying Autoselect ARA

The following trace appears when the **debug modem** and **debug arap internal** commands are enabled. As ARA version 2.0 calls pass through the access server, this output is displayed.

```

20:45:11: TTY3: DSR came up
20:45:11: tty3: Modem: IDLE->READY
20:45:11: TTY3: EXEC creation
20:45:11: TTY3: Autoselect(2) sample 1
20:45:11: TTY3: Autoselect(2) sample 11B
20:45:12: TTY3: Autoselect(2) sample 11B02
20:45:18: ARAP: ----- SRVRVERSION -----
20:45:19: ARAP: ----- ACKing 0 -----
20:45:19: ARAP: ----- AUTH_CHALLENGE -----
20:45:21: ARAP: ----- ACKing 1 -----
20:45:21: ARAP: ----- AUTH_RESPONSE -----
20:45:21: ARAP: ----- STARTINFOFROMSERVER -----
20:45:22: ARAP: ----- ACKing 2 -----
22:45:22: ARAP: ----- ZONELISTINFO -----

```

```
22:45:22: ARAP: ----- ZONELISTINFO -----
22:45:22: ARAP: ----- ZONELISTINFO -----
```

The following trace is for ARA version 1.0 calls:

```
22:31:45: TTY1: DSR came up
22:31:45: tty1: Modem: IDLE->READY
22:31:45: TTY1: Autoselect started
22:31:46: TTY1: Autoselect sample 16
22:31:46: TTY1: Autoselect sample 1610
22:31:46: TTY1: Autoselect sample 161002
22:31:47: ARAP: ----- SRVRVERSION -----
22:31:47: ARAP: ----- ACKing 0 -----
22:31:47: ARAP: ----- AUTH_CHALLENGE -----
22:31:47: ARAP: ----- ACKing 1 -----
22:31:47: ARAP: ----- AUTH_RESPONSE -----
22:31:47: ARAP: ----- STARTINFOFROMSERVER -----
22:31:48: ARAP: ----- ACKing 2 -----
22:31:48: ARAP: ----- ZONELISTINFO -----
22:31:48: ARAP: ----- ZONELISTINFO -----
22:31:49: ARAP: ----- ZONELISTINFO -----
```

How to Configure Other Asynchronous Line and Interface Features

This section describes the following asynchronous line and interface configurations:

- [Configuring the Auxiliary \(AUX\) Port](#)
- [Establishing and Controlling the EXEC Process](#)
- [Enabling Routing on Asynchronous Interfaces](#)
- [Configuring Dedicated or Interactive PPP and SLIP Sessions](#)
- [Conserving Network Addresses](#)
- [Using Advanced Addressing Methods for Remote Devices](#)
- [Optimizing Available Bandwidth](#)

Configuring the Auxiliary (AUX) Port

The AUX (auxiliary) port is typically configured as an asynchronous serial interface on routers without built-in asynchronous interfaces. To configure the AUX port as an asynchronous interface, configure it first as an auxiliary line with the **line aux 1** global configuration command.

The AUX port sends a data terminal ready (DTR) signal only when a Telnet connection is established. The auxiliary port does not use request to send/clear to send (RTS/CTS) handshaking for flow control. To understand the differences between standard asynchronous interfaces and AUX ports configured as an asynchronous interface, refer to [Table 1](#). To enable the auxiliary port, use the following command in global configuration mode:

Command	Purpose
Router(config)# line aux <i>line-number</i>	Enables the auxiliary serial DTE port.

You cannot use the auxiliary (AUX) port as a second console port. To use the AUX port as a console port, you must order a special cable from your technical support personnel.

On an access server, you can configure any of the available asynchronous interfaces (1 through 8, 16, or 48). The auxiliary port (labeled AUX on the back of the product) can also be configured as an asynchronous serial interface, although performance on the AUX port is much slower than on standard asynchronous interfaces and the port does not support some features.

[Table 1](#) illustrates why asynchronous interfaces permit substantially better performance than AUX ports configured as asynchronous interfaces.

Table 1 Differences Between the Asynchronous Port and the Auxiliary (AUX) Port

Feature	Asynchronous Interface	Auxiliary Port
Maximum speed	115200 bps	38400 bps
DMA buffering support ¹	Yes	No
PPP framing on chip ²	Yes	No
IP fast switching ³	Yes	No

1. Direct Memory Access (DMA) buffering moves data packets directly to and from system memory without interrupting the main CPU. This process removes overhead from the CPU and increases overall system performance.
2. PPP framing on a hardware chip removes overhead from the CPU on the router, which enables the router to sustain 115200 bps throughput on all asynchronous ports simultaneously.
3. After the destination of the first IP packet is added to the fast switching cache, it is fast switched to and from other interfaces with minimal involvement from the main processor.

On routers without built-in asynchronous interfaces, only the AUX port can be configured as an asynchronous serial interface. To configure the AUX port as an asynchronous interface, you must also configure it as an auxiliary line with the **line aux 1** command. Access servers do not have this restriction. Use the line command with the appropriate line configuration commands for modem control, such as speed.

Only IP packets can be sent across lines configured for SLIP. PPP supports transmission of IP, Internet Packet Exchange (IPX), and AppleTalk packets on an asynchronous serial interface.

See the [“Line AUX Configuration Example”](#) section for an example that shows how to configure the AUX port.

Establishing and Controlling the EXEC Process

By default, the Cisco IOS software starts an EXEC process on all lines. However, you can control EXEC processes, as follows:

- Turn the EXEC process on or off. (A serial printer, for example, should not have an EXEC session started.)
- Set the idle terminal timeout interval.

The EXEC command interpreter waits for a specified amount of time to receive user input. If no input is detected, the EXEC facility resumes the current connection. If no connections exist, it returns the terminal to the idle state and disconnects the incoming connection.

To control the EXEC process, use the following commands in line configuration mode:

	Command	Purpose
Step 1	Router(config-line)# exec	Turns on EXEC processes.
Step 2	Router(config-line)# exec-timeout <i>minutes</i> [<i>seconds</i>]	Sets the idle terminal timeout interval.

See the “[High-Density Dial-In Solution Using Autoselect and EXEC Control Example](#)” section for an example of configuring control over the EXEC process.

Enabling Routing on Asynchronous Interfaces

To route IP packets on an asynchronous interface, use one of the following commands in interface configuration mode:

Command	Purpose
Router(config-if)# async dynamic routing	Configures an asynchronous interface for dynamic routing. Use this command to manually bring up PPP from an EXEC session.
Router(config-if)# async default routing	Automatically configures an asynchronous interface for routing. Use this command to enable two routers to communicate over an asynchronous dial backup link.

The **async dynamic routing** command routes IP packets on an asynchronous interface, which permits you to enable the Interior Gateway Routing Protocol (IGRP), Routing Information Protocol (RIP), and Open Shortest Path First (OSPF) routing protocols for use when the user makes a connection using the **ppp** or **slip** EXEC commands. The user must, however, specify the **/routing** keyword at the SLIP or PPP command line.

For asynchronous interfaces in interactive mode, the **async default routing** command causes the **ppp** and **slip** EXEC commands to be interpreted as though the **/route** switch had been included in the command. For asynchronous interfaces in dedicated mode, the **async dynamic routing** command enables routing protocols to be used on the line. Without the **async default routing** command, there is no way to enable the use of routing protocols automatically on a dedicated asynchronous interface.

See the following sections for examples of enabling routing on asynchronous interfaces:

- [Asynchronous Interface As the Only Network Interface Example](#)
- [IGRP Configuration Example](#)

Configuring Dedicated or Interactive PPP and SLIP Sessions

You can configure one or more asynchronous interfaces on your access server (and one on a router) to be in dedicated network interface mode. In dedicated mode, an interface is automatically configured for SLIP or PPP connections. There is no user prompt or EXEC level, and no end-user commands are required to initiate remote-node connections. If you want a line to be used only for SLIP or PPP connections, configure the line for dedicated mode.

In interactive mode, a line can be used to make any type of connection, depending on the EXEC command entered by the user. For example, depending on its configuration, the line could be used for Telnet or XRemote connections, or SLIP or PPP encapsulation. The user is prompted for an EXEC command before a connection is initiated.

You can configure an asynchronous interface to be in dedicated network mode. When the interface is configured for dedicated mode, the end user cannot change the encapsulation method, address, or other parameters.

To configure an interface for dedicated network mode or to return it to interactive mode, use one of the following commands in interface configuration mode:

Command	Purpose
Router(config-if)# async mode dedicated	Places the line into dedicated asynchronous network mode.
Router(config-if)# async mode interactive	Returns the line to interactive mode.

By default, no asynchronous mode is configured. In this state, the line is not available for inbound networking because the SLIP and PPP connections are disabled.

See the [“Dedicated Asynchronous Interface Configuration Example”](#) section for an example of how to configure a dedicated asynchronous interface.

Conserving Network Addresses

When asynchronous routing is enabled, you might need to conserve network addresses by configuring the asynchronous interfaces as *unnumbered*. An unnumbered interface does not have an address. Network resources are therefore conserved because fewer network numbers are used and routing tables are smaller.

To configure an unnumbered interface, use the following command in interface configuration mode:

Command	Purpose
Router(config-if)# ip unnumbered <i>type number</i>	Conserves IP addresses by configuring the asynchronous interfaces as unnumbered, and assigns the IP address of the interface type that you want to leverage.

Whenever the unnumbered interface generates a packet (for example, a routing update), it uses the address of the specified interface as the source address of the IP packet. It also uses the address of the specified interface to determine which routing processes are sending updates over the unnumbered interface.

You can use the IP unnumbered feature even if the system on the other end of the asynchronous link does not support it. The IP unnumbered feature is transparent to the other end of the link because each system bases its routing activities on information in the routing updates it receives and on its own interface address.

See the [“Network Address Conservation Using the ip unnumbered Command Example”](#) section for an example of how to conserve network addresses.

Using Advanced Addressing Methods for Remote Devices

You can control whether addressing is dynamic (the user specifies the address at the EXEC level when making the connection) or whether default addressing is used (the address is forced by the system). If you specify dynamic addressing, the router must be in interactive mode and the user will enter the address at the EXEC level.

It is common to configure an asynchronous interface to have a default address and to allow dynamic addressing. With this configuration, the choice between the default address or dynamic addressing is made by the users when they enter the **slip** or **ppp** EXEC command. If the user enters an address, it is used, and if the user enters the **default** keyword, the default address is used.

This section describes the following optional tasks:

- [Assigning a Default Asynchronous Address](#)
- [Allowing an Asynchronous Address to Be Assigned Dynamically](#)

Assigning a Default Asynchronous Address

To assign a permanent default asynchronous address, use the following command in interface configuration mode:

Command	Purpose
Router(config-if)# peer default ip address <i>ip-address</i>	Assigns a default IP address to an asynchronous interface.

Use the **no** form of this command to disable the default address. If the server has been configured to authenticate asynchronous connections, you are prompted for a password after you enter the **slip default** or **ppp default** EXEC command before the line is placed into asynchronous mode.

The assigned default address is implemented when the user enters the **slip default** or **ppp default** EXEC command. The transaction is validated by the TACACS server, when enabled, and the line is put into network mode using the address that is in the configuration file.

Configuring a default address is useful when the user is not required to know the IP address to gain access to a system (for example, users of a server that is available to many students on a campus). Instead of each user being required to know an IP address, they only need to enter the **slip default** or **ppp default** EXEC command and let the server select the address to use.

See the following sections for examples:

- [Modem Asynchronous Group Example](#)
- [Configuring Specific IP Addresses for an Interface](#)
- [IP and PPP Asynchronous Interface Configuration Example](#)

Allowing an Asynchronous Address to Be Assigned Dynamically

When a line is configured for dynamic assignment of asynchronous addresses, the user enters the **slip** or **ppp** EXEC command and is prompted for an address or logical host name. The address is validated by TACACS, when enabled, and the line is assigned the given address and put into asynchronous mode.

Assigning asynchronous addresses dynamically is useful when you want to assign set addresses to users. For example, an application on a personal computer that automatically dials in using Serial Line Internet Protocol (SLIP) and polls for electronic mail messages can be set up to dial in periodically and enter the required IP address and password.

To assign asynchronous addresses dynamically, use the following command in interface configuration mode:

Command	Purpose
Router(config-if)# async dynamic address	Allows the IP address to be assigned when the protocol is initiated.

The dynamic addressing features of the internetwork allow packets to get to their destination and back regardless of the access server, router, or network they are sent from. For example, if a host such as a laptop computer moves from place to place, it can keep the same address no matter where it is dialing in from.

Logical host names are first converted to uppercase and then sent to the TACACS server for authentication.

See the following sections for examples of configurations that allow asynchronous addresses to be assigned dynamically:

- [Access Restriction on the Asynchronous Interface Example](#)
- [Asynchronous Routing and Dynamic Addressing Configuration Example](#)
- [Network Address Conservation Using the ip unnumbered Command Example](#)

Optimizing Available Bandwidth

Asynchronous lines have relatively low bandwidth and can easily be overloaded, resulting in slow traffic across these lines.

To optimize available bandwidth, perform either of the following optional tasks:

- [Configuring Header Compression](#)
- [Forcing Header Compression at the EXEC Level](#)

Configuring Header Compression

One way to optimize available bandwidth is by using TCP header compression. Van Jacobson TCP header compression (defined by RFC 1144) can increase bandwidth availability two- to five-fold when compared to lines not using header compression. Theoretically, it can improve bandwidth availability by a ratio of seven to one.

To configure header compression, use the following command in interface configuration mode:

Command	Purpose
Router(config-if)# ip tcp header-compression [on off passive]	Configures Van Jacobson TCP header compression on the asynchronous link.

Forcing Header Compression at the EXEC Level

On SLIP interfaces, you can force header compression at the EXEC prompt on a line on which header compression has been set to passive. This option allows more efficient use of the available bandwidth and does not require entering privileged configuration mode.

To implement header compression, use the following command in interface configuration mode:

Command	Purpose
Router(config-if)# ip tcp header-compression passive	Allows status of header compression to be assigned at the user level.

For PPP interfaces, the **passive** option functions the same as the **on** option.

See the following sections for examples of header compression:

- [TCP Header Compression Configuration Example](#)
- [Network Address Conservation Using the ip unnumbered Command Example](#)
- [IGRP Configuration Example](#)

Configuration Examples for Asynchronous Interfaces and Lines

This section provides the following asynchronous interface configuration examples:

- [Interface and Line Configuration Examples](#)
- [Line AUX Configuration Example](#)
- [Rotary Group Examples](#)
- [Dedicated Asynchronous Interface Configuration Example](#)
- [Access Restriction on the Asynchronous Interface Example](#)
- [Group and Member Asynchronous Interface Examples](#)
- [Asynchronous Interface Address Pool Examples](#)
- [IP and SLIP Using an Asynchronous Interface Example](#)
- [IP and PPP Asynchronous Interface Configuration Example](#)
- [Asynchronous Routing and Dynamic Addressing Configuration Example](#)
- [TCP Header Compression Configuration Example](#)
- [Network Address Conservation Using the ip unnumbered Command Example](#)
- [Asynchronous Interface As the Only Network Interface Example](#)
- [Routing on a Dedicated Dial-In Router Example](#)
- [IGRP Configuration Example](#)

Interface and Line Configuration Examples

This section contains the following examples:

- [Asynchronous Interface Backup DDR Configuration Example](#)
- [Passive Header Compression and Default Address Example](#)
- [High-Density Dial-In Solution Using Autoselect and EXEC Control Example](#)
- [Asynchronous Line Backup DDR Configuration Example](#)

Asynchronous Interface Backup DDR Configuration Example

The following is an example of one asynchronous interface configuration on a Cisco AS2511-RJ access server that is used in an asynchronous backup DDR scenario:

```
interface async 1
  description ASYNC LINE 5293731 TO HIGHWAY
  encapsulation ppp
  async default routing
  async mode dedicated
  dialer in-band
  dialer map ip 192.168.10.2 name Router2 broadcast
  dialer-group 1
  ppp authentication chap
```

Passive Header Compression and Default Address Example

The following configuration shows interface and line configuration. The interface is configured with access lists, passive header compression, and a default address. The line is configured for TACACS authentication.

```
interface async 1
  ip access-group 1 in
  ip access-group 1 out
  ip tcp header-compression passive
  async default ip address 172.31.176.201

line 1
  login tacacs
  location 457-5xxx
  exec-timeout 20 0
  password XXXXXXXX
  session-timeout 20
  stopbits 1
```

High-Density Dial-In Solution Using Autoselect and EXEC Control Example

The following example configures a Cisco AS5800 access server, which is used as a high-density dial-in solution:

```
line 1/2/00 1/9/71
  session-timeout 30
  exec-timeout 30 0
  absolute-timeout 240
  autoselect during-login
  autoselect ppp
  modem InOut
  transport preferred none
  transport input all
```

Asynchronous Line Backup DDR Configuration Example

The following example configures one asynchronous line on a Cisco AS2511-RJ access server that is used in an asynchronous backup DDR scenario:

```
line 1
  modem InOut
```

```
speed 115200
transport input all
flowcontrol hardware
```

Line AUX Configuration Example

In the following example, the asynchronous interface corresponds to the AUX port. Use the **show line** command to determine which asynchronous interface corresponds to the AUX port. The IP address on the AUX ports of both routers are in the same subnet

```
interface Async1
 ip address 192.168.10.1 255.255.255.0
 encapsulation ppp
 async dynamic routing
 async mode dedicated
 !
no ip classless
ip route 0.0.0.0 0.0.0.0 Async1 /Default route points to the Async1 (AUX port) interface.
!
!
logging buffered
!
line con 0
 exec-timeout 0 0
line aux 0
 modem InOut
 transport input all
 rxspeed 38400
 txspeed 38400
```

Rotary Group Examples

The following example establishes a rotary group consisting of virtual terminal lines 2 through 4 and defines a password on those lines. By using Telnet to connect to TCP port 3001, the user gets the next free line in the rotary group. The user need not remember the range of line numbers associated with the password.

```
line vty 2 4
 rotary 1
 password letmein
 login
```

The following example enables asynchronous rotary line queueing:

```
line 1 2
 rotary 1 queued
```

The following example enables asynchronous rotary line queueing using the round-robin algorithm:

```
line 1 2
 rotary 1 queued round-robin
```

Dedicated Asynchronous Interface Configuration Example

The following example shows how to assign an IP address to an asynchronous interface and place the line in dedicated network mode. Setting the stop bit to 1 is a performance enhancement.

```
line 20
  location Department PC Lab
  stopbits 1
  speed 19200
!
interface async 20
  async default ip address 172.18.7.51
  async mode dedicated
```

Access Restriction on the Asynchronous Interface Example

The following example shows how to allow most terminal users access to anything on the local network, but restrict access to certain servers designated as asynchronous servers:

```
! access list for normal connections
access-list 1 permit 192.168.0.0 0.0.255.255
!
access-list 2 permit 192.168.42.55
access-list 2 permit 192.168.111.1
access-list 2 permit 192.168.55.99
!
line 1
  speed 19200
  flow hardware
  modem inout
interface async 1
  async mode interactive
  async dynamic address
  ip access-group 1 out
  ip access-group 2 in
```

Group and Member Asynchronous Interface Examples

The following examples are included in this section:

- [Asynchronous Group Interface Examples](#)
- [Modem Asynchronous Group Example](#)
- [High-Density Dial-In Solution Using an Asynchronous Group](#)

Asynchronous Group Interface Examples

The following example shows how to create an asynchronous group interface 0 with group interface members 2 through 7, beginning in global configuration mode:

```
interface group-async 0
  group-range 2 7
```

The following example shows how you need to configure asynchronous interfaces 1, 2, and 3 separately if you do not have a group interface configured:


```

interface Async1
 ip unnumbered Ethernet0
 encapsulation ppp
 async default ip address 172.30.1.1
 async mode interactive
 async dynamic routing
!
interface Async2
 ip unnumbered Ethernet0
 encapsulation ppp
 async default ip address 172.30.1.2
 async mode interactive
 async dynamic routing
!
interface Async3
 ip unnumbered Ethernet0
!
 encapsulation ppp
 async default ip address 172.30.1.3
 async mode interactive
 async dynamic routing

```

The following example configures the same interfaces, but from a single group asynchronous interface:

```

interface Group-Async 0
 ip unnumbered Ethernet0
 encapsulation ppp
 async mode interactive
 async dynamic routing
 group-range 1 3
 member 1 async default ip address 172.30.1.1
 member 2 async default ip address 172.30.1.2
 member 3 async default ip address 172.30.1.3

```

Modem Asynchronous Group Example

To configure a group asynchronous interface, specify the group async number (an arbitrary number) and the group range (beginning and ending asynchronous interface number).

The following example shows the process of creating and configuring a group asynchronous interface for asynchronous interfaces 1 through 96 on a Cisco AS5300 access server, which is loaded with ninety-six 56K MICA technologies modems:

```

interface group-async 1
 ip unnumbered ethernet 0
 encapsulation ppp
 async mode interactive
 ppp authentication chap pap
 peer default ip address pool default
 group-range 1 96

```

High-Density Dial-In Solution Using an Asynchronous Group

The following example configures a Cisco AS5800 access server that is used as a high-density dial-in solution:

```

interface group-async 0
 ip unnumbered FastEthernet0/2/0
 encapsulation ppp

```

```

async mode interactive
peer default ip address pool default
no cdp enable
ppp authentication chap
hold-queue 10 in
group-range 1/2/00 1/9/71

```

Asynchronous Interface Address Pool Examples

The following sections provide examples of the use of Dynamic Host Configuration Protocol (DHCP) and local pooling mechanisms:

- [DHCP Pooling Example](#)
- [Local Pooling Example](#)
- [Configuring Specific IP Addresses for an Interface](#)

DHCP Pooling Example

The following global configuration example enables DHCP proxy-client status on all asynchronous interfaces on the access server:

```
ip address-pool dhcp-proxy-client
```

The following global configuration example shows how to specify which DHCP servers are used on your network. You can specify up to four servers using IP addresses or names. If you do not specify servers, the default is to use the IP limited broadcast address of 255.255.255.255 for transactions with any and all discovered DHCP servers.

```
ip dhcp-server jones smith wesson
```

The following interface configuration example illustrates how to disable DHCP proxy-client functionality on asynchronous interface 1:

```

async interface
interface 1
no peer default ip address

```

Local Pooling Example

The following example shows how to select the IP pooling mechanism and how to create a pool of local IP addresses that are used when a client dials in on an asynchronous line. The default address pool comprises IP addresses 172.30.0.1 through 172.30.0.28.

```

! This command tells the access server to use a local pool.
ip address-pool local
! This command defines the ip address pool.
! The address pool is named group1 and comprised of addresses.
! 172.30.0.1 through 172.30.0.28 inclusive
ip local-pool group1 172.30.0.1 172.30.0.28

```

Configuring Specific IP Addresses for an Interface

The following example shows how to configure the access server so that it will use the default address pool on all interfaces except interface 7, on which it will use an address pool called lass:

```
ip address-pool local
ip local-pool lass 172.30.0.1
  async interface
  interface 7
peer default ip address lass
```

IP and SLIP Using an Asynchronous Interface Example

The following example configures IP and SLIP on asynchronous interface 6. The IP address for the interface is assigned to Ethernet 0, interactive mode has been enabled, and the IP address of the client PC running SLIP has been specified.

IP and the appropriate IP routing protocols have already been enabled on the access server or router.

```
interface async 6
  ip unnumbered ethernet 0
  encapsulation slip
  async mode interactive
  async default ip address 172.18.1.128
```

IP and PPP Asynchronous Interface Configuration Example

The following example configures IP and PPP on asynchronous interface 6. The IP address for the interface is assigned to Ethernet 0, interactive mode has been enabled, and the IP address of the client PC running PPP has been specified. IP and the appropriate IP routing protocols have already been enabled on the access server or router.

```
interface async 6
  ip unnumbered ethernet 0
  encapsulation ppp
  async mode interactive
  peer default ip address 172.18.1.128
```

Asynchronous Routing and Dynamic Addressing Configuration Example

The following example shows a simple configuration that allows routing and dynamic addressing.

With this configuration, if the user specifies **/routing** in the EXEC **slip** or **ppp** command, routing protocols will be sent and received.

```
interface async 6
  async dynamic routing
  async dynamic address
```

TCP Header Compression Configuration Example

The following example configures asynchronous interface 7 with a default IP address, allowing header compression if it is specified in the **slip** or **ppp** connection command entered by the user or if the connecting system sends compressed packets.

```
interface async 7
 ip address 172.31.79.1
 async default ip address 172.31.79.2
 ip tcp header-compression passive
```

Network Address Conservation Using the ip unnumbered Command Example

The following example shows how to configure your router for routing using unnumbered interfaces. The source (local) address is shared between the Ethernet 0 and asynchronous 6 interfaces (172.18.1.1). The default remote address is 172.18.1.2.

```
interface ethernet 0
 ip address 172.18.1.1 255.255.255.0
!
interface async 6
 ip unnumbered ethernet 0
 async dynamic routing
! Default address is on the local subnet.
 async dynamic address
 async default ip address 172.18.1.2
 ip tcp header-compression passive
```

The following example shows how the IP unnumbered configuration works. Although the user is assigned an address, the system response shows the interface as unnumbered, and the address entered by the user will be used only in response to BOOTP requests.

```
Router> slip /compressed 10.11.11.254
Password:
Entering async mode.
Interface IP address is unnumbered, MTU is 1500 bytes.
Header compression is On.
```

Asynchronous Interface As the Only Network Interface Example

The following example shows how one of the asynchronous lines can be used as the only network interface. The router is used primarily as a terminal server, but is at a remote location and dials in to the central site for its only network connection.

```
ip default-gateway 10.11.12.2
interface ethernet 0
 shutdown
interface async 1
 async dynamic routing
 ip tcp header-compression on
 async default ip address 10.11.16.12
 async mode dedicated
 ip address 10.11.12.32 255.255.255.0
```

Routing on a Dedicated Dial-In Router Example

The following example shows how a router is set up as a dedicated dial-in router. Interfaces are configured as IP unnumbered to conserve network resources, primarily IP addresses.

```
ip routing
interface ethernet 0
  ip address 10.129.128.2 255.255.255.0
!
interface async 1
  ip unnumbered ethernet 0
  async dynamic routing
! The addresses assigned with SLIP or PPP EXEC commands are not used except
! to reply to BOOTP requests.
! Normally, the routers dialing in will have their own address and not use BOOTP at all.
  async default ip address 10.11.11.254
!
interface async 2
  ip unnumbered ethernet 0
  async default ip address 10.11.12.16
  ip tcp header-compression passive
  async mode dedicated
!
! Run RIP on the asynchronous lines because few implementations of SLIP
! understand IGRP. Run IGRP on the Ethernet (and in the local network).
!
router igrp 110
  network 10.11.12.0
! Send routes from the asynchronous lines on the production network.
  redistribute RIP
! Do not send IGRP updates on the asynchronous interfaces.
  passive-interface async 1
!
  router RIP
  network 10.11.12.0
  redistribute igrp
  passive-interface ethernet 0
! Consider filtering everything except a default route from the routing
! updates sent on the (slow) asynchronous lines.
  distribute-list 1 out
  ip unnumbered async 2
  async dynamic routing
```

IGRP Configuration Example

In the following example, only the Interior Gateway Routing Protocol (IGRP) TCP/IP routing protocol is running; it is assumed that the systems that are dialing in to use routing will either support IGRP or have some other method (for example, a static default route) of determining that the router is the best place to send most of its packets.

```
router igrp 111
  network 10.11.12.0
interface ethernet 0
  ip address 10.11.12.92 255.255.255.0
!
interface async 1
  async default ip address 10.11.12.96
  async dynamic routing
  ip tcp header-compression passive
```

```
ip unnumbered ethernet 0
```

```
line 1  
modem ri-is-cd
```

Cisco and the Cisco Logo are trademarks of Cisco Systems, Inc. and/or its affiliates in the U.S. and other countries. A listing of Cisco's trademarks can be found at www.cisco.com/go/trademarks. Third party trademarks mentioned are the property of their respective owners. The use of the word partner does not imply a partnership relationship between Cisco and any other company. (1005R)

Any Internet Protocol (IP) addresses used in this document are not intended to be actual addresses. Any examples, command display output, and figures included in the document are shown for illustrative purposes only. Any use of actual IP addresses in illustrative content is unintentional and coincidental.

© 2001-2009 Cisco Systems, Inc. All rights reserved.



Asynchronous Call Queueing by Role

First Published: June 06, 2004

Last Updated: June 30, 2009

The Asynchronous Call Queueing by Role feature allows priority users making Telnet connection requests to busy asynchronous rotary groups to be placed at the head of the queue when asynchronous rotary line queueing is enabled. When a priority user makes a Telnet connection request, that user goes to the head of the queue, and a second requester will be placed behind the first. This feature allows a priority user to access the first available line.

The Asynchronous Call Queueing by role feature allows priority users to bypass the queue and access the first available line to complete necessary administrative tasks more quickly.



Note

Priority users must have the privilege level of administrator (PRIV_ROOT) to take advantage of the Asynchronous Call Queueing by Role feature.

Finding Feature Information

For the latest feature information and caveats, see the release notes for your platform and software release. To find information about the features documented in this module, and to see a list of the releases in which each feature is supported, see the [“Feature Information for Asynchronous Call Queueing by Role” section on page 132](#).

Use Cisco Feature Navigator to find information about platform support and Cisco IOS and Catalyst OS software image support. To access Cisco Feature Navigator, go to <http://www.cisco.com/go/cfn>. An account on Cisco.com is not required.

Contents

- [Prerequisites for Asynchronous Call Queueing by Role, page 126](#)
- [Restrictions for Asynchronous Call Queueing by Role, page 126](#)
- [Information About Asynchronous Call Queueing by Role, page 126](#)



Americas Headquarters:

Cisco Systems, Inc., 170 West Tasman Drive, San Jose, CA 95134-1706 USA

- [How to Configure Asynchronous Call Queueing by Role, page 127](#)
- [Configuration Examples for Asynchronous Call Queueing by Role, page 129](#)
- [Additional References, page 130](#)
- [Glossary, page 133](#)

Prerequisites for Asynchronous Call Queueing by Role

The router must have operational and successfully configured asynchronous interfaces, and asynchronous rotary groups must be enabled.

Restrictions for Asynchronous Call Queueing by Role

To configure the Asynchronous Call Queueing by Role feature, you must also configure asynchronous rotary line queueing. Make sure you comply with the following requirements when configuring asynchronous rotary line queueing:

- You must configure more virtual terminal lines than will ever be used by waiting asynchronous rotary connection attempts. Even when the queue is at its maximum, there must be at least one virtual terminal line available so that system operators or network administrators can use Telnet to access the router to show, debug, or configure system performance.
- When adding lines to a rotary group, all lines must be either queued or not queued. A mixture of queued and nonqueued lines in the same rotary group is not supported and can result in unexpected behavior.
- All lines within a queued rotary group need to use the same authentication method. Using different authentication methods within the same rotary group can result in unexpected behavior.

Additional information about configuring asynchronous lines and rotary groups can be found in the [Configuring Asynchronous Lines and Interfaces](#).

Information About Asynchronous Call Queueing by Role

To configure asynchronous rotary linequeueing and the Asynchronous Call Queueing by Role feature, you must understand the following concepts:

- [Authentication of Connections, page 126](#)

Authentication of Connections

Connections are authenticated using the method specified for the line configurations for the asynchronous rotary group. If a connection is queued, authentication is done prior to queueing, and no authentication is done when the connection is later established.

How to Configure Asynchronous Call Queuing by Role

This section contains the following procedures:

- [Configuring Asynchronous Call Queuing by Role, page 127](#) (required)
- [Monitoring and Maintaining Asynchronous Rotary Line Queues, page 128](#) (optional)

Configuring Asynchronous Call Queuing by Role

This task configures asynchronous rotary line queuing and the Asynchronous Call queuing by Role feature.

SUMMARY STEPS

1. **enable**
2. **configure terminal**
3. **line [aux | console | tty | vty] line-number [ending-line-number]**
4. **rotary group [queued [by-role]]**

DETAILED STEPS

	Command or Action	Purpose
Step 1	enable Example: Router> enable	Enables privileged EXEC mode. <ul style="list-style-type: none"> • Enter your password if prompted.
Step 2	configure terminal Example: Router# configure terminal	Enters global configuration mode.
Step 3	line [aux console tty vty] line-number [ending-line-number] Example: Router(config)# line 1 2	Identifies a specific line or group of lines for configuration and enters line configuration mode.
Step 4	rotary group [queued [by-role]] Example: Router(config-line)# rotary 1 queued by-role	Enables asynchronous rotary line queuing on the designated line or group of lines. <ul style="list-style-type: none"> • The optional by-role keyword enables asynchronous call queuing by role.

Troubleshooting Tips

In the event that asynchronous rotary line queuing is not operating correctly, use the following **debug** commands in privileged EXEC mode to determine the source of the problem:

- **debug async async-queue**
- **debug ip tcp transactions**

- **debug modem**

Refer to the [Cisco IOS Debug Command Reference](#) publication for information about the **debug modem**, **debug ip tcp transactions**, and the **debug async async-queue** commands.

Monitoring and Maintaining Asynchronous Rotary Line Queues

This task displays queued lines and removes lines from the queue:

SUMMARY STEPS

1. **enable**
2. **configure terminal**
3. **show line async-queue rotary-group**
4. **clear line async-queue rotary-group**

DETAILED STEPS

	Command or Action	Purpose
Step 1	enable Example: Router> enable	Enables privileged EXEC mode. <ul style="list-style-type: none"> • Enter your password if prompted.
Step 2	configure terminal Example: Router# configure terminal	Enters global configuration mode.
Step 3	show line async-queue rotary-group Example: Router# show line async-queue 1	Displays which lines are queued.
Step 4	clear line async-queue rotary-group Example: Router# clear line async-queue 1	Clears all rotary queues or the specified rotary queue. <ul style="list-style-type: none"> • If the <i>rotary-group</i> argument is not specified, all rotary queues are removed.

Configuration Examples for Asynchronous Call Queueing by Role

This section provides the following configuration examples:

- [Configuring Asynchronous Call Queueing by Role: Example, page 129](#)
- [Verifying Asynchronous Call Queueing by Role: Example, page 129](#)

Configuring Asynchronous Call Queueing by Role: Example

The following example enables asynchronous rotary line queueing and by-role queueing on lines 1 and 2 on rotary group 1:

```
line 1 2
  rotary 1 queued by-role
```

Verifying Asynchronous Call Queueing by Role: Example

The following example shows the output of the **show line async-queue** command when by-role queueing is enabled on lines tty35 and tty38:

```
Router# show line async-queue

Showing async-queue for ALL rotary groups

Queue for Rotary Group 1:
Pos Waiting TTY Dest Port Source Host Waiting Time
1 tty66 3001 10.2.72.13 00:01:32
2 tty67 3001 10.2.72.13 00:01:23

Lines which have Queueing enabled [tty (group)]:
tty33 (2) tty34 (2)

Lines which have Queueing by role enabled [tty (group)]:
tty35 (1) tty38 (1)
```

Additional References

The following sections provide additional references related to the Asynchronous Call Queueing by Role feature.

Related Documents

Related Topic	Document Title
Configuring asynchronous lines and rotary groups	Configuring Asynchronous Lines and Interfaces feature guide
DIAL commands: complete command syntax, command mode, command history, defaults, usage guidelines, and examples	Cisco IOS Dial Technologies Command Reference
Cisco IOS commands	Cisco IOS Master Command List, All Releases
debug commands	Cisco IOS Debug Command Reference

Standards

Standards	Title
None	—

MIBs

MIBs	MIBs Link
None	To locate and download MIBs for selected platforms, Cisco IOS releases, and feature sets, use Cisco MIB Locator found at the following URL: http://www.cisco.com/go/mibs

RFCs

RFCs	Title
None	—

Technical Assistance

Description	Link
<p>The Cisco Support website provides extensive online resources, including documentation and tools for troubleshooting and resolving technical issues with Cisco products and technologies.</p> <p>To receive security and technical information about your products, you can subscribe to various services, such as the Product Alert Tool (accessed from Field Notices), the Cisco Technical Services Newsletter, and Really Simple Syndication (RSS) Feeds.</p> <p>Access to most tools on the Cisco Support website requires a Cisco.com user ID and password.</p>	<p>http://www.cisco.com/public/support/tac/home.shtml</p>

Feature Information for Asynchronous Call Queueing by Role

Table 1 lists the features in this module and provides links to specific configuration information.

Not all commands may be available in your Cisco IOS software release. For release information about a specific command, see the command reference documentation.

Use Cisco Feature Navigator to find information about platform support and software image support. Cisco Feature Navigator enables you to determine which Cisco IOS and Catalyst OS software images support a specific software release, feature set, or platform. To access Cisco Feature Navigator, go to <http://www.cisco.com/go/cfn>. An account on Cisco.com is not required.


Note

Table 1 lists only the Cisco IOS software release that introduced support for a given feature in a given Cisco IOS software release train. Unless noted otherwise, subsequent releases of that Cisco IOS software release train also support that feature.

Table 1 Feature Information for Asynchronous Call Queueing by Role

Feature Name	Releases	Feature Information
Asynchronous Call Queueing by Role	12.1(1)T 12.2(15)T 12.2(28)T 12.1(3)T	This feature allows Telnet connection requests to busy asynchronous rotary groups to be queued so that users automatically obtain the next available line, rather than needing to try repeatedly to open a Telnet connection. The Cisco IOS software sends a periodic message to the user to update progress in the connection queue.

Glossary

asynchronous transmission—Term describing digital signals that are sent without precise clocking. Such signals generally have different frequencies and phase relationships. Asynchronous transmissions usually encapsulate individual characters in control bits (called start and stop bits) that designate the beginning and end of each character.

rotary groups—Several contiguous lines that allow a connection to be made to the next free line in the group. Also called a hunt group.

TCP—Transmission Control Protocol. Connection-oriented transport layer protocol that provides reliable full-duplex data transmission. TCP is part of the TCP/IP protocol stack.

Telnet—Standard terminal emulation protocol in the TCP/IP protocol stack. Telnet is used for remote terminal connection, enabling users to log in to remote systems and use resources as if they were connected to a local system. Telnet is defined in RFC 854.

Transmission Connection Protocol—See TCP.

TTY—terminal line.

VTY—virtual terminal line.

Cisco and the Cisco Logo are trademarks of Cisco Systems, Inc. and/or its affiliates in the U.S. and other countries. A listing of Cisco's trademarks can be found at www.cisco.com/go/trademarks. Third party trademarks mentioned are the property of their respective owners. The use of the word partner does not imply a partnership relationship between Cisco and any other company. (1005R)

Any Internet Protocol (IP) addresses and phone numbers used in this document are not intended to be actual addresses and phone numbers. Any examples, command display output, network topology diagrams, and other figures included in the document are shown for illustrative purposes only. Any use of actual IP addresses or phone numbers in illustrative content is unintentional and coincidental.

© 2004–2009 Cisco Systems, Inc. All rights reserved.



Asynchronous Line Monitoring

Feature History

Release	Modification
12.2(4)T	This feature was introduced.
12.2(11)T	This feature was integrated into Cisco IOS Release 12.2(11)T and support was added for the Cisco AS5300, Cisco AS5400 and Cisco AS5800 platforms.

This document describes the Asynchronous Line Monitoring feature in Cisco IOS Release 12.2(11)T. It includes the following sections:

- [Feature Overview, page 135](#)
- [Supported Platforms, page 136](#)
- [Supported Standards, MIBs, and RFCs, page 137](#)
- [Prerequisites, page 138](#)
- [Configuration Tasks, page 138](#)
- [Monitoring and Maintaining Character Mode Asynchronous Traffic, page 138](#)
- [Configuration Examples, page 139](#)

Feature Overview

Before introduction of the Asynchronous Line Monitoring feature, Cisco IOS software did not provide a method for displaying asynchronous character mode traffic flowing out of an asynchronous line. Therefore, when a user tried to troubleshoot difficult asynchronous traffic problems, the user needed to use EIA/TIA-232 datascope in order to examine the data stream. This method is very detailed and cumbersome. The Asynchronous Line Monitoring feature allows the monitoring of inbound and outbound asynchronous character mode traffic on another terminal line.



Benefits

This feature increases the efficiency of troubleshooting asynchronous character mode traffic problems.

Restrictions

The Asynchronous Line Monitoring feature can be used only to monitor character mode asynchronous traffic in Cisco IOS Release 12.2(11)T. This feature does not allow the user to monitor asynchronous packet traffic. The user cannot monitor traffic on console or virtual terminal ports. Furthermore, the user cannot monitor traffic on his or her own port.

Related Documents

- *Cisco IOS Dial Technologies Configuration Guide*
- *Cisco IOS Dial Technologies Command Reference*

Supported Platforms

- Cisco 2500 series
- Cisco 2600 series
- Cisco 3620 router
- Cisco 3640 router
- Cisco 3660 router
- Cisco 3725 router
- Cisco 3745 router
- Cisco 7200 series
- Cisco AS5300
- Cisco AS5400
- Cisco AS5800
- Cisco IGX 8400 URM

Determining Platform Support Through Cisco Feature Navigator

Cisco IOS software is packaged in feature sets that are supported on specific platforms. To get updated information regarding platform support for this feature, access Cisco Feature Navigator. Cisco Feature Navigator dynamically updates the list of supported platforms as new platform support is added for the feature.

Cisco Feature Navigator is a web-based tool that enables you to quickly determine which Cisco IOS software images support a specific set of features and which features are supported in a specific Cisco IOS image. You can search by feature or release. Under the release section, you can compare releases side by side to display both the features unique to each software release and the features in common.

To access Cisco Feature Navigator, you must have an account on Cisco.com. If you have forgotten or lost your account information, send a blank e-mail to cco-locksmith@cisco.com. An automatic check will verify that your e-mail address is registered with Cisco.com. If the check is successful, account details with a new random password will be e-mailed to you. Qualified users can establish an account on Cisco.com by following the directions found at this URL:

<https://tools.cisco.com/RPF/register/register.do>

Cisco Feature Navigator is updated regularly when major Cisco IOS software releases and technology releases occur. For the most current information, go to the Cisco Feature Navigator home page at the following URL:

<http://www.cisco.com/go/fn>

Availability of Cisco IOS Software Images

Platform support for particular Cisco IOS software releases is dependent on the availability of the software images for those platforms. Software images for some platforms may be deferred, delayed, or changed without prior notice. For updated information about platform support and availability of software images for each Cisco IOS software release, refer to the online release notes or, if supported, Cisco Feature Navigator.

Supported Standards, MIBs, and RFCs

Standards

None

MIBs

None

To locate and download MIBs for selected platforms, Cisco IOS releases, and feature sets, use Cisco MIB Locator found at the following URL:

<http://tools.cisco.com/ITDIT/MIBS/servlet/index>

If Cisco MIB Locator does not support the MIB information that you need, you can also obtain a list of supported MIBs and download MIBs from the Cisco MIBs page at the following URL:

<http://www.cisco.com/public/sw-center/netmgmt/cmtk/mibs.shtml>

To access Cisco MIB Locator, you must have an account on Cisco.com. If you have forgotten or lost your account information, send a blank e-mail to cco-locksmith@cisco.com. An automatic check will verify that your e-mail address is registered with Cisco.com. If the check is successful, account details with a new random password will be e-mailed to you. Qualified users can establish an account on Cisco.com by following the directions found at this URL:

<https://tools.cisco.com/RPF/register/register.do>

RFCs

None

Prerequisites

In order for the Asynchronous Line Monitoring feature to function, an EXEC process (which interprets the user commands) must be running on the asynchronous port that is being monitored for inbound or outbound asynchronous traffic. This feature will not work if, instead of an EXEC process, a TTY DAEMON process (which handles an incoming network connection) is running on the asynchronous port that is being monitored.

Configuration Tasks

See the following section for required configuration tasks for the Asynchronous Line Monitoring feature:

- [Ensuring That an EXEC Process Is Running on the Asynchronous Port to Be Monitored](#) (required)

Ensuring That an EXEC Process Is Running on the Asynchronous Port to Be Monitored

To ensure that an EXEC process is running on the asynchronous port to be monitored, use the following command in user EXEC mode:

Command	Purpose
Router> <code>show processes [cpu]</code>	Displays information about the active processes.

Monitoring and Maintaining Character Mode Asynchronous Traffic

To monitor inbound or outbound asynchronous character mode traffic on the port to be monitored, use the following command in privileged EXEC mode:

Command	Purpose
Router# <code>monitor traffic line [aux tty] line-number [in out]</code>	Monitors inbound and outbound asynchronous character mode traffic on another terminal line. <ul style="list-style-type: none"> • aux—(Optional) Specifies the auxiliary EIA/TIA-232 DTE port. • tty—(Optional) Specifies the standard asynchronous line. • <i>line-number</i>—Specifies the absolute or relative number of the line to be monitored. • in—(Optional) Specifies inbound traffic. • out—(Optional) Specifies outbound traffic.

Before entering the **monitor traffic line** command, ensure that an EXEC process is running on the asynchronous port that will be monitored. To check that an EXEC process is running on the line, enter the **show processes** command. To monitor the asynchronous character mode traffic in the inbound direction on tty line 1, enter the **monitor traffic line** command in privileged EXEC mode:

```
Router# monitor traffic line tty 1 in

Monitoring inbound traffic on line 1. Type ^x to end.
```

To stop monitoring the traffic, enter the escape sequence (Ctrl-Shift-6, then x [Ctrl^x] by default). The router will return to the privileged EXEC prompt.

Verifying Traffic Line Monitoring

When you enter the **monitor traffic line** command, the characters traversing the asynchronous port are displayed on your screen, as shown in the following output:

```
Router# monitor traffic line tty 1 in

Monitoring inbound traffic on line 1. Type ^x to end.
dfldkfilkkjif
```

Troubleshooting Tips

If no character output appears after you have entered the **monitor traffic line** command, one of the following scenarios is occurring:

- No characters are traversing the asynchronous port.
- An EXEC process is not active on the asynchronous port that is being monitored.
- The platform does not support the **monitor traffic line** command, which is available with Cisco IOS Release 12.2(4)T and later releases.

Configuration Examples

The following example allows the user to monitor asynchronous character mode traffic in the inbound direction:

```
Router# monitor traffic line tty 1 in

Monitoring inbound traffic on line 1. Type ^x to end.
fgkhgighghljkj
```

To stop monitoring traffic, you must enter the escape sequence (Ctrl-Shift-6, then x [Ctrl^x] by default). The router will be returned to the privileged EXEC prompt.

The following example allows the user to monitor asynchronous character mode traffic in the outbound direction. When you do not specify inbound or outbound traffic by entering the keywords **in** or **out**, the default will be outbound traffic:

```
Router# monitor traffic line tty 10

Monitoring outbound traffic on line 10. Type ^x to end.
fgkkgllghhlljki
```

Figure 1 shows a common scenario for asynchronous character mode traffic that involves a remote user on Workstation 1 dialing in to an asynchronous port on Router A (a Cisco router or access server). The user commands are interpreted by an EXEC process (such as EXEC process 1). To monitor the inbound or outbound asynchronous traffic on this port, you must log in to Router A via another terminal line—for example, a vty when logging from Workstation 2—and enter the **monitor traffic line** command. This command is interpreted by a second EXEC process (such as EXEC process 2).

Figure 1 *Dialing In to a Router over a Public Switched Telephone Network Connection*

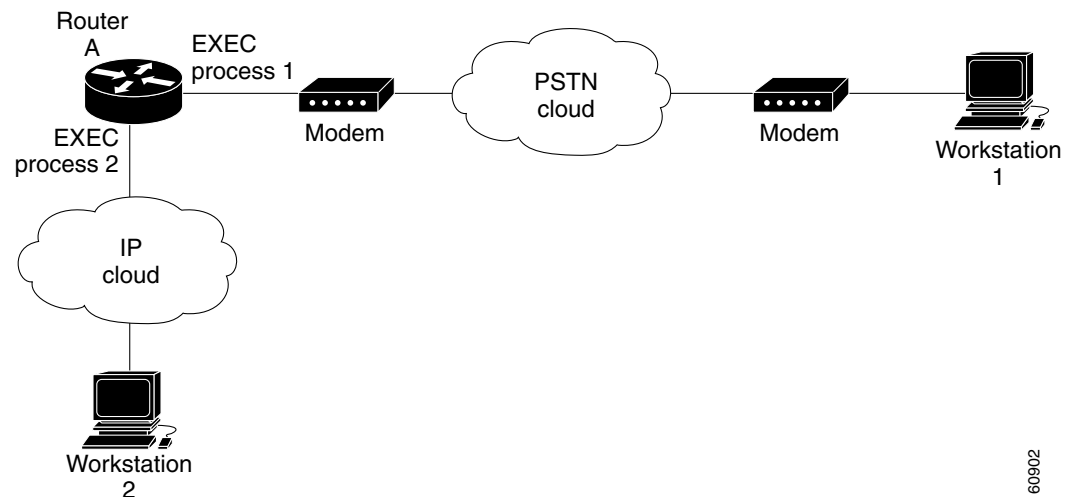
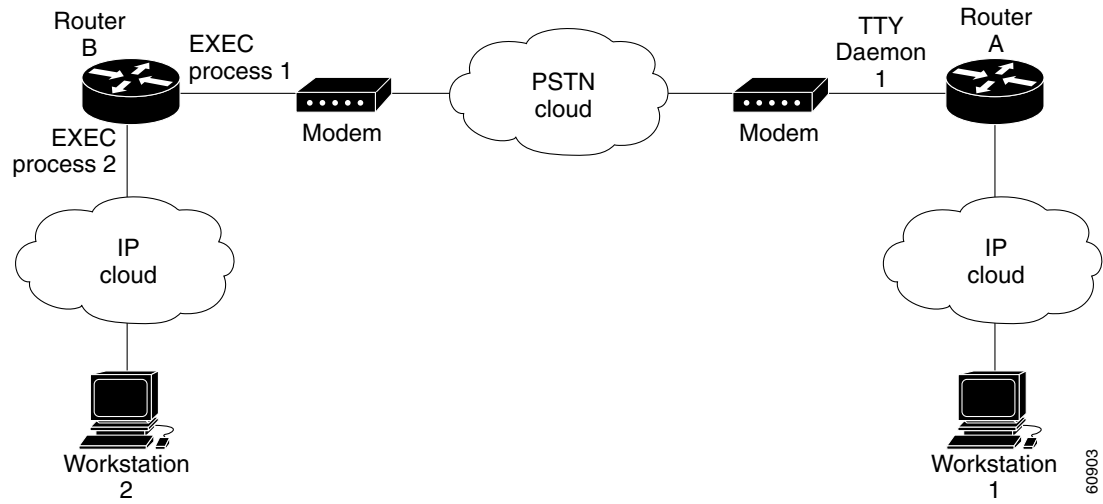


Figure 2 shows another scenario for asynchronous character mode traffic in which a remote user on Workstation 1 uses reverse Telnets to access an asynchronous port of Router A, causing a TTY DAEMON process (such as TTY DAEMON 1) to run on the asynchronous port of Router A. The user then dials in to an asynchronous port on Router B. The user commands are interpreted by an EXEC process (such as EXEC process 1) on Router B. To monitor the inbound or outbound asynchronous traffic on this port on Router A, you must log in to Router A through another terminal line—for example, another terminal line when logging from Workstation 2—and enter the **monitor traffic line** command. The command is interpreted by a second EXEC process (such as EXEC process 2).

Figure 2 Reverse Telnet to a Router Followed by Dial over a PSTN Connection



The **monitor traffic line** command cannot be used to monitor the asynchronous traffic on the asynchronous port of router A in Figure 2 that is running the TTY DAEMON process, TTY DAEMON 1.

When the **monitor traffic line** command is running and the asynchronous characters are being displayed to the user on the second terminal line (Workstation 2), the Asynchronous Line Monitoring feature allows this user to enter more commands on the second terminal line. The output of the additional commands will be displayed not only to the user on Workstation 2, but also to the user on Workstation 1 on the terminal line that is being monitored. To prevent this display of command output on Workstation 1, the user on Workstation 2 must be careful not to enter more commands while the **monitor traffic line** command is still running.

Cisco and the Cisco Logo are trademarks of Cisco Systems, Inc. and/or its affiliates in the U.S. and other countries. A listing of Cisco's trademarks can be found at www.cisco.com/go/trademarks. Third party trademarks mentioned are the property of their respective owners. The use of the word partner does not imply a partnership relationship between Cisco and any other company. (1005R)

Any Internet Protocol (IP) addresses and phone numbers used in this document are not intended to be actual addresses and phone numbers. Any examples, command display output, network topology diagrams, and other figures included in the document are shown for illustrative purposes only. Any use of actual IP addresses or phone numbers in illustrative content is unintentional and coincidental.

© 2001-2009 Cisco Systems, Inc. All rights reserved.



Configuring Asynchronous Serial Traffic over UDP

This chapter describes how to communicate with a modem using the Asynchronous Serial Traffic over UDP feature in the following main sections:

- [UDPTN Overview](#)
- [Asynchronous Serial Traffic over UDP Configuration Task List](#)

See the “[UDPTN Configuration Examples](#)” section for configuration examples.

To identify the hardware platform or software image information associated with a feature, use the Feature Navigator on Cisco.com to search for information about the feature or refer to the software release notes for a specific release. For more information, see the “Identifying Supported Platforms” section in the “Using Cisco IOS Software” chapter.

For a complete description of the UDP commands mentioned in this chapter, refer to the *Cisco IOS Dial Technologies Command Reference*, Release 12.2. To locate documentation of other commands that appear in this chapter, use the command reference master index or search online.

UDPTN Overview

The Asynchronous Serial Traffic over UDP feature provides the ability to encapsulate asynchronous data into User Datagram Protocol (UDP) packets and then unreliably send this data without needing to establish a connection with a receiving device. This process is referred to as UDP Telnet (UDPTN), although it does not—and cannot—use the Telnet protocol. UDPTN is similar to Telnet in that both are used to send data, but UDPTN is unique in that it does not require that a connection be established with a receiving device. You load the data that you want to send through an asynchronous port, and then send it, optionally, as a multicast or a broadcast. The receiving device(s) can then receive the data whenever it wants. If the receiver ends reception, the transmission is unaffected.

The Asynchronous Serial Traffic over UDP feature provides a low-bandwidth, low-maintenance method to unreliably deliver data. This delivery is similar to a radio broadcast: It does not require that you establish a connection to a destination; rather, it sends the data to whatever device wants to receive it. The receivers are free to begin or end their reception without interrupting the transmission.



It is a low-bandwidth solution for delivering streaming information for which lost packets are not critical. Such applications include stock quotes, news wires, console monitoring, and multiuser chat features.

This feature is particularly useful for broadcast, multicast, and unstable point-to-point connections. This feature may not work as expected when there are multiple users on the same port number in a nonmulticast environment. The same port must be used for both receiving and sending.

Asynchronous Serial Traffic over UDP Configuration Task List

To configure the Asynchronous Serial Traffic over UDP feature, perform the tasks described in the following sections:

- [Preparing to Configure Asynchronous Serial Traffic over UDP](#) (Required)
- [Configuring a Line for UDPTN](#) (Required)
- [Enabling UDPTN](#) (Required)
- [Verifying UDPTN Traffic](#) (Optional but Recommended)

See the “[UDPTN Configuration Examples](#)” section at the end of this chapter for multicast, broadcast, and point-to-point UDPTN configuration examples.

Preparing to Configure Asynchronous Serial Traffic over UDP

When configuring the Asynchronous Serial Traffic over UDP feature for multicast transmission, you must configure IP multicast routing for the entire network that will receive or propagate the multicasts. When configuring the feature for broadcast transmission, you must configure broadcast flooding on the routers between network segments. Refer to the “Configuring IP Multicast Routing” chapter of this guide for information on how to configure IP multicast routing. See the section “Configuring Broadcast Packet Handling” in the *Cisco IOS IP Configuration Guide* for information on how to configure broadcast flooding.

Configuring a Line for UDPTN

To configure the line that will be used to send or receive UDP packets, use the following commands beginning in global configuration mode:

	Command	Purpose
Step 1	Router(config)# line <i>line-number</i>	Enters line configuration mode for the line number specified.
Step 2	Router(config-line)# transport output udptn	Enables the line to transport UDP packets.
Step 3	Router(config-line)# dispatch-timeout 1000	Sends packets every 1000 milliseconds.
Step 4	Router(config-line)# dispatch-character 13	Sends packets after every new line.
Step 5	Router(config-line)# no session-timeout	Disables timeout connection closing.

Enabling UDPTN

There are two methods of enabling UDPTN. You can manually enable UDPTN when you want to begin transmission or reception, or you can configure the router to automatically enable UDPTN when a connection is made to the line.

To manually enable UDPTN and begin UDPTN transmission or reception, use the following command in EXEC mode:

Command	Purpose
Router# udptn <i>ip-address</i> [<i>port</i>] [/transmit] [/receive]	Enables UDPTN to the specified IP address (optionally, using the specified port). Use the /transmit or /receive keyword if the router will only be sending or receiving UDPTN.

To automatically enable UDPTN when a connection is made to the line, use the following commands beginning in global configuration mode:

	Command	Purpose
Step 1	Router(config)# line <i>line-number</i>	Enters line configuration mode for the line number specified.
Step 2	Router(config-line)# autocommand udptn <i>ip-address</i> [<i>port</i>] [/transmit] [/receive]	Enables UDPTN automatically when a connection is made to the line (optionally, using the specified port). Use the /transmit or /receive keyword if the router will only be sending or receiving UDPTN.

Verifying UDPTN Traffic

To verify that UDPTN is enabled correctly, perform the following steps:

-
- Step 1** Enable UDPTN debugging by using the **debug udptn** EXEC command.
- Step 2** Enable UDPTN by using the **udptn ip-address** EXEC command, and then observe the debug output. The following debug output shows a UDPTN session being successfully established and then disconnected.
- ```
Router# debug udptn
Router# udptn 172.16.1.1
Trying 172.16.1.1 ... Open

*Mar 1 00:10:15.191:udptn0:adding multicast group.
*Mar 1 00:10:15.195:udptn0:open to 172.16.1.1:57 Loopback0jjaassdd
*Mar 1 00:10:18.083:udptn0:output packet w 1 bytes
*Mar 1 00:10:18.087:udptn0:Input packet w 1 bytes
Router# disconnect
Closing connection to 172.16.1.1 [confirm] y
Router#
```
- Step 3** While the **udptn** command is enabled, enter the **show ip socket** command to verify that the socket being used for UDPTN opened correctly.
- ```
Router# show ip socket
```

Proto	Remote	Port	Local	Port	In	Out	Stat	TTY	OutputIF
17	--listen--		172.21.14.90	67	0	0	89		0
17	0.0.0.0	520	172.21.14.90	520	0	0	1		0
17	1.1.1.2	57	1.1.1.1	57	0	0	48		0
17	224.1.1.1	57	1.2.2.2	57	0	0	48		0 Loopback0

UDPTN Configuration Examples

This section provides the following UDPTN configuration examples:

- [Multicast UDPTN Example](#)
- [Broadcast UDPTN Example](#)
- [Point-to-Point UDPTN Example](#)

Multicast UDPTN Example

These configurations are for multicast UDPTN. The router that is multicasting does not require a multicast configuration—it simply sends to the multicast IP address.

Router That Is Multicasting

```
ip multicast-routing
interface ethernet 0
 ip address 10.1.1.1 255.255.255.0
 ip pim dense-mode
!
line 5
 no session-timeout
 transport output udptn
 dispatch-timeout 10000
 dispatch-character 13
 modem in
 autocommand udptn 172.1.1.1 /transmit
```

Receiving Routers

```
ip multicast-routing
interface ethernet 0
 ip address 10.99.98.97 255.255.255.192
 ip pim dense-mode
!
line 0 16
 transport output udptn telnet lat rlogin
 autocommand udptn 172.1.1.1 /receive
```

Broadcast UDPTN Example

These configurations are for broadcast UDPTN. This is the simplest method to send to multiple receivers. The broadcasting router sends to the broadcast IP address, and any router that wants to receive the transmission simply connects to the broadcast IP address by using the **udptn** command.

Router That Is Broadcasting

```
interface ethernet 0
  ip address 10.1.1.1 255.255.255.0
!
line 5
  no session-timeout
  transport output udptn
  dispatch-timeout 10000
  dispatch-character 13
  modem in
  autocommand udptn 255.255.255.255 /transmit
```

Receiving Routers

```
interface ethernet 0
  ip address 10.99.98.97 255.255.255.192
!
line 0 16
  transport output udptn telnet lat rlogin
  autocommand udptn 255.255.255.255 /receive
```

Point-to-Point UDPTN Example

These configurations are for two routers in mobile, unstable environments that wish to establish a bidirectional asynchronous tunnel. Because there is no way to ensure that both routers will be up and running when one of the routers wants to establish a tunnel, they cannot use connection-dependent protocols like Telnet or local area transport (LAT). They instead use the following UDPTN configurations. Each router is configured to send to and receive from the IP address of the other. Because both routers will be sending and receiving, they do not use the **/transmit** or **/receive** keywords with the **udptn** command.

Router A

```
interface ethernet 0
  ip address 10.54.46.1 255.255.255.192
!
line 5
  no session-timeout
  transport output udptn
  dispatch-timeout 10000
  dispatch-character 13
  modem in
  autocommand udptn 10.54.46.2
```

Router B

```
interface ethernet 0
 ip address 10.54.46.2 255.255.255.192
 !
 line 10
  no session-timeout
  transport output udptn
  dispatch-timeout 10000
  dispatch-character 13
  modem in
  autocommand udptn 10.54.46.1
```

Cisco and the Cisco Logo are trademarks of Cisco Systems, Inc. and/or its affiliates in the U.S. and other countries. A listing of Cisco's trademarks can be found at www.cisco.com/go/trademarks. Third party trademarks mentioned are the property of their respective owners. The use of the word partner does not imply a partnership relationship between Cisco and any other company. (1005R)

Any Internet Protocol (IP) addresses used in this document are not intended to be actual addresses. Any examples, command display output, and figures included in the document are shown for illustrative purposes only. Any use of actual IP addresses in illustrative content is unintentional and coincidental.

© 2001-2008 Cisco Systems, Inc. All rights reserved.



Modem Configuration and Management



Overview of Modem Interfaces

This chapter describes modem interfaces in the following sections:

- [Cisco Modems and Cisco IOS Modem Features](#)
- [Cisco IOS Modem Components](#)
- [Logical Constructs in Modem Configurations](#)

To identify the hardware platform or software image information associated with a feature, use the Feature Navigator on Cisco.com to search for information about the feature or refer to the software release notes for a specific release. For more information, see the “Identifying Supported Platforms” section in the “Using Cisco IOS Software” chapter.

For a complete description of the modem support commands in this chapter, refer to the *Cisco IOS Modem Command Reference*. To locate documentation of other commands that appear in this chapter, use the command reference master index or search online.

Cisco Modems and Cisco IOS Modem Features

Deciding which asynchronous features to use, to some degree, depends on your hardware configuration. All Cisco access servers must have their asynchronous interfaces and lines configured for network protocol support. Commands entered in asynchronous interface mode configure protocol-specific parameters for asynchronous interfaces, whereas commands entered in line configuration mode configure the physical and logical aspects for the same port.

Modems inside high-end access servers need a localized modem country code. This code is projected from the Cisco IOS software to the onboard modems using the **modem country {mica | microcom_hdms} country** command. The following are high-end access servers: Cisco AS5800, Cisco AccessPath, Cisco AS5300, and the Cisco AS5200.

Modems externally attached to low-end access servers need to receive initialization strings from the **modem autoconfigure discovery** command.

[Figure 1](#) shows a Cisco AS2511-RJ access server. [Figure 2](#) shows a Cisco AS5300 access server. Notice that modems are either inside or outside the chassis, depending on the product model.



Figure 1 Cisco AS2511-RJ Access Server

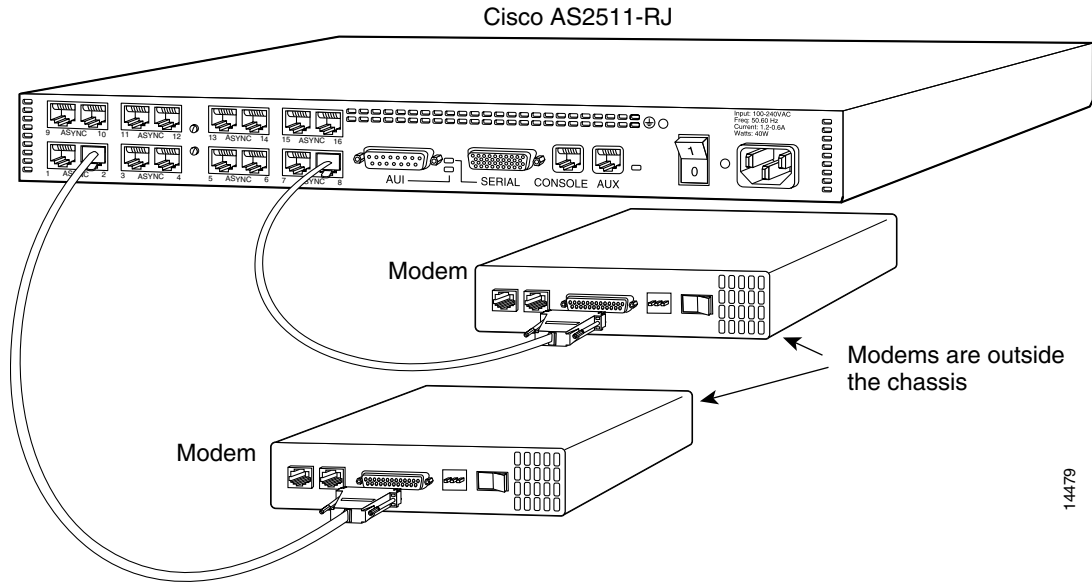
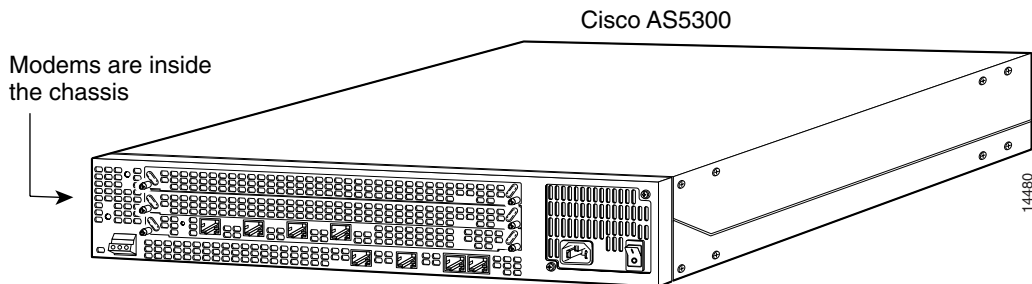


Figure 2 Cisco AS5300 Access Server

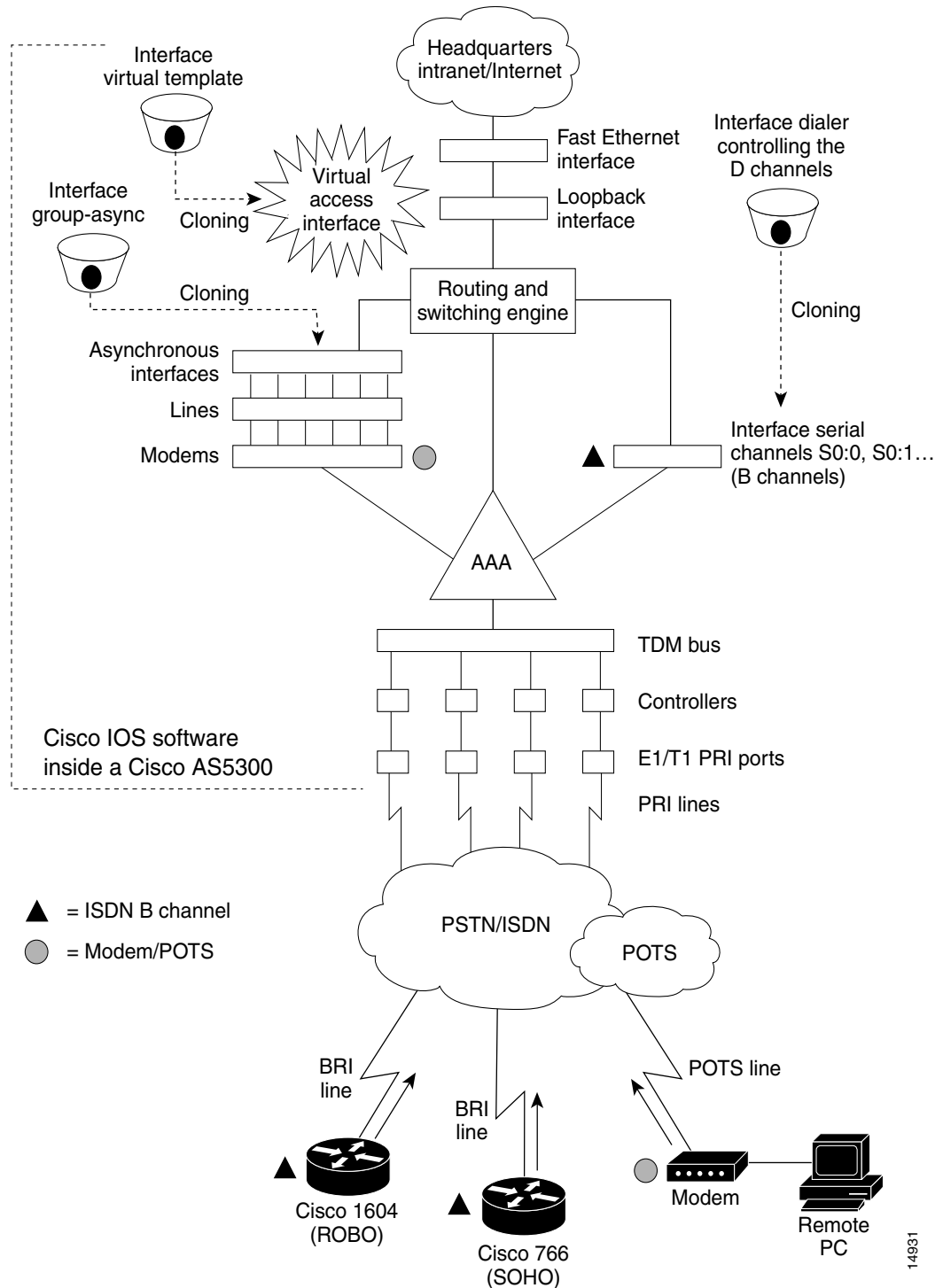


Cisco IOS Modem Components

Different components inside Cisco IOS software work together to enable remote clients to dial in and send packets. [Figure 3](#) shows one Cisco AS5300 access server that is receiving calls from a remote office, branch office (ROBO); small office, home office (SOHO); and modem client.

Depending on your network scenario, you may encounter all of the components in [Figure 3](#). For example, you might decide to create a virtual IP subnet by using a loopback interface. This step saves address space. Virtual subnets can exist inside devices that you advertise to your backbone. In turn, IP packets get relayed to remote PCs, which route back to the central site.

Figure 3 Cisco IOS Modem Concepts



14931

Logical Constructs in Modem Configurations

A logical construct stores core protocol characteristics to assign to physical interfaces. No data packets are forwarded to a logical construct. Cisco uses three types of logical constructs in its access servers and routers. These constructs are described in the following sections:

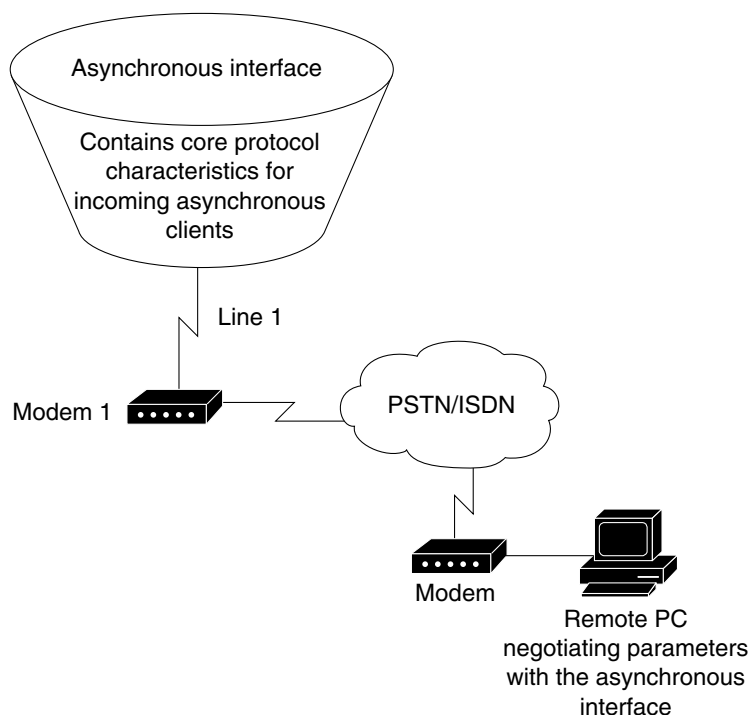
- [Asynchronous Interfaces](#)
- [Group Asynchronous Interfaces](#)
- [Modem Lines and Asynchronous Interfaces](#)

Asynchronous Interfaces

An asynchronous interface assigns network protocol characteristics to remote asynchronous clients that are dialing in through physical terminal lines and modems. (See [Figure 4](#).)

Use the **interface async** command to create and configure an asynchronous interface.

Figure 4 Logical Construct for an Asynchronous Interface



14054

To enable clients to dial in, you must configure two asynchronous components: asynchronous lines and asynchronous interfaces. Asynchronous interfaces correspond to physical terminal lines. For example, asynchronous interface 1 corresponds to tty line 1.

Commands entered in asynchronous interface mode configure protocol-specific parameters for asynchronous interfaces, whereas commands entered in line configuration mode configure the physical aspects for the same port.

Specifically, you configure asynchronous interfaces to support PPP connections. An asynchronous interface on an access server or router can be configured to support the following functions:

- Network protocol support such as IP, Internet Protocol Exchange (IPX), or AppleTalk
- Encapsulation support such as PPP
- IP client addressing options (default or dynamic)
- IPX network addressing options
- PPP authentication
- ISDN BRI and PRI configuration

Group Asynchronous Interfaces

A group asynchronous interface is a parent interface that stores core protocol characteristics and projects them to a specified range of asynchronous interfaces. Asynchronous interfaces clone protocol information from group asynchronous interfaces. No data packets arrive in a group asynchronous interface.

By setting up a group asynchronous interface, you also eliminate the need to repeatedly configure identical configuration information across several asynchronous interfaces. For example, on a Cisco AS5300 one group asynchronous interface is used instead of 96 individual asynchronous interfaces. (See [Figure 5](#).)

The following example shows a group asynchronous configuration for a Cisco AS5300 access server loaded with one 4-port ISDN PRI card and 96 MICA modems:

```
Router(config)# interface group-async 1
Router(config-if)# ip unnumbered loopback 0
Router(config-if)# encapsulation ppp
Router(config-if)# async mode interactive
Router(config-if)# peer default ip address pool dialin_pool
Router(config-if)# no cdp enable
Router(config-if)# ppp authentication chap pap dialin
Router(config-if)# group-range 1 96
```

To configure multiple asynchronous interfaces at the same time (with the same parameters), you can assign each asynchronous interface to a group and then configure the group. Configurations throughout this guide configure group asynchronous interfaces, rather than each interface separately.

If you want to configure different attributes on different asynchronous interfaces, do not assign them to the group or assign different interfaces to different groups. After assigning asynchronous interfaces to a group, you cannot configure these interfaces separately. For example, on a Cisco AS5300 access server in a T1 configuration, you could assign asynchronous interfaces 1 to 48 as part of one group (such as group-async1) and asynchronous interfaces 49 to 96 as part of another group (group-async2). You can also use the **member** command to perform a similar grouping function.

Modem Lines and Asynchronous Interfaces

Modems attach to asynchronous lines, which in turn attach to asynchronous interfaces. Depending on the type of access server you have, these components appear outside or inside the physical chassis. [Figure 5](#) shows the logical relationships among modems, asynchronous lines, asynchronous interfaces, and group asynchronous interfaces. All these components work together to deliver packets as follows:

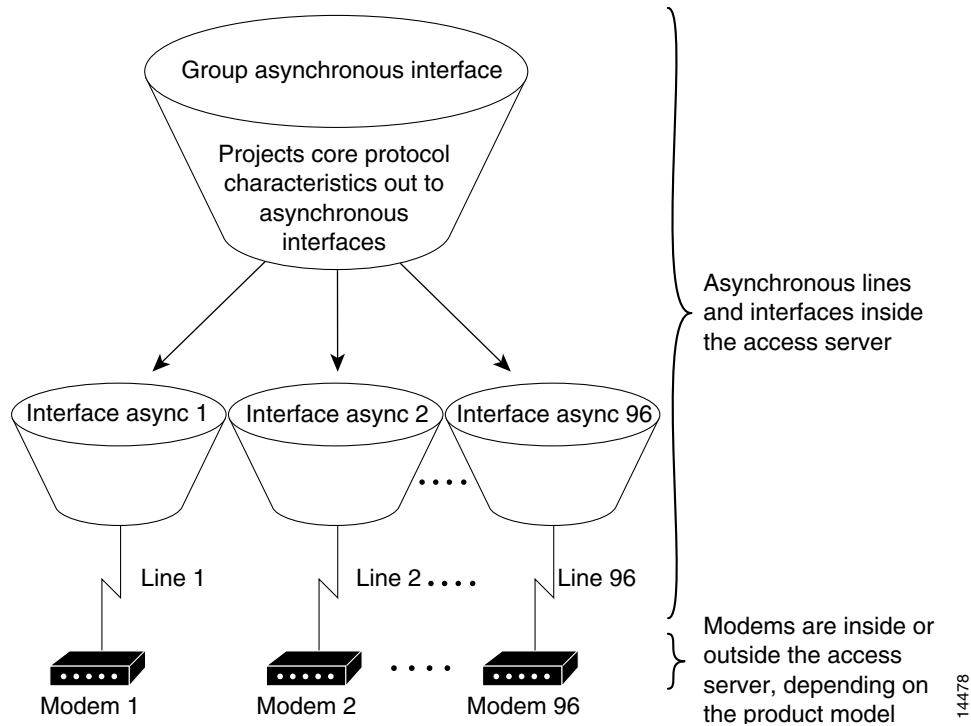
- Asynchronous calls come into the modems from the “plain old telephone service” (POTS) or Public Switched Telephone Network (PSTN).
- Modems pass packets up through asynchronous lines.

- Asynchronous interfaces clone their configuration information from group asynchronous interfaces.

**Note**

The number of interfaces and modems varies among access server product models.

Figure 5 *Modems, Lines, and Asynchronous Interfaces*



Use the **interface group-async** command to create and configure a group asynchronous interface. The following example shows a group asynchronous configuration for a Cisco AS5300 access server loaded with one 4-port ISDN PRI card and 96 MICA modems:

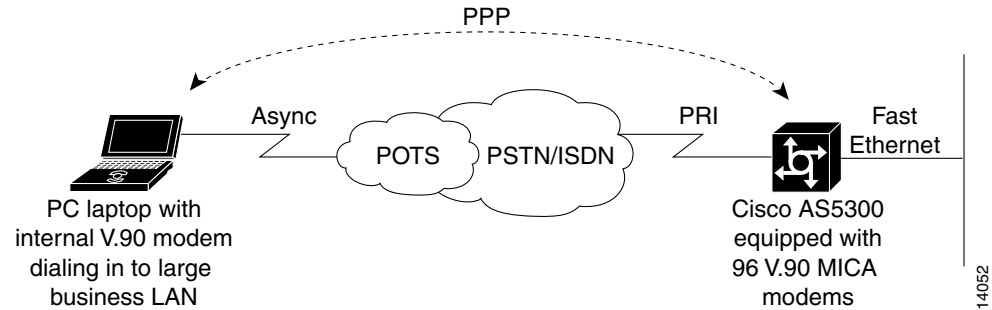
```
Router(config)# interface group-async 1
Router(config-if)# ip unnumbered loopback 0
Router(config-if)# encapsulation ppp
Router(config-if)# async mode interactive
Router(config-if)# peer default ip address pool dialin_pool
Router(config-if)# no cdp enable
Router(config-if)# ppp authentication chap pap dialin
Router(config-if)# group-range 1 96
```

Modem Calls

Modem calls travel through traditional telephone and ISDN lines. Regardless of the media used, these calls are initiated by a modem and terminate on another modem at the remote end.

Figure 6 shows a remote laptop using a V.90 internal modem to dial in to a Cisco AS5300 access server, which is loaded with 96 internal V.90 MICA technologies modems.

Figure 6 Remote Node Dialing In to a Cisco AS5300 Access Server



Asynchronous Line Configuration

Asynchronous line configuration commands configure ports for the following options:

- Physical layer options such as modem configuration
- Security for login in EXEC mode
- AppleTalk Remote Access (ARA) protocol configuration (PPP is configured in interface configuration mode)
- Autoselect to detect incoming protocols (ARA and PPP)

To enter line configuration mode, first connect to the console port of the access server and enter privileged EXEC mode. Then enter global configuration mode and finally enter line configuration mode for the asynchronous lines that you want to configure. The following example shows how you enter line configuration mode for lines 1 through 16:

```
Router> enable
Router# configure terminal
Router(config)# line 1 16
Router(config-line)#
```

Absolute Versus Relative Line Numbers

When you enter line configuration mode, you can specify an absolute line number or a relative line number. For example, absolute line number 20 is vty 2 (line 18 is vty 0). Referring to lines in a relative format is often easier than attempting to recall the absolute number of a line on a large system. Internally, the router uses absolute line numbers.

On all routers except the Cisco AS5350, AS5400, AS5800, AS5850 access servers, you can view all of the absolute and relative line numbers using the **show users all** EXEC command.

In the following sample display, absolute line numbers are listed at the far left. Relative line numbers are in the third column, after the line type. The second virtual terminal line, vty 1, is absolute line number 3. Compare the line numbers in this sample display to the output from the **show line** command.

Line	User	Host(s)	Idle Location
0	con	0	
1	aux	0	
2	vtty	0 incoming	0 SERVER.COMPANY.COM
3	vtty	1	
4	vtty	2	
5	vtty	3	
6	vtty	4	

On the Cisco AS5350, AS5400, AS5800, AS5850 access servers, you can view the absolute and relative line numbers with the following commands:

- **show users all | exclude tty | interface** to show the non-internal modem lines
- **show controller async | include tty** to show the internal modem lines

The following example shows the information displayed with the **show users all | exclude tty | interface** command:

```
Router# show users all | exclude tty | Interface
      Line      User      Host(s)      Idle      Location
*  0 con 0
  1 aux 0
  2 vty 0
  3 vty 1
  4 vty 2
  5 vty 3
  6 vty 4
      Idle      Location
00:00:00
00:00:00
00:00:00
00:00:00
00:00:00
00:00:00
00:00:00
```

The following example shows the information displayed with the **show controller async | include tty** command:

```
Router# show controller async | include tty
Controller information for Async2/00 (tty324)
Controller information for Async2/01 (tty325)
Controller information for Async2/02 (tty326)
.
.
.
```

Compare the line numbers in this sample display to the output from the **show line** command.

Line and Modem Numbering Issues

The tty line numbering scheme used by your access server or router is specific to your product and its hardware configuration. Refer to the product-specific documentation that came with your product for line numbering scheme information.

For example, the Cisco AS5200 access server has tty lines that map directly to integrated modems, as shown in [Table 1](#). Depending on the shelf, slot, and port physical architecture of the access server, the modem and tty line number schemes will change.

As shown in [Table 1](#), physical terminal lines 1 through 24 directly connect to modems 1/0 through 1/23, which are installed in the first chassis slot in this example. Physical terminal lines 25 through 48 directly connect to modems 2/0 through 2/23, which are installed in the second slot.

Table 1 *tty Lines Associated with Cisco AS5200 Modems*

tty Line	Slot/Modem Number	tty Line	Slot/Modem Number
1	1/0	25	2/0
2	1/1	26	2/1
3	1/2	27	2/2
4	1/3	28	2/3
5	1/4	29	2/4

Table 1 *tty Lines Associated with Cisco AS5200 Modems (continued)*

tty Line	Slot/Modem Number	tty Line	Slot/Modem Number
6	1/5	30	2/5
7	1/6	31	2/6
8	1/7	32	2/7
9	1/8	33	2/8
10	1/9	34	2/9
11	1/10	35	2/10
12	1/11	36	2/11
13	1/12	37	2/12
14	1/13	38	2/13
15	1/14	39	2/14
16	1/15	40	2/15
17	1/16	41	2/16
18	1/17	42	2/17
19	1/18	43	2/18
20	1/19	44	2/19
21	1/20	45	2/20
22	1/21	46	2/21
23	1/22	47	2/22
24	1/23	48	2/23

Decimal TCP Port Numbers for Line Connections

Connections to an individual line are most useful when a dial-out modem, parallel printer, or serial printer is attached to that line. To connect to an individual line, the remote host or terminal must specify a particular TCP port on the router.

If reverse XRemote is required, the port is 9000 (decimal) plus the decimal value of the line number.

If a raw TCP stream is required, the port is 4000 (decimal) plus the decimal line number. The raw TCP stream is usually the required mode for sending data to a printer.

If Telnet protocols are required, the port is 2000 (decimal) plus the decimal value of the line number. The Telnet protocol might require that Return characters be translated into Return and line-feed character pairs. You can turn off this translation by specifying the Telnet binary mode option. To specify this option, connect to port 6000 (decimal) plus the decimal line number.

For example, a laser printer is attached to line 10 of a Cisco 2511 router. Such a printer usually uses XON/XOFF software flow control. Because the Cisco IOS software cannot receive an incoming connection if the line already has a process, you must ensure that an EXEC session is not accidentally started. You must, therefore, configure it as follows:

```
line 10
  flowcontrol software
  no exec
```

A host that wants to send data to the printer would connect to the router on TCP port 4008, send the data, and then close the connection. (Remember that line number 10 octal equals 8 decimal.)

Signal and Flow Control Overview

The EIA/TIA-232 output signals are Transmit Data (TXDATA), Data Terminal Ready (DTR), and Ready To Send (RTS—Cisco 2500 routers only). The input signals are Receive Data (RXDATA), Clear to Send (CTS), and RING. The sixth signal is ground. Depending on the type of modem control your modem uses, these names may or may not correspond to the standard EIA/TIA-232 signals.

Dialup modems that operate over normal telephone lines at speeds of 28800 bps use hardware flow control to stop the data from reaching the host by toggling an EIA/TIA-232 signal when their limit is reached.

In addition to hardware flow control, modems require special software configuring. For example, they must be configured to create an EXEC session when a user dials in and to hang up when the user exits the EXEC. These modems also must be configured to close any existing network connections if the telephone line hangs up in the middle of a session.

Cisco and the Cisco Logo are trademarks of Cisco Systems, Inc. and/or its affiliates in the U.S. and other countries. A listing of Cisco's trademarks can be found at www.cisco.com/go/trademarks. Third party trademarks mentioned are the property of their respective owners. The use of the word partner does not imply a partnership relationship between Cisco and any other company. (1005R)

Any Internet Protocol (IP) addresses and phone numbers used in this document are not intended to be actual addresses and phone numbers. Any examples, command display output, network topology diagrams, and other figures included in the document are shown for illustrative purposes only. Any use of actual IP addresses or phone numbers in illustrative content is unintentional and coincidental.

2001–2009 Cisco Systems, Inc. All rights reserved.



Configuring and Managing Integrated Modems

The Cisco IOS software provides commands that manage modems that reside inside access servers or routers in the form of modem cards. This chapter describes the modem management tasks. It includes the following main sections:

- [Modems and Modem Feature Support](#)
- [Managing Modems](#)
- [Configuration Examples for Modem Management](#)

For additional instructions for configuring Cisco access servers, see the chapter “Configuring and Managing Cisco Access Servers and Dial Shelves” in this publication.

To identify the hardware platform or software image information associated with a feature, use the Feature Navigator on Cisco.com to search for information about the feature or refer to the software release notes for a specific release. For more information, see the “Identifying Supported Platforms” section in the “Using Cisco IOS Software” chapter.

For a complete description of the commands mentioned in this chapter, refer to the [Cisco IOS Dial Technologies Command Reference](#). To locate documentation of other commands that appear in this chapter, use the command reference master index or search online.

Modems and Modem Feature Support

The Cisco IOS software supports three types of integrated modems for Cisco access servers and access routers:

- Modem ISDN channel aggregation (MICA) digital modem
- NextPort digital modem
- NM-AM network module analog modem

[Table 1](#) lists device support for each of the Cisco access server hardware platforms.



Table 1 Cisco IOS Modems and Modem Feature Support

Device Support	Cisco AS5300	Cisco AS5350	Cisco AS5400	Cisco AS5800	Cisco 2600/3600 Series Routers
Integrated modems	6- and 12-port MICA	60-port NextPort CSM v6DFC	108-port NextPort CSM v6DFC	72- and 144-port MICA 324-port NextPort CSM v6DFC	6-port, 12-port, 18-port, 24-port, or 30-port MICA NM-DM 8- and 16-port analog NM-AM
V.90	Yes	Yes	Yes	Yes	Yes with NM-DM
V.110	Yes	Yes	Yes	Yes	Yes with NM-DM
V.120	No, CPU only	Yes	Yes	Yes with 324-port NextPort ¹ CSM v6DFC	No, CPU only

1. For more detailed information regarding the V.120 functionalities that are supported both by NextPort and Cisco IOS software, see the section “[V.120 Bit Rate Adaptation Standard](#).”

**Note**

If the platform is using MICA technologies modems, the V.120 rate adaptation is done by CPU on vty lines like protocol translation sessions.

**Note**

Typically, parity and databits commands have no effect on modem lines without UART. However, since modem lines such as WIC-1AM and WIC-2AM are implemented through UART and use an internal UART, the parity and databits commands can be used to set async parity framing. The following commands may be used on WIC-AM modem cards although changing the DTE speed and stopbits on these lines have no effect: parity, databits, stopbits, flowcontrol, speed, rxspeed, and txspeed.

The following sections summarize the standards supported by modems in the Cisco access servers. See [Table 2](#) through [Table 5](#) for a summary and comparison of the Cisco IOS commands used for the MICA and NextPort modems.

V.90 Modem Standard

Study Group 16 of the International Telecommunication Union Telecommunication Standardization Sector (ITU-T) developed the V.90 modem standard for multimedia systems. The V.90 standard describes a digital modem and analog modem pair for use on the public switched telephone network (PSTN). V.90 modems are designed for connections that are digital at one end and have only one digital-to-analog conversion. The V.90 standard is expected to be widely used for applications such as Internet and online service access. Download speeds of up to 56,000 bits per second (bps) are possible, depending on telephone line conditions, with upload speeds of up to 33,600 bps.

V.110 Bit Rate Adaption Standard

V.110 is a bit rate adaptation standard defined by the ITU that provides a standard method of encapsulating data over global system for mobile telecommunication (GSM) and ISDN networks. V.110 allows for reliable transport of asynchronous or synchronous data. V.110 adapts a low-speed connection to an ISDN B channel allowing the remote station or terminal adapter to use the fast call setup times offered by ISDN. This feature allows V.110 calls to be originated and terminated over ISDN. It also enables GSM wireless connectivity.

V.110, as an alternative to V.120, provides DTE with V-series type interfaces with access to ISDN network by bit stuffing. Many V.110 devices are used in Europe and Japan. In Japan, MICA supports the Personal-Handyphone-System Internet Access Forum Standard (PIAFS) protocol, which is similar to V.110.

The V.110 implementation for calls on MICA modems is managed by special boardware and modem code, along with the appropriate Cisco IOS image, in a manner similar to other modulation standards. This MICA V.110 implementation provides V.110 user rates ranging from 600 bps to 38,400 bps.

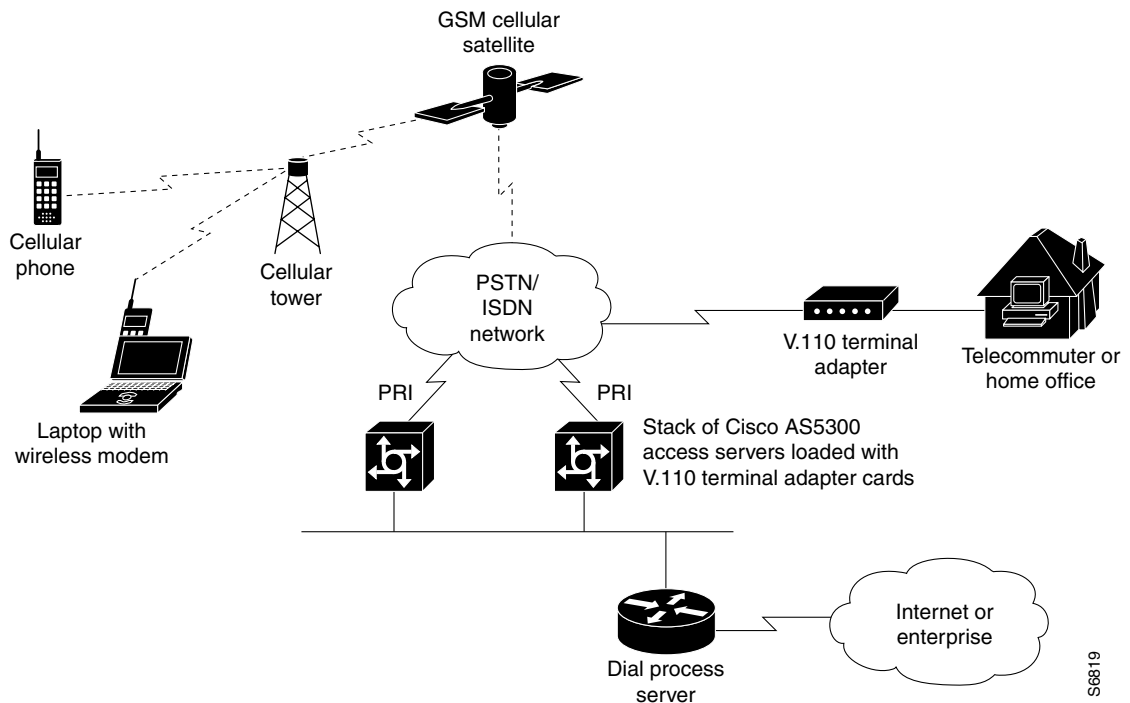
V.110 is supported on the following Cisco devices and network modules:

- Cisco AS5300-series access servers
- Cisco 3620, 3640, and 3660 access routers
- NM-6DM, NM-12DM, NM-18DM, NM-24DM, and NM-30DM network modules

The digital signal processors (DSPs) on the board can function as either modems or V.110 terminal adapters (or V.120 terminal adapters for NextPort DSPs). Based on the ISDN Q.931 bearer capability information element, the Cisco IOS software configures the DSP to treat the incoming call as a modem call, a V.110 call, or a V.120 call.

[Figure 1](#) shows a dial-in scenario for how V.110 technology can be used with a stack of Cisco AS5300-series access servers.

Figure 1 V.110 Dial-In Scenario Using a Stack of Cisco AS5300-Series Access Servers



V.120 Bit Rate Adaptation Standard

ITU-T Recommendation V.120 revised by the ITU-T Study Group 14. V.120 describes a standard that can be used for adapting terminals with non-ISDN standard network interfaces to an ISDN. It is intended to be used between two terminal adapter (TA) functional groups, between two ISDN terminal (TE1) functional groups, between a TA and a TE1, or between either a TA or TE1 and an interworking facility inside a public or private ISDN.

V.120 allows for reliable transport of synchronous, asynchronous, or bit transparent data over ISDN bearer channels. Cisco provides three V.120 support features for terminal adapters that do not send the low-layer compatibility fields or bearer capability V.120 information:

- Answer all incoming calls as V.120—Static configuration used when all remote users have asynchronous terminals and need to connect with a vty on the router.
- Automatically detect V.120 encapsulation—Encapsulation dynamically detected and set.
- Enable V.120 support for asynchronous access over ISDN.

For terminal adapters that send the low-layer compatibility or bearer capability V.120 information, mixed V.120 and ISDN calls are supported. No special configuration is required.

V.120 is a digital rate adaptation and cannot be done on NM-AM network module analog modems. MICA DSP firmware does not have the code to terminate V.120 calls.

NextPort supports only a subset of V.120 functionalities that are supported by Cisco IOS software. Therefore, certain V.120 calls still will need to be terminated on the CPU, even if the chassis has available NextPort modems.

Managing Modems

To manage modems, perform the tasks in the following sections; the tasks you need to perform depend upon the type and needs of your system:

- [Managing SPE Firmware](#)
- [Configuring Modems in Cisco Access Servers](#)
- [Configuring Cisco Integrated Modems Using Modem Attention Commands](#)
- [Configuring Modem Pooling](#)
- [Configuring Physical Partitioning](#)
- [Configuring Virtual Partitioning](#)
- [Configuring Call Tracker](#)
- [Configuring Polling of Link Statistics on MICA Modems](#)
- [Configuring MICA In-Band Framing Mode Control Messages](#)
- [Enabling Modem Polling](#)
- [Setting Modem Poll Intervals](#)
- [Setting Modem Poll Retry](#)
- [Collecting Modem Statistics](#)
- [Troubleshooting Using a Back-to-Back Modem Test Procedure](#)
- [Clearing a Direct Connect Session on a Microcom Modem](#)
- [Displaying Local Disconnect Reasons](#)
- [Removing Inoperable Modems](#)
- [Busying Out a Modem Card](#)
- [Monitoring Resources on Cisco High-End Access Servers](#)

Managing SPE Firmware

You can upgrade your modem firmware to the latest NextPort Service Processing Element (SPE) firmware image available from Cisco. The SPE firmware image is usually retrieved from Cisco.com. You must first copy the SPE image from a TFTP server to flash memory using the **copy tftp flash** command. You then configure the firmware upgrade using the **firmware location** and **firmware upgrade** SPE configuration commands. The **firmware location** command specifies the location of the firmware file and downloads the firmware to an SPE or a range of SPEs, according to the schedule you selected for the firmware upgrade method using the **firmware upgrade** command.

The modem firmware upgrade commands must be saved into the system configuration using the **write memory** command; otherwise, at the next reboot downloading of the specified firmware will not occur.

To upgrade SPE firmware, use the following commands:

	Command	Purpose
Step 1	Router# configure terminal	Enters global configuration mode.
Step 2	AS5400: Router(config)# spe slot/spe Or Router(config)# spe slot/spe slot/spe AS5800: Router(config)# spe shelf/slot/spe Or Router(config)# spe shelf/slot/spe shelf/slot/spe	Enters SPE configuration mode. You can choose to configure a range of SPEs by specifying the first and last SPE in the range.
Step 3	Router(config-spe)# firmware upgrade {busyout download-maintenance reboot}	Specifies the upgrade method. Three methods of upgrade are available. The busyout keyword waits until all calls are terminated on an SPE before upgrading the SPE to the designated firmware. The download-maintenance keyword upgrades the firmware during the download maintenance time. The reboot keyword requests the access server to upgrade firmware at the next reboot.
Step 4	Router(config-spe)# firmware location [IFS: [/]] <i>filename</i>	Specifies the SPE firmware file in flash memory to use for the selected SPEs. Allows you to upgrade firmware for SPEs after the new SPE firmware image is copied to your flash memory. The Cisco IOS file specification (IFS) can be any valid IFS on any local file system. Use the dir all-file systems EXEC command to display legal IFSs. Examples of legal IFS specifications include: <ul style="list-style-type: none"> • bootflash:—Loads the firmware from a separate flash memory device. • flash:—Loads the firmware from the flash NVRAM located within the router. • system:/—Loads the firmware from a built-in file within the Cisco IOS image. The optional forward slash (/) and system path must be entered with this specification. • <i>filename</i>—The name of the desired firmware file (for example, mica-modem-pw.2.7.3.0.bin). If the system keyword is specified, enter the path to the filename you want to download.
Step 5	Router(config-spe)# exit	Exits SPE configuration mode.
Step 6	Router(config)# exit	Exits global configuration mode.
Step 7	Router# copy running-config startup-config	Saves your changes.

**Note**

As soon as a firmware file is specified, the downloading begins. Do not specify all modems and then go into an upgrade process on a busy router. The modems that are not busy will all be marked busy and the server will wait until all the modems on each of the given cards are free before upgrading the multiple-port cards. The only way to clear this situation is to start disconnecting users with a **clear** command. Normally, groups of modems are specified in scripts with the `spe slot/spe_begin` and `slot/spe_end` statements, and upgrades are done in a rolling fashion.

Use the **show modem version** and **show spe version** commands to verify that the modems are running the portware version you specified.

The following example shows how to enter the SPE configuration mode, set the range of SPEs, specify the firmware file location in flash memory, download the file to the SPEs, and display a status report using the **show spe EXEC** command:

```
Router# configure terminal
Router(config)# spe 7/0 7/17
Router(config-spe)# firmware upgrade busyout
Router(config-spe)# firmware location flash:np_6_75
Started downloading firmware flash:np_6_75.spe
Router(config-spe)# exit
Router(config)# exit
Router# show spe 7
```

```
.
.
.
.
.
.
.
.
.
.
```

SPE#	Port #	SPE State	SPE Busyout	SPE Shut	SPE Crash	Port State	Call Type
7/00	0000-0005	ACTIVE		1	0	0 BBBBBB	_____
7/01	0006-0011	DOWNLOAD		1	0	0 bbbbbb	_____
7/02	0012-0017	DOWNLOAD		1	0	0 bbbbbb	_____
7/03	0018-0023	DOWNLOAD		1	0	0 bbbbbb	_____

For information about upgrading Cisco 3600 Series and Cisco 3700 modems, see the *Cisco 3600 Series and Cisco 3700 Series Modem Portware Upgrade Configuration Note* at the following URL:

http://www.cisco.com/univercd/cc/td/doc/product/access/acs_mod/cis3600/sw_conf/portware/5257d56k.htm .

Configuring Modems in Cisco Access Servers

To configure modem support for access servers such as the Cisco AS5300 and AS5800, perform the following tasks. The list describes which tasks are required and which are optional but recommended.

- [Configuring Modem Lines](#) (Required)
- [Verifying the Dial-In Connection](#) (Optional but Recommended)
- [Troubleshooting the Dial-In Connection](#) (Optional but Recommended)
- [Configuring the Modem Using a Modemcap](#) (Required)
- [Configuring the Modem Circuit Interface](#) (Required for Digital Modems)

Configuring Modem Lines

You must configure the modem lines and set the country code to enable asynchronous connections into your access server. To configure the modems and line, use the following commands beginning in global configuration mode:

Command	Purpose
<p>Step 1 MICA modems</p> <pre>Router(config)# modem country mica country</pre> <p>NextPort SPE modems</p> <pre>Router(config)# spe country country</pre> <p>Microcom modems</p> <pre>Router(config)# modem country microcom_hdms country</pre>	<p>Depending on the type of modems loaded in your access server, specifies the modem vendor and country code.¹ This step is only for the MICA, NextPort SPE, and Microcom modems in the Cisco AS5000 series access servers.</p> <p>Table 2 through Table 5 provide a summary and comparison of the Cisco IOS commands used for the MICA and NextPort modems.</p>
<p>Step 2 Router(config)# line beginning-line-number ending-line-number</p>	<p>Enters the number of modem lines to configure. Usually this range is equal to the number of modems in the access server. Use the show line EXEC command to see which lines are available.</p>
<p>Step 3 Router(config-line)# transport {input output} {all none}</p>	<p>Specifies that connection protocols can be used when connecting to the line. For outgoing calls, choose the output option. For incoming calls, choose the input option. If you do not intend to dial out, choose the none option.</p>
<p>Step 4 Router(config-line)# autoselect {arap ppp slip}</p>	<p>Configures the line to automatically startup an AppleTalk Remote Access (ARA), PPP, and Serial Line Internet Protocol (SLIP) session. You can configure more than one protocol by entering multiple autoselect commands with the appropriate keyword.</p>
<p>Step 5 Router(config-line)# autoselect during-login</p>	<p>Configures the lines to display the username and password prompt as soon as the line is connected, rather than waiting until the user presses the Enter or Return key at the terminal.</p>
<p>Step 6 Router(config-line)# login authentication dialin or Router(config-line)# login login-name Router(config-line)# password password</p>	<p>Enables authentication across all asynchronous modem logins.</p> <p>Use the login authentication dialin command when authentication, authorization, and accounting (AAA) authentication has been enabled.</p> <p>Use the login and password commands to configure non-AAA user authentication.</p>
<p>Step 7 Router(config-line)# modem dialin</p>	<p>Configures the modem for only incoming calls.</p>
<p>Step 8 Router(config-line)# exit</p>	<p>Returns to global configuration mode.</p>

1. For a comprehensive list of modem country codes, see the **modem country mica** command and the **modem country microcom_hdms** command in the *Cisco IOS Dial Technologies Command Reference*.

Verifying the Dial-In Connection

Before configuring any additional protocols for the line such as SLIP, PPP, or ARA, test whether the dial-in connection for the access server and modem are configured correctly for dial-in access,



Note

The same configuration issues exist between the client DTE and client modem. Make sure that you have the correct EIA/TIA-232 cabling and modem initialization string for your client modem.

The following is an example of a successful connection from a PC using a known good modem to dial in to a Cisco access server:

```
at
OK
atdt9,5550101
CONNECT 14400/ARQ/V32/LAPM/V42BIS
User Access Verification
Username: user1
Password:
Router>
```

Troubleshooting the Dial-In Connection

Depending upon the problems you experience, take the appropriate action:

- If you are having problems making or receiving calls, make sure that you turned on the protocols for connecting to the lines and configured for incoming and outgoing calls.
- If the calls are not coming up at all, turn on modem debugging. Use the the modem debugging commands as follows:
 - The **debug modem** command enables debugging on the modem line.
 - The **debug modem csm** (or **debug csm modem**) command enables debugging for lines configured for digital modems.
 - The **debug isdn q931** command enables debugging for lines configured for the ISDN and Signaling System 7 (SS7) Q.931 protocols.
 - The **debug cas** command enables debugging for lines configured for channel-associated signaling (CAS).

Following is a sample of how to enable and then disable Cisco IOS modem debugging commands on a network access server:

```
Router# debug modem
Router# debug modem csm
Router# debug isdn q931
Router# no debug modem
Router# no debug modem csm
Router# no debug isdn q931
```

- Enter the **debug modem ?** command for a list of additional modem debugging commands:

```
Router# debug modem ?
b2b          Modem Special B2B
csm          CSM activity
maintenance  Modem maintenance activity
mica        MICA Async driver debugging
oob         Modem out of band activity
tdm         B2B Modem/PRI TDM
```

```
trace          Call Trace Upload
```

- Turn off the messages by entering the **no debug modem** command.

For more detailed information refer to the TAC Tech Notes document, *Troubleshooting Modems*, at the following URL:

http://www.cisco.com/en/US/partner/tech/tk801/tk36/technologies_tech_note09186a0080094eb9.shtml#

Configuring the Modem Using a Modemcap

Modems are controlled by a series of parameter settings (up to a limit of 128 characters) that are sent to the modem to configure it to interact with a Cisco device in a specified way. The parameter settings are stored in a database called a *modem capability* (modemcap). The Cisco IOS software contains defined modemcaps that have been found to properly initialize internal modems. Following are the names of some modemcaps available in the Cisco IOS software:

- `cisco_v110`—Cisco (NEC) internal V.110 TA (AS5200)
- `mica`—Cisco MICA HMM/DMM internal digital modem
- `nextport`—Cisco NextPort CSMV/6 internal digital modem
- `microcom_hdms`—Microcom HDMS chassis
- `microcom_mimic`—Cisco (Microcom) internal analog modem (NM-AM-2600/3600)
- `microcom_server`—Cisco (Microcom) V.34/56K internal digital modem (AS5200)

Enter these modemcap names with the **modem autoconfigure type** command.

For more information on creating and using modemcaps refer to the TAC Tech Notes documentation, *Recommended Modemcaps for Internal Digital and Analog Modems on Cisco Access Servers*, at the following URL:

http://www.cisco.com/en/US/partner/tech/tk801/tk36/technologies_tech_note09186a008009491b.shtml

If your modem is not on this list and if you know what modem initialization string you need to use with it, you can create your own modemcap; see the following procedure, “[Using the Modem Autoconfigure Type Modemcap Feature](#).” To have the Cisco IOS determine what type of modem you have, use the **modem autoconfigure discovery** command to configure it, as described in the procedure “[Using the Modem Autoconfigure Discovery Feature](#).”



Note

When configuring an internal modem, avoid using the Modem Autoconfigure Discovery feature because the feature can misdetect the internal modem type and cause the modem to start working in an unpredictable and unreproducible manner.

Using the Modem Autoconfigure Type Modemcap Feature

If you know what modem initialization string you need to use with your modem, you can create your own modemcap by performing the following steps.

Step 1 Use the **modemcap edit** command to define your own modemcap entry.

The following example defines modemcap MODEMCAPNAME:

```
Router(config)# modemcap edit MODEMCAPNAME miscellaneous &FS0=1&D3
```

Step 2 Apply the modemcap to the modem lines as shown in the following example:

```
Router# terminal monitor
```

```

Router# debug confmodem
Modem Configuration Database debugging is on
Router#configure terminal
Enter configuration commands, one per line.  End with CNTL/Z.
Router(config)#line 33 34
Router(config-line)#modem autoconfigure type MODEMCPNAME
Jan 16 18:12:59.643: TTY34: detection speed (115200) response ---OK---
Jan 16 18:12:59.643: TTY34: Modem command: --AT&FS0=1&D3--
Jan 16 18:12:59.659: TTY33: detection speed (115200) response ---OK---
Jan 16 18:12:59.659: TTY33: Modem command: --AT&FS0=1&D3--
Jan 16 18:13:00.227: TTY34: Modem configuration succeeded
Jan 16 18:13:00.227: TTY34: Detected modem speed 115200
Jan 16 18:13:00.227: TTY34: Done with modem configuration
Jan 16 18:13:00.259: TTY33: Modem configuration succeeded
Jan 16 18:13:00.259: TTY33: Detected modem speed 115200
Jan 16 18:13:00.259: TTY33: Done with modem configuration

```

**Note**

The report that is generated by the **debug confmodem** command can be misleading for the MICA and NextPort internal modems because these modems do not have Universal Asynchronous Receiver/Transmitter (UART) and exchange data with the CPU at speeds of hundreds of kbps.

Using the Modem Autoconfigure Discovery Feature

If you prefer that the modem software use its autoconfigure mechanism to configure the modem, use the **modem autoconfigure discovery** command.

The following example shows how to configure modem autoconfigure discovery mode:

```

Router# terminal monitor
Router# debug confmodem
Modem Configuration Database debugging is on
Router# configure terminal
Enter configuration commands, one per line.  End with CNTL/Z.
Router(config)# line 33 34
Router(config-line)# modem autoconfigure discovery
Jan 16 18:16:17.724: TTY33: detection speed (115200) response ---OK---
Jan 16 18:16:17.724: TTY33: Modem type is default
Jan 16 18:16:17.724: TTY33: Modem command: --AT&F&C1&D2S0=1H0--
Jan 16 18:16:17.728: TTY34: detection speed (115200) response ---OK---
Jan 16 18:16:17.728: TTY34: Modem type is default
Jan 16 18:16:17.728: TTY34: Modem command: --AT&F&C1&D2S0=1H0--
Jan 16 18:16:18.324: TTY33: Modem configuration succeeded
Jan 16 18:16:18.324: TTY33: Detected modem speed 115200
Jan 16 18:16:18.324: TTY33: Done with modem configuration
Jan 16 18:16:18.324: TTY34: Modem configuration succeeded
Jan 16 18:16:18.324: TTY34: Detected modem speed 115200
Jan 16 18:16:18.324: TTY34: Done with modem configuration

```

Configuring the Modem Circuit Interface

The next task to complete before using the integrated modem is to configure the modem circuit interface. The basic steps are outlined next:

- If the integrated modem is an analog modem, no further configuration is required; modem characteristics are set on the line.
- If the integrated modem is a digital modem, you can configure either the ISDN or CAS, as appropriate.

- For ISDN BRI and PRI, you need to select the switch type and whether ISDN accepts incoming voice or data calls. If you configure a PRI, you will need to configure the T1 or E1 controller.
- Configuring CAS is described in the chapter “Configuring ISDN PRI” in the Signaling Configuration part of this guide.

If you want to configure SS7, refer to Appendix G, “Configuring the Cisco SS7/C7 Dial Access Solution System,” in the *Cisco IOS Voice, Video, and Fax Configuration Guide*.

Comparison of NextPort SPE and MICA Modem Commands

Table 2 through Table 5 compare the MICA and SPE commands.

Table 2 EXEC Commands: NextPort to MICA Command Comparison

NextPort SPE Commands	Purpose	MICA Modem Commands
clear port	Clears specified ports.	clear modem
clear port log	Clears all log entries for specified ports.	clear modem log
clear spe	Reboots all specified SPEs. All calls will be torn down.	none
clear spe counters	Clears all statistics.	clear modem counters
clear spe log	Clears all log entries for specified SPEs.	clear modem log
show port config	Displays configuration parameters for the current active session.	show modem config
show port modem calltracker	Displays port-level information for an active modem.	show modem calltracker
show port modem log	Displays the events generated by the modem sessions.	show modem log
show port modem test	Displays port modem test results.	show modem test
show port operational-status	Displays statistics for the current active session.	show modem operational-status
show spe	Displays the SPE status.	—
show spe log	Displays the SPE system log.	—
show spe modem active	Displays the statistics of all active calls on specified SPEs.	show modem
show spe modem csr	Displays the call success rate (CSR) for the specified SPE.	show modem
show spe modem disconnect-reason	Displays all modem disconnect reasons for the specified SPEs.	show modem call-stats
show spe modem high speed	Displays the total number of connections negotiated within each modulation or coder-decoder (codec) for a specific range of SPEs.	show modem speed
show spe modem high standard	Displays the total number of connections negotiated within each high modulation or codec for a specific range of SPEs or for all the SPEs.	—

Table 2 EXEC Commands: NextPort to MICA Command Comparison (continued)

NextPort SPE Commands	Purpose	MICA Modem Commands
show spe modem low speed	Displays the connect-speeds negotiated within each low-speed modulation or codec for a specific range of SPEs or for all the SPEs.	show modem speed
show spe modem low standard	Displays the total number of connections negotiated within each low modulation or codec for a specific range of SPEs or for all the SPEs.	—
show spe modem summary	Displays the modem service history statistics for specific SPEs.	show modem
show spe version	Displays all MICA and NextPort firmware versions stored in flash memory and the firmware assigned to each SPE.	show modem mapping

Table 3 SPE Configuration Commands: NextPort to MICA Command Comparison

NextPort SPE Commands	Purpose	MICA Modem Commands
busyout	Busies out active calls.	modem busyout
firmware location <i>filename</i>	Specifies the firmware file to be upgraded.	Already implemented on the Cisco AS5300 and Cisco AS5800 platforms.
firmware upgrade	Specifies the upgrade method.	Already implemented on the Cisco AS5300 platform.
port modem autotest¹	Enables modem autotest.	modem autotest
shutdown	Tears down all active calls on the specified SPEs.	modem shutdown
spe	Configures the SPE.	Already implemented on the Cisco AS5300 and Cisco AS5800 platforms.
spe call-record	Generates a modem call record at the end of each call.	modem call-record
spe country	Sets the system country code.	modem country
spe log-size	Sets the maximum log entries for each port.	modem buffer-size
spe poll	Sets the statistic polling interval.	modem poll

1. Cisco does not recommend the use of the **modem autotest** or **port modem autotest** command. These commands may produce unexpected results including modems being marked out of service and unscheduled reloads. These commands have been removed in Cisco IOS Release 12.3.

Table 4 Port Configuration Commands: NextPort to MICA Command Comparison

NextPort SPE Commands	Purpose	MICA Modem Commands
busyout	Busies out a port.	modem busyout
default	Compares the value of the command to its default value.	default modem
port	Configures the port range.	modem range
shutdown	Shuts down a port.	modem shutdown

Table 5 Global Configuration Commands: NextPort to MICA Command Comparison

NextPort SPE CLI Commands	Purpose	MICA Modem CLI Commands
ds0 busyout-threshold	Defines a threshold to maintain a balance between the number of digital signal level 0s (DS0s) and modems.	modem busyout-threshold

Configuring Cisco Integrated Modems Using Modem Attention Commands

This section provides information about using modem attention (AT) command sets to modify modem configuration. It contains the following sections:

- [Using Modem Dial Modifiers on Cisco MICA Modems](#) (As required)
- [Changing Configurations Manually in Integrated Microcom Modems](#) (As required)
- [Configuring Leased-Line Support for Analog Modems](#) (As required)

Using Modem Dial Modifiers on Cisco MICA Modems

Dial modifiers permit multistage dialing for outbound modem calling through public and private switched telephone networks (PSTNs).



Note

For additional information about dial modifiers for the MICA modems, search Cisco.com for the publication *AT Command Set and Register Summary for MICA Six-Port Modules*.

The Cisco NAS Modem Health feature is enabled by arguments to the **ATD AT** command. The **AT** prefix informs the network access server modem that commands are being sent to it, and the **D** (dial string or dial) suffix dials a telephone number, establishing a connection. With NAS Modem Health feature, you can enter the dial modifiers listed in [Table 6](#) after the **D** in your dial string: **X**, **W**, and the comma (,) character. These modifiers had been previously accepted without error but ignored in Cisco MICA modems on Cisco AS5300 and Cisco AS5800 universal access servers.

Table 6 *Dial Modifiers for Cisco MICA Modems*

Dial Modifier	Definition
X	Switches to in-band dual tone multifrequency (DTMF) mode for any subsequent digits remaining in the ATD string. The X dial modifier has been added to serve as a delimiter for the host when the dial string is processed. It allows Cisco MICA portware to be used in many environments that do not support DTMF dialing (for example, PRI).
W	Waits for dial tone and then switches to in-band DTMF mode for any subsequent digits remaining in the ATD string. The W dial modifier also acts as a delimiter between the primary and secondary sections of the dial string, so that no additional X modifier is needed. Once either an X or a W has been parsed in the dial string, any additional X modifiers are ignored. Additional W modifiers cause Cisco MICA modems to wait for a dial tone.
,	Delay: Number of seconds in S8. Default is 2 seconds. The comma (,) dial modifier is treated as a silent DTMF tone for the duration of seconds specified in S8. The comma is acted on only after the call switching module (CSM) has made the transition to DTMF mode, which requires that it either follow an X or a W in the dial string, or that the T1/E1 be configured for DTMF signaling.

In the following example dial string, the portion of the string before the **X** is dialed for the given line type used in your configuration. All digits after the **X** generate the appropriate DTMF tones.

```
atdT5550101x, ,567
```

Changing Configurations Manually in Integrated Microcom Modems

You can change the running configuration of an integrated modem by sending individual modem AT commands. Manageable Microcom modems have an out-of-band feature, which is used to poll modem statistics and send AT commands. The Cisco IOS software uses a direct connect session to transfer information through this out-of-band feature. To send AT commands to a Microcom modem, you must permit a direct connect session for a specified modem, open a direct connect session, send AT commands to a modem, and clear the directly connected session from the modem when you are finished.

Open a direct connect session by entering the **modem at-mode slot/port** command in privileged EXEC mode. From here, you can send AT commands directly from your terminal session window to the internal Microcom modems. Most incoming or outgoing calls on the modems are not interrupted when you open a direct connect session and send AT commands. However, some AT commands interrupt a call—for example, the **ATH** command, which hangs up a call. Open and close one direct connect session at a time. Note that multiple open sessions slow down modem performance.

Refer to the AT command set that came with your router for a complete list of AT commands that you can send to the modems.

For Microcom modems, you can clear or terminate an active directly connected session in two ways:

- Press **Ctrl-C** after sending all AT commands as instructed by the system when you enter AT command mode.
- Enter a second Telnet session and execute the **clear modem at-mode slot/port** EXEC command. This method is used for closing a directly connected session that may have been mistakenly left open by the first Telnet session.

The following example illustrates use of the modem commands.

AT Mode Example for Integrated Modems

To establish a direct connect session to an internal or integrated modem (existing inside the router), such as the connection required for Microcom modems in the Cisco AS5200 access server, open a directly connected session with the **modem at-mode** command and then send an AT command to the specified modem. For example, the following example sends the AT command **at%v** to modem 1/1:

```
AS5200# modem at-mode 1/1
You are now entering AT command mode on modem (slot 1 / port 1).
Please type CTRL-C to exit AT command mode.
at%v

MNP Class 10 V.34/V.FC Modem Rev 1.0/85

OK
at\s

IDLE          000:00:00
LAST DIAL

NET ADDR:      FFFFFFFF
MODEM HW: SA 2W United States
4 RTS 5 CTS 6 DSR - CD 20 DTR - RI
MODULATION     IDLE
MODEM BPS      28800 AT%G0
MODEM FLOW     OFF AT%G0
MODEM MODE     AUT AT%N3
V.23 OPR.     OFF AT%F0
AUTO ANS.     ON AT%S0=1
SERIAL BPS     115200 AT%U0
BPS ADJUST     OFF AT%J0
SPT BPS ADJ.   0 AT%W0
ANSWER MESSGS ON AT%Q0
SERIAL FLOW    BHW AT%Q3
PASS XON/XOFF OFF AT%X0
PARITY         8N AT
```

The modem responds with “OK” when the AT command you send is received.

Configuring Leased-Line Support for Analog Modems

Analog modems on the NM-8AM and NM-16AM network modules in the Cisco 2600 and 3600 series routers provide two-wire leased-line support for enterprise customers who require point-to-point connections between locations and for enterprise customers with medium to high data transfer requirements without access to other technologies or with access to only low-grade phone lines.

This feature works only with leased lines that provide loop current. Each modem used must have an RJ-11 connection to the PSTN.

Several features enhance the analog modem software:

- 2-wire leased-line support.
- Modem speeds up to 33.6 kbps with support for all current analog modem protocols, compression, and error correction techniques.
- Power-on autoconnect and loopback testing.
- Support for the maximum number of leased-line users without data transmission loss at distances up to 2 to 5 km.
- In-band and out-of-band monitoring.

- Support on all Cisco 2600 and Cisco 3600 series platforms and upgradability using Cisco IOS software.
- Compatibility with other major leased-line modem vendors.

To configure this support, configure one modem AT command (**AT&L**) and two AT registers with the **modemcap entry** command for the appropriate leased lines.

For leased line configuration using the **AT&L{0 | 1 | 2}** command:

- **0**—Disables the leased line (enables switched line; default).
- **1**—Enables the leased line. The modem initiates a leased line when dial and answer commands (**ATD** and **ATA**) are issued.
- **2**—Enables the leased line. The modem goes off hook automatically after T57 number of seconds in:
 - Originate mode if **ATS0** is 0.
 - Answer mode if **ATS0** is not equal to 0.

The following AT registers can also be set:

- **AT:T57**—Number of seconds before going off hook in leased-line mode when the command **AT&L2** is used (defaults to 6).
- **AT:T79**—Number of autoretrains before the modem is disconnected (defaults to 3).

For more information about using the AT command set with the modems on the NM-8AM and NM-16AM network modules in the Cisco 2600 and 3600 series routers, search Cisco.com for the publication *AT Command Set and Register Summary for Analog Modem Network Modules*.

To configure a modem for leased-line operation, use the following commands in global configuration mode:

	Command	Purpose
Step 1	Router(config)# modemcap entry modem-type-name: AA=S0=0&L2	Sets the modemcap for leased-line operation for the originating modem.
Step 2	Router(config)# modemcap entry modem-type-name: AA=S0=1&L2	Sets the modemcap for leased-line operation for the answering modem.

The **show modemcap** command lists all the predefined modem types and any user-defined modemcaps that are currently configured on the router:

- If the leased line has been configured, the modemcap information will be available.
- If the leased line has not been configured, only the predefined modem types will be displayed.

The important setting for leased-line support is what is defined in the modemcap as the key configuration item and its application to the leased line. Consider the following command strings:

```
modemcap entry micro_LL_orig:AA=S0=0&L2
modemcap entry micro_LL_ans:AA=S0=1&L2
```

AA stands for autoanswer:

- The answering modem AA register is set to 1 (**AA=S0=1**) so that autoanswer is “on”.
- The originating modem AA register is set to 0 (**AA=S0=0**) so that autoanswer is “off”.

If the AA feature is used, both the originating and answering modem must be put into leased-line mode with the **&L2** AT command.

In the examples, the **micro_LL_orig** and **micro_LL_ans** strings are arbitrary text descriptions.

**Note**

For the **modemcap entry** command, one of the predefined modem types may be used or a completely user-defined modemcap may be created. For leased line, no new modem type was added. Users may create their own modemcaps for leased-line functionality.

To configure the modem for leased-line operation, use the **modemcap entry** command. For each connection, each modem must be configured as an originator or answerer.

The following example shows modemcaps for a leased-line originator and answerer and their application to specific ports:

```
modemcap entry micro_LL_orig:AA=S0=0&L2
modemcap entry micro_LL_ans:AA=S0=1&L2
line 73
no exec
modem InOut
modem autoconfigure type micro_LL_ans
transport input all
line 74
no exec
modem InOut
modem autoconfigure type micro_LL_orig
transport input all
```

**Note**

When Multilink PPP (MLP) is configured on a dialer interface, the dialer configuration has a default value of 2 minutes for dialer idle timeout. For leased-line connections, set the dialer idle timeout to infinity by adding **dialer idle-timeout 0** to the configuration.

Verifying the Analog Leased-Line Configuration

The following information is important for verifying or troubleshooting your configuration. The **show modem log** command displays the progress of leased-line connections. Here is an example log for a leased-line answerer. Note the “LL Answering” state and “LL Answer” in the “Direction” field of the connection report:

```
00:44:03.884 DTR set high
00:44:02.888 Modem enabled
00:43:57.732 Modem disabled
00:43:52.476 Modem State:LL Answering
00:43:52.476 CSM:event-MODEM_STARTING_CONNECT New
State-CSM_CONNECT_INITIATED_STATE
00:43:51.112 Modem State:Waiting for Carrier
00:43:43.308 Modem State:Connected
00:43:42.304 Connection:TX/RX Speed = 33600/33600,
Modulation = V34
Direction = LL Answer, Protocol = MNP, Compression =
V42bis
00:43:42.304 CSM:event-MODEM_CONNECTED New
State-CONNECTED_STATE
00:43:42.300 RS232:noCTS* DSR* DCD* noRI noRxBREAK
TxBREAK*
00:43:41.892 PPP mode active
00:43:41.892 Modem enabled
00:43:39.888 PPP escape maps set:TX map=00000000 RX
map=FFFFFFFF
00:43:39.724 PPP escape maps set:TX map=00000000 RX
map=000A0000
00:43:34.444 RS232:CTS* DSR DCD noRI noRxBREAK TxBREAK
00:43:11.716 Modem Analog Report:TX = -20, RX = -34,
```

Signal to noise = 61

Cisco 2600 and 3600 Series Analog Modem Leased-Line Support Examples

In the following examples, one Cisco 3620 router and one Cisco 3640 router are connected back-to-back using leased lines. The Cisco 3620 router has the originating configuration, and the Cisco 3640 router has the answering configuration.

In the dialer interface configuration, the **dialer idle-timeout 0** command is added to set the dialer idle timeout to be infinity. Otherwise the leased line will go down and up every 2 minutes because the default dialer interface idle timeout is 2 minutes.



Note

Except for passwords and logins, the Cisco IOS command-line interface (CLI) is case-insensitive. For this document, an uppercase “L” has been used in the command examples to avoid confusion with the numeral “1”.

Leased-Line Originating Configuration

```

version 12.1
service timestamps debug uptime
service timestamps log uptime
!
modemcap entry micro_LL_orig:AA=S0=0&L2
modemcap entry micro_LL_ans:AA=S0=1&L2
!
interface Async33
  no ip address
  encapsulation ppp
  no ip route-cache
  no ip mroute-cache
  dialer in-band
  dialer pool-member 1
  async default routing
  async dynamic routing
  async mode dedicated
  no peer default ip address
  no fair-queue
  no cdp enable
  ppp direction callout
  ppp multilink
!
interface Dialer1
  ip address 10.1.24.1 255.255.255.0
  encapsulation ppp
  no ip route-cache
  no ip mroute-cache
  dialer remote-name sara40
  dialer pool 1
  dialer idle-timeout 0
  dialer max-call 4096
  no cdp enable
  ppp direction callout
  ppp multilink
!
dialer-list 1 protocol ip permit
!
line con 0
  exec-timeout 0 0
  transport input none
line 33

```

```

no exec
modem InOut
modem autoconfigure type micro_LL_orig
transport input all
line aux 0
  exec-timeout 0 0
line vty 0 4
  exec-timeout 0 0
!
end

```

Leased-Line Answering Configuration

```

version 12.1
service timestamps debug uptime
service timestamps log uptime
!
modemcap entry micro_LL_orig:AA=S0=0&L2
modemcap entry micro_LL_ans:AA=S0=1&L2
!
interface Async73
no ip address
encapsulation ppp
no ip route-cache
no ip mroute-cache
dialer in-band
dialer pool-member 1
async default routing
async dynamic routing
async mode dedicated
no peer default ip address
no fair-queue
no cdp enable
ppp direction callout
ppp multilink
!
interface Dialer1
ip address 10.1.24.2 255.255.255.0
encapsulation ppp
no ip route-cache
no ip mroute-cache
load-interval 30
dialer remote-name sara20
dialer pool 1
dialer idle-timeout 0
dialer load-threshold 1 either
dialer max-call 4096
no cdp enable
ppp direction callout
ppp multilink
!
dialer-list 1 protocol ip permit
line con 0
  exec-timeout 0 0
  transport input none
line 73
no exec
modem InOut
modem autoconfigure type micro_LL_ans
transport input all
line aux 0
  transport input all
  flowcontrol hardware
line vty 0 4

```

```
exec-timeout 0 0
!  
end
```

Configuring Modem Pooling

Modem pooling allows you to control which modem a call connects to, on the basis of dialed number identification service (DNIS). When modem pooling is not used, incoming and outgoing calls are arbitrarily assigned to modems. For example, consider a Cisco AS5300 access server loaded with a 4-port ISDN PRI card. After an analog modem call comes into the first PRI trunk, the call is greeted by a general pool of B channels and a general pool of modems. Any B channel can be connected to any modem in the access server. A random assignment takes place. Modem resources cannot be controlled.

Modem pooling assigns physical modems to a single DNIS. It enables you to create pools of physical modems in one access server, assign a unique DNIS to each modem pool, and set maximum simultaneous connect limits.

This feature is used for physically partitioning or virtually partitioning modems inside one network access server.

Modem pooling offers these benefits:

- A certain number of modem ports can be guaranteed per DNIS.
- Maximum simultaneous connection limits can be set for each DNIS.

The following restrictions apply:

- Modem pooling is not a solution for large-scale dial access. It cannot be used to create virtual modem pools across multiple access servers that are connected. Modem pooling is physically restricted to one access server.
- MICA and Microcom technology modems support modem pooling. However, only MICA modems support modem pooling for CT1 and CE1 configurations using CAS. To use modem pooling with CT1 or CE1 connections, you must reserve at least two modems in the default modem pool. These reserved modems decode DNIS before handing off calls to the modems assigned to modem pools.

If you see many call failures appearing on the access server, try assigning more modems to the default pool. Use the **show modem** and **show modem summary EXEC** commands to display the modem call failure and success ratio.

- No MIBs support modem pooling.
- The same DNIS cannot exist in more than one modem pool.

Modem pooling is supported on the Cisco AS5300 access servers. To configure and manage modems, perform the tasks in the following sections; all tasks are optional and depend upon the needs of your system.

- [Creating a Modem Pool](#) (Required)
- [Verifying Modem Pool Configuration](#) (As required)

Creating a Modem Pool

You must first decide to physically partition or virtually partition your modems. For more information, see the previous section, “[Configuring Modem Pooling](#).” After you have made this decision, create a modem pool for a dial-in service or specific customer by using the following commands beginning in global configuration mode.

	Command	Purpose
Step 1	Router(config)# modem-pool <i>name</i>	Creates a modem pool and assigns it a name, and starts modem pool configuration mode.
Step 2	Router(config-modem-pool)# pool-range <i>number-number</i>	Assigns a range of modems to the pool. A hyphen (-) is required between the two numbers. The range of modems you can choose from is equivalent to the number of modems in your access server that are not currently associated with another modem pool.
Step 3	Router(config-modem-pool)# called-number <i>number</i> [max-conn <i>number</i>]	Assigns the DNIS to be used for this modem pool. The max-conn option specifies the maximum number of simultaneous connections allowed for this DNIS. If you do not specify a max-conn value, the default (total number of modems in the pool) is used. ¹
Step 4	Router(config-modem-pool)# Ctrl-Z	Returns to EXEC mode.
Step 5	Router# show configuration	Displays the running configuration to verify the modem pool settings. Make changes accordingly.
Step 6	Router# copy running-config startup-config	Saves the running configuration to the startup configuration.

1. The DNIS string can have an integer x to indicate a “don’t care” digit for that position, for example, 555010x.

**Note**

If you have active modem calls on the access server before using modem pooling, modem pooling gracefully applies itself to the access server. Modem pooling first waits for active calls to hang up before assigning modems to modem pools and directing calls according to DNIS.

Verifying Modem Pool Configuration

To verify the modem configuration, enter the **show modem-pool** command to display the configuration. This command displays the structure and activity status for all the modem pools in the access server. See [Table 7](#) for a description of each display field.

```
Router# show modem-pool

modem-pool: System-def-Mpool
modems in pool: 0   active conn: 0
0 no free modems in pool

modem-pool: v90service
modems in pool: 48  active conn: 46
 8 no free modems in pool
called_party_number: 1234
max conn allowed: 48, active conn: 46
 8 max-conn exceeded, 8 no free modems in pool

modem-pool: v34service
modems in pool: 48  active conn: 35
0 no free modems in pool
called_party_number: 5678
max conn allowed: 48, active conn: 35
0 max-conn exceeded, 0 no free modems in pool
```


Table 7 *show modem-pool Field Descriptions*

Field	Description
modem-pool	Name of the modem pool. In the previous example, there are three modem pools configured: System-def-Mpool, v90service, and v34service. To set the modem pool name, refer to the modem-pool command. All the modems not assigned to a modem pool are automatically assigned to the system default pool (displayed as System-def-Mpool).
modems in pool	Number of modems assigned to the modem pool. To assign modems to a pool, refer to the display and descriptions for the pool-range command.
active conn	Number of simultaneous active connections for the specified modem pool or called party DNIS number.
no free modems in pool	Number of times incoming calls were rejected because there were no more free modems in the pool to accept the call.
called_party_number	Specified called party DNIS number. This is the number that the remote clients use to dial in to the access server. You can have more than one DNIS number per modem pool. To set the DNIS number, refer to the description for the called-number command.
max conn allowed	Maximum number of modems that a called party DNIS number can use, which is an overflow protection measure. To set this feature, refer to the description for the called-number command.
max-conn exceeded	Number of times an incoming call using this called party DNIS number was rejected because the max-conn number parameter specified by the called-number command was exceeded.

For modem pool configuration examples, see the section “[Physical Partitioning with Dial-In and Dial-Out Scenario](#)” later in this chapter.

Check the following if you are having trouble operating your modem:

- Make sure you have not configured the same DNIS for multiple pools.
- Make sure you have not placed the same modem in multiple pools.

**Note**

Modem pools that use MICA or Microcom modems support incoming analog calls over ISDN PRI. However, only MICA modems support modem pooling for T1 and E1 configurations with CAS.

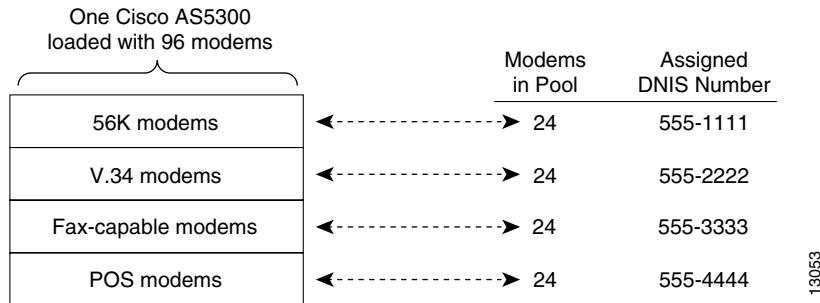
Configuring Physical Partitioning

You can either physically partition or virtually partition your modems to enable different dial-in and dial-out services. This section provides information about the following optional tasks:

- [Creating a Physical Partition, page 183](#)
- [Physical Partitioning with Dial-In and Dial-Out Scenario, page 184](#)

Physical partitioning uses one access server to function as multiple access servers loaded with different types of modem services (for example, V.34 modems, fax-capable modems, and point-of-sale (POS) modems). Each modem service is part of one physical modem pool and is assigned a unique DNIS number. (See Figure 2.)

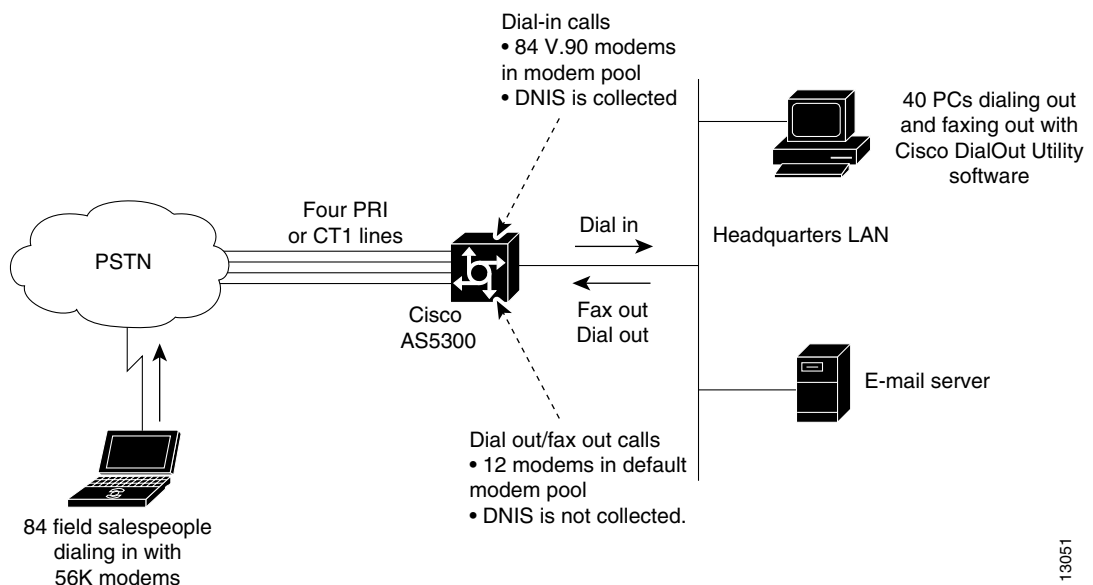
Figure 2 Modem Pooling Using Physical Partitioning



Physical partitioning can also be used to set up an access server for bidirectional dial access. (See Figure 3.)

Figure 3 shows one Cisco AS5300 access server loaded with 96 MICA modems and configured with 2 modem pools. One modem pool has 84 modems and collects DNIS. This pool is shared by 400 salespeople who remotely download e-mail from headquarters. The other modem pool contains 12 fax-capable modems and does not collect DNIS. This pool is shared by 40 employees using PCs on a LAN. Each time an outbound call is initiated by a PC, a modem on the Cisco AS5300 access server is seized and used to fax out or dial out. Not configuring DNIS support in the fax-out modem pool protects the pool from being used by the calls coming in from the field. Regardless of how many salespeople are dialing in or which telephone number they use, the fax-out and dial-out modem pool will always be reserved for the PCs connected to the LAN.

Figure 3 Modem Pooling Used for Bidirectional Dialing



13051

Creating a Physical Partition

The following task creates one V.34 modem pool and one 56K modem pool on a Cisco AS5200. Each modem pool is configured with its own DNIS. Depending on which DNIS the remote clients dial, they connect to a 56K MICA modem or a V.34 Microcom modem.

The following hardware configuration is used on the Cisco AS5200 access server:

- One 2-port T1 PRI card
- One 48-port card containing four 6-port MICA 56K modem modules and two 12-port Microcom V.34 modem modules

To configure basic physical partitioning, perform the following steps:

Step 1 Enter global configuration mode:

```
Router# configure terminal
Router(config)#
```

Step 2 Create the modem pool for the 56K MICA modem services using the **modem-pool name** command. The modem pool is called 56kservices, which spans four 6-port MICA 56K modem modules.

```
Router(config)# modem-pool 56kservices
Router(config-modem-pool)#
```



Note The router is in modem pool configuration mode after the prompt changes from Router(config)# to Router(config-modem-pool)#.

Step 3 Assign a range of modems to the modem pool using the **pool-range number-number** command. Because all the 56K MICA technologies modems are seated in slot 1, they are assigned TTY line numbers 1 to 24. Use the **show line EXEC** command to determine the TTY line numbering scheme for your access server.

```
Router(config-modem-pool)# pool-range 1-24
```

Step 4 Assign a DNIS to the modem pool using the **called-number number [max-conn number]** command. This example uses the DNIS 5550101 to connect to the 56K modems. The maximum simultaneous connection limit is set to 24. The 25th user who dials 5550101 gets a busy signal.

```
Router(config-modem-pool)# called-number 5550101 max-conn 24
```

Step 5 Return to EXEC mode by entering **Ctrl-Z**. Next, display the modem pool configuration using the **show modem-pool** command. In the following example, 56K modems are in the modem pool called 56kservices. The remaining 24 V.34 Microcom modems are still in the default system pool.

```
Router(config-modem-pool)# ^Z
Router# show modem-pool

modem-pool: System-def-Mpool
modems in pool: 24   active conn: 0
0 no free modems in pool

modem-pool: 56kservices
modems in pool: 24   active conn: 0
0 no free modems in pool
called_party_number: 5550101
max conn allowed: 24, active conn: 0
0 max-conn exceeded, 0 no free modems in pool
```

Step 6 Create the modem pool for the Microcom physical partition. After the configuration is complete, the **show modem-pool** command shows that there are no remaining modems in the system default modem pool.

```
Router# configure terminal
Enter configuration commands, one per line. End with CNTL/Z.
Router(config)# modem-pool v34services
Router(config-modem-pool)# pool-range 25-48
Router(config-modem-pool)# called-number 5550202 max-conn 24
Router(config-modem-pool)# ^Z
Router# show modem-pool

modem-pool: System-def-Mpool
modems in pool: 0 active conn: 0
0 no free modems in pool

modem-pool: 56kservices
modems in pool: 48 active conn: 0
0 no free modems in pool
called_party_number: 5550101
max conn allowed: 48, active conn: 0
0 max-conn exceeded, 0 no free modems in pool

modem-pool: v34services
modems in pool: 48 active conn: 0
0 no free modems in pool
called_party_number: 5550202
max conn allowed: 48, active conn: 0
0 max-conn exceeded, 0 no free modems in pool

Router# copy running-config startup-config
```

Physical Partitioning with Dial-In and Dial-Out Scenario

The following is a bidirectional dial scenario using a Cisco AS5300 access server. Two modem pools are configured. One modem pool contains 84 56K MICA modems, which is shared by 400 remote salespeople who dial in to headquarters. The other modem pool contains 12 fax-capable modems, which are shared by 40 employees who dial out of the headquarters LAN using the Cisco DialOut Utility software. See [Figure 3](#) for the network topology.

The following hardware configuration is used on the Cisco AS5300:

- One 4-port T1 PRI card
- Two 48-port cards containing fourteen 6-port MICA 56K modem modules and two 6-port MICA fax-capable modem modules

To configure physical partitioning with dial-in and dial-out capability, perform the following steps:

Step 1 Create the 56K modem pool for the 400 remote salespeople. This modem pool contains 84 modems, which are reserved for the dial-in calls. To get access, the salespeople dial the DNIS 5550303. The total number of simultaneous calls is limited to 84. The 85th call and those above it are rejected. The **modem dialin** line configuration command is used to prevent modems 1 to 84 from dialing out.

```
Router# configure terminal
Router(config)# modem-pool 56ksalesfolks
Router(config-modem-pool)# pool-range 1-84
Router(config-modem-pool)# called-number 5550303 max-conn 84
Router(config-modem-pool)# exit
Router(config)# line 1 84
```

```

Router(config-line)# modem dialin
Router(config-line)# transport input all
Router(config-line)# rotary 1
Router(config-line)# autoselect ppp
Router(config-line)# exit
Router(config)#

```

- Step 2** Create the dial-out/fax-out modem pool for the 40 local employees connected to the headquarters LAN. This modem pool contains 12 fax-capable MICA modems. No DNIS is assigned to the pool. Because lines 85 to 96 are used for the dial-out and fax-out modem services, the asynchronous lines are configured for reverse Telnet. This configuration is needed for the Telnet extensions to work with the dial-out application, which is installed on the LAN PCs.

```

Router(config)# modem-pool dialoutfolks
Router(config-modem-pool)# pool-range 85-96
Router(config-modem-pool)# exit
Router(config)# line 85-96
Router(config-line)# refuse-message z [!NMM!] No Modems Available z
Router(config-line)# exec-timeout 0 0
Router(config-line)# autoselect during-login
Router(config-line)# autoselect ppp
Router(config-line)# modem inout
Router(config-line)# rotary 1
Router(config-line)# transport preferred telnet
Router(config-line)# transport input all
Router(config-line)# exit
Router(config)#

```

- Step 3** Configure the group asynchronous interface, which assigns core protocol characteristics to all the asynchronous interfaces in the system. Regardless of the direction that the modems are dialing, all modems in the access server leverage this group asynchronous configuration.

```

Router(config)# interface group-async 1
Router(config-if)# ip unnumbered ethernet 0
Router(config-if)# encapsulation ppp
Router(config-if)# async mode interactive
Router(config-if)# ppp authentication chap pap paplocal
Router(config-if)# peer default ip address pool bidir_dial_pool
Router(config-if)# no cdp enable
Router(config-if)# no ip mroute cache
Router(config-if)# no ip route cache
Router(config-if)# async dynamic routing
Router(config-if)# async dynamic address
Router(config-if)# group range 1-96
Building configuration...
Router(config-if)# exit

```

- Step 4** Create an IP address pool for all the dial-in clients and dial-out clients. Both types of clients borrow addresses from this shared pool.

```

Router(config)# ip local pool bidir_dial_pool 10.4.1.1 10.4.1.96
Router(config)# ^z
Router# copy running-config startup-config

```

- Step 5** (Optional) If you are using CiscoSecure AAA and a remote TACACS server, include the following security statements on the access server:

```

Router(config)# aaa new-model
Router(config)# aaa authentication login default tacacs+
Router(config)# aaa authentication login noaaa local
Router(config)# aaa authentication login logintac tacacs+
Router(config)# aaa authentication ppp ppptac tacacs+
Router(config)# aaa authentication ppp paplocal local

```

```

Router(config)# aaa authorization exec tacacs+
Router(config)# aaa authorization network tacacs+
Router(config)# aaa authorization reverse-access tacacs+
Router(config)# aaa accounting exec start-stop tacacs+
Router(config)# aaa accounting network start-stop tacacs+
Router(config)# aaa accounting update newinfo
Router(config)# enable password cisco

```

You should also include the host name, timeout interval, and authentication key:

```

Router(config)# tacacs-server host 10.4.1.10
Router(config)# tacacs-server timeout 20
Router(config)# tacacs-server key nas1

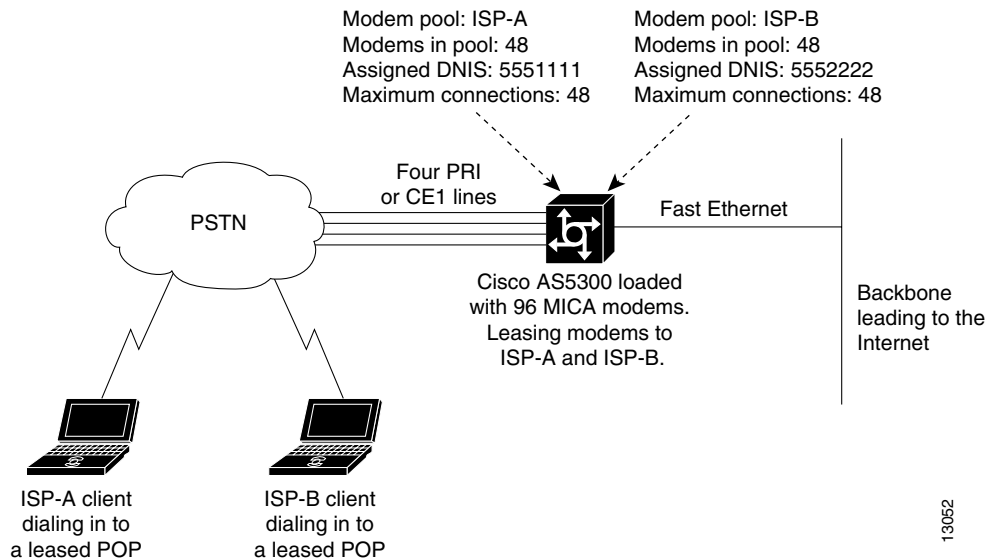
```

Configuring Virtual Partitioning

Virtual partitioning creates one large modem pool on one access server, but assigns different DNIS numbers to different customers. Each incoming DNIS consumes resources from the same modem pool, but a maximum connect option is set for each DNIS.

Figure 4 shows two Internet service provider (ISP) customers who are leasing modems from another service provider. Each ISP is assigned its own DNIS number and range of modems. Each ISP is guaranteed a certain number of physical modem ports for simultaneous connections. After an ISP uses up all the modems assigned to its DNIS, a busy signal is issued.

Figure 4 Modem Pooling Using Virtual Partitioning



Virtual partitioning essentially resells modem banks to customers, such as a small-sized ISP. However, remember that modem pooling is a single-chassis solution, not a multichassis solution. Modem pooling is not a solution for reselling ports on a large-scale basis.

The following procedure creates one modem pool on a Cisco AS5300 access server for two ISP customers. The shared modem pool is called `isp56kpool`. However, both ISP customers are assigned different DNIS numbers and are limited to a maximum number of simultaneous connections.

See [Figure 4](#) for the network topology.

The following hardware configuration is used on the Cisco AS5300 access server:

- One 4-port T1 PRI card
- Two 48-port cards containing sixteen 6-port MICA 56K modem modules

To configure virtual partitioning, perform the following steps:

Step 1 Enter global configuration mode:

```
Router# configure terminal
Enter configuration commands, one per line. End with CNTL/Z.
Router(config)#
```

Step 2 Create the shared modem pool for the 56K MICA modem services. This modem pool is called `isp56kpool`, which spans sixteen 6-port MICA 56K modem modules.

```
Router(config)# modem-pool isp56kpool
Router(config-modem-pool)#
```

Step 3 Assign all the modems to the modem pool using the `pool-range number-number` command. Use the `show line EXEC` command to determine your TTY line numbering scheme.

```
Router(config-modem-pool)# pool-range 1-96
```

Step 4 Assign a unique DNIS to each ISP customer using the `called-number number [max-conn number]` command. In this example, the `max-conn number` option limits each ISP to 48 simultaneous connections. The 49th user to dial either DNIS will get a busy signal.

```
Router(config-modem-pool)# called-number 5550101 max-conn 48
Router(config-modem-pool)# called-number 5550202 max-conn 48
```

Step 5 Return to EXEC mode by entering a `Ctrl-Z` sequence. Next, display the modem pool configuration using the `show modem-pool` command. In the following example, all the 56K modems are in the `isp56kpool` modem pool. The output also shows two DNIS numbers configured: 5550101 and 5550202.

```
Router(config-modem-pool)# ^Z
Router# show modem-pool
modem-pool: System-def-Mpool
modems in pool: 0   active conn: 0
0 no free modems in pool

modem-pool: isp56kpool
modems in pool: 96 active conn: 0
0 no free modems in pool
called_party_number: 5550101
max conn allowed: 48, active conn: 0
0 max-conn exceeded, 0 no free modems in pool
called_party_number: 5550202
max conn allowed: 48, active conn: 0
0 max-conn exceeded, 0 no free modems in pool

Router# copy running-config startup-config
```

Configuring Call Tracker

The Call Tracker feature captures detailed statistics on the status and progress of active calls and retains historical data for disconnected call sessions. Call Tracker collects session information such as call states and resources, traffic statistics, total bytes transmitted and received, user IP address, and disconnect reason. This data is maintained within the Call Tracker database tables, which are accessible through the Simple Network Management Protocol (SNMP), the CLI, or syslog.



Note

The `calltracker` command, providing Call Tracker services, is supported for dial calls but not voice. Calltracker is supported for dial calls on 5x platforms (5300, 5350, 5400, 5800, and 5850).

Call Tracker is notified of applicable call events by related subsystems such as ISDN, PPP, CSM, Modem, EXEC, or TCP-Clear. SNMP traps are generated at the start of each call, when an entry is created in the active table, and at the end of each call, when an entry is created in the history table. Call Record syslogs are available through configuration that will generate detailed information records for all call terminations. This information can be sent to syslog servers for permanent storage and future analysis.

Additionally, the status and diagnostic data that is routinely collected from MICA modems is expanded to include new link statistics for active calls, such as the attempted transmit and receive rates, the maximum and minimum transmit and receive rates, and locally and remotely issued retrains and speedshift counters. For more detailed information on Call Tracker logs, refer to the TAC Tech Notes document, *Understanding Call Tracker Outputs*, at the following URL:

http://www.cisco.com/warp/public/471/calltracker_view.html

To configure Call Tracker, perform the following steps:

	Command	Purpose
Step 1	Router(config)# calltracker enable	Enables Call Tracker.
Step 2	Router(config)# calltracker call-record {terse verbose} [quiet]	Enables Call Tracker syslog support for generating detailed Call Records.
Step 3	Router(config)# calltracker history max-size number	Sets the maximum number of call entries to store in the Call Tracker history table.
Step 4	Router(config)# calltracker history retain-mins minutes	Sets the number of minutes for which calls are stored in the Call Tracker history table.
Step 5	Router(config)# snmp-server packet-size byte-count	Sets the maximum packet size allowed for SNMP server requests and replies.
Step 6	Router(config)# snmp-server queue-length length	Sets the queue length for SNMP traps.
Step 7	Router(config)# snmp-server enable traps calltracker	Enables Call Tracker to send traps whenever a call starts or ends.
Step 8	Router(config)# snmp-server host host community-string calltracker	Specifies the name or Internet address of the host to send Call Tracker traps.

Verifying Call Tracker

To verify the operation of Call Tracker, use the the following command in EXEC mode:

Command	Purpose
Router# show call calltracker summary	Verifies the Call Tracker configuration and current status.

Enabling Call Tracker

The following example shows how to enable the Call Tracker feature:

```

calltracker enable
calltracker call-record terse
calltracker history max-size 50
calltracker history retain-mins 5000
!
snmp-server engineID local 0012345
snmp-server community public RW
snmp-server community private RW
snmp-server community xyz123 view v1default RO
snmp-server trap-source FastEthernet0
snmp-server packet-size 17940
snmp-server queue-length 200
snmp-server location SanJose
snmp-server contact Bob
snmp-server enable traps snmp
snmp-server enable traps calltracker
snmp-server enable traps isdn call-information
snmp-server enable traps hsrp
snmp-server enable traps config
snmp-server enable traps entity
snmp-server enable traps envmon
snmp-server enable traps bgp
snmp-server enable traps ipmulticast-heartbeat
snmp-server enable traps rsvp
snmp-server enable traps frame-relay
snmp-server enable traps rtr
snmp-server enable traps syslog
snmp-server enable traps dlsr
snmp-server enable traps dial
snmp-server enable traps dsp card-status
snmp-server enable traps voice poor-qov
snmp-server host 10.255.255.255 xyz123
snmp-server host 10.0.0.0 xxxyyy calltracker
!
radius-server host 172.16.0.0 auth-port 1645 acct-port 1646 non-standard
radius-server key xyz
!

```

Configuring Polling of Link Statistics on MICA Modems

The status and diagnostic data that is routinely collected from MICA modems is expanded to include new link statistics for active calls, such as the attempted transmit and receive rates, the maximum and minimum transmit and receive rates, and locally and remotely issued retrains and speedshift counters. This connection data is polled from the modem at user-defined intervals and passed to Call Tracker.

To poll modem link statistics, use the following command in global configuration mode:

Command	Purpose
Router(config)# modem link-info poll time <i>seconds</i>	Sets the polling interval at which link statistics for active calls are retrieved from the modem.

**Note**

The **modem link-info poll time** command consumes a substantial amount of memory, approximately 500 bytes for each MICA modem call. Use this command only if you require the specific data that it collects; for instance, if you have enabled Call Tracker on your access server.

Configuring MICA In-Band Framing Mode Control Messages

Dial-in Internet connections typically start in character mode to allow the user to log in and select a preferred service. When Cisco IOS software determines that the user wants a framed interface protocol during the call, such as PPP or SLIP, commands are sent to the MICA modem so that it will provide hardware assistance with the framing. This hardware assistance reduces the Cisco IOS processing load. To avoid loss or misinterpretation of framed data during the transition, issue these commands at precise times with respect to the data being sent and received.

MICA modem framing commands can be sent in the data stream itself, which greatly simplifies Cisco IOS tasks in achieving precision timing. For PPP connections, the common way for modems to connect to the Internet, total connect time might typically be improved by 2 to 3 seconds. This functionality reduces timeouts during PPP startup and reduces startup time. If an ASCII banner is sent just before PPP startup, this feature eliminates problems with banner corruption such as truncation and extraneous characters, thus improving the performance of terminal equipment.

In earlier software, the modem interface timing rules were not well understood and were difficult or impossible to implement using the separate command interface of the modem. The practical result is that the MICA in-band framing mode reduces the number of timeouts during PPP startup, and thus reduces startup time. MICA in-band framing is supported on MICA modems in Cisco AS5300 and Cisco AS5800 access servers.

To configure the MICA in-band framing mode control messages, use the following commands beginning in global configuration mode:

	Command	Purpose
Step 1	Router(config)# line <i>line-number</i> [<i>ending-line-number</i>]	Specifies the number of modem lines to configure and enters line configuration mode. If a range is entered, it must be equal to the number of modems in the router.
Step 2	Router(config-line)# no flush-at-activation	Improves PPP and SLIP startup. Normally a router avoids line and modem noise by clearing the initial data received within the first one or two seconds. However, when the autoselect PPP feature is configured, the router flushes characters initially received and then waits for more traffic. This flush causes timeout problems with applications that send only one carriage return.

The Cisco IOS software offers additional interface commands that can be set to control modem interface timing. Refer to the Cisco IOS command references for more information about the interface commands described in the following paragraphs.

When a link goes down and comes back up before the timer set by the **carrier-delay** command expires, the down state is effectively filtered, and the rest of the software on the switch is not aware that a link-down event occurred. Therefore, a large carrier delay timer results in fewer link-up and link-down events being detected. On the other hand, setting the carrier delay time to 0 means that every link-up and link-down event is detected.

When the link protocol goes down (because of loss of synchronization, for example), the interface hardware is reset and the data terminal ready (DTR) signal is held inactive for at least the specified interval. Setting the **pulse-time** command enable pulsing DTR signal intervals on serial interfaces, and is useful for handling encrypting or other similar devices that toggle the DTR signal to resynchronize.

Use the **modem dtr-delay** command to reduce the time that a DTR signal is held down after an asynchronous line clears and before the DTR signal is raised again to accept new calls. Incoming calls may be rejected in heavily loaded systems, even when modems are unused because the default DTR hold-down interval may be too long. The **modem dtr-delay** command is designed for lines used for an unframed asynchronous session such as Telnet. Lines used for a framed asynchronous session such as PPP should use the **pulse-time** interface command.

Enabling Modem Polling

The following example enables modem status polling through the out-of-band feature, which is associated to line 1:

```
Router# configure terminal
Router(config)# line 1
Router(config-line)# modem status-poll
```

Setting Modem Poll Intervals

The following example sets the time interval between polls to 10 seconds using the **modem poll time global** configuration command:

```
Router# configure terminal
Router(config)# modem poll time 10
```

Setting Modem Poll Retry

The following example configures the server to attempt to retrieve statistics from a local modem up to five times before discontinuing the polling effort:

```
Router# configure terminal
Router(config)# modem poll retry 5
```

Collecting Modem Statistics

Depending upon your modem type, the Cisco IOS software provides several **show EXEC** commands that allow you to display or poll various modem statistics. See [Table 2](#) and [Table 3](#) to find the **show EXEC** command appropriate for your modem type and the task you want to perform.

Logging EIA/TIA Events

To facilitate meaningful analysis of the modem log, turn the storage of specific types of EIA/TIA events on or off. To activate or inactivate the storage of a specific type of EIA/TIA modem event for a specific line or set of lines, use either of the following commands in line configuration mode, as needed:

Command	Purpose
<pre>Router(config-line)# modem log {cts dcd dsr dtr ri rs323 rts tst}</pre> <p>or</p> <pre>Router(config-line)# no modem log {cts dcd dsr dtr ri rs323 rts tst}</pre>	<p>Configures the types of EIA/TIA events that are stored in the modem log. The default setting stores no EIA/TIA events.</p> <p>Turns off the logging of a specific type of EIA/TIA event.</p>

Configuring a Microcom Modem to Poll for Statistics

Manageable Microcom modems have an out-of-band feature, which is used for polling modem statistics. To configure the system to poll for modem statistics, use the following commands in global configuration mode:

	Command	Purpose
Step 1	<pre>Router(config)# modem poll time seconds</pre>	Specifies the number of seconds between statistical modem polling for Microcom modems. The default is 12 seconds. The configuration range is from 2 to 120 seconds.
Step 2	<pre>Router(config)# modem poll retry number</pre>	Sets the maximum number of polling attempts to Microcom modems. The default is three polling attempts. The configuration range is from 0 to 10 attempts. ¹
Step 3	<pre>Router(config)# modem status-poll</pre>	Polls for status and statistics for a Microcom modem through the modem's out-of-band feature.
Step 4	<pre>Router(config)# modem buffer-size number</pre>	Defines the number of modem events that each modem is able to store. The default is 100 events for each modem. Use the show modem log command to display modem events.

1. If the number of attempts to retrieve modem status or statistics exceeds the number you define, the out-of-band feature is removed from operation. In this case, you must reset the modem hardware using the **clear modem** command.

Troubleshooting Using a Back-to-Back Modem Test Procedure

You can manually isolate an internal back-to-back connection and data transfer between two modems for focused troubleshooting purposes. For example, if mobile users cannot dial in to modem 2/5 (which is the sixth modem port on the modem board in the second chassis slot), attempt a back-to-back test with modem 2/5 and a modem known to be functioning, such as modem 2/6. You might need to enable this command on several different combinations of modems to determine which one is not functioning properly. A pair of operable modems connect and complete sending data in both directions. An operable modem and an inoperable modem do not connect with each other.

To perform the modem test procedure, enter the **test modem back-to-back** *first-slot/port second-slot/port* command, as follows:

- Step 1** Perform a back-to-back modem test between two normal functioning modems. This example shows a successful connection between modem 1/1 and modem 1/0, which verifies normal operating conditions between these two modems:

```
Router# test modem back-to-back 1/1 1/0
Repetitions (of 10-byte packets) [1]: 10
Router#
%MODEM-5-B2BCONNECT: Modems (1/1) and (1/0) connected in back-to-back test: CONN
ECT9600/REL-MNP
%MODEM-5-B2BMODEMS: Modems (1/0) and (1/1) completed back-to-back test: success/
packets = 20/20
```

After you enter the **test modem back-to-back** command, you must define the number of packets sent between modems at the Repetitions prompt. The ideal range of packets to send and receive is from 1 to 100. The default is 1 packet that is 10 bytes large. The response message (for example, "success/packets = 20/20") tells you how many packets were sent in *both* directions compared to the total number of packets attempted to be sent in both directions. Because the software reports the packet total in both directions, the reported numbers are *two times* the number you originally specify.

When a known good modem is tested against a known bad modem, the back-to-back modem test fails. In the following example, modem 1/3 is suspected or proven to be inoperable or bad:

```
Router# test modem back-to-back 1/1 1/3
Repetitions (of 10-byte packets) [1]: 10
Router#
%MODEM-5-BADMODEMS: Modems (1/3) and (1/1) failed back-to-back test: NOCARRIER
```

- Step 2** You would need to manually mark modem 1/3 as an inoperable or bad modem. You mark the bad modem by determining which line number corresponds with the modem. Use the **show modem 1/3 EXEC** command to verify that TTY line number 4 (shown as TTY4) is used for modem 1/3:

```
Router# show modem 1/3
Mdm Typ Status Tx/Rx G Duration TX RX RTS CTS DSR DCD DTR
1/3 V34 Idle 28800/28800 0 00:00:00 x x x x x
```

```
Modem 1/3, Microcom MNP10 V34 Modem (Managed), TTY4
Firmware (Boot) Rev: 1.0(23) (1.0(5))
Modem config: Incoming and Outgoing
Protocol: reliable/MNP, Compression: V42bis
Management port config: Status polling and AT session
Management port status: Status polling and AT session
TX signals: -15 dBm, RX signals: -17 dBm
```

```
Last clearing of "show modem" counters never
 0 incoming completes, 0 incoming failures
 0 outgoing completes, 0 outgoing failures
 0 failed dial attempts, 0 ring no answers, 1 busied outs
 0 no dial tones, 0 dial timeouts, 0 watchdog timeouts
 0 no carriers, 0 link failures, 0 resets, 0 recover oob
 0 protocol timeouts, 0 protocol errors, 0 lost events
```

Transmit Speed Counters:

Connection Speeds	75	300	600	1200	2400	4800
# of connections	0	0	0	0	0	0
Connection Speeds	7200	9600	12000	14400	16800	19200
# of connections	0	0	0	0	0	0
Connection Speeds	21600	24000	26400	28800	31200	32000

```

# of connections          0          0          0          1          0          0
Connection Speeds        33600      34000      36000      38000      40000      42000
# of connections          0          0          0          0          0          0
Connection Speeds        44000      46000      48000      50000      52000      54000
# of connections          0          0          0          0          0          0
Connection Speeds        56000
# of connections          0

```

- Step 3** Enter line configuration mode and manually remove modem 1/3 from dial services by entering the **modem bad** command on line 4:

```

Router# configure terminal
Router(config)# line 4
Router(config-line)# modem bad
Router(config-line)# exit
Router(config)# exit

```

- Step 4** Enter the **show modem EXEC** command or the **show modem slot/port** command to display the bad modem status.

Bad modems are marked with the letter B in the Mdm column of the **show modem** command display output.

```
Router# show modem
```

```

%SYS-5-CONFIG-I: Configured from console by consolem

```

Mdm	Usage	Inc calls		Out calls		Busied	Failed	No	Succ
		Succ	Fail	Succ	Fail	Out	Dial	Answer	Pct.
1/0	0%	0	0	0	0	1	0	0	0%
1/1	0%	0	0	0	0	3	0	0	0%
1/2	0%	0	0	0	0	1	0	0	0%
B 1/3	0%	0	0	0	0	1	0	0	0%
1/4	0%	0	0	0	0	1	0	0	0%
1/5	0%	0	0	0	0	1	0	0	0%
1/6	0%	0	0	0	0	1	0	0	0%
1/7	0%	0	0	0	0	1	0	0	0%
1/8	0%	0	0	0	0	1	0	0	0%
1/9	0%	0	0	0	0	1	0	0	0%
1/10	0%	0	0	0	0	1	0	0	0%
1/11	0%	0	0	0	0	1	0	0	0%
1/12	0%	0	0	0	0	1	0	0	0%
1/13	0%	0	0	0	0	1	0	0	0%
1/14	0%	0	0	0	0	1	0	0	0%
1/15	0%	0	0	0	0	1	0	0	0%
1/16	0%	0	0	0	0	1	0	0	0%
1/17	0%	0	0	0	0	1	0	0	0%
1/18	0%	0	0	0	0	0	0	0	0%
1/19	0%	0	0	0	0	0	0	0	0%
1/20	0%	0	0	0	0	0	0	0	0%
1/21	0%	0	0	0	0	0	0	0	0%
1/22	0%	0	0	0	0	0	0	0	0%
1/23	0%	0	0	0	0	0	0	0	0%

Malfunctioning modems are also marked as Bad in the Status column of the **show modem slot/port** command display output, as the following example shows:

```
Router# show modem 1/3
```

Mdm	Typ	Status	Tx/Rx	G	Duration	TX	RX	RTS	CTS	DSR	DCD	DTR
1/3	V34	Bad	28800/28800	0	00:00:00			x	x	x	x	x

```

Modem 1/3, Microcom MNP10 V34 Modem (Managed), TTY4
Firmware (Boot) Rev: 1.0(23) (1.0(5))
Modem config: Incoming and Outgoing

```

```

Protocol: reliable/MNP, Compression: V42bis
Management port config: Status polling and AT session
Management port status: Status polling and AT session
TX signals: -15 dBm, RX signals: -17 dBm

```

```

Last clearing of "show modem" counters never
 0 incoming completes, 0 incoming failures
 0 outgoing completes, 0 outgoing failures
 0 failed dial attempts, 0 ring no answers, 1 busied outs
 0 no dial tones, 0 dial timeouts, 0 watchdog timeouts
 0 no carriers, 0 link failures, 0 resets, 0 recover oob
 0 protocol timeouts, 0 protocol errors, 0 lost events

```

Transmit Speed Counters:

Connection Speeds	75	300	600	1200	2400	4800
# of connections	0	0	0	0	0	0
Connection Speeds	7200	9600	12000	14400	16800	19200
# of connections	0	0	0	0	0	0
Connection Speeds	21600	24000	26400	28800	31200	32000
# of connections	0	0	0	1	0	0
Connection Speeds	33600	34000	36000	38000	40000	42000
# of connections	0	0	0	0	0	0
Connection Speeds	44000	46000	48000	50000	52000	54000
# of connections	0	0	0	0	0	0
Connection Speeds	56000					
# of connections	0					

Clearing a Direct Connect Session on a Microcom Modem

The examples in this section are for Microcom modems.

The following example shows how to execute the **modem at-mode** command from a Telnet session:

```
Router# modem at-mode 1/1
```

The following example shows how to execute the **clear modem at-mode** command from a second Telnet session while the first Telnet session is connected to the modem:

```
Router# clear modem at-mode 1/1
clear "modem at-mode" for modem 1/1 [confirm] <press Return>
Router#
```

The following output is displayed in the first Telnet session after the modem is cleared by the second Telnet session:

```
Direct connect session cleared by vty0 (172.19.1.164)
```

Displaying Local Disconnect Reasons

To find out why a modem ended its connection or why a modem is not operating at peak performance, use the **show modem call-stats [slot] EXEC** command.

Disconnect reasons are described using four hexadecimal digits. The three lower-order digits can be used to identify the disconnect reason. The high-order digit generally indicates the type of disconnect reason or the time at which the disconnect occurred. For detailed information on the meaning of hexadecimal values for MICA modem disconnects, refer to the TAC Tech Notes document, *MICA Modem States and Disconnect Reasons*, at the following URL: <http://www.cisco.com/warp/public/76/mica-states-drs.html>

For detailed information on the meaning of hexadecimal values for NextPort modem disconnects, refer to the TAC Tech Notes document, *Interpreting NextPort Disconnect Reason Codes*, at the following URL: http://www.cisco.com/warp/public/471/np_disc_code.html.

Local disconnect reasons are listed across the top of the screen display (for example, wdogTimr, compress, retrain, inacTout, linkFail, moduFail, mnpProto, and lapmProt). In the body of the screen display, the number of times each modem disconnected is displayed (see the # column). For a particular disconnect reason, the % column indicates the percent that a modem was logged for the specified disconnect reason with respect to the entire modem pool for that given reason. For example, out of all the times the rmtLink error occurred on all the modems in the system, the rmtLink error occurred 10 percent of the time on modem 0/22.

Malfunctioning modems are detected by an unusually high number of disconnect counters for a particular disconnect reason. For example, if modem 1/0 had a high number of compression errors compared to the remaining modems in system, modem 1/0 would likely be the inoperable modem.

To reset the counters displayed by the **show modem call-stats** command, enter the **clear modem counters** command.

**Note**

For a complete description of each error field displayed by the commands on this page, refer to the *Cisco IOS Dial Technologies Command Reference*. Remote disconnect reasons are not described by the **show modem** command output.

The following example displays output for the **show modem call-stats** command. Because of the screen size limitation of most terminal screen displays, not all possible disconnect reasons are displayed at one time. Only the top eight most frequently experienced disconnect reasons are displayed at one time.

```
Router# show modem call-stats
```

```
dial-in/dial-out call statistics
```

	lostCarr		dtrDrop		rmtLink		wdogTimr		compress		retrain		inacTout		linkFail	
Mdm	#	%	#	%	#	%	#	%	#	%	#	%	#	%	#	%
* 0/0	6	2	2	3	1	0	0	0	0	0	0	0	0	0	0	0
* 0/1	5	2	2	3	2	1	0	0	0	0	0	0	0	0	0	0
0/2	5	2	2	3	4	3	0	0	0	0	0	0	0	0	0	0
* 0/3	5	2	2	3	2	1	0	0	0	0	0	0	0	0	0	0
* 0/4	5	2	1	1	1	0	0	0	0	0	0	0	0	0	0	0
* 0/5	5	2	2	3	2	1	0	0	0	0	0	0	0	0	0	0
* 0/6	4	1	2	3	2	1	0	0	0	0	0	0	0	0	0	0
* 0/7	4	1	2	3	4	3	0	0	0	0	0	0	0	0	0	0
* 0/8	6	2	1	1	3	2	0	0	0	0	0	0	0	0	0	0
* 0/9	5	2	1	1	1	0	0	0	0	0	0	0	0	0	0	0
* 0/10	5	2	1	1	2	1	0	0	0	0	0	0	0	0	0	0
* 0/11	5	2	1	1	2	1	0	0	0	0	0	0	0	0	0	0
0/12	5	2	2	3	2	1	0	0	0	0	0	0	0	0	0	0
* 0/13	5	2	1	1	1	0	0	0	0	0	0	0	0	0	0	0
* 0/14	5	2	1	1	1	0	0	0	0	0	0	0	0	0	0	0
* 0/15	5	2	1	1	1	0	0	0	0	0	0	0	0	0	0	0
* 0/16	5	2	1	1	1	0	0	0	0	0	0	0	0	0	0	0
* 0/17	5	2	1	1	2	1	0	0	0	0	0	0	0	0	0	0
* 0/18	5	2	1	1	2	1	0	0	0	0	0	0	0	0	0	0
* 0/19	5	2	1	1	3	2	0	0	0	0	0	0	0	0	0	0

* 0/20	5	2	1	1	1	0	0	0	0	0	0	0	0	0	0
* 0/21	5	2	1	1	1	0	0	0	0	0	0	0	0	0	0
* 0/22	5	2	1	1	11	10	0	0	0	0	0	0	0	0	0
* 0/23	5	2	1	1	2	1	0	0	0	0	0	0	0	0	0
* 2/0	4	1	2	3	2	1	0	0	0	0	0	0	0	0	0
* 2/1	5	2	1	1	2	1	0	0	0	0	0	0	0	0	0
* 2/2	5	2	2	3	0	0	0	0	0	0	0	0	0	0	0
* 2/3	5	2	1	1	2	1	0	0	0	0	0	0	0	0	0
* 2/4	5	2	1	1	2	1	0	0	0	0	0	0	0	0	0
* 2/5	5	2	1	1	2	1	0	0	0	0	0	0	0	0	0
* 2/6	4	1	1	1	1	0	0	0	0	0	0	0	0	0	0
* 2/7	5	2	1	1	1	0	0	0	0	0	0	0	0	0	0
* 2/8	5	2	1	1	1	0	0	0	0	0	0	0	0	0	0
* 2/9	4	1	1	1	2	1	0	0	0	0	0	0	0	0	0
* 2/10	5	2	1	1	0	0	0	0	0	0	0	0	0	0	0
* 2/11	5	2	1	1	5	4	0	0	0	0	0	0	0	0	0
* 2/12	5	2	1	1	2	1	0	0	0	0	0	0	0	0	0
* 2/13	5	2	1	1	1	0	0	0	0	0	0	0	0	0	0
* 2/14	5	2	1	1	2	1	0	0	0	0	0	0	0	0	0
* 2/15	4	1	1	1	3	2	0	0	0	0	0	0	0	0	0
* 2/16	4	1	1	1	3	2	0	0	0	0	0	0	0	0	0
* 2/17	5	2	2	3	9	8	0	0	0	0	0	0	0	0	0
* 2/18	4	1	1	1	1	0	0	0	0	0	0	0	0	0	0
* 2/19	3	1	1	1	2	1	0	0	0	0	0	0	0	0	0
* 2/20	7	3	1	1	8	7	0	0	0	0	0	0	0	0	0
* 2/21	5	2	1	1	1	0	0	0	0	0	0	0	0	0	0
* 2/22	4	1	1	1	2	1	0	0	0	0	0	0	0	0	0
* 2/23	5	2	1	1	2	1	0	0	0	0	0	0	0	0	0
Total	233		59		110		0		0		0		0		0

dial-out call statistics

Mdm	noCarr		noDitone		busy		abort		dialStrg		autoLgon		dialTout		rmtHgup	
	#	%	#	%	#	%	#	%	#	%	#	%	#	%	#	%
* 0/0	1	1	0	0	0	0	0	0	0	0	0	0	0	0	0	0
* 0/1	0	0	0	0	0	0	0	0	0	0	0	0	0	0	0	0
0/2	0	0	0	0	0	0	0	0	0	0	0	0	0	0	0	0
* 0/3	1	1	0	0	0	0	0	0	0	0	0	0	0	0	0	0
* 0/4	1	1	0	0	0	0	0	0	0	0	0	0	0	0	0	0
* 0/5	0	0	0	0	0	0	0	0	0	0	0	0	0	0	0	0
* 0/6	1	1	0	0	0	0	0	0	0	0	0	0	0	0	0	0
* 0/7	5	5	0	0	0	0	0	0	0	0	0	0	0	0	0	0
* 0/8	0	0	0	0	0	0	0	0	0	0	0	0	0	0	0	0
* 0/9	1	1	0	0	0	0	0	0	0	0	0	0	0	0	0	0
* 0/10	0	0	0	0	0	0	0	0	0	0	0	0	0	0	0	0
* 0/11	5	5	0	0	0	0	0	0	0	0	0	0	0	0	0	0
0/12	0	0	0	0	0	0	0	0	0	0	0	0	0	0	0	0
* 0/13	0	0	0	0	0	0	0	0	0	0	0	0	0	0	0	0
* 0/14	1	1	0	0	0	0	0	0	0	0	0	0	0	0	0	0
* 0/15	1	1	0	0	0	0	0	0	0	0	0	0	0	0	0	0
* 0/16	2	2	0	0	0	0	0	0	0	0	0	0	0	0	0	0
* 0/17	4	4	0	0	0	0	0	0	0	0	0	0	0	0	0	0
* 0/18	5	5	0	0	0	0	0	0	0	0	0	0	0	0	0	0
* 0/19	1	1	0	0	0	0	0	0	0	0	0	0	0	0	0	0
* 0/20	0	0	0	0	0	0	0	0	0	0	0	0	0	0	0	0
* 0/21	0	0	0	0	0	0	0	0	0	0	0	0	0	0	0	0
* 0/22	5	5	0	0	0	0	0	0	0	0	0	0	0	0	0	0
* 0/23	1	1	0	0	0	0	0	0	0	0	0	0	0	0	0	0
* 2/0	2	2	0	0	0	0	0	0	0	0	0	0	0	0	0	0
* 2/1	3	3	0	0	0	0	0	0	0	0	0	0	0	0	0	0
* 2/2	0	0	0	0	0	0	0	0	0	0	0	0	0	0	0	0
* 2/3	0	0	0	0	0	0	0	0	0	0	0	0	0	0	0	0
* 2/4	0	0	0	0	0	0	0	0	0	0	0	0	0	0	0	0
* 2/5	1	1	0	0	0	0	0	0	0	0	0	0	0	0	0	0

* 2/6	1	1	0	0	0	0	0	0	0	0	0	0	0	0	0	0
* 2/7	4	4	0	0	0	0	0	0	0	0	0	0	0	0	0	0
* 2/8	7	8	0	0	0	0	0	0	0	0	0	0	0	0	0	0
* 2/9	4	1	1	1	2	1	0	0	0	0	0	0	0	0	0	0
* 2/10	1	1	0	0	0	0	0	0	0	0	0	0	0	0	0	0
* 2/11	1	1	0	0	0	0	0	0	0	0	0	0	0	0	0	0
* 2/12	1	1	0	0	0	0	0	0	0	0	0	0	0	0	0	0
* 2/13	1	1	0	0	0	0	0	0	0	0	0	0	0	0	0	0
* 2/14	4	4	0	0	0	0	0	0	0	0	0	0	0	0	0	0
* 2/15	1	1	0	0	0	0	0	0	0	0	0	0	0	0	0	0
* 2/16	1	1	0	0	0	0	0	0	0	0	0	0	0	0	0	0
* 2/17	5	5	0	0	0	0	0	0	0	0	0	0	0	0	0	0
* 2/18	5	5	0	0	0	0	0	0	0	0	0	0	0	0	0	0
* 2/19	3	3	0	0	0	0	0	0	0	0	0	0	0	0	0	0
* 2/20	0	0	0	0	0	0	0	0	0	0	0	0	0	0	0	0
* 2/21	4	4	0	0	0	0	0	0	0	0	0	0	0	0	0	0
* 2/22	2	2	0	0	0	0	0	0	0	0	0	0	0	0	0	0
* 2/23	0	0	0	0	0	0	0	0	0	0	0	0	0	0	0	0
Total	84		0		0		0		0		0		0		0	

Removing Inoperable Modems

To manually remove inoperable modems from dialup services, use the following commands in line configuration mode:

	Command	Purpose
Step 1	Router(config-line)# modem bad	Removes and idles the modem from service and indicates it as suspected or proven to be inoperable.
Step 2	Router(config-line)# modem hold-reset	Resets and isolates the modem hardware for extensive troubleshooting.
Step 3	Router(config-line)# modem shutdown	Abruptly shuts down a modem from dial service.
Step 4	Router(config-line)# modem recovery-time <i>minutes</i>	Sets the maximum amount of time for which the call-switching module waits for a local modem to respond to a request before it is considered locked in a suspended state. The default is 5 minutes.

If you use the **modem bad** command to remove an idle modem from dial services and mark it as inoperable, the letter B is used to identify the modem as bad. The letter B appears in the Status column in the output of **show modem slot/port** command and in the far left column in the output of the **show modem** command. Use the **no modem bad** command to unmark a modem as B and restore it for dialup connection services. If the letter B appears next to a modem number, it means the modem was removed from service with the **modem shutdown** command.



Note

Only idle modems can be marked “bad” by the **modem bad** command. If you want to mark a modem bad that is actively supporting a call, first enter the **modem shutdown** command, then enter the **modem bad** command.

Use the **modem hold-reset** command if a router is experiencing extreme modem behavior (for example, if the modem is uncontrollably dialing in to the network). This command prevents the modem from establishing software relationships such as those created by the **test modem back-to-back** command. The modem is unusable while the **modem hold-reset** command is configured. The **modem hold-reset**

command also resets a modem that is frozen in a suspended state. Disable the suspended modem with the **modem hold-reset** command, and then restart hardware initialization with the **no modem hold-reset** command.

The following example disables a suspended modem and resets its hardware initialization:

```
Router# configure terminal
Router(config)# line 4
Router(config-line)# modem hold-reset
Router(config-line)# no modem hold-reset
```

The following example gracefully disables the modem associated with line 1 from dialing and answering calls. The modem is disabled only after all active calls on the modem are dropped.

```
Router# configure terminal
Router(config)# line 1
Router(config)# modem busyout
```

The following example abruptly shuts down the modem associated with line 2. All active calls on the modem are dropped immediately.

```
Router# configure terminal
Router(config)# line 2
Router(config)# modem shutdown
```

In the following example, the modem using TTY line 3 is actively supporting a call (as indicated by the asterisk). However, we want to mark the modem bad because it has poor connection performance. First, abruptly shut down the modem and drop the call with the **modem shutdown** command, and then enter the **modem bad** command to take the modem out of service.

```
Router# show modem
```

Mdm	Usage	Inc calls		Out calls		Busied Out	Failed Dial	No Answer	Succ Pct.
		Succ	Fail	Succ	Fail				
1/0	37%	98	4	0	0	0	0	0	96%
1/1	38%	98	2	0	0	0	0	0	98%
* 1/2	2%	3	99	0	0	0	0	0	1%
.									
.									
.									

```
Router# configure terminal
Router(config)# line 3
Router(config)# modem shutdown
Router(config)# modem bad
Router(config)# exit
```

```
Router# show modem
```

Mdm	Usage	Inc calls		Out calls		Busied Out	Failed Dial	No Answer	Succ Pct.
		Succ	Fail	Succ	Fail				
1/0	37%	98	4	0	0	0	0	0	96%
1/1	38%	98	2	0	0	0	0	0	98%
B 1/2	2%	3	99	0	0	0	0	0	1%

For more information about modem recovery procedures, refer to TAC Tech Notes *Configuring MICA Modem Recovery* at <http://www.cisco.com/warp/public/76/modem-recovery.html> and *Configuring NextPort SPE Recovery* at <http://www.cisco.com/warp/public/76/spe-recovery.html>.

Busying Out a Modem Card

To busy out a modem card in a Cisco access server, use the following commands beginning in global configuration mode:

	Command	Purpose
Step 1	Router(config)# line <i>shelf/slot/port</i>	Specifies the line number, by specifying the shelf, slot, and port numbers; you must type in the slashes. This command also begins line configuration mode.
Step 2	Router(config-line)# modem busyout	Having specified the modem to be busied out with the line command, enter the modem busyout command to busy out the modem. The command disables the modem associated with line <i>shelf/slot/port</i> from dialing and answering calls. You need not specify a <i>shelf/slot/port</i> number again in this command.
Step 3	Router(config-line)# modem shutdown	Having specified the modem to be shut down with the line command, enter the modem shutdown command to shut down the modem, whether or not it has already been busied out. You need not specify a <i>shelf/slot/port</i> number again in this command because you have already done so with the line command.
Step 4	Router(config-line)# exit	Exits line configuration mode and returns to global configuration mode.
Step 5	Router(config)# modem busyout-threshold <i>number</i>	Specifies a threshold number using the modem busyout-threshold <i>number</i> command to balance the number of DS0s with the number of modem lines. For more information, refer to the <i>Cisco IOS Dial Technologies Command Reference</i> .
Step 6	Router(config)# exit	Exits global configuration mode and returns to privileged EXEC mode.
Step 7	Router# show busyout	From privileged EXEC mode, verifies that the line is busied out. If there are active calls, the software waits until the call terminates before the line is busied out.

The **modem busyout** command disables the modem associated with a specified line from dialing and answering calls. The **modem busyout** command can busy out and eventually terminate all 72 ports on the Cisco AS5800 modem card.

Monitoring Resources on Cisco High-End Access Servers

The following tasks enable you to monitor the network access server (NAS) health conditions at the DS0 level, PRI bearer channel level, and modem level. Performing these tasks will benefit network operation with improved visibility into the line status for the NAS for comprehensive health monitoring and notification capability, and improved troubleshooting and diagnostics for large-scale dial networks.

Perform the following tasks to monitor resource availability on the Cisco high-end access servers:

- [Enabling DS0 Busyout Traps](#)—DS0 busyout traps are generated when there is a request to busy out a DS0, when there is a request to take a DS0 out of busyout mode, or when busyout completes and the DS0 is out-of-service. DS0 busyout traps are generated at the DS0 level for both CAS and ISDN

configured lines. This feature is enabled and disabled through use of the CLI and MIBs. DS0 busyout traps are disabled by default and are supported on Cisco AS5300, Cisco AS5400, and Cisco AS5800 universal access servers.

- **Enabling ISDN PRI Requested Channel Not Available Traps**—ISDN PRI channel not available traps are generated when a requested DS0 channel is not available, or when there is no modem available to take the incoming call. This feature is available only for ISDN PRI interfaces. This feature is enabled and disabled through use of CLI for ISDN traps and the CISCO-ISDN-MIB. ISDN PRI channel not available traps are disabled by default and are supported on the Cisco AS5300, Cisco AS5400, and Cisco AS5800.
- **Enabling Modem Health Traps**—Modem health traps are generated when a modem port is bad, disabled, reflashed, or shut down, or when there is a request to busy out the modem. This feature is enabled and disabled through use of CLI and the CISCO-MODEM-MGMT-MIB. Modem health traps are disabled by default and are supported on the Cisco AS5300, Cisco AS5400, and Cisco AS5800.
- **Enabling DS1 Loopback Traps**—DS1 loopback traps are generated when a DS1 line goes into loopback mode. This feature is enabled and disabled by CLI and the CISCO-POP-MGMT-MIB. DS1 loopback traps are disabled by default and are supported on the Cisco AS5300 and Cisco AS5400 only.

The CISCO-POP-MGMT-MIB supplies the DS0 busyout traps and the DS1 loopback traps. The CISCO-MODEM-MGMT-MIB supplies additional modem health traps when the modem port becomes non-functional. The CISCO-ISDN-MIB supplies additional traps for ISDN PRI channel not available.

To obtain lists of supported MIBs by platform and Cisco IOS release, and to download MIB modules, go to the Cisco MIB website on Cisco.com at <http://www.cisco.com/public/sw-center/netmgmt/cmtk/mibs.shtml>.

See the sections “[Verifying Enabled Traps](#)” and “[Troubleshooting the Traps](#)” to verify and troubleshoot configuration. The section “[NAS Health Monitoring Example](#)” provides output of a configuration with the NAS health monitoring features enabled.

Enabling DS0 Busyout Traps

Before you enable DS0 busyout traps, the SNMP manager must already have been installed on your workstation, and the SNMP agent must be configured on the NAS by entering the **snmp-server community** and **snmp-server host** commands. Refer to the *Cisco IOS Configuration Fundamentals Configuration Guide* for more information on these commands.

To generate DS0 busyout traps, use the following command in global configuration mode:

Command	Purpose
Router(config)# snmp-server enable traps ds0-busyout	Generates a trap when there is a request to busy out a DS0 or to indicate when busyout finishes.

Enabling ISDN PRI Requested Channel Not Available Traps

To generate ISDN PRI requested channel not available traps, use the following command in global configuration mode:

Command	Purpose
Router(config)# snmp-server enable traps isdn chan-not-avail	Generates a trap when the NAS rejects an incoming call on an ISDN PRI interface because the channel is not available.

Enabling Modem Health Traps

To generate modem health traps, use the following command in global configuration mode:

Command	Purpose
Router(config)# snmp-server enable traps modem-health	Generates a trap when a modem port is bad, disabled, or prepared for firmware download; when download fails; when placed in loopback mode for maintenance; or when there is a request to busy out the modem.

Enabling DS1 Loopback Traps

To generate DS1 loopback traps, use the following command in global configuration mode:

Command	Purpose
Router(config)# snmp-server enable traps ds1-loopback	Generates a trap when the DS1 line goes into loopback mode.

Verifying Enabled Traps

To verify that the traps are enabled, use the **show run** command. The following output indicates that all the traps are enabled:

```
Router(config)# show run

snmp-server enable traps ds0-busyout
snmp-server enable traps isdn chan-not-avail
snmp-server enable traps modem-health
snmp-server enable traps ds1-loopback
```

Additionally, you can use the **show controllers** command with the **timeslots** keyword to display details about the channel state. This feature shows whether the DS0 channels of a particular controller are in idle, in-service, maintenance, or busyout state. This enhancement applies to both CAS and ISDN PRI interfaces and is supported on the Cisco AS5300 and Cisco AS5400 only.

Troubleshooting the Traps

To troubleshoot the traps, turn on the debug switch for SNMP packets by entering the following command in privileged EXEC mode:

```
Router# debug snmp packets
```

Check the resulting output to see that the SNMP trap information packet is being sent. The output will vary based on the kind of packet sent or received:

```
SNMP: Packet received via UDP from 10.5.4.1 on Ethernet0
```

```

SNMP: Get-next request, reqid 23584, errstat 0, erridx 0
sysUpTime = NULL TYPE/VALUE
system.1 = NULL TYPE/VALUE
system.6 = NULL TYPE/VALUE
SNMP: Response, reqid 23584, errstat 0, erridx 0
sysUpTime.0 = 2217027
system.1.0 = Cisco Internetwork Operating System Software
system.6.0 =
SNMP: Packet sent via UDP to 10.5.4.1

```

You can also use trap monitoring and logging tools like `snmptrapd`, with debugging flags turned on, to monitor output.

NAS Health Monitoring Example

The following is sample configuration output showing all NAS health monitoring traps turned on:

Building configuration...

```

Current configuration:
! Last configuration change at 12:27:30 pacific Thu May 25 2000
version xx.x
service timestamps debug uptime
service timestamps log uptime
no service password-encryption
!
hostname router
!
aaa new-model
aaa authentication ppp default group radius
enable password <password>
!
spe 1/0 1/7
firmware location system:/ucode/mica_port_firmware
spe 2/0 2/7
firmware location system:/ucode/mica_port_firmware
!
resource-pool disable
!
clock timezone PDT -8
clock calendar-valid
no modem fast-answer
modem country mica usa
modem link-info poll time 60
modem buffer-size 300
ip subnet-zero
!
isdn switch-type primary-5ess
isdn voice-call-failure 0
!
controller T1 0
framing esf
clock source line primary
linecode b8zs
pri-group timeslots 1-24
!
controller T1 1
framing esf
linecode b8zs
ds0-group 0 timeslots 1-24 type e&m-fgb
cas-custom 0
!

```

```
controller T1 2
 shutdown
  clock source line secondary 2
!
controller T1 3
 shutdown
  clock source line secondary 3
!
controller T1 4
 shutdown
  clock source line secondary 4
!
controller T1 5
 shutdown
  clock source line secondary 5
!
controller T1 6
 shutdown
  clock source line secondary 6
!
controller T1 7
 shutdown
  clock source line secondary 7
!
interface Loopback0
 ip address 10.5.4.1
!
interface Ethernet0
 no ip address
 shutdown
!
interface Serial0
 no ip address
 shutdown
!
interface Serial1
 no ip address
 shutdown
!
interface Serial2
 no ip address
 shutdown
!
interface Serial3
 no ip address
 shutdown
!
interface Serial0:23
 no ip address
 ip mroute-cache
 isdn switch-type primary-5ess
 isdn incoming-voice modem
 no cdp enable
!
interface FastEthernet0
 ip address 10.5.4.1
 duplex full
 speed auto
 no cdp enable
!
interface Group-Async1
 ip unnumbered FastEthernet0
 encapsulation ppp
 ip tcp header-compression passive
```



```
no ip mroute-cache
async mode interactive
peer default ip address pool swattest
no fair-queue
ppp authentication chap
ppp multilink
group-range 1 192
!
interface Dialer1
 ip unnumbered FastEthernet0
 encapsulation ppp
 ip tcp header-compression passive
 dialer-group 1
 peer default ip address pool swattest
 pulse-time 0
 no cdp enable
!
ip local pool swattest 10.5.4.1
ip default-gateway 10.5.4.1
ip classless
!
dialer-list 1 protocol ip permit
snmp-server engineID local 00000009020000D058890CF0
snmp-server community public RO
snmp-server packetsize 2048
snmp-server enable traps ds0-busyout
snmp-server enable traps isdn chan-not-avail
snmp-server enable traps modem-health
snmp-server enable traps dsl-loopback
snmp-server host 10.5.4.1 public
!
radius-server host 10.5.4.1 auth-port 1645 acct-port 1646
radius-server retransmit 3
radius-server key <password>
!
line con 0
 transport input none
line 1 192
 autoselect ppp
 modem InOut
 transport preferred none
 transport input all
 transport output none
line aux 0
line vty 0 4
end
```

Configuration Examples for Modem Management

This section provides the following examples:

- [NextPort Modem Log Example](#)
- [Modem Performance Summary Example](#)
- [Modem AT-Mode Example](#)
- [Connection Speed Performance Verification Example](#)

For additional information and examples about the commands in this chapter, refer to the *Cisco IOS Dial Technologies Command Reference*.

NextPort Modem Log Example

The following is partial sample output for the Cisco AS5400 with the NextPort Distributed forwarding Card (DFC). This example shows the port history event log for slot 5, port 47:

```
Router# show port modem log 5/47
```

```
Port 5/47 Events Log
  Service type: DATA_FAX_MODEM
  Service mode: DATA_FAX_MODEM
  Session State: IDLE
00:02:23: incoming called number: 35160
  Service type: DATA_FAX_MODEM
  Service mode: DATA_FAX_MODEM
  Session State: IDLE
  Service type: DATA_FAX_MODEM
  Service mode: DATA_FAX_MODEM
  Session State: ACTIVE
00:02:23: Modem State event:
      State: Connect
00:02:16: Modem State event:
      State: Link
00:02:13: Modem State event:
      State: Train Up
00:02:05: Modem State event:
      State: EC Negotiating
00:02:05: Modem State event:
      State: Steady
00:02:05: Modem Static event:
  Connect Protocol           : LAP-M
  Compression                : V.42bis
  Connected Standard         : V.34+
  TX,RX Symbol Rate         : 3429, 3429
  TX,RX Carrier Frequency   : 1959, 1959
  TX,RX Trellis Coding       : 16/16
  Frequency Offset           : 0 Hz
  Round Trip Delay           : 0 msec
  TX,RX Bit Rate             : 33600, 33600
  Robbed Bit Signalling (RBS) pattern : 0
  Digital Pad                 : None
  Digital Pad Compensation   : None
  4 bytes of link info not formatted : 0x00 0x00 0x00 0x00 0x00
00:02:06:Modem Dynamic event:
  Sq Value                    : 5
  Signal Noise Ratio          : 40 dB
  Receive Level               : -12 dBm
  Phase Jitter Frequency     : 0 Hz
  Phase Jitter Level         : 2 degrees
  Far End Echo Level         : -90 dBm
  Phase Roll                  : 0 degrees
  Total Retrans               : 0
  EC Retransmission Count    : 0
  Characters transmitted, received : 0, 0
  Characters received BAD    : 0
  PPP/SLIP packets transmitted, received : 0, 0
  PPP/SLIP packets received (BAD/ABORTED) : 0
  EC packets transmitted, received OK : 0, 0
  EC packets (Received BAD/ABORTED) : 0
```

Modem Performance Summary Example

You can display a high level summary of the performance of a modem with the **show modem summary** command:

```
Router# show modem summary
```

	Incoming calls			Outgoing calls			Busied	Failed	No	Succ
Usage	Succ	Fail	Avail	Succ	Fail	Avail	Out	Dial	Ans	Pct.
14%	2489	123	15	0	0	15	0	3	3	95%

Modem AT-Mode Example

The following example shows that modem 1/1 has one open AT directly connected session:

```
Router# show modem at-mode
```

```
Active AT-MODE management sessions:
Modem      User's Terminal
1/1 0 cty 0
```

Connection Speed Performance Verification Example

Making sure that your modems are connecting at the correct connection speeds is an important aspect of managing modems. The **show modem connect-speeds** and **show modem** commands provide performance information that allow you to investigate possible inoperable or corrupt modems or T1/E1 lines. For example, suppose you have an access server that is fully populated with V.34 modems. If you notice that modem 1/0 is getting V.34 connections only 50 percent of the time, whereas all the other modems are getting V.34 connections 80 percent of the time, then modem 1/0 is probably malfunctioning. If you are reading low connection speeds across all the modems, you may have a faulty channelized T1 or ISDN PRI line connection.

To display connection speed information for all modems that are running in your system, use the **show modem connect-speeds max-speed EXEC** command. Because most terminal screens are not wide enough to display the entire range of connection speeds at one time (for example, 75 to 56,000 bps), the *max-speed* argument is used. This argument specifies the contents of a shifting baud-rate window, which provides you with a snapshot of the modem connection speeds for your system. Replace the *max-speed* argument with the maximum connect speed that you want to display. You can specify from 12,000 to 56,000 bps. If you are interested in viewing a snapshot of lower baud rates, specify a lower connection speed. If you are interested in displaying a snapshot of higher rates, specify a higher connection speed.

The following example displays connection speed information for modems running up to 33,600 bps:

```
Router# show modem connect-speeds 33600
```

```
transmit connect speeds
```

Mdm	14400	16800	19200	21600	24000	26400	28800	31200	33600	TotCnt
* 0/0	0	0	0	0	0	0	4	4	1	9
* 0/1	2	0	0	0	0	0	3	3	1	9
0/2	2	0	0	0	0	1	2	4	1	10
* 0/3	0	0	0	1	0	0	3	4	1	9
* 0/4	1	0	0	0	0	2	2	1	1	7
* 0/5	0	0	0	0	0	0	4	4	1	9
* 0/6	0	0	0	0	0	1	3	3	1	8
* 0/7	0	0	0	2	0	0	4	3	1	10
* 0/8	2	0	0	0	0	0	3	4	1	10

Configuration Examples for Modem Management

* 0/9	0	0	0	0	0	0	4	3	0	7
* 0/10	1	0	0	0	0	1	3	2	1	8
* 0/11	0	0	0	0	0	0	4	3	1	8
0/12	1	0	0	0	0	0	4	2	1	8
* 0/13	0	0	0	0	0	0	4	2	1	7
* 0/14	1	0	0	0	0	1	2	2	1	7
* 0/15	0	0	0	0	0	0	4	2	1	7
* 0/16	0	0	0	1	0	0	3	2	1	7
* 0/17	1	0	0	0	0	0	4	2	1	8
* 0/18	1	0	0	0	0	0	3	3	1	8
* 0/19	0	0	0	0	0	0	5	3	1	9
* 0/20	0	0	0	0	0	0	4	2	1	7
* 0/21	1	0	0	0	0	0	4	2	0	7
* 0/22	0	0	0	0	0	0	7	9	1	17
* 0/23	0	0	0	0	0	2	2	3	1	8
* 2/0	0	0	0	1	0	0	3	3	1	8
* 2/1	0	0	0	0	0	0	5	2	1	8
* 2/2	0	0	0	1	0	0	4	1	1	7
* 2/3	1	0	0	0	0	0	4	2	1	8
* 2/4	0	0	0	0	0	0	5	2	1	8
* 2/5	0	0	0	0	0	0	4	3	1	8
* 2/6	0	0	0	0	0	0	3	2	1	6
* 2/7	1	0	0	0	0	1	3	2	0	7
* 2/8	1	0	0	0	0	0	3	2	1	7
* 2/9	0	0	0	0	0	1	3	2	1	7
* 2/10	2	0	0	0	0	2	1	0	1	6
* 2/11	0	0	0	1	0	1	3	5	1	11
* 2/12	0	0	0	0	0	0	5	2	1	8
* 2/13	1	0	0	0	0	0	5	0	1	7
* 2/14	1	0	0	0	0	0	3	3	1	8
* 2/15	1	0	0	0	0	1	2	3	1	8
* 2/16	0	0	0	0	0	0	4	3	1	8
* 2/17	0	0	0	0	0	0	5	11	0	16
* 2/18	0	0	0	1	0	1	1	2	1	6
* 2/19	0	0	0	0	0	0	2	3	1	6
* 2/20	1	0	0	0	0	2	3	9	1	16
* 2/21	1	0	0	0	0	0	4	1	1	7
* 2/22	0	0	0	1	0	0	2	3	1	7
* 2/23	0	0	0	0	0	1	3	3	1	8
Tot	23	0	0	9	0	18	165	141	44	400
Tot %	5	0	0	2	0	4	41	35	11	

receive connect speeds

Mdm	14400	16800	19200	21600	24000	26400	28800	31200	33600	TotCnt
* 0/0	0	0	0	0	0	4	1	3	1	9
* 0/1	2	0	0	0	0	3	1	2	1	9
0/2	2	0	0	0	0	3	1	3	1	10
* 0/3	0	0	0	1	0	3	4	0	1	9
* 0/4	1	0	0	0	0	4	0	1	1	7
* 0/5	0	0	0	0	0	4	3	1	1	9
* 0/6	0	0	0	0	0	4	0	3	1	8
* 0/7	0	0	0	2	0	4	1	2	1	10
* 0/8	2	0	0	0	0	3	0	5	0	10
* 0/9	0	0	0	0	0	4	2	0	1	7
* 0/10	1	0	0	0	0	4	0	2	1	8
* 0/11	0	0	0	0	0	4	0	3	1	8
0/12	1	0	0	0	0	2	2	2	1	8
* 0/13	0	0	0	0	0	4	1	1	1	7
* 0/14	1	0	0	0	0	2	3	0	1	7
* 0/15	0	0	0	0	0	4	1	1	1	7
* 0/16	0	0	0	1	0	3	2	0	1	7
* 0/17	1	0	0	0	0	4	1	1	1	8
* 0/18	1	0	0	0	0	3	2	1	1	8

* 0/19	0	0	0	0	0	5	1	2	1	9
* 0/20	0	0	0	0	0	4	0	3	0	7
* 0/21	1	0	0	0	0	4	0	1	1	7
* 0/22	0	0	0	0	0	6	6	4	1	17
* 0/23	0	0	0	0	0	4	2	1	1	8
* 2/0	0	0	0	1	0	3	1	2	1	8
* 2/1	0	0	0	0	0	3	3	1	1	8
* 2/2	0	0	0	1	0	4	0	1	1	7
* 2/3	1	0	0	0	0	3	2	1	1	8
* 2/4	0	0	0	0	0	4	2	1	1	8
* 2/5	0	0	0	0	0	4	1	2	1	8
* 2/6	0	0	0	0	0	3	0	3	0	6
* 2/7	1	0	0	0	1	2	2	0	1	7
* 2/8	1	0	0	0	0	3	0	2	1	7
* 2/9	0	0	0	0	0	4	1	1	1	7
* 2/10	2	0	0	0	0	3	0	0	1	6
* 2/11	0	0	0	1	0	3	1	5	1	11
* 2/12	0	0	0	0	0	4	3	0	1	8
* 2/13	1	0	0	0	0	2	3	0	1	7
* 2/14	1	0	0	0	0	3	2	1	1	8
* 2/15	1	0	0	0	0	3	0	3	1	8
* 2/16	0	0	0	0	0	4	0	4	0	8
* 2/17	0	0	0	0	0	5	2	8	1	16
* 2/18	0	0	1	0	0	2	1	1	1	6
* 2/19	0	0	0	0	0	2	2	1	1	6
* 2/20	1	0	0	0	0	4	2	8	1	16
* 2/21	1	0	0	0	0	4	0	1	1	7
* 2/22	0	0	1	0	0	2	0	3	1	7
* 2/23	0	0	0	0	0	4	2	1	1	8
Tot	23	0	2	7	1	167	64	92	44	400
Tot %	5	0	0	1	0	41	16	23	11	

Cisco and the Cisco Logo are trademarks of Cisco Systems, Inc. and/or its affiliates in the U.S. and other countries. A listing of Cisco's trademarks can be found at www.cisco.com/go/trademarks. Third party trademarks mentioned are the property of their respective owners. The use of the word partner does not imply a partnership relationship between Cisco and any other company. (1005R)

Any Internet Protocol (IP) addresses and phone numbers used in this document are not intended to be actual addresses and phone numbers. Any examples, command display output, network topology diagrams, and other figures included in the document are shown for illustrative purposes only. Any use of actual IP addresses or phone numbers in illustrative content is unintentional and coincidental.

© 2001–2009 Cisco Systems, Inc. All rights reserved.



1- and 2-Port V.90 Modem WICs for Cisco 2600 and Cisco 3600 Series Multiservice Platforms

Feature History

Release	Description
12.2(2)XB	This feature was introduced.
12.2(8)T	This feature was integrated into the Cisco IOS Release 12.2(8)T.

The 1- and 2-port V.90 modem WAN interface cards (WICs) for Cisco 2600 and 3600 series multiservice platforms provide low-density integrated modems to satisfy the market demand for remote management, dial-backup, and low-density remote-access servers (RAS).

This document describes the 1-port and 2-port V.90 modem WIC feature and contains the following sections:

- [Feature Overview, page 211](#)
- [Supported Platforms, page 214](#)
- [Supported Standards, MIBs, and RFCs, page 214](#)
- [Configuration Tasks, page 214](#)
- [Command Reference, page 219](#)
- [Glossary, page 220](#)

Feature Overview

Three applications are available for the V.90 modem WIC on the Cisco 2600 and Cisco 3600 series multiservice platforms:



Remote Router Management and Out-of-Band Access

In this mode, the modem WIC is used as a dial-in modem for remote terminal access to the router's command-line interface (CLI) for configuration, troubleshooting, and monitoring. The modem WIC acts similar to a modem that is connected to the AUX port of a router, but the integrated nature of the modem WIC greatly decreases customer configuration time and deployment and sustaining costs. Typically, the 1-port modem WIC is used for this application. Connection speeds of up to 33.6 kbps are possible.

Asynchronous Dial-on-Demand Routing and Dial-Backup

In this mode, the V.90 modem WIC transports network traffic. When ISDN service is not available and the traffic load does not justify a leased-line or Frame Relay connection, asynchronous dial-on-demand routing (DDR) is often the only choice for making a WAN connection. Even at sites that do have leased-line or Frame Relay connection, asynchronous DDR can increase bandwidth during sustained traffic load. In addition, when the primary leased-line or Frame Relay link is down during an outage, asynchronous dial-backup provides a secondary way to make the WAN connection. Both the 1-port and 2-port versions of the V.90 modem WIC can be used for this application.

For more information on Asynchronous Dial-on-Demand Routing and Dial-Backup, please see the document, *Configuring Dial Backup for Serial Lines*:

http://cisco.com/en/US/docs/ios/dial/configuration/guide/dia_preparing_ddr.html

Two ports on one modem WIC (or even three or more ports spanning multiple modem WIC cards) can be combined using Multilink PPP (MLP) to increase connection speeds in a scalar manner. Each connection is capable of V.90 speeds (up to 56 kbps) when connecting to a digital V.90 server modem.

For more information on MLP, please see the document, *Multilink PPP for DDR—Basic Configuration and Verification*:

<http://www.cisco.com/warp/public/131/mppp-ddr.html>

Low-Density Analog RAS Access

In this application, the V.90 modem WIC enables the platform to provide the services of a typical small remote access server (RAS). One service allows remote users to dial in and gain access to resources on the LAN (or even across the WAN). The analog modems in the modem WIC allow dial-in connection speeds of up to 33.6 kbps, but MLP can bind multiple links together and increase the throughput.

Another service allows PCs (running Cisco DialOut Utility) on the LAN to use the modems for dial-out. Users can connect to other modems (bulletin boards, AOL, ISPs, and so on) or fax machines. The modem WIC allows dial-out connection speeds of up to 56 kbps when dialing a digital V.90 server modem or up to 33.6 kbps when dialing another analog modem. Fax calls connect at up to 14.4 kbps.

Typical RAS deployments with the V.90 modem WIC use the 2-port modem version. With enough slots, the V.90 modem WIC can be used to scale to up to 24 modems in a Cisco 3660 multiservice platform.

There is no limit for lines in the MLP bundle with WICs and population of WICs on any Cisco 2600 series or Cisco 3600 series multiservices platforms.

Benefits

The 1-port and 2-port V.90 modem WIC feature provides the following benefits:

- Integrated solution for ease of deployment

- Improved remote management
- Cost-effective alternative to leased lines or ISDN

Restrictions

Platform Memory Requirements

- Cisco 2600 ip —8M Flash, 32M DRAMM.
- Cisco 3620 ip plus—16M Flash, 48M DRAMM.
- Cisco 3620 enterprise—16M Flash, 64M DRAMM.
- Cisco 3640 ip plus—16M Flash, 64M DRAMM.
- Cisco 3640 enterprise—16M Flash, 64M DRAMM.
- Cisco 3660 ip plus—16M Flash and 64M DRAMM.
- Cisco 3660 enterprise—16M Flash and 64M DRAMM.



Caution

Ensure that the RJ-11/CA11 telephone cable is disconnected from the modem WIC *before* installing or removing the modem WIC from the router. The phone jack can have DC potential (up to 56.5 VDC) and can have ring signal (up to 150 VAC) in the United States.



Caution

Ensure that the router is powered *OFF* before installing or removing the modem WIC from the router. The modem WICs do *not* support online insertion and removal (hot-swap).

Other than some currently unsupported commands, the V.90 modem WIC supports all commands available for modem WICs as described in the *Cisco IOS Wide Area Networking Configuration Guide* and the *Cisco WAN Interface Cards Installation and Configuration Guide*. For troubleshooting and verification, use only the following commands:

```
clear modem [counters][ slot/modem # | group group # | all ]
```

```
debug modem
```

```
show modem slot/modem#
```

Related Features and Technologies

For general and specific information on wide-area networking, see the following documents:

- *Cisco IOS Wide-Area Networking Configuration Guide, Release 12.2*
http://www.cisco.com/univercd/cc/td/doc/product/software/ios122/122cgcr/fwan_c/index.htm
- *Cisco IOS Wide-Area Networking Command Reference, Release 12.2*
http://www.cisco.com/univercd/cc/td/doc/product/software/ios122/122cgcr/fwan_r/index.htm

Related Documents

- *WAN Interface Cards Hardware Installation Guide*
http://www.cisco.com/univercd/cc/td/doc/product/access/acs_mod/cis3600/wan_mod/index.htm
- *Modem-Router Connection Guide*
<http://www.cisco.com/warp/public/76/9.html>
- *Cisco 3600-Series Router Configurations*
http://www.cisco.com/warp/public/793/access_dial/3600_index.html
- *Cisco IOS Dial Services Quick Configuration Guide*
<http://www.cisco.com/univercd/cc/td/doc/product/software/ios121/121sup/121dsqcg/index.htm>

Supported Platforms

The following Cisco multiservice platforms are supported for the Cisco IOS Release 12.2(8)T:

- Cisco 2600 series
- Cisco 3600 series

Supported Standards, MIBs, and RFCs

Standards

No new or modified standards are supported by this feature.

MIBs

No new or modified MIBs are supported by this feature.

To obtain lists of MIBs supported by platform and Cisco IOS release and to download MIB modules, go to the Cisco MIB web site on Cisco Connection Online (CCO) at <http://www.cisco.com/public/sw-center/netmgmt/cmtk/mibs.shtml>.

RFCs

No new or modified RFCs are supported by this feature.

Configuration Tasks

Configuration tasks required for setting up the modem WIC for proper operation are:

- [Asynchronous Interface Configuration](#)
- [Line Configuration](#)

Asynchronous Interface Configuration

To configure the asynchronous interface on the V.90 modem WIC, use the following commands, starting in global configuration mode:

	Command	Purpose
Step 1	Router(config)# interface asynchronous <i>number</i>	Enters the interface configuration mode for the asynchronous serial interface. Enter the number of the interface you want to configure.
Step 2	Router(config-if)# ip unnumbered <i>type number</i>	Conserves IP addresses by configuring the asynchronous interface as unnumbered, and assigns the IP address of the interface type that you want to leverage.
Step 3	Router(config-if)# encapsulation ppp	Sets the encapsulation protocol for Point-to-Point Protocol (PPP).
Step 4	Router(config-if)# dialer in-band [no-parity odd-parity]	Specifies that dial-on-demand routing (DDR) is to be supported. This command specifies that chat scripts will be used on asynchronous interfaces. The parity keywords do not apply to asynchronous interfaces.
Step 5	Router(config-if)# dialer string <i>number</i>	Enters the dialer string (telephone) number.
Step 6	Router(config-if)# dialer-group <i>group-number</i>	Controls access by configuring the interface to belong to a specific dialing group. The number to which the dialer access group belongs is defined with the dialer-list command. Acceptable values are within the range from 1 to 10.
Step 7	Router(config-if)# asynchronous mode interactive	Configures interactive mode on the asynchronous interface.
Step 8	Router(config-if)# peer default ip address pool <i>poolname</i>	Assigns dial-in clients IP addresses from an address pool. To create an IP address pool, use the ip local pool global configuration command.

Example:

```
Router(config)# interface asyn 33
Router(config-if)# ip unnumbered f0/0
Router(config-if)# encapsulation ppp
Router(config-if)# dialer in-band
Router(config-if)# dialer string 14085551234
Router(config-if)# dialer-group 1
Router(config-if)# asyn mode interactive
Router(config-if)# peer default ip address pool pool123
```



Note

pool123 is a name chosen for the pool used for defining the range of IP addresses for remote clients.

Line Configuration

To configure the line on the V.90 modem WIC, use the following commands, starting in global configuration mode:

	Command	Purpose
Step 1	Router(config)# interface asynchronous <i>number</i>	Enters the interface configuration mode for the asynchronous serial interface. Enter the number of the interface you want to configure.
Step 2	Router(config-if)# line <i>number</i>	Enters interface mode line configuration submenu. Note The number entered here must be the same as the number entered for the asynchronous serial interface when the interface configuration mode was first entered.
Step 3	Router(config-line)# modem inout	Configures the line for both incoming and outgoing calls.
Step 4	Router(config-line)# autoselect { arap ppp slip during login }	Configures the line to automatically start an ARA, PPP, or SLIP session. For this feature, ppp is recommended.
Step 5	Router(config-line)# transport input { all lat mop nasi none pad rlogin telnet v120 }	Defines which protocols can be used to connect to the line. For this feature, all is recommended.

Example:

```
Router(config-if)# line 33
Router(config-line)# modem inout
Router(config-line)# autoselect ppp
Router(config-line)# transport input all
```

Alternative Configurations for the Modem WIC

Configuring the Group Asynchronous Interface

```
interface Group-Async1
 ip address negotiated
 no ip directed-broadcast
 encapsulation ppp
 dialer in-band
 dialer idle-timeout 512 either
 dialer-group 1
 async default routing
 async mode dedicated
 no peer default ip address
 no fair-queue
 no cdp enable
 ppp authentication chap
 group-range 33 34
 hold-queue 10 in
```

Configuring the Dialer List

```
dialer-list 1 protocol ip permit
```

Configuring the Line

```
line 97 112
 exec-timeout 0 0
 autoselect ppp
 script dialer dial
 login local
 modem InOut
 transport input all
 stopbits 1
 flowcontrol hardware
```

Configuring the Dialer Interface

```
interface Dialer1
 ip address 199.0.1.2 255.255.255.0
 no ip redirects
 no ip directed-broadcast
 no ip proxy-arp
 encapsulation ppp
 load-interval 30
 dialer remote-name dl
 dialer pool 1
 dialer idle-timeout 7200 either
 dialer-group 1
 no fair-queue
 pulse-time 0
 no cdp enable
```

Configuring for Asynchronous Dial Backup

The following example shows an asynchronous dial backup configuration:

```
interface Serial2/0
 ip address 70.1.1.2 255.255.255.0
 backup delay 15 15
 backup interface as33

interface Async33
 ip address 51.1.1.2 255.255.255.0
 encapsulation ppp
 dialer in-band
 dialer map ip 51.1.1.1 name m1_2621_33 modem-script cisco-default 101
 dialer-group 1
 ppp authentication chap
 async mode interactive
!
router eigrp 100
 redistribute static
 network 10.0.0.0
 network 70.0.0.0
!
ip route 10.0.0.0 255.0.0.0 51.1.1.2 180
!/very important/
```

```

line 33
  autoselect ppp
  modem InOut
  flowcontrol hardware
transport input all

```

In this example, the interface S2/0 is configured as a primary link. Configuring the route through the backup interface (the V.90 modem WIC in this case) is very important. 10.0.0.0 in the IP route indicates the network number of the remote end. Thus, all packets for the destination IP are routed through the backup link if the primary link goes down. The 180 in the route command indicates the cost of the route taken (It should be more than the cost of the primary route). This avoids the packets taking the backup link when the primary link is up.

Verifying the V.90 Modem WIC Configuration

Shown below are a few of the many commands that can be used to verify, monitor, and troubleshoot the V.90 modem WIC. Other commands are described in the [Related Documents](#).

The **show interface async [tty-number]** command shows the state of the specified asynchronous interface.

Example:

```

3640-Router# show interfaces async 1
Async 1 is up, line protocol is up
  Hardware is Conexant modem
Internet address is 1.0.0.1, subnet mask is 255.0.0.0
MTU 1500 bytes, BW 9 Kbit, DLY 100000 usec, rely 255/255, load 56/255
Encapsulation ppp, keepalive set (0 sec)
Last input 0:00:03, output 0:00:03, output hang never
Last clearing of "show interface" counters never
Output queue 0/3, 2 drops; input queue 0/0, 0 drops
Five minute input rate 0 bits/sec, 1 packets/sec
Five minute output rate 2000 bits/sec, 1 packets/sec
273 packets input, 13925 bytes, 0 no buffer
Received 0 broadcasts, 0 runts, 0 giants
0 input errors, 0 CRC, 0 frame, 0 overrun, 0 ignored, 0 abort
221 packets output, 41376 bytes, 0 underruns
0 output errors, 0 collisions, 0 interface resets, 0 restarts
0 carrier transitions

```

The **show modem [slot/port | group number]** command shows various performance statistics for a modem or group of modems.

Example:

```

3640-Router# show modem 1/0
Mdm Typ Status Tx/Rx G Duration TX RX RTS CTS DSR DCD DTR
1/0 V34 Idle 33600 /33600 0 00:02:41 - - x x - x

Modem 1/0 [line 33], Async33, TTY33
SCM firmware P2109-V90
Modem config:Incoming and Outgoing
Protocol:LAPM, Compression:V42B
  Last clearing of "show modem" counters:00:24:52
    2 incoming complete
    0 incoming failures
    0 outgoing complete
    1 outgoing failure
Modulation type V34
# of connections 1

```

```
Protocol type          LAPM
# of connections      1
Transmit Speed Counters:
Connection Speeds    33600
# of connections      1
Receive Speed Counters:
Connection Speeds    33600
# of connections      1
```

Troubleshooting the V.90 Modem WIC Operation

To aid in troubleshooting the V.90 modem WIC operation, use the **debug modem** command, as shown in the following example:

[no] debug modem

This command shows the state of the tty lines.

Example:

```
00:05:04:TTY1:dropping DTR, hanging up
00:05:04:TTY1:Async Int reset:Dropping DTR
00:05:04:tty1:Modem:HANGUP->(unknown)cpm_modem_interrupt_handler

00:05:05:TTY1:cleanup pending. Delaying DTR
00:05:05:TTY1:cleanup pending. Delaying DTR
00:05:06:TTY1:cleanup pending. Delaying DTR
00:05:06:TTY1:cleanup pending. Delaying DTR
00:05:06:%LINK-5-CHANGED:Interface Async1, changed state to reset
00:05:07:TTY1:cleanup pending. Delaying DTR
00:05:07:TTY1:cleanup pending. Delaying DTR
00:05:07:%LINEPROTO-5-UPDOWN:Line protocol on Interface Async1,
changed state to down
00:05:08:TTY1:cleanup pending. Delaying DTR
00:05:08:TTY1:cleanup pending. Delaying DTR
```

Command Reference

This feature uses no new or modified commands. For information about all Cisco IOS commands, go to the Command Lookup Tool at <http://tools.cisco.com/Support/CLILookup> or to the *Cisco IOS Master Commands List*.

Glossary

- baud rate**—bits per second data rate of an asynchronous interface.
- DDR**—dial-on-demand routing. Also known as direct data routing or dial-up routing (PPP or IP).
- DRAMM**—Dynamic Random Access Memory Module.
- DS0**—A single 64 kbps channel of a T1 span.
- DSP**—digital signal processor.
- DSPM**—digital signal processing module—voice module card.
- IOS**—Internet Operating System.
- ISDN**—Integrated Services Digital Network.
- NM**—network module.
- MAR**—modular access router.
- MLP**—Multilink PPP.
- OIR**—Online insertion and removal (hot swap).
- POTS**—Plain old telephone service.
- PPP**—Point-to-Point Protocol.
- PSTN**—Public Switched Telephone Network.
- RAS**—remote access server.
- TDM**—time-division multiplexing. Also used to describe a single channel on a TDM bus.
- VFC**—voice feature card.
- VIC**—voice interface card.
- WIC**—WAN interface card.

**Note**

For a list of other internetworking terms, see the *Internetworking Terms and Acronyms* document available on the Documentation CD-ROM and Cisco Connection Online (CCO) at the following URL: <http://www.cisco.com/univercd/cc/td/doc/cisintwk/ita/index.htm>.

Cisco and the Cisco Logo are trademarks of Cisco Systems, Inc. and/or its affiliates in the U.S. and other countries. A listing of Cisco's trademarks can be found at www.cisco.com/go/trademarks. Third party trademarks mentioned are the property of their respective owners. The use of the word partner does not imply a partnership relationship between Cisco and any other company. (1005R)

Any Internet Protocol (IP) addresses used in this document are not intended to be actual addresses. Any examples, command display output, and figures included in the document are shown for illustrative purposes only. Any use of actual IP addresses in illustrative content is unintentional and coincidental.

© 2001-2008 Cisco Systems, Inc. All rights reserved.



Call Tracker show Commands Extensions

Feature History

Release	Modification
12.2(11)T	This feature was introduced.

This document describes the Asynchronous Line Monitoring feature feature in Cisco IOS Release 12.2(11)T and includes the following sections:

- [Feature Overview, page 221](#)
- [Supported Platforms, page 222](#)
- [Supported Standards, MIBs, and RFCs, page 222](#)
- [Prerequisites, page 223](#)
- [Configuration Tasks, page 223](#)
- [Configuration Examples, page 223](#)
- [Command Reference, page 223](#)
- [Glossary, page 224](#)

Feature Overview

Before Cisco IOS Release 12.2(11)T, the **show calltracker active** and **show calltracker history** commands provided a simple way to examine the Call Tracker active table and Call Tracker history table in chronological order. The extensions to these commands available in Cisco IOS Release 12.2(11)T allow the command output to be reverse collated (output from most recent to least recent) or to be filtered by call category or service type. Historical data for disconnected call sessions can be filtered by subsystem type.



Benefits

The command enhancements allow the user more control over the quantity and type of information that is displayed from the **show calltracker active** and **show calltracker history** commands. Streamlined command output simplifies troubleshooting, especially for newer platforms where the number of ports is in the several hundreds, or even thousands.

Supported Platforms

- Cisco AS5300
- Cisco AS5350
- Cisco AS5400
- Cisco AS5800
- Cisco AS5850

Determining Platform Support Through Cisco Feature Navigator

Cisco IOS software is packaged in feature sets that support specific platforms. To get updated information regarding platform support for this feature, access Cisco Feature Navigator. Cisco Feature Navigator dynamically updates the list of supported platforms as new platform support is added for the feature.

Cisco Feature Navigator is a web-based tool that enables you to determine which Cisco IOS software images support a specific set of features and which features are supported in a specific Cisco IOS image. You can search by feature or release. Under the release section, you can compare releases side by side to display both the features unique to each software release and the features in common.

To access Cisco Feature Navigator, you must have an account on Cisco.com. If you have forgotten or lost your account information, send a blank e-mail to cco-locksmith@cisco.com. An automatic check will verify that your e-mail address is registered with Cisco.com. If the check is successful, account details with a new random password will be e-mailed to you. Qualified users can establish an account on Cisco.com by following the directions at <https://tools.cisco.com/RPF/register/register.do>

Cisco Feature Navigator is updated regularly when major Cisco IOS software releases and technology releases occur. For the most current information, go to the Cisco Feature Navigator home page at the following URL:

<http://www.cisco.com/go/fn>

Availability of Cisco IOS Software Images

Platform support for particular Cisco IOS software releases is dependent on the availability of the software images for those platforms. Software images for some platforms may be deferred, delayed, or changed without prior notice. For updated information about platform support and availability of software images for each Cisco IOS software release, refer to the online release notes or, if supported, Cisco Feature Navigator.

Supported Standards, MIBs, and RFCs

Standards

No new or modified standards are supported by this feature.

MIBs

No new or modified MIBs are supported by this feature.

To obtain lists of supported MIBs by platform and Cisco IOS release, and to download MIB modules, go to the Cisco MIB website on Cisco.com at the following URL:

<http://www.cisco.com/public/sw-center/netmgmt/cmtk/mibs.shtml>

RFCs

No new or modified RFCs are supported by this feature.

Prerequisites

Ensure that Call Tracker has been configured with adequate memory to hold history records for completed calls sufficiently long enough to be useful, as determined by the peak call completion rate and polling interval. For more information on setting up the Call Tracker feature, refer to the “Configuring and Managing Integrated Modems” section in the “Modem and Dial Shelf Configuration and Management” chapter of the Release 12.2 *Cisco IOS Dial Technologies Configuration Guide*.

Configuration Tasks

None

Configuration Examples

None

Command Reference

The following commands are introduced or modified in the feature or features documented in this module. For information about these commands, see the *Cisco IOS Dial Technologies Command Reference* at http://www.cisco.com/en/US/docs/ios/dial/command/reference/dia_book.html. For information about all Cisco IOS commands, go to the Command Lookup Tool at <http://tools.cisco.com/Support/CLILookup> or to the *Cisco IOS Master Commands List*.

- **show call calltracker active**
- **show call calltracker history**

Glossary

CHAP—Challenge Handshake Authentication Protocol. Security feature supported on lines using PPP encapsulation that prevents unauthorized access. CHAP does not itself prevent unauthorized access, but merely identifies the remote end. The router or access server then determines whether that user is allowed access.

DSP—digital signal processor. A DSP segments the voice signal into frames and stores them in voice packets.

NAS—network access server. Cisco platform (or collection of platforms, such as an AccessPath system) that interfaces between the packet world (for example, the Internet) and the circuit world (for example, the Public Switched Telephone Network).

VPN—Virtual Private Network. Enables IP traffic to travel securely over a public TCP/IP network by encrypting all traffic from one network to another. A VPN uses tunneling to encrypt all information at the IP level. Any Internet Protocol (IP) addresses used in this document are not intended to be actual addresses. Any examples, command display output, and figures included in the document are shown for illustrative purposes only. Any use of actual IP addresses in illustrative content is unintentional and coincidental.

Cisco and the Cisco Logo are trademarks of Cisco Systems, Inc. and/or its affiliates in the U.S. and other countries. A listing of Cisco's trademarks can be found at www.cisco.com/go/trademarks. Third party trademarks mentioned are the property of their respective owners. The use of the word partner does not imply a partnership relationship between Cisco and any other company. (1005R)

Any Internet Protocol (IP) addresses and phone numbers used in this document are not intended to be actual addresses and phone numbers. Any examples, command display output, network topology diagrams, and other figures included in the document are shown for illustrative purposes only. Any use of actual IP addresses or phone numbers in illustrative content is unintentional and coincidental.

© 2001–2009 Cisco Systems, Inc. All rights reserved.



Cisco NM-8AM-V2 and NM-16AM-V2 Analog Modem Network Modules with V.92

The Cisco NM-8AM-V2 and NM-16AM-V2 Analog Modem Network Modules with V.92 serve as integrated analog modem network modules (NMs) for the modular access routers (MARS) family of routers. These network modules terminate either 8 or 16 analog modem connections through POTS interfaces.

For information on new features and Cisco IOS commands supported by software for the Cisco NM-8AM-V2 and NM-16AM-V2 network modules, see the [“Additional References” section on page 232](#).

Feature History for Cisco NM-8AM-V2 and NM-16AM-V2 Network Modules

Release	Modification
12.3(4)XD	This feature was introduced.
12.3(7)T	This feature was integrated into the Cisco IOS Release 12.3(7)T on the Cisco 2600XM series and Cisco 3700 series routers.

Finding Support Information for Platforms and Cisco IOS Software Images

Use Cisco Feature Navigator to find information about platform support and Cisco IOS software image support. Access Cisco Feature Navigator at <http://www.cisco.com/go/fn>. You must have an account on Cisco.com. If you do not have an account or have forgotten your username or password, click **Cancel** at the login dialog box and follow the instructions that appear.

Contents

- [Information About Cisco NM-8AM-V2 and NM-16AM-V2 Network Modules, page 226](#)
- [How to Configure the Cisco NM-8AM-V2 and NM-16AM-V2 Network Modules, page 229](#)
- [Configuration Examples for Cisco NM-8AM-V2 and NM-16AM-V2 Network Modules, page 232](#)
- [Additional References, page 232](#)
- [Command Reference, page 234](#)



Americas Headquarters:
Cisco Systems, Inc., 170 West Tasman Drive, San Jose, CA 95134-1706 USA

- [Glossary, page 235](#)

Information About Cisco NM-8AM-V2 and NM-16AM-V2 Network Modules

This section contains information that you need to use the Cisco NM-8AM-V2 and NM-16AM-V2 network modules.

- [Overview](#)
- [Key Features and Benefits](#)
- [Chat Script](#)

Overview

Two new analog modem network modules, the Cisco NM-8AM-V2 and NM-16AM-V2 network modules, support basic telephone service connections on Cisco 2600XM series routers, Cisco 3600 series, and Cisco 3700 series. These network modules allow the following:

- Standard telephone connections on RJ-11 connectors
- Up to 16 remote analog modem users to connect to a Cisco 2600XM series
- Up to 32 remote analog modem users to connect to a Cisco 3725
- Up to 64 remote analog modem users to connect to a Cisco 3745
- Up to 96 remote analog modem users to connect to a Cisco 3660

Combined with the differentiated services delivered through Cisco IOS software, users of Cisco 2600XM series, Cisco 3600 series, and Cisco 3700 series routers have best-of-breed scalability, flexibility, and investment protection, all in cost-effective, multifunctional platforms.

Key Features and Benefits

The Cisco NM-8AM-V2 and NM-16AM-V2 network modules provide several new features and benefits.

- 8 or 16 internal V.34/V.42bis/V.44/V.90/V.92 analog modems per network module
- Up to 56-kbps data download and 14.4-kbps fax communication
- V.92 Quick Connect and Modem-on-Hold features
- Simple Network Management Protocol (SNMP) based tools with centrally-managed modem capabilities used to manage the rest of the network (such as CiscoView and Cisco Works 2000)
- Support for a broad range of dial-in features with Cisco IOS dial access software
- Software upgradable modem firmware to support possible future changes
- Support for all traditional Cisco IOS asynchronous encapsulations and WAN services
- Modem AT command interface
- Managed modem support via Cisco IOS CLI commands and Cisco Modem Management MIB
- Support for online insertion and removal (OIR) on Cisco 3660 and Cisco 3745 routers
- Compatible with approved Dialout Client applications

These features enable a wide variety of dial-in clients to use the applications and facilities of the branch office network.

- Virtual private network (VPN) support—This feature allows for cost-effective connections for a geographically dispersed user base. It can reduce access cost support and allow remote users straightforward access to their office LAN through a local Internet service provider (ISP), while maintaining a high degree of end-to-end security.
- Robust security features—Utilizing TACACS+, Challenge Handshake Authentication Protocol/Password Authentication Protocol (CHAP/PAP), Triple Data Encryption Standard (3-DES) encryption, and the built-in firewall capabilities of Cisco IOS software allows secure access for a wide variety of remote users to sensitive company data.

Network Management

- CiscoWorks—Allows centralized management of multiple Cisco 2600XM, Cisco 3600, and Cisco 3700 routers.
- In-band and out-of-band management via TCP/IP and SNMP, including MIB II and other extensions, over TCP/IP.
- TCP/IP addresses can be assigned via DHCP, per user, or via an internal address pool, or they can be selected remotely.
- Maintains a detailed activity log for accounting, billing, and troubleshooting.
- Ability to download image and configuration across routers.

Security

- Username, password, and dial-back security
- Multilevel administration password support
- CHAP and PAP support
- Centralized authentication via AAA
- IP device and network filtering
- AppleTalk zone and device filtering

Modem Management

The Cisco 2600XM series, Cisco 3600 series, and Cisco 3700 series routers ship with general network management capabilities.



Note

- The analog modem network module is being submitted for approval worldwide, but because of specific in-country approval processes, approval dates vary. For the latest availability status, please check online at <http://www.cisco.com>.
- For more information on the AT command set used by these modems, please check online at <http://www.cisco.com>.

Chat Script

The Cisco NM-8AM-V2 and NM-16AM-V2 network modules support chat script like other Cisco modem modules. There is no need to put a factory reset parameter in the chat script because this will interfere with the modem settings configured internally by the Cisco NM-xAM-V2 firmware. If a factory reset parameter is included, the parameter may interfere with how the connection speed is collected and the modem may be unreliable in any reports on the speed.

When using the AT&F reset parameter in a chat-script with Cisco NM-8AM-V2 and NM-16AM-V2 network modules, the reset parameter should be used in conjunction with the connect string setting. For example:

```
AT&F\\v1s0=1
```

This setting gives a factory reset, a long connect string, and answers after one ring. For more information, refer to the documentation at:

http://cisco.com/en/US/docs/ios/dial/configuration/guide/dia_nm8amv2_nm16amv2.html

How to Configure the Cisco NM-8AM-V2 and NM-16AM-V2 Network Modules

To configure the Cisco NM-8AM-V2 and NM-16AM-V2 network modules, perform the tasks listed below:

- [Configuring the Modems for the Country of Deployment, page 229](#) (required)
- [Verifying the Modem Configuration, page 230](#) (optional)

Configuring the Modems for the Country of Deployment

The Cisco NM-8AM-V2 and NM-16AM-V2 network modules are designed to customize their settings to the country in which they are deployed. To configure a modem for the country of deployment, perform this configuration task.

SUMMARY STEPS

1. **enable**
2. **configure terminal**
3. **modem country smart_acf *country-name***
4. **end**

DETAILED STEPS

	Command or Action	Purpose
Step 1	enable Example: Router> enable	Enables privileged EXEC mode. • Enter your password if prompted.
Step 2	configure terminal Example: Router# configure terminal	Enters global configuration mode.
Step 3	modem country smart_acf <i>country-name</i> Example: Router(config)# modem country smart_acf usa	Sets the modem firmware to use settings for the country of deployment.
Step 4	end Example: Router(config)# end	Exits global configuration mode and returns to privileged EXEC mode.

Verifying the Modem Configuration

Perform the following tasks to verify the modem configuration.

SUMMARY STEPS

1. `enable`
2. `show modem version`
3. `debug modem`
4. `show modem version`
5. `exit`

DETAILED STEPS

	Command or Action	Purpose
Step 1	<code>enable</code> Example: Router> <code>enable</code>	Enables privileged EXEC mode. <ul style="list-style-type: none"> • Enter your password if prompted.
Step 2	<code>show modem version</code> Example: Router# <code>show modem version</code>	Displays the modem firmware version and datapump version.
Step 3	<code>debug modem</code> Example: Router# <code>debug modem</code>	Displays the modem events and state transitions.
Step 4	<code>show modem version</code> Example: Router# <code>show modem version</code>	Displays the modem firmware version, the datapump version, and the firmware log.
Step 5	<code>exit</code> Router# <code>exit</code>	Exits privileged EXEC mode.

Troubleshooting Tips

Use the following **debug** commands to troubleshoot the modem:

- `debug async state`
- `debug dialer`
- `debug dialer forwarding`
- `debug dialer map`
- `debug dialer packets`

- **debug modem**
- **debug ppp events**
- **debug ppp forwarding**
- **debug ppp negotiation**
- **debug ppp packet**

Use the **debug modem** and **debug dialer** commands to troubleshoot the Cisco NM-8AM-V2 and NM-16AM-V2 network modules.

```
Router# debug modem
Router# debug dialer
Router# ping 10.1.1.1
```

Type escape sequence to abort.

Sending 5, 100-byte ICMP Echos to 10.1.1.1, timeout is 2 seconds:

```
*Jul 27 05:40:24.524 EST: As33 DDR: place call
*Jul 27 05:40:24.524 EST: As33 DDR: Dialing cause ip (s=10.1.1.1, d=10.1.1.1)
*Jul 27 05:40:24.524 EST: As33 DDR: Attempting to dial 102
*Jul 27 05:40:24.524 EST: CHAT33: Attempting async line dialer script
*Jul 27 05:40:24.524 EST: CHAT33: Dialing using Modem script: dial & System script: none
*Jul 27 05:40:24.524 EST: CHAT33: process started
*Jul 27 05:40:24.524 EST: CHAT33: Asserting DTR
*Jul 27 05:40:24.524 EST: CHAT33: Chat script dial started
*Jul 27 05:40:24.524 EST: Modem 1/0 ACF: CMD DTR set high
*Jul 27 05:40:24.888 EST: Modem 1/0 ACF: Event: Hook state: Off Hook Dialing.
*Jul 27 05:40:24.888 EST: Modem 1/0 ACF: State: Dialing...
*Jul 27 05:40:45.960 EST: Modem 1/0 ACF: Event: CONNECT V34/LAPM/V42B/33600:TX/33600:RX
*Jul 27 05:40:45.960 EST: Modem 1/0 ACF: State: Connected
*Jul 27 05:40:45.972 EST: CHAT33: Chat script dial finished, status = Success
*Jul 27 05:40:45.972 EST: TTY33: no timer type 1 to destroy
*Jul 27 05:40:45.972 EST: TTY33: no timer type 0 to destroy
*Jul 27 05:40:45.972 EST: TTY33: no timer type 2 to destroy
*Jul 27 05:40:45.972 EST: Modem 1/0 ACF: CMD PPP mode active
*Jul 27 05:40:47.972 EST: %LINK-3-UPDOWN: Interface Async33, changed state to up
*Jul 27 05:40:47.972 EST: As33 DDR: Dialer statechange to up
*Jul 27 05:40:47.972 EST: As33 DDR: Dialer call has been placed
*Jul 27 05:40:47.972 EST: Modem 1/0 ACF: CMD PPP escape maps set: TX map=00000000 RX
map=FFFFFFFF
*Jul 27 05:40:48.112 EST: Modem 1/0 ACF: CMD PPP escape maps set: TX map=00000000 RX
map=000A0000
*Jul 27 05:40:48.212 EST: As33 DDR: dialer protocol up
*Jul 27 05:40:48.972 EST: %LINEPROTO-5-UPDOWN: Line protocol on Interface Async33, changed
state to up
```

Configuration Examples for Cisco NM-8AM-V2 and NM-16AM-V2 Network Modules

Example of the modem country smart_acf Command

The following example shows the usage of the **modem country smart_acf** command:

```
Router# config terminal  
Enter configuration commands, one per line. End with CNTL/Z.  
Router(config)# modem country smart_acf usa  
Router(config)# end
```

Additional References

The following sections provide references related to Cisco NM-8AM-V2 and NM-16AM-V2 network modules.

Related Documents

Related Topic	Document Title
AT Commands	<i>AT Command Set and Register Summary for V.90 WIC-1AM and WIC-2AM Analog Modem WAN Interface Cards</i>
NM-8AM or NM-16AM Analog Modem Module Configuration	<i>Configuring Dialin with the NM-8AM or NM-16AM Analog Modem Module</i>
Data Sheet on Network Modules	<i>Cisco 2800 Series Integrated Services Routers</i>

Standards

Standards	Title
No new or modified standards are supported by this feature, and support for existing standards has not been modified by this feature.	

MIBs

MIBs	MIBs Link
No new or modified MIBs are supported by this feature, and support for existing MIBs has not been modified by this feature.	To locate and download MIBs for selected platforms, Cisco IOS releases, and feature sets, use Cisco MIB Locator found at the following URL: http://www.cisco.com/go/mibs

RFCs

RFCs	Title
No new or modified RFCs are supported by this feature, and support for existing RFCs has not been modified by this feature.	

Technical Assistance

Description	Link
Technical Assistance Center (TAC) home page, containing 30,000 pages of searchable technical content, including links to products, technologies, solutions, technical tips, and tools. Registered Cisco.com users can log in from this page to access even more content.	http://www.cisco.com/public/support/tac/home.shtml

Command Reference

The following commands are introduced or modified in the feature or features documented in this module. For information about these commands, see the *Cisco IOS Dial Technologies Command Reference* at http://www.cisco.com/en/US/docs/ios/dial/command/reference/dia_book.html. For information about all Cisco IOS commands, go to the Command Lookup Tool at <http://tools.cisco.com/Support/CLILookup> or to the *Cisco IOS Master Commands List*.

- **modem country smart_acf**

Glossary

DHCP—Dynamic Host Configuration Protocol.

MARS— modular access routers family of routers.

**Note**

Refer to *Internetworking Terms and Acronyms* for terms not included in this glossary.

Cisco and the Cisco Logo are trademarks of Cisco Systems, Inc. and/or its affiliates in the U.S. and other countries. A listing of Cisco's trademarks can be found at www.cisco.com/go/trademarks. Third party trademarks mentioned are the property of their respective owners. The use of the word partner does not imply a partnership relationship between Cisco and any other company. (1005R)

Any Internet Protocol (IP) addresses used in this document are not intended to be actual addresses. Any examples, command display output, and figures included in the document are shown for illustrative purposes only. Any use of actual IP addresses in illustrative content is unintentional and coincidental.

© 2001-2008 Cisco Systems, Inc. All rights reserved.



MICA and NextPort Modem Tech-Support Command Additions

Feature History

Release	Modification
12.1(13)	The commands show tech-support modem (for the Cisco AS5300 and AS5800 access servers) and show tech-support spe (for the Cisco AS5350, AS5400, AS5800, and AS5850 access servers) were introduced.
12.2(11)T	The commands were migrated to Cisco IOS Release 12.2(11)T.

This document describes the Asynchronous Line Monitoring feature and includes the following sections:

- [Feature Overview, page 237](#)
- [Supported Platforms, page 238](#)
- [Supported Standards, MIBs, and RFCs, page 239](#)
- [Configuration Tasks, page 239](#)
- [Configuration Examples, page 241](#)
- [Command Reference, page 243](#)

Feature Overview

When information was required to troubleshoot a problem with modems in the field before these commands were introduced, customers were asked to send the output of a number of Cisco IOS EXEC commands. Collecting this data is cumbersome for both customers and the engineers requesting the information. The **show tech-support modem** and **show tech-support spe** commands allow customers to collect an extensive report detailing modem functionality by entering a single command.



Benefits

The **show tech-support modem** and **show tech-support spe** commands are useful to the Cisco customer and Cisco customer support personnel alike. For example, when a quality assurance technician gathers troubleshooting information, rather than typing in a series of commands, the technician can simply add the output of the **show tech-support modem** and **show tech-support spe** command to his report. Development engineers can then have a consistent output for reference when troubleshooting problems.

Restrictions

The **show tech-support modem** and **show tech-support spe** commands are available on Cisco AS5300, AS5350, AS5400, AS5800, and AS5850 platforms that support the modem ISDN channel aggregation (MICA technologies) and NextPort service processing element (SPE) modems.

Related Documents

For more information about managing the Cisco MICA and SPE modems, refer to the following documents:

- [Cisco IOS Dial Technologies Command Reference](#), Release 12.2
- [Cisco IOS Dial Technologies Configuration Guide](#), Release 12.2. Refer to the chapter “Configuring and Managing Integrated Modems” in the part “Modem and Dial Shelf Configuration and Management.”

Supported Platforms

- Cisco AS5300
- Cisco AS5350
- Cisco AS5400
- Cisco AS5800
- Cisco AS5850

Determining Platform Support Through Cisco Feature Navigator

Cisco IOS software is packaged in feature sets that support specific platforms. To get updated information regarding platform support for this feature, access Cisco Feature Navigator. Cisco Feature Navigator dynamically updates the list of supported platforms as new platform support is added for the feature.

Cisco Feature Navigator is a web-based tool that enables you to quickly determine which Cisco IOS software images support a specific set of features and which features are supported in a specific Cisco IOS image. You can search by feature or release. Under the release section, you can compare releases side by side to display both the features unique to each software release and the features in common.

To access Cisco Feature Navigator, you must have an account on Cisco.com. If you have forgotten or lost your account information, send a blank e-mail to cco-locksmith@cisco.com. An automatic check will verify that your e-mail address is registered with Cisco.com. If the check is successful, account details with a new random password will be e-mailed to you. Qualified users can establish an account on Cisco.com by following the directions at <http://www.cisco.com/register>.

Cisco Feature Navigator is updated regularly when major Cisco IOS software releases and technology releases occur. For the most current information, go to the Cisco Feature Navigator home page at the following URL:

<http://www.cisco.com/go/fn>

Supported Standards, MIBs, and RFCs

Standards

None

MIBs

None

To obtain lists of supported MIBs by platform and Cisco IOS release, and to download MIB modules, go to the Cisco MIB website on Cisco.com at the following URL:

<http://www.cisco.com/public/sw-center/netmgmt/cmtk/mibs.shtml>

RFCs

None

Configuration Tasks

No configuration is required to create a modem functionality report. The tasks to start the modem reports are described in the following sections:

- [Using the show tech-support Modem EXEC Commands](#)
- [Creating a Modem Report](#)

Using the show tech-support Modem EXEC Commands

To start the modem and SPE reports, use the following EXEC commands:

Command	Purpose
Router# show tech-support modem	Runs a basic list of modem reports for the Cisco AS5300 and AS5800.
Router# show tech-support modem detail	Runs a detailed list of modem reports for the Cisco AS5300 and AS5800.
Router# show tech-support spe	Runs a basic list of modem reports for the Cisco AS5350, AS5400, AS5800, and AS5850.
Router# show tech-support spe detail	Runs a detailed list of modem reports for the Cisco AS5350, AS5400, AS5800, and AS5850.

Creating a Modem Report

To create a modem functionality report for MICA and SPE modems, use the following EXEC commands:

- To run a basic modem functionality report, enter the **show tech-support modem** (MICA modems on a Cisco AS5300 or AS5800) or **show tech-support spe** commands (SPE modems on Cisco AS5350, AS5400, AS5800, and AS5850) at the privileged EXEC prompt. [Table 1](#) lists the commands that are run by this command, in the order run.
- To run the more detailed modem functionality report, enter the **show tech-support modem detail** (MICA modems on a Cisco AS5300 or AS5800) or **show tech-support spe detail** command (SPE modems on Cisco AS5350, AS5400, AS5800, and AS5850) at the privileged EXEC prompt. [Table 1](#) lists the commands that are run by this command, in the order run.

Table 1 *Commands Run by show tech-support modem and show tech-support spe Commands*

Commands run by the show tech-support modem command:	Commands run by the show tech-support spe command:
show version	show version
show running-config	show running-config
show modem version	show spe version
show modem	show spe
show modem summary	show spe modem summary
show spe version	show spe modem csr summary
show controllers t1 call-counters	show spe modem disconnect-reason summary
show controllers e1 call-counters	show spe recovery
show modem connect-speeds	show csm call-rate
show modem mapping	show nextport mm
show line	show controllers e1 call-counters
show caller	show controllers t1 call-counters
show users all	show line
Additional commands run by the show tech-support modem detail command:	show caller
show modem configuration	show users all
show modem operational-status	Additional commands run by the show tech-support spe detail command:
show modem mica all	show csm modem
show modem csm	show spe log
show modem log	show port modem log

Configuration Examples

The reports displayed by the **show tech-support modem** and **show tech-support spe** commands are the successive output of many commands. The reports take some time to run and, when captured in a buffer, can be over 100 pages in length. A truncated example is provided in this section to show the extent of the information provided by these reports; however, providing a sample report for each of these commands would take too many pages to provide.

The following example shows partial output of the **show tech-support modem** command on a Cisco AS5300:

```
Router# show tech-support modem

----- show version -----

Cisco Internetwork Operating System Software
.
.
.
ROM: System Bootstrap, Version xx.xx, RELEASE SOFTWARE (xxx)
BOOTLDR: 5300 Software (C5300-BOOT-M), Version xx.xx, RELEASE SOFTWARE (xxx)

Router uptime is 36 minutes
System returned to ROM by reload at 09:40:14 UTC Thu May 15 1997
System image file is "tftp://..."

cisco AS5300 (R4K) processor (revision A.14) with 65536K/16384K bytes of memory.
Processor board ID 05433558
R4700 CPU at 150Mhz, Implementation 33, Rev 1.0, 512KB L2 Cache
Channelized E1, Version 1.0.
.
.
.
128 Serial network interface(s)
120 terminal line(s)
4 Channelized E1/PRI port(s)
128K bytes of non-volatile configuration memory.
16384K bytes of processor board System flash (Read/Write)
4096K bytes of processor board Boot flash (Read/Write)

Configuration register is 0x0

----- show running-config -----

Building configuration...

Current configuration : 37974 bytes
!
version 12.2
.
.
.
hostname ...
!
username ...
.
.
.
spe 1/0 2/9
firmware location system:/ucode/mica_port_firmware
.
```

```

.
.
end

----- show modem version -----

Codes:
d - DSP software download is required for achieving K56flex connections

      Modem module   Firmware   Boot       DSP
Mdm   Number        Rev        Rev        Rev
1/0           0         2.7.2.0
1/1           0         2.7.2.0
1/2           0         2.7.2.0
1/3           0         2.7.2.0
1/4           0         2.7.2.0
1/5           0         2.7.2.0
1/6           1         2.7.2.0
1/7           1         2.7.2.0
1/8           1         2.7.2.0
1/9           1         2.7.2.0
1/10          1         2.7.2.0
1/11          1         2.7.2.0
1/12          2         2.7.2.0
1/13          2         2.7.2.0
1/14          2         2.7.2.0
1/15          2         2.7.2.0
1/16          2         2.7.2.0
1/17          2         2.7.2.0
1/18          3         2.7.2.0
1/19          3         2.7.2.0
1/20          3         2.7.2.0

.
.
.

Modem board HW version info:

Slot 1:
Carrier card:
  number_of_ports= 60, max_modules= 10
Manufacture Cookie Info:
  EEPROM Type 0x0001, EEPROM Version 0x01, Board ID 0x47,
  Board Hardware Version 1.0, Item Number 73-2393-03,
  Board Revision A0, Serial Number 10081386,
  PLD/ISP Version 5.9,  Manufacture Date 12-Oct-1998.

Modem Module 0
Manufacture Cookie Info:
  EEPROM Type 0x0101, EEPROM Version 0x01, Board ID 0x06,
  Board Hardware Version 1.0, Item Number 73-2522-02,
  Board Revision C48, Serial Number 09828503,
  PLD/ISP Version <unset>,  Manufacture Date 25-Oct-1998.

Modem Module 1
Manufacture Cookie Info:
  EEPROM Type 0x0101, EEPROM Version 0x01, Board ID 0x06,
  Board Hardware Version 1.0, Item Number 73-2522-02,
  Board Revision C48, Serial Number 08559439,
  PLD/ISP Version <unset>,  Manufacture Date 21-Oct-1998.

----- show modem -----

```

Codes:

* - Modem has an active call
 C - Call in setup
 T - Back-to-Back test in progress
 R - Modem is being Reset
 p - Download request is pending and modem cannot be used for taking calls
 D - Download in progress
 B - Modem is marked bad and cannot be used for taking calls
 b - Modem is either busied out or shut-down
 d - DSP software download is required for achieving K56flex connections
 ! - Upgrade request is pending

Mdm	Avg Hold Time	Inc calls		Out calls		Busied Out	Failed Dial	No Answer	Succ Pct.
		Succ	Fail	Succ	Fail				
1/0	00:00:00	0	0	0	0	0	0	0	0%
1/1	00:00:00	0	0	0	0	0	0	0	0%
1/2	00:00:00	0	0	0	0	0	0	0	0%
1/3	00:00:00	0	0	0	0	0	0	0	0%
1/4	00:00:00	0	0	0	0	0	0	0	0%
1/5	00:00:00	0	0	0	0	0	0	0	0%
1/6	00:00:00	0	0	0	0	0	0	0	0%
1/7	00:00:00	0	0	0	0	0	0	0	0%
1/8	00:00:00	0	0	0	0	0	0	0	0%
1/9	00:00:00	0	0	0	0	0	0	0	0%
1/10	00:00:00	0	0	0	0	0	0	0	0%
1/11	00:00:00	0	0	0	0	0	0	0	0%
1/12	00:00:00	0	0	0	0	0	0	0	0%
1/13	00:00:00	0	0	0	0	0	0	0	0%
1/14	00:00:00	0	0	0	0	0	0	0	0%
1/15	00:00:00	0	0	0	0	0	0	0	0%
1/16	00:00:00	0	0	0	0	0	0	0	0%
1/17	00:00:00	0	0	0	0	0	0	0	0%
1/18	00:00:00	0	0	0	0	0	0	0	0%
1/19	00:00:00	0	0	0	0	0	0	0	0%
1/20	00:00:00	0	0	0	0	0	0	0	0%
.									
.									
.									

Command Reference

The following commands are introduced or modified in the feature or features documented in this module. For information about these commands, see the *Cisco IOS Dial Technologies Command Reference* at http://www.cisco.com/en/US/docs/ios/dial/command/reference/dia_book.html. For information about all Cisco IOS commands, go to the Command Lookup Tool at <http://tools.cisco.com/Support/CLILookup> or to the *Cisco IOS Master Commands List*.

- **show tech-support modem**
- **show tech-support spe**

Cisco and the Cisco Logo are trademarks of Cisco Systems, Inc. and/or its affiliates in the U.S. and other countries. A listing of Cisco's trademarks can be found at www.cisco.com/go/trademarks. Third party trademarks mentioned are the property of their respective owners. The use of the word partner does not imply a partnership relationship between Cisco and any other company. (1005R)

Any Internet Protocol (IP) addresses and phone numbers used in this document are not intended to be actual addresses and phone numbers. Any examples, command display output, network topology diagrams, and other figures included in the document are shown for illustrative purposes only. Any use of actual IP addresses or phone numbers in illustrative content is unintentional and coincidental.

© <year> Cisco Systems, Inc. All rights reserved.



PIAFS Wireless Data Protocol Version 2.1 for Cisco MICA Modems

Feature History

Release	Modification
12.1(2)XH	This feature was introduced.
12.2(2)XA	New Modem States and Link Information Parameters were added for Version 2.1 (supported on Cisco AS5300 universal access servers only).
12.2(2)XB1	This feature was supported on Cisco AS5800 platforms.
12.2(11)T	This feature was integrated into Cisco IOS Release 12.2(11)T.

This document describes the Personal Handyphone Internet Access Forum Standard (PIAFS), Version 2.1 feature using Cisco MICA modems for Cisco AS5300 and Cisco AS5800 universal access servers. PIAFS Version 2.1 is supported with Cisco IOS Software Release 12.2(2)XB1 or 12.2(11)T.

This document includes the following sections:

- [Feature Overview, page 245](#)
- [Supported Platforms, page 250](#)
- [Supported Standards, MIBs, and RFCs, page 251](#)
- [Prerequisites, page 251](#)
- [Configuration Tasks, page 252](#)
- [Configuration Examples, page 255](#)
- [Command Reference, page 255](#)
- [Glossary, page 256](#)

Feature Overview

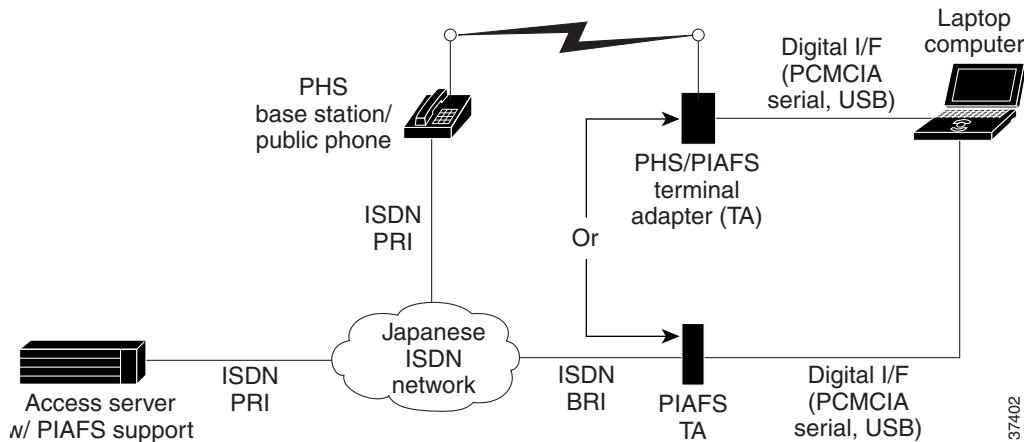
This feature adds support for the PIAFS 2.1 protocol (T1 only) with Cisco MICA modems on Cisco AS5300 Cisco AS5800 universal access servers. PIAFS provides data connectivity between a client computer and a remote access server (RAS) using the Personal-Handyphone-System (PHS) digital cellular



Americas Headquarters:
Cisco Systems, Inc., 170 West Tasman Drive, San Jose, CA 95134-1706 USA

telephone system. PIAFS 2.1 allows the modem to shift speed during a connection between 32,000 and 64,000 bps when initiated by a remote terminal adapter (TA). PIAFS provides data connectivity between a client computer and remote access server (RAS) using the PHS digital cellular telephone system. Figure 1 shows a typical PIAFS RAS environment.

Figure 1 PIAFS Configuration



Note

Cisco MICA Portware Version 8.2.x.x does not support modem modulations (for example, V.90), V.110, or fax. If non-PIAFS features are desired, other portware images, such as Cisco MICA Portware Version 2.7.3.0 can be loaded onto other Hex Modem Modules (HMMs) or Double Density Modem Modules (DMMs) in your Cisco AS5x00 universal access server. See the [Restrictions](#) section for more information.

The following PIAFS 2.1 features are supported on the Cisco AS5x00 platforms:

- In-band negotiation and synchronization of variable-speed Type 2 data transmission. This allows variable Type 2 devices such as Cisco MICA modems to connect with Type 1 and Type 2 initiating devices. A PIAFS 2.1 connection can be with two Type 2 devices, two Type 1 devices, or a Type 1 and a Type 2 device. Operational Cisco MICA is always Type 2, but it can communicate with Type 1 and Type 2 devices as well as with systems running PIAFS 1.x and 2.0.

A Type 2 device cannot directly sense traffic channels (TCH). The TCH is the number of 32k channels bound to a call. If the Type 2 device loses synchronization, the device assumes that the speed has changed, so the device periodically switches its I.460 (1988 ITU-T standard) intermediate rate adaptation function on and off while it is out of synchronization until it achieves sync or fails to resynchronize. An originating Type 2 device switches every 1.6 to 1.8 seconds; a receiving Type 2 device switches every 200 milliseconds. A Type 2 device is notified of speed changes from within the PIAFS protocol.

A Type 1 device directly senses the number of 32k radio frequency (RF) channels bound to a call. It can either sense the total number of channels that are currently bound (TCH) or issue an early warning of TCH change (a Preliminary Signal, or PS). If a Type 1 device senses a TCH speed change, it will directly switch to the new speed, turning its I.460 intermediate rate adaptation on or off as necessary. If a PS change is sensed, the device sends a protocol message before switching its I.460 logic. Both the originating and the receiving device can be Type 1, depending on whether each device can sense TCH or PS.

- Fixed user rate negotiation with PIAFS 2.0 and 1.X clients.

- Real-time statistics for negotiated parameters and speed changes.
- Mixed Cisco MICA (PIAFS and modem/fax/data) images on a DFC. A Cisco AS5300 universal access server running Cisco IOS Release 12.2.(2)XA will support both PIAFS 2.1 and modem calls together, on different SPEs in a multiple SPE configuration. See the [Restrictions](#) section for more information.
- **AT** commands (modemcaps)—PIAFS is controlled by entering the `MSC=&F&D2` modemcap. Enter the **no flush-at-activation** command in the line configuration if Point-to-Point Protocol (PPP) is desired.
- S34 S-register—The S34 S-register interfaces with new PHS or TA devices in the field by selectively inhibiting or enabling parts of the PIAFS 2.1 protocol. This S-register allows the use of non standard values.

For more information about S-registers and **AT** commands, refer to the *AT Command Set and Register Summary for MICA Six-Port Modules with PIAFS*.

For information about configuring PIAFS version 2.1, refer to the *Release Notes for Cisco MICA Portware Version 8.2.3.0 on Cisco AS5300 Universal Access Servers with PIAFS Support*.

PIAFS Protocol

The PHS PIAFS feature specifies a transmission system that uses the PHS 64,000 bps/32,000 bps unrestricted digital bearer, which allows dynamic data rate change between 32 and 64 kbps during a call. The PIAFS protocol allows for these dynamic data rate changes. The PIAFS terminal adapter (TA) module works like a modem or a V.110 module by using the same call-setup Q.931 message, but differs by its use of the 32k and 64k user rate and the ability to support ISDN bearer channel capability and calling party subaddress.



Note

PIAFS Version 2.1 with Cisco IOS Release 12.2(2)XA, 12.2(2)XB1, or 12.2(11)T requires Cisco IOS Plus images. See the [Restrictions](#) section.

With the PIAFS protocol, a call is initiated from the client computer or personal digital assistant (PDA) through a terminal adapter (TA), which is typically connected to the computer using a PCMCIA slot, serial interface, or USB interface. The TA contains PIAFS functionality and either is connected (or integrated) with a PHS handset for wireless communications, or is connected directly to the telco network using an ISDN BRI line. For wireless operation, the PHS base station allocates either a 32- or 64-kbps (user rate) channel for the connection with the client TA. The client and RAS perform PIAFS synchronization and feature negotiation to set up an error-correcting communication channel with optional V.42bis data compression.

PHS manages the user channel capacity based on the aggregate bandwidth used at the local base station to maximize the number of supported users. In return, the channel capacity for each user is reduced. PIAFS 2.1 allows the user rate to change during a call as base station use changes. In previous PIAFS versions, the data rate was established at call setup and remained fixed during the call. The dynamic user rate change capability introduced in PIAFS 2.1 uses RF channel capacity more efficiently and reduces the occurrence of call denial in heavily utilized cells.



Note

Some TAs support both PIAFS 2.0 and 2.1 protocols, but the negotiation message that is sent to the initiated server unit can indicate a preference for 2.0. Cisco MICA might create a 2.0 connection rather than a 2.1 connection, if a 2.0 preference is indicated. This is a normal Cisco MICA occurrence. Cisco MICA continues to support earlier protocol versions and works with older PHSs and TAs.

Benefits

New Link Information Parameters

The Connect Protocol (in the Static group and also accessed by entering the **show modem operational-status** command) now differentiates between PIAFS 1.x or 2.0 and PIAFS 2.1.

New Modem States

Two new modem states have been defined for Cisco AS5300 universal access servers in this release:

- Steady PIAFS Resync (with a value of 80)—Indicates that a PIAFS channel has lost synchronization and is performing a resynchronization.
- Steady PIAFS Speedshift (with a value of 85)—Indicates that a PIAFS channel has just negotiated a speed shift change (for example, from 32,000 bps to 64,000 bps or from 64,000 bps to 32,000 bps).

These states are displayed when you enter the **show modem log** command. The states are displayed under the Modem State event heading. The modem states tell you when the network changed the connection speed (added or subtracted 32k channels). The number of 32k channels bound to a call is also known as traffic channel (TCH).



Note Speedshifting must be initiated by the client or Telco.

No Changes to Configuration

There are no new configuration parameters necessary to use the PIAFS 2.1 capabilities.

Restrictions

Cisco MICA Portware Version 8.2.x.x supports the PIAFS protocol only and does not support modem modulations (for example, V.90), V.110, or fax. Similarly, standard (non-PIAFS) Cisco MICA portware versions cannot support the PIAFS protocol.

The following additional restrictions apply to this release:

- PIAFS Version 2.1 with Cisco IOS Release 12.2(2)XAm 12.2(2)XB1, or 12.2(11)T requires Cisco IOS Plus images. The following Cisco IOS Plus images are supported with this feature:
 - Desktop Plus
 - Desktop Voice Plus
 - Enterprise Plus
 - Enterprise Plus IPSEC 56
 - Enterprise Voice Plus
 - IP Plus
 - IP Plus IPSEC 56
 - IP/Voice Plus
- PIAFS and non-PIAFS functionality cannot be mixed on the same SPE. Each SPE can only support one version of Cisco MICA portware at a time. A single SPE (6 Cisco MICA modem sessions with an HMM, or 12 Cisco MICA modem sessions with a DMM) can support only one of the following:
 - PIAFS 2.1 calls with Portware Version 8.2.3.0

Or

- Modem modulations using standard (non-PIAFS) Cisco MICA modem portware releases (for example, Version 2.7.3.0).

The portware you are running determines SPE functionality.

- PIAFS 2.1 is only supported over a T1 Interface with isdn switch-type set to **primary-ntt**.
- Resource services must be used with Cisco MICA modems.
- Modem pooling and resource pool management are not compatible.
- Only the V.42bis data compression protocol is supported.
- Real-Time Transport Protocol (RTP), user-control frames, and continuous frames are not supported.
- The PIAFS protocol is contained in a special Cisco MICA PIAFS only image with no modem/fax support.

Related Documents

- *AT Command Set and Register Summary for Cisco MICA Six-Port Modules with PIAFS*
- *Configuring the NAS for Basic Dial Access*
- *Release Notes for Cisco MICA Portware Version 8.2.3.0 on Cisco AS5x00 Universal Access Servers*
- *SPE and Firmware Download Enhancements*
- Cisco AS5300 universal access servers Cisco MICA release notes index page
- Configuration documents for Cisco AS5800
- Cisco AS5x00 Cisco MICA 6-Port and 12-Port Modem Module Portware/Cisco IOS Software Compatibility Matrixes
- Cisco AS5300 access servers, Appendix A, “Managing Modems,” and Appendix B, “Rom Monitor,” in the *Cisco AS5300 Universal Access Server Software Configuration Guide*
- *Modem Management Commands*
- *Cisco IOS Dial Services Command Reference*
- Cisco IOS Dial Technologies Configuration Guide, Release 12.2
- *Quick Start Guide, Cisco AS5300 Universal Access Server Install and Configure*
- V.90 and RFC-2217 dialout support for fax/data



Note

The Cisco DialOut Utility (CDU) is no longer supported. Refer to the *Sample NAS Configurations for Cisco DialOut Utility* document for information about RFC-2217 reverse TELNET support.

Technical Assistance Center

The Cisco TAC website is available to all customers who need technical assistance with a Cisco product or technology that is under warranty or covered by a maintenance contract. For PIAFS protocol support, contact Cisco.com Japan:
<http://www.cisco.com/jp/>

Determining Platform Support Through Cisco Feature Navigator

Cisco IOS software is packaged in feature sets that are supported on specific platforms. To get updated information regarding platform support for this feature, access Cisco Feature Navigator. Cisco Feature Navigator dynamically updates the list of supported platforms as new platform support is added for the feature.

Cisco Feature Navigator is a web-based tool that enables you to quickly determine which Cisco IOS software images support a specific set of features and which features are supported in a specific Cisco IOS image. You can search by feature or release. Under the release section, you can compare releases side by side to display both the features unique to each software release and the features in common.

To access Cisco Feature Navigator, you must have an account on Cisco.com. If you have forgotten or lost your account information, send a blank e-mail to cco-locksmith@cisco.com. An automatic check will verify that your e-mail address is registered with Cisco.com. If the check is successful, account details with a new random password will be e-mailed to you. Qualified users can establish an account on Cisco.com by following the directions found at this URL:

<http://www.cisco.com/register>

Cisco Feature Navigator is updated regularly when major Cisco IOS software releases and technology releases occur. For the most current information, go to the Cisco Feature Navigator home page at the following URL:

<http://www.cisco.com/go/fn>

Availability of Cisco IOS Software Images

Platform support for particular Cisco IOS software releases is dependent on the availability of the software images for those platforms. Software images for some platforms may be deferred, delayed, or changed without prior notice. For updated information about platform support and availability of software images for each Cisco IOS software release, refer to the online release notes or, if supported, Cisco Feature Navigator.

Supported Platforms

- Cisco AS5300
- Cisco AS5800

Determining Platform Support Through Cisco Feature Navigator

Cisco IOS software is packaged in feature sets that support specific platforms. To get updated information regarding platform support for this feature, access Cisco Feature Navigator. Cisco Feature Navigator dynamically updates the list of supported platforms as new platform support is added for the feature.

Cisco Feature Navigator is a web-based tool that enables you to determine which Cisco IOS software images support a specific set of features and which features are supported in a specific Cisco IOS image. You can search by feature or release. Under the release section, you can compare releases side by side to display both the features unique to each software release and the features in common.

To access Cisco Feature Navigator, you must have an account on Cisco.com. If you have forgotten or lost your account information, send a blank e-mail to cco-locksmith@cisco.com. An automatic check will verify that your e-mail address is registered with Cisco.com. If the check is successful, account details with a new random password will be e-mailed to you. Qualified users can establish an account on Cisco.com by following the directions at <http://www.cisco.com/register>.

Cisco Feature Navigator is updated regularly when major Cisco IOS software releases and technology releases occur. For the most current information, go to the Cisco Feature Navigator home page at the following URL:

<http://www.cisco.com/go/fn>

Availability of Cisco IOS Software Images

Platform support for particular Cisco IOS software releases is dependent on the availability of the software images for those platforms. Software images for some platforms may be deferred, delayed, or changed without prior notice. For updated information about platform support and availability of software images for each Cisco IOS software release, refer to the online release notes or, if supported, Cisco Feature Navigator.

Supported Standards, MIBs, and RFCs

Standards

No new or modified standards are supported by this feature.

MIBs

- CISCO-MODEM-MGMT-MIB
- CISCO-CALL-RESOURCE-POOL-MIB

To locate and download MIBs for selected platforms, Cisco IOS releases, and feature sets, use Cisco MIB Locator found at the following URL:

<http://tools.cisco.com/ITDIT/MIBS/servlet/index>

If Cisco MIB Locator does not support the MIB information that you need, you can also obtain a list of supported MIBs and download MIBs from the Cisco MIBs page at the following URL:

<http://www.cisco.com/public/sw-center/netmgmt/cmtk/mibs.shtml>

To access Cisco MIB Locator, you must have an account on Cisco.com. If you have forgotten or lost your account information, send a blank e-mail to cco-locksmith@cisco.com. An automatic check will verify that your e-mail address is registered with Cisco.com. If the check is successful, account details with a new random password will be e-mailed to you. Qualified users can establish an account on Cisco.com by following the directions found at this URL:

<http://www.cisco.com/register>

RFCs

No new or modified RFCs are supported by this feature.

Prerequisites

- You must have Cisco MICA Portware Version 8.2.3.0 or higher.
- You must be running Cisco IOS Release 12.2(2)XA, 12.2(2)XB1, or 12.2(11)T.
- A minimum of 64 MB must be available on the DMM cards.
- PHS 64,000 bps requires the allocation of two 32k channels.

- PIAFS portware images are not bundled with Cisco IOS software, so you must copy the image to Flash memory, and specify the image to use using **spe** commands.
Refer to the Cisco document, *SPE and Firmware Download Enhancements* for more information about using the **spe** commands to download portware images.

**Note**

The Cisco AS5300 requires 128MB of memory for systems using Cisco IOS Release 12.1(5)T and later releases.

Configuration Tasks

See the following sections for configuration tasks for the PIAFS feature. Each task in the list is identified as either required or optional.

- [Configuring PIAFS](#) (required)
- [Verifying PIAFS](#) (optional)
- [Configuring a Resource-Pool Group Resource](#) (optional)
- [Verifying Resource-Pool Group Resource](#) (optional)

**Note**

When configuring a voice port, use the following configuration designations:
For the Cisco AS5300, port designation is *port*.

Configuring PIAFS

To configure PIAFS, use the following commands in interface configuration mode.

	Command	Purpose
Step 1	Router(config)# interface serial controller:channel	Enters interface configuration mode for a D-channel serial interface.
Step 2	Router(config-if)# isdn piafs-enabled	Enables the Primary Rate Interface (PRI) to take PIAFS calls on Cisco MICA modems.
Step 3	Router(config-if)# exit	Exits interface configuration mode.

Verifying PIAFS

Use the following **show** commands in privileged EXEC mode:

- Step 1** Enter the **show modem operational-status slot/port** command to view PIAFS call information.

```

piafs_diald# show mod op 1/3
Modem(1/3) Operational-Status:

Parameter #0 Disconnect Reason Info: (0x0)
  Type (=0 ): <unknown>
  Class (=0 ): Other
  Reason (=0 ): no disconnect has yet occurred

```



```

Parameter #1 Connect Protocol: PIAFS 2.1
Parameter #2 Compression: V.42bis both
Parameter #3 EC Retransmission Count: 0
Parameter #4 Self Test Error Count: 0
Parameter #5 Call Timer: 36 secs
Parameter #6 Total Retrains: 0
Parameter #7 Sq Value: 7
Parameter #8 Connected Standard: ISDN
Parameter #9 TX,RX Bit Rate: 64000, 64000
Parameter #11 TX,RX Symbol Rate: 0, 0
Parameter #13 TX,RX Carrier Frequency: 0, 0
Parameter #15 TX,RX Trellis Coding: (n/a), (n/a)
Parameter #16 TX,RX Preemphasis Index: 0, 0
Parameter #17 TX,RX Constellation Shaping: (n/a), (n/a)
Parameter #18 TX,RX Nonlinear Encoding: (n/a), (n/a)
Parameter #19 TX,RX Precoding: (n/a), (n/a)
Parameter #20 TX,RX Xmit Level Reduction: 0, 0 dBm
Parameter #21 Signal Noise Ratio: 0 dB
Parameter #22 Receive Level: 0 dBm
Parameter #23 Frequency Offset: 0 Hz
Parameter #24 Phase Jitter Frequency: 0 Hz
Parameter #25 Phase Jitter Level: 0 degrees
Parameter #26 Far End Echo Level: 0 dBm
Parameter #27 Phase Roll: 0 degrees
Parameter #28 Round Trip Delay: 0 msecs
Parameter #30 Characters transmitted, received: 14, 0
Parameter #32 General Portware Information: 0
Parameter #33 PPP/SLIP packets transmitted, received: 0, 0
Parameter #35 PPP/SLIP packets received (BAD/ABORTED): 0
Parameter #36 EC packets transmitted, received OK: 1, 0
Parameter #38 Moving Average of EC packets (Received BAD/ABORTED): 0
Parameter #39 Robbed Bit Signalling (RBS) pattern: 0
Parameter #40 Digital Pad: (n/a)
        Digital Pad Compensation          : None
Parameter #42 SS7/COT Status: 0
Parameter #43 V110/PIAFS frames received bad: 0
Parameter #44 V110/PIAFS frames received good: 3578
Parameter #45 V110/PIAFS frames transmitted: 3578
Parameter #46 V110/PIAFS sync lost: 0
Parameter #93 PIAFS RTF: 11
Parameter #120 Total Speedshifts: 0
Line Shape:
*
```

Step 2 Enter the **show modem log** command in privileged EXEC mode:

```

piafs_diald# show mod log 1/3
Modem 1/3 Events Log:
*Mar 30 01:48:42.207: ISDN incoming called number: 2015551111
*Mar 30 01:48:42.563: Modem State event:
        State: Call Setup
*Mar 30 01:48:42.563: Modem State event:
        State: Connect
*Mar 30 01:48:42.563: Modem State event:
        State: Link
*Mar 30 01:48:42.563: Modem State event:
        State: Train Up
*Mar 30 01:48:42.563: Modem State event:
        State: EC Negotiating
*Mar 30 01:48:54.567: Modem State event:
        State: Steady
*Mar 30 01:48:54.567: Static event:
        Connect Protocol: PIAFS 2.1
        Compression: V.42bis both
```

```

Connected Standard: ISDN
TX,RX Symbol Rate: 0, 0
TX,RX Carrier Frequency: 0, 0
TX,RX Trellis Coding: (n/a), (n/a)
Frequency Offset: 0 Hz
Round Trip Delay: 0 msec
TX,RX Bit Rate: 64000, 64000
Robbed Bit Signalling (RBS) pattern: 0
Digital Pad: (n/a)
Digital Pad Compensation : None
*Mar 30 01:48:54.567: Dynamic event:
Sq Value: 7
Signal Noise Ratio: 0 dB
Receive Level: 0 dBm
Phase Jitter Frequency: 0 Hz
Phase Jitter Level: 0 degrees
Far End Echo Level: 0 dBm
Phase Roll: 0 degrees
Total Retrans: 0
EC Retransmission Count: 0
Characters transmitted, received: 0, 0
General Portware Information: 0
PPP/SLIP packets transmitted, received: 0, 0
PPP/SLIP packets received (BAD/ABORTED): 0
EC packets transmitted, received OK: 0, 0
Moving Average of EC packets (Received BAD/ABORTED): 0
V110/PIAFS frames received bad: 0
V110/PIAFS frames received good: 27
V110/PIAFS frames transmitted: 28
V110/PIAFS sync lost: 0
PIAFS RTF: 11
Total Speedshifts: 0

```

Configuring a Resource-Pool Group Resource

	Command	Purpose
Step 1	Router(config)# resource-pool group resource piafs	Creates a resource group (piafs) for resource management.
Step 2	Router(config-resource)# exit	Exits configuration mode.

Verifying Resource-Pool Group Resource

Enter the **show resource-pool group resource piafs** command to view resource-pool group resource information:

```

Router# show resource-pool resource piafs
0 resources in the resource group
0 resources currently active
0 calls accepted in the resource group
0 calls rejected due to resource unavailable
0 calls rejected due to resource allocation errors
never since last clear command

```

Configuration Examples

The following example shows common PIAFS and resource-pool group configuration output from entering the **show running-configuration** command:

```
version 12.2
service timestamps debug datetime msec localtime show-timezone
service timestamps log datetime msec localtime show-timezone
service password-encryption
!
hostname travis-nas-01
!
aaa new-model
aaa authentication login default local
aaa authentication login NO_AUTHENT none
aaa authorization exec default local if-authenticated
aaa authorization exec NO_AUTHOR none
aaa authorization commands 15 default local if-authenticated
aaa authorization commands 15 NO_AUTHOR none
aaa accounting exec default start-stop group tacacs+
aaa accounting exec NO_ACCOUNT none
aaa accounting commands 15 default stop-only group tacacs+
aaa accounting commands 15 NO_ACCOUNT none
enable secret 5 $1$LsoW$K/qBH9Ih2WstUxvazDgmY/
!
username admin privilege 15 password 7 06455E365E471D1C17
username gmcilla password 7 071824404D06140044
username krist privilege 15 password 7 0832454D01181118
!
!
!
!
call rsvp-sync
shelf-id 0 router-shelf
shelf-id 1 dial-shelf
!
!
!
resource-pool disable
!
resource-pool group resource piafs
```

Command Reference

The following commands are introduced or modified in the feature or features documented in this module. For information about these commands, see the *Cisco IOS Dial Technologies Command Reference* at http://www.cisco.com/en/US/docs/ios/dial/command/reference/dia_book.html. For information about all Cisco IOS commands, go to the Command Lookup Tool at <http://tools.cisco.com/Support/CLILookup> or to the *Cisco IOS Master Commands List*.

- **isdn piafs-enabled**

Glossary

CSM—Call Switching Module.

DMM—Double Density Modem Module. A Cisco MICA hardware package with 12 modems on a daughter board unit.

E1—European equivalent of T1. Thirty two channels of 64000 Hz—one for framing, one for signaling.

HMM—Hex Modem Module. A Cisco MICA hardware package with six modems on a daughter board unit.

I.460—(1988 ITU-T standard). Specifies procedures used to adapt a PIAFS 32k stream to a 64k ISDN B-channel.

IR—intermediate rate. Data rate used to communicate between the PHS base station and the client TA. The two rates supported are 32 and 64 kbps.

ISDN—Integrated Services Digital Network.

LLC—logical link control.

MICA—Modem ISDN channel aggregation.

PDA—personal digital assistant

PHS—Personal-Handyphone-System.

PIAFS—PHS Internet Access Forum Standard. ITU-T standard for support by ISDN of data terminal equipment with V-series type interfaces.

Portware—Software that runs on the Cisco MICA HMM or DMM.

PPP—Point-to-Point Protocol.

PRI—Primary Rate Interface.

PS—preliminary signal. This signal, if present, gives advance notice of speed changes to a Type 1 device.

Q.931—ISDN User-Network Interface Layer 3 specification for basic call control.

RAS—remote access server.

TCH—traffic channel. The 32k bearer channel for user data. PIAFS 2.1 can bundle up to 2 channels of data for a total data rate of 64k. For PIAFS 2.1, the total number of channels can be shifted up or down dynamically during a call. PIAFS 2.1 on Cisco MICA, however, cannot sense the total number of TCHs, seeing only the loss of synchronization that occurs when the channels shift. Standard PIAFS algorithms (switching IR every 200 msec) allow PIAFS 2.1 on Cisco MICA to synchronize to a new speed without sensing the total number of TCHs. When PIAFS 2.1 on Cisco MICA is originating PIAFS 2.1 calls (TEST), it locks to a particular IR, simulating a TCH change. PIAFS 2.1 on Cisco MICA is not intended to originate calls in an operational mode, so TCH sensing and T010/T011 timers are not implemented.

Cisco and the Cisco Logo are trademarks of Cisco Systems, Inc. and/or its affiliates in the U.S. and other countries. A listing of Cisco's trademarks can be found at www.cisco.com/go/trademarks. Third party trademarks mentioned are the property of their respective owners. The use of the word partner does not imply a partnership relationship between Cisco and any other company. (1005R)

Any Internet Protocol (IP) addresses and phone numbers used in this document are not intended to be actual addresses and phone numbers. Any examples, command display output, network topology diagrams, and other figures included in the document are shown for illustrative purposes only. Any use of actual IP addresses or phone numbers in illustrative content is unintentional and coincidental.

© 2001–2009 Cisco Systems, Inc. All rights reserved.



V.92 and V.44 Support for Digital Modems

The V.92 and V.44 Support for Digital Modems feature supports the V.92 Modem on Hold and V.92 Quick Connect portions of the new V.92 modem standard, and the new V.44 LZJH compression standard based on Lempel-Ziv, on the Cisco 3600 and 3700 router platforms.

Feature Specifications for V.92 and V.44 Support for Digital Modems

Feature History

Release	Modification
12.2(11)YT	This feature was introduced.
12.2(15)T	This feature was integrated into Cisco IOS Release 12.2(15)T.

Supported Platforms

Cisco 3620; Cisco 3640; Cisco 3640A; Cisco 3660; Cisco 3725; Cisco 3745

Finding Support Information for Platforms and Cisco IOS Software Images

Use Cisco Feature Navigator to find information about platform support and Cisco IOS software image support. Access Cisco Feature Navigator at <http://www.cisco.com/go/fn>. You must have an account on Cisco.com. If you do not have an account or have forgotten your username or password, click **Cancel** at the login dialog box and follow the instructions that appear.

Contents

- [Prerequisites for V.92 and V.44 Support for Digital Modems, page 260](#)
- [Restrictions for V.92 Support for Digital Modems, page 260](#)
- [Information About V.92 and V.44 Support for Digital Modems, page 260](#)
- [How to Use the V.92 and V.44 Support for Digital Modems Feature, page 266](#)
- [Additional References, page 267](#)



Americas Headquarters:
Cisco Systems, Inc., 170 West Tasman Drive, San Jose, CA 95134-1706 USA

Prerequisites for V.92 and V.44 Support for Digital Modems

Client modem vendors must supply their own utilities to enable the V.92 Modem on Hold feature with each client modem.

Restrictions for V.92 Support for Digital Modems

- Cisco modems do not support pulse code modulation (PCM) upstream as defined in the V.92 International Telecommunication Union (ITU) standard. Cisco hardware will, however, interoperate with modems that support PCM upstream.
- There is no standard method for notifying remote or user applications that a modem session has been placed on hold. Extending timeouts or increasing the maximum number of attempts to perform certain operations might be necessary. No e-mail data should be lost because of on-hold times.
- When a modem on hold (MOH) transaction returns to the data-connected state, it retains the same IP network connection. Any other connected application might not be returned to its prior state, depending on the application's data transaction requirements during the MOH active state.
- Configuration of the features described in this document using S-registers is carried out by using modemcaps (modem attention or AT commands). Cisco IOS software does not check these values to guarantee that they are valid. The behavior of invalid values is determined by the module.
- Authorization of MOH is not provided as a standard service by RADIUS. However, RADIUS provides a vendor-specific attribute (VSA) capability that can be used to extend authorization mechanisms. This capability is already used by Cisco routers to provide other custom services.
- Cisco IOS software is packaged as multiple program image types with varying capabilities. Because not all modem interfaces support MOH and because images may be built to support specific modem types, not all software images contain functions to control MOH. In addition, the modems that do support MOH each implement their control functions differently. Therefore, registry functions are used to interface between RADIUS, local authorization, and MOH control for modems.
- Server-initiated MOH is not supported.
- During a suspended modem session, some data might be dropped. The ISP idle timer, which disconnects a dial-in user if no data is exchanged for a period of time, should be reset and suspended while a connection is on hold.

**Note**

Many client modems used in Europe are known to have problems with the MOH feature. The vendors are aware of the issue and are working to correct it. If you are a customer having trouble with the MOH feature in Europe, we suggest that you contact the client modem vendor to verify that the modem complies with the telephony signaling for call waiting, caller ID, and three-way calling in their particular country.

Information About V.92 and V.44 Support for Digital Modems

The following sections provide information about the V.92 and V.44 Support for Digital Modems feature.

- [ITU-T V.92 Modem Standard, page 261](#)
- [V.44 LZJH Compression, page 265](#)

ITU-T V.92 Modem Standard

The ITU-T V.90 modem standard recommendations have been enhanced with V.92, a new standard that meets the need for a digital modem and analog modem pair on the Public Switched Telephone Network (PSTN). V.92 improves the upstream data signaling rate and adds new features that enhance modem usability.

This feature supports the following parts of the V.92 modem standard:

- V.92 Modem on Hold
- V.92 Quick Connect

V.92 is implemented at the modem level as new modem protocols and standards. The new V.92 features co-reside with existing portware features and have no impact on the hardware configuration of either the hex MICA technologies module (HMM) or dual MICA technologies module (DMM), including on memory requirements.

V.92 Modem on Hold

V.92 Modem on Hold allows a dial-in customer to suspend a modem session to answer an incoming voice call or to place an outgoing call while engaged in a modem session.

When the dial-in customer uses V.92 Modem on Hold to suspend an active modem session to engage in an incoming voice call, the Internet service provider (ISP) modem listens to the original modem connection and waits for the dial-in modem to resume the connection. When the voice call ends, the modem signals the telephone system to end the second call and return to the original modem connection, then the modem signals the ISP modem that it is ready to resume the modem call. Both modems renegotiate the connection, and the original exchange of data continues.

**Note**

This feature is designed for use on telephone lines that are configured for the call-waiting service; call-waiting signals trigger the suspension of the modem session. If call-waiting service is not present on the subscriber's line, callers receive a busy signal, and the modem session is not interrupted.

Use of the V.92 Modem on Hold feature for Cisco MICA portware can be controlled globally using AT commands (modemcaps) or can be controlled on a per-caller basis using the RADIUS distributed client/server system. (You are not required to have a RADIUS server to use the V.92 Modem on Hold feature.)

V.92 Modem on Hold AT Commands and S-Registers

V.92 Modem on Hold is disabled by default and is controlled with standard AT commands and S-registers. V.92 is enabled and disabled with the S29 S-register (S29 = 12), and MOH is controlled with the S62 S-register (S62 must be set to enable MOH). AT commands download the configuration to the modem at the end of every call. The **ATSn=v** and **ATSn?** AT commands are used to configure the V.92 Modem on Hold feature on Cisco MICA platforms. [Table 1](#) lists additional S-register parameters used to enable and disable the feature.

Table 1 V.92 Modem on Hold S-Registers

Name	Register	Index	Default	Description
MOH Timeout	S62	63	0 MOH Disabled	0: MOH Disabled 1: 10 seconds 2: 20 seconds 3: 30 seconds 4: 40 seconds 5: 1 minute 6: 2 minutes 7: 3 minutes 8: 4 minutes 9: 6 minutes 10: 8 minutes 11: 12 minutes 12: 16 minutes 13: No limit

To disable V.92 Modem on Hold, you can use a modemcap (for example, `s62=0s63=3s21=15s29=12`) or set the S29 register to any number other than 12. You can also use the RADIUS VSA to disable MOH if the feature was initially enabled by the default value (modemcap).

**Note**

If the feature is enabled using `S29=12` and V.92 Modem on Hold is disabled using `S62=0`, statistics for the number of times a dial-in customer requests an on-hold function are tracked in the MOH link information parameters. However, completely disabling the feature by setting S29 to a value other than 12 disables the reporting of all MOH statistics.

For detailed information about the AT commands and S-registers used to control V.92 on Cisco MICA platforms, refer to the [AT Command Set and Register Summary for MICA 6-Port Modules](#).

RADIUS Authorization

Per-user control of V.92 Modem on Hold can be configured for caller authorization using a RADIUS server. RADIUS servers use the VSA capability to configure MOH for individual users. The current attribute=value protocol syntax has been extended with the new Modem on Hold attribute. You can enter an unsigned integer in the range from 0 through 65,535 that represents the maximum number of seconds that a modem may remain on hold, and which can extend from 10 seconds to an unlimited number of minutes.

**Note**

Although the integer attribute values can be specified as any value in a contiguous range, V.92 specifications limit configuration to a limited set of values. Attribute values are rounded down to the next permitted value when they are used to configure a modem.

Alternatively, you can enter the **inf** keyword, which allows the modem to remain on hold indefinitely.

If the V.92 Modem on Hold configuration is not present, or if it is not syntactically correct, the modem uses its default configuration for MOH. The default operation can be modified by using a modemcap string. Following authentication of a dial-in user, an additional control command is sent to the modem if the dial-in user does not have a default MOH configuration.

**Note**

Code space requirements for RADIUS support is less than 2 KBs. There are no additional data space requirements.

V.92 Modem on Hold running on systems using RADIUS authorization increases the length of RADIUS response packets by approximately 20 bytes. RADIUS databases increase in size by approximately the same amount for each dial-in user with a nondefault MOH attribute value.

With RADIUS, authentication and authorization occur as part of the same process. When a caller connects to the access server, the caller enters a user ID and password in response to prompts from the access server. This information is formatted as a RADIUS request packet and is sent to the appropriate RADIUS server. If the user ID is valid and the password matches, the RADIUS server responds with a packet containing authorization data for the connection. This authorization data contains the MOH configuration if it is present in the RADIUS database.

The access server interprets the response from the RADIUS server and performs any actions associated with the authorization data. For V.92 Modem on Hold, a command is sent from the Cisco IOS host to the Cisco MICA channel to set the MOH parameters. No confirmation from the channel is required.

When the client modem requests a V.92 Modem on Hold operation, the modem switches to an on-hold state, which prevents further data from being queued to the connection. When the Cisco IOS software receives the request to go on hold, any transmit packets queued to local Cisco IOS queues (packets not already posted to the queues shared between the Cisco IOS software and the modem) are discarded. This mechanism reduces the possibility that stale data will be transmitted to the modem when the connection is reactivated. It also reduces the number of buffer resources that are unavailable while a modem is on hold.

**Note**

When a RADIUS server is used, placement of commas is important. The asterisk in the modem-on-hold attribute indicates that the attribute is optional. If a modem does not support V.92 Modem on Hold, then the call might continue anyway. If the asterisk is replaced by an equal sign (=), the attribute is required, and modems that do not support MOH terminate the calls following authentication. The value of the attribute is the number of seconds allowed for the on-hold state. This value is rounded down by the Cisco IOS software to one of the permissible values. The number can be replaced with the **inf** command, which allows unlimited on-hold time. Case is significant for both attribute names and values.

**Note**

If your router is configured for RADIUS, the RADIUS server must be accessible to the router. The server must also be capable of responding to authentication requests with VSA attributes.

V.92 Quick Connect

V.92 Quick Connect speeds up the client-to-server startup negotiation, reducing the overall connect time by up to 30 percent. The client modem retains line condition information and characteristics of the connection to the ISP, which reduces connect time by avoiding some of the initial signal handshaking.

V.92 Quick Connect AT Commands and S-Registers

V.92 Quick Connect is enabled by default and is controlled with standard AT commands and S-registers. S29 is used to enable V.92 sequence detection and S63 is used to enable V.92 Quick Connect, both of which are enabled by default. The S63 S-register controls the feature through the ANSpcm signal. You can choose the power level of the ANSpcm signal, which defaults to -12 dBm (the transmit power level for the United States). The **ATSn=v** and **ATSn?** AT commands are used to configure V.92 Quick Connect on Cisco MICA platforms.

To disable V.92 Quick Connect or to set a different ANSpcm value, you can use a modemcap (for example, v92_v44:MSC=s62=8s63=0s21=15s29=12), or you can set the S29 register to any number other than 12. [Table 2](#) lists the S-registers used to enable and disable the V.92 Quick Connect feature.

Table 2 Quick Connect (QC) Config S-Registers

Name	Register	Index	Default	Description
V.92 QC Config	S63	64	0x3 QC Enabled ANSpcm Level -12 dBm	Bit 0: QC Enable 0: Disabled 1: Enabled Bits 1–2 ANSpcm Level 00: -9 dBm 01: -12 dBm 10: -15 dBm 11: -18 dBm

**Note**

If the V.92 Modem on Hold feature is enabled using S29=12, and QC is disabled using S63=0, then the QC Exchange Link Information Parameter is updated to show if QC was requested. However, completely disabling the feature by setting S29 to a value other than 12 disables the reporting of QC requests.

For detailed information about the AT commands and S-registers that are used to configure the V.92 Quick Connect feature on Cisco MICA platforms, refer to the [AT Command Set and Register Summary for MICA 6-Port Modules](#).

V.44 LZJH Compression

V.44 LZJH is a new compression standard based on Lempel-Ziv that uses a new string-matching algorithm that increases upload and download speeds to make Internet access and Web browsing faster. The V.44 call success rate (CSR) is similar to V.42bis with significant compression improvement for most file types, including HTML files. V.44 applies more millions of instructions per second than V.42bis toward the same application data stream and yields better compression rates in almost any data stream in which V.42bis shows positive results.

V.44 supports automatic switching between compressed and transparent modes on supported platforms. Automatic switching allows overall performance gain without loss in throughput for file streams that are not compressible.

V.44 is globally controlled through dialed number identification service (DNIS), calling line identification (CLID), and resource pool manager server (RPMS) virtual groups, and performance improvement is determined by the LZJH algorithms.

To support V.44 LZJH compression, the control switch module (CSM) has been modified. MIBs that show the status of V.42bis have been extended to show V.44 configuration status. New disconnect reasons help manage V.44 session status and debugging.

V.44 AT Commands and S-Registers

V.44 compressor/decompressor optimizes throughput and the CSR using the standard AT command interface. New AT commands are provided so that V.44 can be enabled or disabled at the modem level. Modemcaps (dial in) or chat scripts (dial out) are required to enable or disable V.44 globally on the access server.

The AT command interface supports new S-registers for tuning V.44 negotiation parameters and lets you monitor V.44 configuration and session status. The **ATSn=v** AT command is used to configure V.44, and the **ATSn?**, **AT%R**, and **AT\S** commands are used for obtaining V.44 status. These commands modify the operation of S21 to enable and disable the algorithm.

[Table 3](#) shows the S21 register values, and [Table 4](#) shows additional S-register values used with the V.44 feature. V.44 is enabled by default.

Table 3 V.44 S-Registers (Existing)

Name	Register	Index	Default	New Values
Data Compression	S21	NextPort 0x800b MICA 11	0xf	Bit 2: V.44 Tx Bit 3: V.44 Rx

Table 4 V.44 S-Registers (Redefined)

Name	Register	Index	Default	Description
V.44 Max Tx Codewords	S65	NextPort 0x8042 MICA 66	2048	256–2048
V.44 Max Rx Codewords	S66	NextPort 0x8043 MICA 67	2048	256–2048
V.44 Max Tx String Length	S67	NextPort 0x8044 MICA 68	255	0–255 characters
V.44 Max Rx String Length	S68	NextPort 0x8045 MICA 69	255	0–255 characters
V.44 Max Tx History Size	S69	NextPort 0x8046 MICA 70	10240	256–10240 bytes
V.44 Max Rx History Size	S70	NextPort 0x8047 MICA 71	10240	256–10240 bytes

How to Use the V.92 and V.44 Support for Digital Modems Feature

Cisco IOS software is responsible for controlling the features and displaying the new statistics. There are no tasks associated with configuring this feature. However, you may find the following table listing commands for monitoring digital modems that support the V.92 and V.44 modem standards useful.

- [Monitoring Cisco Modems, page 266](#)

Monitoring Cisco Modems

To monitor Cisco digital modems that support the V.92 and V.44 modem standards, use the following **show** commands in privileged EXEC mode:

Command	Purpose
Router# show modem	Displays a high-level performance report for all the modems or a single modem.
Router# show modem call-stats	Displays the local disconnect reasons for all modems inside an access server or router.
Router# show modem configuration	Displays the current modem configuration for digital Cisco MICA technologies modems.
Router# show modem log	Displays the modem event log with oldest event first.
Router# show modem operational-status	Displays the operational status of the specified ports or the specified port range.

Configuration Examples

None.

Additional References

For additional information related to V.92 and V.44 Support for Digital Modems feature, refer to the following references:

Related Documents

Related Topic	Document Title
Modem commands	Cisco IOS Dial Technologies Command Reference
Modem configuration and management	Cisco IOS Dial Technologies Configuration Guide
AT Commands and S Registers	AT Command Set and Register Summary for MICA 6-Port Modules

Standards

Standards ¹	Title
ITU-T	V.92 — “Enhancements to Recommendation V.90”
ITU-T	V.44 — “Data Compression Procedures”

1. Not all supported standards are listed.

MIBs

MIBs	MIBs Link
Table 5, Table 6, and Table 7 provide Cisco MIBs for the V.92 Modem on Hold and V.44 MIBs.	To obtain lists of supported MIBs by platform and Cisco IOS release, and to download MIB modules, go to the Cisco MIB website on Cisco.com at the following URL: http://www.cisco.com/public/sw-center/netmgmt/cmtk/mibs.shtml

Table 5 Modem On Hold MIBs (Existing)

MIBs	Attribute	New Values	
CISCO-MODEM-MGMT-MIB	cmDisconnectReason	modemDrMohClrd	87
		modemDrMohTimeout	88

Table 6 V.44 MIBs (Existing)

MIBs	Attribute	New Values	
CISCO-MODEM-MGMT-MIB	cmDisconnectReason	modemDrDcIllegalCodewordStepup	94
		modemDrDcIllegalTokenEmptyNode	95
		modemDrDcIllegalTokenTooLarge	96
		modemDrDcReservedCommand	97
		modemDrDcIllegalCharacterSizeStepup	98
		modemDrDcRxDictionaryFull	99
		modemDrDcRxHistoryFull	100
		modemDrDcRxStringSizeExceeded	101
		modemDrDcNegotiationError	102
		modemDrDcCompressionError	103
CISCO-CALL-TRACKER-MODEM-MIB	CctmDataCompression	v44Tx	6
		v44Rx	7
		v44Both	8

Table 6 V.44 MIBs (Existing)

MIBs	Attribute	New Values	
CISCO-CALL-TRACKER-MODEM-MIB	cctmActiveSupportedDC	v44Rx v44Tx	Bit 3 Bit 4
CISCO-CALL-TRACKER-MODEM-MIB	cctmHistorySupportedDC	v44Rx v44Tx	Bit 3 Bit 4

Table 7 V.44 MIBs (Redefined)

MIBs	Attribute	Value	Old Name	New Name
CISCO-MODEM-MGMT-MIB	cmDisconnectReason	41	modemDrBadV42bisRxdata	modemDrDc GeneralError

To locate and download MIBs for selected platforms, Cisco IOS releases, and feature sets, use Cisco MIB Locator found at the following URL:

<http://tools.cisco.com/ITDIT/MIBS/servlet/index>

To obtain lists of supported MIBs by platform and Cisco IOS release, and to download MIB modules, go to the Cisco MIB website on Cisco.com at the following URL:

<http://www.cisco.com/public/sw-center/netmgmt/cmtk/mibs.shtml>

To access Cisco MIB Locator, you must have an account on Cisco.com. If you have forgotten or lost your account information, send a blank e-mail to cco-locksmith@cisco.com. An automatic check will verify that your e-mail address is registered with Cisco.com. If the check is successful, account details with a new random password will be e-mailed to you.

Qualified users can establish an account on Cisco.com by following the directions found at this URL:

<http://www.cisco.com/register>

RFCs

RFCs	Title
None	—

Technical Assistance

Description	Link
<p>The Cisco Support website provides extensive online resources, including documentation and tools for troubleshooting and resolving technical issues with Cisco products and technologies.</p> <p>To receive security and technical information about your products, you can subscribe to various services, such as the Product Alert Tool (accessed from Field Notices), the Cisco Technical Services Newsletter, and Really Simple Syndication (RSS) Feeds.</p> <p>Access to most tools on the Cisco Support website requires a Cisco.com user ID and password.</p>	http://www.cisco.com/public/support/tac/home.shtml

Cisco and the Cisco Logo are trademarks of Cisco Systems, Inc. and/or its affiliates in the U.S. and other countries. A listing of Cisco's trademarks can be found at www.cisco.com/go/trademarks. Third party trademarks mentioned are the property of their respective owners. The use of the word partner does not imply a partnership relationship between Cisco and any other company. (1005R)

Any Internet Protocol (IP) addresses and phone numbers used in this document are not intended to be actual addresses and phone numbers. Any examples, command display output, network topology diagrams, and other figures included in the document are shown for illustrative purposes only. Any use of actual IP addresses or phone numbers in illustrative content is unintentional and coincidental.

© 2001-2008 Cisco Systems, Inc. All rights reserved.



V.92 Modem on Hold for Cisco AS5300 and Cisco AS5800 Universal Access Servers

Feature History

Release	Modification
12.2(2)XA	This feature was introduced on Cisco AS5350 and Cisco AS5400 universal gateways running NextPort firmware. This feature was introduced on the Cisco AS5300 universal access server running Cisco MICA Portware Version 2.9.1.0.
12.2(2)XB	This feature was supported with Cisco IOS Release 12.2(2)XB.
12.2(2)XB1	This feature was supported on Cisco AS5800 universal access servers.
12.2(11)T	This feature was integrated into Cisco IOS Release 12.2(11)T and support was added for the Cisco AS5300 and Cisco AS5800 platforms.

This feature module introduces the V.92 International Telecommunication Union Telecommunication Standardization Sector (ITU-T) standard Modem on Hold (MOH) feature with Cisco MICA portware for use with Cisco IOS Release 12.2(2)XB1 and 12.2(11)T.

This document includes the following sections:

- [Feature Overview, page 272](#)
- [Supported Platforms, page 280](#)
- [Supported Standards, MIBs, and RFCs, page 281](#)
- [Prerequisites, page 282](#)
- [Configuration Tasks, page 282](#)
- [Monitoring and Maintaining Modem on Hold, page 282](#)
- [Configuration Examples, page 282](#)
- [Command Reference, page 282](#)
- [Glossary, page 283](#)



Feature Overview

V.92

To remain current with industry needs, the ITU-T V.90 modem standard recommendations have been enhanced. The new standard, V.92, meets the need for a digital modem and analog modem pair on the Public Switched Telephone Network (PSTN). V.92 improves the upstream data signaling rate and adds new features that enhance modem usability.

This feature module introduces the V.92 [Modem on Hold](#) feature on Cisco AS5300 and Cisco AS5800 universal access servers with Cisco MICA Portware Version 2.9.1.0 and higher.



Note

The other feature introduced with the new V.92 standard is V.92 Quick Connect, which is documented in the *V.92 Quick Connect for Cisco AS5300 and Cisco AS5800 Universal Access Servers* feature module. V.92 Modem On Hold and V.92 Quick Connect can be enabled independently of each other.

V.92 is implemented at the modem level as new modem protocols and standards. The new V.92 features co-reside with existing portware features and have no impact on the hardware configuration of either the HMM or DMM (including memory requirements). Cisco IOS software is responsible for controlling the features and displaying the new statistics. V.92 and V.44 support is bound with the rest of the Cisco IOS device driver components.



Note

V.92 is packaged with V.44 in Cisco IOS software. For more information about V.44, refer to the *V.44 LZJH Compression for Cisco AS5300 and Cisco AS5800 Universal Access Servers* feature module.



Note

This feature does not support pulse code modulation (PCM) upstream as defined in the V.92 ITU standard. This feature does, however, interoperate with modems that support PCM upstream.

Modem on Hold

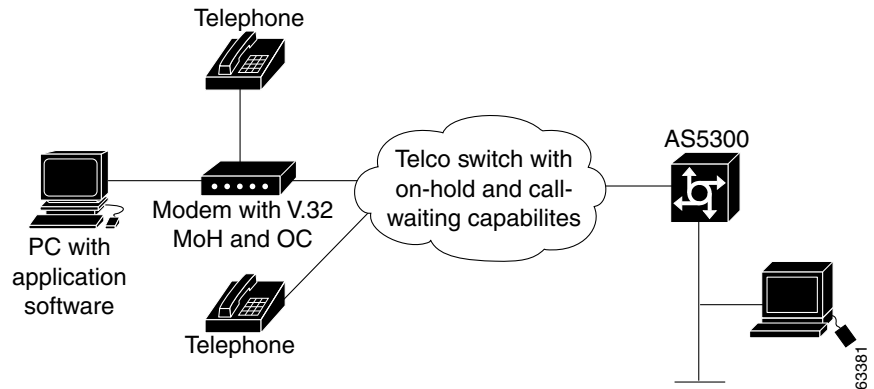
V.92 Modem on Hold allows a dial-in customer to suspend a modem session to answer an incoming voice call or to place an outgoing call while engaged in a modem session. When the dial-in customer uses Modem on Hold to suspend an active modem session to engage in an incoming voice call, the Internet service provider (ISP) modem listens to the original modem connection and waits for the dial-in customer's modem to resume the connection. When the voice call ends, the modem signals the telephone system to end the second call and return to the original modem connection, then the modem signals the ISP modem that it is ready to resume the modem call. Both modems renegotiate the connection, and the original exchange of data continues.



Note

This feature is designed for use on telephone lines that are configured for call-waiting service; call-waiting signals trigger the suspension of the modem session. If call-waiting service is not present on the subscriber's line, callers receive a busy signal, and the modem session is not interrupted.

Figure 1 V.92 Modem on Hold for Cisco AS5300 and Cisco AS5800 Universal Access Servers



Use of the V.92 Modem on Hold feature for Cisco MICA portware can be controlled globally using AT commands (modemcaps) or can be controlled on a per-caller basis using the RADIUS distributed client/server system.



Note

You are not required to have a RADIUS server to use the Modem on Hold feature.

The following sections contain information about controlling the V.92 Modem on Hold feature:

- [AT Commands \(Modemcaps\) and S-Registers](#)
- [RADIUS Authorization](#)

AT Commands (Modemcaps) and S-Registers

V.92 Modem on Hold is disabled by default and is controlled with standard AT commands and S-registers. V.92 is enabled and disabled with the S29 S-register (S29 = 12), and Modem on Hold is controlled with the S62 S-register (S62 must be set to enable Modem on Hold). AT commands download the configuration to the modem at the end of every call. The **ATSn=v** and **ATSn?** AT commands are used to configure V.92 Modem on Hold on Cisco MICA platforms. Table 1 lists additional S-register parameters used to enable and disable the feature.

To disable V.92 Modem on Hold, you can use a modemcap (for example, s62=0s63=3s21=15s29=12) or set the S29 register to any number other than 12. You can also use the RADIUS vendor-specific attribute (VSA) to disable Modem on Hold if the feature was initially enabled by the default value (modemcap).



Note

If the feature is enabled using S29=12 and Modem on Hold is disabled using S62=0, statistics for the number of times a dial-in customer requests an on-hold are tracked in the MOH link information parameters. However, completely disabling the feature by setting S29 to a value other than 12 disables the reporting of all MOH statistics.

Table 1 V.92 Modem on Hold S-Registers

Name	Register	Index	Default	Description
Modem standard	S29	MICA 19	12 (V.92 enabled)	0 = V.34bis Automode, with V.32ter 1 = V.34bis Automode, without V.32ter 2 = reserved 3 = V.32bis Automode 4 = V.22bis Automode 5 = K56Flex 1.1 Automode 6 = V.90 Automode 7 = MICA:SS7/COT 8 = V.110 9 = Reserved 10 = Reserved 11 = Reserved 12 = V.92 Auto-mode
MOH timeout	S62	MICA 63	0	0: MOH disabled 1: 10 seconds 2: 20 seconds 3: 30 seconds 4: 40 seconds 5: 1 minute 6: 2 minutes 7: 3 minutes 8: 4 minutes 9: 6 minutes 10: 8 minutes 11: 12 minutes 12: 16 minutes 13: No limit

RADIUS Authorization

Per-user control of Modem on Hold can be configured for caller authorization using a RADIUS server. RADIUS servers use the vendor-specific attribute (VSA) capability to configure Modem on Hold for individual users. The current attribute=value protocol syntax has been extended with the new Modem on Hold attribute. You can enter the following value for this attribute:

- An unsigned integer in the range 0 through 65,535—Represents the maximum number of seconds that a modem may remain on hold, which can range from ten seconds to an unlimited number of minutes.

**Note**

Although the integer attribute values can be specified as any value in a contiguous range, V.92 specifications limit configuration to a limited set of values. Attribute values are rounded down to the next permitted value when they are used to configure a modem.

Alternatively, you can enter the **inf** keyword, which allows the modem to remain on hold indefinitely.

If the Modem on Hold configuration is not present, or if it is not syntactically correct, the modem uses its default configuration for Modem on Hold. The default operation can be modified by using a modemcap string. Following authentication of a dial-in user, an additional control command is sent to the modem if the dial-in user does not have a default Modem on Hold configuration.

**Note**

Code space requirements for RADIUS support is less than 2KBs. There are no additional data space requirements.

V.92 Modem on Hold running on systems using RADIUS authorization increases the length of RADIUS response packets by approximately 20 bytes. RADIUS databases increase in size by approximately the same amount for each dial-in user with a nondefault Modem on Hold attribute value.

With RADIUS, authentication and authorization occur as part of the same process. When a caller connects to the access server, the caller enters a user ID and password in response to prompts from the access server. This information is formatted as a RADIUS request packet and is sent to the appropriate RADIUS server. If the user ID is valid and the password matches, the RADIUS server responds with a packet containing authorization data for the connection. This authorization data contains the Modem on Hold configuration if it is present in the RADIUS database.

The access server interprets the response from the RADIUS server and performs any actions associated with the authorization data. For Modem on Hold, a command is sent from the Cisco IOS host to the Cisco MICA channel to set the Modem on Hold parameters. No confirmation from the channel is required.

When the client modem requests a Modem on Hold operation, the modem switches to an on-hold state, which prevents further data from being queued to the connection. When the Cisco IOS software receives the request to go on hold, any transmit packets queued to local Cisco IOS queues (packets not already posted to the queues shared between the Cisco IOS software and the modem) are discarded. This mechanism reduces the possibility that stale data will be transmitted to the modem when the connection is reactivated. It also reduces the number of buffer resources that are tied up while a modem is on hold.

**Note**

When using a RADIUS server, placement of commas is important. The asterisk in the modem-on-hold attribute indicates that the attribute is optional. If a modem does not support Modem on Hold, then the call might continue anyway. If the asterisk is replaced by an "=", the attribute is required, and modems that do not support Modem on Hold terminate the calls following authentication.

The value of the attribute is the number of seconds allowed for the on-hold state. This value is rounded by the Cisco IOS software to one of the permissible values. The number can be replaced with the **inf** command, which allows unlimited on-hold time. Case is significant for both attribute names and values.

**Note**

If your router is configured for RADIUS, the RADIUS server must be accessible to the router. The server must also be capable of responding to authentication requests with VSA attributes.

Configuring V.92 Modem on Hold with RADIUS

If you use Radius to configure the Modem on Hold feature, use the modem-on-hold attribute, where the VALUE attribute is a nonnegative integer in seconds for maximum time on hold allowed. VALUE can be one of the following:

- modem-on-hold=VALUE—MOH support is required for call to be accepted.
- modem-on-hold*VALUE—MOH support is optional.

The following example shows RADIUS enabled where Modem on Hold is optional:

```
vendor-specific=9:1:modem-on-hold*VALUE
```

**Note**

The examples shown below were established on the Cistron open-source server. Your server syntax may vary.

```
# This user can use MOH without time limits. (inf)
# MOH capability is not required for the connection (*)
testi Auth-Type = Local, Password = "test"
Service-Type = Login-User,
Cisco-AVPair = "modem-on-hold*inf"

# This user can use MOH for 30 seconds.
# MOH capability is not required for the connection.
test30 Auth-Type = Local, Password = "test"
Service-Type = Login-User,
Cisco-AVPair = "modem-on-hold*30"

# This user can not use MOH.
# MOH capability is not required for the connection.
test0 Auth-Type = Local, Password = "test"
Service-Type = Login-User,
Cisco-AVPair = "modem-on-hold*0"

# This user can not use MOH.
# But MOH capability IS required for the connection.
# If the user logs on to a device that does not support
# MOH (eg the console), he will be disconnected after
# authentication.
testr Auth-Type = Local, Password = "test"
Service-Type = Login-User,
Cisco-AVPair = "modem-on-hold=0"

# This user gets the default MOH setting.
# The default setting is disabled, unless overridden
# by a modemcap entry.
testx Auth-Type = Local, Password = "test"
Service-Type = Login-User

# This user can go on hold for 60 seconds
# in a PPP link. The service type determines
# which calls get the MOH setting.
lucy Auth-Type = Local, Password = "test"
Service-Type = Framed-User,
```



```
Cisco-AVPair = "modem-on-hold*60"
```

**Note**

The service type defines when the AVPair is applied. For different RADIUS servers, the Cisco-AVPair syntax might be different, but the value in quotes does not change. Case is important: The entire text in quotes must be lowercase.

For more information about using RADIUS, refer to the *Configuring RADIUS* documentation.

Modem Enhancements for V.92 Modem On Hold

The following modem enhancements have been made for the implementation of the V.92 Modem on Hold feature:

- [Disconnect Reasons](#)
- [Duration Limit Timer](#)
- [Modem on Hold Link Information Parameters](#)
- [Modem States](#)
- [New and Modified MIBs](#)

Disconnect Reasons

V.92 Modem on Hold Disconnect Reasons is the method by which a modem tells the Cisco IOS software (host) why it has terminated its session with a client through the Modem on Hold clear-down by modem and the Modem on Hold timeout values. [Table 2](#) lists the new Modem on Hold Disconnect Reasons.

Table 2 **Modem On Hold Disconnect Reasons**

Name	Description
DR_MOH_CLRD	Modem On Hold clear-down by modem
DR_MOH_TIMEOUT	Modem On Hold timeout value reached

Duration Limit Timer

The Modem on Hold duration limit timer is supported within dialed number ID service (DNIS), calling line ID (CLID), RADIUS (but not TACACS+), and global resource pool manager server (RPMS) virtual groups. This support permits ISPs to associate the Modem on Hold feature and its timer limit according to customer needs. When the Modem on Hold timer is active (a modem is on hold), it must take precedence over the idle timer. For example, if the idle value is five minutes and the Modem on Hold duration limit is ten minutes, the customer is permitted to be on another call for up to ten minutes without being disconnected after five minutes by the idle timer. The Modem on Hold timer value resets at the end of each on-hold session.

Modem on Hold Link Information Parameters

Table 3 **Modem on Hold Link Information Parameters**

Name	Description
MOH Status	0: Modem is not on hold 1: Modem is on hold
MOH Count	Number of times the modem is on hold

Table 3 **Modem on Hold Link Information Parameters**

Name	Description
MOH Request Count	Number of times the modem received Modem on Hold requests.
Total MOH Time	Total holding time: 65,535 seconds maximum
Current MOH Time	Current holding time: 65,535 seconds maximum
Call Waiting Retrains	Number of times a retrain occurred due to a call-waiting signal

Modem States

This feature supports modem states, which are discrete states that a modem transitions through, during, and after negotiation with a client modem. These states include the Modem on Hold input state, the Steady input state, and the Steady, Steady Retrain, and Terminate output states.

New and Modified MIBs

Existing MIBs that show the status of modem settings have been extended to show V.92 Modem on Hold configuration status. New MIBs have been created to report the incidence of V.92 Modem on Hold request calls coming into the server and to monitor on-hold status.

Supported Module Firmware and Cisco IOS Software

V.92 Modem on Hold is supported on the following:

- **Module Firmware**—The module firmware is a combination of modem (Digital Signal Processor or DSP) firmware and the module controller firmware. It is responsible for the collection of statistics and the actual implementation of V.92, including additional required state transitions.
- **Cisco IOS software**—The Cisco IOS software is responsible for the control and statistics reporting of the new features, including modemcaps, RADIUS authorization, and command-line interface (CLI) support. See the [“Related Documents” section on page 280](#) for information about new Cisco IOS Release features.
- **Boardware**—On the Cisco AS5300 and Cisco AS5800 with Cisco MICA Portware Version 2.9.1.0 only. The boardware runs on the Amazon carrier card and provides the interface between Cisco IOS and the Cisco MICA module.

Benefits**Allows Voice Calls Without Interruption of Existing Modem Connection**

V.92 Modem on Hold allows the origination and reception of voice calls without disturbing preexisting modem sessions. With Modem on Hold, calls can ring through to the dial-in user without requiring the expense of a second telephone line.

Per-Use Enabling

Service providers can enable Modem on Hold on a per-user basis for premium service opportunities.

Standard Modem Feature

V.92 is a standard modem feature that is offered as a no-cost upgrade to the installed system.

V.92 Compatibility

Modems that support V.92 are fully compatible with modems that do not support it. If a modem that supports Modem on Hold connects with a modem that does not support it, the modems will connect normally. However, the Modem on Hold function is not available for that call.

Restrictions

- Client modem vendors must supply their own utilities to enable Modem on Hold with each client modem.
- There is no standard method for notifying remote or user applications that a modem session has been placed on hold. Extending timeouts or increasing the maximum number of attempts to perform certain operations might be necessary. No e-mail data should be lost because of on-hold times.
- When a Modem on Hold transaction returns to the data-connected state, it retains the same IP network connection. Any other connected applications might not be returned to their prior state, depending on the application's data transaction requirements during the Modem on Hold active state.
- Configuration of these features using S-registers is carried out by using modemcaps (AT commands). Cisco IOS software does not check these values to guarantee that they are valid. The behavior of invalid values is determined by the module.
- Authorization of Modem on Hold is not provided as a standard service by RADIUS. However, RADIUS provides a vendor-specific attribute (VSA) capability that can be used to extend authorization mechanisms. This capability is already used by Cisco routers to provide other custom services.
- Cisco IOS software is packaged as multiple program image types with varying capabilities. Because not all modem interfaces support Modem on Hold and because images may be built to support specific modem types, not all software images contain functions to control Modem on Hold. In addition, the modems that do support Modem on Hold implement their control functions differently. Therefore, registry functions are used to interface between RADIUS, local authorization, and Modem on Hold control for modems.
- Server-initiated Modem on Hold is not supported.
- During a suspended modem session, some data might be dropped. The ISP idle timer, which disconnects a dial-in user if there is no data exchanged for a period of time, should be reset and suspended while a connection is on hold.

**Note**

Many client modems used in Europe are known to have problems with the Modem on Hold feature. The vendors are aware of the issue and are working to correct it. If you are having trouble with the Modem on Hold feature in Europe, it is suggested that the customer contact the client modem vendor to verify that the modem complies with the telephony signaling for call waiting, caller ID, and 3-way calling in their particular country.

Related Features and Technologies

- V.92 Quick Connect
- V.44 LZJH data compression service
- Mindspeed CSMv6 hardware solution

Related Documents

- *AT Command Set and Register Summary for MICA Six-Port Modules*
- *Call Tracker plus ISDN and AAA Enhancements for the Cisco AS5300*
- Cisco AS5300 documentation index
- Cisco AS5800 documentation index
- Cisco IOS Release 12.2 Master Indexes
- *Comparing NextPort SPE Commands to MICA Modem Commands*
- New Features in Release 12.2(2)XB
- *Release Notes for Cisco AS5300 Universal Access Servers, Cisco IOS Release 12.2(2)XA*
- *Release Notes for Cisco AS5300 Universal Access Servers, Cisco IOS Release 12.2(2)XB*
- Cisco IOS Release 12.2T Cross-Platform Release Notes
- Cisco AS5800 Universal Access Server Release Notes
- *Release Notes for Cisco MICA Portware Version 2.9.1.0 on Cisco AS5300 Universal Access Servers*
- *SPE and Firmware Download Enhancements*
- *V.44 LZJH Compression for Cisco AS5300 and Cisco AS5800 Universal Access Servers*
- *V.92 Quick Connect for Cisco AS5300 and Cisco AS5800 Universal Access Servers*

Supported Platforms

- Cisco AS5300
- Cisco AS5800

Table 4 Cisco IOS Release and Platform Support for this Feature

Platform	12.2(2)XA	12.2(2)XB	12.2XB1	12.2(11)T
Cisco AS5300	X	X	X	X
Cisco AS5800	Not supported	Not supported	X	X

Determining Platform Support Through Cisco Feature Navigator

Cisco IOS software is packaged in feature sets that support specific platforms. To get updated information regarding platform support for this feature, access Cisco Feature Navigator. Cisco Feature Navigator dynamically updates the list of supported platforms as new platform support is added for the feature.

Cisco Feature Navigator is a web-based tool that enables you to determine which Cisco IOS software images support a specific set of features and which features are supported in a specific Cisco IOS image. You can search by feature or release. Under the release section, you can compare releases side by side to display both the features unique to each software release and the features in common.

To access Cisco Feature Navigator, you must have an account on Cisco.com. If you have forgotten or lost your account information, send a blank e-mail to cco-locksmith@cisco.com. An automatic check will verify that your e-mail address is registered with Cisco.com. If the check is successful, account details with a new random password will be e-mailed to you. Qualified users can establish an account on Cisco.com by following the directions at <https://tools.cisco.com/RPF/register/register.do>

Cisco Feature Navigator is updated regularly when major Cisco IOS software releases and technology releases occur. For the most current information, go to the Cisco Feature Navigator home page at the following URL:

<http://www.cisco.com/go/fn>

Availability of Cisco IOS Software Images

Platform support for particular Cisco IOS software releases is dependent on the availability of the software images for those platforms. Software images for some platforms may be deferred, delayed, or changed without prior notice. For updated information about platform support and availability of software images for each Cisco IOS software release, refer to the online release notes or, if supported, Cisco Feature Navigator.

Supported Standards, MIBs, and RFCs

Standards

- V.44
- V.92 Modem on Hold
- V.92 Quick Connect

MIBs

- CISCO-MODEM-MGMT-MIB
- CISCO-CALL-TRACKER-MODEM-MIB

To locate and download MIBs for selected platforms, Cisco IOS releases, and feature sets, use Cisco MIB Locator found at the following URL:

<http://tools.cisco.com/ITDIT/MIBS/servlet/index>

If Cisco MIB Locator does not support the MIB information that you need, you can also obtain a list of supported MIBs and download MIBs from the Cisco MIBs page at the following URL:

<http://www.cisco.com/public/sw-center/netmgmt/cmtk/mibs.shtml>

To access Cisco MIB Locator, you must have an account on Cisco.com. If you have forgotten or lost your account information, send a blank e-mail to cco-locksmith@cisco.com. An automatic check will verify that your e-mail address is registered with Cisco.com. If the check is successful, account details with a new random password will be e-mailed to you. Qualified users can establish an account on Cisco.com by following the directions found at this URL:

<http://www.cisco.com/register>

RFCs

No new or changed RFCs are supported by this feature.

Prerequisites

- Cisco IOS Release 12.2(2)XA, 12.2(2)XB, or 12.2(11)T
- V.92 MOH Portware DSP program memory required (in 16-bit words): 500
- Less than 50k bytes needed for CP memory
- Basic configuration of the Cisco AS5300 or Cisco AS5800 universal access server
- Upgraded modem firmware (Cisco MICA portware 2.9.1.0)
- Modems must be capable of supporting Modem on Hold

Configuration Tasks

None

Monitoring and Maintaining Modem on Hold

Use the following **show** commands in privileged EXEC mode.

Command	Purpose
Router# show modem configuration	Displays the current modem configuration for digital Cisco MICA technologies modems.
Router# show modem log	Displays the event log with oldest event first.
Router# show modem operational-status	Displays the operational status of the specified ports or the specified port range.

Configuration Examples

None

Command Reference

The following commands are introduced or modified in the feature or features documented in this module. For information about these commands, see the *Cisco IOS Dial Technologies Command Reference* at http://www.cisco.com/en/US/docs/ios/dial/command/reference/dia_book.html. For information about all Cisco IOS commands, go to the Command Lookup Tool at <http://tools.cisco.com/Support/CLILookup> or to the *Cisco IOS Master Commands List*.

- **show modem configuration**
- **show modem log**
- **show modem operational-status**

Glossary

CLI—command-line interface.

CSMv6—Mindspeed modem hardware solution.

CSR—call success rate.

DFC—dial feature card.

DSP—Digital Signal Processor. Microprocessor on which the modulation/demodulation process is carried out.

ISP—Internet service provider.

ITU-T—International Telecommunication Union Telecommunication Standardization Sector.

LZJH—Lempel-Ziv-Jeff-Heath data compression algorithm used in V.44.

MICA—Modem ISDN channel aggregation. Used as a generic term to describe the Dial Technology Division (DTD) high-density modem technology.

MOH—Modem on Hold functionality specified in V.92.

NextPort—Device driver architecture for Cisco IOS software that supports the NextPort hardware and software interfaces. Supports the Universal Port concept.

PCM—pulse code modulation.

PSTN—Public Switched Telephone Network.

RADIUS—Remote Dial-In User Service. Database for authenticating modem and ISDN connections and for tracking connection time.

SPE—service processing element.

universal port—Concept of a single device that can terminate one digital signaling level zero (DS0) with a data modem, fax modem, ISDN, or voice solution.

QC—Quick Connect functionality specified in V.92.

V.44—ITU modem standard for LZJH data compression algorithm.

V.92—ITU modem standard that contains Quick Connect, Modem On Hold, and PCM upstream.

VSA—vendor-specific attribute (as used with RADIUS).

Cisco and the Cisco Logo are trademarks of Cisco Systems, Inc. and/or its affiliates in the U.S. and other countries. A listing of Cisco's trademarks can be found at www.cisco.com/go/trademarks. Third party trademarks mentioned are the property of their respective owners. The use of the word partner does not imply a partnership relationship between Cisco and any other company. (1005R)

Any Internet Protocol (IP) addresses and phone numbers used in this document are not intended to be actual addresses and phone numbers. Any examples, command display output, network topology diagrams, and other figures included in the document are shown for illustrative purposes only. Any use of actual IP addresses or phone numbers in illustrative content is unintentional and coincidental.

© 2001-2009 Cisco Systems, Inc. All rights reserved.



V.92 Modem on Hold for Cisco AS5350, Cisco AS5400, and Cisco AS5850 Universal Gateways

Feature History

Release	Modification
12.2(2)XA	This feature was introduced on Cisco AS5350 and Cisco AS5400 universal gateways running NextPort firmware.
12.2(2)XB	This feature was supported with Cisco IOS Software Release 12.2(2)XB.
12.2(2)XB1	This feature was supported on Cisco AS5800 universal access servers and Cisco AS5850 universal gateways.
12.2(11)T	This feature was integrated into Cisco IOS Release 12.2(11)T and support was added for the Cisco AS5350, Cisco AS5400, Cisco AS5800, and Cisco AS5850 platforms.

This feature module introduces the V.92 International Telecommunication Union Telecommunication Standardization Sector (ITU-T) standard Modem on Hold (MOH) feature on NextPort/DFC-108NP-bearing platforms for use with Cisco IOS Releases 12.2(2)XB1 and 12.2(11)T.

This document includes the following sections:

- [Feature Overview, page 286](#)
- [Supported Platforms, page 294](#)
- [Supported Standards, MIBs, and RFCs, page 295](#)
- [Prerequisites, page 296](#)
- [Configuration Tasks, page 296](#)
- [Monitoring and Maintaining Modem on Hold, page 296](#)
- [Configuration Examples, page 297](#)
- [Command Reference, page 297](#)



- [Glossary, page 298](#)

Feature Overview

V.92

To remain current with industry needs, the ITU-T V.90 modem standard recommendations have been enhanced. The new standard, V.92, meets the need for a digital modem and analog modem pair on the Public Switched Telephone Network (PSTN). V.92 improves the upstream data signaling rate and adds new features that enhance modem usability. These new modem protocols and standards are implemented at the modem level.

This feature module introduces the V.92 [Modem on Hold](#) feature on Cisco AS5350, Cisco AS5400, and Cisco AS5850 universal gateways and Cisco AS5800 universal access servers.

**Note**

The other feature introduced with the new V.92 standard is V.92 Quick Connect, which is documented in the *V.92 Quick Connect for Cisco AS5350, Cisco AS5400, and Cisco AS5850 Universal Gateways and Cisco AS5800 Universal Access Servers* feature module. V.92 Modem On Hold and V.92 Quick Connect can be enabled independently of each other.

NextPort firmware provides V.92 capabilities bundled with existing NextPort features. The NextPort Dial Feature Card (DFC-108NP) is responsible for the ITU implementation of V.92 and the collection of statistics related to the new features, including the new Modem States that occur with the additional negotiations for V.92. The statistics are collected by the dial feature card (DFC) but are passed to and stored in Cisco IOS software. Cisco IOS software is responsible for controlling the features and displaying the new statistics.

The Cisco AS5800 uses the NextPort high density dial termination card to implement this feature. Both voice and dial technologies are supported when used in a Cisco 5850 universal gateway.

**Note**

V.92 is packaged with V.44 in Cisco IOS software. For more information about V.44, refer to the *V.44 LZJH Compression for Cisco AS5350, Cisco AS5400, and Cisco AS5850 Universal Gateways and Cisco AS5800 Universal Access Servers* feature module.

Modem on Hold

V.92 Modem on Hold allows a dial-in customer to suspend a modem session to answer an incoming voice call or to place an outgoing call while engaged in a modem session. When the dial-in customer uses Modem on Hold to suspend an active modem session to engage in an incoming voice call, the Internet service provider (ISP) modem listens to the original modem connection and waits for the dial-in customer's modem to resume the connection. When the voice call ends, the modem signals the telephone system to end the second call and return to the original modem connection, then the modem signals the ISP modem that it is ready to resume the modem call. Both modems renegotiate the connection, and the original exchange of data continues.

**Note**

This feature is designed for use on telephone lines that are configured for call-waiting service; call-waiting signals trigger the suspension of the modem session. If call-waiting service is not present on the subscriber's line, other callers receive a busy signal, and the modem session is not interrupted.

Use of the V.92 Modem on Hold feature for Cisco NextPort firmware can be controlled globally using **AT** commands (modemcaps) or can be controlled on a per-caller basis using the RADIUS distributed client/server system.

**Note**

You are not required to have a RADIUS server to use the Modem on Hold feature.

The following sections contain information about controlling the V.92 Modem on Hold feature:

- [AT Commands \(Modemcaps\) and S-Registers](#)
- [RADIUS Authorization](#)

AT Commands (Modemcaps) and S-Registers

V.92 Modem on Hold is disabled by default and is controlled with standard **AT** commands and S-registers. V.92 is enabled and disabled with the S29 S-register (S29 = 12), and Modem on Hold is controlled with the S62 S-register (S62 must be set to enable Modem on Hold). **AT** commands download the configuration to the modem at the end of every call. The **ATSn=v** and **ATSn?** **AT** commands are used to configure V.92 Modem on Hold on NextPort platforms. [Table 1](#) lists additional S-register parameters used to enable and disable the feature.

To disable V.92 Modem on Hold, you can use a modemcap (for example, s62=0s63=3s21=15s29=12) or set the S29 register to any number other than 12. You can also use the RADIUS vendor-specific attribute (VSA) to disable Modem on Hold if the feature was initially enabled by the default value (modemcap).

**Note**

If the feature is enabled using S29=12 and Modem on Hold is disabled using S62=0, statistics for the number of times a dial-in customer requests an on-hold are tracked in the MOH link information parameters. However, completely disabling the feature by setting S29 to a value other than 12 disables the reporting of all MOH statistics.

Table 1 V.92 Modem on Hold S-Registers

Name	Register	Index	Default	Description
Modem standard	S29	NextPort 0x8013	12 (V.92 enabled)	0 = V.34 Automode, without V.32ter 1 = V.34 Automode, without V.32ter 2 = V.32ter Automode 3 = V.32bis Automode 4 = V.22bis Automode 5 = K56Flex 6 = V.90 Automode (V.92 builds only) 7 = (reserved) 8 = V.110 9 = (reserved) 10 = V.120 11 = Clear Channel 12 = V.92 Automode (V.92 builds only)
MOH timeout	S62	NextPort 0x803f	0	0: MOH disabled 1: 10 seconds 2: 20 seconds 3: 30 seconds 4: 40 seconds 5: 1 minute 6: 2 minutes 7: 3 minutes 8: 4 minutes 9: 6 minutes 10: 8 minutes 11: 12 minutes 12: 16 minutes 13: No limit

RADIUS Authorization

Per-user control of Modem on Hold can be configured for caller authorization using a RADIUS server. RADIUS servers use the vendor-specific attribute (VSA) capability to configure Modem on Hold for individual users. The current attribute=value protocol syntax has been extended with the new Modem on Hold attribute. You can enter the following value for this attribute:

- An unsigned integer in the range 0 through 65,535—Represents the maximum number of seconds that a modem may remain on hold, which can range from ten seconds to an unlimited number of minutes.

**Note**

Although the integer attribute values can be specified as any value in a contiguous range, V.92 specifications limit configuration to a limited set of values. Attribute values are rounded down to the next permitted value when they are used to configure a modem.

Alternatively, you can enter the **inf** keyword, which allows the modem to remain on hold indefinitely.

If the Modem on Hold configuration is not present, or if it is not syntactically correct, the modem uses its default configuration for Modem on Hold. The default operation can be modified by using a modemcap string. Following authentication of a dial-in user, an additional control command is sent to the modem if the dial-in user does not have a default Modem on Hold configuration.

**Note**

Code space requirements for RADIUS support is less than 2KBs. There are no additional data space requirements.

V.92 Modem on Hold running on systems using RADIUS authorization increases the length of RADIUS response packets by approximately 20 bytes. RADIUS databases increase in size by approximately the same amount for each dial-in user with a nondefault Modem on Hold attribute value.

With RADIUS, authentication and authorization occur as part of the same process. When a caller connects to the access server, the caller enters a user ID and password in response to prompts from the access server. This information is formatted as a RADIUS request packet and is sent to the appropriate RADIUS server. If the user ID is valid and the password matches, the RADIUS server responds with a packet containing authorization data for the connection. This authorization data contains the Modem on Hold configuration if it is present in the RADIUS database.

The access server interprets the response from the RADIUS server and performs any actions associated with the authorization data. For Modem on Hold, a command is sent from the Cisco IOS host to the NextPort channel to set the Modem on Hold parameters. No confirmation from the channel is required.

When the client modem requests a Modem on Hold operation, the modem switches to an on-hold state, which prevents further data from being queued to the connection. When the Cisco IOS software receives the request to go on hold, any transmit packets queued to local Cisco IOS queues (packets not already posted to the queues shared between the Cisco IOS software and the modem) are discarded. This mechanism reduces the possibility that stale data will be transmitted to the modem when the connection is reactivated. It also reduces the number of buffer resources that are tied up while a modem is on hold.

**Note**

When using a RADIUS server, placement of commas is important. The asterisk in the modem-on-hold attribute indicates that the attribute is optional. If a modem does not support Modem on Hold, then the call might continue anyway. If the asterisk is replaced by an "=", the attribute is required, and modems that do not support Modem on Hold terminate the calls following authentication.

The value of the attribute is the number of seconds allowed for the on-hold state. This value is rounded by the Cisco IOS software to one of the permissible values. The number can be replaced with the **inf** command, which allows unlimited on-hold time. Case is significant for both attribute names and values.

**Note**

If your router is configured for RADIUS, the RADIUS server must be accessible to the router. The server must also be capable of responding to authentication requests with VSA attributes.

Configuring V.92 Modem on Hold with RADIUS

If you use RADIUS to configure the Modem on Hold feature, use the modem-on-hold attribute, where the VALUE attribute is a nonnegative integer in seconds for maximum time on hold allowed. VALUE can be one of the following:

- modem-on-hold=VALUE—MOH support is required for call to be accepted.
- modem-on-hold*VALUE—MOH support is optional.

The following example shows RADIUS enabled where Modem on Hold is optional:

```
vendor-specific=9:1:modem-on-hold*VALUE
```



Note

The examples shown below were established on the Cistron open-source server. Your server syntax may vary.

```
# This user can use MOH without time limits. (inf)
# MOH capability is not required for the connection (*)
testi Auth-Type = Local, Password = "test"
Service-Type = Login-User,
Cisco-AVPair = "modem-on-hold*inf"

# This user can use MOH for 30 seconds.
# MOH capability is not required for the connection.
test30 Auth-Type = Local, Password = "test"
Service-Type = Login-User,
Cisco-AVPair = "modem-on-hold*30"

# This user can not use MOH.
# MOH capability is not required for the connection.
test0 Auth-Type = Local, Password = "test"
Service-Type = Login-User,
Cisco-AVPair = "modem-on-hold*0"

# This user can not use MOH.
# But MOH capability IS required for the connection.
# If the user logs on to a device that does not support
# MOH (eg the console), he will be disconnected after
# authentication.
testr Auth-Type = Local, Password = "test"
Service-Type = Login-User,
Cisco-AVPair = "modem-on-hold=0"

# This user gets the default MOH setting.
# The default setting is disabled, unless overridden
# by a modemcap entry.
testx Auth-Type = Local, Password = "test"
Service-Type = Login-User

# This user can go on hold for 60 seconds
# in a PPP link. The service type determines
# which calls get the MOH setting.
lucy Auth-Type = Local, Password = "test"
Service-Type = Framed-User,
Cisco-AVPair = "modem-on-hold*60"
```



Note

The service type defines when the AVPair is applied. For different RADIUS servers, the Cisco-AVPair syntax might be different, but the value in quotes does not change. Case is important: The entire text in quotes must be lowercase.

For more information about using RADIUS, refer to the *Configuring RADIUS* documentation.

Modem Enhancements for V.92 Modem On Hold

The following modem enhancements have been made for the implementation of the V.92 Modem on Hold feature:

- [Disconnect Reasons](#)
- [Duration Limit Timer](#)
- [Modem on Hold Link Information Parameters](#)
- [Modem States](#)
- [New and Modified MIBs](#)

Disconnect Reasons

V.92 Modem on Hold Disconnect Reasons is the method by which a modem tells the Cisco IOS software (host) why it has terminated its session with a client through the Modem on Hold clear-down by modem and the Modem on Hold timeout values. [Table 2](#) lists the new Modem on Hold Disconnect Reasons.

Table 2 *Modem On Hold Disconnect Reasons*

Name	Description
DR_MOH_CLRD	Modem On Hold clear-down by modem
DR_MOH_TIMEOUT	Modem On Hold timeout value reached

Duration Limit Timer

The Modem on Hold duration limit timer is supported within dialed number ID service (DNIS), calling line ID (CLID), RADIUS (but not TACACS+), and global resource pool manager server (RPMS) virtual groups. This support permits ISPs to associate the Modem on Hold feature and its timer limit according to customer needs. When the Modem on Hold timer is active (a modem is on hold), it must take precedence over the idle timer. For example, if the idle value is five minutes and the Modem on Hold duration limit is ten minutes, the customer is permitted to be on another call for up to ten minutes without being disconnected after five minutes by the idle timer. The Modem on Hold timer value resets at the end of each on-hold session.

Modem on Hold Link Information Parameters

Table 3 *Modem on Hold Link Information Parameters*

Name	Description
MOH Status	0: Modem is not on hold 1: Modem is on hold
MOH Count	Number of times the modem is on hold
MOH Request Count	Number of times the modem received Modem on Hold requests.
Total MOH Time	Total holding time: 65,535 seconds maximum

Table 3 **Modem on Hold Link Information Parameters**

Name	Description
Current MOH Time	Current holding time: 65,535 seconds maximum
Call Waiting Retrains	Number of times a retrain occurred due to a call-waiting signal

Modem States

This feature supports modem states, which are discrete states that a modem transitions through, during, and after negotiation with a client modem. These states include the Modem on Hold input state, the Steady input state, and the Steady, Steady Retrain, and Terminate output states.

New and Modified MIBs

Existing MIBs that show the status of modem settings have been extended to show V.92 Modem on Hold configuration status. New MIBs have been created to report the incidence of V.92 Modem on Hold request calls coming into the server and to monitor on-hold status.

Supported Module Firmware and Cisco IOS Software

V.92 Modem on Hold is supported on the following firmware and software:

- **Module Firmware**—The module firmware is a combination of modem (Digital Signal Processor or DSP) firmware and the module controller firmware. It is responsible for the collection of statistics and the actual implementation of V.92, including additional required state transitions.
- **Cisco IOS software**—The Cisco IOS software is responsible for the control and statistics reporting of the new features, including modemcaps, RADIUS authorization, and command-line interface (CLI) support. See the [“Related Documents” section on page 294](#) for information about new Cisco IOS Release features.

Benefits

Allows Voice Calls Without Interruption of Existing Modem Connection

V.92 Modem on Hold allows the origination and reception of voice calls without disturbing preexisting modem sessions. With Modem on Hold, calls can ring through to the dial-in user without requiring the expense of a second telephone line.

Per-Use Enabling

Service providers can enable Modem on Hold on a per-user basis for premium service opportunities.

Standard Modem Feature

V.92 is a standard modem feature that is offered as a no-cost upgrade to the installed system.

V.92 Compatibility

Modems that support V.92 are fully compatible with modems that do not support it. If a modem that supports Modem on Hold connects with a modem that does not support it, the modems will connect normally. However, the Modem on Hold function is not available for that call.

Restrictions

- Client modem vendors must supply their own utilities to enable Modem on Hold with each client modem.
- There is no standard method for notifying remote or user applications that a modem session has been placed on hold. Extending timeouts or increasing the maximum number of attempts to perform certain operations might be necessary. No e-mail data should be lost because of on-hold times.
- When a Modem on Hold transaction returns to the data-connected state, it retains the same IP network connection. Any other connected applications might not be returned to their prior state, depending on the application's data transaction requirements during the Modem on Hold active state.
- Configuration of these features using S-registers is carried out by using modemcaps (AT commands). Cisco IOS software does not check these values to guarantee that they are valid. The behavior of invalid values is determined by the module.
- Authorization of Modem on Hold is not provided as a standard service by RADIUS. However, RADIUS provides a vendor-specific attribute (VSA) capability that can be used to extend authorization mechanisms. This capability is already used by Cisco routers to provide other custom services.
- Cisco IOS software is packaged as multiple program image types with varying capabilities. Because not all modem interfaces support Modem on Hold and because images may be built to support specific modem types, not all software images contain functions to control Modem on Hold. In addition, the modems that do support Modem on Hold implement their control functions differently. Therefore, registry functions are used to interface between RADIUS, local authorization, and Modem on Hold control for modems.
- Server-initiated Modem on Hold is not supported
- During a suspended modem session, some data might be dropped. The ISP idle timer, which disconnects a dial-in user if there is no data exchanged for a period of time, should be reset and suspended while a connection is on hold.

**Note**

Many client modems used in Europe are known to have problems with the Modem on Hold feature. The vendors are aware of the issue and are working to correct it. If you are having trouble with the Modem on Hold feature in Europe, it is suggested that the customer contact the client modem vendor to verify that the modem complies with the telephony signaling for call waiting, caller ID, and 3-way calling in their particular country.

Related Features and Technologies

- V.92 Quick Connect
- V.44 LZJH data compression service
- Mindspeed CSMv6 hardware solution

Related Documents

- *AT Command Set and Register Summary for NextPort Platforms*
- Cisco AS5350 documentation index

- Cisco AS5400 documentation index
- Cisco AS5800 documentation index
- Cisco AS5850 documentation index
- Cisco AS5800 Universal Access Server Release Notes
- Cisco IOS Release 12.2 Master Indexes
- *Comparing NextPort SPE Commands to MICA Modem Commands*
- *Managing Port Services on the Cisco AS5400 Universal Gateway*
- *Managing and Troubleshooting the NextPort Dial Feature Card*
- New Features in Release 12.2(2)XB
- *NextPort Port Service Management for the Cisco AS5400 Universal Gateway*
- *Release Notes for Cisco AS5350 Universal Gateways for Cisco IOS Release 12.2 XA*
- *Release Notes for Cisco AS5350 and AS5350HPX Universal Gateways for Cisco IOS Release 12.2 XB*
- Cisco IOS Release 12.2T Cross-Platform Release Notes
- *SPE and Firmware Download Enhancements*
- *V.44 LZJH Compression for Cisco AS5350 and Cisco AS5400 Universal Gateways*
- *V.92 Quick Connect for Cisco AS5350 and Cisco AS5400 Universal Gateways*

Supported Platforms

- Cisco AS5350
- Cisco AS5400
- Cisco AS5800
- Cisco AS5850

Table 4 Cisco IOS Release and Platform Support for this Feature

Platform	12.2(2)XA	12.2(2)XB1	12.2(11)T
Cisco AS5350	X	X	X
Cisco AS5400	X	X	X
Cisco AS5800	Not supported	X	X
Cisco AS5850	Not supported	X	X

Determining Platform Support Through Cisco Feature Navigator

Cisco IOS software is packaged in feature sets that support specific platforms. To get updated information regarding platform support for this feature, access Cisco Feature Navigator. Cisco Feature Navigator dynamically updates the list of supported platforms as new platform support is added for the feature.

Cisco Feature Navigator is a web-based tool that enables you to quickly determine which Cisco IOS software images support a specific set of features and which features are supported in a specific Cisco IOS image. You can search by feature or release. Under the release section, you can compare releases side by side to display both the features unique to each software release and the features in common.

To access Cisco Feature Navigator, you must have an account on Cisco.com. If you have forgotten or lost your account information, send a blank e-mail to cco-locksmith@cisco.com. An automatic check will verify that your e-mail address is registered with Cisco.com. If the check is successful, account details with a new random password will be e-mailed to you. Qualified users can establish an account on Cisco.com by following the directions at <http://www.cisco.com/register>.

Cisco Feature Navigator is updated regularly when major Cisco IOS software releases and technology releases occur. For the most current information, go to the Cisco Feature Navigator home page at the following URL:

<http://www.cisco.com/go/fn>

Availability of Cisco IOS Software Images

Platform support for particular Cisco IOS software releases is dependent on the availability of the software images for those platforms. Software images for some platforms may be deferred, delayed, or changed without prior notice. For updated information about platform support and availability of software images for each Cisco IOS software release, refer to the online release notes or, if supported, Cisco Feature Navigator.

Supported Standards, MIBs, and RFCs

Standards

- V.44
- V.92 Modem on Hold
- V.92 Quick Connect

MIBs

- CISCO-MODEM-MGMT-MIB
- CISCO-CALL-TRACKER-MODEM-MIB

To locate and download MIBs for selected platforms, Cisco IOS releases, and feature sets, use Cisco MIB Locator found at the following URL:

<http://tools.cisco.com/ITDIT/MIBS/servlet/index>

If Cisco MIB Locator does not support the MIB information that you need, you can also obtain a list of supported MIBs and download MIBs from the Cisco MIBs page at the following URL:

<http://www.cisco.com/public/sw-center/netmgmt/cmtk/mibs.shtml>

To access Cisco MIB Locator, you must have an account on Cisco.com. If you have forgotten or lost your account information, send a blank e-mail to cco-locksmith@cisco.com. An automatic check will verify that your e-mail address is registered with Cisco.com. If the check is successful, account details with a new random password will be e-mailed to you. Qualified users can establish an account on Cisco.com by following the directions found at this URL:

<http://www.cisco.com/register>

RFCs

No new or changed RFCs are supported by this feature.

Prerequisites

- Cisco IOS Release 12.2(2)XB1 or 12.2(11)T.
- Minimum of 32K memory needed for bundled Cisco NextPort firmware
- Additional data space needed on the modem module (refer to Cisco NextPort documentation)
- Basic configuration of the Cisco AS5350, Cisco AS5400, Cisco AS5800, or Cisco AS5850
- Upgraded modem firmware
- NextPort DFC installed
- Modems must be capable of supporting Modem on Hold

Configuration Tasks

None

For additional information, refer to the following documents:

- V.44 LZJH Compression for Cisco AS5350, Cisco AS5400, and Cisco AS5850 Universal Gateways and Cisco AS5800 Universal Access Servers
- *V.92 Quick Connect for Cisco AS5350, Cisco AS5400, and Cisco AS5850 Universal Gateways and Cisco AS5800 Universal Access Servers*

Monitoring and Maintaining Modem on Hold

Use the following **show** commands in privileged EXEC mode.

Command	Purpose
Router# show spe modem active	Displays the modem service statistics of all active calls on specified service processing elements (SPEs).
Router# show spe modem disconnect-reason	Displays the digital disconnect reasons for the specified SPE or SPE range.
Router# show port operational-status	Displays the operational status of the specified ports or the specified port range.
Router# show port modem log	Displays the event log with oldest event first.
Router# show port configuration	Displays the configuration information for specified ports or the specified port range.
Router# show spe modem csr	Displays the call success rate (CSR) for the specified SPEs.

Command	Purpose
Router# <code>show spe modem summary</code>	Displays the modem service history statistics for specified SPEs.
Router# <code>show call calltracker active</code>	Displays the port level information stored within the Call Tracker active database for all active modem calls.

Configuration Examples

None

Command Reference

The following commands are introduced or modified in the feature or features documented in this module. For information about these commands, see the *Cisco IOS Dial Technologies Command Reference* at http://www.cisco.com/en/US/docs/ios/dial/command/reference/dia_book.html. For information about all Cisco IOS commands, go to the Command Lookup Tool at <http://tools.cisco.com/Support/CLILookup> or to the *Cisco IOS Master Commands List*.

- [show call calltracker active](#)
- [show port configuration](#)
- [show port modem log](#)
- [show port operational-status](#)
- [show spe modem active](#)
- [show spe modem csr](#)
- [show spe modem disconnect-reason](#)
- [show spe modem summary](#)

Glossary

CLI—command-line interface.

CSMv6—Mindspeed modem hardware solution.

CSR—call success rate.

DFC—dial feature card.

DSP—Digital Signal Processor. Microprocessor on which the modulation/demodulation process is carried out.

ISP—Internet service provider.

ITU-T—International Telecommunication Union Telecommunication Standardization Sector.

LZJH—Lempel-Ziv-Jeff-Heath data compression algorithm used in V.44.

MICA—Modem ISDN channel aggregation. Used as a generic term to describe the Dial Technology Division (DTD) high-density modem technology.

MOH—Modem on Hold functionality specified in V.92.

NextPort—Device driver architecture for Cisco IOS software that supports the NextPort hardware and software interfaces. Supports the Universal Port concept.

PCM—pulse code modulation.

PPP—Point-to-Point Protocol.

PSTN—Public Switched Telephone Network.

SPE—service processing element.

universal port—Concept of a single device that can terminate one digital signaling level zero (DS0) with a data modem, fax modem, ISDN, or voice solution.

QC—Quick Connect functionality specified in V.92.

V.44—ITU modem standard for LZJH data compression algorithm.

V.92—ITU modem standard that contains Quick Connect and Modem On Hold.

VSA—vendor specific attribute (RADIUS).

Cisco and the Cisco Logo are trademarks of Cisco Systems, Inc. and/or its affiliates in the U.S. and other countries. A listing of Cisco's trademarks can be found at www.cisco.com/go/trademarks. Third party trademarks mentioned are the property of their respective owners. The use of the word partner does not imply a partnership relationship between Cisco and any other company. (1005R)

Any Internet Protocol (IP) addresses and phone numbers used in this document are not intended to be actual addresses and phone numbers. Any examples, command display output, network topology diagrams, and other figures included in the document are shown for illustrative purposes only. Any use of actual IP addresses or phone numbers in illustrative content is unintentional and coincidental.

© 2001-2009 Cisco Systems, Inc. All rights reserved.



V.92 Quick Connect for Cisco AS5300 and Cisco AS5800 Universal Access Servers

Feature History

Release	Modification
12.2(2)XA	This feature was introduced on the Cisco AS5350 and Cisco AS5400 running NextPort firmware. Note As of July 18, 2001, this feature was introduced on the Cisco AS5300 running Cisco MICA Portware Version 2.9.1.0.
12.2(2)XB	This feature was supported with Cisco IOS Release 12.2(2)XB.
12.2(2)XB1	This feature was supported on Cisco AS5800.
12.2(11)T	This feature was integrated into Cisco IOS Release 12.2(11)T and support was added for the Cisco AS5300 and Cisco AS5800 platforms.

This feature module describes the V.92 International Telecommunication Union Telecommunication Standardization Sector (ITU-T) standard Quick Connect (QC) feature with Cisco MICA portware platforms using Cisco IOS Software Releases 12.2(2)XB1 and 12.2(11)T.

This document includes the following sections:

- [Feature Overview, page 300](#)
- [Supported Platforms, page 304](#)
- [Supported Standards, MIBs, and RFCs, page 305](#)
- [Prerequisites, page 305](#)
- [Configuration Tasks, page 305](#)
- [Configuration Examples, page 305](#)
- [Command Reference, page 306](#)
- [Glossary, page 307](#)



Feature Overview

V.92

To remain current with industry needs, the ITU-T V.90 modem standard recommendations have been enhanced. The new standard, V.92, meets the need for a digital modem and analog modem pair on the Public Switched Telephone Network (PSTN). V.92 improves the upstream data signaling rate and adds new features that enhance modem usability. These new modem protocols and standards are implemented at the modem level.

This feature module introduces the V.92 [Quick Connect](#) feature on Cisco AS5300 and Cisco AS5800 universal access servers with Cisco MICA Portware Version 2.9.1.0.

**Note**

The other feature introduced with the new V.92 standard is V.92 Modem on Hold, which is documented in the *V.92 Modem on Hold for Cisco AS5300 and Cisco AS5800 Universal Access Servers* feature module. V.92 Modem On Hold and V.92 Quick Connect can be enabled independently of each other.

V.92 is implemented at the modem level as new modem protocols and standards. The new V.92 features co-reside with existing portware features and have no impact on the hardware configuration of either the Hex Modem Module (HMM) or Double Density Modem Module (DMM), including memory requirements. Cisco IOS software is responsible for controlling the features and displaying the new statistics. V.92 and V.44 support is bound with the rest of the Cisco IOS device driver components.

**Note**

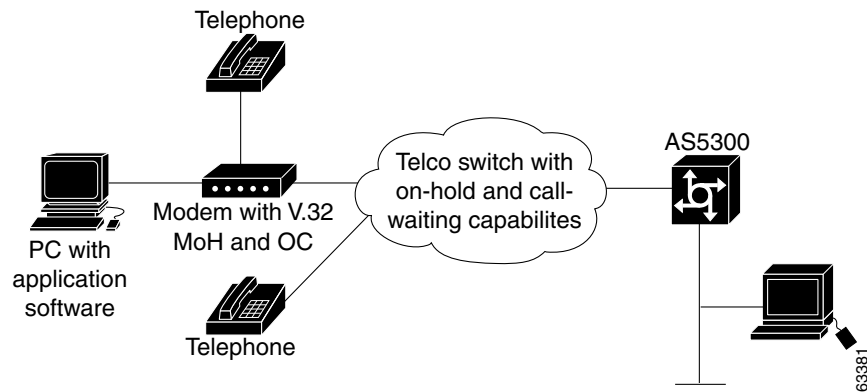
V.92 and V.44 are packaged together with Cisco IOS software. For more information about V.44, refer to the *V.44 LZJH Compression for Cisco AS5300 and Cisco AS5800 Universal Access Servers* feature module.

**Note**

This feature does not support pulse code modulation (PCM) upstream as defined in the V.92 ITU standard. This feature does, however, interoperate with modems that support PCM upstream.

Quick Connect

V.92 Quick Connect speeds up the client-to-server startup negotiation, reducing the overall connect time up to 30 percent. The client modem retains line condition information and characteristics of the connection to the Internet service provider (ISP), which reduces connect time by avoiding some of the initial signal handshaking.



Disconnect reasons and modem states and statistics (link information) have been added or modified to support V.92 Quick Connect. [Table 1](#) lists the new V.92 Quick Connect states, and [Table 2](#) lists the new link information parameters.

Table 1 Quick Connect States

Name	Description
Quick Connect	Phase 1 V.92 Quick Connect is being negotiated.
Steady QC	V.92 Quick Connect is being used to reconnect after a V.92 Modem on Hold exchange.
V.8bis Exchange	A V.8bis exchange is taking place.
Ranging	A full phase 2 trainup is taking place.
Ranging Short	A shortened phase 2, using V.92 Quick Connect, is taking place.
Half Duplex Train	Adaptive equalizer training has begun.

Table 2 Quick Connect Link Information Parameters

Name	Value
QC Exchange	0: No QC 1: QC Requested 2: QC Short Train Fail 3: QC Full Train Success 4: QC Short Train Success

AT Commands and S-Registers

V.92 Quick Connect is enabled by default and is controlled with standard **AT** commands and S-registers. S29 is used to enable V.92 sequence detection and S63 is used to enable Quick Connect negotiation, both of which are enabled by default. The S63 S-register controls the feature through the ANSPcm signal. You

can choose the power level of the ANSpem signal, which defaults to -12dBm (the transmit power level for the United States). The **ATS n = v** and **ATS n ? AT** commands are used to configure V.92 Quick Connect on Cisco MICA platforms.

To disable V.92 Quick Connect or to set a different ANSpem value, you can use a modemcap (for example, v92_v44:MSC=s62=8s63=0s21=15s29=12), or you can set the S29 register to any number other than 12. [Table 3](#) lists the S-registers used to enable and disable the V.92 Quick Connect feature.

Table 3 Configuring V.92 Quick Connect with S-Registers

Name	Register	Index	Default	Description
V.92 QC Configuration	S63	MICA 64	0x3 QC Enabled ANSpem Level -12 dBm	Bit 0: QC Enabled 0: Disabled 1: Enabled Bits 1–2 ANSpem Level 00: -9 dBm 01: -12 dBm 10: -15 dBm 11: -18 dBm
	S29	MICA 19	12 (V.92 enabled)	0 = V.34bis Automode, with V.32ter 1 = V.34bis Automode, without V.32ter 2 = reserved 3 = V.32bis Automode 4 = V.22bis Automode 5 = K56Flex 1.1 Automode 6 = V.90 Automode 7 = MICA:SS7/COT 8 = V.110 9 = Reserved 10 = Reserved 11 = Reserved 12 = V.92 Auto-mode



Note

If the V.92 Quick Connect feature is enabled using S29=12, and QC is disabled using S63=0, then the QC Exchange Link Information Parameter is updated to show if QC was requested. However, completely disabling the feature by setting S29 to a value other than 12 disables the reporting of QC requests.

For detailed information about the AT commands and S-registers that are used to configure the V.92 Quick Connect feature on Cisco MICA platforms, refer to the *AT Command Set and Register Summary for MICA 6-Port Modules*.

Benefits

Improved Port Use

This feature improves ISP port usage because of the reduction in connect time.

Standard Modem Feature

V.92 is a standard modem feature that is offered as a no-cost upgrade to the installed system.

Restrictions

- Configuration of these features using S-registers is carried out by using modemcaps (**AT** commands). Cisco IOS software does not check these values to guarantee that they are valid. The behavior of invalid values is determined by the module.
- Cisco IOS software is packaged as multiple program image types with varying capabilities. Because not all modem interfaces support Quick Connect and because images may be built to support specific modem types, not all software images contain functions to control Quick Connect. In addition, the modems that do support Quick Connect implement their control functions differently. Therefore, registry functions are used to interface between local authorization and Quick Connect control for modems.

Related Features and Technologies

- V.92 Modem on Hold
- V.44 LZJH data compression service
- Mindspeed CSMv6 hardware solution

Related Documents

- *AT Command Set and Register Summary for MICA Six-Port Modules*
- *Call Tracker plus ISDN and AAA Enhancements for the Cisco AS5300*
- Cisco AS5300 documentation index
- Cisco AS5800 documentation index
- Cisco IOS Release 12.2 Master Indexes
- *Release Notes for Cisco AS5300 Universal Access Servers, Cisco IOS Release 12.2(2)XA*
- *Release Notes for Cisco AS5300 Universal Access Servers, Cisco IOS Release 12.2(2)XB*
- Cisco IOS Release 12.2T Cross-Platform Release Notes
- Cisco AS5800 Universal Access Server Release Notes
- *Comparing NextPort SPE Commands to MICA Modem Commands*
- *Release Notes for Cisco MICA Portware Version 2.9.1.0 on Cisco AS5300 Universal Access Servers*
- New Features in Release 12.2(2)XB
- *SPE and Firmware Download Enhancements*

- *V.44 LZJH Compression for Cisco AS5300 and Cisco AS5800 Universal Access Servers*
- *V.92 Modem on Hold for Cisco AS5300 and Cisco AS5800 Universal Access Servers*

Supported Platforms

This feature is supported on the following Cisco platforms:

- Cisco AS5300
- Cisco AS5800

Table 4 Cisco IOS Release and Platform Support for this Feature

Platform	12.2(2)XA	12.2(2)XB	12.2(2)XB1	12.2(2)XB1
Cisco AS5300	X	X	X	X
Cisco AS5800	Not supported	Not supported	X	X

Determining Platform Support Through Cisco Feature Navigator

Cisco IOS software is packaged in feature sets that support specific platforms. To get updated information regarding platform support for this feature, access Cisco Feature Navigator. Cisco Feature Navigator dynamically updates the list of supported platforms as new platform support is added for the feature.

Cisco Feature Navigator is a web-based tool that enables you to determine which Cisco IOS software images support a specific set of features and which features are supported in a specific Cisco IOS image. You can search by feature or release. Under the release section, you can compare releases side by side to display both the features unique to each software release and the features in common.

To access Cisco Feature Navigator, you must have an account on Cisco.com. If you have forgotten or lost your account information, send a blank e-mail to cco-locksmith@cisco.com. An automatic check will verify that your e-mail address is registered with Cisco.com. If the check is successful, account details with a new random password will be e-mailed to you. Qualified users can establish an account on Cisco.com by following the directions at <https://tools.cisco.com/RPF/register/register.do>

Cisco Feature Navigator is updated regularly when major Cisco IOS software releases and technology releases occur. For the most current information, go to the Cisco Feature Navigator home page at the following URL:

<http://www.cisco.com/go/fn>

Availability of Cisco IOS Software Images

Platform support for particular Cisco IOS software releases is dependent on the availability of the software images for those platforms. Software images for some platforms may be deferred, delayed, or changed without prior notice. For updated information about platform support and availability of software images for each Cisco IOS software release, refer to the online release notes or, if supported, Cisco Feature Navigator.

Supported Standards, MIBs, and RFCs

Standards

- V.44
- V.92 Modem on Hold
- V.92 Quick Connect

MIBs

- CISCO-MODEM-MGMT-MIB
- CISCO-CALL-TRACKER-MODEM-MIB

To locate and download MIBs for selected platforms, Cisco IOS releases, and feature sets, use Cisco MIB Locator found at the following URL:

<http://tools.cisco.com/ITDIT/MIBS/servlet/index>

If Cisco MIB Locator does not support the MIB information that you need, you can also obtain a list of supported MIBs and download MIBs from the Cisco MIBs page at the following URL:

<http://www.cisco.com/public/sw-center/netmgmt/cmtk/mibs.shtml>

To access Cisco MIB Locator, you must have an account on Cisco.com. If you have forgotten or lost your account information, send a blank e-mail to cco-locksmith@cisco.com. An automatic check will verify that your e-mail address is registered with Cisco.com. If the check is successful, account details with a new random password will be e-mailed to you. Qualified users can establish an account on Cisco.com by following the directions found at this URL:

<http://www.cisco.com/register>

RFCs

No new or changed RFCs are supported by this feature.

Prerequisites

- Cisco IOS Release 12.2(2)XA, 12.2(2)XB, or 12.2(11)T
- Basic configuration of the Cisco AS5300 or Cisco AS5800
- Upgraded modem firmware (Cisco MICA portware 2.9.1.0)

Configuration Tasks

None

Configuration Examples

None

Command Reference

This feature uses no new or modified commands. For information about all Cisco IOS commands, go to the Command Lookup Tool at <http://tools.cisco.com/Support/CLILookup> or to the *Cisco IOS Master Commands List*.

Also see the following documentation for further information about V.92 and V.44 using Cisco MICA technology:

- *V.44 LZJH Compression for Cisco AS5300 and Cisco AS5800 Universal Access Servers*
- *V.92 Modem on Hold for Cisco AS5300 and Cisco AS5800 Universal Access Servers*

Glossary

CLI—command-line interface.

CSMv6—Mindspeed modem hardware solution.

CSR—call success rate.

DFC—dial feature card.

DSP—Digital Signal Processor. Microprocessor on which the modulation/demodulation process is carried out.

ISP—Internet service provider.

ITU-T—International Telecommunication Union Telecommunication Standardization Sector.

LZJH—Lempel-Ziv-Jeff-Heath data compression algorithm used in V.44.

MICA—Multi-service IOS Channel Aggregation. Used as a generic term to describe the Dial Technology Division (DTD) high density modem technology.

MOH—Modem on Hold functionality specified in V.92.

NextPort—Device driver architecture for Cisco IOS software that supports the NextPort hardware and software interfaces. Supports the universal port concept.

PCM—pulse code modulation.

PSTN—Public Switched Telephone Network.

RADIUS—Remote Dial-In User Service. Database for authenticating modem and ISDN connections and for tracking connection time.

SPE—service processing element.

QC—Quick Connect functionality specified in V.92

universal port—Concept of a single device that can terminate one digital signaling level zero (DS0) with a data modem, fax modem, ISDN, or voice solution.

V.44—ITU modem standard for LZJH data compression algorithm.

V.92—ITU modem standard that contains Quick Connect, Modem On Hold, and PCM upstream.

VSA—vendor specific attribute (as used with RADIUS).

Cisco and the Cisco Logo are trademarks of Cisco Systems, Inc. and/or its affiliates in the U.S. and other countries. A listing of Cisco's trademarks can be found at www.cisco.com/go/trademarks. Third party trademarks mentioned are the property of their respective owners. The use of the word partner does not imply a partnership relationship between Cisco and any other company. (1005R)

Any Internet Protocol (IP) addresses and phone numbers used in this document are not intended to be actual addresses and phone numbers. Any examples, command display output, network topology diagrams, and other figures included in the document are shown for illustrative purposes only. Any use of actual IP addresses or phone numbers in illustrative content is unintentional and coincidental.

© 2001–2009 Cisco Systems, Inc. All rights reserved.



V.92 Quick Connect for Cisco AS5350, Cisco AS5400, and Cisco AS5850 Universal Gateways and Cisco AS5800 Universal Access Servers

Feature History

Release	Modification
12.2(2)XA1 and 2	This feature was introduced on Cisco AS5350 and Cisco AS5400 universal gateways running NextPort firmware.
12.2(2)XB1 and 2	This feature was supported with Cisco IOS Software Release 12.2(2)XB1 and 2.
12.2(11)T	This feature was integrated into Cisco IOS Release 12.2(11)T and support was added for the Cisco AS5350, Cisco AS5400, Cisco AS5800, and Cisco AS5850 platforms.

This feature module introduces the V.92 International Telecommunication Union Telecommunication Standardization Sector (ITU-T) standard Quick Connect (QC) feature on NextPort/DFC108-bearing platforms using Cisco IOS Software Releases 12.2(2)XA, 12.2(2)XB, and 12.2(11)T.

This document includes the following sections:

- [Feature Overview, page 310](#)
- [Supported Platforms, page 314](#)
- [Supported Standards, MIBs, and RFCs, page 315](#)
- [Prerequisites, page 316](#)
- [Configuration Tasks, page 316](#)
- [Configuration Examples, page 316](#)
- [Command Reference, page 316](#)
- [Glossary, page 317](#)



Americas Headquarters:
Cisco Systems, Inc., 170 West Tasman Drive, San Jose, CA 95134-1706 USA

Feature Overview

V.92

To remain current with industry needs, the ITU-T V.90 modem standard recommendations have been enhanced. The new standard, V.92, meets the need for a digital modem and analog modem pair on the Public Switched Telephone Network (PSTN). V.92 improves the upstream data signaling rate and adds new features that enhance modem usability. These new modem protocols and standards are implemented at the modem level.

This feature module introduces the V.92 [Quick Connect](#) feature on Cisco AS5350, Cisco AS5400, and Cisco AS5850 universal gateways and Cisco AS5800 universal access servers.

**Note**

The other feature introduced with the new V.92 standard is V.92 Modem on Hold, which is documented in the [V.92 Modem on Hold for Cisco AS5350, Cisco AS5400, and Cisco AS5850 Universal Gateways and Cisco AS5800 Universal Access Servers](#) feature module. V.92 Modem On Hold and V.92 Quick Connect can be enabled independently of each other.

V.92 provides new modem protocols and standards that are implemented at the modem level.

NextPort firmware provides V.92 capabilities bundled with existing NextPort features. The NextPort Dial Feature Card (DFC-108NP) is responsible for the ITU implementation of V.92 and the collection of statistics related to the new features, including the new modem states that occur with the additional negotiations for V.92. The statistics are collected by the DFC but are passed to and stored in Cisco IOS software. Cisco IOS software is responsible for controlling the features and displaying the new statistics.

The Cisco AS5800 uses the NextPort high density dial termination card to implement this feature. Both voice and dial technologies are supported when used in a Cisco 5850 universal gateway.

**Note**

V.92 and V.44 are packaged together with Cisco IOS software. For more information about V.44, refer to the [V.44 LZJH Compression for Cisco AS5350, Cisco AS5400, and Cisco AS5850 Universal Gateways and Cisco AS5800 Universal Access Server](#) feature module.

Quick Connect

V.92 Quick Connect speeds up the client-to-server startup negotiation, reducing the overall connect time up to 30 percent. The client modem retains line condition information and characteristics of the connection to the Internet service provider (ISP), which reduces connect time by avoiding some of the initial signal handshaking.

Disconnect reasons and modem states and statistics (link information) have been added or modified to support V.92 Quick Connect. [Table 1](#) lists the new V.92 Quick Connect states, and [Table 2](#) lists the new link information parameters.

Table 1 **Quick Connect States**

Name	Description
Quick Connect	Phase 1 V.92 Quick Connect is being negotiated.
Steady QC	V.92 Quick Connect is being used to reconnect after a V.92 Modem on Hold exchange.
V.8bis Exchange	A V.8bis exchange is taking place.
Ranging	A full phase 2 trainup is taking place.
Ranging Short	A shortened phase 2, using V.92 Quick Connect, is taking place.
Half Duplex Train	Adaptive equalizer training has begun.

Table 2 **Quick Connect Link Information Parameters**

Name	Value
QC Exchange	0: No QC 1: QC Requested 2: QC Short Train Fail 3: QC Full Train Success 4: QC Short Train Success

AT Commands and S-Registers

V.92 Quick Connect is enabled by default and is controlled with standard **AT** commands and S-registers. S29 is used to enable V.92 sequence detection and S63 is used to enable Quick Connect negotiation, both of which are enabled by default. The S63 S-register controls the feature through the ANSpcm signal. You can choose the power level of the ANSpcm signal, which defaults to -12dBm (the transmit power level for the United States). The **ATSn=v** and **ATSn? AT** commands are used to configure V.92 Quick Connect on NextPort platforms.

To disable V.92 Quick Connect or to set a different ANSpcm value, you can use a modemcap (for example, v92_v44:MSC=s62=8s63=0s21=15s29=12), or you can set the S29 register to any number other than 12. [Table 3](#) lists the S-registers used to enable and disable the V.92 Quick Connect feature.

Table 3 *Configuring V.92 Quick Connect with S-Registers*

Name	Register	Index	Default	Description
V.92 QC Configuration	S63	NextPort 0x8040	0x3 QC Enabled ANSpcm Level -12 dBm	Bit 0: QC Enabled 0: Disabled 1: Enabled Bits 1–2 ANSpcm Level 00: -9 dBm 01: -12 dBm 10: -15 dBm 11: -18 dBm
	S29	NextPort 0x8013	12 (V.92 enabled)	0 = V.34 Automode, without V.32ter 1 = V.34 Automode, without V.32ter 2 = V.32ter Automode 3 = V.32bis Automode 4 = V22bis Automode 5 = K56Flex 6 = V.90 Automode (V.92 builds only) 7 = (reserved) 8 = V.110 9 = (reserved) 10 = V.120 11 = Clear Channel 12 = V.92 Automode (V.92 builds only)

**Note**

If the V.92 Quick Connect feature is enabled using S29=12, and QC is disabled using S63=0, then the QC Exchange Link Information Parameter is updated to show if QC was requested. However, completely disabling the feature by setting S29 to a value other than 12 disables the reporting of QC requests.

For detailed information about the **AT** commands and S-registers that are used to configure the V.92 Quick Connect feature supported by NextPort services, refer to the AT Command Set and Register Summary for NextPort Platforms.

Benefits

Improved Port Use

This feature improves ISP port usage because of the reduction in connect time.

Standard Modem Feature

V.92 is a standard modem feature that is offered as a no-cost upgrade to the installed system.

Restrictions

- Minimum of 32K memory is needed for bundled NextPort firmware.
- Additional data space is needed on the modem module (refer to NextPort documentation).
- Configuration of these features using S-registers is carried out by using modemcaps (**AT** commands). Cisco IOS software does not check these values to guarantee that they are valid.
- Cisco IOS software is packaged as multiple program image types with varying capabilities. Because not all modem interfaces support Quick Connect and because images may be built to support specific modem types, not all software images contain functions to control Quick Connect. In addition, the modems that do support Quick Connect implement their control functions differently. Therefore, registry functions are used to interface between local authorization and Quick Connect control for modems.

Related Features and Technologies

- V.92 Modem on Hold
- V.44 LZJH data compression service
- Mindspeed CSMv6 hardware solution

Related Documents

- *AT Command Set and Register Summary for NextPort Platforms*
- Cisco AS5350 documentation index
- Cisco AS5400 documentation index
- Cisco AS5800 documentation index
- Cisco AS5850 documentation index
- *Comparing NextPort SPE Commands to MICA Modem Commands*
- *Managing and Troubleshooting the NextPort Dial Feature Card*
- *NextPort Port Service Management for the Cisco AS5400 Universal Gateways*
- *V.92 Modem on Hold for Cisco AS5350 and Cisco AS5400 Universal Gateways*

Supported Platforms

- Cisco AS5350
- Cisco AS5400
- Cisco AS5800
- Cisco AS5850

Table 4 Cisco IOS Release and Platform Support for this Feature

Platform	12.2(2)XA	12.2(2)XB	12.2(2)XB1	12.2(11)T
Cisco AS5350	X	X	X	X
Cisco AS5400	X	X	X	X
Cisco AS5800	Not supported	Not supported	X	X
Cisco AS5850	Not supported	Not supported	X	X

Determining Platform Support Through Cisco Feature Navigator

Cisco IOS software is packaged in feature sets that support specific platforms. To get updated information regarding platform support for this feature, access Cisco Feature Navigator. Cisco Feature Navigator dynamically updates the list of supported platforms as new platform support is added for the feature.

Cisco Feature Navigator is a web-based tool that enables you to determine which Cisco IOS software images support a specific set of features and which features are supported in a specific Cisco IOS image. You can search by feature or release. Under the release section, you can compare releases side by side to display both the features unique to each software release and the features in common.

To access Cisco Feature Navigator, you must have an account on Cisco.com. If you have forgotten or lost your account information, send a blank e-mail to cco-locksmith@cisco.com. An automatic check will verify that your e-mail address is registered with Cisco.com. If the check is successful, account details with a new random password will be e-mailed to you. Qualified users can establish an account on Cisco.com by following the directions at <http://www.cisco.com/register>.

Cisco Feature Navigator is updated regularly when major Cisco IOS software releases and technology releases occur. For the most current information, go to the Cisco Feature Navigator home page at the following URL:

<http://www.cisco.com/go/fn>

Availability of Cisco IOS Software Images

Platform support for particular Cisco IOS software releases is dependent on the availability of the software images for those platforms. Software images for some platforms may be deferred, delayed, or changed without prior notice. For updated information about platform support and availability of software images for each Cisco IOS software release, refer to the online release notes or, if supported, Cisco Feature Navigator.

Supported Standards, MIBs, and RFCs

Standards

- V.44
- V.92 Modem on Hold
- V.92 Quick Connect

MIBs

- CISCO-MODEM-MGMT-MIB
- CISCO-CALL-TRACKER-MODEM-MIB

To obtain lists of supported MIBs by platform and Cisco IOS release, and to download MIB modules, go to the Cisco MIB web site on Cisco.com at the following URL

<http://www.cisco.com/public/sw-center/netmgmt/cmtk/mibs.shtml>

RFCs

No new or changed RFCs are supported by this feature.

Prerequisites

- Cisco IOS Release 12.2(2)XA, 12.2(2)XB, or 12.2(11)T
- Minimum of 32K memory needed for bundled Cisco NextPort firmware
- Additional data space needed on the modem module (refer to NextPort documentation)
- Basic configuration of the Cisco AS5350, Cisco AS5400, Cisco AS5850, or Cisco AS5800
- Upgraded modem firmware
- NextPort DFC installed

Configuration Tasks

None

For information about configuration, refer to the following documents:

- *V.92 Modem on Hold for Cisco AS5350, Cisco AS5400, and Cisco AS5850 Universal Gateways and Cisco AS5800 Universal Access Servers*
- *V.92 Quick Connect for Cisco AS5300 and Cisco AS5800 Universal Access Servers*

Configuration Examples

None

Command Reference

This feature uses no new or modified commands. For information about all Cisco IOS commands, go to the Command Lookup Tool at <http://tools.cisco.com/Support/CLILookup> or to the *Cisco IOS Master Commands List*.

Glossary

CLI—command-line interface.

CSMv6—Mindspeed modem hardware solution.

DFC—dial feature card.

DSP—Digital Signal Processor. Microprocessor on which the modulation/demodulation process is carried out.

ISP—Internet service provider.

ITU-T—International Telecommunication Union Telecommunication Standardization Sector.

LZJH—Lempel-Ziv-Jeff-Heath data compression algorithm used in V.44.

MOH—Modem on Hold functionality specified in V.92.

NextPort—Device driver architecture for Cisco IOS software that supports the NextPort hardware and software interfaces. Supports the universal port concept.

PCM—pulse code modulation.

PSTN—Public Switched Telephone Network.

QC—Quick Connect functionality specified in V.92.

universal port—Concept of a single device that can terminate one digital signaling level zero (DS-0) with a data modem, fax modem, ISDN, or voice solution.

V.44—ITU modem standard for LZJH data compression algorithm.

V.92—ITU modem standard that contains Quick Connect and Modem On Hold.

Cisco and the Cisco Logo are trademarks of Cisco Systems, Inc. and/or its affiliates in the U.S. and other countries. A listing of Cisco's trademarks can be found at www.cisco.com/go/trademarks. Third party trademarks mentioned are the property of their respective owners. The use of the word partner does not imply a partnership relationship between Cisco and any other company. (1005R)

Any Internet Protocol (IP) addresses and phone numbers used in this document are not intended to be actual addresses and phone numbers. Any examples, command display output, network topology diagrams, and other figures included in the document are shown for illustrative purposes only. Any use of actual IP addresses or phone numbers in illustrative content is unintentional and coincidental.

© 2001–2009 Cisco Systems, Inc. All rights reserved.



V.92 Reporting Using RADIUS Attribute v.92-info

The V.92 Reporting Using RADIUS Attribute v.92-info feature provides the ability to track V.92 call information, such as V.92 features that are supported, the Quick Connect feature set that was attempted, the duration for which the original call was put on hold, and how many times Modem On Hold was initiated. The vendor-specific attribute (VSA) v.92-info is included in accounting “start” and “stop” records when modems negotiate a V.92 connection.

Feature Specifications for the V.92 Reporting Using RADIUS Attribute v.92-info Feature

Feature History

Release	Modification
12.3(1)	This feature was introduced.

Supported Platforms

Cisco AS5300, Cisco AS5350, Cisco AS5400, Cisco AS5800, Cisco AS5850

Finding Support Information for Platforms and Cisco IOS Software Images

Use Cisco Feature Navigator to find information about platform support and Cisco IOS software image support. Access Cisco Feature Navigator at <http://www.cisco.com/go/fn>. You must have an account on Cisco.com. If you do not have an account or have forgotten your username or password, click **Cancel** at the login dialog box and follow the instructions that appear.

Contents

- [Prerequisites for V.92 Reporting Using RADIUS Attribute v.92-info, page 320](#)
- [Restrictions for V.92 Reporting Using RADIUS Attribute v.92-info, page 320](#)
- [Information About V.92 Reporting Using RADIUS Attribute v.92-info, page 320](#)
- [Monitoring V.92 Call Information, page 321](#)
- [Verifying V.92 Call Information, page 329](#)
- [Additional References, page 333](#)
- [Command Reference, page 334](#)



Americas Headquarters:
Cisco Systems, Inc., 170 West Tasman Drive, San Jose, CA 95134-1706 USA

Prerequisites for V.92 Reporting Using RADIUS Attribute v.92-info

Before the network access server (NAS) can send attribute v.92-info information in accounting “start” and “stop” records, you must perform the following tasks:

- Configure your NAS for authentication, authorization, and accounting (AAA) and to accept incoming modem calls.
- Enable AAA accounting by using the **aaa accounting network default start-stop group radius** command in global configuration mode.
- Familiarize yourself with the V.92 Quick Connect feature. Refer to the following document:
 - *V.92 Quick Connect for Cisco AS5300 and Cisco AS5800 Universal Access Servers*
- Familiarize yourself with the V.92 Modem on Hold feature. Refer to the following document:
 - *V.92 Modem on Hold for Cisco AS5300 and Cisco AS5800 Universal Access Servers*

Restrictions for V.92 Reporting Using RADIUS Attribute v.92-info

- If V.92 is not negotiated on your server, V.92 information will not be included in the accounting record.
- Because the attribute v.92-info information is sent as a Cisco VSA, if you configure your RADIUS server as nonstandard (using a non-Cisco server), the V.92 call information will not be sent by default. However, you can still get the V.92 call information by first configuring the **radius-server vsa send** command with the **accounting** keyword (that is, **radius-server vsa send accounting**).

Information About V.92 Reporting Using RADIUS Attribute v.92-info

Before you use the V.92 Reporting Using RADIUS Attribute v.92-info feature, you must understand the following concepts:

- [V.92 Standard Overview, page 320](#)
- [VSA v.92-info, page 321](#)

V.92 Standard Overview

The International Telecommunication Union Telecommunication Standardization Sector (ITU-T) V.92 standard encompasses a number of specifications, including Quick Connect (QC), which dramatically improves how quickly users can connect with their Internet service provider (ISP), and Modem on Hold (MoH), which enables users to suspend and reactivate their dial-up connection to either receive or initiate a telephone call. V.92 also includes pulse code modulation (PCM) upstream, which boosts the upstream data rates from the user to the ISP to reduce transfer times for large files and e-mail attachments sent by the user.

VSA v.92-info

The VSA v.92-info information in RADIUS accounting “start” and “stop” records can help you track V.92 feature set information. The VSA is enabled by default for all sessions that reside over a modem call that is connected using V.92 model modulation.

The VSA information is displayed in the “start” and “stop” records as follows:

```
v92-info=<V.92 features supported>/<QC Exchange>/<Total MOH time>/<MOH count>
```

The VSA v92-info has the following four subfields:

- V.92 features supported—All features that are available for the V.92 modem user who is dialing in. These features include QC, MoH, and PCM Upstream.
- QC Exchange—If QC was initiated, this subfield states what feature set (within QC) was attempted.
- Total MOH time—If MoH was initiated, this subfield indicates the duration for which the original call was put on hold.
- MOH count—If MOH was initiated, this field indicates how many times the MOH was initiated.

The following is an example of VSA v92-info information displayed in an accounting record:

```
v92-info=V.92 QC MOH/QC Requested/60/1
```

How to Monitor and Verify V.92 Call Information

The following sections include tasks to help you monitor and verify V.92 call information:

- [Monitoring V.92 Call Information, page 321](#)
- [Verifying V.92 Call Information, page 329](#)

Monitoring V.92 Call Information

To monitor the V.92 information in the accounting “start” and “stop” records, you can perform the following task using some or all of the debug commands that are listed:

SUMMARY

1. **enable**
2. **debug aaa accounting**
3. **debug aaa authentication**
4. **debug aaa authorization**
5. **debug isdn event**
6. **debug modem csm** [*slot/port* | **group** *group-number*]
7. **debug ppp** {*negotiation* | *authentication*}
8. **debug radius**

DETAILED STEPS

	Command or Action	Purpose
Step 1	enable Example: Router> enable	Enables privileged EXEC mode. <ul style="list-style-type: none"> Enter your password if prompted.
Step 2	debug aaa accounting Example: Router# debug aaa accounting	Displays information about accountable events as they occur.
Step 3	debug aaa authentication Example: Router# debug aaa authentication	Displays information about AAA authentication.
Step 4	debug aaa authorization Example: Router# debug aaa authorization	Displays information about AAA and TACACS+ authorization.
Step 5	debug isdn event Example: Router# debug isdn event	Displays ISDN events occurring on the user side (on the router) of the ISDN interface.
Step 6	debug modem csm [slot/port group group-number] Example: Router# debug modem csm 1/0 group 1	Displays call switching module (CSM) modem call information.
Step 7	debug ppp {negotiation authentication} Example: Router# debug ppp authentication	Displays information on traffic and exchanges in an internetwork that is implementing the PPP.
Step 8	debug radius Example: Router# debug radius	Displays information associated with RADIUS.

Examples

The following sample debug outputs display information about a V.92 reporting situation:

Debug Output 1

```
01:39:19: ISDN Se7/6:23: RX <- SETUP pd = 8 callref = 0x42A0
01:39:19:         Bearer Capability i = 0x9090A2
01:39:19:         Channel ID i = 0xA18396
01:39:19:         Progress Ind i = 0x8183 - Origination address is non-ISDN
01:39:19:         Calling Party Number i = 0xA1, '60112', Plan:ISDN, Type:National
```

```

01:39:19:      Called Party Number i = 0xA1, '50138', Plan:ISDN, Type:National
01:39:19:      Locking Shift to Codeset 6
01:39:19:      Codeset 6 IE 0x28 i = 'ANALOG,savitha'
01:39:19: ISDN Se7/6:23: Incoming call id = 0x0038, dsl 0
01:39:19: ISDN Se7/6:23: NegotiateBchan: bchan 22 intid 0 serv_st 0 chan_st 0 callid
0x0000 ev 0x90 n/w? 0
01:39:19: Negotiated int_id 0 bchan 0 cr=0xC2A0 callid=0x0038 lo_chan 22 final
int_id/bchan 0/22 cause 0x0
01:39:19: ISDN Se7/6:23: LIF_EVENT: ces/callid 1/0x38 CALL_INCOMING
01:39:19: ISDN Se7/6:23: CALL_INCOMING dsl 0 bchan 21
01:39:19: voice_parse_intf_name: Using the old NAS_PORT string
01:39:19: AAA/ACCT/EVENT/(00000007): CALL START
01:39:19: AAA/ACCT(00000000): add node, session 9
01:39:19: AAA/ACCT/NET(00000007): add, count 1
01:39:19: AAA/ACCT/EVENT/(00000007): ATTR REPLACE
01:39:19: ISDN Se7/6:23: CALL_INCOMING: call type is VOICE ULAW, bchan = 21
01:39:19: ISDN Se7/6:23: Event: Received a VOICE call from 60112 on B21 at 64 Kb/s Tone
Value 0
01:39:19: AAA/ACCT/DS0: channel=21, ds1=6, t3=0, slot=7, ds0=117465109
01:39:19: AAA/ACCT/DS0: channel=21, ds1=6, t3=0, slot=7, ds0=117465109
01:39:19: VDEV_ALLOCATE: 1/5 is allocated
01:39:19: ISDN Se7/6:23: RM returned call_type 1 resource type 0 response 2
01:39:19: EVENT_FROM_ISDN: dchan_idb=0x63B3D334, call_id=0x38, ces=0x0
      bchan=0x15, event=0x1, cause=0x0
01:39:19: dev in call to isdn : set dnis_collected & fap_notify
01:39:19: EVENT_FROM_ISDN:(0038): DEV_INCALL at slot 1 and port 5
01:39:19: EVENT_FROM_ISDN: decode:calling oct3 0xA1, called oct3 0xA1, oct3a 0x0,mask 0x3D
01:39:19: EVENT_FROM_ISDN: csm_call_info:calling oct3 0xA1, called oct3 0xA1, oct3a
0x0,mask 0x3D
01:39:19: CSM_PROC_IDLE: CSM_EVENT_ISDN_CALL at slot 1, port 5
01:39:19: CSM DSPLIB(1/5/csm_flags=0x12): np_dsplib_prepare_modem
01:39:19: csm_connect_pri_vdev: TS allocated at bp_stream 0, bp_Ch 5, vdev_common
0x62EAD8F4 1/5
01:39:19: ISDN Se7/6:23: EVENT to CSM:DEV_INCALL: calltype=VOICE, bchan=21
01:39:19: ISDN Se7/6:23: TX -> CALL_PROC pd = 8 callref = 0xC2A0
01:39:19:      Channel ID i = 0xA98396
01:39:19: ISDN Se7/6:23: TX -> ALERTING pd = 8 callref = 0xC2A0
01:39:19: CSM DSPLIB(1/5):DSPLIB_MODEM_INIT: Modem session transition to IDLE
01:39:19: CSM DSPLIB(1/5): Modem went offhook
01:39:19: CSM_PROC_IC2_RING: CSM_EVENT_MODEM_OFFHOOK at slot 1, port 5
01:39:19: ISDN Se7/6:23: VOICE_ANS Event: call id 0x38, bchan 21, ces 0
01:39:19: ISDN Se7/6:23: isdn_send_connect(): msg 74, call id 0x38, ces 0 bchan 21, call
type VOICE
01:39:19: ISDN Se7/6:23: TX -> CONNECT pd = 8 callref = 0xC2A0
01:39:19: ISDN Se7/6:23: RX <- CONNECT_ACK pd = 8 callref = 0x42A0
01:39:19: ISDN Se7/6:23: LIF_EVENT: ces/callid 1/0x38 CALL_PROGRESS
01:39:19: ISDN Se7/6:23: event CALL_PROGRESS dsl 0
01:39:19: ISDN Se7/6:23: CALL_PROGRESS: CALL_CONNECTED call id 0x38, bchan 21, dsl 0
01:39:19: EVENT_FROM_ISDN: dchan_idb=0x63B3D334, call_id=0x38, ces=0x0
      bchan=0x15, event=0x4, cause=0x0
01:39:19: EVENT_FROM_ISDN:(0038): DEV_CONNECTED at slot 1 and port 5
01:39:19: CSM_PROC_IC6_WAIT_FOR_CONNECT: CSM_EVENT_ISDN_CONNECTED at slot 1, port 5
01:39:19: CSM DSPLIB(1/5): np_dsplib_call_accept
01:39:19: ISDN Se7/6:23: EVENT to CSM:DEV_CONNECTED: calltype=VOICE, bchan=21
01:39:19: CSM DSPLIB(1/5):DSPLIB_MODEM_WAIT_ACTIVE: Modem session transition to ACTIVE
01:39:19: CSM DSPLIB(1/5): Modem state changed to (CONNECT_STATE)
01:39:22: CSM DSPLIB(1/5): Modem state changed to (V8BIS_EXCHANGE_STATE)
01:39:24: CSM DSPLIB(1/5): Modem state changed to (LINK_STATE)
01:39:28: CSM DSPLIB(1/5): Modem state changed to (RANGING_STATE)
01:39:30: CSM DSPLIB(1/5): Modem state changed to (HALF_DUPLEX_TRAIN_STATE)
01:39:45: CSM DSPLIB(1/5): Modem state changed to (TRAINUP_STATE)
01:39:45: CSM DSPLIB(1/5): Modem state changed to (EC_NEGOTIATING_STATE)
01:39:46: CSM DSPLIB(1/5): Modem state changed to (STEADY_STATE)
01:39:46: TTY1/05: DSR came up

```

```

01:39:46: tty1/05: Modem: IDLE->(unknown)
01:39:46: TTY1/05: EXEC creation
01:39:46: CHAT1/05: Attempting line activation script
01:39:46: CHAT1/05: Asserting DTR
01:39:50: voice_parse_intf_name: Using the old NAS_PORT string
01:39:50: voice_parse_intf_name: Using the old NAS_PORT string
01:39:50: AAA/AUTHEN/LOGIN (00000007): Pick method list 'default'
01:39:50: RADIUS/ENCODE(00000007): ask "Username: "
01:39:50: RADIUS/ENCODE(00000007): send packet; GET_USER
01:39:50: TTY1/05: set timer type 10, 30 seconds
01:39:50: TTY1/05: Autoselect(2) sample 7E
01:39:50: TTY1/05: Autoselect(2) sample 7EFF
01:39:50: TTY1/05: Autoselect(2) sample 7EFF7D
01:39:50: TTY1/05: Autoselect(2) sample 7EFF7D23
01:39:50: TTY1/05 Autoselect cmd: ppp negotiate
01:39:50: TTY1/05: EXEC creation
01:39:50: CHAT1/05: Attempting line activation script
01:39:50: CHAT1/05: Asserting DTR
01:39:54: voice_parse_intf_name: Using the old NAS_PORT string
01:39:54: voice_parse_intf_name: Using the old NAS_PORT string
01:39:54: TTY1/05: no timer type 1 to destroy
01:39:54: TTY1/05: no timer type 0 to destroy
01:39:54: As1/05 LCP: I CONFREQ [Closed] id 0 len 50
01:39:54: As1/05 LCP: ACCM 0x00000000 (0x020600000000)
01:39:54: As1/05 LCP: MagicNumber 0x00002EB8 (0x050600002EB8)
01:39:54: As1/05 LCP: PFC (0x0702)
01:39:54: As1/05 LCP: ACFC (0x0802)
01:39:54: As1/05 LCP: Callback 6 (0x0D0306)
01:39:54: As1/05 LCP: MRRU 1614 (0x1104064E)
01:39:54: As1/05 LCP: EndpointDisc 1 Local
01:39:54: As1/05 LCP: (0x131701CC7F60A0E7A211D6B549000102)
01:39:54: As1/05 LCP: (0x2BC4390000000000)
01:39:54: As1/05 LCP: Lower layer not up, Fast Starting
01:39:54: voice_parse_intf_name: Using the old NAS_PORT string
01:39:54: voice_parse_intf_name: Using the old NAS_PORT string
01:39:54: As1/05 PPP: Treating connection as a callin
01:39:54: As1/05 PPP: Phase is ESTABLISHING, Passive Open
01:39:54: As1/05 LCP: State is Listen
01:39:54: As1/05 PPP: Authorization required
01:39:54: As1/05 LCP: O CONFREQ [Listen] id 1 len 25
01:39:54: As1/05 LCP: ACCM 0x000A0000 (0x0206000A0000)
01:39:54: As1/05 LCP: AuthProto CHAP (0x0305C22305)
01:39:54: As1/05 LCP: MagicNumber 0x099EBCBA (0x0506099EBCBA)
01:39:54: As1/05 LCP: PFC (0x0702)
01:39:54: As1/05 LCP: ACFC (0x0802)
01:39:54: As1/05 LCP: O CONFREQ [Listen] id 0 len 11
01:39:54: As1/05 LCP: Callback 6 (0x0D0306)
01:39:54: As1/05 LCP: MRRU 1614 (0x1104064E)
01:39:54: As1/05 LCP: I CONFACK [REQsent] id 1 len 25
01:39:54: As1/05 LCP: ACCM 0x000A0000 (0x0206000A0000)
01:39:54: As1/05 LCP: AuthProto CHAP (0x0305C22305)
01:39:54: As1/05 LCP: MagicNumber 0x099EBCBA (0x0506099EBCBA)
01:39:54: As1/05 LCP: PFC (0x0702)
01:39:54: As1/05 LCP: ACFC (0x0802)
01:39:54: As1/05 LCP: I CONFREQ [ACKrcvd] id 1 len 43
01:39:54: As1/05 LCP: ACCM 0x00000000 (0x020600000000)
01:39:54: As1/05 LCP: MagicNumber 0x00002EB8 (0x050600002EB8)
01:39:54: As1/05 LCP: PFC (0x0702)
01:39:54: As1/05 LCP: ACFC (0x0802)
01:39:54: As1/05 LCP: EndpointDisc 1 Local
01:39:54: As1/05 LCP: (0x131701CC7F60A0E7A211D6B549000102)
01:39:54: As1/05 LCP: (0x2BC4390000000000)
01:39:54: As1/05 LCP: O CONFACK [ACKrcvd] id 1 len 43
01:39:54: As1/05 LCP: ACCM 0x00000000 (0x020600000000)

```



```

01:39:54: As1/05 LCP: MagicNumber 0x00002EB8 (0x050600002EB8)
01:39:54: As1/05 LCP: PFC (0x0702)
01:39:54: As1/05 LCP: ACFC (0x0802)
01:39:54: As1/05 LCP: EndpointDisc 1 Local
01:39:54: As1/05 LCP: (0x131701CC7F60A0E7A211D6B549000102)
01:39:54: As1/05 LCP: (0x2BC43900000000)
01:39:54: As1/05 LCP: State is Open
01:39:54: As1/05 PPP: Phase is AUTHENTICATING, by this end
01:39:54: As1/05 CHAP: O CHALLENGE id 1 len 26 from "s5400"
01:39:54: As1/05 LCP: I IDENTIFY [Open] id 2 len 18 magic 0x00002EB8 MSRASV4.00
01:39:54: As1/05 LCP: I IDENTIFY [Open] id 3 len 23 magic 0x00002EB8 MSRAS-1-PTE-PC1
01:39:54: As1/05 CHAP: I RESPONSE id 1 len 34 from "Administrator"
01:39:54: As1/05 PPP: Phase is FORWARDING, Attempting Forward
01:39:54: As1/05 PPP: Phase is AUTHENTICATING, Unauthenticated User
01:39:54: AAA/AUTHEN/PPP (00000007): Pick method list 'default'
01:39:54: As1/05 PPP: Sent CHAP LOGIN Request
01:39:54: RADIUS/ENCODE(00000007): Unsupported AAA attribute parent-interface
01:39:54: RADIUS/ENCODE(00000007): Unsupported AAA attribute parent-interface-type
01:39:54: RADIUS/ENCODE(00000007): acct_session_id: 9
01:39:54: RADIUS(00000007): sending
01:39:54: RADIUS: Send to unknown id 2 10.107.164.120:1645, Access-Request, len 128
01:39:54: RADIUS: authenticator 13 E4 F2 9F BC 3E CE 52 - CC 93 0C E0 01 0C 73 7B
01:39:54: RADIUS: Framed-Protocol [7] 6 PPP [1]
01:39:54: RADIUS: User-Name [1] 15 "Administrator"
01:39:54: RADIUS: CHAP-Password [3] 19 *
01:39:54: RADIUS: Called-Station-Id [30] 7 "50138"
01:39:54: RADIUS: Calling-Station-Id [31] 7 "60112"
01:39:54: RADIUS: Vendor, Cisco [26] 30
01:39:54: RADIUS: cisco-nas-port [2] 24 "Async1/05*Serial7/6:21"
01:39:54: RADIUS: NAS-Port [5] 6 221
01:39:54: RADIUS: NAS-Port-Type [61] 6 Async [0]
01:39:54: RADIUS: Service-Type [6] 6 Framed [2]
01:39:54: RADIUS: NAS-IP-Address [4] 6 10.0.58.107
01:39:54: RADIUS: Received from id 2 10.107.164.120:1645, Access-Accept, len 62
01:39:54: RADIUS: authenticator EF 45 A3 D4 A7 EE D0 65 - 03 50 B4 3E 07 87 2E 8F
01:39:54: RADIUS: Vendor, Cisco [26] 30
01:39:54: RADIUS: cisco-nas-port [2] 24 "Async1/05*Serial7/6:21"
01:39:54: RADIUS: Service-Type [6] 6 Framed [2]
01:39:54: RADIUS: Framed-Protocol [7] 6 PPP [1]
01:39:54: RADIUS: Received from id 7
01:39:54: As1/05 PPP: Received LOGIN Response PASS
01:39:54: As1/05 PPP/AAA: Check Attr: interface
01:39:54: As1/05 PPP/AAA: Check Attr: service-type
01:39:54: As1/05 PPP/AAA: Check Attr: Framed-Protocol
01:39:54: As1/05 PPP: Phase is FORWARDING, Attempting Forward
01:39:54: As1/05 PPP: Phase is AUTHENTICATING, Authenticated User
01:39:54: As1/05 AAA/AUTHOR/LCP: Process Author
01:39:54: As1/05 AAA/AUTHOR/LCP: Process Attr: service-type
01:39:54: As1/05 CHAP: O SUCCESS id 1 len 4
01:39:54: AAA/ACCT/NET(00000007): Pick method list 'default'
01:39:54: AAA/ACCT/SETMLIST(00000007): Handle FFFFFFFF, mlist 630B11E4, Name default
01:39:54: AAA/ACCT/EVENT/(00000007): NET UP
01:39:54: AAA/ACCT/NET(00000007): Queueing record is START
01:39:54: As1/05 PPP: Phase is UP
01:39:54: As1/05 AAA/AUTHOR/IPCP: FSM authorization not needed
01:39:54: As1/05 AAA/AUTHOR/FSM: We can start IPCP
01:39:54: As1/05 IPCP: O CONFREQ [Closed] id 1 len 10
01:39:54: As1/05 IPCP: Address 10.1.1.2 (0x030646010102)
01:39:54: AAA/ACCT(00000007): Accounting method=radius (radius)
01:39:54: RADIUS/ENCODE(00000007): Unsupported AAA attribute timezone
01:39:54: RADIUS/ENCODE(00000007): Unsupported AAA attribute parent-interface
01:39:54: RADIUS/ENCODE(00000007): Unsupported AAA attribute parent-interface-type
01:39:54: RADIUS(00000007): sending
01:39:54: RADIUS: Send to unknown id 8 10.107.164.120:1646, Accounting-Request, len 243

```

```

01:39:54: RADIUS: authenticator 41 87 FA 03 EB F9 94 62 - B2 3A 24 B8 27 4C A4 BC
01:39:54: RADIUS: Acct-Session-Id [44] 10 "00000009"
01:39:54: RADIUS: Framed-Protocol [7] 6 PPP [1]
01:39:54: RADIUS: Connect-Info [77] 26 "52000/28800 V90/V44/LAPM"
01:39:54: RADIUS: Vendor, Cisco [26] 48
01:39:54: RADIUS: Cisco AVpair [1] 42 "v92-info=V.92 QC MOH/No QC
Requested/0/0"
01:39:54: RADIUS: Vendor, Cisco [26] 32
01:39:54: RADIUS: Cisco AVpair [1] 26 "connect-progress=Call Up"
01:39:54: RADIUS: Authentic [45] 6 RADIUS [1]
01:39:54: RADIUS: User-Name [1] 15 "Administrator"
01:39:54: RADIUS: Acct-Status-Type [40] 6 Start [1]
01:39:54: RADIUS: Called-Station-Id [30] 7 "50138"
01:39:54: RADIUS: Calling-Station-Id [31] 7 "60112"
01:39:54: RADIUS: Vendor, Cisco [26] 30
01:39:54: RADIUS: cisco-nas-port [2] 24 "Async1/05*Serial7/6:21"
01:39:54: RADIUS: NAS-Port [5] 6 221
01:39:54: RADIUS: NAS-Port-Type [61] 6 Async [0]
01:39:54: RADIUS: Service-Type [6] 6 Framed [2]
01:39:54: RADIUS: NAS-IP-Address [4] 6 10.0.58.107
01:39:54: RADIUS: Acct-Delay-Time [41] 6 0
01:39:54: RADIUS: Received from id 8 10.107.164.120:1646, Accounting-response, len 20
01:39:54: RADIUS: authenticator E5 5C D3 69 88 D5 2E 8E - 49 AF 63 22 01 53 33 7B
01:39:54: AAA/ACCT/NET(00000007): START protocol reply PASS
01:39:54: As1/05 CCP: I CONFREQ [Not negotiated] id 4 len 211
01:39:54: As1/05 CCP: Type254
01:39:54: As1/05 CCP: (0xFEC90100000000000000000000000000)
01:39:54: As1/05 CCP: (0x000074FFC70000000000000068000000A000)
01:39:54: As1/05 CCP: (0x00006C20563905000000C0000000A400)
01:39:54: As1/05 CCP: (0x0000BC0000000186400007000E80018C8)
01:39:54: As1/05 CCP: (0x130017CCF177000000001000000E8FE)
01:39:54: As1/05 CCP: (0xC70076CDF17706000000000000000000)
01:39:54: As1/05 CCP: (0x00000000000000000000000000000000)
01:39:54: As1/05 CCP: (0x00000000000000000000000000000000)
01:39:54: As1/05 CCP: (0x00000000000000000000000000000000)
01:39:54: As1/05 CCP: (0x00000000000000000000000000000000)
01:39:54: As1/05 CCP: (0x000000000000000000000000220020000001)
01:39:54: As1/05 CCP: (0x080000000005016B1CBA2E7D611B549)
01:39:54: As1/05 CCP: (0x0001022BC439C80000000000000000C800)
01:39:54: As1/05 CCP: (0x00004D000000281FB8)
01:39:54: As1/05 CCP: MS-PPC supported bits 0x00000006 (0x120600000006)
01:39:54: As1/05 LCP: O PROTREQ [Open] id 2 len 217 protocol CCP
01:39:54: As1/05 LCP: (0x80FD010400D3FEC90100000000000000)
01:39:54: As1/05 LCP: (0x000000000000000000074FFC70000000000)
01:39:54: As1/05 LCP: (0x68000000A00000006C20563905000000)
01:39:54: As1/05 LCP: (0xC0000000A4000000BC000000018640000)
01:39:54: As1/05 LCP: (0x7000E80018C8130017CCF17700000000)
01:39:54: As1/05 LCP: (0x01000000E8FEC70076CDF17706000000)
01:39:54: As1/05 LCP: (0x00000000000000000000000000000000)
01:39:54: As1/05 LCP: (0x00000000000000000000000000000000)
01:39:54: As1/05 LCP: (0x00000000000000000000000000000000)
01:39:54: As1/05 LCP: (0x00000000000000000000000000000000)
01:39:54: As1/05 LCP: (0x220020000001080000000005016B1CB)
01:39:54: As1/05 LCP: (0xA2E7D611B5490001022BC439C8000000)
01:39:54: As1/05 LCP: (0x00000000C80000004D000000281FB812)
01:39:54: As1/05 LCP: (0x0600000006)
01:39:54: As1/05 IPCP: I CONFREQ [REQsent] id 5 len 34
01:39:54: As1/05 IPCP: Address 0.0.0.0 (0x030600000000)
01:39:54: As1/05 IPCP: PrimaryDNS 0.0.0.0 (0x810600000000)
01:39:54: As1/05 IPCP: PrimaryWINS 0.0.0.0 (0x820600000000)
01:39:54: As1/05 IPCP: SecondaryDNS 0.0.0.0 (0x830600000000)
01:39:54: As1/05 IPCP: SecondaryWINS 0.0.0.0 (0x840600000000)
01:39:54: As1/05 AAA/AUTHOR/IPCP: Start. Her address 0.0.0.0, we want 10.2.2.6
01:39:54: As1/05 AAA/AUTHOR/IPCP: Authorization succeeded
01:39:54: As1/05 AAA/AUTHOR/IPCP: Done. Her address 0.0.0.0, we want 10.2.2.6

```

```

01:39:54: As1/05 AAA/AUTHOR/IPCP: no author-info for primary dns
01:39:54: As1/05 AAA/AUTHOR/IPCP: no author-info for primary wins
01:39:54: As1/05 AAA/AUTHOR/IPCP: no author-info for seconday dns
01:39:54: As1/05 AAA/AUTHOR/IPCP: no author-info for seconday wins
01:39:54: As1/05 IPCP: O CONFREJ [REQsent] id 5 len 28
01:39:54: As1/05 IPCP: PrimaryDNS 0.0.0.0 (0x810600000000)
01:39:54: As1/05 IPCP: PrimaryWINS 0.0.0.0 (0x820600000000)
01:39:54: As1/05 IPCP: SecondaryDNS 0.0.0.0 (0x830600000000)
01:39:54: As1/05 IPCP: SecondaryWINS 0.0.0.0 (0x840600000000)
01:39:54: As1/05 IPCP: I CONFACK [REQsent] id 1 len 10
01:39:54: As1/05 IPCP: Address 70.1.1.2 (0x030646010102)
01:39:54: As1/05 IPCP: I CONFREQ [ACKrcvd] id 6 len 10
01:39:54: As1/05 IPCP: Address 0.0.0.0 (0x030600000000)
01:39:54: As1/05 IPCP: O CONFNAK [ACKrcvd] id 6 len 10
01:39:54: As1/05 IPCP: Address 70.2.2.6 (0x030646020206)
01:39:55: As1/05 IPCP: I CONFREQ [ACKrcvd] id 7 len 10
01:39:55: As1/05 IPCP: Address 70.2.2.6 (0x030646020206)
01:39:55: As1/05 IPCP: O CONFACK [ACKrcvd] id 7 len 10
01:39:55: As1/05 IPCP: Address 70.2.2.6 (0x030646020206)
01:39:55: As1/05 IPCP: State is Open
01:39:55: AAA/ACCT/EVENT/(00000007): IPCP_PASS
01:39:55: As1/05 IPCP: Install route to 10.2.2.6
01:39:55: As1/05 IPCP: Add link info for cef entry 10.2.2.6

```

Debug Output 2

```

01:40:50: ISDN Se7/6:23: RX <- DISCONNECT pd = 8 callref = 0x42A0
01:40:50: Cause i = 0x8190 - Normal call clearing
01:40:50: ISDN Se7/6:23: LIF_EVENT: ces/callid 1/0x38 CALL_DISC
01:40:50: EVENT_FROM_ISDN: dchan_idb=0x63B3D334, call_id=0x38, ces=0x0
    bchan=0x15, event=0x0, cause=0x10
01:40:50: EVENT_FROM_ISDN:(0038): DEV_IDLE at slot 1 and port 5
01:40:50: CSM_PROC_IC7_OC6_CONNECTED: CSM_EVENT_ISDN_DISCONNECTED at slot 1, port 5
01:40:50: CSM DSPLIB(1/5): np_dsplib_call_hangup reason 14
01:40:50: CSM(1/5): Enter csm_enter_disconnecting_state
01:40:50: VDEV_DEALLOCATE: slot 1 and port 5 is deallocated

01:40:50: ISDN Se7/6:23: EVENT to CSM:DEV_IDLE: calltype=VOICE, bchan=21
01:40:50: ISDN Se7/6:23: process_disc_ack(): call id 0x38, ces 0, call type VOICE cause
0x10
01:40:50: ISDN Se7/6:23: TX -> RELEASE pd = 8 callref = 0xC2A0
01:40:50: AAA/ACCT/EVENT/(00000007): CALL STOP
01:40:50: AAA/ACCT/CALL STOP(00000007): Sending stop requests
01:40:50: AAA/ACCT(00000007): Send all stops
01:40:50: AAA/ACCT/NET(00000007): STOP
01:40:50: AAA/ACCT/NET(00000007): Queueing record is STOP osr 1
01:40:50: AAA/ACCT(00000007): Accounting method=radius (radius)
01:40:50: RADIUS/ENCODE(00000007): Unsupported AAA attribute timezone
01:40:50: RADIUS/ENCODE(00000007): Unsupported AAA attribute parent-interface
01:40:50: RADIUS/ENCODE(00000007): Unsupported AAA attribute parent-interface-type
01:40:50: RADIUS(00000007): sending
01:40:50: RADIUS: Send to unknown id 9 10.107.164.120:1646, Accounting-Request, len 315
01:40:50: RADIUS: authenticator 2E 6A 04 D0 04 9A D3 D5 - F7 DD 99 E0 C3 99 27 60
01:40:50: RADIUS: Acct-Session-Id [44] 10 "00000009"
01:40:50: RADIUS: Framed-Protocol [7] 6 PPP [1]
01:40:50: RADIUS: Framed-IP-Address [8] 6 70.2.2.6
01:40:50: RADIUS: Acct-Terminate-Cause[49] 6 lost-carrier [2]
01:40:50: RADIUS: Vendor, Cisco [26] 33
01:40:50: RADIUS: Cisco AVpair [1] 27 "disc-cause-ext=No Carrier"
01:40:50: RADIUS: Vendor, Cisco [26] 35
01:40:50: RADIUS: Cisco AVpair [1] 29 "connect-progress=LAN Ses Up"
01:40:50: RADIUS: Acct-Session-Time [46] 6 56
01:40:50: RADIUS: Connect-Info [77] 26 "52000/28800 V90/V44/LAPM"
01:40:50: RADIUS: Vendor, Cisco [26] 48

```

```

01:40:50: RADIUS: Cisco AVpair [1] 42 "v92-info=V.92 QC MOH/No QC
Requested/0/0"
01:40:50: RADIUS: Acct-Input-Octets [42] 6 285
01:40:50: RADIUS: Acct-Output-Octets [43] 6 295
01:40:50: RADIUS: Acct-Input-Packets [47] 6 5
01:40:50: RADIUS: Acct-Output-Packets [48] 6 5
01:40:50: RADIUS: User-Name [1] 15 "Administrator"
01:40:50: RADIUS: Acct-Status-Type [40] 6 Stop [2]
01:40:50: RADIUS: Called-Station-Id [30] 7 "50138"
01:40:50: RADIUS: Calling-Station-Id [31] 7 "60112"
01:40:50: RADIUS: Vendor, Cisco [26] 30
01:40:50: RADIUS: cisco-nas-port [2] 24 "Async1/05*Serial7/6:21"
01:40:50: RADIUS: NAS-Port [5] 6 221
01:40:50: RADIUS: NAS-Port-Type [61] 6 Async [0]
01:40:50: RADIUS: Service-Type [6] 6 Framed [2]
01:40:50: RADIUS: NAS-IP-Address [4] 6 10.0.58.107
01:40:50: RADIUS: Acct-Delay-Time [41] 6 0
01:40:50: RADIUS: Received from id 9 10.107.164.120:1646, Accounting-response, len 20
01:40:50: RADIUS: authenticator D0 3F 32 D7 7C 8C 5E 22 - 9A 69 EF 17 AC 32 81 21
01:40:50: AAA/ACCT/NET(00000007): STOP protocol reply PASS
01:40:50: AAA/ACCT/NET(00000007): Cleaning up from Callback osr 0
01:40:50: AAA/ACCT(00000007): del node, session 9
01:40:50: AAA/ACCT/NET(00000007): free_rec, count 0
01:40:50: AAA/ACCT/NET(00000007) reccnt 0, csr TRUE, osr 0
01:40:50: AAA/ACCT/NET(00000007): Last rec in db, intf not enqueued
01:40:50: ISDN Se7/6:23: RX <- RELEASE_COMP pd = 8 callref = 0x42A0
01:40:50: ISDN Se7/6:23: CCPRI_ReleaseCall(): bchan 22, call id 0x38, call type VOICE
01:40:50: CCPRI_ReleaseChan released b_dsl 0 B_Chan 22
01:40:50: ISDN Se7/6:23: LIF_EVENT: ces/callid 1/0x38 CALL_CLEARED
01:40:50: ISDN Se7/6:23: received CALL_CLEARED call_id 0x38
01:40:50: no resend setup, no redial
01:40:50: no resend setup, no redial
01:40:50: AAA/ACCT/DS0: channel=21, ds1=6, t3=0, slot=7, ds0=117465109
01:40:50: EVENT_FROM_ISDN: dchan_idb=0x63B3D334, call_id=0x38, ces=0x1
bchan=0x15, event=0x0, cause=0x0
01:40:50: ISDN Se7/6:23: EVENT to CSM:DEV_IDLE: calltype=VOICE, bchan=21
01:40:51: CSM DSPLIB(1/5): Modem state changed to (TERMINATING_STATE)
01:40:51: CSM DSPLIB(1/5): Modem went onhook
01:40:51: CSM_PROC_IC8_OC8_DISCONNECTING: CSM_EVENT_MODEM_ONHOOK at slot 1, port 5
01:40:51: CSM(1/5): Enter csm_enter_idle_state
01:40:51: CSM DSPLIB(1/5):DSPLIB_IDLE: Modem session transition to FLUSHING
01:40:51: CSM DSPLIB(1/5):DSPLIB_IDLE: Modem session transition to IDLE
01:40:51: TTY1/05: DSR was dropped
01:40:51: tty1/05: Modem: READY->(unknown)
01:40:52: TTY1/05: dropping DTR, hanging up
01:40:52: DSPLIB(1/5): np_dsplib_process_dtr_notify()
01:40:52: CSM DSPLIB(1/5): Modem went onhook
01:40:52: CSM_PROC_IDLE: CSM_EVENT_MODEM_ONHOOK at slot 1, port 5
01:40:52: TTY1/05: Async Int reset: Dropping DTR
01:40:52: tty1/05: Modem: HANGUP->(unknown)
01:40:52: AAA/ACCT/EVENT/(00000007): NET DOWN
01:40:52: As1/05 IPCP: Remove link info for cef entry 70.2.2.6
01:40:52: As1/05 IPCP: State is Closed
01:40:52: As1/05 PPP: Phase is TERMINATING
01:40:52: As1/05 LCP: State is Closed
01:40:52: As1/05 PPP: Phase is DOWN
01:40:52: As1/05 IPCP: Remove route to 70.2.2.6
01:40:52: As1/05 LCP: State is Closed
01:40:53: TTY1/05: cleanup pending. Delaying DTR
01:40:54: TTY1/05: cleanup pending. Delaying DTR
01:40:55: TTY1/05: cleanup pending. Delaying DTR
01:40:56: TTY1/05: cleanup pending. Delaying DTR
01:40:57: TTY1/05: no timer type 0 to destroy
01:40:57: TTY1/05: no timer type 1 to destroy

```

```

01:40:57: TTY1/05: no timer type 3 to destroy
01:40:57: TTY1/05: no timer type 4 to destroy
01:40:57: TTY1/05: no timer type 2 to destroy
01:40:57: Async1/05: allowing modem_process to continue hangup
01:40:57: TTY1/05: restoring DTR
01:40:57: TTY1/05: autoconfigure probe started
01:40:57: As1/05 LCP: State is Closed

```

Verifying V.92 Call Information

To verify that the V.92 call was correctly established, use the following **show** commands:

SUMMARY

- **show modem** [*slot/port* | *group number*]
- **show port modem log** [*reverse slot/port*] [*slot* | *slot/port*]
- **show users** [*all*]

DETAILED STEPS

	Command or Action	Purpose
Step 1	show modem [<i>slot/port</i> <i>group number</i>] Example: Router# show modem 1/0 group 1	Displays a high-level performance report for all the modems or a single modem inside Cisco access servers.
Step 2	show port modem log [<i>reverse slot/port</i>] [<i>slot</i> <i>slot/port</i>] Example: Router# show port modem log	Displays the events generated by the modem sessions.
Step 3	show users [<i>all</i>] Example: Router# show users	Displays information about the active lines on the router.

Examples

The following V.92 reporting outputs are from the **show port modem log** and **show users** commands:

Show Output 1

```

Router# show port modem log 1/05

Port 1/05 Events Log
 01:46:19: Service Type: DATA_FAX_MODEM
 01:46:19: Service Mode: DATA_FAX_MODEM
 01:46:19: Session State: IDLE
 01:46:19: incoming caller number: 60112
 01:46:19: incoming called number: 50138
 01:46:19: Service Type: DATA_FAX_MODEM
 01:46:19: Service Mode: DATA_FAX_MODEM

```

```

01:46:19: Session State: IDLE
01:46:19: Service Type: DATA_FAX_MODEM
01:46:19: Service Mode: DATA_FAX_MODEM
01:46:19: Session State: ACTIVE
01:46:19: Modem State event:
      State: Connect
01:46:20: Modem State event:
      State: V.8bis Exchange
01:46:20: Modem State event:
      State: Link
01:46:20: Modem State event:
      State: Ranging
01:46:20: Modem State event:
      State: Half Duplex Train
01:46:20: Modem State event:
      State: Train Up
01:46:20: Modem State event:
      State: EC Negotiating
01:46:20: Modem State event:
      State: Steady
01:46:20: Modem Static event:
  Connect Protocol           : LAP-M
  Compression                : V.44
  Connected Standard         : V.90
  TX,RX Symbol Rate         : 8000, 3200
  TX,RX Carrier Frequency   : 0, 1829
  TX,RX Trellis Coding       : 16/No trellis
  Frequency Offset           : 0 Hz
  Round Trip Delay           : 0 msec
  TX,RX Bit Rate             : 52000, 28800
  Robbed Bit Signalling (RBS) pattern : 255
  Digital Pad                 : 6 dB
  Digital Pad Compensation   : Enabled
  MNP10EC                    : Off-None
  QC Exchange                 : No QC Requested
  TX,RX Negotiated String Length : 255, 255
  DC TX,RX Negotiated Codewords : 1024, 1024
  DC TX,RX Negotiated History Size : 4096, 5120
01:46:21: ISDN Se7/6:23: RX <- SERVICE pd = 3 callref = 0x0000
01:46:21:      Change Status i = 0xC0 - in-service
01:46:21:      Channel ID i = 0xA98381
01:46:21: ISDN Se7/6:23: Incoming call id = 0x003A, dsl 0
01:46:21: ISDN Se7/6:23: LIF_EVENT: ces/callid 1/0x0 CHAN_STATUS
01:46:21: ISDN Se7/6:23: CHAN_STATUS B-chan=1, action=2; Maintenance.
01:46:21: ISDN Se7/6:23: TX -> SERVICE ACKNOWLEDGE pd = 3 callref = 0x8000
01:46:21:      Change Status i = 0xC0 - in-service
01:46:21:      Channel ID i = 1
s5400#sh port modem log 1/05
Port 1/05 Events Log
01:46:30: Service Type: DATA_FAX_MODEM
01:46:30: Service Mode: DATA_FAX_MODEM
01:46:30: Session State: IDLE
01:46:30: incoming caller number: 60112
01:46:30: incoming called number: 50138
01:46:30: Service Type: DATA_FAX_MODEM
01:46:30: Service Mode: DATA_FAX_MODEM
01:46:30: Session State: IDLE
01:46:30: Service Type: DATA_FAX_MODEM
01:46:30: Service Mode: DATA_FAX_MODEM
01:46:30: Session State: ACTIVE
01:46:30: Modem State event:
      State: Connect
01:46:30: Modem State event:
      State: V.8bis Exchange

```

```

01:46:30: Modem State event:
      State: Link
01:46:30: Modem State event:
      State: Ranging
01:46:30: Modem State event:
      State: Half Duplex Train
01:46:30: Modem State event:
      State: Train Up
01:46:31: Modem State event:
      State: EC Negotiating
01:46:31: Modem State event:
      State: Steady
01:46:31: Modem Static event:
      Connect Protocol           : LAP-M
      Compression                : V.44
      Connected Standard         : V.90
      TX,RX Symbol Rate          : 8000, 3200
      TX,RX Carrier Frequency    : 0, 1829
      TX,RX Trellis Coding       : 16/No trellis
      Frequency Offset            : 0 Hz
      Round Trip Delay           : 0 msecs
      TX,RX Bit Rate             : 52000, 28800
      Robbed Bit Signalling (RBS) pattern : 255
      Digital Pad                : 6 dB
      Digital Pad Compensation    : Enabled
      MNP10EC                    : Off-None
      QC Exchange                : No QC Requested
      TX,RX Negotiated String Length : 255, 255
      DC TX,RX Negotiated Codewords : 1024, 1024
      DC TX,RX Negotiated History Size : 4096, 5120
      Diagnostic Code             : 00 00 00 00 00 00 00 00
      V.92 Status                 : V.92 QC MOH
01:46:32: Modem Dynamic event:
      Sq Value                    : 6
      Signal Noise Ratio          : 38 dB
      Receive Level               : -11 dBm
      Phase Jitter Frequency      : 0 Hz
      Phase Jitter Level          : 0 degrees
      Far End Echo Level          : 0 dBm
      Phase Roll                   : 0 degrees
      Total Retrans               : 0
      EC Retransmission Count     : 0
      Characters transmitted, received : 0, 0
      Characters received BAD      : 0
      PPP/SLIP packets transmitted, received : 0, 0
      PPP/SLIP packets received (BAD/ABORTED) : 0
      EC packets transmitted, received OK : 0, 0
      EC packets (Received BAD/ABORTED) : 0
      Total Speedshifts           : 0
      Total MOH Time              : 0 secs
      Current MOH Time            : 0 secs
      MOH Status                   : Modem is Not on Hold
      MOH Count                   : 0
      MOH Request Count           : 0
      Retrans due to Call Waiting : 0
      DC Encoder,Decoder State    : compressed/compressed
      DC TX,RX Compression Ratio  : not calculated/not calculated
      DC TX,RX Dictionary Reset Count : 0, 0
      Diagnostic Code             : 00 00 00 00 00 00 00 00
01:46:35: Modem State event:
      State: Terminate
01:46:35: Service Type: DATA_FAX_MODEM
01:46:35: Service Mode: DATA_FAX_MODEM
01:46:35: Session State: FLUSHING

```

```

01:46:35: Service Type: DATA_FAX_MODEM
01:46:35: Service Mode: DATA_FAX_MODEM
01:46:35: Session State: IDLE
01:46:35: Modem End Connect event:
  Call Timer                               :    65 secs
  Disconnect Reason Info                   :    0x220
    Type (=0 ): <unknown>
    Class (=2 ): EC condition - locally detected
    Reason (=32 ): received DISC frame -- normal LAPM termination
  Total Retransmits                         :    0
  EC Retransmission Count                  :    0
  Characters transmitted, received         :   677, 817
  Characters received BAD                   :    0
  PPP/SLIP packets transmitted, received  :   10, 10
  PPP/SLIP packets received (BAD/ABORTED) :    0
  EC packets transmitted, received OK      :   10, 21
  EC packets (Received BAD/ABORTED)       :    0
  TX,RX Bit Rate                           :   52000, 28800
  Total Speedshifts                        :    0
  Total MOH Time                           :    0 secs
  Current MOH Time                         :    0 secs
  MOH Status                               :   Modem is Not on Hold
  MOH Count                                :    0
  MOH Request Count                        :    0
  Retransmits due to Call Waiting          :    0
  DC Encoder,Decoder State                 :   compressed/compressed
  DC TX,RX Compression Ratio               :   1.67:1/1.65:1
  DC TX,RX Dictionary Reset Count         :    0, 1
  Diagnostic Code                          :   00 00 00 00 00 00 00 00 00
01:46:37:Modem Link Rate event:

```

Show Output 2

Router# **show users**

Line	User	Host(s)	Idle	Location
* 0 con 0		idle	00:00:00	
tty 1/05	Administra	Async interface	00:00:29	PPP: 70.2.2.6

Interface	User	Mode	Idle	Peer Address
-----------	------	------	------	--------------

Troubleshooting Tips

If you see that V.92 call information is not being reported by AAA, ensure that the call is a V.92 call by using the **show modem** command or by looking at the modem logs by using the **show modem log** command.

Additional References

For additional information related to the V.92 Reporting Using RADIUS Attribute v.92-info feature, refer to the following references:

Related Documents

Related Topic	Document Title
AAA accounting	<i>The chapters “AAA Overview” and “Configuring Accounting” in the “Authentication, Authorization, and Accounting” section of the Cisco IOS Security Configuration Guide, Release 12.3.</i>
AAA accounting commands	<i>The Cisco IOS Security Command Reference, Release 12.3.</i>
V.92 Quick Connect feature	<i>V.92 Quick Connect for Cisco AS5300 and Cisco AS5800 Universal Access Servers</i>
V.92 Modem on Hold feature	<i>V.92 Modem on Hold for Cisco AS5300 and Cisco AS5800 Universal Access Servers</i>

Standards

Standards	Title
No new or modified standards are supported by this feature, and support for existing standards has not been modified by this feature.	—

MIBs

MIBs	MIBs Link
No new or modified MIBs are supported by this feature, and support for existing MIBs has not been modified by this feature.	To locate and download MIBs for selected platforms, Cisco IOS releases, and feature sets, use Cisco MIB Locator found at the following URL: http://www.cisco.com/go/mibs

RFCs

RFCs	Title
No new or modified RFCs are supported by this feature, and support for existing RFCs has not been modified by this feature.	—

Technical Assistance

Description	Link
Technical Assistance Center (TAC) home page, containing 30,000 pages of searchable technical content, including links to products, technologies, solutions, technical tips, and tools. Registered Cisco.com users can log in from this page to access even more content.	http://www.cisco.com/public/support/tac/home.shtml

Command Reference

The following commands are introduced or modified in the feature or features documented in this module. For information about these commands, see the *Cisco IOS Dial Technologies Command Reference* at http://www.cisco.com/en/US/docs/ios/dial/command/reference/dia_book.html. For information about all Cisco IOS commands, go to the Command Lookup Tool at <http://tools.cisco.com/Support/CLILookup> or to the *Cisco IOS Master Commands List*.

Cisco and the Cisco Logo are trademarks of Cisco Systems, Inc. and/or its affiliates in the U.S. and other countries. A listing of Cisco's trademarks can be found at www.cisco.com/go/trademarks. Third party trademarks mentioned are the property of their respective owners. The use of the word partner does not imply a partnership relationship between Cisco and any other company. (1005R)

Any Internet Protocol (IP) addresses used in this document are not intended to be actual addresses. Any examples, command display output, and figures included in the document are shown for illustrative purposes only. Any use of actual IP addresses in illustrative content is unintentional and coincidental.

© 2001-2008 Cisco Systems, Inc. All rights reserved.



Configuring and Managing Cisco Access Servers and Dial Shelves

This chapter describes configuration and monitoring tasks for the Cisco AS5800 and AS5400 access servers, including dial shelves and dial shelf controllers on the Cisco AS5800 access servers in the following main sections:

- [Any Internet Protocol \(IP\) addresses and phone numbers used in this document are not intended to be actual addresses and phone numbers. Any examples, command display output, network topology diagrams, and other figures included in the document are shown for illustrative purposes only. Any use of actual IP addresses or phone numbers in illustrative content is unintentional and coincidental © 2007–2009 Cisco Systems, Inc. All rights reserved. Cisco AS5800 Dial Shelf Architecture and DSIP Overview](#)
- [How to Configure Dial Shelves](#)
- [Port Management Services on Cisco Access Servers](#)
- [Upgrading and Configuring SPE Firmware](#)

For further information and configuration examples for the Cisco AS5400, refer to the *Cisco AS5400 Universal Access Server Software Configuration Guide*.

For further information and configuration examples for the Cisco AS5800, refer to the *Cisco AS5800 Universal Access Server Operations, Administration, Maintenance, and Provisioning Guide*.

For more information on the Cisco access servers, go to the Cisco Connection Documentation site on Cisco.com, or use the Cisco Documentation CD-ROM.

To identify the hardware platform or software image information associated with a feature, use the Feature Navigator on Cisco.com to search for information about the feature or refer to the software release notes for a specific release. For more information, see the “Identifying Supported Platforms” section in the “Using Cisco IOS Software” chapter.

For a complete description of the commands in this chapter, refer to the *Cisco IOS Dial Technologies Command Reference*. To locate documentation of other commands that appear in this chapter, use the command reference master index or search online.



Cisco AS5800 Dial Shelf Architecture and DSIP Overview

The Cisco AS5800 is a rack-mounted system consisting of a router shelf and a dial shelf. The dial shelf contains feature and controller cards (trunk cards), modem cards, and dial shelf controller (DSC) cards.

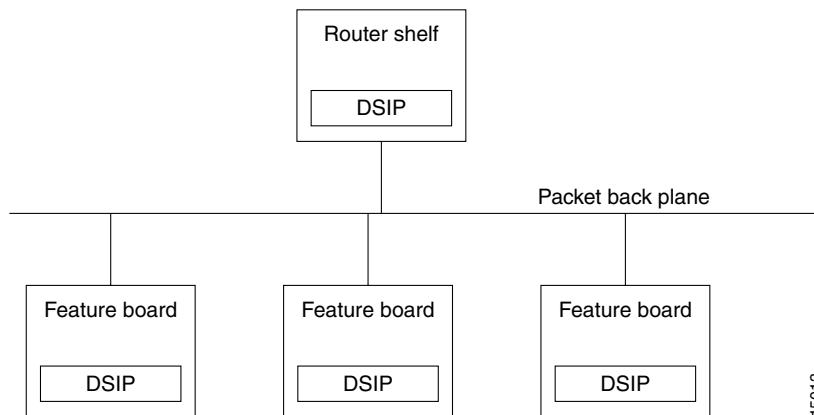


Note

For more information about split dial shelf configuration, refer to the hardware installation guides that accompanied your Cisco AS5800 Universal Access Server and the *Cisco AS5800 Universal Access Server Software Installation and Configuration Guide*.

The Dial Shelf Interconnect Protocol (DSIP) is used for communication between router shelf and dial shelf on an AS5800. [Figure 1](#) diagrams the components of the architecture. The router shelf is the host for DSIP commands, which can be run remotely on the feature boards of the dial shelf using the command, **execute-on**. DSIP communicates over the packet backplane via the dial shelf interconnect (DSI) cable.

Figure 1 DSIP Architecture in the Cisco AS5800



Split Dial Shelves Feature

The split dial shelves feature provides for doubling the throughput of the Cisco AS5800 access server by splitting the dial shelf slots between two router shelves, each router connected to one Dial Shelf Controller (DSC), two of which must be installed in the system. Each router shelf is configured to control a certain set from the range of the dial shelf slots. Each router shelf will operate as though any other slots in the dial shelf contained no cards, even if there is a card in them, because they are controlled by the other router shelf. Thus the configuration on each router shelf would affect only the “owned” slots.

Each router shelf should own modem cards and trunk cards. Calls received on a trunk card belonging to one router shelf cannot be serviced by a modem card belonging to the other router shelf. Each router shelf operates like a single Cisco AS5800 access server system, as if some slots are unavailable.

Refer to the section [“Configuring Dial Shelf Split Mode”](#) for more information about configuring split dial shelves.

How to Configure Dial Shelves

To configure and maintain dial shelves, perform the tasks in the following sections:

- [Configuring the Shelf ID](#)
- [Configuring Redundant DSC Cards](#)
- [Synchronizing to the System Clocks](#)
- [Configuring Dial Shelf Split Mode](#)
- [Executing Commands Remotely](#)
- [Verifying DSC Configuration](#)
- [Monitoring and Maintaining the DSCs](#)
- [Troubleshooting DSIP](#)

Configuring the Shelf ID

The Cisco AS5800 consists of a router shelf and a dial shelf. To distinguish the slot/port number on the Cisco AS5800, you must specify the shelf number. The default shelf number is 0 for the router shelf and 1 for the dial shelf.



Caution

You must reload the Cisco AS5800 for the new shelf number to take effect. Because the shelf number is part of the interface names when you reload, all NVRAM interface configuration information is lost.

Normally you do not need to change the shelf IDs; however, if you do, we recommend that you change the shelf number when you initially access the setup facility. For information on the setup facility, refer to the *Cisco AS5800 Universal Access Server Software Installation and Configuration Guide*.

If you are booting the router shelf from the network (netbooting), you can change the shelf numbers using the **shelf-id** command.

To configure the dial shelf, you save and verify the configuration in EXEC mode, and enter **shelf-id** commands in global configuration mode, as indicated in the following steps:

	Command	Purpose
Step 1	Router# copy startup-configure tftp	Saves your current configuration. Changing the shelf number removes all interface configuration information when you reload the Cisco AS5800.
Step 2	Router# configure terminal	Begins global configuration mode.
Step 3	Router(config)# shelf-id number router-shelf	Specifies the router shelf ID.
Step 4	Router(config)# shelf-id number dial-shelf	Specifies the dial shelf ID.
Step 5	Router(config)# exit	Exits global configuration mode.
Step 6	Router# copy running-config startup-config	Saves your configuration. This step is optional.
Step 7	Router# show version	Verifies that the correct shelf number will be changed after the next reload.

	Command	Purpose
Step 8	Router# reload components all	Instructs the DSC (or DSCs in a redundant configuration) be reloaded at the same time as a reload on the router shelf. Type “yes” to the “save config” prompt. Configure one interface so that its router shelf has connectivity to the server with the configuration.
Step 9	Router# copy tftp startup-config	Because changing the shelf number removes all interface configuration information when you reload the Cisco AS5800, edit the configuration file saved in step 1 and download it.

If you are booting the router shelf from Flash memory, use the following commands beginning in EXEC mode:

	Command	Purpose
Step 1	Router# copy running-config tftp or Router# copy startup-config tftp	Saves your current (latest) configuration to a server.
Step 2	Router# configure terminal	Begins global configuration mode.
Step 3	Router(config)# shelf-id number router-shelf	Configures the router shelf ID.
Step 4	Router(config)# shelf-id number dial-shelf	Configures the dial shelf ID.
Step 5	Router(config)# exit	Exits global configuration mode.
Step 6	Router> copy running-config startup-config	Saves your configuration. This step is optional. If this step is skipped, type “No” at the “save configuration” prompt.
Step 7	Router> show version	Allows verification that the correct shelf number will be changed after the next reload. Edit the configuration file saved in Step 1.
Step 8	Router> copy tftp startup-config	Copies the edited configuration to NVRAM on the Cisco AS5800.
Step 9	Router# reload components all	Instructs the DSC (or DSCs in a redundant configuration) to be reloaded at the same time as a reload on the router shelf.

Configuring Redundant DSC Cards

The Redundant Dial Shelf Controller feature consists of two DSC cards on a Cisco AS5800 dial shelf. The DSC cards provide clock and power control to the dial shelf cards. Each DSC card provides the following:

- Master clock for the dial shelf
- Fast Ethernet link to the router shelf
- Environmental monitoring of the feature boards
- Bootstrap images on start-up for the feature boards

The Redundant Dial Shelf Controller feature is automatically enabled when two DSC cards are installed. DSC redundancy is supported with Cisco AS5800 software at the Dial Shelf Interconnect Protocol (DSIP) level.

This feature enables a Cisco AS5800 dial shelf to use dual DSCs for full redundancy. A redundant configuration allows for one DSC to act as backup to the active card, should the active card fail. This increases system availability by preventing loss of service. The redundant DSC functionality is robust under high loads and through DSC or software crashes and reloads. The redundant DSC functionality is driven by the following events:

- User actions
- Control messages
- Timeouts
- Detection of component failures
- Error and warning messages

DSC redundancy provides maximum system availability by preventing loss of service if one of the DSCs fails. There is no load sharing between the Broadband Inter-Carrier Interfaces (BICI). One BIC is used as a backup, carrying only control traffic, such as keepalives, until there is a switchover.

Before starting this configuration task:

- Your Cisco AS5800 router shelf and dial shelf must be fully installed, with two DSC cards installed on the dial shelf.
- Your Cisco AS5800 access server must be running Cisco IOS Release 12.1(2)T.
- The external DSC clocking port must be configured identically on both router shelves and must be physically connected to both DSCs. This assures that if a DSC card needs replacing or if the backup DSC card becomes primary, clocking remains stable.

Synchronizing to the System Clocks

The time-division multiplexing (TDM) bus in the backplane on the dial shelf must be synchronized to the T1/E1 clocks on the trunk cards. The Dial Shelf Controller (DSC) card on the dial shelf provides hardware logic to accept multiple clock sources as input and use one of them as the primary source to generate a stable, PPL synchronized output clock. The input clock can be any of the following sources:

- Trunk port in slots 0 through 5—up to 12 can be selected (2 per slot)
- An external T1 or E1 clock source fed directly through a connector on the DSC card
- A free-running clock from an oscillator in the clocking hardware on the DSC card

For dual (redundant) DSC cards, the external DSC clocking port should be configured so that the clock signal fed into both DSCs is identical.

To configure the external clocks, use the following commands from the router shelf login beginning in global configuration mode. One external clock is configured as the primary clock source, and the other is configured as the backup clock source.

	Command	Purpose
Step 1	Router(config)# dial-tdm-clock priority value	Configures the trunk card clock priority. Priority range is a value between 1 and 50.
Step 2	Router(config)# dial-tdm-clock priority X {trunk-slot Y port Z} external {t1 e1} [120-ohm]	Selects the T1/E1 trunk slot and port that is providing the clocking source. T1/E1 selection is based on the incoming signal. Select the impedance. The default impedance is 75-ohm.
Step 3	Router(config)# dial-tdm-clock priority value external t1 or Router(config)# dial-tdm-clock priority value external e1	Configures the T1/E1 external clock on the dial shelf controller front panel. T1/E1 selection is based on the signal coming in. Priority range is a value between 1 and 50.
Step 4	Router(config)# Ctrl-Z Router#	Verifies your command registers when you press the return key. Enter Ctrl-Z to return to privileged EXEC mode.
Step 5	Router# copy running-config startup-config	Saves your changes.

Verifying External Clock Configuration

To verify that the primary clock is running, enter the **show dial-shelf clocks** privileged EXEC command:

```
Router# show dial-shelf 12 clocks
```

```
Slot 12:
System primary is 1/2/0 of priority 202
TDM Bus Master Clock Generator State = NORMAL
Backup clocks:
Source  Slot      Port      Priority      Status      State
-----
Trunk   2              1          208          Good        Default
Slot    Type           11 10 9  8  7  6  5  4  3  2  1  0
2       T1            G  G  G  G  G  G  G  G  G  G  G  G
```

For more information on configuring external clocks, refer to the Cisco document *Managing Dial Shelves*.

Configuring Dial Shelf Split Mode

This section describes the procedure required to transition a router from normal mode to split mode and to change the set of slots a router owns while it is in split mode. Since the process of switching the ownership of a slot from one router to the other is potentially disruptive (when a feature board is restarted, all calls through that card are lost), a router shelf cannot take over a slot until ownership is relinquished by the router that currently claims ownership, either by reconfiguring the router or disconnecting that router or its associated DSC.

The dial shelf is split by dividing the ownership of the feature boards between the two router shelves. You must configure the division of the dial shelf slots between the two router shelves so that each router controls an appropriate mix of trunk and modem cards. Each router shelf controls its set of feature boards as if those were the only boards present. There is no interaction between feature boards owned by one router and feature boards owned by the other router.

Split mode is entered when the **dial-shelf split slots** command is parsed on the router shelf. This can occur when the router is starting up and parsing the stored configuration, or when the command is entered when the router is already up. Upon parsing the **dial-shelf split slots** command, the router frees any resources associated with cards in the slots that it no longer owns, as specified by exclusion of slot numbers from the *slot-numbers* argument. The router should be in the same state as if the card had been removed from the slot; all calls through that card will be terminated. The configured router then informs its connected DSC that it is in split mode, and which slots it claims to own.

In split mode, a router shelf by default takes half of the 2048 available TDM timeslots. The TDM split mode is configured using the **dial-shelf split backplane-ds0** command. (The **dial-shelf split slot** command must be defined for the **dial-shelf split backplane-ds0** command to be active.) If the **dial-shelf split slots** command is entered when the total number of calls using timeslots exceeds the number that would normally be available to the router in split mode, the command is rejected. This should occur only when a change to split mode is attempted, in which the dial shelf has more than 896 calls in progress (more than half of the 1,792 available timeslots). Otherwise, a transition from normal mode to split mode can be made without disturbing the cards in the slots that remain owned, and calls going through those cards will stay up.

To configure a router for split dial shelf operation, perform the following steps:

Step 1 Ensure that both DSCs and both router shelves are running the same Cisco IOS image.



Note Having the same version of Cisco IOS running on both DSCs and both router shelves is not mandatory; however, it is a good idea. There is no automatic checking that the versions are the same.

Step 2 Schedule a time when the Cisco AS5800 can be taken out of service without unnecessarily terminating calls in progress. The entire procedure for transitioning from normal mode to split mode should require approximately one hour if all the hardware is already installed.

Step 3 Busy out all feature boards and wait for your customers to log off.

Step 4 Reconfigure the existing router shelf to operate in split mode.

Step 5 Enter the **dial-shelf split slots** command, specifying the slot numbers that are to be owned by the existing router shelf.

Step 6 Configure the new router shelf to operate in split mode on other feature boards.

Step 7 Enter the **dial-shelf split slots** command, specifying the slot numbers that are to be owned by the new router shelf. Do not specify any of the slot numbers that you specified in Step 6. The range of valid slot numbers is 0 through 11.

To perform this step, enter the following command in global configuration mode:

Command	Purpose
Router(config)# dial-shelf split slots <i>slot-numbers</i>	<p>Enter list of slot numbers, for example:</p> <pre>dial-shelf split slots 0 1 2 6 7 8</pre> <p>In this example, the other router shelf could be configured to own the other slots: 3 4 5 9 10 11.</p> <p>Normal mode: This command changes the router shelf to split mode with ownership of the slots listed.</p> <p>In case of conflicting slot assignments, the command is rejected and a warning message is issued. Issue a show dial-shelf split slots command to the other router shelf to display its list of owned dial shelf slots.</p> <p>Online insertion and removal (OIR) events on all slots are detected by both DSCs and added to the list of feature boards physically present in the dial shelf; however, OIR event processing is done only for assigned slots.</p> <p>Split mode: This command adds the dial shelf slots listed to the router shelf's list of owned dial shelf slots.</p>

Step 8 Install the second DSC, if it has not already been installed.

Step 9 Connect the DSIP cable from the second DSC to the new router shelf.

Step 10 Ensure that split mode is operating properly.

Enter the **show dial-shelf** command for each router. This command has been extended so that the response indicates that the router shelf is running in split mode and which slots the router shelf owns. The status of any cards in any owned slots is shown, just as they are in the present **show dial-shelf** command. When in split mode, the output will be extended as in the following example:

```
System is in split dial shelf mode.
Slots owned: 0 2 3 4 5 6 (connected to DSC in slot 13)
Slot   Board   CPU      DRAM          I/O Memory   State   Elapsed
      Type   Util    Total (free)  Total (free)
0      CE1     0%/0%   21341728( 87%) 8388608( 45%) Up      00:11:37
2      CE1     0%/0%   21341728( 87%) 8388608( 45%) Up      00:11:37
4      Modem(HMM) 20%/20% 6661664( 47%) 6291456( 33%) Up      00:11:37
5      Modem(DMM) 0%/0%   6661664( 31%) 6291456( 32%) Up      00:11:37
6      Modem(DMM) 0%/0%   6661664( 31%) 6291456( 32%) Up      00:11:37
13     DSC     0%/0%   20451808( 91%) 8388608( 66%) Up      00:16:31
Dial shelf set for auto boot
```

Step 11 Enable all feature boards to accept calls once again.

Changing Slot Sets

You can change the sets of slots owned by the two router shelves while they are in split mode by first removing slots from the set owned by one router, and then adding them to the slot set of the other router. The changed slot set information is sent to the respective DSCs, and the DSCs determine which slots have been removed and which added from the new slot set information. It should be clear that moving a slot in this manner will disconnect all calls that were going through the card in that slot.

To perform this task, enter the following commands as needed:

Command	Purpose
Router (config)# dial-shelf split slots remove <i>slot-numbers</i>	Removes the dial shelf slots listed from the router shelf's list of owned dial shelf slots. The effect of multiple commands is cumulative.
Router (config)# dial-shelf split slots <i>slot-numbers</i>	Adds the dial shelf slots listed to the router shelf's list of owned dial shelf slots.

When a Slot Is Removed

The router shelf that is losing the slot frees any resources and clears any state associated with the card in the slot it is relinquishing. The DSC reconfigures its hub to ignore traffic from that slot, and if there is a card in the slot, it will be reset. This ensures that the card frees up any TDM resource it might be using and allows it to restart under control of the router shelf that is subsequently configured to own the slot.

When a Slot Is Added

If there are no configuration conflicts, and there is a card present in the added slot, a dial-shelf OIR insertion event is sent to the router shelf, which processes the event the same as it always does. The card in the added slot is reset by the DSC to ensure a clean state, and the card downloads its image from the router shelf that now owns it.

If the other router shelf and the other DSC claim ownership of the same slot, the command adding the slot should be rejected. However, should a configuration conflict exist, error messages are sent to both routers and the card is not reset until one of the other router shelves and its DSC stop claiming ownership of the slot. Normally, this will not happen until you issue a **dial-shelf split slots remove** command surrendering the ownership claim on the slot by one of the routers.

Leaving Split Mode

Split mode is exited when the dial shelf configuration is changed by a **no dial-shelf split slots** command. When the split dial shelf line is removed, the router shelf will start using all of the TDM timeslots. Feature boards that were not owned in split mode and that are not owned by the other router will be reset. Cards in slots that are owned by the other router will be reset, but only after the other DSC has been removed or is no longer claiming the slots. The split dial shelf configuration should not be removed while the second router shelf is still connected to the dial shelf.

When a router configured in split mode fails, all calls associated with the failed router are lost. Users cannot connect back in until the failed router recovers and is available to accept new incoming calls; however, the other split mode router shelf will continue to operate normally.

Troubleshooting Split Dial Shelves

The system will behave as configured as soon as the configuration is changed. The exception is when there is a misconfiguration, such as when one router is configured in split mode and the other router is configured in normal mode, or when both routers are configured in split mode and both claim ownership of the same slots.

Problems can arise if one of the two routers connected to a dial shelf is not configured in split mode, or if both are configured in split mode and both claim ownership of the same slots. If the state of the second router is known when the **dial-shelf split slots** command is entered and the command would result in a conflict, the command is rejected.

If a conflict in slot ownership does arise, both routers will receive warning messages until the conflict is resolved. Any card in a slot which is claimed by both routers remains under the control of the router that claimed it first, until you can resolve the conflict by correcting the configuration of one or both routers.

It should be noted that there can also be slots that are not owned by either router (orphan slots). Cards in orphan slots cannot boot up until one of the two routers claims ownership of the slot because neither DSC will download bootstrap images to cards in unowned orphan slots.

Managing a Split Dial Shelf

If you are installing split dial shelf systems, a system controller is available that provides a single system view of multiple point of presences (POPs). The system controller for the Cisco AS5800 Universal Access Server includes the Cisco 3640 router running Cisco IOS software. The system controller can be installed at a remote facility so that you can access multiple systems through a console port or Web interface.

There are no new MIBs or MIB variables required for the split dial shelf configuration. A split dial shelf appears to Simple Network Management Protocol (SNMP) management applications as two separate Cisco AS5800 systems. One console to manage the whole system is not supported—you must have a console session per router shelf (two console sessions) to configure each split of the Cisco AS5800. The system controller must manage a split dial shelf configuration as two separate Cisco AS5800 systems.

The normal mode configuration of the Cisco AS5800 requires the dial shelf and router shelf IDs to be different. In a split system, four unique shelf IDs are desirable, one for each router shelf and one for each of the slot sets; however, a split system will function satisfactorily if the router shelf IDs are the same. If a system controller is used to manage a split dial shelf configuration, the two routers must have distinct shelf IDs, just as they must when each router has its own dial shelf.

You can download software configurations to any Cisco AS5800 using SNMP or a Telnet connection. The system controller also provides performance monitoring and accounting data collection and logging.

In addition to the system controller, a network management system with a graphical user interface (GUI) runs on a UNIX SPARC station and includes a database management system, polling engine, trap management, and map integration.

To manage a split dial shelf, enter the following commands in EXEC mode as needed:

Command	Purpose
Router# show dial-shelf split	Displays the slots assigned to each of the router shelves and the corresponding feature boards in 'orphan' slots (slots not currently assigned to either router).
Router# show dial-shelf	Displays information about the dial shelf, including clocking information.
Router# show context	Displays information about the dial shelf, including clocking information, but works only for owned slots. Use show context all to display all the information available about any slot. This is intended to cover the case where ownership of a feature board is moved from one router shelf to the other after a crash.

Executing Commands Remotely

Although not recommended, it is possible to connect directly to the system console interface in the DSC to execute dial shelf configuration commands. All commands necessary for dial shelf configuration, and **show**, and **debug** command tasks can be executed remotely from the router console. A special command, **execute-on**, is provided for this purpose. This command enables a special set of EXEC mode commands to be executed on the router or the dial shelf. This command is a convenience that avoids connecting the console to the DSC. For a list of commands you can execute using **execute-on**, refer to the command description in the *Cisco IOS Dial Technologies Command Reference*.

To enter a command that you wish to execute on a specific card installed in the dial shelf while logged onto the router shelf console, use the following commands in privileged EXEC mode as needed:

Command	Purpose
Router# execute-on slot <i>slot command</i>	Executes a command from the router shelf on a specific slot in the dial shelf.
Router# execute-on all <i>command</i>	Executes a command from the router shelf on all cards in the dial shelf.

Verifying DSC Configuration

To verify that you have started the redundant DSC feature, enter the **show redundancy** privileged EXEC command:

```
Router# show redundancy

DSC in slot 12:

Hub is in 'active' state.
Clock is in 'active' state.

DSC in slot 13:

Hub is in 'backup' state.
Clock is in 'backup' state.

Router#
```

Monitoring and Maintaining the DSCs

To monitor and maintain the DSC cards, use the following commands in privileged EXEC mode, as needed:

Command	Purpose
Router# hw-module shelf/slot {start stop}	Stops the target DSC remotely from the router console. Restart the DSC if it has been stopped.
Router# show redundancy [history]	Displays the current or history status for redundant DSC.

Command	Purpose
Router# debug redundancy {all ui clk hub}	Use this debug command if you need to collect events for troubleshooting, selecting the appropriate required key word.
Router# show debugging	Lists the debug commands that are turned on, including those for redundant DSC.

Troubleshooting DSIP

There are a number of show commands available to aid in troubleshooting dial shelves. Use the following EXEC mode commands to monitor DSI and DSIP activity as needed:

Command	Purpose
Router# clear dsip tracing	Clears tracing statistics for the DSIP.
Router# show dsip	Displays all information about the DSIP.
Router# show dsip clients	Displays information about DSIP clients.
Router# show dsip nodes	Displays information about the processors running the DSIP.
Router# show dsip ports	Displays information about local and remote ports.
Router# show dsip queue	Displays the number of messages in the retransmit queue waiting for acknowledgment.
Router# show dsip tracing	Displays DSIP tracing buffer information.
Router# show dsip transport	Displays information about the DSIP transport statistics for the control/data and IPC packets and registered addresses.
Router# show dsip version	Displays DSIP version information.

The privileged EXEC mode **show dsi** command can also be used to troubleshoot, as it displays the status of the DSI adapter, which is used to physically connect the router shelf and the dial shelf to enable DSIP communications.

The following is an example troubleshooting scenario:

Problem: The router shelf boots, but there is no communication between the router and dial shelves.

-
- Step 1** Run the **show dsip transport** command.
 - Step 2** Check the “DSIP registered addresses” column. If there are zero entries there, there is some problem with the Dial Shelf Interconnect (DSI). Check if the DSI is installed in the router shelf.
 - Step 3** If there is only one entry and it is our own local address, then first sanity check the physical layer. Make sure that there is a physical connection between the RS and DS. If everything is fine from cabling point of view, go to step 3.
 - Step 4** Check the DSI health by issuing the **show dsi** command. This gives a consolidated output of DSI controller and interface. Check for any errors like runts, giants, throttles and other usual FE interface errors.
-

Diagnosis: If an entry for a particular dial shelf slot is not found among the registered addresses, but most of other card entries are present, the problem is most likely with that dial shelf slot. The DSI hardware on that feature board is probably bad.

Port Management Services on Cisco Access Servers

Port Management Services on the Cisco AS5400 Access Server

Port service management on the Cisco AS5400 access server implements service using the NextPort dial feature card (DFC). The NextPort DFC is a hardware card that processes digital service port technology for the Cisco AS5400 access server. A port is defined as an endpoint on a DFC card through which multiservice tones and data flow. The ports on the NextPort DFC support both modem and digital services. Ports can be addressed-aggregated at the slot level of the NextPort module, the Service Processing Element (SPE) level within the NextPort module, and the individual port level. Cisco IOS Release 12.1(3)T or higher is required for the NextPort DFC.

Instead of the traditional line-modem one-to-one correspondence, lines are mapped to an SPE that resides on the Cisco AS5400 NextPort DFC. Each SPE provides modem services for six ports. Busyout and shutdown can be configured at the SPE or port level. The NextPort DFC introduces the slot and SPE software hierarchy. On the Cisco AS5400, the hierarchy designation is *slot/SPE*.

The NextPort DFC slot is defined as a value between 1 and 7. Slot 0 is reserved for the motherboard. Each NextPort DFC provides 18 SPEs. The SPE value ranges from 0 to 17. Since each SPE has six ports, the NextPort DFC has a total of 108 ports. The port value ranges from 0 to 107.

The NextPort DFC performs the following functions:

- Converts pulse code modulation (PCM) bitstreams to digital packet data.
- Forwards converted and packetized data to the main processor, which examines the data and forwards it to the backhaul egress interface.
- Supports all modem standards (such as V.34 and V.42*bis*) and features, including dial-in and dial-out.

Port Management Services on the Cisco AS5800 Access Server

Port service management on the Cisco AS5800 access server implements service on the Universal Port Card (UPC). A universal port carries a single channel at the speed of digital signal level 0 (DS0), or the equivalent of 64-kbps on a T1 facility.

Network traffic can be a modem, voice, or fax connection. The 324 port UPC uses NextPort hardware and firmware to provide universal ports for the Cisco AS5800 access server. These ports are grouped into 54 service processing elements (SPEs). Each SPE supports six universal ports. To find the total number of ports supported by a UPC, multiply the 54 SPEs by the six ports supported on each SPE. The total number of universal ports supported by a single UPC is 324. Configuration, management, and troubleshooting of universal ports can be done at the UPC, SPE, and port level. Each UPC also has a SDRAM card with a minimum of a 128 MB of memory.

The Cisco AS5800 access server can be equipped with a maximum of seven UPCs with upgradable firmware. The UPC supports data traffic, and depending on the software and platform is universal port capable. Each UPC plugs directly into the dial shelf backplane and does not need any external connections. Each UPC has three LEDs, which indicate card status.

The Cisco AS5800 access server is capable of terminating up to 2,048 incoming modem connections (slightly more than an OC3) when equipped with seven UPCs and three CT3 trunk cards. A split shelf configuration with a second router shelf and second dial shelf controller are required to achieve full

capacity. A single router with a standard configuration supports up to 1,344 port connections. Cisco IOS Release 12.1(3)T or higher is required for the UPC. Unless your system shipped with UPCs installed, you must upgrade the Cisco IOS image on the dial shelf and router shelf or shelves.

Instead of the traditional line-modem one-to-one correspondence, lines are mapped to an SPE that resides on the Cisco AS5800 access server UPC. Each SPE provides modem services for six ports. Busyout and shutdown can be configured at the SPE or port level. The UPC introduces the shelf, slot, and SPE software hierarchy. On the Cisco AS5800 access server, the hierarchy designation is *shelf/slot/SPE*.

A UPC can be installed in slots numbered 2 to 11 on the dial shelf backplane. If installed in slots 0 or 1, the UPC automatically powers down. Slots 0 and 1 only accept trunk cards; they do not accept mixes of cards. We recommend that you install mixes of T3 and T1 cards, or E1 trunk cards in slots 2 to 5. You can use double-density modem cards, UPCs, and VoIP cards simultaneously. Trunk cards can operate in slots 0 to 5 and are required for call termination.

The UPC performs the following functions:

- Converts pulse code modulation (PCM) bitstreams to digital packet data.
- Forwards converted and packetized data to the dial shelf main processor, which examines the data and forwards it to the router shelf. From the router shelf, the data is routed to the external network.

- Supports all modem standards (such as V.34 and V.42**bis**) and features, including dial-in and dial-out.
- Supports online insertion and removal (OIR), a feature that allows you to remove and replace UPCs while the system is operating. A UPC can be removed without disrupting the operation of other cards and their associated calls. If a UPC is removed while the system is operating, connections or current calls on that card are dropped. Calls being handled by other cards are not affected.

**Note**

All six ports on an SPE run the same firmware.

Upgrading and Configuring SPE Firmware

SPE firmware is automatically downloaded in both the Cisco AS5400 and AS5800 access servers.

AS5400 Access Server

SPE firmware is automatically downloaded to a NextPort DFC from the Cisco AS5400 when you boot the system for the first time, or when you insert a NextPort DFC while the system is operating. When you insert DFCs while the system is operating, the Cisco IOS image recognizes the cards and downloads the required firmware to the cards.

The SPE firmware image is bundled with the access server Cisco IOS image. The SPE firmware image uses an *autodetect* mechanism, which enables the NextPort DFC to service multiple call types. An SPE detects the call type and automatically configures itself for that operation. For further information on upgrading SPE firmware from the Cisco IOS image, refer to the section “[Configuring SPEs to Use an Upgraded Firmware File.](#)”

The firmware is upgradeable independent of Cisco IOS upgrades, and different firmware versions can be configured to run on SPEs in the same NextPort DFC. You can download firmware from the Cisco System Cisco.com File Transfer Protocol (FTP) server.

AS5800 Access Server

SPE firmware is automatically downloaded to an AS5800 UPC from the router shelf Cisco IOS image when you boot the system for the first time or when you insert a UPC while the system is operating. The Cisco IOS image recognizes the card and the dial shelf downloads the required portware to the cards. Cisco IOS Release 12.1(3)T or higher is required for the UPC.

The SPE firmware image (also known as *portware*) is bundled with the Cisco IOS UPC image. The SPE firmware image uses an *autodetect* mechanism, which enables the UPC to service multiple call types. An SPE detects the call type and automatically configures itself for that operation. For further information on upgrading SPE firmware from the Cisco IOS image, refer to the section “[Configuring SPEs to Use an Upgraded Firmware File.](#)”

The firmware is upgradeable independent of Cisco IOS upgrades, and different firmware versions can be configured to run on SPEs in the same UPC. You can download firmware from the Cisco.com File Transfer Protocol (FTP) server.

Firmware Upgrade Task List

Upgrading SPE firmware from the Cisco.com FTP server is done in two steps:

- [Downloading SPE Firmware from the Cisco.com FTP Server to a Local TFTP Server](#)
- [Copying the SPE Firmware File from the Local TFTP Server to the SPEs](#)

Firmware Configuration Task List

To complete firmware configuration once you have downloaded the SPE firmware, perform the tasks in the following sections:

- [Specifying a Country Name](#)
- [Configuring Dial Split Shelves \(AS5800 Only\)](#)
- [Configuring SPEs to Use an Upgraded Firmware File](#)
- [Disabling SPEs](#)
- [Rebooting SPEs](#)
- [Configuring Lines](#)
- [Configuring Ports](#)
- [Verifying SPE Line and Port Configuration](#)
- [Configuring SPE Performance Statistics](#)
- [Clearing Log Events](#)
- [Troubleshooting SPEs](#)
- [Monitoring SPE Performance Statistics](#)

**Note**

The following procedure can be used for either a Cisco AS5400 or AS5800 access server.

Downloading SPE Firmware from the Cisco.com FTP Server to a Local TFTP Server

**Note**

You must be a registered Cisco user to log in to the Cisco Software Center.

You can download software from the Cisco Systems Cisco.com FTP server using an Internet browser or using an FTP application. Both procedures are described.

Using an Internet Browser

- Step 1** Launch an Internet browser.
- Step 2** Bring up the Cisco Software Center home page at the following URL (this is subject to change without notice):
<http://www.cisco.com/kobayashi/sw-center/>
- Step 3** Click **Access Software** (under Cisco Software Products) to open the Access Software window.
- Step 4** Click **Cisco AS5400 Series** or **Cisco AS5800 Series** software.
- Step 5** Click the SPE firmware you want and download it to your workstation or PC. For example, to download SPE firmware for the universal access server, click **Download Universal Images**.
- Step 6** Click the SPE firmware file you want to download, and then follow the remaining download instructions. If you are downloading the SPE firmware file to a PC, make sure that you download the file to the c:/tftpboot directory; otherwise, the download process does not work.

- Step 7** When the SPE firmware is downloaded to your workstation, transfer the file to a Trivial File Transfer Protocol (TFTP) server in your LAN using a terminal emulation software application.
- Step 8** When the SPE firmware is downloaded to your workstation, transfer the file to a TFTP server somewhere in your LAN using a terminal emulation software application.

Using an FTP Application



Note

The directory path leading to the SPE firmware files on cco.cisco.com is subject to change without notice. If you cannot access the files using an FTP application, try the Cisco Systems URL <http://www.cisco.com/cgi-bin/ibld/all.pl?i=support&c=3>.

- Step 1** Log in to the Cisco.com FTP server called cco.cisco.com:

```
terminal> ftp cco.cisco.com
Connected to cio-sys.cisco.com.
```

- Step 2** Enter your registered username and password (for example, **harry** and **letmein**):

```
Name (cco.cisco.com:harry): harry
331 Password required for harry.
Password: letmein
230-#####
230-# Welcome to the Cisco Systems CCO FTP server.
230-# This server has a number of restrictions. If you are not familiar
230-# with these, please first get and read the /README or /README.TXT file.
230-# http://www.cisco.com/acs/info/cioesd.html for more info.
230-#####
```

- Step 3** Specify the directory path that holds the SPE firmware you want to download. For example, the directory path for the Cisco AS5400 SPE firmware is `/cisco/access/5400`:

```
ftp> cd /cisco/access/5400
250-Please read the file README
250- it was last modified on Tue May 27 10:07:38 1997 - 48 days ago
250-Please read the file README.txt
250- it was last modified on Tue May 27 10:07:38 1997 - 48 days ago
250 CWD command successful.
```

- Step 4** Enter the `ls` command to view the contents of the directory:

```
ftp> ls
227 Entering Passive Mode (192,31,7,130,218,128)
150 Opening ASCII mode data connection for /bin/ls.
total 2688
drwxr-s--T  2 ftpadmin ftpcio    512 Jun 30 18:11 .
drwxr-sr-t  19 ftpadmin ftpcio    512 Jun 23 10:26 ..
lrwxrwxrwx  1 root      3      10 Aug  6 1996  README ->README.txt
-rw-rw-r--  1 root      ftpcio   2304 May 27 10:07 README.txt
-r--r--r--  1 ftpadmin ftpint  377112 Jul 10 18:08 np-spe-upw-10.0.1.2.bin
-r--r--r--  1 ftpadmin ftpint    635 Jul 10 18:08 SPE-firmware.10.1.30.readme
```

- Step 5** Specify a binary image transfer:

```
ftp> binary
200 Type set to I.
```

- Step 6** Copy the SPE firmware files from the access server to your local environment with the `get` command.

Step 7 Quit your terminal session:

```
ftp> quit
Goodbye.
```

Step 8 Enter the **ls -al** command to verify that you successfully transferred the files to your local directory:

```
server% ls -al
total 596
-r--r--r-- 1 280208 Jul 10 18:08 np-spe-upw-10.0.1.2.bin
server% pwd
/auto/tftpboot
```

Step 9 Transfer these files to a local TFTP or remote copy protocol (RCP) server that your access server or router can access.

Copying the SPE Firmware File from the Local TFTP Server to the SPEs

The procedure for copying the SPE firmware file from your local TFTP server to the Cisco AS5400 NextPort DFCs or Cisco AS5800 UPCs is a two-step process. First, transfer the SPE firmware to the access server's Flash memory. Then, configure the SPEs to use the upgrade firmware. The upgrade occurs automatically, either as you leave configuration mode, or as specified in the configuration.

These two steps are performed only once. After you copy the SPE firmware file into Flash memory for the first time, you should not have to perform these steps again.



Note

Because the SPE firmware is configurable for individual SPEs or ranges of SPEs, the Cisco IOS software automatically copies the SPE firmware to each SPE each time the access server restarts.

To transfer SPE Firmware to Flash memory, perform the following task to download the Universal SPE firmware to Flash memory:

Step 1 Check the image in the access server Flash memory:

```
Router# show flash
System flash directory:
File Length Name/status
  1 4530624 c5400-js-mx
[498776 bytes used, 16278440 available, 16777216 total]
16384K bytes of processor board System flash (Read/Write)
```

Step 2 Enter the **copy tftp flash** command to download the code file from the TFTP server into the access server Flash memory. You are prompted for the download destination and the remote host name.

```
Router# copy tftp flash
```

Step 3 Enter the **show flash** command to verify that the file has been copied into the access server Flash memory:

```
Router# show flash
```

Specifying a Country Name

To set the Cisco AS5400 NextPort DFCs or Cisco AS5800 UPCs to be operational for call set up, you must specify the country name. To specify the country name, use the following command in global configuration mode:

Command	Purpose
Router(config)# spe country <i>country name</i>	Specifies the country to set the UPC or DFC parameters (including country code and encoding). If you do not specify a country, the interface uses the default. If the access server is configured with T1 interfaces, the default is usa . If the access server is configured with E1 interfaces, the default is e1-default . Use the no form of this command to set the country code to the default of the domestic country. Note All sessions in all UPCs or DFCs in all slots must be in the idle state for this command to execute.

Configuring Dial Split Shelves (AS5800 Only)

The Cisco AS5800 access server requires a split dial shelf configuration using two router shelves to achieve the maximum capacity of 2048 port connections using the seven UPCs and three T3 + 1 T1 trunks. A new configuration command is available to define the split point:

dial-shelf split backplane-ds0 *option*

The options for this command come in pairs, and vary according to the desired configuration. You will need to log in to each router shelf and separately configure the routers for the intended load. In most circumstances it is recommended that the predefined options are selected. These options are designed to be matched pairs as seen below.

Option Pair	Router Shelf 1			Router Shelf 2			Total
	Option	Maximum Calls	Unused T1	Option	Maximum Calls	Unused T1	
1	2ct3cas	1344		1ct3cas	672		2016
2	part2ct1ct3cas	1152	4	part1ct1ct3cas	888	3	2040
3	2ct3isdn	1288		part1ct1ct3isdn_b	644	7	1932
4	part2ct1ct3isdn	1150	2	part1ct1ct3isdn	897	1	2047
5 ¹	3ce1	960		3ce1	960		1920
6	Default (no option entered)	1/2 of current input		Default (no option entered)	1/2 of current input		
7	no dial-shelf backplane-ds0	1024		no dial-shelf backplane-ds0	1024		2048

1. This option is used to revert to the default for an environment using 6 E1 lines.

The **dial-shelf split slot 0 3 4 5** command must be defined for the **dial-shelf split backplane-ds0** option command to be active. You may also select the **user defined** option to define your own split.

Even if your system is already using a split dial shelf configuration, configuring one router shelf to handle two T3 trunks and the other router to handle the third trunk requires you to take the entire access server out of service. Busyout all connections before attempting to reconfigure. The configuration must be changed to setup one pool of TDM resources that can be used by either DMM cards or UPCs, and a second pool of two streams that contains TDM resources that can only be used by UPCs.

You may have more trunk capacity than 2048 calls. It is your decision how to provision the trunks so the backplane capacity is not exceeded. If more calls come in than backplane DS0 capacity for that half of the split, the call will be rejected and an error message printed for each call. This cannot be detected while a new configuration is being built because the router cannot tell which T1 trunks are provisioned and which are not. The user may want some trunks in hot standby.

The DMM, HMM, and VoIP cards can only use 1792 DS0 of the available 2048 backplane DS0. The UPC and trunk cards can use the full 2048 backplane DS0. The **show tdm splitbackplane** command will show the resources in two groups, the first 1792 accessible to all cards, and the remaining 256 accessible only to UPC and trunk cards.

For more information about split dial shelf configuration, refer to the *Cisco AS5800 Universal Access Server Split Dial Shelf Installation and Configuration Guide* and the hardware installation guides that accompanied your Cisco AS5800 Universal Access Server.

Configuring SPEs to Use an Upgraded Firmware File

To configure the SPEs to use the upgraded firmware file, use the following commands beginning in privileged EXEC mode to display the firmware version number:

	Command	Purpose
Step 1	Router# show spe version	Displays SPE firmware versions to obtain the On-Flash firmware filename.
Step 2	Router# configure terminal	Enters global configuration mode.
Step 3	AS5400: Router(config)# spe slot/spe or Router(config)# spe slot/spe slot/spe AS5800: Router(config)# spe shelf/slot/spe or Router(config)# spe shelf/slot/spe shelf/slot/spe	Enters the SPE configuration mode. You can choose to configure a range of SPEs by specifying the first and last SPE in the range.
Step 4	Router(config-spe)# firmware upgrade {busyout download-maintenance reboot}	Specifies the upgrade method. Three methods of upgrade are available. The busyout keyword waits until all calls are terminated on an SPE before upgrading the SPE to the designated firmware. The download-maintenance keyword upgrades the firmware during the download maintenance time. The reboot keyword requests the access server to upgrade firmware at the next reboot.

	Command	Purpose
Step 5	Router(config-spe)# firmware location <i>filename</i>	Specifies the SPE firmware file in Flash memory to use for the selected SPEs. Allows you to upgrade firmware for SPEs after the new SPE firmware image is copied to your Flash memory. Enter the no firmware location command to revert back to the default Cisco IOS bundled SPE firmware.
Step 6	Router(config-spe)# exit	Exits SPE configuration mode.
Step 7	Router# exit	Exits global configuration mode.
Step 8	Router# copy running-config startup-config	Saves your changes.

**Note**

The **copy ios-bundled** command is not necessary with UPCs or NextPort DFCs. By default, the version of SPE firmware bundled with the Cisco IOS software release transfers to all SPEs not specifically configured for a different SPE firmware file.

Disabling SPEs

To disable specific SPEs in the Cisco AS5400 NextPort DFCs or Cisco AS5800 UPCs, use the following commands starting in global configuration mode:

	Command	Purpose
Step 1	<p>Cisco AS5400 Series Routers</p> <pre>Router(config)# spe slot/spe</pre> <p>OR</p> <pre>Router(config)# spe slot/spe slot/spe</pre> <p>Cisco AS5800 Series Routers</p> <pre>Router(config)# spe shelf/slot/spe</pre> <p>OR</p> <pre>Router(config)# spe shelf/slot/spe shelf/slot/spe</pre>	Enters SPE configuration mode. You can also configure SPEs specifying the first and last SPE in a range.

	Command	Purpose
Step 2	Router(config-spe)# busyout	<p>Gracefully disables an SPE by waiting for all the active services on the specified SPE to terminate.</p> <p>You can perform auto-diagnostic tests and firmware upgrades when you put the SPEs in the Busy out state. Active ports on the specified SPE will change the state of the specified range of SPEs to the BusyoutPending state. The state changes from BusyoutPending to Busiedout when all calls end. Use the show spe command to see the state of the range of SPEs.</p> <p>Use the no form of this command to re-enable the SPEs.</p>
Step 3	Router(config-spe)# shutdown	<p>Clears active calls on all ports on the SPE. Calls can no longer be placed on the SPE because the SPE state is changed to Busiedout.</p> <p>Use the no form of this command to re-enable the ports on the SPE.</p>

Rebooting SPEs

To reboot specified SPEs, use the following command in privileged EXEC mode:

Command	Purpose
<p>Cisco AS5400 Series Routers</p> <p>Router# clear spe slot/spe</p>	<p>Allows manual recovery of a port that is frozen in a suspended state. Reboots SPEs that are in suspended or Bad state. Downloads configured firmware to the specified SPE or range of SPEs and power-on self test (POST) is executed.</p> <p>Note Depending on the problem, sometimes downloading the SPE firmware may not help recover a bad port or an SPE.</p> <p>This command can be executed regardless of the state of SPEs. All active ports running on the SPE are prematurely terminated, and messages are logged into the appropriate log.</p>
<p>Cisco AS5800 Series Routers</p> <p>Router# clear spe shelf/slot/spe</p>	

Configuring Lines

To configure the lines to dial in to your network, use the following commands beginning in global configuration mode:

	Command	Purpose
Step 1	<p>Cisco AS5400 Series Routers</p> <pre>Router(config)# line slot/port slot/port</pre> <p>Cisco AS5800 Series Routers</p> <pre>Router(config)# line shelf/slot/port shelf/slot/port</pre>	<p>Enters the line configuration mode. You can specify a range of slot and port numbers to configure.</p> <p>On the Cisco AS5400 access server, the NextPort DFC slot is defined as a value between 1 and 7. Slot 0 is reserved for the motherboard. Each NextPort DFC provides 18 SPEs. The SPE value ranges from 0 to 17. Since each SPE has six ports, the NextPort DFC has a total of 108 ports. The port value ranges from 0 to 107. To configure 108 ports on slot 3, you would enter line 3/00 3/107. If you wish to configure 324 ports on slots 3-5, you would enter line 3/00 5/107.</p> <p>On the Cisco AS5800 access server, the UPC slot is defined as a value between 2 and 11. Each UPC provides 54 SPEs. The SPE value ranges from 0 to 53. Because each SPE has six ports, the UPC has a total of 324 ports. The port value ranges from 0 to 323. To configure 324 ports on slot 3, you would enter line 1/3/00 1/3/323. If you want to configure 972 ports on slots 3-5, you would enter line 1/3/00 1/5/323.</p>
Step 2	<pre>Router(config-line)# transport input all</pre>	Allows all protocols when connecting to the line.
Step 3	<pre>Router(config-line)# autoselect ppp</pre>	Enables remote IP users running a PPP application to dial in, bypass the EXEC facility, and connect directly to the network.
Step 4	<pre>Router(config-line)# modem inout</pre>	Enables incoming and outgoing calls.
Step 5	<pre>Router(config-line)# modem autoconfigure type name</pre>	Configures the attached modem using the entry for name.

Configuring Ports

This section describes how to configure Cisco AS5800 UPC or Cisco AS5400 NextPort DFC ports. You need to be in port configuration mode to configure these ports. The port configuration mode allows you to shut down or put individual ports or ranges of ports in busyout mode. To configure Cisco AS5800 UPC or Cisco AS5400 NextPort DFC ports, perform the following tasks beginning in global configuration mode:

	Command	Purpose
Step 1	<p>Cisco AS5400 Series Routers</p> <pre>Router(config)# port slot/spe</pre> <p>OR</p> <pre>Router(config)# port slot/spe slot/spe</pre> <p>Cisco AS5800 Series Routers</p> <pre>Router(config)# port shelf/slot/spe</pre> <p>OR</p> <pre>Router(config)# port shelf/slot/spe shelf/slot/spe</pre>	Enters port configuration mode. You can choose to configure a single port or range of ports.
Step 2	<pre>Router(config-port)# busyout</pre>	<p>(Optional) Gracefully disables a port by waiting for the active services on the specified port to terminate. Use the no form of this command to re-enable the ports.</p> <p>Maintenance activities, such as testing, can still be performed while the port is in busyout mode.</p> <p>Note When a port is in busyout mode, the state of the SPE is changed to the consolidated states of all the underlying ports on that SPE.</p>
Step 3	<pre>Router(config-port)# shutdown</pre>	<p>(Optional) Clears active calls on the port. No more calls can be placed on the port in the shutdown mode. Use the no form of this command to re-enable the ports.</p> <p>Note When a port is in shutdown mode, the state of the SPE is changed to the consolidated states of all the underlying ports on that SPE.</p>
Step 4	<pre>Router(config-port)# exit</pre>	Exits port configuration mode.

Verifying SPE Line and Port Configuration

To verify your SPE line configuration, enter the **show spe** command to display a summary for all the lines and ports:

Step 1 Enter the **show spe** command to display a summary for all the lines and ports:

```
Router# show spe
```

Step 2 Enter the **show line** command to display a summary for a single line.

AS5400

```
Router# show line 1/1
```

AS5800

```
Router# show line 1/2/10
```

**Note**

If you are having trouble, make sure that you have turned on the protocols for connecting to the lines (**transport input all**) and that your access server is configured for incoming and outgoing calls (**modem inout**).

Configuring SPE Performance Statistics

Depending on the configuration, call record is displayed on the console, or the syslog, or on both. The log contains raw data in binary form, which must be viewed using the **show** commands listed in the section “[Monitoring SPE Performance Statistics](#).” You can configure some aspects of history events by using one of the following commands in global configuration mode:

Command	Purpose
Router(config)# spe call-record modem <i>max-userid</i>	Requests the access server to generate a modem call record after a call is terminated. To disable this function, use the no form of this command.
Router(config)# spe log-size <i>number</i>	Sets the maximum size of the history event queue log entry for each port. The default is 50 events per port.

Clearing Log Events

To clear some or all of the log events relating to the SPEs as needed, use the following privileged EXEC mode commands:

Command	Purpose
Router# clear spe log	Clears all event entries in the slot history event log.
Router# clear spe counters	Clears statistical counters for all types of services for the specified SPE, a specified range of SPEs, or all SPEs. If you do not specify the range of SPEs or an SPE, the statistics for all SPEs are cleared.
Router# clear port log	Clears all event entries in the port level history event log. You cannot remove individual service events from the port log.

Troubleshooting SPEs

This section provides troubleshooting information for your SPEs regardless of service type mode.

**Note**

SPE ports that pass the diagnostic test are marked as Pass, Fail, and Unkn. Ports that fail the diagnostic test are marked as Bad. These ports cannot be used for call connections. Depending on how many ports are installed, the diagnostic tests may take from 5 to 10 minutes to complete.

- Enter the **port modem startup-test** command to perform diagnostic testing for all modems during the system's initial startup or rebooting process. To disable the test, enter the **no port modem startup-test** command.
- Enter the **port modem autotest** command to perform diagnostic testing for all ports during the system's initial startup or rebooting process. To disable the test, enter the **no port modem autotest** command.

You may additionally configure the following options:

- Enter the **port modem autotest minimum ports** command to define the minimum number of free ports available for autotest to begin.
- Enter the **port modem autotest time hh:mm interval** command to enable autotesting time and interval.
- Enter the **port modem autotest error threshold** command to define the maximum number of errors detected for autotest to begin.
- Enter the **show port modem test** command to displays results of the SPE port startup test and SPE port auto-test.

When an SPE port is tested as Bad, you may perform additional testing by conducting a series of internal back-to-back connections and data transfers between two SPE ports. All port test connections occur inside the access server. For example, if mobile users cannot dial into port 2/5 (which is the sixth port on the NextPort DFC in the second chassis slot), attempt a back-to-back test with port 2/5 and a known-functioning port such as port 2/6.

- Enter the **test port modem back-to-back slot/port slot/port** command to perform internal back-to-back port tests between two ports sending test packets of the specified size.



Note You might need to enable this command on several different combinations of ports to determine which one is not functioning properly. A pair of operable ports successfully connects and completes transmitting data in both directions. An operable port and an inoperable port do not successfully connect with each other.

A sample back-to-back test might look like the following:

```
Router# test port modem back-to-back 2/10 3/20
Repetitions (of 10-byte packets) [1]:
*Mar 02 12:13:51.743:%PM_MODEM_MAINT-5-B2BCONNECT:Modems (2/10) and (3/20) connected
in back-to-back test:CONNECT33600/V34/LAP
*Mar 02 12:13:52.783:%PM_MODEM_MAINT-5-B2BMODEMS:Modems (3/20) and (2/10) completed
back-to-back test:success/packets = 2/2
```



Tip

You may reboot the port that has problems using the **clear spe EXEC** command.

- Enter the **spe recovery {port-action {disable | recover | none} | port-threshold num-failures}** command to perform automatic recovery (removal from service and reloading of SPE firmware) of ports on an SPE at any available time.

An SPE port failing to connect for a certain number of consecutive times indicates that a problem exists in a specific part or the whole of SPE firmware. Such SPEs have to be recovered by downloading firmware. Any port failing to connect *num-failures* times is moved to a state based on the **port-action** value, where you can choose to disable (mark the port as Bad) or recover the port when the SPE is in the idle state and has no active calls. The default for *num-failures* is 30 consecutive call failures.

**Tip**

You may also schedule recovery using the **spe download maintenance** command.

- Enter the **spe download maintenance time *hh:mm* | stop-time *hh:mm* | max-spes *number* | window *time-period* | expired-window {**drop-call** | **reschedule**}** command to perform a scheduled recovery of SPEs.

The download maintenance activity starts at the set start **time** and steps through all the SPEs that need recovery and the SPEs that need a firmware upgrade and starts maintenance on the maximum number of set SPEs for maintenance. The system waits for the **window** delay time for all the ports on the SPE to become inactive before moving the SPE to the Idle state. Immediately after the SPE moves to Idle state, the system starts to download firmware. If the ports are still in use by the end of **window** delay time, depending upon the **expired-window** setting, connections on the SPE ports are shutdown and the firmware is downloaded by choosing the **drop-call** option, or the firmware download is rescheduled to the next download maintenance time by choosing the **reschedule** option. This process continues until the number of SPEs under maintenance is below **max-spes**, or until **stop-time** (if set), or until all SPEs marked for recovery or upgrade have had their firmware reloaded.

Monitoring SPE Performance Statistics

This section documents various SPE performance statistics for the Cisco AS5400 NextPort DFCs or Cisco AS5800 UPCs:

- [SPE Events and Firmware Statistics](#)
- [Port Statistics](#)
- [Digital SPE Statistics](#)
- [SPE Modem Statistics](#)

SPE Events and Firmware Statistics

To view SPE events and firmware statistics for the Cisco AS5400 NextPort DFCs or Cisco AS5800 UPCs, use one or more of the following commands in privileged EXEC mode:

Command	Purpose
Cisco AS5400 series routers Router# show spe slot/spe	Displays the SPE status for the specified range of SPEs.
Cisco AS5800 series routers Router# show spe shelf/slot/spe	
Router# show spe log [reverse slot]	Displays the SPE system log.
Router# show spe version	Lists all SPEs and the SPE firmware files used. Note This list helps you decide if you need to update your SPE firmware files.

Port Statistics

To view port statistics for the Cisco AS5400 NextPort DFCs or Cisco AS5800 UPCs, use the following commands in privileged EXEC mode as needed:

Command	Purpose
<p>Cisco AS5400 series routers</p> <pre>Router# show port config {slot slot/port}</pre>	Displays the configuration information for specified ports or the specified port range. The port should have an active session associated at the time the command is executed.
<p>Cisco AS5800 series routers</p> <pre>Router# show port config {slot shelf/slot/port}</pre>	
<p>Cisco AS5400 series routers</p> <pre>Router# show port digital log [reverse slot/port] [slot slot/port]</pre>	Displays the digital data event log.
<p>Cisco AS5400 series routers</p> <pre>Router# show port modem log [reverse slot/port] [slot slot/port]</pre>	Displays the port history event log.
<p>Cisco AS5800 series routers</p> <pre>Router# show port modem log [reverse shelf/slot/port] [shelf/slot shelf/slot/port]</pre>	
<p>Cisco AS5400 series routers</p> <pre>Router# show port modem test [slot slot/port]</pre>	Displays the test log for the specified SPE port range or all the SPE ports.
<p>Cisco AS5800 series routers</p> <pre>Router# show port modem test [shelf/slot shelf/slot/port]</pre>	
<p>Cisco AS5400 series routers</p> <pre>Router# show port operational-status [slot slot/port]</pre>	Displays the operational status of the specified ports or the specified port range. The port should have an active session associated at the time the command is executed.
<p>Cisco AS5800 series routers</p> <pre>Router# show port operational-status [shelf/slot shelf/slot/port]</pre>	

Digital SPE Statistics

To view digital SPE statistics for the Cisco AS5400 NextPort DFCs, use one or more of the following commands in privileged EXEC mode:

Command	Purpose
<pre>Router# show spe digital [slot slot/spe]</pre>	Displays history statistics of all digital SPEs.
<pre>Router# show spe digital active [slot slot/spe]</pre>	Displays active digital statistics of a specified SPE, the specified range of SPEs, or all the SPEs.
<pre>Router# show spe digital csr [summary slot slot/spe]</pre>	Displays the digital call success rate statistics for a specific SPE, a range of SPEs, or all the SPEs.

Command	Purpose
Router# show spe digital disconnect-reason [summary <i>slot</i> <i>slot/spe</i>]	Displays the digital disconnect reasons for the specified SPE or range of SPEs. The disconnect reasons are displayed with Class boundaries.
Router# show spe digital summary [<i>slot</i> <i>slot/spe</i>]	Displays digital history statistics of all SPEs, a specified SPE, or the specified range of SPEs for all service types.

SPE Modem Statistics

To view SPE modem statistics for the Cisco AS5400 NextPort DFCs or Cisco AS5800 UPCs, use one or more of the following commands in privileged EXEC mode:

Command	Purpose
<p>Cisco AS5400 series routers</p> <p>Router# show spe modem active {<i>slot</i> <i>slot/spe</i>}</p> <p>Cisco AS5800 series router:</p> <p>Router# show spe modem active {<i>shelf/slot</i> <i>shelf/slot/spe</i>}</p>	Displays the active statistics of a specified SPE, a specified range of SPEs, or all the SPEs serving modem traffic.
<p>Cisco AS5400 series routers</p> <p>Router# show spe modem csr {summary <i>slot</i> <i>slot/spe</i>}</p> <p>Cisco AS5800 series routers</p> <p>Router# show spe modem csr {summary <i>shelf/slot</i> <i>shelf/slot/spe</i>}</p>	Displays the call success rate statistics for a specific SPE, range of SPEs, or all the SPEs.
<p>Cisco AS5400 series routers</p> <p>Router# show spe modem disconnect-reason {summary <i>slot</i> <i>slot/spe</i>}</p> <p>Cisco AS5800 series routers</p> <p>Router# show spe modem disconnect-reason {summary <i>shelf/slot</i> <i>shelf/slot/spe</i>}</p>	Displays the disconnect reasons for the specified SPE or range of SPEs. The disconnect reasons are displayed with Class boundaries.
<p>Cisco AS5400 series routers</p> <p>Router# show spe modem high speed {summary <i>slot</i> <i>slot/spe</i>}</p> <p>Cisco AS5800 series routers</p> <p>Router# show spe modem high speed {summary <i>shelf/slot</i> <i>shelf/slot/spe</i>}</p>	Shows the connect-speeds negotiated within each high speed modulation or codecs for a specific range of SPEs or all the SPEs.
<p>Cisco AS5400 series routers</p> <p>Router# show spe modem low speed {summary <i>slot</i> <i>slot/spe</i>}</p> <p>Cisco AS5800 series routers</p> <p>Router# show spe modem low speed {summary <i>shelf/slot</i> <i>shelf/slot/spe</i>}</p>	Shows the connect-speeds negotiated within each low speed modulation or codecs for a specific range of SPEs or all the SPEs.

Command	Purpose
<p>Cisco AS5400 series routers</p> <pre>Router# show spe modem high standard {summary slot slot/spe}</pre> <p>Cisco AS5800 series routers</p> <pre>Router# show spe modem high standard {summary shelf/slot shelf/slot/spe}</pre>	Displays the total number of connections within each low modulation or codec for a specific range of SPEs.
<p>Cisco AS5400 series routers</p> <pre>Router# show spe modem low standard {summary slot slot/spe}</pre> <p>Cisco AS5800 series routers</p> <pre>Router# show spe modem low standard {summary shelf/slot shelf/slot/spe}</pre>	Displays the total number of connections within each high modulation or codec for a specific range of SPEs.
<p>Cisco AS5400 series routers</p> <pre>Router# show spe modem summary {slot slot/spe}</pre> <p>Cisco AS5800 series routers</p> <pre>Router# show spe modem summary {shelf/slot shelf/slot/spe}</pre>	Displays the history statistics of all SPEs, specified SPE or the specified range of SPEs.

Cisco and the Cisco Logo are trademarks of Cisco Systems, Inc. and/or its affiliates in the U.S. and other countries. A listing of Cisco's trademarks can be found at www.cisco.com/go/trademarks. Third party trademarks mentioned are the property of their respective owners. The use of the word partner does not imply a partnership relationship between Cisco and any other company. (1005R)

Any Internet Protocol (IP) addresses and phone numbers used in this document are not intended to be actual addresses and phone numbers. Any examples, command display output, network topology diagrams, and other figures included in the document are shown for illustrative purposes only. Any use of actual IP addresses or phone numbers in illustrative content is unintentional and coincidental.

© 2007–2009 Cisco Systems, Inc. All rights reserved.



Configuring and Managing External Modems

This chapter describes how to configure externally connected modems. These tasks are presented in the following main sections:

- [External Modems on Low-End Access Servers](#)
- [Automatically Configuring an External Modem](#)
- [Manually Configuring an External Modem](#)
- [Supporting Dial-In Modems](#)
- [Testing the Modem Connection](#)
- [Managing Telnet Sessions](#)
- [Modem Troubleshooting Tips](#)
- [Checking Other Modem Settings](#)

To identify the hardware platform or software image information associated with a feature, use the Feature Navigator on Cisco.com to search for information about the feature or refer to the software release notes for a specific release. For more information, see the “Identifying Supported Platforms” section in the “Using Cisco IOS Software” chapter.

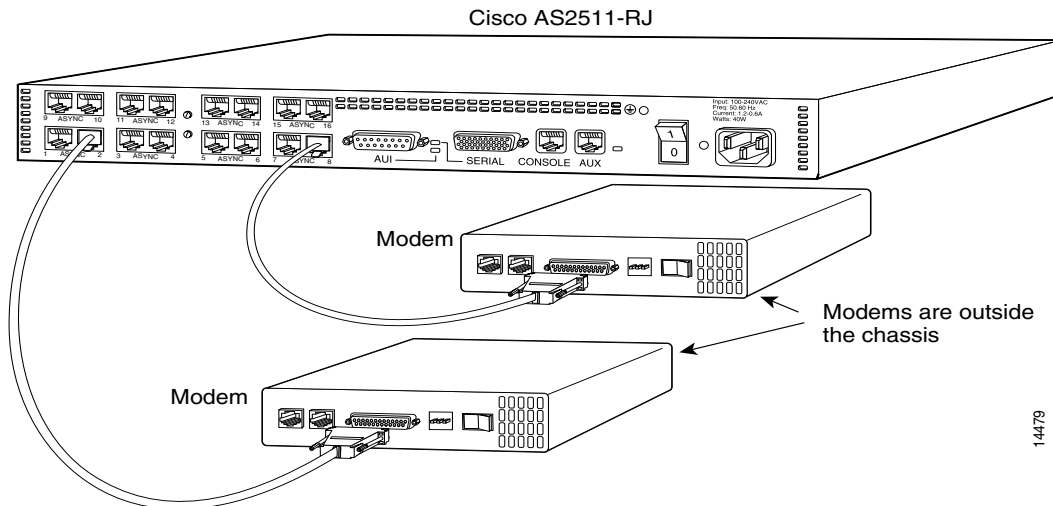
For a complete description of the modem support commands in this chapter, refer to the *Cisco IOS Dial Technologies Command Reference*. To locate documentation of other commands that appear in this chapter, use the command reference master index or search online.

External Modems on Low-End Access Servers

Some of the Cisco lower-end access servers, such as the Cisco AS2511-RJ shown in [Figure 1](#), have cable connections to external modems. The asynchronous interfaces and lines are inside the access server.



Figure 1 Cisco AS2511-RJ Access Server



When you configure modems to function with your access server, you must provide initialization strings and other settings on the modem to tell it how to function with the access server.

This section assumes that you have already physically attached the modem to the access server. If not, refer to the user guide or installation and configuration guide for your access server for information about attaching modems.

Automatically Configuring an External Modem

The Cisco IOS software can issue initialization strings automatically, in a file called a modemcap, for most types of modems externally attached to the access server. A modemcap is a series of parameter settings that are sent to your modem to configure it to interact with the Cisco device in a specified way. The Cisco IOS software defines modemcaps that have been found to properly initialize most modems so that they function properly with Cisco routers and access servers. For Cisco IOS Release 12.2, these modemcaps have the following names:

- default—Generic Hayes interface external modem
- codex_3260—Motorola Codex 3260 external
- usr_courier—U.S. Robotics Courier external
- usr_sportster—U.S. Robotics Sportster external
- hayes_optima—Hayes Optima external¹
- global_village—Global Village Teleport external
- viva—Viva (Rockwell ACF with MNP) external
- telebit_t3000—Telebit T3000 external
- nec_v34—NEC V.34 external
- nec_v110—NEC V.110 TA external
- nec_piafs—NEC PIAFS TA external

¹The hayes_optima modemcap is not recommended for use; instead, use the default modemcap.

Enter these modemcap names with the **modemcap entry** command.

If your modem is not on this list and if you know what modem initialization string you need to use with it, you can create your own modemcap; see the following procedure “[Using the Modem Autoconfigure Type Modemcap Feature](#).” To have the Cisco IOS software determine what type of modem you have, use the **modem autoconfigure discovery** command to configure it, as described in the procedure “[Using the Modem Autoconfigure Discovery Feature](#).”

Using the Modem Autoconfigure Type Modemcap Feature

Step 1 Use the **modemcap edit** command to define your own modemcap entry.

The following example defines modemcap MODEMCAPNAME:

```
Router(config)# modemcap edit MODEMCAPNAME miscellaneous &FS0=1&D3
```

Step 2 Apply the modemcap to the modem lines as shown in the following example:

```
Router# terminal monitor
Router# debug confmodem
Modem Configuration Database debugging is on
Router# configure terminal
Enter configuration commands, one per line. End with CNTL/Z.
Router(config)# line 33 34
Router(config-line)# modem autoconfigure type MODEMCAPNAME
Router(config-line)#
Jan 16 18:12:59.643: TTY34: detection speed (115200) response ---OK---
Jan 16 18:12:59.643: TTY34: Modem command: --AT&FS0=1&D3--
Jan 16 18:12:59.659: TTY33: detection speed (115200) response ---OK---
Jan 16 18:12:59.659: TTY33: Modem command: --AT&FS0=1&D3--
Jan 16 18:13:00.227: TTY34: Modem configuration succeeded
Jan 16 18:13:00.227: TTY34: Detected modem speed 115200
Jan 16 18:13:00.227: TTY34: Done with modem configuration
Jan 16 18:13:00.259: TTY33: Modem configuration succeeded
Jan 16 18:13:00.259: TTY33: Detected modem speed 115200
Jan 16 18:13:00.259: TTY33: Done with modem configuration
```

Using the Modem Autoconfigure Discovery Feature

If you prefer the modem software to use its autoconfigure mechanism to configure the modem, use the **modem autoconfigure discovery** command.

The following example shows how to configure modem autoconfigure discovery mode:

```
Router# terminal monitor
Router# debug confmodem
Modem Configuration Database debugging is on
Router# configure terminal
Enter configuration commands, one per line. End with CNTL/Z.
Router(config)# line 33 34
Router(config-line)# modem autoconfigure discovery
Jan 16 18:16:17.724: TTY33: detection speed (115200) response ---OK---
Jan 16 18:16:17.724: TTY33: Modem type is default
Jan 16 18:16:17.724: TTY33: Modem command: --AT&F&C1&D2S0=1H0--
Jan 16 18:16:17.728: TTY34: detection speed (115200) response ---OK---
Jan 16 18:16:17.728: TTY34: Modem type is default
Jan 16 18:16:17.728: TTY34: Modem command: --AT&F&C1&D2S0=1H0--
```

```

Jan 16 18:16:18.324: TTY33: Modem configuration succeeded
Jan 16 18:16:18.324: TTY33: Detected modem speed 115200
Jan 16 18:16:18.324: TTY33: Done with modem configuration
Jan 16 18:16:18.324: TTY34: Modem configuration succeeded
Jan 16 18:16:18.324: TTY34: Detected modem speed 115200
Jan 16 18:16:18.324: TTY34: Done with modem configuration

```

Manually Configuring an External Modem

If you cannot configure your modem automatically, you must configure it manually. This section describes how to determine and issue the correct initialization string for your modem and how to configure your modem with it.

Modem command sets vary widely. Although most modems use the Hayes command set (prefixing commands with **at**), Hayes-compatible modems do not use identical **at** command sets.

Refer to the documentation that came with your modem to learn how to examine the current and stored configuration of the modem that you are using. Generally, you enter **at** commands such as **&v**, **i4**, or ***o** to view, inspect, or observe the settings.



Timesaver

You must first create a direct Telnet or connection session to the modem before you can send an initialization string. You can use **AT&F** as a basic modem initialization string in most cases. To establish a direct Telnet session to an external modem, determine the IP address of your LAN (Ethernet) interface, and then enter a Telnet command to port 2000 + *n* on the access server, where *n* is the line number to which the modem is connected. See the sections “[Testing the Modem Connection](#)” and “[Managing Telnet Sessions](#)” for more information about making Telnet connections.

A sample modem initialization string for a US Robotics Courier modem is as follows:

```
&b1&h1&r2&c1&d3&m4&k1s0=1
```

Modem initialization strings enable the following functions:

- Locks the speed of the modem to the speed of the serial port on the access server
- Sets hardware flow control (RTS/CTS or request to send/clear to send)
- Ensures correct data carrier detect (DCD) operation
- Ensures proper data terminal ready (DTR) interpretation
- Answers calls on the first ring



Note

Make sure to turn off automatic baud rate detection because the modem speeds must be set to a fixed value.

The port speed must not change when a session is negotiated with a remote modem. If the speed of the port on the access server is changed, you must establish a direct Telnet session to the modem and send an **at** command so that the modem can learn the new speed.

Modems differ in the method that they use to lock the EIA/TIA-232 (serial) port speed. In the modem documentation, vendors use terms such as port-rate adjust, speed conversion, or buffered mode. Enabling error correction often puts the modem in the buffered mode. Refer to your modem documentation to learn how your modem locks speed (check the settings **&b**, **\j**, **&q**, **\n**, or s-register settings).

RTS and CTS signals must be used between the modem and the access server to control the flow of data. Incorrectly configuring flow control for software or setting no flow control can result in hung sessions and loss of data. Modems differ in the method that they use to enable hardware flow control. Refer to your modem documentation to learn how to enable hardware flow control (check the settings **&e**, **&k**, **&h**, **&r**, or s-register).

The modem must use the DCD wire to indicate to the access server when a session has been negotiated and is established with a remote modem. Most modems use the setting **&c1**. Refer to your modem documentation for the DCD settings used with your modem.

The modem must interpret a toggle of the DTR signal as a command to drop any active call and return to the stored settings. Most modems use the settings **&d2** or **&d3**. Refer to your modem documentation for the DTR settings used with your modem.

If a modem is used to service incoming calls, it must be configured to answer a call after a specific number of rings. Most modems use the setting **s0=1** to answer the call after one ring. Refer to your modem documentation for the settings used with your modem.

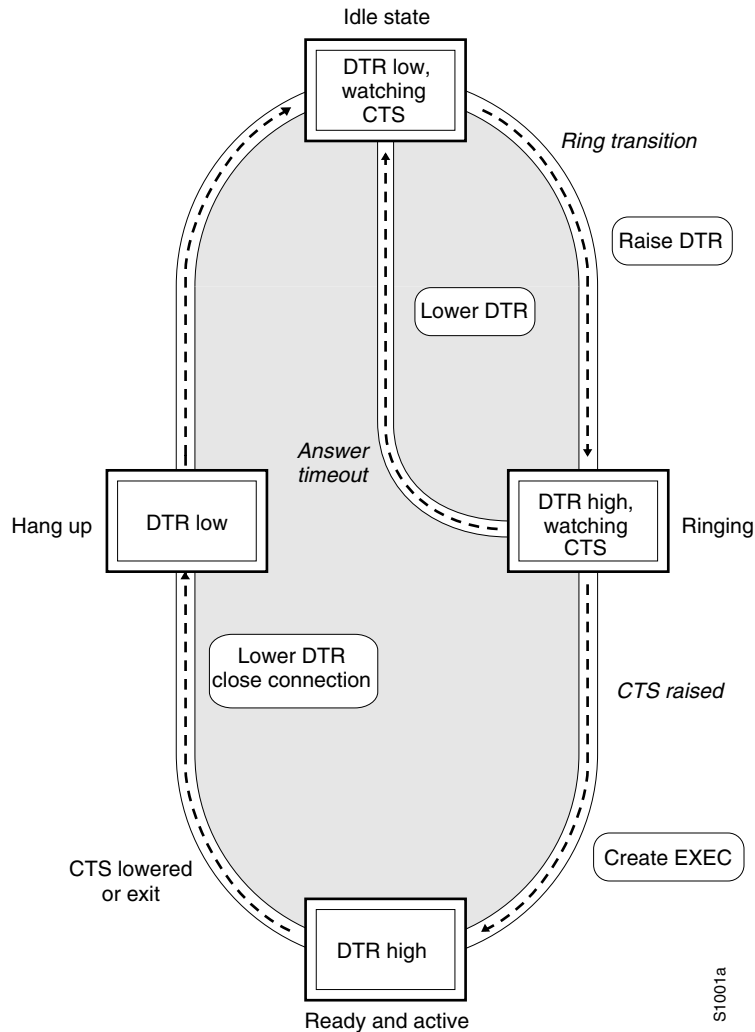
Supporting Dial-In Modems

The Cisco IOS software supports dial-in modems that use DTR to control the off-hook status of the telephone line. This feature is supported primarily on old-style modems, especially those in Europe. To configure the line to support this feature, use the following command in line configuration mode:

Command	Purpose
Router(config-line)# modem callin	Configures a line for a dial-in modem.

[Figure 2](#) illustrates the **modem callin** command. When a modem dialing line is idle, it has its DTR signal at a low state and waits for a transition to occur on the data set ready (DSR) input. This transition causes the line to raise the DTR signal and start watching the CTS signal from the modem. After the modem raises CTS, the Cisco IOS software creates an EXEC session on the line. If the timeout interval (set with the **modem answer-timeout** command) passes before the modem raises the CTS signal, the line lowers the DTR signal and returns to the idle state.

Figure 2 EXEC Creation on a Line Configured for Modem Dial-In



Note

The **modem callin** and **modem cts-required** line configuration commands are useful for SLIP operation. These commands ensure that when the line is hung up or the CTS signal drops, the line reverts from Serial Line Internet Protocol (SLIP) mode to normal interactive mode. These commands do not work if you put the line in network mode permanently.

Although you can use the **modem callin** line configuration command with newer modems, the **modem dialin** line configuration command described in this section is more appropriate. The **modem dialin** command frees up CTS input for hardware flow control. Modern modems do not require the assertion of DTR to answer a phone line (that is, to take the line off-hook).

Testing the Modem Connection

To test the connection, send the modem the AT command to request its attention. The modem should respond with “OK.” For example:

```
at
```

OK

If the modem does not reply to the **at** command, perform the following steps:

Step 1 Enter the **show users EXEC** command and scan the display output. The output should not indicate that the line is in use. Also verify that the line is configured for **modem inout**.

Step 2 Enter the **show line EXEC** command. The output should contain the following two lines:

```
Modem state: Idle
Modem hardware state: CTS noDSR DTR RTS
```

If the output displays “no CTS” for the modem hardware state, the modem is not connected, is not powered up, is waiting for data, or might not be configured for hardware flow control.

Step 3 Verify the line speed and modem transmission rate. Make sure that the line speed on the access server matches the transmission rate, as shown in [Table 1](#).

Table 1 Matching Line Speed with Transmission Rate

Modem Transmission Rate (in bits per second)	Line Speed on the Access Server (in bits per second)
9600	38400
14400	57600
28800	115200

To verify the line speed, use the **show run EXEC** command. The line configuration fragment appears at the tail end of the output.

The following example shows that lines 7 through 9 are transmitting at 115200 bits per second (bps). Sixteen 28800-kbps modems are connected to a Cisco AS2511-RJ access server via a modem cable.

```
Router# show run

Building configuration...

Current configuration:
. . .
!
line 1 16
  login local
  modem InOut
  speed 115200
  transport input all
  flowcontrol hardware
  script callback callback
  autoselect ppp
  autoselect during-login
```

Step 4 The speeds of the modem and the access server are likely to be different. If so, switch off the modem, and then switch it back on. This action should change the speed of the modem to match the speed of the access server.

- Step 5** Check your cabling and the modem configuration (echo or result codes might be off). Enter the appropriate **at** modem command to view the modem configuration, or use the **at&f** command to return to factory defaults. Refer to your modem documentation to learn the appropriate **at** command to view your modem configuration.

Managing Telnet Sessions

You communicate with an external modem by establishing a direct Telnet session from the asynchronous line on the access server, which is connected to the modem. This process is also referred to as *reverse Telnet*. Performing a reverse Telnet means that you are initiating a Telnet session out the asynchronous line, instead of accepting a connection into the line (called a *forward* connection).



Note

Before attempting to allow inbound connections, make sure that you close all open connections to the modems attached to the access server. If you have a modem port in use, the modem will not accept a call properly.

To establish a direct Telnet session to an external modem, determine the IP address of your LAN (Ethernet) interface, and then enter a Telnet command to port 2000 + *n* on the access server, where *n* is the line number to which the modem is connected. For example, to connect to the modem attached to line 1, enter the following command from an EXEC session on the access server:

```
Router# telnet 172.16.1.10 2001
Trying 172.16.1.10, 2001 ... Open
```

This example enables you to communicate with the modem on line 1 using the AT (attention) command set defined by the modem vendor.



Timesaver

Use the **ip host** configuration command to simplify direct Telnet sessions with modems. The **ip host** command maps an IP address of a port to a device name. For example, the **modem1 2001 172.16.1.10** command enables you to enter **modem1** to initiate a connection with the modem, instead of repeatedly entering **telnet 172.16.1.10 2001** each time you want to communicate with the modem.

Suspending Telnet Sessions:

When you are connected to an external modem, the direct Telnet session must be terminated before the line can accept incoming calls. If you do not terminate the session, it will be indicated in the output of the **show users** command and will return a modem state of ready if the line is still in use. If the line is no longer in use, the output of the **show line value** command will return a state of idle. Terminating the Telnet session requires first suspending it, then disconnecting it.

To suspend a Telnet session, perform the following steps:

- Step 1** Enter Ctrl-Shift-6 x to suspend the Telnet session:

```
- suspend keystroke -
Router#
```


**Note**

Ensure that you can reliably issue the escape sequence to suspend a Telnet session. Some terminal emulation packages have difficulty sending the Ctrl-Shift-6 x sequence. Refer to your terminal emulation documentation for more information about escape sequences.

Step 2 Enter the **where** EXEC command to check the connection numbers of open sessions:

```
Router# where
Conn Host          Address          Byte  Idle Conn Name
*  1 172.16.1.10    172.16.1.10     0     0 172.16.1.10
  2 172.16.1.11    172.16.1.11     0    12 modem2
```

Step 3 When you have suspended a session with one modem, you can connect to another modem and suspend it:

```
Router# telnet modem2
Trying modem2 (172.16.1.11, 2002) ... Open

- suspend keystroke -
Router#
```

Step 4 To disconnect (completely close) a Telnet session, enter the **disconnect** EXEC command:

```
Router# disconnect line 1
Closing connection to 172.16.1.10 [confirm] y
Router# disconnect line 2
Closing connection to 172.16.1.11 [confirm] y
Router#
```

Modem Troubleshooting Tips

Table 2 contains troubleshooting tips on modem access and control.

Table 2 **Modem Troubleshooting Tips**

Problem	Likely Cause
Connection refused.	<p>Someone already has a connection to that port.</p> <p>or</p> <p>an EXEC is running on that port.</p> <p>or</p> <p>The modem failed to lower the carrier detect (CD) signal after a call disconnected, resulting in an EXEC that remained active after disconnect.</p> <p>To force the line back into an idle state, clear the line from the console and try again. If it still fails, ensure that you have set modem inout command for that line. If you don't have modem control, either turn off EXEC on the line (by using the exec-timeout line configuration command) before making a reverse connection or configure the modem using an external terminal. As a last resort, disconnect the modem, clear the line, make the Telnet connection, and then attach the modem. The prevents a misconfigured modem from denying you line access.</p>

Table 2 **Modem Troubleshooting Tips (continued)**

Connection appears to hang.	Try entering “^U” (clear line), “^Q” (XON), and press Return a few times to try to establish terminal control.
EXEC does not come up; autoselect is on.	Press Return to enter EXEC.
Modem does not hang up after entering quit .	The modem is not receiving DTR information, or you have not set up modem control on the router.
Interrupts another user session when you dial in.	The modem is not dropping CD on disconnect, or you have not set up modem control on the router.
Connection hangs after entering “+++” on the dialing modem, followed by an ATO.	The answering modem saw and interpreted the “+++” when it was echoed to you. This is a bug in the answering modem, common to many modems. There may be a switch to work around this problem; check the modem’s documentation.
Losing data.	You may have Hardware Flow Control only on for either the router’s line (DTE) or the modem (DCE). Hardware Flow Control should be on for both or off for both, but not for only one.
Using MDCE.	Turn MDCE into an MMOD by moving pin 6 to pin 8 because most modems use CD and not DSR to indicate the presence of carrier. You can also program some modems to provide carrier info via DSR.

Checking Other Modem Settings

This section defines other settings that might be needed or desirable, depending on your modem.

Error correction can be negotiated between two modems to ensure a reliable data link. Error correction standards include Link Access Procedure for Modems (LAPM) and MNP4. V.42 error correction allows either LAPM or MNP4 error correction to be negotiated. Modems differ in the way they enable error correction. Refer to your modem documentation for the error correction methods used with your modem.

Data compression can be negotiated between two modems to allow for greater data throughput. Data compression standards include V.42*bis* and MNP5. Modems differ in the way they enable data compression. Refer to your modem documentation for the data compression settings used with your modem.

Cisco and the Cisco Logo are trademarks of Cisco Systems, Inc. and/or its affiliates in the U.S. and other countries. A listing of Cisco’s trademarks can be found at www.cisco.com/go/trademarks. Third party trademarks mentioned are the property of their respective owners. The use of the word partner does not imply a partnership relationship between Cisco and any other company. (1005R)

Any Internet Protocol (IP) addresses used in this document are not intended to be actual addresses. Any examples, command display output, and figures included in the document are shown for illustrative purposes only. Any use of actual IP addresses in illustrative content is unintentional and coincidental.

© 2001-2008 Cisco Systems, Inc. All rights reserved.



Modem Signal and Line States

First Published: May 8, 2001

Last Updated: May 14, 2009

This chapter contains information on how to configure automatic dialing for modems and provides illustrations describing modem signal and line states.

To identify the hardware platform or software image information associated with a feature, use the Feature Navigator on Cisco.com to search for information about the feature or refer to the software release notes for a specific release. For more information, see the “Identifying Supported Platforms” section in the “Using Cisco IOS Software” chapter.

For a complete description of the modem support commands in this chapter, refer to the *Cisco IOS Modem Command Reference*. To locate documentation of other commands that appear in this chapter, use the command reference master index or search online.

Finding Feature Information

Your software release may not support all the features documented in this module. For the latest feature information and caveats, see the release notes for your platform and software release. To find information about the features documented in this module, and to see a list of the releases in which each feature is supported, see the “[Feature Information for Modem Signal and Line State](#)” section on page 390.

Use Cisco Feature Navigator to find information about platform support and Cisco IOS and Catalyst OS software image support. To access Cisco Feature Navigator, go to <http://www.cisco.com/go/cfn>. An account on Cisco.com is not required.

Contents

- [Information About Signal and Line State Diagrams](#), page 376
- [How to Configure Modem Signal and Line States](#), page 381
- [Additional References](#), page 388
- [Feature Information for Modem Signal and Line State](#), page 390



Americas Headquarters:

Cisco Systems, Inc., 170 West Tasman Drive, San Jose, CA 95134-1706 USA

Information About Signal and Line State Diagrams

Signal and line state diagrams accompany some of the tasks in the following sections to illustrate how the modem control works. The following diagrams are described here:

- EXEC and Daemon Creation on a Line with No Modem Control, page 376
- EXEC Creation on a Line Configured for a High-Speed Modem, page 377
- EXEC and Daemon Creation on a Line for Incoming and Outgoing Calls, page 378
- EXEC and Daemon Creation on a Line Configured for Continuous CTS, page 379
- Daemon Creation on a Line Configured for Modem Dial-Out, page 380

EXEC and Daemon Creation on a Line with No Modem Control

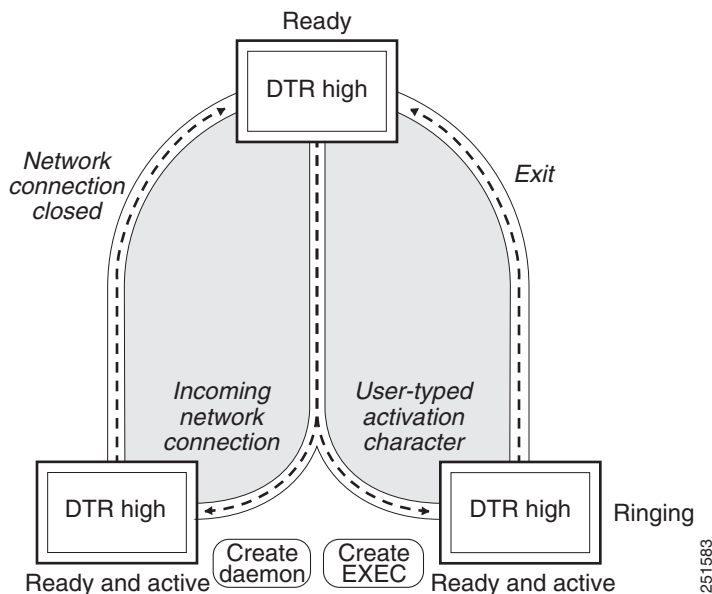
The diagrams show two processes:

- The “create daemon” process creates a tty daemon that handles the incoming network connection.
- The “create EXEC” process creates the process that interprets user commands. (See [Figure 1](#) through [Figure 5](#).)

In the diagrams, the current signal state and the signal that the line is watching are listed inside each box. The state of the line (as displayed by the `show line EXEC` command) is listed next to the box. Events that change that state appear in italics along the event path, and actions that the software performs are described within ovals.

[Figure 1](#) illustrates line states when no modem control is set. The DTR output is always high, and CTS and RING are completely ignored. The Cisco IOS software starts an EXEC session when the user types the activation character. Incoming TCP connections occur instantly if the line is not in use and can be closed only by the remote host.

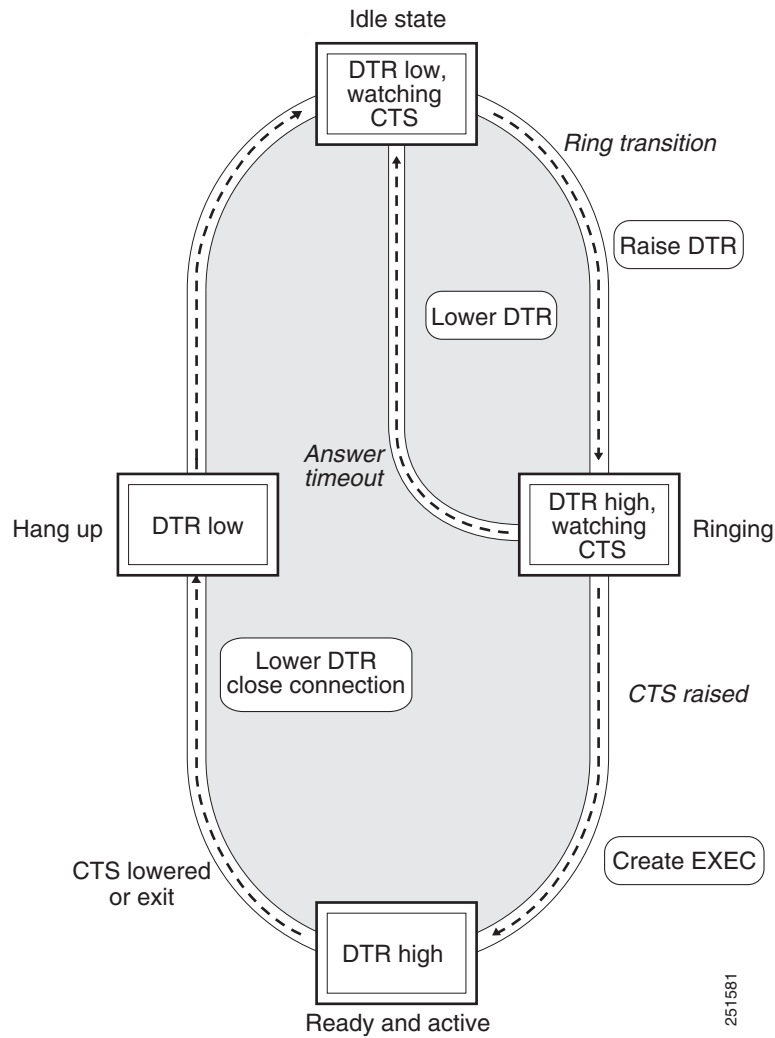
Figure 1 EXEC and Daemon Creation on a Line with No Modem Control



EXEC Creation on a Line Configured for a High-Speed Modem

Figure 2 illustrates the **modem dialin** process with a high-speed dialup modem. When the Cisco IOS software detects a signal on the RING input of an idle line, it starts an EXEC or autobaud process on that line. If the RING signal disappears on an active line, the Cisco IOS software closes any open network connections and terminates the EXEC facility. If the user exits the EXEC or the software terminates because of no user input, the line makes the modem hang up by lowering the DTR signal for 5 seconds. After 5 seconds, the modem is ready to accept another call.

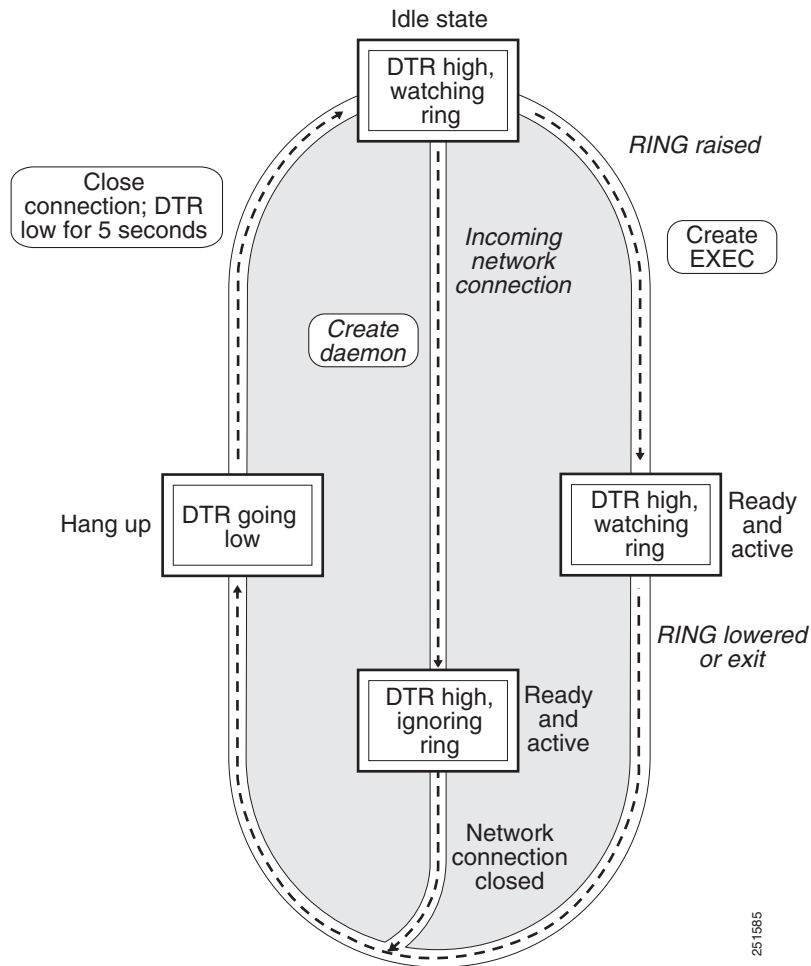
Figure 2 EXEC Creation on a Line Configured for a High-Speed Modem



EXEC and Daemon Creation on a Line for Incoming and Outgoing Calls

Figure 3 illustrates the **modem inout** command. If the line is activated by raising the data set ready (DSR) signal, it functions exactly as a line configured with the **modem dialin** line configuration command described in the section “Automatically Answering a Modem”. If the line is activated by an incoming TCP connection, the line functions similarly to lines not used with modems.

Figure 3 EXEC and Daemon Creation on a Line for Incoming and Outgoing Calls



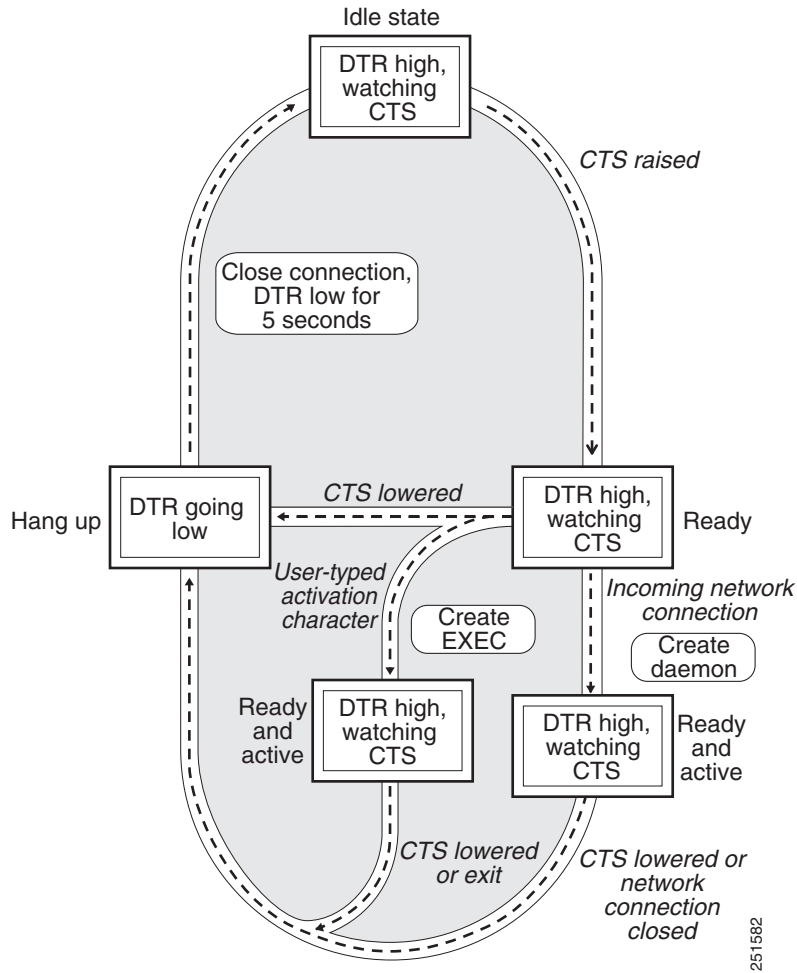
Note

If your system incorporates dial-out modems, consider using access lists to prevent unauthorized use.

EXEC and Daemon Creation on a Line Configured for Continuous CTS

Figure 4 illustrates the **modem cts-required** command operating in the context of a continuous CTS signal. This form of modem control requires that the CTS signal be high for the entire session. If CTS is not high, the user input is ignored and incoming connections are refused (or sent to the next line in a rotary group).

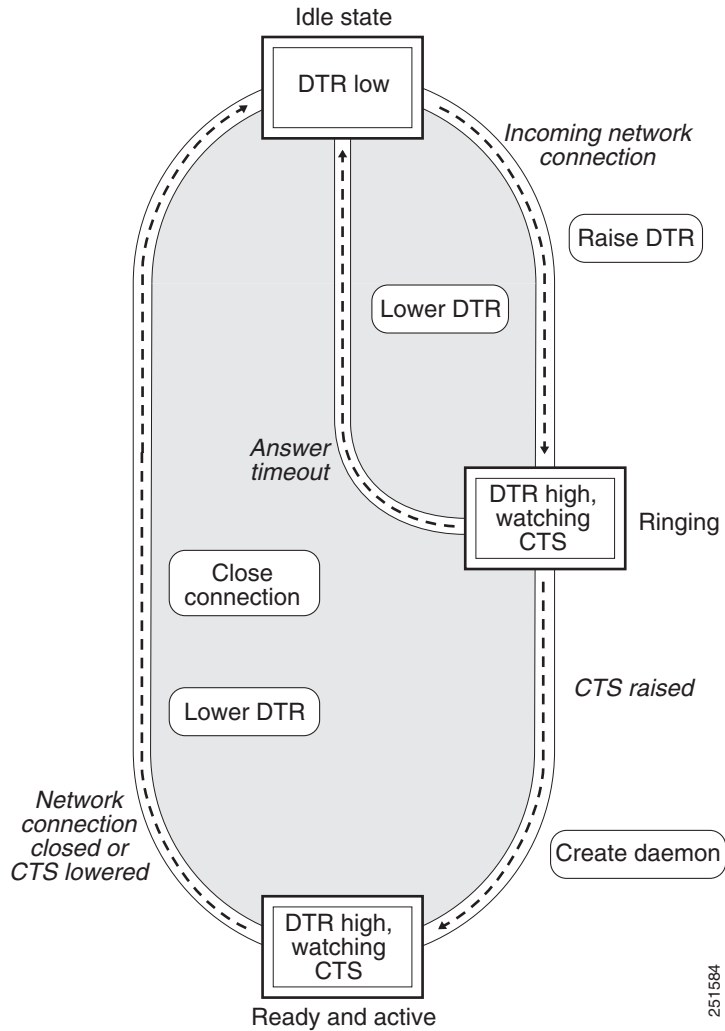
Figure 4 EXEC and Daemon Creation on a Line Configured for Continuous CTS



Daemon Creation on a Line Configured for Modem Dial-Out

Figure 5 illustrates the **modem callout** process. When the Cisco IOS software receives an incoming connection, it raises the DTR signal and waits to see if the CTS signal is raised to indicate that the host has noticed the router DTR signal. If the host does not respond within the interval set by the **modem answer-timeout** line configuration command, the software lowers the DTR signal and drops the connection.

Figure 5 Daemon Creation on a Line Configured for Modem Dial-Out



251584

How to Configure Modem Signal and Line States

To configure modem signal and line states, complete the tasks in the following sections:

- [Supporting EXEC Restarts Triggered Via the Clear to Send \(CTS\) Hardware Line State, page 381](#)
- [Automatically Answering a Modem, page 383](#)
- [Supporting Dial-In and Dial-Out Connections, page 384](#)
- [Configuring a Line Timeout Interval, page 384](#)
- [Closing Modem Connections, page 385](#)
- [Configuring a Line to Disconnect Automatically, page 386](#)
- [Supporting Reverse Modem Connections and Preventing Incoming Calls, page 387](#)

Supporting EXEC Restarts Triggered Via the Clear to Send (CTS) Hardware Line State

The **modem cts-alarm** command enables the router to react to a CTS drop from the remote device, and to clear any existing EXEC session.

The router reacts to a CTS drop from a connected asynchronous device. When a CTS drop is detected, the existing EXEC session is cleared and there is no need to wait for a timeout. This method improves the speed EXEC recovery by using hardware signals.



Note

Use this feature with an asynchronous serial device that relies only on CTS for flow control. The CTS performs a role similar to that of on-hook and off-hook functionality.

To enable the router to react to a Clear to Send (CTS) drop from a remote device, and to clear an existing EXEC session, use the **modem cts-alarm** command in line configuration mode.

SUMMARY STEPS

1. **enable**
2. **configure terminal**
3. **line *line-number***
4. **modem cts-alarm**

DETAILED STEPS

	Command or Action	Purpose
Step 1	<code>enable</code> Example: Router> <code>enable</code>	Enables privileged EXEC mode. <ul style="list-style-type: none"> • Enter your password if prompted.
Step 2	<code>configure terminal</code> Example: Router# <code>configure terminal</code>	Enters global configuration mode.
Step 3	Router(config)# <code>line line-number</code>	Enters line configuration mode for the line number specified.
Step 4	Router(config-line)# <code>modem cts-alarm</code>	Configures the router to react on a CTS drop from the remote device, and to clear an existing EXEC session.

Configuring Automatic Dialing

The `modem dtr-active` command enables the router to initiate automatic dialin.

With the dialup capability, you can set a modem to dial the phone number of a remote router automatically. This feature offers cost savings because phone line connections are made only when they are needed—you pay for using the phone line only when there is data to be received or sent.

Using the `modem dtr-active` command causes a line to raise DTR signal only when there is an outgoing connection (such as reverse Telnet, NetWare Asynchronous Support Interface (NASI), or DDR), rather than leave DTR raised all the time. When raised, DTR potentially tells the modem that the router is ready to accept a call.

SUMMARY STEPS

1. `enable`
2. `configure terminal`
3. `line line-number`
4. `modem dtr-active`

DETAILED STEPS

	Command or Action	Purpose
Step 1	enable Example: Router> enable	Enables privileged EXEC mode. <ul style="list-style-type: none"> Enter your password if prompted.
Step 2	configure terminal Example: Router# configure terminal	Enters global configuration mode.
Step 3	Router(config)# line <i>line-number</i>	Enters line configuration mode for the line number specified.
Step 4	Router(config-line)# modem dtr-active	Configures a line to initiate automatic dialing.

Automatically Answering a Modem

The **modem dialin** command allows the router to configure a line to answer a modem automatically.

You also can configure the modem to answer the telephone on its own (as long as DTR is high), drop connections when DTR is low, and use its Carrier Detect (CD) signal to accurately reflect the presence of carrier. (Configuring the modem is a modem-dependent process.)

First, wire the modem CD signal (generally pin-8) to the router RING input (pin-22), then use the **modem dialin** command in line configuration mode.

SUMMARY STEPS

1. **enable**
2. **configure terminal**
3. **line** *line-number*
4. **modem dialin**

DETAILED STEPS

	Command or Action	Purpose
Step 1	enable Example: Router> enable	Enables privileged EXEC mode. <ul style="list-style-type: none"> Enter your password if prompted.
Step 2	configure terminal Example: Router# configure terminal	Enters global configuration mode.
Step 3	Router(config)# line <i>line-number</i>	Enters line configuration mode for the line number specified.
Step 4	Router(config-line)# modem dialin	Configures a line to automatically answer a modem.

You can turn on modem hardware flow control independently to respond to the status of router CTS input. Wire CTS to whatever signal the modem uses for hardware flow control. If the modem expects to control hardware flow in both directions, you might also need to wire modem flow control input to some other signal that the router always has high, such as the DTR signal.

Supporting Dial-In and Dial-Out Connections

The **modem inout** command enables the router to configure a line for both incoming and outgoing calls.

SUMMARY STEPS

1. **enable**
2. **configure terminal**
3. **line** *line-number*
4. **modem inout**

DETAILED STEPS

	Command or Action	Purpose
Step 1	enable Example: Router> enable	Enables privileged EXEC mode. <ul style="list-style-type: none">• Enter your password if prompted.
Step 2	configure terminal Example: Router# configure terminal	Enters global configuration mode.
Step 3	Router(config)# line <i>line-number</i>	Enters line configuration mode for the line number specified.
Step 4	Router(config-line)# modem inout	Configures a line for both incoming and outgoing calls.

Configuring a Line Timeout Interval

The **modem answer-timeout** command enables the router to change the interval that the Cisco IOS software waits for the CTS signal after raising the DTR signal in response to the DSR (the default is 15 seconds).

SUMMARY STEPS

1. **enable**
2. **configure terminal**
3. **line** *line-number*
4. **modem answer-timeout**

DETAILED STEPS

	Command or Action	Purpose
Step 1	enable Example: Router> enable	Enables privileged EXEC mode. <ul style="list-style-type: none">• Enter your password if prompted.
Step 2	configure terminal Example: Router# configure terminal	Enters global configuration mode.
Step 3	Router(config)# line <i>line-number</i>	Enters line configuration mode for the line number specified.
Step 4	Router(config-line)# modem answer-timeout	Configures a line for both incoming and outgoing calls.

**Note**

The DSR signal is called RING on older ASM-style chassis.

Closing Modem Connections

**Note**

The **modem cts-required** command was replaced by the **modem printer** command in Cisco IOS Release 12.2.

The **modem cts-required** enables the router to configure a line to close connections from a user's terminal when the terminal is turned off and to prevent inbound connections to devices that are out of service.

SUMMARY STEPS

1. **enable**
2. **configure terminal**
3. **line** *line-number*
4. **modem answer-timeout**

DETAILED STEPS

	Command or Action	Purpose
Step 1	enable Example: Router> enable	Enables privileged EXEC mode. <ul style="list-style-type: none"> • Enter your password if prompted.
Step 2	configure terminal Example: Router# configure terminal	Enters global configuration mode.
Step 3	Router(config)# line <i>line-number</i>	Enters line configuration mode for the line number specified.
Step 4	Router(config-line)# modem cts-required	Configures a line to close connections.

Configuring a Line to Disconnect Automatically

The **autohangup** command enables the router to configure automatic line disconnect.

The **autohangup** command causes the EXEC facility to issue the **exit** command when the last connection closes. This feature is useful for UNIX-to-UNIX copy program (UUCP) applications because UUCP scripts cannot issue a command to hang up the telephone. This feature is not used often.

SUMMARY STEPS

1. **enable**
2. **configure terminal**
3. **line** *line-number*
4. **autohangup**

DETAILED STEPS

	Command or Action	Purpose
Step 1	enable Example: Router> enable	Enables privileged EXEC mode. <ul style="list-style-type: none"> Enter your password if prompted.
Step 2	configure terminal Example: Router# configure terminal	Enters global configuration mode.
Step 3	Router(config)# line <i>line-number</i>	Enters line configuration mode for the line number specified.
Step 4	Router(config-line)# autohangup	Configures automatic line disconnect.

Supporting Reverse Modem Connections and Preventing Incoming Calls

In addition to initiating connections, the Cisco IOS software can receive incoming connections. This capability allows you to attach serial and parallel printers, modems, and other shared peripherals to the router or access server and drive them remotely from other modem-connected systems. The Cisco IOS software supports reverse TCP, XRemote, and local-area transport (LAT) connections.

The specific TCP port or socket to which you attach the device determines the type of service that the Cisco IOS software provides on a line. When you attach the serial lines of a computer system or a data terminal switch to the serial lines of the access server, the access server can act as a network front-end device for a host that does not support the TCP/IP protocols. This arrangement is sometimes called *front-ending* or *reverse connection mode*.

The Cisco IOS software supports ports connected to computers that are connected to modems. The **modem callout** command enables the router to configure the Cisco IOS software to function somewhat like a modem, and prevents the incoming calls.

SUMMARY STEPS

1. **enable**
2. **configure terminal**
3. **line** *line-number*
4. **autohangup**

DETAILED STEPS

	Command or Action	Purpose
Step 1	<code>enable</code> Example: Router> enable	Enables privileged EXEC mode. <ul style="list-style-type: none"> Enter your password if prompted.
Step 2	<code>configure terminal</code> Example: Router# configure terminal	Enters global configuration mode.
Step 3	Router(config)# line <i>line-number</i>	Enters line configuration mode for the line number specified.
Step 4	Router(config-line)# modem callout	Configures a line for reverse connections and prevents incoming calls.

Additional References

The following sections provide references related to the Modem Signal and Line State feature.

Related Documents

Related Topic	Document Title
Modem Configuration Commands	Cisco IOS Dial Technologies Command Reference
Modem Configuration and Management	Cisco IOS Dial Technologies Configuration Guide

Standards

Standard	Title
None	

MIBs

MIB	MIBs Link
•	To locate and download MIBs for selected platforms, Cisco IOS releases, and feature sets, use Cisco MIB Locator found at the following URL: http://www.cisco.com/go/mibs

RFCs

RFC	Title
None	

Technical Assistance

Description	Link
<p>The Cisco Support website provides extensive online resources, including documentation and tools for troubleshooting and resolving technical issues with Cisco products and technologies.</p> <p>To receive security and technical information about your products, you can subscribe to various services, such as the Product Alert Tool (accessed from Field Notices), the Cisco Technical Services Newsletter, and Really Simple Syndication (RSS) Feeds.</p> <p>Access to most tools on the Cisco Support website requires a Cisco.com user ID and password.</p>	<p>http://www.cisco.com/techsupport</p>

Command Reference

The following commands are introduced or modified in the feature or features documented in this module. For information about these commands, see the *Cisco IOS Dial Command Reference* at http://cisco.com/en/US/docs/ios/dial/command/reference/dia_book.html. For information about all Cisco IOS commands, use the Command Lookup Tool at <http://tools.cisco.com/Support/CLILookup> or the *Cisco IOS Master Command List, All Releases*, at http://www.cisco.com/en/US/docs/ios/mcl/allreleasemcl/all_book.html.

- **modem cts-alarm**
- **modem dtr-active**
- **modem dialin**
- **modem inout**
- **modem answer-timeout**
- **modem cts-required**
- **modem callout**

Feature Information for Modem Signal and Line State

Table 1 lists the release history for this feature.

Not all commands may be available in your Cisco IOS software release. For release information about a specific command, see the command reference documentation.

Use Cisco Feature Navigator to find information about platform support and software image support. Cisco Feature Navigator enables you to determine which Cisco IOS and Catalyst OS software images support a specific software release, feature set, or platform. To access Cisco Feature Navigator, go to <http://www.cisco.com/go/cfn>. An account on Cisco.com is not required.


Note

Table 1 lists only the Cisco IOS software release that introduced support for a given feature in a given Cisco IOS software release train. Unless noted otherwise, subsequent releases of that Cisco IOS software release train also support that feature.

Table 1 Feature Information for Modem Signal and Line State

Feature Name	Releases	Feature Information
Automatic Modem Configuration	11.2(1) 12.0(2)T 12.0(7)T 12.2(11)YT 12.2(11)YV 12.2(13)T 12.2(4)T 12.2(8)T 12.5 12.4T 12.2SX	Automatic Modem Configuration can issue initialization strings automatically for most types of modems externally attached to the access server.

Cisco and the Cisco Logo are trademarks of Cisco Systems, Inc. and/or its affiliates in the U.S. and other countries. A listing of Cisco's trademarks can be found at www.cisco.com/go/trademarks. Third party trademarks mentioned are the property of their respective owners. The use of the word partner does not imply a partnership relationship between Cisco and any other company. (1005R)

© 2001-2009 Cisco Systems, Inc. All rights reserved.



Creating and Using Modem Chat Scripts

This chapter describes how to create and use modem chat scripts. These tasks are presented in the following main sections:

- [Chat Script Overview](#)
- [How To Configure Chat Scripts](#)
- [Using Chat Scripts](#)

To identify the hardware platform or software image information associated with a feature, use the Feature Navigator on Cisco.com to search for information about the feature or refer to the software release notes for a specific release. For more information, see the “Identifying Supported Platforms” section in the “Using Cisco IOS Software” chapter.

For a complete description of the modem support commands in this chapter, refer to the *Cisco IOS Dial Technologies Command Reference* publication. To locate documentation of other commands that appear in this chapter, use the command reference master index or search online.

Chat Script Overview

Chat scripts are strings of text used to send commands for modem dialing, logging in to remote systems, and initializing asynchronous devices connected to an asynchronous line.



Note

On a router, chat scripts can be configured only on the auxiliary port.

A chat script must be configured to dial out on asynchronous lines. You also can configure chat scripts so that they can be executed automatically for other specific events on a line, or so that they are executed manually.

Each chat script is defined for a different event. These events can include the following:

- Line activation
- Incoming connection initiation
- Asynchronous dial-on-demand routing (DDR)
- Line resets



Americas Headquarters:
Cisco Systems, Inc., 170 West Tasman Drive, San Jose, CA 95134-1706 USA

- Startup

**Note**

Outbound chat scripts are not supported on lines where modem control is set for inbound activity only using the **modem dialin** command.

How To Configure Chat Scripts

The following tasks must be performed before a chat script can be used:

- Define the chat script in global configuration mode using the **chat-script** command.
- Configure the line so that a chat script is activated when a specific event occurs (using the **script** line configuration command), or start a chat script manually (using the **start-chat** privileged EXEC command).

To configure a chat script, perform the tasks in the following sections:

- [Understanding Chat Script Naming Conventions](#) (Required)
- [Creating a Chat Script](#) (Required)
- [Configuring the Line to Activate Chat Scripts](#) (Required)
- [Manually Testing a Chat Script on an Asynchronous Line](#) (Optional)

See the section “[Using Chat Scripts](#)” later in this chapter for examples of how to use chat scripts.

Understanding Chat Script Naming Conventions

When you create a script name, include the modem vendor, type, and modulation, separated by hyphens, as follows:

vendor-type-modulation

For example, if you have a Telebit t3000 modem that uses V.32bis modulation, your script name would be:

telebit-t3000-v32bis

**Note**

Adhering to the recommended naming convention allows you to specify a range of chat scripts by using partial names in UNIX-style regular expressions. The regular expressions are used to match patterns and select chat scripts to use. This method is particularly useful for dialer rotary groups on an interface that dials multiple destinations. Regular expressions are described in the “[Regular Expressions](#)” appendix in the *Cisco IOS Terminal Services Configuration Guide*.

Creating a Chat Script

We recommend that one chat script (a “modem” chat script) be written for placing a call and that another chat script (a “system” or “login” chat script) be written to log in to remote systems, where required.

To define a chat script, use the following command in global configuration mode:

Command	Purpose
Router(config)# chat-script <i>script-name</i> <i>expect</i> <i>send...</i>	Creates a script that will place a call on a modem, log in to a remote system, or initialize an asynchronous device on a line.

The Cisco IOS software waits for the string from the modem (defined by the *expect* portion of the script) and uses it to determine what to send back to the modem (defined by the *send* portion of the script).

Chat String Escape Key Sequences

Chat script send strings can include the special escape sequences listed in [Table 1](#).

Table 1 Chat Script Send String Escape Sequences

Escape Sequence	Description
\	Sends the ASCII character with its octal value.
\\	Sends a backslash (\) character.
\"	Sends a double-quote (") character (does not work <i>within</i> double quotes).
\c	Suppresses a new line at the end of the send string.
\d	Delays for 2 seconds.
\K	Inserts a BREAK.
\n	Sends a newline or linefeed character.
\N	Sends a null character.
\p	Pauses for 0.25 second.
\q	Reserved, not yet used.
\r	Sends a return.
\s	Sends a space character.
\t	Sends a tab character.
\T	Replaced by phone number.
" "	Expects a null string.
BREAK	Causes a BREAK. This sequence is sometimes simulated with line speed changes and null characters. May not work on all systems.
EOT	Sends an end-of-transmission character.

Adding a Return Key Sequence

After the connection is established and you press the Return key, you must often press Return a second time before the prompt appears. To create a chat script that enters this additional Return key for you, include the following string with the Return key escape sequence (see [Table 1](#)) as part of your chat script:

```
ssword:~/r-ssword
```

This part of the script specifies that, after the connection is established, you want **ssword** to be displayed. If it is not displayed, you must press Return again after the timeout passes. (For more information about expressing characters in chat scripts, see the “[Regular Expressions](#)” appendix in the *Cisco IOS Terminal Services Configuration Guide*.)

Chat String Special-Case Script Modifiers

Special-case script modifiers are also supported; refer to [Table 2](#) for examples.

Table 2 Special-Case Script Modifiers

Special Case	Function
ABORT <i>string</i>	Designates a string whose presence in the input indicates that the chat script has failed. (You can have as many active abort entries as you like.)
TIMEOUT <i>time</i>	Sets the time to wait for input, in seconds. The default is 5 seconds, and a timeout of 60 seconds is recommended for V.90 modems.

For example, if a modem reports BUSY when the number dialed is busy, you can indicate that you want the attempt stopped at this point by including ABORT BUSY in your chat script.



Note

If you use the *expect-send* pair ABORT SINK instead of ABORT ERROR, the system terminates abnormally when it encounters SINK instead of ERROR.

Configuring the Line to Activate Chat Scripts

Chat scripts can be activated by any of five events, each corresponding to a different version of the **script** line configuration command. To start a chat script manually at any point, see the following section, “[Manually Testing a Chat Script on an Asynchronous Line](#).”

To define a chat script to start automatically when a specific event occurs, use one of the following commands in line configuration mode:

Command	Purpose
Router(config-line)# script activation <i>regex</i> ¹	Starts a chat script on a line when the line is activated (every time a command EXEC is started on the line).
Router(config-line)# script connection <i>regex</i>	Starts a chat script on a line when a network connection is made to the line.
Router(config-line)# script dialer <i>regex</i>	Specifies a modem script for DDR on a line.
Router(config-line)# script reset <i>regex</i> ²	Starts a chat script on a line whenever the line is reset.
Router(config-line)# script startup <i>regex</i> ²	Starts a chat script on a line whenever the system is started up.

1. The *regex* argument is a regular expression that is matched to a script name that has already been defined using the **chat-script** command.
2. Do not use the **script reset** or **script startup** commands to configure a modem; instead use the **modem autoconfigure** command.



Note

Outbound chat scripts are not supported on lines where modem control is set for inbound activity only (using the **modem dialin** command).

Manually Testing a Chat Script on an Asynchronous Line

To test a chat script on any line that is currently not active, use the following commands in privileged EXEC mode:

	Command	Purpose
Step 1	Router# debug chat line <i>number</i>	Starts detailed debugging on the specified line.
Step 2	Router# start-chat <i>regex</i> [<i>line-number</i> [<i>dialer-string</i>]]	Starts a chat script on any asynchronous line.

If you do not specify the line number, the script runs on the current line. If the line specified is already in use, you cannot start the chat script. A message appears indicating that the line is already in use.

Using Chat Scripts

The following sections provide examples of how to use chat scripts:

- [Generic Chat Script Example](#)
- [Traffic-Handling Chat Script Example](#)
- [Modem-Specific Chat Script Examples](#)
- [Dialer Mapping Example](#)
- [System Login Scripts and Modem Script Examples](#)

Generic Chat Script Example

The following example chat script includes a pair of empty quotation marks (“ ”), which means “expect anything,” and \r, which means “send a return”:

```
" " \r "name:" "myname" "ord:" "mypassword" ">" "slip default"
```

Traffic-Handling Chat Script Example

The following example shows a configuration in which, when there is traffic, a random line will be used. The dialer code will try to find a script that matches either the modem script `.*-v32` or the system script `cisco`. If there is no match for either the modem script or the system script, you will see a “no matching chat script found” message.

```
interface dialer 1
! v.32 rotaries are in rotary 1.
dialer rotary-group 1
! Use v.32 generic script.
dialer map ip 10.0.0.1 modem-script .*-v32 system-script cisco 1234
```

Modem-Specific Chat Script Examples

The following example shows line chat scripts being specified for lines connected to Telebit and US Robotics modems:

```
! Some lines have Telebit modems.
line 1 6
  script dialer telebit.*
! Some lines have US Robotics modems.
line 7 12
  script dialer usr.*
```

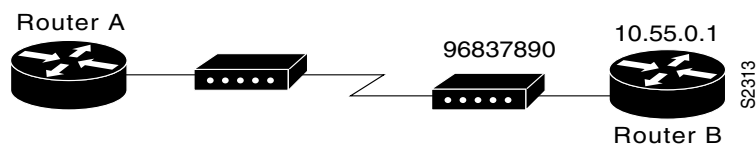
Dialer Mapping Example

The following example shows a modem chat script called dial and a system login chat script called login:

```
chat-script dial ABORT ERROR "" "AT Z" OK "ATDT \T" TIMEOUT 60 CONNECT \c
chat-script login ABORT invalid TIMEOUT 60 name: myname word: mypassword ">" "slip
default"
interface async 10
  dialer in-band
  dialer map ip 10.55.0.1 modem-script dial system-script login 96837890
```

Figure 1 illustrates the configuration.

Figure 1 Chat Script Configuration and Function



- The configuration is on Router A.
- The modem chat script dial is used to dial out to the modem at Router B.
- The system login chat script login is used to log in to Router B.
- The phone number is the number of the modem attached to Router B.
- The IP address in the **dialer map** command is the address of Router B.

In the sample script shown, the **dialer in-band** command enables DDR on asynchronous interface 10, and the **dialer map** command dials 96837890 after finding the specified dialing and the system login scripts. When a packet is received for 10.55.0.1, the first thing to happen is that the modem script is implemented. Table 3 lists the functions that are implemented with each expect-send pair in the modem script called dial.

Table 3 Example Modem Script Execution

Expect and Send Pair	Implementation
ABORT ERROR	Ends the script execution if the text “ERROR” is found. (You can have as many active abort entries as you like.)
“ ” “AT Z”	Without expecting anything, sends an “AT Z” command to the modem. (Note the use of quotation marks to allow a space in the send string.)
OK “ATDT \T	Waits to see “OK.” Sends “ATDT 96837890.”
TIMEOUT 60	Waits up to 60 seconds for next expect string.
CONNECT \c	Expects “connect,” but does not send anything. (Note that \c is effectively nothing; “ ” would have indicated nothing followed by a carriage return.)

After the modem script is successfully executed, the system login script is executed. Table 4 lists the functions that are executed with each expect-send pair in the system script called login.

Table 4 Example System Script Execution

Expect and Send Pair	Implementation
ABORT invalid	Ends the script execution if the message “invalid username or password” is displayed.
TIMEOUT 60	Waits up to 60 seconds.
name: <i>username</i>	Waits for “name:” and sends username. (Using just “name:” will help avoid any capitalization issues.)
word: <i>password</i>	Waits for “word:” and sends the password.
“>” “slip default”	Waits for the > prompt and places the line into Serial Line Internet Protocol (SLIP) mode with its default address.

System Login Scripts and Modem Script Examples

The following example shows the use of chat scripts implemented with the **system-script** and **modem-script** options of the **dialer map** command.

If there is traffic for IP address 10.2.3.4, the router will dial the 91800 number using the `usrobotics-v32` script, matching the regular expression in the modem chat script. Then the router will run the `unix-slip` chat script as the system script to log in.

If there is traffic for 10.3.2.1, the router will dial 8899 using `usrobotics-v32`, matching both the modem script and modem chat script regular expressions. The router will then log in using the `cisco-compressed` script.

```
! Script for dialing a usr v.32 modem:
chat-script usrobotics-v32 ABORT ERROR " " "AT Z" OK "ATDT \T" TIMEOUT 60 CONNECT \c
!
! Script for logging into a UNIX system and starting up SLIP:
chat-script unix-slip ABORT invalid TIMEOUT 60 name: billw word: wewpass ">" "slip
default"
!
! Script for logging into a Cisco access server and starting up TCP header compression:
```

```
chat-script cisco-compressed...
!  
line 15  
  script dialer usrobotics-*  
!  
interface async 15  
  dialer map ip 10.2.3.4 system-script *-v32 system-script cisco-compressed 91800  
  dialer m
```

Cisco and the Cisco Logo are trademarks of Cisco Systems, Inc. and/or its affiliates in the U.S. and other countries. A listing of Cisco's trademarks can be found at www.cisco.com/go/trademarks. Third party trademarks mentioned are the property of their respective owners. The use of the word partner does not imply a partnership relationship between Cisco and any other company. (1005R)

Any Internet Protocol (IP) addresses used in this document are not intended to be actual addresses. Any examples, command display output, and figures included in the document are shown for illustrative purposes only. Any use of actual IP addresses in illustrative content is unintentional and coincidental.

© 2001-2008 Cisco Systems, Inc. All rights reserved.



Cisco Modem User Interface

Feature History

Release	Modification
12.2(4)T	This feature was introduced.

This document describes the Asynchronous Line Monitoring feature feature in Cisco IOS Release 12.2(4)T. It includes the following sections:

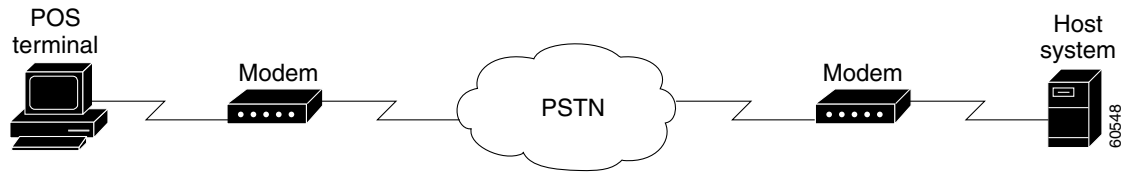
- [Feature Overview, page 399](#)
- [Supported Platforms, page 401](#)
- [Supported Standards, MIBs, and RFCs, page 401](#)
- [Configuration Tasks, page 402](#)
- [Monitoring and Maintaining the Asynchronous Line Monitoring feature, page 407](#)
- [Configuration Examples, page 407](#)
- [Command Reference, page 410](#)
- [Glossary, page 411](#)

Feature Overview

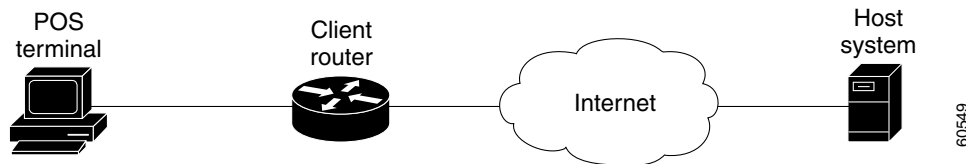
The Asynchronous Line Monitoring feature feature enables Cisco routers to behave like a modem and be configured using standard Hayes modem commands.

[Figure 1](#) shows a legacy data transfer configuration using X.25, modems, and telephone lines.



Figure 1 Legacy Data Transfer Equipment

With the Asynchronous Line Monitoring feature, a point of sale (POS) terminal, such as those used by gasoline service stations to charge customers for merchandise and services, can use high-speed Internet connections rather than slow-speed telephone connections to transfer data (see [Figure 2](#)).

Figure 2 Data Transfers Using the Asynchronous Line Monitoring feature

The user interface to the higher speed connection will not change when the Asynchronous Line Monitoring feature is used; the user interface will still appear as if the connection on the POS terminal is through a modem and a telephone line.

Although there are a wide variety of proprietary extensions to the Hayes modem commands, the Asynchronous Line Monitoring feature supports only a subset of the commands. This basic functionality is enhanced with Cisco-specific modem register settings, Telnet connection capability, and dial-related Cisco IOS commands.

**Note**

Typically, parity and databits commands have no effect on modem lines without UART. However, since modem lines such as WIC-1AM and WIC-2AM are implemented though UART and use an internal UART, the parity and databits commands can be used to set async parity framing. The following commands may be used on WIC-AM modem cards (although changing the DTE speed and stopbits on these lines have no effect): parity, databits, stopbits, flowcontrol, speed, rxspeed, txspeed.

Benefits

The Asynchronous Line Monitoring feature allows Cisco routers to replace modems, and thereby update a slow telephone call-modem negotiation process with a high-speed Internet connection. Together, these features provide the following benefits:

- Reduced costs, because modems are no longer necessary.
- Increased connection speeds, because Internet connections are faster than modem connections.

Restrictions

The following Hayes modem features are not supported by the Asynchronous Line Monitoring feature:

- Modem autobaud detection
- Modem answer capability
- Modem fax features
- Synchronous traffic
- The Hayes modem escape sequence (,+++)

Supported Platforms

- Cisco 1700 series
- Cisco 2600 series
- Cisco 3600 series

Platform Support Through Feature Navigator

Cisco IOS software is packaged in feature sets that support specific platforms. To get updated information regarding platform support for this feature, access Feature Navigator. Feature Navigator dynamically updates the list of supported platforms as new platform support is added for the feature.

Feature Navigator is a web-based tool that enables you to quickly determine which Cisco IOS software images support a specific set of features and which features are supported in a specific Cisco IOS image.

To access Feature Navigator, you must have an account on Cisco.com. If you have forgotten or lost your account information, send a blank e-mail to cco-locksmith@cisco.com. An automatic check will verify that your e-mail address is registered with Cisco.com. If the check is successful, account details with a new random password will be e-mailed to you. Qualified users can establish an account on Cisco.com by following the directions at <http://www.cisco.com/register>.

Feature Navigator is updated when major Cisco IOS software releases and technology releases occur. As of May 2001, Feature Navigator supports M, T, E, S, and ST releases. You can access Feature Navigator at the following URL:

<http://www.cisco.com/go/fn>

Supported Standards, MIBs, and RFCs

Standards

None

MIBs

None

To obtain lists of supported MIBs by platform and Cisco IOS release, and to download MIB modules, go to the Cisco MIB website on Cisco.com at the following URL:

<http://www.cisco.com/public/sw-center/netmgmt/cmtk/mibs.shtml>

RFCs

None

Configuration Tasks

See the following sections for the configuration tasks for the Asynchronous Line Monitoring feature feature. Each task in the list is identified as either required or optional:

- [Configuring the Telephone Number for the Asynchronous Line Monitoring feature Connection](#) (required)
- [Configuring a Line for the Asynchronous Line Monitoring feature](#) (required)
- [Entering Asynchronous Line Monitoring feature Mode from EXEC Mode](#) (optional)
- [Configuring Banners for the Hayes Information Mode Command](#) (optional)

Configuring the Telephone Number for the Asynchronous Line Monitoring feature Connection

To configure the telephone number for the Asynchronous Line Monitoring feature feature, you must map the telephone number to the IP host where the connection will be made. To do so, use the following command in global configuration mode:

Command	Purpose
Router(config)# ip host tmodem-telephone-number address	Maps a modem telephone number to an IP host address for use in Asynchronous Line Monitoring feature mode.

Configuring a Line for the Asynchronous Line Monitoring feature

To configure a line for the Asynchronous Line Monitoring feature feature, use the following commands beginning in global configuration mode. (Notice that the **modemui EXEC** command is entered as part of the **autocommand** command.)

	Command	Purpose
Step 1	Router(config)# line aux 0	Selects the line to configure for the Asynchronous Line Monitoring feature feature and enters line configuration mode.
Step 2	Router(config-line)# stopbits bits	Sets the number of stop bits sent per byte.
Step 3	Router(config-line)# speed rate	Sets the asynchronous line bit rate.
Step 4	Router(config-line)# flowcontrol type	Sets line flow control.
Step 5	Router(config-line)# modem dialin delay	(Optional) Delays assertion of the data terminal ready (DTR) signal until a connection is established.
Step 6	Router(config-line)# autocommand modemui [<i>modem-commands</i>]	(Optional) Automatically executes the modemui EXEC command when a user connects to the line. See Table 1 for the modem commands that are entered with the modemui command.

**Note**

Typically, parity and databits commands have no effect on modem lines without UART. However, since modem lines such as WIC-1AM and WIC-2AM are implemented though UART and use an internal UART, the parity and databits commands can be used to set async parity framing. The following commands may be used on WIC-AM modem cards although changing the DTE speed and stopbits on these lines have no effect: parity, databits, stopbits, flowcontrol, speed, rxspeed, and txspeed.

Example configurations in the section “[Configuration Examples](#)” list additional commands that might also be entered for line configuration.

Entering Asynchronous Line Monitoring feature Mode from EXEC Mode

To enter the Cisco modem user interface from EXEC mode, use the following command in EXEC mode:

Command	Purpose
Router# modemui [<i>modem-commands</i>]	Enters Cisco modem user interface mode and establishes an environment where you can enter the Hayes modem commands listed in Table 1 .

You can also add EXEC commands to the Cisco IOS **autocommand** line configuration command. This type of configuration allows the **modemui** EXEC command to be automatically executed; see the section “[Configuring a Line for the Asynchronous Line Monitoring feature](#)” for the relevant task.

Configuring Banners for the Hayes Information Mode Command

To configure banners that are displayed in response to the Hayes information mode command, use the following command in global configuration mode:

Command	Purpose
Router(config)# modemui-version <i>delimiter banner-text delimiter</i>	Sets the the display for the Hayes information mode command (ATI <i>n</i>).

[Table 1](#) lists and describes the Hayes-compatible modem commands, including **ATI***n*.

Table 1 Cisco-Supported Hayes Modem Commands

Hayes Modem Commands	Description
AT	Attention command. Enters modem command execution mode. You can add any of the command settings listed in this table to the AT command.
DTstring DPstring	<p>Dials outbound tone (T) or pulse (P) call. The string following the T or P character is used as an argument to the Cisco IOS connect EXEC command.</p> <p>Before dialing, you must set up an appropriate IP host using the Cisco IOS ip host global configuration command. For example:</p> <pre>ip host t555-1212 4023 10.0.0.51</pre> <p>Valid characters for <i>string</i> are the same as the characters that are used in a host name for the Cisco IOS connect command, as follows:</p> <ul style="list-style-type: none"> • The numbers 0 through 9 • Uppercase letters A through Z • Lowercase letters a through z • The . (period), - (hyphen), and _ (underscore) characters <p>No other characters (such as # or *) are accepted in the dial string, and unsupported characters are stripped before dialing occurs.</p>
En	<p>Echo mode. Values for <i>n</i> follow:</p> <ul style="list-style-type: none"> • 0 turns off command echo. • 1 turns on command echo (default).
Hn	Hangup mode. A value of 0 or 1 closes the connection.
In	Information mode. The information displayed is set in a banner configured with the Cisco IOS MODEMUI-VERSION global configuration command; see the section “ Configuring Banners for the Hayes Information Mode Command .” Acceptable values for <i>n</i> are the numbers 0 through 6.
On	Online mode. A value of 0 or 1 resumes the connection.
Qn	<p>Quiet mode. Values for <i>n</i> follow:</p> <ul style="list-style-type: none"> • 0 displays modem result codes (default). • 1 inhibits modem result codes display (quiet mode).
Sn=v	<p>Set selected register (S-register).</p> <p>Note The standard Hayes modem S-register settings S0 through S53 are accepted by Cisco IOS software, but do not have any effect.</p> <p>Choose one of the following S-registers for <i>n</i>:</p> <ul style="list-style-type: none"> • S201—Command mode parity sniffing. <p>If the value (<i>v</i>) for S201 is 0 (default), parity for both the command and data portions of a call are controlled by the Cisco IOS parity and databits line configuration commands.</p> <p>If the value (<i>v</i>) for S201 is 1, mark or space parity for the command session will be taken from the Hayes AT part of the command, while the data portion will be 8-bit transparent.</p>

Table 1 Cisco-Supported Hayes Modem Commands (continued)

Hayes Modem Commands	Description
	<ul style="list-style-type: none"> • S202—Output mask. This setting allows mark parity to be unconditionally implemented for the command characters. The default value for S202 is 0 (no parity). The value 128 causes command characters to be sent with mark parity. • S203—Connect delay. Allows a delay to be added to the time between when the ATD command is executed and when the call success or failure code is displayed. This delay is sometimes required because a Telnet connection is established more quickly than placing a telephone call. The value for S203 can be a number from 0 to 255. The actual value applied to the connect delay is 10 percent of the number entered for <i>v</i>. For example, a value of 300 sets a connect delay of 30 seconds. The default value is 0. • S204—Connect code. Allows the result code for a successful connection to be specified. The default is code 1 for the unextended mode, but you can configure one of the following numbers to display a selected line speed. For example, connection code 10 selects CONNECT 2400. By allowing the code to be expressed explicitly, you can allow for a “CONNECT 2400” response message to be displayed, regardless of the actual line speed. The default for <i>v</i> is 0, or choose one of the following connection codes: <ul style="list-style-type: none"> - 9—CONNECT 1200 - 10—CONNECT 2400 - 11—CONNECT 4800 - 12—CONNECT 9600 - 13—CONNECT 14400 - 14—CONNECT 19200 - 15—CONNECT 38400 - 16—CONNECT 57600
Sn?	S-register query. The value for <i>n</i> is the number of the S-register to query (S201 through S204, see the preceding list).
Vn	Result code format. Values for <i>n</i> follow: <ul style="list-style-type: none"> • 0 displays a short result report. • 1 displays a long result report (default).
Xn	Extended result codes. The value for <i>n</i> is any nonzero number, which appends /NONE to the connect message. Also see the preceding description for S-register S204, for changing the reported connection speed.
Z Z99	Reset to default configuration. Choose one of the following reset options: <ul style="list-style-type: none"> • ATZ returns the Cisco modem user interface to its default state and re-executes the initialization string provided in the modemui command. • ATZ99 returns to the standard Cisco IOS software user interface (EXEC) mode.

Verifying Asynchronous Line Monitoring feature Mode

To verify correct operation of the Asynchronous Line Monitoring feature feature, perform the following steps in EXEC mode:

-
- Step 1** Enter the **modemui** command to enter Cisco modem user interface mode:
- ```
Router# modemui
```
- Step 2** Enter the **AT** command to start interactive Cisco modem user interface mode operation. The system replies with “OK” when you successfully enter the mode:
- ```
AT
OK
```
- Step 3** Enter the modem telephone number with the **ATDT** dial command. A successful connection displays the “CONNECT” message followed by the login prompt from the remote terminal:
- ```
ATDT4085551212
CONNECT
User Access Verification
Username:
```
- Step 4** Enter the Cisco IOS escape sequence (by default this sequence is Ctrl^, X) to leave the connection and return to the Cisco modem user interface mode.
- Step 5** Return to Cisco IOS EXEC mode by entering the **ATZ99** command. The Cisco IOS EXEC prompt reappears:
- ```
ATZ99

Router#
```
-

Verifying the Asynchronous Line Monitoring feature Telephone-to-IP-Address Map

To verify correct mapping between the modem telephone number and the IP host, enter the **show host** command in EXEC mode to display the telephone number associated with the IP host. This command also displays default domain name, the style of name lookup service, a list of name server hosts, and the cached list of host names and addresses.

```
Router# show host

Default domain is not set
Name/address lookup uses domain service
Name servers are 255.255.255.255

Codes: u - unknown, e - expired, * - OK, ? - revalidate
       t - temporary, p - permanent

   Host                Age  Type  Address(es)
*p p4085554567         0   IP    1.2.1.6
*p t4085551234         0   IP    1.2.1.5
```

Under the Host field, a “p” indicates a pulse-dialed modem telephone number, and a “t” indicates a tone-dialed modem telephone number. The IP address mapped to the telephone number appears under the “Address(es)” field.

Troubleshooting Tips

To troubleshoot operation of the Asynchronous Line Monitoring feature feature, use the **debug modem** privileged EXEC command to start modem and EXEC debugging mode.

Monitoring and Maintaining the Asynchronous Line Monitoring feature

To monitor and maintain the Asynchronous Line Monitoring feature feature, use the following commands in EXEC mode, as needed:

Command	Purpose
Router# show host	Displays the default domain name, the style of name lookup service, a list of name server hosts, and the cached list of host names and addresses.
Router# show tcp	Displays the status of TCP connections, and lists the telephone number mapped to the IP host.
Router# show users	Displays information about the active lines on the router.

Configuration Examples

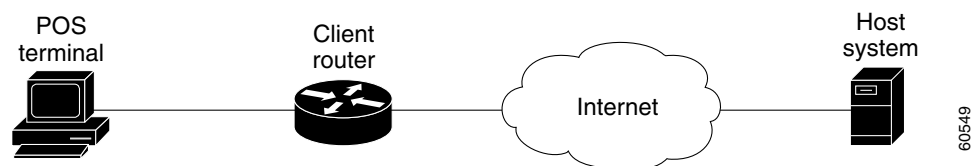
This section provides the following configuration examples:

- [Automatic Connection Configuration Example](#)
- [Asynchronous Tunnel Termination Configuration Example](#)
- [Banner Setup and Display Example](#)

Automatic Connection Configuration Example

The following example shows how to configure the Asynchronous Line Monitoring feature shown in [Figure 3](#).

Figure 3 *Asynchronous Line Monitoring feature Configuration*



Both the client and host router must have the Asynchronous Line Monitoring feature loaded for the configurations to work. Configuration settings on the routers provide an environment that spoofs or emulates the Hayes modem interface, yet allows connection to the host using a high-speed Internet connection instead of the slow-speed telephone connections shown in [Figure 1](#). The configuration in this example includes a 2-second delay between when the dial number command is executed and when the call success or failure code is displayed (see the **autocommand modemui ats203=20** command in the following “Client Router Configuration” output).

Client Router Configuration

```
ip host t4155551234 192.168.33.15
!
line 35
 login authentication modem
 modem dialin delay
 stopbits 1
 speed 2400
 flowcontrol hardware
 transport input none
 autocommand modemui ats203=20
```

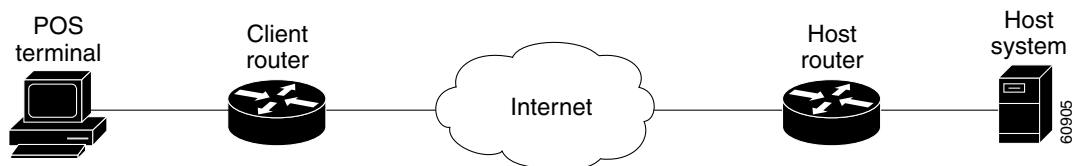
Host Router Configuration

```
aaa new-model
aaa authentication login modem none
!
ip host t4085551234 1.2.1.5
!
interface async 129
 ip address 1.2.1.5 255.255.255.0
 encapsulation ppp
 async dynamic address
 async dynamic routing
 async mode dedicated
 pulse-time 3
```

Asynchronous Tunnel Termination Configuration Example

The following example shows a configuration where a destination host router terminates an asynchronous tunnel from the client router. The connection to the final destination is also an asynchronous connection (see [Figure 4](#)).

Figure 4 Asynchronous Tunnel Configuration



Note that in this configuration the host router does *not* use the **modemui EXEC** command.

Client Router Configuration

```
!
ip host t4155551234 4017 121.12.33.15
```

```

!
line 35
  login authentication modem
  modem dialin delay
  stopbits 1
  speed 2400
  flowcontrol hardware
  transport input none
  autocommand ats203=20

```

Host Router Configuration

```

!
line 17
  login authentication async tunnels
  modem host
  transport input all
  stopbits 1
  speed 2400
  flowcontrol hardware
  no exec

```

Banner Setup and Display Example

The following example configures the Asynchronous Line Monitoring feature banner to display the modem model and code revision in response to the **ATI6** modem command:

```
modemui-version / Telebit T3000 Modem, Version 1.5 /
```

To display the banner, perform the following steps:

-
- Step 1** From EXEC mode, enter the **modemui** command to enter Cisco modem user interface mode:
- ```
Router# modemui
```
- Step 2** Display the modem model and code revision by entering the **ATI6** command:
- ```
ATI6
Telebit T3000, Version 1.5
```
- Step 3** Enter the modem telephone number with the Hayes **ATDT** dial command. A successful connection displays the “CONNECT” message followed by the login prompt from the remote terminal:
- ```
ATDT4085551212
CONNECT
User Access Verification
Username:
```
- Step 4** To leave the connection and return to Cisco modem user interface mode, either enter the Cisco IOS escape sequence (by default this sequence is Ctrl^, X), or log out of an active terminal session.
- Step 5** Return to Cisco IOS EXEC mode by entering the **ATZ99** command. The Cisco IOS EXEC prompt reappears:
- ```
ATZ99

Router#
```
-

Command Reference

The following commands are introduced or modified in the feature or features documented in this module. For information about these commands, see the *Cisco IOS Dial Technologies Command Reference* at http://www.cisco.com/en/US/docs/ios/dial/command/reference/dia_book.html. For information about all Cisco IOS commands, go to the Command Lookup Tool at <http://tools.cisco.com/Support/CLILookup> or to the *Cisco IOS Master Commands List*.

New Commands

- **modemui**
- **modemui-version**

Modified Commands

- **ip host**
- **modem dialin**
- **show hosts**

Glossary

AT commands—The basic **AT**, or attention, command starts interaction with a Hayes or Hayes-compatible modem. Additional Hayes modem commands and arguments can be added to the basic **AT** command to set modem characteristics. For example, the **ATE0** command turns off command echoing.

Hayes-compatible modem—Any modem that recognizes Hayes modem commands. Hayes Microcomputer Products has developed a language called the AT command set for controlling modems that has become a de facto modem industry standard.

point of sale—See POS.

point of service—See POS.

POS—point of service or point of sale. A terminal such as those used by gasoline service stations to charge customers for merchandise and services. A POS is a PC with an internal modem and software

Cisco and the Cisco Logo are trademarks of Cisco Systems, Inc. and/or its affiliates in the U.S. and other countries. A listing of Cisco's trademarks can be found at www.cisco.com/go/trademarks. Third party trademarks mentioned are the property of their respective owners. The use of the word partner does not imply a partnership relationship between Cisco and any other company. (1005R)

Any Internet Protocol (IP) addresses used in this document are not intended to be actual addresses. Any examples, command display output, and figures included in the document are shown for illustrative purposes only. Any use of actual IP addresses in illustrative content is unintentional and coincidental.

© 2001-2008 Cisco Systems, Inc. All rights reserved.



Modem Script and System Script Support in Large-Scale Dial-Out

This feature module describes the Modem Script and System Script Support in Large-Scale Dial-Out feature and includes the following sections:

- [Feature Overview, page 413](#)
- [Supported Platforms, page 414](#)
- [Supported Standards, MIBs, and RFCs, page 414](#)
- [Configuration Tasks, page 415](#)
- [Monitoring and Maintaining Large-Scale Dial-Out Sessions, page 416](#)
- [Configuration Examples, page 416](#)
- [Command Reference, page 417](#)
- [Appendix, page 418](#)
- [Glossary, page 419](#)

Feature Overview

Modem connection and system login chat scripts are often used when asynchronous dial-on-demand routing (DDR) is configured. Currently, however, the large-scale dial-out network architecture does not allow chat scripts for a particular session to be passed through the network. Cisco IOS Release 12.2(2)T allows modem and system chat scripts to pass through large-scale dial-out networks by allocating two new authentication, authorization, and accounting (AAA) attributes for outbound service.

The AAA attributes define specific AAA elements in a user profile. Large-scale dial-out supports Cisco attribute-value (AV) pairs and TACACS+ attributes. The Modem Script and System Script Support in Large-Scale Dial-Out feature provides two new outbound service attributes for passing chat scripts: modem-script and system-script.



Benefits

The Modem Script and System Script Support in Large-Scale Dial-Out feature allows users to use modem and system chat scripts by linking them to AAA service outbound attributes for use by Cisco network access servers in large-scale dial-out networks.

Related Documents

- *Cisco IOS Dial Technologies Configuration Guide*, Release 12.2
- *Cisco IOS Security Configuration Guide*, Release 12.2
- *CiscoSecure ACS for Windows NT User Guide 2.0*

Supported Platforms

The Asynchronous Line Monitoring feature feature was developed for and tested on several Cisco device platforms. Check Feature Navigator for the feature sets in which the Asynchronous Line Monitoring feature is available.

Determining Platform Support Through Cisco Feature Navigator

Cisco IOS software is packaged in feature sets that support specific platforms. To get updated information regarding platform support for this feature, access Cisco Feature Navigator. Cisco Feature Navigator dynamically updates the list of supported platforms as new platform support is added for the feature.

Cisco Feature Navigator is a web-based tool that enables you to quickly determine which Cisco IOS software images support a specific set of features and which features are supported in a specific Cisco IOS image. You can search by feature or release. Under the release section, you can compare releases side by side to display both the features unique to each software release and the features in common.

To access Cisco Feature Navigator, you must have an account on Cisco.com. If you have forgotten or lost your account information, send a blank e-mail to cco-locksmith@cisco.com. An automatic check will verify that your e-mail address is registered with Cisco.com. If the check is successful, account details with a new random password will be e-mailed to you. Qualified users can establish an account on Cisco.com by following the directions at <http://www.cisco.com/register>.

Cisco Feature Navigator is updated regularly when major Cisco IOS software releases and technology releases occur. For the most current information, go to the Cisco Feature Navigator home page at the following URL:

<http://www.cisco.com/go/fn>

Supported Standards, MIBs, and RFCs

Standards

No new or modified standards are supported by this feature.

MIBs

No new or modified MIBs are supported by this feature.

To obtain lists of supported MIBs by platform and Cisco IOS release, and to download MIB modules, go to the Cisco MIB website on Cisco.com at <http://www.cisco.com/public/sw-center/netmgmt/cmtk/mibs.shtml>.

RFCs

No new or modified RFCs are supported by this feature.

Configuration Tasks

See the following sections for configuration tasks for the Modem Script and System Script Support in Large-Scale Dial-Out feature. Each task in the list is identified as either optional or required.

- [Creating the Dial-Out Profile](#) (required)
- [Creating the Chat Script](#) (required)
- [Verifying Modem and System Chat Scripts with Large-Scale Dial-Out](#) (optional but recommended)

Once these tasks are complete, you will need to complete the configuration tasks required for large-scale dial-out. See the chapter “Configuring Large-Scale Dial-Out” in the *Cisco IOS Dial Technologies Configuration Guide*.

Creating the Dial-Out Profile

To specify a name for the modem script and, if needed, a system script using cisco-avpair attributes for outbound service, use the following syntax to enter these attributes in the dial-out profile:

```
cisco-avpair = "outbound:modem-script=script-name"  
cisco-avpair = "outbound:system-script=script-name"
```

To specify a name for the modem script and, if needed, a system script using TACACS+ attributes for outbound service, use the following syntax to enter these attributes in the dial-out profile:

```
service = outbound {  
    modem-script = script-name  
    system-script = script-name  
}
```

**Timesaver**

Remember that the dial-out profile name must have the characters “-out” appended to it and that the only required attribute for a profile is the Cisco AV pair `outbound:dial-number`.

See the section “[Dial-Out Profile Examples](#)” for examples of dial-out profiles.

For more information about defining profiles, see the *Cisco IOS Security Configuration Guide* and the chapter “Configuring Large-Scale Dial-Out” in the *Cisco IOS Dial Services Configuration Guide: Network Services*.

Creating the Chat Script

To configure the modem or system script name in the Cisco network access server (NAS), use the following command in global configuration mode:

Command	Purpose
Router(config)# chat-script <i>script-name expect-send</i>	Provides commands to dial a modem and commands to log on to remote systems when using DDR.

See the section “[Chat Script Example](#)” for an example of a chat script that works with a dial-out-profile.

Verifying Modem and System Chat Scripts with Large-Scale Dial-Out

To verify correct operation of the dial-out profile and modem chat script, use the **debug aaa authorization** command. See the “[Verification Example](#)” for a sample of the output from this command.

Monitoring and Maintaining Large-Scale Dial-Out Sessions

To monitor and maintain large-scale dial-out sessions, use the following commands in EXEC mode as needed:

Command	Purpose
Router# clear dialer sessions	Removes all dialer sessions and disconnects links.
Router# debug aaa authorization	Displays configuration information and information about AAA/TACACS+ authorization.
Router# show dialer sessions	Displays all dialer sessions.

Configuration Examples

This section provides the following configuration examples:

- [Dial-Out Profile Examples](#)
- [Chat Script Example](#)
- [Verification Example](#)

Dial-Out Profile Examples

The following is an example of a Cisco AV pair dial-out profile named “evergreen” that defines a modem script named “dialer-script”:

```
evergreen-out Password = "cisco",
User-Service-Type = Outbound-User
cisco-avpair = "outbound:dial-number=5551212",
cisco-avpair = "outbound:addr=5.1.1.1",
```

```
cisco-avpair = "outbound:send-secret=cisco",
cisco-avpair = "outbound:modem-script=dialer-script"
```

The following is an example of how to define the same profile for TACACS+:

```
user = evergreen-out
{
  service = outbound {
    dial-number = 5551212
    addr = 5.1.1.1
    send-secret = cisco
    modem-script = dialer-script
  }
  service = ppp protocol = ip {
    default attribute = permit
  }
}
```

Chat Script Example

The following example creates a chat script for the Cisco NAS that references the dialer-script modem script created in the dial-out profile:

```
chat-script dialer-script "" AT OK ATDT\T TIMEOUT 60 CONNECT
```

Verification Example

Once connection is made, you can verify the configuration using the **debug aaa authorization** privileged EXEC command:

Router# **debug aaa authorization**

```
00:01:07: %LSDialout: temporary debug to verify the data integrity
00:01:07:      dial number = 5551212
00:01:07:      dialnum_count = 1
00:01:07:      force_56 = 0
00:01:07:      routing = 0
00:01:07:      data_svc = -1
00:01:07:      port_type = -1
00:01:07:      map_class =
00:01:07:      modem_script = dialer-script
00:01:07:      system_script =
00:01:07:      ip_address = 5.1.1.1
00:01:07:      send_secret = cisco
00:01:07:      send_auth = -1
00:01:07:      send_name =
00:01:07:      class =
```

Command Reference

This feature uses no new or modified commands. For information about all Cisco IOS commands, go to the Command Lookup Tool at <http://tools.cisco.com/Support/CLILookup> or to the *Cisco IOS Master Commands List*.

Appendix

The following new Cisco AV pairs and TACACS+ attributes are added to the large-scale dial outbound service attributes:

Modem Script Attribute

Specifies a name for the modem script.

Cisco AV Pair:

```
cisco-avpair = "outbound:modem-script=VALUE"
```

TACACS+ Support:

```
service = outbound {  
    modem-script = VALUE  
}
```

Value:

Modem script name that you assign.

System Script Attribute

Specifies a name for the system script.

Cisco AV Pair:

```
cisco-avpair = "outbound:system-script=VALUE"
```

TACACS+ Support:

```
service = outbound {  
    system-script = VALUE  
}
```

Value:

System script name that you assign.

Glossary

AAA—authentication, authorization, and accounting. Suite of network security services that provide the primary framework through which access control can be set up on your Cisco router or access server.

attributes—Data items sent between a network access server and a daemon that are used to direct AAA activities.

authentication, authorization, and accounting—See AAA.

chat script—Strings of text used to send commands for modem dialing, logging in to remote systems, and initializing asynchronous devices connected to an asynchronous line.

dial-out profile—Attributes that define specific AAA elements in a user profile. Large-scale dial-out supports a subset of Ascend AV pairs, RADIUS attributes, and a map class attribute providing outbound dialing services.

Cisco and the Cisco Logo are trademarks of Cisco Systems, Inc. and/or its affiliates in the U.S. and other countries. A listing of Cisco's trademarks can be found at www.cisco.com/go/trademarks. Third party trademarks mentioned are the property of their respective owners. The use of the word partner does not imply a partnership relationship between Cisco and any other company. (1005R)

Any Internet Protocol (IP) addresses used in this document are not intended to be actual addresses. Any examples, command display output, and figures included in the document are shown for illustrative purposes only. Any use of actual IP addresses in illustrative content is unintentional and coincidental.

© 2001-2008 Cisco Systems, Inc. All rights reserved.



Configuring ISDN BRI



Configuring ISDN BRI

First Published: February 26, 2003
Last Updated: November 24, 2010

This module describes tasks that are required to use an Integrated Services Digital Network (ISDN) Basic Rate Interface (BRI) line. It provides an overview of the ISDN technologies currently available and describes features that you can configure in an ISDN BRI circuit-switched internetworking environment.

Finding Feature Information

Your software release may not support all the features documented in this module. For the latest feature information and caveats, see the release notes for your platform and software release. To find information about the features documented in this module, and to see a list of the releases in which each feature is supported, see the [“Feature Information for Configuring ISDN BRI”](#) section on page 461.

Use Cisco Feature Navigator to find information about platform support and Cisco software image support. To access Cisco Feature Navigator, go to <http://www.cisco.com/go/cfn>. An account on Cisco.com is not required.

Contents

- [Information About ISDN BRI, page 422](#)
- [How to Configure ISDN BRI, page 426](#)
- [Configuration Examples for Configuring ISDN BRI, page 455](#)
- [Additional References, page 459](#)
- [Feature Information for Configuring ISDN BRI, page 461](#)



Americas Headquarters:
Cisco Systems, Inc., 170 West Tasman Drive, San Jose, CA 95134-1706 USA

Information About ISDN BRI

The Cisco IOS software provides an enhanced Multiple ISDN Switch Types feature that allows you to apply an ISDN switch type to a specific ISDN interface and configure more than one ISDN switch type per router. This feature allows both ISDN BRI and ISDN PRI to run simultaneously on platforms that support both interface types. Cisco IOS software supports both the ISDN BRI and the ISDN PRI.

ISDN BRI provides two bearer (B) channels, each capable of transferring voice or data at 64 kb/s, and one 16 kb/s data (D) signaling channel, which is used by the telephone network to carry instructions about how to handle each of the B channels. ISDN BRI (also referred to as 2 B + D) provides a maximum transmission speed of 128 kb/s, but many users use only half the available bandwidth. This section covers the following topics:

- [Requesting BRI Line and Switch Configuration from a Telco Service Provider, page 422](#)
- [Interface Configuration, page 424](#)
- [Multiple ISDN Switch Types Feature, page 424](#)

Requesting BRI Line and Switch Configuration from a Telco Service Provider

Before configuring ISDN BRI on your Cisco router, you must order a correctly configured ISDN line from your telecommunications service provider. This process varies from provider to provider on a national and international basis. However, some general guidelines follow:

- Ask for two channels to be called by one number.
- Ask for delivery of calling line identification. Providers sometimes call this CLI or automatic number identification (ANI).
- Ask for a point-to-point service and a data-only line if the router will be the only device attached to the BRI.
- Ask for point-to-multipoint service (subaddressing is required) and a voice-and-data line if the router will be attached to an ISDN bus (to which other ISDN devices might be attached).

When you order ISDN service for switches used in North America, request the BRI switch configuration attributes specified in [Table 1](#).

Table 1 North American ISDN BRI Switch Type Configuration Information

Switch Type	Configuration
DMS-100 BRI	2 B channels for voice and data.
Custom	2 directory numbers assigned by service provider. 2 service profile identifiers (SPIDs) required; assigned by service provider. Functional signaling. Dynamic terminal endpoint identifier (TEI) assignment. Maximum number of keys = 64. Release key = no, or key number = no. Ringing indicator = no. EKTS = no. PVC = 2. Request delivery of calling line ID on Centrex lines. Set speed for ISDN calls to 56 kb/s outside local exchange. Directory number 1 can hunt to directory number 2.

Table 1 North American ISDN BRI Switch Type Configuration Information (continued)

Switch Type	Configuration
5ESS Custom BRI	<p>For Data Only</p> <p>2 B channels for data. Point to point. Terminal type = E. 1 directory number (DN) assigned by service provider. MTERM = 1. Request delivery of calling line ID on Centrex lines. Set speed for ISDN calls to 56 kb/s outside local exchange.</p> <p>For Voice and Data</p> <p>(Use these values only if you have an ISDN telephone connected.) 2 B channels for voice or data. Multipoint. Terminal type = D. 2 directory numbers assigned by service provider. 2 SPIDs required; assigned by service provider. MTERM = 2. Number of call appearances = 1. Display = No. Ringing/idle call appearances = idle. Autohold = no. Onetouch = no. Request delivery of calling line ID on Centrex lines. Set speed for ISDN calls to 56 kb/s outside local exchange. Directory number 1 can hunt to directory number 2.</p>
5ESS National ISDN (NI) BRI	<p>Terminal type = A. 2 B channels for voice and data. 2 directory numbers assigned by service provider. 2 SPIDs required; assigned by service provider. Set speed for ISDN calls to 56 kb/s outside local exchange. Directory number 1 can hunt to directory number 2.</p>
EZ-ISDN 1	<p>For Voice and Data</p> <ul style="list-style-type: none"> • ISDN Ordering Code for Cisco 766/776 Series = Capability S • ISDN Ordering Code for Cisco 1604 Series = Capability R <p>2 B channels featuring alternate voice and circuit-switched data. Non-EKTS voice features include the following:</p> <ul style="list-style-type: none"> • Flexible Calling • Call Forwarding Variable • Additional Call Offering • Calling Number Identification (includes Redirecting Number Delivery)

Interface Configuration

The Cisco IOS software also provides custom features for configuring the ISDN BRI interface. The interface provides capabilities like call screening, called party-number verification, and ISDN default cause code override. For European and Australian customers, the interface provides Dialed Number Identification Service (DNIS)-plus-ISDN-subaddress binding to allow multiple binds between a dialer profile and an ISDN B channel.

Multiple ISDN Switch Types Feature

The Cisco IOS software provides an enhanced Multiple ISDN Switch Types feature that allows you to apply an ISDN switch type to a specific ISDN interface and configure more than one ISDN switch type per router. This feature allows both ISDN BRI and ISDN PRI to run simultaneously on platforms that support both interface types.

This section covers the following topics:

- [Dynamic Multiple Encapsulations, page 424](#)
- [Interface Configuration Options, page 425](#)
- [ISDN Cause Codes, page 425](#)

Dynamic Multiple Encapsulations

Prior to Cisco IOS Release 12.1, encapsulation techniques such as Frame Relay, High-Level Data Link Control (HDLC), Link Access Procedure, Balanced-Terminal Adapter (LAPB-TA), and X.25 could support only one ISDN B-channel connection over the entire link. HDLC and PPP could support multiple B channels, but the entire ISDN link needed to use the same encapsulation. The Dynamic Multiple Encapsulations feature introduced in Cisco IOS Release 12.1 allows various encapsulation types and per-user configurations on the same ISDN B channel at different times depending on the type of incoming call.

With the Dynamic Multiple Encapsulations feature, once calling line identification (CLID) binding is completed, the topmost interface is always used for all configuration and data structures. The ISDN B channel becomes a forwarding device, and the configuration on the D channel is ignored, thereby allowing the different encapsulation types and per-user configurations. Dynamic multiple encapsulations provide support for packet assembler/disassembler (PAD) traffic and X.25 encapsulated and switched packets. For X.25 encapsulations, the configurations reside on the dialer profile.

Dynamic multiple encapsulation is especially important in Europe, where ISDN is relatively expensive and the maximum use of all the 30 B channels on the same ISDN link is desirable. Further, the feature removes the need to statically dedicate channels to a particular encapsulation and configuration type, and improves channel usage.

[Figure 1](#) shows a typical configuration for an X.25 network in Europe. The Dynamic Multiple Encapsulations feature allows the use of all the 30 B channels, and supports calls that originate in diverse areas of the network and converge on the same ISDN PRI.

Figure 1 **European X.25 Network**

Interface Configuration Options

You can also optionally configure the snapshot routing for the ISDN interfaces. Snapshot routing is a method of dynamically learning remote routes and keeping the routes available for a specified period of time, even though routing updates are not exchanged during that period.

To place calls on an ISDN interface, you must configure the interface with dial-on-demand routing (DDR). For configuration information about ISDN by using DDR, see the “Dial-on-Demand Routing Configuration” part of this publication. For command information, refer to the *Cisco IOS Dial Technologies Command Reference*.

To configure the bandwidth on demand, see the modules “Configuring Legacy DDR Spokes” or “Configuring Legacy DDR Hubs” in the *Cisco IOS Dial Solutions Configuration Guide*.

ISDN Cause Codes

A cause code is an information element (IE) that indicates why an ISDN call failed or was disconnected. When the originating gateway receives a Release Complete message, it generates a tone corresponding to the cause code in the message.

[Table 2](#) lists the default cause codes that the VoIP (Voice over IP) gateway sends to the switch when a call fails at the gateway, and the corresponding tones that it generates.

Table 2 **Cause Codes Generated by the Cisco VoIP Gateway**

Cause Code	Description	Explanation	Tone
1	Unallocated (unassigned) number	The ISDN number is not assigned to any destination equipment.	Reorder
3	No route to destination	The call was routed through an intermediate network that does not serve the destination address.	Reorder
16	Normal call clearing	Normal call clearing has occurred.	Dial

Table 2 Cause Codes Generated by the Cisco VoIP Gateway (continued)

Cause Code	Description	Explanation	Tone
17	User busy	The called system acknowledged the connection request but was unable to accept the call because all B channels were in use.	Busy
19	No answer from user (user alerted)	The destination responded to the connection request but failed to complete the connection within the prescribed time. The problem is at the remote end of the connection.	Reorder
28	Invalid number format	The connection could not be established because the destination address was presented in an unrecognizable format or because the destination address was incomplete.	Reorder
34	No circuit/channel available	The connection could not be established because no appropriate channel was available to take the call.	Reorder

For a complete list of ISDN cause codes that are generated by the switch, refer to “Appendix B: ISDN Switch Types, Codes and Values” in the *Cisco IOS Debug Command Reference*.

Although the VoIP gateway generates the cause codes listed in [Table 2](#) by default, there are commands introduced in previous Cisco IOS releases that can override these defaults, thereby allowing the gateway to send different cause codes to the switch. The following commands override the default cause codes:

- **isdn disconnect-cause**—Sends the specified cause code to the switch when a call is disconnected.
- **isdn network-failure-cause**—Sends the specified cause code to the switch when a call fails because of internal network failures.
- **isdn voice-call-failure**—Sends the specified cause code to the switch when an inbound voice call fails with no specific cause code.

When you implement these commands, the configured cause codes are sent to the switch; otherwise, the default cause codes of the voice application are sent. For a complete description of these commands, refer to the *Cisco IOS Dial Technologies Command Reference*.

How to Configure ISDN BRI

To configure ISDN lines and interfaces, perform the following tasks:

- [Configuring the ISDN BRI Switch, page 427](#) (required)
- [Specifying Interface Characteristics for an ISDN BRI, page 430](#) (required)
- [Configuring ISDN Semipermanent Connections, page 449](#) (required)
- [Configuring ISDN BRI for Leased-Line Service, page 451](#) (required)
- [Monitoring and Maintaining ISDN Interfaces, page 453](#) (optional)
- [Troubleshooting ISDN Interfaces, page 454](#) (optional)

See the [Monitoring and Maintaining ISDN Interfaces](#) sections on page 452 and the “[Troubleshooting ISDN Interfaces](#)” section on page 453 in this module for tips on maintaining your network. See the section “[Configuration Examples for Configuring ISDN BRI](#)” section on page 455 for sample configurations.

To configure ISDN BRI for voice, video, and fax applications, refer to the *Cisco IOS Voice, Video, and Fax Applications Configuration Guide*.

Configuring the ISDN BRI Switch

To configure the ISDN switch type, perform the following tasks:

- [Configuring the Switch Type, page 427](#) (required)
- [Checking and Setting the Buffers, page 428](#) (required)
- [Configuring Buffers and MTU Size, page 429](#) (required)

Configuring the Switch Type

Perform this task to configure the switch type.

SUMMARY STEPS

1. **enable**
2. **configure terminal**
3. **isdn switch-type** *switch-type*
4. **end**

DETAILED STEPS

	Command or Action	Purpose
Step 1	enable Example: Router> enable	Enables privileged EXEC mode. • Enter your password if prompted.
Step 2	configure terminal Example: Router# configure terminal	Enters global configuration mode.
Step 3	isdn switch-type <i>switch-type</i> Example: Router(config)# isdn switch-type basic-ni	Selects the service provider switch type. See Table 3 for valid switch type keywords.
Step 4	end Example: Router(config)# end	Exits global configuration mode.

The “[Example: Configuring a Global ISDN and BRI Interface Switch Type](#)” section on page 454 provides an example of configuring the ISDN BRI switch.

[Table 3](#) lists the ISDN BRI service provider switch type keywords.

Table 3 ISDN Service Provider BRI Switch Types

Switch Type Keywords	Description/Use	Central Office (CO) Switch Type?
Voice/PBX Systems		
basic-qsig	PINX (PBX) switch with QSIG signaling per Q.931	
Australia, Europe, and UK		
basic-1tr6	German 1TR6 ISDN switch	Yes
basic-net3	NET3 ISDN BRI for Norway NET3, Australia NET3, and New Zealand NET3 switches; covers ETSI-compliant Euro-ISDN E-DSS1 signaling system	Yes
vn3	French VN3 ISDN BRI switch	Yes
Japan		
ntt	Japanese NTT ISDN BRI switch	
North America		
basic-5ess	Lucent (AT&T) basic rate 5ESS switch	Yes
basic-dms100	Nortel basic rate DMS-100 switch	Yes
basic-ni	National ISDN switch	Yes
All Users		
none	No switch defined	

**Note**

The command parser will still accept the following switch type keywords: **basic-nwnet3**, **vn2**, and **basic-net3**; however, when viewing the NVRAM configuration, the **basic-net3** and **vn3** switch type keywords are displayed respectively.

Checking and Setting the Buffers

When configuring a BRI interface, after the system starts up, make sure that the free list of the buffer pool has enough buffers that match the maximum transmission unit (MTU) of your BRI interface. If not, you must reconfigure buffers in order for the BRI interfaces to function properly.

Perform this task to check the MTU size and buffers.

SUMMARY STEPS

1. **enable**
2. **show interfaces bri** *number*
3. **show buffers**
4. **end**

DETAILED STEPS

	Command or Action	Purpose
Step 1	enable Example: Router# enable	Enables privileged EXEC mode. <ul style="list-style-type: none"> Enter your password if prompted.
Step 2	show interfaces bri number Example: Router# show interfaces bri 0	Displays the MTU size.
Step 3	show buffers Example: Router# show buffers	Displays the free buffers.
Step 4	end Example: Router# end	Exits privileged EXEC configuration mode.

Configuring Buffers and MTU Size

Perform this task to configure the buffers and the MTU size.

SUMMARY STEPS

- enable
- configure terminal
- buffers {{header | fastswitching | interface number | small | middle | big | verybig | large | huge {initial | max-free | min-free | permanent} buffers} | particle-clone particle-clones | element {minimum | permanent} elements}
- end

DETAILED STEPS

	Command or Action	Purpose
Step 1	enable Example: Router> enable	Enables privileged EXEC mode. <ul style="list-style-type: none"> Enter your password if prompted.
Step 2	configure terminal Example: Router# configure terminal	Enters global configuration mode.
Step 3	buffers <i>{header fastswitching interface number small middle big verybig large huge {initial max-free min-free permanent} buffers} particle-clone particle-clones element {minimum permanent} elements</i> Example: Router(config)# buffers big	Configures the size of the buffer and the initial public buffer pool settings.
Step 4	end Example: Router# end	Exits global configuration mode.

Specifying Interface Characteristics for an ISDN BRI

Perform the following tasks to set interface characteristics for an ISDN BRI interface irrespective of whether it is the only BRI in a router or is one of many. Each of the BRI's can be configured separately.

- [Specifying the Interface and Its IP Address, page 431](#)
- [Specifying ISDN SPIDs, page 432](#)
- [Configuring Encapsulation on ISDN BRI, page 433](#)
- [Configuring Network Addressing, page 435](#)
- [Configuring TEI Negotiation Timing, page 438](#)
- [Configuring CLI Screening, page 439](#)
- [Configuring Called-Party Number Verification, page 440](#)
- [Configuring ISDN Calling Number Identification, page 441](#)
- [Configuring the Line Speed for Calls Not ISDN End to End, page 442](#)
- [Configuring a Fast Rollover Delay, page 443](#)
- [Overriding ISDN Application Default Cause Codes, page 444](#)
- [Configuring Inclusion of the Sending Complete Information Element, page 446](#)
- [Configuring DNIS-plus-ISDN-Subaddress Binding, page 446](#)
- [Screening Incoming V.110 Modem Calls, page 447](#)

- [Disabling V.110 Padding, page 448](#)
- [Configuring Leased-Line Service at Normal Speeds, page 451](#)
- [Configuring Leased-Line Service at 128 Kb/s, page 452](#)

Specifying the Interface and Its IP Address

Perform this task to enter interface configuration mode and specify an ISDN BRI.

SUMMARY STEPS

1. **enable**
2. **configure terminal**
3. **interface** *bri number*
4. **ip address** *address mask*
5. **end**

DETAILED STEPS

	Command	Purpose
Step 1	enable Example: Router> enable	Enables privileged EXEC mode. <ul style="list-style-type: none">• Enter your password if prompted.
Step 2	configure terminal Example: Router# configure terminal	Enters global configuration mode.
Step 3	interface bri number Example: Router(config)# interface bri 0 Cisco 7200 series router only Router(config)# interface bri slot/port	Specifies the interface and enters interface configuration mode.
Step 4	ip address address mask Example: Router(config-if)# ip address ip 209.165.200.225 255.255.255.224	Specifies an IP address for the interface.
Step 5	end Example: Router# end	Exits interface configuration mode.

Specifying ISDN SPIDs

Some service providers use service profile identifiers (SPIDs) to define the services subscribed to by the ISDN device that is accessing the ISDN service provider. The service provider assigns the ISDN device one or more SPIDs when you first subscribe to the service. If you are using a service provider that requires SPIDs, your ISDN device cannot place or receive calls until it sends a valid, assigned SPID to the service provider when accessing the switch to initialize the connection.

Currently, only the DMS-100 and NI switch types require SPIDs. The AT&T 5ESS switch type may support a SPID, but we recommend that you set up the ISDN service without SPIDs. In addition, SPIDs have significance only at the local access ISDN interface. Remote routers never receive the SPID.

A SPID is usually a seven-digit telephone number with some optional numbers. However, service providers may use different numbering schemes. The DMS-100 switch type has two SPIDs — one for each B channel.

The **isdn spid1** and **isdn spid2** commands enable the router to define the SPIDs and the local directory number (LDN) on the router.

SUMMARY STEPS

1. **enable**

2. **configure terminal**
3. **interface bri** *number*
4. **isdn spid1** *word*
5. **isdn spid2** *word*
6. **end**

DETAILED STEPS

	Command or Action	Purpose
Step 1	enable Example: Router> enable	Enables privileged EXEC mode. <ul style="list-style-type: none"> • Enter your password if prompted.
Step 2	configure terminal Example: Router# configure terminal	Enters global configuration mode.
Step 3	interface bri <i>number</i> Example: Router(config)# interface BRI 0	Specifies the interface and begins interface configuration mode.
Step 4	isdn spid1 <i>word</i> Example: Router(config-if)# isdn spid1 415988488201	Specifies a SPID and a name for the B1 channel.
Step 5	isdn spid2 <i>word</i> Example: Router(config-if)# isdn spid2 415988488302	Specifies a SPID and a name for the B2 channel.
Step 6	end Example: Router# end	Exits interface configuration mode and returns to global configuration mode.

The LDN is optional but might be necessary if the router is to answer calls made to the second directory number.

Configuring Encapsulation on ISDN BRI

Each ISDN B channel is treated as a synchronous serial line, and the default serial encapsulation is HDLC. The Dynamic Multiple Encapsulations feature allows incoming calls over ISDN to be assigned an encapsulation type such as Frame Relay, PPP, and X.25, based on CLID or DNIS. PPP encapsulation is configured for most ISDN communication.

Perform this task to configure encapsulation on the ISDN BRI.

SUMMARY STEPS

1. **enable**
2. **configure terminal**
3. **interface bri *number***
4. **encapsulation [ppp | lapb | hdlc | x25]**
5. **end**

DETAILED STEPS

	Command or Action	Purpose
Step 1	enable Example: Router> enable	Enables privileged EXEC mode. <ul style="list-style-type: none"> • Enter your password if prompted.
Step 2	configure terminal Example: Router# configure terminal	Enters global configuration mode.
Step 3	interface bri <i>number</i> Example: Router(config)# interface BRI 0	Specifies the interface and enters interface configuration mode.
Step 4	encapsulation [ppp lapb hdlc x25] Example: Router(config-if)# encapsulation ppp	Configures the encapsulation type.
Step 5	end Example: Router(config-if)# end	Exits interface configuration mode and returns to global configuration mode.

Verifying the Dynamic Multiple Encapsulations Feature

To verify dialer interfaces configured for binding and to see statistics on each physical interface bound to the dialer interface, use the **show interfaces** command.

The following example shows that the output under the B channel keeps all the hardware counts that are not displayed under any logical or virtual access interface. The line in the report that states “Interface is bound to Dialer0 (Encapsulation LAPB)” indicates that this B interface is bound to the dialer 0 interface and that the encapsulation running over this connection is LAPB, not PPP, which is the encapsulation configured on the D interface and inherited by the B channel.

```
Router# show interfaces :1

:1 is up, line protocol is up
  Hardware is BRI
  MTU 1500 bytes, BW 64 Kbit, DLY 20000 usec, rely 255/255, load 1/255
  Encapsulation PPP, loopback not set, keepalive not set
  Interface is bound to Dialer0 (Encapsulation LAPB)
```



```

LCP Open, multilink Open
Last input 00:00:31, output 00:00:03, output hang never
Last clearing of "show interface" counters never
Queueing strategy: fifo
Output queue 0/40, 0 drops; input queue 0/75, 0 drops
5 minute input rate 0 bits/sec, 1 packets/sec
5 minute output rate 0 bits/sec, 1 packets/sec
  110 packets input, 13994 bytes, 0 no buffer
    Received 91 broadcasts, 0 runts, 0 giants, 0 throttles
    0 input errors, 0 CRC, 0 frame, 0 overrun, 0 ignored, 0 abort
  135 packets output, 14175 bytes, 0 underruns
    0 output errors, 0 collisions, 12 interface resets
    0 output buffer failures, 0 output buffers swapped out
    8 carrier transitions

```

Any protocol configuration and states should be displayed from the dialer interface 0.

Encapsulation Configuration Notes

The router might need to communicate with devices that require a different encapsulation protocol or the router might send traffic over a Frame Relay or X.25 network. The Dynamic Multiple Encapsulations feature provides bidirectional support of all serial encapsulations except Frame Relay.

To configure the router for automatic detection of encapsulation type on incoming calls, or to configure encapsulation for Cisco 700 and 800 series (formerly Combined) router compatibility, see the section [“Configuring Automatic Detection of Encapsulation Type”](#) in the module [“Configuring ISDN Special Signaling”](#) in this publication.

Configuring Network Addressing

Perform this task to configure network addressing.

This task supports the primary goals of network addressing:

- Define the packets that are interesting and those that will cause the router to make an outgoing call.
- Define the remote host where the calls are going.
- Specify whether broadcast messages will be sent.
- Specify the dialing string to be used in the call.

Intermediate steps that use shared argument values tie the host identification and dial string to the interesting packets to be sent to that host.

SUMMARY STEPS

1. **enable**
2. **configure terminal**
3. **interface bri *number***
4. **dialer map *protocol-keyword protocol-next-hop-address name hostname speed* [56 | 64] *dial-string[:isdn-subaddress]***
or
dialer map *protocol next-hop-address name hostname spc* [speed 56 | 64] [broadcast] *dial-string[:isdn-subaddress]*
5. **dialer-group *group-number***

6. **exit**
7. **dialer-list** *dialer-group* **protocol** *protocol-name* {**permit** | **deny** | **list** *access-list-number* | *access-group*}
8. **access-list** *access-list-number* {**deny** | **permit**} *protocol* *source address* *source-mask* *destination* *destination-mask*
9. **end**

DETAILED STEPS

	Command or Action	Purpose
Step 1	<p>enable</p> <p>Example: Router> enable</p>	<p>Enables privileged EXEC mode.</p> <ul style="list-style-type: none"> • Enter your password if prompted.
Step 2	<p>configure terminal</p> <p>Example: Router# configure terminal</p>	<p>Enters global configuration mode.</p>
Step 3	<p>interface bri number</p> <p>Example: Router(config)# interface BRI 0</p>	<p>Specifies the interface and begins interface configuration mode.</p>
Step 4	<p>dialer map protocol-keyword protocol-next-hop-address name hostname speed [56 64] dial-string[:isdn-subaddress]</p> <p>Example: Router(config-if)# dialer map 172.19.1.8 name abc speed 64 zzz 14155550134</p> <p>OR</p> <p>dialer map protocol next-hop-address name hostname spc [speed 56 64] [broadcast] dial-string[:isdn-subaddress]</p> <p>Example: Router(config-if)# dialer map ip 172.16.0.0 name user1 spc 64 broadcast zzz 14155550134</p> <p>OR</p> <p>Example: Router (config-if)# dialer map ip 172.16.0.0 name user2 spc 64 broadcast yyyy 14155550134</p>	<p>(Most locations) Configures a serial interface or ISDN interface to call one or multiple sites or to receive calls from multiple sites.</p> <p>(Germany) Uses the command keyword that enables ISDN semipermanent connections.</p>
Step 5	<p>dialer-group group-number</p> <p>Example: Router(config-if)# dialer-group 1</p>	<p>Assigns the interface to a dialer group to control access to the interface.</p>
Step 6	<p>exit</p> <p>Example: Router(config-if)# exit</p>	<p>Exits to global configuration mode.</p>

	Command or Action	Purpose
Step 7	dialer-list <i>dialer-group protocol protocol-name</i> { permit deny list <i>access-list-number</i> <i>access-group</i> } Example: Router(config)# dialer-list 1 protocol ip list 101	Defines a dial-on-demand routing (DDR) dialer list for dialing by protocol or by a combination of a protocol and an access list.
Step 8	access-list <i>access-list-number</i> { deny permit } <i>protocol source address source-mask destination</i> <i>destination-mask</i> Example: Router(config)# access-list 202 deny ip 192.0.2.0 255.255.255.224 192.0.2.3 255.255.255.224	Defines an access list permitting or denying access to specified protocols, sources, or destinations. Permitted packets cause the router to place a call to the destination protocol address.
Step 9	exit Example: Router(config)# exit	Exits global configuration mode.

German networks allow semipermanent connections between customer routers with BRIs and the 1TR6 basic rate switches in the exchange. Semipermanent connections are less expensive than leased lines.



Note

The access list reference in [Step 8](#) of this task is an example of the **access-list** commands allowed by different protocols. Some protocols might require a different command form or might require multiple commands. Refer to the relevant protocol module in the network protocol configuration guide (the *Cisco IOS Novell IPX Configuration Guide*, for example) for more information about setting up access lists for a protocol.

For more information about defining outgoing call numbers, see the modules “Configuring Legacy DDR Hubs” and “Configuring Legacy DDR Spokes” in the *Cisco IOS Dial Solutions Configuration Guide*.

Configuring TEI Negotiation Timing

Perform this task to configure terminal endpoint identifier (TEI) negotiation timing.

The **isdn tei** command enables the router to apply the TEI negotiation to a specific BRI interface.

You can configure the ISDN TEI negotiation on individual ISDN interfaces. The TEI negotiation is useful for switches that may deactivate Layers 1 or 2 when there are no active calls. Typically, this setting is used for ISDN service offerings in Europe and connections to DMS-100 switches that are designed to initiate the TEI negotiation.

By default, TEI negotiation occurs when the router is powered up. The TEI negotiation value configured on an interface overrides the default or global TEI value. For example, if you configure **isdn tei first-call** globally and **isdn tei powerup** on BRI interface 0, then the TEI negotiation **powerup** is the value applied to BRI interface 0. It is not necessary to configure TEI negotiation unless you wish to override the default value (**isdn tei powerup**).

SUMMARY STEPS

1. **enable**
2. **configure terminal**
3. **interface bri *number***
4. **isdn tei [first-call | powerup | preserve | remove]**
5. **end**

DETAILED STEPS

	Command or Action	Purpose
Step 1	enable Example: Router> enable	Enables privileged EXEC mode. <ul style="list-style-type: none"> • Enter your password if prompted.
Step 2	configure terminal Example: Router# configure terminal	Enters global configuration mode.
Step 3	interface bri <i>number</i> Example: Router(config)# interface BRI 0	Specifies the interface and begins interface configuration mode.
Step 4	isdn tei [first-call powerup preserve remove] Example: Router(config-if)# isdn tei first-call	Determines when ISDN TEI negotiation occurs.
Step 5	end Example: Router(config-if)# exit	Exits interface configuration mode and returns to global configuration mode.

Configuring CLI Screening

Perform this task to configure CLI screening.

CLI screening adds a level of security by allowing you to screen incoming calls. You can verify that the calling line ID is from an expected origin. CLI screening requires a local switch that is capable of delivering the CLI to the router.

SUMMARY STEPS

1. **enable**
2. **configure terminal**
3. **interface bri *number***
4. **isdn caller *word***

5. end

DETAILED STEPS

	Command or Action	Purpose
Step 1	enable Example: Router> enable	Enables privileged EXEC mode. <ul style="list-style-type: none"> Enter your password if prompted.
Step 2	configure terminal Example: Router# configure terminal	Enters global configuration mode.
Step 3	interface bri number Example: Router(config)# interface BRI 0	Specifies the interface and enters interface configuration mode.
Step 4	isdn caller word Example: Router(config-if)# isdn caller 415988488201	Configures caller ID screening.
Step 5	end Example: Router(config-if)# end	Exits interface configuration mode and returns to global configuration mode.

**Note**

If caller ID screening is configured and the local switch does not deliver caller IDs, the router rejects all calls.

**Note**

In releases prior to Cisco IOS Release 12.1, ISDN accepted all synchronous calls and performed some minimal CLI screening before accepting or rejecting a call. Beginning with Cisco IOS Release 12.1, DDR provides a separate process that screens for the profile of the caller. The new screening process also checks that enough resources are available to accept the call and that the call conforms to predetermined rules. When the call is found acceptable, the screening process searches for a matching profile for the caller. The call is accepted only when there is a matching profile.

Configuring Called-Party Number Verification

Perform this task to configure called-party number verification.

When multiple devices are attached to an ISDN BRI, you can ensure that only a single device answers an incoming call by verifying the number or subaddress in the incoming call against the configured number or subaddress or both of the device.

You can specify that the router verifies the called-party number or subaddress number in the incoming setup message for ISDN BRI calls, if the number is delivered by the switch. You can do so by configuring the number that is allowed.

SUMMARY STEPS

1. **enable**
2. **configure terminal**
3. **interface bri** *number*
4. **isdn answer1** [*called-party-number*] [*:subaddress*]
5. **isdn answer2** [*called-party-number*] [*:subaddress*]
6. **end**

DETAILED STEPS

	Command or Action	Purpose
Step 1	enable Example: Router> enable	Enables privileged EXEC mode. <ul style="list-style-type: none"> • Enter your password if prompted.
Step 2	configure terminal Example: Router# configure terminal	Enters global configuration mode.
Step 3	interface bri <i>number</i> Example: Router(config)# interface BRI 0	Specifies the interface and begins interface configuration mode.
Step 4	isdn answer1 [<i>called-party-number</i>] [<i>:subaddress</i>] Example: Router(config-if)# isdn answer1 [123][:56789]	Specifies that the router verify a called-party number or subaddress number in the incoming setup message.
Step 5	isdn answer2 [<i>called-party-number</i>] [<i>:subaddress</i>] Example: Router(config-if)# isdn answer2 [567][:45903]	Specifies that the router verify a second called-party number or subaddress number in the incoming setup message.
Step 6	end Example: Router(config-if)# end	Exits interface configuration mode and returns to global configuration mode.

Verifying the called-party number ensures that only the desired router responds to an incoming call. If you want to allow an additional number for the router, you can configure it, too.

Configuring ISDN Calling Number Identification

A router with an ISDN BRI interface might need to supply the ISDN network with a billing number for outgoing calls. Some networks offer better pricing on calls that display the number. When configured, this information is included in the outgoing call Setup message.

Perform this task to configure the interface to identify the billing number.

SUMMARY STEPS

1. **enable**
2. **configure terminal**
3. **interface bri** *number*
4. **isdn calling-number** *word*
5. **end**

DETAILED STEPS

	Command or Action	Purpose
Step 1	enable Example: Router> enable	Enables privileged EXEC mode. <ul style="list-style-type: none"> • Enter your password if prompted.
Step 2	configure terminal Example: Router# configure terminal	Enters global configuration mode.
Step 3	interface bri <i>number</i> Example: Router(config)# interface BRI 0	Specifies the interface and enters interface configuration mode.
Step 4	isdn calling-number <i>word</i> Example: Router(config-if)# isdn calling-number 415988488201	Specifies the calling party number.
Step 5	end Example: Router(config-if)# end	Exits interface configuration mode and returns to global configuration mode.

The **isdn calling-number** command can be used with all switch types except German 1TR6 ISDN BRI switches.

Configuring the Line Speed for Calls Not ISDN End to End

Perform this task to configure the line speed for calls that are not ISDN from end to end.

When calls are made at 56 kb/s but delivered by the ISDN network at 64 kb/s, the incoming data can get corrupted. However, on ISDN calls, if the receiving side is informed that the call is not an ISDN call from end to end, the ISDN network can set the line speed for the incoming call.

SUMMARY STEPS

1. **enable**
2. **configure terminal**
3. **interface bri *number***
4. **isdn not-end-to-end {56 | 64}**
5. **end**

DETAILED STEPS

	Command or Action	Purpose
Step 1	enable Example: Router> enable	Enables privileged EXEC mode. <ul style="list-style-type: none"> • Enter your password if prompted.
Step 2	configure terminal Example: Router# configure terminal	Enters global configuration mode.
Step 3	interface bri <i>number</i> Example: Router(config)# interface BRI 0	Specifies the interface and enters interface configuration mode.
Step 4	isdn not-end-to-end {56 64} Example: Router(config-if)# isdn not-end-to-end 56	Sets the speed to be used for incoming calls recognized as not ISDN end to end.
Step 5	end Example: Router(config-if)# end	Exits interface configuration mode and returns to global configuration mode.

Configuring a Fast Rollover Delay

Perform this task to configure a fast rollover delay.

Sometimes a router attempts to dial a call on an ISDN B channel before the previous call is completely torn down. The fast rollover fails because the second call is made to a different number before the B channel is released from the unsuccessful call. This failure might occur in the following ISDN configurations:

- The two B channels of the BRI are not configured as a hunt group, but have separate numbers defined.
- The B channel is not released by the ISDN switch until after Release Complete signal is processed.

You need to configure this delay if a BRI on a remote peer has two phone numbers configured one for each B channel you are dialing into this BRI. You also need to configure this delay if you have a dialer map for each phone number and the first call succeeds but a second call fails with no channel available.

SUMMARY STEPS

1. **enable**
2. **configure terminal**
3. **interface bri** *number*
4. **isdn fast-rollover-delay** *seconds*
5. **end**

DETAILED STEPS

	Command or Action	Purpose
Step 1	enable Example: Router> enable	Enables privileged EXEC mode. <ul style="list-style-type: none"> • Enter your password if prompted.
Step 2	configure terminal Example: Router# configure terminal	Enters global configuration mode.
Step 3	interface bri <i>number</i> Example: Router(config)# interface BRI 0	Specifies the interface and begins interface configuration mode.
Step 4	isdn fast-rollover-delay <i>seconds</i> Example: Router(config-if)# isdn fast-rollover-delay 56	Defines a fast rollover delay.
Step 5	end Example: Router(config-if)# end	Exits interface configuration mode and returns to global configuration mode.

A delay of 5 seconds should cover most cases. Configure sufficient delay to ensure the ISDN RELEASE_COMPLETE message has been sent or received before making the fast rollover call. Use the **debug isdn q931** command to display this information. This pattern of failed second calls is a rare occurrence.

Overriding ISDN Application Default Cause Codes

Perform this task to override ISDN application default cause codes.

The ISDN Cause Code Override function is useful for overriding the default cause code of ISDN applications. When this feature is implemented, the configured cause code is sent to the switch; otherwise, default cause codes of the application are sent.

SUMMARY STEPS

1. **enable**

2. **configure terminal**
3. **interface bri *number***
4. **isdn disconnect-cause {*cause-code-number* | busy | not-available}**
5. **end**

DETAILED STEPS

	Command or Action	Purpose
Step 1	enable Example: Router> enable	Enables privileged EXEC mode. <ul style="list-style-type: none"> • Enter your password if prompted.
Step 2	configure terminal Example: Router# configure terminal	Enters global configuration mode.
Step 3	interface bri <i>number</i> Example: Router(config)# interface BRI 0	Specifies the interface and begins interface configuration mode.
Step 4	isdn disconnect-cause {<i>cause-code-number</i> busy not-available} Example: Router(config-if)# isdn disconnect-cause not-available	Specifies the ISDN cause code to be sent to the switch.
Step 5	end Example: Router(config-if)# end	Exits interface configuration mode and returns to global configuration mode.

Examples

The following example sends a BUSY cause code to the switch when an application fails to complete the call:

```
interface serial 0:23
 isdn disconnect-cause busy
```

Verifying ISDN Cause Code Override

To verify that the ISDN Cause Code Override feature is operating correctly, enter the **debug q931** command. The **debug q931** command displays a report of any configuration irregularities.

Configuring Inclusion of the Sending Complete Information Element

Perform this task to configure inclusion of the sending complete information element. In some geographic locations, such as Hong Kong and Taiwan, ISDN switches require that the Sending Complete information element be included in the outgoing Setup message to indicate that the entire number is included. This information element is generally not required in other locations.

SUMMARY STEPS

1. **enable**
2. **configure terminal**
3. **interface bri *number***
4. **isdn sending-complete**
5. **end**

DETAILED STEPS

	Command or Action	Purpose
Step 1	enable Example: Router> enable	Enables privileged EXEC mode. <ul style="list-style-type: none"> • Enter your password if prompted.
Step 2	configure terminal Example: Router# configure terminal	Enters global configuration mode.
Step 3	interface bri <i>number</i> Example: Router(config)# interface BRI 0	Specifies the interface and enters interface configuration mode.
Step 4	isdn sending-complete Example: Router(config-if)# isdn sending-complete	Includes the Sending Complete information element in the outgoing call Setup message.
Step 5	end Example: Router(config-if)# end	Exits interface configuration mode and returns to global configuration mode.

Configuring DNIS-plus-ISDN-Subaddress Binding

Perform this task to configure DNIS-plus-ISDN-subaddress binding.

SUMMARY STEPS

1. **enable**
2. **configure terminal**

3. **dialer called** *dnis:subaddress*
4. **end**

DETAILED STEPS

	Command or Action	Purpose
Step 1	enable Example: Router> enable	Enables privileged EXEC mode. <ul style="list-style-type: none"> • Enter your password if prompted.
Step 2	configure terminal Example: Router# configure terminal	Enters global configuration mode.
Step 3	dialer called <i>dnis:subaddress</i> Example: Router(config)# dialer called 12345:6789	Binds a DNIS to an ISDN subaddress.
Step 4	end Example: Router(config)# end	Exits global configuration mode.



Note The **dialer called** command allows multiple binds between a dialer profile and an ISDN B channel. The configuration requires an ISDN subaddress, which is used in Europe and Australia.

See the section “[Example: DNIS-plus-ISDN-Subaddress Binding](#)” on page 458 in this module for a configuration example.

Screening Incoming V.110 Modem Calls

Perform this task to screen incoming V.110 modem calls. You can screen incoming V.110 modem calls and reject calls that do not have the communications settings configured according to the network.

SUMMARY STEPS

1. **enable**
2. **configure terminal**
3. **interface bri** *number*
4. **isdn v110 only** [**databits** {5 | 7 | 8}] [**parity** {even | mark | none | odd | space}] [**stopbits** {1 | 1.5 | 2}]
5. **end**

DETAILED STEPS

	Command or Action	Purpose
Step 1	enable Example: Router> enable	Enables privileged EXEC mode. <ul style="list-style-type: none">Enter your password if prompted.
Step 2	configure terminal Example: Router# configure terminal	Enters global configuration mode.
Step 3	interface bri <i>number</i> Example: Router(config)# interface BRI 0	Specifies the interface and enters interface configuration mode.
Step 4	isdn v110 only [databits {5 7 8}] [parity {even mark none odd space}] [stopbits {1 1.5 2}] Example: Router(config-if)# isdn v110 only databits 8 parity none stopbits 1	Selectively accepts incoming V.110 calls based on data bit, parity, and stop bit modem communication settings.
Step 5	end Example: Router(config)# end	Exits global configuration mode.

Disabling V.110 Padding

Perform this task to disable V.110 padding. In networks with devices such as terminal adapters (TAs) and global system for mobile communication (GSM) handsets that do not fully conform to the V.110 modem standard, you will need to disable V.110 padding.

SUMMARY STEPS

1. **enable**
2. **configure terminal**
3. **interface bri *number***
4. **no isdn v110 padding**
5. **end**

DETAILED STEPS

	Command or Action	Purpose
Step 1	enable Example: Router> enable	Enables privileged EXEC mode. <ul style="list-style-type: none"> Enter your password if prompted.
Step 2	configure terminal Example: Router# configure terminal	Enters global configuration mode.
Step 3	interface bri number Example: Router(config)# interface BRI 0	Specifies the interface and enters interface configuration mode.
Step 4	no isdn v110 padding Example: Router(config-if)# no isdn v110 padding	Disables the padded modem speed report required by the V.110 modem standard.
Step 5	end Example: Router(config)# end	Exits interface configuration mode and returns to global configuration mode.

Configuring ISDN Semipermanent Connections

German networks allow semipermanent connections between customer routers with BRI interfaces and the 1TR6 basic rate switches in the exchange. Australian networks allow semipermanent connections between ISDN PRI interfaces and the TS-014 primary rate switches in the exchange. Semipermanent connections are better priced than leased lines.

Configuring BRI interfaces for semipermanent connection requires only a keyword that indicates the semipermanent connections when you are setting up network addressing as described in the previous section of this module.

To configure a BRI for semipermanent connections, follow this procedure:

-
- Step 1** Set up the ISDN lines and ports as described in the sections [“Configuring the ISDN BRI Switch”](#) and [“Specifying Interface Characteristics for an ISDN BRI”](#). For ISDN PRI, see the section [“How to Configure ISDN PRI”](#) in the module [“Configuring ISDN PRI”](#).
- Step 2** Configure DDR on a selected interface, as described in the [“Dial-on-Demand Routing Configuration”](#) part of this publication.

SUMMARY STEPS

- enable**
- configure terminal**
- interface bri number**

4. **dialer map** *protocol next-hop-address name hostname spc [speed 56 | 64] [broadcast] dial-string[:isdn-subaddress]*
5. **end**

DETAILED STEPS

	Command or Action	Purpose
Step 1	enable Example: Router> enable	Enables privileged EXEC mode. <ul style="list-style-type: none"> • Enter your password if prompted.
Step 2	configure terminal Example: Router# configure terminal	Enters global configuration mode.
Step 3	interface bri <i>number</i> Example: Router(config)# interface BRI 0	Specifies the interface and begins interface configuration mode.
Step 4	dialer map <i>protocol next-hop-address name hostname spc [speed 56 64] [broadcast] dial-string[:isdn-subaddress]</i> Example: Router(config-if)# dialer map ip 172.19.1.8 name user1 spc 64 [broadcast] zzz 14155550134	Defines the remote recipient's protocol address, host name, and dialing string; indicates semipermanent connections; optionally, provides the ISDN subaddress; and sets the dialer speed to 56 or 64 kb/s, as needed.
Step 5	end Example: Router(config)# end	Exits interface configuration mode and returns to global configuration mode.

Configuring ISDN BRI for Leased-Line Service

To configure ISDN BRI for leased-line service, perform the tasks in one of the following sections as needed and available:

- [Configuring Leased-Line Service at Normal Speeds](#) (Available in Japan and Germany)
- [Configuring Leased-Line Service at 128 Kb/s](#) (Available only in Japan)



Note

When an ISDN BRI interface is configured for access over leased lines, it is no longer a dialer interface, and signaling over the D channel no longer applies. Although the interface is called **interface bri n**, it is configured as a synchronous serial interface having the default High-Level Data Link (HDLC) encapsulation. However, the Cisco IOS commands that set the physical characteristics of a serial interface (such as the pulse time) do not apply to this interface.

Configuring Leased-Line Service at Normal Speeds

This service is offered in Japan and Germany and no call setup or teardown is involved. Data is placed on the ISDN interface similar to the way data is placed on a leased line connected to a serial port.

The **isdn leased-line bri** command enable the router to configure the BRI to use the ISDN connection as a leased-line service. The **no isdn leased-line bri command** removes the leased-line configuration from a specified ISDN BRI interface.

SUMMARY STEPS

1. **enable**
2. **configure terminal**
3. **isdn leased-line bri** *number number* [128 | 144]
4. **end**

DETAILED STEPS

	Command or Action	Purpose
Step 1	enable Example: Router> enable	Enables privileged EXEC mode. <ul style="list-style-type: none">Enter your password if prompted.
Step 2	configure terminal Example: Router# configure terminal	Enters global configuration mode.
Step 3	isdn leased-line bri <i>number number</i> [128 144] Example: Router(config)# isdn leased-line BRI 0 123 [128 144]	Specifies the combined B1 and B2 channels leased lines.
Step 4	end Example: Router(config)# end	Exits global configuration mode.

Configuring Leased-Line Service at 128 Kb/s

The Cisco IOS software supports leased-line service at 128 kb/s via ISDN BRI. This service combines two B channels into a single pipe. This feature requires one or more ISDN BRI hardware interfaces that support channel aggregation, and service provider support for ISDN channel aggregation at 128 kb/s. When this software first became available, service providers offered support for ISDN channel aggregation at 128 kb/s only in Japan.

The **isdn leased-line bri** commands enable the router to configure the BRI to use the ISDN connection as a leased-line service at 128kb/s.

**Note**

This feature is not supported on the Cisco 2500 series router because its BRI hardware does not support channel aggregation.

The **no isdn leased-line bri command** command removes the leased-line configuration from a specified ISDN BRI interface.

SUMMARY STEPS

- enable**
- configure terminal**
- isdn leased-line bri** *number 128*
- end**

DETAILED STEPS

	Command or Action	Purpose
Step 1	enable Example: Router> enable	Enables privileged EXEC mode. <ul style="list-style-type: none">• Enter your password if prompted.
Step 2	configure terminal Example: Router# configure terminal	Enters global configuration mode.
Step 3	isdn leased-line bri number 128 Example: Router(config)# isdn leased-line BRI 0 128	Configures a specified BRI for access over leased lines.
Step 4	end Example: Router(config)# end	Exits global configuration mode.

To complete the configuration of the interface, see the module “Configure Synchronous Serial Ports” in this module.

Monitoring and Maintaining ISDN Interfaces

The **show interfaces**, **show controllers**, **show isdn**, and the **show dialer interface bri** commands enable the router to monitor and maintain ISDN interfaces, use the following commands in EXEC mode as needed:

SUMMARY STEPS

1. **enable**
2. **show interfaces bri number**
3. **show controllers bri number**
4. **show isdn { active | history | memory | status | timers }**
5. **show dialer interface bri number**
6. **end**

DETAILED STEPS

	Command or Action	Purpose
Step 1	<p>enable</p> <p>Example: Router> enable</p>	<p>Enables privileged EXEC mode.</p> <ul style="list-style-type: none"> Enter your password if prompted.
Step 2	<p>show interfaces bri number</p> <p>Cisco 7200 series routers only show interfaces bri slot/port</p> <p>Example: show interfaces bri 0</p> <p>Cisco 7200 series routers only Router> show interfaces bri slot/port</p>	<p>Displays information about the physical attributes of the ISDN BRI B and D channels.</p>
Step 3	<p>show controllers bri number</p> <p>Cisco 7200 series routers only show controllers bri slot/port</p> <p>Example: Router> show controllers bri 0</p> <p>Cisco 7200 series routers only Router> show controllers bri 0</p>	<p>Displays protocol information about the ISDN B and D channels.</p>
Step 4	<p>show isdn {active history memory status timers}</p> <p>Example: Router> show isdn active</p>	<p>Displays information about calls, history, memory, status, and Layer 2 and Layer 3 timers.</p>
Step 5	<p>show dialer interface bri number</p> <p>Example: Router> show dialer interface bri 0</p>	<p>Obtains general diagnostic information about the specified interface.</p>
Step 6	<p>end</p> <p>Example: Router(config)# end</p>	<p>Exits global configuration mode.</p>

Troubleshooting ISDN Interfaces

The following commands can help verify the ISDN configuration of the router:

- show controllers bri number**—Checks Layer 1 (physical layer) of the BRI.
- debug q921**—Checks Layer 2 (data link layer).
- debug isdn events**—Checks the network layer.
- debug q931**—Checks the network layer.

- **debug dialer**—Checks the network layer.
- **show dialer**—Checks the network layer.

Refer to the *Cisco IOS Debug Command Reference* for more information about the **debug** commands.

Configuration Examples for Configuring ISDN BRI

This section provides the following ISDN BRI configuration examples:

- [Example: Configuring a Global ISDN and BRI Interface Switch Type, page 455](#)
- [Example: Configuring a BRI Connected to a PBX, page 455](#)
- [Example: Configuring Multilink PPP on a BRI Interface, page 456](#)
- [Example: Configuring Dialer Rotary Groups, page 456](#)
- [Example: Configuring Predictor Compression, page 456](#)
- [Example: Configuring Multilink PPP and Compression, page 458](#)
- [Example: Configuring Voice over ISDN, page 458](#)
- [Example: DNIS-plus-ISDN-Subaddress Binding, page 458](#)
- [Example: Screening Incoming V.110 Modem Calls, page 459](#)
- [Example: ISDN BRI Leased-Line Configuration, page 459](#)

Example: Configuring a Global ISDN and BRI Interface Switch Type

The following example shows to configure a global National ISDN switch type (keyword **basic-ni**) and an interface-level NET3 ISDN switch type (keyword **basic-net3**). The **basic-net3** keyword is applied to BRI interface 0 and overrides the global switch setting.

```
isdn switch-type basic-ni
!
interface bri 0
 isdn switch-type basic-net3
```

Example: Configuring a BRI Connected to a PBX

The following example provides a simple partial configuration of a BRI interface that is connected to a PBX. This interface is connected to a switch that uses SPID numbers.

```
interface bri 0
 description connected to pbx line 61885
 ip address 10.1.1.3 255.255.255.0
 encapsulation ppp
 isdn spid1 123
 dialer map ip 10.1.1.1 name mutter 61886
 dialer map ip 10.1.1.2 name rudder 61884
 dialer map ip 10.1.1.4 name flutter 61888
 dialer-group 1
 no fair-queue
 ppp authentication chap
```

Example: Configuring Multilink PPP on a BRI Interface

The following example shows how to enable Multilink PPP on BRI interface 0:

```
interface bri 0
  description Enables PPP Multilink on BRI 0
  ip address 10.1.1.1 255.255.255.0
  encapsulation ppp
  dialer map ip 10.1.1.2 name coaster 14195291357
  dialer map ip 10.1.1.3 name roaster speed 56 14098759854
  ppp authentication chap
  ppp multilink
  dialer-group 1
```

Example: Configuring Dialer Rotary Groups

The following example shows how to configure BRI interfaces to connect into a rotary group (using the **dialer-group** command). It also shows how to configure a dialer interface for that dialer group. This configuration permits IP packets to trigger calls.

```
interface BRI 0
  description connected into a rotary group
  encapsulation ppp
  dialer rotary-group 1

interface BRI 1
  no ip address
  encapsulation ppp
  dialer rotary-group 1

interface BRI 2
  encapsulation ppp
  dialer rotary-group 1

interface BRI 3
  no ip address
  encapsulation ppp
  dialer rotary-group 1

interface BRI 4
  encapsulation ppp
  dialer rotary-group 1

interface Dialer 0
  description Dialer group controlling the BRIs
  ip address 10.1.1.1 255.255.255.0
  encapsulation ppp
  dialer map ip 10.1.1.2 name angus 14802616900
  dialer-group 1
  ppp authentication chap

dialer-list 1 protocol ip permit
```

Example: Configuring Predictor Compression

The following example shows how to enable predictor compression on BRI interface 0:

```
interface bri 0
  description Enables predictor compression on BRI 0
```

```
ip address 10.1.1.1 255.255.255.0
encapsulation ppp
dialer map ip 10.1.1.2 name bon 14195291357
compress predictor
ppp authentication chap
dialer-group 1
```

The following example shows how to enable stacker compression on BRI interface 0:

```
interface bri 0
description Enables stac compression on BRI 0
ip address 10.1.1.1 255.255.255.0
encapsulation ppp
dialer map ip 10.1.1.2 name malcom 14195291357
compress stac
ppp authentication chap
dialer-group 1
```

Example: Configuring Multilink PPP and Compression

The following example shows how to enable Multilink PPP and stacker compression on BRI interface 0:

```
interface bri 0
  description Enables PPP Multilink and stac compression on BRI 0
  ip address 10.1.1.1 255.255.255.0
  encapsulation ppp
  dialer map ip 10.1.1.2 name rudd 14195291357
  ppp authentication chap
  compress stac
  ppp multilink
  dialer-group 1
```

Example: Configuring Voice over ISDN

The following example shows how to allow incoming voice calls to be answered on BRI interface 0:

```
interface bri 0
  description Allows incoming voice calls to be answered on BRI 0
  ip address 10.1.1.1 255.255.255.0
  encapsulation ppp
  isdn incoming-voice data
  dialer map ip 10.1.1.2 name starstruck 14038182344
  ppp authentication chap
  dialer-group 1
```

The following example shows how to allow outgoing voice calls on BRI interface 1:

```
interface bri1
  description Places an outgoing call as a voice call on BRI 1
  ip address 10.1.1.1 255.255.255.0
  encapsulation ppp
  dialer map ip 10.1.1.2 name angus class calltype 19091238877
  ppp authentication chap
  dialer-group 1

map-class dialer calltype
  dialer voice-call
```

For more configuration examples of voice calls over ISDN, refer to the *Cisco IOS Voice, Video, and Fax Configuration Guide*.

Example: DNIS-plus-ISDN-Subaddress Binding

The following example shows how to configure a dialer profile for a receiver with DNIS 12345 and ISDN subaddress 6789:

```
dialer called 12345:6789
```

For additional configuration examples, see the sections [“Dynamic Multiple Encapsulations”](#) and [“Verifying the Dynamic Multiple Encapsulations Feature”](#) in the module [“Configuring Peer-to-Peer DDR with Dialer Profiles”](#) of this publication.

Example: Screening Incoming V.110 Modem Calls

The following example shows to filter out all V.110 modem calls except those with communication settings of 8 data bits, no parity bit, and 1 stop bit:

```
interface serial 0:23
  isdn v110 only databits 8 parity none stopbits 1
```

Example: ISDN BRI Leased-Line Configuration

The following example shows how to configure BRI interface 0 for leased-line access at 128 kb/s. Because of the leased-line—not dialed—environment configuration of ISDN called and calling numbers are not needed and not used. BRI interface 0 is henceforth treated as a synchronous serial interface, with the default HDLC encapsulation.

```
isdn leased-line 128
```

Additional References

Related Documents

Related Topic	Document Title
Modem configuration commands: complete command syntax, command mode, command history, defaults, usage guidelines, and examples	Cisco IOS Dial Technologies Command Reference
Modem configuration and management	Cisco IOS Dial Technologies Configuration Guide

Standards

Standard	Title
None	—

MIBs

MIB	MIBs Link
No new or modified MIBs are supported, and support for existing MIBs has not been modified.	To locate and download MIBs for selected platforms, Cisco software releases, and feature sets, use Cisco MIB Locator found at the following URL: http://www.cisco.com/go/mibs

RFCs

RFC	Title
No new or modified RFCs are supported, and support for existing RFCs has not been modified.	

Technical Assistance

Description	Link
The Cisco Support and Documentation website provides online resources to download documentation, software, and tools. Use these resources to install and configure the software and to troubleshoot and resolve technical issues with Cisco products and technologies. Access to most tools on the Cisco Support and Documentation website requires a Cisco.com user ID and password.	http://www.cisco.com/cisco/web/support/index.html

Feature Information for Configuring ISDN BRI

Table 4 lists the release history for this feature.

Use Cisco Feature Navigator to find information about platform support and software image support. Cisco Feature Navigator enables you to determine which software images support a specific software release, feature set, or platform. To access Cisco Feature Navigator, go to <http://www.cisco.com/go/cfn>. An account on Cisco.com is not required.



Note

Table 4 lists only the software release that introduced support for a given feature in a given software release train. Unless noted otherwise, subsequent releases of that software release train also support that feature.

Table 4 Feature Information for Modem Signal and Line State

Feature Name	Releases	Feature Information
National ISDN Switch Types for BRI and PRI Interfaces	11.3(3)T 12.0(1) 12.0(1)T 12.1(14) 12.1(3)T 12.2(11)YT 12.2(11)YV 12.2(13)T 12.2(15)T 12.2(2)T 12.2(8)T 12.5 12.4T 12.2SR 15.1.(1)S	The National ISDN Switch Types for Basic Rate and Primary Rate Interfaces feature introduces changes to ISDN switch types for Primary Rate Interfaces (PRI) and BRI. These switches provide the ability to connect to multiple ISDN switch types (BRI and PRI) and the NI2 switch type. The following commands were introduced or modified: dialer called, dialer map, isdn calling-number, isdn disconnect-cause, isdn fast-rollover-delay, isdn leased-line type, isdn not-end-to-end, isdn sending complete, isdn v10 only, no isdn v10 padding, show controllers show isdn, show dialer interface bri, show interfaces.

Cisco and the Cisco Logo are trademarks of Cisco Systems, Inc. and/or its affiliates in the U.S. and other countries. A listing of Cisco's trademarks can be found at www.cisco.com/go/trademarks. Third party trademarks mentioned are the property of their respective owners. The use of the word partner does not imply a partnership relationship between Cisco and any other company. (1005R)

Any Internet Protocol (IP) addresses and phone numbers used in this document are not intended to be actual addresses and phone numbers. Any examples, command display output, network topology diagrams, and other figures included in the document are shown for illustrative purposes only. Any use of actual IP addresses or phone numbers in illustrative content is unintentional and coincidental.

© 2003–2010 Cisco Systems, Inc. All rights reserved.



Leased and Switched BRI Interfaces for ETSI NET3

Feature History

Release	Modification
12.2(4)T	This feature was introduced on the Cisco 800 series routers.

This document describes the Leased and Switched BRI Interfaces for ETSI NET3 feature. It includes the following sections:

- [Feature Overview, page 455](#)
- [Supported Platforms, page 456](#)
- [Supported Standards, MIBs, and RFCs, page 457](#)
- [Prerequisites, page 457](#)
- [Configuration Tasks, page 457](#)
- [Monitoring and Maintaining Leased and Switched BRI Interfaces for ETSI NET3, page 459](#)
- [Configuration Examples, page 459](#)
- [Command Reference, page 460](#)

Feature Overview

In most BRI configurations, both B channels of a leased-line service are used as point-to-point leased lines with the D channel disabled. Data transmission over the B channels is no different than data transmission over point-to-point leased lines.

A new feature available in Cisco IOS Release 12.2(4)T, Leased and Switched BRI Interfaces for ETSI NET3, allows one BRI B channel on a European Telecommunications Standards Institute (ETSI) NET3 switch to be configured as a leased line, and the second B channel to be configured as a standard ISDN or dial interface and used as a switched channel to the Public Switched Telephone Network (PSTN). When the Leased and Switched BRI Interfaces for ETSI NET3 feature is configured, one B channel functions as a point-to-point 64-kbps leased line and the other B channel functions as a circuit-switched channel using the D channel to provide the signaling features available for the ETSI NET3 signaling protocol.



Benefits

The Leased and Switched BRI Interfaces for ETSI NET3 feature allows Internet service providers to split one ISDN line into a leased-line interface and a dialer interface, thereby increasing connection capability without increasing cost.

Restrictions

The following restrictions apply to the Leased and Switched BRI Interfaces for ETSI NET3 feature:

- Only the ETSI NET3 signaling protocol is supported at a line speed of 64 kbps.
- Only one ISDN call can be active at any time, and the call must verify that the leased line is not used to bring up a second call.
- The ETSI NET3 switch cannot be configured for a leased line when the U interface is used instead of the S/T interface; doing so prevents the line protocol from coming up.

Related Documents

- *Cisco IOS Dial Technologies Command Reference*, Release 12.2
- *Cisco IOS Dial Technologies Configuration Guide*, “ISDN Configuration” part, Release 12.2

Supported Platforms

- Cisco 800 series

Platform Support Through Feature Navigator

Cisco IOS software is packaged in feature sets that support specific platforms. To get updated information regarding platform support for this feature, access Feature Navigator. Feature Navigator dynamically updates the list of supported platforms as new platform support is added for the feature.

Feature Navigator is a web-based tool that enables you to quickly determine which Cisco IOS software images support a specific set of features and which features are supported in a specific Cisco IOS image.

To access Feature Navigator, you must have an account on Cisco.com. If you have forgotten or lost your account information, send a blank e-mail to cco-locksmith@cisco.com. An automatic check will verify that your e-mail address is registered with Cisco.com. If the check is successful, account details with a new random password will be e-mailed to you. Qualified users can establish an account on Cisco.com by following the directions at <http://www.cisco.com/register>.

Feature Navigator is updated when major Cisco IOS software releases and technology releases occur. As of May 2001, Feature Navigator supports M, T, E, S, and ST releases. You can access Feature Navigator at the following URL:

<http://www.cisco.com/go/fn>

Supported Standards, MIBs, and RFCs

Standards

None

MIBs

The fillin_isdnBearerEntry() – isdnBearerTable manipulation MIB function is supported. See the “RFCs” section for more information.

To obtain lists of supported MIBs by platform and Cisco IOS release, and to download MIB modules, go to the Cisco MIB website on Cisco.com at the following URL:

<http://www.cisco.com/public/sw-center/netmgt/cmtk/mibs.shtml>

RFCs

- RFC 2127, *ISDN Management Information Base using SMIV2*

RFC 2127 states that the following be reported for the leased line B channel: The isdnBearerTable MIB entry for the leased line B channel will need to be altered, specifically the value of isdnBearerChannelType MIB will be set to leased(2). This alteration involves a function in isdn/sr_ietf_isdmib.c, namely the fillin_isdnBearerEntry() — isdnBearerTable manipulation MIB function.

- RFC 1573, *Evolution of the Interfaces Group of MIB-II*

RFC 1573 makes no explicit mention of changes to the ifEntry for a B channel set to leased line. It is proposed that the ifAdminStatus and ifOperStatus functions remain in the UP(1) state.

Prerequisites

Before starting the configuration tasks in this document, review the chapter “Configuring ISDN BRI” and the section “Configuring ISDN BRI for Leased-Line Service,” for more complete details on configuring a BRI. This chapter is in the part “ISDN Configuration” in the *Cisco IOS Dial Technologies Configuration Guide*, Release 12.2.

Configuration Tasks

See the following sections for configuration tasks for the Leased and Switched BRI Interfaces for ETSI NET3 feature. Each task in the list is identified as either required or optional:

- [Configuring Leased and Switched BRI Interfaces for ETSI NET3](#) (required)
- [Verifying Leased and Switched BRI Interfaces for ETSI NET3](#) (optional)

Configuring Leased and Switched BRI Interfaces for ETSI NET3

To configure a BRI for both an ISDN connection and leased-line service, use the following commands in global configuration mode:

	Command	Purpose
Step 1	Router(config)# isdn switch-type basic-net3	Configures the ETSI NET3 BRI switch type.
Step 2	Router(config)# isdn leased-line bri number/number {b1 b2}	Splits a line for both ISDN and 64-kbps leased-line service.

Verifying Leased and Switched BRI Interfaces for ETSI NET3



Note

In the following verification procedure, BRI channel B1 (the BRI0:1 interface) is configured for leased-line service and channel B2 (the BRI0:2 interface) is configured for ISDN.

To verify that each BRI channel is configured correctly, perform the following steps:

- Step 1** Enter the **show isdn status EXEC** command and check the value in The Free Channel Mask field to verify that only one channel has been allocated for ISDN. The Free Channel Mask field displays 0x80000000 when there is an active call. If no call is active, The Free Channel Mask field displays 0x80000001 and 0x80000002 for the B1 and B2 leased line configurations, respectively.

```
Router# show isdn status

Global ISDN Switchtype = basic-net3
ISDN BRI0 interface
    dsl 0, interface ISDN Switchtype = basic-net3
    Layer 1 Status:
        ACTIVE
    Layer 2 Status:
        TEI = 124, Ces = 1, SAPI = 0, State = MULTIPLE_FRAME_ESTABLISHED
        I_Queue_Len 0, UI_Queue_Len 0
    Layer 3 Status:
        1 Active Layer 3 Call(s)
        CCB:callid=8001, sapi=0, ces=1, B-chan=2, calltype=DATA
    Active dsl 0 CCBs = 1
    The Free Channel Mask: 0x80000000
    Total Allocated ISDN CCBs = 1
```

- Step 2** Enter the **show dialer EXEC** command to display dialer interface statistics. Check that there is no entry for the BRI0:1 interface in the display:

```
Router# show dialer

BRI0 - dialer type = ISDN

Dial String      Successes  Failures  Last DNIS  Last status
0 incoming call(s) have been screened.
0 incoming call(s) rejected for callback.

BRI0:2 - dialer type = ISDN
Idle timer (120 secs), Fast idle timer (20 secs)
Wait for carrier (30 secs), Re-enable (15 secs)
Dialer state is idle

Di1 - dialer type = DIALER PROFILE
Idle timer (6000 secs), Fast idle timer (20 secs)
Wait for carrier (30 secs), Re-enable (15 secs)
Dialer state is idle
```


Number of active calls = 0

Dial String	Successes	Failures	Last DNIS	Last status	Default
5552000	0	0	never	-	Default

Troubleshooting Tips

To test the BRI configurations, use the following commands in EXEC mode, as needed:

Command	Purpose
Router# show controllers bri number	Checks Layer 1 of the BRI.
Router# debug q921	Checks Layer 2 of the BRI.
Router# debug dialer	Checks dialer events on the BRI.
Router# debug isdn events	Checks call control events on the BRI.
Router# debug q931	Checks Layer 3 of the BRI.

Refer to the *Cisco IOS Debug Command Reference* for more information about the **debug** commands.

Monitoring and Maintaining Leased and Switched BRI Interfaces for ETSI NET3

To monitor and maintain the BRI configurations, use the following commands in EXEC mode, as needed:

Command	Purpose
Router# show isdn status	Displays Layer 1, Layer 2, and Layer 3 status of the D channel and channel mask information.
Router# show interfaces bri x:y status	Displays status of the ISDN BRI channel configured as either a leased line or dialer B-channel interface.
Router# show dialer	Displays status of the ISDN BRI channel configured as a dialer interface.

Configuration Examples

This section provides an example of how to configure the Leased and Switched BRI Interfaces for ETSI NET3 feature.

Leased and Switched BRI Interfaces for ETSI NET3 Example

The following example configures BRI channel B2 for 64-kbps leased-line service and channel B1 for ISDN service:

```
isdn leased-line bri0/0 b2
!
interface bri0/0
 ip address 10.1.1.1 255.255.255.0
 no ip address
 dialer pool-member 1

interface bri0/0:2
 ip address 10.1.1.2 255.255.255.0
 encapsulation ppp
 no ip address
```

Command Reference

The following commands are introduced or modified in the feature or features documented in this module. For information about these commands, see the *Cisco IOS Dial Technologies Command Reference* at http://www.cisco.com/en/US/docs/ios/dial/command/reference/dia_book.html. For information about all Cisco IOS commands, go to the Command Lookup Tool at <http://tools.cisco.com/Support/CLILookup> or to the *Cisco IOS Master Commands List*.

- **isdn leased-line bri**

Glossary

European Telecommunications Standards Institute—See ETSI.

ETSI—European Telecommunications Standards Institute. Organization created by European Post, Telephone, and Telegraph (PTT) groups and the European Community (EC) to propose telecommunications standards for Europe.

leased line—Transmission line reserved by a communications carrier for the private use of a customer.

switched—General term applied to an electronic or mechanical device that allows a connection to be established as necessary and terminated when there is no longer a session to support.

Cisco and the Cisco Logo are trademarks of Cisco Systems, Inc. and/or its affiliates in the U.S. and other countries. A listing of Cisco's trademarks can be found at www.cisco.com/go/trademarks. Third party trademarks mentioned are the property of their respective owners. The use of the word partner does not imply a partnership relationship between Cisco and any other company. (1005R)

Any Internet Protocol (IP) addresses used in this document are not intended to be actual addresses. Any examples, command display output, and figures included in the document are shown for illustrative purposes only. Any use of actual IP addresses in illustrative content is unintentional and coincidental.

© 2001-2008 Cisco Systems, Inc. All rights reserved.



ISDN BCAC and Round-Robin Channel Selection Enhancements

The ISDN BCAC and Round-Robin Channel Selection Enhancements feature allows more dynamic control of the ISDN B channels by providing additional B-Channel Availability Control (BCAC) functionality for configuring message signaling, and an enhanced channel selection scheme that adds round-robin configuration to the existing ascending and descending channel selection schemes already available.

Feature Specifications for the ISDN BCAC Enhancements

Feature History

Release	Modification
12.3(1)	This feature was introduced.

Supported Platforms

Cisco AS5300, Cisco AS5350, Cisco AS5400, Cisco AS5800, Cisco AS5850, Cisco 2600 series, Cisco 3640, Cisco 3660

Finding Support Information for Platforms and Cisco IOS Software Images

Use Cisco Feature Navigator to find information about platform support and Cisco IOS software image support. Access Cisco Feature Navigator at <http://www.cisco.com/go/fn>. You must have an account on Cisco.com. If you do not have an account or have forgotten your username or password, click **Cancel** at the login dialog box and follow the instructions that appear.

Contents

- [Prerequisites for ISDN BCAC Enhancements, page 464](#)
- [Information About the ISDN BCAC and Round-Robin Channel Selection Enhancements, page 464](#)
- [How to Configure the ISDN Enhancements, page 465](#)
- [Configuration Examples for ISDN BCAC and Round-Robin Channel Selection Enhancements, page 471](#)
- [Additional References, page 471](#)



Americas Headquarters:
Cisco Systems, Inc., 170 West Tasman Drive, San Jose, CA 95134-1706 USA

- [Command Reference, page 473](#)

Prerequisites for ISDN BCAC Enhancements

You need to be familiar with the BCAC service message signaling procedure and configuring ISDN PRI before configuring the commands described in this document. See the “Standards” section on [page 472](#) for a list of references.

Information About the ISDN BCAC and Round-Robin Channel Selection Enhancements

The following functionality is introduced in the ISDN BCAC and Round-Robin Channel Selection Enhancements:

- [BCAC Enhancements, page 464](#)
- [Round-Robin Selection Scheme for ISDN B Channels, page 465](#)
- [Logging of ISDN Events, page 465](#)
- [Additional ISDN Switch Types Supported for Network Emulation, page 465](#)

BCAC Enhancements

BCAC is a service message signaling procedure used to control the availability of ISDN B channels. BCAC provides a coordinated capability between both ends of a PRI to simultaneously preclude selection of specified B channels for outgoing calls, and reject calls (if channel negotiation is employed, calls may go on another channel) for those same channels. The basic BCAC functionality for the handling of SERV and SERV ACK messages already exists on Cisco routers. In Cisco IOS Release 12.3(1), the software has been enhanced with the following BCAC functionality:

- Processing of SERV and SERV ACK messages. Even though these messages are already handled in the Cisco IOS software, their processing has been enhanced to more closely align with the behavior described in the standards.
- Provides a mechanism to allow the retransmission of SERV messages.
- Handles SERV message collision cases.
- Provides service status audits for various audit triggers.
- Provides an option that when set triggers the exchange of service messages on all channels of the interface when the router is rebooted and when the signaling link comes up.
- Provides a mechanism so that if there is a flood of service messages that need to be sent, the service messages can be throttled to avoid losing them.
- Initializes B-channel service status upon provisioning.

Round-Robin Selection Scheme for ISDN B Channels

ISDN enhancements introduced in Cisco IOS Release 12.3(1) enable you to select a B channel on a PRI or a Non-Facility Associated Signaling (NFAS) interface in a round-robin fashion. This option is in addition to the ascending or descending channel selection schemes already available.

Logging of ISDN Events

ISDN enhancements introduced in Cisco IOS Release 12.3(1) support syslog logging of the following ISDN events:

- ISDN Layer 2 Up and Down events at severity 3.
- ISDN SERV, SERV ACK, RESTART, RESTART ACK, and STATUS ENQ messages at severity 4.
- ISDN SERV status audit messages for various triggers at different severities.

Additional ISDN Switch Types Supported for Network Emulation

ISDN enhancements introduced in Cisco IOS Release 12.3(1) extend network emulation capability to the Lucent 4ESS, 5ESS, and Nortel DMS-100 ISDN switch types. These switch types can be configured as network, but no additional changes were made and not all network-side features are supported.

How to Configure the ISDN Enhancements

This section contains the following procedures. Each procedure is optional and depends upon the settings required for your network.

- [Configuring BCAC Service Audit Triggers, page 465](#) (optional)
- [Configuring BCAC Service State Triggers, page 467](#) (optional)
- [Configuring BCAC Message Retransmission, page 468](#) (optional)
- [Configuring B-Channel Selection Order, page 469](#) (optional)
- [Configuring ISDN Syslog Messages, page 470](#) (optional)

Configuring BCAC Service Audit Triggers

Perform this task to configure BCAC service audit triggers:

SUMMARY STEPS

1. **enable**
2. **configure terminal**
3. **interface serial** *port:channel*
4. **isdn bcac service audit**
5. **isdn bcac service audit trigger** *number*
6. **isdn bcac service audit interface**

DETAILED STEPS

	Command or Action	Purpose
Step 1	enable Example: Router> enable	Enables privileged EXEC mode. <ul style="list-style-type: none"> Enter your password if prompted.
Step 2	configure terminal Example: Router# configure terminal	Enters global configuration mode.
Step 3	interface serial port:channel Example: Router(config)# interface serial 2:23	Enters interface configuration mode on the specified serial port and channel.
Step 4	isdn bcac service audit Example: Router(config-if)# isdn bcac service audit	Enables BCAC service audits.
Step 5	isdn bcac service audit trigger number Example: Router(config-if)# isdn bcac service audit trigger 2	Enables individual BCAC service audit triggers.
Step 6	isdn bcac service audit interface Example: Router(config-if)# isdn bcac service audit interface	Specifies that BCAC service audits need to be triggered on the entire interface.

Examples

The following example shows how to enable service audits on serial interface 4:23:

```
interface serial 4:23
 isdn bcac service audit
```

The following example shows how to disable service trigger 4 on serial interface 4:23:

```
interface serial 4:23
 no isdn bcac service audit trigger 4
```

See the command page for the **isdn bcac service audit trigger** command for a list of the triggers that are set.

The following example shows how to configure service audits on the entire interface:

```
interface serial 4:23
 isdn bcac service audit interface
```


Configuring BCAC Service State Triggers

Perform this task to configure BCAC service state triggers:

SUMMARY STEPS

1. **enable**
2. **configure terminal**
3. **interface serial** *port:channel*
4. **isdn bcac service update provision**
5. **isdn bcac service update linkup**

DETAILED STEPS

	Command or Action	Purpose
Step 1	enable Example: Router> enable	Enables privileged EXEC mode. <ul style="list-style-type: none"> • Enter your password if prompted.
Step 2	configure terminal Example: Router# configure terminal	Enters global configuration mode.
Step 3	interface serial <i>port:channel</i> Example: Router(config)# interface serial 2:23	Enters interface configuration mode on the specified serial port and channel.
Step 4	isdn bcac service update provision Example: Router(config-if)# isdn bcac service update provision	Enables BCAC service status functionality for provisioning the B channels.
Step 5	isdn bcac service update linkup Example: Router(config-if)# isdn bcac service update linkup	Triggers updates of the BCAC service states between peer nodes through exchange of SERV and SERV ACK messages.

Examples

The following example shows how to enable the SERV status message for provisioning the B channels on serial interface 4:23:

```
interface serial 4:23
 isdn bcac service update provision
```

The following example shows how to trigger service state updates on serial interface 4:23:

```
interface serial 4:23
 isdn bcac service update linkup
```

Configuring BCAC Message Retransmission

Perform this task to configure retransmission of BCAC service messages:

SUMMARY STEPS

1. **enable**
2. **configure terminal**
3. **interface serial** *port:channel*
4. **isdn bcac service timer** *timer-value*
5. **isdn bcac service retry max** *retries*
6. **isdn bcac service retry in-serv-on-fail**

DETAILED STEPS

	Command or Action	Purpose
Step 1	enable Example: Router> enable	Enables privileged EXEC mode. <ul style="list-style-type: none"> • Enter your password if prompted.
Step 2	configure terminal Example: Router# configure terminal	Enters global configuration mode.
Step 3	interface serial <i>port:channel</i> Example: Router(config)# interface serial 2:23	Enters interface configuration mode on the specified serial port and channel.
Step 4	isdn bcac service timer <i>timer-value</i> Example: Router(config-if)# isdn bcac service timer 600	Changes the value of the BCAC T3M1 or T323 service message timer. <ul style="list-style-type: none"> • Valid range is from 500 to 120000 ms, and the default is 120000 ms.
Step 5	isdn bcac service retry max <i>retries</i> Example: Router(config-if)# isdn bcac service retry max retries	Specifies the maximum number of times a BCAC service message can be retransmitted when unacknowledged. <ul style="list-style-type: none"> • The default is 2 attempts, and you can enter a number from 0 to 127.
Step 6	isdn bcac service retry in-serv-on-fail Example: Router(config-if)# isdn bcac service retry in-serv-on-fail	Specifies that the BCAC service state of the channel needs to be changed to In-Service, because no acknowledgment message was received.

Examples

The following example shows how to configure an option whereby, on service message exchange failure, the service state of the concerned channel or channels will be set to In-Service:

```
interface serial 2:23
 isdn bcac service retry in-serv-on-fail
```

The following example shows how to set the maximum number of service message retransmissions on serial interface 2:23 to 50:

```
interface serial 2:23
 isdn bcac service retry max 50
```

The following example shows how to change the service timers to 600 ms on serial interface 2:23:

```
interface serial 2:23
 isdn bcac service timer 600
```

Configuring B-Channel Selection Order

Perform this task to configure selection order of the ISDN B channels:

SUMMARY STEPS

1. **enable**
2. **configure terminal**
3. **interface serial** *port:channel*
4. **isdn bchan-number-order** {ascending | descending} [round-robin]

DETAILED STEPS

	Command or Action	Purpose
Step 1	enable Example: Router> enable	Enables privileged EXEC mode. <ul style="list-style-type: none">• Enter your password if prompted.
Step 2	configure terminal Example: Router# configure terminal	Enters global configuration mode.

	Command or Action	Purpose
Step 3	<code>interface serial port:channel</code> Example: Router(config)# interface serial 2:23	Enters interface configuration mode on the specified serial port and channel.
Step 4	<code>isdn bchan-number-order {ascending descending} [round-robin]</code> Example: Router(config-if)# isdn bchan-number-order ascending round-robin	Configures an ISDN PRI interface to make outgoing call selection in ascending or descending order. <ul style="list-style-type: none"> The optional round-robin keyword adds round-robin selection functionality to the selection order.

Examples

The following example configures the outgoing B channel selection order on a PRI interface to be round-robin in ascending order:

```
interface serial 5:10
 isdn bchan-number-order ascending round-robin
```

Configuring ISDN Syslog Messages

Perform this task to configure logging of ISDN syslog messages:

SUMMARY STEPS

1. **enable**
2. **configure terminal**
3. **isdn logging**

DETAILED STEPS

	Command or Action	Purpose
Step 1	<code>enable</code> Example: Router> enable	Enables privileged EXEC mode. <ul style="list-style-type: none"> Enter your password if prompted.
Step 2	<code>configure terminal</code> Example: Router# configure terminal	Enters global configuration mode.
Step 3	<code>isdn logging</code> Example: Router(config)# isdn logging	Enables logging of ISDN syslog messages.

Examples

The following example shows how to configure ISDN syslog logging:

```
isdn logging
```

Configuration Examples for ISDN BCAC and Round-Robin Channel Selection Enhancements

See the examples following each task in the preceding sections, for ideas about how the ISDN CBAC enhancements and other new ISDN features can be introduced into your network.

Additional References

For additional information related to the ISDN enhancements, see the following sections:

- [Related Documents, page 472](#)
- [Standards, page 472](#)
- [MIBs, page 472](#)
- [RFCs, page 472](#)
- [Technical Assistance, page 473](#)

Related Documents

Related Topic	Document Title
ISDN PRI configuration	Refer to the “ <i>Configuring ISDN PRI</i> ” chapter in the “ <i>Signaling Configuration</i> ” part of the <i>Cisco IOS Dial Technologies Configuration Guide</i> , Release 12.3.
ISDN PRI configuration commands	<i>Cisco IOS Dial Technologies Command Reference</i> , Release 12.3.
ISDN PRI configuration for voice, video, and fax	Refer to the chapter “ <i>Configuring ISDN Interfaces for Voice</i> ” in the <i>Cisco IOS Voice, Video, and Fax Configuration Guide</i> , Release 12.3.
ISDN PRI voice, video, and fax configuration commands	<i>Cisco IOS Voice, Video, and Fax Command Reference</i> , Release 12.3.

Standards

Standards ¹	Title
AT&T PRI	Technical Report 41459– <i>AT&T ISDN Primary Rate Interface and Special Application Specification</i> ; “ <i>User Network Interface Description</i> ,” 1999.
National ISDN Council (NIC) PRI	SR (Special Report)–NWT-002343– <i>ISDN Primary Rate Interface Generic Guidelines for Customer Premises Equipment</i> , June 1993. SR-3887– <i>National ISDN Primary Rate Interface Customer Premises Equipment Generic Guidelines</i> , 1996.
Nortel PRI	NIS (Network Interface Specification)–A211-1– <i>DMS100 ISDN Primary Rate Network User Interface</i> , 1993.

1. Not all supported standards are listed.

MIBs

MIBs	MIBs Link
None	To obtain lists of supported MIBs by platform and Cisco IOS release, and to download MIB modules, go to the Cisco MIB website on Cisco.com at the following URL: http://www.cisco.com/public/sw-center/netmgmt/cmtk/mibs.shtml

RFCs

RFCs	Title
None	—

Technical Assistance

Description	Link
<p>The Cisco Support website provides extensive online resources, including documentation and tools for troubleshooting and resolving technical issues with Cisco products and technologies.</p> <p>To receive security and technical information about your products, you can subscribe to various services, such as the Product Alert Tool (accessed from Field Notices), the Cisco Technical Services Newsletter, and Really Simple Syndication (RSS) Feeds.</p> <p>Access to most tools on the Cisco Support website requires a Cisco.com user ID and password.</p>	<p>http://www.cisco.com/techsupport</p>

Command Reference

The following commands are introduced or modified in the feature or features documented in this module. For information about these commands, see the *Cisco IOS Dial Technologies Command Reference* at http://www.cisco.com/en/US/docs/ios/dial/command/reference/dia_book.html. For information about all Cisco IOS commands, go to the Command Lookup Tool at <http://tools.cisco.com/Support/CLILookup> or to the *Cisco IOS Master Commands List*.

New Commands

- **isdn bcac service audit**
- **isdn bcac service audit interface**
- **isdn bcac service audit trigger**
- **isdn bcac service retry in-serv-on-fail**
- **isdn bcac service retry max**
- **isdn bcac service timer**
- **isdn bcac service update linkup**
- **isdn bcac service update provision**
- **isdn logging**

Modified Commands

- **isdn bchan-number-order**
- **isdn protocol-emulate (dial)**

Glossary

PBX—private branch exchange.

RESTART—restart message.

RESTART ACK—restart acknowledge message.

STATUS ENQ—status enquiry message.

SERV—service message.

SERV ACK—service acknowledge message.

**Note**

Refer to the *Internetworking Terms and Acronyms* for terms not included in this glossary.

Cisco and the Cisco Logo are trademarks of Cisco Systems, Inc. and/or its affiliates in the U.S. and other countries. A listing of Cisco's trademarks can be found at www.cisco.com/go/trademarks. Third party trademarks mentioned are the property of their respective owners. The use of the word partner does not imply a partnership relationship between Cisco and any other company. (1005R)

Any Internet Protocol (IP) addresses and phone numbers used in this document are not intended to be actual addresses and phone numbers. Any examples, command display output, network topology diagrams, and other figures included in the document are shown for illustrative purposes only. Any use of actual IP addresses or phone numbers in illustrative content is unintentional and coincidental.

© 2001–2009 Cisco Systems, Inc. All rights reserved



Configuring Virtual Asynchronous Traffic over ISDN

Cisco IOS software offers two solutions to send virtual asynchronous traffic over ISDN:

- Using International Telecommunication Union Telecommunication Standardization Sector (ITU-T) Recommendation V.120, which allows for reliable transport of synchronous, asynchronous, or bit transparent data over ISDN bearer channels.
- Using ITU-T Recommendation X.75, which allows a system with an ISDN terminal adapter supporting asynchronous traffic over Link Access Procedure, Balanced (LAPB) to call into a router and establish an asynchronous PPP session. This method of asynchronous traffic transmission is also called ISDN Link Access Procedure, Balanced-Terminal Adapter (LAPB-TA).

A virtual asynchronous interface (also known as vty-async) is created on demand to support calls that enter the router through a nonphysical interface. For example, asynchronous character stream calls terminate or land on nonphysical interfaces. These types of calls include inbound Telnet, local-area transport (LAT), PPP over character-oriented protocols (such as V.120 or X.25), and LAPB-TA and packet assembler/disassembler (PAD) calls.

Virtual asynchronous interfaces are not user configurable; rather, they are dynamically created and torn down on demand. A virtual asynchronous line is used to access a virtual asynchronous interface. Refer to the section “[Virtual Asynchronous Interfaces](#)” in the chapter “[Overview of Dial Interfaces, Controllers, and Lines](#)” in this publication for more overview information about virtual asynchronous interfaces. Refer to the section “[Enabling Asynchronous Functions on Virtual Terminal Lines](#)” in the chapter “[Configuring Protocol Translation and Virtual Asynchronous Devices](#)” in the Cisco *IOS Terminal Services Configuration Guide*, for additional virtual asynchronous interface configuration information.

This chapter describes how to configure virtual asynchronous traffic over ISDN lines. It includes the following main sections:

- [Recommendation V.120 Overview](#)
- [How to Configure V.120 Access](#)
- [Configuration Example for V.120](#)
- [ISDN LAPB-TA Overview](#)
- [How to Configure ISDN LAPB-TA](#)
- [Configuration Example for ISDN LAPB-TA](#)



To identify the hardware platform or software image information associated with a feature, use the Feature Navigator on Cisco.com to search for information about the feature or refer to the software release notes for a specific release. For more information, see the “Identifying Supported Platforms” section in the “Using Cisco IOS Software” chapter.

For a complete description of the commands in this chapter, refer to the *Cisco IOS Dial Technologies Command Reference*. To locate documentation of other commands that appear in this chapter, use the command reference master index or search online.

Recommendation V.120 Overview

The V-series recommendations are ITU-T standards dealing with data communications over telephone networks. V.120 allows for reliable transport of synchronous, asynchronous, or bit transparent data over ISDN bearer channels. Cisco provides three V.120 support features for terminal adapters that do not send the low-layer compatibility fields or bearer capability V.120 information:

- Answer all incoming calls as V.120—Static configuration used when all remote users have asynchronous terminals and need to connect with a vty on the router.
- Automatically detect V.120 encapsulation—Encapsulation dynamically detected and set.
- Enable V.120 Support for Asynchronous Access over ISDN.

For terminal adapters that send the low-layer compatibility or bearer capability V.120 information, mixed V.120 and ISDN calls are supported. No special configuration is required.

How to Configure V.120 Access

To configure V.120 access, perform the tasks in the following sections:

- [Configuring Answering of All Incoming Calls as V.120](#) (Required)
- [Configuring Automatic Detection of Encapsulation Type](#) (Required)
- [Enabling V.120 Support for Asynchronous Access over ISDN](#) (Required)

See the section “[Configuration Example for V.120](#)” at the end of this chapter for an example of how to configure V.120 access.

Configuring Answering of All Incoming Calls as V.120

This V.120 support feature allows users to connect using an asynchronous terminal over ISDN terminal adapters with V.120 support to a vty on the router, much like a direct asynchronous connection. Beginning with Cisco IOS Release 11.1, this feature supports incoming calls only.

When all the remote users have asynchronous terminals and call in to a router through an ISDN terminal adapter that uses V.120 encapsulation but does not send the low-layer compatibility or bearer capability V.120 information, you can configure the interface to answer all calls as V.120. Such calls are connected with an available vty on the router.

To configure an ISDN BRI or PRI interface to answer all incoming calls as V.120, use the following commands beginning in global configuration mode:

	Command	Purpose
Step 1	<p>Cisco 4000 series routers only</p> <pre>Router(config)# interface bri number</pre> <p>OR</p> <p>Cisco 7200 series routers only</p> <pre>Router(config)# interface bri slot/port</pre>	Configures the ISDN BRI interface and begins interface configuration mode.
Step 2	<pre>Router(config)# interface serial e1 controller-number:15</pre> <p>OR</p> <pre>Router(config)# interface serial t1 controller-number:23</pre>	Configures the ISDN PRI D channel and begins interface configuration mode.
Step 3	<pre>Router(config-if)# isdn all-incoming-calls-v120</pre>	Configures the interface to answer all calls as V.120.

Configuring Automatic Detection of Encapsulation Type

If an ISDN call does not identify the call type in the lower-layer compatibility fields and is using an encapsulation that is different from the one configured on the interface, the interface can change its encapsulation type dynamically.

This feature enables interoperability with ISDN terminal adapters that use V.120 encapsulation but do not signal V.120 in the call setup message. An ISDN interface that by default answers a call as synchronous serial with PPP encapsulation can change its encapsulation and answer such calls.

Automatic detection is attempted for the first 10 seconds after the link is established or the first 5 packets exchanged over the link, whichever is first.

To enable automatic detection of V.120 encapsulation, use the following command in interface configuration mode:

Command	Purpose
<pre>Router(config-if)# autodetect encapsulation v120</pre>	Enables automatic detection of encapsulation type on the specified interface.

You can specify one or more encapsulations to detect. Cisco IOS software currently supports automatic detection of PPP and V.120 encapsulations.

Enabling V.120 Support for Asynchronous Access over ISDN

You can optionally configure a router to support asynchronous access over ISDN by globally enabling PPP on vty lines. Asynchronous access is then supported over ISDN from the ISDN terminal to the vty session on the router.

To enable asynchronous protocol features on vty lines, use the following command in global configuration mode:

Command	Purpose
Router(config)# vty-async	Configures all vty lines to support asynchronous protocol features.

This task enables PPP on vty lines on a global basis on the router. If you prefer instead to configure PPP on a per-vty basis, use the **translate** command, which is described in the *Cisco IOS Dial Technologies Command Reference*.

Configuration Example for V.120

The following example configures BRI 0 to call and receive calls from two sites, to use PPP encapsulation on outgoing calls, and to use Challenge Handshake Authentication Protocol (CHAP) authentication on incoming calls. This example also enables BRI 0 to configure itself dynamically to answer calls that use V.120 but that do not signal V.120 in the call setup message.

```
interface bri 0
 encapsulation ppp
 autodetect encapsulation v120
 no keepalive
 dialer map ip 172.18.36.10 name EB1 234
 dialer map ip 172.18.36.9 name EB2 456
 dialer-group 1
 ppp authentication chap
```

ISDN LAPB-TA Overview

To carry asynchronous traffic over ISDN, your system must be able to convert that traffic and forward it over synchronous connections. This process can be implemented by the V.120 protocol, which carries asynchronous traffic over ISDN. However, several countries in Europe (Germany, Switzerland, and some Eastern European countries) use LAPB as the protocol to forward their asynchronous traffic over synchronous connections. Your system, therefore, must be able to recognize and accept calls from these asynchronous/synchronous conversion devices. LAPB-TA performs that function. (LAPB is sometimes referred to as “X.75,” because LAPB is the link layer specified in the ITU-T X.75 recommendation for carrying asynchronous traffic over ISDN.)

LAPB-TA allows devices that use LAPB instead of the V.120 protocol to communicate with routers on the Cisco 3600 and 5300 series.

LAPB supports both local CHAP authentication and external RADIUS authorization on the authentication, authorization, and accounting (AAA) server.

Before configuring ISDN LAPB-TA in your network, observe these restrictions:

- LAPB-TA does not currently support the ability to set a maximum frame size per user.
- Outbound LAPB-TA calls are not supported.
- PPP over LAPB-TA (and V.120) connections impose a greater overhead on the router than synchronous PPP over ISDN. The number of simultaneous sessions can be limited by dedicating a pool of virtual terminals to these protocols and limiting the number of virtual terminals in the pool.
- Multilink PPP compression is not supported.

How to Configure ISDN LAPB-TA

ISDN LAPB-TA is supported on the Cisco 3600 and Cisco 5300 series routers that meet the following additional requirements:

- A virtual terminal must be configured for incoming LAPB-TA. If no appropriately configured virtual terminals are available, the incoming call will be cleared.
- ISDN, LAPB, and PPP must be running to configure LAPB-TA.
- The Cisco IOS software must include the **vty-async** global configuration command, which must be configured before you can run asynchronous PPP traffic over a LAPB-TA connection.

If an interface is already configured for V.120, only the following two additional configuration commands are required on the interface because V.120 and LAPB-TA sessions are configured in a similar way:

- Use the **autodetect encapsulation** command to enable autodetection of LAPB-TA connections.
- Use the **transport input** command to list LAPB-TA as an acceptable transport on a specific router.

Perform the following required task to configure LAPB-TA: [To configure ISDN LAPB-TA, use the following commands beginning in global configuration command mode:](#) (required).

Procedures for verifying the configuration are found in the section “[Verifying ISDN LAPB-TA](#)” later in this chapter. The section “[Configuration Example for ISDN LAPB-TA](#)” at the end of this chapter provides configuration examples.

To configure ISDN LAPB-TA, use the following commands beginning in global configuration command mode:

	Command	Purpose
Step 1	Router(config)# vty-async	Creates a virtual asynchronous interface.
Step 2	Router(config)# vty-async virtual-template 1	Applies virtual template to the virtual asynchronous interface.
Step 3	Router(config)# interface virtual-template 1	Creates a virtual interface template and enters interface configuration mode.
Step 4	Router(config-if)# ip unnumbered Ethernet0	Assigns an IP address to the virtual interface template.
Step 5	Router(config-if)# encapsulation ppp	Enables encapsulation on the virtual interface template.
Step 6	Router(config-if)# no peer default ip address	Disables an IP address from a pool to the device connecting to the virtual access interface
Step 7	Router(config-if)# ppp authentication chap	Enables the CHAP protocol for PPP authentication.
Step 8	Router(config-if)# exit	Exits to global configuration mode.
Step 9	Router(config)# username user1 password home	Specifies CHAP password to be used to authenticate calls from caller “user1.”
Step 10	Router(config)# interface Serial0:236	Enters interface configuration mode for a D-channel serial interface. ¹
Step 11	Router(config-if)# encapsulation ppp	Configures PPP encapsulation as the default.
Step 12	Router(config-if)# dialer-group 1	Specifies the dialer group belonging to the interface.
Step 13	Router(config-if)# ppp authentication chap	Enables the CHAP protocol for PPP authentication.

	Command	Purpose
Step 14	Router(config-if)# autodetect encapsulation lapb-ta	Enables autodetect encapsulation for LAPB-TA protocols.
Step 15	Router(config) # line vty 0 32	Configures a range of 32 vty lines starting with vty0.
Step 16	Router(config-line)# transport input telnet lapb-ta	Defines which protocol to use to connect to a specific line of the access server.

1. The D channel is the signaling channel.

Verifying ISDN LAPB-TA

Enter the **show running configuration** command to verify that LAPB-TA is configured. The following output shows LAPB-TA enabled for serial interface 0:23:

```
Router# show running configuration

Building configuration...

Current configuration:
!
version 12.0
service timestamps debug datetime msec localtime
service timestamps log datetime msec localtime
no service password-encryption
service udp-small-servers
service tcp-small-servers
!
hostname Router
...(output omitted)

interface Serial0:23
description ENG PBX BRI num.:81063
no ip address
no ip directed-broadcast
encapsulation ppp
no ip route-cache
dialer pool-member 1
autodetect encapsulation ppp lapb-ta
isdn switch-type primary-5ess
no peer default ip address
no fair-queue
no cdp enable
ppp authentication chap
...(output omitted)
!
end
```

Configuration Example for ISDN LAPB-TA

The following example configures a virtual template LAPB-TA connection capable of running PPP. It assumes that you have already configured usernames and passwords for PPP authentication.

```
vty-async
vty-async virtual-template 1
interface virtual-template 1
ip unnumbered Ethernet0
encapsulation ppp
```

```
no peer default ip address
ppp authentication chap
exit
interface Serial0:23
autodetect encapsulation lapb-ta
```

The following example treats the LAPB-TA and V.120 calls identically by immediately starting a PPP session without asking for username and password and relying on PPP authentication to identify the caller:

```
vty-async
vty-async virtual-template 1
interface Loopback0
 ip address 10.2.2.1 255.255.255.0
 exit
interface BRI3/0
 encapsulation ppp
 autodetect encapsulation ppp lapb-ta v120
 exit
interface Virtual-Template1
 ip unnumbered Loopback0
 ppp authentication chap
 exit
ip local pool default 10.2.2.64 10.2.2.127
line vty 0 2
 password <removed>
 login
 transport input telnet
 exit
line vty 3 4

no login
transport input lapb-ta v120
autocommand ppp neg
exit
end
```

Cisco and the Cisco Logo are trademarks of Cisco Systems, Inc. and/or its affiliates in the U.S. and other countries. A listing of Cisco's trademarks can be found at www.cisco.com/go/trademarks. Third party trademarks mentioned are the property of their respective owners. The use of the word partner does not imply a partnership relationship between Cisco and any other company. (1005R)

Any Internet Protocol (IP) addresses and phone numbers used in this document are not intended to be actual addresses and phone numbers. Any examples, command display output, network topology diagrams, and other figures included in the document are shown for illustrative purposes only. Any use of actual IP addresses or phone numbers in illustrative content is unintentional and coincidental.

© 2001–2009 Cisco Systems, Inc. All rights reserved.



Configuring Modem Use over ISDN BRI

This chapter describes how to configure the Modem over ISDN BRI feature. It includes the following main sections:

- [Modem over ISDN BRI Overview](#)
- [How to Configure Modem over ISDN BRI](#)
- [Verifying ISDN BRI Interface Configuration](#)
- [Configuration Examples for Modem over ISDN BRI](#)

Before beginning the tasks in this chapter, check your system for the following hardware and software:

- At least one of the following digital modem network modules. The number in the model name indicates the number of digital modems that can be connected to the module.
 - NM-6DM
 - NM-12DM
 - NM-18DM
 - NM-24DM
 - NM-30DM

These digital modem network modules do not have their own network connections, but instead handle analog calls passing through other router interfaces. BRI modules can provide their ISDN connectivity. Other modules, such as Ethernet, can provide connectivity to the LAN. The digital modem module acts as a pool of available modems that can be used for both incoming and outgoing calls. Digital modem network modules *do not* support BRI voice interface cards or wide-area network (WAN) interface cards.

- At least one of the following Cisco BRI network modules:
 - NM-4B-S/T: 4-port ISDN BRI network module, minimum version 800-01236-03
 - NM-4B-U: 4-port ISDN BRI with integrated network termination 1 (NT-1) network module, minimum version 800-01238-06
 - NM-8B-S/T: 8-port ISDN BRI network module, minimum version 800-01237-03
 - NM-8B-U: 8-port ISDN BRI with integrated NT-1 network module, minimum version 800-01239-06



The version level is available from the **show diag** command, which displays the version number as the part number.

If your BRI network module is a version lower than those cited or you need more details, refer to the Cisco.com Field Notice titled *Using Digital Modems with the Cisco 3600 Basic Rate Interface (BRI) Network Module Upgrade* in the Access Products index. If your existing Cisco BRI network module is one of those listed and does not support the Modem over ISDN BRI feature, Cisco will upgrade the module at no charge.

- To support the Modem over ISDN BRI feature, V.90 modem portware—for instructions on downloading this software or obtaining it otherwise, refer to the *Cisco 3600 Series Modem Portware Upgrade Configuration Note* on Cisco.com.

Before you can configure a Cisco 3640 router to provide Modem over ISDN BRI connectivity, you must also perform the following tasks:

- Obtain BRI service from your telecommunications provider. The BRI line must be provisioned at the switch to support voice calls.
- Install a 4-port or 8-port BRI network module into your Cisco router. Depending on the type of network module and your BRI service, you might also need to install an external NT-1 for S/T interfaces.
- Install a supported digital modem network module into the Cisco 3640 router.
- After the system comes up, make sure enough buffers are in the free list of the buffer pool that matches the maximum transmission unit (MTU) of your BRI interface. If not, you must reconfigure buffers so the BRI interfaces function properly. To check the MTU of your interfaces, use the **show interfaces bri** command. The **show buffers** command displays the free buffer space. Use the **buffers** global configuration command to make adjustments to initial buffer pool settings and to the limits at which temporary buffers are created and destroyed.

For more information about the physical characteristics of the BRI network modules and their digital modem support, or instructions on how to install the network or modem modules, either refer to the Cisco 3600 series *Network Module Hardware Installation Guide* that came with your BRI network module or view the up-to-date information on CCO.

To identify the hardware platform or software image information associated with a feature, use the Feature Navigator on Cisco.com to search for information about the feature or refer to the software release notes for a specific release. For more information, see the “Identifying Supported Platforms” section in the “Using Cisco IOS Software” chapter.

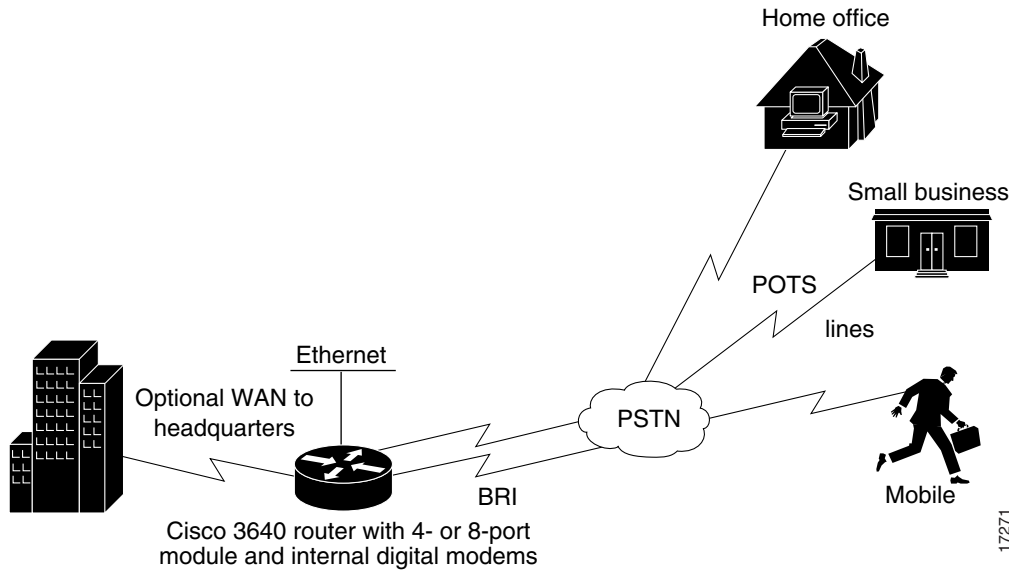
For a complete description of the Modem over ISDN BRI commands in this chapter, refer to the *Cisco IOS Dial Technologies Command Reference*. To locate documentation of other commands that appear in this chapter, use the command reference master index or search online.

Modem over ISDN BRI Overview

The Modem over ISDN BRI feature for the Cisco 3640 modular access router lowers the cost of remote access by offering high-speed modem and ISDN connectivity for mobile customers, offices, and other remote-access users. Branch offices and enterprises can support analog modem users who call over the Public Switched Telephone Network (PSTN) into BRI interfaces in Cisco 3640 routers.

The digital modem in the router accepts the modem calls at connection speeds as fast as 56 kbps, adhering to the V.90 standard. As shown in [Figure 1](#), the Cisco 3640 router in this way provides rapid access to E-mail and other network services.

Figure 1 Modem over ISDN BRI Feature



The following are benefits of using the Modem over ISDN BRI feature:

- Supports cost-effective and readily available BRI service.
- Provides remote modem users with rapid Internet and LAN/WAN access.
- Allows flexible remote access application support.

How to Configure Modem over ISDN BRI

The Modem over ISDN BRI feature is part of interface configuration for BRI. You configure the BRI interface after you have configured the ISDN global characteristics, which are switch type and TEI negotiation timing. These characteristics can also be defined for each BRI interface, as shown in the following task table.

To set up the BRI interface characteristics, set the global parameters and then configure each interface separately by using the following commands beginning in global configuration mode:

	Command	Purpose
Step 1	Router(config)# isdn switch-type <i>switch-type</i>	Configures the global ISDN switch type to match the service provider switch type. For a list of keywords, see Table 1 .
Step 2	Router(config)# isdn tei [first-call powerup]	Configures when the ISDN TEI negotiation occurs. If this command is not used, negotiation occurs when the router is powered up. The first-call option is primarily used in European ISDN switch types, such as NET3 networks. The powerup option should be used in most other locations.

	Command	Purpose
Step 3	Router(config)# interface bri <i>slot/port</i>	Begins interface configuration mode to configure parameters for the specified interface. <i>slot</i> is the location of the BRI module. Valid values are from 0 to 3. <i>port</i> is an interface number. Valid values are from 0 to 7 if the module is an 8-port BRI network module, or from 0 to 4 if the module is a 4-port BRI network module.
Step 4	Router(config-if)# ip address <i>ip-address mask</i>	Specifies an IP address and subnet for the interface. You can also specify that there is no IP address. For information about IP addressing, see the Release 12.2 <i>Cisco IOS IP Configuration Guide</i> publication.
Step 5	Router(config-if)# encapsulation ppp	Enables PPP encapsulation on the BRI interface. PPP encapsulation is configured for most ISDN communication. If the router needs to communicate with devices that require a different encapsulation protocol, needs to detect encapsulation on incoming calls automatically, or needs to send traffic over a Frame Relay or X.25 network, see the chapter “Configuring X.25 on ISDN” later in this part, and the chapters in the Dial-on-Demand Routing Configuration part of this publication for information.
Step 6	Router(config-if)# dialer map <i>protocol next-hop-address name hostname speed 56 64 dial-string[:isdn-subaddress]</i> or Router(config-if)# dialer map <i>protocol next-hop-address name hostname spc [speed 56 64] [broadcast] dial-string[:isdn-subaddress]</i>	(Most locations) Defines the remote protocol address of the recipient, host name, and dialing string; optionally, provide the ISDN subaddress; set the dialer speed to 56 or 64 kbps, as needed. (Germany) Use the spc keyword to enable ISDN semipermanent connections.
Step 7	Router(config-if)# dialer-group <i>group-number</i>	Assigns the interface to a dialer group to control access to the interface.
Step 8	Router(config-if)# dialer-list <i>dialer-group list access-list-number</i>	Associates the dialer group number with an access list number.
Step 9	Router(config-if)# access-list <i>access-list-number {deny permit} protocol source address source-mask destination destination-mask</i>	Defines an access list permitting or denying access to specified protocols, sources, or destinations. Permitted packets cause the router to place a call to the destination protocol address.
Step 10	Router(config-if)# no ip-directed broadcast	(Optional) Disables the translation of directed broadcast to physical broadcasts.
Step 11	Router(config-if)# isdn switch-type <i>switch-type</i>	(Optional) Configures the interface ISDN switch type to match the service provider switch type. The interface ISDN switch type overrides the global ISDN switch type on the interface. For a list of keywords, refer to Table 1 .

	Command	Purpose
Step 12	Router(config-if)# isdn tei [first-call powerup]	(Optional) Determines when ISDN TEI negotiation occurs for an individual interface. This overrides the global configuration command.
Step 13	Router(config-if)# isdn spid1 spid-number [ldn]	Specifies a service profile identifier (SPID) and local directory number for the B1 channel. Currently, only the DMS-100 and NI-1 switch types require SPIDs. Although the Lucent 5ESS switch type might support a SPID, we recommend that you set up that ISDN service without SPIDs.
Step 14	Router(config-if)# isdn spid2 spid-number [ldn]	Specifies a SPID and local directory number for the B2 channel.
Step 15	Router(config-if)# isdn caller number	(Optional) Configure caller ID screening.
Step 16	Router(config-if)# isdn answer1 [called-party-number] [:subaddress]	(Optional) Configures called-party number verification for a called-party number or subaddress number in the incoming setup message.
Step 17	Router(config-if)# isdn calling-number calling-number	(Optional) Specifies the calling-party number.
Step 18	Router(config-if)# isdn not-end-to-end [56 64]	(Optional) Configures the speed for incoming calls recognized as not ISDN end-to-end.
Step 19	Router(config-if)# isdn incoming-voice modem	Routes incoming voice calls to the modem and treats them as analog data. This step is required for the Modem over ISDN BRI feature.
Step 20	Router(config-if)# isdn disconnect-cause {cause-code-number busy not available}	Overrides specific cause codes such as modem availability and resource pooling that are sent to the switch by ISDN applications. When the isdn disconnect-cause command is implemented, the configured cause codes are sent to the switch; otherwise, the default cause codes of the application are sent. The <i>cause-code-number</i> argument sends a cause code number (submitted as integer 1 through 127) to the switch. The busy keyword sends the USER BUSY code to the switch. The not available keyword sends the CHANNEL NOT AVAILABLE code to the switch.
Step 21	Router(config-if)# isdn fast-rollover-delay seconds	(Optional) Configures a delay between fast rollover dials.
Step 22	Router(config-if)# isdn sending-complete	(Optional) Configures the BRI interface to include the Sending Complete information element in the outgoing call Setup message. Used in some geographic locations, such as Hong Kong and Taiwan, where the sending complete information element is required in the outgoing call setup message.

Table 1 ISDN Switch Types

Country	ISDN Switch Type	Description
Australia	basic-ts013	Australian TS013 switches
Europe	basic-1tr6	German 1TR6 ISDN switches
	basic-net3	NET3 ISDN switches (United Kingdom and others)
	vn2	French VN2 ISDN switches
	vn3	French VN3 and VN4 ISDN switches
Japan	ntt	Japanese NTT ISDN switches
North America	basic-5ess	Lucent Technologies basic rate switches
	basic-dms100	NT DMS-100 basic rate switches
	basic-ni	National ISDN-1 switches

See the section “[Configuration Examples for Modem over ISDN BRI](#)” at the end of this chapter for configuration examples.

Verifying ISDN BRI Interface Configuration

Use the **show running-config** command in EXEC mode to verify the current configuration that is running on the terminal.



Note

The **show startup-config** shows the configuration stored in NVRAM or in a location specified by the CONFIG_FILE environment variable.

The following example shows some of the command output that is relevant to BRI configuration tasks. The bold text in the example are the results of configuration steps such as those shown in the section “[How to Configure Modem over ISDN BRI](#)” earlier in this chapter.

```
Building configuration...

Current configuration:
!
version 12.0
no service udp-small-servers
service tcp-small-servers
!
hostname Router
!
enable secret 5 $1$c8xi$tObplXsIS.jDeo43yZgq50
enable password xxx
!
username xxxx password x 11x5xx07
no ip domain-lookup
ip host Labhost 172.17.12.1
ip host Labhost2 172.17.12.2
ip name-server 172.19.169.21
!
interface Ethernet0
ip address 172.17.12.100 255.255.255.192
```

```
no ip mroute-cache
no ip route-cache
no mop enabled
.
.
.
interface BRI1/7
description (408) 555-3777
ip address 10.1.1.26 255.255.255.1
no ip directed-broadcast
encapsulation ppp
no ip route-cache
no ip mroute-cache
no keepalive
shutdown
dialer idle-timeout 180
dialer map ip 10.1.1.9 name MDial1 14085550715
dialer map ip 10.1.1.14 name MDial2 14085553775
dialer-group 1
isdn switch-type basic-5ess
isdn incoming-voice modem
    isdn disconnect-cause busy
no fair-queue
no cdp enable
ppp authentication chap
ppp multilink
.
.
.
!
interface Group-Async1
ip unnumbered Loopback0
no ip directed-broadcast
ip tcp header-compression passive
async mode interactive
peer default ip address pool default
no fair-queue
group-range 65 70
hold-queue 10 in
!
router igrp 109
network 172.21.0.0
!
ip local pool local 172.21.50.85 172.21.50.89
ip local pool default 10.1.1.1 10.1.1.253
ip classless
ip route 0.0.0.0 0.0.0.0 172.21.48.1
!
!
map-class dialer VOICE
dialer voice-call
!
map-class dialer DATA
dialer-list 1 protocol ip list 101
tacacs-server host 172.19.2.74
tacacs-server host 192.168.15.197
snmp-server community isdn RW
snmp-server enable traps isdn call-information
snmp-server host 172.25.3.154 traps isdn
```

Use the **show interfaces bri *number*** command to verify information about the physical attributes of the ISDN BRI B and D channels. The *number* argument is the slot location of the BRI module. Valid values are from 0 to 3.

```
BRI0:1 is down, line protocol is down
Hardware is BRI
MTU 1500 bytes, BW 64 Kbit, DLY 20000 usec, rely 255/255, load 1/255
Internet address is 10.1.1.3/27
Encapsulation PPP, loopback not set, keepalive not set
LCP Closed
Closed: IPCP
Last input never, output never, output hang never
Last clearing of "show interface" counters never
Queueing strategy: fifo
Output queue 0/40, 0 drops; input queue 0/75, 0 drops
5 minute input rate 0 bits/sec, 0 packets/sec
5 minute output rate 0 bits/sec, 0 packets/sec
0 packets input, 0 bytes, 0 no buffer
Received 0 broadcasts, 0 runts, 0 giants
0 input errors, 0 CRC, 0 frame, 0 overrun, 0 ignored, 0 abort
0 packets output, 0 bytes, 0 underruns
0 output errors, 0 collisions, 7 interface resets
0 output buffer failures, 0 output buffers swapped out
0 carrier transitions
```

Configuration Examples for Modem over ISDN BRI

This section provides the following examples:

- [BRI Interface Configuration Example](#)
- [Complete Configuration Examples](#)

These examples show configuration of just the Modem over ISDN BRI feature using the interface configuration commands for each interface and a complete configuration showing global configuration, BRI interfaces, and modem configuration.

BRI Interface Configuration Example

The following example shows how to configure each BRI interface on a Cisco 3640 router for the Modem over ISDN BRI feature:

```
interface BRI0/0
no ip address
no ip directed-broadcast
encapsulation ppp
isdn switch-type basic-ni
isdn spid1 0444000101 9194440001
isdn spid2 0444001101 9194440011
isdn incoming-voice modem
!
interface BRI0/1
no ip address
no ip directed-broadcast
encapsulation ppp
isdn switch-type basic-ni
isdn spid1 0444000201 9194440002
isdn spid2 0444001201 9194440012
isdn incoming-voice modem
```



```
!  
interface BRI0/2  
  no ip address  
  no ip directed-broadcast  
  encapsulation ppp  
  isdn switch-type basic-ni  
  isdn spid1 0444000301 9194440003  
  isdn spid2 0444001301 9194440013  
  isdn incoming-voice modem  
!  
interface BRI0/3  
  no ip address  
  no ip directed-broadcast  
  encapsulation ppp  
  isdn switch-type basic-ni  
  isdn spid1 0444000401 9194440004  
  isdn spid2 0444001401 9194440014  
  isdn incoming-voice modem  
!  
interface BRI0/4  
  no ip address  
  no ip directed-broadcast  
  encapsulation ppp  
  isdn switch-type basic-ni  
  isdn spid1 0444000501 9194440005  
  isdn spid2 0444001501 9194440015  
  isdn incoming-voice modem  
!  
interface BRI0/5  
  no ip address  
  no ip directed-broadcast  
  encapsulation ppp  
  isdn switch-type basic-ni  
  isdn spid1 0444000601 9194440006  
  isdn spid2 0444001601 9194440016  
  isdn incoming-voice modem  
!  
interface BRI0/6  
  no ip address  
  no ip directed-broadcast  
  encapsulation ppp  
  isdn switch-type basic-ni  
  isdn spid1 0444000701 9194440007  
  isdn spid2 0444001701 9194440017  
  isdn incoming-voice modem  
!  
interface BRI0/7  
  no ip address  
  no ip directed-broadcast  
  encapsulation ppp  
  isdn switch-type basic-ni  
  isdn spid1 0444000801 9194440008  
  isdn spid2 0444001801 9194440018  
  isdn incoming-voice modem  
!  
interface BRI2/0  
  no ip address  
  no ip directed-broadcast  
  encapsulation ppp  
  isdn switch-type basic-ni  
  isdn spid1 0555000101 9195550001  
  isdn spid2 0555001101 9195550011  
  isdn incoming-voice modem  
!
```

```
interface BRI2/1
no ip address
no ip directed-broadcast
encapsulation ppp
isdn switch-type basic-ni
isdn spid1 0555000201 9195550002
isdn spid2 0555001201 9195550012
isdn incoming-voice modem
!
interface BRI2/2
no ip address
no ip directed-broadcast
encapsulation ppp
isdn switch-type basic-ni
isdn spid1 0555000301 9195550003
isdn spid2 0555001301 9195550013
isdn incoming-voice modem
!
interface BRI2/3
no ip address
no ip directed-broadcast
encapsulation ppp
isdn switch-type basic-ni
isdn spid1 0555000401 9195550004
isdn spid2 0555001401 9195550014
isdn incoming-voice modem
!
interface BRI2/4
no ip address
no ip directed-broadcast
encapsulation ppp
isdn switch-type basic-ni
isdn spid1 0555000501 9195550005
isdn spid2 0555001501 9195550015
isdn incoming-voice modem
!
interface BRI2/5
no ip address
no ip directed-broadcast
encapsulation ppp
isdn switch-type basic-ni
isdn spid1 0555000601 9195550006
isdn spid2 0555001601 9195550016
isdn incoming-voice modem
!
interface BRI2/6
no ip address
no ip directed-broadcast
encapsulation ppp
isdn switch-type basic-ni
isdn spid1 0555000701 9195550007
isdn spid2 0555001701 9195550017
isdn incoming-voice modem
!
interface BRI2/7
no ip address
no ip directed-broadcast
encapsulation ppp
isdn switch-type basic-ni
isdn spid1 0555000801 9195550008
isdn spid2 0555001801 9195550018
isdn incoming-voice modem
!
```

Complete Configuration Examples

The following example shows a complete configuration for a dial-in router, including a global command, BRI interface configuration, and modem configuration including **group-async** and **dialer** commands.

```
version 12.0
service timestamps debug datetime localtime
service timestamps log uptime
no service password-encryption
service udp-small-servers
service tcp-small-servers
!
hostname MBRI_IN
!
no logging buffered
enable password xxx
```

The following lines are used for PPP CHAP authentication. Each username and password is associated with one dialer interface.

```
username async1 password devtest
username async2 password devtest
username async3 password devtest
username async4 password devtest
username async5 password devtest
username async6 password devtest
username async7 password devtest
username async8 password devtest
username async9 password devtest
username async10 password devtest
username async11 password devtest
username async12 password devtest
username async13 password devtest
username async14 password devtest
username async15 password devtest
username async16 password devtest
username async17 password devtest
username async18 password devtest
username async19 password devtest
username async20 password devtest
username async21 password devtest
username async22 password devtest
username async23 password devtest
username async24 password devtest
username async25 password devtest
username async26 password devtest
username async27 password devtest
username async28 password devtest
username async29 password devtest
username async30 password devtest
username FLOYD password devtest
username MBRI_OUT password devtest
ip subnet-zero
no ip domain-lookup
!
isdn switch-type basic-5ess

interface BRI0/0
no ip address
no ip directed-broadcast
encapsulation ppp
isdn switch-type basic-ni
```

```
isdn spid1 0444000101 9194440001
isdn spid2 0444001101 9194440011
isdn incoming-voice modem
!
interface BRI0/1
no ip address
no ip directed-broadcast
encapsulation ppp
isdn switch-type basic-ni
isdn spid1 0444000201 9194440002
isdn spid2 0444001201 9194440012
isdn incoming-voice modem
!
interface BRI0/2
no ip address
no ip directed-broadcast
encapsulation ppp
isdn switch-type basic-ni
isdn spid1 0444000301 9194440003
isdn spid2 0444001301 9194440013
isdn incoming-voice modem
!
interface BRI0/3
no ip address
no ip directed-broadcast
encapsulation ppp
isdn switch-type basic-ni
isdn spid1 0444000401 9194440004
isdn spid2 0444001401 9194440014
isdn incoming-voice modem
!
interface BRI0/4
no ip address
no ip directed-broadcast
encapsulation ppp
isdn switch-type basic-ni
isdn spid1 0444000501 9194440005
isdn spid2 0444001501 9194440015
isdn incoming-voice modem
no shut
!
interface BRI0/5
no ip address
no ip directed-broadcast
encapsulation ppp
isdn switch-type basic-ni
isdn spid1 0444000601 9194440006
isdn spid2 0444001601 9194440016
isdn incoming-voice modem
!
interface BRI0/6
no ip address
no ip directed-broadcast
encapsulation ppp
isdn switch-type basic-ni
isdn spid1 0444000701 9194440007
isdn spid2 0444001701 9194440017
isdn incoming-voice modem
!
interface BRI0/7
no ip address
no ip directed-broadcast
encapsulation ppp
isdn switch-type basic-ni
```

```
isdn spid1 0444000801 9194440008
isdn spid2 0444001801 9194440018
isdn incoming-voice modem
!
interface BRI2/0
no ip address
no ip directed-broadcast
encapsulation ppp
isdn switch-type basic-ni
isdn spid1 0555000101 9195550001
isdn spid2 0555001101 9195550011
isdn incoming-voice modem
!
interface BRI2/1
no ip address
no ip directed-broadcast
encapsulation ppp
isdn switch-type basic-ni
isdn spid1 0555000201 9195550002
isdn spid2 0555001201 9195550012
isdn incoming-voice modem
!
interface BRI2/2
no ip address
no ip directed-broadcast
encapsulation ppp
isdn switch-type basic-ni
isdn spid1 0555000301 9195550003
isdn spid2 0555001301 9195550013
isdn incoming-voice modem
!
interface BRI2/3
no ip address
no ip directed-broadcast
encapsulation ppp
isdn switch-type basic-ni
isdn spid1 0555000401 9195550004
isdn spid2 0555001401 9195550014
isdn incoming-voice modem
!
interface BRI2/4
no ip address
no ip directed-broadcast
encapsulation ppp
isdn switch-type basic-ni
isdn spid1 0555000501 9195550005
isdn spid2 0555001501 9195550015
isdn incoming-voice modem
!
interface BRI2/5
no ip address
no ip directed-broadcast
encapsulation ppp
isdn switch-type basic-ni
isdn spid1 0555000601 9195550006
isdn spid2 0555001601 9195550016
isdn incoming-voice modem
!
interface BRI2/6
no ip address
no ip directed-broadcast
encapsulation ppp
isdn switch-type basic-ni
isdn spid1 0555000701 9195550007
```

```

isdn spid2 0555001701 9195550017
isdn incoming-voice modem
!
interface BRI2/7
no ip address
no ip directed-broadcast
encapsulation ppp
isdn switch-type basic-ni
isdn spid1 0555000801 9195550008
isdn spid2 0555001801 9195550018
isdn incoming-voice modem
!
interface Ethernet1/0
ip address 172.18.16.123 255.255.255.192
no ip directed-broadcast
!
```

The following example defines a group-async interface for grouping all the digital modems and configuring them together. Group-async configuration is much easier than configuring all 30 digital modems individually.

```

interface Group-Async1
ip unnumbered Ethernet3/1
no ip directed-broadcast
encapsulation ppp
load-interval 30
dialer in-band
dialer pool-member 1
async default routing
async mode dedicated
no peer default ip address
no cdp enable
ppp authentication chap
group-range 96 125
hold-queue 10 in
```

The following example defines dialer interfaces, associates IP addresses, and sets all the authentication parameters required during the call establishment.

```

interface Dialer1
ip address 10.1.0.1 255.255.0.0
no ip directed-broadcast
encapsulation ppp
dialer remote-name async1
dialer pool 1
dialer-group 1
no cdp enable
ppp authentication chap callin
ppp chap hostname async1
ppp chap password devtest
!
interface Dialer2
ip address 10.2.0.1 255.255.0.0
no ip directed-broadcast
encapsulation ppp
dialer remote-name async2
dialer pool 1
dialer-group 1
no cdp enable
ppp authentication chap callin
ppp chap hostname async2
ppp chap password devtest
!
interface Dialer3
ip address 10.3.0.1 255.255.0.0
```

```
no ip directed-broadcast
encapsulation ppp
dialer remote-name async3
dialer pool 1
dialer-group 1
no cdp enable
ppp authentication chap callin
ppp chap hostname async3
ppp chap password devtest
!
interface Dialer4
ip address 10.4.0.1 255.255.0.0
no ip directed-broadcast
encapsulation ppp
dialer remote-name async4
dialer pool 1
dialer-group 1
no cdp enable
ppp authentication chap callin
ppp chap hostname async4
ppp chap password devtest
!
interface Dialer5
ip address 10.5.0.1 255.255.0.0
no ip directed-broadcast
encapsulation ppp
dialer remote-name async5
dialer pool 1
dialer-group 1
no cdp enable
ppp authentication chap callin
ppp chap hostname async5
ppp chap password devtest
!
interface Dialer6
ip address 10.6.0.1 255.255.0.0
no ip directed-broadcast
encapsulation ppp
dialer remote-name async6
dialer pool 1
dialer-group 1
no cdp enable
ppp authentication chap callin
ppp chap hostname async6
ppp chap password devtest
!
interface Dialer7
ip address 10.7.0.1 255.255.0.0
no ip directed-broadcast
encapsulation ppp
dialer remote-name async7
dialer pool 1
dialer-group 1
no cdp enable
ppp authentication chap callin
ppp chap hostname async7
ppp chap password devtest
!
interface Dialer8
ip address 10.8.0.1 255.255.0.0
no ip directed-broadcast
encapsulation ppp
dialer remote-name async8
dialer pool 1
```

```
dialer-group 1
no cdp enable
ppp authentication chap callin
ppp chap hostname async8
ppp chap password devtest
!
interface Dialer9
ip address 10.9.0.1 255.255.0.0
no ip directed-broadcast
encapsulation ppp
dialer remote-name async9
dialer pool 1
dialer-group 1
no cdp enable
ppp authentication chap callin
ppp chap hostname async9
ppp chap password devtest
!
interface Dialer10
ip address 10.10.0.1 255.255.0.0
no ip directed-broadcast
encapsulation ppp
dialer remote-name async10
dialer pool 1
dialer-group 1
no cdp enable
ppp authentication chap callin
ppp chap hostname async10
ppp chap password devtest
!
interface Dialer11
ip address 10.11.0.1 255.255.0.0
no ip directed-broadcast
encapsulation ppp
dialer remote-name async11
dialer pool 1
dialer-group 1
no cdp enable
ppp authentication chap callin
ppp chap hostname async11
ppp chap password devtest
!
interface Dialer12
ip address 10.12.0.1 255.255.0.0
no ip directed-broadcast
encapsulation ppp
dialer remote-name async12
dialer pool 1
dialer-group 1
no cdp enable
ppp authentication chap callin
ppp chap hostname async12
ppp chap password devtest
!
interface Dialer13
ip address 10.13.0.1 255.255.0.0
no ip directed-broadcast
encapsulation ppp
dialer remote-name async13
dialer pool 1
dialer-group 1
no cdp enable
ppp authentication chap callin
ppp chap hostname async13
```



```
    ppp chap password devtest
!
interface Dialer14
  ip address 10.14.0.1 255.255.0.0
  no ip directed-broadcast
  encapsulation ppp
  dialer remote-name async14
  dialer pool 1
  dialer-group 1
  no cdp enable
  ppp authentication chap callin
  ppp chap hostname async14
  ppp chap password devtest
!
interface Dialer15
  ip address 10.15.0.1 255.255.0.0
  no ip directed-broadcast
  encapsulation ppp
  dialer remote-name async15
  dialer pool 1
  dialer-group 1
  no cdp enable
  ppp authentication chap callin
  ppp chap hostname async15
  ppp chap password devtest
!
interface Dialer16
  ip address 10.16.0.1 255.255.0.0
  no ip directed-broadcast
  encapsulation ppp
  dialer remote-name async16
  dialer pool 1
  dialer-group 1
  no cdp enable
  ppp authentication chap callin
  ppp chap hostname async16
  ppp chap password devtest
!
interface Dialer17
  ip address 10.17.0.1 255.255.0.0
  no ip directed-broadcast
  encapsulation ppp
  dialer remote-name async17
  dialer pool 1
  dialer-group 1
  no cdp enable
  ppp authentication chap callin
  ppp chap hostname async17
  ppp chap password devtest
!
interface Dialer18
  ip address 10.18.0.1 255.255.0.0
  no ip directed-broadcast
  encapsulation ppp
  dialer remote-name async18
  dialer pool 1
  dialer-group 1
  no cdp enable
  ppp authentication chap callin
  ppp chap hostname async18
  ppp chap password devtest
!
interface Dialer19
  ip address 10.19.0.1 255.255.0.0
```

```
no ip directed-broadcast
encapsulation ppp
dialer remote-name async19
dialer pool 1
dialer-group 1
no cdp enable
ppp authentication chap callin
ppp chap hostname async19
ppp chap password devtest
!
interface Dialer20
ip address 10.20.0.1 255.255.0.0
no ip directed-broadcast
encapsulation ppp
dialer remote-name async20
dialer pool 1
dialer-group 1
no cdp enable
ppp authentication chap callin
ppp chap hostname async20
ppp chap password devtest
!
interface Dialer21
ip address 10.21.0.1 255.255.0.0
no ip directed-broadcast
encapsulation ppp
dialer remote-name async21
dialer pool 1
dialer-group 1
no cdp enable
ppp authentication chap callin
ppp chap hostname async21
ppp chap password devtest
!
interface Dialer22
ip address 10.22.0.1 255.255.0.0
no ip directed-broadcast
encapsulation ppp
dialer remote-name async22
dialer pool 1
dialer-group 1
no cdp enable
ppp authentication chap callin
ppp chap hostname async22
ppp chap password devtest
!
interface Dialer23
ip address 10.23.0.1 255.255.0.0
no ip directed-broadcast
encapsulation ppp
dialer remote-name async23
dialer pool 1
dialer-group 1
no cdp enable
ppp authentication chap callin
ppp chap hostname async23
ppp chap password devtest
!
interface Dialer24
ip address 10.24.0.1 255.255.0.0
no ip directed-broadcast
encapsulation ppp
dialer remote-name async24
dialer pool 1
```

```
dialer-group 1
no cdp enable
ppp authentication chap callin
ppp chap hostname async24
ppp chap password devtest
!
interface Dialer25
ip address 10.25.0.1 255.255.0.0
no ip directed-broadcast
encapsulation ppp
dialer remote-name async25
dialer pool 1
dialer-group 1
no cdp enable
ppp authentication chap callin
ppp chap hostname async25
ppp chap password devtest
!
interface Dialer26
ip address 10.26.0.1 255.255.0.0
no ip directed-broadcast
encapsulation ppp
dialer remote-name async26
dialer pool 1
dialer-group 1
no cdp enable
ppp authentication chap callin
ppp chap hostname async26
ppp chap password devtest
!
interface Dialer27
ip address 10.27.0.1 255.255.0.0
no ip directed-broadcast
encapsulation ppp
dialer remote-name async27
dialer pool 1
dialer-group 1
no cdp enable
ppp authentication chap callin
ppp chap hostname async27
ppp chap password devtest
!
interface Dialer28
ip address 10.28.0.1 255.255.0.0
no ip directed-broadcast
encapsulation ppp
dialer remote-name async28
dialer pool 1
dialer-group 1
no cdp enable
ppp authentication chap callin
ppp chap hostname async28
ppp chap password devtest
!
interface Dialer29
ip address 10.29.0.1 255.255.0.0
no ip directed-broadcast
encapsulation ppp
dialer remote-name async29
dialer pool 1
dialer-group 1
no cdp enable
ppp authentication chap callin
ppp chap hostname async29
```

```

    ppp chap password devtest
    !
interface Dialer30
  ip address 10.30.0.1 255.255.0.0
  no ip directed-broadcast
  encapsulation ppp
  dialer remote-name async30
  dialer pool 1
  dialer-group 1
  no cdp enable
  ppp authentication chap callin
  ppp chap hostname async30
  ppp chap password devtest
  !
no ip classless

```

The following lines define routes that send incoming packets out via specific interfaces:

```

ip route 0.0.0.0 0.0.0.0 172.18.16.193
ip route 10.91.0.1 255.255.255.255 1.1.0.2
ip route 10.91.0.2 255.255.255.255 1.2.0.2
ip route 10.91.0.3 255.255.255.255 1.3.0.2
ip route 10.91.0.4 255.255.255.255 1.4.0.2
ip route 10.91.0.5 255.255.255.255 1.5.0.2
ip route 10.91.0.6 255.255.255.255 1.6.0.2
ip route 10.91.0.7 255.255.255.255 1.7.0.2
ip route 10.91.0.8 255.255.255.255 1.8.0.2
ip route 10.91.0.9 255.255.255.255 1.9.0.2
ip route 10.91.0.10 255.255.255.255 1.10.0.2
ip route 10.91.0.11 255.255.255.255 1.11.0.2
ip route 10.91.0.12 255.255.255.255 1.12.0.2
ip route 10.91.0.13 255.255.255.255 1.13.0.2
ip route 10.91.0.14 255.255.255.255 1.14.0.2
ip route 10.91.0.15 255.255.255.255 1.15.0.2
ip route 10.91.0.16 255.255.255.255 1.16.0.2
ip route 10.91.0.17 255.255.255.255 1.17.0.2
ip route 10.91.0.18 255.255.255.255 1.18.0.2
ip route 10.91.0.19 255.255.255.255 1.19.0.2
ip route 10.91.0.20 255.255.255.255 1.20.0.2
ip route 10.91.0.21 255.255.255.255 1.21.0.2
ip route 10.91.0.22 255.255.255.255 1.22.0.2
ip route 10.91.0.23 255.255.255.255 1.23.0.2
ip route 10.91.0.24 255.255.255.255 1.24.0.2
ip route 10.91.0.25 255.255.255.255 1.25.0.2
ip route 10.91.0.26 255.255.255.255 1.26.0.2
ip route 10.91.0.27 255.255.255.255 1.27.0.2
ip route 10.91.0.28 255.255.255.255 1.28.0.2
ip route 10.91.0.29 255.255.255.255 1.29.0.2
ip route 10.91.0.30 255.255.255.255 1.30.0.2
ip route 172.18.0.0 255.255.0.0 Ethernet3/1
!
dialer-list 1 protocol ip permit
!
line con 0
  exec-timeout 0 0
  transport input none

```

The following example configures the lines associated with the digital modems:

```

line 96 125
  exec-timeout 0 0
  modem InOut
  transport input all
  stopbits 1

```

```
flowcontrol hardware
line aux 0
  exec-timeout 0 0
line vty 0 4
  exec-timeout 0 0
  password lab
  login
line vty 5 60
  exec-timeout 0 0
  password lab
```

Cisco and the Cisco Logo are trademarks of Cisco Systems, Inc. and/or its affiliates in the U.S. and other countries. A listing of Cisco's trademarks can be found at www.cisco.com/go/trademarks. Third party trademarks mentioned are the property of their respective owners. The use of the word partner does not imply a partnership relationship between Cisco and any other company. (1005R)

Any Internet Protocol (IP) addresses and phone numbers used in this document are not intended to be actual addresses and phone numbers. Any examples, command display output, network topology diagrams, and other figures included in the document are shown for illustrative purposes only. Any use of actual IP addresses or phone numbers in illustrative content is unintentional and coincidental.

© 2007–2009 Cisco Systems, Inc. All rights reserved



Configuring X.25 on ISDN

This chapter describes how to configure X.25 on ISDN. It includes the following main sections:

- [X.25 on ISDN Overview](#)
- [How to Configure X.25 on ISDN](#)
- [Configuration Examples for X.25 on ISDN](#)

To identify the hardware platform or software image information associated with a feature, use the Feature Navigator on Cisco.com to search for information about the feature or refer to the software release notes for a specific release. For more information, see the “Identifying Supported Platforms” section in the “Using Cisco IOS Software” chapter.

For a complete description of the commands in this chapter, refer to the *Cisco IOS Dial Technologies Command Reference*. To locate documentation of other commands that appear in this chapter, use the command reference master index or search online.

X.25 on ISDN Overview

BRI is an ISDN interface, and it consists of two B channels (B1 and B2) and one D channel. The B channels are used to transfer data, voice, and video. The D channel controls the B channels.

ISDN uses the D channel to carry signal information. ISDN can also use the D channel in a BRI to carry X.25 packets. The D channel has a capacity of 16 kbps, and the X.25 over D channel can utilize up to 9.6 kbps.

X.25-over-D-Channel Logical Interface

When X.25 on ISDN is configured, a separate X.25-over-D-channel logical interface is created. You can set its parameters without disrupting the original ISDN interface configuration. The original BRI interface will continue to represent the D, B1, and B2 channels.

Because some end-user equipment uses static terminal endpoint identifiers (TEIs) to access this feature, static TEIs are supported. The dialer understands the X.25-over-D-channel calls and initiates them on a new interface.



X.25 traffic over the D channel can be used as a primary interface where low-volume, sporadic interactive traffic is the normal mode of operation. Supported traffic includes the Internet Protocol Exchange (IPX), AppleTalk, transparent bridging, Xerox Network Systems (XNS), DECnet, and IP.

This feature is not available on the ISDN PRI.


Note

X.25 on ISDN is also supported using the ISDN Always On/Dynamic (AO/DI) feature. AO/DI uses the Multilink PPP (MLP) protocol signaling with standard Q.922 and X.25 encapsulations, and can additionally use the Bandwidth Allocation Control Protocol (BACP) to optimize bandwidth on demand. For information about how to configure AO/DI, see the chapter [“Configuring X.25 on ISDN Using AO/DI”](#) in this publication.

Outbound Circuit-Switched X.25 Support over a Dialer Interface

Current Cisco IOS software enables circuit-switched X.25 clients—PAD, X.25 switching, and Qualified Logical Link Control (QLLC)—to initiate calls and dynamically bring the X.25 context (which runs the X.25 protocol) up or down as needed. This capability allows packet-switched traffic over ISDN.

In earlier releases of the Cisco IOS software, X.25 circuit-switched clients were required to do an X.25 route lookup to forward a call. If the lookup resulted in a route to a dialer interface, the client would check the X.25 protocol state on the dialer interface. If the interface was not already bound to run the X.25 protocol, the software would reroute the call instead of bringing up a link and running the X.25 protocol. With this new feature, the X.25 context is dynamically created on demand and then removed when the X.25 session is cleared on the dialer interface.

For dialer profile interfaces, the X.25 context is created on the dialer interface, because X.25 protocol functions run on the dialer interface itself. Member links act like forwarding devices, because their topmost interface runs the actual encapsulated protocol. But for legacy dialer interfaces, the X.25 context is created on the member links once they come up and bind to a dialer.

There are no specific configuration tasks required to enable outbound circuit-switched X.25 support. See the [“Outbound Circuit-Switched X.25 Example”](#) example in the section [“Configuration Examples for X.25 on ISDN”](#) at the end of this chapter for an example of how to make use of this feature in your network.

How to Configure X.25 on ISDN

You can configure X.25 on ISDN in three ways:

- If the ISDN traffic will cross an X.25 network, you configure the ISDN interface as described in the [“Setting Up Basic ISDN Services”](#) and [“Configuring signaling on T1 and E1”](#) chapters earlier in this publication. Make certain to configure that ISDN interface for X.25 addressing and encapsulation as described in the [“Configuring X.25”](#) chapter of the *Cisco IOS Wide-Area Networking Configuration Guide*.
- Configure dynamic X.25 as illustrated in the section [“Outbound Circuit-Switched X.25 Example”](#) later in this chapter.
- If the D channel of an ISDN BRI interface is to carry X.25 traffic, perform the task described in the next section, [“Configuring X.25 on the ISDN D Channel.”](#)

Configuring X.25 on the ISDN D Channel

To configure an ISDN BRI interface (and create a special ISDN interface) to carry X.25 traffic on the D channel, use the following commands beginning in global configuration mode:

	Command	Purpose
Step 1	Router(config)# interface bri <i>number</i>	Specifies an ISDN BRI interface and begins interface configuration mode.
Step 2	Router(config-if)# isdn x25 static-tei <i>tei-number</i>	Specifies a static TEI, if required by the switch.
Step 3	Router(config-if)# isdn x25 dchannel	Creates a configurable interface for X.25 traffic over the ISDN D channel.

The last step is to configure the X.25-over-ISDN interface for X.25 traffic. See the chapter “Configuring LAPB and X.25” in the *Cisco IOS Wide-Area Networking Configuration Guide*, Release 12.2, for the commands and tasks.

The new X.25-over-ISDN interface is called **interface bri number:0** in configuration displays. It must be configured as an individual X.25 interface. For information about configuring an interface for X.25 traffic, refer to the *Cisco IOS Wide-Area Networking Configuration Guide*, Release 12.2.



Note

The **encapsulation x25** command is neither required nor used on this new interface, but other X.25 commands can be used to configure this interface.

If you want to remove the X.25-over-ISDN interface later, use the **no isdn x25 dchannel** command. See the section “[X.25 on ISDN D-Channel Configuration Example](#)” at the end of this chapter for a configuration example.

Configuration Examples for X.25 on ISDN

This section illustrates X.25 on ISDN with the following examples:

- [X.25 on ISDN D-Channel Configuration Example](#)
- [Outbound Circuit-Switched X.25 Example](#)

X.25 on ISDN D-Channel Configuration Example

The following example creates a BRI 0:0 interface for X.25 traffic over the D channel and then configures the new interface to carry X.25 traffic:

```
interface bri0
  isdn x25 dchannel
  isdn x25 static-tei 8
!
interface bri0:0
  ip address 10.1.1.2 255.255.255.0
  x25 address 31107000000100
  x25 htc 1
  x25 suppress-calling-address
```

```

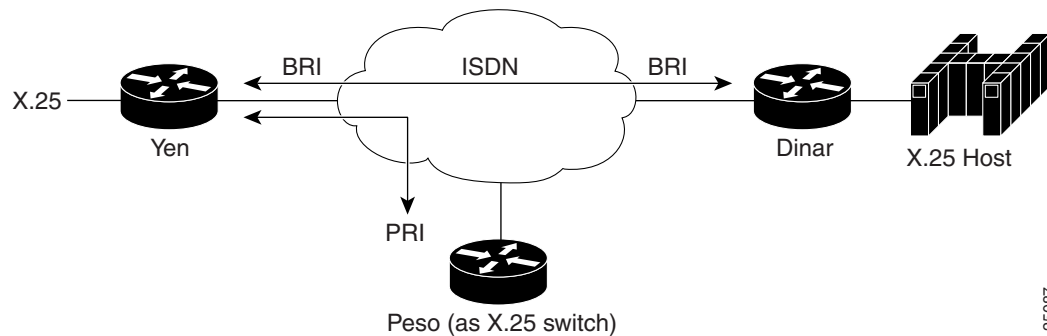
x25 facility window-size 2 2
x25 facility packet-size 256 256
x25 facility throughput 9600 9600
x25 map ip 10.1.1.3 3110700000200

```

Outbound Circuit-Switched X.25 Example

The following example shows how to configure dynamic X.25 on an ISDN interface. [Figure 1](#) illustrates the configuration.

Figure 1 Dynamic X.25 over ISDN



25087

Configuration for Yen

```

version 12.0(5)T
service timestamps debug uptime
service timestamps log uptime
no service password-encryption
service udp-small-servers
service tcp-small-servers
!
hostname yen
!
enable secret 5 $1$K32j$4AZW2oMDivpUeuMa/Fdcd.
enable password secret
!
username peso password 0 cisco
username dinar password 0 cisco
ip subnet-zero
no ip domain-lookup
ip domain-name cicso.com
ip name-server 172.18.1.148
!
isdn switch-type basic-5ess
x25 routing
!
interface Loopback0
no ip address
no ip directed-broadcast
no ip mroute-cache
!
interface Ethernet0
ip address 172.21.75.2 255.255.255.0
no ip directed-broadcast
no ip mroute-cache
media-type 10BaseT
!

```

```

interface BRI1
no ip address
no ip directed-broadcast
no ip mroute-cache
dialer pool-member 1
isdn switch-type basic-5ess
no fair-queue
!
interface Dialer0
ip address 10.1.1.1 255.0.0.0
no ip directed-broadcast
encapsulation x25
no ip mroute-cache
dialer remote-name dinar
dialer idle-timeout 180
dialer string 81060
dialer caller 81060
dialer max-call 1
dialer pool 1
dialer-group 1
x25 address 11111
x25 map ip 10.1.1.2 22222
!
ip default-gateway 172.21.75.1
no ip classless
ip route 0.0.0.0 0.0.0.0 172.21.75.1
no ip http server
!
access-list 101 permit ip any any
dialer-list 1 protocol ip list 101
!
x25 route 22222 interface Dialer0
x25 route 33333 interface Dialer0
!
line con 0
exec-timeout 0 0
transport input none
line aux 0
transport input all
line vty 0 4
password cisco
login
line vty 5 100
password cisco
login
!
end

```

Configuration for Peso Acting as X.25 Switch

```

version 12.0(5)T
service timestamps debug uptime
service timestamps log uptime
no service password-encryption
!
hostname peso
!
enable secret 5 $1$.Q00$h3vIhbOw01fPvA2LYx2gE.
enable password cisco
!
ip subnet-zero
!
isdn switch-type primary-5ess
x25 routing

```

```

!
controller T1 0
cablelength short
cablelength short 133
!
controller T1 1
framing esf
clock source line primary
pri-group timeslots 1-24
!
controller T1 2
cablelength short
cablelength short 133
!
controller T1 3
cablelength short
cablelength short 133
!
interface Ethernet0
ip address 172.21.75.3 255.255.255.0
no ip directed-broadcast
!
interface Serial1:23
no ip address
no ip directed-broadcast
encapsulation ppp
dialer pool-member 1
isdn switch-type primary-5ess
isdn incoming-voice modem
no fair-queue
no cdp enable
ppp authentication chap
!
interface Dialer0
no ip address
no ip directed-broadcast
encapsulation x25 dce
no ip mroute-cache
dialer remote-name yen
dialer idle-timeout 180
dialer string 61401
dialer caller 61401
dialer max-call 1
dialer pool 1
x25 address 33333
!
interface Dialer1
no ip address
no ip directed-broadcast
encapsulation x25 dce
no ip mroute-cache
dialer remote-name dinar
dialer idle-timeout 180
dialer string 61403
dialer caller 61403
dialer max-call 1
dialer pool 1
x25 address 44444
!
ip default-gateway 172.21.75.1
no ip classless
ip route 0.0.0.0 0.0.0.0 172.21.75.1
no ip http server
!

```

```

x25 route 11111 interface Dialer0
x25 route 22222 interface Dialer1
x25 route source 11111 interface Dialer1
x25 route input-interface Dialer0 interface Dialer1
!
line con 0
transport input none
line 1 48
line aux 0
line vty 0 4
password cisco
login
line vty 5 100
password cisco
login
!
end

```

Configuration for Dinar

```

version 12.0(5)T
service timestamps debug uptime
service timestamps log uptime
no service password-encryption
!
hostname dinar
!
logging buffered 16384 debugging
enable secret 5 $1$8EjF$4.S0AoMOVa50IAYEMrrFI/
enable password cisco
!
username yen password 0 cisco
username 7701
username drachma password 0 cisco
username AODI password 0 cisco
ip subnet-zero
ip rcmd rcp-enable
ip rcmd rsh-enable
ip rcmd remote-username atirumal
!
isdn switch-type basic-5ess
x25 routing
!
controller T1 0/0
!
interface BRI3/1
no ip address
no ip directed-broadcast
no ip mroute-cache
dialer pool-member 1
isdn switch-type basic-5ess
no fair-queue
!
interface Dialer0
ip address 10.1.1.2 255.0.0.0
no ip directed-broadcast
encapsulation x25
no ip mroute-cache
dialer remote-name yen
dialer idle-timeout 180
dialer string 81060
dialer caller 81060
dialer max-call 1
dialer pool 1

```

```
dialer-group 1
x25 address 22222
x25 map ip 10.1.1.1 11111
!
interface Dialer1
ip address 10.1.1.10 255.0.0.0
no ip directed-broadcast
no ip mroute-cache
dialer in-band
dialer-group 1
no fair-queue
!
ip default-gateway 172.21.75.1
no ip classless
ip route 0.0.0.0 0.0.0.0 172.21.75.1
no ip http server
!
access-list 101 permit ip any any
dialer-list 1 protocol ip list 101
!
x25 route 11111 interface Dialer0
x25 route 44444 interface Dialer0
!
```

Cisco and the Cisco Logo are trademarks of Cisco Systems, Inc. and/or its affiliates in the U.S. and other countries. A listing of Cisco's trademarks can be found at www.cisco.com/go/trademarks. Third party trademarks mentioned are the property of their respective owners. The use of the word partner does not imply a partnership relationship between Cisco and any other company. (1005R)

Any Internet Protocol (IP) addresses and phone numbers used in this document are not intended to be actual addresses and phone numbers. Any examples, command display output, network topology diagrams, and other figures included in the document are shown for illustrative purposes only. Any use of actual IP addresses or phone numbers in illustrative content is unintentional and coincidental.

© 2001–2009 Cisco Systems, Inc. All rights reserved.



Configuring X.25 on ISDN Using AO/DI

The chapter describes how to configure the X.25 on ISDN using the Always On/Dynamic ISDN (AO/DI) feature. It includes the following main sections:

- [AO/DI Overview](#)
- [How to Configure an AO/DI Interface](#)
- [How to Configure an AO/DI Client/Server](#)
- [Configuration Examples for AO/DI](#)

AO/DI supports PPP encapsulation on switched X.25 virtual circuits (VCs) only.

The X.25 encapsulation (per RFC 1356), PPP, Bandwidth Allocation Control Protocol (BACP), and Bandwidth Allocation Protocol (BAP) modules must be present in both the AO/DI client and server.

AO/DI relies on features from X.25, PPP, and BACP modules and must be configured on both the AO/DI client and server. BAP, if negotiated, is a subset of BACP, which is responsible for bandwidth allocation for the Multilink PPP (MLP) peers. It is recommended you configure MLP with the BAP option due to the differences between the ISDN (E.164) and X.25 (X.121) numbering formats.

To implement AO/DI, you must configure the AO/DI client and server for PPP, incorporating BAP and X.25 module commands. This task involves configuring the BRI or PRI interfaces with the appropriate X.25 commands and the dialer interfaces with the necessary PPP or BAP commands.

To identify the hardware platform or software image information associated with a feature, use the Feature Navigator on Cisco.com to search for information about the feature or refer to the software release notes for a specific release. For more information, see the “Identifying Supported Platforms” section in the “Using Cisco IOS Software” chapter.

For a complete description of the commands in this chapter, refer to the [Cisco IOS Dial Technologies Command Reference](#), Release 12.2. To locate documentation of other commands that appear in this chapter, use the command reference master index or search online.

AO/DI Overview

AO/DI functionality is based on the technology modules described in the following sections:

- [PPP over X.25 Encapsulation](#)
- [Multilink PPP Bundle](#)



Americas Headquarters:
Cisco Systems, Inc., 170 West Tasman Drive, San Jose, CA 95134-1706 USA

- [BACP/BAP](#)

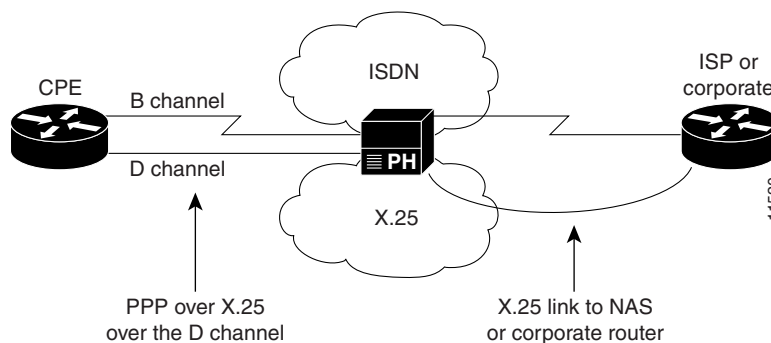
AO/DI is an on-demand service that is designed to optimize the use of an existing ISDN signaling channel (D channel) to transport X.25 traffic. The X.25 D-channel call is placed from the subscriber to the packet data service provider. The use of PPP allows protocols to be encapsulated within the X.25 logical circuit carried by the D channel. The bearer channels (B channels) use the multilink protocol without the standard Q.922 and X.25 encapsulations, and invoke additional bandwidth as needed. Optionally, BACP and BAP can be used to negotiate bandwidth allocation as required.

AO/DI takes full advantage of existing packet handlers at the central office by using an existing D channel to transport the X.25 traffic. The link associated with the X.25 D channel packet connection is used as the primary link of the multilink bundle. The D channel is a connectionless, packet-oriented link between the customer premise equipment (CPE) and the central office. Because the D channel is always available, it is possible to in turn offer “always available” services. On-demand functionality is achieved by using the B channels to temporarily boost data throughput and by disconnecting them after use. [Figure 1](#) shows the AO/DI environment and how ISDN and X.25 resources are implemented.

**Note**

On the client side, the X.25 switched virtual circuit (SVC) can only be terminated on an ISDN D channel; however, on the server side, the SVC can be terminated on an ISDN BRI using a D channel, a PRI using specific time slots, or a high-speed serial link.

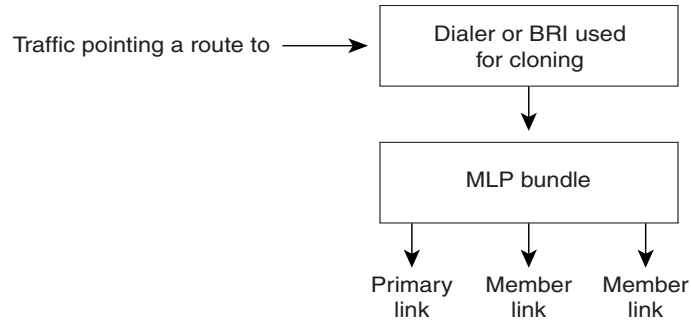
Figure 1 AO/DI Environment



AO/DI provides the following benefits:

- ISDN telecommuting cost savings. Low-speed, D-channel services are typically more cost-efficient than the time-based tariffs applied to the B channels, which usually carry user data.
- Reductions in the amount of data traffic from service provider voice networks. The D-channel X.25 packets are handled at the central office by the X.25 packet handler, thereby routing these packets bypassing the switch, which reduces impact on the telephony network.
- Network access server cost reductions. AO/DI can reduce service provider network access server costs by increasing port efficiencies. Initial use of the “always on” D-channel connection lowers the contention ratio on standard circuit switched dial ports. (See [Figure 2](#).)

Figure 2 *Increasing Port Efficiency with AO/DI*

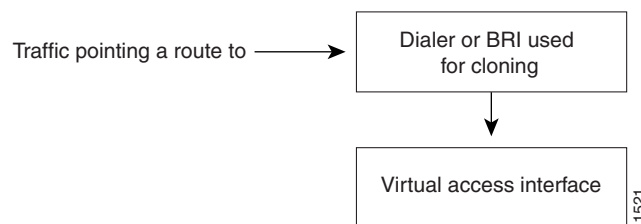


PPP over X.25 Encapsulation

PPP over X.25 is accomplished through the following process:

1. The X.25 map statement on the client side creates a virtual access interface. A virtual access interface is dynamically created and configured by cloning the configuration from a dialer interface (dialer interface 1, for example).
2. The dialer interface goes into “spoofing” mode and stays in this mode until interesting traffic is seen.
3. When interesting traffic is seen, the dialer interface activates the virtual access interface, which creates the X.25 SVC. Once the SVC is established, PPP negotiation begins in order to bring up the line protocol. The client will initiate a call to the remote end server, per the **x25 map ppp** command.
4. When the AO/DI server receives a call intended for its X.25 map statement, the call is accepted and an event is queued to the X.25 encapsulation manager. The encapsulation manager is an X.25 process that authenticates incoming X.25 calls and AO/DI events, and creates a virtual access interface that clones the configuration from the dialer or BRI interface. [Figure 3](#) shows the virtual interface creation process.

Figure 3 *Creating a Virtual Access Interface*



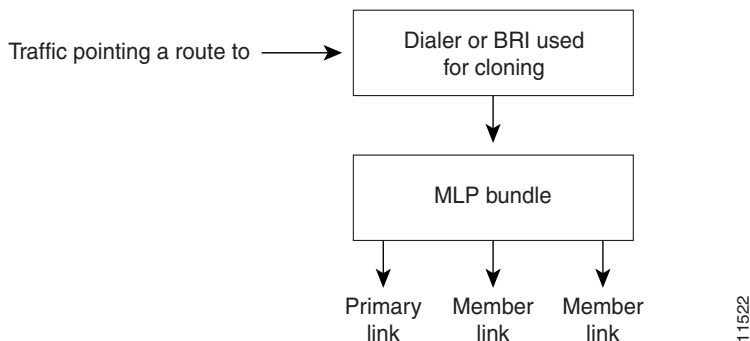
Multilink PPP Bundle

The multilink protocol offers load balancing, packet fragmentation, and the bandwidth allocation functionality that is key to AO/DI structure. The MLP bundle process is achieved through the following process:

1. The **ppp multilink bap** command initiates MLP and, subsequently, BAP. The virtual access interface that is created above the X.25 VC (over the D channel) becomes the first member link of the MLP bundle.

- The **ppp multilink idle-link** command works in conjunction with the **dialer load-threshold** command in order to add B channels as needed to boost traffic throughput. When a B channel is added, the first member link enters “receive only” mode, allowing the link additions. When the higher throughput is no longer needed, the additional B channels are disconnected and the primary link is the only link in the bundle, the bundle disengages “receive only” mode. The X.25 SVC stays active. [Figure 4](#) shows the MLP bundle sequence.

Figure 4 MLP Bundle Creation Sequence



MLP Encapsulation Enhancements

In previous releases of the Cisco IOS software, when MLP was used in a dialer profile, a virtual access interface was always created as the bundle. It was bound to both the B channel and the dialer profile interfaces after creation and cloning. The dialer profile interface could act as the bundle without help from a virtual access interface. But with recent software enhancements, it is no longer the virtual access interface that is added into the connected group of the dialer profile, but the dialer profile itself. The dialer profile becomes a connected member of its own connected group.

BACP/BAP

Bandwidth resources are provided by BACP, described in RFC 2125. Once the MLP peers have successfully negotiated BACP, BAP negotiates bandwidth resources in order to support traffic throughput. BAP is a subset of BACP, and it defines the methods and governing rules for adding and removing links from the bundle for MLP. BACP/BAP negotiations are achieved through the following process:

- Once the MLP session is initiated and BACP is negotiated over the MLP bundle, the AO/DI client issues a BAP call request for additional bandwidth.
- The AO/DI server responds with the BAP call response, which contains the phone number of the B channel to add. B channels are added, as needed, to support the demand for increased traffic throughput.
- B channels are disconnected as the traffic load decreases.

How to Configure an AO/DI Interface

To configure X.25 on ISDN using AO/DI, perform the following tasks:

- [Configuring PPP and BAP on the Client](#) (As required)

- [Configuring X.25 Parameters on the Client](#) (As required)
- [Configuring PPP and BAP on the Server](#) (As required)
- [Configuring X.25 Parameters on the Server](#) (As required)

For examples of how to configure X.25 on ISDN using AO/DI in your network, see the section “[Configuration Examples for AO/DI](#)” at the end of this chapter.

Configuring PPP and BAP on the Client

To configure PPP and BAP under the dialer interface on the AO/DI client, use the following commands in interface configuration mode as needed:

Command	Purpose
Router(config-if)# ppp multilink bap	Enables PPP BACP bandwidth allocation negotiation.
Router(config-if)# encapsulation ppp	Enables PPP on the interface.
Router(config-if)# dialer in-band	Enables dial-on-demand routing (DDR) on the interface.
Router(config-if)# dialer load-threshold load	Sets the dialer load threshold.
Router(config-if)# dialer-group group-number	Controls access to this interface by adding it to a dialer access group.
Router(config-if)# ppp bap callback accept	(Optional) Enables the interface to initiate additional links upon peer request.
Router(config-if)# ppp bap call request	Enables the interface to initiate additional links.
Router(config-if)# dialer map protocol <i>next-hop-address [name hostname] [spc] [speed 56 speed 64] [broadcast] [modem-script modem-regexp] system-script system-regexp</i>	Enables a serial interface or an ISDN interface to initiate and receive calls to or from remote sites.
or	
Router(config-if)# dialer string dial-string [: <i>isdn-subaddress</i>]	Specifies the destination string (telephone number) for calling:
Router(config-if)# dialer string dial-string [class class-name]	<ul style="list-style-type: none"> • A single site (using legacy DDR) • Multiple sites (using dialer profiles)

Configuring X.25 Parameters on the Client

The AO/DI client interface must be configured to run PPP over X.25. To configure the interface for the X.25 parameters, use the following commands in interface configuration mode as needed:

Command	Purpose
Router(config-if)# x25 address address	Configures the X.25 address.
Router(config-if)# x25 htc circuit-number	Sets the highest two-way circuit number. For X.25 the default is 1024.

Command	Purpose
Router(config-if)# x25 win <i>packets</i>	Sets the default VC receive window size. The default is 2 packets. ¹
Router(config-if)# x25 wout <i>packets</i>	Sets the default VC transmit window size. The default is 2 packets. ¹

1. The default input and output window sizes are typically defined by your network administrator. Cisco IOS configured window sizes must be set to match the window size of the network.

For details and usage guidelines for X.25 configuration parameters, refer to the *Cisco IOS Wide-Area Networking Configuration Guide* and *Cisco IOS Wide-Area Networking Command Reference*.

Configuring PPP and BAP on the Server

To configure PPP and BAP under the dialer interface on the AO/DI server, use the following commands in interface configuration mode as needed:

Command	Purpose
Router(config-if)# ppp multilink bap	Enables PPP BACP bandwidth allocation negotiation.
Router(config-if)# encapsulation ppp	Enables PPP on the interface.
Router(config-if)# dialer in-band	Enables DDR on the interface.
Router(config-if)# dialer load-threshold <i>load</i>	Sets the dialer load threshold.
Router(config-if)# dialer-group <i>group-number</i>	Controls access to this interface by adding it to a dialer access group.
Router(config-if)# ppp bap call accept	Enables the interface to accept additional links upon peer request.
Router(config-if)# ppp bap callback request	Enables the interface to initiate additional links (optional).

BAP configuration commands are optional. For information on how to configure BACP/BAP see the chapter “Configuring BACP” later in this publication.

Configuring X.25 Parameters on the Server

The AO/DI server BRI, PRI, or serial interface must be configured for the X.25 parameters necessary to run PPP over X.25. To configure the interface for X.25 parameters, use the following commands in interface configuration mode as needed:

Command	Purpose
Router(config-if)# x25 address <i>address</i>	Configures the X.25 address.
Router(config-if)# x25 htc <i>circuit-number</i>	Sets the highest two-way circuit number. For X.25 the default is 1024.

Command	Purpose
Router(config-if)# x25 win <i>packets</i>	Sets the default VC receive window size. The default is 2 packets. ¹
Router(config-if)# x25 wout <i>packets</i>	Sets the default VC transmit window size. The default is 2 packets. ¹

1. The default input and output window sizes are typically defined by your network administrator. Cisco IOS configured window sizes must be sets to match the window size of the network.

For details and usage guidelines for X.25 configuration parameters, see the *Cisco IOS Wide-Area Networking Configuration Guide* and *Cisco IOS Wide-Area Networking Command Reference*.

How to Configure an AO/DI Client/Server

Once the AO/DI client and server are configured with the necessary PPP, BAP, and X.25 commands, configure the routers to perform AO/DI. Perform the tasks in the following sections:

- [Configuring the AO/DI Client](#) (Required)
- [Configuring the AO/DI Server](#) (Required)

Configuring the AO/DI Client

To configure AO/DI, you must complete the tasks in the following section. The last task, to define local number peer characteristics, is optional.

- [Enabling AO/DI on the Interface](#) (Required)
- [Enabling the AO/DI Interface to Initiate Client Calls](#) (Required)
- [Enabling the MLP Bundle to Add Multiple Links](#) (Required)
- [Modifying BACP Default Settings](#) (Optional)

See the section “[AO/DI Client Configuration Example](#)” at the end of this chapter for an example of how to configure the AO/DI client.

Enabling AO/DI on the Interface

To enable an interface to run the AO/DI client, use the following command in interface configuration mode:

Command	Purpose
Router(config-if)# x25 aodi	Enables the AO/DI client on an interface.

Enabling the AO/DI Interface to Initiate Client Calls

You must enable the interface to establish a PPP session over the X.25 protocol. The cloning interface will hold the PPP configuration, which will be cloned by the virtual access interface that is created and attached to the X.25 VC. The cloning interface must also hold the MLP configuration that is needed to run AO/DI.

To add the X.25 map statement that will enable the PPP session over X.25, identify the cloning interface, and configure the interface to initiate AO/DI calls, use the following command in interface configuration mode:

Command	Purpose
Router(config-if)# x25 map <i>ppp x121-address</i> interface <i>cloning-interface</i>	Enables the interface to initiate a PPP session over the X.25 protocol and remote end mapping.

Enabling the MLP Bundle to Add Multiple Links

Once MLP is enabled and the primary traffic load is reached (based on the **dialer load-threshold** value), the MLP bundle will add member links (B channels). The addition of another B channel places the first link member into “receive-only” mode and subsequent links are added, as needed.

To configure the dialer interface or BRI interface used for cloning purposes and to place the first link member into receive only mode, use the following command in interface configuration mode:

Command	Purpose
Router(config-if)# ppp multilink idle-link	Configures the interface to enter “receive only” mode so that MLP links are added as needed.

Modifying BACP Default Settings

During BACP negotiation between peers, the called party indicates the number to call for BACP. This number may be in either a national or subscriber format. A national format indicates that the phone number returned from the server to the client should contain ten digits. A subscriber number format contains seven digits.

To assign a prefix to the phone number that is to be returned, use the following optional command in interface configuration mode:

Command	Purpose
Router(config-if)# ppp bap number prefix <i>prefix-number</i>	(Optional) specifies a primary telephone number prefix for a peer to call for PPP BACP negotiation.



Note

The **ppp bap number prefix** command is not typically required on the server side, as the server usually does not initiate calls to the client. This command would only be used on the server in a scenario where both sides are configured to act as both client and server.

Configuring the AO/DI Server

The AO/DI server will receive calls from the remote end interface running AO/DI client and likewise, and must be configured to initiate a PPP session over X.25, allow interface cloning, and be capable of adding links to the MLP bundle. The interface configured for AO/DI server relies on the **no-outgoing** option for the **x25 map** command to ensure calls are not originated by the interface. Use the commands in the following sections to configure the AO/DI server:

- [Enabling the Interface to Receive AO/DI Client Calls](#) (Required)
- [Enabling the MLP Bundle to Add Multiple Links](#) (Required)
- [Modifying BACP Default Settings](#) (Optional)

See the section “[AO/DI Server Configuration Example](#)” at the end of this chapter for an example of how to configure the AO/DI server.

Enabling the Interface to Receive AO/DI Client Calls

Configure the **x25 map** command with the X.121 address of the calling client. This task enables the AO/DI server interface to run a PPP over X.25 session with the configured client. The **no-outgoing** option must be set in order to ensure that calls do not originate from this interface.

To configure an interface for AO/DI server, use the following command in interface configuration mode:

Command	Purpose
Router(config-if)# x25 map ppp x121-address interface cloning-interface no-outgoing	Enables the interface to initiate a PPP session over the X.25 protocol and remote end mapping.

Enabling the MLP Bundle to Add Multiple Links

Once MLP is enabled and the primary traffic load is reached (based on the **dialer load-threshold** value), the MLP bundle will add member links (B channels). The addition of another B channel places the first link member into “receive-only” mode and subsequent links are added, as needed.

To configure the dialer interface or BRI interface used for cloning purposes and to place the first link member into receive only mode, use the following command in interface configuration mode:

Command	Purpose
Router(config-if)# ppp multilink idle-link	Configures the interface to enter “receive only” mode so that MLP links are added as needed.

Modifying BACP Default Settings

During BACP negotiation between peers, the called party indicates the number to call for BACP. This number may be in either a national or subscriber format. A national format indicates that the phone number returned from the server to the client should contain 10 digits. A subscriber number format contains 7 digits.

To assign a prefix to the phone number that is to be returned, use the following, optional command in interface configuration mode:

Command	Purpose
Router(config-if)# ppp bap number {format national subscriber}	(Optional) Specifies that the primary telephone number for a peer to call is in either a national or subscriber number format.

**Note**

The **ppp bap number prefix** command is not typically required on the server side, because the server usually does not initiate calls to the client. This command would only be used on the server in a scenario where both sides are configured to act as both client and server.

Configuration Examples for AO/DI

This section provides the following configuration examples:

- [AO/DI Client Configuration Example](#)
- [AO/DI Server Configuration Example](#)

AO/DI Client Configuration Example

The following example shows BRI interface 0 configured with the PPP, multilink, and X.25 commands necessary for the AO/DI client:

```
hostname Router_client
!
ip address-pool local
isdn switch-type basic-5ess
x25 routing
!
interface Ethernet0
 ip address 172.21.71.99 255.255.255.0
!
interface BRI0
 isdn switch-type basic-5ess
 ip address 10.1.1.9 255.0.0.0
 encaps ppp
 dialer in-band
 dialer load-threshold 1 either
 dialer-group 1
 no fair-queue
 ppp authentication chap
 ppp multilink bap
 ppp bap callback accept
 ppp bap call request
 ppp bap number prefix 91
 ppp multilink idle-link
 isdn x25 static-tei 23
 isdn x25 dchannel
 dialer rotary-group 1
!
interface BRI0:0
 no ip address
 x25 address 12135551234
 x25 aodi
 x25 htc 4
 x25 win 3
 x25 wout 3
 x25 map ppp 12135556789 interface bri0
!
dialer-list 1 protocol ip permit
```


AO/DI Server Configuration Example

The following example shows the configuration for the AO/DI server, which is configured to only receive calls from the AO/DI client. The configuration uses the **x25 map ppp** command with the **no-outgoing** option, and the **ppp bap number format** command, which implements the **national** format.

```
hostname Router_server
!
ip address-pool local
isdn switch-type basic-5ess
x25 routing
!
interface Ethernet0
 ip address 172.21.71.100 255.255.255.0
!
interface BRI0
 isdn switch-type basic-5ess
 ip address 10.1.1.10 255.0.0.0
 encaps ppp
 dialer in-band
 no fair-queue
 dialer load-threshold 1 either
 dialer-group 1
 ppp authentication pap
 ppp multilink bap
 ppp multilink idle-link
 ppp bap number default 2135550904
 ppp bap number format national
 ppp bap call accept
 ppp bap timeout pending 20
 isdn x25 static-tei 23
 isdn x25 dchannel
 dialer rotary-group 1
!
interface BRI0:0
 no ip address
 x25 address 12135556789
 x25 htc 4
 x25 win 3
 x25 wout 3
 x25 map ppp 12135551234 interface bri0 no-outgoing
!
dialer
```

Cisco and the Cisco Logo are trademarks of Cisco Systems, Inc. and/or its affiliates in the U.S. and other countries. A listing of Cisco's trademarks can be found at www.cisco.com/go/trademarks. Third party trademarks mentioned are the property of their respective owners. The use of the word partner does not imply a partnership relationship between Cisco and any other company. (1005R)

Any Internet Protocol (IP) addresses and phone numbers used in this document are not intended to be actual addresses and phone numbers. Any examples, command display output, network topology diagrams, and other figures included in the document are shown for illustrative purposes only. Any use of actual IP addresses or phone numbers in illustrative content is unintentional and coincidental.

© 2001–2009 Cisco Systems, Inc. All rights reserved.



Configuring ISDN on Cisco 800 Series Routers

This chapter describes the Common Application Programming Interface (CAPI) and Remote Common Application Programming Interface (RCAPI) feature for the Cisco 800 series routers. This information is included in the following main sections:

- [CAPI and RCAPi Overview](#)
- [How to Configure RCAPi](#)
- [Configuration Examples for RCAPi](#)

The CAPI is an application programming interface standard used to access ISDN equipment connected to ISDN BRIs and ISDN PRIs. RCAPi is the CAPI feature configured remotely from a PC client.

Before you can enable the RCAPi feature on the Cisco 800 series router, the following requirements must be met:

- Cisco 800 series software with RCAPi support is installed on the router.
- CAPI commands are properly configured on the router.
- Both the CAPI local device console and RCAPi client devices on the LAN are correctly installed and configured with RVS-COM client driver software.

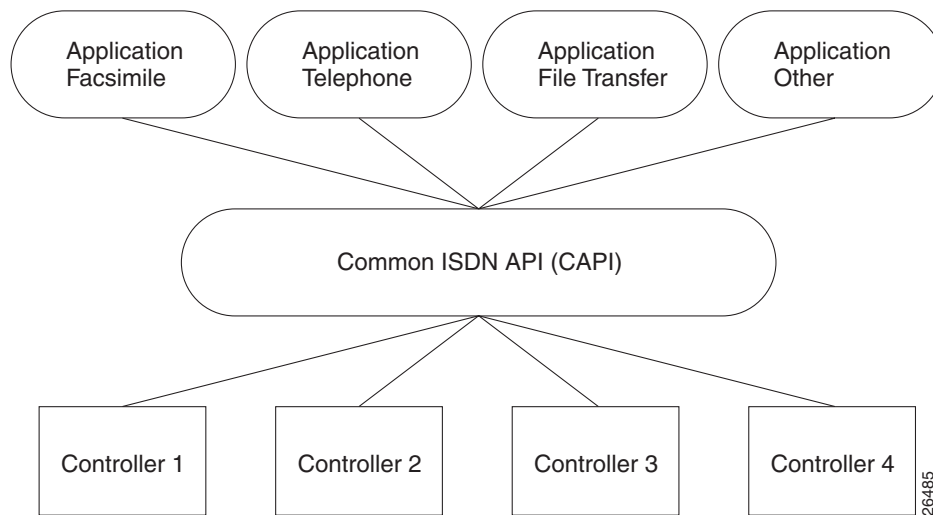
To identify the hardware platform or software image information associated with a feature, use the Feature Navigator on Cisco.com to search for information about the feature or refer to the software release notes for a specific release. For more information see the “Identifying Supported Platforms” section in the “Using Cisco IOS Software” chapter.

For a complete description of the commands in this chapter, refer to the *Cisco IOS Dial Technologies Command Reference*. To locate documentation of other commands that appear in this chapter, use the command reference master index or search online.

CAPI and RCAPi Overview

[Figure 1](#) shows how CAPI connects applications, drivers, and controllers.



Figure 1 CAPI Connections

Framing Protocols

The framing protocols supported by CAPI include High-Level Data Link Control (HDLC), HDLC inverted, bit transparent (speech), and V.110 synchronous/asynchronous.

Data Link and Network Layer Protocols

CAPI integrates the following data link and network layer protocols:

- Link Access Procedure on the D-channel (LAPD) in accordance with Q.921 for X.25 D-channel implementation
- PPP
- ISO 8208 (X.25 DTE-DTE)
- X.25 DCE, T.90NL, and T.30 (fax group 3)

CAPI Features

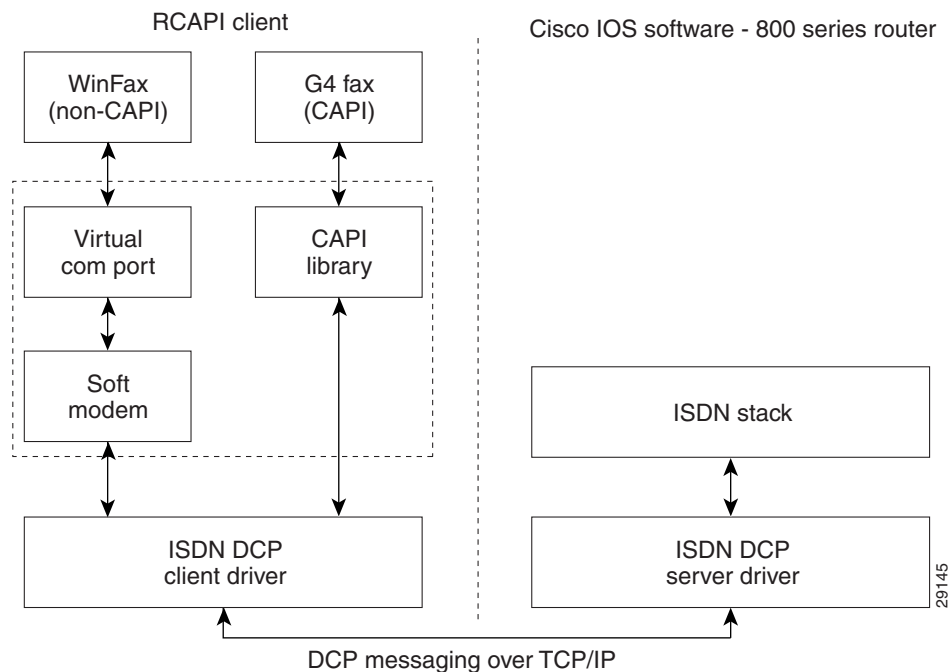
CAPI supports the following features:

- Basic call features, such as call setup and tear-down
- Multiple B channels for data and voice connections
- Multiple logical data link connections within a physical connection
- Selection of different services and protocols during connection setup and on answering incoming calls
- Transparent interface for protocols above Layer 3
- One or more BRIs as well as PRI on one or more Integrated Services Digital Network (ISDN) adapters
- Multiple applications

- Operating-systems-independent messages
- Operating-system-dependent exchange mechanism for optimum operating system integration
- Asynchronous event-driven mechanism, resulting in high throughput
- Well-defined mechanism for manufacturer-specific extensions
- Multiple supplementary services

Figure 2 shows the components of the RAPI implementation.

Figure 2 **Components of RAPI**



CAPI provides a standardized interface through which application programs can use ISDN drivers and controllers. One application can use one or more controllers. Several applications can share one or more controllers.

CAPI supplies a selection mechanism that supports applications that use protocols at different levels and standardized network access. An abstraction from different protocol variables is performed to provide this support. All connection-related data, such as connection state and display messages, is available to the applications at any time.

Supported B-Channel Protocols

The router provides two 64-kbps B channels to RAPI clients. Each B channel can be configured separately to work in either HDLC mode or bit transparent mode. For CAPI support, layers B2 through B7 protocols are transparent to the applications using these B channels.

The ISDN Core Engine of RVS-COM supports the following B-channel protocols:

- CAPI layer B1
 - 64-kbps with HDLC framing

- 64-kbps bit transparent operation with byte framing from the network
- T.30 modem for fax group 3
- Modem with full negotiation
- CAPI layer B2
 - V.120
 - Transparent
 - T.30 modem for fax group 3
 - Modem with full negotiation
- CAPI layer B3
 - Transparent
 - T.90NL with compatibility to T.70NL according to T.90 Appendix II
 - ISO 8208 (X.25 DTE-DTE) modulo 8 and windows size 2, no multiple logical connections
 - T.30 for fax group 3
 - Modem with full negotiation
- T.30 for fax group 3 (SFF file format [default], sending and receiving up to 14400 bit/s with ECM option, modulations V.17, V.21, V.27ter, V.29)
- Analog modem (sending and receiving up to 14,400 bit/s, modulations V.21, V.22, V.22bis, V.23, V.32, V.32bis)

Supported Switch Types

CAPI and RAPI support is available only for the ISDN switch type Net3.

CAPI and RVS-COM

The router supports the ISDN Device Control Protocol (ISDN-DCP) from RVS-COM. ISDN-DCP allows a workstation on the LAN or router to use legacy dial computer telephony integration (CTI) applications. These applications include placing and receiving telephone calls and transmitting and receiving faxes.

Using ISDN-DCP, the router acts as a DCP server. By default, the router listens for DCP messages on TCP port number 2578 (the Internet-assigned number for RVS-COM DCP) on its LAN port.

When the router receives a DCP message from a DCP client (connected to the LAN port of the router), the router processes the message and acts on it; it can send confirmations to the DCP clients and ISDN packets through the BRI port of the router.

When the router receives packets destined for one of the DCP clients on its BRI port, the router formats the packet as a DCP message and sends it to the corresponding client. The router supports all the DCP messages specified in the ISDN-DCP specifications defined by RVS-COM.

Supported Applications

ISDN-DCP supports CAPI and non-CAPI applications. Applications are supported that use one or two B channels for data transfer, different HDLC-based protocols, Euro File transfer, or G4 fax; also supported are applications that send bit-transparent data such as A/Mu law audio, G3 fax, analog modem, or analog telephones.

How to Configure RAPI

To configure RAPI, perform the tasks in the following sections:

- [Configuring RAPI on the Cisco 800 Series Router](#) (Required)
- [Monitoring and Maintaining RAPI](#) (Optional)
- [Troubleshooting RAPI](#) (Optional)

Configuring RAPI on the Cisco 800 Series Router

To configure RAPI on the Cisco 800 series router, use the following commands beginning in global configuration mode:

	Command	Purpose
Step 1	<code>Router(config)# isdn switch-type basic-net3</code>	Sets the switch type. In this example, the switch type is set to NET3 ISDN, which covers the Euro-ISDN E-DSS1 signaling system and is ETSI-compliant.
Step 2	<code>Router(config)# rcapi number number</code>	Enters the RAPI directory number assigned by the ISDN provider for the device. An example command: <code>rcapi number 12345.</code>
Step 3	<code>Router(config)# rcapi server port number</code>	The <code>rcapi server</code> command is mandatory for RAPI to be enabled on the router. The parameter port is optional and is entered only when you need to specify a port number for RAPI functions. Otherwise, the default port 2578 is used. An example command with default port 2578: <code>rcapi server port</code> An example command with port 2000: <code>rcapi server port 2000</code> Configure the same number on both the router and the client PC.
Step 4	<code>Router(config)# interface bri0</code>	Configures the ISDN BRI interface and begins interface configuration mode.

	Command	Purpose
Step 5	Router(config-if)# isdn switch-type basic-net3	Sets the switch type for the bri0 interface. In this example, the switch type is set to NET3 ISDN, which covers the Euro-ISDN E-DSS1 signaling system and is ETSI-compliant.
Step 6	Router(config-if)# isdn incoming-voice modem	Sets the modem as the default handler for incoming voice calls.

**Note**

If required, at each remote device console change to global configuration mode, using the command **configure terminal**, and repeat Step 2 through Step 7 to configure that device.

Monitoring and Maintaining RAPI

To monitor and maintain RAPI, use the following command in privileged EXEC mode:

Command	Purpose
Router# show rapi status	Displays RAPI status.

Troubleshooting RAPI

To test the RAPI operation, use the following command in privileged EXEC mode

Command	Purpose
Router# debug rapi events	Starts a background debug program.

Configuration Examples for RAPI

The following configuration output example shows two Cisco 800 series routers configured for RAPI:

Router 1

```
Router1# show running-config

Building configuration...

Current configuration:
!
version xx.x
service timestamps debug uptime
service timestamps log uptime
no service password-encryption
!
hostname local
!
ip subnet-zero
!
isdn switch-type basic-net3
```



```
isdn voice-call-failure 0
!
interface Ethernet0
 ip address 192.168.2.1 255.255.255.0
 no ip directed-broadcast
!
interface BRI0
 no ip address
 no ip directed-broadcast
 isdn switch-type basic-net3
 isdn incoming-voice modem
!
no ip http server
ip classless
!
line con 0
 transport input none
 stopbits 1
line vty 0 4
!
rcapi server port 2578
!
rcapi number 5551000
rcapi number 5553000
!
end

Router1#
```

Router 2

```
Router2# show running-config
```

```
Building configuration...
```

```
Current configuration:
```

```
!
version 12.0
service timestamps debug uptime
service timestamps log uptime
no service password-encryption
!
hostname local
!
ip subnet-zero
!
isdn switch-type basic-net3
isdn voice-call-failure 0
!
interface Ethernet0
 ip address 192.168.1.1 255.255.255.0
 no ip directed-broadcast
!
interface BRI0
 no ip address
 no ip directed-broadcast
 isdn switch-type basic-net3
 isdn incoming-voice modem
!
no ip http server
ip classless
!
```

```
line con 0
  transport input none
  stopbits 1
line vty 0
!
rcapi server port 2578
!
rcapi number 5552000
rcapi number 5554000
!
end

Router2#
```

Cisco and the Cisco Logo are trademarks of Cisco Systems, Inc. and/or its affiliates in the U.S. and other countries. A listing of Cisco's trademarks can be found at www.cisco.com/go/trademarks. Third party trademarks mentioned are the property of their respective owners. The use of the word partner does not imply a partnership relationship between Cisco and any other company. (1005R)

Any Internet Protocol (IP) addresses used in this document are not intended to be actual addresses. Any examples, command display output, and figures included in the document are shown for illustrative purposes only. Any use of actual IP addresses in illustrative content is unintentional and coincidental.

© 2007–2009 Cisco Systems, Inc. All rights reserved.



Signaling Configuration



Cisco IOS Software Feature Removal

Feature History

Release	Modification
12.2(13)T	Features described in this feature module were removed in 12.2(13)T.
12.2(15)T	Features described in this feature module were removed in 12.2(15)T.

Feature Overview

The Cisco IOS Software Feature Removal feature is an engineering project to permanently remove selected legacy features (or components) from the Cisco IOS code. These features will not be available in future releases of Cisco IOS software.

The legacy features that have been removed as of Release 12.2(13)T are as follows:

- [AppleTalk EIGRP](#)
- [Apollo Domain](#)
- [Banyan VINES](#)
- [Exterior Gateway Protocol](#)
- [HP Probe](#)
- [Interior Gateway Routing Protocol](#)
- [Next Hop Resolution Protocol for IPX](#)
- [Novell Link-State Protocol](#)
- [Simple Multicast Routing Protocol for AppleTalk](#)
- [Xerox Network Systems](#)

The legacy features that have been removed as of Release 12.2(15)T are as follows:

- [LAN Extension](#)
- [Netware Asynchronous Services Interface Protocol](#)
- [Xremote](#)



This feature module lists the commands that have been removed from or modified in Cisco IOS software with the removal of a specified feature.

**Note**

Commands that have been modified may not all be listed in this document.

AppleTalk EIGRP

The following commands have been removed from or modified in Cisco IOS software with the removal of the AppleTalk EIGRP feature. Please note that not all commands that may have been modified are listed here:

- **appletalk eigrp active-time**
- **appletalk eigrp-bandwidth-percentage**
- **appletalk eigrp log-neighbor-changes**
- **appletalk eigrp-splithorizon**
- **appletalk eigrp-timers**
- **appletalk route-redistribution**
- **debug apple eigrp-all**
- **show appletalk eigrp interfaces**
- **show appletalk eigrp neighbors**
- **show appletalk eigrp topology**

Apollo Domain

The following commands have been removed from or modified in Cisco IOS software with the removal of the Apollo Domain feature:

- **apollo access-group**
- **apollo access-list**
- **apollo maximum-paths**
- **apollo network**
- **apollo route**
- **apollo routing**
- **apollo update-time**
- **debug packet**
- **ping**
- **show apollo arp**
- **show apollo interface**
- **show apollo route**
- **show apollo traffic**

Banyan VINES

The following commands have been removed from or modified in Cisco IOS software with the removal of the Banyan VINES feature:

- **clear vines cache**
- **clear vines ipc**
- **clear vines neighbor**
- **clear vines route**
- **clear vines traffic**
- **debug frame-relay**
- **debug packet**
- **debug vines arp**
- **debug vines echo**
- **debug vines ipc**
- **debug vines netrpc**
- **debug vines packet**
- **debug vines routing**
- **debug vines service**
- **debug vines state**
- **debug vines table**
- **show vines access**
- **show vines cache**
- **show vines host**
- **show vines interface**
- **show vines ipc**
- **show vines neighbor**
- **show vines route**
- **show vines service**
- **show vines traffic**
- **trace (VINES)**
- **vines access-group**
- **vines access-list (extended)**
- **vines access-list (simple)**
- **vines access-list (standard)**
- **vines arp-enable**
- **vines decimal**
- **vines encapsulation**
- **vines enhancements**

- **vines host**
- **vines input-network-filter**
- **vines input-router-filter**
- **vines metric**
- **vines neighbor**
- **vines output-network-filter**
- **vines propagate**
- **vines redirect**
- **vines route**
- **vines route-cache**
- **vines routing**
- **vines serverless**
- **vines single-route**
- **vines split-horizon**
- **vines srtp-enabled**
- **vines time access-group**
- **vines time destination**
- **vines time participate**
- **vines time services**
- **vines time set-system**
- **vines time use-system**
- **vines update deltas**
- **vines update interval**

Exterior Gateway Protocol

No commands were removed from or modified in Cisco IOS software with the removal of the EGP feature.

HP Probe

The following commands have been removed from or modified in Cisco IOS software with the removal of the HP Probe feature:

- **arp (interface) probe**
- **ip hp-host**
- **ip probe proxy**

Interior Gateway Routing Protocol

The following commands have been removed from or modified in Cisco IOS software with the removal of the IGRP feature:

- **debug clns igrp packets**
- **debug ip igrp events**
- **debug ip igrp transactions**
- **debug ip routing**
- **default-metric (IGRP)**
- **ip split-horizon (IGRP)**
- **metric holddown**
- **metric maximum-hops**
- **metric weights (IGRP)**
- **neighbor (IGRP)**
- **network (IGRP)**
- **offset-list (IGRP)**
- **router igrp**
- **set metric (IGRP)**
- **timers basic (IGRP)**
- **traffic-share balanced**

LAN Extension

No commands were removed from or modified in Cisco IOS software with the removal of the LAN Extension feature.

Netware Asynchronous Services Interface Protocol

The following commands have been removed from or modified in Cisco IOS software with the removal of the NASi protocol:

- **aaa authentication nasi**
- **ipx nasi-server enable**
- **nasi authentication**
- **show ipx nasi connections**

Next Hop Resolution Protocol for IPX

The following commands have been removed from or modified in Cisco IOS software with the removal of the NHRP for IPX feature:

- **clear ipx nhrp**

- **debug nhrp**
- **debug nhrp extension**
- **debug nhrp options**
- **debug nhrp packet**
- **debug nhrp rate**
- **ipx nhrp authentication**
- **ipx nhrp holdtime**
- **ipx nhrp interest**
- **ipx nhrp map**
- **ipx nhrp max-send**
- **ipx nhrp network-id**
- **ipx nhrp nhs**
- **ipx nhrp record**
- **ipx nhrp responder**
- **ipx nhrp use**
- **show ipx nhrp**
- **show ipx nhrp traffic**

Novell Link-State Protocol

The following commands have been removed from or modified in Cisco IOS software with the removal of the NLSP feature:

- **access-list (NLSP)**
- **area-address (NLSP)**
- **clear ipx nlsr neighbors**
- **clear ipx route**
- **clear ipx traffic**
- **deny (NLSP)**
- **distribute-list in**
- **distribute-list out**
- **distribute-sap-list in**
- **distribute-sap-list out**
- **ipx access-list**
- **ipx advertise-default-route-only**
- **ipx flooding-unthrottled**
- **ipx internal-network**
- **ipx nlsr csnr-interval**
- **ipx nlsr enable**

- **ipx nlsip hello-interval**
- **ipx nlsip hello-multiplier**
- **ipx nlsip lsp-interval**
- **ipx nlsip metric**
- **ipx nlsip multicast**
- **ipx nlsip priority**
- **ipx nlsip retransmit-interval**
- **ipx nlsip rip**
- **ipx nlsip sap**
- **ipx ping-default**
- **ipx potential-pseudonode**
- **ipx route**
- **ipx router**
- **log-adjacency-changes**
- **multicast (NLSP)**
- **permit (NLSP)**
- **redistribute (IPX)**
- **route-aggregation**
- **show ipx nlsip database**
- **show ipx nlsip neighbors**
- **show ipx nlsip spf-log**
- **show ipx route**
- **show ipx traffic**

Simple Multicast Routing Protocol for AppleTalk

The following commands have been removed from or modified in Cisco IOS software with the removal of the SMRP for AppleTalk feature:

- **clear smrp mcache**
- **debug smrp all**
- **debug smrp group**
- **debug smrp mcache**
- **debug smrp neighbor**
- **debug smrp port**
- **debug smrp route**
- **debug smrp transaction**
- **show smrp forward**
- **show smrp globals**

- **show smrp group**
- **show smrp mcache**
- **show smrp neighbor**
- **show smrp port**
- **show smrp route**
- **show smrp traffic**
- **smrp mroute-cache protocol appletalk**
- **smrp protocol appletalk**
- **smrp routing**

Xerox Network Systems

The following commands have been removed from or modified in Cisco IOS software with the removal of the XNS feature:

- **access-list (XNS extended)**
- **access-list (XNS standard)**
- **debug xns packet**
- **debug xns routing**
- **show xns cache**
- **show xns interface**
- **show xns route**
- **show xns traffic**
- **xns access-group**
- **xns encapsulation**
- **xns flood broadcast allnets**
- **xns flood broadcast net-zero**
- **xns flood specific allnets**
- **xns forward-protocol**
- **xns hear-rip**
- **xns helper-address**
- **xns input-network-filter**
- **xns maximum-paths**
- **xns network**
- **xns output-network-filter**
- **xns route**
- **xns route-cache**
- **xns router-filter**
- **xns routing**

- **xns ub-emulation**
- **xns update-time**

Xremote

The following commands have been removed from or modified in Cisco IOS software with the removal of the Xremote feature:

- **show xremote**
- **show xremote line**
- **xremote**
- **xremote lat**
- **xremote tftp buffersize**
- **xremote tftp host**
- **xremote tftp retries**

Cisco and the Cisco Logo are trademarks of Cisco Systems, Inc. and/or its affiliates in the U.S. and other countries. A listing of Cisco's trademarks can be found at www.cisco.com/go/trademarks. Third party trademarks mentioned are the property of their respective owners. The use of the word partner does not imply a partnership relationship between Cisco and any other company. (1005R)

Any Internet Protocol (IP) addresses used in this document are not intended to be actual addresses. Any examples, command display output, and figures included in the document are shown for illustrative purposes only. Any use of actual IP addresses in illustrative content is unintentional and coincidental.

© 2007–2009 Cisco Systems, Inc. All rights reserved.



Configuring ISDN PRI

This chapter describes how to configure channelized E1 and channelized T1 for ISDN PRI and for two types of signaling to support analog calls over digital lines. This information is included in the following sections:

- [Signaling Overview](#)
- [How to Configure ISDN PRI](#)
- [Monitoring and Maintaining ISDN PRI Interfaces](#)
- [How to Configure Robbed-Bit Signaling for Analog Calls over T1 Lines](#)
- [How to Configure CAS](#)
- [How to Configure Switched 56K Digital Dial-In over Channelized T1 and Robbed-Bit Signaling](#)
- [How to Configure Switched 56K Services](#)
- [How to Configure E1 R2 Signaling](#)
- [Enabling R1 Modified Signaling in Taiwan](#)
- [Configuration Examples for Channelized E1 and Channelized T1](#)

In addition, this chapter describes how to run interface loopback diagnostics on channelized E1 and channelized T1 lines. For more information, see the “[How to Configure Switched 56K Digital Dial-In over Channelized T1 and Robbed-Bit Signaling](#)” section later in this chapter, and the *Cisco IOS Interface Configuration Guide*, Release 12.2.

For hardware technical descriptions and for information about installing the controllers and interfaces, refer to the hardware installation and maintenance publication for your particular product.

To identify the hardware platform or software image information associated with a feature, use the Feature Navigator on Cisco.com to search for information about the feature or refer to the software release notes for a specific release. For more information, see the “Identifying Supported Platforms” section in the “Using Cisco IOS Software” chapter.

For a complete description of the channelized E1/T1 commands in this chapter, refer to the *Cisco IOS Dial Technologies Command Reference*. To locate documentation of other commands that appear in this chapter, use the command reference master index or search online.



Signaling Overview

Channelized T1 and channelized E1 can be configured for ISDN PRI, synchronous serial, and asynchronous serial communications.

Channelized T1 and channelized E1 are supported by corresponding controllers. Each T1 or E1 controller has one physical network termination, but it can have many virtual interfaces, depending on the configuration.

In-Band and Out-of-Band Signaling

The terms *in-band* and *out-of-band* indicate whether various signals—which are used to set up, control, and terminate calls—travel in the same channel (or band) with voice calls or data made by the user, or whether those signals travel in a separate channel (or band).

ISDN, which uses the D channel for signaling and the B channels for user data, fits into the out-of-band signaling category.

Robbed-bit signaling, which uses bits from specified frames in the user data channel for signaling, fits into the in-band signaling category.

Channel-associated signaling (CAS), which uses E1 time slot 16 (the D channel) for signaling, fits into the out-of-band signaling category.

Channelized E1 and T1 on Cisco Devices

You can allocate the available channels for channelized E1 or T1 in the following ways:

- All channels can be configured to support ISDN PRI. Channelized T1 ISDN PRI offers 23 B channels and 1 D channel. Channelized E1 ISDN PRI offers 30 B channels and 1 D channel. Channel 24 is the D channel for T1, and channel 16 is the D channel for E1.
- If you are not running ISDN PRI, all channels can be configured to support robbed-bit signaling, which enables a Cisco modem to receive and send analog calls.
- All channels can be configured in a single channel group. For configuration information about this leased line or nondial use, see the “Configuring Serial Interfaces” chapter in the *Cisco IOS Interface Configuration Guide*.
- Mix and match channels supporting ISDN PRI and channel grouping.
- Mix and match channels supporting ISDN PRI, robbed-bit signaling, and channel grouping across the same T1 line. For example, on the same channelized T1 line you can configure the **pri-group timeslots 1-10** command, **channel-group 11 timeslots 11-16** command, and **cas-group 17 timeslots 17-23 type e&m-fgb** command. This is a rare configuration because it requires you to align the correct range of time slots on both ends of the connection.

See the sections “[PRI Groups and Channel Groups on the Same Channelized T1 Controller Example](#),” “[Robbed-Bit Signaling Examples](#),” and the “[ISDN CAS Examples](#)” at the end of this chapter.

How to Configure ISDN PRI

This section describes tasks that are required to get ISDN PRI up and running. This section does not address routing issues, dialer configuration, and dial backup. For information about those topics, see the chapters in the “Dial-on-Demand Routing” part of this manual.

To configure ISDN PRI, perform the tasks in the following sections:

- [Requesting PRI Line and Switch Configuration from a Telco Service Provider](#) (Required)
- [Configuring Channelized E1 ISDN PRI](#) (As required)
- [Configuring Channelized T1 ISDN PRI](#) (As required)
- [Configuring the Serial Interface](#) (Required)
- [Configuring NSF Call-by-Call Support](#) (Primary-4ESS Only)
- [Configuring Multiple ISDN Switch Types](#) (Optional)
- [Configuring B Channel Outgoing Call Order](#) (Optional)
- [Performing Configuration Self-Tests](#) (Optional)

See the section “[Monitoring and Maintaining ISDN PRI Interfaces](#)” later in this chapter for tips on maintaining the ISDN PRI interface. See the end of this chapter for the “[ISDN PRI Examples](#)” section.

**Note**

After the ISDN PRI interface and lines are operational, configure the D-channel interface for dial-on-demand routing (DDR). The DDR configuration specifies the packets that can trigger outgoing calls, specifies whether to place or receive calls, and provides the protocol, address, and phone number to use.

Requesting PRI Line and Switch Configuration from a Telco Service Provider

Before configuring ISDN PRI on your Cisco router, you need to order a correctly provisioned ISDN PRI line from your telecommunications service provider.

This process varies dramatically from provider to provider on a national and international basis. However, some general guidelines follow:

- Verify if the outgoing B channel calls are made in ascending or descending order. Cisco IOS default is descending order however, if the switch from the service providers is configured for outgoing calls made in ascending order, the router can be configured to match the switch configuration of the service provider.
- Ask for delivery of calling line identification. Providers sometimes call this CLI or automatic number identification (ANI).
- If the router will be attached to an ISDN bus (to which other ISDN devices might be attached), ask for point-to-multipoint service (subaddressing is required) and a voice-and-data line.

[Table 1](#) provides a sample of the T1 configuration attributes you might request for a PRI switch used in North America.

Table 1 North American PRI Switch Configuration Attributes

Attribute	Value
Line format	Extended Superframe Format (ESF)
Line coding	Binary 8-zero substitution (B8ZS)
Call type	23 incoming channels and 23 outgoing channels
Speed	64 kbps
Call-by-call capability	Enabled
Channels	23 B + D
Trunk selection sequence	Either ascending order (from 1 to 23) or descending order (from 23 to 1)
B + D glare	Yield
Directory numbers	Only 1 directory number assigned by service provider
SPIDs required?	None

Configuring Channelized E1 ISDN PRI

To configure ISDN PRI on a channelized E1 controller, use the following commands beginning in global configuration mode:

	Command	Purpose
Step 1	<code>Router(config)# isdn switch-type switch-type</code>	Selects a service provider switch type that accommodates PRI. (See Table 2 for a list of supported switch type keywords.)
Step 2	<code>Router(config)# controller e1 slot/port</code> or <code>Router(config)# controller e1 number</code>	Defines the controller location in the Cisco 7200 or Cisco 7500 series router by slot and port number. Defines the controller location in the Cisco 4000 series or the Cisco AS5200 universal access server by unit number. ¹
Step 3	<code>Router(config-controller)# framing crc4</code>	Defines the framing characteristics as cyclic redundancy check 4 (CRC4).
Step 4	<code>Router(config-controller)# linecode hdb3</code>	Defines the line code as high-density bipolar 3 (HDB3).
Step 5	<code>Router(config-controller)# pri-group [timeslots range]</code>	Configures ISDN PRI.

1. Controller numbers range from 0 to 2 on the Cisco 4000 series and from 1 to 2 on the Cisco AS5000 series access server.

If you do not specify the time slots, the specified controller is configured for 30 B channels and 1 D channel. The B channel numbers range from 1 to 31; channel 16 is the D channel for E1. Corresponding serial interfaces numbers range from 0 to 30. In commands, the D channel is **interface serial controller-number:15**. For example, **interface serial 0:15**.

Table 2 lists the keywords for the supported service provider switch types to be used in Step 1 above.

Table 2 ISDN Service Provider PRI Switch Types

Switch Type Keywords	Description/Use
Voice/PBX Systems	
primary-qsig	Supports QSIG signaling per Q.931. Network side functionality is assigned with the isdn protocol-emulate command.
Australia and Europe	
primary-net5	NET5 ISDN PRI switch types for Asia, Australia, and New Zealand; ETSI-compliant switches for Euro-ISDN E-DSS1 signaling system.
Japan	
primary-ntt	Japanese NTT ISDN PRI switches.
North America	
primary-4ess	Lucent (AT&T) 4ESS switch type for the United States.
primary-5ess	Lucent (AT&T) 5ESS switch type for the United States.
primary-dms100	Nortel DMS-100 switch type for the United States.
primary-ni	National ISDN switch type.
All Users	
none	No switch defined.



Note

For information and examples for configuring ISDN PRI for voice, video, and fax applications, refer to the *Cisco IOS Voice, Video, and Fax Applications Configuration Guide*.

Configuring Channelized T1 ISDN PRI

To configure ISDN PRI on a channelized T1 controller, use the following commands beginning in global configuration mode:

	Command	Purpose
Step 1	Router(config)# isdn switch-type <i>switch-type</i>	Selects a service provider switch type that accommodates PRI. (Refer to Table 2 for a list of supported PRI switch type keywords.)
Step 2	Router(config)# controller t1 <i>slot/port</i> or Router(config)# controller t1 <i>number</i>	Specifies a T1 controller on a Cisco 7500. Specifies a T1 controller on a Cisco 4000. ¹
Step 3	Router(config-controller)# framing esf	Defines the framing characteristics as Extended Superframe Format (ESF).

	Command	Purpose
Step 4	Router(config-controller)# linecode b8zs	Defines the line code as binary 8 zero substitution (B8ZS).
Step 5	Router(config-controller)# pri-group [timeslots range] ²	Configures ISDN PRI. If you do not specify the time slots, the controller is configured for 23 B channels and 1 D channel.

1. Controller numbers range from 0 to 2 on the Cisco 4000 series and from 1 to 2 on the Cisco AS5000 series.
2. On channelized T1, time slots range from 1 to 24. You can specify a range of time slots (for example, **pri-group timeslots 12-24**) if other time slots are used for non-PRI channel groups.

If you do not specify the time slots, the specified controller is configured for 24 B channels and 1 D channel. The B channel numbers range from 1 to 24; channel 24 is the D channel for T1. Corresponding serial interfaces numbers range from 0 to 23. In commands, the D channel is **interface serial controller-number:23**. For example, **interface serial 0:23**.

Configuring the Serial Interface

When you configure ISDN PRI on the channelized E1 or channelized T1 controller, in effect you create a serial interface that corresponds to the PRI group time slots. This interface is a logical entity associated with the specific controller. After you create the serial interface by configuring the controller, you must configure the D channel serial interface. The configuration applies to all the PRI B channels (time slots).

To configure the D channel serial interface, perform the tasks in the following sections:

- [Specifying an IP Address for the Interface](#) (Required)
- [Configuring Encapsulation on ISDN PRI](#) (Required)
- [Configuring Network Addressing](#) (Required)
- [Configuring ISDN Calling Number Identification](#) (As Required)
- [Overriding the Default TEI Value](#) (As Required)
- [Configuring a Static TEI](#) (As Required)
- [Configuring Incoming ISDN Modem Calls](#) (As Required)
- [Filtering Incoming ISDN Calls](#) (As Required)
- [Configuring the ISDN Guard Timer](#) (Optional)
- [Configuring Inclusion of the Sending Complete Information Element](#) (Optional)
- [Configuring ISDN PRI B-Channel Busyout](#) (Optional)

Specifying an IP Address for the Interface

To configure the D channel serial interface created for ISDN PRI, use the following commands beginning in global configuration mode:

	Command	Purpose
Step 1	Router(config)# interface serial <i>slot/port:23</i> Router(config)# interface serial <i>number:23</i>	Specifies D channel on the serial interface for channelized T1 and begins interface configuration mode.
	OR Router(config)# interface serial <i>slot/port:15</i> Router(config)# interface serial <i>number:15</i>	
Step 2	Router(config-if)# ip address <i>ip-address</i>	Specifies an IP address for the interface.

When you configure the D channel, its configuration is applied to all the individual B channels.

Configuring Encapsulation on ISDN PRI

PPP encapsulation is configured for most ISDN communication. However, the router might require a different encapsulation for traffic sent over a Frame Relay or X.25 network, or the router might need to communicate with devices that require a different encapsulation protocol.

Configure encapsulation as described in one of the following sections:

- [Configuring PPP Encapsulation](#)
- [Configuring Encapsulation for Frame Relay or X.25 Networks](#)
- [Configuring Encapsulation for Combinet Compatibility](#)

In addition, the router can be configured for automatic detection of encapsulation type on incoming calls. To configure this feature, complete the tasks in the “[Configuring Automatic Detection of Encapsulation Type of Incoming Calls](#)” section.



Note

See the sections “Dynamic Multiple Encapsulations” and “Configuring Encapsulation on ISDN BRI” in the chapter “Configuring ISDN BRI” for information about the Cisco Dynamic Multiple Encapsulations feature.

Configuring PPP Encapsulation

Each ISDN B channel is treated as a serial line and supports HDLC and PPP encapsulation. The default serial encapsulation is HDLC. To configure PPP encapsulation, use the following command in interface configuration mode:

Command	Purpose
Router(config-if)# encapsulation ppp	Configures PPP encapsulation.

Configuring Encapsulation for Frame Relay or X.25 Networks

If traffic from this ISDN interface crosses a Frame Relay or X.25 network, the appropriate addressing and encapsulation tasks must be completed as required for Frame Relay or X.25 networks.

See the sections “Sending Traffic over Frame Relay, X.25, or LAPB Networks” in the chapter “Configuring Legacy DDR Spokes” for more information about addressing, encapsulation, and other tasks necessary to configure Frame Relay or X.25 networks.

Configuring Encapsulation for Combinet Compatibility

Historically, Combinet devices supported only the Combinet Proprietary Protocol (CPP) for negotiating connections over ISDN B channels. To enable Cisco routers to communicate with those Combinet bridges, the Cisco IOS software supports the CPP encapsulation type.

To enable routers to communicate over ISDN interfaces with Combinet bridges that support only CPP, use the following commands in interface configuration mode:

	Command	Purpose
Step 1	Router(config-if)# encapsulation cpp	Specifies CPP encapsulation.
Step 2	Router(config-if)# cpp callback accept	Enables CPP callback acceptance.
Step 3	Router(config-if)# cpp authentication	Enables CPP authentication.

Most Combinet devices support PPP. Cisco routers can communicate over ISDN with these devices by using PPP encapsulation, which supports both routing and fast switching.

Cisco 700 and 800 series routers and bridges (formerly Combinet devices) support only IP, IPX, and bridging. For AppleTalk, Cisco routers automatically perform half-bridging with Combinet devices. For more information about half-bridging, see the section “Configuring PPP Half-Bridging” in the “Configuring Media-Independent PPP and Multilink PPP” chapter in this publication.

Cisco routers can also half-bridge IP and IPX with Combinet devices that support only CPP. To configure this feature, you only need to set up the addressing with the ISDN interface as part of the remote subnet; no additional commands are required.

Configuring Automatic Detection of Encapsulation Type of Incoming Calls

You can enable a serial or ISDN interface to accept calls and dynamically change the encapsulation in effect on the interface when the remote device does not signal the call type. For example, if an ISDN call does not identify the call type in the Lower Layer Compatibility fields and is using an encapsulation that is different from the one configured on the interface, the interface can change its encapsulation type at that time.

This feature enables interoperation with ISDN terminal adapters that use V.120 encapsulation but do not signal V.120 in the call setup message. An ISDN interface that by default answers a call as synchronous serial with PPP encapsulation can change its encapsulation and answer such calls.

Automatic detection is attempted for the first 10 seconds after the link is established or the first 5 packets exchanged over the link, whichever is first.

To enable automatic detection of encapsulation type, use the following command in interface configuration mode:

Command	Purpose
Router(config-if)# autodetect encapsulation encapsulation-type	Enables automatic detection of encapsulation type on the specified interface.

You can specify one or more encapsulations to detect. Cisco IOS software currently supports automatic detection of PPP and V.120 encapsulations.

Configuring Network Addressing

When you configure networking, you specify how to reach the remote recipient. To configure network addressing, use the following commands in interface configuration mode:

	Command	Purpose
Step 1	<pre>Router(config-if)# dialer map protocol next-hop-address name hostname speed 56 64 dial-string[:isdn-subaddress]</pre> <p>or</p> <pre>Router(config-if)# dialer map protocol next-hop-address name hostname spc [speed 56 64] [broadcast] dial-string[:isdn-subaddress]</pre>	<p>Defines the protocol address of the remote recipient, host name, and dialing string; optionally, provides the ISDN subaddress; sets the dialer speed to 56 or 64 kbps, as needed.</p> <p>(Australia) Uses the spc keyword that enables ISDN semipermanent connections.</p>
Step 2	<pre>Router(config-if)# dialer-group group-number</pre>	<p>Assigns the interface to a dialer group to control access to the interface.</p>
Step 3	<pre>Router(config-if)# dialer-list dialer-group list access-list-number</pre>	<p>Associates the dialer group number with an access list number.</p>
Step 4	<pre>Router(config-if)# access-list access-list-number {deny permit} protocol source address source-mask destination destination-mask</pre>	<p>Defines an access list permitting or denying access to specified protocols, sources, or destinations.</p>

Australian networks allow semipermanent connections between customer routers with PRIs and the TS-014 ISDN PRI switches in the exchange. Semipermanent connections are offered at better pricing than leased lines.

Packets that are permitted by the access list specified by the **dialer-list** command are considered interesting and cause the router to place a call to the identified destination protocol address.



Note

The access list reference in Step 4 of this task list is an example of the access list commands allowed by different protocols. Some protocols might require a different command form or might require multiple commands. See the relevant chapter in the appropriate network protocol configuration guide (for example, the *Cisco IOS AppleTalk and Novell IPX Configuration Guide*) for more information about setting up access lists for a protocol.

For more information about defining outgoing call numbers, see the sections “Configuring Access Control for Outgoing Calls” in the chapters “Configuring Legacy DDR Spokes” or “Configuring Legacy DDR Hubs” later in this publication.

Configuring ISDN Calling Number Identification

A router might need to supply the ISDN network with a billing number for outgoing calls. Some networks offer better pricing on calls in which the number is presented. When configured, the calling number information is included in the outgoing Setup message.

To configure the interface to identify the billing number, use the following command in interface configuration mode:

Command	Purpose
Router(config-if)# isdn calling-number <i>calling-number</i>	Specifies the calling party number.

This command can be used with all ISDN PRI switch types.

Overriding the Default TEI Value

You can configure ISDN terminal endpoint identifier (TEI) negotiation on individual ISDN interfaces. TEI negotiation is useful for switches that may deactivate Layers 1 or 2 when there are no active calls. Typically, this setting is used for ISDN service offerings in Europe and connections to DMS 100 switches that are designed to initiate TEI negotiation.

By default, TEI negotiation occurs when the router is powered up. The TEI negotiation value configured on an interface overrides the default or global TEI value. On PRI interfaces connecting to DMS 100 switches, the router will change the default TEI setting to **isdn tei first-call**. To apply TEI negotiation to a specific PRI interface, use the following command in interface configuration mode:

Command	Purpose
Router(config-if)# isdn tei [first-call powerup]	Determines when ISDN TEI negotiation occurs.

Configuring a Static TEI

Depending on the telephone company you subscribe to, you may have a dynamically or statically assigned terminal endpoint identifier (TEI) for your ISDN service. By default, TEIs are dynamic in Cisco routers. To configure the TEI as a static configuration, use the following command in interface configuration mode:

Command	Purpose
Router(config-if)# isdn static-tei <i>tei-number</i>	Configures a static ISDN Layer 2 TEI over the D channel.

Configuring Incoming ISDN Modem Calls

All incoming ISDN analog modem calls that come in on an ISDN PRI receive signaling information from the ISDN D channel. The D channel is used for circuit-switched data calls and analog modem calls.

To enable all incoming ISDN voice calls to access the call switch module and integrated modems, use the following command in interface configuration mode:

Command	Purpose
Router(config-if)# isdn incoming-voice { modem [56 64]}	Routes incoming ISDN modem calls to the call switch module.

The settings for the **isdn incoming-voice** interface command determine how a call is handled based on bearer capability information, as follows:

- **isdn incoming-voice voice**—Calls bypass the modem and are handled as a voice call.

- **isdn incoming-voice data**—Calls bypass the modem and are handled as digital data.
- **isdn incoming-voice modem**—Calls are passed to the modem and the call negotiates the appropriate connection with the far-end modem.

Refer to the *Cisco IOS Voice, Video, and Fax Configuration Guide* and *Cisco IOS Voice, Video, and Fax Command Reference*, Release 12.2, for more information about using the **isdn incoming-voice** interface configuration command to configure incoming ISDN voice and data calls.

Filtering Incoming ISDN Calls

You may find it necessary to configure your network to reject an incoming call with some specific ISDN bearer capability such as nonspeech or nonaudio data. To filter out unwanted call types, use the following command in interface configuration mode:

Command	Purpose
<pre>Router(config-if)# isdn reject {{cause cause-code} {data [56 64]} p1afs v110 v120 vod voice {[3.1khz 7khz speech]}}</pre>	Rejects an incoming ISDN BRI or PRI call based on type.



Note

When the ISDN interface is configured for incoming voice with the **isdn incoming-voice voice** command (see the previous section “[Configuring Incoming ISDN Modem Calls](#)”), and bearer capability indicates the call as unrestricted digital data (i = 0x8890), the call is handled as voice over data (use **vod** keyword).

Verifying the Call Reject Configuration

To verify that calls are being rejected, perform the following steps:

-
- Step 1** Enable the following **debug** commands at the privileged EXEC prompt:
- **debug isdn event**
 - **debug isdn event detail**
 - **debug isdn q931**
 - **debug isdn q931 l3trace**
- Step 2** Configure the appropriate **isdn reject** command. The following example configures the network to reject all incoming data calls on ISDN interfaces 4 through 23:
- ```
Router(config)# interface serial 4:23
Router(config-if)# isdn reject data
Router(config-if)# ^Z
```
- Step 3** Build the configuration and then monitor the **debug** command output for the following string, which indicates that the call was rejected:
- ```
ISDN <TYPE:NUMBER>: Rejecting call id <CALLID> isdn calltype screening failed
```
- Step 4** Enter the **show isdn status** EXEC command to display a detailed report of the ISDN configuration, including status of Layers 1 through 3, the call type, and the call identifier.

- Step 5** Turn off the debugging messages by entering the **no** form of the **debug** command—**no debug isdn event detail**, for example— or by entering the **undebug** form of the command—**undebug isdn q931**, for example.

Configuring the ISDN Guard Timer

Beginning in Cisco IOS Release 12.2, the ISDN guard timer feature implements a new managed timer for ISDN calls. Because response times for authentication requests can vary, for instance when using DNIS authentication, the guard timer allows you to control the handling of calls.

To configure the ISDN guard timer, use the following command in interface configuration mode:

Command	Purpose
Router(config-if)# isdn guard-timer msec	Enables the guard timer and sets the number of milliseconds for which the access server waits for RADIUS to respond before rejecting or accepting (optional) a call.

For more information about configuring RADIUS, and to see sample ISDN PRI guard timer configurations, refer to the *Cisco IOS Security Configuration Guide*.

Configuring Inclusion of the Sending Complete Information Element

In some geographic locations, such as Hong Kong and Taiwan, ISDN switches require that the Sending Complete information element be included in the outgoing Setup message to indicate that the entire number is included. This information element is generally not required in other locations.

To configure the interface to include the Sending Complete information element in the outgoing call Setup message, use the following command in interface configuration mode:

Command	Purpose
Router(config-if)# isdn sending-complete	Includes the Sending Complete information element in the outgoing call Setup message.

Configuring ISDN PRI B-Channel Busyout

To allow the busyout of individual ISDN PRI B channels, use the following commands beginning in global configuration mode:

	Command	Purpose
Step 1	Router(config)# interface serial <i>controller:timeslot</i>	Enters interface configuration mode for a D-channel serial interface.
Step 2	Router(config-if)# isdn snmp busyout b-channel	Allows the busyout of individual PRI B channels via SNMP.

Configuring NSF Call-by-Call Support

Network-Specific Facilities (NSF) are used to request a particular service from the network or to provide an indication of the service being provided. Call-by-call support means that a B channel can be used for any service; its use is not restricted to a certain preconfigured service, such as incoming 800 calls or an outgoing 800 calls. This specific NSF call-by-call service supports outgoing calls configured as voice calls.

This NSF call-by-call support feature is vendor-specific; only routers connected to AT&T Primary-4ESS switches need to configure this feature. This feature is supported on channelized T1.

To enable the router for NSF call-by-call support and, optionally, to place outgoing voice calls, complete the following steps:

- Step 1** Configure the controller for ISDN PRI.
- Step 2** Configure the D channel interface to place outgoing calls using the **dialer map** command with a **dialing-plan** keyword. You can enter a **dialer map** command for each dialing plan to be supported.
- Step 3** Define the dialer map class for that dialing plan.

To define the dialer map class for the dialing plan, use the following commands beginning in global configuration mode:

	Command	Purpose
Step 1	Router(config)# map-class dialer <i>classname</i>	Specifies the dialer map class, using the dialing-plan keyword as the class name, and begins map class configuration mode.
Step 2	Router(config-map-class)# dialer voice-call	(Optional) Enables voice calls.
Step 3	Router(config-map-class)# dialer outgoing <i>classname</i>	Configures the specific dialer map class to make outgoing calls.



Note To set the called party type to international, the dialed number must be prefaced by 011.

Table 3 lists the NSF dialing plans and supported services offered on AT&T Primary-4ESS switches.

Table 3 NSF Supported Services on AT&T Primary-4ESS Switches

NSF Dialing Plan	Data	Voice	International
Software Defined Network (SDN) ¹	Yes	Yes	Global SDN
MEGACOMM	No	Yes	Yes
ACCUNET	Yes	Yes	Yes

1. The dialing plan terminology in this table is defined and used by AT&T.

Configuring Multiple ISDN Switch Types

You can apply an ISDN switch type on a per-interface basis, thus extending the existing global **isdn switch-type** command to the interface level. This allows PRI and BRI to run simultaneously on platforms that support both interface types.

A global ISDN switch type is required and must be configured on the router before you can configure a switch type on an interface.

To configure multiple ISDN switch types for a PRI interface using a channelized E1 or channelized T1 controller, use the following command in global configuration mode:

Command	Purpose
Router(config)# isdn switch-type <i>switch-type</i>	Applies a global ISDN switch type.

You must ensure that the ISDN switch type is valid for the ISDN interfaces on the router. [Table 2](#) lists valid ISDN switch types for BRI and PRI interfaces.



Note

When you configure an ISDN switch type on the channelized E1 or T1 controller, this switch type is applied to all time slots on that controller. For example, if you configure channelized T1 controller 1:23, which corresponds to serial interface 1, with the ISDN switch type keyword **primary-net5**, then all time slots on serial interface 1 (and T1 controller 1) will use the Primary-Net5 switch type.

The following restrictions apply to the Multiple ISDN Switch Types feature:

- You must configure a global ISDN switch type using the existing **isdn switch-type** global configuration command before you can configure the ISDN switch type on an interface. Because global commands are processed before interface level commands, the command parser will not accept the **isdn switch-type** command on an interface unless a switch type is first added globally. Using the **isdn switch-type** global command allows for backward compatibility.
- If an ISDN switch type is configured globally, but not at the interface level, then the global switch type value is applied to all ISDN interfaces.
- If an ISDN switch type is configured globally and on an interface, the interface level switch type supersedes the global switch type at initial configuration. For example, if the global BRI switch-type keyword **basic-net3** is defined and the interface-level BRI switch-type keyword is **basic-ni**, the National ISDN switch type is the value applied to that BRI interface.
- The ISDN global switch type value is only propagated to the interface level on initial configuration or router reload. If you reconfigure the global ISDN switch type, the new value is not applied to subsequent interfaces. Therefore, if you require a new switch type for a specific interface, you must configure that interface with the desired ISDN switch type.
- If an ISDN global switch type is not compatible with the interface type you are using or you change the global switch type and it is not propagated to the interface level, as a safety mechanism, the router will apply a default value to the interface level, as indicated in [Table 4](#).

Table 4 ISDN PRI and ISDN BRI Global Switch Type Keywords

Global Switch Type	PRI Interface	BRI Interface
primary-4ess	primary-4ess	basic-ni
primary-5ess	primary-5ess	basic-ni
primary-dms100	primary-dms100	basic-ni
primary-net5	primary-net5	basic-net3
primary-ni	primary-ni	basic-ni
primary-ntt	primary-ntt	basic-ntt
primary-qsig	primary-qsig	basic-qsig
primary-ts014	primary-ts014	basic-ts013
basic-1tr6	primary-net5	basic-1tr6
basic-5ess	primary-ni	basic-5ess
basic-dms100	primary-ni	basic-dms100
basic-net3	primary-net5	basic-net3
basic-ni	primary-ni	basic-ni
basic-ntt	primary-ntt	basic-ntt
basic-qsig	primary-qsig	basic-qsig
basic-ts013	primary-ts014	basic-ts013
basic-vn3	primary-net5	basic-vn3

If, for example, you reconfigure the router to use global switch type keyword **basic-net3**, the router will apply the **primary-net5** ISDN switch type to PRI interfaces and the **basic-net3** ISDN switch type to any BRI interfaces. You can override the default switch assignment by configuring a different ISDN switch type on the associated interface.

Configuring B Channel Outgoing Call Order

You can configure the router to select the first available B channel in ascending order (channel B1) or descending order (channel B23 for a T1 and channel B30 for an E1). To configure the optional task of selecting B channel order for outgoing calls for PRI interface types, use the following command in interface configuration mode:

Command	Purpose
Router(config-if)# isdn bchan-number-order { ascending descending }	Enables B channel selection for outgoing calls on a PRI interface (optional).

Before configuring the ISDN PRI on your router, check with your service vendor to determine if the ISDN trunk call selection is configured for ascending or descending order. If there is a mismatch between the router and switch with regard to channel availability, the switch will send back an error message stating the channel is not available. By default, the router will select outgoing calls in descending order.

Performing Configuration Self-Tests

To test the ISDN configuration, use the following EXEC commands as needed. Refer to the *Cisco IOS Debug Command Reference* for information about the **debug** commands.

Command	Purpose
Router> show controllers t1 slot/port	Checks Layer 1 (physical layer) of the PRI over T1.
Router> show controllers e1 slot/port	Checks Layer 1 (physical layer) of the PRI over E1.
Router> show isdn status	Checks the status of PRI channels.
Router# debug q921	Checks Layer 2 (data link layer).
Router# debug isdn events or Router# debug q931 or Router# debug dialer or Router> show dialer	Checks Layer 3 (network layer).

Monitoring and Maintaining ISDN PRI Interfaces

To monitor and maintain ISDN interfaces, use the following EXEC commands as needed:

Command	Purpose
Cisco 7500 series routers Router> show interfaces serial slot/port bchannel channel-number OR Cisco 4000 series routers Router> show interfaces serial number bchannel channel-number	Displays information about the physical attributes of the ISDN PRI over T1 B and D channels.
Cisco 7500 series routers Router> show interfaces serial slot/port bchannel channel-number OR Cisco 4000 series routers Router> show interfaces serial number bchannel channel-number	Displays information about the physical attributes of the ISDN PRI over E1 B and D channels.
Cisco 7500 series routers Router> show controllers t1 [slot/port] OR Cisco 4000 series routers Router> show controllers t1 number	Displays information about the T1 links supported on the ISDN PRI B and D channels.

Command	Purpose
Cisco 7500 series routers Router> show controllers e1 [<i>slot/port</i>] OR Cisco 4000 series routers Router> show controllers e1 <i>number</i> Router> show isdn { active history memory services status [<i>dsl</i> <i>serial number</i>] timers }	Displays information about the E1 links supported on the ISDN PRI B and D channels. Displays information about current calls, history, memory, services, status of PRI channels, or Layer 2 or Layer 3 timers. (The service keyword is available for PRI only.)
Router> show dialer [<i>interface type number</i>]	Obtains general diagnostic information about the specified interface.

How to Configure Robbed-Bit Signaling for Analog Calls over T1 Lines

Some Cisco access servers support robbed-bit signaling for receiving and sending analog calls on T1 lines. Robbed-bit signaling emulates older analog trunk and line in-band signaling methods that are sent in many networks.

In countries that support T1 framing (such as the United States and Canada), many networks send supervisory and signaling information to each other by removing the 8th bit of each time slot of the 6th and 12th frame for superframe (SF) framing. For networks supporting extended superframe (ESF) framing, the 6th, 12th, 18th, and 24th frames are affected. This additional signaling information is added to support channel banks in the network that convert various battery and ground operations on analog lines into signaling bits.

Robbed-bit signaling configured on a Cisco access server enables integrated modems to answer and send analog calls. Robbed bits are forwarded over digital lines. To support analog signaling over T1 lines, robbed-bit signaling must be enabled.



Note

The signal type configured on the access server must match the signal type offered by your telco provider. Ask your telco provider which signal type to configure on each T1 controller.

The Cisco access server has two controllers: controller T1 1 and controller T1 0, which must be configured individually.

To configure robbed-bit signaling support for calls made and received, use the following commands beginning in global configuration mode:

	Command	Purpose
Step 1	Router(config)# controller t1 0	Enables the T1 0 controller and begins controller configuration mode.
Step 2	Router(config-controller)# cablelength long <i>dbgain-value dbloss-value</i>	If the channelized T1 line connects to a smart jack instead of a CSU, sets pulse equalization (use parameter values specified by your telco service provider).

	Command	Purpose
Step 3	Router(config-controller)# framing esf	Sets the framing to match that of your telco service provider, which in most cases is <i>esf</i> .
Step 4	Router(config-controller)# linecode b8zs	Sets the line-code type to match that of your telco service provider, which in most cases is <i>b8zs</i> .
Step 5	Router(config-controller)# clock source line primary	Configures one T1 line to serve as the primary or most stable clock source line.
Step 6	Router(config-controller)# cas-group channel-number timeslots range type signal	Configures channels to accept voice calls. This step creates interfaces that you can configure.
Step 7	Router(config-controller)# fdl {att ansi}	Sets the facilities data-link exchange standard for the CSU, as specified by your telco service provider.

If you want to configure robbed-bit signaling on the other T1 controller, repeat Steps 1 through 7, making sure in Step 5 to select T1 controller line 1 as the secondary clock source.

If you want to configure ISDN on the other controller, see the section “[How to Configure ISDN PRI](#)” in this chapter. If you want to configure channel groupings on the other controller, see the chapter “[Configuring Synchronous Serial Ports](#)” in this publication; specify the channel groupings when you specify the interface.

See the section “[Robbed-Bit Signaling Examples](#)” at the end of this chapter for configuration examples.

How to Configure CAS

The following sections describe how to configure channel-associated signaling in Cisco networking devices for both channelized E1 and T1 lines:

- [CAS on Channelized E1](#)
- [CAS on T1 Voice Channels](#)

CAS on Channelized E1

Cisco access servers and access routers support CAS for channelized E1 lines, which are commonly deployed in networks in Latin America, Asia, and Europe. CAS is configured to support channel banks in the network that convert various battery and ground operations on analog lines into signaling bits, which are forwarded over digital lines.

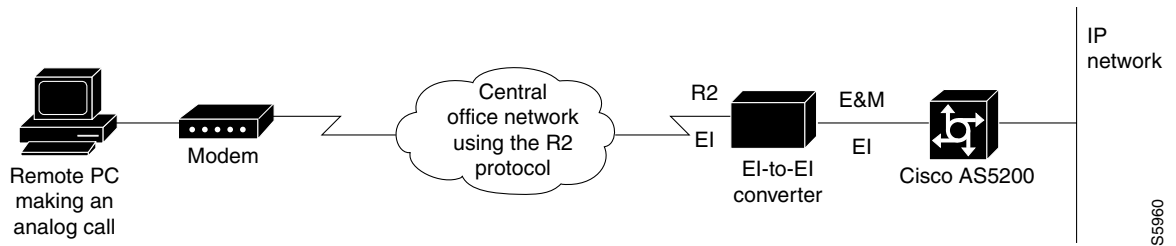
CAS is call signaling that is configured on an E1 controller and enables the access server to send or receive analog calls. The signaling uses the 16th channel (time slot); thus, CAS fits in the out-of-band signaling category.

Once CAS is configured on a single E1 controller, remote users can simultaneously dial in to the Cisco device through networks running the R2 protocol (see specifications for your particular network device for the number of dialins supported).

The R2 protocol is an international signaling standard for analog connections. Because R2 signaling is not supported in the Cisco access servers, an E1-to-E1 converter is required.

[Figure 1](#) illustrates that, because the Cisco access servers have more than one physical E1 port on the dual E1 PRI board, up to 60 simultaneous connections can be made through one dual E1 PRI board.

Figure 1 Remote PC Accessing Network Resources Through the Cisco AS5000 Series Access Server



Note For information on how to configure an Anadigicom E1-to-E1 converter, see to the documentation that came with the converter.



Note The dual E1 PRI card must be installed in the Cisco access server before you can configure CAS. To identify the hardware platform or software image information associated with a feature, use the Feature Navigator on Cisco.com to search for information.

Configuring CAS for Analog Calls over E1 Lines

To configure the E1 controllers in the Cisco access servers, use the following commands beginning in global configuration mode:

	Command	Purpose
Step 1	Router(config)# controller e1 <i>number</i>	Defines the controller location in the Cisco access server by unit number (choices for the <i>number</i> argument are 1 or 2) and begins controller configuration mode.
Step 2	Router(config-controller)# cas-group <i>channel-number timeslots range type signal</i>	Configures CAS and the R2 signaling protocol on a specified number of time slots.
Step 3	Router(config-controller)# framing crc4	Defines the framing characteristics as CRC4.
Step 4	Router(config-controller)# linecode hdb3	Defines the line code as HDB3.
Step 5	Router(config-controller)# clock source line primary ¹	Specifies one E1 line to serve as the primary or most stable clock source line.

1. Specify the other E1 line as the secondary clock source using the **clock source line secondary** command.

If you do not specify the time slots, CAS is configured on all 30 B channels and one D channel on the specified controller.

See the section [“ISDN CAS Examples”](#) for configuration examples.

Configuring CAS on a Cisco Router Connected to a PBX or PSTN

To define E1 channels for the CAS method by which the router connects to a PBX or PSTN, use the following commands beginning in global configuration mode:

	Command	Purpose
Step 1	<code>Router(config)# controller e1 slot/port</code>	Specifies the E1 controller that you want to configure with R2 signaling and begins controller configuration.
Step 2	<code>Router(config-controller)# ds0-group ds0-group-no timeslots timeslot-list type {e&m-immediate e&m-delay e&m-wink fxs-ground-start fxs-loop-start fxo-ground-start fxo-loop-start}</code>	Configures channel-associated signaling and the signaling protocol on a specified number of time slots.
Step 3	<code>Router(config-controller)# framing crc4</code>	Defines the framing characteristics as cyclic redundancy check 4 (CRC4).
Step 4	<code>Router(config-controller)# linecode hdb3</code>	Defines the line code as high-density bipolar 3 (HDB3).
Step 5	<code>Router(config-controller)# clock source line primary¹</code>	Specifies one E1 line to serve as the primary or most stable clock source line.

1. Specify the other E1 line as the secondary clock source using the `clock source line secondary` command.

If you do not specify the time slots, channel-associated signaling is configured on all 30 B channels and one D channel on the specified controller.

CAS on T1 Voice Channels

Various types of CAS signaling are available in the T1 world. The most common forms of CAS signaling are loop-start, ground-start, and recEive and transMit (E&M). The biggest disadvantage of CAS signaling is its use of user bandwidth to perform signaling functions. CAS signaling is often referred to as robbed-bit-signaling because user bandwidth is being “robbed” by the network for other purposes. In addition to receiving and placing calls, CAS signaling also processes the receipt of DNIS and ANI information, which is used to support authentication and other functions.

This configuration allows the Cisco access servers to provide the automatic number identification/dialed number identification service (ANI/DNIS) delimiter on incoming T1/CAS trunk lines. The digit collection logic in the call switching module (CSM) for incoming T1 CAS calls in dual tone multifrequency (DTMF) is modified to process the delimiters, the ANI digits, and the DNIS digits.

As part of the configuration, a CAS signaling class with the template to process ANI/DNIS delimiters has to be defined. This creates a signaling class structure which can be referred to by its name.

This feature is only functional in a T1 CAS configured for E&M-feature group b (wink start). E&M signaling is typically used for trunks. It is normally the only way that a central office (CO) switch can provide two-way dialing with direct inward dialing. In all the E&M protocols, off-hook is indicated by A=B=1, and on-hook is indicated by A=B=0. If dial pulse dialing is used, the A and B bits are pulsed to indicate the addressing digits.

For this feature, here is an example of configuring for E&M-feature group b:

```
ds0-group 1 timeslots 1-24 type e&m-fgb dtmf dnis
```

In the original Wink Start protocol, the terminating side responds to an off-hook from the originating side with a short wink (transition from on-hook to off-hook and back again). This wink tells the originating side that the terminating side is ready to receive addressing digits. After receiving addressing digits, the terminating side then goes off-hook for the duration of the call. The originating endpoint maintains off-hook for the duration of the call.

Configuring ANI/DNIS Delimiters for CAS Calls on CT1

To configure the signaling class and ANI/DNIS delimiters, use the following commands beginning in global configuration mode:

	Command	Purpose
Step 1	Router(config)# signaling-class cas <i>name</i>	Names the signaling class and begins interface configuration mode.
Step 2	Router(config-if)# profile incoming <i>template</i>	Defines the template to process the ANI/DNIS delimiter.
Step 3	Router(config-if)# exit	Return to global configuration mode.
Step 4	Router(config)# controller t1 <i>slot/port/number</i>	Enables this feature for a T1 controller and begins controller configuration mode.
Step 5	Router(config-controller)# cas-custom <i>channel</i>	Specifies a single channel group number.
Step 6	Router(config-ctrl-cas)# class <i>name</i>	Enables the ANI/DNIS delimiter feature by specifying the template.

To disable the delimiter, use the command **no class** under the cas-custom configuration.

To remove the signaling class, use the configuration command **no signaling-class cas**. When removing a signaling class, make sure the signaling class is no longer used by any controllers; otherwise, the following warning will be displayed:

```
% Can't delete, signaling class test is being used
```

How to Configure Switched 56K Digital Dial-In over Channelized T1 and Robbed-Bit Signaling

Internet service providers (ISPs) can provide switched 56-kbps access to their customers using a Cisco AS5000 series access server. Switched 56K digital dial-in enables many services for ISPs. When using traditional ISDN PRI, the access server uses the bearer capability to determine the type of service. However when providing switched 56K over a CT1 RBS connection, the digital signal level 0 (DS0s) in the access server can be configured to provide either modem or 56-kbps data service. The dial-in user can access a 56-kbps data connection using either an ISDN BRI connection or a 2- or 4-wire switched 56-kbps connection. The telco to which the access server connects must configure its switches to route 56-kbps data calls and voice (modem) calls to the appropriate DS0.

Likewise, an enterprise can provide switched 56-kbps digital dial-in services to its full time telecommuters or small remote offices using ISDN PRI or a CT1 RBS connection.

Switched 56K digital dial-in offers the following benefits:

- Enables ISDN BRI clients to connect to a Cisco access server over switched 56K and T1 CAS.
- Provides switched 56K dial-in services over T1 CAS to remote clients that do not have access to ISDN BRI, for example, a remote PC making digital calls over a 2- or 4-wire switched 56-kbps connection and a CSU.

The following prerequisites apply to the Switched 56K Digital Dial-In feature:

- The remote device could be an ISDN BRI end point such as a terminal adapter or BRI router. In this scenario, the CSU/DSU is irrelevant. For 2- or 4-wire switched 56K remote clients, the remote endpoint must be compatible with the service of the carrier. Different carriers may implement different versions of switched 56K end points.
- A CSU/DSU must be present at the remote client side of the connection. Otherwise, switched 56K connections are not possible. The Cisco access servers have built-in CSU/DSUs.
- The telco must configure its side of the T1 connection to deliver 56-kbps data calls to the correct range of DS0s. If you do not want to dedicate all the DS0s or time slots on a single T1 to switched 56K services, be sure to negotiate with the telco about which DS0s will support switched 56K and which DS0s will not.
- Cisco IOS Release 11.3(2)T or later must be running on the access server.

The following restrictions apply to Switched 56K digital dial-in:

- A Cisco access server only supports incoming switched 56K calls. Dialing out with switched 56K is not supported at this time.
- Switched 56K over E1 is not supported. Only switched 56K over T1 is supported.
- Analog modem calls are not supported over DS0s that are provisioned for switched 56K. For a configuration example, see the section [“Switched 56K and Analog Modem Calls over Separate T1 CAS Lines Example”](#) later in this chapter.
- Certain types of T1 lines, such as loop start and ground start, might not support this service. Contact your telco vendor to determine if this feature is available.

Switched 56K Scenarios

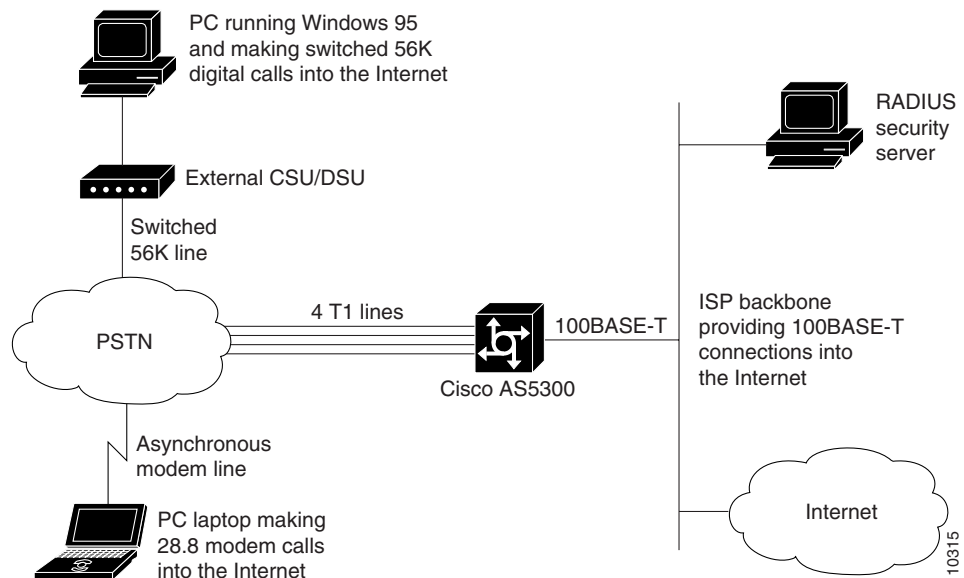
The following scenarios are provided to show multiple applications for supporting switched 56K over T1 CAS:

- [Switched 56K and Analog Modem Calls into T1 CAS](#)
- [Basic Call Processing Components](#)
- [ISDN BRI Calls into T1 CAS](#)

Switched 56K and Analog Modem Calls into T1 CAS

[Figure 2](#) shows a sample network scenario using switched 56K. Two remote PCs are dialing in to the same Cisco access server to get access to the Internet. The desktop PC is making switched 56K digital calls through an external CSU/DSU. The laptop PC is making analog modem calls through a 28.8-kbps modem. The Cisco access server dynamically assigns IP addresses to each node and forwards data packets off to the switched 56K channels and onboard modems respectively.

Figure 2 *PCs Making Switched 56K and Analog Modem Calls into a Cisco AS5000 Series Access Server*



For the startup running configuration on the Cisco access server shown in [Figure 2](#), see the section “[Comprehensive Switched 56K Startup Configuration Example](#)” later in this chapter.

Basic Call Processing Components

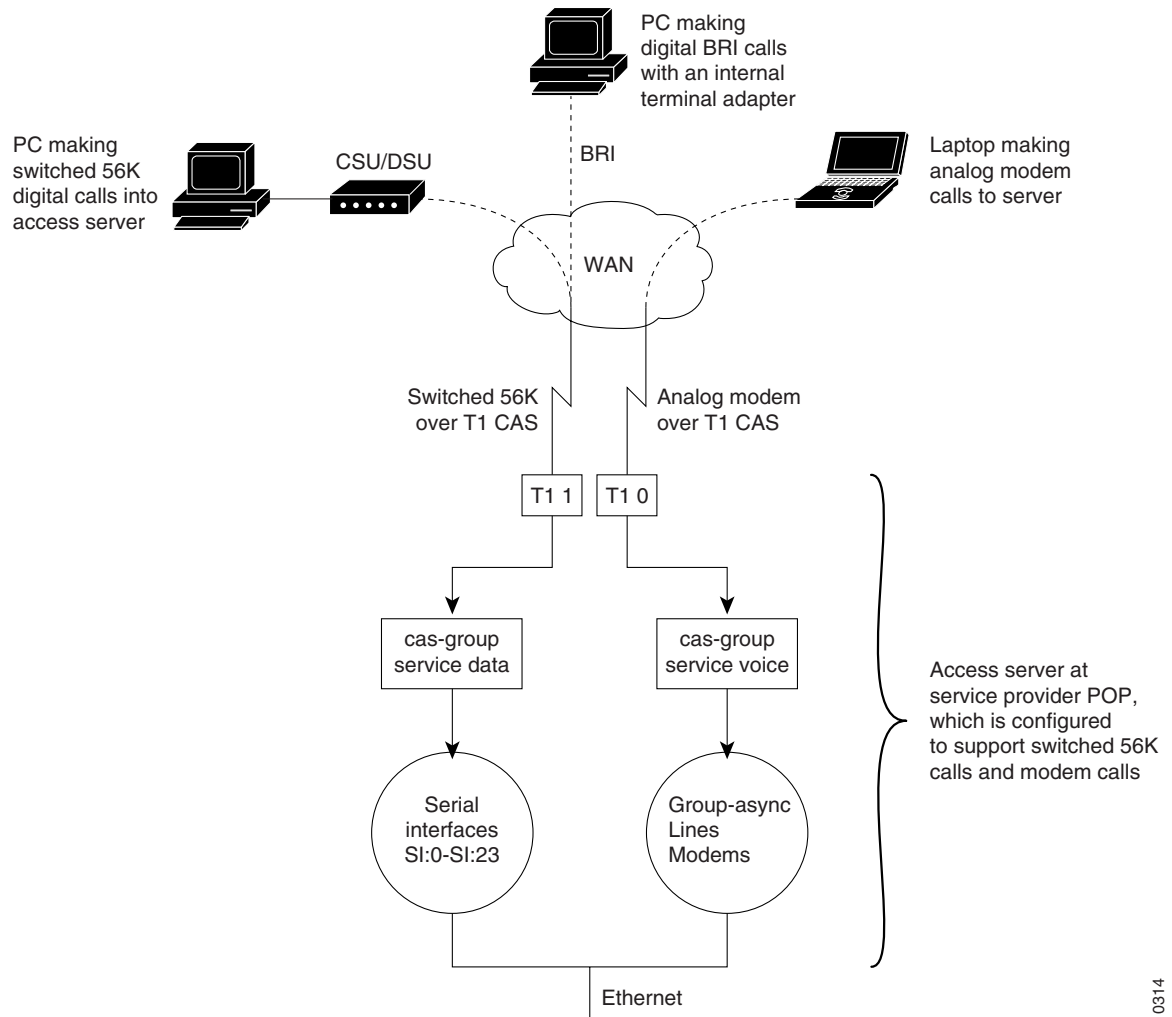
[Figure 3](#) shows the basic components that process switched 56K calls and analog modem calls on board a Cisco access server. Switched 56K and modem calls are signaling using robbed-bit signaling. Digital switched 56K calls utilize logical serial interfaces just like in ISDN PRI. Modem calls utilize asynchronous interfaces, lines, and modems.



Note

The BRI terminal must originate its calls with a bearer capability of 56 kbps.

Figure 3 Processing Components for Switched 56K Calls Versus Analog Modem Calls



10314

**Note**

The Cisco IOS software does enable you to configure one T1 controller to support both switched 56K digital calls and analog modem calls. In this scenario, [Figure 3](#) would show all calls coming into the access server through one T1 line and controller. However, you must negotiate with the telco which DS0s will support switched 56K services and which DS0s will not. On the access server, analog modem calls are not supported over DS0s that are provisioned for switched 56K. For an example software configuration, see the section “[Mixture of Switched 56K and Modem Calls over CT1 CAS Example](#)” at the end of this chapter.

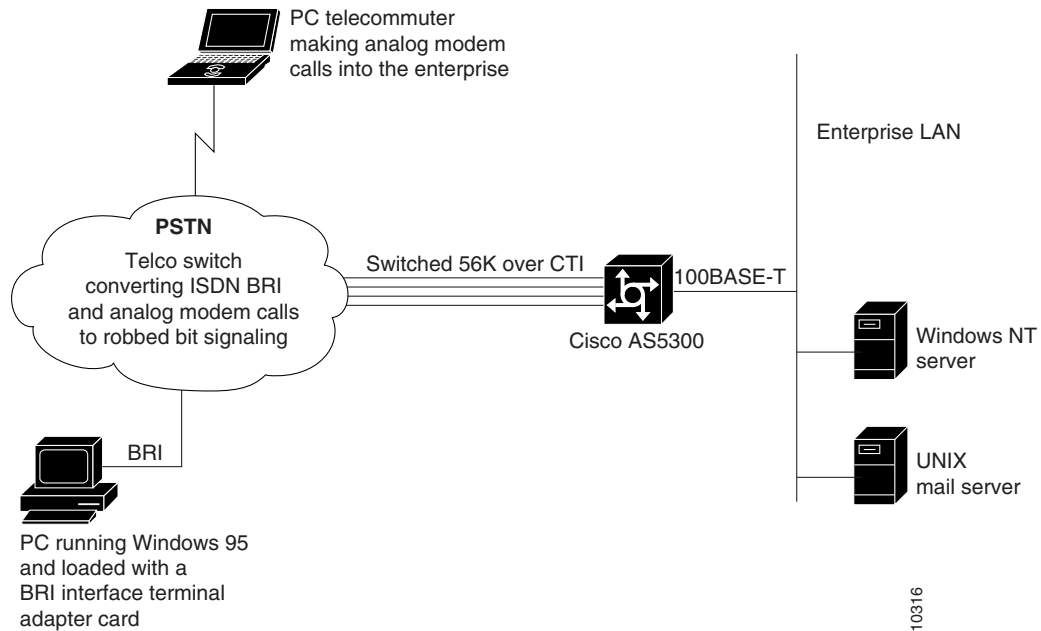
ISDN BRI Calls into T1 CAS

[Figure 4](#) shows how switched 56K functionality can be used to forward ISDN BRI network traffic to a Cisco access server that is configured for switched 56K robbed-bit signaling over CT1.

**Note**

The BRI terminal must originate its calls with a bearer capability of 56 kbps.

Figure 4 Remote PC Making BRI Digital Calls via Switched 56K to a Cisco AS5000 Series Access Server



For a configuration example on the Cisco access server, see the section “[Comprehensive Switched 56K Startup Configuration Example](#)” at the end of this chapter.

How to Configure Switched 56K Services

This section describes how to configure switched 56K services on a Cisco access server. After the **cas-group** command is enabled for switched 56K services, a logical serial interface is automatically created for each 56K channel, which must also be configured.

To configure an access server to support switched 56K digital calls, use the following commands beginning in global configuration mode:

	Command	Purpose
Step 1	Router(config)# controllers t1 <i>number</i>	Specifies a T1 controller and begins controller configuration mode.
Step 2	Router(config-controller)# framing {sf esf}	Sets the framing.
Step 3	Router(config-controller)# linecode {ami b8zs}	Defines the line code.
Step 4	Router(config-controller)# clock source {line {primary secondary} internal}	Specifies the clocking.
Step 5	Router(config-controller)# cas-group <i>channel timeslots range type signal</i>	Configures robbed-bit signaling for a range of time slots. A logical serial interface is automatically created for each switched 56K channel.

	Command	Purpose
Step 6	Router(config-controller)# exit	Exits controller configuration mode.
Step 7	Router(config)# interface serial <i>number: number</i>	Specifies logical serial interface, which was dynamically created when the cas-group command was issued, and configures the core protocol characteristics for the serial interface.

For configuration examples, see the section “[Switched 56K Configuration Examples](#)” later in this chapter.

How to Configure E1 R2 Signaling

R2 signaling is an international signaling standard that is common to channelized E1 networks. However, there is no single signaling standard for R2. The International Telecommunication Union Telecommunication Standardization Sector (ITU-T) Q.400-Q.490 recommendation defines R2, but a number of countries and geographic regions implement R2 in entirely different ways. Cisco addresses this challenge by supporting many localized implementations of R2 signaling in its Cisco IOS software.

The following sections offer pertinent information about the E1 R2 signaling feature:

- [E1 R2 Signaling Overview](#)
- [Configuring E1 R2 Signaling](#)
- [Configuring E1 R2 Signaling for Voice](#)
- [Monitoring E1 R2 Signaling](#)
- [Verifying E1 R2 Signaling](#)
- [Troubleshooting E1 R2 Signaling](#)

E1 R2 Signaling Overview

R2 signaling is channelized E1 signaling used in Europe, Asia, and South America. It is equivalent to channelized T1 signaling in North America. There are two types of R2 signaling: line signaling and interregister signaling. R2 line signaling includes R2 digital, R2 analog, and R2 pulse. R2 interregister signaling includes R2 compelled, R2 noncompelled, and R2 semicompelled. These signaling types are configured using the **cas-group** command for Cisco access servers, and the **ds0-group** command for Cisco routers.

Many countries and regions have their own E1 R2 variant specifications, which supplement the ITU-T Q.400-Q.490 recommendation for R2 signaling. Unique E1 R2 signaling parameters for specific countries and regions are set by entering the **cas-custom channel** command followed by the **country name** command.

The Cisco E1 R2 signaling default is ITU, which supports the following countries: Denmark, Finland, Germany, Russia (ITU variant), Hong Kong (ITU variant), and South Africa (ITU variant). The expression “ITU variant” means that there are multiple R2 signaling types in the specified country, but Cisco supports the ITU variant.

Cisco also supports specific local variants of E1 R2 signaling in the following regions, countries, and corporations:

- Argentina
- Australia
- Bolivia¹
- Brazil
- Bulgaria¹
- China
- Colombia
- Costa Rica
- East Europe²
- Ecuador ITU
- Ecuador LME
- Greece
- Guatemala
- Hong Kong (uses the China variant)
- Indonesia
- Israel
- Korea
- Laos¹
- Malaysia
- Malta¹
- New Zealand
- Paraguay
- Peru
- Philippines
- Saudi Arabia
- Singapore
- South Africa (Panaftel variant)
- Telmex corporation (Mexico)
- Telnor corporation (Mexico)
- Thailand
- Uruguay
- Venezuela
- Vietnam

1. Cisco 3620 and 3640 series routers only.

2. Includes Croatia, Russia, and Slovak Republic.

**Note**

Only MICA technologies modems support R2 functionality. Microcom modems do not support R2.

The following are benefits of E1 R2 signaling:

- R2 custom localization—R2 signaling is supported for a wide range of countries and geographical regions. Cisco is continually supporting new countries.
- Broader deployment of dial access services—The flexibility of a high-density access server can be deployed in E1 networks.

Cisco's implementation of R2 signaling has DNIS support turned on by default. If you enable the **ani** option, the collection of DNIS information is still performed. Specifying the **ani** option does not disable DNIS collection. DNIS is the number being called. ANI is the number of the caller. For example, if you are configuring router A to call router B, then the DNIS number is assigned to router B, the ANI number is assigned to router A. ANI is similar to Caller ID.

[Figure 5](#) shows a sample network topology for using E1 R2 signaling with a Cisco AS5800. All four controllers on the access server are configured with R2 digital signaling. Additionally, localized R2 country settings are enabled on the access server.

Figure 5 Service Provider Using E1 R2 Signaling and a Cisco AS5800

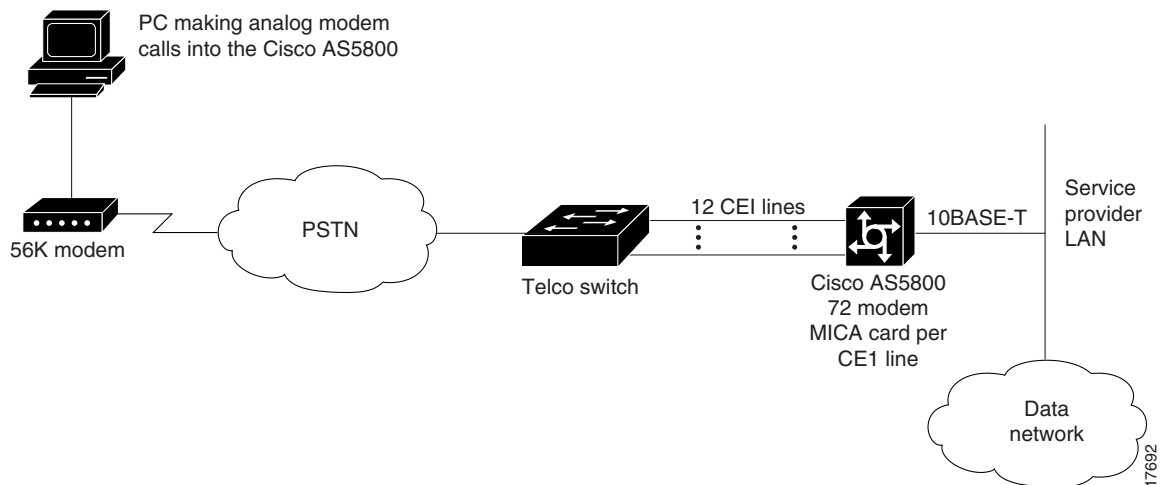
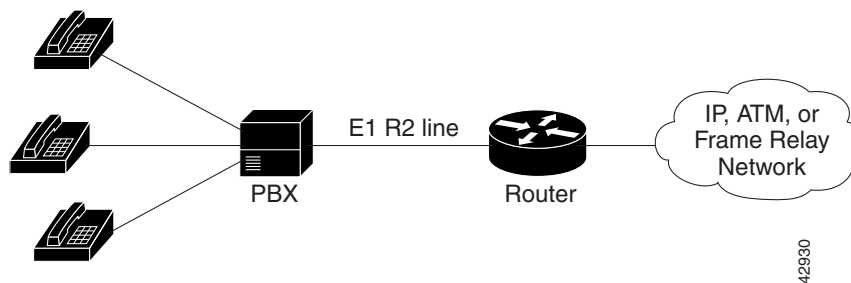


Figure 6 shows a sample network topology for using E1 R2 signaling for voice transfers with a Cisco 2600, 3600, or 7200 series router. All the controllers on the router are configured with R2 digital signaling. Additionally, localized R2 country settings are enabled on the router.

Figure 6 E1 R2 Connections for the Cisco 2600/3600/7200 Series Routers



Configuration examples are supplied in the “[Configuration Examples for Channelized E1 and Channelized T1](#)” section at the end of this chapter.

Configuring E1 R2 Signaling

To configure support for E1 R2 signaling on the Cisco access servers, use the following commands beginning in global configuration mode:

	Command	Purpose
Step 1	Router(config)# controller e1 <i>slot/port</i>	Specifies the E1 controller that you want to configure with R2 signaling and begins controller configuration mode.
Step 2	Router(config-controller)# cas-group <i>channel</i> timeslots <i>range type signal</i> Replace the <i>signal</i> argument with any of the following choices under R2 analog, R2 digital, or R2 pulse: r2-analog [dtmf r2-compelled [ani] r2-non-compelled [ani] r2-semi-compelled [ani]] or r2-digital [dtmf r2-compelled [ani] r2-non-compelled [ani] r2-semi-compelled [ani]] or r2-pulse [dtmf r2-compelled [ani] r2-non-compelled [ani] r2-semi-compelled [ani]]	Configures R2 channel associated signaling on the E1 controller. For a complete description of the available R2 options, see the cas-group command. The R2 part of this command is defined by the <i>signal</i> argument in the cas-group command.

For an E1 R2 configuration example, see the section “[E1 R2 Signaling Procedure](#).”

Configuring E1 R2 Signaling for Voice

To configure E1 R2 signaling on systems that will be configured for voice, use the following commands beginning in global configuration mode:

	Command	Purpose
Step 1	Router(config)# controller E1 <i>slot/port</i>	Specifies the E1 controller that you want to configure with R2 signaling and begins controller configuration mode.
Step 2	Router(config-controller)# ds0-group <i>channel</i> timeslots <i>range type signal</i> Replace the <i>signal</i> argument with any of the following choices under R2 analog, R2 digital, or R2 pulse: r2-analog [dtmf r2-compelled [ani] r2-non-compelled [ani] r2-semi-compelled [ani]] or r2-digital [dtmf r2-compelled [ani] r2-non-compelled [ani] r2-semi-compelled [ani]] or r2-pulse [dtmf r2-compelled [ani] r2-non-compelled [ani] r2-semi-compelled [ani]]	Configures R2 channel-associated signaling on the E1 controller. For a complete description of the available R2 options, see the ds0-group (controller e1) command reference page.

	Command	Purpose
Step 3	Router(config-controller)# cas-custom <i>channel</i>	<p>Enters cas-custom mode. In this mode, you can localize E1 R2 signaling parameters, such as specific R2 country settings for Hong Kong.</p> <p>For the customization to take effect, the <i>channel</i> number used in the cas-custom command must match the <i>channel</i> number specified by the ds0-group command.</p>
Step 4	Router(config-ctrl-cas)# country name use-defaults	<p>Specifies the local country, region, or corporation specification to use with R2 signaling. Replaces the <i>name</i> variable with one of the supported country names.</p> <p>Cisco strongly recommends that you include the use-defaults option, which engages the default settings for a specific country. The default setting for all countries is ITU.</p> <p>See the cas-custom command reference page for the list of supported countries, regions, and corporation specifications.</p>
Step 5	<ul style="list-style-type: none"> • Router(config-ctrl-cas)# ani-digits • Router(config-ctrl-cas)# answer-signal • Router(config-ctrl-cas)# caller-digits • Router(config-ctrl-cas)# category • Router(config-ctrl-cas)# default • Router(config-ctrl-cas)# dnis-digits • Router(config-ctrl-cas)# invert-abcd • Router(config-ctrl-cas)# ka • Router(config-ctrl-cas)# kd • Router(config-ctrl-cas)# metering • Router(config-ctrl-cas)# nc-congestion • Router(config-ctrl-cas)# unused-abcd • Router(config-ctrl-cas)# request-category 	<p>(Optional) Further customizes the R2 signaling parameters. Some switch types require you to fine tune your R2 settings. Do not tamper with these commands unless you fully understand your switch's requirements.</p> <p>For nearly all network scenarios, the country name use-defaults command fully configures your country's local settings. You should not need to perform Step 5.</p> <p>See the cas-custom command reference page for more information about each signaling command.</p>

Monitoring E1 R2 Signaling

To monitor E1 R2 signaling, use the following commands in EXEC mode as needed:

Command	Purpose
<pre>Router> show controllers e1 OR Router> show controllers e1 number</pre>	Displays the status for all controllers or a specific controller. Be sure the status indicates the controller is up and there are no alarms or errors (lines 2, 4, 9, and 10, as shown immediately below in the “Monitoring E1 R2 Using the show controllers e1 Command” section).
<pre>Router> show modem csm [slot/port group number]</pre>	Displays status for a specific modem, as shown below in the “Monitoring E1 R2 Signaling Using the show modem csm Command” section.

Monitoring E1 R2 Using the show controllers e1 Command

```
Router# show controllers e1 0
```

```
E1 0 is up.
  Applique type is Channelized E1 - balanced
  No alarms detected.
  Version info of Slot 0:  HW: 2, Firmware: 4, PLD Rev: 2

Manufacture Cookie is not programmed.

Framing is CRC4, Line Code is HDB3, Clock Source is Line Primary.
Data in current interval (785 seconds elapsed):
  0 Line Code Violations, 0 Path Code Violations
  0 Slip Secs, 0 Fr Loss Secs, 0 Line Err Secs, 0 Degraded Mins
  0 Errored Secs, 0 Bursty Err Secs, 0 Severely Err Secs, 0 Unavail Secs
Total Data (last 13 15 minute intervals):
  0 Line Code Violations, 0 Path Code Violations,
  0 Slip Secs, 12 Fr Loss Secs, 0 Line Err Secs, 0 Degraded Mins,
  0 Errored Secs, 0 Bursty Err Secs, 0 Severely Err Secs, 12 Unavail Secs
```

Monitoring E1 R2 Signaling Using the show modem csm Command

```
Router# show modem csm 1/0
```

```
MODEM_INFO: slot 1, port 0, unit 0, tone r2-compelled, modem_mask=0x0000,
modem_port_offset=0
tty_hwidb=0x60E63E4C, modem_tty=0x60C16F04, oobp_info=0x00000000, modem_pool=0x60BC60CC
modem_status(0x0002): VDEV_STATUS_ACTIVE_CALL.
csm_state(0x0205)=CSM_IC5_CONNECTED, csm_event_proc=0x600CFF70, current call thru CAS line
invalid_event_count=0, wdt_timeout_count=0
wdt_timestamp_started is not activated
wait_for_dialing:False, wait_for_bchan:False
pri_chnl=TDM_PRI_STREAM(s0, u3, c7), modem_chnl=TDM_MODEM_STREAM(s1, c0)
dchan_idb_start_index=0, dchan_idb_index=0, call_id=0x0239, bchan_num=6
csm_event=CSM_EVENT_DSX0_CONNECTED, cause=0x0000
ring_no_answer=0, ic_failure=0, ic_complete=3
dial_failure=0, oc_failure=0, oc_complete=0
oc_busy=0, oc_no_dial_tone=0, oc_dial_timeout=0
remote_link_disc=2, stat_busyout=2, stat_modem_reset=0
oobp_failure=0
call_duration_started=00:04:56, call_duration_ended=00:00:00, total_call_duration=00:01:43
The calling party phone number =
The called party phone number = 9993003
total_free_rbs_timeslot = 0, total_busy_rbs_timeslot = 0, total_dynamic_busy_rbs_timeslot
= 0, total_static_busy_rbs_timeslot = 0, min_free_modem_threshold = 0
```

Verifying E1 R2 Signaling

To verify the E1 R2 signaling configuration, enter the **show controller e1** command to view the status for all controllers, or enter the **show controller e1 slot/port** command to view the status for a particular controller. Make sure that the status indicates that the controller is up (line 2 in the following example) and that no alarms (line 6 in the following example) or errors (lines 9, 10, and 11 in the following example) have been reported.

```
Router# show controller E1 1/0

E1 1/0 is up.
  Applique type is Channelized E1
  Cablelength is short 133
  Description: E1 WIC card Alpha
  No alarms detected.
Framing is CRC4, Line Code is HDB3, Clock Source is Line Primary.
  Data in current interval (1 seconds elapsed):
    0 Line Code Violations, 0 Path Code Violations
    0 Slip Secs, 0 Fr Loss Secs, 0 Line Err Secs, 0 Degraded Mins
    0 Errored Secs, 0 Bursty Err Secs, 0 Severely Err Secs, 0 Unavail Secs
```

Troubleshooting E1 R2 Signaling

If a connection does not come up, check for the following:

- Loose wires, splices, connectors, shorts, bridge taps, and grounds
- Backward send and receive
- Mismatched framing types (for example, CRC-4 versus no CRC-4)
- Send and receive pair separation (crosstalk)
- Faulty line cards or repeaters
- Noisy lines (for example, power and crosstalk)

If you see errors on the line or the line is going up and down, check the following:

- Mismatched line codes (HDB3 versus AMI)
- Receive level
- Frame slips due to poor clocking plan

If problems persist, enable the modem management Call Switching Module (CSM) debug mode, using the **debug modem csm** command, as shown immediately below in the [“Debug E1 R1 Signaling Using the debug modem Command”](#) section.

Debug E1 R1 Signaling Using the debug modem Command

```
Router# debug modem csm 1/0

*May 15 04:05:46.675: VDEV_ALLOCATE: slot 2 and port 39 is allocated.

*May 15 04:05:46.675: CSM_RX_CAS_EVENT_FROM_NEAT:(04BF): EVENT_CALL_DIAL_IN at slot 2 and
port 39

*May 15 04:05:46.675: CSM_PROC_IDLE: CSM_EVENT_DSX0_CALL at slot 2, port 39

*May 15 04:05:46.675: Mica Modem(2/39): Configure(0x0)
*May 15 04:05:46.675: Mica Modem(2/39): Configure(0x3)
```

```
*May 15 04:05:46.675: Mica Modem(2/39): Configure(0x6)
*May 15 04:05:46.675: Mica Modem(2/39): Call Setup
*May 15 04:05:46.891: Mica Modem(2/39): State Transition to Call Setup
*May 15 04:05:46.891: Mica Modem(2/39): Went offhook
*May 15 04:05:46.891: CSM_PROC_IC1_RING: CSM_EVENT_MODEM_OFFHOOK at slot 2, port 39
```

When the E1 controller comes up, you will see the following messages:

```
%CONTROLLER-3-UPDOWN: Controller E1 0, changed state to up
It also shows these messages for individual timeslots:
%DSX0-5-RBSLINEUP: RBS of controller 1 timeslot 1 is up
%DSX0-5-RBSLINEUP: RBS of controller 1 timeslot 2 is up
%DSX0-5-RBSLINEUP: RBS of controller 1 timeslot 3 is up
%DSX0-5-RBSLINEUP: RBS of controller 1 timeslot 4 is up
%DSX0-5-RBSLINEUP: RBS of controller 1 timeslot 5 is up
%DSX0-5-RBSLINEUP: RBS of controller 1 timeslot 6 is up
%DSX0-5-RBSLINEUP: RBS of controller 1 timeslot 7 is up
%DSX0-5-RBSLINEUP: RBS of controller 1 timeslot 8 is up
```

Enabling R1 Modified Signaling in Taiwan

Enabling R1 modified signaling allows a Cisco universal access server to communicate with central office trunks that also use R1 modified signaling. R1 modified signaling is an international signaling standard that is common to channelized T1/E1 networks. Cisco IOS Release 12.1 supports R1 modified signaling customized for Taiwan only. You can configure a channelized T1/E1 interface to support different types of R1 modified signaling, which is used in older analog telephone networks.

This feature allows enterprises and service providers to fully interoperate with the installed Taiwanese telecommunications standards, providing interoperability in addition to the vast array of Cisco IOS troubleshooting and diagnostic capability. This feature will provide customers with a seamless, single-box solution for their Taiwan signaling requirements.



Note

This type of signaling is not the same as ITU R1 signaling; it is R1 signaling modified for Taiwan specifically. In the future, R1 modified signaling will be supported by the Cisco AS5800 access server, and will also be available in Turkey.

The following restrictions are for the use of R1 modified signaling:

- Because different line signaling uses different A/B/C/D bit definitions to represent the line state, you must understand the configuration of the T1/E1 trunk before configuring the CAS group. If the wrong type of provision is configured, the access server might interpret the wrong A/B/C/D bit definitions and behave erratically.
- Cisco access servers (Cisco AS5300, and Cisco AS5800) with Microcom modems cannot support this feature.
- You must know the configuration of the T1/E1 trunk before configuring the cas-group. If there is a trunk provisioning mismatch, performance problems may occur.

R1 Modified Signaling Topology

Figure 7 illustrates a service provider using R1 signaling with E1 and a Cisco AS5200 access server. The network topology would be the same for T1 or a Cisco AS5300 access server.

Figure 7 Service Provider Using E1 R1 Signaling with a Cisco AS5200 Access Server

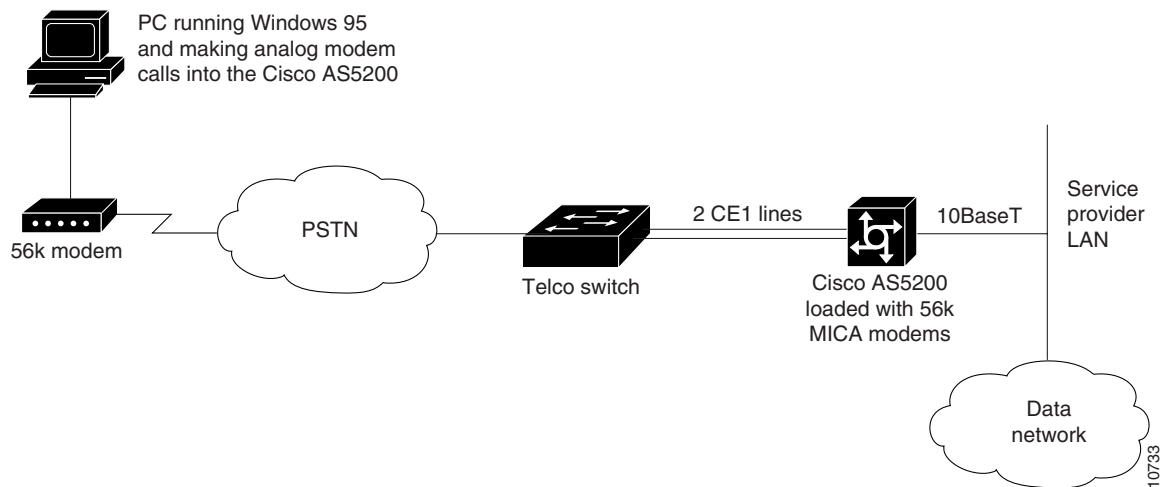
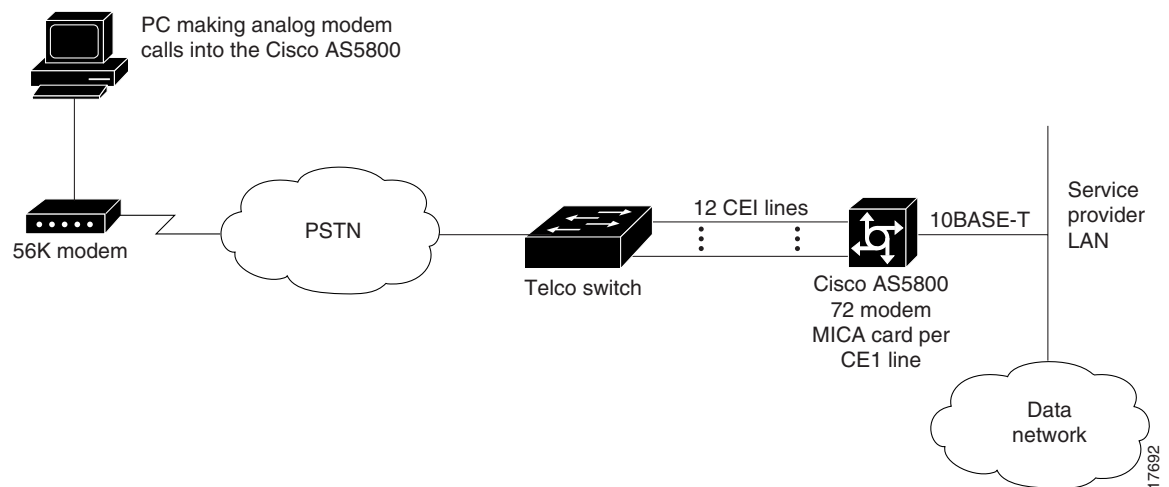


Figure 8 illustrates a service provider using R1 modified signaling with E1 and a Cisco AS5800 access server.

Figure 8 Service Provider Using E1 R1 Modified Signaling with a Cisco AS5800 Access Server



R1 Modified Signaling Configuration Task List

This section describes how to enable R1 modified signaling on your Cisco access server on both a T1 and E1 interface.

Before beginning the tasks in this section, check for the following hardware and software in your system:

- Cisco AS 5200, Cisco AS5300, or Cisco AS5800 access server (without a Microcom modem)
- Cisco IOS Release 12.1 or later software
- MICA feature module
- Portware Version 2.3.1.0 or later

For information on upgrading your Cisco IOS images, modem portware, or modem code, go to the following locations and then select your access server type (Cisco AS5200, Cisco AS5300, or Cisco AS5800) and port information:

- On Cisco.com:
http://www.cisco.com/univercd/cc/td/doc/product/access/acs_serv/
Or, follow this path:
Cisco Product Documentation/Access Servers and Access Routers/Access Servers
- On the Documentation CD-ROM:
Cisco Product Documentation/Access Servers and Access Routers/Access Servers

To configure R1 modified signaling, perform the tasks in the following sections, as required:

- [Configuring R1 Modified Signaling on a T1 Interface](#)
- [Configuring R1 Modified Signaling on an E1 Interface](#)


Note

The sample prompts and output are similar for the Cisco AS5200, Cisco AS5300 and Cisco AS5800 access servers.

Configuring R1 Modified Signaling on a T1 Interface

To configure R1 modified signaling on a T1 interface, use the following commands beginning global configuration mode:

	Command	Purpose
Step 1	<p>Cisco AS5800 access server</p> <pre>Router(config)# vty-async(config)# controller t1 shelf/slot/port Router(config)# vty-async(config-controller)#</pre> <p>or</p> <p>Cisco AS5200 and AS5300 access servers</p> <pre>Router(config)# vty-async(config)# controller t1 [0 1 2 3] Router(config)# vty-async(config-controller)#</pre>	<p>Specifies the T1 controller that you want to configure and begins controller configuration mode. Refer to the <i>Cisco AS5800 Universal Access Server Software Installation and Configuration Guide</i> for port details.</p> <p>The T1 controller ports are labeled 0 to 3 on the quad T1/PRI cards in the Cisco AS5200 and AS5300 access servers.</p>
Step 2	<pre>Router(config)# vty-async (config-controller)# framing {sf esf}</pre>	<p>Entering framing sf configures framing to T1 with sf.</p> <p>Entering framing esf configures framing to T1 only.</p>
Step 3	<pre>Router(config)# vty-async (config-controller)# linecode {ami b8zs}</pre>	<p>Entering linecode ami configures line code to AMI¹ encoding.</p> <p>Entering linecode b8zs configures line code to b8zs encoding.</p>
Step 4	<pre>Router(config)# vty-async (config-controller)# clock source {internal line [primary secondary]}</pre>	<p>Entering clock source internal configures the clock source to the internal clock.</p> <p>Entering clock source line primary configures the clock source to the primary recovered clock.</p> <p>Entering clock source secondary configures the clock source to the secondary recovered clock.</p>

	Command	Purpose
Step 5	<pre>Router(config)# vty-async(config-controller)# cas-group 1 timeslots 1-24 type {r1-modified {ani-dnis dnis} r1-itu {dnis}}</pre>	<p>Configures the time slots that belong to each E1 circuit for r1-modified or for r1-itu signaling.²</p> <ul style="list-style-type: none"> The cas-group # ranges from 0 to 23 for CT1. The timeslot # ranges from 1 to 24 for CT1. For the type, each CAS group can be configured as one of the Robbed Bit Signaling provisions. ani-dnis indicates R1 will collect ani and dnis information; dnis indicates R1 will collect only dnis information.
Step 6	<pre>Router(config)# vty-async(config-if)# ^Z Router(config)# vty-async# %SYS-5-CONFIG_I: Configured from console by console</pre>	<p>Returns to enable mode by simultaneously pressing the Ctrl key and the z key. (This message returned is expected and does not indicate an error.)</p>

1. AMI = alternate mark inversion.

2. For a more detailed description of the syntax and arguments of this command, refer to the *Cisco IOS Dial Technologies Command Reference*.

Configuring R1 Modified Signaling on an E1 Interface

To configure R1 modified signaling on an E1 interface, use the following commands beginning in global configuration mode:

	Command	Purpose
Step 1	<p>Cisco AS5800 access server</p> <pre>Router(config)# controller e1 shelf/slot/port</pre> <p>or</p> <p>Cisco AS5200 and AS5300 access servers</p> <pre>Router(config)# controller e1 [0 1 2 3]</pre>	<p>Specifies the T1 controller that you want to configure and begins controller configuration mode.</p> <p>Refer to the <i>Cisco AS5800 Universal Access Server Software Installation and Configuration Guide</i> for port details.</p> <p>The T1 controller ports are labeled 0 to 3 on the quad T1/PRI cards in the Cisco AS5200 and AS5300 access servers.</p>
Step 2	<pre>Router (config-controller)# framing {crc4 no-crc4}</pre>	<p>Entering framing crc4 configures framing to E1 with CRC.¹</p> <p>Entering framing no-crc4 configures framing to E1 only.</p>
Step 3	<pre>Router (config-controller)# linecode {ami hdb3}</pre>	<p>Entering linecode ami configures line code to AMI² encoding.</p> <p>Entering linecode hdb3 configures line code to HDB³ encoding.</p>
Step 4	<pre>Router (config-controller)# clock source {internal line [primary secondary]}</pre>	<p>Entering clock source internal configures the clock source to the internal clock.</p> <p>Entering clock source line primary configures the clock source to the primary recovered clock.</p> <p>Entering clock source secondary configures the clock source to the secondary recovered clock.</p>

	Command	Purpose
Step 5	Router(config-controller)# cas-group 1 timeslots 1-15, 17-31 type r1-modified {ani-dnis dnis}	Configures the time slots that belong to each E1 circuit for R1 modified signaling. ⁴ <ul style="list-style-type: none"> The cas-group number ranges from 0 to 30 for CE1. The timeslot number ranges from 1 to 31 for CE1. For the type, each CAS group can be configured as one of the robbed bit signaling provisions. ani-dnis indicates R1 will collect ANI and DNIS information; dnis indicates R1 will collect only DNIS information.
Step 6	Router(config-controller-cas)# cas-custom 1	(Optional) Enters the channel number to customize.
Step 7	Router(config-controller-cas)# ^Z Router# %SYS-5-CONFIG_I: Configured from console by console	Returns to enable mode by simultaneously pressing the Ctrl key and the Z key. This message is normal and does not indicate an error.

1. CRC = cyclic redundancy check.
2. AMI = alternate mark inversion.
3. HDB = high-density bipolar 3.
4. For a more detailed description of the syntax and arguments of this command, refer to the *Cisco IOS Dial Technologies Command Reference*.

Troubleshooting Channelized E1 and T1 Channel Groups

Each channelized T1 or channelized E1 channel group is treated as a separate serial interface. To troubleshoot channel groups, first verify configurations and check everything that is normally checked for serial interfaces. You can verify that the time slots and speed are correct for the channel group by checking for CRC errors and aborts on the incoming line.



Note

None of the Cisco channelized interfaces will react to any loop codes. To loop a channelized interface requires that the configuration command be entered manually.

Two loopbacks are available for channel groups and are described in the following sections:

- [Interface Local Loopback](#)
- [Interface Remote Loopback](#)

Interface Local Loopback

Interface local loopback is a bidirectional loopback, which will loopback toward the router and toward the line. The entire set of time slots for the channel group is looped back. The service provider can use a BERT test set to test the link from the central office to your local router, or the remote router can test using pings to its local interface (which will go from the remote site, looped back at your local site, and return to the interface on the remote site).

To place the serial interface (channel group) into local loopback, use the following command in interface configuration mode:

Command	Purpose
Router(config-if)# loopback local	Places the serial interface (channel group) in local loopback.

Interface Remote Loopback

Remote loopback is the ability to put the remote DDS CSU/DSU in loopback. It will work only with channel groups that have a single DS0 (1 time slot), and with equipment that works with a latched CSU loopback as specified in AT&T specification TR-TSY-000476, "OTGR Network Maintenance Access and Testing." To place the serial interface (channel group) in remote loopback, use the following command in interface configuration mode:

Command	Purpose
Router(config-if)# loopback remote interface	Places the serial interface (channel group) in remote loopback.

Using the **loopback remote** interface command sends a latched CSU loopback command to the remote CSU/DSU. The router must detect the response code, at which time the remote loopback is verified.

Configuration Examples for Channelized E1 and Channelized T1

- [ISDN PRI Examples](#)
- [PRI Groups and Channel Groups on the Same Channelized T1 Controller Example](#)
- [Robbed-Bit Signaling Examples](#)
- [Switched 56K Configuration Examples](#)
- [ISDN CAS Examples](#)
- [E1 R2 Signaling Procedure](#)
- [R1 Modified Signaling Using an E1 Interface Example](#)
- [R1 Modified Signaling for Taiwan Configuration Example](#)

ISDN PRI Examples

This section contains the following ISDN PRI examples:

- [Global ISDN, BRI, and PRI Switch Example](#)
- [Global ISDN and Multiple BRI and PRI Switch Using TEI Negotiation Example](#)
- [NSF Call-by-Call Support Example](#)
- [PRI on a Cisco AS5000 Series Access Server Example](#)
- [ISDN B-Channel Busyout Example](#)
- [Multiple ISDN Switch Types Example](#)
- [Outgoing B-Channel Ascending Call Order Example](#)
- [Static TEI Configuration Example](#)

- [Call Reject Configuration Examples](#)
- [ISDN Cause Code Override and Guard Timer Example](#)

Global ISDN, BRI, and PRI Switch Example

The following example shows BRI interface 0 configured for a NET3 ISDN switch type (**basic-net3** keyword) that will override the National ISDN switch type configured globally. The PRI interface (channelized T1 controller) is configured for ISDN switch type Primary-Net5 and is applied only to the PRI.

```
isdn switch-type basic-ni
!
interface BRI0
 isdn switch-type basic-net3
interface serial0:23
! Apply the primary-net5 switch to this interface only.
 isdn switch-type primary-net5
```

Global ISDN and Multiple BRI and PRI Switch Using TEI Negotiation Example

In the following example, the global ISDN switch type setting is NET3 ISDN (**basic-net3** keyword) and the PRI interface (channelized T1 controller) is configured to use **isdn switch-type primary-net5**. BRI interface 0 is configured for **isdn switch-type basic-ni** and **isdn tei first-call**. TEI first-call negotiation configured on BRI interface 0 overrides the default value (**isdn tei powerup**).

```
isdn switch-type basic-net
!
interface serial0:23
 isdn switch-type primary-net5
 ip address 172.21.24.85 255.255.255.0
!
interface BRI0
 isdn switch-type basic-ni
 isdn tei first-call
```

NSF Call-by-Call Support Example

The following example configures NSF, which is needed for an AT&T 4ESS switch when it is configured for call-by-call support. In call-by-call support, the PRI 4ESS switch expects some AT&T-specific information when placing outgoing ISDN PRI voice calls. The options are **accunet**, **sdn**, and **megacom**.

This example shows both the controller and interface commands required to make the ISDN interface operational and the DDR commands, such as the **dialer map**, **dialer-group**, and **map-class dialer** commands, that are needed to configure the ISDN interface to make outgoing calls.

```
! The following lines configure the channelized T1 controller; all time slots are
! configured for ISDN PRI.
!
controller t1 1/1
 framing esf
 linecode b8zs
 pri-group timeslots 1-23
 isdn switchtype primary-4ess
!
! The following lines configure the D channel for DDR. This configuration applies
! to all B channels on the ISDN PRI interface.
interface serial 1/1:23
 description Will mark outgoing calls from AT&T type calls.
```

```

ip address 10.1.1.1 255.255.255.0
encapsulation ppp
dialer map ip 10.1.1.2 name tommyjohn class sdnplan 14193460913
dialer map ip 10.1.1.3 name angus class megaplan 14182616900
dialer map ip 10.1.1.4 name angus class accuplan 14193453730

dialer-group 1
  ppp authentication chap

map-class dialer sdnplan
  dialer outgoing sdn

map-class dialer megaplan
  dialer voice-call
  dialer outgoing mega

map-class dialer accuplan
  dialer outgoing accu

```

PRI on a Cisco AS5000 Series Access Server Example

The following example configures ISDN PRI on the appropriate interfaces for IP dial-in on channelized T1:

```

! T1 PRI controller configuration

controller T1 0
  framing esf
  linecode b8zs
  clock source line primary
  pri-group timeslots 1-24
!
controller T1 1
  framing esf
  linecode b8zs
  clock source line secondary
  pri-group timeslots 1-24
!
interface Serial0:23
  isdn incoming-voice modem
  dialer rotary-group 1
!
interface Serial1:23
  isdn incoming-voice modem
  dialer rotary-group 1
!
interface Loopback0
  ip address 172.16.254.254 255.255.255.0
!
interface Ethernet0
  ip address 172.16.1.1 255.255.255.0
!
interface Group-Async1
  ip unnumbered Loopback0
  ip tcp header-compression passive
  encapsulation ppp
  async mode interactive
  peer default ip address pool default
  dialer-group 1
  ppp authentication chap pap default
  group-range 1 48
!

```

```

interface Dialer1
  ip unnumbered Loopback0
  encapsulation ppp
  peer default ip address pool default
  ip local pool default 172.16.254.1 172.16.254.48
  dialer in-band
  dialer-group 1
  dialer idle-timeout 3600
  ppp multilink
  ppp authentication chap pap default

```

The following example configures ISDN PRI on the appropriate interfaces for IP dial-in on channelized E1:

```

! E1 PRI controller configuration

controller E1 0
  framing crc4
  linecode hdb3
  clock source line primary
  pri-group timeslots 1-31
!
controller E1 1
  framing crc4
  linecode hdb3
  clock source line secondary
  pri-group timeslots 1-31

interface serial0:15
  isdn incoming-voice modem
  dialer rotary-group 1
!
interface serial1:15
  isdn incoming-voice modem
  dialer rotary-group 1
!
interface loopback0
  ip address 172.16.254.254 255.255.255.0
!
interface ethernet0
  ip address 172.16.1.1 255.255.255.0
!
! The following block of commands configures DDR for all the ISDN PRI interfaces
! configured above. The dialer-group and dialer rotary-group commands tie the
! interface configuration blocks to the DDR configuration.
!
interface dialer1
  ip unnumbered loopback0
  encapsulation ppp
  peer default ip address pool default
  ip local pool default 172.16.254.1 172.16.254.60
  dialer in-band
  dialer-group 1
  dialer idle-timeout 3600
  ppp multilink
  ppp authentication chap pap default

```

ISDN B-Channel Busyout Example

```

interface Serial0:23
  ip address 172.16.0.0 192.168.0.0
  no ip directed-broadcast

```

```

encapsulation ppp
no keepalive
dialer idle-timeout 400
dialer load-threshold 1 either
dialer-group 1
isdn switch-type primary-5ess
isdn incoming-voice modem
isdn snmp busyout b-channel
no fair-queue
no cdp enable

```

Multiple ISDN Switch Types Example

The following example configures ISDN switch type keyword **primary-4ess** on channelized T1 controller 0 and a switch type keyword **primary-net5** for channelized T1 controller 1.

```

controller t1 0
 framing esf
 linecode b8zs
 isdn switchtype primary-4ess
!
controller t1 1
 framing esf
 linecode b8zs
 isdn switchtype primary-net5

```

The following example shows BRI interface 0 configured for switch type keyword **basic-net3** (NET3 ISDN) that will override the global switch type keyword **basic-ni** (National ISDN). The PRI interface (channelized T1 controller), is configured for ISDN switch type keyword **primary-net5** and is applied only to the PRI interface.

```

isdn switch-type basic-ni
!
interface BRI0
 isdn switch-type basic-net3
interface serial0:23
! Apply the primary-net5 switch to this interface only.
 isdn switch-type primary-net5

```

Outgoing B-Channel Ascending Call Order Example

The following example configures the router to use global ISDN switch-type keyword **primary-ni** and configures the ISDN outgoing call channel selection to be made in ascending order:

```

isdn switch-type primary-ni
!
interface serial0:23
 isdn bchan-number-order ascending

```

Static TEI Configuration Example

The following example shows a static TEI configuration:

```

interface bri 0
 isdn static-tei 1

```


Call Reject Configuration Examples

The following example configures the network to accept incoming ISDN voice calls and reject data calls:

```
interface Serial4:23
  description Connected to V-Sys R2D2
  no ip address
  isdn switch-type primary-5ess
  isdn incoming-voice modem
  isdn reject data
  no cdp enable
end
```

The following example sets cause code 21 to reject all incoming data calls:

```
interface serial 2/0:23
  isdn reject data
  isdn reject cause 21
```

ISDN Cause Code Override and Guard Timer Example

The following example shows how to configure cause code override and the ISDN guard timer:

```
interface Serial0:23
  no ip address
  no ip directed-broadcast
  encapsulation ppp
  dialer rotary-group 0
  isdn switch-type primary-5ess
  isdn incoming-voice modem
  isdn disconnect-cause 17
  isdn guard-timer 3000 on-expiry accept
  isdn calling-number 8005551234
  no fair-queue
  no cdp enable
```

PRI Groups and Channel Groups on the Same Channelized T1 Controller Example

The following example shows a channelized T1 controller configured for PRI groups and for channel groups. The **pri-group** command and the **channel-group** command cannot have overlapping time slots; note the correct time slot configuration in this example.

```
controller t1 0
  channel-group 0 timeslot 1-6
  channel-group 1 timeslot 7
  channel-group 2 timeslot 8
  channel-group 3 timeslot 9-11
  pri-group timeslot 12-24
```

The same type of configuration also applies to channelized E1.

Robbed-Bit Signaling Examples

This section provides sample configurations for the T1 controllers on the Cisco access server. You can configure the 24 channels of a channelized T1 to support ISDN PRI, robbed-bit signaling, channel grouping, or a combination of all three. The following samples are provided:

- [Allocating All Channels for Robbed-Bit Signaling Example](#)
- [Mixing and Matching Channels—Robbed-Bit Signaling and Channel Grouping](#)

Allocating All Channels for Robbed-Bit Signaling Example

The following example configures all 24 channels to support robbed-bit signaling feature group B on a Cisco access server:

```
controller T1 0
cas-group 1 timeslots 1-24 type e&m-fgb
```

Mixing and Matching Channels—Robbed-Bit Signaling and Channel Grouping

The following example shows you how to configure all 24 channels to support a combination of ISDN PRI, robbed-bit signaling, and channel grouping. The range of time slots that you allocate must match the time slot allocations that your central office chooses to use. This is a rare configuration due to the complexity of aligning the correct range of time slots on both ends of the connection.

The following configuration creates serial interfaces 0 to 9, which correspond to ISDN PRI time slots 1 to 10 (shown as serial 1:0 through serial 1:9). The serial line 1:23 is the D channel, which carries the analog signal bits that dial the phone number of the modem and determine if a modem is busy or available. The D channel is automatically created and assigned to time slot 24.

```
controller T1 0
! ISDN PRI is configured on time slots 1 through 10.
pri-group timeslots 1-10
! Channelized T1 data is transmitted over time slots 11 through 16.
channel-group 11 timeslots 11-16
! The channel-associated signal ear and mouth feature group B is configured on
! virtual signal group 17 for time slots 17 to 23, which are used for incoming
! and outgoing analog calls.
cas-group 17 timeslots 17-23 type e&m-fgb
```

There is no specific interface, such as the serial interface shown in the earlier examples, that corresponds to the time-slot range.

Switched 56K Configuration Examples

The following switched 56K configuration examples are provided:

- [Switched 56K T1 Controller Procedure](#)
- [Mixture of Switched 56K and Modem Calls over CT1 CAS Example](#)
- [Switched 56K and Analog Modem Calls over Separate T1 CAS Lines Example](#)
- [Comprehensive Switched 56K Startup Configuration Example](#)

Switched 56K T1 Controller Procedure

The following procedure shows how to configure one T1 controller on a Cisco access server to support switched 56K digital calls. The Cisco access server has four controllers, which are numbered 0 to 3. If you want all four T1 controllers to support switched 56K calls, then repeat this procedure on each controller.

Step 1 Enter global configuration mode using the **configure terminal** command:

```
Router# configure terminal
Enter configuration commands, one per line. End with CNTL/Z.
```

Step 2 Specify a T1 controller with the **controller t1 number** command. Replace the *number* variable with a controller number from 0 to 3.

```
Router(config)# controller t1 1
```

Step 3 Configure robbed-bit signaling on a range of time slots, then specify switched 56K digital services using the **cas-group** command. In this example, all calls coming into controller T1 1 are expected to be switched 56K data calls, not analog modem calls.

```
Router(config-controller)# cas-group 1 timeslots 1-24 type e&m-fgb service data
```



Note Be sure your signaling type matches the signaling type specified by the central office or telco on the other end. For a list of supported signaling types and how to collect DNIS, refer to the **cas-group** command description for the E1 controller card in the [Cisco IOS Dial Technologies Command Reference](#).

Step 4 Set the framing for your network environment. You can choose ESF (enter **framing esf**) or SF (enter **framing sf**).

```
Router(config-controller)# framing esf
```

Step 5 Set the line-code type for your network environment. You can choose AMI encoding (enter **linecode ami**) or B8ZS encoding (enter **linecode b8zs**).

```
Router(config-controller)# linecode b8zs
```

Mixture of Switched 56K and Modem Calls over CT1 CAS Example

The following example configures one T1 controller to accept incoming switched 56K digital calls and analog modem calls over the same T1 CAS line. Time slots 1 through 10 are provisioned by the telco to support switched 56K digital calls. Time slots 11 through 24 are provisioned to support analog modem calls. Due to the DS0s provisioning, it is impossible for analog modems calls to be sent over the DS0s that map to time slots 1 through 10.

```
controller T1 0
cas-group 1 timeslots 1-10 type e&m-fgb service data
cas-group 1 timeslots 11-24 type e&m-fgb service voice
framing esf
clock source line primary
linecode b8zs
exit
```

Switched 56K and Analog Modem Calls over Separate T1 CAS Lines Example

The following example configures one Cisco access server to accept 50 percent switched 56K digital calls and 50 percent analog modem calls. The controllers T1 0 and T1 1 are configured to support the switched 56K digital calls using the **cas-group 1 timeslots 1-24 type e&m-fgb service digital** command. Controllers T1 2 and T1 3 are configured to support analog modem calls.

```

controller T1 0
  cas-group 1 timeslots 1-24 type e&m-fgb service data
  framing esf
  clock source line primary
  linecode b8zs
  exit
controller T1 1
  cas-group 1 timeslots 1-24 type e&m-fgb service data
  framing esf
  clock source line secondary
  linecode b8zs
  exit
controller T1 2
  cas-group 1 timeslots 1-24 type e&m-fgb service voice
  framing esf
  clock source internal
  linecode b8zs
  exit
controller T1 3
  cas-group 1 timeslots 1-24 type e&m-fgb service voice
  framing esf
  clock source internal
  linecode b8zs
  exit
copy running-config startup-config

```

Comprehensive Switched 56K Startup Configuration Example

The startup configuration in this section runs on the Cisco access server, as shown in [Figure 2](#). This configuration is for an IP dial-in scenario with a mix of switched 56K calls and modem calls. Switched 56K digital calls come into controllers T1 0 and T1 1. Analog modem calls come into controllers T1 2 and T1 3.

In this example, the switched 56K clients are single endpoints in a remote node configuration. If each switched 56K client were instead a router with a LAN behind it without port address translation (PAT) turned on, then a static address, subnet mask, and route must be configured for each remote endpoint. This configuration would best be done through RADIUS.

After a T1 time slot is configured with robbed-bit signaling using the **cas-group** command with the **service data** option, a logical serial interface is instantly created for each switched 56K channel. For example, signaling configured on all 24 time slots of controller T1 1 dynamically creates serial interfaces S0:0 through S0:23. You must then configure protocol support on each serial interface. No **interface group** command exists for serial interfaces, unlike asynchronous interfaces via the **interface group-async** command. Each serial interface must be individually configured. In most cases, the serial configurations will be identical. To streamline or shorten this configuration task, you might consider using a dialer interface, as shown in the following example.



Note

In the following example, only analog modem calls encounter the group asynchronous and line interfaces. Switched 56K calls encounter the logical serial interfaces and dialer interface.

```
version xx.x
service timestamps debug datetime msec
service timestamps log datetime msec
service password-encryption
no service udp-small-servers
no service tcp-small-servers
!
hostname 5300
!
aaa new-model
aaa authentication login default local
aaa authentication login console enable
aaa authentication login vty local
aaa authentication login dialin radius
aaa authentication ppp default local
aaa authentication ppp dialin if-needed radius
aaa authorization exec local radius
aaa authorization network radius
aaa accounting network start-stop radius
aaa accounting exec start-stop radius
!
enable secret cisco
!
username admin password cisco
async-bootp dns-server 10.1.3.1 10.1.3.2
!
!
! Switched 56K calls come into controllers T1 0 and T1 1. Take note of the keywords
! "service data" in the cas-group command.
!
controller T1 0
 framing esf
 clock source line primary
 linecode b8zs
 cas-group 0 timeslots 1-24 type e&m-fgb service data
!
controller T1 1
 framing esf
 clock source line secondary
 linecode b8zs
 cas-group 1 timeslots 1-24 type e&m-fgb service data
!
! Analog modem calls come into controllers T1 2 and T1 3.
!
controller T1 2
 framing esf
 clock source line internal
 linecode b8zs
 cas-group 2 timeslots 1-24 type e&m-fgb
!
controller T1 3
 framing esf
 clock source line internal
 linecode b8zs
 cas-group 3 timeslots 1-24 type e&m-fgb
!
interface loopback0
 ip address 10.1.2.62 255.255.255.192
!
interface Ethernet0
 no ip address
 shutdown
!
interface FastEthernet0
```

```
ip address 10.1.1.11 255.255.255.0
ip summary address eigrp 10.10.1.2.0 255.255.255.192
!
! Interface serial0:0 maps to the first switched 56K channel. The dialer pool-member
! command connects this channel to dialer interface 1.
!
interface Serial0:0
  dialer rotary-group 1
!
interface Serial0:1
  dialer rotary-group 1
!
interface Serial0:2
  dialer rotary-group 1
!
interface Serial0:3
  dialer rotary-group 1
!
interface Serial0:4
  dialer rotary-group 1
!
interface Serial0:5
  dialer rotary-group 1
!
interface Serial0:6
  dialer rotary-group 1
!
interface Serial0:7
  dialer rotary-group 1
!
interface Serial0:8
  dialer rotary-group 1
!
interface Serial0:9
  dialer rotary-group 1
!
interface Serial0:10
  dialer rotary-group 1
!
interface Serial0:11
  dialer rotary-group 1
!
interface Serial0:12
  dialer rotary-group 1
!
interface Serial0:13
  dialer rotary-group 1
!
interface Serial0:14
  dialer rotary-group 1
!
interface Serial0:15
  dialer rotary-group 1
!
interface Serial0:16
  dialer rotary-group 1
!
interface Serial0:17
  dialer rotary-group 1
!
interface Serial0:18
  dialer rotary-group 1
!
interface Serial0:19
```

```
dialer rotary-group 1
!
interface Serial0:20
  dialer rotary-group 1
!
interface Serial0:21
  dialer rotary-group 1
!
interface Serial0:22
  dialer rotary-group 1
!
! Interface serial 0:23 is the last switched 56K channel for controller T1 0.
!
interface Serial0:23
  dialer rotary-group 1
!
! The switched 56K channels for controller T1 1 begin with interface serial 1:0 and end
! with interface serial 1:23.
!
interface Serial1:0
  dialer rotary-group 1
!
interface Serial1:1
  dialer rotary-group 1
!
interface Serial1:2
  dialer rotary-group 1
!
interface Serial1:3
  dialer rotary-group 1
!
interface Serial1:4
  dialer rotary-group 1
!
interface Serial1:5
  dialer rotary-group 1
!
interface Serial1:6
  dialer rotary-group 1
!
interface Serial1:7
  dialer rotary-group 1
!
interface Serial1:8
  dialer rotary-group 1
!
interface Serial1:9
  dialer rotary-group 1
!
interface Serial1:10
  dialer rotary-group 1
!
interface Serial1:11
  dialer rotary-group 1
!
interface Serial1:12
  dialer rotary-group 1
!
interface Serial1:13
  dialer rotary-group 1
!
interface Serial1:14
  dialer rotary-group 1
!
```

```
interface Serial1:15
  dialer rotary-group 1
!
interface Serial1:16
  dialer rotary-group 1
!
interface Serial1:17
  dialer rotary-group 1
!
interface Serial1:18
  dialer rotary-group 1
!
interface Serial1:19
  dialer rotary-group 1
!
interface Serial1:20
  dialer rotary-group 1
!
interface Serial1:21
  dialer rotary-group 1
!
interface Serial1:22
  dialer rotary-group 1
!
interface Serial1:23
  dialer rotary-group 1
!
interface Group-Async1
  ip unnumbered Loopback0
  encapsulation ppp
  async mode interactive
  peer default ip address pool dialin_pool
  no cdp enable
  ppp authentication chap pap dialin
  group-range 1 96
!
interface Dialer1
  ip unnumbered Loopback0
  no ip mroute-cache
  encapsulation ppp
  peer default ip address pool dialin_pool
  no fair-queue
  no cdp enable
  ppp authentication chap pap dialin
!
router eigrp 10
  network 10.0.0.0
  passive-interface Dialer0
  no auto-summary
!
ip local pool dialin_pool 10.1.2.1 10.1.2.96
ip default-gateway 10.1.1.1
ip classless
!
dialer-list 1 protocol ip permit
radius-server host 10.1.1.23 auth-port 1645 acct-port 1646
radius-server host 10.1.1.24 auth-port 1645 acct-port 1646
radius-server key cisco
!
line con 0
  login authentication console
line 1 96
  autoselect ppp
  autoselect during-login
```



```

login authentication dialin
modem DialIn
line aux 0
login authentication console
line vty 0 4
login authentication vty
transport input telnet rlogin
!
end

```

ISDN CAS Examples

This section provides channelized E1 sample configurations for the Cisco access server. You can configure the 30 available channels with CAS, channel grouping, or a combination of the two. The following examples are provided:

- [Allocating All Channels for CAS Example](#)
- [Mixing and Matching Channels—CAS and Channel Grouping Example](#)

Allocating All Channels for CAS Example

The following interactive example configures channels (also known as time slots) 1 to 30 with ear and mouth channel signaling and feature group B support on a Cisco access server; it also shows that the router displays informative messages about each time slot. signaling messages are sent in the 16th time slot; therefore, that time slot is not brought up.

```

Router#
%SYS-5-CONFIG_I: Configured from console by console
Router# configure terminal
Enter configuration commands, one per line. End with CNTL/Z.
Router(config)# controller e1 0
Router(config-controller)# cas-group 1 timeslots 1-31 type e&m-fgb
Router(config-controller)#
%DSX0-5-RBSLINEUP: RBS of controller 0 timeslot 1 is up
%DSX0-5-RBSLINEUP: RBS of controller 0 timeslot 2 is up
%DSX0-5-RBSLINEUP: RBS of controller 0 timeslot 3 is up
%DSX0-5-RBSLINEUP: RBS of controller 0 timeslot 4 is up
%DSX0-5-RBSLINEUP: RBS of controller 0 timeslot 5 is up
%DSX0-5-RBSLINEUP: RBS of controller 0 timeslot 6 is up
%DSX0-5-RBSLINEUP: RBS of controller 0 timeslot 7 is up
%DSX0-5-RBSLINEUP: RBS of controller 0 timeslot 8 is up
%DSX0-5-RBSLINEUP: RBS of controller 0 timeslot 9 is up
%DSX0-5-RBSLINEUP: RBS of controller 0 timeslot 10 is up
%DSX0-5-RBSLINEUP: RBS of controller 0 timeslot 11 is up
%DSX0-5-RBSLINEUP: RBS of controller 0 timeslot 12 is up
%DSX0-5-RBSLINEUP: RBS of controller 0 timeslot 13 is up
%DSX0-5-RBSLINEUP: RBS of controller 0 timeslot 14 is up
%DSX0-5-RBSLINEUP: RBS of controller 0 timeslot 15 is up
%DSX0-5-RBSLINEUP: RBS of controller 0 timeslot 17 is up
%DSX0-5-RBSLINEUP: RBS of controller 0 timeslot 18 is up
%DSX0-5-RBSLINEUP: RBS of controller 0 timeslot 19 is up
%DSX0-5-RBSLINEUP: RBS of controller 0 timeslot 20 is up
%DSX0-5-RBSLINEUP: RBS of controller 0 timeslot 21 is up
%DSX0-5-RBSLINEUP: RBS of controller 0 timeslot 22 is up
%DSX0-5-RBSLINEUP: RBS of controller 0 timeslot 23 is up
%DSX0-5-RBSLINEUP: RBS of controller 0 timeslot 24 is up
%DSX0-5-RBSLINEUP: RBS of controller 0 timeslot 25 is up
%DSX0-5-RBSLINEUP: RBS of controller 0 timeslot 26 is up
%DSX0-5-RBSLINEUP: RBS of controller 0 timeslot 27 is up

```

```
%DSX0-5-RBSLINEUP: RBS of controller 0 timeslot 28 is up
%DSX0-5-RBSLINEUP: RBS of controller 0 timeslot 29 is up
%DSX0-5-RBSLINEUP: RBS of controller 0 timeslot 30 is up
%DSX0-5-RBSLINEUP: RBS of controller 0 timeslot 31 is up
```

Mixing and Matching Channels—CAS and Channel Grouping Example

The following interactive example shows you how to configure an E1 controller to support a combination of CAS and channel grouping. The range of time slots that you allocate must match the time slot allocations that your central office chooses to use. This configuration is rare because of the complexity of aligning the correct range of time slots on both ends of the connection.

Time slots 1 through 15 are assigned to channel group 1. In turn, these time slots are assigned to serial interface 0 and virtual channel group 1 (shown as serial 0:1).

```
Router(config)# controller e1 0
Router(config-controller)# channel-group 1 timeslots 1-15
Router(config-controller)#
%LINEPROTO-5-UPDOWN: Line protocol on Interface Serial0:1, changed state to down
%LINK-3-UPDOWN: Interface Serial0:1, changed state to up
%LINEPROTO-5-UPDOWN: Line protocol on Interface Serial0:1, changed state to up
```

Time slots 17 to 31 are configured with CAS:

```
Router(config-controller)# cas-group 2 timeslots 17-31 type e&m-rgb
%LINEPROTO-5-UPDOWN: Line protocol on Interface Serial0:1, changed state to down
Router(config-controller)#
%DSX0-5-RBSLINEUP: RBS of controller 0 timeslot 17 is up
%DSX0-5-RBSLINEUP: RBS of controller 0 timeslot 18 is up
%DSX0-5-RBSLINEUP: RBS of controller 0 timeslot 19 is up
%DSX0-5-RBSLINEUP: RBS of controller 0 timeslot 20 is up
%DSX0-5-RBSLINEUP: RBS of controller 0 timeslot 21 is up
%DSX0-5-RBSLINEUP: RBS of controller 0 timeslot 22 is up
%DSX0-5-RBSLINEUP: RBS of controller 0 timeslot 23 is up
%DSX0-5-RBSLINEUP: RBS of controller 0 timeslot 24 is up
%DSX0-5-RBSLINEUP: RBS of controller 0 timeslot 25 is up
%DSX0-5-RBSLINEUP: RBS of controller 0 timeslot 26 is up
%DSX0-5-RBSLINEUP: RBS of controller 0 timeslot 27 is up
%DSX0-5-RBSLINEUP: RBS of controller 0 timeslot 28 is up
%DSX0-5-RBSLINEUP: RBS of controller 0 timeslot 29 is up
%DSX0-5-RBSLINEUP: RBS of controller 0 timeslot 30 is up
%DSX0-5-RBSLINEUP: RBS of controller 0 timeslot 31 is up
Router(config-controller)#
```

E1 R2 Signaling Procedure

The following procedure configures R2 signaling and customizes R2 parameters on controller E1 2 of a Cisco AS5300 access server. In most cases, the same R2 signaling type is configured on each E1 controller.

Step 1 Enter global configuration mode using the **configure terminal** command:

```
Router# configure terminal
Enter configuration commands, one per line. End with CNTL/Z.
```

- Step 2** Specify the E1 controller that you want to configure with R2 signaling using the **controller e1 number** global configuration command. A controller informs the access server how to distribute or provision individual time slots for a connected channelized E1 line. You must configure one E1 controller for each E1 line.

```
Router(config)# controller e1 2
```

- Step 3** Configure CAS with the **cas-group channel timeslots range type signal** command. The signaling type forwarded by the connecting telco switch must match the signaling configured on the Cisco AS5300 access server. The Cisco IOS configuration options are **r2-analog**, **r2-digital**, or **r2-pulse**.

```
Router(config-controller)# cas-group 1 timeslots 1-31 type ?
e&m-fgb          E & M Type II FGB
e&m-fgd          E & M Type II FGD
e&m-immediate-start E & M Immediate Start
fxs-ground-start FXS Ground Start
fxs-loop-start   FXS Loop Start
p7              P7 Switch
r2-analog        R2 ITU Q411
r2-digital        R2 ITU Q421
r2-pulse         R2 ITU Supplement 7
sas-ground-start SAS Ground Start
sas-loop-start   SAS Loop Start
```

The following example specifies R2 ITU Q421 digital line signaling (**r2-digital**). This example also specifies R2 compelled register signaling and provisions the ANI ADDR option.

```
Router(config-controller)# cas-group 1 timeslots 1-31 type r2-digital r2-compelled ani
Router(config-controller)#
%DSX0-5-RBSLINEUP: RBS of controller 0 timeslot 1 is up
%DSX0-5-RBSLINEUP: RBS of controller 0 timeslot 2 is up
%DSX0-5-RBSLINEUP: RBS of controller 0 timeslot 3 is up
%DSX0-5-RBSLINEUP: RBS of controller 0 timeslot 4 is up
%DSX0-5-RBSLINEUP: RBS of controller 0 timeslot 5 is up
%DSX0-5-RBSLINEUP: RBS of controller 0 timeslot 6 is up
%DSX0-5-RBSLINEUP: RBS of controller 0 timeslot 7 is up
%DSX0-5-RBSLINEUP: RBS of controller 0 timeslot 8 is up
%DSX0-5-RBSLINEUP: RBS of controller 0 timeslot 9 is up
%DSX0-5-RBSLINEUP: RBS of controller 0 timeslot 10 is up
%DSX0-5-RBSLINEUP: RBS of controller 0 timeslot 11 is up
%DSX0-5-RBSLINEUP: RBS of controller 0 timeslot 12 is up
%DSX0-5-RBSLINEUP: RBS of controller 0 timeslot 13 is up
%DSX0-5-RBSLINEUP: RBS of controller 0 timeslot 14 is up
%DSX0-5-RBSLINEUP: RBS of controller 0 timeslot 15 is up
%DSX0-5-RBSLINEUP: RBS of controller 0 timeslot 17 is up
%DSX0-5-RBSLINEUP: RBS of controller 0 timeslot 18 is up
%DSX0-5-RBSLINEUP: RBS of controller 0 timeslot 19 is up
%DSX0-5-RBSLINEUP: RBS of controller 0 timeslot 20 is up
%DSX0-5-RBSLINEUP: RBS of controller 0 timeslot 21 is up
%DSX0-5-RBSLINEUP: RBS of controller 0 timeslot 22 is up
%DSX0-5-RBSLINEUP: RBS of controller 0 timeslot 23 is up
%DSX0-5-RBSLINEUP: RBS of controller 0 timeslot 24 is up
%DSX0-5-RBSLINEUP: RBS of controller 0 timeslot 25 is up
%DSX0-5-RBSLINEUP: RBS of controller 0 timeslot 26 is up
%DSX0-5-RBSLINEUP: RBS of controller 0 timeslot 27 is up
%DSX0-5-RBSLINEUP: RBS of controller 0 timeslot 28 is up
%DSX0-5-RBSLINEUP: RBS of controller 0 timeslot 29 is up
%DSX0-5-RBSLINEUP: RBS of controller 0 timeslot 30 is up
%DSX0-5-RBSLINEUP: RBS of controller 0 timeslot 31 is up
```



Note The actual R2 CAS is configured on the 16th time slot, which is why the time slot does not come up in the example output. For a description of the supported R2 signaling options, refer to the **cas-group** command for the E1 controller in the *Cisco IOS Dial Technologies Command Reference*.

- Step 4** Customize some of the E1 R2 signaling parameters with the **cas-custom** *channel* controller configuration command. This example specifies the default R2 settings for Argentina. For custom options, refer to the **cas-custom** command in the *Cisco IOS Dial Technologies Command Reference*.

```
Router(config-controller)# cas-custom 1
Router(config-ctrl-cas)# ?
CAS custom commands:
  ani-digits           Expected number of ANI digits
  answer-signal       Answer signal to be used
  caller-digits       Digits to be collected before requesting CallerID
  category            Category signal
  country             Country Name
  default             Set a command to its defaults
  dnis-digits         Expected number of DNIS digits
  exit               Exit from cas custom mode
  invert-abcd        invert the ABCD bits before tx and after rx
  ka                 KA Signal
  kd                 KD Signal
  metering           R2 network is sending metering signal
  nc-congestion      Non Compelled Congestion signal
  no                 Negate a command or set its defaults
  request-category   DNIS digits to be collected before requesting category
  unused-abcd        Unused ABCD bit values

Router(config-ctrl-cas)# country ?
  argentina           Argentina
  australia           Australia
  brazil              Brazil
  china               China
  colombia            Colombia
  .
  .
  .

Router(config-ctrl-cas)# country argentina ?
  use-defaults       Use Country defaults
  <cr>

Router(config-ctrl-cas)# country argentina use-defaults
```



Note We highly recommend that you specify the default settings of your country. To display a list of supported countries, enter the **country?** command. The default setting for all countries is ITU.

R1 Modified Signaling Using an E1 Interface Example

The following example shows a configuration sample for R1 modified signaling on a Cisco access sever, using an E1 interface:

```
version xx.x
service timestamps debug datetime msec
```

```
no service password-encryption
!
hostname router
!
enable secret 5 $1$YAaG$L0jTcQ.nMH.gpFYXaOU5c.
!
no modem fast-answer
ip host dirt 10.255.254.254
ip multicast rpf-check-interval 0
isdn switch-type primary-dms100
!
!
controller E1 0
  clock source line primary
  cas-group 1 timeslots 1-15,17-31 type r1-modified ani-dnis
!
controller E1 1
  clock source line secondary
  cas-group 1 timeslots 1-15,17-31 type r1-modified ani-dnis
!
controller E1 2
  clock source internal
!
controller E1 3
  clock source internal
!
interface Ethernet0
  ip address 10.19.36.7 255.255.0.0
  no ip mroute-cache
!
interface FastEthernet0
  no ip address
  no ip route-cache
  no ip mroute-cache
  shutdown
!
interface Group-Async1
  ip unnumbered Ethernet0
  encapsulation ppp
  dialer in-band
  dialer idle-timeout 480
  dialer-group 1
  async dynamic address
  async mode interactive
  peer default ip address pool DYNAMIC
  no fair-queue
  no cdp enable
  group-range 1 108
!
router igrp 200
  network 10.0.0.0
  network 192.168.254.0
!
no ip classless
ip route 0.0.0.0 0.0.0.0 Ethernet0
logging source-interface Ethernet0
!
line con 0
  exec-timeout 0 0
line 1 108
  exec-timeout 0 0
  modem InOut
  transport input all
line aux 0
```

```

line vty 0 4
!
end

```

R1 Modified Signaling for Taiwan Configuration Example

The following example shows how to configure R1 modified signaling for Taiwan:

```

service timestamps debug datetime msec
no service password-encryption
!
hostname router
!
enable secret 5 $1$YaaG$L0jTcQ.nMH.gpFYXaOU5c.
!
no modem fast-answer
ip host dirt 192.168.254.254
ip multicast rpF-check-interval 0
isdn switch-type primary-dms100
!
!
controller T1 1/1/0
 framing esf
 linecode b8zs
 cablelength short 133
 pri-group timeslots 1-24
 fdl att
!
controller T1 1/1/1
 framing esf
 linecode b8zs
 cablelength short 133
 cas-group 1 timeslots 1-24 type r1-modified
 fdl att
!
controller T1 1/1/2
 framing esf
 linecode b8zs
 cablelength short 133
 pri-group timeslots 1-24
 fdl att
!
controller T1 1/1/3
 framing esf
 linecode b8zs
 cablelength short 133
 pri-group timeslots 1-24
 fdl att
!

```

Cisco and the Cisco Logo are trademarks of Cisco Systems, Inc. and/or its affiliates in the U.S. and other countries. A listing of Cisco's trademarks can be found at www.cisco.com/go/trademarks. Third party trademarks mentioned are the property of their respective owners. The use of the word partner does not imply a partnership relationship between Cisco and any other company. (1005R)

Any Internet Protocol (IP) addresses and phone numbers used in this document are not intended to be actual addresses and phone numbers. Any examples, command display output, network topology diagrams, and other figures included in the document are shown for illustrative purposes only. Any use of actual IP addresses or phone numbers in illustrative content is unintentional and coincidental.

© 2007–2009 Cisco Systems, Inc. All rights reserved.



Dialing Number Enhancement

Feature History

Release	Modification
12.2(11)T	This feature was introduced.

This document describes the Asynchronous Line Monitoring feature feature. It includes the following sections:

- [Feature Overview, page 601](#)
- [Supported Platforms, page 602](#)
- [Supported Standards, MIBs, and RFCs, page 603](#)
- [Configuration Tasks, page 603](#)
- [Monitoring and Maintaining Asynchronous Line Monitoring feature, page 604](#)
- [Configuration Examples, page 604](#)
- [Command Reference, page 606](#)

Feature Overview

The Asynchronous Line Monitoring feature feature removes previous restrictions on the number of dialed digits accepted as a valid telephone number in the Called Party number information element (IE) for the National or International numbering types.

Benefits

The Asynchronous Line Monitoring feature feature is a change to the Cisco IOS software that makes the ISDN dialing plan more flexible by allowing a range rather than a restricted number of digits to be accepted for dialing.



Restrictions

The Asynchronous Line Monitoring feature feature was developed for interfaces configured for network-side ISDN where the Called Party IE digits are of National or International numbering types.

Related Documents

Refer to the chapter “Configuring Network Side ISDN PRI Signaling, Trunking, and Switching” in the part “Signaling Configuration” in the *Cisco IOS Dial Technologies Configuration Guide*, Release 12.2, for more information about configuring network-side ISDN switches.

Supported Platforms

The Asynchronous Line Monitoring feature feature is supported on the following platforms:

Cisco 2600 series

Cisco 3620

Cisco 3640

Cisco 3660

Cisco AS5300 series

Cisco AS5350

Cisco AS5400 series

Cisco AS5800 series

Cisco AS5850

Cisco 7200 series

Determining Platform Support Through Cisco Feature Navigator

Cisco IOS software is packaged in feature sets that support specific platforms. To get updated information regarding platform support for this feature, access Cisco Feature Navigator. Cisco Feature Navigator dynamically updates the list of supported platforms as new platform support is added for the feature.

Cisco Feature Navigator is a web-based tool that enables you to quickly determine which Cisco IOS software images support a specific set of features and which features are supported in a specific Cisco IOS image. You can search by feature or release. Under the release section, you can compare releases side by side to display both the features unique to each software release and the features in common.

To access Cisco Feature Navigator, you must have an account on Cisco.com. If you have forgotten or lost your account information, send a blank e-mail to cco-locksmith@cisco.com. An automatic check will verify that your e-mail address is registered with Cisco.com. If the check is successful, account details with a new random password will be e-mailed to you. Qualified users can establish an account on Cisco.com by following the directions at <http://www.cisco.com/register>.

Cisco Feature Navigator is updated regularly when major Cisco IOS software releases and technology releases occur. For the most current information, go to the Cisco Feature Navigator home page at the following URL:

<http://www.cisco.com/go/fn>

Supported Standards, MIBs, and RFCs

Standards

None

MIBs

None

To obtain lists of supported MIBs by platform and Cisco IOS release, and to download MIB modules, go to the Cisco MIB website on Cisco.com at the following URL:

<http://www.cisco.com/public/sw-center/netmgmt/cmtk/mibs.shtml>

RFCs

None

Configuration Tasks

No new commands are associated with the Asynchronous Line Monitoring feature. See the “[Troubleshooting Tips](#)” section for information about verifying numbering plans and switch types configured. See the “[Configuration Examples](#)” section for configuration examples.

Troubleshooting Tips

To learn and, if necessary, change the numbering plan and type currently configured on the ISDN interface, perform the following steps:

- Step 1** To learn the numbering plan and type currently configured, use the **debug isdn q931** command in EXEC mode:

```
Router# debug isdn q931

4wld: ISDN Se0:23: TX -> SETUP pd = 8 callref = 0x000D
4wld:         Bearer Capability i = 0x8890
4wld:         Channel ID i = 0xA98397
4wld:         Called Party Number i = 0xA1, '12345', Plan:ISDN, Type:National
4wld: ISDN Se0:23: RX <- RELEASE_COMP pd = 8 callref = 0x800D
```

The Called Party Number report lists the numbering plan and type.

- Step 2** To change the numbering plan and type, use the **isdn map** command in interface configuration mode. Use the command line interface help feature to list the choices.

```
Router(config-if)# isdn map address 78886 plan ?

data          Data plan
isdn          ISDN plan
national      National plan
privacy       Private plan
reserved      Reserved extension
```

```

.
.
.
reserved/7    Reserved value 7
telex         TELEX plan
unknown       Unknown plan

Router(config-if)# isdn map address 78886 plan isdn type ?

abbreviated   Abbreviated type
international International type
national      National type
network       Network type
reserved      Reserved type
reserved/5    Reserved value 5
subscriber    Subscriber type
unknown       Unknown type

```

Step 3 To force the ISDN numbering plan and National type on the peer (calling number) side, use the **isdn map** command with the following keywords in interface configuration mode:

```
Router(config-if)# isdn map address telephone-number plan isdn type national
```

Monitoring and Maintaining Asynchronous Line Monitoring feature

To monitor and maintain the Asynchronous Line Monitoring feature feature, use the procedure in the [“Troubleshooting Tips”](#) section.

You may also find the following EXEC command useful for displaying an extensive report about the ISDN interfaces, including the switch type and the status of ISDN Layers 1 through 3:

Command	Purpose
Router# show isdn status [<i>interface-type number</i>]	Displays the status of all ISDN interfaces, or just the specified interface.

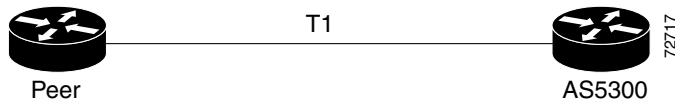
Configuration Examples

This section provides the following configuration examples:

- [Data Call Asynchronous Line Monitoring feature Example](#)
- [Voice Call Asynchronous Line Monitoring feature Example](#)

Data Call Asynchronous Line Monitoring feature Example

The following example shows configurations for inserting telephone numbers with varying numbers of digits for data calls.

Figure 1 Data Call Asynchronous Line Monitoring**Peer Router Configuration**

```
interface Serial0:23
 ip address 10.10.1.1 255.255.255.0
 encapsulation ppp
 dialer string 19165551213
 dialer-group 1
 isdn switch-type primary-ni
 isdn map address 19165551213 plan isdn type national
```

AS5300 Router Configuration

```
interface Serial0:23
 ip address 10.10.1.2 255.255.255.0
 encapsulation ppp
 dialer string 5551212
 dialer-group 1
 isdn switch-type primary-ni
 isdn protocol-emulate network
```

Voice Call Asynchronous Line Monitoring feature Example

The following example shows configurations for inserting both PBX and public telephone service telephone numbers with varying numbers of digits for voice calls. The PBX is configured for National ISDN with numbering type National.

Figure 2 Voice Call Asynchronous Monitoring**Cisco Voice Gateway 1 Configuration**

```
interface Serial0:23
 no ip address
 isdn switch-type primary-ni
 isdn protocol-emulate network
 isdn incoming-voice modem
 dial-peer voice 100 pots
 destination-pattern 50001
 no digit-strip
 direct-inward-dial
 port 0:D
 dial-peer voice 200 voip
 destination-pattern 14085551213
 session target ipv4:10.0.194.2
 dtmf-relay h245-signal h245-alphanumeric
```

Cisco Voice Gateway 2 Configuration

```
dial-peer voice 100 voip
 destination-pattern 50001
```

```
session target ipv4:10.0.194.52
dtmf-relay h245-signal h245-alphanumeric
```

Command Reference

This feature uses no new or modified commands. For information about all Cisco IOS commands, go to the Command Lookup Tool at <http://tools.cisco.com/Support/CLILookup> or to the *Cisco IOS Master Commands List*.

Cisco and the Cisco Logo are trademarks of Cisco Systems, Inc. and/or its affiliates in the U.S. and other countries. A listing of Cisco's trademarks can be found at www.cisco.com/go/trademarks. Third party trademarks mentioned are the property of their respective owners. The use of the word partner does not imply a partnership relationship between Cisco and any other company. (1005R)

Any Internet Protocol (IP) addresses and phone numbers used in this document are not intended to be actual addresses and phone numbers. Any examples, command display output, network topology diagrams, and other figures included in the document are shown for illustrative purposes only. Any use of actual IP addresses or phone numbers in illustrative content is unintentional and coincidental.

© 2007–2009 Cisco Systems, Inc. All rights reserved.



ISDN BCAC and Round-Robin Channel Selection Enhancements

First Published: May 20, 2003
Last Updated: April 12, 2011

The ISDN BCAC and Round-Robin Channel Selection Enhancements feature allows more dynamic control of the ISDN B channels by providing the additional B-Channel Availability Control (BCAC) functionality for configuring message signaling and an enhanced channel selection scheme that adds a round-robin configuration to the existing ascending and descending channel selection schemes already available.

Finding Feature Information

Your software release may not support all the features documented in this module. For the latest feature information and caveats, see the release notes for your platform and software release. To find information about the features documented in this module, and to see a list of the releases in which each feature is supported, see the [“Feature Information for ISDN BCAC and Round-Robin Channel Selection Enhancements”](#) section on page 12.

Use Cisco Feature Navigator to find information about platform support and Cisco software image support. To access Cisco Feature Navigator, go to <http://www.cisco.com/go/cfn>. An account on Cisco.com is not required.

Contents

- [Prerequisites for ISDN BCAC and Round-Robin Channel Selection Enhancements, page 2](#)
- [Information About ISDN BCAC and Round-Robin Channel Selection Enhancements, page 2](#)
- [How to Configure the ISDN BCAC and Round-Robin Channel Selection Enhancements, page 3](#)
- [Configuration Examples for ISDN BCAC and Round-Robin Channel Selection Enhancements, page 8](#)
- [Additional References, page 10](#)



Americas Headquarters:
Cisco Systems, Inc., 170 West Tasman Drive, San Jose, CA 95134-1706 USA

- [Feature Information for ISDN BCAC and Round-Robin Channel Selection Enhancements, page 12](#)
- [Glossary, page 13](#)

Prerequisites for ISDN BCAC and Round-Robin Channel Selection Enhancements

You need to be familiar with the BCAC service message signaling procedure and the procedure for configuring ISDN PRI before configuring the commands described in this document. See the “Standards” section on page 10 for a list of references.

Information About ISDN BCAC and Round-Robin Channel Selection Enhancements

- [BCAC Enhancements, page 2](#)
- [Round-Robin Selection Scheme for ISDN B Channels, page 3](#)
- [Logging of ISDN Events, page 3](#)
- [Additional ISDN Switch Types Supported for Network Emulation, page 3](#)

BCAC Enhancements

BCAC is a service message signaling procedure used to control the availability of ISDN B channels. BCAC provides a coordinated capability between both ends of a PRI to simultaneously preclude selection of specified B channels for outgoing calls, and reject calls (if channel negotiation is employed, calls may go on another channel) for those same channels. The basic BCAC functionality for the handling of SERV and SERV ACK messages already exists on Cisco routers. In Cisco IOS Release 12.3(1), the software has been enhanced with the following BCAC functionality:

- Provides improved processing of SERV and SERV ACK messages. Even though these messages are already handled in the Cisco IOS software, their processing has been enhanced to more closely align with the behavior described in the standards.
- Provides a mechanism to allow the retransmission of SERV messages.
- Handles SERV message collision cases.
- Provides service status audits for various audit triggers.
- Provides an option, that when set, triggers the exchange of service messages on all channels of the interface when the router is rebooted and when the signaling link comes up.
- Provides a mechanism so that if there is a flood of service messages that need to be sent, the service messages can be throttled to avoid losing them.
- Initializes the B-channel service status upon provisioning.

Round-Robin Selection Scheme for ISDN B Channels

ISDN enhancements introduced in Cisco IOS Release 12.3(1) enable you to select a B channel on a PRI or a nonfacility associated signaling (NFAS) interface in a round-robin fashion. This option is in addition to the ascending or descending channel selection schemes already available.

Logging of ISDN Events

ISDN enhancements introduced in Cisco IOS Release 12.3(1) support syslog logging of the following ISDN events:

- ISDN Layer 2 Up and Down events at severity 3.
- ISDN SERV, SERV ACK, RESTART, RESTART ACK, and STATUS ENQ messages at severity 4.
- ISDN SERV status audit messages for various triggers at different severities.

Additional ISDN Switch Types Supported for Network Emulation

ISDN enhancements introduced in Cisco IOS Release 12.3(1) extend network emulation capability to the Lucent 4ESS, 5ESS, and Nortel DMS-100 ISDN switch types. These switch types can be configured as network, but not all network-side features are supported.

How to Configure the ISDN BCAC and Round-Robin Channel Selection Enhancements

- [Configuring BCAC Service Audit Triggers, page 3](#) (optional)
- [Configuring BCAC Service State Triggers, page 4](#) (optional)
- [Configuring BCAC Message Retransmission, page 5](#) (optional)
- [Configuring B-Channel Selection Order, page 6](#) (optional)
- [Configuring ISDN Syslog Messages, page 7](#) (optional)

Configuring BCAC Service Audit Triggers

Perform this task to configure BCAC service audit triggers.

SUMMARY STEPS

1. **enable**
2. **configure terminal**
3. **interface serial** *port:channel*
4. **isdn bcac service audit**
5. **isdn bcac service audit trigger** *number*

6. **isdn bcac service audit interface**
7. **end**

DETAILED STEPS

	Command or Action	Purpose
Step 1	enable Example: Router> enable	Enables privileged EXEC mode. <ul style="list-style-type: none"> • Enter your password if prompted.
Step 2	configure terminal Example: Router# configure terminal	Enters global configuration mode.
Step 3	interface serial port:channel Example: Router(config)# interface serial 2:23	Enters interface configuration mode on the specified serial port and channel.
Step 4	isdn bcac service audit Example: Router(config-if)# isdn bcac service audit	Enables BCAC service audits.
Step 5	isdn bcac service audit trigger number Example: Router(config-if)# isdn bcac service audit trigger 2	Enables individual BCAC service audit triggers.
Step 6	isdn bcac service audit interface Example: Router(config-if)# isdn bcac service audit interface	Specifies that BCAC service audits must be triggered on the entire interface.
Step 7	end Example: Router(config-if)# end	Exits interface configuration mode and returns to privileged EXEC mode.

Configuring BCAC Service State Triggers

Perform this task to configure BCAC service state triggers.

SUMMARY STEPS

1. **enable**
2. **configure terminal**
3. **interface serial port:channel**

4. **isdn bcac service update provision**
5. **isdn bcac service update linkup**
6. **end**

DETAILED STEPS

	Command or Action	Purpose
Step 1	enable Example: Router> enable	Enables privileged EXEC mode. <ul style="list-style-type: none"> • Enter your password if prompted.
Step 2	configure terminal Example: Router# configure terminal	Enters global configuration mode.
Step 3	interface serial <i>port:channel</i> Example: Router(config)# interface serial 2:23	Enters interface configuration mode on the specified serial port and channel.
Step 4	isdn bcac service update provision Example: Router(config-if)# isdn bcac service update provision	Enables the BCAC service status functionality for provisioning the B channels.
Step 5	isdn bcac service update linkup Example: Router(config-if)# isdn bcac service update linkup	Triggers updates of the BCAC service states between peer nodes through exchange of SERV and SERV ACK messages.
Step 6	end Example: Router(config-if)# end	Exits interface configuration mode and returns to privileged EXEC mode.

Configuring BCAC Message Retransmission

Perform this task to configure retransmission of BCAC service messages.

SUMMARY STEPS

1. **enable**
2. **configure terminal**
3. **interface serial** *port:channel*
4. **isdn bcac service timer** *timer-value*
5. **isdn bcac service retry** *max retries*

6. `isdn bcac service retry in-serv-on-fail`
7. `end`

DETAILED STEPS

	Command or Action	Purpose
Step 1	<code>enable</code> Example: Router> <code>enable</code>	Enables privileged EXEC mode. <ul style="list-style-type: none"> • Enter your password if prompted.
Step 2	<code>configure terminal</code> Example: Router# <code>configure terminal</code>	Enters global configuration mode.
Step 3	<code>interface serial port:channel</code> Example: Router(config)# <code>interface serial 2:23</code>	Enters interface configuration mode on the specified serial port and channel.
Step 4	<code>isdn bcac service timer timer-value</code> Example: Router(config-if)# <code>isdn bcac service timer 600</code>	Changes the value of the BCAC T3M1 or T323 service message timer. <ul style="list-style-type: none"> • Valid range is from 500 to 120000 ms, and the default is 120000 ms.
Step 5	<code>isdn bcac service retry max retries</code> Example: Router(config-if)# <code>isdn bcac service retry max retries 5</code>	Specifies the maximum number of times that a BCAC service message can be retransmitted when unacknowledged. <ul style="list-style-type: none"> • The default is 2 attempts, and you can enter a number from 0 to 127.
Step 6	<code>isdn bcac service retry in-serv-on-fail</code> Example: Router(config-if)# <code>isdn bcac service retry in-serv-on-fail</code>	Specifies that the BCAC service state of the channel needs to be changed to In-Service, because no acknowledgment message was received.
Step 7	<code>end</code> Example: Router(config-if)# <code>end</code>	Exits interface configuration mode and returns to privileged EXEC mode.

Configuring B-Channel Selection Order

Perform this task to configure selection order of the ISDN B channels.

SUMMARY STEPS

1. `enable`
2. `configure terminal`

3. **interface serial** *port:channel*
4. **isdn bchan-number-order** {**ascending** | **descending**} [**round-robin**]
5. **end**

DETAILED STEPS

	Command or Action	Purpose
Step 1	enable Example: Router> enable	Enables privileged EXEC mode. <ul style="list-style-type: none"> • Enter your password if prompted.
Step 2	configure terminal Example: Router# configure terminal	Enters global configuration mode.
Step 3	interface serial <i>port:channel</i> Example: Router(config)# interface serial 2:23	Enters interface configuration mode on the specified serial port and channel.
Step 4	isdn bchan-number-order { ascending descending } [round-robin] Example: Router(config-if)# isdn bchan-number-order ascending round-robin	Configures an ISDN PRI interface to make outgoing call selection in ascending or descending order. <ul style="list-style-type: none"> • The optional round-robin keyword adds the round-robin selection functionality to the selection order.
Step 5	end Example: Router(config-if)# end	Exits interface configuration mode and returns to privileged EXEC mode.

Configuring ISDN Syslog Messages

Perform this task to configure logging of ISDN syslog messages.

SUMMARY STEPS

1. **enable**
2. **configure terminal**
3. **isdn logging**
4. **end**

DETAILED STEPS

	Command or Action	Purpose
Step 1	<code>enable</code> Example: <code>Router> enable</code>	Enables privileged EXEC mode. <ul style="list-style-type: none"> Enter your password if prompted.
Step 2	<code>configure terminal</code> Example: <code>Router# configure terminal</code>	Enters global configuration mode.
Step 3	<code>isdn logging</code> Example: <code>Router(config)# isdn logging</code>	Enables logging of ISDN syslog messages.
Step 4	<code>end</code> Example: <code>Router(config)# end</code>	Exits global configuration mode and returns to privileged EXEC mode.

Configuration Examples for ISDN BCAC and Round-Robin Channel Selection Enhancements

- [Example: Configuring BCAC Service Audit Triggers, page 8](#)
- [Example: Configuring BCAC Service State Triggers, page 9](#)
- [Example: Configuring BCAC Message Retransmission, page 9](#)
- [Example: Configuring B-Channel Selection Order, page 9](#)
- [Example: Configuring ISDN Syslog Messages, page 9](#)

Example: Configuring BCAC Service Audit Triggers

The following example shows how to enable service audits on serial interface 4:23:

```
interface serial 4:23
 isdn bcac service audit
```

The following example shows how to disable service trigger 4 on serial interface 4:23:

```
interface serial 4:23
 no isdn bcac service audit trigger 4
```

See the command page for the `isdn bcac service audit trigger` command for a list of triggers that can be disabled.

The following example shows how to configure service audits on the entire interface:

```
interface serial 4:23
 isdn bcac service audit interface
```

Example: Configuring BCAC Service State Triggers

The following example shows how to enable the SERV status message for provisioning the B channels on serial interface 4:23:

```
interface serial 4:23
 isdn bcac service update provision
```

The following example shows how to trigger service state updates on serial interface 4:23:

```
interface serial 4:23
 isdn bcac service update linkup
```

Example: Configuring BCAC Message Retransmission

The following example shows how to configure an option whereby, on service message exchange failure, the service state of the concerned channel or channels will be set to In-Service:

```
interface serial 2:23
 isdn bcac service retry in-serv-on-fail
```

The following example shows how to set the maximum number of service message retransmissions on serial interface 2:23 to 50:

```
interface serial 2:23
 isdn bcac service retry max 50
```

The following example shows how to change the service timers to 600 ms on serial interface 2:23:

```
interface serial 2:23
 isdn bcac service timer 600
```

Example: Configuring B-Channel Selection Order

The following example configures the outgoing B channel selection order on a PRI interface to be round-robin in ascending order:

```
interface serial 5:10
 isdn bchan-number-order ascending round-robin
```

Example: Configuring ISDN Syslog Messages

The following example shows how to configure ISDN syslog logging:

```
isdn logging
```

Additional References

Related Documents

Related Topic	Document Title
Cisco IOS commands	Cisco IOS Master Commands List, All Releases
Dial commands	Cisco IOS Dial Technologies Command Reference
Fax, modem, and text support over IP configuration	Cisco IOS Fax, Modem, and Text Support over IP Configuration Guide
ISDN voice commands	Cisco IOS Voice Command Reference
ISDN voice configuration	Cisco IOS ISDN Voice Configuration Guide

Standards

Standard	Title
AT&T PRI	Technical Report 41459— <i>AT&T ISDN Primary Rate Interface and Special Application Specification</i> ; “User Network Interface Description,” 1999.
National ISDN Council (NIC) PRI	SR (Special Report)—NWT-002343— <i>ISDN Primary Rate Interface Generic Guidelines for Customer Premises Equipment</i> , June 1993. SR-3887— <i>National ISDN Primary Rate Interface Customer Premises Equipment Generic Guidelines</i> , 1996.
Nortel PRI	NIS (Network Interface Specification)—A211-1— <i>DMS100 ISDN Primary Rate Network User Interface</i> , 1993.

MIBs

MIB	MIBs Link
None	To locate and download MIBs for selected platforms, Cisco software releases, and feature sets, use Cisco MIB Locator found at the following URL: http://www.cisco.com/go/mibs

RFCs

RFC	Title
None	—

Technical Assistance

Description	Link
<p>The Cisco Support and Documentation website provides online resources to download documentation, software, and tools. Use these resources to install and configure the software and to troubleshoot and resolve technical issues with Cisco products and technologies. Access to most tools on the Cisco Support and Documentation website requires a Cisco.com user ID and password.</p>	<p>http://www.cisco.com/cisco/web/support/index.html</p>

Feature Information for ISDN BCAC and Round-Robin Channel Selection Enhancements

Table 1 lists the release history for this feature.

Use Cisco Feature Navigator to find information about platform support and software image support. Cisco Feature Navigator enables you to determine which software images support a specific software release, feature set, or platform. To access Cisco Feature Navigator, go to <http://www.cisco.com/go/cfn>. An account on Cisco.com is not required.



Note

Table 1 lists only the software release that introduced support for a given feature in a given software release train. Unless noted otherwise, subsequent releases of that software release train also support that feature.

Table 1 Feature Information for ISDN BCAC and Round-Robin Channel Selection Enhancements

Feature Name	Releases	Feature Information
ISDN BCAC and Round-Robin Channel Selection Enhancements	12.3(1)	<p>The ISDN BCAC and Round-Robin Channel Selection Enhancements feature allows more dynamic control of the ISDN B channels by providing the additional B-Channel Availability Control (BCAC) functionality for configuring message signaling and an enhanced channel selection scheme that adds round-robin configuration to the existing ascending and descending channel selection schemes already available.</p> <p>The following commands were introduced or modified: isdn bcac service audit, isdn bcac service audit interface, isdn bcac service audit trigger, isdn bcac service retry in-serv-on-fail, isdn bcac service retry max, isdn bcac service timer, isdn bcac service update linkup, isdn bcac service update provision, isdn bchan-number-order, isdn logging, isdn protocol-emulate (dial).</p>

Glossary

PBX—private branch exchange.

RESTART—restart message.

RESTART ACK—restart acknowledge message.

SERV—service message.

SERV ACK—service acknowledge message.

STATUS ENQ—status enquiry message.

Cisco and the Cisco Logo are trademarks of Cisco Systems, Inc. and/or its affiliates in the U.S. and other countries. A listing of Cisco's trademarks can be found at www.cisco.com/go/trademarks. Third party trademarks mentioned are the property of their respective owners. The use of the word partner does not imply a partnership relationship between Cisco and any other company. (1005R)

Any Internet Protocol (IP) addresses and phone numbers used in this document are not intended to be actual addresses and phone numbers. Any examples, command display output, network topology diagrams, and other figures included in the document are shown for illustrative purposes only. Any use of actual IP addresses or phone numbers in illustrative content is unintentional and coincidental.

© 2003– 2011 Cisco Systems, Inc. All rights reserved.



ISDN PRI-SLT

The Asynchronous Line Monitoring feature allows you to release the ISDN PRI signaling time slot for Redundant Link Manager (RLM) configurations, and for Signaling System 7 (SS7) applications in integrated Signaling Link Terminal (SLT) configurations. This feature supports the use of DS0 time slots for SS7 links, and allows the coexistence of SS7 links and PRI voice and data bearer channels on the same T1 or E1 controller span.

Feature Specifications for Asynchronous Line Monitoring feature

Feature History

Release	Modification
12.2(8)B	This feature was introduced.
12.2(15)T	This feature was integrated into Cisco IOS Release 12.2(15)T.

Supported Platforms

Cisco AS5300; Cisco AS5350; Cisco AS5400; Cisco AS5800; Cisco AS5850

Finding Support Information for Platforms and Cisco IOS Software Images

Use Cisco Feature Navigator to find information about platform support and Cisco IOS software image support. Access Cisco Feature Navigator at <http://www.cisco.com/go/fn>. You must have an account on Cisco.com. If you do not have an account or have forgotten your username or password, click **Cancel** at the login dialog box and follow the instructions that appear.

Contents

- [Information About Asynchronous Line Monitoring feature, page 620](#)
- [How to Configure Asynchronous Line Monitoring feature, page 622](#)
- [Configuration Examples for Asynchronous Line Monitoring feature, page 625](#)
- [Additional References, page 626](#)
- [Command Reference, page 628](#)



Americas Headquarters:
Cisco Systems, Inc., 170 West Tasman Drive, San Jose, CA 95134-1706 USA

Information About Asynchronous Line Monitoring feature

To configure the Asynchronous Line Monitoring feature, you need to understand the following concepts:

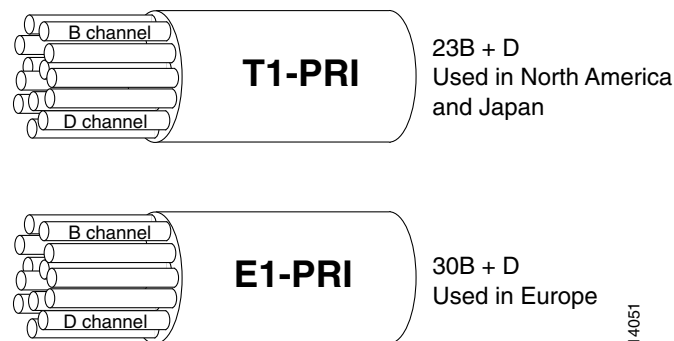
- [ISDN Assumptions About the Location of the PRI D Channel](#), page 620
- [ISDN Commands Supported by Asynchronous Line Monitoring feature](#), page 621
- [The D-Channel Interface and Cisco SS7 Interconnect for Voice Gateways](#), page 622

ISDN Assumptions About the Location of the PRI D Channel

ISDN PRI is designed to carry large numbers of incoming ISDN calls at large central site locations. ISDN PRI has 23 B channels running at 64 kbps each and a shared 64-kbps D channel that carries signaling traffic. ISDN PRI is often referred to as “23 B + D” (North America and Japan) or “30 B + D” (Europe and the rest of the world).

[Figure 1](#) shows how many B channels and D channels are assigned to the ISDN media types.

Figure 1 *BRI and PRI Channel Assignments*



[Figure 2](#) shows the logical contents of a Cisco ISDN PRI interface used in a standard T1 network configuration.

Figure 2 Logical Relationship of ISDN PRI Components for T1

Channel Type	Time Slot Number	Virtual Serial Interface Number
B (data channel)	1	S0:0
B (data channel)	2	S0:1
B (data channel)	3	S0:2
B (data channel)	4	S0:3
•	•	•
•	•	•
•	•	•
•	•	•
•	•	•
B (data channel)	21	S0:20
B (data channel)	22	S0:21
B (data channel)	23	S0:22
Ⓚ (signaling channel)	24	S0:23

Logical contents of a PRI interface

S6487

The software assumed that the 24th (or 16th for E1) slot in the controller is reserved for D-channel signaling. However, in environments that require SS7-enabled Voice over IP (VoIP) configurations, some applications needed to share all time slots in a PRI group but were not allowed to use the 24th (or 16th) time slot. The Asynchronous Line Monitoring feature Cisco IOS Release 12.2(8)B feature, and specifically, the **rlm-group** subkeyword introduced in the **pri-group timeslots** controller configuration command as part of this feature, *releases* the signaling time slots, thereby supporting SS7 applications in VoIP configurations.

ISDN Commands Supported by Asynchronous Line Monitoring feature

The following ISDN commands are supported on the D-channel interface to configure ISDN data in SS7-enabled VoIP environments. Refer to the [Cisco IOS Dial Technologies Command Reference](#), for full command syntax and usage guidelines.

isdn answer	isdn outgoing-voice info-transfer-capability
isdn bchan-number-order	isdn progress-instead-of-alerting
isdn block-progress	isdn reject
isdn busy	isdn send-alerting
isdn caller	isdn sending-complete
isdn disconnect-cause	isdn send-status-enquiry
isdn early-tdm-connection	isdn service
isdn guard-timer	isdn skip-analog-callerid-check
isdn incoming progress	isdn t203
isdn incoming-voice	isdn t300S
isdn k	isdn t303
isdn map	isdn t306

<code>isdn max-restart-tries</code>	<code>isdn t307</code>
<code>isdn n200</code>	<code>isdn t309</code>
<code>isdn negotiate-bchan</code>	<code>isdn t309-enable</code>
<code>isdn network-failure-cause</code>	<code>isdn t310</code>
<code>isdn not-end-to-end</code>	<code>isdn t321</code>

The D-Channel Interface and Cisco SS7 Interconnect for Voice Gateways

A new interface, D-channel, is introduced with the Asynchronous Line Monitoring feature for use specifically in VoIP applications, such as an SS7 Interconnect Voice Gateway that requires release of ISDN signaling time slots for RLM configurations.

A Cisco SLT is a key component of the Cisco SS7 Interconnect for Voice Gateways feature. In the Cisco SS7 Interconnect for Voice Gateways environment, the D channel will be on Ethernet, and the time slots on an E1 and T1 controller can be shared by other applications such as SS7.

How to Configure Asynchronous Line Monitoring feature

This section contains the following tasks. Each task is identified as either required or optional.

- [Release the PRI Signaling Time Slot, page 622](#) (required)
- [Verify Asynchronous Line Monitoring feature, page 624](#) (optional)

Release the PRI Signaling Time Slot

To release the ISDN PRI signaling time slot for environments that require SS7-enabled VoIP applications to share all available time slots in a PRI group, use the following commands:

SUMMARY STEPS

1. `enable`
2. `configure {terminal | memory | network}`
3. `controller {t1 | e1} controller-number`
4. `pri-group timeslots timeslot-range [nfas_d {backup | none | primary {nfas_int number | nfas_group number | rlm-group number}}] | service]`
5. `channel-group channel-number timeslots range [speed {48 | 56 | 64}]`
6. `exit`
7. `interface Dchannel interface-number`
8. `isdn command parameter` (use the commands listed in [ISDN Commands Supported by Asynchronous Line Monitoring feature, page 621](#) to configure the ISDN interface)
9. `exit`

DETAILED STEPS

	Command or Action	Purpose
Step 1	<p>enable</p> <p>Example: Router> enable</p>	<p>Enables higher privilege levels, such as privileged EXEC mode.</p> <ul style="list-style-type: none"> Enter your password if prompted.
Step 2	<p>configure terminal</p> <p>Example: Router# configure terminal</p>	<p>Enters global configuration mode.</p>
Step 3	<p>controller {t1 e1} <i>controller-number</i></p> <p>Example: Router(config)# controller t1 1</p>	<p>Configures a T1 or E1 controller and enters controller configuration mode.</p>
Step 4	<p>pri-group timeslots <i>timeslot-range</i> [nfas_d {backup none primary {nfas_int <i>number</i> nfas_group <i>number</i> rlm-group <i>number</i>}} service]</p> <p>Example: Router(config-controller)# pri-group timeslots 1-3 nfas_d primary nfas_int 0 nfas_group 0 rlm-group 1</p>	<p>Specifies an ISDN PRI group on a channelized T1 or E1 controller.</p> <p>The nfas_d keyword has the following options:</p> <ul style="list-style-type: none"> backup—The D-channel time slot is used as the Non-Facility Associated Signaling (NFAS) D-channel backup. none—The D-channel time slot is used as an additional B channel. primary—The D-channel time slot is used as the NFAS D primary. <p>The primary keyword requires further interface and group configuration:</p> <ul style="list-style-type: none"> nfas_int <i>number</i>—Specify the provisioned NFAS interface as a value; value is a number from 0 to 8. nfas_group <i>number</i>—Specify the NFAS group number. rlm-group <i>number</i>—Specify the RLM group and release the ISDN PRI signaling channel.
Step 5	<p>channel-group <i>channel-number</i> timeslots <i>range</i> [speed {48 56 64}]</p> <p>Example: Router(config-controller)# channel-group 23 timeslots 24</p>	<p>Defines the time slot or range of time slots that belong to each T1 or E1 circuit.</p>
Step 6	<p>exit</p> <p>Example: Router(config-controller)# exit</p>	<p>Returns to global configuration mode.</p>

	Command or Action	Purpose
Step 7	<code>interface Dchannel1 interface-number</code> Example: Router(config)# interface Dchannel 1	Configures the D-channel interface and enters interface configuration mode.
Step 8	<code>isdn command parameter</code> Example: Router(config-if)# isdn T309 4000	Configures ISDN parameters on the interface.
Step 9	<code>exit</code> Example: Router(config-if)# exit	Returns to global configuration mode.

Verify Asynchronous Line Monitoring feature

To verify that the Asynchronous Line Monitoring feature feature is working, perform the following optional steps:

SUMMARY STEPS

1. `enable`
2. `show isdn status`

DETAILED STEPS

	Command or Action	Purpose
Step 1	<code>enable</code> Example: Router> enable	Enables higher privilege levels, such as privileged EXEC mode. <ul style="list-style-type: none"> • Enter your password if prompted.
Step 2	<code>show isdn status</code> Example: Router# show isdn status	(Optional) Displays status of the ISDN interface. <ul style="list-style-type: none"> • Look for the report about D-channel and RLM group status.

Troubleshooting Tips

Use the commands described in [Table 1](#) to troubleshoot the Asynchronous Line Monitoring feature.

Table 1 *Asynchronous Line Monitoring feature Verification and Troubleshooting Commands*

Command	Report
<code>debug isdn event</code>	ISDN events occurring on the user (local router) side of the ISDN interface.
<code>debug isdn q921</code>	Data link layer (ISDN Layer 2) access procedures taking place at the router on the D channel.
<code>debug isdn q931</code>	Information about call setup and teardown of network (ISDN Layer 3) connections between the user (local router) side and the network.

Configuration Examples for Asynchronous Line Monitoring feature

This section provides the following configuration examples to match the configuration tasks in the previous sections:

- [SS7-Enabled VoIP PRI Shared T1 Configuration Example, page 625](#)
- [Verify Asynchronous Line Monitoring feature Example, page 625](#)

SS7-Enabled VoIP PRI Shared T1 Configuration Example

The following example shows how to release the ISDN PRI signaling time slot for RLM configurations on a shared T1 link:

```

controller T1 1
  pri-group time slots 1-3 nfas_d primary nfas_int 0 nfas_group 0 rlm-group 0
  channel group 23 timeslot 24
  exit

! New Dchannel interface is created for configuration of ISDN parameters:
interface Dchannel1
  isdn T309 4000
  exit

```

Verify Asynchronous Line Monitoring feature Example

The following example output from the `show isdn status` EXEC command includes a report about D-channel and RLM group status:

```
Router# show isdn status
```

```

Global ISDN Switchtype = primary-ni
ISDN Dchannel0 interface  rlm-group = 1
  Transport Link Status:
  ACTIVE
  dsl 0, interface ISDN Switchtype = primary-ni : Primary D channel of nfas group 0
  Layer 1 Status:

```

```

DEACTIVATED
Layer 2 Status:
TEI = 0, Ces = 1, SAPI = 0, State = MULTIPLE_FRAME_ESTABLISHED
Layer 3 Status:
0 Active Layer 3 Call(s)
Active dsl 0 CCBS = 0
The Free Channel Mask: 0x80000000
Number of L2 Discards = 0, L2 Session ID = 43
ISDN Dchannel1 interface
Transport Link Status : Not Applicable
dsl 1, interface ISDN Switchtype = primary-ni : Group member of nfas group 0
Layer 1 Status:
DEACTIVATED
Layer 2 Status: Not Applicable
Layer 3 Status:
0 Active Layer 3 Call(s)
Active dsl 1 CCBS = 0
The Free Channel Mask: 0x80000000
Number of L2 Discards = 0, L2 Session ID = 0
ISDN Serial2:15 interface
dsl 2, interface ISDN Switchtype = primary-ni : Primary D channel of nfas group 1
Layer 1 Status:
DEACTIVATED
Layer 2 Status:
TEI = 0, Ces = 1, SAPI = 0, State = TEI_ASSIGNED
Layer 3 Status:
0 Active Layer 3 Call(s)
Active dsl 2 CCBS = 0
The Free Channel Mask: 0x0
Number of L2 Discards = 0, L2 Session ID = 0
ISDN Serial3:15 interface
dsl 3, interface ISDN Switchtype = primary-ni : Group member of nfas group 1
Layer 1 Status:
ACTIVATING
Layer 2 Status: Not Applicable
Layer 3 Status:
0 Active Layer 3 Call(s)
Active dsl 3 CCBS = 0
The Free Channel Mask: 0x0
Number of L2 Discards = 0, L2 Session ID = 0
Total Allocated ISDN CCBS = 0

```

Additional References

For additional information related to Asynchronous Line Monitoring feature, refer to the following references:

- [Related Documents, page 627](#)
- [Standards, page 627](#)
- [MIBs, page 627](#)
- [RFCs, page 628](#)
- [Technical Assistance, page 628](#)

Related Documents

Related Topic	Document Title
Dial ISDN commands	<i>Cisco IOS Dial Technologies Command Reference</i>
ISDN PRI	<i>Cisco IOS Dial Technologies Configuration Guide</i> ; refer to “Configuring ISDN PRI” in the “Signaling Configuration” part

Standards

Standards	Title
None	—

MIBs

MIBs	MIBs Link
None	To obtain lists of supported MIBs by platform and Cisco IOS release, and to download MIB modules, go to the Cisco MIB website on Cisco.com at the following URL: http://www.cisco.com/public/sw-center/netmgmt/cmtk/mibs.shtml

To locate and download MIBs for selected platforms, Cisco IOS releases, and feature sets, use Cisco MIB Locator found at the following URL:

<http://tools.cisco.com/ITDIT/MIBS/servlet/index>

If Cisco MIB Locator does not support the MIB information that you need, you can also obtain a list of supported MIBs and download MIBs from the Cisco MIBs page at the following URL:

<http://www.cisco.com/public/sw-center/netmgmt/cmtk/mibs.shtml>

To access Cisco MIB Locator, you must have an account on Cisco.com. If you have forgotten or lost your account information, send a blank e-mail to cco-locksmith@cisco.com. An automatic check will verify that your e-mail address is registered with Cisco.com. If the check is successful, account details with a new random password will be e-mailed to you. Qualified users can establish an account on Cisco.com by following the directions found at this URL:

<http://www.cisco.com/register>

RFCs

RFCs	Title
None	—

Technical Assistance

Description	Link
<p>The Cisco Support website provides extensive online resources, including documentation and tools for troubleshooting and resolving technical issues with Cisco products and technologies.</p> <p>To receive security and technical information about your products, you can subscribe to various services, such as the Product Alert Tool (accessed from Field Notices), the Cisco Technical Services Newsletter, and Really Simple Syndication (RSS) Feeds.</p> <p>Access to most tools on the Cisco Support website requires a Cisco.com user ID and password.</p>	http://www.cisco.com/techsupport

Command Reference

The following commands are introduced or modified in the feature or features documented in this module. For information about these commands, see the *Cisco IOS Dial Technologies Command Reference* at http://www.cisco.com/en/US/docs/ios/dial/command/reference/dia_book.html. For information about all Cisco IOS commands, go to the Command Lookup Tool at <http://tools.cisco.com/Support/CLILookup> or to the *Cisco IOS Master Commands List*.

New Command

- interface Dchannel

Modified Commands

- pri-group timeslots
- show isdn

Cisco and the Cisco Logo are trademarks of Cisco Systems, Inc. and/or its affiliates in the U.S. and other countries. A listing of Cisco's trademarks can be found at www.cisco.com/go/trademarks. Third party trademarks mentioned are the property of their respective owners. The use of the word partner does not imply a partnership relationship between Cisco and any other company. (1005R)

Any Internet Protocol (IP) addresses used in this document are not intended to be actual addresses. Any examples, command display output, and figures included in the document are shown for illustrative purposes only. Any use of actual IP addresses in illustrative content is unintentional and coincidental.

© 2007-2008 Cisco Systems, Inc. All rights reserved.



Configuring ISDN Special Signaling

This chapter describes features that either depend on special signaling services offered by an ISDN network service provider or overcome an inability to deliver certain signals. It describes these features in the following main sections:

- [How to Configure ISDN Special Signaling](#)
- [Troubleshooting ISDN Special Signaling](#)
- [Configuration Examples for ISDN Special Signaling](#)

For an overview of ISDN PRI, see the section “ISDN Service” in the “Overview of Dial Interfaces, Controllers, and Lines” chapter, and the section “ISDN Overview” in the [Configuring ISDN BRI](#) chapter.

To identify the hardware platform or software image information associated with a feature, use the Feature Navigator on Cisco.com to search for information about the feature or refer to the software release notes for a specific release. For more information, see the “Identifying Supported Platforms” section in the “Using Cisco IOS Software” chapter.

For a complete description of the ISDN signaling commands in this chapter, refer to the *Cisco IOS Dial Technologies Command Reference*. To locate documentation of other commands that appear in this chapter, use the command reference master index or search online.

How to Configure ISDN Special Signaling

To configure special signaling features of ISDN, perform the tasks in the following sections; all tasks are optional:

- [Configuring ISDN AOC](#) (Optional)
- [Configuring NFAS on PRI Groups](#) (Optional)
- [Enabling an ISDN PRI to Take PIAFS Calls on MICA Modems](#) (Optional)
- [Configuring Automatic Detection of Encapsulation Type](#) (Optional)
- [Configuring Encapsulation for Combinet Compatibility](#) (Optional)

See the section “[Configuration Examples for ISDN Special Signaling](#)” at the end of this chapter for examples of these signaling features. See the “[Troubleshooting ISDN Special Signaling](#)” section later in this chapter for help in troubleshooting ISDN signaling features.



Configuring ISDN AOC

ISDN Advice of Charge (AOC) allows users to obtain charging information for all calls during the call (AOC-D) or at the end of the call (AOC-E) or both.

Users must have subscribed through their local ISDN network to receive the AOC information from the switch. No router configuration changes are required to retrieve this call charging information.

The ISDN AOC feature also supports, for the AOC-D service, an optional configurable short-hold mode that provides a dynamic idle timeout by measuring the call charging period, based on the frequency of the AOC-D or the AOC-E message from the network. The short-hold mode allows users to track call costs and to control and possibly reduce tariff charges. The short-hold mode idle time will do the following:

- Disconnect a call just before the beginning of a new charging period if the call has been idle for at least the configured minimum idle time.
- Maintain the call to the end of the current charging period past the configured idle timeout if the time left in the charging period is longer.

Incoming calls are disconnected using the static dialer idle timeout value.

The AOC-D and AOC-E messages are part of the Facility Information Element (IE) message. Its contents can be verified with the **debug q931** command. Call accounting information from AOC-D and AOC-E messages is stored in Simple Network Management Protocol (SNMP) MIB objects.

ISDN AOC is provided for ISDN PRI NET5 and ISDN BRI NET3 switch types only. AOC information at call setup is not supported.

Configuring Short-Hold Mode

No configuration is required to enable ISDN AOC. However, you can configure the optional short-hold minimum idle timeout period for outgoing calls; the default minimum idle timeout is 120 seconds. If the short-hold option is not configured, the router default is to use the static dialer idle timeout. If the short-hold idle timeout has been configured but no charging information is available from the network, the static dialer idle timeout applies.

To configure an ISDN interface and provide the AOC short-hold mode option on an ISDN interface, perform the following steps:

-
- Step 1** Configure the ISDN BRI or PRI interface, as described in the chapter [Configuring ISDN BRI](#) or the section “How to Configure ISDN PRI” in the chapter “Configuring ISDN PRI” later in this publication, using the relevant keyword in the **isdn switch-type** command:
- BRI interface—**basic-net3**
 - PRI interface—**primary-net5**
- Step 2** Configure dialer profiles or legacy dial-on-demand routing (DDR) for outgoing calls, as described in the chapters in the “Dial-on-Demand Routing” part of this publication, making sure to do the following:
- Configure the static line-idle timeout to be used for incoming calls.
 - For each destination, use the **dialer map** command with the **class** keyword (legacy DDR) or a **dialer string class** command (dialer profiles) to identify the dialer map class to be used for outgoing calls to the destination.
- Step 3** Configure each specified dialer map class, providing a dialer idle timeout, or ISDN short-hold timeout, or both for outgoing calls, as described in this chapter.

To configure a dialer map class with timers, use the following commands beginning in global configuration mode:

	Command	Purpose
Step 1	Router(config)# map-class dialer <i>classname</i>	Specifies the dialer map class and begins map class configuration mode.
Step 2	Router(config-map-class)# dialer idle-timeout <i>seconds</i>	(Optional) Specifies a static idle timeout for the map class to override the static line-idle timeout configured on the BRI interface.
Step 3	Router(config-map-class)# dialer isdn short-hold <i>seconds</i>	Specifies a dialer ISDN short-hold timeout for the map class.

Monitoring ISDN AOC Call Information

To monitor ISDN AOC call information, use the following command in EXEC mode:

Command	Purpose
Router> show isdn { active [dsl serial-number] history [dsl serial-number] memory nfas group <i>group-number</i> service [dsl serial-number] status [dsl serial-number] timers [dsl serial-number]}	Displays information about active calls, call history, memory, nfes group, service or status of PRI channels, or Layer 2 or Layer 3 timers. The history keyword displays AOC charging time units used during the call and indicates whether the AOC information is provided during calls or at the end of calls. (The service keyword is available for PRI only.)

Configuring NFAS on PRI Groups

ISDN Non-Facility Associated Signaling (NFAS) allows a single D channel to control multiple PRI interfaces. A backup D channel can also be configured for use when the primary NFAS D channel fails.

Use of a single D channel to control multiple PRI interfaces can free one B channel on each interface to carry other traffic.

Any hard failure causes a switchover to the backup D channel and currently connected calls remain connected.

Once the channelized T1 controllers are configured for ISDN PRI, only the NFAS primary D channel must be configured; its configuration is distributed to all the members of the associated NFAS group.

ISDN NFAS Prerequisites

NFAS is only supported with a channelized T1 controller. [Table 1](#) shows the Cisco IOS keywords for the ISDN switch types and lists whether NFAS is supported.

Table 1 ISDN Switch Types and NFAS Support

Switch Type	Keyword	NFAS Support
Lucent 4ESS Custom NFAS	primary-4ess	Yes
Lucent 5ESS Custom NFAS	primary-5ess	No (use National)
Nortel DMS Custom NFAS	primary-dms	Yes
NTT Custom NFAS	primary-ntt	Yes
National	primary-ni	Yes
Other switch types	—	No (use National)



Note

On the Nortel (Northern Telecom) DMS-100 switch, when a single D channel is shared, multiple PRI interfaces may be configured in a single trunk group. The additional use of alternate route indexing, which is a feature of the DMS-100 switch, provides a rotary from one trunk group to another. This feature enables the capability of building large trunk groups in a public switched network.

The ISDN switch must be provisioned for NFAS. The primary and backup D channels should be configured on separate T1 controllers. The primary, backup, and B-channel members on the respective controllers should be the same as that configured on the router and ISDN switch. The interface ID assigned to the controllers must match that of the ISDN switch.

ISDN NFAS Configuration Task List

To configure NFAS on channelized T1 controllers configured for ISDN, perform the tasks in the following section: [Configuring NFAS on PRI Groups](#) (required).

You can also disable a channel or interface, if necessary, and monitor NFAS groups and ISDN service. To do so, perform the tasks in the following sections:

- [Configuring NTT PRI NFAS](#) (Optional)
- [Disabling a Channel or Interface](#) (Optional)
- [Monitoring NFAS Groups](#) (Optional)
- [Monitoring ISDN Service](#) (Optional)

See the section “[NFAS Primary and Backup D Channels](#)” later in this chapter for ISDN, NFAS, and DDR configuration examples.

Configuring NFAS on PRI Groups

This section documents tasks used to configure NFAS with D channel backup. When configuring NFAS, you use an extended version of the ISDN **pri-group** command to specify the following values for the associated channelized T1 controllers configured for ISDN:

- The range of PRI time slots to be under the control of the D channel (time slot 24).

- The function to be performed by time slot 24 (primary D channel, backup, or none); the latter specifies its use as a B channel.
- The group identifier number for the interface under control of the D channel.

To configure ISDN NFAS, use the following commands in controller configuration mode:

	Command	Purpose
Step 1	<code>Router(config-controller)# pri-group timeslots 1-24 nfas_d primary nfas_interface number nfas_group number</code>	On one channelized T1 controller, configures the NFAS primary D channel.
Step 2	<code>Router(config-controller)# pri-group timeslots 1-24 nfas_d backup nfas_interface number nfas_group number</code>	On a different channelized T1 controller, configures the NFAS backup D channel to be used if the primary D channel fails.
Step 3	<code>Router(config-controller)# pri-group timeslots 1-24 nfas_d none nfas_interface number nfas_group number</code>	(Optional) On other channelized T1 controllers, configures a 24-B-channel interface, if desired.

For an example of configuring three T1 controllers for the NFAS primary D channel, the backup D channel, and 24 B channels, along with the DDR configuration for the PRI interface, see the section “[NFAS Primary and Backup D Channels](#)” at the end of this chapter.

When a backup NFAS D channel is configured and the primary NFAS D channel fails, rollover to the backup D channel is automatic and all connected calls stay connected.

If the primary NFAS D channel recovers, the backup NFAS D channel remains active and does not switch over again unless the backup NFAS D channel fails.

Configuring NTT PRI NFAS

Addition of the NTT switch type to the NFAS feature allows its use in geographic areas where NTT switches are available. This feature provides use of a single D channel to control multiple PRI interfaces, and can free one B channel on each interface to carry other traffic.

To configure NTT PRI NFAS, use the procedure described in the “[Configuring NFAS on PRI Groups](#)” section. Specify a **primary-ntt** switch type.



Note

You cannot configure a backup D channel for the NTT PRI NFAS feature; it does not support D channel backup.

Verifying NTT PRI NFAS

- Step 1** Enter the **show isdn status** command to learn whether the ISDN PRI switch type was configured correctly:
- ```
Router# show isdn status serial 0:23
```
- ```
Global ISDN Switchtype = primary-ntt
ISDN Serial0:23 interface
```
- Step 2** Enter the **show isdn nfas group** command to display information about members of an NFAS group:
- ```
Router# show isdn nfas group 1
```
- ```
ISDN NFAS GROUP 1 ENTRIES:
```

The primary D is Serial1/0:23.
The NFAS member is Serial2/0:23.

There are 3 total nfas members.
There are 93 total available B channels.
The primary D-channel is DSL 0 in state INITIALIZED.
The current active layer 2 DSL is 0.

Step 3 Enter the **show isdn service** command to display information about ISDN channels and the service states:

```
Router# show isdn service

PRI Channel Statistics:

ISDN Se1/0:23, Channel (1-24)
  Configured Isdn Interface (dsl) 0
  State (0=Idle 1=Propose 2=Busy 3=Reserved 4=Restart 5=Maint)
  0 0 0 0 0 0 0 0 0 0 0 0 0 0 0 0 0 0 0 0 0 0 0 0 0 0 0 3
  Channel (1-24) Service (0=Inservice 1=Maint 2=Outofservice)
  0 0 0 0 0 0 0 0 0 0 0 0 0 0 0 0 0 0 0 0 0 0 0 0 0 0 0 0

ISDN Se1/1:23, Channel (1-24)
  Configured Isdn Interface (dsl) 1
  State (0=Idle 1=Propose 2=Busy 3=Reserved 4=Restart 5=Maint)
  0 0 0 0 0 0 0 0 0 0 0 0 0 0 0 0 0 0 0 0 0 0 0 0 0 0 0 0
  Channel (1-24) Service (0=Inservice 1=Maint 2=Outofservice)
  0 0 0 0 0 0 0 0 0 0 0 0 0 0 0 0 0 0 0 0 0 0 0 0 0 0 0 0

ISDN Se2/0:23, Channel (1-24)
  Configured Isdn Interface (dsl) 2
  State (0=Idle 1=Propose 2=Busy 3=Reserved 4=Restart 5=Maint)
  0 0 0 0 0 0 0 0 0 0 0 0 0 0 0 0 0 0 0 0 0 0 0 0 0 0 0 0
  Channel (1-24) Service (0=Inservice 1=Maint 2=Outofservice)
  0 0 0 0 0 0 0 0 0 0 0 0 0 0 0 0 0 0 0 0 0 0 0 0 0 0 0 0
```

Disabling a Channel or Interface

You can disable a specified channel or an entire PRI interface, thus taking it out of service or placing it into one of the other states that is passed in to the switch. To disable a specific channel or PRI interface, use one of the following commands in interface configuration mode as appropriate for your network:

Command	Purpose
Router(config-if)# isdn service dsl <i>number</i> b_channel <i>number</i> state <i>state-value</i>	Takes an individual B channel out of service or sets it to a different state.
Router(config-if)# isdn service dsl <i>number</i> b_channel 0 state <i>state-value</i>	Sets the entire PRI to the specified state.

The supported *state-values* are as follows:

- 0—In service
- 1—Maintenance
- 2—Out of service

When the T1 Controller Is Shut Down

In the event that a controller belonging to an NFAS group is shut down, all active B-channel calls on the controller that is shut down will be cleared (regardless of whether the controller is set to be primary, backup, or none), and one of the following events will occur:

- If the controller that is shut down is configured as the primary and no backup is configured, all active calls on the group are cleared.
- If the controller that is shut down is configured as the primary, and the active (In service) D channel is the primary and a backup is configured, then the active D channel changes to the backup controller.
- If the controller that is shut down is configured as the primary, and the active D channel is the backup, then the active D channel remains as backup controller.
- If the controller that is shut down is configured as the backup, and the active D channel is the backup, then the active D channel changes to the primary controller.



Note

The active D channel changeover between primary and backup controllers happens only when one of the link fails and not when the link comes up. The T309 timer is triggered when the changeover takes place.

Monitoring NFAS Groups

To monitor NFAS groups, use the following command in EXEC mode:

Command	Purpose
Router> <code>show isdn nfas group number</code>	Displays information about members of an NFAS group.

Monitoring ISDN Service

To display information about ISDN channel service states, use the following command in EXEC mode:

Command	Purpose
Router> <code>show isdn service</code>	Displays information about ISDN channels and the service states.

Enabling an ISDN PRI to Take PIAFS Calls on MICA Modems

The Personal-Handyphone-System Internet Access Forum Standard (PIAFS) specifications describe a transmission system that uses the PHS 64000 bps/32000 bps unrestricted digital bearer on the Cisco AS5300 universal access server platform.

The PIAFS TA (terminal adapter) module is like a modem or a V.110 module in the following ways:

- Ports will be a pool of resources.
- Calls will use the same call setup Q.931 message.
- Module supports a subset of common AT commands.
- Call setup and teardown are similar.

However, the rate negotiation information will be part of the bearer cap and not the lower-layer compatibility. PIAFS calls will have the user rate as 32000 and 64000; this will be used to distinguish a PIAFS call from a V.110 call. Also, PIAFS will use only up to octets 5a in a call setup message. The data format will default to 8N1 for PIAFS calls.

To configure ISDN PRI to take PIAFS call on MICA modems, use the following commands beginning in global configuration mode:

	Command	Purpose
Step 1	Router(config)# interface serial <i>controller:channel</i>	Enters interface configuration mode for a D-channel serial interface.
Step 2	Router(config-if)# isdn pias-enabled	Enables the PRI to take PIAFS calls on MICA modems.
Step 3	Router(config-if)# exit	Exits interface configuration mode.

Verifying PIAFS

Step 1 Enter the **show modem operational-status slot/port** command to view PIAFS call information.

```
Router# show modem op 1/32

Mdm Typ Status Tx/Rx G Duration RTS CTS DCD DTR
1/32 ISDN Conn 64000/64000 0 1d01h x x x x

Modem 1/32, Mica Hex Modem (Managed), Async33, tty33
Firmware Rev: 8.2.0.c
Modem config: Incoming and Outgoing
→ Protocol: PIAFS, Compression: V.42bis both

Management config: Status polling
RX signals: 0 dBm

Last clearing of "show modem" counters never
2 incoming completes, 0 incoming failures
0 outgoing completes, 0 outgoing failures
0 failed dial attempts, 0 ring no answers, 0 busied outs
0 no dial tones, 0 dial timeouts, 0 watchdog timeouts
0 no carriers, 0 link failures, 0 resets, 0 recover oob
0 recover modem, 0 current fail count
0 protocol timeouts, 0 protocol errors, 0 lost events
0 ready poll timeouts
```

Configuring Automatic Detection of Encapsulation Type

You can enable a serial or ISDN interface to accept calls and dynamically change the encapsulation in effect on the interface when the remote device does not signal the call type. For example, if an ISDN call does not identify the call type in the lower-layer compatibility fields and is using an encapsulation that is different from the one configured on the interface, the interface can change its encapsulation type dynamically.

This feature enables interoperability with ISDN terminal adapters that use V.120 encapsulation but do not signal V.120 in the call setup message. An ISDN interface that by default answers a call as synchronous serial with PPP encapsulation can change its encapsulation and answer such calls.

Automatic detection is attempted for the first 10 seconds after the link is established or the first 5 packets exchanged over the link, whichever is first.

To enable automatic detection of encapsulation type, use the following command in interface configuration mode:

Command	Purpose
<code>Router(config-if)# autodetect encapsulation encapsulation-type</code>	Enables automatic detection of encapsulation type on the specified interface.

You can specify one or more encapsulations to detect. Cisco IOS software currently supports automatic detection of PPP and V.120 encapsulations.

Configuring Encapsulation for Combinet Compatibility

Historically, Combinet devices supported only the Combinet Proprietary Protocol (CPP) for negotiating connections over ISDN B channels. To enable Cisco routers to communicate with those Combinet bridges, the Cisco IOS supports a the CPP encapsulation type.

To enable routers to communicate over ISDN interfaces with Combinet bridges that support only CPP, use the following commands in interface configuration mode:

	Command	Purpose
Step 1	<code>Router(config-if)# encapsulation cpp</code>	Specifies CPP encapsulation.
Step 2	<code>Router(config-if)# cpp callback accept</code>	Enables CPP callback acceptance.
Step 3	<code>Router(config-if)# cpp authentication</code>	Enables CPP authentication.

Most Combinet devices support PPP. Cisco routers can communicate over ISDN with these devices by using PPP encapsulation, which supports both routing and fast switching.

Cisco 700 and 800 series routers and bridges (formerly Combinet devices) support only IP, Internet Protocol Exchange (IPX), and bridging. For AppleTalk, Cisco routers automatically perform half-bridging with Combinet devices. For more information about half-bridging, see the section “Configuring PPP Half-Bridging” in the chapter “Configuring Media-Independent PPP and Multilink PPP” later in this publication.

Cisco routers can also half-bridge IP and IPX with Combinet devices that support only CPP. To configure this feature, you only need to set up the addressing with the ISDN interface as part of the remote subnet; no additional commands are required.

Troubleshooting ISDN Special Signaling

To troubleshoot ISDN, use the following commands in EXEC mode as needed:

Command	Purpose
Router# <code>debug dialer</code>	Displays the values of timers.
Router# <code>debug isdn q921 [interface bri number]</code> or Router# <code>debug isdn q921 interface serial slot/controller-number:23</code>	Displays link layer information for all interfaces or, optionally, for a single BRI interface. Displays link layer information for a single PRI interface.
Router# <code>debug isdn q931 [interface bri number]</code> or Router# <code>debug isdn q931 interface serial slot/controller-number:23</code>	Displays the content of call control messages and information elements, in particular the Facility IE message for all interfaces or, optionally, for a single BRI interface. Displays the content of call control messages and information elements, in particular the Facility IE message for a single PRI interface.

Configuration Examples for ISDN Special Signaling

This section provides the following configuration examples:

- [ISDN AOC Configuration Examples](#)
- [ISDN NFAS Configuration Examples](#)

ISDN AOC Configuration Examples

This section provides the following ISDN AOC configuration examples:

- [Using Legacy DDR for ISDN PRI AOC Configuration](#)
- [Using Dialer Profiles for ISDN BRI AOC Configuration](#)

Using Legacy DDR for ISDN PRI AOC Configuration

This example shows ISDN PRI configured on an E1 controller. Legacy DDR is configured on the ISDN D channel (serial interface 0:15) and propagates to all ISDN B channels. A static dialer idle-timeout is configured for all incoming calls on the B channels, but the map classes are configured independently of it. Map classes Kappa and Beta use AOC charging unit duration to calculate the timeout for the call. A short-hold idle timer is set so that if the line is idle for 10 or more seconds, the call is disconnected when the current charging period ends. Map class Iota uses a static idle timeout.

```
version 11.2
service timestamps debug datetime msec
service timestamps log datetime msec
!
hostname A
!
username c2503isdn password 7 1511021F0725
username B password 7 110A1016141D29
username C password 7 1511021F072508
isdn switch-type primary-net5
!
controller E1 0
```



```

pri-group timeslots 1-31
!
interface Serial 0:15
 ip address 10.0.0.35 255.0.0.0
 encapsulation ppp
 dialer idle-timeout 150
 dialer map ip 10.0.0.33 name c2503isdn class Iota 06966600050
 dialer map ip 10.0.0.40 name B class Beta 778578
 dialer map ip 10.0.0.45 name C class Kappa 778579
 dialer-group 1
 ppp authentication chap
!
map-class dialer Kappa
 dialer idle-timeout 300
 dialer isdn short-hold 120
!
map-class dialer Iota
 dialer idle-timeout 300
!
map-class dialer Beta
 dialer idle-timeout 300
 dialer isdn short-hold 90
!
dialer-list 1 protocol ip permit

```

Using Dialer Profiles for ISDN BRI AOC Configuration

This example shows ISDN BRI configured as a member of two dialer pools for dialer profiles.

```

version 11.2
service timestamps debug datetime msec
service timestamps log datetime msec
!
hostname delorean
!
username spanky password 7 0705344245
username delorean password 7 1511021F0725
isdn switch-type basic-net3
!
interface BRI0
 description Connected to NTT 81012345678901
 no ip address
 dialer pool-member 1 max-link 1
 dialer pool-member 2 max-link
 encapsulation ppp
 no fair-queue
!
interface Dialer1
 ip address 10.1.1.8 255.255.255.0
 encapsulation ppp
 dialer remote-name spanky
 dialer string 81012345678902 class Omega
 dialer pool 1
 dialer-group 1
 ppp authentication chap
!
interface Dialer2
 ip address 10.1.1.8 255.255.255.0
 encapsulation ppp
 dialer remote-name dmsisdn
 dialer string 81012345678902 class Omega
 dialer string 14153909503 class Gamma
 dialer pool 2

```

```

dialer-group 1
  ppp authentication chap
!
map-class dialer Omega
  dialer idle-timeout 60
  dialer isdn short-hold 150
!
map-class dialer Gamma
  dialer isdn short-hold 60
!
dialer-list 1 protocol ip permit

```

ISDN NFAS Configuration Examples

This section provides the following configuration examples:

- [NFAS Primary and Backup D Channels](#)
- [PRI Interface Service State](#)
- [NTT PRI NFAS Primary D Channel Example](#)

NFAS Primary and Backup D Channels

The following example configures ISDN PRI and NFAS on three T1 controllers of a Cisco 7500 series router. The NFAS primary D channel is configured on the 1/0 controller, and the NFAS backup D channel is configured on the 1/1 controller. No NFAS D channel is configured on the 2/0 controller; it is configured for 24 B channels. Once the NFAS primary D channel is configured, it is the only interface you see and need to configure; DDR configuration for the primary D channel—which is distributed to all B channels—is also included in this example.

```

isdn switch-type primary-4ess
!
! NFAS primary D channel on the channelized T1 controller in 1/0.
controller t1 1/0
  framing esf
  linecode b8zs
  pri-group timeslots 1-24 nfas_d primary nfas_interface 0 nfas_group 1
!
! NFAS backup D channel on the channelized T1 controller in 1/1.
controller t1 1/1
  framing esf
  linecode b8zs
  pri-group timeslots 1-24 nfas_d backup nfas_interface 1 nfas_group 1
!
! NFAS 24 B channels on the channelized T1 controller in 2/0.
controller t1 2/0
  framing esf
  linecode b8zs
  pri-group timeslots 1-24 nfas_d none nfas_interface 2 nfas_group 1
!
! NFAS primary D channel interface configuration for PPP and DDR. This
! configuration is distributed to all the B channels in NFAS group 1 on the
! three channelized T1 controllers.
!
interface Serial 1/0:23
  ip address 10.1.1.2 255.255.255.0
  no ip mroute-cache
  encapsulation ppp
  dialer map ip 10.1.1.1 name flyboy 567898

```

```
dialer map ip 10.1.1.3 name flyboy 101112345678
dialer map ip 10.1.1.4 name flyboy 01112345678
dialer-group 1
no fair-queue
no cdp enable
ppp authentication chap
```

PRI Interface Service State

The following example puts the entire PRI interface back in service after it previously had been taken out of service:

```
isdn service dsl 0 b-channel 0 state 0
```

NTT PRI NFAS Primary D Channel Example

The following example configures ISDN PRI and NFAS on three T1 controllers of a Cisco 7500 series router. The NFAS primary D channel is configured on the 1/0 controller. No NFAS D channel is configured on the 1/1 and 2/0 controllers; they are configured for 24 B channels. Once the NFAS primary D channel is configured, it is the only interface you see and need to configure. DDR configuration for the primary D channel—which is distributed to all B channels—is also included in this example.

```
isdn switch-type primary-ntt
!
! NFAS primary D channel on the channelized T1 controller in 1/0.
controller t1 1/0
 framing esf
linecode b8zs
 pri-group timeslots 1-24 nfas_d primary nfas_interface 0 nfas_group 1
!
! NFAS backup D channel on the channelized T1 controller in 1/1.
controller t1 1/1
 framing esf
linecode b8zs
 pri-group timeslots 1-24 nfas_d none nfas_interface 1 nfas_group 1
!
! NFAS 24 B channels on the channelized T1 controller in 2/0.
controller t1 2/0
 framing esf
linecode b8zs
 pri-group timeslots 1-24 nfas_d none nfas_interface 2 nfas_group 1
!
! NFAS primary D channel interface configuration for PPP and DDR. This
! configuration is distributed to all the B channels in NFAS group 1 on the
! three channelized T1 controllers.
!
interface Serial 1/0:23
 ip address 10.1.1.2 255.255.255.0
 no ip mroute-cache
 encapsulation ppp
 dialer map ip 10.1.1.1 name flyboy 567898
 dialer map ip 10.1.1.3 name flyboy 101112345678
 dialer map ip 10.1.1.4 name flyboy 01112345678
 dialer-group 1
 no fair-queue
 no cdp enable
 ppp authentication chap
```

Cisco and the Cisco Logo are trademarks of Cisco Systems, Inc. and/or its affiliates in the U.S. and other countries. A listing of Cisco's trademarks can be found at www.cisco.com/go/trademarks. Third party trademarks mentioned are the property of their respective owners. The use of the word partner does not imply a partnership relationship between Cisco and any other company. (1005R)

Any Internet Protocol (IP) addresses and phone numbers used in this document are not intended to be actual addresses and phone numbers. Any examples, command display output, network topology diagrams, and other figures included in the document are shown for illustrative purposes only. Any use of actual IP addresses or phone numbers in illustrative content is unintentional and coincidental.

© 2007-2009 Cisco Systems, Inc. All rights reserved.



Configuring Network Side ISDN PRI Signaling, Trunking, and Switching

This chapter describes the Network Side ISDN PRI Signaling, Trunking, and Switching feature. The following main sections are provided:

- [Network Side ISDN PRI Signaling Overview](#)
- [How to Configure Network Side ISDN PRI](#)
- [Configuration Examples for Network Side ISDN PRI Signaling, Trunking, and Switching](#)

For hardware technical descriptions and for information about installing the controllers and interfaces, refer to the hardware installation and maintenance publication for your particular product.

To identify the hardware platform or software image information associated with a feature, use the Feature Navigator on Cisco.com to search for information about the feature or refer to the software release notes for a specific release. For more information, see the “Identifying Supported Platforms” section in the “Using Cisco IOS Software” chapter.

For a complete description of the ISDN PRI commands in this chapter, refer to the [Cisco IOS Dial Technologies Command Reference](#). To locate documentation of other commands that appear in this chapter, use the command reference master index or search online.

Network Side ISDN PRI Signaling Overview

The Network Side ISDN PRI Signaling, Trunking, and Switching feature enables Cisco IOS software to replicate the public switched network interface to a PBX that is compatible with the National ISDN (NI) switch types and European Telecommunications Standards Institute (ETSI) Net5 switch types.

Routers and PBXs are both traditionally customer premises equipment (CPE) devices with respect to the public switched network interfaces. However, for Voice over IP (VoIP) applications, it is desirable to interface access servers to PBXs with the access server representing the public switched network.

Enterprise organizations use the current VoIP features with Cisco products as a method to reduce costs for long distance phone calls within and outside their organizations. However, there are times that a call cannot go over VoIP and the call needs to be placed using the Public Switched Telephone Network (PSTN). The customer then must have two devices connected to a PBX to allow some calls to be placed



using VoIP and some calls to be placed over the PSTN. In contrast, this feature allows Cisco access servers to connect directly to user-side CPE devices such as PBXs and allows voice calls and data calls to be placed without requiring two different devices to be connected to the PBXs.

The Network Side ISDN PRI Signaling, Trunking, and Switching feature provides the following benefits:

- Allows you to bypass PSTN tariffed services such as trunking and administration, thus extending the cost savings of VoIP.
- Allows your PBXs to be connected directly to a Cisco access server, so PBX station calls can be routed automatically to the IP network without the need for special IP telephones.
- Provides flexibility in network design.
- Enables you to block calls selectively based on the called number or the calling number.

Call Switching Using Dial Peers

Call switching using dial peers enables Cisco VoIP gateways to switch both voice and data calls between different interfaces based on the dial peer matching. An incoming call is matched against configured dial peers, and based on the configured called number, the outgoing interface is selected. Any call that arrives from an ISDN PRI network side on a supported platform is either terminated on the access server, switched to an IP network, or switched to the PSTN, depending on the configuration.



Note

An incoming call will be switched or processed as a voice call only if it matches a dial peer.

A dial peer is an addressable call endpoint identified, for example, by a phone number or a port number. In VoIP, there are two kinds of dial peers: plain old telephone service (POTS) and VoIP. Dial peers are defined from the perspective of the access server and are used for both inbound and outbound call legs. An *inbound* call leg originates outside the access server. An *outbound* call leg originates from the access server.

For inbound call legs, a dial peer might be associated with the calling number or the port designation. Outbound call legs always have a dial peer associated with them. The destination pattern (a defined initial part of a phone number) is used to identify the outbound dial peer. The call is associated with the outbound dial peer at setup time.

POTS dial peers associate a telephone number with a particular voice port so that incoming calls for that telephone number can be received and outgoing calls can be placed.

Additional information about dial peers can be found in the chapter “Configuring Dial Plans, Dial Peers, and Digit Manipulation” in the *Cisco IOS Voice, Video, and Fax Configuration Guide*, Release 12.2.

Trunk Group Resource Manager

The Trunk Group Resource Manager (TGRM) supports the logical grouping, configuration, and joint management of one or more PRI interfaces. The TGRM is used to store configuration information and to accept or select an interface from a trunk group when requested. A trunk group is provisioned as the target of a dial peer, and the TGRM transparently selects the specific PRI interface and channels to use for incoming or outgoing calls. Trunks are selected based on usage: The trunk that is least used is selected.

Using trunk groups simplifies the task of configuring dial peers and PRI interfaces, and also enables the dynamic selection of PRI interfaces as needed in the access server.

A trunk group can include any number of PRI interfaces, but all the interfaces in a trunk group must use the same type of signaling.

Class of Restrictions

The class of restrictions (COR) functionality provides the ability to deny certain call attempts based on the incoming and outgoing class of restrictions provisioned on the dial peers. This functionality provides flexibility in network design, allows users to block calls (for example, to 900 numbers), and applies different restrictions to call attempts from different originators.

COR is used to specify which incoming dial peer can use which outgoing dial peer to make a call. Each dial peer can be provisioned with an incoming and an outgoing COR list. The incoming COR list indicates the capability of the dial peer to initiate certain classes of calls. The outgoing COR list indicates the capability required for an incoming dial peer to deliver a call via this outgoing dial peer. If the capabilities of the incoming dial peer are not the same or a superset of the capabilities required by the outgoing dial peer, the call cannot be completed using this outgoing dial peer.

ISDN Disconnect Timers

A new disconnect timer, T306, has been added as part of the Internetworking Signaling Enhancements for H.323 and SIP VoIP feature. This timer allows in-band announcements and tones to be played before a call is disconnected. It is designed for routers that are configured as an ISDN network-side switch. The T306 timer starts when a router sends out a disconnect message with a progress indicator of 8. The voice path is cut-through in the backward direction, and the announcement or error tone is played until the timer expires. When the timer expires, the voice application disconnects the call. You can configure this timer by using the **isdn t306** command. The T306 timer is supported only on routers that are configured for network-side ISDN. The following switches support network-side ISDN:

- National ISDN
- NET3 BRI
- NET5
- QSIG

The T310 timer sets a limit for a call in the Call Proceeding state. The timer starts when the router receives a Call Proceeding message and stops when the call moves to another phase, typically Alerting, Connect, or Progress. If the timer expires while the call is in the Call Proceeding state, the router releases the call. You can configure this timer by using the **isdn t310** command.

How to Configure Network Side ISDN PRI

See the following sections for configuration tasks for the Network Side ISDN PRI Signaling, Trunking, and Switching feature. Each task is identified as required or optional.

- [Configuring ISDN Network Side](#) (Required)
- [Configuring Global or Interface Trunk Groups](#) (Optional)
- [Configuring Classes of Restrictions](#) (Optional)
- [Configuring ISDN T306 and T310 Timers](#) (Optional)

- [Verifying Network Side ISDN PRI Signaling, Trunking, and Switching](#) (Optional)

The sections “[Monitoring Network Side ISDN PRI](#)” and “[Monitoring TGRM](#)” list commands that you can use to monitor network side ISDN PRI signaling.

Configuring ISDN Network Side

Before you begin to configure the Network Side ISDN PRI Signaling, Trunking, and Switching feature, ensure that the selected access server is in the following condition:

- The T1 or E1 controllers are operational and configured for ISDN PRI.
- The D-channel interfaces are operational and configured for ISDN PRI.
- Each D-channel interface is configured with the **isdn incoming-voice modem** command.

For example, the selected PRI interfaces might have a configuration similar to the following:

```
interface Serial1/0/0:23
no ip address
no ip directed-broadcast
isdn switch-type primary-ni
isdn protocol-emulate network
isdn incoming-voice modem
no cdp enable
```

Also keep the following restrictions in mind as you configure network side ISDN PRI signaling, trunking, and switching:

- You can configure Cisco access server and access routers for either Network Side ISDN PRI for NI or Net5 switches.
- The trunking and COR parts of the Network Side ISDN PRI Signaling, Trunking, and Switching feature are available only on the Cisco AS5800 access server. In addition, call hairpinning without the need of a Voice Feature Card (and its digital signal processor) is available only on the Cisco AS5800 and Cisco AS5400. The remainder of the feature is platform-independent.
- The Cisco AS5800 and Cisco AS5400 switch both voice and data calls. The Cisco As5300 switches only data calls.
- On the Cisco AS5800, direct-inward-dial (DID) switched calls can work without a Voice Feature Card, if the appropriate modem is present. Refer to the AS5800 hardware and software installation manuals for more information.
- On the Cisco AS5400, direct-inward-dial (DID) switched calls can work with only Trunk Feature Cards present. No Voice Feature Card or Modem Feature card are required.
- An interface that is a member of a Non-Facility Associated Signaling (NFAS) group cannot belong to a trunk group.
- The Cisco AS5400 supports Network Side ISDN PRI Signaling and Calling Switching Using Dial Peers. It does not support Trunk Group Resource Manager and Class of Restrictions.
- The Network Side ISDN PRI part of this feature runs on any ISDN-capable platform with PRI interfaces. The trunking and class of restrictions parts of this feature require the Cisco AS5800.



Note

To identify the hardware platform or software image information associated with a feature, use the Feature Navigator on Cisco.com to search for information about the feature. For more information, see the “Identifying Supported Platforms” section in the “Using Cisco IOS Software” chapter.

Configuring ISDN Network Side for the National ISDN Switch Type

To configure Network Side ISDN PRI, use the following commands beginning in global configuration mode:

	Command	Purpose
Step 1	Router(config)# isdn switch-type <i>type</i>	Sets the global ISDN switch type. Two types are supported: <ul style="list-style-type: none"> • primary-ni for NI on a T1 line • primary-net5 for ETSI Net5 on an E1 line
	or	
	Router(config-if)# interface serial <i>10/0/n</i>	Specifies the D-channel interface. For <i>n</i> , the D-channel number, use: 0:23 on a T1 PRI 0:15 on an E1 PRI
	and	
	Router(config-if)# switch-type primary-ni	Sets the switch type on the interface.
Step 2	Router(config-if)# isdn protocol-emulate network	Enables network-side support on the PRI interface.

If you choose to configure Network Side ISDN PRI on individual interfaces in Step 1, repeat the configuration on the additional PRI interfaces.

Configuring ISDN Network Side for ETSI Net5 PRI

To configure a Cisco access router for ISDN Network Side for ETSI Net5 PRI, you can configure the **primary-net5** switch type globally or you can configure the **primary-net5** switch type on selected PRI interfaces. To configure ISDN Network Side for Net5, use the following commands beginning in global configuration mode:

	Command	Purpose
Step 1	Router(config)# isdn switch-type primary-net5	Sets the primary-net5 global ISDN switch type.
	or	
	Router(config-if)# interface serial <i>10/0/0:15</i>	Specifies a D-channel interface to configure for ISDN Network Side for ETSI Net5 PRI.
	Router(config-if)# switch-type primary-net5	
Step 2	Router(config-if)# isdn protocol-emulate network	Enables network side support on the interface.

Repeat the configuration steps on all the additional PRI D-channel interfaces you want to configure for ISDN Network Side for ETSI Net5 PRI.

Configuring Global or Interface Trunk Groups

You can create trunk groups globally (using the one-command version of Step 1) or on each interface (using the two-command version of Step 1). To configure trunk groups, use the following commands beginning in global configuration mode:

	Command	Purpose
Step 1	<pre>Router(config)# trunk group group-number</pre> <p>or</p> <pre>Router(config-if)# interface serial10/0/n</pre> <p>and</p> <pre>Router(config-if)# trunk-group group-number</pre>	<p>Defines the trunk group globally.</p> <p>Specifies the PRI D-channel. For <i>n</i>, the D-channel number, use:</p> <ul style="list-style-type: none"> • 0:23 on a T1 PRI • 0:15 on an E1 PRI <p>Adds the interface to a trunk group. If the trunk group has not been defined globally, it will be created now.</p>
Step 2	<pre>Router(config-if)# max-calls {voice data any} number [direction in out]</pre>	<p>Applies a maximum number of calls restriction to the trunk group.</p> <p>This command can be repeated to apply a maximum number to different types of calls and, optionally, to specify whether the maximum applies to incoming or outgoing calls.</p> <p>Note Repeat Step 1 and Step 2 to create additional trunk groups and specify their restrictions, as needed for your traffic.</p>
Step 3	<pre>Router(config)# dial-peer voice tag pots</pre>	<p>Enters dial-peer configuration mode and defines a remote dial peer.</p>
Step 4	<pre>Router(config-dial-peer)# trunkgroup group-number</pre>	<p>Specifies the trunk group to be used for outgoing calls to the destination phone number.</p>

Configuring Classes of Restrictions

To configure COR for dial peers, use the following commands beginning in global configuration mode:

	Command	Purpose
Step 1	Router(config)# dial-peer cor custom	Specifies that named classes of restrictions apply to dial peers and changes the command mode to COR configuration.
Step 2	Router(config-cor)# name class-name	Provides a name for a custom class of restrictions. Note Repeat this step for additional class names, as needed. These class names are used in various combinations to define the lists in Step 3 and Step 4.
Step 3	Router(config)# dial-peer cor list list-name	Provides a name for a list of restrictions.
Step 4	Router(config-cor)# member class-name	Adds a COR class to this list of restrictions. The member is a class named in Step 2. Note Repeat Step 3 and Step 4 to define another list and its membership, as needed.
Step 5	Router(config)# dial-peer voice tag pots	Enters dial-peer configuration mode and defines a remote dial peer.
Step 6	Router(config-dial-peer)# corlist incoming cor-list-name	Specifies the COR list to be used when this is the incoming dial peer.
Step 7	Router(config-dial-peer)# corlist outgoing cor-list-name	Specifies the COR list to be used when this is the outgoing dial peer. Note Repeat Step 5 through Step 7 for additional dial peers, as needed.

Configuring ISDN T306 and T310 Timers

To configure the T306 and T310 timers, use the following commands beginning in global configuration mode:

	Command	Purpose
Step 1	Router(config)# interface serial controller:timeslot	Enters interface configuration mode for a D-channel serial interface.
Step 2	Router(config-if)# isdn t306 milliseconds	Sets the number of milliseconds that the gateway waits before clearing a call after the router sends out a disconnect message with a progress indicator of 8.
Step 3	Router(config-if)# isdn t310 milliseconds	Sets the number of milliseconds that the gateway waits before clearing a call after it receives a Call Proceeding message.

To verify that the T306 timer is configured and operating correctly, perform the following steps:

-
- Step 1** Display the running configuration file with the **show running-config** privileged EXEC command. Verify that the configuration is accurate for the T306 timer. See the “[T306/T310 Timer Configuration Example](#)” section for a sample configuration.
 - Step 2** Enable the **debug isdn q931** privileged EXEC command to trace the ISDN messages.
 - Step 3** Place a call to the gateway. Disconnect the call and allow the far end to play its error message until the T306 timer expires. When the timer expires, the gateway should disconnect the call.
-

Verifying Network Side ISDN PRI Signaling, Trunking, and Switching

To learn whether the Network Side ISDN PRI Signaling, Trunking, and Switching feature is configured successfully, perform the following steps:

-
- Step 1** Enter the **show isdn status** command to learn whether an appropriate switch type is specified either globally or on the D-channel interface:

```
Router# show isdn status serial 0:15

Global ISDN Switchtype = primary-net5
ISDN Serial0:15 interface
***** Network side configuration *****
dsl 0, interface ISDN Switchtype = primary-net5
```

- Step 2** Enter the **show dial-peer voice** command to learn whether the trunk group COR list and permission fields are set as desired on a dial peer:

```
Router# show dial-peer voice
```

```
VoiceEncapPeer210
  information type = voice,
  tag = 210, destination-pattern = `221',
  answer-address = `', preference=0,
  numbering Type = `unknown'
  group = 210, Admin state is up, Operation state is up,
  incoming called-number = `221', connections/maximum = 4/unlimited,
  DTMF Relay = disabled,
  Modem = system passthrough ,
  huntstop = disabled,
  application associated:
  permission :both
  incoming COR list:listA
  outgoing COR list:minimum requirement
  type = pots, prefix = `221',
  forward-digits default
  session-target = `', voice-port = `1/0/8:D',
  direct-inward-dial = enabled,
  digit_strip = enabled,
```



Note

The above output is for a dial peer configured with incoming COR list “listA” and without an outgoing COR list configured. When no outgoing COR list is configured, the **show dial-peer voice** command displays “minimum requirement” in the outgoing COR list output. When no incoming COR list is configured, the **show dial-peer voice** command displays “maximum capability” in the incoming COR list output.

- Step 3** Enter the **show dial-peer cor** command to display the COR names and lists you defined. For example, if you configured COR as shown in the following sample display, the **show dial-peer cor** command output reflects that configuration.

Sample Configuration

```
dial-peer cor custom
  name 900block
  name 800_call
  name Catchall
!
dial-peer cor list list1
  member 900block
  member 800_call
!
dial-peer cor list list2
  member 900block
!
dial-peer cor list list3
  member 900block
  member 800_call
  member Catchall
```

Verification

```
Router# show dial-peer cor
```

```
Class of Restriction
  name:900block
  name:800_call
  name:Catchall
```

```
COR list <list1>
  member:900block
  member:800_call
```

```
COR list <list2>
  member:900block
```

```
COR list <list3>
  member:900block
  member:800_call
  member:Catchall
```

- Step 4** Enter the **show tgrm** command to verify the trunk group configuration. For example, if you configured trunk groups as shown in the following sample display, the **show tgrm** command output reflects that configuration.

Sample Configuration

```
interface Serial1/0/8:15
  no ip address
  ip mroute-cache
  no keepalive
  isdn switch-type primary-net5
  isdn protocol-emulate network
  isdn incoming-voice modem
  trunk-group 2
  no cdp enable
```

Verification

```
Router# show tgrm
```

```
Trunk   Any in Vce in   Data in
Group # Any out Vce out   Data out

      2      65535  65535  65535
          65535  65535  65535
          0 Retries
          Interface Se1/0/1:15   Data = 0, Voice = 0, Free = 30
          Interface Se1/0/8:15   Data = 2, Voice = 0, Free = 28
```

```
Total calls for trunk group:Data = 2, Voice = 0, Free = 58
Selected Voice Interface :Se1/0/1:15
Selected Data Interface  :Se1/0/1:15
```

Step 5 Enter the **show isdn status** command to display the status of both Network Side ISDN PRI and call switching:

```
Router# show isdn status

Global ISDN Switchtype = primary-net5
ISDN Serial1/0/0:15 interface
    ***** Network side configuration *****
    dsl 0, interface ISDN Switchtype = primary-net5
    Layer 1 Status:
        ACTIVE
    Layer 2 Status:
        TEI = 0, Ces = 1, SAPI = 0, State = MULTIPLE_FRAME_ESTABLISHED
    Layer 3 Status:
        2 Active Layer 3 Call(s)
    Activated dsl 0 CCBS = 2
        CCB:callid=3C71, sapi=0, ces=0, B-chan=31, calltype=data
        CCB:callid=3C72, sapi=0, ces=0, B-chan=30, calltype=data
    The Free Channel Mask: 0x9FFF7FFF
ISDN Serial1/0/1:15 interface
/1/0/8
filtering...
ISDN Serial1/0/8:15 interface
    ***** Network side configuration *****
    dsl 8, interface ISDN Switchtype = primary-net5
    Layer 1 Status:
        ACTIVE
    Layer 2 Status:
        TEI = 0, Ces = 1, SAPI = 0, State = MULTIPLE_FRAME_ESTABLISHED
    Layer 3 Status:
        2 Active Layer 3 Call(s)
    Activated dsl 8 CCBS = 2
        CCB:callid=BB40, sapi=0, ces=0, B-chan=1, calltype=DATA
        CCB:callid=BB41, sapi=0, ces=0, B-chan=2, calltype=DATA
    The Free Channel Mask: 0xFFFF7FFC
```

Monitoring Network Side ISDN PRI

To monitor Network Side ISDN PRI, use the following commands in EXEC mode as needed:

Command	Purpose
Router# show controllers e1 slot/port	Checks Layer 1 (physical layer) of the PRI over E1.
Router# show controllers e1 number call-counters	Displays the number of calls and call durations on an E1 controller.
Router# show interfaces serial slot/port bchannel channel-number	Displays information about the physical attributes of the ISDN PRI over channelized E1 B and D channels.
Router# show isdn {active history memory services status [dsl interface-type number] timers}	Displays information about memory, Layer 2 and Layer 3 timers, and the status of PRI channels.

Monitoring TGRM

To monitor and maintain the Trunk Group Resource Manager, use the following command in EXEC mode:

Command	Purpose
Router# show tgrm	Displays TGRM information for debugging purposes.

Configuration Examples for Network Side ISDN PRI Signaling, Trunking, and Switching

This section provides the following configuration examples:

- [Call Switching and Dial Peers Configuration on T1/T3 Example](#)
- [Trunk Group Configuration Example](#)
- [COR for Dial Peer Configuration Example](#)
- [COR Based on Outgoing Dial Peers Example](#)
- [Dial Peers and Trunk Groups for Special Numbers Examples](#)
- [ISDN Network Side for ETSI Net5 PRI Configuration on E1 Example](#)
- [T306/T310 Timer Configuration Example](#)

Call Switching and Dial Peers Configuration on T1/T3 Example

The following example enables Network Side ISDN PRI, call switching, and dial peers:

```

isdn switch-type primary-ni
!
controller T1 1/0/0
 framing esf
 linecode b8zs
 pri-group timeslots 1-24
!
interface Serial1/0/0:23
 no ip address
 no ip directed-broadcast
 isdn switch-type primary-ni
 isdn protocol-emulate network
 isdn incoming-voice modem
 no cdp enable
!
dial-peer voice 11 pots
 incoming called-number 222
 destination-pattern 222
 direct-inward-dial
 port 1/0/0:D
 prefix 555

```


Trunk Group Configuration Example

The following trunk group allows only voice calls:

```
trunk group 1
max-calls data 0
!
```

The following trunk group allows a maximum of 20 outgoing voice calls:

```
trunk group 2
max-calls voice 20 direction out
!
```

The following trunk group allows a maximum of 50 incoming calls:

```
trunk group 3
max-calls any 50 direction in
!
```

The following trunk group allows a maximum of 100 calls, 30 of which can be voice (incoming or outgoing), and 60 of which can be incoming data (the remaining 10 will be unused):

```
trunk group 4
max-calls any 100
max-calls voice 30
max-calls data 60 direction in
```

COR for Dial Peer Configuration Example

The following example defines trunk group 101, establishes Network Side ISDN PRI on two PRI interfaces, and assigns both interfaces to trunk group 101. In addition, it establishes three COR lists, and specifies which incoming dial peers can make calls to 800 and which can make calls to 900 area codes. This example adopts a useful mnemonic pattern: the **dial-peer voice** tags for incoming calls correspond to the answer address (the phone number being called) and the **dial-peer voice** tags for outgoing calls correspond to the destination pattern.

```
trunk group 101
!
interface Serial1/0/0:23
no ip address
no ip directed-broadcast
isdn switch-type primary-ni
isdn protocol-emulate network
isdn incoming-voice modem
no cdp enable
trunk-group 101
!
interface Serial1/0/1:23
no ip address
no ip directed-broadcast
isdn switch-type primary-ni
isdn protocol-emulate network
isdn incoming-voice modem
no cdp enable
trunk-group 101
!
dial-peer cor custom
name 900_call
name 800_call
!
dial-peer cor list list1
member 900_call
!
```

```

dial-peer cor list list2
  member 800_call
!
dial-peer cor list list3
  member 900_cs11
  member 800_call
!
dial-peer voice 525 pots
  answer-address 408525....
  corlist incoming list3
  direct-inward-dial
!
dial-peer voice 526 pots
  answer-address 408526....
  corlist incoming list2
  direct-inward-dial
!
dial-peer voice 900 pots
  destination-pattern 1900.....
  direct-inward-dial
  trunkgroup 101
  prefix 333
  corlist outgoing list1
!
dial-peer voice 12345 pots
  destination-pattern .T
  direct-inward-dial
  trunkgroup 202
!

```

COR Based on Outgoing Dial Peers Example

A typical application of COR is to define a COR name for the number that an outgoing dial peer serves, then define a list that contains only that COR name, and assign that list as **corlist outgoing** for this outgoing dial peer. For example, dial peer with destination pattern 5x can have a **corlist outgoing** that contains COR 5x.

The next step, in the typical application, is to determine how many call permission groups are needed, and define a COR list for each group. For example, group A is allowed to call 5x and 6x, and group B is allowed to call 5x, 6x, and 1900x. Then, for each incoming dial peer, we can assign a group for it, which defines what number an incoming dial peer can call. Assigning a group means assigning a **corlist incoming** to this incoming dial peer.

```

config terminal
dial-peer cor custom
  name 5x
  name 6x
  name 1900x
!
dial-peer cor list listA
  member 5x
  member 6x
!
dial-peer cor list listB
  member 5x
  member 6x
  member 1900x
!
dial-peer cor list list5x
  member 5x
!

```

```

dial-peer cor list list6x
  member 6x
!
dial-peer cor list list1900x
  member 1900x

! outgoing dialpeer 100, 200, 300
dial-peer voice 100 pots
  destination-pattern 5T
  corlist outgoing list5x
dial-peer voice 200 pots
  destination-pattern 6T
  corlist outgoing list6x
dial-peer voice 300 pots
  destination-pattern 1900T
  corlist outgoing list1900x
!
! incoming dialpeer 400, 500
dial-peer voice 400 pots
  answer-address 525...
  corlist incoming listA
dial-peer voice 500 pots
  answer-address 526
  corlist incoming listB

```

In this example, calls from 525xxxx are not able to use dial peer 300, which means they will not be able to make 1900 calls (long distance calls to the 900 area code). But calls from 526xxxx can make 1900 calls.

Dial Peers and Trunk Groups for Special Numbers Examples

The following partial examples show setups for handling special numbers such as the 911 emergency number, the 0 local operator number, the 00 long-distance operator number, and so forth. “T” in these examples stands for the “interdigital timeout.” Calls to emergency numbers should not wait for this timeout, so 911 is used as the destination pattern, not 911T.

This partial example sets up a trunk group to handle calls going to the operator (0):

```

dial-peer voice 100 pots
  destination-pattern 0T
  trunkgroup 203
!

```

The following partial example sets up a trunk group to handle calls to the long distance operator (00):

```

dial-peer voice 200 pots
  destination-pattern 00T
  trunkgroup 205
!

```

The following partial example sets up a trunk group to handle calls to the international direct dial (011):

```

dial-peer voice 300 pots
  destination-pattern 011T
  trunkgroup 207
!

```

The following partial example sets up a trunk group to handle street line calls (calls that get a dial tone for an outside line):

```

disl-peer voice 400 pots
  destination-pattern 9T
  trunkgroup 209
!

```

The following partial example sets up a trunk group to handle calls for directory assistance:

```
dial-peer voice 500 pots
 destination-pattern 411
 trunkgroup 211
!
```

The following partial example sets up a trunk group to handle calls to the 911 emergency number. Emergency calls will not require a wait for the interdigital timeout to expire. They will be completed immediately.

```
dial-peer voice 600 pots
 destination pattern 911
 trunkgroup 333
```

ISDN Network Side for ETSI Net5 PRI Configuration on E1 Example

The following example enables the ISDN Network Side for ETSI Net5 PRI feature on an access server on which ISDN PRI is already configured and operational. In this example, the Net5 PRI switch type is set on the D-channel interface, and the global interface type is not shown.

```
controller e1 0
 pri-group timeslots 1-31
 exit
!
interface serial0:15
 no ip address
 no ip directed-broadcast
 ip mroute-cache
 isdn switch-type primary-net5
 isdn protocol-emulate network
```

T306/T310 Timer Configuration Example

The following example configures the T306 and T310 disconnect timers:

```
interface Serial0:23
 no ip address
 no ip directed-broadcast
 encapsulation ppp
 dialer rotary-group 0
 isdn switch-type primary-5ess
 isdn incoming-voice modem
 isdn t306 60000
 isdn t310 40000
```

Cisco and the Cisco Logo are trademarks of Cisco Systems, Inc. and/or its affiliates in the U.S. and other countries. A listing of Cisco's trademarks can be found at www.cisco.com/go/trademarks. Third party trademarks mentioned are the property of their respective owners. The use of the word partner does not imply a partnership relationship between Cisco and any other company. (1005R)

Any Internet Protocol (IP) addresses used in this document are not intended to be actual addresses. Any examples, command display output, and figures included in the document are shown for illustrative purposes only. Any use of actual IP addresses in illustrative content is unintentional and coincidental.

© 2007-2009 Cisco Systems, Inc. All rights reserved.



Dial-on-Demand Routing Configuration



Preparing to Configure DDR

This chapter presents the decisions and preparations leading to a dial-on-demand routing (DDR) configuration and shows where some advanced features fit into the DDR configuration steps. It distinguishes between the topology decisions and the implementation of the decisions. In the implementation phase, it distinguishes the DDR-independent decisions from the DDR-dependent decisions.

This chapter provides the following information:

- [DDR Decision Flowchart](#)—A flowchart of topology and implementation decisions that you will need to make before you configure DDR.
- [DDR Topology Decisions](#), [DDR-Independent Implementation Decisions](#), and [DDR-Dependent Implementation Decisions](#)—References to sources of detailed information for the configuration steps associated with each decision.
- [Global and Interface Preparations for DDR](#)—Brief description indicating which preparations are global and which are interface-specific.
- [Preparations for Routing or Bridging over DDR](#)—A description of the steps required for bridging or routing over DDR.

The section “[Configuration Examples for Legacy DDR](#)” at the end of this chapter provides examples of configuring DDR in your network, and includes line configuration and chat script samples.

To identify the hardware platform or software image information associated with a feature, use the Feature Navigator on Cisco.com to search for information about the feature or refer to the software release notes for a specific release. For more information see the “Identifying Supported Platforms” section in the “Using Cisco IOS Software” chapter.

For a complete description of the global dialer commands in this chapter, refer to the *Cisco IOS Dial Technologies Command Reference*. To locate documentation of other commands that appear in this chapter, use the command reference master index or search online.

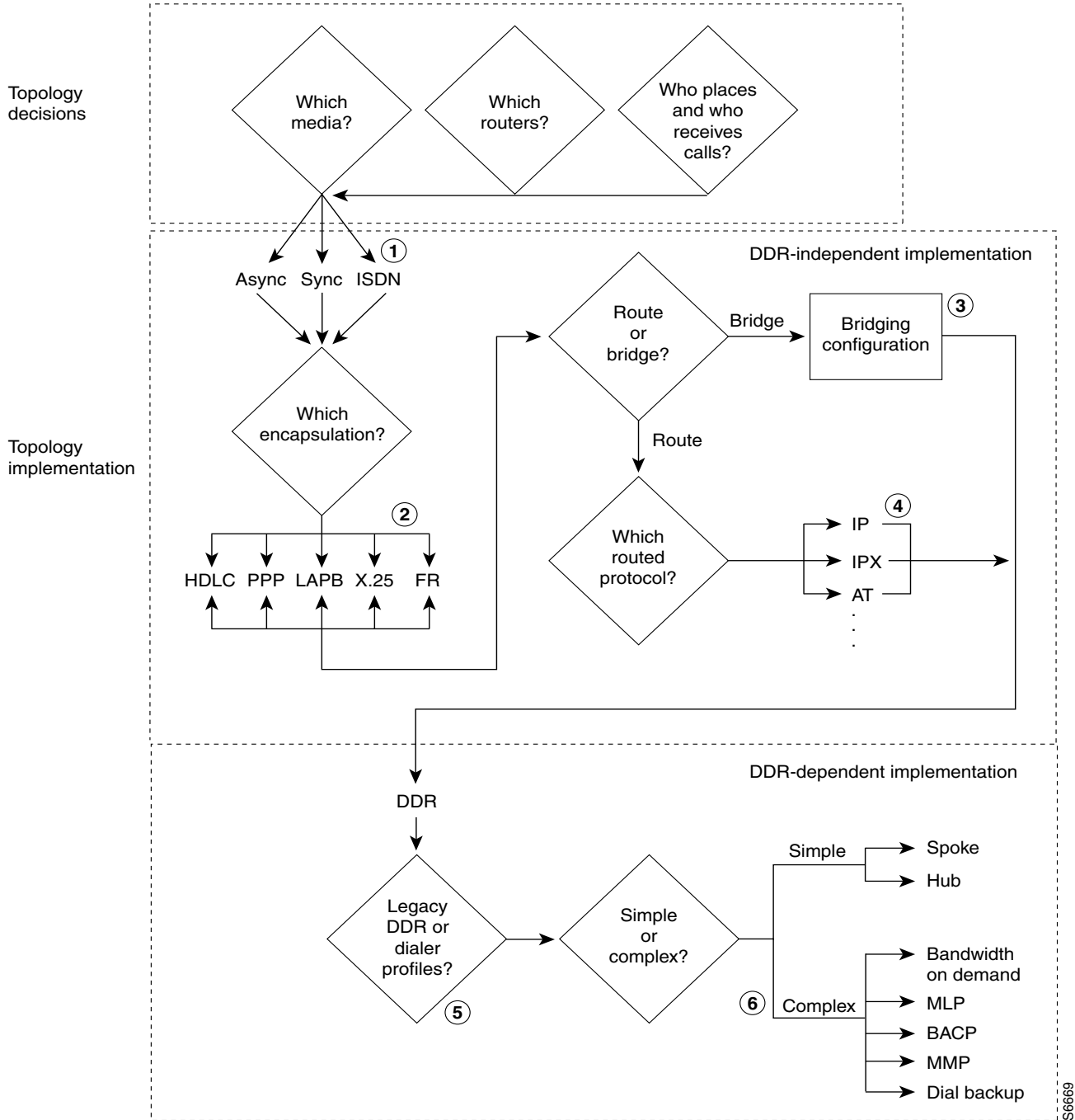
DDR Decision Flowchart

This section provides a flowchart of the decisions to be made before and while you configure DDR and also includes the flowchart.



Figure 1 presents the entire decision flowchart. The decision phases are shown in separate boxes. Numbers in parentheses refer to notes, which follow the figure.

Figure 1 Decisions and Implementation Flow to DDR



S6669

Flowchart Notes

The DDR chapters do not provide complete configuration information for most of the items in the following list. However, detailed information is available in other chapters and publications. The numbers in this list correspond to the circled numbers in the flowchart.

1. Configuration of the dial port and interface. The port, line, and interface are expected to be configured and operational before you configure DDR. See the relevant chapters in the “Preparing for Dial Access” part of this manual.
2. Encapsulation; including encapsulation for other WANs. See the “Configuring Media-Independent PPP and Multilink PPP” chapter of this publication for PPP encapsulation and refer to the *Cisco IOS Wide-Area Networking Configuration Guide* for sections on Frame Relay and X.25.
3. Bridging configurations. Refer to the *Cisco IOS Bridging and IBM Networking Configuration Guide*.
4. Routed protocols to be supported. See the protocol-specific chapters and publications.
5. Dialer profiles and legacy DDR are described in different chapters of the “Dial-on-Demand Routing” part of this publication.
6. Complex DDR configurations. Refer to the chapter “Configuring Media-Independent PPP and Multilink PPP” in this publication.

The DDR chapters provide complete configuration information about the simple hub-and-spoke DDR configurations, about the dialer profiles implementation of DDR, and about preparations required for configuring asynchronous interfaces for DDR.

DDR Topology Decisions

Topology decisions determine which routers will use DDR, which media and interfaces each one will use for DDR, and how each interface will function when using DDR. For example, if you choose a hub-and-spoke topology, one router will communicate with multiple routers. You must decide whether that router will use one interface or multiple interfaces for DDR, and whether it will receive calls only (forcing the spokes to initiate and bear the cost of calls). If it will use multiple interfaces, you must decide whether they will be of different types or the same type.

DDR-Independent Implementation Decisions

DDR-independent implementation decisions include the following:

- Using a specific interface or combination of interfaces for DDR.
For complete configuration steps for the various media and interfaces, see the chapters in the “Dial-In Port Setup” part of this publication.
- Using nondefault encapsulations.

The default encapsulation is High-Level Data Link Control (HDLC). However, PPP is widely used for situations in which authentication is desired, especially situations in which an interface will receive calls from multiple sites. Detailed PPP encapsulation requirements are described in the “Configuring Media-Independent PPP and Multilink PPP” and “Configuring Asynchronous PPP and SLIP” chapters of this publication.

If you decide to send DDR traffic over Frame Relay, X.25, or Link Access Procedure, Balanced (LAPB) networks, the interface must be configured with the appropriate encapsulation. For configuration details, refer to the related chapters in the *Cisco IOS Wide-Area Networking Configuration Guide*.

- Routing or bridging the DDR traffic.

Legacy DDR supports bridging to only one destination, but the dialer profiles support bridging to multiple destinations.

If you decide to bridge traffic over a dial-on-demand connection, configure the interface for transparent bridging. For detailed information, refer to the “Configuring Transparent Bridging” chapter of the *Cisco IOS Bridging and IBM Networking Configuration Guide*.

- Supporting one or more specific routed protocols, if you decide to route traffic.

Depending on the protocol, you do need to control access by entering access lists and to decide how to support network addressing on an interface to be configured for DDR. You might also need to spoof keepalive or other packets. For configuration details, refer to the related network protocol chapters in the appropriate network protocols configuration guide, such as the *Cisco IOS AppleTalk and Novell IPX Configuration Guide*.

DDR-Dependent Implementation Decisions

You must decide whether to implement legacy DDR or the newer dialer profiles; both are documented in the “Dial-on-Demand Routing” part of this publication. You must also decide whether a simple DDR configuration meets your business needs or whether to add other features.

Dialer Profiles

The dialer profiles implementation of DDR is based on a separation between logical and physical interface configuration. Dialer profiles also allow the logical and physical configurations to be bound together dynamically on a per-call basis.

Dialer profiles are advantageous in the following situations:

- When you want to share an interface (ISDN, asynchronous, or synchronous serial) to place or receive calls.
- When you want to change any configuration on a per-user basis.
- When you want to maximize ISDN channel usage using the Dynamic Multiple Encapsulations feature to configure various encapsulation types and per-user configurations on the same ISDN B channel at different times according to the type of call.
- When you want to bridge to many destinations, and for avoiding split horizon problem.

Most routed protocols are supported; however, International Organization for Standardization Connectionless Network Service (ISO CLNS) is not supported.

If you decide to configure dialer profiles, you must disable validation of source addresses for the routed protocols you support.

For detailed dialer profiles information, see the “Configuring Peer-to-Peer DDR with Dialer Profiles” chapter in this publication. For more information about Dynamic Multiple Encapsulations, see the “How to Configure Dialer Profiles” section in that chapter.

Legacy DDR

Legacy DDR is powerful and comprehensive, but its limitations affect scaling and extensibility. Legacy DDR is based on a static binding between the per-destination call specification and the physical interface configuration.

However, legacy DDR also has many strengths. It supports Frame Relay, ISO CLNS, LAPB, snapshot routing, and all routed protocols that are supported on Cisco routers. By default, legacy DDR supports fast switching.

For information about simple legacy DDR spoke configurations, see the “Configuring Legacy DDR Spokes” chapter. For information about simple legacy DDR hub configurations, see the “Configuring Legacy DDR Hubs” chapter. Both chapters are in this publication.

Simple or Complex DDR Configuration

You must also decide whether to implement a simple DDR configuration—whether it is a simple point-to-point (spoke-to-spoke) layout or a simple hub-and-spoke layout—or to add on features that make the implementation more complex. Add-on features include dial backup, bandwidth on demand, application of the Bandwidth Allocation Control Protocol (BACP), Multilink PPP, and many others.

Global and Interface Preparations for DDR

Some preparations are global and some depend on the type of interface you will configure for DDR. After you have made the required global decision whether to bridge or to route a specified protocol over a dial-on-demand link, you can make the following preparations:

- If you choose to bridge the protocol, decide whether to allow bridge packet access by Ethernet type codes or to permit all bridge packets across the link. Allowing access by Ethernet type codes requires you to define a bridging access list in global configuration mode.

Allowing all bridge packets to trigger calls across a dial-on-demand link to a single destination is a DDR-dependent task addressed in the “Configure Dialer Access Lists to Trigger Outgoing Calls” section of both the “Configuring Legacy DDR Spokes” and “Configuring Legacy DDR Hubs” chapters in this publication.

Bridging to multiple destinations requires dialer profiles.

- If you choose to route the protocol:
 - Define one or more access lists for the selected routed protocol to determine which packets should be permitted or denied access to the dial-on-demand link.

Allowing those packets to trigger calls across a dial-on-demand link is a DDR-dependent task addressed in the “Configure Dialer Access Lists to Trigger Outgoing Calls” section of both the “Configuring Legacy DDR Spokes” and “Configuring Legacy DDR Hubs” chapters in this publication.

- Define an appropriate dialer list for the protocol.
- Disable validation of source addresses, if you decide to configure dialer profiles.

Preparations Depending on the Selected Interface Type

The steps shown in this chapter assume that you have also completed the required preparatory steps for the type of interface you will configure for DDR:

- The interface is installed, the cable is connected as needed, and operational.
- Chat scripts are ready, as needed, for any asynchronous interfaces and modem scripts have been assigned to the relevant asynchronous lines.
- Asynchronous lines and modems are configured and operational, as needed.
- Any ISDN line that will be used for DDR is properly provisioned and running.
- You have decided which interfaces and how many interfaces are to be configured for DDR, and what functions each interface will perform.

Preparations for Routing or Bridging over DDR

The following tasks are DDR-independent and can be completed before you configure DDR. Minimal tasks required for each item are presented in this chapter. For detailed information about bridging, routing, and wide-area networking configurations, refer to the appropriate chapters in other manuals of the Cisco IOS documentation set.

Complete the following minimal tasks for the global decisions you have made:

- [Preparing for Transparent Bridging over DDR](#) (As required)
- [Preparing for Routing over DDR](#) (As required)

Preparing for Transparent Bridging over DDR

To prepare for transparent bridging over DDR, complete the tasks in the following sections:

- [Defining the Protocols to Bridge](#) (As required)
- [Specifying the Bridging Protocol](#) (As required)
- [Controlling Bridging Access](#) (As required)

Defining the Protocols to Bridge

IP packets are routed by default unless they are explicitly bridged; all others are bridged by default unless they are explicitly routed. To bridge IP packets, use the following command in global configuration mode:

Command	Purpose
Router(config)# no ip routing	Disables IP routing.

If you choose *not* to bridge another protocol supported on your network, use the relevant command to enable routing of that protocol. For more information about tasks and commands, refer to the relevant protocol chapter in the appropriate network protocols configuration guide, such as the *Cisco IOS AppleTalk and Novell IPX Configuration Guide* or *Cisco IOS IP Configuration Guide*.

Specifying the Bridging Protocol

You must specify the type of spanning-tree bridging protocol to use and also identify a bridge group. To specify the spanning-tree protocol and a bridge group number, use the following command in global configuration mode:

Command	Purpose
Router(config)# bridge <i>bridge-group</i> protocol { ieee dec }	Defines the type of spanning tree protocol and identifies a bridge group.

The bridge-group number is used when you configure the interface and assign it to a bridge group. Packets are bridged only among members of the same bridge group.

Controlling Bridging Access

You can control access by defining any transparent bridge packet as *interesting*, or you can use the finer granularity of controlling access by Ethernet type codes.

To control access by Ethernet type codes, use the following commands in global configuration mode:

	Command	Purpose
Step 1	Router(config)# access-list <i>access-list-number</i> { permit deny } <i>type-code</i> [<i>mask</i>]	Identifies interesting packets by Ethernet type codes (access list numbers must be in the range 200–299).
Step 2	Router(config)# dialer-list <i>dialer-group</i> protocol bridge list <i>access-list-number</i>	Defines a dialer list for the specified access list.

Packets with a specified Ethernet type code can trigger outgoing calls. Spanning tree bridge protocol data units (BPDU) are always treated as *uninteresting* and cannot trigger calls.

For a table of some common Ethernet types codes, refer to the “Ethernet Types Codes” appendix in the *Cisco IOS Bridging and IBM Networking Command Reference*.

To identify all transparent bridge packets as interesting, use the following command in global configuration mode:

Command	Purpose
Router(config)# dialer-list <i>dialer-group</i> protocol bridge permit	Defines a dialer list that treats all transparent bridge packets as interesting.

Preparing for Routing over DDR

DDR supports the following routed protocols: AppleTalk, Banyan VINES, DECnet, IP, Internet Protocol Exchange (IPX), ISO CLNS, and Xerox Network Systems (XNS).

To prepare for routing a protocol over DDR, perform the tasks in the relevant section:

- [Configuring the Protocol for Routing and Access Control](#) (As required)
- [Associating the Protocol Access List with a Dialer Group](#) (As required)

Configuring the Protocol for Routing and Access Control

This section specifies the minimal steps required to configure a protocol for routing over DDR. For more options and more detailed descriptions, refer to the relevant protocol chapter.

Configuring IP Routing

IP routing is enabled by default on Cisco routers; thus no preparation is required simply to enable it. You might, however, need to decide your addressing strategy and complete other global preparations for routing IP in your networks. To use dynamic routing where multiple remote sites communicate with each other through a central site, you might need to disable the IP split horizon feature. Refer to the “Configuring IP Addressing” chapter in the *Cisco IOS IP Configuration Guide* for more information.

At a minimum, you must complete the following tasks:

- Disable validation of source addresses.
- Configure one or more IP access lists before you refer to the access lists in DDR **dialer-list** commands to specify which packets can trigger outgoing calls.

To disable validation of source addresses, use the following commands in global configuration mode:

Command	Purpose
Router(config)# router rip	Specifies the routing protocol; RIP, for example.
Router(config)# no validate-update-source	Disables validation of source addresses.
Router(config)# network number	Specifies the IP address.

For more information about IP routing protocols, refer to the *Cisco IOS IP Configuration Guide*.

To configure IP access lists, use one of the following commands in global configuration mode:

Command	Purpose
Router(config)# access-list access-list-number {deny permit} source [source-mask]	Specifies an IP standard access list.
or	
Router(config)# access-list access-list-number {deny permit} protocol source source-mask destination destination-mask [operator operand]	Specifies an IP extended access list.

You can also use simplified IP access lists that use the **any** keyword instead of the numeric forms of source and destination addresses and masks. Other forms of IP access lists are also available. For more information, refer to the “IP Services Commands” chapter in the *Cisco IOS IP Configuration Guide*.

For an example of configuring DDR for IP, see the chapters “Configuring a Legacy DDR Spoke” or “Configuring a Legacy DDR Hub” in this publication.

You can configure IP routing on DDR asynchronous, synchronous serial, and ISDN interfaces, as well as dialer rotary groups.

Configuring Novell IPX Routing

To configure routing of IPX over DDR, you must complete both global and interface-specific tasks:

- Enable IPX routing globally.
- Enable IPX watchdog spoofing, or enable Sequenced Packet Exchange (SPX) keepalive spoofing on the interface.

To enable IPX routing, use the following command in global configuration mode:

Command	Purpose
Router(config)# ipx routing [node]	Enables IPX routing.

To enable IPX watchdog spoofing on the interface, use the following command in interface configuration mode:

Command	Purpose
Router(config-if)# ipx watchdog-spoof	Enables IPX watchdog spoofing.

To enable SPX keepalive spoofing, use the following commands in interface configuration mode:

Command	Purpose
Router(config-if)# ipx spx-spoof	Enables SPX keepalive spoofing.
Router(config-if)# ipx spx-idle-time <i>delay-in-seconds</i>	Sets the idle time after which SPX spoofing begins.

You can configure IPX routing on DDR asynchronous, synchronous serial, and ISDN interfaces, as well as dialer rotary groups.

For detailed DDR for IPX configuration examples, refer to the section “IPX over DDR Example” in the “Configuring Novell IPX” chapter of the *Cisco IOS AppleTalk and Novell IPX Configuration Guide*.

Configuring AppleTalk Routing

You must enable AppleTalk routing and then specify AppleTalk access lists. After you specify AppleTalk access lists, define dialer lists. Use the **dialer-list protocol** command to define permit or deny conditions for the entire protocol; for a finer granularity, use the **dialer-list protocol** command with the **list** keyword.

You can configure AppleTalk routing on DDR asynchronous, synchronous serial, and ISDN interfaces, as well as dialer rotary groups.

See the chapters “Configuring a Legacy DDR Spoke” or “Configuring a Legacy DDR Hub” for more information and examples.

Configuring Banyan VINES Routing

To configure DDR for Banyan VINES, use one of the following commands in global configuration mode:

Command	Purpose
Router(config)# vines access-list <i>access-list-number</i> { permit deny } <i>source source-mask1</i>	Specifies a VINES standard access list.
or	
Router(config)# vines access-list <i>access-list-number</i> { permit deny } <i>source source-mask</i> [<i>destination</i>] [<i>destination-mask</i>]	Specifies a VINES extended access list.

After you specify VINES standard or extended access lists, define DDR dialer lists. Use the **dialer-list protocol** command to define permit or deny conditions for the entire protocol; for a finer granularity, use the **dialer-list protocol** command with the **list** keyword. See the chapters “Configuring a Legacy DDR Spoke” or “Configuring a Legacy DDR Hub” for more information and examples.

You can configure Banyan VINES on DDR asynchronous, synchronous serial, and ISDN interfaces, as well as dialer rotary groups.

**Note**

The Banyan VINES **neighbor** command is not supported for LAPB and X.25 encapsulations.

Configuring DECnet Routing

To configure DDR for DECnet, use one of the following commands in global configuration mode:

Command	Purpose
Router(config)# access-list <i>access-list-number</i> { permit deny } <i>source source-mask1</i>	Specifies a DECnet standard access list.
or	
Router(config)# access-list <i>access-list-number</i> { permit deny } <i>source source-mask</i> [<i>destination</i>] [<i>destination-mask</i>]	Specifies a DECnet extended access list.

After you specify DECnet standard or extended access lists, define DDR dialer lists. Use the **dialer-list protocol** command to define permit or deny conditions for the entire protocol; for a finer granularity, use the **dialer-list protocol** command with the **list** keyword. See the chapters “Configuring a Legacy DDR Spoke” or “Configuring a Legacy DDR Hub” in this publication for more information and examples.

You classify DECnet control packets, including hello packets and routing updates, using one or more of the following commands: **dialer-list protocol decnet_router-L1 permit**, **dialer-list protocol decnet_router-L2 permit**, and **dialer-list protocol decnet_node permit**.

You can configure DECnet on DDR asynchronous, synchronous serial, and ISDN interfaces, as well as dialer rotary groups.

Configuring ISO CLNS Routing

To configure ISO CLNS for DDR, use the following commands beginning in global configuration mode:

	Command	Purpose
Step 1	Router(config)# clns filter-set name [permit deny] template	Specifies one or more CLNS filters, repeating this command as needed to build the filter list associated with the filter name.
Step 2	Router(config)# interface type number	Specifies the interface to apply the filter to and begins interface configuration mode.
Step 3	Router(config-if)# clns access-group name out	Filters CLNS traffic going out of the interface, on the basis of the filter specified and named in Step 1.

After you complete these CLNS-specific steps, define a dialer list for CLNS. Use the **dialer-list protocol** command to define permit or deny conditions for the entire protocol; for a finer granularity, use the **dialer-list protocol** command with the **list** keyword. Use the *access-group* argument with this command, because ISO CLNS uses access groups but does not use access lists. See the chapters “Configuring a Legacy DDR Spoke” or “Configuring a Legacy DDR Hub” in this publication for more information and examples.

You classify CLNS control packets, including hello packets and routing updates, using the **dialer-list protocol clns_is permit** and/or **dialer-list protocol clns_es permit** command.

You can configure ISO CLNS on DDR asynchronous, synchronous serial, and ISDN interfaces, as well as dialer rotary groups.

Configuring XNS Routing

You must enable XNS routing and then define an access list. To define an XNS access list, use one of the following commands in global configuration mode:

Command	Purpose
Router(config)# access-list access-list-number { deny permit } source-network[.source-address [source-address-mask]] [destination-network[.destination-address [destination-address-mask]]]	Specifies a standard XNS access list.
or Router(config)# access-list access-list-number { deny permit } protocol [source-network[.source-host [source-network-mask.]source-host-mask] source-socket [destination-network [.destination-host [destination-network-mask.destination-host-mask] destination-socket[/pep]]]	Specifies an extended XNS access list.

After you specify an XNS access list, define a DDR dialer list. Use the **dialer-list protocol** command to define permit or deny conditions for the entire protocol; for a finer granularity, use the **dialer-list protocol** command with the **list** keyword. See the chapters “Configuring a Legacy DDR Spoke” or “Configuring a Legacy DDR Hub” for more information and examples.

You can configure XNS on DDR asynchronous, synchronous serial, and ISDN interfaces, as well as dialer rotary groups.

Associating the Protocol Access List with a Dialer Group

DDR supports the following routed protocols: AppleTalk, Banyan VINES, DECnet, IP, Novell IPX, ISO CLNS, and XNS.

You can permit or deny access by protocol, or you can specify an access list for more refined control. To associate a protocol or access list with a dialer group, use the following command in global configuration mode:

Command	Purpose
Router(config)# dialer-list <i>dialer-group</i> protocol <i>protocol-name</i> { permit deny list <i>access-list-number</i> <i>access-group</i> }	Associates a protocol access list number or access group name with the dialer group.



Note

For a given protocol and a given dialer group, only one access list can be specified in the **dialer-list** command.

For the **dialer-list protocol list** command form, acceptable access list numbers are as follows:

- Banyan VINES, DECnet, IP, and XNS standard and extended access list numbers
- Novell IPX standard, extended, and SAP access list numbers
- AppleTalk access lists numbers
- Bridge type codes

Configuration Examples for Legacy DDR

The following sections provide DDR configuration examples:

- [Point-to-Point DDR Without Authentication Examples](#)
- [Point-to-Point DDR with Authentication Examples](#)

Point-to-Point DDR Without Authentication Examples

The following example sets up two-way reciprocal DDR without authentication; the client and server have dial-in access to each other. This configuration is demonstrated in the following two subsections.

Remote Configuration

The following sample configuration is performed on the remote side of the connection:

```
interface ethernet 0
 ip address 172.30.44.1 255.255.255.0
!
interface async 7
 ip address 172.30.45.2 255.255.255.0
 async mode dedicated
 peer default ip address 172.30.45.1
 encapsulation ppp
 dialer in-band
```

```

dialer string 1234
dialer-group 1
!
ip route 172.30.43.0 255.255.255.0 async 7
ip default-network 172.30.0.0
chat-script generic ABORT BUSY ABORT NO ## AT OK ATDT\T TIMEOUT 30 CONNECT
dialer-list 1 protocol ip permit
!
line 7
no exec
modem InOut
speed 38400
flowcontrol hardware
script dialer generic

```

Local Configuration

The following sample configuration is performed on the local side of the connection:

```

interface ethernet 0
ip address 172.30.43.1 255.255.255.0
!
interface async 7
async mode dedicated
peer default ip address 172.30.45.2
encapsulation ppp
dialer in-band
dialer string 1235
dialer rotary-group 1
!
interface async 8
async mode dedicated
peer default ip address 172.30.45.2
dialer rotary-group 1
!
ip route 172.30.44.0 255.255.255.0 async 7
ip address 172.30.45.2 255.255.255.0
encapsulation ppp
ppp authentication chap
dialer in-band
dialer map ip 172.30.45.2 name remote 4321
dialer load-threshold 80
!
ip route 172.30.44.0 255.255.255.0 128.150.45.2
chat-script generic ABORT BUSY ABORT NO ## AT OK ATDT\T TIMEOUT 30 CONNECT
dialer-list 1 protocol ip permit
!
route igrp 109
network 172.30.0.0
redistribute static
passive-interface async 7
!
line 7
modem InOut
speed 38400
flowcontrol hardware
script dialer generic

```

Point-to-Point DDR with Authentication Examples

The following sample sets up two-way DDR with authentication; the client and server have dial-in access to each other. This configuration is demonstrated in the following two subsections.

Remote Configuration

The following example is performed on the remote side of the connection. It provides authentication by identifying a password that must be provided on each end of the connection.

```
username local password secret1
username remote password secret2
interface ethernet 0
 ip address 172.30.44.1 255.255.255.0
!
interface async 7
 ip address 172.30.45.2 255.255.255.0
 async mode dedicated
 peer default ip address 172.30.45.1
 encapsulation ppp
 dialer in-band
 dialer string 1234
 dialer-group 1
!
ip route 172.30.43.0 255.255.255.0 async 7
 ip default-network 172.30.0.0
 chat-script generic ABORT BUSY ABORT NO ## AT OK ATDT\T TIMEOUT 30 CONNECT
 dialer-list 1 protocol ip permit
!
line 7
 no exec
 modem InOut
 speed 38400
 flowcontrol hardware
 script dialer generic
```

Local Configuration

The following example configuration is performed on the local side of the connection. As with the remote side configuration, it provides authentication by identifying a password for each end of the connection.

```
username remote password secret1
username local password secret2
!
interface ethernet 0
 ip address 172.30.43.1 255.255.255.0
!
interface async 7
 async mode dedicated
 peer default ip address 172.30.45.2
 dialer rotary-group 1
!
interface async 8
 async mode dedicated
 peer default ip address 172.30.45.2
 dialer rotary-group 1
!
interface dialer 1
 ip address 172.30.45.2 255.255.255.0
 encapsulation ppp
```

```
ppp authentication chap
dialer in-band
dialer map ip 172.30.45.2 name remote 4321
dialer load-threshold 80
!
ip route 172.30.44.0 255.255.255.0 172.30.45.2
chat-script generic ABORT BUSY ABORT NO ## AT OK ATDT\T TIMEOUT 30 CONNECT
!
route igrp 109
network 172.30.0.0
redistribute static
passive-interface async 7
!
line 7
modem InOut
speed 38400
flowcontrol hardware
script dialer generic
```

Cisco and the Cisco Logo are trademarks of Cisco Systems, Inc. and/or its affiliates in the U.S. and other countries. A listing of Cisco's trademarks can be found at www.cisco.com/go/trademarks. Third party trademarks mentioned are the property of their respective owners. The use of the word partner does not imply a partnership relationship between Cisco and any other company. (1005R)

Any Internet Protocol (IP) addresses and phone numbers used in this document are not intended to be actual addresses and phone numbers. Any examples, command display output, network topology diagrams, and other figures included in the document are shown for illustrative purposes only. Any use of actual IP addresses or phone numbers in illustrative content is unintentional and coincidental.

© 2007-2009 Cisco Systems, Inc. All rights reserved.



Configuring Legacy DDR Spokes

This chapter describes how to configure legacy dial-on-demand routing (DDR) on interfaces that function as a *spoke* in a hub-and-spoke network topology. It includes the following main sections:

- [DDR Spokes Configuration Task Flow](#)
- [How to Configure DDR](#)
- [Monitoring DDR Connections](#)
- [Configuration Examples for Legacy DDR Spoke](#)

This chapter considers a spoke interface to be any interface that calls or receives calls from exactly one other router, and considers a hub interface to be an interface that calls or receives calls from more than one router: all the spokes in the network.

This chapter also describes the DDR-independent tasks required to bridge protocols or to route protocols over DDR. Most of these tasks are global in scope and can be completed before you begin to configure DDR.

For configuration tasks for the central hub interface in a hub-and-spoke network topology, see the chapter “Configuring a Legacy DDR Hub” in this publication.

For information about the Dialer Profiles implementation of DDR, see the chapter “Configuring Peer-to-Peer DDR with Dialer Profiles” in this publication.

To identify the hardware platform or software image information associated with a feature, use the Feature Navigator on Cisco.com to search for information about the feature or refer to the software release notes for a specific release. For more information, see the “Identifying Supported Platforms” section in the “Using Cisco IOS Software” chapter.

For a complete description of the legacy DDR spoke commands mentioned in this chapter, refer to the *Cisco IOS Dial Technologies Command Reference*. To locate documentation of other commands that appear in this chapter, use the command reference master index or search online.



DDR Spokes Configuration Task Flow

Before you configure DDR, make sure you have completed the preparations for bridging or routing as described in the chapter “Preparing to Configure DDR” in this publication. That chapter provides information about the minimal requirements. For detailed information about bridging, routing, and wide-area networking configurations, refer to the appropriate chapters in other volumes of this documentation set.

When you configure DDR on a spoke interface in a hub-and-spoke topology, you perform the following general steps:

-
- Step 1** Specify the interface that will place calls to or receive calls from a single site. (See the chapter “Configuring Legacy DDR Hubs” in this publication for information about configuring an interface to place calls to or receive calls from multiple sites.)
 - Step 2** Enable DDR on the interface. This step is not required for some interfaces; for example, ISDN interfaces and passive interfaces that receive only from DTR-dialing interfaces.
 - Step 3** Configure the interface to receive calls only, if applicable. Receiving calls from multiple sites requires each inbound call to be authenticated.
 - Step 4** Configure the interface to place calls only, if applicable.
 - Step 5** Configure the interface to place and receive calls, if applicable.
 - Step 6** If the interface will place calls, specify access control for:
 - Transparent bridging—Assign the interface to a bridge group, and define dialer lists associated with the bridging access lists. The interface switches between members of the same bridge group, and dialer lists specify which packets can trigger calls.
 - or
 - Routed protocols—Define dialer lists associated with the protocol access lists to specify which packets can trigger calls.
 - Step 7** Customize the interface settings (timers, interface priority, hold queues, bandwidth on demand, and disabling fast switching) as needed.

When you have configured the interface and it is operational, you can monitor its performance and its connections as described in the “[Monitoring DDR Connections](#)” section later in this chapter.

You can also enhance DDR by configuring Multilink PPP and configuring PPP callback. The PPP configuration tasks are described in the chapter “Configuring Media-Independent PPP and Multilink PPP” in this publication.

See the section “[Configuration Examples for Legacy DDR Spoke](#)” later in this chapter for examples of how to configure DDR on your network.

How to Configure DDR

To configure DDR on an interface, perform the tasks in the following sections. The first five bulleted items are required. The remaining tasks are not required, but might be necessary in your networking environment.

- [Specifying the Interface](#) (Required)

- [Enabling DDR on the Interface](#) (Required)
- [Configuring the Interface to Place Calls](#) (Required)
or
[Configuring the Interface to Receive Calls](#) (Required)
or
[Configuring the Interface to Place and Receive Calls](#) (Required)
- [Defining the Traffic to Be Authenticated](#) (As required)
- [Configuring Access Control for Outgoing Calls](#) (As required)
- [Configuring Access Control for Bridging](#) (As required)
- [Configuring Access Control for Routing](#) (As required)
- [Customizing the Interface Settings](#) (As required)
- [Sending Traffic over Frame Relay, X.25, or LAPB Networks](#) (As required)

You can also monitor DDR connections. See the “[Monitoring DDR Connections](#)” section later in this chapter for commands and other information.

For examples of legacy DDR on a point-to-point connection, see the “[Configuration Examples for Legacy DDR Spoke](#)” section later in this chapter.

Specifying the Interface

This section assumes that you have completed any preparatory steps required for the relevant interface. For example, if you intend to use an asynchronous interface, it assumes that you have completed the modem support and line configuration steps and the chat script creation steps. If you intend to use an ISDN interface, it assumes that you have the ISDN line properly provisioned and running.

You can configure any asynchronous, synchronous serial, ISDN, or dialer interface for legacy DDR.



Note

When you specify an interface, make sure to use the interface numbering scheme supported on the network interface module or other port hardware on the router. On the Cisco 7200 series, for example, you specify an interface by indicating its type, slot number, and port number.

To specify an interface to configure for DDR, use one of the following commands in global configuration mode:

Command	Purpose
<pre>Router(config)# interface async number Router(config)# interface serial number Router(config)# interface bri number</pre>	Specifies an interface to configure for DDR.
<pre>or Router(config)# interface serial slot/port:23 Router(config)# interface serial slot/port:15</pre>	<p>Specifies an ISDN PRI D channel (T1).</p> <p>Specifies an ISDN PRI D channel (E1).</p>
<pre>or Router(config)# interface dialer number</pre>	Specifies a logical interface to function as a dialer rotary group leader.

Dialer interfaces are logical or virtual entities, but they use physical interfaces to place or receive calls.

Enabling DDR on the Interface

This task is required for asynchronous or synchronous serial interfaces but not for ISDN interfaces. The software automatically configures ISDN interfaces to be dialer type ISDN.

This step is not required for ISDN interfaces (BRI interfaces and ISDN PRI D channels) and for *purely passive* interfaces that will receive calls only from interfaces that use DTR dialing.

Enabling DDR on an interface usually requires you to specify the type of dialer to be used. This step is not required for ISDN interfaces because the software automatically configures ISDN interfaces to be dialer type ISDN.

To enable DDR and specify the dialer type, use one of the following commands in global configuration mode:

Command	Purpose
Router(config)# dialer dtr	Enables DDR and configures the specified serial interface to use DTR dialing—for interfaces with non-V.25bis modems using EIA Data Terminal Ready (DTR) signaling.
or	
Router(config)# dialer in-band [no-parity odd-parity]	Enables DDR and configures the specified serial interface to use in-band dialing—for asynchronous interfaces or interfaces using V.25bis modems.



Note

An interface configured with the **dialer in-band** command can both place and receive calls. A serial interface configured for DTR dialing can place calls only; it cannot accept them.

You can optionally specify parity if the modem on this interface uses the V.25bis command set. The 1984 version of the V.25bis specification states that characters must have odd parity. However, the default for the **dialer in-band** command is no parity.

For an example of configuring an interface to support DTR dialing, see the section “[DTR Dialing Example](#)” later in this chapter.

To receive calls from an interface that is using DTR dialing, an interface can be configured for in-band dialing or not configured for anything but encapsulation, depending on the desired behavior. If you expect the receiving interface to terminate a call when no traffic is received for some time, you must configure in-band dialing (along with access lists and a dummy dialer string). If the receiving interface is purely passive, no additional configuration is necessary.



Note

You can configure an interface or dialer rotary group to both place and receive calls. If the interface is calling and being called by a single site, simply enable DDR and specify a dial string.

Configuring the Interface to Place Calls

To configure an interface to place calls to one site only, perform the tasks in one of the following sections:

- [Specifying the Dial String for Synchronous Serial Interfaces](#) (As required)
- [Specifying Chat Scripts and Dial Strings for Asynchronous Serial Interfaces](#) (As required)

Specifying the Dial String for Synchronous Serial Interfaces

If you want to call only one remote system per synchronous serial interface, use the **dialer string** command. Dialers pass the string you have defined to the external DCE device. ISDN devices call the number specified in the string.

To specify the telephone number call on a serial interface (asynchronous or synchronous), use the following command in interface configuration mode:

Command	Purpose
Router(config-if)# dialer string <i>dial-string[:isdn-subaddress]</i>	Specifies the number to dial.

Dialers pass the string (telephone number) to the external DCE device, which dials the number; ISDN devices themselves call the specified number.

Specifying Chat Scripts and Dial Strings for Asynchronous Serial Interfaces

The modem chat script becomes the default chat script for an interface, which means it becomes the default chat script for the **dialer string** and **dialer map** commands presented in this section.

To place a call to a single site on an asynchronous line for which either a modem dialing script has not been assigned or a system script login must be specified, use the following command in interface configuration mode:

Command	Purpose
Router(config-if)# dialer map <i>protocol next-hop-address</i> [modem-script <i>modem-regexp</i>] [system-script <i>system-regexp</i>] <i>dial-string</i> [: <i>isdn-subaddress</i>]	Specifies chat scripts and a dial string.

Refer to the sections “How To Configure Chat Scripts” and “Dialer Mapping Example” in the chapter “Creating and Using Modem Chat Scripts” for more information about configuring chat scripts.

Configuring the Interface to Receive Calls

If you enable DDR on an interface by using the **dialer in-band** command, the interface can receive calls. No additional configuration steps are required simply to receive calls. Parity is not required for receiving calls only. An interface configured with the **dialer in-band** command can terminate calls when the line is idle for some configurable time.

You cannot set up an ISDN interface only to receive calls from a single site, but you can set it up to receive and place calls to a single site.

To receive calls from an interface that is using DTR dialing, an interface can be configured for in-band dialing or not configured for anything but encapsulation, depending on the desired behavior. If you expect the receiving interface to terminate a call when no traffic is received for some time, you must configure in-band dialing (along with access lists and a dummy dialer string). If the receiving interface is purely passive, no additional configuration is necessary.

Authentication is not required when traffic comes from only one site. However, you can configure authentication for security. See the “[Defining the Traffic to Be Authenticated](#)” section. If you want to receive calls *only*, do not provide a dial string in the **dialer map** command shown in that section.

Configuring the Interface to Place and Receive Calls

If you enable DDR on an interface by using the **dialer in-band** command, the interface can receive calls. To enable it to place calls to one site, you must define the dialing destination.

To define the dialing destination, use the following command in interface configuration mode:

Command	Purpose
Router(config-if)# dialer string <i>dial-string[:isdn-subaddress]</i>	Specifies the number to dial one site.



Note

Use the **dialer map** command instead of the **dialer string** command if you want to authenticate calls received. See the section “[Defining the Traffic to Be Authenticated](#)” later in this chapter for more information.

When a dialer string is configured but PPP Challenge Handshake Authentication Protocol (CHAP) is not configured on the interface, the Cisco IOS software recognizes each incoming call as coming from the configured dialer string. That is, if your outgoing calls go to only one number and you do not authenticate incoming calls, it is assumed that all incoming calls come from that number. (If you received calls from multiple sites, you would need to authenticate the calls.)

Authentication is not required when traffic comes from only one site. However, you can configure authentication for an extra measure of security. See the following section, “[Defining the Traffic to Be Authenticated](#),” for more information. If you want to receive and place calls, use the **dialer map** command.

Defining the Traffic to Be Authenticated

Authentication can be done through CHAP or Password Authentication Protocol (PAP). In addition, the interface must be configured to map the protocol address of the host to the name to use for authenticating the remote host.

To enable CHAP or PAP on an interface and authenticate sites that are calling in, use the following commands in interface configuration mode:

	Command	Purpose
Step 1	Router(config-if)# encapsulation ppp	Configures an interface for PPP encapsulation.
Step 2	Router(config-if)# ppp authentication chap [if-needed] or	Enables CHAP.
	Router(config-if)# ppp authentication pap [if-needed]	Enables PAP.
Step 3	Router(config-if)# dialer map protocol <i>next-hop-address name hostname</i> [modem-script <i>modem-regex</i>] [system-script <i>system-regex</i>] [<i>dial-string[:isdn-subaddress]</i>]	Maps the protocol address to a host name.

If the dial string is not provided in the chat script, the interface will be able to receive calls from the host but will not be able to place calls to the host.

Configuring Access Control for Outgoing Calls

Protocol access lists and dialer access lists are central to the operation of DDR. In general, access lists are used as the screening criteria for determining when to initiate DDR calls. All packets are tested against the dialer access list. Packets that match a permit entry are deemed *interesting*. Packets that do not match a permit entry or that do match a deny entry are deemed *uninteresting*. When a packet is found to be interesting, either the dialer idle timer is reset (if the line is active) or a connection is attempted (if the line is available but not active). If a tested packet is deemed *uninteresting*, it will be forwarded if it is intended for a destination known to be on a specific interface and the link is active. However, such a packet will not initiate a DDR call and will not reset the idle timer.

Configuring Access Control for Bridging

You can control access by defining any transparent bridge packet as *interesting*, or you can use the finer granularity of controlling access by Ethernet type codes. To control access for DDR bridging, perform one of the following tasks in global configuration mode:

- [Controlling Bridging Access by Ethernet Type Codes](#) (As required)
- [Permitting All Bridge Packets to Trigger Calls](#) (As required)
- [Assigning the Interface to a Bridge Group](#) (As required)



Note

Spanning-tree bridge protocol data units (BPDUs) are always treated as *uninteresting*.

Controlling Bridging Access by Ethernet Type Codes

To control access by Ethernet type codes, use the following command in global configuration mode:

Command	Purpose
Router(config)# access-list <i>access-list-number</i> { permit deny } <i>type-code</i> [<i>mask</i>]	Identifies <i>interesting</i> packets by Ethernet type codes (access list numbers must be in the range 200 to 299).

To enable packets with a specified Ethernet type code to trigger outgoing calls, use the following command in interface configuration mode:

Command	Purpose
Router(config-if)# dialer-list <i>dialer-group</i> protocol bridge list <i>access-list-number</i>	Defines a dialer list for the specified access list.

For a table of some common Ethernet types codes, see the “Ethernet Types Codes” appendix in the *Cisco IOS Bridging and IBM Networking Command Reference*.

Permitting All Bridge Packets to Trigger Calls

To identify all transparent bridge packets as interesting, use the following command in interface configuration mode when you are configuring DDR:

Command	Purpose
Router(config-if)# dialer-list <i>dialer-group</i> protocol bridge permit	Defines a dialer list that treats all transparent bridge packets as <i>interesting</i> .

Assigning the Interface to a Bridge Group

Packets are bridged only among interfaces that belong to the same bridge group. To assign an interface to a bridge group, use the following command in interface configuration mode:

Command	Purpose
Router(config-if)# bridge-group <i>bridge-group</i>	Assigns the specified interface to a bridge group.

Configuring Access Control for Routing

Before you perform the tasks outlined in this section, configure access lists for the protocols you intend to route over DDR as described briefly in the chapter “Preparing to Configure DDR” in this publication, and as described in greater detail in the appropriate network protocol configuration guide (for example, the *Cisco IOS AppleTalk and Novell IPX Configuration Guide*).

An interface can be associated only with a single dialer access group; multiple dialer access group assignments are not allowed. To specify the dialer access group to which you want to assign an access list, use the following command in interface configuration mode:

Command	Purpose
Router(config-if)# dialer-group <i>group-number</i>	Specifies the number of the dialer access group to which the specific interface belongs.

Customizing the Interface Settings

To customize DDR in your network, perform the tasks in the following sections as needed:

- [Configuring Timers on the DDR Interface](#) (As required)
- [Setting Dialer Interface Priority](#) (As required)
- [Configuring a Dialer Hold Queue](#) (As required)
- [Configuring Bandwidth on Demand](#) (As required)
- [Disabling and Reenabling DDR Fast Switching](#) (As required)
- [Configuring Dialer Redial Options](#) (As required)

Configuring Timers on the DDR Interface

To set the timers, perform the tasks in the following sections as needed:

- [Setting Line-Idle Time](#) (As required)
- [Setting Idle Time for Busy Interfaces](#) (As required)
- [Setting Line-Down Time](#) (As required)
- [Setting Carrier-Wait Time](#) (As required)

Setting Line-Idle Time

To specify the amount of time for which a line will stay idle before it is disconnected, use the following command in interface configuration mode:

Command	Purpose
Router(config-if)# dialer idle-timeout <i>seconds</i> [inbound either]	Specifies the duration of idle time in seconds after which a line will be disconnected. By default, outbound traffic will reset the dialer idle timer. Adding the either keyword causes both inbound and outbound traffic to reset the timer; adding the inbound keyword causes only inbound traffic to reset the timer.



Note

The **dialer idle-timeout** interface configuration command specifies the duration of time before an idle connection is disconnected. Previously, both inbound and outbound traffic would reset the dialer idle timer; now you can specify that only inbound traffic will reset the dialer idle timer.

Setting Idle Time for Busy Interfaces

The dialer fast idle timer is activated if there is contention for a line. Contention occurs when a line is in use, a packet for a different next hop address is received, and the busy line is required to send the competing packet.

If the line has been idle for the configured amount of time, the current call is disconnected immediately and the new call is placed. If the line has not yet been idle as long as the fast idle timeout period, the packet is dropped because there is no way to get through to the destination. (After the packet is dropped, the fast idle timer remains active and the current call is disconnected as soon as it has been idle for as long as the fast idle timeout.) If, in the meantime, another packet is sent to the currently connected destination, and it is classified as interesting, the fast-idle timer is restarted.

To specify the amount of time for which a line for which there is contention will stay idle before the line is disconnected and the competing call is placed, use the following command in interface configuration mode:

Command	Purpose
Router(config-if)# dialer fast-idle <i>seconds</i>	Sets idle time for high traffic lines.

This command applies to both inbound and outbound calls.

Setting Line-Down Time

To set the length of time for which the interface stays down before it is available to dial again after a line is disconnected or fails, use the following command in interface configuration mode:

Command	Purpose
Router(config-if)# dialer enable-timeout <i>seconds</i>	Sets the interface downtime.

This command applies to both inbound and outbound calls.

Setting Carrier-Wait Time

To set the length of time for which an interface waits for the telephone service (carrier), use the following command in interface configuration mode:

Command	Purpose
Router(config-if)# dialer wait-for-carrier-time <i>seconds</i>	Sets the length of time for which the interface waits for the carrier to come up when a call is placed.

For asynchronous interfaces, this command sets the total time to wait for a call to connect. This time is set to allow for running the chat script.

Setting Dialer Interface Priority

Interface priority indicates which interface in a dialer rotary group will get used first for outgoing calls. You might give one interface a higher priority if it is attached to a faster, more reliable modem. In this way, the higher-priority interface will be used as often as possible.

To assign priority to an interface in a dialer rotary group, use the following command in interface configuration mode:

Command	Purpose
Router(config-if)# dialer priority <i>number</i>	Sets the interface priority in the dialer rotary group.

The range of values for *number* is 0 through 255. Zero is the default value and lowest priority; 255 is the highest priority. This command applies to outgoing calls only.

Configuring a Dialer Hold Queue

Sometimes packets destined for a remote router are discarded because no connection exists. Establishing a connection using an analog modem can take time, during which packets are discarded. However, configuring a dialer hold queue will allow *interesting* outgoing packets to be queued and sent as soon as the modem connection is established.

A dialer hold queue can be configured on any type of dialer, including in-band synchronous, asynchronous, DTR, and ISDN dialers. Also, *hunt group leaders* can be configured with a dialer hold queue. If a hunt group leader (of a rotary dialing group) is configured with a hold queue, all members of the group will be configured with a dialer hold queue and no hold queue of an individual member can be altered.

To establish a dialer hold queue, use the following command in interface configuration mode:

Command	Purpose
Router(config-if)# dialer hold-queue <i>packets</i>	Creates a dialer hold queue and specifies the number of packets to be held in it.

As many as 100 packets can be held in an outgoing dialer hold queue.

Configuring Bandwidth on Demand

You can configure a dialer rotary group to use additional bandwidth by placing additional calls to a single destination if the load for the interface exceeds a specified weighted value. Parallel communication links are established based on traffic load. The number of parallel links that can be established to one location is not limited.

To set the dialer load threshold for bandwidth on demand, use the following command in interface configuration mode:

Command	Purpose
Router(config-if)# dialer load-threshold <i>load</i>	Configures the dialer rotary group to place additional calls to a single destination, as indicated by interface load.

Once multiple links are established, they are still governed by the load threshold. If the total load on all the links falls below the threshold, an idle link will be torn down.

Disabling and Reenabling DDR Fast Switching

Fast switching is enabled by default on all DDR interfaces. When fast switching is enabled or disabled on an ISDN D channel, it is enabled or disabled on all B channels. When fast switching is enabled or disabled on a dialer interface, it is enabled or disabled on all rotary group members but cannot be enabled or disabled on the serial interfaces individually.

Fast switching can be disabled and re-enabled on a protocol-by-protocol basis. To disable fast switching and re-enable it, use one of the following protocol-specific commands in interface configuration mode:

Command	Purpose
Router(config-if)# no ip route-cache	Disables IP fast switching over a DDR interface.
Router(config-if)# ip route cache	Reenables IP fast switching over a DDR interface.
Router(config-if)# no ip route-cache distributed	Disables distributed IP fast switching over a DDR interface. This feature works in Cisco 7500 routers with a Versatile Interface Processor (VIP) card.
Router(config-if)# ip route-cache distributed	Enables distributed IP fast switching over a DDR interface. This feature works in Cisco 7500 routers with a VIP card.
Router(config-if)# no ipx route-cache	Disables IPX fast switching over a DDR interface.
Router(config-if)# ipx route-cache	Reenables IPX fast switching over a DDR interface.

Configuring Dialer Redial Options

By default, the Cisco IOS software generates a single dial attempt for each interesting packet. Dialer redial allows the dialer to be configured to make a maximum number of redial attempts if the first dial-out attempt fails, wait a specific interval between redial attempts, and disable the interface for a specified duration if all redial attempts fail. New dialout attempts will not be initiated if a redial is pending to the same destination.

To configure redial options, use the following commands beginning in global configuration mode:

	Command	Purpose
Step 1	Router(config)# interface dialer	Enters interface configuration mode.
Step 2	Router(config-if)# dialer redial interval <i>time</i> attempts <i>number</i> re-enable <i>disable-time</i>	Configures redial options on the router.

Sending Traffic over Frame Relay, X.25, or LAPB Networks

An interface configured for DDR can send traffic over networks that require Link Access Procedure, Balanced (LAPB), X.25, or Frame Relay encapsulation.

Before Cisco IOS software Release 12.0(6)T, encapsulation techniques such as Frame Relay, HDLC, LAPB-TA, and X.25 could support only one ISDN B-channel connection over the entire link. HDLC and PPP could support multiple B channels, but the entire ISDN link needed to use the same encapsulation. The Dynamic Multiple Encapsulations feature allows incoming calls over ISDN to be assigned encapsulation type based on calling line identification (CLID) or DNIS. With the Dynamic Multiple Encapsulations feature, once CLID binding is completed, the topmost interface is always used for all

configuration and data structures. The ISDN B channel becomes a forwarding device, and the configuration on the D channel is ignored, thereby allowing the different encapsulation types and per-user configurations.

To configure an interface for those networks, perform the tasks in the following sections:

- [Configuring the Interface for Sending Traffic over a Frame Relay Network](#) (As required)
- [Configuring the Interface for Sending Traffic over an X.25 Network](#) (As required)
- [Configuring the Interface for Sending Traffic over a LAPB Network](#) (As required)

Configuring the Interface for Sending Traffic over a Frame Relay Network

Access to Frame Relay networks is now available through dialup connections as well as leased lines. Dialup connectivity allows Frame Relay networks to be extended to sites that do not generate enough traffic to justify leased lines, and also allows a Frame Relay network to back up another network or point-to-point line.

DDR over Frame Relay is supported for synchronous serial and ISDN interfaces and for rotary groups, and is available for in-band, DTR, and ISDN dialers.

Frame Relay supports multiple permanent virtual circuit (PVC) connections over the same serial interface or ISDN B channel, but only one *physical* interface can be used (dialed, connected, and active) in a rotary group or with ISDN.

The Dynamic Multiple Encapsulations feature supports the following Frame Relay features:

- Frame Relay RTP Header Compression (RFC 1889)
- Frame Relay TCP/IP Header Compression
- Legacy DDR over Frame Relay
- Frame Relay Interface/Subinterface Backup

Dynamic multiple encapsulations support at least four Frame Relay PVCs on either dialer interfaces or dialer subinterfaces.



Note

Frame Relay encapsulations in the Dynamic Multiple Encapsulations feature do not support IETF or Cisco Encapsulation for IBM Systems Network Architecture (SNA). Frame Relay for SNA support is not applicable.

Configuration Restrictions

The following restrictions apply to DDR used over Frame Relay:

- Frame Relay is not available for asynchronous dialers.
- The Frame Relay Dynamic Multiple Encapsulations feature does *not* provide bidirectional support.
- With the Dynamic Multiple Encapsulations feature, there is no process switching for Frame Relay packets; these packets are always fast switched.
- Like HDLC, LAPB, and X.25, Frame Relay does not provide authentication. However, ISDN dialers can offer some authentication through the caller ID feature.
- Only one ISDN B channel can be dialed at any one time. When configuring a rotary group, you can use only one serial interface.

Frame Relay subinterfaces work the same on dialup connections as they do on leased lines.

Configuration Overview

No new commands are required to support DDR over Frame Relay. In general, you configure Frame Relay and configure DDR. In general, complete the following tasks to configure an interface for DDR over Frame Relay:

- Specify the interface.
- Specify the protocol identifiers for the interface.

For example, enter the IP address and mask, the IPX network number, and the AppleTalk cable range and zone.

- Configure Frame Relay.

As a minimum, you must enable Frame Relay encapsulation and decide whether you need to do static or dynamic address mapping. If you decide to do dynamic mapping, you need not enter a command because Inverse Address Resolution Protocol is enabled by default. If you decide to do static mapping, you must enter Frame Relay mapping commands.

You can then configure various options as needed for your Frame Relay network topology.

- Configure DDR.

At a minimum, you must decide and configure the interface for outgoing calls only, incoming calls only, or both outgoing and incoming calls.

You can also configure DDR for your routed protocols (as specified in the section “Preparations for Routing or Bridging over DDR” in the chapter “Preparing to Configure DDR” in this publication) and for snapshot routing (as specified in the chapter “Configuring Snapshot Routing” later in this publication). You can also customize DDR interfaces on your router or access server (as described in the section “[Customizing the Interface Settings](#)” in this chapter).

For examples of configuring various interfaces for DDR over Frame Relay, see the section “[Frame Relay Support Example](#)” later in this chapter.

Configuring the Interface for Sending Traffic over an X.25 Network

X.25 interfaces can now be configured to support DDR. Synchronous serial and ISDN interfaces on Cisco routers and access servers can be configured for X.25 addresses, X.25 encapsulation, and mapping of protocol addresses to the X.25 address of a remote host. In-band, DTR, and ISDN dialers can be configured to support X.25 encapsulation, but rotary groups cannot.

Remember that for ISDN interfaces, once CLID binding is completed, the topmost interface is always used for all configuration and data structures. The ISDN B channel becomes a forwarding device, and the configuration on the D channel is ignored, thereby allowing the different encapsulation types and per-user configurations. For X.25 encapsulations, the configurations reside on the dialer profile. The Dynamic Multiple Encapsulations feature provides support for packet assembler/disassembler (PAD) traffic and X.25 encapsulated and switched packets.

To configure an interface to support X.25 and DDR, use the following X.25-specific commands in interface configuration mode:

	Command	Purpose
Step 1	Router(config-if)# encapsulation x25 [dte dce] [ietf]	Configures the interface to use X.25 encapsulation.

	Command	Purpose
Step 2	Router(config-if)# x25 address <i>x.121-address</i>	Assigns an X.25 address to the interface.
Step 3	Router(config-if)# x25 map <i>protocol address</i> [<i>protocol2 address2</i> [...[<i>protocol9 address9</i>]]] <i>x.121-address</i> [<i>option</i>]	Sets up the LAN protocols-to-remote host address mapping.

The order of DDR and X.25 configuration tasks is not critical; you can configure DDR before or after X.25, and you can even mix the DDR and X.25 commands.

For an example of configuring an interface for X.25 encapsulation and then completing the DDR configuration, see the section “[X.25 Support Example](#)” later in this chapter.

Configuring the Interface for Sending Traffic over a LAPB Network

DDR over serial lines now supports LAPB encapsulation, in addition to the previously supported PPP, HDLC, and X.25 encapsulations.

LAPB encapsulation is supported on synchronous serial, ISDN, and dialer rotary group interfaces, but not on asynchronous dialers.

Because the default encapsulation is HDLC, you must explicitly configure LAPB encapsulation. To configure an interface to support LAPB encapsulation and DDR, use the following command in interface configuration mode:

Command	Purpose
Router(config-if)# encapsulation lapb [<i>dte</i> <i>dce</i>] [<i>multi</i> <i>protocol</i>]	Specifies LAPB encapsulation.

For more information about the serial connections on which LAPB encapsulation is appropriate, refer to the **encapsulation lapb** command in the chapter “X.25 and LAPB Commands” in the *Cisco IOS Wide-Area Networking Command Reference*.

For an example of configuring an interface for DDR over LAPB, see the section “[LAPB Support Example](#)” later in this chapter.

Monitoring DDR Connections

To monitor DDR connections, use any of the following commands in privileged EXEC mode:

Command	Purpose
Router# show dialer [<i>interface type number</i>]	Displays general diagnostics about the DDR interface.
Router# show dialer map	Displays current dialer maps, next-hop protocol addresses, user names, and the interfaces on which they are configured.
Router# show interfaces bri 0	Displays information about the ISDN interface.
Router# show ipx interface [<i>type number</i>]	Displays status about the IPX interface.
Router# show ipx traffic	Displays information about the IPX packets sent by the router or access server, including watchdog counters.

Command	Purpose
Router# show appletalk traffic	Displays information about the AppleTalk packets sent by the router or access server.
Router# show vines traffic	Displays information about the Banyan VINES packets sent by the router or access server.
Router# show decnet traffic	Displays information about the DECnet packets sent by the router or access server.
Router# show xns traffic	Displays information about the XNS packets sent by the router or access server.
Router# clear dialer	Clears the values of the general diagnostic statistics.

Configuration Examples for Legacy DDR Spoke

The following section provides various DDR configurations examples:

- [Legacy Dial-on-Demand Routing Example](#)
- [Transparent Bridging over DDR Examples](#)
- [DDR Configuration in an IP Environment Example](#)
- [Two-Way DDR for Novell IPX Example](#)
- [AppleTalk Configuration Example](#)
- [DECnet Configuration Example](#)
- [ISO CLNS Configuration Example](#)
- [XNS Configuration Example](#)
- [Single Site Dialing Example](#)
- [DTR Dialing Example](#)
- [Hub-and-Spoke DDR for Asynchronous Interfaces and Authentication Example](#)
- [Two-Way Reciprocal Client/Server DDR Without Authentication Example](#)
- [Frame Relay Support Example](#)
- [X.25 Support Example](#)
- [LAPB Support Example](#)

Legacy Dial-on-Demand Routing Example

The following example shows a Cisco 2600 series router that has enabled the **dialer idle-timeout** command with the **inbound** keyword. This command allows only inbound traffic that conforms to the dialer list to establish a connection and reset the dialer idle timer.

```
interface BRI0/0
 ip address 10.1.1.1 255.255.255.0
 no ip directed-broadcast
 encapsulation ppp
 dialer idle-timeout 120 inbound
 dialer map ip 10.1.1.2 name 2611-7 0201
 dialer-group 1
```

```

    isdn switch-type basic-5ess
    no cdp enable
    ppp authentication chap
!
    ip classless
    ip route 10.2.1.1 255.255.255.255 10.1.1.2
!
access-list 101 permit icmp any any
access-list 101 deny ip any any
dialer-list 1 protocol ip list 101
tftp-server flash c2600-i-mz.jtong-CSCdm88145-120

```

Transparent Bridging over DDR Examples

The following two examples differ only in the packets that cause calls to be placed. The first example specifies by protocol (any bridge packet is permitted to cause a call to be made); the second example allows a finer granularity by specifying the Ethernet type codes of bridge packets.

The first example configures the serial 1 interface for DDR bridging. Any bridge packet is permitted to cause a call to be placed.

```

no ip routing
!
interface Serial1
    no ip address
    encapsulation ppp
    dialer in-band
    dialer enable-timeout 3
    dialer map bridge name urk broadcast 8985
    dialer hold-queue 10
    dialer-group 1
    ppp authentication chap
    bridge-group 1
    pulse-time 1
!
dialer-list 1 protocol bridge permit
bridge 1 protocol ieee
bridge 1 hello 10

```

The second example also configures the serial 1 interface for DDR bridging. However, this example includes an **access-list** command that specifies the Ethernet type codes that can cause calls to be placed and a **dialer list protocol list** command that refers to the specified access list.

```

no ip routing
!
interface Serial1
    no ip address
    encapsulation ppp
    dialer in-band
    dialer enable-timeout 3
    dialer map bridge name urk broadcast 8985
    dialer hold-queue 10
    dialer-group 1
    ppp authentication chap
    bridge-group 1
    pulse-time 1
!
access-list 200 permit 0x0800 0xFFFF8
!
dialer-list 1 protocol bridge list 200
bridge 1 protocol ieee

```

```
bridge 1 hello 10
```

DDR Configuration in an IP Environment Example

The following example illustrates how to use DDR on an synchronous interface in an IP environment. You could use the same configuration on an asynchronous serial interface by changing *interface serial 1* to specify an asynchronous interface (for example, *interface async 0*).

```
interface serial 1
ip address 172.18.126.1 255.255.255.0
dialer in-band
! The next command sets the dialer idle time-out to 10 minutes.
dialer idle-timeout 600
! The next command inserts the phone number.
dialer string 5551234
! The next command gives the modem enough time to recognize that
! DTR has dropped so the modem disconnects the call.
pulse-time 1
! The next command adds this interface to the dialer access group defined with
! the dialer-list command.
dialer-group 1
!
! The first access list statement, below, specifies that IGRP updates are not
! interesting packets. The second access-list statement specifies that all
! other IP traffic such as Ping, Telnet, or any other IP packet are interesting
! packets. The dialer-list command then creates dialer access group 1 and states
! that access list 101 is to be used to classify packets as interesting or
! uninteresting. The ip route commands specify that there is a route to network
! 172.18.29.0 and to network 172.18.1.0 via 131.108.126.2. This means that several
! destination networks are available through a router that is dialed from interface
! async 1.
!
access-list 101 deny igmp 0.0.0.0 255.255.255.255 255.255.255.255 0.0.0.0
access-list 101 permit ip 0.0.0.0 255.255.255.255 0.0.0.0 255.255.255.255
dialer-list 1 list 101
ip route 172.18.29.0 172.18.126.2
ip route 172.18.1.0 172.18.126.2
ip local pool dialin 10.102.126.2 10.102.126.254
```

With many modems, the **pulse-time** command must be used so that DTR is dropped for enough time to allow the modem to disconnect.

The **redistribute static** command can be used to advertise static route information for DDR applications. Refer to the **redistribute static ip** command, described in the chapter “IP Routing Commands” of the *Cisco IOS IP Command Reference*. Without this command, static routes to the hosts or network that the router can access with DDR will not be advertised to other routers with which the router is communicating. This behavior can block communication because some routes will not be known.

Two-Way DDR for Novell IPX Example

You can set DDR for Novell IPX so that both the client and server have dial-in access to each other. This configuration is demonstrated in the following two subsections.

Remote Configuration Example

The following example is performed on the remote side of the connection:


```

username local password secret
ipx routing
!
interface ethernet 0
  ipx network 40
!
interface async
  ip unnumbered e0
  encapsulation ppp
  async mode dedicated
  async dynamic routing
  ipx network 45
  ipx watchdog-spoof
  dialer in-band
  dialer map ipx 45.0000.0cff.d016 broadcast name local 1212
  dialer-group 1
  ppp authentication chap
!
access-list 901 deny 0 FFFFFFFF 452
access-list 901 deny 0 FFFFFFFF 453
access-list 901 deny 0 FFFFFFFF 457
access-list 901 deny 0 FFFFFFFF 0 FFFFFFFF 452
access-list 901 deny 0 FFFFFFFF 0 FFFFFFFF 453
access-list 901 deny 0 FFFFFFFF 0 FFFFFFFF 457
access-list 901 permit 0
ipx route 41 45.0000.0cff.d016
ipx route 50 45.0000.0cff.d016
ipx sap 4 SERVER 50.0000.0000.0001 451 2
chat-script generic ABORT BUSY ABORT NO ## AT OK ATDT\T TIMEOUT 30 CONNECT
!
dialer-list 1 list 901
!
line 7
  modem InOut
  speed 38400
  flowcontrol hardware
  modem chat-script generic

```

Local Configuration Example

The following example is performed on the local side of the connection:

```

username remote password secret
ipx routing
!
interface ethernet 0
  ipx network 41
!
interface async
  ip unnumbered e0
  encapsulation ppp
  async mode dedicated
  async dynamic routing
  ipx network 45
  ipx watchdog-spoof
  dialer in-band
  dialer map ipx 45.0000.0cff.d016 broadcast name remote 8888
  dialer-group 1
  ppp authentication chap
!
access-list 901 deny 0 FFFFFFFF 452
access-list 901 deny 0 FFFFFFFF 453
access-list 901 deny 0 FFFFFFFF 457

```

```

access-list 901 deny 0 FFFFFFFF 0 FFFFFFFF 452
access-list 901 deny 0 FFFFFFFF 0 FFFFFFFF 453
access-list 901 deny 0 FFFFFFFF 0 FFFFFFFF 457
access-list 901 permit 0
ipx route 40 45.0000.0cff.d016
chat-script generic ABORT BUSY ABORT NO ## AT OK ATDT\T TIMEOUT 30 CONNECT
!
dialer-list 1 list 901
!
line 7
modem InOut
speed 38400
flowcontrol hardware
modem chat-script generic

```

AppleTalk Configuration Example

The following example configures DDR for AppleTalk access using an ISDN BRI. Two access lists are defined: one for IP and Interior Gateway Routing Protocol (IGRP) and one for AppleTalk. AppleTalk packets from network 2141 only (except broadcast packets) can initiate calls.

```

interface BRI0
ip address 172.17.20.107 255.255.255.0
encapsulation ppp
appletalk cable-range 2141-2141 2141.65
appletalk zone SCruz-Eng
no appletalk send-rtmps
dialer map ip 172.17.20.106 broadcast 1879
dialer map appletalk 2141.66 broadcast 1879
dialer-group 1
!
access-list 101 deny igrp 0.0.0.0 255.255.255.255 255.255.255.255 0.0.0.0
access-list 101 permit ip 0.0.0.0 255.255.255.255 0.0.0.0 255.255.255.255
access-list 601 permit cable-range 2141-2141 broadcast-deny
access-list 601 deny other-access
!
dialer-list 1 list 101
dialer-list 1 list 601

```

DECnet Configuration Example

The following example configures DDR for DECnet:

```

decnet routing 10.19
username RouterB password 7 030752180531
interface serial 0
no ip address
decnet cost 10
encapsulation ppp
dialer in-band
dialer map decnet 10.151 name RouterB broadcast 4155551212
dialer-group 1
ppp authentication chap
pulse-time 1
access-list 301 permit 10.0 0.1023 0.0 63.1023
dialer-list 1 protocol decnet list 301

```

ISO CLNS Configuration Example

The following example configures a router for International Organization for Standardization Connectionless Network Service (ISO CLNS) DDR with in-band dialing:

```
username RouterB password 7 111C140B0E
clns net 47.0004.0001.0000.0c00.2222.00
clns routing
clns filter-set ddrline permit 47.0004.0001....
!
interface serial 0
no ip address
encapsulation ppp
dialer in-band
dialer map clns 47.0004.0001.0000.0c00.1111.00 name RouterB broadcast 1212
dialer-group 1
ppp authentication chap
clns enable
pulse-time 1
!
clns route default serial 0
dialer-list 1 protocol clns list ddrline
```

XNS Configuration Example

The following example configures DDR for XNS. The access lists deny broadcast traffic to any host on any network, but allow all other traffic.

```
xns routing 0000.0c01.d8dd

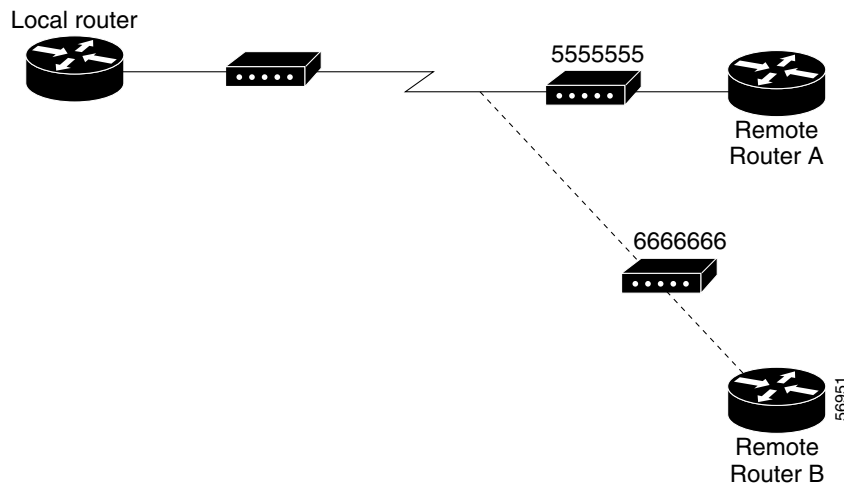
username RouterB password 7 111B210A0F

interface serial 0
no ip address
encapsulation ppp
xns network 10
dialer in-band
dialer map xns 10.0000.0c01.d877 name RouterB broadcast 4155551212
dialer-group 1
ppp authentication chap
pulse-time 1
!
access-list 400 deny -1 -1.ffff.ffff.ffff 0000.0000.0000
access-list 400 permit -1 10
!
dialer-list 1 protocol xns list 400
```

Single Site Dialing Example

The following example is based on the configuration shown in [Figure 1](#); the router receives a packet with a next hop address of 10.1.1.1.

Figure 1 Sample Dialer String or Dialer Map Configuration



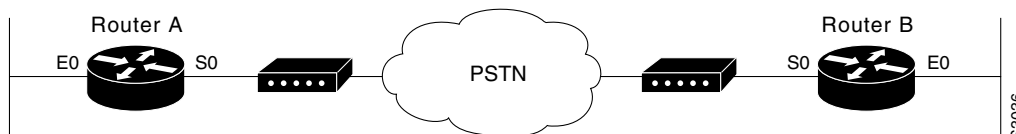
If the single site called by the DDR spoke interface on your router has the phone number 5555555, it will send the packet to that site, assuming that the next hop address 10.1.1.1 indicates the same remote device as phone number 5555555. The **dialer string** command is used to specify the string (telephone number) to be called.

```
interface serial 1
  dialer in-band
  dialer string 5555555
```

DTR Dialing Example

The following example shows Router A and Router B connected to a Public Switched Telephone Network (PSTN). Router A is configured for DTR dialing. Remote Router B is configured for in-band dialing so it can disconnect an idle call. (See [Figure 2](#).)

Figure 2 DTR Dialing Through a PSTN



Router A

```
interface serial 0
  ip address 172.18.170.19 255.255.255.0
  dialer dtr
  dialer-group 1
  !
  access-list 101 deny igmp 0.0.0.0 255.255.255.255 0.0.0.0 255.255.255.255
  access-list 101 permit ip 0.0.0.0 255.255.255.255 0.0.0.0 255.255.255.255
  !
  dialer-list 1 list 101
```

Router B

```
interface serial 0
```

```

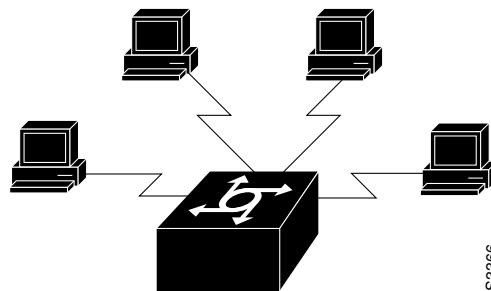
ip address 172.18.170.20 255.255.255.0
dialer in-band
dialer string 9876543
pulse-time 1
!
access-list 101 deny igrp 0.0.0.0 255.255.255.255 0.0.0.0 255.255.255.255
access-list 101 permit ip 0.0.0.0 255.255.255.255 0.0.0.0 255.255.255.255
!
dialer-list 1 list 101

```

Hub-and-Spoke DDR for Asynchronous Interfaces and Authentication Example

The following example sets up DDR to provide service to multiple remote sites. In a hub-and-spoke configuration, you can use a generic configuration script to set up each remote connection. [Figure 3](#) illustrates a typical hub-and-spoke configuration.

Figure 3 Hub-and-Spoke DDR Configuration



Commands in the following sections are used to create this configuration.

Spoke Topology Configuration

The following commands are executed on the spoke side of the connection. (A different “spoke” password must be specified for each remote client.) The configuration provides authentication by identifying a password that must be provided on each end of the connection.

```

interface ethernet 0
 ip address 172.30.44.1 255.255.255.0
!
interface async 7
 async mode dedicated
 async default ip address 172.30.45.1
 ip address 172.30.45.2 255.255.255.0
 encapsulation ppp
 ppp authentication chap
 dialer in-band
 dialer map ip 172.30.45.1 name hub system-script hub 1234
 dialer map ip 172.30.45.255 name hub system-script hub 1234
 dialer-group 1
!
ip route 172.30.43.0 255.255.255.0 172.30.45.1
ip default-network 172.30.0.0
chat-script generic ABORT BUSY ABORT NO ## AT OK ATDT\T TIMEOUT 30 CONNECT
chat-script hub "" "" name: spokel word: <spokel-passwd> PPP
dialer-list 1 protocol ip permit

```

```

!
username hub password <spoke1-passwd>
!
router igrp 109
 network 172.30.0.0
 passive-interface async 7
!
line 7
 modem InOut
 speed 38400
 flowcontrol hardware
 modem chat-script generic

```

Hub Router Configuration

The following commands are executed on the local side of the connection—the hub router. The commands configure the server for communication with three clients and provide authentication by identifying a unique password for each “spoke” in the hub-and-spoke configuration.

```

interface ethernet 0
 ip address 172.30.43.1 255.255.255.0
!
interface async 7
 async mode interactive
 async dynamic address
 dialer rotary-group 1
!
interface async 8
 async mode interactive
 async dynamic address
 dialer rotary-group 1
!
interface dialer 1
 ip address 172.30.45.2 255.255.255.0
 no ip split-horizon
 encapsulation ppp
 ppp authentication chap
 dialer in-band
 dialer map ip 172.30.45.2 name spoke1 3333
 dialer map ip 172.30.45.2 name spoke2 4444
 dialer map ip 172.30.45.2 name spoke3 5555
 dialer map ip 172.30.45.255 name spoke1 3333
 dialer map ip 172.30.45.255 name spoke2 4444
 dialer map ip 172.30.45.255 name spoke3 5555
 dialer-group 1
!
ip route 172.30.44.0 255.255.255.0 172.30.45.2
ip route 172.30.44.0 255.255.255.0 172.30.45.3
ip route 172.30.44.0 255.255.255.0 172.30.45.4
dialer-list 1 list 101
 access-list 101 deny igrp 0.0.0.0 255.255.255.255 0.0.0.0 255.255.255.255
 access-list 101 permit ip 0.0.0.0 255.255.255.255 0.0.0.0 255.255.255.255
 chat-script generic ABORT BUSY ABORT NO ## AT OK ATDT\T TIMEOUT 30 CONNECT
!
username spokel password <spoke1-passwd>
username spoke2 password <spoke2-passwd>
username spoke3 password <spoke3-passwd>
username spokel autocommand ppp 172.30.45.2
username spoke2 autocommand ppp 172.30.45.3
username spoke3 autocommand ppp 172.30.45.4
!
router igrp 109

```

```

network 172.30.0.0
redistribute static
!
line 7
login tacacs
modem InOut
speed 38400
flowcontrol hardware
modem chat-script generic

```

Two-Way Reciprocal Client/Server DDR Without Authentication Example

You can set up two-way reciprocal DDR without authentication in which both the client and server have dial-in access to each other. This configuration is demonstrated in the following two sections.

Remote Configuration

The following commands are executed on the remote side of the connection. This configuration provides authentication by identifying a password that must be provided on each end of the connection.

```

interface ethernet 0
 ip address 172.30.44.1 255.255.255.0
!
interface async 7
 ip address 172.30.45.2 255.255.255.0
 async mode dedicated
 async default ip address 172.30.45.1
 encaps ppp
 dialer in-band
 dialer string 1234
 dialer-group 1
!
ip route 172.30.43.0 255.255.255.0 async 7
 ip default-network 172.30.0.0
 chat-script generic ABORT BUSY ABORT NO ## AT OK ATDT\T TIMEOUT 30 CONNECT
 dialer-list 1 protocol ip permit
!
line 7
 no exec
 modem InOut
 speed 38400
 flowcontrol hardware
 modem chat-script generic

```

Local Configuration

The following commands are executed on the local side of the connection. As with the remote side configuration, this configuration provides authentication by identifying a password for each end of the connection.

```

interface ethernet 0
 ip address 172.30.43.1 255.255.255.0
!
interface async 7
 async mode dedicated
 async default ip address 172.30.45.2
 encapsulation ppp
 dialer in-band
 dialer string 1235

```

```

dialer rotary-group 1
!
interface async 8
  async mode dedicated
  async default ip address 172.30.45.2
  dialer rotary-group 1
!
ip route 172.30.44.0 255.255.255.0 async 7
ip address 172.30.45.2 255.255.255.0
encapsulation ppp
ppp authentication chap
dialer in-band
dialer map ip 172.30.45.2 name remote 4321
dialer load-threshold 80
!
ip route 172.30.44.0 255.255.255.0 128.150.45.2
chat-script generic ABORT BUSY ABORT NO ## AT OK ATDT\T TIMEOUT 30 CONNECT
dialer-list 1 protocol ip permit
!
route igrp 109
network 172.30.0.0
redistribute static
passive-interface async 7
!
line 7
  modem InOut
  speed 38400
  flowcontrol hardware
  modem chat-script generic

```

Frame Relay Support Example

The examples in this section present various combinations of interfaces, Frame Relay features, and DDR features.

Frame Relay Access with In-Band Dialing (V.25*bis*) and Static Mapping Example

The following example shows how to configure a router for IP over Frame Relay using in-band dialing. A Frame Relay static map is used to associate the next hop protocol address to the data-link connection identifier (DLCI). The dialer string allows dialing to only one destination.

```

interface Serial0
  ip address 10.1.1.1 255.255.255.0
  encapsulation frame-relay
  frame-relay map ip 10.1.1.2 100 broadcast
  dialer in-band
  dialer string 4155551212
  dialer-group 1
!
access-list 101 deny igrp any host 255.255.255.255
access-list 101 permit ip any any
!
dialer-list 1 protocol ip list 101

```


Frame Relay Access with ISDN Dialing and DDR Dynamic Maps Example

The following example shows a BRI interface configured for Frame Relay and for IP, IPX, and AppleTalk routing. No static maps are defined because this setup relies on Frame Relay Local Management Interface (LMI) signaling and Inverse ARP to determine the network addresses-to-DLCI mappings dynamically. (Because Frame Relay Inverse ARP is enabled by default, no command is required.)

```
interface BRI0
 ip address 10.1.1.1 255.255.255.0
 ipx network 100
 appletalk cable-range 100-100 100.1
 appletalk zone ISDN
 no appletalk send-rtmps
 encapsulation frame-relay IETF
 dialer map ip 10.1.1.2 broadcast 4155551212
 dialer map apple 100.2 broadcast 4155551212
 dialer map ipx 100.0000.0c05.33ed broadcast 4085551234
 dialer-group 1
!
access-list 101 deny igrp any host 255.255.255.255
access-list 101 permit ip any any
access-list 901 deny -1 FFFFFFFF 452
access-list 901 deny -1 FFFFFFFF 453
access-list 901 deny -1 FFFFFFFF 457
access-list 901 deny -1 FFFFFFFF 0 FFFFFFFF 452
access-list 901 deny -1 FFFFFFFF 0 FFFFFFFF 453
access-list 901 deny -1 FFFFFFFF 0 FFFFFFFF 457
access-list 901 permit -1
access-list 601 permit cable-range 100-100 broadcast-deny
access-list 601 deny other-access
!
dialer-list 1 protocol ip list 101
dialer-list 1 protocol novell list 901
dialer-list 1 protocol apple list 601
```

X.25 Support Example

The following example configures a router to support X.25 and DTR dialing:

```
interface serial 0
 ip address 172.18.170.19 255.255.255.0
 encapsulation x25
 x25 address 12345
 x25 map ip 172.18.171.20 67890 broadcast
 dialer dtr
 dialer-group 1
!
access-list 101 deny igrp 0.0.0.0 255.255.255.255 0.0.0.0 255.255.255.255
access-list 101 permit ip 0.0.0.0 255.255.255.255 0.0.0.0 255.255.255.255
!
dialer-list 1 list 101
```

LAPB Support Example

The following example configures a router for LAPB encapsulation and in-band dialing:

```
interface serial 0
```

```
ip address 172.18.170.19 255.255.255.0
encapsulation lapb
dialer in-band
dialer string 4155551212
dialer-group 1
!
access-list 101 deny igrp 0.0.0.0 255.255.255.255 0.0.0.0 255.255.255.255
access-list 101 permit ip 0.0.0.0 255.255.255.255 0.0.0.0 255.255.255.255
!
dialer-list 1 protocol ip list 101
```

Cisco and the Cisco Logo are trademarks of Cisco Systems, Inc. and/or its affiliates in the U.S. and other countries. A listing of Cisco's trademarks can be found at www.cisco.com/go/trademarks. Third party trademarks mentioned are the property of their respective owners. The use of the word partner does not imply a partnership relationship between Cisco and any other company. (1005R)

Any Internet Protocol (IP) addresses and phone numbers used in this document are not intended to be actual addresses and phone numbers. Any examples, command display output, network topology diagrams, and other figures included in the document are shown for illustrative purposes only. Any use of actual IP addresses or phone numbers in illustrative content is unintentional and coincidental.

© 2001-2009 Cisco Systems, Inc. All rights reserved.



Configuring Legacy DDR Hubs

This chapter describes how to configure legacy dial-on-demand routing (DDR) on interfaces functioning as the hub in a hub-and-spoke network topology. It includes the following main sections:

- [DDR Issues](#)
- [DDR Hubs Configuration Task Flow](#)
- [How to Configure DDR](#)
- [Monitoring DDR Connections](#)
- [Configuration Examples for Legacy DDR Hub](#)

This chapter considers a *hub* interface to be any interface that calls or receives calls from more than one other router and considers a *spoke* interface to be an interface that calls or receives calls from exactly one router.

For configuration tasks for the spoke interfaces in a hub-and-spoke network topology, see the chapter “Configuring Legacy DDR Spokes” in this publication.

For information about the dialer profiles implementation of DDR, see the chapter “Configuring Peer-to-Peer DDR with Dialer Profiles” in this publication.

To identify the hardware platform or software image information associated with a feature, use the Feature Navigator on Cisco.com to search for information about the feature or refer to the software release notes for a specific release. For more information, see the “Identifying Supported Platforms” section in the “Using Cisco IOS Software” chapter.

For a complete description of the DDR commands in this chapter, see the [Cisco IOS Dial Technologies Command Reference](#), Release 12.2. To locate documentation of other commands that appear in this chapter, use the command reference master index or search online.

DDR Issues

A DDR configuration applies to a specified router interface but serves to meet the communication needs of the network. The router configured for DDR has a function to serve in preserving communications and ensuring that routes are known to other routers at both ends of the dial link. Thus, these issues are important:

- Types and number of router interfaces to be configured for DDR.



- Function of each specific interface—to place calls, receive calls, or both—and the number of sites connecting to the interface.
- Identity and characteristics of the router at the other end of each connection—phone number, host name, next hop network protocol addresses, type of signaling used or required, ability to place or receive calls, other requirements.
- Types of packets that will be allowed to trigger outgoing calls—if the interface places calls.
- End of the connection that will control the communication: initiating calls and terminating calls when the line is idle.
- Method for authenticating other routers—if the interface receives calls from multiple sites.
- Passing routing information across the dial link.

DDR Hubs Configuration Task Flow

Before you configure DDR, make sure you have completed the preparations for bridging or routing as described in the chapter “Preparing to Configure DDR” in this publication. That chapter provides information about the minimal requirements. For detailed information about bridging, routing, and wide-area networking configurations, see the appropriate chapters in other volumes of this documentation set.

When you configure DDR on a hub interface in a hub-and-spoke topology, you perform the following general steps:

-
- Step 1** Specify the interface that will place calls to or receive calls from multiple sites. (See the chapter “Configuring Legacy DDR Spokes” in this publication for information about configuring an interface to place calls to or receive calls from one site only.)
 - Step 2** Enable DDR on the interface. This step is not required for some interfaces; for example, ISDN interfaces and passive interfaces that receive only from data terminal ready (DTR)-dialing interfaces.
 - Step 3** Configure the interface to receive calls only, if applicable. Receiving calls from multiple sites requires each inbound call to be authenticated.
 - Step 4** Configure the interface to place calls only, if applicable.
 - Step 5** Configure the interface to place and receive calls, if applicable.
 - Step 6** If the interface will place calls, specify access control for the following:
 - Transparent bridging—Assign the interface to a bridge group, and define dialer lists associated with the bridging access lists. The interface switches between members of the same bridge group, and dialer lists specify which packets can trigger calls.
 - or
 - Routed protocols—Define dialer lists associated with the protocol access lists to specify which packets can trigger calls.

Step 7 Customize the interface settings (timers, interface priority, hold queues, bandwidth on demand, and disabling fast switching) as needed.

When you have configured the interface and it is operational, you can monitor its performance and its connections as described in the “[Monitoring DDR Connections](#)” section later in this chapter.

You can also enhance DDR by configuring Multilink PPP and configuring PPP callback. The PPP configuration tasks are described in the chapter “Configuring Media-Independent PPP and Multilink PPP” in this publication.

See the section “[Configuration Examples for Legacy DDR Hub](#)” at the end of this chapter for examples of how to configure DDR on your network.

How to Configure DDR

To configure DDR on an interface, perform the tasks in the following sections. The first five bulleted items are required. The remaining tasks are not absolutely required, but might be necessary in your networking environment.

- [Specifying the Interface](#) (Required)
- [Enabling DDR on the Interface](#) (Required)
- [Configuring the Interface to Place Calls Only](#) (Required)
or
[Configuring the Interface to Receive Calls Only](#) (Required)
or
[Configuring the Interface to Place and Receive Calls](#) (Required)
- [Configuring Access Control for Outgoing Calls](#) (As required)
- [Customizing the Interface Settings](#) (As required)
- [Sending Traffic over Frame Relay, X.25, or LAPB Networks](#) (As required)

See the section “[Monitoring DDR Connections](#)” later in this chapter for commands and other information about monitoring DDR connections. See the section “[Configuration Examples for Legacy DDR Hub](#)” at the end of this chapter for ideas about how to implement DDR in your network.

Specifying the Interface



Note

You can configure any asynchronous, synchronous serial, ISDN, or dialer interface for legacy DDR.

When you specify an interface, make sure to use the interface numbering scheme supported on the network interface module or other port hardware on the router. On the Cisco 7200 series router, for example, you specify an interface by indicating its type, slot number, and port number.

To specify an interface to configure for DDR, use one of the following commands in global configuration mode:

Command	Purpose
Router(config)# interface async <i>number</i> Router(config)# interface serial <i>number</i> Router(config)# interface bri <i>number</i> or Router(config)# interface serial <i>slot/port:23</i> Router(config)# interface serial <i>slot/port:15</i> or Router(config)# interface dialer <i>number</i>	Specifies an interface to configure for DDR. Specifies an ISDN PRI D channel (T1). Specifies an ISDN PRI D channel (E1). Specifies a logical interface to function as a dialer rotary group leader.

Dialer interfaces are logical or virtual entities, but they use physical interfaces to place or receive calls.

Enabling DDR on the Interface

This task is required for asynchronous serial, synchronous serial, and logical dialer interfaces.

This task is not required for ISDN interfaces (BRI interfaces and ISDN PRI D channels) and for *purely passive* interfaces that will receive calls only from interfaces that use DTR dialing.

Enabling DDR on an interface usually requires you to specify the type of dialer to be used. This task is not required for ISDN interfaces because the software automatically configures ISDN interfaces to be dialer type ISDN.

To enable DDR on the interface, use the following command in interface configuration mode:

Command	Purpose
Router(config-if)# dialer in-band [no-parity odd-parity]	Enables DDR on an asynchronous interface or a synchronous serial interface using <i>V.25bis</i> modems.

You can optionally specify parity if the modem on this interface uses the *V.25bis* command set. The 1984 version of the *V.25bis* specification states that characters must have odd parity. However, the default for the **dialer in-band** command is no parity.

Configuring the Interface to Place Calls Only

To configure an interface to place calls to multiple destinations, perform the following tasks. The first task is required for all interface types. The second task is required only if you specified a dialer interface.

- [Defining the Dialing Destination](#) (Required)
- [Specifying a Physical Interface to Use and Assigning It to a Dialer Rotary Group](#) (As required)

Defining the Dialing Destination

For calling multiple sites, an interface or dialer rotary group must be configured to map each next hop protocol address to the dial string (some form of a telephone number) used to reach it.

To define each dialing destination, use one of the following commands in interface configuration mode:

Command	Purpose
Router(config-if)# dialer map <i>protocol</i> <i>next-hop-address dial-string[:isdn-subaddress]</i>	Defines a dialing destination for a synchronous serial interface or a dialer interface.
Router(config-if)# dialer map <i>protocol</i> <i>next-hop-address [spc] [speed 56 64] [broadcast]</i> <i>[dial-string[:isdn-subaddress]]</i>	Defines a dialing destination for an ISDN interface (including an ISDN PRI D channel).
Router(config-if)# dialer map <i>protocol</i> <i>next-hop-address [modem-script modem-regexp]</i> [system-script <i>system-regexp</i> <i>dial-string[:isdn-subaddress]</i>	Defines a dialing destination for an asynchronous interface. If a modem dialing chat script has not been assigned to the line or a system login chat script must be specified, defines both a dialing destination and the chat scripts to use.

Repeat this task as many times as needed to ensure that all dialing destinations are reachable via some next hop address and dialed number.

If you intend to send traffic over other types of networks, see one of the following sections later in this chapter: “[Configuring the Interface for Sending Traffic over a Frame Relay Network](#),” “[Configuring the Interface for Sending Traffic over an X.25 Network](#),” or “[Configuring the Interface for Sending Traffic over a LAPB Network](#).”

Specifying a Physical Interface to Use and Assigning It to a Dialer Rotary Group

This section applies only if you specified a dialer interface to configure for DDR.

To assign a physical interface to a dialer rotary group, use the following commands beginning in global configuration mode:

	Command	Purpose
Step 1	Router(config)# interface <i>serial number</i> or Router(config)# interface <i>async number</i>	Specifies a physical interface to use and begins interface configuration mode.
Step 2	Router(config-if)# dialer rotary-group <i>number</i>	Assigns the specified physical interface to a dialer rotary group.

Repeat these two steps for each physical interface to be used by the dialer interface.

An ISDN BRI is a rotary group of B channels. An ISDN interface can be part of a rotary group comprising other interfaces (synchronous, asynchronous, ISDN BRI, or ISDN PRI). However, Cisco supports at most one level of recursion; that is, a rotary of rotaries is acceptable, but a rotary of rotaries of rotaries is not supported.

Interfaces in a dialer rotary group do not have individual addresses; when the interface is being used for dialing, it inherits the parameters configured for the dialer interface. However, if the individual interface is configured with an address and it is subsequently used to establish a connection from the user EXEC level, the individual interface address again applies.

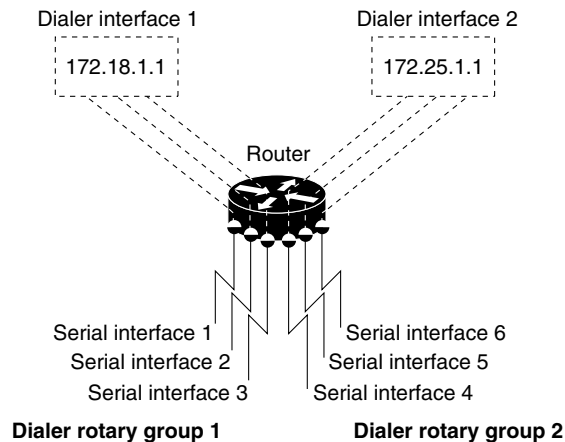


Note

When you look at your configuration file, commands will not appear in the order in which you entered them. You will also see interface configuration commands that you did not enter, because each interface assigned to a dialer rotary group inherits the parameters of the dialer interface in the dialer rotary group.

Figure 1 illustrates how dialer interfaces work. In this configuration, serial interfaces 1, 2, and 3 are assigned to dialer rotary group 1 and thereby take on the parameters configured for dialer interface 1. When it is used for dialing, the IP address of serial interface 2 is the same as the address of the dialer interface, 172.18.1.1.

Figure 1 *Sample Dialer Interface Configuration*



54733

Configuring the Interface to Receive Calls Only

Once DDR is enabled on an asynchronous serial, synchronous serial, and ISDN interface, the interface can receive calls from multiple sites using one line or multiple lines. However, interfaces that receive calls from multiple sites require authentication of the remote sites. In addition, dialer interfaces require at least one physical interface to be specified and added to the dialer rotary group. The tasks in the following sections describe how to configuration authentication:

- [Configuring the Interface for TACACS+](#)
- or
- [Configuring the Interface for PPP Authentication](#)
- [Specifying Physical Interfaces and Assigning Them to the Dialer Rotary Group](#)

Configuring the Interface for TACACS+

To configure TACACS as an alternative to host authentication, use one of the following commands in interface configuration mode:

Command	Purpose
Router(config-if)# ppp use-tacacs [<i>single-line</i>] or Router(config-if)# aaa authentication ppp	Configures TACACS.

Use the **ppp use-tacacs** command with TACACS and extended TACACS. Use the **aaa authentication ppp** command with authentication, authorization, and accounting (AAA)/TACACS+.

Configuring the Interface for PPP Authentication

This section specifies the minimum required configuration for PPP Challenge Handshake Authentication Protocol (CHAP) or Password Authentication Protocol (PAP) authentication. For more detailed information, see the chapter “Configuring Media-Independent PPP and Multilink PPP” in this publication.

To use CHAP or PAP authentication, perform the following steps beginning in interface configuration mode:



Note

After you have enabled one of these protocols, the local router or access server requires authentication of the remote devices that are calling. If the remote device does not support the enabled authentication protocol, no traffic will be passed to that device.

1. For CHAP, configure host name authentication and the secret or password for each remote system with which authentication is required.
2. Map the protocol address to the name of the host calling in.

To enable PPP encapsulation, use the following commands beginning in interface configuration mode:

	Command	Purpose
Step 1	Router(config-if)# encapsulation ppp	Enables PPP on an interface.
Step 2	Router(config-if)# ppp authentication chap [<i>if-needed</i>] or Router(config-if)# ppp authentication pap	Enables CHAP on an interface. Enables PAP on an interface.
Step 3	Router(config-if)# dialer map <i>protocol</i> <i>next-hop-address</i> name <i>hostname</i>	For any host calling in to the local router or access server, maps its host name (case-sensitive) to the next hop address used to reach it. Repeat this step for each host calling in to this interface.

	Command	Purpose
Step 4	Router(config-if)# exit	Returns to global configuration mode.
Step 5	Router(config)# username <i>name</i> [user-maxlinks <i>link-number</i>] password <i>secret</i>	Specifies the password to be used in CHAP caller identification. Optionally, you can specify the maximum number of connections a user can establish. To use the user-maxlinks keyword, you must also use the aaa authorization network default local command, and PPP encapsulation and name authentication on all the interfaces the user will be accessing. Repeat this step to add a username entry for each remote system from which the local router or access server requires authentication.

Specifying Physical Interfaces and Assigning Them to the Dialer Rotary Group

To assign a physical interface to a dialer rotary group, use the following commands beginning in global configuration mode:

	Command	Purpose
Step 1	Router(config)# interface <i>serial number</i> or Router(config)# interface <i>async number</i>	Specifies a physical interface to use and begins interface configuration mode.
Step 2	Router(config-if)# dialer rotary-group <i>number</i>	Assigns the specified physical interface to a dialer rotary group.

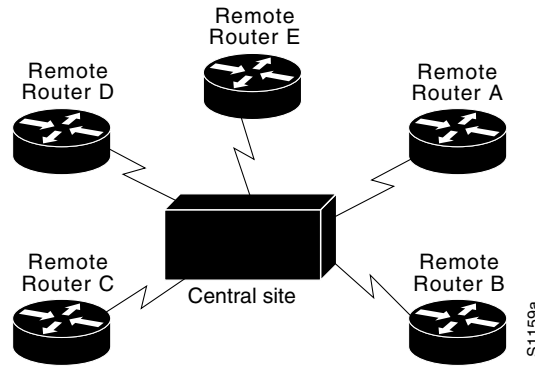
Repeat these two steps for each physical interface to be used by the dialer interface.

Configuring the Interface to Place and Receive Calls

You can configure an physical interface or dialer interface to both place and receive calls. For placing calls, the interface must be configured to map each next hop address to the telephone number to dial. For receiving calls from multiple sites, the interface must be configured to authenticate callers.

Figure 2 shows a configuration in which the central site is calling and receiving calls from multiple sites. In this configuration, multiple sites are calling in to a central site, and the central site might be calling one or more of the remote sites.

Figure 2 Hub-and-Spoke Configuration Using DDR



To configure a single line, multiple lines, or a dialer interface to place calls to and receive calls from multiple sites, perform the tasks in the following section:

- [Defining One or More Dialing Destinations](#)
- [Defining the Traffic to Be Authenticated](#)

If you intend to send traffic over other types of networks, see one of the following sections later in this chapter: [“Configuring the Interface for Sending Traffic over a Frame Relay Network,”](#) [“Configuring the Interface for Sending Traffic over an X.25 Network,”](#) or [“Configuring the Interface for Sending Traffic over a LAPB Network.”](#)

Defining One or More Dialing Destinations

For calling multiple sites, an interface or dialer rotary group must be configured to map each next hop protocol address to the dial string (some form of a telephone number) used to reach it.

To define each dialing destination, use one of the following commands in interface configuration mode:

Command	Purpose
Router(config-if)# dialer string <i>dial-string[:isdn-subaddress]</i>	Defines only one dialing destination (used to configure one phone number on multiple lines only).
Router(config-if)# dialer map protocol <i>next-hop-address dial-string[:isdn-subaddress]</i>	Defines one of several dialing destinations for a synchronous serial interface or a dialer interface.
Router(config-if)# dialer map protocol <i>next-hop-address [spc]</i> <i>[speed 56 64] [broadcast]</i> <i>[dial-string[:isdn-subaddress]]</i>	Defines one of several dialing destinations for an ISDN interface (including an ISDN PRI D channel).
Router(config-if)# dialer map protocol <i>next-hop-address [modem-script modem-regexp]</i> <i>[system-script system-regexp]</i> <i>dial-string[:isdn-subaddress]</i>	Defines one of several dialing destinations for an asynchronous interface. If a modem dialing chat script has not been assigned to the line or a system login chat script must be specified, define both a dialing destination and the chat scripts to use.

Repeat this task as many times as needed to ensure that all dialing destinations are reachable via some next hop address and dialed number.

Defining the Traffic to Be Authenticated

Calls from the multiple sites must be authenticated. Authentication can be done through CHAP or PAP. In addition, the interface must be configured to map the protocol address of a host to the name to use for authenticating the remote host.

To enable CHAP or PAP on an interface and authenticate sites that are calling in, use the following commands in interface configuration mode:

	Command	Purpose
Step 1	Router(config-if)# encapsulation ppp	Configures an interface for PPP encapsulation.
Step 2	Router(config-if)# ppp authentication chap [if-needed]	Enables CHAP.
	or Router(config-if)# ppp authentication pap [if-needed]	Enables PAP.
Step 3	Router(config-if)# dialer map protocol next-hop-address name hostname [modem-script modem-regex] [system-script system-regex] [dial-string[:isdn-subaddress]]	Maps the protocol address to a host name.

If the dial string is not used, the interface will be able to receive calls from the host, but will not be able to place calls to the host.

Repeat this task for each site from which the router will receive calls.

Configuring Access Control for Outgoing Calls

Protocol access lists and dialer access lists are central to the operation of DDR. In general, access lists are used as the screening criteria for determining when to initiate DDR calls. All packets are tested against the dialer access list. Packets that match a permit entry are deemed *interesting* or *packets of interest*. Packets that do not match a permit entry or that do match a deny entry are deemed *uninteresting*. When a packet is found to be interesting, either the dialer idle timer is reset (if the line is active) or a connection is attempted (assuming the line is available but not active). If a tested packet is deemed *uninteresting*, it will be forwarded if it is intended for a destination known to be on a specific interface and the link is active. However, such a packet will not initiate a DDR call and will not reset the idle timer.

Configuring Access Control for Bridging

When you completed preparations for bridging over DDR, you entered global access lists to specify the protocol packets to be permitted or denied, and global dialer lists to specify which access list to use and which dialer group will place the outgoing calls.

Now you must tie those global lists to an interface configured for DDR. You do this by assigning selected interfaces to a bridge group. Because packets are bridged only among interfaces that belong to the same bridge group, you need to assign this interface and others to the same bridge group.

To assign an interface to a bridge group, use the following command in interface configuration mode:

Command	Purpose
Router(config-if)# bridge-group <i>bridge-group</i>	Assigns the specified interface to a bridge group.

For examples of bridging over DDR, see the “[Transparent Bridging over DDR Examples](#)” section later in this chapter.

Configuring Access Control for Routing

Before you perform the tasks outlined in this section, you should have completed the preparations for routing a protocol over DDR as described briefly in the chapter “Preparing to Configure DDR” in this publication and as described in greater detail in the appropriate network protocols configuration guide (for example, the *Cisco IOS AppleTalk and Novell IPX Configuration Guide*).

An interface can be associated only with a single dialer access group; multiple dialer access group assignments are not allowed. To specify the dialer access group to which you want to assign an access list, use the following command in interface configuration mode:

Command	Purpose
Router(config-if)# dialer-group <i>group-number</i>	Specifies the number of the dialer access group to which the specific interface belongs.

Customizing the Interface Settings

To customize DDR in your network, perform the tasks in the following sections as needed:

- [Configuring Timers on the DDR Interface](#) (As required)
- [Setting Dialer Interface Priority](#) (As required)
- [Configuring a Dialer Hold Queue](#) (As required)
- [Configuring Bandwidth on Demand](#) (As required)
- [Disabling and Reenabling DDR Fast Switching](#) (As required)
- [Configuring Dialer Redial Options](#) (As required)

Configuring Timers on the DDR Interface

To configure DDR interface timers, perform the tasks in the following sections as needed:

- [Setting Line-Idle Time](#) (As required)
- [Setting Idle Time for Busy Interfaces](#) (As required)
- [Setting Line-Down Time](#) (As required)
- [Setting Carrier-Wait Time](#) (As required)

Setting Line-Idle Time

To specify the amount of time for which a line will stay idle before it is disconnected, use the following command in interface configuration mode:

Command	Purpose
Router(config-if)# dialer idle-timeout <i>seconds</i>	Sets line-idle time.

Setting Idle Time for Busy Interfaces

The dialer fast idle timer is activated if there is contention for a line. Contention occurs when a line is in use, a packet for a different next hop address is received, and the busy line is required to send the competing packet.

If the line has been idle for the configured amount of time, the current call is disconnected immediately and the new call is placed. If the line has not yet been idle as long as the fast idle timeout period, the packet is dropped because the destination is unreachable. (After the packet is dropped, the fast idle timer remains active and the current call is disconnected as soon as it has been idle for as long as the fast idle timeout). If, in the meantime, another packet is sent to the currently connected destination, and it is classified as interesting, the fast-idle timer is restarted.

To specify the amount of time for which a line for which there is contention will stay idle before the line is disconnected and the competing call is placed, use the following command in interface configuration mode:

Command	Purpose
Router(config-if)# dialer fast-idle <i>seconds</i>	Sets idle time for high traffic lines.

This command applies to both inbound and outbound calls.

Setting Line-Down Time

To set the length of time for which the interface stays down before it is available to dial again after a line is disconnected or fails, use the following command in interface configuration mode:

Command	Purpose
Router(config-if)# dialer enable-timeout <i>seconds</i>	Sets the interface downtime.

This command applies to both inbound and outbound calls.

Setting Carrier-Wait Time

To set the length of time for which an interface waits for the telephone service (carrier), use the following command in interface configuration mode:

Command	Purpose
Router(config-if)# dialer wait-for-carrier-time <i>seconds</i>	Sets the length of for which time the interface waits for the carrier to come up when a call is placed.

For asynchronous interfaces, this command sets the total time to wait for a call to connect. This time is set to allow for running the chat script.

Setting Dialer Interface Priority

You can assign dialer priority to an interface. Priority indicates which interface in a dialer rotary group will get used first. To assign priority to a dialer interface, use the following command in interface configuration mode:

Command	Purpose
Router(config-if)# dialer priority <i>number</i>	Specifies which dialer interfaces will be used first.

For example, you might give one interface in a dialer rotary group higher priority than another if it is attached to a faster, more reliable modem. In this way, the higher-priority interface will be used as often as possible.

The range of values for *number* is 0 through 255. Zero is the default value and lowest priority; 255 is the highest priority. This command applies to outgoing calls only.

Configuring a Dialer Hold Queue

Sometimes packets destined for a remote router are discarded because no connection exists. Establishing a connection using an analog modem can take time, during which packets are discarded. However, configuring a dialer hold queue will allow *interesting* outgoing packets to be queued and sent as soon as the modem connection is established.

A dialer hold queue can be configured on any type of dialer, including in-band synchronous, asynchronous, DTR, and ISDN dialers. Also, *hunt group leaders* can be configured with a dialer hold queue. If a hunt group leader (of a rotary dialing group) is configured with a hold queue, all members of the group will be configured with a dialer hold queue and no hold queue for an individual member can be altered.

To establish a dialer hold queue, use the following command in interface configuration mode:

Command	Purpose
Router(config-if)# dialer hold-queue <i>packets</i>	Creates a dialer hold queue and specifies the number of packets to be held in it.

As many as 100 packets can be held in an outgoing dialer hold queue.

Configuring Bandwidth on Demand

You can configure a dialer rotary group to use additional bandwidth by placing additional calls to a single destination if the load for the interface exceeds a specified weighted value. Parallel communication links are established based on traffic load. The number of parallel links that can be established to one location is not limited.

To set the dialer load threshold for bandwidth on demand, use the following command in interface configuration mode:

Command	Purpose
Router(config-if)# dialer load-threshold <i>load</i>	Configures the dialer rotary group to place additional calls to a destination, as indicated by interface load.

Once multiple links are established, they are still governed by the load threshold. If the total load falls below the threshold, an idle link will be torn down.

Disabling and Reenabling DDR Fast Switching

Fast switching is enabled by default on all DDR interfaces. When fast switching is enabled or disabled on an ISDN D channel, it is enabled or disabled on all B channels. When fast switching is enabled or disabled on a dialer interface, it is enabled or disabled on all rotary group members but cannot be enabled or disabled on the serial interfaces individually.

Fast switching can be disabled and re-enabled on a protocol-by-protocol basis. To disable fast switching and re-enable it, use one of the following protocol-specific commands in interface configuration mode:

Command	Purpose
Router(config-if)# no ip route-cache	Disables IP fast switching over a DDR interface.
Router(config-if)# ip route cache	Reenables IP fast switching over a DDR interface.
Router(config-if)# no ip route-cache distributed	Disables distributed IP fast switching over a DDR interface. This feature works in Cisco 7500 routers with a Versatile Interface Processor (VIP) card.
Router(config-if)# ip route-cache distributed	Enables distributed IP fast switching over a DDR interface. This feature works in Cisco 7500 routers with a VIP card.
Router(config-if)# no ipx route-cache	Disables IPX fast switching over a DDR interface.
Router(config-if)# ipx route-cache	Reenables IPX fast switching over a DDR interface.

Configuring Dialer Redial Options

By default, the Cisco IOS software generates a single dial attempt for each interesting packet. Dialer redial allows the dialer to be configured to make a maximum number of redial attempts if the first dial-out attempt fails, wait a specific interval between redial attempts, and disable the interface for a specified duration if all redial attempts fail. New dialout attempts will not be initiated if a redial is pending to the same destination.

To configure redial options, use the following commands beginning in global configuration mode:

	Command	Purpose
Step 1	Router(config)# interface dialer	Enters interface configuration mode.
Step 2	Router(config-if)# dialer redial interval <i>time</i> attempts <i>number</i> re-enable <i>disable-time</i>	Configures redial options on the router.

Sending Traffic over Frame Relay, X.25, or LAPB Networks

An interface configured for DDR can send traffic over networks that require Link Access Procedure, Balanced (LAPB), X.25, or Frame Relay encapsulation.

Before Cisco IOS software Release 12.0(6)T, encapsulation techniques such as Frame Relay, High-Level Data Link Control (HDLC), LAPB-TA, and X.25 could support only one ISDN B-channel connection over the entire link. HDLC and PPP could support multiple B channels, but the entire ISDN link needed to use the same encapsulation. Dynamic multiple encapsulations allow incoming calls over ISDN to be assigned encapsulation type based on calling line identification (CLID) or Dialed Number Identification Service (DNIS). With dynamic multiple encapsulations, once CLID binding is completed, the topmost interface is always used for all configuration and data structures. The ISDN B channel becomes a forwarding device, and the configuration on the D channel is ignored, thereby allowing the different encapsulation types and per-user configurations.

To configure an interface for those networks, perform the tasks in the following sections:

- [Configuring the Interface for Sending Traffic over a Frame Relay Network](#) (As Required)
- [Configuring the Interface for Sending Traffic over an X.25 Network](#) (As Required)
- [Configuring the Interface for Sending Traffic over a LAPB Network](#) (As Required)

Configuring the Interface for Sending Traffic over a Frame Relay Network

Access to Frame Relay networks is now available through dialup connections and leased lines. Dialup connectivity allows Frame Relay networks to be extended to sites that do not generate enough traffic to justify leased lines, and also allows a Frame Relay network to back up another network or point-to-point line.

DDR over Frame Relay is supported for synchronous serial and ISDN interfaces and for rotary groups, and is available for in-band, DTR, and ISDN dialers.

Frame Relay supports multiple permanent virtual circuit (PVC) connections over the same serial interface or ISDN B channel, but only one *physical* interface can be used (dialed, connected, and active) in a rotary group or with ISDN.

Dynamic multiple encapsulations support the following Frame Relay features:

- Frame Relay RTP Header Compression (RFC 1889)
- Frame Relay TCP/IP Header Compression
- Legacy DDR over Frame Relay
- Frame Relay Interface/Subinterface Backup

Dynamic multiple encapsulations support at least four Frame Relay PVCs on either dialer interfaces or dialer subinterfaces.

**Note**

Frame Relay encapsulations in the dynamic multiple encapsulations feature do not support IETF or Cisco Encapsulation for IBM Systems Network Architecture (SNA). Frame Relay for SNA support is not applicable.

Configuration Restrictions

The following restrictions apply to DDR used over Frame Relay:

- Frame Relay is not available for asynchronous dialers.

- The Frame Relay dynamic multiple encapsulations does *not* provide bidirectional support.
- With the dynamic multiple encapsulations, there is no process switching for Frame Relay packets; these packets are always fast switched.
- Like HDLC, LAPB, X.25 and Frame Relay do not provide authentication. However, ISDN dialers can offer some authentication through the caller ID feature.
- Only one ISDN B channel can be dialed at any one time. When configuring a rotary group, you can use only one serial interface.

**Note**

Frame Relay subinterfaces work the same on dialup connections as they do on leased lines.

Configuration Overview

No new commands are required to support DDR over Frame Relay. In general, you configure Frame Relay and configure DDR. In general, to configure an interface for DDR over Frame Relay, perform the following tasks:

- Specify the interface.
- Specify the protocol identifiers for the interface.

For example, enter the IP address and mask, the IPX network number, and the AppleTalk cable range and zone.

- Configure Frame Relay, as described in the chapter “Configuring Frame Relay” in the *Cisco IOS Wide-Area Networking Configuration Guide*.

As a minimum, you must enable Frame Relay encapsulation and decide whether you need to do static or dynamic address mapping. If you decide to do dynamic mapping, you need not enter a command because Inverse ARP is enabled by default. If you decide to do static mapping, you must enter Frame Relay mapping commands.

You can then configure various options as needed for your Frame Relay network topology.

- Configure DDR.

At a minimum, you must decide and configure the interface for outgoing calls only, incoming calls only, or both outgoing and incoming calls.

You can also configure DDR for your routed protocols (as specified in the chapter “Preparing to Configure DDR”) and for snapshot routing (as specified in the chapter “Configuring Snapshot Routing” later in this publication). You can also customize DDR on your router or access server (as described in the “[Customizing the Interface Settings](#)” section later in this chapter).

For examples of configuring various interfaces for DDR over Frame Relay, see the section “[Frame Relay Support Examples](#)” later in this chapter.

Configuring the Interface for Sending Traffic over an X.25 Network

X.25 interfaces can now be configured to support DDR. Synchronous serial and ISDN interfaces on Cisco routers and access servers can be configured for X.25 addresses, X.25 encapsulation, and mapping of protocol addresses to the X.25 address of a remote host. In-band, DTR, and ISDN dialers can be configured to support X.25 encapsulation, but rotary groups cannot.

Remember that for ISDN interfaces, once CLID binding is completed, the topmost interface is always used for all configuration and data structures. The ISDN B channel becomes a forwarding device, and the configuration on the D channel is ignored, thereby allowing the different encapsulation types and

per-user configurations. For X.25 encapsulations, the configurations reside on the dialer profile. The Dynamic Multiple Encapsulations feature provides support for packet assembler/disassembler (PAD) traffic and X.25 encapsulated and switched packets.

To configure an interface to support X.25 and DDR, use the following X.25-specific commands in interface configuration mode:

	Command	Purpose
Step 1	Router(config-if)# encapsulation x25 [dte dce] [ietf]	Configures the interface to use X.25 encapsulation.
Step 2	Router(config-if)# x25 address x.121-address	Assigns an X.25 address to the interface.
Step 3	Router(config-if)# x25 map protocol address [protocol2 address2 [...[protocol9 address9]]] x.121-address [option]	Sets up the LAN protocols-to-remote host address mapping.

The order of DDR and X.25 configuration tasks is not critical; you can configure DDR before or after X.25, and you can even mix the DDR and X.25 commands.

For an example of configuring an interface for X.25 encapsulation and then completing the DDR configuration, see the section “[X.25 Support Configuration Example](#)” later in this chapter.

Configuring the Interface for Sending Traffic over a LAPB Network

DDR over serial lines now supports LAPB encapsulation, in addition to the previously supported PPP, HDLC, and X.25 encapsulations.

LAPB encapsulation is supported on synchronous serial, ISDN, and dialer rotary group interfaces, but not on asynchronous dialers.

Because the default encapsulation is HDLC, you must explicitly configure LAPB encapsulation. To configure an interface to support LAPB encapsulation and DDR, use the following command in interface configuration mode:

Command	Purpose
Router(config-if)# encapsulation lapb [dte dce] [multi protocol]	Specifies LAPB encapsulation.

For more information about the serial connections on which LAPB encapsulation is appropriate, see the **encapsulation lapb** command in the chapter “X.25 and LAPB Commands” in the *Cisco IOS Wide-Area Networking Command Reference*.

For an example of configuring an interface for DDR over LAPB, see the section “[X.25 Support Configuration Example](#)” later in this chapter.

Monitoring DDR Connections

To monitor DDR connections and snapshot routing, use the following commands in privileged EXEC mode:

Command	Purpose
Router# show dialer [<i>interface type number</i>]	Displays general diagnostics about the DDR interface.
Router# show dialer map	Displays current dialer maps, next-hop protocol addresses, user names, and the interfaces on which they are configured.
Router# show interfaces bri 0	Displays information about the ISDN interface.
Router# show ipx interface [<i>type number</i>]	Displays status about the IPX interface.
Router# show ipx traffic	Displays information about the IPX packets sent by the router or access server, including watchdog counters.
Router# show appletalk traffic	Displays information about the AppleTalk packets sent by the router or access server.
Router# show vines traffic	Displays information about the Banyan VINES packets sent by the router or access server.
Router# show decnet traffic	Displays information about the DECnet packets sent by the router or access server.
Router# show xns traffic	Displays information about the XNS packets sent by the router or access server.
Router# clear dialer	Clears the values of the general diagnostic statistics.

Configuration Examples for Legacy DDR Hub

The following sections provide various DDR configuration examples:

- [Transparent Bridging over DDR Examples](#)
- [DDR Configuration in an IP Environment Example](#)
- [AppleTalk Configuration Example](#)
- [Banyan VINES Configuration Example](#)
- [DECnet Configuration Example](#)
- [ISO CLNS Configuration Example](#)
- [XNS Configuration Example](#)
- [Hub-and-Spoke DDR for Asynchronous Interfaces and Authentication Example](#)
- [Single Site or Multiple Sites Dialing Configuration Example](#)
- [Multiple Destinations Configuration Example](#)
- [Dialer Interfaces and Dialer Rotary Groups Example](#)
- [DDR Configuration Using Dialer Interface and PPP Encapsulation Example](#)
- [Two-Way DDR with Authentication Example](#)
- [Frame Relay Support Examples](#)

- [X.25 Support Configuration Example](#)
- [LAPB Support Configuration Example](#)

Transparent Bridging over DDR Examples

The following two examples differ only in the packets that cause calls to be placed. The first example specifies by protocol (any bridge packet is permitted to cause a call to be made); the second example allows a finer granularity by specifying the Ethernet type codes of bridge packets.

The first example configures serial interface 1 for DDR bridging. Any bridge packet is permitted to cause a call to be placed.

```
no ip routing
!
interface Serial1
 no ip address
 encapsulation ppp
 dialer in-band
 dialer enable-timeout 3
 dialer map bridge name urk broadcast 8985
 dialer hold-queue 10
 dialer-group 1
 ppp authentication chap
 bridge-group 1
 pulse-time 1
!
dialer-list 1 protocol bridge permit
bridge 1 protocol ieee
bridge 1 hello 10
```

The second example also configures the serial interface 1 for DDR bridging. However, this example includes an **access-list** command that specifies the Ethernet type codes that can cause calls to be placed and a **dialer list protocol list** command that refers to the specified access list.

```
no ip routing
!
interface Serial1
 no ip address
 encapsulation ppp
 dialer in-band
 dialer enable-timeout 3
 dialer map bridge name urk broadcast 8985
 dialer hold-queue 10
 dialer-group 1
 ppp authentication chap
 bridge-group 1
 pulse-time 1
!
access-list 200 permit 0x0800 0xFFFF8
!
dialer-list 1 protocol bridge list 200
bridge 1 protocol ieee
bridge 1 hello 10
```

DDR Configuration in an IP Environment Example

The following example shows how to configure DDR to call one site from a synchronous serial interface in an IP environment. You could use the same configuration on an asynchronous serial interface by changing the **interface serial 1** command to specify an asynchronous interface (for example, **interface async 0**).

```
interface serial 1
 ip address 172.18.126.1 255.255.255.0
 dialer in-band
 dialer idle-timeout 600
 dialer string 5551234
 pulse-time 1
! The next command adds this interface to the dialer access group defined with
! the dialer-list command.
 dialer-group 1
!
! The first access list statement, below, specifies that IGRP updates are not
! interesting packets. The second access-list statement specifies that all
! other IP traffic such as Ping, Telnet, or any other IP packet is interesting.
! The dialer-list command then creates dialer access group 1 and states that
! access list 101 is to be used to classify packets as interesting or
! uninteresting. The ip route commands specify that there is a route to network
! 172.18.29.0 and to network 172.18.1.0 via 172.18.126.2. This means that
! several destination networks are available through a router that is dialed
! from interface serial 1.
!
access-list 101 deny igrp 0.0.0.0 255.255.255.255 255.255.255.255 0.0.0.0
access-list 101 permit ip 0.0.0.0 255.255.255.255 0.0.0.0 255.255.255.255
dialer-list 1 list 101
ip route 172.18.29.0 172.18.126.2
ip route 172.18.1.0 172.18.126.2
ip local pool dialin 10.102.126.2 10.102.126.254
```

With many modems, the **pulse-time** command must be used so that DTR is dropped for enough time to allow the modem to disconnect.

AppleTalk Configuration Example

The following example configures DDR for AppleTalk access using an ISDN BRI. Two access lists are defined: one for IP and Interior Gateway Routing Protocol (IGRP) and one for AppleTalk. AppleTalk packets from network 2141 only (except broadcast packets) can initiate calls.

```
interface BRI0
 ip address 172.16.20.107 255.255.255.0
 encapsulation ppp
 appletalk cable-range 2141-2141 2141.65
 appletalk zone SCruz-Eng
 no appletalk send-rtmps
 dialer map ip 172.16.20.106 broadcast 1879
 dialer map appletalk 2141.66 broadcast 1879
 dialer-group 1
!
access-list 101 deny igrp 0.0.0.0 255.255.255.255 255.255.255.255 0.0.0.0
access-list 101 permit ip 0.0.0.0 255.255.255.255 0.0.0.0 255.255.255.255
access-list 601 permit cable-range 2141-2141 broadcast-deny
access-list 601 deny other-access
!
dialer-list 1 list 101
dialer-list 1 list 601
```

Banyan VINES Configuration Example

The following example configures a router for VINES and IP DDR with in-band dialing. The VINES access list does not allow RTP routing updates to place a call, but any other data packet is interesting.

```
vines routing BBBB BBBB:0001
!
hostname RouterA
!
username RouterB password 7 030752180500
username RouterC password 7 00071A150754
!
interface serial 0
 ip address 172.18.170.19 255.255.255.0
 encapsulation ppp
 vines metrics 10
 vines neighbor AAAAAAAA:0001 0
 dialer in-band
 dialer map ip 172.18.170.151 name RouterB broadcast 4155551234
 dialer map vines AAAAAAAA:0001 name RouterC broadcast 4155551212
 dialer-group 1
 ppp authentication chap
 pulse-time 1
!
access-list 101 deny igmp 0.0.0.0 255.255.255.255 0.0.0.0 255.255.255.255
access-list 101 permit ip 0.0.0.0 255.255.255.255 0.0.0.0 255.255.255.255
!
vines access-list 107 deny RTP 00000000:0000 FFFFFFFF:FFFF 00000000:0000 FFFFFFFF:FFFF
vines access-list 107 permit IP 00000000:0000 FFFFFFFF:FFFF 00000000:0000 FFFFFFFF:FFFF
!
dialer-list 1 protocol ip list 101
dialer-list 1 protocol vines list 107
```

DECnet Configuration Example

The following example configures a router for DECnet DDR with in-band dialing:

```
decnet routing 10.19
username RouterB password 7 030752180531
!
interface serial 0
 no ip address
 decnet cost 10
 encapsulation ppp
 dialer in-band
 dialer map decnet 10.151 name RouterB broadcast 4155551212
 dialer-group 1
 ppp authentication chap
 pulse-time 1
!
access-list 301 permit 10.0 0.1023 0.0 63.1023
dialer-list 1 protocol decnet list 301
```

ISO CLNS Configuration Example

The following example configures a router for International Organization for Standardization Connectionless Network Service (ISO CLNS) DDR with in-band dialing:

```
username RouterB password 7 111C140B0E
```

```

clns net 47.0004.0001.0000.0c00.2222.00
clns routing
clns filter-set ddrline permit 47.0004.0001...
!
interface serial 0
no ip address
encapsulation ppp
dialer in-band
dialer map clns 47.0004.0001.0000.0c00.1111.00 name RouterB broadcast 1212
dialer-group 1
ppp authentication chap
clns enable
pulse-time 1
!
clns route default serial 0
dialer-list 1 protocol clns list ddrline

```

XNS Configuration Example

The following example configures a router for XNS DDR with in-band dialing. The access lists deny broadcast traffic to any host on any network, but allow all other traffic.

```

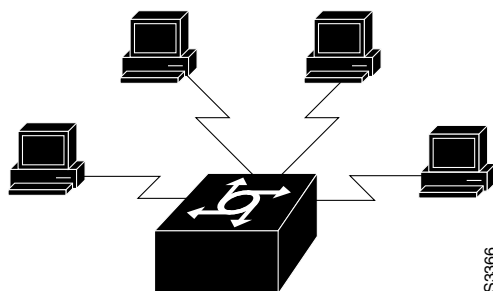
xns routing 0000.0c01.d8dd
username RouterB password 7 111B210A0F
interface serial 0
no ip address
encapsulation ppp
xns network 10
dialer in-band
dialer map xns 10.0000.0c01.d877 name RouterB broadcast 415551212
dialer-group 1
ppp authentication chap
pulse-time 1
access-list 400 deny -1 -1.ffff.ffff.ffff 0000.0000.0000
access-list 400 permit -1 10
dialer-list 1 protocol xns list 400

```

Hub-and-Spoke DDR for Asynchronous Interfaces and Authentication Example

You can set up DDR to provide service to multiple remote sites. In a hub-and-spoke configuration, you can use a generic configuration script to set up each remote connection. [Figure 3](#) illustrates a typical hub-and-spoke configuration.

Figure 3 Hub-and-Spoke DDR Configuration



The examples in the following sections show how to create this configuration.

Spoke Topology Configuration

The following commands are executed on the spoke side of the connection. (A different “spoke” password must be specified for each remote client.) The configuration provides authentication by identifying a password that must be provided on each end of the connection.

```
interface ethernet 0
 ip address 172.30.44.1 255.255.255.0
!
interface async 7
 async mode dedicated
 async default ip address 172.19.45.1
 ip address 172.30.45.2 255.255.255.0
 encapsulation ppp
 ppp authentication chap
 dialer in-band
 dialer map ip 172.30.45.1 name hub system-script hub 1234
 dialer map ip 172.30.45.255 name hub system-script hub 1234
 dialer-group 1
!
ip route 172.30.43.0 255.255.255.0 172.30.45.1
 ip default-network 172.30.0.0
 chat-script generic ABORT BUSY ABORT NO ## AT OK ATDT\T TIMEOUT 30 CONNECT
 chat-script hub "" "" name: spoke1 word" <spoke1-passwd> PPP
 dialer-list 1 protocol ip permit
!
username hub password <spoke1-passwd>
!
router igrp 109
 network 172.30.0.0
 passive-interface async 7
!
line 7
 modem InOut
 speed 38400
 flowcontrol hardware
 modem chat-script generic
```

Hub Router Configuration

The following commands are executed on the local side of the connection—the hub router. The commands configure the server for communication with three clients and provide authentication by identifying a unique password for each “spoke” in the hub-and-spoke configuration.

```
interface ethernet 0
 ip address 172.30.43.1 255.255.255.0
!
interface async 7
 async mode interactive
 async dynamic address
 dialer rotary-group 1
!
interface async 8
 async mode interactive
 async dynamic address
 dialer rotary-group 1
!
interface dialer 1
 ip address 172.30.45.2 255.255.255.0
```

```

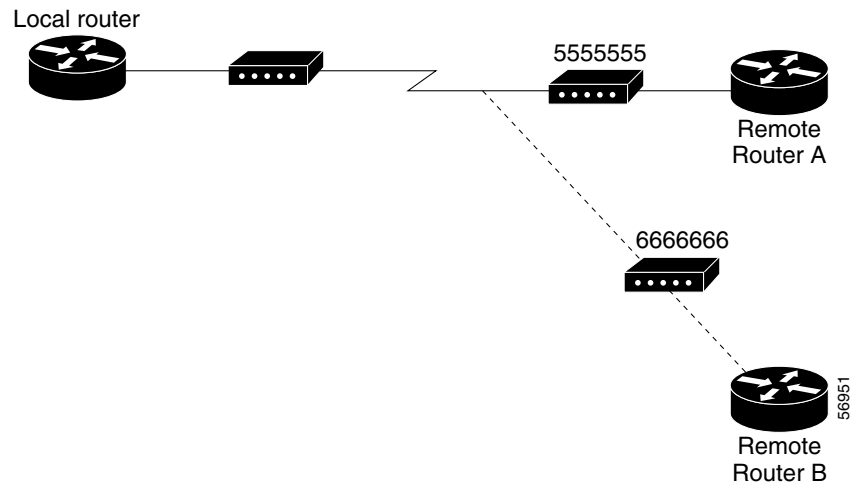
no ip split-horizon
encapsulation ppp
ppp authentication chap
dialer in-band
dialer map ip 172.30.45.2 name spoke1 3333
dialer map ip 172.30.45.2 name spoke2 4444
dialer map ip 172.30.45.2 name spoke3 5555
dialer map ip 172.30.45.255 name spoke1 3333
dialer map ip 172.30.45.255 name spoke2 4444
dialer map ip 172.30.45.255 name spoke3 5555
dialer-group 1
!
ip route 172.30.44.0 255.255.255.0 172.30.45.2
ip route 172.30.44.0 255.255.255.0 172.30.45.3
ip route 172.30.44.0 255.255.255.0 172.30.45.4
dialer-list 1 protocol ip list 101
access-list 101 deny igrp 0.0.0.0 255.255.255.255 0.0.0.0 255.255.255.255
access-list 101 permit ip 0.0.0.0 255.255.255.255 0.0.0.0 255.255.255.255
chat-script generic ABORT BUSY ABORT NO ## AT OK ATDT\T TIMEOUT 30 CONNECT
!
username spokel password <spoke1-passwd>
username spoke2 password <spoke2-passwd>
username spoke3 password <spoke3-passwd>
username spokel autocommand ppp 172.30.45.2
username spoke2 autocommand ppp 172.30.45.3
username spoke3 autocommand ppp 172.30.45.4
!
router igrp 109
network 172.30.0.0
redistribute static
!
line 7
login tacacs
modem InOut
speed 38400
flowcontrol hardware
modem chat-script generic

```

The **redistribute static** command can be used to advertise static route information for DDR applications. Without this command, static routes to the hosts or network that the router can access with DDR will not be advertised to other routers with which the router is communicating. This behavior can block communication because some routes will not be known. See the **redistribute static ip** command, described in the chapter “IP Routing Protocol-Independent Commands” in the *Cisco IOS IP Command Reference, Volume 2 of 3: Routing Protocols*, Release 12.2.

Single Site or Multiple Sites Dialing Configuration Example

The following example is based on the configuration shown in [Figure 4](#); the router receives a packet with a next hop address of 10.1.1.1.

Figure 4 Sample Dialer String or Dialer Map Configuration

If the interface on your router is configured to call a single site with phone number 5555555, it will send the packet to that site, assuming that the next hop address 10.1.1.1 indicates the same remote device as phone number 5555555. The **dialer string** command is used to specify the string (telephone number) to be called.

```
interface serial 1
  dialer in-band
  dialer string 5555555
```

If the interface is configured to dial multiple sites, the interface or dialer rotary group must be configured so that the correct phone number, 5555555, is mapped to the address 10.1.1.1. If this mapping is not configured, the interface or dialer rotary group does not know what phone number to call to deliver the packet to its correct destination, which is the address 10.1.1.1. In this way, a packet with a destination of 10.2.2.2 will not be sent to 5555555. The **dialer map** command is used to map next hop addresses to phone numbers.

```
interface serial 1
  dialer in-band
  dialer map ip 10.1.1.1 5555555
  dialer map ip 10.2.2.2 6666666
```

Multiple Destinations Configuration Example

The following example shows how to specify multiple destination numbers to dial for outgoing calls:

```
interface serial 1
  ip address 172.18.126.1 255.255.255.0
  dialer in-band
  dialer wait-for-carrier-time 100
  pulse-time 1
  dialer-group 1
  dialer map ip 172.18.126.10 5558899
  dialer map ip 172.18.126.15 5555555
  !
access-list 101 deny igrp 0.0.0.0 255.255.255.255 255.255.255.255 0.0.0.0
access-list 101 permit ip 0.0.0.0 255.255.255.255 0.0.0.0 255.255.255.255
dialer-list 1 protocol ip list 101
```

As in the “[DDR Configuration in an IP Environment Example](#)” section, a pulse time is assigned and a dialer access group specified.

The first **dialer map** command specifies that the number 555-8899 is to be dialed for IP packets with a *next-hop-address* value of 172.18.126.10. The second **dialer map** command then specifies that the number 5555555 will be called when an IP packet with a *next-hop-address* value of 172.18.126.15 is detected.

Dialer Interfaces and Dialer Rotary Groups Example

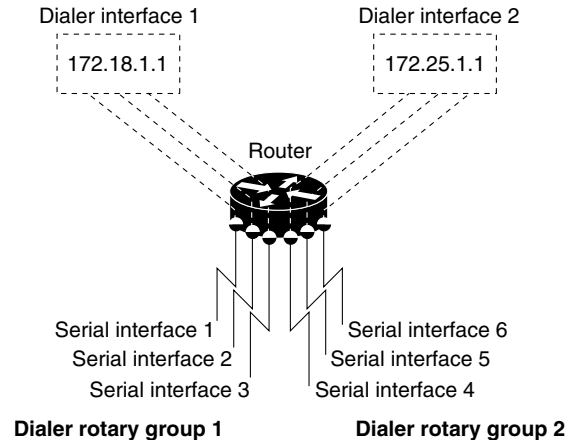
The following configuration places serial interfaces 1 and 2 into dialer rotary group 1, defined by the **interface dialer 1** command:

```
! PPP encapsulation is enabled for interface dialer 1.
interface dialer 1
  encapsulation ppp
  dialer in-band
  ip address 172.18.2.1 255.255.255.0
  ip address 172.18.2.1 255.255.255.0 secondary
  ! The first dialer map command allows remote site YYY and the central site to
  ! call each other. The second dialer map command, with no dialer string, allows
  ! remote site ZZZ to call the central site but the central site cannot call
  ! remote site ZZZ (no phone number).
  !
  dialer map ip 172.18.2.5 name YYY 1415553434
  dialer map ip 172.18.2.55 name ZZZ
  !
  ! The DTR pulse signals for three seconds on the interfaces in dialer group 1.
  ! This holds the DTR low so the modem can recognize that DTR has been dropped.
  pulse-time 3

! Serial interfaces 1 and 2 are placed in dialer rotary group 1. All the
! interface configuration commands (the encapsulation and dialer map commands
! shown earlier in this example) that applied to interface dialer 1 also apply
! to these interfaces.
interface serial 1
  dialer rotary-group 1
interface serial 2
  dialer rotary-group 1
```

DDR Configuration Using Dialer Interface and PPP Encapsulation Example

The following example shows a configuration for XXX, the local router shown in [Figure 5](#). In this example, remote Routers YYY and ZZZ can call Router XXX. Router XXX has dialing information only for Router YYY and cannot call Router ZZZ.

Figure 5 DDR Configuration

54733

Router XXX Configuration

```

username YYY password theirsystem
username ZZZ password thatsystem
4
! Create a dialer interface with PPP encapsulation and CHAP authentication.
interface dialer 1
 ip address 172.18.2.1 255.255.255.0
 ip address 172.24.4.1 255.255.255.0 secondary
 encapsulation ppp
 ppp authentication chap
 dialer in-band
 dialer group 1
! The first dialer map command indicates that calls between the remote site
! YYY and the central site will be placed at either end. The second dialer
! map command, with no dialer string, indicates that remote site ZZZ will call
! the central site but the central site will not call out.
 dialer map ip 172.18.2.5 name YYY 1415553434
 dialer map ip 172.24.4.5 name ZZZ
! The DTR pulse holds the DTR low for three seconds, so the modem can recognize
! that DTR has been dropped.
 pulse-time 3
!
! Place asynchronous serial interfaces 1 and 2 in dialer group 1. The interface commands
! applied to dialer group 1 (for example, PPP encapsulation and CHAP) apply to these
! interfaces.
!
interface async 1
 dialer rotary-group 1
interface async 2
 dialer rotary-group 1

```

Two-Way DDR with Authentication Example

You can set up two-way DDR with authentication in which both the client and server have dial-in access to each other. This configuration is demonstrated in the following two subsections.

Remote Configuration

The following commands are executed on the remote side of the connection. This configuration provides authentication by identifying a password that must be provided on each end of the connection.

```
username local password secret1
username remote password secret2
!
interface ethernet 0
 ip address 172.30.44.1 255.255.255.0
!
interface async 7
 ip address 172.30.45.2 255.255.255.0
 async mode dedicated
 async default ip address 172.30.45.1
 encapsulation ppp
 dialer in-band
 dialer string 1234
 dialer-group 1
!
ip route 172.30.43.0 255.255.255.0 async 7
ip default-network 172.30.0.0
chat-script generic ABORT BUSY ABORT NO ## AT OK ATDT\T TIMEOUT 30 CONNECT
dialer-list 1 protocol ip permit
!
line 7
 no exec
 modem InOut
 speed 38400
 flowcontrol hardware
 modem chat-script generic
```

Local Configuration

The following commands are executed on the local side of the connection. As with the remote side configuration, this configuration provides authentication by identifying a password for each end of the connection.

```
username remote password secret1
username local password secret2
!
interface ethernet 0
 ip address 172.30.43.1 255.255.255.0
!
interface async 7
 async mode dedicated
 async default ip address 172.30.45.2
 dialer rotary-group 1
!
interface async 8
 async mode dedicated
 async default ip address 172.30.45.2
 dialer rotary-group 1
!
interface dialer 1
 ip address 172.30.45.2 255.255.255.0
 encapsulation ppp
 ppp authentication chap
 dialer in-band
 dialer map ip 172.30.45.2 name remote 4321
 dialer load-threshold 80
!
```

```

ip route 172.30.44.0 255.255.255.0 172.30.45.2
chat-script generic ABORT BUSY ABORT NO ## AT OK ATDT\T TIMEOUT 30 CONNECT
!
router igrp 109
 network 172.30.0.0
 redistribute static
 passive-interface async 7
!
line 7
 modem InOut
 speed 38400
 flowcontrol hardware
 modem chat-script generic

```

Frame Relay Support Examples

The examples in this section present various combinations of interfaces, Frame Relay features, and DDR features.

Frame Relay Access with In-Band Dialing and Static Mapping

The following example configures a router for IP over Frame Relay using in-band dialing. A Frame Relay static map is used to associate the next hop protocol address to the DLCI. The dialer string allows dialing to only one destination.

```

interface Serial0
 ip address 10.1.1.1 255.255.255.0
 encapsulation frame-relay
 frame-relay map ip 10.1.1.2 100 broadcast
 dialer in-band
 dialer string 4155551212
 dialer-group 1
!
access-list 101 deny igrp any host 255.255.255.255
access-list 101 permit ip any any
!
dialer-list 1 protocol ip list 101

```

Frame Relay Access with ISDN Dialing and DDR Dynamic Maps

The following example shows a BRI interface configured for Frame Relay and for IP, Internet Protocol Exchange (IPX), and AppleTalk routing. No static maps are defined because this setup relies on Frame Relay Local Management Interface (LMI) signaling and Inverse ARP to determine the network addresses-to-DLCI mappings dynamically. (Because Frame Relay Inverse ARP is enabled by default, no command is required.)

```

interface BRI0
 ip address 10.1.1.1 255.255.255.0
 ipx network 100
 appletalk cable-range 100-100 100.1
 appletalk zone ISDN
 no appletalk send-rtmps
 encapsulation frame-relay IETF
 dialer map ip 10.1.1.2 broadcast 4155551212
 dialer map apple 100.2 broadcast 4155551212
 dialer map ipx 100.0000.0c05.33ed broadcast 4085551234
 dialer-group 1
!

```

```

access-list 101 deny igmp any host 255.255.255.255
access-list 101 permit ip any any
access-list 901 deny -1 FFFFFFFF 452
access-list 901 deny -1 FFFFFFFF 453
access-list 901 deny -1 FFFFFFFF 457
access-list 901 deny -1 FFFFFFFF 0 FFFFFFFF 452
access-list 901 deny -1 FFFFFFFF 0 FFFFFFFF 453
access-list 901 deny -1 FFFFFFFF 0 FFFFFFFF 457
access-list 901 permit -1
access-list 601 permit cable-range 100-100 broadcast-deny
access-list 601 deny other-access
!
dialer-list 1 protocol ip list 101
dialer-list 1 protocol novell list 901
dialer-list 1 protocol apple list 601

```

Frame Relay Access with ISDN Dialing and Subinterfaces

The following example shows a BRI interface configured for Frame Relay and for IP, IPX, and AppleTalk routing. Two logical subnets are used; a point-to-point subinterface and a multipoint subinterface are configured. Frame Relay Annex A (LMI type Q933a) and Inverse ARP are used for dynamic routing.

```

interface BRI0
  no ip address
  encapsulation frame-relay
  dialer string 4155551212
  dialer-group 1
  frame-relay lmi-type q933a
!
interface BRI0.1 multipoint
  ip address 10.1.100.1 255.255.255.0
  ipx network 100
  appletalk cable-range 100-100 100.1
  appletalk zone ISDN
  no appletalk send-rtmps
  frame-relay interface-dlci 100
  frame-relay interface-dlci 110
  frame-relay interface-dlci 120
!
interface BRI0.2 point-to-point
  ip address 10.1.200.1 255.255.255.0
  ipx network 200
  appletalk cable-range 200-200 200.1
  appletalk zone ISDN
  no appletalk send-rtmps
  frame-relay interface-dlci 200 broadcast IETF
!
access-list 101 deny igmp any host 255.255.255.255
access-list 101 permit ip any any
access-list 901 deny -1 FFFFFFFF 452
access-list 901 deny -1 FFFFFFFF 453
access-list 901 deny -1 FFFFFFFF 457
access-list 901 deny -1 FFFFFFFF 0 FFFFFFFF 452
access-list 901 deny -1 FFFFFFFF 0 FFFFFFFF 453
access-list 901 deny -1 FFFFFFFF 0 FFFFFFFF 457
access-list 901 permit -1
access-list 601 permit cable-range 100-100 broadcast-deny
access-list 601 permit cable-range 200-200 broadcast-deny
access-list 601 deny other-access

dialer-list 1 protocol ip list 101

```



```
dialer-list 1 protocol novell list 901
dialer-list 1 protocol apple list 601
```

X.25 Support Configuration Example

The following example configures a router to support X.25 and DTR dialing:

```
interface serial 0
 ip address 172.18.170.19 255.255.255.0
 encapsulation x25
 x25 address 12345
 x25 map ip 172.18.171.20 67890 broadcast
 dialer dtr
 dialer-group 1
 !
 access-list 101 deny igrp 0.0.0.0 255.255.255.255 0.0.0.0 255.255.255.255
 access-list 101 permit ip 0.0.0.0 255.255.255.255 0.0.0.0 255.255.255.255
 !
 dialer-list 1 protocol ip list 101
```

LAPB Support Configuration Example

The following example configures a router for LAPB encapsulation and in-band dialing:

```
interface serial 0
 ip address 172.18.170.19 255.255.255.0
 encapsulation lapb
 dialer in-band
 dialer string 4155551212
 dialer-group 1
 !
 access-list 101 deny igrp 0.0.0.0 255.255.255.255 0.0.0.0 255.255.255.255
 access-list 101 permit ip 0.0.0.0 255.255.255.255 0.0.0.0 255.255.255.255
 !
 dialer-list 1 protocol ip list 101
```

Cisco and the Cisco Logo are trademarks of Cisco Systems, Inc. and/or its affiliates in the U.S. and other countries. A listing of Cisco's trademarks can be found at www.cisco.com/go/trademarks. Third party trademarks mentioned are the property of their respective owners. The use of the word partner does not imply a partnership relationship between Cisco and any other company. (1005R)

Any Internet Protocol (IP) addresses and phone numbers used in this document are not intended to be actual addresses and phone numbers. Any examples, command display output, network topology diagrams, and other figures included in the document are shown for illustrative purposes only. Any use of actual IP addresses or phone numbers in illustrative content is unintentional and coincidental.

© 2001-2009 Cisco Systems, Inc. All rights reserved.



Configuring Peer-to-Peer DDR with Dialer Profiles

This chapter describes how to configure the Cisco IOS software for the Dialer Profiles feature implementation of dial-on-demand routing (DDR). It includes the following main sections:

- [Dialer Profiles Overview](#)
- [How to Configure Dialer Profiles](#)
- [Monitoring and Maintaining Dialer Profile Connections](#)
- [Configuration Examples Dialer Profiles](#)

For information about preparations for configuring dialer profiles, see the chapter “Preparing to Configure DDR” in this publication.

The Dialer Profiles feature is contrasted with legacy DDR. For information about legacy DDR, see the other chapters in the “Dial-on-Demand Routing” part of this publication.

For information about dial backup using dialer profiles, see the chapter “Configuring Dial Backup with Dialer Profiles” in this publication.

To identify the hardware platform or software image information associated with a feature, use the Feature Navigator on Cisco.com to search for information about the feature or refer to the software release notes for a specific release. For more information, see the “Identifying Supported Platforms” section in the “Using Cisco IOS Software” chapter.

For a complete description of the commands in this chapter, refer to the *Cisco IOS Dial Technologies Command Reference*. To locate documentation of other commands that appear in this chapter, use the command reference master index or search online.

Dialer Profiles Overview

Dialer profiles allow the configuration of physical interfaces to be separated from the logical configuration required for a call, and they also allow the logical and physical configurations to be bound together dynamically on a per-call basis.

A dialer *profile* consists of the following elements:



- A *dialer interface* (a logical entity) configuration including one or more dial strings (each of which is used to reach one destination subnetwork)
- A *dialer map class* that defines all the characteristics for any call to the specified dial string
- An ordered *dialer pool* of physical interfaces to be used by the dialer interface

**Note**

Dialer profiles support most routed protocols; however, International Organization for Standardization Connectionless Network Service (ISO CLNS) is not supported.

New Dialer Profile Model

In earlier releases of the Cisco IOS software, dialer profiles in the same dialer pool needed encapsulation-specific configuration information entered under both the dialer profile interface and the ISDN interface. If any conflict arose between the logical and the physical interfaces, the dialer profile failed to work.

In the new dialer profile model introduced by the Dynamic Multiple Encapsulations feature in Cisco IOS Release 12.1, the configuration on the ISDN interface is ignored and only the configuration on the profile interface is used, unless PPP name binding is used. Before a successful bind by CLID occurs, no encapsulation type and configuration are assumed or taken from the physical interfaces.

When PPP is used and a caller identification (CLID) bind fails, a dialer profile still can be matched by PPP name authentication. In the new dialer profile model, multiple attempts are made to find a matching profile.

The dialer profile software binds an incoming call on a physical dialer interface according to the following events, and in the order listed:

1. There is only one dialer profile configured to use the pool of which the physical interface is a member; this condition is the default bind. The physical interface must be a member of only this one pool. A default bind is possible only to a dialer profile when there are no **dialer caller** or **dialer called** commands configured on that profile.
2. The CLID matches what is configured in a **dialer caller** command on a dialer profile using a pool of which the physical interface is a member.
3. The DNIS that is presented matches what is configured in a **dialer called** command on a dialer profile using a pool of which the physical interface is a member.
4. If a bind has not yet occurred but the physical interface is configured for PPP encapsulation and CHAP or PAP authentication, and the CHAP or PAP name presented matches a **dialer remote-name** command configuration on a dialer profile using a pool of which the physical interface is a member, then the dialer profile software binds to that dialer profile.

If none of the above events are successful, the call is not answered. The call is also disconnected during any of the first three events when, after the bind occurs and the physical interface is configured for PPP encapsulation and CHAP or PAP authentication, the CHAP or PAP name presented does *not* match what is configured in a **dialer remote-name** command on the dialer profile that was bound to the call.

PPP encapsulation on an ISDN link is different from other encapsulation types because it runs on the B channel rather than the dialer profile interface. There are two possible configuration sources in a profile bind: the D and the dialer profile interfaces. Hence, a configuration conflict between the sources is possible. If a successful bind is accomplished by name authentication, the configuration used to bring PPP up is the one on the D interface. This is the name used to locate a dialer profile for the bind. The configuration on an ISDN interface goes under the D rather than a B channel, although B channels inherit the configuration from their D interface.

However, the configuration on this found dialer profile could be different from the one on the D interface. For example, the **ppp multilink** command is configured on the D interface, but not on the dialer profile interface. The actual per-user configuration is the one on the dialer profile interface. In this case, per-user configuration is not achieved unless link control protocol (LCP) and authentication are renegotiated. Because PPP client software often does not accept renegotiation, this workaround is not acceptable. Therefore, the D interface configuration takes precedence over the dialer profile interface configuration. This is the only case where the configuration of the dialer profile is overruled.

Dialer Interface

A dialer interface configuration includes all settings needed to reach a specific destination subnetwork (and any networks reached through it). Multiple dial strings can be specified for the same dialer interface, each dial string being associated with a different dialer map class.

Dialer Map Class

The dialer map class defines all the characteristics for any call to the specified dial string. For example, the map class for one destination might specify a 56-kbps ISDN speed; the map class for a different destination might specify a 64-kbps ISDN speed.

Dialer Pool

Each dialer interface uses a dialer pool, a pool of physical interfaces ordered on the basis of the priority assigned to each physical interface. A physical interface can belong to multiple dialer pools, contention being resolved by priority. ISDN BRI and PRI interfaces can set a limit on the minimum and maximum number of B channels reserved by any dialer pools. A channel reserved by a dialer pool remains idle until traffic is directed to the pool.

When dialer profiles are used to configure DDR, a physical interface has no configuration settings except encapsulation and the dialer pools with which the interface belongs.

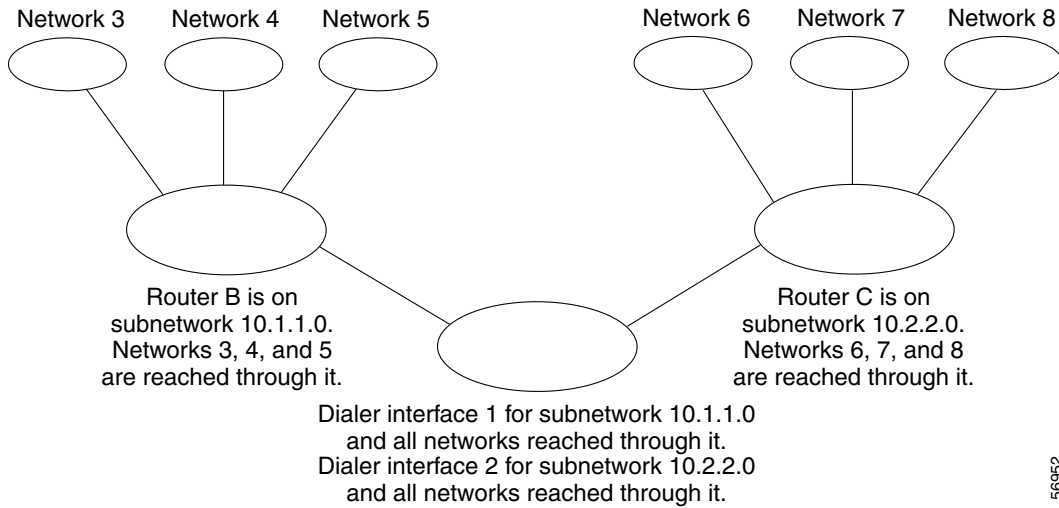


Note

The preceding paragraph has one exception: commands that apply before authentication is complete must be configured on the physical (or BRI or PRI) interface and not on the dialer profile. Dialer profiles do not copy PPP authentication commands (or LCP commands) to the physical interface.

[Figure 1](#) shows a typical application of dialer profiles. Router A has dialer interface 1 for DDR with subnetwork 10.1.1.0, and dialer interface 2 for DDR with subnetwork 10.2.2.0. The IP address for dialer interface 1 is its address as a node in network 10.1.1.0; at the same time, that IP address serves as the IP address of the physical interfaces used by the dialer interface 1. Similarly, the IP address for dialer interface 2 is its address as a node in network 10.2.2.0.

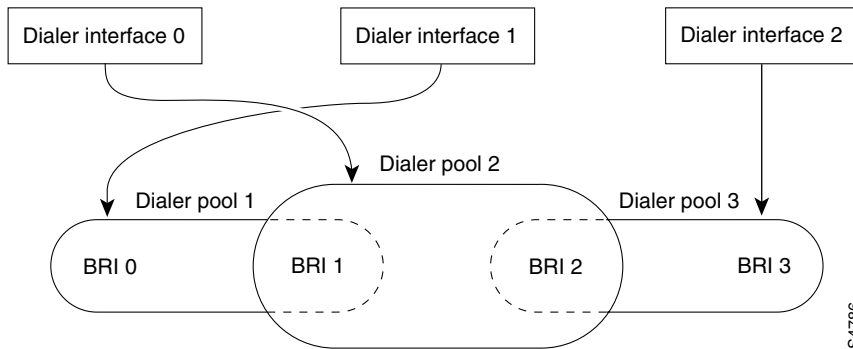
Figure 1 Typical Dialer Profiles Application



A dialer interface uses only one dialer pool. A physical interface, however, can be a member of one or many dialer pools, and a dialer pool can have several physical interfaces as members.

Figure 2 illustrates the relations among the concepts of dialer interface, dialer pool, and physical interfaces. Dialer interface 0 uses dialer pool 2. Physical interface BRI 1 belongs to dialer pool 2 and has a specific priority in the pool. Physical interface BRI 2 also belongs to dialer pool 2. Because contention is resolved on the basis of priority levels of the physical interfaces in the pool, BRI 1 and BRI 2 must be assigned different priorities in the pool. Perhaps BRI 1 is assigned priority 50 and BRI 2 is assigned priority 100 in dialer pool 2 (a priority of 100 is higher than a priority of 50). BRI 2 has a higher priority in the pool, and its calls will be placed first.

Figure 2 Relations Among Dialer Interfaces, Dialer Pools, and Physical Interfaces



How to Configure Dialer Profiles

To configure dialer profiles, perform the task in the following section:

- [Configuring a Dialer Profile](#) (Required)

The following tasks can be configured whether you use legacy DDR or dialer profiles. Perform these tasks as needed for your network:

- [Configuring Dialer Profiles for Routed Protocols](#) (As required)

- [Configuring Dialer Profiles for Transparent Bridging](#) (As required)

See the “[Verifying the Dynamic Multiple Encapsulations Feature](#)” section later in this chapter for tips on verifying that the feature is running in your network. See the “[Configuration Examples Dialer Profiles](#)” section at the end of this chapter for comprehensive configuration examples.

Configuring a Dialer Profile

To configure a dialer profile, perform the tasks in the following sections as required:

- [Configuring a Dialer Interface](#) (Required)
- [Fancy Queueing and Traffic Shaping on Dialer Profile Interfaces](#) (Optional)
- [Configuring a Map Class](#) (Optional)
- [Configuring the Physical Interfaces](#) (Required)

Configuring a Dialer Interface

Any number of dialer interfaces can be created for a router. Each dialer interface is the complete configuration for a destination subnetwork and any networks reached through it. The router on the destination subnetwork sends traffic on to the appropriate shadowed networks.

To configure a dialer interface, use the following commands beginning in global configuration mode:

	Command	Purpose
Step 1	Router(config)# interface dialer <i>number</i>	Creates a dialer interface and begins interface configuration mode.
Step 2	Router(config-if)# ip address <i>address mask</i>	Specifies the IP address and mask of the dialer interface as a node in the destination network to be called.
Step 3	Router(config-if)# encapsulation <i>type</i>	Specifies the encapsulation type.
Step 4	Router(config-if)# dialer string <i>dial-string</i> class <i>class-name</i>	Specifies the remote destination to call and the map class that defines characteristics for calls to this destination.
Step 5	Router(config-if)# dialer pool <i>number</i>	Specifies the dialing pool to use for calls to this destination.
Step 6	Router(config-if)# dialer-group <i>group-number</i>	Assigns the dialer interface to a dialer group.
Step 7	Router(config-if)# dialer-list <i>dialer-group</i> protocol <i>protocol-name</i> { permit deny list <i>access-list-number</i> }	Specifies an access list by list number or by protocol and list number to define the “interesting” packets that can trigger a call.

Fancy Queueing and Traffic Shaping on Dialer Profile Interfaces

In earlier releases of the Cisco IOS software, fancy queueing and traffic shaping were configured under the physical interfaces, therefore the same queueing or traffic shaping scheme needed to be applied to all users that were sharing the same ISDN link.

Beginning in Cisco IOS Release 12.1, you need only configure the queueing and traffic shaping schemes you desire on the dialer profile interface and the interface will take precedence over those configured on the ISDN B-channel interface. All the per-user encapsulation configuration has been moved to the dialer profile interfaces, separating it from hardware interfaces to make it dynamic and also to make per-user queueing and traffic shaping configuration possible.

**Note**

Per-user fancy queueing and traffic shaping work with both process switching and fast switching in the new dialer profile model. However, Frame Relay Traffic Shaping (FRTS) is not supported on the new dialer profile model.

See the chapter “Policing and Shaping Overview” in the *Cisco IOS Quality of Service Solutions Configuration Guide* for more information about FRTS.

Configuring a Map Class

Map-class configuration is optional but allows you to specify different characteristics for different types of calls on a per-call-destination basis. For example, you can specify higher priority and a lower wait-for-carrier time for an ISDN-calls map class than for a modem-calls map class. You can also specify a different speed for some ISDN calls than for other ISDN calls.

A specific map class is tied to a specific call destination by the use of the map-class name in the **dialer-string** command with the **class** keyword.

To specify a map class and define its characteristics, use the following commands beginning in global configuration mode:

	Command	Purpose
Step 1	Router(config)# map-class dialer <i>classname</i>	Specifies a map class and begins map-class configuration mode.
Step 2	Router(config-map-class)# dialer fast-idle <i>seconds</i>	Specifies the fast idle timer value.
Step 3	Router(config-map-class)# dialer idle-timeout <i>seconds</i> [inbound either]	Specifies the duration of idle time in seconds after which a line will be disconnected. By default, outbound traffic will reset the dialer idle timer. Adding the either keyword causes both inbound and outbound traffic to reset the timer; adding the inbound keyword causes only inbound traffic to reset the timer.
Step 4	Router(config-map-class)# dialer wait-for-carrier-time <i>seconds</i>	Specifies the length of time to wait for a carrier when dialing out to the dial string associated with the map class.
Step 5	Router(config-map-class)# dialer isdn [speed <i>speed</i>] [spc]	For ISDN only, specifies the bit rate used on the B channel associated with a specified map class or specifies that an ISDN semipermanent connection is to be used for calls associated with this map.

**Note**

The **dialer idle-timeout** interface configuration command specifies the duration of time before an idle connection is disconnected. Previously, both inbound and outbound traffic would reset the dialer idle timer; now you can specify that only inbound traffic will reset the dialer idle timer.

Configuring the Physical Interfaces

To configure a physical interface, use the following commands beginning in global configuration mode:

	Command	Purpose
Step 1	Router(config)# interface <i>type number</i>	Specifies the physical interface and begins interface configuration mode.
Step 2	Router(config-if)# encapsulation ppp	Enables PPP encapsulation.
Step 3	Router(config-if)# ppp authentication chap	Specifies PPP Challenge Handshake Authentication Protocol (CHAP) authentication, if you also want to receive calls on this interface.
Step 4	dialer pool-member <i>number</i> [priority <i>priority</i>] dialer pool-member <i>number</i> [priority <i>priority</i>] [min-link <i>minimum</i>] [max-link <i>maximum</i>]	Places the interface in a dialing pool and, optionally, assigns the interface a priority. For ISDN interfaces, you may also specify the minimum number of channels reserved and maximum number of channels used on this interface. The <i>minimum</i> value applies to outgoing calls only, and specifies the number of channels or interfaces reserved for dial out in that dialer pool; the channels remain idle when no calls are active. The <i>maximum</i> value applies to both incoming and outgoing calls and sets the total number of connections for a particular dialer pool member.
Step 5	Router(config-if)# dialer pool-member <i>number</i> [priority <i>priority</i>] or Router(config-if)# dialer pool-member <i>number</i> [priority <i>priority</i>] [min-link <i>minimum</i>] [max-link <i>maximum</i>]	(Optional) Repeat Step 4 if you want to put the interface in additional dialing pools.

Repeat this procedure for additional physical interfaces that you want to use with dialer profiles.

Configuring Dialer Profiles for Routed Protocols

Both legacy DDR and dialer profiles support the following routed protocols: AppleTalk, Banyan VINES, DECnet, IP, Novell Internet Protocol Exchange (IPX), and Xerox Network System (XNS). To configure dialer profiles for a routed protocol, perform the tasks in the relevant section:

- [Configuring Dialer Profiles for AppleTalk](#) (As required)
- [Configuring Dialer Profiles for Banyan VINES](#) (As required)
- [Configuring Dialer Profiles for DECnet](#) (As required)
- [Configuring Dialer Profiles for IP](#) (As required)
- [Configuring Dialer Profiles for Novell IPX](#) (As required)
- [Configuring XNS over DDR](#) (As required)

Configuring Dialer Profiles for AppleTalk

To configure dialer profiles for AppleTalk, you specify AppleTalk access lists and then configure the dialer interface for dialer profiles, defining the dialer list to be used. Use the **dialer-list protocol** command to define permit or deny conditions for the entire protocol; for a finer granularity, use the **dialer-list protocol** command with the **list** keyword. See the section “[Configuring a Dialer Interface](#)” earlier in this chapter for more information about defining dialer lists.

Configuring Dialer Profiles for Banyan VINES

To configure DDR for Banyan VINES, use one of the following commands in global configuration mode:

Command	Purpose
Router(config)# vines access-list <i>access-list-number</i> { permit deny } <i>source source-mask1</i>	Specifies a VINES standard access list.
or	
Router(config)# vines access-list <i>access-list-number</i> { permit deny } <i>source source-mask</i> [<i>destination</i>] [<i>destination-mask</i>]	Specifies a VINES extended access list.

After you specify VINES standard or extended access lists, configure the dialer interface for dialer profiles, defining the dialer list to be used. Use the **dialer-list protocol** command to define permit or deny conditions for the entire protocol; for a finer granularity, use the **dialer-list protocol** command with the **list** keyword. See the section “[Configuring a Dialer Interface](#)” earlier in this chapter for more information about defining dialer lists.



Note

The Banyan VINES **neighbor** command is not supported for Link Access Procedure, Balanced (LAPB) and X.25 encapsulations.

Configuring Dialer Profiles for DECnet

To configure dial-on-demand routing (DDR) for DECnet, use one of the following commands in global configuration mode:

Command	Purpose
Router(config)# access-list <i>access-list-number</i> { permit deny } <i>source source-mask1</i>	Specifies a DECnet standard access list.
or	
Router(config)# access-list <i>access-list-number</i> { permit deny } <i>source source-mask</i> [<i>destination</i>] [<i>destination-mask</i>]	Specifies a DECnet extended access list.

After you specify DECnet standard or extended access lists, configure the dialer interface for dialer profiles, defining the dialer list to be used. Use the **dialer-list protocol** command to define permit or deny conditions for the entire protocol; for a finer granularity, use the **dialer-list protocol** command with the **list** keyword. See the section “[Configuring a Dialer Interface](#)” earlier in this chapter for more information about defining dialer lists.

You classify DECnet control packets, including hello packets and routing updates, using one or more of the following commands: **dialer-list protocol decnet_router-L1 permit**, **dialer-list protocol decnet_router-L2 permit**, and **dialer-list protocol decnet_node permit**.

Configuring Dialer Profiles for IP

To configure DDR for IP, use one of the following commands in global configuration mode:

Command	Purpose
Router(config)# access-list <i>access-list-number</i> {deny permit} <i>source</i> [<i>source-mask</i>]	Specifies an IP standard access list.
or	
Router(config)# access-list <i>access-list-number</i> {deny permit} <i>protocol</i> <i>source</i> <i>source-mask</i> <i>destination</i> <i>destination-mask</i> [<i>operator</i> <i>operand</i>]	Specifies an IP extended access list.

You can now also use simplified IP access lists that use the **any** keyword instead of the numeric forms of source and destination addresses and masks. Other forms of IP access lists are also available. For more information, see the chapter “IP Services Commands” in the *Cisco IOS IP Command Reference*.

To use dynamic routing where multiple remote sites communicate with each other through a central site, you might need to disable the IP split horizon feature. Split horizon applies to Routing Information Protocol (RIP), Interior Gateway Routing Protocol (IGRP), and Enhanced IGRP. Depending on which routing protocol is configured, see the chapter “Configuring RIP,” “Configuring IGRP,” or “Configuring Enhanced IGRP” in this publication. Refer to the chapter “Configuring IP Routing Protocols” in the *Cisco IOS IP Configuration Guide* for more information.

Configuring Dialer Profiles for Novell IPX

On DDR links for Novell IPX, the link may come up often even when all client sessions are idle because the server sends watchdog or keepalive packets to all the clients approximately every 5 minutes. You can configure a local router or access server to idle out the DDR link and respond to the watchdog packets on behalf of the clients.

To modify the dialer profiles dialer interface configuration for Novell IPX, use the following commands in interface configuration mode:

	Command	Purpose
Step 1	Router(config-if)# no ipx route-cache	Disables fast switching for IPX.

	Command	Purpose
Step 2	Router(config-if)# ipx watchdog-spoof	Enables IPX watchdog spoofing.
	or Router(config-if)# ipx spx-spoof	Enables Sequenced Packet Exchange (SPX) keepalive spoofing.
Step 3	Router(config-if)# ipx spx-idle-time <i>delay-in-seconds</i>	Sets the idle time after which SPX keepalive spoofing begins.

Configuring XNS over DDR

To configure XNS for DDR, use one of the following commands in global configuration mode:

Command	Purpose
Router(config)# access-list <i>access-list-number</i> { deny permit } <i>source-network</i> [. <i>source-address</i> [<i>source-address-mask</i>]] [<i>destination-network</i> [. <i>destination-address</i> [<i>destination-address-mask</i>]]]	Specifies a standard XNS access list.
or Router(config)# access-list <i>access-list-number</i> { deny permit } <i>protocol</i> [<i>source-network</i> [. <i>source-host</i> [<i>source-network-mask</i> .] <i>source-host-mask</i>] <i>source-socket</i> [<i>destination-network</i> [. <i>destination-host</i> [<i>destination-network-mask</i> . <i>destination-host-mask</i>] <i>destination-socket</i> [/ pep]]]	Specifies an extended XNS access list.

After you specify an XNS access list, configure the dialer interface for dialer profiles, defining the dialer list to be used. Use the **dialer-list protocol** command to define permit or deny conditions for the entire protocol; for a finer granularity, use the **dialer-list protocol** command with the **list** keyword. See the section “[Configuring a Dialer Interface](#)” earlier in this chapter for more information about defining dialer lists.

Configuring Dialer Profiles for Transparent Bridging

The Cisco IOS software supports transparent bridging over both legacy DDR and dialer profiles, and it provides you some flexibility in controlling access and configuring the interface.

To configure dialer profiles for bridging, perform the tasks in the following sections:

- [Defining the Protocols to Bridge](#) (Required)
- [Specifying the Bridging Protocol](#) (Required)
- [Controlling Access for Bridging](#) (Required)
- [Configuring an Interface for Bridging](#) (Required)

Defining the Protocols to Bridge

IP packets are routed by default unless they are explicitly bridged; all others are bridged by default unless they are explicitly routed. To bridge IP packets, use the following command in global configuration mode:

Command	Purpose
Router(config)# no ip routing	Disables IP routing.

If you choose *not* to bridge another protocol, use the relevant command to enable routing of that protocol. For more information about tasks and commands, refer to the relevant chapter in the appropriate network protocol configuration guide, such as the *Cisco IOS AppleTalk and Novell IPX Configuration Guide*.

Specifying the Bridging Protocol

You must specify the type of spanning-tree bridging protocol to use and also identify a bridge group. To specify the spanning-tree protocol and a bridge group number, use the following command in global configuration mode:

Command	Purpose
Router(config)# bridge <i>bridge-group</i> protocol { <i>ieee</i> <i>dec</i> }	Defines the type of spanning-tree protocol and identifies a bridge group.

The *bridge-group* number is used when you configure the interface and assign it to a bridge group. Packets are bridged only among members of the same bridge group.

Controlling Access for Bridging

You can control access by defining any transparent bridge packet as *interesting*, or you can use the finer granularity of controlling access by Ethernet type codes. To control access for DDR bridging, perform *one* of the following tasks:

- [Permitting All Bridge Packets](#)
- [Controlling Bridging Access by Ethernet Type Codes](#)



Note

Spanning-tree bridge protocol data units (BPDUs) are always treated as *uninteresting*.

Permitting All Bridge Packets

To identify all transparent bridge packets as interesting, use the following command in global configuration mode:

Command	Purpose
Router(config)# dialer-list <i>dialer-group</i> protocol bridge permit	Defines a dialer list that treats all transparent bridge packets as interesting.

Controlling Bridging Access by Ethernet Type Codes

To control access by Ethernet type codes, use the following commands in global configuration mode:

	Command	Purpose
Step 1	Router(config)# access-list <i>access-list-number</i> { permit deny } <i>type-code</i> [<i>mask</i>]	Identifies interesting packets by Ethernet type codes (access list numbers must be in the range 200 to 299).
Step 2	Router(config)# dialer-list <i>dialer-group</i> protocol bridge list <i>access-list-number</i>	Defines a dialer list for the specified access list.

For a table of some common Ethernet type codes, see the “Ethernet Type Codes” appendix in the *Cisco IOS Bridging and IBM Networking Command Reference*.

Configuring an Interface for Bridging

You can perform serial interfaces or ISDN interfaces for DDR bridging. To configure an interface for DDR bridging, complete all the tasks in the following sections:

- [Specifying the Interface](#) (Required)
- [Configuring the Destination](#) (Required)
- [Assigning the Interface to a Bridge Group](#) (Required)

Specifying the Interface

To specify the interface and enter interface configuration mode, use the following command in global configuration mode:

Command	Purpose
Router(config)# interface <i>type number</i>	Specifies the serial or ISDN interface and enters interface configuration mode.

Configuring the Destination

You can configure the destination by specifying either of the following:

- A dial string—for unauthenticated calls to a single site
- A dialer bridge map—when you want to use authentication

To configure the destination for bridging over a specified interface, use the following command in interface configuration mode:

Command	Purpose
Router(config-if)# dialer string <i>dial-string</i>	Configures the dial string to call.



Note

You can define only one dialer bridge map for the interface. If you enter a different bridge map, the previous one is replaced immediately.

Assigning the Interface to a Bridge Group

Packets are bridged only among interfaces that belong to the same bridge group. To assign an interface to a bridge group, use the following command in interface configuration mode:

Command	Purpose
Router(config-if)# bridge-group <i>bridge-group</i>	Assigns the specified interface to a bridge group.

Monitoring and Maintaining Dialer Profile Connections

To monitor DDR dialer profile connections, use any of the following commands in privileged EXEC mode:

Command	Purpose
Router# show dialer interface	Displays information for the interfaces configured for DDR dialer profiles.
Router# show interfaces <i>type number</i>	Displays statistics for configured interfaces. The output varies, depending on the network for which an interface has been configured.
Router# show ipx interface [<i>type number</i>]	Displays status about the IPX interface.
Router# show ipx traffic	Displays information about the IPX packets sent by the router or access server, including watchdog counters.
Router# show appletalk traffic	Displays information about the AppleTalk packets sent by the router or access server.
Router# show vines traffic	Displays information about the Banyan VINES packets sent by the router or access server.
Router# show decnet traffic	Displays information about the DECnet packets sent by the router or access server.
Router# show xns traffic	Displays information about the XNS packets sent by the router or access server.
Router# clear dialer	Clears the values of the general diagnostic statistics.

Configuration Examples Dialer Profiles

The following sections provide three comprehensive configuration examples:

- [Dialer Profile with Inbound Traffic Filter Example](#)
- [Dialer Profile for Central Site with Multiple Remote Sites Example](#)
- [Dialer Profile for ISDN BRI Backing Up Two Leased Lines Example](#)
- [Dynamic Multiple Encapsulations over ISDN Example](#)

Dialer Profile with Inbound Traffic Filter Example

The following example shows a Cisco 5200 series router that has enabled the **dialer idle-timeout** command with the **inbound** keyword. This command allows only inbound traffic that conforms to the dialer list to establish a connection and reset the dialer idle timer.

```
interface Serial0:23
  no ip address
  no ip directed-broadcast
  encapsulation ppp
  dialer pool-member 1 max-link 2
  isdn switch-type primary-5ess
  no cdp enable
  ppp authentication chap
!
interface Dialer0
  ip address 10.1.1.2 255.255.255.0
  no ip directed-broadcast
  encapsulation ppp
  dialer remote-name 2610-2
  dialer idle-timeout 30 inbound
  dialer string 2481301
  dialer pool 1
  dialer-group 1
  no cdp enable
  ppp authentication chap
  ppp multilink
!
access-list 101 permit icmp any any
access-list 101 deny ip any any
dialer-list 1 protocol ip list 101
```

Dialer Profile for Central Site with Multiple Remote Sites Example

The following example shows a central site that can place or receive calls from three remote sites over four ISDN BRI lines. Each remote site is on a different IP subnet and has different bandwidth requirements; therefore, three dialer interfaces and three dialer pools are defined.

```
! This is a dialer profile for reaching remote subnetwork 10.1.1.1.
interface Dialer1
  ip address 10.1.1.1 255.255.255.0
  encapsulation ppp
  dialer remote-name Smalluser
  dialer string 4540
  dialer pool 3
  dialer-group 1

! This is a dialer profile for reaching remote subnetwork 10.2.2.2.
interface Dialer2
  ip address 10.2.2.2 255.255.255.0
  encapsulation ppp
  dialer remote-name Mediumuser
  dialer string 5264540 class Eng
  dialer load-threshold 50 either
  dialer pool 1
  dialer-group 2

! This is a dialer profile for reaching remote subnetwork 10.3.3.3.
interface Dialer3
  ip address 10.3.3.3 255.255.255.0
```



```
encapsulation ppp
dialer remote-name Poweruser
dialer string 4156884540 class Eng
dialer hold-queue 10
dialer load-threshold 80
dialer pool 2
dialer-group 2

! This map class ensures that these calls use an ISDN speed of 56 kbps.
map-class dialer Eng
  isdn speed 56

interface BRI0
  encapsulation PPP
! BRI 0 has a higher priority than BRI 1 in dialer pool 1.
  dialer pool-member 1 priority 100
  ppp authentication chap

interface BRI1
  encapsulation ppp
  dialer pool-member 1 priority 50
  dialer pool-member 2 priority 50
! BRI 1 has a reserved channel in dialer pool 3; the channel remains inactive
! until BRI 1 uses it to place calls.
  dialer pool-member 3 min-link 1
  ppp authentication chap

interface BRI2
  encapsulation ppp
! BRI 2 has a higher priority than BRI 1 in dialer pool 2.
  dialer pool-member 2 priority 100
  ppp authentication chap

interface BRI3
  encapsulation ppp
! BRI 3 has the highest priority in dialer pool 2.
  dialer pool-member 2 priority 150
  ppp authentication chap
```

Dialer Profile for ISDN BRI Backing Up Two Leased Lines Example

The following example shows the configuration of a site that backs up two leased lines using one BRI. Two dialer interfaces are defined. Each serial (leased line) interface is configured to use one of the dialer interfaces as a backup. Both of the dialer interfaces use BRI 0, and BRI 0 is a member of the two dialer pools. Thus, BRI 0 can back up two different serial interfaces and can make calls to two different sites.

```
interface dialer0
  ip unnumbered loopback0
  encapsulation ppp
  dialer remote-name Remote0
  dialer pool 1
  dialer string 5551212
  dialer-group 1

interface dialer1
  ip unnumbered loopback0
  encapsulation ppp
  dialer remote-name Remote1
  dialer pool 2
  dialer string 5551234
  dialer-group 1
```

```

interface bri 0
 encapsulation PPP
 dialer pool-member 1
 dialer pool-member 2
 ppp authentication chap

interface serial 0
 ip unnumbered loopback0
 backup interface dialer0
 backup delay 5 10

interface serial 1
 ip unnumbered loopback0
 backup interface dialer1
 backup delay 5 10

```

Dynamic Multiple Encapsulations over ISDN Example

The following example shows a network access server named NAS1 with dialer profiles and LAPB, X.25, and PPP encapsulations configured. Although the BRI0 D interface uses X.25 encapsulation, the actual encapsulations running over the ISDN B channels are determined by the encapsulations configured on the profile interfaces bound to them.

When an ISDN B channel connects to remote user RU2 using CLID 60043, Dialer1 is bound to this ISDN B channel by CLID binding. The protocol used is PPP; the X.25 configuration on the D interface has no effect. Because the **ppp authentication chap** command is configured, even though the binding is done by CLID, PPP authentication is still performed over the name RU2 before the protocol is allowed to proceed.

The Dialer2 interface uses DNIS-plus-ISDN-subaddress binding and is bound to a B channel with an incoming call with DNIS 60045 and ISDN subaddress 12345. Also note that the High-Level Data Link Control (HDLC) encapsulation has no username associated. It is no longer necessary to configure the **dialer remote-name** command, as in the previous dialer profile model.

When there is an ISDN B-channel connection to remote user RU1 using CLID 60036, LAPB encapsulation will run on this connection once CLID binding to Dialer0 takes place. This connection will operate as a standalone link independent of other activities over other ISDN B channels.

```

version xx.x
service timestamps debug datetime msec
service timestamps log datetime msec
service password-encryption
service udp-small-servers
service tcp-small-servers
!
virtual-profile virtual-template 1
virtual-profile aaa
!
hostname NAS1
!
aaa new-model
aaa authentication ppp default radius
aaa authorization network radius
enable secret 5 $1$0Ced$YYJJ12p8f941c/.JSgw8n1
enable password 7 153D19270D2E
!
username RU1 password 7 11260B2E1E16
username RU2 password 7 09635C221001
no ip domain-lookup

```

```
ip domain-name cisco.com
ip name-server 192.168.30.32
ip name-server 172.16.2.132
isdn switch-type basic-5ess
!
interface Virtual-Template 1
encapsulation ppp
ppp authentication chap
!
interface Ethernet0
 ip address 172.21.17.11 255.255.255.0
 no ip mroute-cache
 no cdp enable
!
interface Serial0
 ip address 10.2.2.1 255.0.0.0
 shutdown
 clockrate 56000
 ppp authentication chap
!
interface Serial1
 ip address 10.0.0.1 255.0.0.0
 shutdown
!
interface BRI0
 description PBX 60035
 no ip address
 encapsulation x25
 no ip mroute-cache
 no keepalive
 dialer pool-member 1
 dialer pool-member 2
!
interface Dialer0
 ip address 10.1.1.1 255.0.0.0
 encapsulation lapb dce multi
 no ip route-cache
 no ip mroute-cache
 no keepalive
 dialer remote-name RU1
 dialer idle-timeout 300
 dialer string 60036
 dialer caller 60036
 dialer pool 1
 dialer-group 1
 no fair-queue
!
interface Dialer1
 ip address 10.1.1.1 255.0.0.0
 encapsulation ppp
 no ip route-cache
 no ip mroute-cache
 dialer remote-name RU2
 dialer string 60043
 dialer caller 60043
 dialer pool 2
 dialer-group 1
 no fair-queue
 no cdp enable
 ppp authentication chap
!
interface Dialer2
 ip address 10.1.1.1 255.0.0.0
 encapsulation hdlc
```

```

dialer called 60045:12345
dialer pool 1
dialer-group 1
fair-queue
!
radius-server host 172.19.61.87
radius-server key foobar
snmp-server community public RO
!
line con 0
  exec-timeout 0 0
line aux 0
  transport input all
line vty 0 4
  password 7 10611B320C13
  login
!
end

```

Verifying the Dynamic Multiple Encapsulations Feature

To see statistics on each physical interface bound to the dialer interface, and to verify dialer interfaces configured for binding, use the **show interfaces EXEC** command. Look for the reports “Bound to:” and “Interface is bound to...” while remembering that this feature applies only to ISDN.

```
Router# show interfaces dialer0
```

```

Dialer0 is up, line protocol is up
  Hardware is Unknown
  Internet address is 10.1.1.2/8
  MTU 1500 bytes, BW 64 Kbit, DLY 20000 usec, rely 255/255, load 1/255
  Encapsulation PPP, loopback not set
  DTR is pulsed for 1 seconds on reset
  Interface is bound to BRI0:1
  Last input 00:00:38, output never, output hang never
  Last clearing of "show interface" counters 00:05:36
  Queueing strategy: fifo
  Output queue 0/40, 0 drops; input queue 0/75, 0 drops
  5 minute input rate 0 bits/sec, 0 packets/sec
  5 minute output rate 0 bits/sec, 0 packets/sec
    38 packets input, 4659 bytes
    34 packets output, 9952 bytes
Bound to:
BRI0:1 is up, line protocol is up
  Hardware is BRI
  MTU 1500 bytes, BW 64 Kbit, DLY 20000 usec, rely 255/255, load 1/255
  Encapsulation PPP, loopback not set, keepalive not set
  Interface is bound to Dialer0 (Encapsulation PPP)
  LCP Open, multilink Open
  Last input 00:00:39, output 00:00:11, output hang never
  Last clearing of "show interface" counters never
  Queueing strategy: fifo
  Output queue 0/40, 0 drops; input queue 0/75, 0 drops
  5 minute input rate 0 bits/sec, 0 packets/sec
  5 minute output rate 0 bits/sec, 0 packets/sec
    78 packets input, 9317 bytes, 0 no buffer
    Received 65 broadcasts, 0 runts, 0 giants, 0 throttles
    0 input errors, 0 CRC, 0 frame, 0 overrun, 0 ignored, 0 abort
    93 packets output, 9864 bytes, 0 underruns
    0 output errors, 0 collisions, 7 interface resets
    0 output buffer failures, 0 output buffers swapped out
    4 carrier transitions

```

At the end of the Dialer0 display, the **show interfaces** command is executed on each physical interface bound to it.

In the next example, the physical interface is the B1 channel of the BRI0 link. This example also illustrates that the output under the B channel keeps all hardware counts that are not displayed under any logical or virtual access interface. The line in the report that states “Interface is bound to Dialer0 (Encapsulation LAPB)” indicates that this B interface is bound to the dialer 0 interface and that the encapsulation running over this connection is LAPB, not PPP, which is the encapsulation configured on the D interface and inherited by the B channel.

```
Router# show interfaces bri0:1
```

```
BRI0:1 is up, line protocol is up
  Hardware is BRI
  MTU 1500 bytes, BW 64 Kbit, DLY 20000 usec, rely 255/255, load 1/255
  Encapsulation PPP, loopback not set, keepalive not set
  Interface is bound to Dialer0 (Encapsulation LAPB)
  LCP Open, multilink Open
  Last input 00:00:31, output 00:00:03, output hang never
  Last clearing of "show interface" counters never
  Queueing strategy: fifo
  Output queue 0/40, 0 drops; input queue 0/75, 0 drops
  5 minute input rate 0 bits/sec, 1 packets/sec
  5 minute output rate 0 bits/sec, 1 packets/sec
    110 packets input, 13994 bytes, 0 no buffer
    Received 91 broadcasts, 0 runts, 0 giants, 0 throttles
    0 input errors, 0 CRC, 0 frame, 0 overrun, 0 ignored, 0 abort
    135 packets output, 14175 bytes, 0 underruns

    0 output errors, 0 collisions, 12 interface resets
    0 output buffer failures, 0 output buffers swapped out
    8 carrier transitions
```

Cisco and the Cisco Logo are trademarks of Cisco Systems, Inc. and/or its affiliates in the U.S. and other countries. A listing of Cisco's trademarks can be found at www.cisco.com/go/trademarks. Third party trademarks mentioned are the property of their respective owners. The use of the word partner does not imply a partnership relationship between Cisco and any other company. (1005R)

Any Internet Protocol (IP) addresses and phone numbers used in this document are not intended to be actual addresses and phone numbers. Any examples, command display output, network topology diagrams, and other figures included in the document are shown for illustrative purposes only. Any use of actual IP addresses or phone numbers in illustrative content is unintentional and coincidental.

© 2007-2009 Cisco Systems, Inc. All rights reserved.



Dialer Map VRF-Aware for an MPLS VPN

Feature History

Release	Modification
12.2(8)T	This feature was introduced.

This document describes the Asynchronous Line Monitoring feature feature in Cisco IOS Release 12.2(8)T and includes the following sections:

- [Feature Overview, page 755](#)
- [Supported Platforms, page 757](#)
- [Supported Standards, MIBs, and RFCs, page 757](#)
- [Prerequisites, page 758](#)
- [Configuration Tasks, page 758](#)
- [Configuration Example, page 760](#)
- [Command Reference, page 766](#)

Feature Overview

The dialer software in Cisco IOS prior to Release 12.2(8)T had no way to dial two different destinations with the same IP address. More specifically, in networks where a network access server (NAS) supports dialing clients with overlapping addresses, dial-out attempts would fail. The Asynchronous Line Monitoring feature feature solves this problem.

A VRF—virtual routing and forwarding instance—is a per-Virtual Private Network (VPN) routing information repository that defines the VPN membership of a customer site attached to the NAS. A VRF consists of an IP routing table, a derived Cisco Express Forwarding (CEF) table, a set of interfaces that use the forwarding table, and a set of rules and routing protocol parameters that control the information that is included in the routing table. A separate set of routing and CEF tables is maintained for each VPN customer.

The Multiprotocol Label Switching (MPLS) distribution protocol is a high-performance packet forwarding technology that integrates the performance and traffic management capabilities of data link layer switching with the scalability, flexibility, and performance of network-layer routing.



The Cisco IOS dialer software is “VRF-aware for an MPLS VPN,” which means that it can distinguish between two destinations with the same IP address using information stored in the VRF. This capability is provided to the dialer software by two existing Cisco IOS commands, **dialer map** and **ip route**, which have been enhanced to include VRF information.

In previous Cisco IOS releases, the dialer software obtained the telephone number for dial-out based on the destination IP address configured in the **dialer map** command. Now, the enhanced **dialer map** command supplies the name of the VRF so that the telephone number to be dialed is based on the VRF name and the destination IP address. The VRF is identified based on the incoming interface of the packet, and is used with the destination IP address defined in the **dialer map** command to determine the telephone number to be dialed.

The **ip route** configuration command also includes the VRF information. When a packet arrives in an incoming interface that belongs to a particular VRF, only those **ip route** commands that correspond to that particular VRF are used to determine the destination interface.

Benefits

The Asynchronous Line Monitoring feature allows the dialer software to dial out in an MPLS-based VPN. The MPLS VPN model simplifies network routing. For example, rather than needing to manage routing over a complex virtual network backbone composed of many virtual circuits, an MPLS VPN user can employ the backbone of the service provider as the default route in communicating with all other VPN sites.

This default route capability allows several sites to transparently interconnect through the service provider network. One service provider network can support several different IP VPNs, each of which appears to its users as a separate, private network. Within a VPN, each site can send IP packets to any other site in the same VPN, because each VPN is associated with one or more VRFs. The VRF is a key element in the VPN technology, because it maintains the routing information that defines a customer VPN site.

For additional benefits and information about MPLS, VPNs, and VRF, refer to the documents listed in the “[Related Documents](#)” section.

Related Documents

Additional information about configuring networks that can take advantage of the Asynchronous Line Monitoring feature can be found in the following Cisco IOS documentation:

- *Cisco IOS Dial Technologies Command Reference*, Release 12.2.
- *Cisco IOS Dial Technologies Configuration Guide*, Release 12.2. Refer to the chapter “Configuring Virtual Profiles” in the part “Virtual Templates, Profiles, and Networks.”
- *Cisco IOS Switching Services Command Reference*, Release 12.2.
- *Cisco IOS Switching Services Configuration Guide*, Release 12.2. Refer to the chapters “Multiprotocol Label Switching Overview” and “Configuring Multiprotocol Label Switching” in the part “Multiprotocol Label Switching.”

Supported Platforms

The Asynchronous Line Monitoring feature is supported on the following Cisco router and access server platforms:

- Cisco 1600 series
- Cisco 1720
- Cisco 1721
- Cisco 1750
- Cisco 1751
- Cisco 3600 series
- Cisco 3631
- Cisco 3725
- Cisco 3745
- Cisco 7200 series
- Cisco 7500 series
- Cisco 802
- Cisco 820
- Cisco 828
- Cisco uBR7200

Determining Platform Support Through Feature Navigator

Cisco IOS software is packaged in feature sets that support specific platforms. To get updated information regarding platform support for this feature, access Feature Navigator. Feature Navigator dynamically updates the list of supported platforms as new platform support is added for the feature.

Feature Navigator is a web-based tool that enables you to quickly determine which Cisco IOS software images support a specific set of features and which features are supported in a specific Cisco IOS image.

To access Feature Navigator, you must have an account on Cisco.com. If you have forgotten or lost your account information, send a blank e-mail to cco-locksmith@cisco.com. An automatic check will verify that your e-mail address is registered with Cisco.com. If the check is successful, account details with a new random password will be e-mailed to you. Qualified users can establish an account on Cisco.com by following the directions at <http://www.cisco.com/register>.

Feature Navigator is updated regularly when major Cisco IOS software releases and technology releases occur. For the most current information, go to the Feature Navigator home page at the following URL:

<http://www.cisco.com/go/fn>

Supported Standards, MIBs, and RFCs

Standards

None

MIBs

None

To obtain lists of supported MIBs by platform and Cisco IOS release, and to download MIB modules, go to the Cisco MIB website on Cisco.com at the following URL:

<http://www.cisco.com/public/sw-center/netmgmt/cmtk/mibs.shtml>

RFCs

None

Prerequisites

Before beginning the tasks described in this document, you need to understand how to configure the following network features:

- Virtual profiles with two-way AAA authentication
- MPLS VPNs

Refer to the documents listed in the “[Related Documents](#)” section for information about configuring these features.

Configuration Tasks

See the following sections for the configuration tasks for this feature. Each task in the list is identified as either required or optional.

- [Configuring Asynchronous Line Monitoring feature](#) (required)
- [Verifying Asynchronous Line Monitoring feature](#) (optional)

Configuring Asynchronous Line Monitoring feature

To map a VRF and next hop address combination to a dial string and thereby allow the dialer software to be VRF-aware for an MPLS VPN, use the following commands beginning in global configuration mode.

	Command	Purpose
Step 1	Router(config)# interface dialer <i>number</i>	Enters configuration mode and begins dialer configuration.
Step 2	Router(config-if)# dialer map ip <i>protocol-next-hop-address vrf vrf-name</i> name <i>host-name dial-string</i>	Maps a VRF and next hop address combination to a dial string (telephone number).
Step 3	Router(config-if)# exit	Exit to global configuration mode.
Step 4	Router(config)# ip route vrf <i>vrf-name</i> <i>ip-address mask interface-type</i> <i>interface-number</i>	Configures a VRF and next hop address combination that points to the interface where the dialer software should make the connection.

These commands are only part of the required configuration and show how to map a VRF and next hop address combination to a dial string. Refer to the documents listed in the section “[Related Documents](#)” and the example in the “[Configuration Example](#)” section, for details on where to include these commands in the network configuration.

Verifying Asynchronous Line Monitoring feature

The verification process described in this section is based on the following configuration:

```
interface dialer 1
  dialer map ip 10.0.0.1 vrf blue name peer1 peer1_number
ip route vrf blue 10.0.0.1 255.255.255.255 Dialer0
```

To verify correct operation of the Asynchronous Line Monitoring feature feature, on the customer edge NAS, use the **ping** command in EXEC mode to place a call to peer. The expected result is that the NAS successfully dials out to peer1. If the call fails, use the **show adjacency** EXEC command to check CEF adjacency table information.

Troubleshooting Tips

If you encounter problems with the Asynchronous Line Monitoring feature feature, use the following **debug** privileged EXEC commands on the NAS to help you determine where the problem lies:

- **debug ppp authentication**
- **debug ppp negotiation**
- **debug aaa authentication**
- **debug aaa authorization**
- **debug radius**
- **debug dialer**

Monitoring and Maintaining Asynchronous Line Monitoring feature

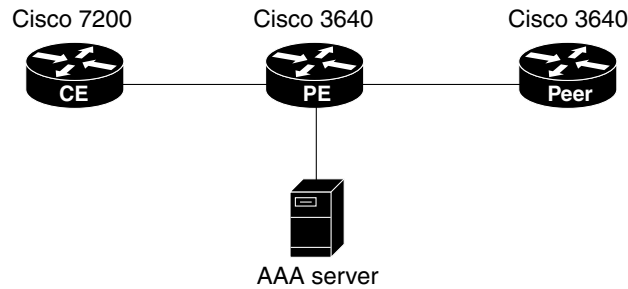
To monitor and maintain the Asynchronous Line Monitoring feature feature, use the following EXEC commands:

Command	Purpose
Router# show adjacency	Displays CEF adjacency table information.
Router# show ip route	Displays all static IP routes, or those installed using the AAA route download function.
Router# show users	Displays information about the active lines on the router.

Configuration Example

This section provides a configuration example of the Asynchronous Line Monitoring feature on the simple network topology shown in [Figure 1](#).

Figure 1 CE-to-PE-to-Peer MPLS VPN Topology



Note

The network addresses and telephone numbers used in the following configuration are examples only and will not work if tried in an actual network configuration.

Customer Edge (CE) Router

```

!
hostname oaktree02
enable secret 5 !1!35Fg$Ep4.D8JGpg7rKxQa49BF9/
!
!
ip subnet-zero
no ip domain-lookup
!
!
controller T1 5/0
!
controller T1 5/1
!
!
!
interface FastEthernet0/0
no ip address
no ip mroute-cache
duplex auto
speed auto
!
interface FastEthernet0/1
no ip address
no ip mroute-cache
shutdown
duplex auto
speed auto
!
interface Ethernet1/0
ip address 10.0.58.11 255.255.255.0
no ip mroute-cache
half-duplex
!
interface Ethernet1/1
ip address 50.0.0.2 255.0.0.0
no ip mroute-cache
  
```

```
    half-duplex
  !
interface Ethernet1/2
  no ip address
  no ip mroute-cache
  shutdown
  half-duplex
  !
interface Ethernet1/3
  no ip address
  no ip mroute-cache
  shutdown
  half-duplex
  !
interface Serial2/0
  no ip address
  no ip mroute-cache
  shutdown
  no fair-queue
  serial restart-delay 0
  !
interface Serial2/1
  no ip address
  no ip mroute-cache
  shutdown
  serial restart-delay 0
  !
interface Serial2/2
  no ip address
  no ip mroute-cache
  shutdown
  serial restart-delay 0
  !
interface Serial2/3
  no ip address
  no ip mroute-cache
  shutdown
  serial restart-delay 0
  !
interface Serial3/0
  no ip address
  no ip mroute-cache
  shutdown
  !
interface Serial3/1
  no ip address
  no ip mroute-cache
  shutdown
  !
interface Serial3/2
  no ip address
  no ip mroute-cache
  shutdown
  !
interface Serial3/3
  no ip address
  no ip mroute-cache
  shutdown
  !
interface Serial3/4
  no ip address
  no ip mroute-cache
  shutdown
  !
```

```

interface Serial3/5
 no ip address
 no ip mroute-cache
 shutdown
!
interface Serial3/6
 no ip address
 no ip mroute-cache
 shutdown
!
interface Serial3/7
 no ip address
 no ip mroute-cache
 shutdown
!
interface FastEthernet4/0
 no ip address
 no ip mroute-cache
 shutdown
 duplex auto
 speed auto
!
ip classless
ip route 0.0.0.0 0.0.0.0 10.0.58.1
ip route 60.0.0.0 255.0.0.0 50.0.0.1
no ip http server
!
!
snmp-server manager
banner motd ^C AV-8B OAKTREE^C
alias exec r sh run
!
line con 0
 exec-timeout 0 0
line aux 0
 login
line vty 0 4
 no login
!
end

```

Provider's Edge (PE) Router

```

!
hostname pinetree02
!
aaa new-model
!
!
aaa authentication login con-log none
aaa authentication ppp default group radius
aaa authorization network default group radius
aaa session-id common
enable secret 5 $1$7KlA$xpC814dJCZogbzZvGUtFl/
!
username rubbertree02 password 0 Hello
ip subnet-zero
!
!
no ip domain-lookup
!
!
ip vrf yellow
 rd 100:1

```

```
ip cef
virtual-profile aaa
isdn switch-type primary-5ess
!
!
!
controller T1 3/0
  framing esf
  linecode b8zs
  pri-group timeslots 1-24
!
controller T1 3/1
  framing esf
  linecode b8zs
!
controller T1 3/2
  framing esf
  linecode b8zs
!
controller T1 3/3
  framing esf
  linecode b8zs
!
controller T1 3/4
  framing esf
  linecode b8zs
!
controller T1 3/5
  framing esf
  linecode b8zs
!
controller T1 3/6
  framing esf
  linecode b8zs
!
controller T1 3/7
  framing esf
  linecode b8zs
!
!
interface Loopback0
  ip vrf forwarding yellow
  ip address 70.0.0.1 255.0.0.0
!
interface FastEthernet1/0
  no ip address
  shutdown
  duplex half
!
interface Ethernet2/0
  ip address 10.0.58.3 255.255.255.0
  duplex full
!
interface Ethernet2/1
  ip vrf forwarding yellow
  ip address 50.0.0.1 255.0.0.0
  duplex half
!
interface Ethernet2/2
  no ip address
  shutdown
  duplex half
!
interface Ethernet2/3
```

```

no ip address
shutdown
duplex half
!
interface Serial3/0:23
description phone# 555-3123
no ip address
encapsulation ppp
dialer rotary-group 0
dialer-group 1
isdn switch-type primary-5ess
ppp authentication chap
!
interface Serial4/0
no ip address
shutdown
no fair-queue
!
interface Serial4/1
no ip address
shutdown
!
interface Serial4/2
no ip address
shutdown
!
interface Serial4/3
no ip address
shutdown
!
interface Dialer0
ip address negotiated
encapsulation ppp
dialer in-band
dialer map ip 60.0.0.12 vrf yellow name rubbertree02 5552171
dialer map ip 60.0.0.2 5552172
dialer-group 1
ppp authentication chap
!
ip classless
ip route 0.0.0.0 0.0.0.0 10.0.58.1
ip route 60.0.0.2 255.255.255.255 Dialer0
ip route vrf yellow 60.0.0.0 255.0.0.0 Dialer0 permanent
no ip http server
ip pim bidir-enable
!
ip director cache time 60
dialer-list 1 protocol ip permit
!
!
!
radius-server host 172.19.192.89 auth-port 1645 acct-port 1646 key rad123
radius-server retransmit 3
call rsvp-sync
!
no mgcp timer receive-rtcp
!
mgcp profile default
!
dial-peer cor custom
!
!
!
gatekeeper

```



```

shutdown
!
banner motd ^C   F/A-18   PINETREE ^C
!
line con 0
  exec-timeout 0 0
  login authentication con-log

line aux 0
line vty 5 15
!
!
end

```

Peer Router

```

!
hostname rubbertree02
!
logging buffered 32000 debugging
enable secret 5 $1$RCKC$scgtdlaDzjSyUVAi7KK5Q.
enable password Windy
!
username pinetree02 password 0 Hello
!
!
!
ip subnet-zero
no ip domain-lookup
!
isdn switch-type basic-5ess
!
!
!
interface Ethernet0
  ip address 10.0.58.9 255.255.255.0
  no ip route-cache
!
interface Serial0
  no ip address
  no ip route-cache
  shutdown
!
interface BRI0
  description phone# 555-2171
  ip address 60.0.0.12 255.0.0.0
  encapsulation ppp
  no ip route-cache
  dialer map ip 60.0.0.11 5553123
  dialer map ip 60.0.0.2 5552172
  dialer-group 1
  isdn switch-type basic-5ess
  isdn fast-rollover-delay 45
!
ip default-gateway 10.0.58.1
ip classless
ip route 0.0.0.0 0.0.0.0 10.0.58.1
ip route 50.0.0.0 255.0.0.0 70.0.0.1
no ip http server
!
dialer-list 1 protocol ip permit
no cdp run
banner motd ^C   F-4B   RUBBERTREE^C
!

```

```

line con 0
  exec-timeout 0 0
line vty 0 4
  password Windy
  login
!
end

```

AAA Server User File

```
[aaa-serv]/usr/testing/bin> ./radiusd_1.16 -d . -a . -x
```

```

greentree-16      Password = "Hello", Expiration = "Dec 31 2005"
                  Service-Type = Framed-User,
                  Framed-Protocol = PPP
                  cisco-avpair = "lcp:interface-config=ip vrf forwarding yellow \nip
unnumbered Loopback0"

```

Command Reference

The following commands are introduced or modified in the feature or features documented in this module. For information about these commands, see the *Cisco IOS Dial Technologies Command Reference* at http://www.cisco.com/en/US/docs/ios/dial/command/reference/dia_book.html. For information about all Cisco IOS commands, go to the Command Lookup Tool at <http://tools.cisco.com/Support/CLILookup> or to the *Cisco IOS Master Commands List*

- **dialer map**

Cisco and the Cisco Logo are trademarks of Cisco Systems, Inc. and/or its affiliates in the U.S. and other countries. A listing of Cisco's trademarks can be found at www.cisco.com/go/trademarks. Third party trademarks mentioned are the property of their respective owners. The use of the word partner does not imply a partnership relationship between Cisco and any other company. (1005R)

Any Internet Protocol (IP) addresses and phone numbers used in this document are not intended to be actual addresses and phone numbers. Any examples, command display output, network topology diagrams, and other figures included in the document are shown for illustrative purposes only. Any use of actual IP addresses or phone numbers in illustrative content is unintentional and coincidental.

© 2007–2009 Cisco Systems, Inc. All rights reserved.



Dialer Persistent

Feature History

Release	Modification
12.2(4)T	This feature was introduced.
12.2(11)T	This feature was implemented on Cisco access server platforms.

This document describes the Dialer Persistent feature. It includes the following sections.

- [Feature Overview, page 767](#)
- [Supported Platforms, page 768](#)
- [Supported Standards, MIBs, and RFCs, page 769](#)
- [Prerequisites, page 769](#)
- [Configuration Tasks, page 769](#)
- [Monitoring and Maintaining Dialer Persistence, page 771](#)
- [Configuration Examples, page 771](#)
- [Command Reference, page 773](#)
- [Glossary, page 774](#)

Feature Overview

A new interface configuration command, **dialer persistent**, allows a dial-on-demand routing (DDR) dialer profile connection to be brought up without being triggered by *interesting* traffic. When configured, the **dialer persistent** command starts a timer when the dialer interface starts up and starts the connection when the timer expires. If interesting traffic arrives before the timer expires, the connection is still brought up and set as persistent. The command provides a default timer interval, or you can set a custom timer interval.

The connection is not brought down until the **shutdown** interface command is entered on the dialer interface. If the persistent connection is torn down for some other reason, such as the ISDN line goes down, the system immediately tries to bring the connection back up, and will use any other settings configured for dialing on the dialer interface.



Benefits

The Dialer Persistent feature allows the connection settings in the dialer profile to be configured as *persistent*, that is, the connection is not torn down until the **shutdown** interface command is entered on the dialer interface.

Until Cisco IOS Release 12.2(4)T, interesting traffic was used to bring up a DDR link. If there was no interesting traffic and the idle timeout interval was reached, the link was torn down. However, there are situations where a link needs to be up all the time. The Dialer Persistent feature provides the option to ignore idle timers and interesting traffic, thereby keeping the link up and maintaining DDR dialed calls indefinitely. The Dialer Persistent feature allows you to configure the intervals to be used for dial attempts, both initially on startup and when a persistent link is brought down due to external failures.

Restrictions

The Dialer Persistent feature is available only with dialer profiles and not with legacy dialers.

The **dialer idle-timeout** interface configuration command cannot be configured when the **dialer persistent** command is configured.

Related Documents

- *Cisco IOS Dial Technologies Command Reference*, Release 12.2
- *Cisco IOS Dial Technologies Configuration Guide*, “Dial-on-Demand Routing Configuration” part, Release 12.2

Supported Platforms

See the next section for information about Feature Navigator and how to use this tool to determine the platforms and software images in which this feature is available.

Platform Support Through Feature Navigator

Cisco IOS software is packaged in feature sets that support specific platforms. To get updated information regarding platform support for this feature, access Feature Navigator. Feature Navigator dynamically updates the list of supported platforms as new platform support is added for the feature.

Feature Navigator is a web-based tool that enables you to quickly determine which Cisco IOS software images support a specific set of features and which features are supported in a specific Cisco IOS image.

To access Feature Navigator, you must have an account on Cisco.com. If you have forgotten or lost your account information, send a blank e-mail to cco-locksmith@cisco.com. An automatic check will verify that your e-mail address is registered with Cisco.com. If the check is successful, account details with a new random password will be e-mailed to you. Qualified users can establish an account on Cisco.com by following the directions at <http://www.cisco.com/register>.

Feature Navigator is updated when major Cisco IOS software releases and technology releases occur. As of May 2001, Feature Navigator supports M, T, E, S, and ST releases. You can access Feature Navigator at the following URL:

<http://www.cisco.com/go/fn>

Supported Standards, MIBs, and RFCs

Standards

None

MIBs

None

To obtain lists of supported MIBs by platform and Cisco IOS release, and to download MIB modules, go to the Cisco MIB website on Cisco.com at the following URL:

<http://www.cisco.com/public/sw-center/netmgmt/cmtk/mibs.shtml>

RFCs

None

Prerequisites

Before performing the configuration tasks in this document, review the overview of and steps to configure a dialer profile in the chapter “Configuring Peer-to-Peer DDR with Dialer Profiles” in the *Cisco IOS Dial Technologies Configuration Guide*, “Dial-on-Demand Routing Configuration” part, Release 12.2.

Configuration Tasks

See the following sections for configuration tasks for the Dialer Persistent feature. Each task in the list is identified as either required or optional:

- [Configuring Dialer Persistent](#) (required)
- [Shutting Down an Interface Configured for Dialer Persistence](#) (required)
- [Verifying Dialer Persistent](#) (optional)

The section “[Monitoring and Maintaining Dialer Persistence](#)” describes how to monitor and maintain the Dialer Persistent feature. See the section “[Configuration Examples](#)” for an example of how to configure the Dialer Persistent feature.

Configuring Dialer Persistent

To configure a dialer interface as persistent, use the following commands beginning in global configuration mode:

	Command	Purpose
Step 1	Router(config)# interface dialer <i>number</i>	Creates a dialer interface and enters interface configuration mode.
Step 2	Router(config-if)# ip address <i>address mask</i>	Specifies the IP address and mask of the dialer interface as a node in the destination network to be called.
Step 3	Router(config-if)# encapsulation <i>type</i>	Specifies the encapsulation type.
Step 4	Router(config-if)# dialer string <i>dial-string class class-name</i>	Specifies the remote destination to call and the map class that defines characteristics for calls to this destination.
Step 5	Router(config-if)# dialer pool <i>number</i>	Specifies the dialing pool to use for calls to this destination.
Step 6	Router(config-if)# dialer-group <i>group-number</i>	Assigns the dialer interface to a dialer group.
Step 7	Router(config-if)# dialer-list <i>dialer-group protocol protocol-name {permit deny list access-list-number}</i>	Specifies an access list by list number or by protocol and list number to define the interesting packets that can trigger a call.
Step 8	Router(config-if)# dialer remote-name <i>user-name</i>	(Optional) Specifies the authentication name of the remote router on the destination subnetwork for a dialer interface.
Step 9	Router(config-if)# dialer persistent [delay [<i>initial</i>] <i>seconds</i> max-attempts <i>number</i>]	Forces a dialer interface to be connected at all times, even in the absence of interesting traffic.

See the configuration example in the section “[Configuration Examples](#)” and the “Examples” section in the **dialer persistent** command reference page for additional commands that might be entered for this configuration.

Shutting Down an Interface Configured for Dialer Persistence

To fully tear down (shut down) a dialer interface configured for dialer persistent, use the following commands beginning in global configuration mode:

	Command	Purpose
Step 1	Router(config)# interface dialer <i>number</i>	Enters interface configuration mode on the specified dialer interface.
Step 2	Router(config-if)# shutdown	Fully tears down a persistent connection and prevents the software from attempting more dialing.

Verifying Dialer Persistent

To verify that dialer persistent is configured correctly, perform the following verification steps:

- Step 1** Enter the **show dialer interface** EXEC command with the interface type and number to display statistics on the physical interface bound to the dialer interface. Output includes the configured timers. The “Idle timer (never)” and “Dial reason:” lines indicate that persistent dialing is configured.

```
Router# show dialer interface dialer 1

Dial - dialer type = DIALER PROFILE
Idle timer (never), Fast idle timer (20 secs)
Wait for carrier (30 secs), Re-enable (15 secs)
Dialer state is data link layer up
Number of active calls = 1

Dial String      Successes  Failures  Last DNIS  Last status
7135551234 4          0         00:00:06   successful  Default

BRI1/0 - dialer type = ISDN

Dial String      Successes  Failures  Last DNIS  Last status
0 incoming call(s) have been screened.
0 incoming call(s) rejected for callback.

BRI1/0:2 - dialer type = ISDN
Idle timer (never), Fast idle timer (20 secs)
Wait for carrier (30 secs), Re-enable (15 secs)
Dialer state is data link layer up
Dial reason: Dialing on persistent Dialer Profile
Interface bound to profile Dial
Time until disconnect never
Current call connected 00:00:06
Connected to 7135550134 (7135550134)
```

- Step 2** Enter the **debug dialer** EXEC command and verify that the following message appears:

```
Dial DDR: Persistent Dialer Profile nailed up successfully
```

Monitoring and Maintaining Dialer Persistence

To monitor and maintain a dialer interface configured for dialer persistent, use the following commands in EXEC mode, as needed:

Command	Purpose
Router# clear interface	When dialer persistent is configured, the clear interface command clears unsuccessful dial attempts on a line without interesting traffic, and then the dialer software attempts to bring up the connection as persistent.
Router# debug dialer	Displays debugging information about the packets received on a dialer interface.

Configuration Examples

This section provides the following Dialer Persistent configuration examples:

- [Standard Dialer Persistent Configuration Example](#)

- [Dialer Persistent Plus Failed Connection Delays Configuration Example](#)

Standard Dialer Persistent Configuration Example

The following example shows how to configure a 5-second initial delay before the persistent connection is established:

```
!
interface dialer 1
 ip address negotiated
 encapsulation ppp
 dialer pool 1
 dialer remote-name remotel
 dialer idle-timeout 0 either
 dialer string 7135550199
 dialer persistent delay initial 5
 ppp authentication chap
 ppp chap hostname DDR
 ppp chap password secret
!
ip classless
ip route 0.0.0.0 0.0.0.0 dialer 1
ip route 172.30.21.0 255.255.255.0 1.1.1.5
ip route 172.30.114.0 255.255.255.0 172.30.21.1
no ip http server
!
!
map-class dialer test
 dialer isdn speed 56
access-list 183 permit ip host 10.239.28.2 host 10.239.28.128
access-list 183 permit ip host 10.239.28.128 host 10.239.28.2
!
```

Dialer Persistent Plus Failed Connection Delays Configuration Example

The following example shows how to configure a 1-minute delay at boot-up, and a 10-second delay for redialing after a failed connection with a maximum of five tries before stopping:

```
!
interface dialer 1
 ip address negotiated
 encapsulation ppp
 dialer pool 1
 dialer remote-name remotel
 dialer idle-timeout 0 either
 dialer string 7135550199
 dialer persistent delay initial 60
 dialer persistent delay 10
 dialer persistent max-attempts 5
 ppp authentication chap
 ppp chap hostname DDR
 ppp chap password mysecret
!
ip classless
ip route 0.0.0.0 0.0.0.0 dialer 1
ip route 172.30.21.0 255.255.255.0 1.1.1.5
ip route 172.30.114.0 255.255.255.0 172.30.21.1
no ip http server
!
```



```
!  
map-class dialer test  
  dialer isdn speed 56  
access-list 183 permit ip host 10.239.28.2 host 10.239.28.128  
access-list 183 permit ip host 10.239.28.128 host 10.239.28.2  
!
```

Command Reference

The following commands are introduced or modified in the feature or features documented in this module. For information about these commands, see the *Cisco IOS Dial Technologies Command Reference* at http://www.cisco.com/en/US/docs/ios/dial/command/reference/dia_book.html. For information about all Cisco IOS commands, go to the Command Lookup Tool at <http://tools.cisco.com/Support/CLILookup> or to the *Cisco IOS Master Commands List*.

- **dialer persistent**

Glossary

interesting packets—Dialer access lists are central to the operation of DDR. In general, access lists are used as the screening criteria for determining when to initiate DDR calls. All packets are tested against the dialer access list. Packets that match a permit entry are deemed *interesting*.

persistent connection—A connection that is brought up even without interesting traffic, and is not torn down until the **shutdown** interface configuration command is entered on the interface.

Cisco and the Cisco Logo are trademarks of Cisco Systems, Inc. and/or its affiliates in the U.S. and other countries. A listing of Cisco's trademarks can be found at www.cisco.com/go/trademarks. Third party trademarks mentioned are the property of their respective owners. The use of the word partner does not imply a partnership relationship between Cisco and any other company. (1005R)

Any Internet Protocol (IP) addresses and phone numbers used in this document are not intended to be actual addresses and phone numbers. Any examples, command display output, network topology diagrams, and other figures included in the document are shown for illustrative purposes only. Any use of actual IP addresses or phone numbers in illustrative content is unintentional and coincidental.

© 2007–2009 Cisco Systems, Inc. All rights reserved.



PPPoE Client DDR Idle-Timer

The PPPoE Client DDR Idle-Timer feature supports the dial-on-demand routing (DDR) interesting traffic control list functionality of the dialer interface with a PPP over Ethernet (PPPoE) client, but also keeps original functionality (PPPoE connection up and always on after configuration) for those PPPoE clients that require it.

Feature Specifications for the PPPoE Client DDR Idle-Timer Feature

Feature History

Release	Modification
12.2(13)T	This feature was introduced.

Finding Support Information for Platforms and Cisco IOS Software Images

Use Cisco Feature Navigator to find information about platform support and Cisco IOS software image support. Access Cisco Feature Navigator at <http://www.cisco.com/go/fn>. You must have an account on Cisco.com. If you do not have an account or have forgotten your username or password, click **Cancel** at the login dialog box and follow the instructions that appear.

Contents

- [Prerequisites for Using the PPPoE Client DDR Idle-Timer, page 776](#)
- [Information About the PPPoE Client DDR Idle-Timer, page 776](#)
- [How to Configure the PPPoE Client DDR Idle-Timer, page 777](#)
- [Configuration Examples for PPPoE Client DDR Idle-Timer, page 781](#)
- [Additional References, page 782](#)
- [Command Reference, page 783](#)



Prerequisites for Using the PPPoE Client DDR Idle-Timer

Before configuring the PPPoE Client DDR Idle-Timer feature, you must understand the concept of DDR interesting packets and access control lists and PPPoE Stage Protocols. See the [“Additional References” section on page 782](#) for links to the documents describing these concepts.

Information About the PPPoE Client DDR Idle-Timer

To configure the PPPoE client DDR idle-timer, you need to understand the following concept:

- [DDR Functionality and the PPPoE Client, page 776](#)

DDR Functionality and the PPPoE Client

Before Cisco IOS Release 12.2(13)T, the DDR interesting traffic control list functionality of the dialer interface was not supported for PPPoE. However, the PPPoE Client DDR Idle-Timer feature, available as part of Cisco IOS Release 12.2(13)T, now supports this DDR functionality for a PPPoE client.

Protocol access lists and dialer access lists are central to the operation of DDR. Access lists are used as the screening criteria for determining when to initiate DDR calls. All packets are tested against the dialer access list. Packets that match a permit entry are deemed *interesting*. Packets that do not match a permit entry or that do match a deny entry are deemed uninteresting. When a packet is found to be interesting, either the dialer idle timer is reset (if the line is active) or a connection is attempted (assuming the line is available but not active). If a tested packet is deemed uninteresting, it will be forwarded if it is intended for a destination known to be on a specific interface and the link is active. However, such a packet will not initiate a DDR call and will not reset the idle timer. If dialer idle timer expires, the dialer interface calls a PPPoE function to tear down the connection.

A new command, **pppoe-client dial-pool-number**, allows configuring a DDR interesting traffic control list for PPPoE connections, but also keeps original connection functionality for those PPPoE clients that require it. If you do not require DDR, the PPPoE connection will be up and always on after configuration. If you do require DDR functionality, the connection will be brought up when interesting traffic comes in from the LAN interface and brought down after the dialer idle timer expires. Interesting traffic that comes from WAN interface will only reset the dialer idle timer.

Protocol access lists and dialer access lists have already been implemented in the dialer interface for the operation of DDR. For a PPPoE client, access lists are used as the screening criteria for determining if PPPoE Discovery initiation or a dialer idle timer reset is needed. But a protocol access list is not required for this feature; it depends on your network needs. An access-list can be configured and associated with dialer-list, or you can configure only the dialer list.

All packets destined to the dialer interface are tested against the dialer access list. Packets that match a permit entry are deemed interesting. Packets that do not match a permit entry or that do match a deny entry are deemed uninteresting. When a packet is found to be interesting, the dialer idle timer will be reset if the PPPoE session has already been set up, or a PPPoE Discovery will be attempted if there is no PPPoE session. If a tested packet is deemed uninteresting, it will not initiate PPPoE Discovery and will not reset the idle timer.

How to Configure the PPPoE Client DDR Idle-Timer

This section contains the following procedures. Each procedure is identified as either required or optional.

- [Configure the PPPoE Client DDR Idle-Timer on an ATM PVC Interface, page 777](#) (required)
- [Configure the PPPoE Client DDR Idle-Timer on an Ethernet Interface, page 778](#) (required)
- [Configure the Dialer Interface, page 779](#) (required)

Configure the PPPoE Client DDR Idle-Timer on an ATM PVC Interface

To configure the PPPoE client DDR idle-timer in interface-ATM-VC configuration mode, use the following commands:

SUMMARY STEPS

1. **enable**
2. **configure** { **terminal** | **memory** | **network** }
3. **interface atm** *atm-interface-number*
4. **pvc** *vpi/vci*
5. **pppoe-client dial-pool-number** *number* [**dial-on-demand**]
6. **exit**

DETAILED STEPS

	Command or Action	Purpose
Step 1	enable Example: Router> enable	Enables higher privilege levels, such as privileged EXEC mode. • Enter your password if prompted.
Step 2	configure { terminal memory network } Example: Router# configure terminal	Enters global configuration mode.
Step 3	interface atm <i>atm-interface-number</i> Example: Router# interface atm 2/0	Configures an ATM interface type and enters interface configuration mode.
Step 4	pvc <i>vpi/vci</i> Example: Router(config-if)# pvc 2/100	Creates an ATM permanent virtual circuit (PVC) and enters interface-ATM-VC configuration mode.

	Command or Action	Purpose
Step 5	<pre>pppoe-client dial-pool-number <i>number</i> [dial-on-demand]</pre> <p>Example: Router(config-if-atm-vc)# pppoe-client dial-pool-number 1 dial-on-demand</p>	<p>Configures DDR interesting traffic control list functionality of the dialer interface with a PPPoE client.</p> <ul style="list-style-type: none"> The optional dial-on-demand keyword enables DDR functionality on the PPPoE connection.
Step 6	<pre>exit</pre> <p>Example: Router(config-if-atm-vc)# exit</p>	<p>Exits the configuration mode.</p> <ul style="list-style-type: none"> Enter the exit command at each configuration mode to leave that mode.

What to Do Next

To support DDR functionality for the PPPoE client, DDR functionality *must* be configured. See the [“Configure the Dialer Interface” section on page 779](#) for the steps to do this.

Configure the PPPoE Client DDR Idle-Timer on an Ethernet Interface

To configure the PPPoE client DDR idle-timer on an Ethernet interface, use the following commands:

SUMMARY STEPS

1. **enable**
2. **configure {terminal | memory | network}**
3. **interface ethernet** *ethernet-number*
4. **pppoe enable**
5. **pppoe-client dial-pool-number** *number* [**dial-on-demand**]

DETAILED STEPS

	Command or Action	Purpose
Step 1	<pre>enable</pre> <p>Example: Router> enable</p>	<p>Enables higher privilege levels, such as privileged EXEC mode.</p> <ul style="list-style-type: none"> Enter your password if prompted.
Step 2	<pre>configure {terminal memory network}</pre> <p>Example: Router# configure terminal</p>	<p>Enters global configuration mode.</p>
Step 3	<pre>interface ethernet <i>ethernet-number</i></pre> <p>Example: Router# interface ethernet 1</p>	<p>Configures an Ethernet interface and enters interface configuration mode.</p>

	Command or Action	Purpose
Step 4	<code>pppoe enable</code> Example: Router(config-if)# pppoe enable	Enables PPPoE sessions on an Ethernet interface.
Step 5	<code>pppoe-client dial-pool-number number</code> <code>[dial-on-demand]</code> Example: Router(config-if)# pppoe-client dial-pool-number 1 dial-on-demand	Configures DDR interesting traffic control list functionality of the dialer interface with a PPPoE client. <ul style="list-style-type: none"> The optional dial-on-demand keyword enables DDR functionality on the PPPoE connection.
Step 6	<code>exit</code> Example: Router(config-if-atm-vc)# exit	Exits the configuration mode. <ul style="list-style-type: none"> Enter the exit command at each configuration mode to leave that mode.

What to Do Next

To support DDR functionality for the PPPoE client, DDR functionality *must* be configured. See the [“Configure the Dialer Interface”](#) section for the steps to do this.

Configure the Dialer Interface

To configure the dialer interface (required when using the `pppoe-client dial-pool-number` command), you must also configure the following commands:

SUMMARY STEPS

- `enable`
- `configure {terminal | memory | network}`
- `interface dialer dialer-rotary-group-number`
- `dialer idle-timeout seconds [inbound | either]`
- `dialer hold-queue packets [timeout seconds]`
- `dialer-group group-number`
- `exit`
- `dialer-list dialer-group protocol protocol-name {permit | deny | list access-list-number | access-group}`

DETAILED STEPS

	Command or Action	Purpose
Step 1	enable Example: Router> enable	Enables higher privilege levels, such as privileged EXEC mode. • Enter your password if prompted.
Step 2	configure { terminal memory network } Example: Router# configure terminal	Enters global configuration mode.
Step 3	interface dialer <i>dialer-rotary-group-number</i> Example: Router# interface dialer 1	Defines a dialer rotary group and enters interface configuration mode.
Step 4	dialer idle-timeout <i>seconds</i> [inbound either] Example: Router(config-if)# dialer idle-timeout 180 either	Specifies the duration of idle time before a line is disconnected. • inbound —Only inbound traffic will reset the idle timeout. • either —Both inbound and outbound traffic will reset the idle timeout.
Step 5	dialer hold-queue <i>packets</i> [timeout <i>seconds</i>] Example: Router(config-if)# dialer hold-queue 100	Allows interesting outgoing packets to be queued until a modem connection is established. • timeout —Amount of time, in seconds, to queue the packets.
Step 6	dialer-group <i>group-number</i> Example: Router(config-if)# dialer-group 1	Controls access by configuring an interface to belong to a specific dialing group.
Step 7	exit Example: Router(config-if)# exit	Leaves interface configuration mode and returns to global configuration mode.
Step 8	dialer-list <i>dialer-group</i> protocol <i>protocol-name</i> { permit deny list <i>access-list-number</i> <i>access-group</i> } Example: Router(config)# dialer-list 1 protocol ip permit	Defines a DDR dialer list for dialing by protocol or by a combination of a protocol and a previously defined access list. • permit and deny —Configure access permissions. • list —Specifies that an access list will be used for defining a granularity finer than an entire protocol.

Configuration Examples for PPPoE Client DDR Idle-Timer

This section provides configuration examples to match the identified configuration tasks in the previous sections. The dialer interface configurations for each interface type required by the **pppoe-client dial-pool-number** command are included in the following client configuration examples:

- [PPPoEoA Client Configuration Example, page 781](#)
- [PPPoEoE Client Configuration Example, page 781](#)

PPPoEoA Client Configuration Example

The following example shows how to configure the PPPoE client DDR idle-timer on an ATM PVC interface:

```
!  
vpdn enable  
no vpdn logging  
!  
vpdn-group 1  
  request-dialin  
  protocol pppoe  
!  
interface ATM2/0  
  pvc 2/100  
    pppoe-client dial-pool-number 1 dial-on-demand  
!  
interface Dialer1  
  ip address negotiated  
  ip mtu 1492  
  encapsulation ppp  
  dialer pool 1  
  dialer idle-timeout 180 either  
  dialer hold-queue 100  
  dialer-group 1  
!  
dialer-list 1 protocol ip permit  
!  
ip route 0.0.0.0 0.0.0.0 Dialer1
```

PPPoEoE Client Configuration Example

The following example shows how to configure the PPPoE client DDR idle-timer on an Ethernet interface:

```
!  
vpdn enable  
no vpdn logging  
!  
vpdn-group 1  
  request-dialin  
  protocol pppoe  
!  
interface Ethernet1  
  pppoe enable  
  pppoe-client dial-pool-number 1 dial-on-demand  
!  
interface Dialer1  
  ip address negotiated
```

```

ip mtu 1492
encapsulation ppp
dialer pool 1
dialer idle-timeout 180 either
dialer hold-queue 100
dialer-group 1
!
dialer-list 1 protocol ip permit
!
ip route 0.0.0.0 0.0.0.0 Dialer1

```

Additional References

For additional information related to the PPPoE client DDR idle-timer, refer to the following references:

Related Documents

Related Topic	Document Title
DDR interesting packets and access control lists	Cisco IOS Dial Technologies Configuration Guide . See the section “Configuring Access Control for Outgoing Calls “ in the chapter “Configuring Legacy DDR Hubs.”
DDR and dialer commands: complete command syntax, command mode, defaults, usage guidelines, and examples	Cisco IOS Dial Technologies Command Reference .
PPPoE Client DDR Idle-Timer	Cisco IOS Broadband Access Aggregation and DSL Configuration Guide .
PPPoE configuration commands: complete command syntax, command mode, defaults, usage guidelines, and example	Cisco IOS Wide-Area Networking Command Reference .

Standards

Standards	Title
None	—

MIBs

MIBs	MIBs Link
None	To obtain lists of supported MIBs by platform and Cisco IOS release, and to download MIB modules, go to the Cisco MIB website on Cisco.com at the following URL: http://www.cisco.com/public/sw-center/netmgmt/cmtk/mibs.shtml

To locate and download MIBs for selected platforms, Cisco IOS releases, and feature sets, use Cisco MIB Locator found at the following URL:

<http://tools.cisco.com/ITDIT/MIBS/servlet/index>

If Cisco MIB Locator does not support the MIB information that you need, you can also obtain a list of supported MIBs and download MIBs from the Cisco MIBs page at the following URL:

<http://www.cisco.com/public/sw-center/netmgmt/cmtk/mibs.shtml>

To access Cisco MIB Locator, you must have an account on Cisco.com. If you have forgotten or lost your account information, send a blank e-mail to cco-locksmith@cisco.com. An automatic check will verify that your e-mail address is registered with Cisco.com. If the check is successful, account details with a new random password will be e-mailed to you. Qualified users can establish an account on Cisco.com by following the directions found at this URL:

<http://www.cisco.com/register>

RFCs

RFCs	Title
None	—

Technical Assistance

Description	Link
Technical Assistance Center (TAC) home page, containing 30,000 pages of searchable technical content, including links to products, technologies, solutions, technical tips, tools, and lots more. Registered Cisco.com users can log in from this page to access even more content.	http://www.cisco.com/public/support/tac/home.shtml

Command Reference

The following modified command is pertinent to this feature. To see the command pages for this command and other commands used with this feature, go to the *Cisco IOS Master Commands List*, at http://www.cisco.com/en/US/docs/ios/mcl/allreleasemcl/all_book.html.

- **pppoe-client dial-pool-number**

Cisco and the Cisco Logo are trademarks of Cisco Systems, Inc. and/or its affiliates in the U.S. and other countries. A listing of Cisco's trademarks can be found at www.cisco.com/go/trademarks. Third party trademarks mentioned are the property of their respective owners. The use of the word partner does not imply a partnership relationship between Cisco and any other company. (1005R)

Any Internet Protocol (IP) addresses and phone numbers used in this document are not intended to be actual addresses and phone numbers. Any examples, command display output, network topology diagrams, and other figures included in the document are shown for illustrative purposes only. Any use of actual IP addresses or phone numbers in illustrative content is unintentional and coincidental.

© 2007–2009 Cisco Systems, Inc. All rights reserved.



Redial Enhancements

Feature History

Release	Modification
12.2(4)T	This feature was introduced.
12.2(4)T2	Support for the Cisco 7500 series routers was added.

This document describes the Redial Enhancements feature for Cisco IOS Release 12.2(4)T. It includes the following sections:

- [Feature Overview, page 785](#)
- [Supported Platforms, page 786](#)
- [Supported Standards, MIBs, and RFCs, page 787](#)
- [Configuration Tasks, page 787](#)
- [Configuration Examples, page 791](#)
- [Command Reference, page 791](#)

Feature Overview

The Redial Enhancements feature improves the performance of redial and provides greater control over redial behavior. The dialer will now cycle through all matching dialer strings or dialer maps before applying the redial interval, and may select a different physical dialer on each redial attempt. New dial-out attempts will not be initiated if a redial to the same destination is pending. The dialer can now be configured to apply a disable timer without performing any redial attempts, and a disable time can be applied to a dialer profile interface and to a serial dialer.

By default, the Cisco IOS software considers a call successful if it connects at the physical layer (Layer 1 of the OSI reference model). However, problems such as poor quality telco circuits or peer misconfiguration can cause dial-out failure even though a connection is made at the physical layer. The Redial Enhancements feature introduces a new command that allows the router to be configured to wait a specific amount of time for a line protocol to come up before considering a dial-out attempt successful.



If the timer runs out or the call is dropped before the line protocol comes up, the call is considered unsuccessful. Unsuccessful dial-out attempts will trigger redial if the redial options have been configured.

Benefits

The Redial Enhancements feature will reduce dialer congestion by preventing additional dial-out attempts to any locations which have a redial attempt pending. This can reduce your telco bills by limiting unnecessary dial-out attempts. In addition, the router may now be configured to wait for the line protocol to come up before considering a dial-out attempt successful.

Restrictions

The **dialer wait-for-line-protocol** command is supported only with the PPP encapsulation protocol.

Related Documents

- *Cisco IOS Dial Technologies Configuration Guide*, Release 12.2
- *Cisco IOS Dial Technologies Command Reference*, Release 12.2

Supported Platforms

- Cisco 800 series
- Cisco 1000 series
- Cisco 1600 series
- Cisco 2500 series
- Cisco 2600 series
- Cisco 3600 series
- Cisco 7200 series
- Cisco 7500 series

Platform Support Through Feature Navigator

Cisco IOS software is packaged in feature sets that support specific platforms. To get updated information regarding platform support for this feature, access Feature Navigator. Feature Navigator dynamically updates the list of supported platforms as new platform support is added for the feature.

Feature Navigator is a web-based tool that enables you to quickly determine which Cisco IOS software images support a specific set of features and which features are supported in a specific Cisco IOS image.

To access Feature Navigator, you must have an account on Cisco.com. If you have forgotten or lost your account information, e-mail the Contact Database Administration group at cdbadmin@cisco.com. If you want to establish an account on Cisco.com, go to <http://www.cisco.com/register> and follow the directions to establish an account.

Feature Navigator is updated when major Cisco IOS software releases and technology releases occur. As of May 2001, Feature Navigator supports M, T, E, S, and ST releases. You can access Feature Navigator at the following URL:

<http://www.cisco.com/go/fn>

Supported Standards, MIBs, and RFCs

Standards

No new or modified standards are supported by this feature.

MIBs

No new or modified MIBs are supported by this feature.

To obtain lists of supported MIBs by platform and Cisco IOS release, and to download MIB modules, go to the Cisco MIB website on Cisco.com at the following URL:

<http://www.cisco.com/public/sw-center/netmgmt/cmtk/mibs.shtml>

RFCs

No new or modified RFCs are supported by this feature.

Configuration Tasks

See the following sections for configuration tasks for the Redial Enhancements feature. Each task in the list is identified as either required or optional:

- [Configuring Redial Options](#) (optional)
- [Configuring the Dialer to Wait for a Line Protocol](#) (optional)
- [Verifying Redial Configuration](#) (optional)

Configuring Redial Options

To configure redial options, use the following commands beginning in global configuration mode:

	Command	Purpose
Step 1	Router(config)# interface dialer	Enters interface configuration mode.
Step 2	Router(config-if)# dialer redial interval time attempts number re-enable disable-time	Configures redial options on the router.

Configuring the Dialer to Wait for a Line Protocol

To configure the router to wait for a line protocol after connecting to the physical layer, use the following commands beginning in global configuration mode:

	Command	Purpose
Step 1	Router(config)# interface dialer	Enters interface configuration mode.
Step 2	Router(config-if)# dialer wait-for-line-protocol <i>time</i>	Configures the router to wait for a line protocol after connecting to the physical layer.

Verifying Redial Configuration

To verify the configuration of redial options, perform the following steps:

- Step 1** Initiate a dial-out attempt to a location that is likely to fail to connect on the first attempt.
- Step 2** Enter the **debug dialer events** command. The following debug output results from a dial-out attempt that failed to connect on both the initial attempt and two redial attempts:

```

Target IP address:10.0.0.2
Repeat count [5]:1
Datagram size [100]:
Timeout in seconds [2]:
Extended commands [n]:
Sweep range of sizes [n]:
Type escape sequence to abort.
Sending 1, 100-byte ICMP Echos to 10.0.0.2, timeout is 2 seconds:

*Mar  1 02:26:52.567:BR0/0 DDR:rotor dialout [priority]
*Mar  1 02:26:52.567:BR0/0 DDR:Dialing cause ip (s=10.0.0.1, d=10.0.0.2)
*Mar  1 02:26:52.567:BR0/0 DDR:Attempting to dial 6109
*Mar  1 02:26:52.739:BRI0/0:wait for isdn carrier timeout, call id=0x800B
*Mar  1 02:26:52.739:Di1 DDR:Redial:Created for ip (s=10.0.0.1, d=10.0.0.2).
!This is new debug output specific to redial configuration.
Success rate is 0 percent (0/1)
led#
*Mar  1 02:27:22.739:Di1 DDR:Redial:Timeout
!This is new debug output specific to redial configuration.
*Mar  1 02:27:22.739:BR0/0 DDR:rotor dialout [priority]
*Mar  1 02:27:22.739:Di1 DDR:Redialing on BR0/0 for ip (s=10.0.0.1, d=10.0.0.2) (attempt
1)
!This is new debug output specific to redial configuration.
*Mar  1 02:27:22.739:BR0/0 DDR:Dialing cause ip (s=10.0.0.1, d=10.0.0.2)
*Mar  1 02:27:22.739:BR0/0 DDR:Attempting to dial 6109
*Mar  1 02:27:22.939:BRI0/0:wait for isdn carrier timeout, call id=0x800C
led#
*Mar  1 02:27:52.939:Di1 DDR:Redial:Timeout
!This is new debug output specific to redial configuration.
*Mar  1 02:27:52.939:BR0/0 DDR:rotor dialout [priority]
*Mar  1 02:27:52.939:Di1 DDR:Redialing on BR0/0 for ip (s=10.0.0.1, d=10.0.0.2) (attempt
2)
!This is new debug output specific to redial configuration.
*Mar  1 02:27:52.939:BR0/0 DDR:Dialing cause ip (s=10.0.0.1, d=10.0.0.2)
*Mar  1 02:27:52.939:BR0/0 DDR:Attempting to dial 6109
*Mar  1 02:27:53.135:BRI0/0:wait for isdn carrier timeout, call id=0x800D
*Mar  1 02:27:53.139:Di1 DDR:Redial:Removed for ip (s=10.0.0.1, d=10.0.0.2) (2 attempts
tried)
!This is new debug output specific to redial configuration.
led#
led#

```


The following debug output results from a dial-out attempt that failed to connect initially, but succeeded on the first redial attempt:

```
Router# ping

Protocol [ip]:
Target IP address:10.0.0.2
Repeat count [5]:1
Datagram size [100]:
Timeout in seconds [2]:
Extended commands [n]:
Sweep range of sizes [n]:
Type escape sequence to abort.
Sending 1, 100-byte ICMP Echos to 10.0.0.2, timeout is 2 seconds:

*Mar  1 02:28:47.095:BR0/0 DDR:rotor dialout [priority]
*Mar  1 02:28:47.099:BR0/0 DDR:Dialing cause ip (s=10.0.0.1, d=10.0.0.2)
*Mar  1 02:28:47.099:BR0/0 DDR:Attempting to dial 6109
*Mar  1 02:28:47.287:BR10/0:wait for isdn carrier timeout, call id=0x800E
*Mar  1 02:28:47.287:Di1 DDR:Redial:Created for ip (s=10.0.0.1, d=10.0.0.2).
!This is new debug output specific to redial configuration.
Success rate is 0 percent (0/1)
led#
*Mar  1 02:29:17.287:Di1 DDR:Redial:Timeout
!This is new debug output specific to redial configuration.
*Mar  1 02:29:17.287:BR0/0 DDR:rotor dialout [priority]
*Mar  1 02:29:17.287:Di1 DDR:Redialing on BR0/0 for ip (s=10.0.0.1, d=10.0.0.2) (attempt
1)
!This is new debug output specific to redial configuration.
*Mar  1 02:29:17.287:BR0/0 DDR:Dialing cause ip (s=10.0.0.1, d=10.0.0.2)
*Mar  1 02:29:17.287:BR0/0 DDR:Attempting to dial 6109
02:29:77309411327:%LINK-3-UPDOWN:Interface BRI0/0:1, changed state to up
*Mar  1 02:29:17.487:Di1 DDR:Redial:Upon call connection
!This is new debug output specific to redial configuration.
*Mar  1 02:29:17.487:Di1 DDR:Redial:Removed for ip (s=10.0.0.1, d=10.0.0.2) (1 attempts
tried)
!This is new debug output specific to redial configuration.
*Mar  1 02:29:17.487:BR0/0:1:interface must be fifo queue, force fifo
02:29:77309411327:%DIALER-6-BIND:Interface BR0/0:1 bound to profile Di1
*Mar  1 02:29:19.455:BR0/0:1 DDR:No callback negotiated
*Mar  1 02:29:19.471:BR0/0:1 DDR:dialer protocol up
02:29:20:%LINEPROTO-5-UPDOWN:Line protocol on Interface BRI0/0:1, changed state to up
led#
led#
```

The following debug output results from a call that failed to connect to a line protocol during either the initial dial-out attempt or the first redial attempt. The connection was successfully made on the second redial attempt. The router was configured with both the **dialer wait-for-line-protocol** and **dialer redial** commands. In this example, the **dialer wait-for-line-protocol** command was configured to wait 10 seconds for the line protocol to come up.

```
Zcape sequence to abort.
Sending 5, 100-byte ICMP Echos to 10.0.0.2, timeout is 2 seconds:

*Mar  1 02:32:08.631:BR0/0 DDR:rotor dialout [priority]
*Mar  1 02:32:08.631:BR0/0 DDR:Dialing cause ip (s=10.0.0.1, d=10.0.0.2)
*Mar  1 02:32:08.631:BR0/0 DDR:Attempting to dial 6109
02:32:35168336435:%LINK-3-UPDOWN:Interface BRI0/0:1, changed state to up
*Mar  1 02:32:08.787:BR0/0:1:interface must be fifo queue, force fifo
02:32:38654705663:%DIALER-6-BIND:Interface BR0/0:1 bound to profile Di1....
Success rate is 0 percent (0/5)
led#
*Mar  1 02:32:18.787:BR0/0:1 DDR:wait for line protocol timeout
```

```

!This is new debug output specific to waiting for a line protocol to come up.
*Mar 1 02:32:18.787:BR0/0 DDR:has total 0 call(s), dial_out 0, dial_in 0
02:32:18:%DIALER-6-UNBIND:Interface BR0/0:1 unbound from profile Di1
*Mar 1 02:32:18.787:BR0/0:1 DDR:disconnecting call
*Mar 1 02:32:18.787:Di1 DDR:Redial:Created for ip (s=10.0.0.1, d=10.0.0.2)
!This is new debug output specific to redial configuration.
02:32:18:%ISDN-6-CONNECT:Interface BRI0/0:1 is now connected to 6109
02:32:18:%ISDN-6-DISCONNECT:Interface BRI0/0:1 disconnected from 6109 , call lasted 10
seconds
02:32:79471714404:%LINK-3-UPDOWN:Interface BRI0/0:1, changed state to down
*Mar 1 02:32:18.879:BR0/0:1 DDR:disconnecting call
led#
led#
*Mar 1 02:32:48.787:Di1 DDR:Redial:Timeout
!This is new debug output specific to redial configuration.
*Mar 1 02:32:48.787:BR0/0 DDR:rotor dialout [priority]
*Mar 1 02:32:48.787:Di1 DDR:Redialing on BR0/0 for ip (s=10.0.0.1, d=10.0.0.2) (attempt
1)
!This is new debug output specific to redial configuration.
*Mar 1 02:32:48.787:BR0/0 DDR:Dialing cause ip (s=10.0.0.1, d=10.0.0.2)
*Mar 1 02:32:48.787:BR0/0 DDR:Attempting to dial 6109
02:32:208317874112:%LINK-3-UPDOWN:Interface BRI0/0:1, changed state to up
*Mar 1 02:32:48.987:BR0/0:1:interface must be fifo queue, force fifo
02:32:210453397503:%DIALER-6-BIND:Interface BR0/0:1 bound to profile Di1
led#
*Mar 1 02:32:58.987:BR0/0:1 DDR:wait for line protocol timeout
!This is new debug output specific to waiting for a line protocol to come up.
*Mar 1 02:32:58.987:BR0/0 DDR:has total 0 call(s), dial_out 0, dial_in 0
02:32:58:%DIALER-6-UNBIND:Interface BR0/0:1 unbound from profile Di1
*Mar 1 02:32:58.987:BR0/0:1 DDR:disconnecting call
02:32:58:%ISDN-6-CONNECT:Interface BRI0/0:1 is now connected to 6109
02:32:58:%ISDN-6-DISCONNECT:Interface BRI0/0:1 disconnected from 6109 , call lasted 10
seconds
02:32:255565373540:%LINK-3-UPDOWN:Interface BRI0/0:1, changed state to down
*Mar 1 02:32:59.079:BR0/0:1 DDR:disconnecting call
led#
led#
*Mar 1 02:33:28.987:Di1 DDR:Redial:Timeout
!This is new debug output specific to redial configuration.
*Mar 1 02:33:28.987:BR0/0 DDR:rotor dialout [priority]
*Mar 1 02:33:28.987:Di1 DDR:Redialing on BR0/0 for ip (s=10.0.0.1, d=10.0.0.2) (attempt
2)
!This is new debug output specific to redial configuration.
*Mar 1 02:33:28.987:BR0/0 DDR:Dialing cause ip (s=10.0.0.1, d=10.0.0.2)
*Mar 1 02:33:28.987:BR0/0 DDR:Attempting to dial 6109
02:33:126713495488:%LINK-3-UPDOWN:Interface BRI0/0:1, changed state to up
*Mar 1 02:33:29.187:BR0/0:1:interface must be fifo queue, force fifo
02:33:128849018879:%DIALER-6-BIND:Interface BR0/0:1 bound to profile Di1
*Mar 1 02:33:31.155:BR0/0:1 DDR:No callback negotiated
*Mar 1 02:33:31.171:BR0/0:1 DDR:dialer protocol up
*Mar 1 02:33:31.171:Di1 DDR:Redial:Upon line protocol up
!This is new debug output specific to redial configuration.
*Mar 1 02:33:31.175:Di1 DDR:Redial:Removed for ip (s=10.0.0.1, d=10.0.0.2) (2 attempts
tried)
!This is new debug output specific to redial configuration.
02:33:32:%LINEPROTO-5-UPDOWN:Line protocol on Interface BRI0/0:1, changed state to up
led#

```

Configuration Examples

This section provides the following configuration examples:

- [Dialer Redial Example](#)
- [Dialer Wait-for-Line-Protocol Example](#)

Dialer Redial Example

The following example configures redial options on the dialer:

```
dialer redial interval 10 attempts 5 re-enable 3000
```

Dialer Wait-for-Line-Protocol Example

The following example configures the dialer to wait for a line protocol after making a physical connection:

```
dialer wait-for-line-protocol 10
```

Command Reference

The following commands are introduced or modified in the feature or features documented in this module. For information about these commands, see the *Cisco IOS Dial Technologies Command Reference* at http://www.cisco.com/en/US/docs/ios/dial/command/reference/dia_book.html. For information about all Cisco IOS commands, go to the Command Lookup Tool at <http://tools.cisco.com/Support/CLILookup> or to the *Cisco IOS Master Commands List*.

New Command

- **dialer wait-for-line-protocol**

Modified Command

- **dialer redial**

Cisco and the Cisco Logo are trademarks of Cisco Systems, Inc. and/or its affiliates in the U.S. and other countries. A listing of Cisco's trademarks can be found at www.cisco.com/go/trademarks. Third party trademarks mentioned are the property of their respective owners. The use of the word partner does not imply a partnership relationship between Cisco and any other company. (1005R)

Any Internet Protocol (IP) addresses and phone numbers used in this document are not intended to be actual addresses and phone numbers. Any examples, command display output, network topology diagrams, and other figures included in the document are shown for illustrative purposes only. Any use of actual IP addresses or phone numbers in illustrative content is unintentional and coincidental.

© 200–2009 Cisco Systems, Inc. All rights reserved.



Rotating Through Dial Strings

Feature History

Release	Modification
12.2(8)T	This feature was introduced.

This document describes the Asynchronous Line Monitoring feature feature in Cisco IOS Release 12.2(8)T and includes the following sections:

- [Feature Overview, page 793](#)
- [Supported Platforms, page 794](#)
- [Supported Standards, MIBs, and RFCs, page 795](#)
- [Prerequisites, page 795](#)
- [Configuration Tasks, page 795](#)
- [Configuration Examples, page 797](#)
- [Command Reference, page 798](#)

Feature Overview

The Cisco IOS software allows multiple dial strings (telephone numbers) to be configured for outgoing calls. In previous releases of the Cisco IOS software, the dial string used for a particular outgoing call was always the first telephone number in the dial string list. It was not possible to customize the selection or otherwise participate in deciding which dial string should be used first. But in Cisco IOS Release 12.2(8)T, the Asynchronous Line Monitoring feature feature allows the order in which dial strings should be dialed to be specified.

Benefits

The Asynchronous Line Monitoring feature feature allows you to specify the dialing order when multiple dial strings are configured. Options for dialing order are as follows:

- Sequential—Dial using the first dial string configured in a list of multiple strings.



Americas Headquarters:
Cisco Systems, Inc., 170 West Tasman Drive, San Jose, CA 95134-1706 USA

- Round-robin—Dial using the dial string *following* the most recently successful dial string.
- Last successful call—Dial using the most recently successful dial string.

This feature takes advantage of information available from a previous call attempt, such as the call was unsuccessful or the line was busy, and thereby increases the rate of successful calls.

Related Documents

Additional information about configuring networks that can take advantage of the Asynchronous Line Monitoring feature can be found in the [Cisco IOS Dial Technologies Configuration Guide](#), refer to the chapter “Configuring Peer-to-Peer DDR with Dialer Profiles” in the part “Dial-on-Demand Routing Configuration.” In the same manual, also refer to the chapter “Configuring ISDN Caller ID Callback,” in the part “Callback and Bandwidth Allocation Configuration.”

Supported Platforms

- Cisco 1400 series
- Cisco 1600 series
- Cisco 1710
- Cisco 1720
- Cisco 1721
- Cisco 1750
- Cisco 1751
- Cisco 2400 series
- Cisco 2600 series
- Cisco 3620
- Cisco 3631
- Cisco 3640
- Cisco 3660
- Cisco 3725
- Cisco 3745
- Cisco 7100
- Cisco 7200
- Cisco 7500
- Cisco 7700
- Cisco 800 series
- Cisco 805
- Cisco 806
- Cisco 828
- Cisco MC3810

- Universal Route Module (URM)
- ubr7200

Determining Platform Support Through Feature Navigator

Cisco IOS software is packaged in feature sets that support specific platforms. To get updated information regarding platform support for this feature, access Feature Navigator. Feature Navigator dynamically updates the list of supported platforms as new platform support is added for the feature.

Feature Navigator is a web-based tool that enables you to quickly determine which Cisco IOS software images support a specific set of features and which features are supported in a specific Cisco IOS image.

To access Feature Navigator, you must have an account on Cisco.com. If you have forgotten or lost your account information, send a blank e-mail to cco-locksmith@cisco.com. An automatic check will verify that your e-mail address is registered with Cisco.com. If the check is successful, account details with a new random password will be e-mailed to you. Qualified users can establish an account on Cisco.com by following the directions at <http://www.cisco.com/register>.

Feature Navigator is updated regularly when major Cisco IOS software releases and technology releases occur. For the most current information, go to the Feature Navigator home page at the following URL:

<http://www.cisco.com/go/fn>

Supported Standards, MIBs, and RFCs

Standards

None

MIBs

None

To obtain lists of supported MIBs by platform and Cisco IOS release, and to download MIB modules, go to the Cisco MIB website on Cisco.com at the following URL:

<http://www.cisco.com/public/sw-center/netmgmt/cmtk/mibs.shtml>

RFCs

None

Prerequisites

The Asynchronous Line Monitoring feature is used in configurations that apply to both legacy dialers and dialer profiles. The dialing order you configure applies to dial strings configured on an interface by the **dialer string** and **dialer map** configuration commands. See the documents listed in the “[Related Documents](#)” section for more information about using these commands to configure dial strings.

Configuration Tasks

See the following sections for the configuration tasks for this feature. Each task in the list is identified as either required or optional.

- [Configuring the Order of Dial Strings](#) (required)
- [Verifying Dial String Order](#) (optional)

Configuring the Order of Dial Strings

To specify the order in which dial strings should be dialed, use the following command in interface configuration mode:

Command	Purpose
Router(config-if)# dialer order [sequential round-robin last-successful]	<p>Specifies the dialing order when multiple dial strings are configured. Use one of the following optional keywords:</p> <ul style="list-style-type: none"> • sequential—Starts dialing the first dial string configured in a list of multiple strings. • round-robin—Starts dialing using the dial string that occurs after the most recently successful dial string. • last-successful—Starts dialing using the most recently successful dial string.

The **dialer order** command keywords can be configured on a per-interface basis. You can use this command in interface configurations that apply to both legacy dialers and dialer profiles. See the [“Configuration Examples”](#) section to see how this command is used with both these dialer types.

Verifying Dial String Order

To verify that the dial string order is configured correctly, perform the following step:

- Step 1** To check the dial string order configuration, enter the **show running-config interface** command with the appropriate interface type at the privileged EXEC prompt:

```
Router# show running-config interface dialer 1
Building configuration...

Current configuration : 96 bytes
!
interface Dialer1
  no ip address
  dialer pool 1
  dialer order round-robin
  no cdp enable
end
```

Check that a **dialer order** command is listed in the configuration displayed. If no **dialer order** command is listed, that indicates the default sequential dial string order is configured.

- Step 2** To see a report of the call types, telephone numbers, and call duration, enter the **show isdn history** command at the privileged EXEC prompt:

```
Router# show isdn history
```


Troubleshooting Tips

To troubleshoot the Asynchronous Line Monitoring feature feature, use the **debug dialer** command in privileged EXEC mode.

Monitoring and Maintaining the Asynchronous Line Monitoring feature Feature

To monitor and maintain the Asynchronous Line Monitoring feature feature, use the EXEC commands included in the steps in the “[Verifying Dial String Order](#)” section.

Configuration Examples

This section provides the following configuration examples:

- Legacy Dialer with Multiple Dial Strings Example
- Dialer Profile Configuration with Multiple Dial Strings Example

Legacy Dialer with Multiple Dial Strings Example

The following example configures the dialing software to try the telephone number (dial string) of the last successful call when starting a new call, rather than the first telephone number in the list:

```
interface Serial0/0
 ip address 10.2.1.130 255.255.255.0
 encapsulation ppp
 dialer in-band
 dialer map ip 10.2.1.131 name jones1 modem-script test 5554004
 dialer map ip 10.2.1.131 name jones1 modem-script test 5554005
 dialer map ip 10.2.1.131 name jones1 modem-script test 5554006
 dialer-group 1
 dialer order last-successful
```

Dialer Profile Configuration with Multiple Dial Strings Example

The following example configures the dialing software to try the telephone number following the most recently used telephone number (dial string) when starting a new call, rather than the first telephone number in the list:

```
interface Dialer0
 ip address 10.1.1.130 255.255.255.0
 encapsulation ppp
 dialer pool 1
 dialer string 1904
 dialer string 1905
 dialer-group 1
```

```
dialer order round-robin
```

Command Reference

The following commands are introduced or modified in the feature or features documented in this module. For information about these commands, see the *Cisco IOS Dial Technologies Command Reference* at http://www.cisco.com/en/US/docs/ios/dial/command/reference/dia_book.html. For information about all Cisco IOS commands, go to the Command Lookup Tool at <http://tools.cisco.com/Support/CLILookup> or to the *Cisco IOS Master Commands List*

- **dialer order**

Cisco and the Cisco Logo are trademarks of Cisco Systems, Inc. and/or its affiliates in the U.S. and other countries. A listing of Cisco's trademarks can be found at www.cisco.com/go/trademarks. Third party trademarks mentioned are the property of their respective owners. The use of the word partner does not imply a partnership relationship between Cisco and any other company. (1005R)

Any Internet Protocol (IP) addresses and phone numbers used in this document are not intended to be actual addresses and phone numbers. Any examples, command display output, network topology diagrams, and other figures included in the document are shown for illustrative purposes only. Any use of actual IP addresses or phone numbers in illustrative content is unintentional and coincidental.

© 2007-2009 Cisco Systems, Inc. All rights reserved.



Configuring Dialer Cisco Express Forwarding

This document describes the Dialer Cisco Express Forwarding feature.

Feature History

Release	Modification
12.2(4)T	This feature was introduced.

Contents

This document includes the following sections:

- [Restrictions for Dialer Cisco Express Forwarding, page 799](#)
- [Information About Dialer Cisco Express Forwarding, page 800](#)
- [Supported Platforms, page 801](#)
- [Supported Standards, MIBs, and RFCs, page 802](#)
- [Configuration Tasks, page 802](#)
- [Monitoring and Maintaining Dialer Cisco Express Forwarding Interfaces, page 802](#)
- [Configuration Examples, page 803](#)

Restrictions for Dialer Cisco Express Forwarding

- The Dialer Cisco Express Forwarding feature is not supported when a static route points to the Dialer without specifying a next hop IP address. When using Cisco IOS Release 12.3(11)T and higher, the **ppp ipcp default route** command may be used in Dialer interface configuration mode to work around this restriction.
- Dialer interfaces do not support **ipv6 cef** switching.



Information About Dialer Cisco Express Forwarding

The Dialer Cisco Express Forwarding feature introduces Cisco Express Forwarding support for dialer interfaces. The Dialer Cisco Express Forwarding feature allows for packets to be Cisco Express Forwarding-switched across dialer interfaces rather than being low-end switched (LES) or fast-switched. Compared to fast-switching, Cisco Express Forwarding-switching support improves switching performance by decreasing CPU utilization and lowering the packet loss rate.

DDR-Dependent Implementation Decisions

You must decide whether to implement legacy dial-on-demand routing (DDR) or the newer dialer profiles.

Dialer Profiles

The dialer profiles implementation of DDR is based on a separation between logical and physical interface configuration. Dialer profiles also allow the logical and physical configurations to be bound together dynamically on a per-call basis.

Dialer profiles are advantageous when:

- you want to share an interface (ISDN, asynchronous, or synchronous serial) to place or receive calls.
- you want to change any configuration on a per-user basis.
- you want to maximize the ISDN channel usage by using the Dynamic Multiple Encapsulations feature to configure various encapsulation types and per-user configurations on the same ISDN B channel at different times according to the type of call.
- you want to bridge many destinations and avoid split horizon problems.

Most routed protocols are supported; however, International Organization for Standardization Connectionless Network Service (ISO CLNS) is not supported.

If you decide to configure dialer profiles, you must disable the validation of source addresses for the routed protocols you support.

For detailed dialer profiles information, see the “Configuring Peer-to-Peer DDR with Dialer Profiles” section in the *Cisco IOS Dial Technologies Configuration Guide*, Release 12.2.

For more information about Dynamic Multiple Encapsulations, see the “Dialer Profiles Configuration Task List” section in the *Cisco IOS Dial Technologies Configuration Guide*, Release 12.2.

Legacy DDR

Legacy DDR is powerful and comprehensive, but its limitations affect scaling and extensibility. Legacy DDR is based on a static binding between the per-destination call specification and the physical interface configuration.

However, legacy DDR has many strengths. It supports Frame Relay, ISO CLNS, LAPB, snapshot routing, and all routed protocols that are supported on Cisco routers. By default, legacy DDR supports fast-switching.

For information about simple legacy DDR spoke configurations, see the “Configuring Legacy DDR Spokes” chapter in the *Cisco IOS Dial Technologies Configuration Guide*, Release 12.2. For information about simple legacy DDR hub configurations, see the “Configuring Legacy DDR Hubs” chapter in the *Cisco IOS Dial Technologies Configuration Guide*, Release 12.2.

Benefits

Improved Performance

Cisco Express Forwarding is less CPU-intensive than fast-switching route caching. More CPU processing power can be dedicated to Layer 3 services such as quality of service (QoS) and encryption.

Resilience

Cisco Express Forwarding offers an unprecedented level of switching consistency and stability in large dynamic networks. In dynamic networks, fast-switched cache entries are frequently invalidated due to routing changes. These changes can cause traffic to be process-switched by using the routing table, rather than fast-switched by using the route cache. Because the Forwarding Information Base (FIB) lookup table contains all the known routes that exist in the routing table, it eliminates route cache maintenance and the fast-switch or process-switch forwarding scenario. Cisco Express Forwarding can switch traffic more efficiently than the typical demand caching schemes.

Although you can use Cisco Express Forwarding in any part of a network, it is designed for high-performance, highly resilient Layer 3 IP backbone-switching.

Related Documents

- *Cisco IOS Dial Technologies Configuration Guide*, Release 12.2
- *Cisco IOS Dial Technologies Command Reference*, Release 12.2

Supported Platforms

- Cisco 1003 router
- Cisco 1004 router
- Cisco 1005 router
- Cisco 1600 series
- Cisco 2600 series
- Cisco 3620 series
- Cisco 3640 series
- Cisco 3660 series
- Cisco 7000 series
- Cisco 7100 series
- Cisco 7200 series
- Cisco AS5300 series
- Cisco AS5400 series

- Cisco AS5800 series

Determining Platform Support Through Feature Navigator

Cisco IOS software is packaged in feature sets that support specific platforms. To get updated information regarding platform support for this feature, access Feature Navigator. Feature Navigator dynamically updates the list of supported platforms as new platform support is added for the feature.

Feature Navigator is a web-based tool that enables you to quickly determine which Cisco IOS software images support a specific set of features and which features are supported in a specific Cisco IOS image.

To access Feature Navigator, you must have an account on Cisco.com. If you have forgotten or lost your account information, send a blank e-mail to cco-locksmith@cisco.com. An automatic check will verify that your e-mail address is registered with Cisco.com. If the check is successful, account details with a new random password will be e-mailed to you. Qualified users can establish an account on Cisco.com by following the directions at <http://www.cisco.com/register>.

Feature Navigator is updated when major Cisco IOS software releases and technology releases occur. For the most current information, go to the Feature Navigator homepage at the following URL:

<http://www.cisco.com/go/fn>

Supported Standards, MIBs, and RFCs

Standards

None

MIBs

None

To obtain lists of supported MIBs by platform and Cisco IOS release, and to download MIB modules, go to the Cisco MIB website on Cisco.com at the following URL:

<http://www.cisco.com/public/sw-center/netmgmt/cmtk/mibs.shtml>

RFCs

None

Configuration Tasks

None

Monitoring and Maintaining Dialer Cisco Express Forwarding Interfaces

To monitor and maintain Dialer Cisco Express Forwarding interfaces, use the following EXEC commands:

Command	Purpose
Router# debug ip cef	Displays debugging information about various Cisco Express Forwarding events.
Router# show adjacency	Displays Cisco Express Forwarding adjacency table information.
Router# show ip interface	Displays network layer IP information about a specified interface.

Configuration Examples

None

Cisco and the Cisco Logo are trademarks of Cisco Systems, Inc. and/or its affiliates in the U.S. and other countries. A listing of Cisco's trademarks can be found at www.cisco.com/go/trademarks. Third party trademarks mentioned are the property of their respective owners. The use of the word partner does not imply a partnership relationship between Cisco and any other company. (1005R)

Any Internet Protocol (IP) addresses and phone numbers used in this document are not intended to be actual addresses and phone numbers. Any examples, command display output, network topology diagrams, and other figures included in the document are shown for illustrative purposes only. Any use of actual IP addresses or phone numbers in illustrative content is unintentional and coincidental.

© 2007-2010 Cisco Systems, Inc. All rights reserved.



CEF Support for Dialer Profiles on Cisco 7500 Routers

The CEF Support for Dialer Profiles on Cisco 7500 Routers feature adds support for Cisco Express Forwarding (CEF) switching on dialer profile interfaces, on Cisco 7500 routers with the Route Switch Processor (RSP).

Feature History for the CEF Support for Dialer Profiles on Cisco 7500 Routers Feature

Release	Modification
12.2(4)T	This feature was introduced.
12.3(4)T	Support for this feature was added for dialer profile interfaces on Cisco 7500 routers with an RSP.

Finding Support Information for Platforms and Cisco IOS Software Images

Use Cisco Feature Navigator to find information about platform support and Cisco IOS software image support. Access Cisco Feature Navigator at <http://www.cisco.com/go/fn>. You must have an account on Cisco.com. If you do not have an account or have forgotten your username or password, click **Cancel** at the login dialog box and follow the instructions that appear.

Contents

- [Restrictions for Asynchronous Line Monitoring feature, page 806](#)
- [Information About Asynchronous Line Monitoring feature, page 806](#)
- [How to Implement Dialer CEF Support on Cisco 7500 Routers with RSP, page 806](#)
- [Configuration Examples for Asynchronous Line Monitoring feature, page 808](#)
- [Additional References, page 809](#)
- [Command Reference, page 810](#)



Americas Headquarters:
Cisco Systems, Inc., 170 West Tasman Drive, San Jose, CA 95134-1706 USA

Restrictions for Asynchronous Line Monitoring feature

The Asynchronous Line Monitoring feature does not support distributed CEF (dCEF) switching on dialer profile interfaces.

Information About Asynchronous Line Monitoring feature

To use the Asynchronous Line Monitoring feature, you need to understand the following concept:

- [CEF Switching Across Dialer Interfaces, page 806](#)

CEF Switching Across Dialer Interfaces

The Asynchronous Line Monitoring feature introduced in Cisco IOS Release 12.3(4)T adds support for CEF switching across dialer interfaces on Cisco 7500 routers with an RSP.

CEF switching on dialer profile interfaces allows packets to be CEF switched across the interface, rather than fast switched or process switched. CEF switching avoids the overhead of continuous cache cycles by using a Forwarding Information Base (FIB) to make the destination switching decision. The FIB mirrors the contents of the IP routing table, that is, there is a one-to-one correspondence between FIB table entries and routing table prefixes and, therefore, no need to maintain a separate route cache.

This FIB provides significant benefits in terms of performance, scalability, network resilience, and functionality, particularly in large complex networks with dynamic traffic patterns. CEF switching is less CPU-intensive than fast switched route caching. More CPU processing power can be dedicated to Layer 3 services such as quality of service (QoS) and encryption.

CEF switching also offers an unprecedented level of switching consistency and stability in large dynamic networks. In dynamic networks, fast-switched cache entries are frequently invalidated due to routing changes. These changes can cause traffic to be process switched using the FIB routing table, rather than fast switched using the route cache. Because the FIB lookup table contains all known routes that exist in the routing table, it eliminates route cache maintenance and the fast-switch or process-switch forwarding scenario. CEF can switch traffic more efficiently than typical demand caching schemes.

How to Implement Dialer CEF Support on Cisco 7500 Routers with RSP

You need perform no configuration tasks to use the CEF support for dialer interfaces configured on a Cisco 7500 with the RSP; the dialer CEF switching functionality is inherent in the Cisco IOS Release 12.3(4)T software.

The Asynchronous Line Monitoring feature has been tested successfully with dialer interface functionality including dialer profiles, legacy dial-on-demand routing (DDR), and large-scale dial-out Multiprotocol Label Switching Virtual Private Network (MPLS VPN).

The following section provides an optional task to verify that dialer CEF is enabled:

- [Verifying that Asynchronous Line Monitoring feature Feature Is Operational](#)

Verifying that Asynchronous Line Monitoring feature Feature Is Operational

Perform the following task to verify that the Asynchronous Line Monitoring feature feature is operational.

SUMMARY STEPS

1. **enable**
2. **debug ip cef** {**drops** [**rpf** [*access-list*]] [*access-list*] | **receive** [*access-list*] | **events** [*access-list*] | **interface** | **dialer**}
3. **show adjacency** [*type number*] [**detail**] [**summary**] [**internal**]
4. **show ip interface** [*type number*]
5. **exit**

DETAILED STEPS

	Command or Action	Purpose
Step 1	enable Example: Router> enable	Enables privileged EXEC mode. <ul style="list-style-type: none">• Enter your password if prompted.
Step 2	debug ip cef { drops [rpf [<i>access-list</i>]] [<i>access-list</i>] receive [<i>access-list</i>] events [<i>access-list</i>] interface dialer }	Records various CEF events. <ul style="list-style-type: none">• dialer—Records IP CEF events for dialer interfaces.
Step 3	show adjacency [<i>type number</i>] [detail] [summary] [internal] Example: Router# show adjacency dialer1 internal	Displays an adjacency, if it exists, for a connected device, and whether the adjacency is valid. <ul style="list-style-type: none">• internal—Displays CEF adjacency table dialer interface information.
Step 4	show ip interface [<i>type number</i>] Example: Router# show ip interface dialer1	Displays the usability status of IP interfaces, and will display whether CEF is enabled and the CEF switching vector is set.
Step 5	exit Example: Router> exit	Exits privileged EXEC mode.

Configuration Examples for Asynchronous Line Monitoring feature

This section provides the following examples for the Asynchronous Line Monitoring feature feature:

- [Recording CEF Events for Dialer Interface: Example, page 808](#)
- [Displaying CEF Adjacency Table for Dialer Interface: Example, page 808](#)
- [Displaying CEF Switching Status on IP Dialer Interface: Example, page 808](#)

Recording CEF Events for Dialer Interface: Example

The following is a sample record of dialer CEF events on a dialer interface reported by the **debug ip cef dialer** command:

```
Router# debug ip cef dialer

00:31:44:CEF-Dialer (profile dynamic encap (not MLP)):add link to 10.10.10.2 via Dialer1
through Dialer1
00:31:44:CEF-Dialer:adjacency added:0x81164850
00:31:44:CEF-Dialer:adjacency found:0x81164850; fib->count:1
```

Displaying CEF Adjacency Table for Dialer Interface: Example

The following is sample output from the **show adjacency dialer1 internal** command for a dialer profile that indicates where adjacency for the dialer interface is updated:

```
Router# show adjacency dialer1 internal

Protocol Interface                Address
IP         Dialer1                point2point(9)
                                     22 packets, 2288 bytes
                                     FF030021
                                     CEF   expires:00:01:01
                                     refresh:00:00:13
                                     Fast adjacency disabled
                                     IP redirect enabled
                                     IP mtu 1500 (0x0)
                                     Fixup disabled
                                     Adjacency pointer 0x826B1F10, refCount 9
                                     Connection Id 0x0
                                     Bucket 14
```

Displaying CEF Switching Status on IP Dialer Interface: Example

The following is sample output from the **show ip interface dialer1** command. Reports about CEF switching on the dialer interface are shown in **bold text**, for purpose of example.

```
Router# show ip interface dialer1

Dialer1 is up, line protocol is up
  Internet address is 10.10.10.1/24
  Broadcast address is 255.255.255.255
  Address determined by setup command
  MTU is 1500 bytes
```

```

Helper address is not set
Directed broadcast forwarding is disabled
Outgoing access list is not set
Inbound access list is not set
Proxy ARP is enabled
Security level is default
Split horizon is enabled
ICMP redirects are always sent
ICMP unreachable are always sent
ICMP mask replies are never sent
IP fast switching is enabled
IP fast switching on the same interface is enabled
IP Flow switching is disabled
IP CEF switching is enabled
IP CEF Fast switching turbo vector
IP multicast fast switching is enabled
IP multicast distributed fast switching is disabled
IP route-cache flags are Fast, CEF

```

Additional References

The following sections provide references related to the Asynchronous Line Monitoring feature feature.

Related Documents

Related Topic	Document Title
Cisco Express Forwarding	<ul style="list-style-type: none"> • Cisco IOS IP Switching Configuration Guide; refer to the Cisco Express Forwarding chapters in “Part 1: Cisco IOS Switching Paths” • Cisco IOS IP Switching Command Reference
Dialer interfaces and profiles; Dialer CEF	<ul style="list-style-type: none"> • Cisco IOS Dial Technologies Configuration Guide; refer to the chapters “Configuring Peer-to-Peer DDR with Dialer Profiles” and “Dialer CEF”. • Cisco IOS Dial Technologies Command Reference

Standards

Standards	Title
None	—

MIBs

MIBs	MIBs Link
None	To locate and download MIBs for selected platforms, Cisco IOS releases, and feature sets, use Cisco MIB Locator found at the following URL: http://www.cisco.com/go/mibs

RFCs

RFCs	Title
None	—

Technical Assistance

Description	Link
Technical Assistance Center (TAC) home page, containing 30,000 pages of searchable technical content, including links to products, technologies, solutions, technical tips, and tools. Registered Cisco.com users can log in from this page to access even more content.	http://www.cisco.com/public/support/tac/home.shtml

Command Reference

This feature uses no new or modified commands. For information about commands used with this feature, see the *Cisco IOS Dial Technologies Command Reference* at http://www.cisco.com/en/US/docs/ios/dial/command/reference/dia_book.html. For information about all Cisco IOS commands, go to the Command Lookup Tool at <http://tools.cisco.com/Support/CLILookup> or to the *Cisco IOS Master Commands List*.

Cisco and the Cisco Logo are trademarks of Cisco Systems, Inc. and/or its affiliates in the U.S. and other countries. A listing of Cisco's trademarks can be found at www.cisco.com/go/trademarks. Third party trademarks mentioned are the property of their respective owners. The use of the word partner does not imply a partnership relationship between Cisco and any other company. (1005R)

Any Internet Protocol (IP) addresses and phone numbers used in this document are not intended to be actual addresses and phone numbers. Any examples, command display output, network topology diagrams, and other figures included in the document are shown for illustrative purposes only.

Any use of actual IP addresses or phone numbers in illustrative content is unintentional and coincidental.

© 2001-2009 Cisco Systems, Inc. All rights reserved.



Configuring Snapshot Routing

This chapter describes how to configure snapshot routing. It includes the following main sections:

- [Snapshot Routing Overview](#)
- [How to Configure Snapshot Routing](#)
- [Monitoring and Maintaining DDR Connections and Snapshot Routing](#)
- [Configuration Examples for Snapshot Routing](#)

To identify the hardware platform or software image information associated with a feature, use the Feature Navigator on Cisco.com to search for information about the feature or refer to the software release notes for a specific release. For more information, see the “Identifying Supported Platforms” section in the “Using Cisco IOS Software” chapter.

For a complete description of the snapshot routing commands mentioned in this chapter, refer to the [Cisco IOS Dial Technologies Command Reference](#). To locate documentation of other commands that appear in this chapter, use the command reference master index or search online.

Snapshot Routing Overview

Snapshot routing enables a single router interface to call other routers during periods when the line protocol for the interface is up (these are called “active periods”). The router dials in to all configured locations during such active periods to get routes from all the remote locations.

The router can be configured to exchange routing updates each time the line protocol goes from “down” to “up” or from “dialer spoofing” to “fully up.” The router can also be configured to dial the server router in the absence of regular traffic if the active period time expires.

Snapshot routing is useful in two command situations:

- Configuring static routes for dial-on-demand routing (DDR) interfaces
- Reducing the overhead of periodic updates sent by routing protocols to remote branch offices over a dedicated serial line

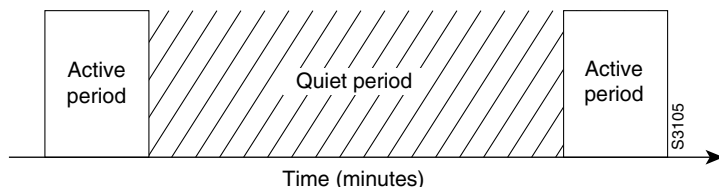
When configuring snapshot routing, you choose one router on the interface to be the client router and one or more other routers to be server routers. The client router determines the frequency at which routing information is exchanged between routers.



Routing information is exchanged during an active period. During the active period, a client router dials all the remote server routers for which it has a snapshot dialer map defined in order to get routes from all the remote locations. The server router provides information about routes to each client router that calls.

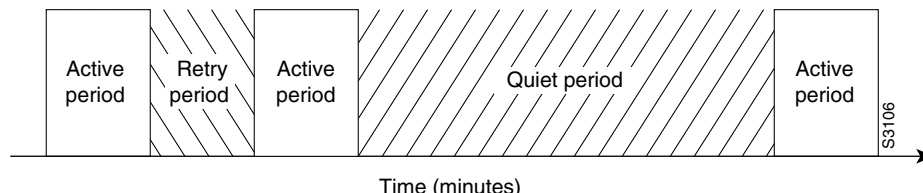
At the end of the active period, the router takes a snapshot of the entries in the routing table. These entries remain frozen during a quiet period. At the end of the quiet period, another active period starts during which routing information is again exchanged; see [Figure 1](#).

Figure 1 Active and Quiet Periods in Snapshot Routing



When the router makes the transition from the quiet period to the active period, the line might not be available for a variety of reasons. For example, the line might be down or busy, or the permanent virtual circuit (PVC) might be down. If this happens, the router has to wait through another entire quiet period before it can update its routing table entries. This wait might be a problem if the quiet period is very long—for example, 12 hours. To avoid the need to wait through the quiet period, you can configure a retry period. If the line is not available when the quiet period ends, the router waits for the amount of time specified by the retry period and then makes the transition to an active period. See to [Figure 2](#).

Figure 2 Retry Period in Snapshot Routing



The retry period is also useful in a dialup environment in which there are more remote sites than router interface lines that dial in to a PRI and want routing information from that interface. For example, a PRI has 23 DS0s available, but you might have 46 remote sites. In this situation, you would have more **dialer map** commands than available lines. The router will try the **dialer map** commands in order and will use the retry time for the lines that it cannot immediately access.

The following routed protocols support snapshot routing. Note that these are all distance-vector protocols.

- AppleTalk—Routing Table Maintenance Protocol (RTMP)
- Banyan VINES—Routing Table Protocol (RTP)
- IP—Routing Information Protocol (RIP), Interior Gateway Routing Protocol (IGRP)
- Internet Protocol Exchange (IPX)—RIP, Service Advertisement Protocol (SAP)

How to Configure Snapshot Routing

To configure snapshot routing, perform the tasks in the following sections:

- [Configuring the Client Router](#) (Required)
- [Configuring the Server Router](#) (Required)

You can also monitor and maintain interfaces configured for snapshot routing. For tips on maintaining your network with snapshot routing, see the section “[Monitoring and Maintaining DDR Connections and Snapshot Routing](#)” later in this chapter.

For an example of configuring snapshot routing, see the section “[Configuration Examples for Snapshot Routing](#)” at the end of this chapter.

Configuring the Client Router

To configure snapshot routing on the client router that is connected to a dedicated serial line, use the following commands beginning in global configuration mode:

	Command	Purpose
Step 1	Router(config)# interface serial <i>number</i>	Specifies a serial interface.
Step 2	Router(config-if)# snapshot client <i>active-time quiet-time</i> [suppress-statechange-updates] [dialer]	Configures the client router.

To configure snapshot routing on the client router that is connected to an interface configured for DDR, use the following commands beginning in global configuration mode:

	Command	Purpose
Step 1	Router(config)# interface serial <i>number</i>	Specifies a serial interface.
Step 2	Router(config-if)# dialer rotary-group <i>number</i>	Configures a dialer rotary group.
Step 3	Router(config-if)# interface dialer <i>number</i>	Specifies a dialer interface.
Step 4	Router(config-if)# snapshot client <i>active-time quiet-time</i> [suppress-statechange-updates] [dialer]	Configures the client router.
Step 5	Router(config-if)# dialer map snapshot <i>sequence-number dial-string</i>	Defines a dialer map.

Repeat these steps for each map you want to define. Maps must be provided for all the remote server routers that this client router is to call during each active period.

Because ISDN BRI and PRI automatically have rotary groups, you need not define a rotary group when configuring snapshot routing.

To configure snapshot routing on the client router over an interface configured for BRI or PRI, use the following commands beginning in global configuration mode:

	Command	Purpose
Step 1	Router(config)# interface bri <i>number</i>	Specifies a BRI interface.
Step 2	Router(config-if)# snapshot client <i>active-time quiet-time</i> [suppress-statechange-updates] [dialer]	Configures the client router.
Step 3	Router(config-if)# dialer map snapshot <i>sequence-number dial-string</i>	Defines a dialer map.

Configuring the Server Router

To configure snapshot routing on the server router that is connected to a dedicated serial line, use the following commands beginning in global configuration mode:

	Command	Purpose
Step 1	Router(config)# interface serial <i>number</i>	Specifies a serial interface.
Step 2	Router(config-if)# snapshot server <i>active-time</i> [dialer]	Configures the server router.

To configure snapshot routing on the associated server router that is connected to an interface configured for DDR, use the following commands beginning in global configuration mode:

	Command	Purpose
Step 1	Router(config)# interface serial <i>number</i>	Specifies a serial interface.
Step 2	Router(config-if)# interface dialer <i>number</i>	Specifies a dialer interface.
Step 3	Router(config-if)# snapshot server <i>active-time</i> [dialer]	Configures the server router.

The active period for the client router and its associated server routers should be the same.

Monitoring and Maintaining DDR Connections and Snapshot Routing

To monitor DDR connections and snapshot routing, use any of the following commands in privileged EXEC mode:

Command	Purpose
Router# show dialer [interface type number]	Displays general diagnostics about the DDR interface.
Router# show interfaces bri 0	Displays information about the ISDN interface.
Router# clear snapshot quiet-time interface	Terminates the snapshot routing quiet period on the client router within 2 minutes.

Command	Purpose
Router# show snapshot [<i>type number</i>]	Displays information about snapshot routing parameters.
Router# clear dialer	Clears the values of the general diagnostic statistics.

Configuration Examples for Snapshot Routing

The following example configures snapshot routing on an interface configured for DDR on the client router. In this configuration, a single client router can call multiple server routers. The client router dials to all different locations during each active period to get routes from all those remote locations.

The absence of the **suppress-statechange-updates** keyword means that routing updates will be exchanged each time the line protocol goes from “down” to “up” or from “dialer spoofing” to “fully up.” The **dialer** keyword on the **snapshot client** command allows the client router to dial the server router in the absence of regular traffic if the active period time expires.

```
interface serial 0
  dialer rotary-group 3
!
interface dialer 3
  dialer in-band
  snapshot client 5 360 dialer

dialer map snapshot 2 4155556734
dialer map snapshot 3 7075558990
```

The following example configures the server router:

```
interface serial 2
  snapshot server 5 dialer
```

Cisco and the Cisco Logo are trademarks of Cisco Systems, Inc. and/or its affiliates in the U.S. and other countries. A listing of Cisco's trademarks can be found at www.cisco.com/go/trademarks. Third party trademarks mentioned are the property of their respective owners. The use of the word partner does not imply a partnership relationship between Cisco and any other company. (1005R)

Any Internet Protocol (IP) addresses and phone numbers used in this document are not intended to be actual addresses and phone numbers. Any examples, command display output, network topology diagrams, and other figures included in the document are shown for illustrative purposes only. Any use of actual IP addresses or phone numbers in illustrative content is unintentional and coincidental.

© 2007-2009 Cisco Systems, Inc. All rights reserved.



Dial-Backup Configuration



Reliable Static Routing Backup Using Object Tracking

First Published: May 10, 2001

Last Updated: November 20, 2009

The Reliable Static Routing Backup Using Object Tracking feature introduces the ability for the Cisco IOS software to use Internet Control Message Protocol (ICMP) pings to identify when a PPP over Ethernet (PPPoE) or IP Security Protocol (IPsec) Virtual Private Network (VPN) tunnel goes down, allowing the initiation of a backup connection from any alternative port. The Reliable Static Routing Backup Using Object Tracking feature is compatible with both preconfigured static routes and Dynamic Host Configuration Protocol (DHCP) configurations.

Finding Feature Information

For the latest feature information and caveats, see the release notes for your platform and software release. To find information about the features documented in this module, and to see a list of the releases in which each feature is supported, see the [“Feature Information for Reliable Static Routing Backup Using Object Tracking”](#) section on page 847.

Use Cisco Feature Navigator to find information about platform support and Cisco IOS and Catalyst OS software image support. To access Cisco Feature Navigator, go to <http://www.cisco.com/go/cfn>. An account on Cisco.com is not required.

Contents

- [Prerequisites for Reliable Static Routing Backup Using Object Tracking](#), page 820
- [Restrictions for Reliable Static Routing Backup Using Object Tracking](#), page 820
- [Information About Reliable Static Routing Backup Using Object Tracking](#), page 820
- [How to Configure Reliable Static Routing Backup Using Object Tracking](#), page 822
- [Configuration Examples for Reliable Static Routing Backup Using Object Tracking](#), page 842



Americas Headquarters:

Cisco Systems, Inc., 170 West Tasman Drive, San Jose, CA 95134-1706 USA

- [Additional References, page 845](#)
- [Feature Information for Reliable Static Routing Backup Using Object Tracking, page 847](#)

Prerequisites for Reliable Static Routing Backup Using Object Tracking

Dial-on-demand routing (DDR) must be configured if the backup connection is configured on a dialer interface. For more information on configuring DDR, refer to the “Dial-on-Demand Routing Configuration” part of the *Cisco IOS Dial Technologies Configuration Guide*.

Restrictions for Reliable Static Routing Backup Using Object Tracking

This feature is supported in all Cisco IOS software images for the Cisco 1700 series modular access routers except the Cisco IOS IP Base image.

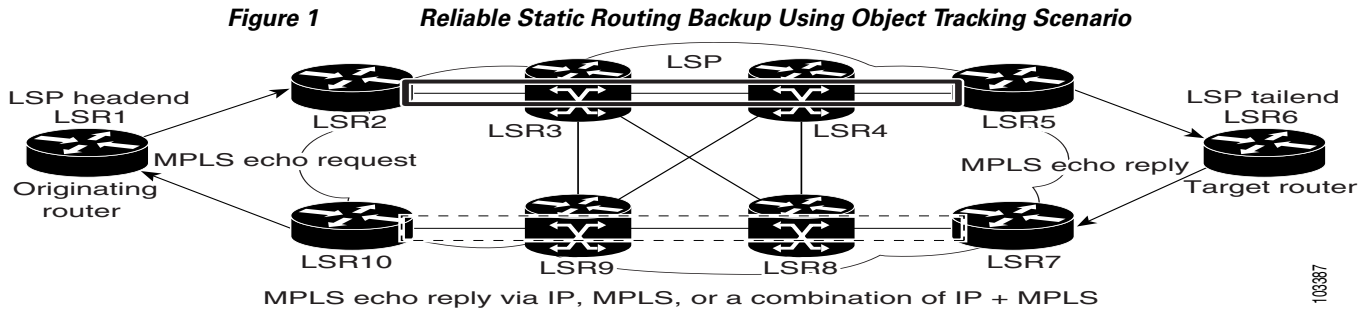
Information About Reliable Static Routing Backup Using Object Tracking

To configure the Reliable Static Routing Backup Using Object Tracking feature, you should understand the following concepts:

- [Reliable Static Routing Backup Using Object Tracking, page 820](#)
- [Cisco IOS IP SLAs, page 821](#)
- [Benefits of Reliable Static Routing Backup Using Object Tracking, page 821](#)

Reliable Static Routing Backup Using Object Tracking

The Reliable Static Routing Backup Using Object Tracking feature introduces the ability to reliably back up PPPoE or IPsec VPN deployments by initiating a DDR connection from an alternative port if the circuit to the primary gateway is interrupted. The Reliable Static Routing Backup Using Object Tracking feature can ensure reliable backup in the case of several catastrophic events, such as Internet circuit failure or peer device failure. A typical scenario is shown in [Figure 1](#).



Traffic from the remote LAN is forwarded to the main office from the primary interface of the remote router. If the connection to the main office is lost, the status of the tracked object changes from up to down. When the state of the tracked object changes to down, the routing table entry for the primary interface is removed and the preconfigured floating static route is installed on the secondary interface. Traffic is then forwarded to the preconfigured destination from the secondary interface. If DDR is configured on the secondary interface, interesting traffic will trigger DDR. The backup circuit can be configured to use the public switched telephone network (PSTN) or the Internet. When the state of the tracked object changes from down to up, the routing table entry for the primary interface is reinstalled and the floating static route for the secondary interface is removed.

Cisco IOS IP SLAs

The Reliable Static Routing Backup Using Object Tracking feature uses Cisco IOS IP Service Level Agreements (IP SLAs), a network monitoring feature set, to generate ICMP pings to monitor the state of the connection to the primary gateway. Cisco IOS IP SLAs is configured to ping a target, such as a publicly routable IP address or a target inside the corporate network. The pings are routed from the primary interface only. A track object is created to monitor the status of the Cisco IOS IP SLAs configuration. The track object informs the client, the static route, if a state change occurs. The preconfigured floating static route on the secondary interface will be installed when the state changes from up to down.

HTTP GET, User Datagram Protocol (UDP) echo, or any other protocol supported by Cisco IOS IP SLAs can be used instead of ICMP pings.

Benefits of Reliable Static Routing Backup Using Object Tracking

PPPoE and IPsec VPN deployments provide cost-effective and secure Internet-based solutions that can replace traditional dialup and Frame Relay circuits.

The Reliable Static Routing Backup Using Object Tracking feature can determine the state of the primary connection without enabling a dynamic routing protocol.

The Reliable Static Routing Backup Using Object Tracking feature introduces a reliable backup solution for PPPoE and IPsec VPN deployments, allowing these solutions to be used for critical circuits that must not go down without a backup circuit automatically engaging.

How to Configure Reliable Static Routing Backup Using Object Tracking

This section contains the following tasks:

- [Configuring the Primary Interface for Reliable Static Routing Backup Using Object Tracking, page 822](#) (required)
- [Configuring the Backup Interface for Reliable Static Routing Backup Using Object Tracking, page 826](#)
- [Configuring Network Monitoring with Cisco IOS IP SLAs for Reliable Static Routing Backup Using Object Tracking, page 827](#) (required)
- [Configuring the Routing Policy for Reliable Static Routing Backup Using Object Tracking, page 833](#) (required)
- [Configuring the Default Route for the Primary Interface Using Static Routing, page 840](#) (required)
- [Configuring a Floating Static Default Route on the Secondary Interface, page 840](#) (required)
- [Verifying the State of the Tracked Object for Reliable Static Routing Backup Using Object Tracking, page 841](#) (optional)

Configuring the Primary Interface for Reliable Static Routing Backup Using Object Tracking

You must configure the connection between the primary interface and the remote gateway. The status of this connection will be monitored by the Reliable Static Routing Backup Using Object Tracking feature.

The primary interface can be configured in one of three ways: for PPPoE, DHCP, or static routing. You must choose one of these configuration types. If you are not sure of which method to use with your network configuration, consult your Internet service provider (ISP) or network administrator.

Perform one of the following tasks to configure the primary interface:

- [Configuring the Primary Interface for PPPoE, page 822](#)
- [Configuring the Primary Interface for DHCP, page 823](#)
- [Configuring the Primary Interface for Static Routing, page 825](#)

Configuring the Primary Interface for PPPoE

Perform this task to configure the primary interface for PPPoE.

SUMMARY STEPS

1. **enable**
2. **configure terminal**
3. **interface** *type number* [*name-tag*]
4. **description** *string*
5. **no ip address**
6. **pvc** [**name**] *vpi/vci* [**ces** | **ilmi** | **qsaal** | **smds** | **l2transport**]

7. `pppoe-client dial-pool-number number [dial-on-demand]`
8. `exit`

DETAILED STEPS

	Command or Action	Purpose
Step 1	<code>enable</code> Example: Router> enable	Enables privileged EXEC mode. <ul style="list-style-type: none">Enter your password if prompted.
Step 2	<code>configure terminal</code> Example: Router# configure terminal	Enters global configuration mode.
Step 3	<code>interface type number [name-tag]</code> Example: Router(config)# interface ATM 2/0	Configures an interface type and enters interface configuration mode.
Step 4	<code>description string</code> Example: Router(config-if)# description primary-link	Adds a description to the interface configuration.
Step 5	<code>no ip address</code> Example: Router(config-if)# no ip address	Removes IP addresses configured on the interface.
Step 6	<code>pvc [name] vpi/vci [ces ilmi qsaal smds l2transport]</code> Example: Router(config-if)# pvc 0/33	Creates or assigns a name to an ATM permanent virtual circuit (PVC), specifies the encapsulation type on an ATM PVC, and enters ATM virtual circuit configuration mode.
Step 7	<code>pppoe-client dial-pool-number number [dial-on-demand]</code> Example: Router(config-if-atm-vc)# pppoe-client dial-pool-number 1	Configures a PPPoE client and specifies DDR functionality.
Step 8	<code>exit</code> Example: Router(config-if-atm-vc)# exit	Exits ATM virtual circuit configuration mode.

Configuring the Primary Interface for DHCP

Perform this task to configure the primary interface for DHCP.

SUMMARY STEPS

1. **enable**
2. **configure terminal**
3. **interface** *type number* [*name-tag*]
4. **description** *string*
5. **ip dhcp client route track** *number*
6. **ip address dhcp**
7. **exit**

DETAILED STEPS

	Command or Action	Purpose
Step 1	enable Example: Router> enable	Enables privileged EXEC mode. <ul style="list-style-type: none"> • Enter your password if prompted.
Step 2	configure terminal Example: Router# configure terminal	Enters global configuration mode.
Step 3	interface <i>type number</i> [<i>name-tag</i>] Example: Router(config)# interface ethernet 0/0	Configures an interface type and enters interface configuration mode.
Step 4	description <i>string</i> Example: Router(config-if)# description primary-link	Adds a description to the interface configuration.
Step 5	ip dhcp client route track <i>number</i> Example: Router(config-if)# ip dhcp client route track 123	Configures the DHCP client to associate any added routes with the specified track number. <ul style="list-style-type: none"> • route track <i>number</i>—Associates a track object with the DHCP-installed static route. Valid values for the <i>number</i> argument range from 1 to 500. <p>Note You must configure the ip dhcp client command before issuing the ip address dhcp command on an interface. The ip dhcp client command is checked only when an IP address is acquired from DHCP. If the ip dhcp client command is issued after an IP address has been acquired from DHCP, it will not take effect until the next time the router acquires an IP address from DHCP.</p>

	Command or Action	Purpose
Step 6	<code>ip address dhcp</code> Example: Router(config-if)# ip address dhcp	Acquires an IP address on an Ethernet interface from DHCP.
Step 7	<code>exit</code> Example: Router(config-if)# exit	Exits interface configuration mode.

Configuring the Primary Interface for Static Routing

Perform this task to configure the primary interface for static routing.

SUMMARY STEPS

1. `enable`
2. `configure terminal`
3. `interface type number [name-tag]`
4. `description string`
5. `ip address ip-address mask [secondary]`
6. `exit`

DETAILED STEPS

	Command or Action	Purpose
Step 1	<code>enable</code> Example: Router> enable	Enables privileged EXEC mode. <ul style="list-style-type: none"> • Enter your password if prompted.
Step 2	<code>configure terminal</code> Example: Router# configure terminal	Enters global configuration mode.
Step 3	<code>interface type number [name-tag]</code> Example: Router(config)# interface FastEthernet 0/0	Configures an interface type and enters interface configuration mode.
Step 4	<code>description string</code> Example: Router(config-if)# description primary-link	Adds a description to the interface configuration.

	Command or Action	Purpose
Step 5	ip address <i>ip-address mask [secondary]</i> Example: Router(config-if)# ip address 209.165.200.225 255.0.0.0	Sets a primary or secondary IP address for an interface.
Step 6	exit Example: Router(config-if)# exit	Exits interface configuration mode.

Configuring the Backup Interface for Reliable Static Routing Backup Using Object Tracking

You must configure a backup interface to contact the remote gateway. If the connection between the primary interface and the remote gateway goes down, the backup interface will be used.

Perform the following task to configure the backup interface. This task applies to PPPoE, DHCP, and static routing configurations.

SUMMARY STEPS

1. **enable**
2. **configure terminal**
3. **interface** *type number [name-tag]*
4. **description** *string*
5. **ip address** *ip-address mask [secondary]*
6. **exit**

DETAILED STEPS

	Command or Action	Purpose
Step 1	enable Example: Router> enable	Enables privileged EXEC mode. <ul style="list-style-type: none"> • Enter your password if prompted.
Step 2	configure terminal Example: Router# configure terminal	Enters global configuration mode.
Step 3	interface <i>type number [name-tag]</i> Example: Router(config)# interface Dialer 0	Configures an interface type and enters interface configuration mode.

	Command or Action	Purpose
Step 4	description <i>string</i> Example: Router(config-if)# description backup-link	Adds a description to an interface configuration.
Step 5	ip address <i>ip-address mask [secondary]</i> Example: Router(config-if)# ip address 209.165.201.1 255.255.255.0	Sets a secondary IP address for an interface. Note If the connection on the primary interface goes down, the secondary interface is used as a backup interface.
Step 6	exit Example: Router(config-if)# exit	Exits interface configuration mode.

Configuring Network Monitoring with Cisco IOS IP SLAs for Reliable Static Routing Backup Using Object Tracking

The Reliable Static Routing Backup Using Object Tracking feature uses a Cisco IOS IP SLAs configuration to generate ICMP pings to monitor the state of the connection to the primary gateway.

Beginning in Cisco IOS Release 12.3(14)T, the command used to configure Cisco IOS IP SLAs was modified.

Perform one of the following tasks to configure Cisco IOS IP SLAs depending on which Cisco IOS software release you are running:

- [Configuring Cisco IOS IP SLAs for Cisco IOS Release 12.3\(8\)T, 12.3\(11\)T, 12.2\(33\)SRA, and 12.2\(33\)SRE, page 827](#)
- [Configuring Cisco IOS IP SLAs for Cisco IOS Release 12.3\(14\)T, 12.4, 12.4\(2\)T, and 12.2\(33\)SXH, page 829](#)
- [Configuring Cisco IOS IP SLAs for Cisco IOS Release 12.4\(4\)T, 15.\(0\)1M, and Later Releases, page 831](#)

Configuring Cisco IOS IP SLAs for Cisco IOS Release 12.3(8)T, 12.3(11)T, 12.2(33)SRA, and 12.2(33)SRE

Perform this task to create Cisco IOS IP SLAs depending on which Cisco IOS software release you are running. This task applies to PPPoE, DHCP, and static routing configurations.

SUMMARY STEPS

1. **enable**
2. **configure terminal**
3. **rtr** [*operation-number*]
4. **type echo protocol ipIcmpEcho** {*destination-ip-address* | *destination-hostname*} [**source-ipaddr** {*ip-address* | *hostname*}]
5. **timeout** *milliseconds*

6. **frequency** *seconds*
7. **threshold** *milliseconds*
8. **exit**
9. **rtr schedule** *operation-number* [**life** {**forever** | *seconds*}] [**start-time** {*hh:mm[:ss]* [*month day* | *day month*] | **pending** | **now** | **after** *hh:mm:ss*}] [**ageout** *seconds*]
10. **track** *object-number* **rtr** *rtr-operation* {**state** | **reachability**}
11. **end**

DETAILED STEPS

	Command or Action	Purpose
Step 1	enable Example: Router> enable	Enables privileged EXEC mode. <ul style="list-style-type: none"> Enter your password if prompted.
Step 2	configure terminal Example: Router# configure terminal	Enters global configuration mode.
Step 3	rtr [<i>operation-number</i>] Example: Router(config)# rtr 1	Begins configuration for a Cisco IOS IP SLAs operation and enters RTR configuration mode.
Step 4	type echo protocol ipIcmpEcho { <i>destination-ip-address</i> <i>destination-hostname</i> } [source-ipaddr { <i>ip-address</i> <i>hostname</i> }] Example: Router(config-rtr)# type echo protocol ipIcmpEcho 172.16.23.7	Configures a Cisco IOS IP SLAs end-to-end echo response time probe operation.
Step 5	timeout <i>milliseconds</i> Example: Router(config-rtr)# timeout 1000	Sets the amount of time for which the Cisco IOS IP SLAs operation waits for a response from its request packet.
Step 6	frequency <i>seconds</i> Example: Router(config-rtr)# frequency 3	Sets the rate at which a specified Cisco IOS IP SLAs operation is sent into the network.
Step 7	threshold <i>milliseconds</i> Example: Router(config-rtr)# threshold 2	Sets the rising threshold (hysteresis) that generates a reaction event and stores history information for the Cisco IOS IP SLAs operation.
Step 8	exit Example: Router(config-rtr)# exit	Exits RTR configuration mode.

	Command or Action	Purpose
Step 9	<pre>rtr schedule operation-number [life {forever seconds}] [start-time {hh:mm[:ss] [month day day month] pending now after hh:mm:ss}] [ageout seconds]</pre> <p>Example: Router(config)# rtr schedule 1 life forever start-time now</p>	Configures a Cisco IOS IP SLAs ICMP echo operation.
Step 10	<pre>track object-number rtr rtr-operation {state reachability}</pre> <p>Example: Router(config)# track 123 rtr 1 reachability</p>	Tracks the state of a Cisco IOS IP SLAs operation and enters tracking configuration mode.
Step 11	<pre>end</pre> <p>Example: Router(config-track-list)# end</p>	Exits tracking configuration mode.

Configuring Cisco IOS IP SLAs for Cisco IOS Release 12.3(14)T, 12.4, 12.4(2)T, and 12.2(33)SXH

Perform this task to create an Cisco IP SLAs configuration to ping the target address depending on which Cisco IOS software release you are running. This task applies to PPPoE, DHCP, and static routing configurations.

SUMMARY STEPS

1. **enable**
2. **configure terminal**
3. **ip sla monitor** *[operation-number]*
4. **type echo protocol ipIcmpEcho** *{destination-ip-address | destination-hostname}* **[source-ipaddr** *{ip-address | hostname}* **| source-interface** *interface-name*
5. **timeout** *milliseconds*
6. **frequency** *seconds*
7. **threshold** *milliseconds*
8. **exit**
9. **ip sla monitor schedule** *operation-number* **[life {forever | seconds}]** **[start-time {hh:mm[:ss]** *[month day | day month]* **| pending | now | after hh:mm:ss}]** **[ageout seconds]** **[recurring]**
10. **track** *object-number* **rtr** *rtr-operation* **{state | reachability}**
11. **end**

DETAILED STEPS

	Command or Action	Purpose
Step 1	enable Example: Router> enable	Enables privileged EXEC mode. <ul style="list-style-type: none">Enter your password if prompted.
Step 2	configure terminal Example: Router# configure terminal	Enters global configuration mode.
Step 3	ip sla monitor [<i>operation-number</i>] Example: Router(config)# ip sla monitor 1	Begins configuring a Cisco IOS IP SLAs operation and enters IP SLA monitor configuration mode.
Step 4	type echo protocol ipIcmpEcho { <i>destination-ip-address</i> <i>destination-hostname</i> } [<i>source-ipaddr</i> { <i>ip-address</i> <i>hostname</i> } source-interface <i>interface-name</i>] Example: Router(config-sla-monitor)# type echo protocol ipIcmpEcho 172.16.23.7	Configures a Cisco IOS IP SLAs end-to-end ICMP echo response time operation and enters IP SLAs ICMP echo configuration mode.
Step 5	timeout <i>milliseconds</i> Example: Router(config-sla-monitor-echo)# timeout 1000	Sets the amount of time for which the Cisco IOS IP SLAs operation waits for a response from its request packet.
Step 6	frequency <i>seconds</i> Example: Router(config-sla-monitor-echo)# frequency 3	Sets the rate at which a specified Cisco IOS IP SLAs operation is sent into the network.
Step 7	threshold <i>milliseconds</i> Example: Router(config-sla-monitor-echo)# threshold 2	Sets the rising threshold (hysteresis) that generates a reaction event and stores history information for the Cisco IOS IP SLAs operation.
Step 8	exit Example: Router(config-sla-monitor-echo)# exit	Exits IP SLAs ICMP echo configuration mode.
Step 9	ip sla monitor schedule <i>operation-number</i> [life { forever <i>seconds</i> }] [start-time { <i>hh:mm[:ss]</i> [<i>month day</i> <i>day month</i>] pending now after <i>hh:mm:ss</i> }] [ageout <i>seconds</i>] [<i>recurring</i>] Example: Router(config)# ip sla monitor schedule 1 life forever start-time now	Configures the scheduling parameters for a single Cisco IOS IP SLAs operation.

	Command or Action	Purpose
Step 10	track <i>object-number</i> rtr <i>rtr-operation</i> { state reachability } Example: Router(config)# track 123 rtr 1 reachability	Tracks the state of a Cisco IOS IP SLAs operation and enters tracking configuration mode.
Step 11	end Example: Router(config-track-list)# end	Exits tracking configuration mode.

Configuring Cisco IOS IP SLAs for Cisco IOS Release 12.4(4)T, 15.(0)1M, and Later Releases

Perform this task to create Cisco IP SLAs configuration in Cisco IOS Release 12.4(4)T, 15.0(1)M, and later releases to ping the target address. This task applies to PPPoE, DHCP, and static routing configurations.

SUMMARY STEPS

1. **enable**
2. **configure terminal**
3. **ip sla** [*operation-number*]
4. **icmp-echo** {*destination-ip-address* | *destination-hostname*} [**source-ip** {*ip-address* | *hostname*} | **source-interface** *interface-name*]
5. **timeout** *milliseconds*
6. **frequency** *seconds*
7. **threshold** *milliseconds*
8. **exit**
9. **ip sla schedule** *operation-number* [**life** {**forever** | *seconds*}] [**start-time** {*hh:mm[:ss]* [*month day* | *day month*] | **pending** | **now** | **after** *hh:mm:ss*}] [**ageout** *seconds*] [**recurring**]
10. **track** *object-number* **rtr** *rtr-operation* {**state** | **reachability**}
11. **end**

DETAILED STEPS

	Command or Action	Purpose
Step 1	enable Example: Router> enable	Enables privileged EXEC mode. <ul style="list-style-type: none"> • Enter your password if prompted.
Step 2	configure terminal Example: Router# configure terminal	Enters global configuration mode.

	Command or Action	Purpose
Step 3	ip sla <i>[operation-number]</i> Example: Router(config)# ip sla 1	Begins configuring a Cisco IOS IP SLAs operation and enters IP SLA configuration mode.
Step 4	icmp-echo <i>{destination-ip-address destination-hostname} [source-ip {ip-address hostname} source-interface interface-name]</i> Example: Router(config-ip-sla)# icmp-echo 172.16.23.7	Configures a Cisco IOS IP SLAs end-to-end ICMP echo response time operation and enters IP SLAs ICMP echo configuration mode.
Step 5	timeout <i>milliseconds</i> Example: Router(config-ip-sla-echo)# timeout 1000	Sets the amount of time for which the Cisco IOS IP SLAs operation waits for a response from its request packet.
Step 6	frequency <i>seconds</i> Example: Router(config-ip-sla-echo)# frequency 3	Sets the rate at which a specified Cisco IOS IP SLAs operation is sent into the network.
Step 7	threshold <i>milliseconds</i> Example: Router(config-ip-sla-echo)# threshold 2	Sets the rising threshold (hysteresis) that generates a reaction event and stores history information for the Cisco IOS IP SLAs operation.
Step 8	exit Example: Router(config-ip-sla-echo)# exit	Exits IP SLAs ICMP echo configuration mode.
Step 9	ip sla schedule <i>operation-number [life {forever seconds}] [start-time {hh:mm:ss} [month day day month] pending now after hh:mm:ss] [ageout seconds] [recurring]</i> Example: Router(config-ip-sla-echo)# ip sla schedule 1 life forever start-time now	Configures the scheduling parameters for a single Cisco IOS IP SLAs operation.
Step 10	track <i>object-number rtr rtr-operation {state reachability}</i> Example: Router(config)# track 123 rtr 1 reachability	Tracks the state of a Cisco IOS IP SLAs operation and enters tracking configuration mode.
Step 11	end Example: Router(config-track-list)# end	Exits tracking configuration mode.

Configuring the Routing Policy for Reliable Static Routing Backup Using Object Tracking

In order to track the status of the primary connection to the remote gateway, the Cisco IOS IP SLAs ICMP pings must be routed only from the primary interface.

Perform one of the following tasks to configure a routing policy that will ensure that the Cisco IOS IP SLAs pings are always routed out of the primary interface:

- [Configuring a Routing Policy for PPPoE, page 833](#)
- [Configuring a Routing Policy for DHCP, page 835](#)
- [Configuring a Routing Policy for Static Routing, page 836](#)

Configuring a Routing Policy for PPPoE

Perform this task to configure a routing policy if the primary interface is configured for PPPoE.

SUMMARY STEPS

1. **enable**
2. **configure terminal**
3. **access-list** *access-list-number* [**dynamic** *dynamic-name* [**timeout** *minutes*]] {**deny** | **permit**} **icmp** *source source-wildcard destination destination-wildcard [icmp-type [icmp-code] | icmp-message]* [**precedence** *precedence*] [**tos** *tos*] [**log** | **log-input**] [**time-range** *time-range-name*] [**fragments**]
4. **route-map** *map-tag* [**permit** | **deny**] [*sequence-number*]
5. **match ip address** {*access-list-number* | *access-list-name*} [... *access-list-number* | ... *access-list-name*]
6. **set interface** *type number* [... *type number*]
7. **exit**
8. **ip local policy route-map** *map-tag*
9. **end**

DETAILED STEPS

	Command or Action	Purpose
Step 1	enable Example: Router> enable	Enables privileged EXEC mode. • Enter your password if prompted.
Step 2	configure terminal Example: Router# configure terminal	Enters global configuration mode.

	Command or Action	Purpose
Step 3	<p>access-list <i>access-list-number</i> [dynamic <i>dynamic-name</i> [timeout <i>minutes</i>]] {deny permit} icmp <i>source source-wildcard destination destination-wildcard</i> [icmp-type [<i>icmp-code</i>] <i>icmp-message</i>] [precedence <i>precedence</i>] [tos <i>tos</i>] [log log-input] [time-range <i>time-range-name</i>] [fragments]</p> <p>Example: Router(config)# access-list 101 permit icmp any host 172.16.23.7 echo</p>	Defines an extended IP access list.
Step 4	<p>route-map <i>map-tag</i> [permit deny] [<i>sequence-number</i>]</p> <p>Example: Router(config)# route-map MY-LOCAL-POLICY permit 10</p>	Enters route-map configuration mode and defines the conditions for redistributing routes from one routing protocol into another.
Step 5	<p>match ip address {<i>access-list-number</i> <i>access-list-name</i>} [... <i>access-list-number</i> ... <i>access-list-name</i>]</p> <p>Example: Router(config-route-map)# match ip address 101</p>	Distributes any routes that have a destination network number address that is permitted by a standard or extended access list, or performs policy routing on packets.
Step 6	<p>set interface <i>type number</i> [... <i>type number</i>]</p> <p>Example: Router(config-route-map)# set interface null 0</p>	<p>Indicates where to output packets that pass a match clause of a route map for policy routing.</p> <p>Note The interface must be configured for null 0 in this scenario. If the next hop is not set because the interface is down, the packet is routed to the null interface and discarded. Otherwise policy routing fails and the packet is routed using the Routing Information Base (RIB) card. Routing the packet using the RIB card is undesirable.</p>
Step 7	<p>exit</p> <p>Example: Router(config-route-map)# exit</p>	Exits route-map configuration mode.
Step 8	<p>ip local policy route-map <i>map-tag</i></p> <p>Example: Router(config)# ip local policy route-map MY-LOCAL-POLICY</p>	Identifies a route map to use for local policy routing.
Step 9	<p>end</p> <p>Example: Router(config)# end</p>	Exits global configuration mode.

Configuring a Routing Policy for DHCP

Perform this task to ensure that the primary interface is configured for DHCP:

SUMMARY STEPS

1. **enable**
2. **configure terminal**
3. **access-list** *access-list-number* [**dynamic** *dynamic-name* [**timeout** *minutes*]] {**deny** | **permit**} **icmp** *source source-wildcard destination destination-wildcard [icmp-type [icmp-code] | icmp-message]* [**precedence** *precedence*] [**tos** *tos*] [**log** | **log-input**] [**time-range** *time-range-name*] [**fragments**]
4. **route-map** *map-tag* [**permit** | **deny**] [*sequence-number*]
5. **match ip address** {*access-list-number* | *access-list-name*} [... *access-list-number* | ... *access-list-name*]
6. **set ip next-hop dynamic dhcp**
7. **exit**
8. **ip local policy route-map** *map-tag*
9. **end**

DETAILED STEPS

	Command or Action	Purpose
Step 1	enable Example: Router> enable	Enables privileged EXEC mode. <ul style="list-style-type: none">• Enter your password if prompted.
Step 2	configure terminal Example: Router# configure terminal	Enters global configuration mode.
Step 3	access-list <i>access-list-number</i> [dynamic <i>dynamic-name</i> [timeout <i>minutes</i>]] { deny permit } icmp <i>source source-wildcard destination destination-wildcard [icmp-type [icmp-code] icmp-message]</i> [precedence <i>precedence</i>] [tos <i>tos</i>] [log log-input] [time-range <i>time-range-name</i>] [fragments] Example: Router(config)# access-list 101 permit icmp any host 172.16.23.7 echo	Defines an extended IP access list.
Step 4	route-map <i>map-tag</i> [permit deny] [<i>sequence-number</i>] Example: Router(config)# route-map MY-LOCAL-POLICY permit 10	Enters route-map configuration mode and defines the conditions for redistributing routes from one routing protocol into another.

	Command or Action	Purpose
Step 5	match ip address { <i>access-list-number</i> <i>access-list-name</i> } [... <i>access-list-number</i> ... <i>access-list-name</i>] Example: Router(config-route-map)# match ip address 101	Distributes any routes that have a destination network number address that is permitted by a standard or extended access list, or performs policy routing on packets.
Step 6	set ip next-hop dynamic dhcp Example: Router(config-route-map)# set ip next-hop dynamic dhcp	Sets the next hop to the gateway that was most recently learned by the DHCP client.
Step 7	exit Example: Router(config-route-map)# exit	Exits route-map configuration mode.
Step 8	ip local policy route-map <i>map-tag</i> Example: Router(config)# ip local policy route-map MY-LOCAL-POLICY	Identifies a route map to use for local policy routing.
Step 9	end Example: Router(config)# end	Exits global configuration mode.

Configuring a Routing Policy for Static Routing

Perform one of the following tasks if the primary interface is configured for static routing:

- [Configuring a Routing Policy for Static Routing with a Point-to-Point Primary Gateway, page 836](#)
- [Configuring a Routing Policy for Static Routing with a Multipoint Primary Gateway, page 838](#)

Configuring a Routing Policy for Static Routing with a Point-to-Point Primary Gateway

Perform this task to configure a routing policy if the primary interface is configured for static routing and the primary gateway is a point-to-point gateway.

SUMMARY STEPS

1. **enable**
2. **configure terminal**
3. **access-list** *access-list-number* [**dynamic** *dynamic-name* [**timeout** *minutes*]] {**deny** | **permit**} **icmp** *source source-wildcard destination destination-wildcard* [*icmp-type* [*icmp-code*] | *icmp-message*] [**precedence** *precedence*] [**tos** *tos*] [**log** | **log-input**] [**time-range** *time-range-name*] [**fragments**]
4. **route-map** *map-tag* [**permit** | **deny**] [*sequence-number*]
5. **match ip address** {*access-list-number* | *access-list-name*} [... *access-list-number* | ... *access-list-name*]

6. **set interface** *type number* [... *type number*]
7. **exit**
8. **ip local policy route-map** *map-tag*
9. **end**

DETAILED STEPS

	Command or Action	Purpose
Step 1	<p>enable</p> <p>Example: Router> enable</p>	<p>Enables privileged EXEC mode.</p> <ul style="list-style-type: none"> • Enter your password if prompted.
Step 2	<p>configure terminal</p> <p>Example: Router# configure terminal</p>	<p>Enters global configuration mode.</p>
Step 3	<p>access-list <i>access-list-number</i> [dynamic <i>dynamic-name</i> [timeout <i>minutes</i>]] {deny permit} icmp <i>source source-wildcard destination destination-wildcard</i> [icmp-type <i>icmp-code</i>] <i>icmp-message</i>] [precedence <i>precedence</i>] [tos <i>tos</i>] [log log-input] [time-range <i>time-range-name</i>] [fragments]</p> <p>Example: Router(config)# access-list 101 permit icmp any host 172.16.23.7 echo</p>	<p>Defines an extended IP access list.</p>
Step 4	<p>route-map <i>map-tag</i> [permit deny] [<i>sequence-number</i>]</p> <p>Example: Router(config)# route-map MY-LOCAL-POLICY permit 10</p>	<p>Enters route-map configuration mode and defines the conditions for redistributing routes from one routing protocol into another.</p>
Step 5	<p>match ip address {<i>access-list-number</i> <i>access-list-name</i>} [... <i>access-list-number</i> ... <i>access-list-name</i>]</p> <p>Example: Router(config-route-map)# match ip address 101</p>	<p>Distributes any routes that have a destination network number address that is permitted by a standard or extended access list, or performs policy routing on packets.</p>
Step 6	<p>set interface <i>type number</i> [...<i>type number</i>]</p> <p>Example: Router(config-route-map)# set interface dialer 0 Null 0</p>	<p>Indicates where to output packets that pass a match clause of a route map for policy routing.</p>
Step 7	<p>exit</p> <p>Example: Router(config-route-map)# exit</p>	<p>Exits route-map configuration mode.</p>

	Command or Action	Purpose
Step 8	<code>ip local policy route-map map-tag</code> Example: Router(config)# ip local policy route-map MY-LOCAL-POLICY	Identifies a route map to use for local policy routing.
Step 9	<code>end</code> Example: Router(config)# end	Exits global configuration mode.

Configuring a Routing Policy for Static Routing with a Multipoint Primary Gateway

Perform this task to configure a routing policy if the primary interface is configured for static routing and the primary gateway is a multipoint gateway.

SUMMARY STEPS

1. `enable`
2. `configure terminal`
3. `access-list access-list-number [dynamic dynamic-name [timeout minutes]] {deny | permit} icmp source source-wildcard destination destination-wildcard [icmp-type [icmp-code] | icmp-message] [precedence precedence] [tos tos] [log | log-input] [time-range time-range-name] [fragments]`
4. `route-map map-tag [permit | deny] [sequence-number]`
5. `match ip address {access-list-number | access-list-name} [... access-list-number | ... access-list-name]`
6. `set ip next-hop ip-address [... ip-address]`
7. `set interface type number [... type number]`
8. `exit`
9. `ip local policy route-map map-tag`
10. `end`

DETAILED STEPS

	Command or Action	Purpose
Step 1	<code>enable</code> Example: Router> enable	Enables privileged EXEC mode. <ul style="list-style-type: none"> • Enter your password if prompted.
Step 2	<code>configure terminal</code> Example: Router# configure terminal	Enters global configuration mode.

	Command or Action	Purpose
Step 3	<p>access-list <i>access-list-number</i> [dynamic <i>dynamic-name</i> [timeout <i>minutes</i>]] {deny permit} icmp <i>source source-wildcard destination destination-wildcard</i> [<i>icmp-type</i> [<i>icmp-code</i>] <i>icmp-message</i>] [precedence <i>precedence</i>] [tos <i>tos</i>] [log log-input] [time-range <i>time-range-name</i>] [fragments]</p> <p>Example: Router(config)# access-list 101 permit icmp any host 172.16.23.7 echo</p>	Defines an extended IP access list.
Step 4	<p>route-map <i>map-tag</i> {permit deny} [<i>sequence-number</i>]</p> <p>Example: Router(config)# route-map MY-LOCAL-POLICY permit 10</p>	Enters route-map configuration mode and defines the conditions for redistributing routes from one routing protocol into another.
Step 5	<p>match ip address {<i>access-list-number</i> <i>access-list-name</i>} [... <i>access-list-number</i> ... <i>access-list-name</i>]</p> <p>Example: Router(config-route-map)# match ip address 101</p>	Distributes any routes that have a destination network number address that is permitted by a standard or extended access list, or performs policy routing on packets.
Step 6	<p>set ip next-hop <i>ip-address</i> [... <i>ip-address</i>]</p> <p>Example: Router(config-route-map)# set ip next-hop 10.1.1.242</p>	Indicates where to output packets that pass a match clause of a route map for policy routing.
Step 7	<p>set interface <i>type number</i> [... <i>type number</i>]</p> <p>Example: Router(config-route-map)# set interface null 0</p>	Indicates where to output packets that pass a match clause of a route map for policy routing.
Step 8	<p>exit</p> <p>Example: Router(config-route-map)# exit</p>	Exits route-map configuration mode.
Step 9	<p>ip local policy route-map <i>map-tag</i></p> <p>Example: Router(config)# ip local policy route-map MY-LOCAL-POLICY</p>	Identifies a route map to use for local policy routing.
Step 10	<p>end</p> <p>Example: Router(config)# end</p>	Exits global configuration mode.

Configuring the Default Route for the Primary Interface Using Static Routing

Perform this task to configure the static default route only if you are using static routing.

SUMMARY STEPS

1. **enable**
2. **configure terminal**
3. **ip route** *prefix mask {ip-address | interface-type interface-number [ip-address]} [distance] [name] [permanent | track number] [tag tag]*
4. **end**

DETAILED STEPS

	Command or Action	Purpose
Step 1	enable Example: Router> enable	Enables privileged EXEC mode. <ul style="list-style-type: none"> • Enter your password if prompted.
Step 2	configure terminal Example: Router# configure terminal	Enters global configuration mode.
Step 3	ip route <i>prefix mask {ip-address interface-type interface-number [ip-address]} [distance] [name] [permanent track number] [tag tag]</i> Example: Router(config)# ip route 0.0.0.0 0.0.0.0 10.1.1.242 track 123	Establishes static routes. <ul style="list-style-type: none"> • track number—Specifies that the static route will be installed only if the configured track object is up.
Step 4	end Example: Router(config)# end	Exits global configuration mode.

Configuring a Floating Static Default Route on the Secondary Interface

Perform this task to configure a floating static default route on the secondary interface. This task applies to PPPoE, DHCP, and static routing configurations.

SUMMARY STEPS

1. **enable**
2. **configure terminal**
3. **ip route** *network-number network-mask {ip-address | interface} [distance] [name name]*

DETAILED STEPS

	Command or Action	Purpose
Step 1	enable Example: Router> enable	Enables privileged EXEC mode. <ul style="list-style-type: none"> Enter your password if prompted.
Step 2	configure terminal Example: Router# configure terminal	Enters global configuration mode.
Step 3	ip route <i>network-number network-mask</i> <i>{ip-address interface} [distance] [name name]</i> Example: Router(config)# ip route 0.0.0.0 0.0.0.0 10.2.2.125 254	Establishes static routes and defines the next hop.

Verifying the State of the Tracked Object for Reliable Static Routing Backup Using Object Tracking

Perform the following task to determine if the state of the tracked object is up or down.

SUMMARY STEPS

- enable
- show ip route track-table

DETAILED STEPS

	Command or Action	Purpose
Step 1	enable Example: Router> enable	Enables privileged EXEC mode. <ul style="list-style-type: none"> Enter your password if prompted.
Step 2	show ip route track-table Example: Router# show ip route track-table	Displays information about the IP route track table.

Configuration Examples for Reliable Static Routing Backup Using Object Tracking

This section provides the following configuration examples:

- [Configuring Reliable Static Routing Backup Using Object Tracking Using PPPoE: Example, page 842](#)
- [Configuring Reliable Static Routing Backup Using Object Tracking Using DHCP: Example, page 843](#)
- [Configuring Reliable Static Routing Backup Using Object Tracking: Example, page 843](#)
- [Verifying the State of the Tracked Object: Example, page 844](#)

Configuring Reliable Static Routing Backup Using Object Tracking Using PPPoE: Example

The following example shows how to configure the Reliable Static Routing Backup Using Object Tracking feature using PPPoE. The primary interface is an ATM interface, and the backup interface is a BRI interface. This example applies to Cisco IOS Release 12.3(8)T, 12.3(11)T, 12.2(33)SRA, 12.2(33)SXH, and 12.2(33)SRE.

```
interface ATM 0
  description primary-link
  no ip address
  pvc 0/33
    pppoe-client dial-pool-number 1
  !
interface BRI 0
  description backup-link
  ip address 10.2.2.2 255.0.0.0
  !
rtr 1
  type echo protocol ipIcmpEcho 172.16.23.7
  timeout 1000
  frequency 3
  threshold 2

rtr schedule 1 life forever start-time now
track 123 rtr 1 reachability

access list 101 permit icmp any host 172.16.23.7 echo
route map MY-LOCAL-POLICY permit 10
  match ip address 101
  set interface null 0
!
ip local policy route-map MY-LOCAL-POLICY

ip route 0.0.0.0 0.0.0.0 10.2.2.125 254
```


Configuring Reliable Static Routing Backup Using Object Tracking Using DHCP: Example

The following example show how to configure the Reliable Static Routing Backup Using Object Tracking feature using DHCP. The primary interface is an Ethernet interface, and the backup interface is a serial interface. This example applies to Cisco IOS Release 12.3(14)T.

```
!  
ip dhcp-client default-router distance 25  
ip sla monitor 1  
  type echo protocol ipIcmpEcho 172.16.23.7  
  timeout 1000  
  threshold 2  
  frequency 3  
ip sla monitor schedule 1 life forever start-time now  
track 123 rtr 1 reachability  
!  
interface Ethernet0/0  
  description primary-link  
  ip dhcp client route track 123  
  ip address dhcp  
!  
interface Serial2/0  
  description backup-link  
  ip address 209.165.202.129 255.255.255.255  
!  
ip local policy route-map MY-LOCAL-POLICY  
ip route 0.0.0.0 0.0.0.0 10.2.2.125 254  
!  
access-list 101 permit icmp any host 172.16.23.7 echo  
route-map MY-LOCAL-POLICY permit 10  
  match ip address 101  
  set ip next-hop dynamic dhcp
```

Configuring Reliable Static Routing Backup Using Object Tracking: Example

The following example shows how to configure the Reliable Static Routing Backup Using Object Tracking feature using static routing for a point-to-point primary gateway. The primary interface is a PPPoE Fast Ethernet interface, and the backup interface is a dialer interface. This example applies to Cisco IOS Release 12.3(14)T and later releases.

```
interface FastEthernet 0/0  
  description primary-link  
  ip address 209.165.202.129 255.255.255.255  
  
interface Dialer 0  
  description backup-link  
  ip address 209.165.200.225 255.255.255.255  
  
ip sla monitor 1  
  type echo protocol ipIcmpEcho 172.16.23.7  
  timeout 1000  
  frequency 3  
  threshold 2  
  
ip sla monitor schedule 1 life forever start-time now  
track 123 rtr 1 reachability
```

```

access list 101 permit icmp any host 172.16.23.7 echo
route map MY-LOCAL-POLICY permit 10
  match ip address 101
  set interface dialer 0 null 0
!
ip local policy route-map MY-LOCAL-POLICY

ip route 0.0.0.0 0.0.0.0 10.1.1.242 track 123
ip route 0.0.0.0 0.0.0.0 10.2.2.125 254

```

The following example configures the Reliable Static Routing Backup Using Object Tracking feature using static routing for a multipoint primary gateway. Both the primary interface and the backup interface are Ethernet interfaces. This example applies to Cisco IOS Release 12.3(14)T and later releases.

```

interface ethernet 0
  description primary-link
  ip address 209.165.202.129 255.255.255.255

interface ethernet 1
  description backup-link
  ip address 209.165.200.225 255.255.255.255

ip sla monitor 1
  type echo protocol ipIcmpEcho 172.16.23.7
  timeout 1000
  frequency 3
  threshold 2

ip sla monitor schedule 1 life forever start-time now
track 123 rtr 1 reachability

access list 101 permit icmp any host 172.16.23.7 echo
route map MY-LOCAL-POLICY permit 10
  match ip address 101
  set ip next-hop 10.1.1.242
  set interface null 0
!
ip local policy route-map MY-LOCAL-POLICY

ip route 0.0.0.0 0.0.0.0 10.1.1.242 track 123
ip route 0.0.0.0 0.0.0.0 10.2.2.125 254

```

Verifying the State of the Tracked Object: Example

The following example displays information about track objects in the IP route track table:

```

Router# show ip route track-table

ip route 0.0.0.0 0.0.0.0 10.1.1.242 track-object 123 state is [up]

```

Additional References

The following sections provide references related to the Reliable Static Routing Backup Using Object Tracking feature.

Related Documents

Related Topic	Document Title
IPsec configuration tasks	“ IP Security VPN Monitoring ” module in the <i>Cisco IOS Security Configuration Guide</i>
IPsec commands: complete command syntax, command mode, command history, defaults, usage guidelines, and examples	Cisco IOS Security Command Reference
VPDN configuration tasks	“ Configuring AAA for VPDN ” module in the <i>Cisco IOS VPDN Configuration Guide</i>
VPDN commands: complete command syntax, command mode, command history, defaults, usage guidelines, and examples	Cisco IOS VPDN Command Reference
ATM virtual circuit bundles	“ ATM RBE ” module in the <i>Cisco IOS Broadband Access Aggregation and DSL Configuration Guide</i>
PPPoE commands: complete command syntax, command mode, command history, defaults, usage guidelines, and examples	Cisco IOS Wide-Area Networking Command Reference
Dial access specialized features	“ Dial Access Specialized Features ” module in the <i>Cisco IOS Dial Technologies Configuration Guide</i>
DDR commands: complete command syntax, command mode, command history, defaults, usage guidelines, and examples	Cisco IOS Dial Technologies Command Reference
IP SLAs configuration tasks	“ IP SLAs ” module in the <i>Cisco IOS IP SLAs Configuration Guide</i>
IP SLAs commands: complete command syntax, command mode, command history, defaults, usage guidelines, and examples	Cisco IOS IP SLAs Command Reference

Standards

Standards	Title
None	—

MIBs

MIBs	MIBs Link
None	To locate and download MIBs for selected platforms, Cisco IOS releases, and feature sets, use Cisco MIB Locator found at the following URL: http://www.cisco.com/go/mibs

RFCs

RFCs	Title
None	—

Technical Assistance

Description	Link
<p>The Cisco Support website provides extensive online resources, including documentation and tools for troubleshooting and resolving technical issues with Cisco products and technologies.</p> <p>To receive security and technical information about your products, you can subscribe to various services, such as the Product Alert Tool (accessed from Field Notices), the Cisco Technical Services Newsletter, and Really Simple Syndication (RSS) Feeds.</p> <p>Access to most tools on the Cisco Support website requires a Cisco.com user ID and password.</p>	http://www.cisco.com/techsupport

Feature Information for Reliable Static Routing Backup Using Object Tracking

Table 1 lists the features in this module and provides links to specific configuration information. Only features that were introduced or modified in Cisco IOS Release 12.2(33)SX or Cisco IOS Releases 12.2(33)SRE or 15.0(1)M or a later release appear in this table.

Not all commands may be available in your Cisco IOS software release. For release information about a specific command, see the command reference documentation.

Use Cisco Feature Navigator to find information about platform support and software image support. Cisco Feature Navigator enables you to determine which Cisco IOS and Catalyst OS software images support a specific software release, feature set, or platform. To access Cisco Feature Navigator, go to <http://www.cisco.com/go/cfn>. An account on Cisco.com is not required.

Table 1 Feature Information for Reliable Static Routing Backup Using Object Tracking

Feature Name	Releases	Feature Information
Reliable Static Routing Backup Using Object Tracking	12.2(33)SXH 12.2(33)SRA 12.2(33)SRE 12.3(8)T 12.3(14)T 15.0(1)M	<p>The Reliable Static Routing Backup Using Object Tracking feature introduces the ability for the Cisco IOS software to use ICMP pings to identify when a PPPoE or IPsec VPN tunnel goes down, allowing the initiation of a backup connection from any alternative port. The Reliable Static Routing Backup Using Object Tracking feature is compatible with both preconfigured static routes and DHCP configurations. The following sections provide information about this feature:</p> <ul style="list-style-type: none"> • Information About Reliable Static Routing Backup Using Object Tracking, page 820 • How to Configure Reliable Static Routing Backup Using Object Tracking, page 822 <p>The following commands were introduced or modified: ip dhcp client route, ip route prefix mask, set ip next-hop dynamic, and show ip route track-table.</p>

Cisco and the Cisco Logo are trademarks of Cisco Systems, Inc. and/or its affiliates in the U.S. and other countries. A listing of Cisco's trademarks can be found at www.cisco.com/go/trademarks. Third party trademarks mentioned are the property of their respective owners. The use of the word partner does not imply a partnership relationship between Cisco and any other company. (1005R)

Any Internet Protocol (IP) addresses and phone numbers used in this document are not intended to be actual addresses and phone numbers. Any examples, command display output, network topology diagrams, and other figures included in the document are shown for illustrative purposes only. Any use of actual IP addresses or phone numbers in illustrative content is unintentional and coincidental.

© 2001—2009 Cisco Systems, Inc. All rights reserved.



Configuring Dial Backup for Serial Lines

This chapter describes how to configure the primary interface to use the dial backup interface. It includes the following main sections:

- [Backup Serial Interface Overview](#)
- [How to Configure Dial Backup](#)
- [Configuration Examples for Dial Backup for Serial Interfaces](#)

To identify the hardware platform or software image information associated with a feature, use the Feature Navigator on Cisco.com to search for information about the feature or refer to the software release notes for a specific release. For more information, see the “Identifying Supported Platforms” section in the “Using Cisco IOS Software” chapter.

For a complete description of the dial backup commands in this chapter, refer to the *Cisco IOS Dial Technologies Command Reference*. To locate documentation of other commands that appear in this chapter, use the command reference master index or search online.

Backup Serial Interface Overview

For a backup serial interface, an external DCE device, such as a modem attached to a circuit-switched service, must be connected to the backup serial interface. The external device must be capable of responding to a data terminal ready (DTR) Active signal by automatically dialing the preconfigured telephone number of the remote site.

A backup interface is an interface that stays idle until certain circumstances occur; then it is activated. A backup interface for a serial interface can be an ISDN interface or a different serial interface. A backup interface can be configured to be activated when any of the following three circumstances occurs:

- The primary line goes down.
- The load on the primary line reaches a certain threshold.
- The load on the primary line exceeds a specified threshold.

To configure a dial backup to a serial interface, you must configure the interface to use the dial backup interface, specify the conditions in which the backup interface will be activated, and then configure the dial-backup interface for dial-on-demand routing (DDR). The DDR configuration specifies the



conditions and destinations for dial calls. The serial interface (often called the *primary* interface) might be configured for DDR or for Frame Relay or X.25 over a leased line, but the backup tasks are the same in all three cases.

**Note**

Dial backup is also available using the Dialer Watch feature. Dialer Watch is based on routing characteristics instead of relying exclusively on interesting traffic conditions. For information about Dialer Watch, see the chapter “Configuring Dial Backup Using Dialer Watch” in this publication.

To configure a backup interface for a serial interface based on one of the conditions listed, complete the following general steps:

- Specify the interface and configure it as needed (for DDR, Frame Relay, or X.25). You can also specify and configure a Frame Relay subinterface.
Refer to the chapters “Configuring Frame Relay” or “Configuring X.25” in the *Cisco IOS Wide-Area Networking Configuration Guide*. In this publication, see the chapter “Configuring Synchronous Serial Ports” and related chapters in the “Dial-on-Demand Routing” part for details.
- Configure the primary interface or subinterface by specifying the dial backup interface and the conditions for activating the backup interface, as described in this chapter.
- Configure the backup interface for DDR, as described in the “Dial-on-Demand Routing” part of this publication.

See the chapters “Configuring Legacy DDR Spokes” (for point-to-point legacy DDR connections) or “Configuring Legacy DDR Hubs” (for point-to-multipoint legacy DDR connections) in this publication. If you have configured dialer profiles instead of legacy DDR, see the chapter “Configuring Dial Backup with Dialer Profiles” in this publication for backup information.

How to Configure Dial Backup

You must decide whether to activate the backup interface when the primary line goes down, when the traffic load on the primary line exceeds the defined threshold, or both. The tasks you perform depend on your decision. Perform the tasks in the following sections to configure dial backup:

- [Specifying the Backup Interface](#) (Optional)
- [Defining the Traffic Load Threshold](#) (Optional)
- [Defining Backup Line Delays](#) (Optional)

Then configure the backup interface for DDR, so that calls are placed as needed. See the chapters in the “Dial-on-Demand Routing” part of this publication for more information.

For simple configuration examples, see the section “[Configuration Examples for Dial Backup for Serial Interfaces](#)” at the end of this chapter.

Specifying the Backup Interface

To specify a backup interface for a primary serial interface or subinterface, use one the following commands in interface configuration mode:

Command	Purpose
<pre>Router(config-if)# backup interface type number</pre> <p>or</p> <p>Cisco 7500 series routers:</p> <pre>Router(config-if)# backup interface type slot/port</pre> <p>or</p> <p>Cisco 7200 series routers:</p> <pre>Router(config-if)# backup interface type slot/port-adapter/port</pre>	Selects a backup interface.

**Note**

When you enter the **backup interface** command, the configured physical or logical interface will be forced to standby mode. When you use a BRI for a dial backup (with Legacy DDR), neither of the B channels can be used because the physical BRI interface is in standby mode. However, with dialer profiles, only the logical dialer interface is placed in standby mode and the physical interface (BRI) still can be used for other connections by making it a member of another pool.

When configured for legacy DDR, the backup interface can back up only one interface. For examples of selecting a backup line, see the sections “[Dial Backup Using an Asynchronous Interface Example](#)” and “[Dial Backup Using DDR and ISDN Example](#)” later in this chapter.

Defining the Traffic Load Threshold

You can configure dial backup to activate the secondary line based on the traffic load on the primary line. The software monitors the traffic load and computes a 5-minute moving average. If this average exceeds the value you set for the line, the secondary line is activated and, depending upon how the line is configured, some or all of the traffic will flow onto the secondary dialup line.

To define how much traffic should be handled at one time on an interface, use the following command in interface configuration mode:

Command	Purpose
<pre>Router(config-if)# backup load {enable-threshold never} {disable-load never}</pre>	Defines the traffic load threshold as a percentage of the available bandwidth of the primary line.

Defining Backup Line Delays

You can configure a value that defines how much time should elapse before a secondary line status changes after a primary line status has changed. You can define two delays:

- A delay that applies after the primary line goes *down* but before the secondary line is activated
- A delay that applies after the primary line comes *up* but before the secondary line is deactivated

To define these delays, use the following command in interface configuration mode:

Command	Purpose
Router(config-if)# backup delay { <i>enable-delay</i> never } { <i>disable-delay</i> never }	Defines backup line delays.

For examples of how to define backup line delays, see the sections “[Dial Backup Using an Asynchronous Interface Example](#)” and “[Dial Backup Using DDR and ISDN Example](#)” at the end of this chapter.

Configuration Examples for Dial Backup for Serial Interfaces

The following sections present examples of specifying the backup interface:

- [Dial Backup Using an Asynchronous Interface Example](#)
- [Dial Backup Using DDR and ISDN Example](#)

The following sections present examples of backup interfaces configured to be activated in three different circumstances:

- The load on the primary line reaches a certain threshold.
- The load on the primary line exceeds a specified threshold.
- The primary line goes down.

Dial Backup Using an Asynchronous Interface Example

The following is an example for dial backup using asynchronous interface 1, which is configured for DDR:

```
interface serial 0
 ip address 172.30.3.4 255.255.255.0
 backup interface async1
 backup delay 10 10
!
interface async 1
 ip address 172.30.3.5 255.255.255.0
 dialer in-band
 dialer string 5551212
 dialer-group 1
 async dynamic routing
 dialer-list 1 protocol ip permit
 chat-script sillyman "" "atdt 5551212" TIMEOUT 60 "CONNECT"
 line 1
 modem chat-script sillyman
 modem inout
 speed 9600
```

Dial Backup Using DDR and ISDN Example

The following example shows how to use an ISDN interface to back up a serial interface.

**Note**

When you use a BRI interface for dial backup, neither of the B channels can be used while the interface is in standby mode.

Interface BRI 0 is configured to make outgoing calls to one number. This is a legacy DDR spoke example.

```
interface serial 1
  backup delay 0 0
  backup interface bri 0
  ip address 10.2.3.4 255.255.255.0
!
interface bri 0
  ip address 10.2.3.5 255.255.255.0
  dialer string 5551212
  dialer-group 1
!
dialer-list 1 protocol ip permit
```

**Note**

Dialing will occur only after a packet is received to be output on BRI 0. We recommend using the **dialer-list** command with the **protocol** and **permit** keywords specified to control access for dial backup. Using this form of access control specifies that all packets are interesting.

Dial Backup Service When the Primary Line Reaches Threshold Example

The following example configures the secondary line (serial 1) to be activated only when the load of the primary line reaches a certain threshold:

```
interface serial 0
  backup interface serial 1
  backup load 75 5
```

The secondary line will be activated when the load on the primary line is greater than 75 percent of the bandwidth of the primary line. The secondary line will then be brought down when the aggregate load between the primary and secondary lines fits within 5 percent of the primary bandwidth.

The same example on a Cisco 7500 series router would be as follows:

Dial Backup Service When the Primary Line Exceeds Threshold Example

The following example configures the secondary line (serial 1) to activate when the traffic threshold on the primary line exceeds 25 percent:

```
interface serial 0
  backup interface serial 1
  backup load 25 5
  backup delay 10 60
```

When the aggregate load of the primary and the secondary lines returns to within 5 percent of the primary bandwidth, the secondary line is deactivated. The secondary line waits 10 seconds after the primary goes down before activating and remains active for 60 seconds after the primary returns and becomes active again.

The same example on a Cisco 7500 series router would be as follows:

Dial Backup Service When the Primary Line Goes Down Example

The following example configures the secondary line (serial 1) as a backup line that becomes active only when the primary line (serial 0) goes down. The backup line will not be activated because of load on the primary line.

```
interface serial 0
 backup interface serial 1
 backup delay 30 60
```

The backup line is configured to activate 30 seconds after the primary line goes down and to remain on for 60 seconds after the primary line is reactivated.

The same example on a Cisco 7500 series router would be as follows:

Cisco and the Cisco Logo are trademarks of Cisco Systems, Inc. and/or its affiliates in the U.S. and other countries. A listing of Cisco's trademarks can be found at www.cisco.com/go/trademarks. Third party trademarks mentioned are the property of their respective owners. The use of the word partner does not imply a partnership relationship between Cisco and any other company. (1005R)

Any Internet Protocol (IP) addresses and phone numbers used in this document are not intended to be actual addresses and phone numbers. Any examples, command display output, network topology diagrams, and other figures included in the document are shown for illustrative purposes only. Any use of actual IP addresses or phone numbers in illustrative content is unintentional and coincidental.

© 2001–2009 Cisco Systems, Inc. All rights reserved.



Configuring Dial Backup with Dialer Profiles



Configuring Dial Backup with Dialer Profiles

This chapter describes how to configure dialer interfaces, which can be configured as the logical intermediary between one or more physical interfaces and another physical interface that is to function as backup. It includes the following main sections:

- [Dial Backup with Dialer Profiles Overview](#)
- [How to Configure Dial Backup with Dialer Profiles](#)
- [Configuration Example of Dialer Profile for ISDN BRI Backing Up Two Leased Lines](#)

To identify the hardware platform or software image information associated with a feature, use the Feature Navigator on Cisco.com to search for information about the feature or refer to the software release notes for a specific release. For more information, see the “Identifying Supported Platforms” section in the “Using Cisco IOS Software” chapter.

For a complete description of the dial backup commands in this chapter, refer to the *Cisco IOS Dial Technologies Command Reference*. To locate documentation of other commands that appear in this chapter, use the command reference master index or search online.

Dial Backup with Dialer Profiles Overview

A backup interface is an interface that stays idle until certain circumstances occur; then it is activated. Dialer interfaces can be configured to use a specific dialing pool; in turn, physical interfaces can be configured to belong to the same dialing pool.

See the section [“Configuration Example of Dialer Profile for ISDN BRI Backing Up Two Leased Lines”](#) at the end of this chapter for a comprehensive example of a dial backup interface using dialer profiles. In the example, one BRI functions as backup to two serial lines and can make calls to two different destinations.

How to Configure Dial Backup with Dialer Profiles

To configure a dialer interface and a specific physical interface to function as backup to other physical interfaces, perform the tasks in the following sections:

- [Configuring a Dialer Interface](#) (Required)



- [Configuring a Physical Interface to Function As Backup](#) (Required)
- [Configuring Interfaces to Use a Backup Interface](#) (Required)

Configuring a Dialer Interface

To configure the dialer interface that will be used as an intermediary between a physical interface that will function as backup interface and the interfaces that will use the backup, use the following commands beginning in global configuration mode:

	Command	Purpose
Step 1	Router(config)# interface dialer <i>number</i>	Creates a dialer interface and begins interface configuration mode.
Step 2	Router(config-if)# ip unnumbered loopback0	Specifies IP unnumbered loopback.
Step 3	Router(config-if)# encapsulation ppp	Specifies PPP encapsulation.
Step 4	Router(config-if)# dialer remote-name <i>username</i>	Specifies the Challenge Handshake Authentication Protocol (CHAP) authentication name of the remote router.
Step 5	Router(config-if)# dialer string <i>dial-string</i>	Specifies the remote destination to call.
Step 6	Router(config-if)# dialer pool <i>number</i>	Specifies the dialing pool to use for calls to this destination.
Step 7	Router(config-if)# dialer-group <i>group-number</i>	Assigns the dialer interface to a dialer group.

Configuring a Physical Interface to Function As Backup

To configure the physical interface that is to function as backup, use the following commands beginning in global configuration mode:

	Command	Purpose
Step 1	Router(config)# interface <i>type number</i>	Specifies the interface and begins interface configuration mode.
Step 2	Router(config-if)# encapsulation ppp	Specifies PPP encapsulation.
Step 3	Router(config-if)# dialer pool-member <i>number</i>	Makes the interface a member of the dialing pool that the dialer interface will use; make sure the <i>number</i> arguments have the same value.
Step 4	Router(config-if)# ppp authentication chap	Specifies CHAP authentication.

Configuring Interfaces to Use a Backup Interface

To configure one or more interfaces to use a backup interface, use the following commands beginning in global configuration mode:

	Command	Purpose
Step 1	Router(config)# interface <i>type number</i>	Specifies the interface to be backed up and begins interface configuration mode.
Step 2	Router(config-if)# ip unnumbered loopback0	Specifies IP unnumbered loopback.
Step 3	Router(config-if)# backup interface dialer number	Specifies the backup interface and begins interface configuration mode.
Step 4	Router(config-if)# backup delay enable-delay disable-delay	Specifies delay between the physical interface going down and the backup being enabled, and between the physical interface coming back up and the backup being disabled.

Configuration Example of Dialer Profile for ISDN BRI Backing Up Two Leased Lines

The following example shows the configuration of a site that backs up two leased lines using one BRI. Two dialer interfaces are defined. Each serial (leased line) interface is configured to use one of the dialer interfaces as a backup. Both of the dialer interfaces use dialer pool 1, which has physical interface BRI 0 as a member. Thus, physical interface BRI 0 can back up two different serial interfaces and can make calls to two different sites.

```
interface dialer0
 ip unnumbered loopback0
 encapsulation ppp
 dialer remote-name Remote0
 dialer pool 1
 dialer string 5551212
 dialer-group 1

interface dialer1
 ip unnumbered loopback0
 encapsulation ppp
 dialer remote-name Remote1
 dialer pool 1
 dialer string 5551234
 dialer-group 1

interface bri 0
 encapsulation PPP
 dialer pool-member 1
 ppp authentication chap

interface serial 0
 ip unnumbered loopback0
 backup interface dialer 0
 backup delay 5 10

interface serial 1
 ip unnumbered loopback0
 backup interface dialer1
 backup delay 5 10
```

■ Configuration Example of Dialer Profile for ISDN BRI Backing Up Two Leased Lines



ISDN Backup in MPLS Core

When a primary link is down in the Multiprotocol Label Switching (MPLS) core network, the ISDN Backup in MPLS Core feature allows a backup ISDN link on a dialer interface to be brought up to restore network connectivity. This feature ensures high availability of the link between two routers in the MPLS core by providing a backup mechanism.

Feature Specifications for the ISDN Backup in MPLS Core feature

Feature History

Release	Modification
12.3(2)T	This feature was introduced.

Supported Platforms

Cisco 3640 series, Cisco 7200 series

Finding Support Information for Platforms and Cisco IOS Software Images

Use Cisco Feature Navigator to find information about platform support and Cisco IOS software image support. Access Cisco Feature Navigator at <http://www.cisco.com/go/fn>. You must have an account on Cisco.com. If you do not have an account or have forgotten your username or password, click **Cancel** at the login dialog box and follow the instructions that appear.

Contents

- [Prerequisites for ISDN Backup in MPLS Core, page 860](#)
- [Restrictions for ISDN Backup in MPLS Core, page 860](#)
- [Information About ISDN Backup in MPLS Core, page 860](#)
- [How to Configure ISDN Backup in MPLS Core, page 860](#)
- [Configuration Examples for ISDN Backup in MPLS Core, page 863](#)
- [Additional References, page 864](#)



Americas Headquarters:
Cisco Systems, Inc., 170 West Tasman Drive, San Jose, CA 95134-1706 USA

Prerequisites for ISDN Backup in MPLS Core

You need to first configure the Dialer Persistent feature.

Restrictions for ISDN Backup in MPLS Core

- The ISDN Backup in MPLS Core feature works only with dialer profile configuration.
- The ISDN Backup in MPLS Core feature is available only for PPP encapsulation.

Information About ISDN Backup in MPLS Core

Before configuring and implementing the ISDN Backup for MPLS Core feature, you should understand the following concepts:

- [How ISDN Backup in MPLS Core Works, page 860](#)
- [Benefits of ISDN Backup in MPLS Core Feature, page 860](#)

How ISDN Backup in MPLS Core Works

The dialer profile interface is configured as backup to the primary interface. The dialer interface should have the Dialer Persistent feature configured and MPLS IP should be enabled with encapsulation PPP. For more information on the Dialer Persistent feature refer to the *Cisco IOS Dial Technologies Configuration Guide*, Release 12.3.

When the primary interface goes down, the dialer profile that is acting as the backup will bring up the backup interface without waiting for any interesting traffic because Dialer Persistent has been configured. Once the link to the destination is established, tagged packets will flow via the dialer interface.

Benefits of ISDN Backup in MPLS Core Feature

The ISDN Backup in MPLS Core feature provides MPLS switching support on dialer interfaces for ISDN backup in MPLS core networks. When you configure a backup ISDN link on a dialer interface, the dialer interface can be brought up to restore network connectivity when a primary link goes down in an MPLS core network.

How to Configure ISDN Backup in MPLS Core

This section contains the following procedures:

- [Configuring Primary Interface for Backup, page 861](#)
- [Configuring the Dialer Profile as Backup Interface, page 861](#)
- [Verifying the ISDN Backup for MPLS Feature, page 862](#)

Configuring Primary Interface for Backup

Perform this task to configure a primary interface backup.

SUMMARY STEPS

1. **enable**
2. **configure terminal**
3. **interface** *type slot/port.subinterface-number* [**multipoint** | **point-to-point**]
4. **backup interface dialer** *number*
5. **exit**

DETAILED STEPS

	Command or Action	Purpose
Step 1	enable Example: Router> enable	Enables privileged EXEC mode. <ul style="list-style-type: none"> • Enter your password if prompted.
Step 2	configure terminal Example: Router# configure terminal	Enters global configuration mode.
Step 3	interface <i>type slot/port.subinterface-number</i> [multipoint point-to-point] Example: Router(config)# interface serial 1	Configures an interface type and enters interface configuration mode.
Step 4	backup interface dialer <i>number</i> Example: Router(config-if)# backup interface dialer 1	Configures an interface as a secondary or dial backup interface.
Step 5	exit Example: Router(config-if)# exit	Returns to global configuration mode.

Configuring the Dialer Profile as Backup Interface

Perform this task to configure the Dialer Persistent feature on the backup interface.

SUMMARY STEPS

1. **enable**
2. **configure terminal**

3. **interface dialer** *number*
4. **encapsulation** *type*
5. **dialer persistent** [**delay** [**initial**] *seconds* | **max-attempts** *number*]
6. **tag-switching ip** (interface configuration)
7. **exit**

DETAILED STEPS

	Command or Action	Purpose
Step 1	enable Example: Router> enable	Enables privileged EXEC mode. <ul style="list-style-type: none"> • Enter your password if prompted.
Step 2	configure terminal Example: Router# configure terminal	Enters global configuration mode.
Step 3	interface dialer <i>number</i> Example: Router(config)# interface dialer 1	Creates a dialer interface and enters interface configuration mode.
Step 4	encapsulation <i>type</i> Example: Router(config-if)# encapsulation ppp	Specifies the encapsulation type.
Step 5	dialer persistent [delay [initial] <i>seconds</i> max-attempts <i>number</i>] Example: Router(config-if)# dialer persistent delay initial 20	Forces a dialer interface to be connected at all times, even in the absence of interesting traffic.
Step 6	tag-switching ip Example: Router(config-if)# tag-switching ip	Enables label switching of IPv4 packets on an interface.
Step 7	exit Example: Router(config-if)# exit	Returns to global configuration mode.

Verifying the ISDN Backup for MPLS Feature

Perform this task to verify that you have correctly configured the ISDN Backup for MPLS feature.

SUMMARY STEPS

1. `enable`
2. `show mpls forwarding-table`
3. `show mpls interfaces [interface] [detail]`
4. `exit`

DETAILED STEPS

	Command or Action	Purpose
Step 1	<code>enable</code> Example: Router> enable	Enables privileged EXEC mode. <ul style="list-style-type: none"> • Enter your password if prompted.
Step 2	<code>show mpls forwarding-table</code> Example: Router# show mpls forwarding-table	Displays the contents of the MPLS FIB.
Step 3	<code>show mpls interfaces [interface] [detail]</code> Example: Router(config)# show mpls interfaces dialer detail	Displays the contents of the Multiprotocol Label Switching (MPLS) label forwarding information base (LFIB).
Step 4	<code>exit</code> Example: Router(config)# exit	Returns to global configuration mode.

Configuration Examples for ISDN Backup in MPLS Core

This section provides the following configuration example:

- [ISDN Backup for MPLS Example, page 863](#)

ISDN Backup for MPLS Example

The following example shows the interface Dialer 1 being configured as the backup interface.

```
interface Serial1
  backup interface Dialer1
  ip address 172.16.1.1 255.0.0.0
  mpls ip
  encapsulation ppp
!
interface Serial0:23
  no ip address
  encapsulation ppp
  dialer pool-member 1
```

```

ppp authentication chap
!
interface Dialer1
 ip address 172.16.1.3 255.0.0.0
 encapsulation ppp
 dialer pool 1
 dialer remote-name P1
 dialer string 1114
 dialer persistent
 dialer-group 1
 mpls ip
 ppp authentication chap
!
```

Additional References

The following sections provide additional references related to the ISDN Backup in MPLS Core feature.

Related Documents

Related Topic	Document Title
Dialer Persistent feature	<i>“Dialer Persistent Feature”</i>
Dial-Backup Configuration	<i>“Configuring Dial Backup with Dialer Profiles”</i> chapter of the <i>Cisco IOS Dial Technologies Configuration Guide</i> .

Standards

Standards	Title
None	—

MIBs

MIBs	MIBs Link
None	To obtain lists of supported MIBs by platform and Cisco IOS release, and to download MIB modules, go to the Cisco MIB website on Cisco.com at the following URL: http://www.cisco.com/public/sw-center/netmgmt/cmtk/mibs.shtml

RFCs

RFCs	Title
None	—

Technical Assistance

Description	Link
Technical Assistance Center (TAC) home page, containing 30,000 pages of searchable technical content, including links to products, technologies, solutions, technical tips, and tools. Registered Cisco.com users can log in from this page to access even more content.	http://www.cisco.com/public/support/tac/home.shtml

Cisco and the Cisco Logo are trademarks of Cisco Systems, Inc. and/or its affiliates in the U.S. and other countries. A listing of Cisco's trademarks can be found at www.cisco.com/go/trademarks. Third party trademarks mentioned are the property of their respective owners. The use of the word partner does not imply a partnership relationship between Cisco and any other company. (1005R)

Any Internet Protocol (IP) addresses and phone numbers used in this document are not intended to be actual addresses and phone numbers. Any examples, command display output, network topology diagrams, and other figures included in the document are shown for illustrative purposes only. Any use of actual IP addresses or phone numbers in illustrative content is unintentional and coincidental.

© 2007–2009 Cisco Systems, Inc. All rights reserved.



Configuring Dial Backup Using Dialer Watch

First Published: February 24, 1998

Last Updated: February 18, 2010

The Dialer Watch feature provides enhancements to the Hot Standby Router Protocol (HSRP) function. This feature provides the backup router and backup links as soon as the primary routers and links become inactive.

Finding Feature Information

Your software release may not support all the features documented in this module. For the latest feature information and caveats, see the release notes for your platform and software release. To find information about the features documented in this module, and to see a list of the releases in which each feature is supported, see the “[Feature Information for Configuring Dial Backup Using Dialer Watch](#)” section on [page 882](#).

Use Cisco Feature Navigator to find information about platform support and Cisco IOS and Catalyst OS software image support. To access Cisco Feature Navigator, go to <http://www.cisco.com/go/cfn>. An account on Cisco.com is not required.

Contents

- [Prerequisites for Configuring Dial Backup Using Dialer Watch, page 868](#)
- [Information About Configuring Dial Backup Using Dialer Watch, page 868](#)
- [How to Configure Dialer Backup Using Dialer Watch, page 869](#)
- [Configuration Examples for Dialer Watch, page 873](#)
- [Additional References, page 880](#)
- [Feature Information for Configuring Dial Backup Using Dialer Watch, page 882](#)



Americas Headquarters:
Cisco Systems, Inc., 170 West Tasman Drive, San Jose, CA 95134-1706 USA

Prerequisites for Configuring Dial Backup Using Dialer Watch

- Decide which interfaces on which routers will act as primary and secondary interfaces. Unlike traditional backup methods, you can define multiple interfaces on multiple routers instead of a singly defined interface on one router.
- Determine which addresses and networks are to be monitored or watched. Typically, this will be the address of an interface on a remote router or a network advertised by a central or remote router.

Information About Configuring Dial Backup Using Dialer Watch

To configure dial backup using the Dialer Watch feature, you should understand the following concept:

- [Dialer Watch Overview, page 868](#)

Dialer Watch Overview

Dialer Watch is a backup feature that integrates dial backup with routing capabilities. Prior dial backup implementations used the following conditions to trigger backup:

- Interesting packets were defined at central and remote routers using dial-on-demand routing (DDR).
- Connection loss occurred on a primary interface using a back up interface with floating static routes.
- Traffic thresholds were exceeded using a dialer load threshold.

Prior backup implementations may not have supplied optimum performance on some networks, such as those using Frame Relay multipoint subinterfaces or Frame Relay connections that do not support end-to-end permanent virtual circuit (PVC) status updates.

Dialer Watch provides reliable connectivity without relying solely on defining interesting traffic to trigger outgoing calls at the central router. Dialer Watch uses the convergence times and characteristics of dynamic routing protocols. Integrating backup and routing features enables Dialer Watch to monitor every deleted route. By configuring a set of watched routes that define the primary interface, you are able to monitor and track the status of the primary interface as watched routes are added and deleted.

Monitoring the watched routes is done in the following sequence:

1. Whenever a watched route is deleted, Dialer Watch checks whether there is at least one valid route for any of the defined watched IP addresses.
2. If no valid route exists, the primary line is considered down and unusable.
3. If a valid route exists for at least one of the defined IP addresses and if the route is pointing to an interface other than the backup interface configured for Dialer Watch, the primary link is considered up.
4. If the primary link goes down, Dialer Watch is immediately notified by the routing protocol and the secondary link is brought up.
5. Once the secondary link is up, at the expiration of each idle timeout, the primary link is rechecked.
6. If the primary link remains down, the idle timer is indefinitely reset.
7. If the primary link is up, the secondary backup link is disconnected. Additionally, you can set a disable timer to create a delay for the secondary link to disconnect, after the primary link is reestablished.

Dialer Watch provides the following advantages:

- Routing—Backup initialization is linked to the dynamic routing protocol, rather than a specific interface or static route entry. Therefore, both primary and backup interfaces can be any interface type, and can be used across multiple interfaces and multiple routers. Dialer Watch also relies on convergence, which is sometimes preferred over traditional DDR links.
- Routing protocol independent—Static routes or dynamic routing protocols, such as Interior Gateway Routing Protocol (IGRP), Enhanced IGRP (EIGRP) or Open Shortest Path First (OSPF) can be used.
- Nonpacket semantics—Dialer Watch does not exclusively rely on interesting packets to trigger dialing. The link is automatically brought up when the primary line goes down without postponing dialing.
- Dial backup reliability—DDR redial functionality is extended to dial indefinitely in the event that secondary backup lines are not initiated. Typically, DDR redial attempts are affected by enable-timeouts and wait-for-carrier time values. Intermittent media difficulties or flapping interfaces can cause problems for traditional DDR links. However, Dialer Watch automatically reestablishes the secondary backup line on ISDN, synchronous, and asynchronous serial links.

The following prerequisites apply to Dialer Watch:

- The router is dial backup capable, meaning the router has a data communications equipment (DCE), terminal adapter, or network termination 1 device attached that supports V.25bis.
- The router is configured for DDR. This configuration includes traditional commands such as **dialer map** and **dialer in-band** commands, and so on.
- Dialer Watch is only supported for IP at this time.

For information on how to configure traditional DDR for dial backup, see the other chapters in the “Dial Backup” part of this publication.

**Note**

The Multilink PPP Minimum Links Mandatory feature has priority over the Dialer Watch feature. If both features are configured simultaneously then the ISDN link will not become inactive even if the primary link is active.

How to Configure Dialer Backup Using Dialer Watch

This section contains the following sections:

- [Configuring the Interface to Perform DDR Backup, page 869](#) (Required)
- [Creating a Dialer List, page 870](#) (Required)
- [Setting the Disable Timer on the Backup Interface, page 871](#) (Optional)

Configuring the Interface to Perform DDR Backup

Perform this task to configure the interface to perform DDR backup. This task initiates Dialer Watch.

SUMMARY STEPS

1. **enable**
2. **configure terminal**

3. **interface** *type number*
4. **dialer watch-group** *group-number*

DETAILED STEPS

	Command or Action	Purpose
Step 1	enable Example: Router> enable	Enables privileged EXEC mode. <ul style="list-style-type: none"> • Enter your password if prompted.
Step 2	configure terminal Example: Router# configure terminal	Enters global configuration mode.
Step 3	interface <i>type number</i> Example: Router(config)# interface bri0	Enters interface configuration mode.
Step 4	dialer watch-group <i>group-number</i> Example: Router(config)# dialer watch-group 1	Enables Dialer Watch on the backup interface.

Creating a Dialer List

Perform this task to create a dialer list. This task defines the IP addresses that you want to be watched.

SUMMARY STEPS

1. **enable**
2. **configure terminal**
3. **dialer watch-list** *group-number ip ip-address address-mask*

DETAILED STEPS

	Command or Action	Purpose
Step 1	enable Example: Router> enable	Enables privileged EXEC mode. <ul style="list-style-type: none"> Enter your password if prompted.
Step 2	configure terminal Example: Router# configure terminal	Enters global configuration mode.
Step 3	dialer watch-list <i>group-number</i> ip <i>ip-address</i> <i>address-mask</i> Example: Router(config)# dialer watch-list 1 ip 192.0.2.0 255.255.255.224	Defines all IP addresses to be watched. <ul style="list-style-type: none"> The dialer watch-list command is the means to detect if the primary interface is up or down. The primary interface is determined to be up when there is an available route with a valid metric to any of the addresses defined in this list, and it points to an interface other than the interface on which the dialer watch-group command is defined. The primary interface is determined to be down when there is no available route to any of the addresses defined in the dialer watch-list command.

Setting the Disable Timer on the Backup Interface

Perform this task to set the disable timer on the backup interface. You may want to implement a delay before the backup interface is dropped once the primary interface recovers. This delay can ensure stability, especially for flapping interfaces or interfaces experiencing frequent route changes.

**Note**

The **dialer watch-disable** command used in Dialer Watch configurations was replaced in Cisco IOS Release 12.3(11)T by the **dialer watch-list delay** command. When using the **dialer watch-list delay** command in software later than Cisco IOS Release 12.3(11)T, you can specify both a connect and disconnect timer for the disable timer. The disconnect time specifies that the disconnect timer is started when the secondary link is up and after the idle timeout period has expired, and only when software has determined that the primary route has come up.

In Cisco IOS Releases Prior to 12.3(11)T

Perform this task to apply a disable timer.

SUMMARY STEPS

- enable**
- configure terminal**
- interface** *type number*
- dialer watch-disable** *seconds*

DETAILED STEPS

	Command or Action	Purpose
Step 1	enable Example: Router> enable	Enables privileged EXEC mode. <ul style="list-style-type: none">Enter your password if prompted.
Step 2	configure terminal Example: Router# configure terminal	Enters global configuration mode.
Step 3	interface <i>type number</i> Example: Router(config)# interface ethernet 1/0	Enters interface configuration mode.
Step 4	dialer watch-disable <i>seconds</i> Example: Router(config-if)# dialer watch-disable seconds	Applies a disable timer to the interface.

In Cisco IOS Release 12.3(11)T and Later

Perform this task to apply a disable timer.

SUMMARY STEPS

- enable**
- configure terminal**
- interface** *type number*
- dialer watch-list** *group-number delay {connect connect-time | disconnect disconnect-time}*

DETAILED STEPS

	Command or Action	Purpose
Step 1	enable Example: Router> enable	Enables privileged EXEC mode. <ul style="list-style-type: none">Enter your password if prompted.
Step 2	configure terminal Example: Router# configure terminal	Enters global configuration mode.

	Command or Action	Purpose
Step 3	interface <i>type number</i> Example: Router(config)# interface ethernet 1/0	Enters interface configuration mode.
Step 4	dialer watch-list <i>group-number delay {connect connect-time disconnect disconnect-time}</i> Example: Router(config-if)# dialer watch-list 1 delay connect 50	Configures a disable time. <ul style="list-style-type: none"> • <i>group-number</i>—Group number assigned to the list. Valid group numbers are from 1 to 255. • delay—Specifies that the router will delay dialing the secondary link when the primary link becomes unavailable. • connect <i>connect-time</i>—Time, in seconds, after which the router rechecks for availability of the primary link. If the primary link is still unavailable, the secondary link is then dialed. Valid times range from 1 to 2147483 seconds. • disconnect <i>disconnect-time</i>—Time, in seconds, that specifies when to disconnect. Disconnect occurs when the secondary link is up and after the idle timeout period has expired, and only when software has determined that the primary route has come up. Valid times range from 1 to 2147483 seconds.

Configuration Examples for Dialer Watch

The **dialer watch-disable** command used in Dialer Watch configurations was replaced in Cisco IOS Release 12.3(11)T by the **dialer watch-list delay** command. The following sections provide examples of how to configure Dialer Watch in software before and after the **dialer watch-disable** command was replaced.

- [Configuring Dialer Watch Prior to Cisco IOS Release 12.3\(11\)T: Example, page 873](#)
- [Configuring Dialer Watch with Cisco IOS Release 12.3\(11\)T and Later Releases: Example, page 877](#)

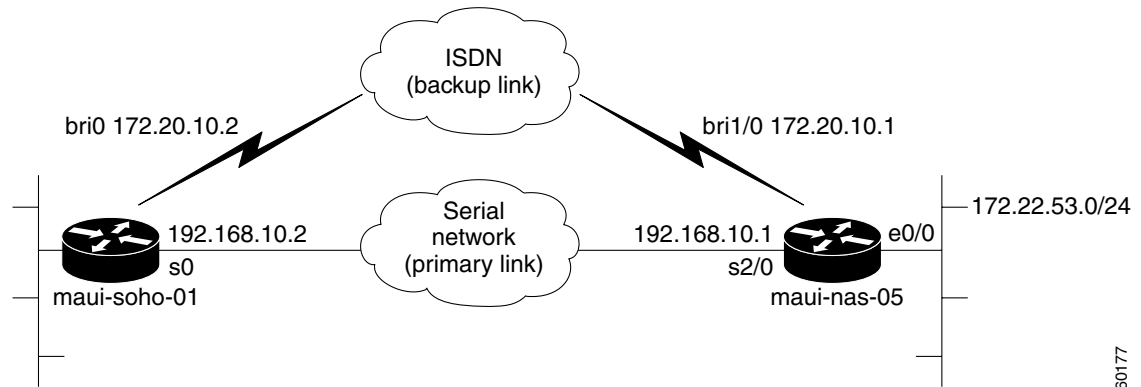
Configuring Dialer Watch Prior to Cisco IOS Release 12.3(11)T: Example

In the following example, an ISDN BRI line is used to back up a serial leased line connection by configuring the Dialer Watch feature on a router named maui-soho-01. The Dialer Watch feature enables the router to monitor the existence of a specified route. If that route is not present, the backup interface is activated. Unlike other backup methods, the Dialer Watch feature does not require interesting traffic to activate the backup interface. The configuration shown in [Figure 1](#) uses legacy dial-on-demand routing (DDR) and the Open Shortest Path First (OSPF) routing protocol. Dialer profiles can be used in place of DDR. Once the backup connection is activated, you must ensure that the routing table is updated to use the new backup route. Additional information about the Dialer Watch feature is available at the following website:

<http://www.cisco.com/warp/public/129/bri-backup-map-watch.html>

For additional information on configuring legacy DDR, dialer profiles, PPP, and traditional dial backup features, see the relevant chapters in this publication.

Figure 1 *Dialer Watch for Frame Relay Interfaces*



Note

The following example uses commands supported in Cisco IOS software prior to Release 12.3(11)T. See the updated example for configuring Dialer Watch after Cisco IOS Release 12.3(11)T that follows this example.

Configuration for maui-soho-01

```
maui-soho-01# show running-config
```

```
Building configuration...
```

```
Current configuration : 1546 bytes
```

```
!
version 12.1
no service single-slot-reload-enable
service timestamps debug uptime
service timestamps log uptime
no service password-encryption
!
hostname maui-soho-01
!
logging rate-limit console 10 except errors
aaa new-model
aaa authentication login default local
aaa authentication login NO_AUTHEN none
aaa authentication ppp default local
!This is basic AAA configuration for PPP calls.
enable secret 5 <deleted>
!
username maui-nas-05 password 0 cisco
!Username for remote router (maui-nas-05) and shared secret.
!Shared secret(used for CHAP authentication) must be the same on both sides.
ip subnet-zero
no ip finger
!
isdn switch-type basic-ni
!
interface Loopback0
 ip address 209.165.200.225 255.255.255.224
!
interface Ethernet0
 ip address 209.165.200.226 255.255.255.224
```

```
!  
interface Serial0  
!Primary link.  
 ip address 209.165.200.227 255.255.255.224  
 encapsulation ppp  
 ppp authentication chap  
!  
interface BRI0  
 ip address 209.165.200.228 255.255.255.224  
!IP address for the BRI interface (backup link).  
 encapsulation ppp  
 dialer idle-timeout 30  
!Idle timeout(in seconds)for this backup link.  
!Dialer watch checks the status of the primary link every time the  
!idle-timeout expires.  
 dialer watch-disable 15  
!Delays disconnecting the backup interface for 15 seconds after the  
!primary interface is found to be up.  
 dialer map ip 192.0.2.0 name maui-nas-05 broadcast 5550111  
!Dialer map for the BRI interface of the remote router.  
 dialer map ip 192.0.2.1 name maui-nas-05 broadcast 5550111  
!Map statement for the route/network being watched by the  
!dialer watch-list command.  
!This address must exactly match the network configured with the  
!dialer watch-list command.  
!When the watched route disappears, this dials the specified phone number.  
 dialer watch-group 8  
!Enable Dialer Watch on this backup interface.  
!Watch the route specified with dialer watch-list 8.  
 dialer-group 1  
!Apply interesting traffic defined in dialer-list 1.  
 isdn switch-type basic-ni  
 isdn spid1 51255522220101 5550112  
 isdn spid2 51255522230101 5550112  
 ppp authentication chap  
!Use chap authentication.  
!  
router ospf 5  
 log-adjacency-changes  
 network 209.165.200.230 255.255.255.224 area 0  
 network 209.165.200.231 255.255.255.224 area 0  
 network 209.165.200.232 255.255.255.224 area 0  
 network 209.165.200.233 255.255.255.224 area 0  
!  
ip classless  
no ip http server  
!  
dialer watch-list 8 ip 209.165.200.234 255.255.255.224  
!This defines the route(s) to be watched.  
!This exact route(including subnet mask) must exist in the routing table.  
!Use the dialer watch-group 8 command to apply this list to the backup interface.  
access-list 101 remark Define Interesting Traffic  
access-list 101 deny ospf any any  
!Mark OSPF as uninteresting.  
!This will prevent OSPF hellos from keeping the link up.  
Access-list 101 permit ip any any  
dialer-list 1 protocol ip list 101  
!Interesting traffic is defined by access-list 101.  
!This is applied to BRI0 using dialer-group 1.  
!  
line con 0  
 login authentication NO_AUTHEN  
 transport input none  
line vty 0 4
```

```
!
end
```

Configuration for maui-nas-05

```
maui-nas-05# show running-config
```

```
Building configuration...
```

```
Current configuration:
```

```
!
version 12.1
service timestamps debug uptime
service timestamps log uptime
no service password-encryption
!
hostname maui-nas-05
!
aaa new-model
aaa authentication login default local
aaa authentication login NO_AUTHEN none
aaa authentication ppp default local
! -- This is basic AAA configuration for PPP calls.
Enable secret 5 <deleted>
!
username maui-soho-01 password 0 cisco
!Username for remote router (maui-soho-01) and shared secret.
!Shared secret(used for CHAP authentication) must be the same on both sides.
!
ip subnet-zero
!
isdn switch-type basic-ni
!
interface Loopback0
 ip address 209.165.200.230 255.255.255.224
!
interface Ethernet0/0
 ip address 209.165.200.231 255.255.255.224
!
interface Ethernet0/1
 no ip address
 shutdown
!
interface BRI1/0
!Backup link.
 ip address 209.165.200.231 255.255.255.224
 encapsulation ppp
 dialer map ip 172.20.10.2 name maui-soho-01 broadcast
!Dialer map with IP address and authenticated username for remote destination.
!The name should match the authentication username provided by the remote side.
!The dialer map statement is used even though this router is not dialing out.
 Dialer-group 1
!Apply interesting traffic defined in dialer-list 1.
 isdn switch-type basic-ni
 isdn spid1 51255501110101 5550111
 isdn spid2 51255501120101 5550112
 ppp authentication chap
!
.
.
.
!
interface Serial2/0
 ip address 209.165.200.232 255.255.255.224
```

```

encapsulation ppp
clockrate 64000
ppp authentication chap
!
.
.
!
router ospf 5
 network 209.165.200.230 255.255.255.224 area 0
 network 209.165.200.231 255.255.255.224 area 0
 network 209.165.200.232 255.255.255.224 area 0
 network 209.165.200.233 255.255.255.224 area 0
 default-information originate
!
ip classless
ip route 209.165.200.229 255.255.255.224 Ethernet0/0
no ip http server
!
dialer-list 1 protocol ip permit
!This defines all IP traffic as interesting.
!
line con 0
 login authentication NO_AUTHEN
 transport input none
line 97 102
line aux 0
line vty 0 4
!
end

```

Configuring Dialer Watch with Cisco IOS Release 12.3(11)T and Later Releases: Example

The following example shows how to configure Dialer Watch using the **dialer watch-list delay** command that replaced the **dialer watch-disable** command.

Configuration for maui-soho-01

```

maui-soho-01# show running-config
Building configuration...

Current configuration : 1546 bytes
!
version 12.4
no service single-slot-reload-enable
service timestamps debug uptime
service timestamps log uptime
no service password-encryption
!
hostname maui-soho-01
!
logging rate-limit console 10 except errors
aaa new-model
aaa authentication login default local
aaa authentication login NO_AUTHEN none
aaa authentication ppp default local
!This is basic AAA configuration for PPP calls.
enable secret 5 <deleted>

```

```

!
username maui-nas-05 password 0 cisco
!Username for remote router (maui-nas-05) and shared secret.
!Shared secret(used for CHAP authentication) must be the same on both sides.
ip subnet-zero
no ip finger
!
isdn switch-type basic-ni
!
interface Loopback0
 ip address 209.165.200.225 255.255.255.224
!
interface Ethernet0
 ip address 209.165.200.226 255.255.255.224
!
interface Serial0
!Primary link.
 ip address 209.165.200.227 255.255.255.224
 encapsulation ppp
 ppp authentication chap
!
interface BRI0
 ip address 209.165.200.228 255.255.255.224
!IP address for the BRI interface (backup link).
 encapsulation ppp
 dialer idle-timeout 30
!Idle timeout(in seconds)for this backup link.
!Dialer watch checks the status of the primary link every time the
!idle-timeout expires.
 dialer map ip 192.0.2.1 name maui-nas-05 broadcast 5550111
!Dialer map for the BRI interface of the remote router.
 dialer map ip 192.0.2.2 name maui-nas-05 broadcast 5550111
!Map statement for the route/network being watched by the
!dialer watch-list command.
!This address must exactly match the network configured with the
!dialer watch-list command.
!When the watched route disappears, this dials the specified phone number.
 dialer watch-group 8
!Enable Dialer Watch on this backup interface.
!Watch the route specified with dialer watch-list 8.
 dialer-group 1
!Apply interesting traffic defined in dialer-list 1.
isdn switch-type basic-ni
 isdn spid1 51255522220101 5552222
 isdn spid2 51255522230101 5552223
 ppp authentication chap
!Use chap authentication.
 dialer watch-list 8 delay disconnect 15
!Delays disconnecting the backup interface for 15 seconds after the
!primary interface is found to be up.
!
router ospf 5
 log-adjacency-changes
 network 209.165.200.225 255.255.255.224 area 0
 network 209.165.200.226 255.255.255.224 area 0
 network 209.165.200.227 255.255.255.224 area 0
 network 209.165.200.228 255.255.255.224 area 0
!
ip classless
no ip http server
!
dialer watch-list 8 ip 209.165.200.229 255.255.255.224
!This defines the route(s) to be watched.
!This exact route(including subnet mask) must exist in the routing table.

```

```

!Use the dialer watch-group 8 command to apply this list to the backup interface.
access-list 101 remark Define Interesting Traffic
access-list 101 deny  ospf any any
!Mark OSPF as uninteresting.
!This will prevent OSPF hellos from keeping the link up.
Access-list 101 permit ip any any
dialer-list 1 protocol ip list 101
!Interesting traffic is defined by access-list 101.
!This is applied to BRI0 using dialer-group 1.
!
line con 0
  login authentication NO_AUTHEN
  transport input none
line vty 0 4
!
end

```

Configuration for maui-nas-05

```

maui-nas-05# show running-config
Building configuration...

Current configuration:
!
version 12.4
service timestamps debug uptime
service timestamps log uptime
no service password-encryption
!
hostname maui-nas-05
!
aaa new-model
aaa authentication login default local
aaa authentication login NO_AUTHEN none
aaa authentication ppp default local
! -- This is basic AAA configuration for PPP calls.
Enable secret 5 <deleted>
!
username maui-soho-01 password 0 cisco
!Username for remote router (maui-soho-01) and shared secret.
!Shared secret(used for CHAP authentication) must be the same on both sides.
!
ip subnet-zero
!
isdn switch-type basic-ni
!
interface Loopback0
  ip address 209.165.200.225 255.255.255.224
!
interface Ethernet0/0
  ip address 209.165.200.226 255.255.255.224
!
interface Ethernet0/1
  no ip address
  shutdown
!
interface BRI1/0
!Backup link.
  ip address 209.165.200.227 255.255.255.224
  encapsulation ppp
  dialer map ip 192.0.2.2 name maui-soho-01 broadcast
!Dialer map with IP address and authenticated username for remote destination.
!The name should match the authentication username provided by the remote side.

```

```

!The dialer map statement is used even though this router is not dialing out.
Dialer-group 1
!Apply interesting traffic defined in dialer-list 1.
 isdn switch-type basic-ni
 isdn spid1 51255501110101 5550111
 isdn spid2 51255501120101 5550112
 ppp authentication chap
!
! <<-- irrelevant output removed
!
interface Serial2/0
 ip address 192.168.10.1 255.255.255.252
 encapsulation ppp
 clockrate 64000
 ppp authentication chap
!
! <<-- irrelevant output removed
!
router ospf 5
 network 209.165.200.225 255.255.255.224 area 0
 network 209.165.200.226 255.255.255.224 area 0
 network 209.165.200.227 255.255.255.224 area 0
 network 209.165.200.228 255.255.255.224 area 0
 default-information originate
!
ip classless
ip route 209.165.200.225 255.255.255.224 Ethernet0/0
no ip http server
!
dialer-list 1 protocol ip permit
!This defines all IP traffic as interesting.
!
line con 0
 login authentication NO_AUTHEN
 transport input none
line 97 102
line aux 0
line vty 0 4
!
end

```

Additional References

The following sections provide references related to the Configuring Dial Backup Using Dialer Watch.

Related Documents

Related Topic	Document Title
Cisco IOS commands	Cisco IOS Master Commands List, All Releases
Dial commands	Cisco IOS Dial Technologies Command Reference

Standards

Standard	Title
No new or modified standards are supported by this feature, and support for existing standards has not been modified by this feature.	—

MIBs

MIB	MIBs Link
No new or modified MIBs are supported, and support for existing MIBs has not been modified.	To locate and download MIBs for selected platforms, Cisco IOS releases, and feature sets, use Cisco MIB Locator found at the following URL: http://www.cisco.com/go/mibs

RFCs

RFC	Title
No new or modified RFCs are supported by this feature, and support for existing RFCs has not been modified by this feature.	—

Technical Assistance

Description	Link
<p>The Cisco Support website provides extensive online resources, including documentation and tools for troubleshooting and resolving technical issues with Cisco products and technologies.</p> <p>To receive security and technical information about your products, you can subscribe to various services, such as the Product Alert Tool (accessed from Field Notices), the Cisco Technical Services Newsletter, and Really Simple Syndication (RSS) Feeds.</p> <p>Access to most tools on the Cisco Support website requires a Cisco.com user ID and password.</p>	http://www.cisco.com/cisco/web/support/index.html

Feature Information for Configuring Dial Backup Using Dialer Watch

Table 1 lists the release history for this feature.

Not all commands may be available in your Cisco IOS software release. For release information about a specific command, see the command reference documentation.

Use Cisco Feature Navigator to find information about platform support and software image support. Cisco Feature Navigator enables you to determine which Cisco IOS and Catalyst OS software images support a specific software release, feature set, or platform. To access Cisco Feature Navigator, go to <http://www.cisco.com/go/cfn>. An account on Cisco.com is not required.



Note

Table 1 lists only the Cisco IOS software release that introduced support for a given feature in a given Cisco IOS software release train. Unless noted otherwise, subsequent releases of that Cisco IOS software release train also support that feature.

Table 1 Feature Information for Configuring Dial Backup Using Dialer Watch

Feature Name	Releases	Feature Information
Dialer Watch	11.3(2)T	The Dialer Watch feature provides enhancements to the Hot Standby Router Protocol (HSRP) function. This feature provides the backup router and backup links as soon as the primary routers and links become inactive. The following commands were introduced or modified: dialer watch-disable, dialer watch-group, dialer watch-list.

Cisco and the Cisco Logo are trademarks of Cisco Systems, Inc. and/or its affiliates in the U.S. and other countries. A listing of Cisco's trademarks can be found at www.cisco.com/go/trademarks. Third party trademarks mentioned are the property of their respective owners. The use of the word partner does not imply a partnership relationship between Cisco and any other company. (1005R)

Any Internet Protocol (IP) addresses and phone numbers used in this document are not intended to be actual addresses and phone numbers. Any examples, command display output, network topology diagrams, and other figures included in the document are shown for illustrative purposes only. Any use of actual IP addresses or phone numbers in illustrative content is unintentional and coincidental.

© 1998–2010 Cisco Systems, Inc. All rights reserved.



Dialer Watch Connect Delay

Feature History

Release	Modification
12.2(8)T	This feature was introduced.

This document describes the Dialer Watch Connect Delay feature in Cisco IOS Release 12.2(8)T and includes the following sections:

- [Feature Overview, page 883](#)
- [Supported Platforms, page 884](#)
- [Supported Standards, MIBs, and RFCs, page 885](#)
- [Prerequisites, page 885](#)
- [Configuration Tasks, page 885](#)
- [Verifying Dialer Watch Connect Delay Configuration](#)
- [Configuration Examples, page 887](#)
- [Command Reference, page 888](#)

Feature Overview

The Dialer Watch Connect Delay feature introduces the ability to configure a delay in bringing up a secondary link when a primary link that is monitored by Dialer Watch goes down and is removed from the routing table. Previously, the router would instantly dial a secondary route without allowing time for the primary route to come back up. When the Dialer Watch Connect Delay feature is configured, the router will check for availability of the primary link at the end of the specified delay time before dialing the secondary link.



Benefits

The Dialer Watch Connect Delay feature allows users greater control over the use of a secondary link on monitored IP addresses or networks. Configuring the router to delay bringing up a secondary link when the watched primary link goes down will allow time for the primary link to be restored in the event of a temporary outage.

Related Documents

- The part “Dial-on-Demand Routing Configuration” in the *Cisco IOS Dial Technologies Configuration Guide*, Release 12.2.
- The chapter “Configuring Dial Backup Using Dialer Watch” in the *Cisco IOS Dial Technologies Configuration Guide*, Release 12.2.
- *Cisco IOS Dial Technologies Command Reference*, Release 12.2

Supported Platforms

- Cisco 805
- Cisco 806
- Cisco 820
- Cisco 827
- Cisco 828
- Cisco 1600 series
- Cisco 1700
- Cisco 1710
- Cisco 2600 series
- Cisco 3640
- Cisco 3660
- Cisco 7100
- Cisco 7200
- Cisco 7500
- soho 78
- mc3810
- C6MSFC2

Determining Platform Support Through Cisco Feature Navigator

Cisco IOS software is packaged in feature sets that support specific platforms. To get updated information regarding platform support for this feature, access Cisco Feature Navigator. Cisco Feature Navigator dynamically updates the list of supported platforms as new platform support is added for the feature.

Cisco Feature Navigator is a web-based tool that enables you to quickly determine which Cisco IOS software images support a specific set of features and which features are supported in a specific Cisco IOS image. You can search by feature or release. Under the release section, you can compare releases side by side to display both the features unique to each software release and the features in common.

To access Cisco Feature Navigator, you must have an account on Cisco.com. If you have forgotten or lost your account information, send a blank e-mail to cco-locksmith@cisco.com. An automatic check will verify that your e-mail address is registered with Cisco.com. If the check is successful, account details with a new random password will be e-mailed to you. Qualified users can establish an account on Cisco.com by following the directions at <http://www.cisco.com/register>.

Cisco Feature Navigator is updated regularly when major Cisco IOS software releases and technology releases occur. For the most current information, go to the Cisco Feature Navigator home page at the following URL:

<http://www.cisco.com/go/fn>

Supported Standards, MIBs, and RFCs

Standards

No new or modified standards are supported by this feature.

MIBs

No new or modified MIBs are supported by this feature.

To obtain lists of supported MIBs by platform and Cisco IOS release, and to download MIB modules, go to the Cisco MIB website on Cisco.com at the following URL:

<http://www.cisco.com/public/sw-center/netmgmt/cmtk/mibs.shtml>

RFCs

No new or modified RFCs are supported by this feature.

Prerequisites

Dial-on-Demand routing (DDR) must be configured and Dialer Watch must be enabled. For more information on configuring DDR, refer to the following documents:

- The part “Dial-on-Demand Routing Configuration” in the *Cisco IOS Dial Technologies Configuration Guide*, Release 12.2.
- The chapter “Configuring Dial Backup Using Dialer Watch” in the *Cisco IOS Dial Technologies Configuration Guide*, Release 12.2.

Configuration Tasks

See the following sections for configuration tasks for the Dialer Watch Connect Delay feature. Each task in the list is identified as either required or optional.

- [Configuring a Delay Before Activating a Secondary Link](#) (required)

- [Configuring a Delay Before Disconnecting the Secondary Link](#) (optional)

Configuring a Delay Before Activating a Secondary Link

To configure the router to delay before dialing a secondary link when the primary link goes down, use the following command in global configuration mode:

Command	Purpose
Router(config)# dialer watch-list <i>group-number</i> delay connect <i>connect-time</i>	Configures a delay in dialing the secondary link when the primary link becomes unavailable. <ul style="list-style-type: none"> • The delay connect keyword phrase specifies that the router will delay dialing the secondary link when the primary link becomes unavailable. • The <i>connect-time</i> argument specifies the time, in seconds, after which the router rechecks for availability of the primary link. If the primary link is still unavailable, the secondary link is then dialed. Valid times range from 1 to 2147483.

Configuring a Delay Before Disconnecting the Secondary Link

To configure the router to delay before disconnecting a secondary link when the primary link is reestablished, use the following command in global configuration mode:

Command	Purpose
Router(config)# dialer watch-list <i>group-number</i> delay disconnect <i>disconnect-time</i>	Configures a delay in disconnecting the secondary link after detecting availability of the primary link. <ul style="list-style-type: none"> • The delay disconnect keyword phrase specifies that the router will delay disconnecting the secondary link after detecting availability of the primary link. • The <i>disconnect-time</i> argument specifies the time, in seconds, after which the router disconnects the secondary link once the primary link has been detected. Valid times range from 1 to 2147483.

Verifying Dialer Watch Connect Delay Configuration

To verify the configuration for the Dialer Watch Connect Delay feature, perform the following steps:

- Step 1** Enter the **show running-config** command to verify the configuration of Dialer Watch connect and disconnect delays:

```
router# show running-config

dialer watch-list 1 ip 10.1.1.1 255.0.0.0
dialer watch-list 1 delay connect 20
dialer watch-list 1 delay disconnect 20
```

```
dialer-list 1 protocol ip permit
```

Step 2 Enter the **debug dialer** command:

```
router# debug dialer
```

```
Connect Delay
```

```
-----
*Mar 1 04:29:16:DDR:Dialer Watch:watch-group = 1
*Mar 1 04:29:16:DDR: network 5.0.0.0/255.0.0.0 DOWN,
*Mar 1 04:29:16:DDR: network 4.0.0.0/255.0.0.0 DOWN,
*Mar 1 04:29:16:DDR: network 3.0.0.0/255.0.0.0 DOWN,
*Mar 1 04:29:16:DDR: primary DOWN
*Mar 1 04:29:16:DDR:Dialer Watch: Primary of group 1 DOWN - start dial-backup timer
```

```
Disconnect delay
```

```
-----
*Mar 1 04:31:11:BR2/0:1 DDR:idle timeout
*Mar 1 04:31:11:DDR:Dialer Watch:watch-group = 1
*Mar 1 04:31:11:DDR: network 5.0.0.0/255.0.0.0 UP,
*Mar 1 04:31:11:DDR: primary UP
*Mar 1 04:31:11:BR2/0:1 DDR:starting watch disconnect timer
*Mar 1 04:31:46:BR2/0:1 DDR:watch disconnect timeout
*Mar 1 04:31:46:DDR:Dialer Watch:watch-group = 1
*Mar 1 04:31:46:DDR: network 5.0.0.0/255.0.0.0 UP,
*Mar 1 04:31:46:DDR: primary UP
```

Configuration Examples

This section provides the following configuration examples:

- [Configuring a Delay Before Activating a Secondary Link Example](#)
- [Configuring a Delay Before Disconnecting a Secondary Link Example](#)

Configuring a Delay Before Activating a Secondary Link Example

The following example configures the router to wait 10 seconds before verifying that the primary link is still down and dialing a secondary link:

```
dialer watch-list 1 ip 10.1.1.0 255.255.255.0
dialer watch-list 1 delay connect 10
```

Configuring a Delay Before Disconnecting a Secondary Link Example

The following example configures the router to wait 10 seconds to disconnect a secondary link once the primary link has been reestablished:

```
dialer watch-list 1 ip 10.1.1.0 255.255.255.0
dialer watch-list 1 delay disconnect 10
```

Command Reference

The following commands are introduced or modified in the feature or features documented in this module. For information about these commands, see the *Cisco IOS Dial Technologies Command Reference* at http://www.cisco.com/en/US/docs/ios/dial/command/reference/dia_book.html. For information about all Cisco IOS commands, go to the Command Lookup Tool at <http://tools.cisco.com/Support/CLILookup> or to the *Cisco IOS Master Commands List*

- **dialer watch-list delay**

Cisco and the Cisco Logo are trademarks of Cisco Systems, Inc. and/or its affiliates in the U.S. and other countries. A listing of Cisco's trademarks can be found at www.cisco.com/go/trademarks. Third party trademarks mentioned are the property of their respective owners. The use of the word partner does not imply a partnership relationship between Cisco and any other company. (1005R)

Any Internet Protocol (IP) addresses and phone numbers used in this document are not intended to be actual addresses and phone numbers. Any examples, command display output, network topology diagrams, and other figures included in the document are shown for illustrative purposes only. Any use of actual IP addresses or phone numbers in illustrative content is unintentional and coincidental.

© 2007–2009 Cisco Systems, Inc. All rights reserved.



VRF Aware Dialer Watch

The VRF Aware Dialer Watch feature enhances dialer watch functionality by allowing an IP address and VPN routing and forwarding (VRF) instance pair to be watched for dial backup.

Feature History for the VRF Aware Dialer Watch Feature

Release	Modification
12.3(7)T	This feature was introduced.

Finding Support Information for Platforms and Cisco IOS Software Images

Use Cisco Feature Navigator to find information about platform support and Cisco IOS software image support. Access Cisco Feature Navigator at <http://www.cisco.com/go/fn>. You must have an account on Cisco.com. If you do not have an account or have forgotten your username or password, click **Cancel** at the login dialog box and follow the instructions that appear.

Contents

- [Information About VRF Aware Dialer Watch, page 889](#)
- [How to Configure VRF Aware Dialer Watch, page 891](#)
- [Configuration Examples for VRF Aware Dialer Watch, page 893](#)
- [Additional References, page 894](#)
- [Command Reference, page 895](#)

Information About VRF Aware Dialer Watch

To configure the VRF Aware Dialer Watch feature, you need to understand the following concepts:

- [How VRF Aware Dialer Watch Works, page 890](#)
- [VRF Aware Dialer Watch Typical Scenario, page 891](#)



Americas Headquarters:
Cisco Systems, Inc., 170 West Tasman Drive, San Jose, CA 95134-1706 USA

How VRF Aware Dialer Watch Works

The Cisco IOS Dialer Watch software feature integrates dial backup with routing capabilities. The Dialer Watch dial backup technology uses a route called watched-route, and whenever the watched-route entry is lost from a routing table, a new backup link is brought up.

With the VRF Aware Dialer Watch feature introduced in Cisco IOS Release 12.3(7)T, you configure the watched-route as an IP address and VRF pair. A VRF is a per-Virtual Private Network (VPN) routing information repository that defines the VPN membership of a customer site attached to a network access server. A VRF consists of an IP routing table, a derived Cisco Express Forwarding (CEF) table, a set of interfaces that use the forwarding table, and a set of rules and routing protocol parameters that control the information that is included in the routing table. A separate set of routing and CEF tables is maintained for each VPN customer.

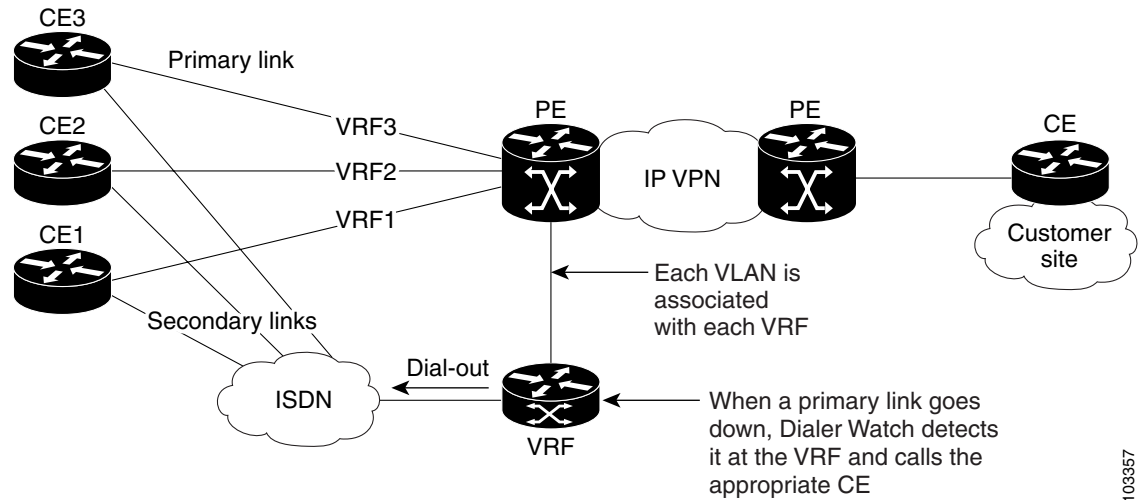
The corresponding VRF table configured in the VRF Aware Dialer Watch feature is used to detect when watched-route for the VRF has gone down. The original Dialer Watch feature looked only at the global routing table to determine if the watched route had gone down. The VRF Aware Dialer Watch feature allows configuring multiple VRFs apart from the global routing table. A secondary link will be brought up when the watched route in the corresponding VRF table goes down.

It is important to note that the VRF might have overlapping address space, as follows: At the provider edge (PE) router, each customer edge (CE) router—the router that is part of the customer network and that interfaces to a PE router—will have a corresponding VRF associated with it. Further, two CE routers might be using the same address space, so that the corresponding VRFs at the PE router will have overlapping address space. For this reason, you must configure the watched route as an IP address and VRF name pair, where the IP address is the watched IP address and the VRF name is the routing and forwarding instance to which the IP address belongs. Configuring the Dialer Watch feature with only the IP address did not ensure that the correct CE route would be dialed when a watched route went down. Configuring the new VRF Aware Dialer Watch feature with an IP address and VRF name pair ensures that the VRF table corresponding to the routing and forwarding instance to which the IP address belongs is found and the correct CE is dialed.

VRF Aware Dialer Watch Typical Scenario

Figure 1 shows a typical configuration that uses the VRF Aware Dialer Watch feature.

Figure 1 VRF Aware Dialer Watch Typical Configuration



A typical scenario for the VRF Aware Dialer Watch feature follows:

- A VRF router learns the route to the CE from a PE.
- The VRF router watches these learned routes to the CEs.
- The primary link between a PE and CE goes down.
- The watched route goes down in the VRF router.
- Dialer Watch call is initiated to the corresponding CE.

The backup link will be bound to the correct VRF. In configurations with a dialer profile, the dialer profile interface is statically bound to the corresponding VRF. In configurations without a dialer profile, a virtual access interface is created dynamically that is bound to the VRF.

How to Configure VRF Aware Dialer Watch

This section contains the following required task to configure the VRF Aware Dialer Watch feature:

- [Configuring the Dialer Watch List, page 891](#) (required)

Configuring the Dialer Watch List

This task configures a watched route made up of an IP address and VRF pair to be monitored by Dialer Watch using the **dialer watch-list** command. Most configurations contain several **dialer watch-list** commands, to specify a list of watched routes.

You must also configure a group number in a **dialer watch-group** interface configuration command, and the standard commands required to enable the router to perform dial-on-demand routing in addition to the Dialer Watch commands. Refer to Cisco IOS configuration guides and command references listed in

the “[Related Documents](#)” section for additional information. See the “[Configuration Examples for VRF Aware Dialer Watch](#)” section for examples of how the VRF Aware Dialer Watch feature can be configured.

SUMMARY STEPS

1. **enable**
2. **configure terminal**
3. **dialer watch-list** *group-number* {**ip** *ip-address address-mask* [**vrf** *vrf-name*] | **delay route-check initial** *seconds*}
4. **exit**

DETAILED STEPS

	Command or Action	Purpose
Step 1	enable Example: Router> enable	Enables privileged EXEC mode. <ul style="list-style-type: none"> • Enter your password if prompted.
Step 2	configure terminal Example: Router# configure terminal	Enters global configuration mode.
Step 3	dialer watch-list <i>group-number</i> { ip <i>ip-address address-mask</i> [vrf <i>vrf-name</i>] delay route-check initial <i>seconds</i> }	Specifies the list of watched routes of IP addresses or IP address and VRF pairs to be monitored by Dialer Watch. <ul style="list-style-type: none"> • <i>group-number</i>—Matches the group number set in a dialer watch-group interface configuration command. • ip <i>ip-address address-mask</i>—Specifies the IP address or address range and address mask to be applied to the list. • vrf <i>vrf-name</i>—(Optional) Specifies a watched route using the VRF table named in the <i>vrf-name</i> argument. • delay route-check initial <i>seconds</i>—Number of seconds after which the router ensures that the primary route is up once initial startup is complete. <p>Note You can define one watch route that watches the same IP address, but belongs to a different VRF, in a single watch list.</p>
Step 4	exit Example: Router(config)# exit	Exits global configuration mode. <ul style="list-style-type: none"> • Use the end command to save your configuration and leave configuration mode.

Configuration Examples for VRF Aware Dialer Watch

This section contains the following examples. See the “[Related Documents](#)” section on page 895 for additional documents that contain examples that will show use of configuring VRF aware dialer maps.

- [VRF Aware Dialer Watch on a Legacy Dialer Configuration: Example, page 893](#)
- [VRF Aware Dialer Watch on a Dialer Rotary Group: Example, page 893](#)
- [VRF Aware Dialer Watch on a Dialer Profile Configuration: Example, page 894](#)

VRF Aware Dialer Watch on a Legacy Dialer Configuration: Example

The following example specifies a pair of watched routes in a legacy dialer configuration. In this configuration, watch lists 1 and 2 are both watching the same IP address, but belong to different VRFs.

```
interface BRI3/0
 ip address 10.0.2.2 255.255.255.0
 encapsulation ppp
 dialer map 10.1.2.0 vrf v1 3xxxxxxx
 dialer map 10.1.2.0 vrf v2 4xxxxxxx
 dialer-group 1
 dialer watch-group 1
 dialer watch-group 2
 isdn switch-type ntt
 ppp authentication chap
!
dialer watch-list 1 ip 10.2.1.0 255.255.255.0 vrf v1
dialer watch-list 2 ip 10.2.1.0 255.255.255.0 vrf v2
```

VRF Aware Dialer Watch on a Dialer Rotary Group: Example

The following example specifies a pair of watched routes in a dialer rotary group configuration. In this configuration, watch lists 1 and 2 are both watching the same IP address, but belong to different VRFs.

```
interface BRI3/0
 no ip address
 encapsulation ppp
 dialer rotary-group 1
 isdn switch-type ntt
 ppp authentication chap
!
interface Dialer1
 ip address 10.0.2.2 255.255.255.0
 encapsulation ppp
 dialer remote-name c3640-B
 dialer watch-disable 30
 dialer map 10.1.2.0 vrf v1 3xxxxxxx
 dialer map 10.1.2.0 vrf v2 4xxxxxxx
 dialer watch-group 1
 dialer watch-group 2
 dialer-group 1
 ppp authentication chap
!
dialer watch-list 1 ip 10.2.1.0 255.255.255.0 vrf v1
dialer watch-list 2 ip 10.2.1.0 255.255.255.0 vrf v2
```

VRF Aware Dialer Watch on a Dialer Profile Configuration: Example

The following example specifies a pair of watched routes in a dialer profile configuration. In this configuration, watch lists 1 and 2 are both watching the same IP address, but belong to different VRFs.

```
interface BRI3/0
  no ip address
  encapsulation ppp
  dialer pool-member 1
  isdn switch-type ntt
  ppp authentication chap
!
!
interface Dialer1
  ip vrf forwarding v1
  ip address 10.0.2.2 255.255.255.0
  encapsulation ppp
  dialer pool 1
  dialer remote-name c3640-B
  dialer watch-disable 30
  dialer string 03xxxxxxx1
  dialer caller 03xxxxxxx1 callback
  dialer watch-group 1
  dialer-group 1
  ppp authentication chap
!
!
interface Dialer2
  ip vrf forwarding v2
  ip address 10.0.2.2 255.255.255.0
  encapsulation ppp
  dialer pool 1
  dialer remote-name c3640-B
  dialer watch-disable 30
  dialer string 04xxxxxxx1
  dialer caller 04xxxxxxx1 callback
  dialer watch-group 2
  dialer-group 1
  ppp authentication chap
!
dialer watch-list 1 ip 10.2.1.0 255.255.255.0 vrf v1
dialer watch-list 2 ip 10.2.1.0 255.255.255.0 vrf v2
```

Additional References

The following sections provide references related to the VRF Aware Dialer Watch feature.

Related Documents

Related Topic	Document Title
Dialer Watch	“Configuring Dial Backup Using Dialer Watch” chapter in the <i>Cisco IOS Dial Technologies Configuration Guide</i>
Dialer commands	<i>Cisco IOS Dial Technologies Command Reference, Release 12.3 T</i>
VRF-aware dialer maps	<i>Dialer Map VRF-Aware for an MPLS VPN</i> feature module

Standards

Standards	Title
None	—

MIBs

MIBs	MIBs Link
None	To locate and download MIBs for selected platforms, Cisco IOS releases, and feature sets, use Cisco MIB Locator found at the following URL: http://www.cisco.com/go/mibs

RFCs

RFCs	Title
None	—

Technical Assistance

Description	Link
Technical Assistance Center (TAC) home page, containing 30,000 pages of searchable technical content, including links to products, technologies, solutions, technical tips, and tools. Registered Cisco.com users can log in from this page to access even more content.	http://www.cisco.com/public/support/tac/home.shtml

Command Reference

The following commands are introduced or modified in the feature or features documented in this module. For information about these commands, see the *Cisco IOS Dial Technologies Command Reference* at http://www.cisco.com/en/US/docs/ios/dial/command/reference/dia_book.html. For

information about all Cisco IOS commands, go to the Command Lookup Tool at <http://tools.cisco.com/Support/CLILookup> or to the *Cisco IOS Master Commands List*.

- **dialer watch-list**

Cisco and the Cisco Logo are trademarks of Cisco Systems, Inc. and/or its affiliates in the U.S. and other countries. A listing of Cisco's trademarks can be found at www.cisco.com/go/trademarks. Third party trademarks mentioned are the property of their respective owners. The use of the word partner does not imply a partnership relationship between Cisco and any other company. (1005R)

.Any Internet Protocol (IP) addresses and phone numbers used in this document are not intended to be actual addresses and phone numbers. Any examples, command display output, network topology diagrams, and other figures included in the document are shown for illustrative purposes only. Any use of actual IP addresses or phone numbers in illustrative content is unintentional and coincidental.

© 2001-2009 Cisco Systems, Inc. All rights reserved.



Dial-Related Addressing Services



Configuring Cisco Easy IP

This chapter describes how to configure the Cisco Easy IP feature. It includes the following main sections:

- [Cisco Easy IP Overview](#)
- [How to Configure Cisco Easy IP](#)
- [Configuration Examples for Cisco Easy IP](#)

To identify the hardware platform or software image information associated with a feature, use the Feature Navigator on Cisco.com to search for information about the feature or refer to the software release notes for a specific release. For more information, see the “Identifying Supported Platforms” section in the “Using Cisco IOS Software” chapter.

For a complete description of the Cisco Easy IP commands in this chapter, refer to the *Cisco IOS Dial Technologies Command Reference*. To locate documentation of other commands that appear in this chapter, use the command reference master index or search online.

Cisco Easy IP Overview

Cisco Easy IP enables transparent and dynamic IP address allocation for hosts in remote environments using the following functionality:

- Cisco Dynamic Host Configuration Protocol (DHCP) server
- Port Address Translation (PAT), a subset of Network Address Translation (NAT)
- Dynamic PPP/IP Control Protocol (PPP/IPCP) WAN interface IP address negotiation

With the Cisco IOS Easy IP, a Cisco router automatically assigns local IP addresses to remote hosts (such as small office, home office or SOHO routers) using DHCP with the Cisco IOS DHCP server, automatically negotiates its own registered IP address from a central server via PPP/IPCP, and uses PAT functionality to enable all SOHO hosts to access the Internet using a single registered IP address. Because Cisco IOS Easy IP uses existing port-level multiplexed NAT functionality within Cisco IOS software, IP addresses on the remote LAN are invisible to the Internet, making the remote LAN more secure.

Cisco Easy IP provides the following benefits:

- Minimizes Internet access costs for remote offices

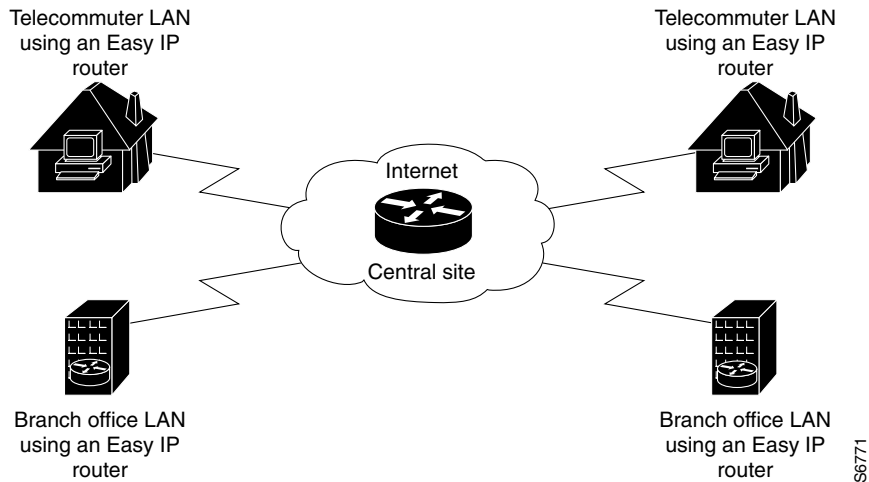


Americas Headquarters:
Cisco Systems, Inc., 170 West Tasman Drive, San Jose, CA 95134-1706 USA

- Minimizes configuration requirements on remote access routers
- Enables transparent and dynamic IP address allocation for hosts in remote environments
- Improves network security capabilities at each remote site
- Conserves registered IP addresses
- Maximizes IP address manageability

Figure 1 shows a typical scenario for using the Cisco Easy IP feature.

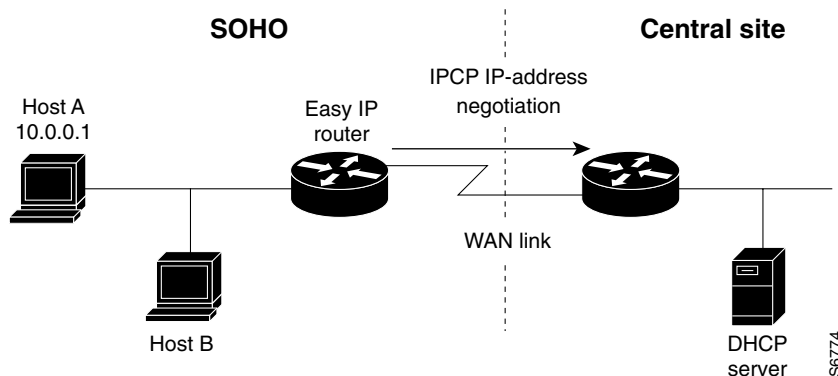
Figure 1 Telecommuter and Branch Office LANs Using Cisco Easy IP



Steps 1 through 4 show how Cisco Easy IP works:

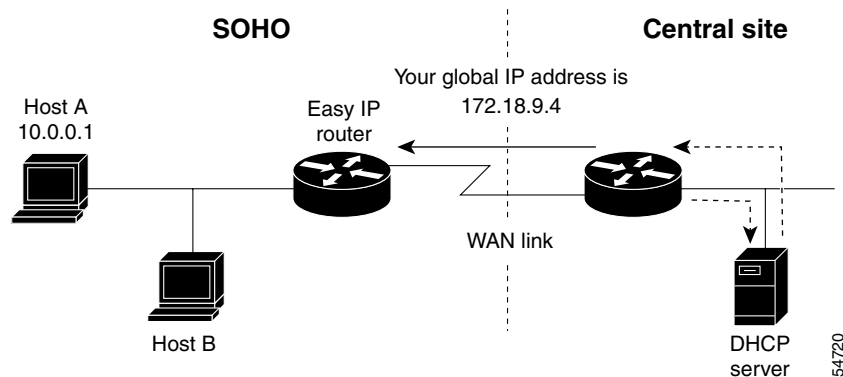
- Step 1** When a SOHO host generates “interesting” traffic (as defined by Access Control Lists) for dialup (first time only), the Easy IP router requests a single registered IP address from the access server at the central site via PPP/IPCP. (See Figure 2.)

Figure 2 Cisco Easy IP Router Requests a Dynamic Global IP Address



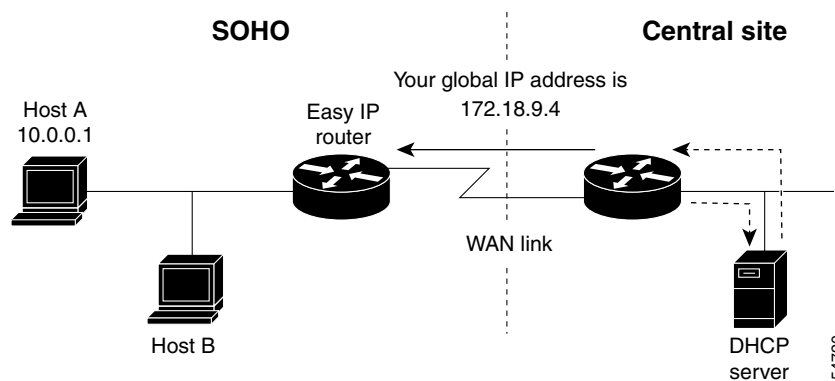
- Step 2** The central site router replies with a dynamic global address from a local DHCP IP address pool. (See Figure 3.)

Figure 3 *Dynamic Global IP Address Delivered to the Cisco Easy IP Router*



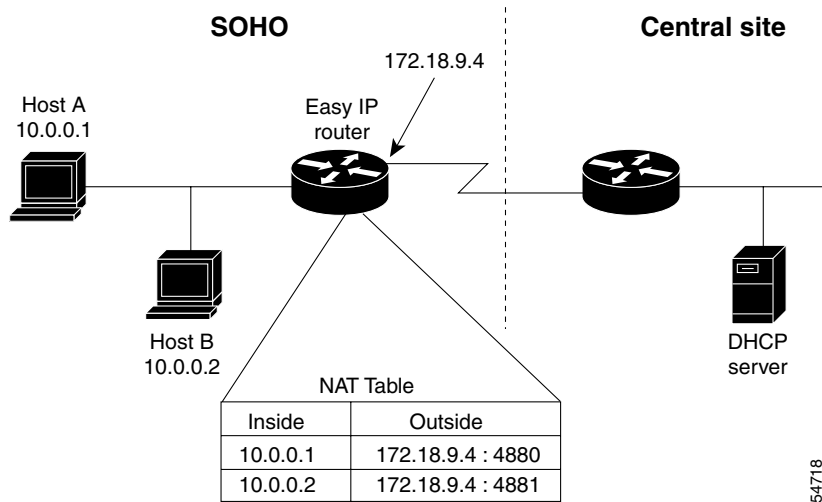
- Step 3** The Cisco Easy IP router uses port-level NAT functionality to automatically create a translation that associates the registered IP address of the WAN interface with the private IP address of the client. (See [Figure 4](#).)

Figure 4 *Port-Level NAT Functionality Used for IP Address Translation*



- Step 4** The remote hosts contain multiple static IP addresses while the Cisco Easy IP router obtains a single registered IP address using PPP/IPCPC. The Cisco Easy IP router then creates port-level multiplexed NAT translations between these addresses so that each remote host address (inside private address) is translated to a single external address assigned to the Cisco Easy IP router. This many-to-one address translation is also called port-level multiplexing or PAT. Note that the NAT port-level multiplexing function can be used to conserve global addresses by allowing the remote routers to use one global address for many local addresses. (See [Figure 5](#).)

Figure 5 Multiple Private Internal IP Addresses Bound to a Single Global IP Address



54718

How to Configure Cisco Easy IP

Before using Cisco Easy IP, perform the following tasks:

- Configure the ISDN switch type and service provider identifier (SPID), if using ISDN.
- Configure the static route from LAN to WAN interface.
- Configure the Cisco IOS DHCP server.

For information about configuring ISDN switch types, see the chapter “Setting Up ISDN Basic Rate Service” earlier in this publication. For information about configuring static routes, refer to the chapter “Configuring IP Services” in the *Cisco IOS IP Configuration Guide*.

The Cisco IOS DHCP server supports both DHCP and BOOTP clients and supports finite and infinite address lease periods. DHCP address binding information is stored on a remote host via remote copy protocol (RCP), FTP, or TFTP. Refer to the *Cisco IOS IP Configuration Guide* for DHCP configuration instructions.

In its most simple configuration, a Cisco Easy IP router or access server will have a single LAN interface and a single WAN interface. Based on this model, to use Cisco Easy IP you must perform the tasks in the following sections:

- [Defining the NAT Pool](#) (Required)
- [Configuring the LAN Interface](#) (Required)
- [Defining NAT for the LAN Interface](#) (Required)
- [Configuring the WAN Interface](#) (Required)
- [Enabling PPP/IPCPC Negotiation](#) (Required)
- [Defining NAT for the Dialer Interface](#) (Required)
- [Configuring the Dialer Interface](#) (Required)

For configuration examples, see the section “[Configuration Examples for Cisco Easy IP](#)” at the end of this chapter.

Defining the NAT Pool

The first step in enabling Cisco Easy IP is to create a pool of internal IP addresses to be translated. To define the NAT pool, use the following commands in global configuration mode:

	Command	Purpose
Step 1	Router(config)# access-list <i>access-list-number</i> permit <i>source</i> [<i>source-wildcard</i>]	Defines a standard access list permitting those addresses that are to be translated.
Step 2	Router(config)# ip nat inside source list <i>access-list-number</i> interface <i>dialer-name</i> overload	Establishes dynamic source translation, identifying the access list defined in the prior step.

For information about creating access lists, refer to the chapter “Configuring IP Services” in the *Cisco IOS IP Configuration Guide*.

Configuring the LAN Interface

To configure the LAN interface, use the following commands beginning in global configuration mode:

	Command	Purpose
Step 1	Router(config)# interface <i>type number</i>	Selects a specific LAN interface and begins interface configuration mode.
Step 2	Router(config-if)# ip address <i>address mask</i>	Defines the IP address and subnet mask for this interface.

For information about assigning IP addresses and subnet masks to network interfaces, refer to the chapter “Configuring IP Services” in the *Cisco IOS IP Configuration Guide*.

Defining NAT for the LAN Interface

To ensure that the LAN interface is connected to the inside network (and therefore subject to NAT), use the following command in interface configuration mode:

Command	Purpose
Router(config-if)# ip nat inside	Defines the interface as internal for NAT.

Configuring the WAN Interface

To configure the WAN interface, use the following commands beginning in global configuration mode:

	Command	Purpose
Step 1	Router(config)# interface <i>type number</i>	Selects the WAN interface and begins interface configuration mode.
Step 2	Router(config-if)# no ip address	Removes any associated IP address from this interface.

	Command	Purpose
Step 3	Router(config-if)# encapsulation ppp	Selects PPP as the encapsulation method for this interface.
Step 4	Router(config-if)# dialer pool-member <i>number</i>	Binds the WAN interface to the dialer interface.

Enabling PPP/PCP Negotiation

To enable PPP/IPCP negotiation on the dialer interface, use the following commands beginning in global configuration mode:

	Command	Purpose
Step 1	Router(config)# interface <i>dialer-name</i>	Selects the dialer interface and begins interface configuration mode.
Step 2	Router(config-if)# ip address negotiated	Enables PPP/IPCP negotiation for this interface.

Defining NAT for the Dialer Interface

To define that the dialer interface is connected to the outside network, use the following commands beginning in global configuration mode:

	Command	Purpose
Step 1	Router(config)# interface <i>dialer-name</i>	Selects the dialer interface and begins interface configuration mode.
Step 2	Router(config-if)# ip nat outside	Defines the interface as external for network address translation.

Configuring the Dialer Interface

To configure the dialer interface information, use the following commands beginning in global configuration mode:

	Command	Purpose
Step 1	Router(config)# interface <i>dialer-name</i>	Selects the dialer interface and begins interface configuration mode.
Step 2	Router(config-if)# dialer wait-for-carrier-time <i>seconds</i>	Specifies for a dialer interface the length of time the interface waits for a carrier before timing out.
Step 3	Router(config-if)# dialer hold-queue <i>packets</i>	Creates a dialer hold queue and specifies the number of packets to be held in it.
Step 4	Router(config-if)# dialer remote-name <i>username</i>	Specifies the remote router Challenge Handshake Authentication Protocol (CHAP) authentication name.

	Command	Purpose
Step 5	Router(config-if)# dialer idle-timeout <i>seconds</i>	Specifies the amount of idle time that can pass before calls to the central access server are disconnected. See the next section “ Timeout Considerations ,” for more details on this setting.
Step 6	Router(config-if)# dialer string <i>dialer-string</i>	Specifies the telephone number required to reach the central access server.
Step 7	Router(config-if)# dialer pool <i>number</i>	Specifies the dialing pool to use.
Step 8	Router(config-if)# dialer-group <i>group-number</i>	Assigns the dialer interface to a dialer group.

Timeout Considerations

Dynamic NAT translations time out automatically after a predefined default period. Although configurable, with the port-level NAT functionality in Cisco Easy IP, Domain Name System (DNS) User Datagram Protocol (UDP) translations time out after 5 minutes, while DNS translations time out after 1 minute by default. TCP translations time out after 24 hours by default, unless a TCP Reset (RST) or TCP Finish (FIN) is seen in the TCP stream, in which case the translation times out after 1 minute.

If the Cisco IOS Easy IP router exceeds the dialer idle-timeout period, it is expected that all active TCP sessions were previously closed via an RST or FIN. NAT times out all TCP translations before the Cisco Easy IP router exceeds the dialer idle-timeout period. The router then renegotiates another registered IP address the next time the WAN link is brought up, thereby creating new dynamic NAT translations that bind the IP addresses of the LAN host to the newly negotiated IP address.

Configuration Examples for Cisco Easy IP

The following example shows how to configure BRI interface 0 (shown as interface bri0) to obtain its IP address via PPP/PCP address negotiation:

```
! The following command defines the NAT pool.
ip nat inside source list 101 interface dialer1 overload
!
! The following commands define the ISDN switch type.
isdn switch type vn3
isdn tei-negotiation first-call
!
! The following commands define the LAN address and subnet mask.
interface ethernet0
 ip address 10.0.0.4 255.0.0.0

! The following command defines ethernet0 as internal for NAT.
ip nat inside
!
! The following commands binds the physical interface to the dialer1 interface.
interface bri0
 no ip address
 encapsulation ppp
 dialer pool-member 1
!
interface dialer1
!
! The following command enables PPP/PCP negotiation for this interface.
ip address negotiated
 encapsulation ppp
```

```

!
! The following command defines interface dialer1 as external for NAT.
ip nat outside
dialer remote-name dallas
dialer idle-timeout 180
!
! The following command defines the dialer string for the central access server.
dialer string 4159991234
dialer pool 1
dialer-group 1
!
! The following commands define the static route to the WAN interface.
ip route 0.0.0.0 0.0.0.0 dialer1
access-list 101 permit ip 10.0.0.0 0.255.255.255 any
dialer-list 1 protocol ip list 101

```

The following example shows how to configure an asynchronous interface (interface async1) to obtain its IP address via PPP/IPCP address negotiation:

```

! This command defines the NAT pool.
ip nat inside source list 101 interface dialer 1 overload
!
! The following commands define the LAN IP address and subnet mask.
interface ethernet0
ip address 10.0.0.4 255.0.0.0
!
! The following command defines ethernet0 as internal for NAT.
ip nat inside
!
! The following commands bind the physical dialer1 interface.
interface async1
no ip address
encapsulation ppp
async mode dedicated
dialer pool-member 1
!
interface dialer1
!
! The following command enables PPP/IPCP negotiation for this interface.
ip address negotiated
encapsulation ppp
!
! The following command defines interface dialer1 as external for NAT.
ip nat outside
dialer wait-for-carrier-time 30
dialer hold-queue 10
dialer remote-name dallas
dialer idle-timeout 180
!
! The following command defines the dialer string for the central access server.
dialer string 4159991234
dialer pool 1
dialer-group 1
!
! The following commands define the static route to the WAN interface.
ip route 0.0.0.0 0.0.0.0 dialer1
access-list 101 permit ip 10.0.0.0 0.255.255.255 any
dialer-list 1 protocol ip list 101

```

Cisco and the Cisco Logo are trademarks of Cisco Systems, Inc. and/or its affiliates in the U.S. and other countries. A listing of Cisco's trademarks can be found at www.cisco.com/go/trademarks. Third party trademarks mentioned are the property of their respective owners. The use of the word partner does not imply a partnership relationship between Cisco and any other company. (1005R)

.Any Internet Protocol (IP) addresses and phone numbers used in this document are not intended to be actual addresses and phone numbers. Any examples, command display output, network topology diagrams, and other figures included in the document are shown for illustrative purposes only. Any use of actual IP addresses or phone numbers in illustrative content is unintentional and coincidental.

© 2007–2009 Cisco Systems, Inc. All rights reserved.



Virtual Templates, Profiles, and Networks



Virtual Interface Template Service

First Published: May 10, 2001

Last Updated: November 20, 2009

The Virtual Interface Template Service feature provides a generic service that can be used to apply predefined interface configurations (virtual interface template services) in creating and freeing virtual access interfaces dynamically, as needed.

Finding Feature Information

Your software release may not support all the features documented in this module. For the latest feature information and caveats, see the release notes for your platform and software release. To find information about the features documented in this module, and to see a list of the releases in which each feature is supported, see the [“Feature Information for Virtual Interface Template”](#) section on page 916.

Use Cisco Feature Navigator to find information about platform support and Cisco IOS and Catalyst OS software image support. To access Cisco Feature Navigator, go to <http://www.cisco.com/go/cfn>. An account on Cisco.com is not required.

Contents

- [Restrictions for Virtual Interface Template Service, page 908](#)
- [Information About Virtual Interface Template Service, page 908](#)
- [How to Configure a Virtual Interface Template, page 910](#)
- [Configuration Examples for Virtual Interface Template, page 912](#)
- [Feature Information for Virtual Interface Template, page 916](#)



Americas Headquarters:

Cisco Systems, Inc., 170 West Tasman Drive, San Jose, CA 95134-1706 USA

Restrictions for Virtual Interface Template Service

The following restrictions apply for configuring the virtual interface template service feature:

- Although a system can generally support many virtual interface template services, one template for each virtual access application is a more realistic limit.
- When in use, each virtual access interface cloned from a template requires the same amount of memory as a serial interface. Limits to the number of virtual access interfaces that can be configured are determined by the platform.
- You cannot reuse virtual interface templates. You need to create different templates for different interface configurations.
- You cannot directly configure virtual access interfaces. You need to configure a virtual access interface by configuring a virtual interface template service or including the configuration information of the user on an authentication, authorization, and accounting (AAA) server. However, information about an in-use virtual access interface can be displayed, and the virtual access interface can be cleared.
- Virtual interface templates provide no *direct* value to you; they must be applied to or associated with a virtual access feature using a command with the **virtual-template** keyword.

For example, the **interface virtual-template** command creates the virtual interface template service.

For a complete description of the virtual interface service commands mentioned in this chapter, refer to the *Cisco IOS Dial Technologies Command Reference*. For information about all Cisco IOS commands, use the Command Lookup Tool at <http://tools.cisco.com/Support/CLILookup> or a Cisco IOS master commands list.

Information About Virtual Interface Template Service

To configure the virtual interface template service, you should understand the following concepts:

- [Virtual Interface Template Service Overview, page 908](#)
- [Benefits of Virtual Interface Template Service, page 909](#)
- [Features that Use Virtual Interface Template Service, page 909](#)
- [Selective Virtual Access Interface Creation, page 910](#)

Virtual Interface Template Service Overview

Virtual interface template services can be configured independently of any physical interface and applied dynamically, as needed, to create virtual access interfaces. When a user dials in, a predefined configuration template is used to configure a virtual access interface; when the user is done, the virtual access interface goes down and the resources are freed for other dial-in uses.

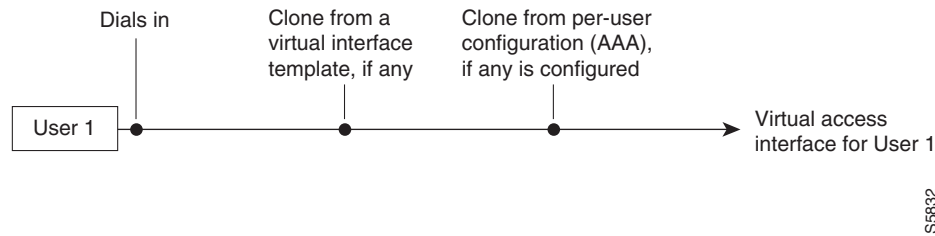
A virtual interface template service is a logical entity—a configuration for a serial interface but not tied to a physical interface—that can be applied dynamically as needed. Virtual access interfaces are virtual interfaces that are created, configured dynamically (for example, by *cloning* a virtual interface template service), used, and then freed when no longer needed.

Virtual interface template services are one possible source of configuration information for a virtual access interface.

Each virtual access interface can clone from only one template. But some applications can take configuration information from multiple sources; The result of using template and AAA configuration sources is a virtual access interface uniquely configured for a specific dial-in user.

[Figure 1](#) illustrates that a router can create a virtual access interface by first using the information from a virtual interface template service (if any is defined for the application) and then using the information in a per-user configuration.

Figure 1 Possible Configuration Sources for Virtual Access Interfaces



Benefits of Virtual Interface Template Service

The virtual interface template service is intended primarily for customers with large numbers of dial-in users and provides the following benefits:

- **Easy maintenance:** It allows customized configurations to be predefined and then applied dynamically when the specific need arises.
- **Scalability:** It allows interface configuration to be separated from physical interfaces. Virtual interfaces can share characteristics, no matter what specific type of interface the user called on.
- **Consistency and configuration ease:** It allows the same predefined template to be used for all users dialing in for a specific application.
- **Efficient router operation:** It frees the virtual access interface memory for another dial-in use when the call from the user ends.

Features that Use Virtual Interface Template Service

The following features use virtual interface template service to create virtual access interfaces dynamically:

- Virtual Private Dialup Networks (VPDNs)
- Virtual interface templates for protocol translation
- PPP over ATM

Virtual interface templates are supported on all platforms that support these features.

To create and configure a virtual interface template interface, complete the tasks in the [“Creating and Configuring a Virtual Interface Template”](#) section on page 910. To apply a virtual interface template service, refer to the specific feature that applies the virtual interface template.

All prerequisites depend on the feature that is applying a virtual interface template to create a virtual access interface. Virtual interface template services themselves have no other prerequisites.

Selective Virtual Access Interface Creation

You can configure a router to automatically determine whether to create a virtual access interface for each inbound connection. In particular, a call that is received on a physical asynchronous interface that uses a AAA per-user configuration for RADIUS or TACACS+ can be processed without a virtual access interface being created by a router.

To determine whether a virtual access interface is created, ensure the following exists:

- AAA per-user configuration
- Support for link interface support direct per-user AAA

A virtual access interface is created if there is a AAA per-user configuration *and* the link interface does not support direct per-user AAA (such as ISDN).

A virtual access interface is not created if the following conditions are not satisfied:

- There is no AAA per-user configuration.
- There is AAA per-user configuration and the link interface does support direct per-user AAA (such as asynchronous).

How to Configure a Virtual Interface Template

This section contains the following tasks:

- [Creating and Configuring a Virtual Interface Template, page 910](#) (required)
- [Monitoring and Maintaining a Virtual Access Interface, page 911](#) (required)

**Note**

The order in which you create virtual interface template service and configure the features that use the templates and profiles is not important. They must exist, however, before someone calling in can use them.

Creating and Configuring a Virtual Interface Template

To create and configure a virtual interface template service, use the **interface virtual-template** command.

**Note**

Configuring the **ip address** command within a virtual interface template service is not recommended. Configuring a specific IP address in a virtual interface template can result in the establishment of erroneous routes and the loss of IP packets.

Other PPP configuration commands can be added to the virtual interface template configuration. For example, you can add the **ppp authentication chap** command.

All configuration commands that apply to serial interfaces can also be applied to virtual interface template interfaces, except the **shutdown** and **dialer** commands.

For virtual interface template examples, see the “[Configuration Examples for Virtual Interface Template](#)” section on page 912 section.

SUMMARY STEPS

1. **enable**
2. **configure terminal**
3. **interface virtual-template** *number*
4. **ip unnumbered ethernet** *number*
5. **encapsulation ppp**
6. **end**

DETAILED STEPS

	Command or Action	Purpose
Step 1	enable Example: Router> enable	Enables privileged EXEC mode. <ul style="list-style-type: none"> • Enter your password if prompted.
Step 2	configure terminal Example: Router# configure terminal	Enters global configuration mode.
Step 3	interface virtual-template <i>number</i> Example: Router(config)# interface virtual-template 0/0	Creates a virtual interface template and enters interface configuration mode.
Step 4	ip unnumbered ethernet <i>number</i> Example: Router(config-if)# ip unnumbered ethernet 0/0	Enables IP without assigning a specific IP address on the LAN.
Step 5	encapsulation ppp Example: Router(config-if)# encapsulation ppp	Enables PPP encapsulation on the virtual interface template.
Step 6	end Example: Router(config-if)# end	Exits interface configuration mode and returns to privileged EXEC mode.

Monitoring and Maintaining a Virtual Access Interface

When a virtual interface template or a configuration from a user on a AAA server or both are applied dynamically, a virtual access interface is created. Although a virtual access interface cannot be created and configured directly, it can be displayed and cleared.

To display or clear a specific virtual access interface, use the **show interfaces virtual-access** and **clear interface virtual-access** commands.

SUMMARY STEPS

1. **enable**
2. **show interfaces virtual-access** *number*
3. **clear interface virtual-access** *number*

DETAILED STEPS

	Command or Action	Purpose
Step 1	enable Example: Router> enable	Enables privileged EXEC mode. <ul style="list-style-type: none"> • Enter your password if prompted.
Step 2	show interfaces virtual-access <i>number</i> Example: Router# show interfaces virtual-access 3	Displays the configuration of the virtual access interface.
Step 3	clear interface virtual-access <i>number</i> Example: Router# clear interface virtual-access 3	Tears down the virtual access interface and frees the memory for other dial-in uses.

Configuration Examples for Virtual Interface Template

The following sections provide virtual interface template configuration examples:

- [Virtual Interface Template: Example, page 912](#)
- [Selective Virtual Access Interface: Example, page 913](#)
- [Selective Virtual Access Interface Configuration for RADIUS per User: Example, page 913](#)
- [Selective Virtual Access Interface Configuration for TACACS+ per User: Example, page 913](#)

Virtual Interface Template: Example

The following example shows how to verify a virtual interface template configuration.


Note

Effective with Cisco Release 12.4(11)T, the **l2f protocol** command was removed in Cisco IOS software.

```
Router# show interfaces virtual-access 1
```

```
Virtual-Access1 is a L2F link interface
interface Virtual-Access1 configuration...
ip unnumbered ethernet0
ipx ppp-client Loopback2
no cdp enable
ppp authentication chap
```

Selective Virtual Access Interface: Example

The following example shows how to create a virtual access interface for incoming calls that require a virtual access interface:

```
aaa new-model
aaa authentication ppp default local radius tacacs
aaa authorization network default local radius tacacs

virtual-profile if-needed
virtual-profile virtual-template 1
virtual-profile aaa
!
interface virtual-template 1
 ip unnumbered Ethernet 0
 no ip directed-broadcast
 no keepalive
 ppp authentication chap
 ppp multilink
```

Selective Virtual Access Interface Configuration for RADIUS per User: Example

This example shows how to create AAA per-user configuration for a RADIUS user profile. When a AAA per-user configuration for a RADIUS user profile exists, a virtual access interface is configured automatically.

```
RADIUS user profile:
  name1 Password = "test"
        User-Service-Type = Framed-User,
        Framed-Protocol = PPP,
        cisco-avpair = "ip:inacl#1=deny 10.10.10.10 0.0.0.0",
        cisco-avpair = "ip:inacl#1=permit any"
```

Selective Virtual Access Interface Configuration for TACACS+ per User: Example

This example shows how to create AAA per-user configuration for a TACACS+ user profile:

```
user = name1 {
  name = "name1"
  global = cleartext test
  service = PPP protocol= ip {
    inacl#1="deny 10.10.10.10 0.0.0.0"
    inacl#1="permit any"
  }
}
```

Additional References

The following sections provide references related to the Virtual Interface Template Service feature.

Related Documents

Related Topic	Document Title
Dial interfaces, controllers and lines	“Overview of Dial Interfaces, Controllers, and Lines” module in the Cisco IOS Dial Technologies Configuration Guide
Dial commands	Cisco IOS Dial Technologies Command Reference

Standards

Standard	Title
None	—

MIBs

MIB	MIBs Link
None	To locate and download MIBs for selected platforms, Cisco IOS releases, and feature sets, use Cisco MIB Locator found at the following URL: http://www.cisco.com/go/mibs

RFCs

RFC	Title
None	—

Technical Assistance

Description	Link
<p>The Cisco Support website provides extensive online resources, including documentation and tools for troubleshooting and resolving technical issues with Cisco products and technologies.</p> <p>To receive security and technical information about your products, you can subscribe to various services, such as the Product Alert Tool (accessed from Field Notices), the Cisco Technical Services Newsletter, and Really Simple Syndication (RSS) Feeds.</p> <p>Access to most tools on the Cisco Support website requires a Cisco.com user ID and password.</p>	<p>http://www.cisco.com/techsupport</p>

Feature Information for Virtual Interface Template

Table 1 lists the release history for this feature.

Not all commands may be available in your Cisco IOS software release. For release information about a specific command, see the command reference documentation.

Use Cisco Feature Navigator to find information about platform support and software image support. Cisco Feature Navigator enables you to determine which Cisco IOS and Catalyst OS software images support a specific software release, feature set, or platform. To access Cisco Feature Navigator, go to <http://www.cisco.com/go/cfn>. An account on Cisco.com is not required.


Note

Table 1 lists only the Cisco IOS software release that introduced support for a given feature in a given Cisco IOS software release train. Unless noted otherwise, subsequent releases of that Cisco IOS software release train also support that feature.

Table 1 Feature Information for Virtual Interface Templates

Feature Name	Releases	Feature Information
Virtual Interface Template Service	11.2(1) 12.2(14)S 12.2(27)SBA 12.2(33)SRE 12.1(5)T 15.0(1)M	<p>Virtual interface template service can be configured independently of any physical interface and applied dynamically to create virtual access interfaces.</p> <p>The following sections provide information about this feature:</p> <ul style="list-style-type: none"> • Information About Virtual Interface Template Service, page 908 • Creating and Configuring a Virtual Interface Template, page 910 • Monitoring and Maintaining a Virtual Access Interface, page 911 <p>The following commands were introduced or modified: clear interfaces virtual-access, interface virtual-template, and show interfaces virtual-access</p>

Cisco and the Cisco Logo are trademarks of Cisco Systems, Inc. and/or its affiliates in the U.S. and other countries. A listing of Cisco's trademarks can be found at www.cisco.com/go/trademarks. Third party trademarks mentioned are the property of their respective owners. The use of the word partner does not imply a partnership relationship between Cisco and any other company. (1005R)

Any Internet Protocol (IP) addresses and phone numbers used in this document are not intended to be actual addresses and phone numbers. Any examples, command display output, network topology diagrams, and other figures included in the document are shown for illustrative purposes only. Any use of actual IP addresses or phone numbers in illustrative content is unintentional and coincidental.

© 2001–2009 Cisco Systems, Inc. All rights reserved.



Configuring Virtual Profiles

First Published: December 15, 1997

Last Updated: March 17, 2010

A virtual profile is a unique application that can create and configure a virtual access interface dynamically when a dial-in call is received and that can tear down the interface dynamically when the call ends.

Finding Feature Information

Your software release may not support all the features documented in this module. For the latest feature information and caveats, see the release notes for your platform and software release. To find information about the features documented in this module, and to see a list of the releases in which each feature is supported, see the [“Feature Information for Configuring Virtual Profiles”](#) section on page 936.

Use Cisco Feature Navigator to find information about platform support and Cisco IOS and Catalyst OS software image support. To access Cisco Feature Navigator, go to <http://www.cisco.com/go/cfn>. An account on Cisco.com is not required.

Contents

- [Prerequisites for Configuring Virtual Profiles, page 918](#)
- [Information About Configuring Virtual Profiles, page 918](#)
- [How to Configure Virtual Profiles, page 924](#)
- [Configuration Examples for Virtual Profiles, page 928](#)
- [Additional References, page 934](#)
- [Feature Information for Configuring Virtual Profiles, page 936](#)



Americas Headquarters:

Cisco Systems, Inc., 170 West Tasman Drive, San Jose, CA 95134-1706 USA

Prerequisites for Configuring Virtual Profiles

Cisco recommends that unnumbered addresses be used in virtual template interfaces to ensure that duplicate network addresses are not created on virtual access interfaces (VAIs).

Restrictions for Configuring Virtual Profiles

The **virtual-profile** command was removed from Cisco IOS Release 12.2(34)SB and 12.2(33)XNE, because Cisco 10000 series routers do not support the full VAIs these releases create and configuration errors could occur.

Information About Configuring Virtual Profiles

This section provides information about virtual profiles for use with virtual access interfaces and how virtual profiles work. Virtual profiles run on all Cisco IOS platforms that support Multilink PPP (MLP). Virtual profiles interoperate with Cisco dial-on-demand routing (DDR), MLP, and dialers such as ISDN. To configure virtual profiles, you should understand the following concepts:

- [Virtual Profiles Overview, page 918](#)
- [How Virtual Profiles Work—Four Configuration Cases, page 920](#)

Virtual Profiles Overview

Virtual profiles support these encapsulation methods:

- PPP
- MLP
- High-Level Data Link Control (HDLC)
- Link Access Procedure, Balanced (LAPB)
- X.25
- Frame Relay

Any commands for these encapsulations that can be configured under a serial interface can be configured under a virtual profile stored in a user file on an authentication, authorization, and accounting (AAA) server and a virtual profile virtual template configured locally. The AAA server daemon downloads them as text to the network access server and is able to handle multiple download attempts.

The configuration information for a virtual profiles virtual access interface can come from a virtual template interface or from user-specific configuration stored on a AAA server, or both.

If a B interface is bound by the calling line identification (CLID) to a created virtual access interface cloned from a virtual profile or a virtual template interface, only the configuration from the virtual profile or the virtual template takes effect. The configuration on the D interface is ignored unless successful binding occurs by PPP name. Both the link and network protocols run on the virtual access interface instead of the B channel, unless the encapsulation is PPP.

Moreover, in previous releases of Cisco IOS software, downloading a profile from an AAA server and creating and cloning a virtual access interface was always done after the PPP call answer and link control protocol (LCP) up processes. The AAA download is part of authorization. But in the current release,

these operations must be performed before the call is answered and the link protocol goes up. This restriction is a new AAA nonauthenticated authorization step. The virtual profile code handles multiple download attempts and identifies whether a virtual access interface was cloned from a downloaded virtual profile.

When a successful download is done through nonauthenticated authorization and the configuration on the virtual profile has encapsulation PPP and PPP authentication, authentication is negotiated as a separate step after LCP comes up.

The per-user configuration feature also uses configuration information gained from a AAA server. However, per-user configuration uses *network* configurations (such as access lists and route filters) downloaded during Network Control Protocol (NCP) negotiations.

Two rules govern virtual access interface configuration by virtual profiles, virtual template interfaces, and AAA configurations:

- Each virtual access application can have at most one template to clone from but can have multiple AAA configurations to clone from (virtual profiles AAA information and AAA per-user configuration, which in turn might include configuration for multiple protocols).
- When virtual profiles are configured by virtual template, its template has higher priority than any other virtual template.

DDR Configuration of Physical Interfaces

Virtual profiles fully interoperate with physical interfaces in the following DDR configuration states when no other virtual access interface application is configured:

- Dialer profiles are configured for the interface—The dialer profile is used instead of the virtual profiles configuration.
- DDR is not configured on the interface—Virtual profiles overrides the current configuration.
- Legacy DDR is configured on the interface—Virtual profiles overrides the current configuration.



Note

If a dialer interface is used (including any ISDN dialer), its configuration is used on the physical interface instead of the virtual profiles configuration.

Multilink PPP Effect on Virtual Access Interface Configuration

As shown in [Table 1](#), exactly how a virtual access interface will be configured depends on the following three factors:

- Whether virtual profiles are configured by a virtual template, by AAA, by both, or by neither. In the table, these states are shown as “VP VT only,” “VP AAA only,” “VP VT and VP AAA,” and “No VP at all,” respectively.
- The presence or absence of a dialer interface.
- The presence or absence of MLP. The column label “MLP” is a stand-in for any virtual access feature that supports MLP and clones from a virtual template interface.

In [Table 1](#), “(Multilink VT)” means that a virtual template interface is cloned *if* one is defined for MLP or a virtual access feature that uses MLP.

Table 1 Virtual Profiles Configuration Cloning Sequence

Virtual Profiles Configuration	MLP No Dialer	MLP Dialer	No MLP No Dialer	No MLP Dialer
VP VT only	VP VT	VP VT	VP VT	VP VT
VP AAA only	(Multilink VT) VP AAA	(Multilink VT) VP AAA	VP AAA	VP AAA
VP VT and VP AAA	VP VT VP AAA	VP VT VP AAA	VP VT VP AAA	VP VT VP AAA
No VP at all	(Multilink VT) ¹	Dialer ²	No virtual access interface is created.	No virtual access interface is created.

1. The multilink bundle virtual access interface is created and uses the default settings for MLP or the relevant virtual access feature that uses MLP.
2. The multilink bundle virtual access interface is created and cloned from the dialer interface configuration.

The order of items in any cell of the table is important. Where VP VT is shown above VP AAA, it means that first the virtual profile virtual template is cloned on the interface, and then the AAA interface configuration for the user is applied to it. The user-specific AAA interface configuration adds to the configuration and overrides any conflicting physical interface or virtual template configuration commands.

Interoperability with Other Features That Use Virtual Templates

Virtual profiles also interoperate with virtual access applications that clone a virtual template interface. Each virtual access application can have at most one template to clone from but can clone from multiple AAA configurations.

The interaction between virtual profiles and other virtual template applications is as follows:

- If virtual profiles are enabled and a virtual template is defined for it, the virtual profile virtual template is used.
- If virtual profiles are configured by AAA alone (no virtual template is defined for virtual profiles), the virtual template for another virtual access application (virtual private dialup networks or VPDNs, for example) can be cloned onto the virtual access interface.
- A virtual template, if any, is cloned to a virtual access interface before the virtual profiles AAA configuration or AAA per-user configuration. AAA per-user configuration, if used, is applied last.

How Virtual Profiles Work—Four Configuration Cases

This section describes virtual profiles and the various ways that they can work with virtual template interfaces, user-specific AAA interface configuration, and MLP or another feature that requires MLP.

Virtual profiles separate configuration information into two logical parts:

- **Generic**—Common configuration for dial-in users plus other router-dependent configuration. This common and router-dependent information can define a virtual template interface stored locally on the router. The generic virtual template interface is independent of and can override the configuration of the physical interface on which a user dialed in.

- User-specific interface information—Interface configuration stored in a user file on an AAA server; for example, the authentication requirements and specific interface settings for a specific user. The settings are sent to the router in the response to the request from the router to authenticate the user, and the settings can override the generic configuration. This process is explained more in the section “Virtual Profiles Configured by AAA” later in this chapter.

These logical parts can be used separately or together. Four separate cases are possible:

- [Case 1: Virtual Profiles Configured by Virtual Template, page 921](#)—Applies the virtual template.
- [Case 2: Virtual Profiles Configured by AAA, page 922](#)—Applies the user-specific interface configuration received from the AAA server.
- [Case 3: Virtual Profiles Configured by Virtual Template and AAA Configuration, page 923](#)—Applies the virtual template and the user-specific interface configuration received from the AAA server.
- [Case 4: Virtual Profiles Configured by AAA, and a Virtual Template Defined by Another Application, page 924](#)—Applies the other application’s virtual template interface and then applies the user-specific interface configuration received from the AAA server.

**Note**

All cases assume that AAA is configured globally on the router, that the user has configuration information in the user file on the AAA server, that PPP authentication and authorization proceed as usual, and that the AAA server sends user-specific configuration information in the authorization approval response packet to the router.

The cases also assume that AAA works as designed and that the AAA server sends configuration information for the dial-in user to the router, even when virtual profiles by virtual template are configured.

Case 1: Virtual Profiles Configured by Virtual Template

In the case of virtual profiles configured by virtual template, the software functions as follows:

- If the physical interface is configured for dialer profiles (a DDR feature), the router looks for a dialer profile for the specific user.
- If a dialer profile is found, it is used instead of virtual profiles.
- If a dialer profile is not found for the user, or legacy DDR is configured, or DDR is not configured at all, virtual profiles create a virtual access interface for the user.

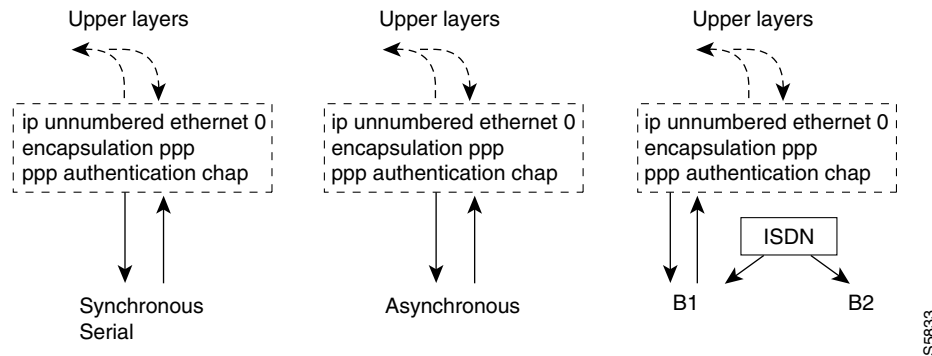
The router applies the configuration commands that are in the virtual template interface to create and configure the virtual profile. The template includes generic interface information and router-specific information, but no user-specific information. No matter whether a user dialed in on a synchronous serial, an asynchronous serial, or an ISDN interface, the dynamically created virtual profile for the user is configured as specified in the virtual template.

Then the router interprets the lines in the AAA authorization approval response from the server as Cisco IOS commands to apply to the virtual profile for the user.

Data flows through the virtual profile, and the higher layers treat it as the interface for the user.

For example, if a virtual template included only the three commands **ip unnumbered ethernet 0**, **encapsulation ppp**, and **ppp authentication chap**, the virtual profile for any dial-in user would include those three commands.

In [Figure 1](#), the dotted box represents the virtual profile configured with the commands that are in the virtual template, no matter which interface the call arrives on.

Figure 1 Virtual Profiles by Virtual Template

See the “[Configuring Virtual Profiles by Virtual Template](#)” section on page 925 for configuration tasks for this case.

Case 2: Virtual Profiles Configured by AAA

In this case, no dialer profile (a DDR feature) is defined for the specific user and no virtual template for virtual profiles is defined, but virtual profiles by AAA are enabled on the router.

During the PPP authorization phase for the user, the AAA server responds as usual to the router. The authorization approval contains configuration information for the user. The router interprets each of the lines in the AAA response from the server as Cisco IOS commands to apply to the virtual profile for the user.



Note

If MLP is negotiated, the MLP virtual template is cloned first (this is the second row), and then interface-specific commands included in the AAA response from the server for the user are applied. The MLP virtual template overrides any conflicting interface configuration, and the AAA interface configuration overrides any conflicting configuration from both the physical interface and the MLP virtual template.

The router applies all the user-specific interface commands received from the AAA server.

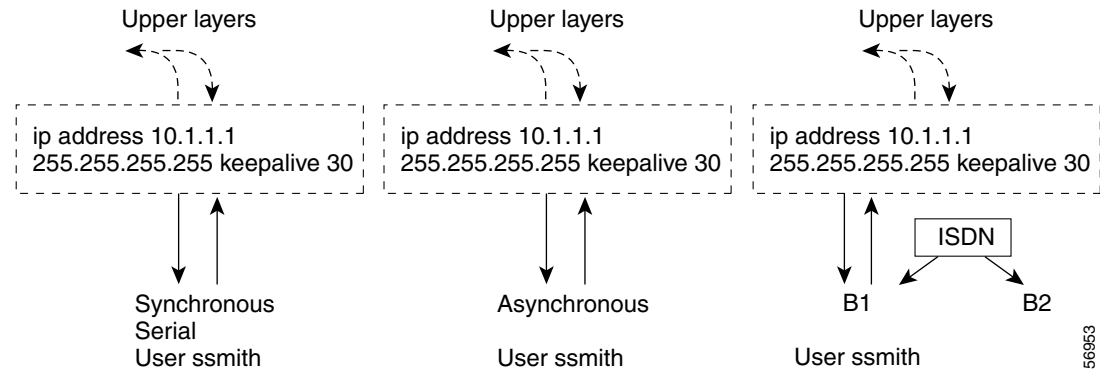
Suppose, for example, that the router interpreted the response by the AAA server as including only the following two commands for this user:

```
ip address 10.10.10.10 255.255.255.255
keepalive 30
```

In [Figure 2](#), the dotted box represents the virtual profile configured only with the commands received from the AAA server, no matter which interface the incoming call arrived on. On the AAA RADIUS server, the attribute-value (AV) pair might have read as follows, where “\n” means to start a new command line:

```
cisco-avpair = "lcp:interface-config=ip address 10.10.10.10 255.255.255.0\nkeepalive 30",
```

Figure 2 Virtual Profiles by AAA Configuration



See the “[Configuring Virtual Profiles by AAA Configuration](#)” section on page 926 for configuration tasks for this case.

Case 3: Virtual Profiles Configured by Virtual Template and AAA Configuration

In this case, no DDR dialer profile is defined for the specific user, a virtual template for virtual profiles is defined, virtual profiles by AAA is enabled on the router, the router is configured for AAA, and a user-specific interface configuration for the user is stored on the AAA server.

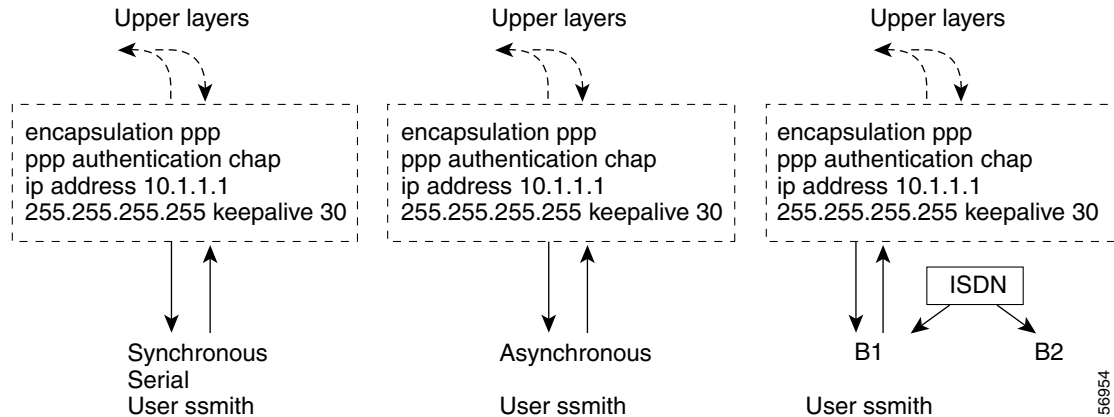
The router performs the following tasks in order:

1. Dynamically creates a virtual access interface cloned from the virtual template defined for virtual profiles.
2. Applies the user-specific interface configuration received from the AAA server.

If any command in the user’s configuration conflicts with a command on the original interface or a command applied by cloning the virtual template, the user-specific command overrides the other command.

Suppose that the router had the virtual template as defined in Case 1 and the AAA user configuration as defined in Case 2. In [Figure 3](#) the dotted box represents the virtual profile configured with configuration information from both sources, no matter which interface the incoming call arrived on. The **ip address** command has overridden the **ip unnumbered** command.

Figure 3 Virtual Profiles by Both Virtual Template and AAA Configuration



See the “[Configuring Virtual Profiles by Both Virtual Template and AAA Configuration](#)” section on [page 926](#) for configuration tasks for this case.

Case 4: Virtual Profiles Configured by AAA, and a Virtual Template Defined by Another Application

In this case, no DDR dialer profile is defined for the specific user, virtual profiles by AAA are configured on the router but no virtual template is defined for virtual profiles, and a user-specific interface configuration is stored on the AAA server. In addition, a virtual template is configured for some other virtual access application (a VPDN, for example).

The router performs the following tasks in order:

1. Dynamically creates a virtual access interface and clones the virtual template from the other virtual access application onto it.
2. Applies the user-specific interface configuration received from the AAA server.

If any command in the virtual template conflicts with a command on the original interface, the template overrides it.

If any command in the AAA interface configuration for the user conflicts with a command in the virtual template, the user AAA interface configuration conflicts will override the virtual template.

If per-user configuration is also configured on the AAA server, that network protocol configuration is applied to the virtual access interface last.

The result is a virtual interface unique to that user.

How to Configure Virtual Profiles

To configure virtual profiles for dial-in users, perform the tasks in *one* of the first three sections and then troubleshoot the configuration by performing the tasks in the last section:

- [Configuring Virtual Profiles by Virtual Template, page 925](#) (as required)
- [Configuring Virtual Profiles by AAA Configuration, page 926](#) (as required)
- [Configuring Virtual Profiles by Both Virtual Template and AAA Configuration, page 926](#) (as required)
- [Troubleshooting Virtual Profile Configurations, page 927](#) (as required)

**Note**

Do not define a DDR dialer profile for a user if you intend to define virtual profiles for the user.

Configuring Virtual Profiles by Virtual Template

To configure virtual profiles by virtual template, complete these two tasks:

- [Creating and Configuring a Virtual Template Interface, page 925](#)
- [Specifying a Virtual Template Interface for Virtual Profiles, page 925](#)

**Note**

The order in which these tasks is performed is not crucial. However, both tasks must be completed before virtual profiles are used.

Creating and Configuring a Virtual Template Interface

Because a virtual template interface is a serial interface, all the configuration commands that apply to serial interfaces can also be applied to virtual template interfaces, except **shutdown** and **dialer** commands.

To create and configure a virtual template interface, use the following commands:

	Command	Purpose
Step 1	Router(config)# interface virtual-template <i>number</i>	Creates a virtual template interface and enters interface configuration mode.
Step 2	Router(config-if)# ip unnumbered ethernet 0	Enables IP without assigning a specific IP address on the LAN.
Step 3	Router(config-if)# encapsulation ppp	Enables PPP encapsulation on the virtual template interface.

Other optional PPP configuration commands can be added to the virtual template configuration. For example, you can add the **ppp authentication chap** command.

Specifying a Virtual Template Interface for Virtual Profiles

To specify a virtual template interface as the source of information for virtual profiles, use the following command:

Command	Purpose
Router(config)# virtual-profile virtual-template <i>number</i>	Specifies the virtual template interface as the source of information for virtual profiles.

Virtual template numbers range from 1 to 25.

Configuring Virtual Profiles by AAA Configuration

To configure virtual profiles by AAA only, complete these three tasks in any order. All tasks must be completed before virtual profiles are used.

- On the AAA server, create user-specific interface configurations for each of the specific users to use this method. See your AAA server documentation for more detailed configuration information about your AAA server.
- Configure AAA on the router, as described in the *Cisco IOS Security Configuration Guide*.
- Specify AAA as the source of information for virtual profiles.

To specify AAA as the source of information for virtual profiles, use the following command:

Command	Purpose
Router(config)# virtual-profile aaa	Specifies AAA as the source of user-specific interface configuration.
Note Effective with Cisco IOS Release 12.2(34)SB and 12.2(33)XNE, the virtual-profile aaa command is not available in Cisco IOS software. In releases later than Cisco IOS Release 12.2, the router automatically creates virtual profiles when AAA attributes require a profile.	

If you also want to use per-user configuration for network protocol access lists or route filters for individual users, see the chapter “Configuring Per-User Configuration” in this publication. In this case, no virtual template interface is defined for virtual profiles.

Configuring Virtual Profiles by Both Virtual Template and AAA Configuration

Use of user-specific AAA interface configuration information with virtual profiles requires the router to be configured for AAA and requires the AAA server to have user-specific interface configuration AV pairs. The relevant AV pairs (on a RADIUS server) begin as follows:

```
cisco-avpair = "lcp:interface-config=...",
```

The information that follows the equal sign (=) could be any Cisco IOS interface configuration command. For example, the line might be the following:

```
cisco-avpair = "lcp:interface-config=ip address 192.168.200.200 255.255.255.0",
```

Use of a virtual template interface with virtual profiles requires a virtual template to be defined specifically for virtual profiles.

To configure virtual profiles by both virtual template interface and AAA configuration, complete the following tasks in any order. All tasks must be completed before virtual profiles are used.

- On the AAA server, create user-specific interface configurations for each of the specific users to use this method. See your AAA server documentation for more detailed configuration information about your AAA server.
- Configure AAA on the router, as described in the *Cisco IOS Security Configuration Guide* publication.
- Creating and configuring a virtual template interface, described later in this chapter.

- Specifying virtual profiles by both virtual templates and AAA, described later in this chapter.

Creating and Configuring a Virtual Template Interface

To create and configure a virtual template interface, use the following commands:

	Command	Purpose
Step 1	Router(config)# interface virtual-template <i>number</i>	Creates a virtual template interface and enters interface configuration mode.
Step 2	Router(config-if)# ip unnumbered ethernet 0	Enables IP without assigning a specific IP address on the LAN.
Step 3	Router(config-if)# encapsulation ppp	Enables PPP encapsulation on the virtual template interface.

Because the software treats a virtual template interface as a serial interface, all the configuration commands that apply to serial interfaces can also be applied to virtual template interfaces, except **shutdown** and **dialer** commands. Other optional PPP configuration commands can also be added to the virtual template configuration. For example, you can add the **ppp authentication chap** command.

Specifying Virtual Profiles by Both Virtual Templates and AAA

To specify both the virtual template interface and the AAA per-user configuration as sources of information for virtual profiles, use the following commands:

	Command	Purpose
Step 1	Router(config)# virtual-profile virtual-template <i>number</i>	Defines the virtual template interface as the source of information for virtual profiles.
Step 2	Router(config)# virtual-profile aaa	Specifies AAA as the source of user-specific configuration for virtual profiles.

If you also want to use per-user configuration for network protocol access lists or route filters for individual users, see the [Configuring per-User Configuration](#) feature.

Troubleshooting Virtual Profile Configurations

To troubleshoot the virtual profiles configurations, use any of the following **debug** commands:

Command	Purpose
Router# debug dialer	Displays information about dial calls and negotiations and virtual profile events.
Router# debug aaa per-user	Displays information about the per-user configuration downloaded from the AAA server.
Router# debug vtemplate cloning	Displays cloning information for a virtual access interface from the time it is cloned from a virtual template to the time it comes down.

Configuration Examples for Virtual Profiles

The following sections provide examples for the four cases described in this chapter:

- [Virtual Profiles Configured by Virtual Templates: Example, page 928](#)
- [Virtual Profiles Configured by AAA Configuration: Example, page 929](#)
- [Virtual Profiles Configured by Virtual Templates and AAA Configuration: Example, page 931](#)
- [Virtual Profiles Configured by AAA Plus a VPDN Virtual Template on a VPDN Home Gateway: Example, page 932](#)

In these examples, BRI 0 is configured for legacy DDR, and interface BRI 1 is configured for dialer profiles. Note that interface dialer 0 is configured for legacy DDR. Interface dialer 1 is a dialer profile.

The intention of the examples is to show how to configure virtual profiles. In addition, the examples show the interoperability of DDR and dialer profiles in the respective cases with various forms of virtual profiles.

The same user names (User1 and User2) occur in all these examples. Note the different configuration allowed to them in each of the four examples.

User1 is a normal user and can dial in to BRI 0 only. User2 is a privileged user who can dial in to BRI 0 and BRI 1. If User2 dials into BRI 1, the dialer profile will be used. If User2 dials into BRI 0, virtual profiles will be used. Because User1 does not have a dialer profile, only virtual profiles can be applied to User1.

To see an example of a configuration using virtual profiles and the Dynamic Multiple Encapsulations feature, see the “Multiple Encapsulations over ISDN” example in the chapter “Configuring Peer-to-Peer DDR with Dialer Profiles.”

Virtual Profiles Configured by Virtual Templates: Example

The following example shows a router configured for virtual profiles by virtual template. (Virtual profiles do not have any interface-specific AAA configuration.) Comments in the example draw attention to specific features or ignored lines.

In this example, the same virtual template interface applies to both users; they have the same interface configurations.

Router Configuration

```
! Enable AAA on the router.
aaa new-model
aaa authentication ppp default radius
! The following command is required.
aaa authorization network radius
enable secret 5 $1$koOn$/1QAylov6JFAE1xRCrL.o/
enable password lab
!
! Specify configuration of virtual profiles by virtual template.
! This is the key command for this example.
virtual-profile virtual-template 1
!
! Define the virtual template.
interface Virtual-Template 1
 ip unnumbered ethernet 0
 encapsulation ppp
 ppp authentication chap
!
```

```

switch-type basic-dms100
interface BRI 0
  description Connected to 103
  encapsulation ppp
  no ip route-cache
  dialer rotary-group 0
  ppp authentication chap
!
interface BRI 1
  description Connected to 104
  encapsulation ppp
! Disable fast switching.
  no ip route-cache
  dialer pool-member 1
  ppp authentication chap
!
! Configure dialer interface 0 for DDR for User1 and User2.
interface dialer 0
  ip address 10.1.1.1 255.255.255.0
  encapsulation ppp
! Enable legacy DDR.
  dialer in-band
! Disable fast switching.
  no ip route-cache
  dialer map ip 10.1.1.2 name User1 1111
  dialer map ip 10.1.1.3 name User2 2222
  dialer-group 1
  ppp authentication chap
!
! Configure dialer interface 1 for DDR to dial out to User2.
interface dialer 1
  ip address 10.2.2.2 255.255.255.0
  encapsulation ppp
  dialer remote-name User2
  dialer string 3333
  dialer pool 1
  dialer-group 1
! Disable fast switching.
  no ip route-cache
  ppp authentication chap
  dialer-list 1 protocol ip permit

```

Virtual Profiles Configured by AAA Configuration: Example

The following example shows the router configuration for virtual profiles by AAA and the AAA server configuration for user-specific interface configurations. User1 and User2 have different IP addresses.

In the AAA configuration cisco-avpair lines, “\n” is used to indicate the start of a new Cisco IOS command line.

AAA Configuration for User1 and User2

```

User1 Password = "welcome"
  User-Service-Type = Framed-User,
  Framed-Protocol = PPP,
  cisco-avpair = "lcp:interface-config=keepalive 75\nip address 192.16.100.100
  255.255.255.0",
User2 Password = "emoclew"
  User-Service-Type = Framed-User,
  Framed-Protocol = PPP,

```

```
cisco-avpair = "lcp:interface-config=keepalive 100\nip address 192.168.200.200
255.255.255.0"
```

Router Configuration

```
! Enable AAA on the router.
aaa new-model
aaa authentication ppp default radius
! This is a key command for this example.
aaa authorization network radius
enable secret 5 $1$koOn$/1QAYlov6JFAElxRCrL.o/
enable password lab
!
! Specify configuration of virtual profiles by aaa.
! This is a key command for this example.
virtual-profiles aaa
!
! Interface BRI 0 is configured for legacy DDR.
interface BRI 0
description Connected to 103
encapsulation ppp
no ip route-cache
dialer rotary-group 0
ppp authentication chap
!
! Interface BRI 1 is configured for dialer profiles.
interface BRI 1
description Connected to 104
encapsulation ppp
! Disable fast switching.
no ip route-cache
dialer pool-member 1
ppp authentication chap
!
! Configure dialer interface 0 for DDR for User1 and User2.
interface dialer 0
ip address 10.1.1.1 255.255.255.0
encapsulation ppp
! Enable legacy DDR.
dialer in-band
! Disable fast switching.
no ip route-cache
dialer map ip 10.1.1.2 name User1 1111
dialer map ip 10.1.1.3 name User2 2222
dialer-group 1
ppp authentication chap
!
! Configure dialer interface 1 for DDR to dial out to User2.
interface dialer 1
ip address 10.2.2.2 255.255.255.0
encapsulation ppp
dialer remote-name User2
dialer string 3333
dialer pool 1
dialer-group 1
! Disable fast switching.
no ip route-cache
ppp authentication chap
dialer-list 1 protocol ip permit
```

Virtual Profiles Configured by Virtual Templates and AAA Configuration: Example

The following example shows how virtual profiles can be configured by both virtual templates and AAA configuration. User1 and User2 can dial in from anywhere and have their same keepalive settings and their own IP addresses.

The remaining AV pair settings are not used by virtual profiles. They are the network protocol access lists and route filters used by AAA-based per-user configuration.

In the AAA configuration cisco-avpair lines, “\n” is used to indicate the start of a new Cisco IOS command line.

AAA Configuration for User1 and User2

```
User1 Password = "welcome"
  User-Service-Type = Framed-User,
  Framed-Protocol = PPP,
  cisco-avpair = "lcp:interface-config=keepalive 75\nip address 10.16.100.100
255.255.255.0",
  cisco-avpair = "ip:rte-fltr-out#0=router igrp 60",
  cisco-avpair = "ip:rte-fltr-out#3=deny 172.16.0.0 0.255.255.255",
  cisco-avpair = "ip:rte-fltr-out#4=deny 172.17.0.0 0.255.255.255",
  cisco-avpair = "ip:rte-fltr-out#5=permit any"
User2 Password = "emoclew"
  User-Service-Type = Framed-User,
  Framed-Protocol = PPP,
  cisco-avpair = "lcp:interface-config=keepalive 100\nip address 192.168.200.200
255.255.255.0",
  cisco-avpair = "ip:inacl#3=permit ip any any precedence immediate",
  cisco-avpair = "ip:inacl#4=deny igrp 10.0.1.2 255.255.0.0 any",
  cisco-avpair = "ip:outacl#2=permit ip any any precedence immediate",
  cisco-avpair = "ip:outacl#3=deny igrp 10.0.9.10 255.255.0.0 any"
```

Router Configuration

```
! Enable AAA on the router.
aaa new-model
aaa authentication ppp default radius
! This is a key command for this example.
aaa authorization network radius
enable secret 5 $1$koOn$/1QAYlov6JFAElxRCrL.o/
enable password lab
!
! Specify use of virtual profiles and a virtual template.
! The following two commands are key for this example.
virtual-profile virtual-template 1
virtual-profile aaa
!
! Define the virtual template.
interface Virtual-Template 1
 ip unnumbered ethernet 0
 encapsulation ppp
 ppp authentication chap
!
! Interface BRI 0 is configured for legacy DDR.
interface BRI 0
 description Connected to 103
 encapsulation ppp
 no ip route-cache
 dialer rotary-group 0
 ppp authentication chap
```

```

!
! Interface BRI 1 is configured for dialer profiles.
interface BRI 1
  description Connected to 104
  encapsulation ppp
! Disable fast switching.
no ip route-cache
dialer pool-member 1
ppp authentication chap
!
! Configure dialer interface 0 for DDR to dial out to User1 and User2.
interface dialer 0
  ip address 10.1.1.1 255.255.255.0
  encapsulation ppp
  dialer in-band
! Disable fast switching.
no ip route-cache
dialer map ip 10.1.1.2 name User1 1111
dialer map ip 10.1.1.3 name User2 2222
dialer-group 1
ppp authentication chap
!
! Configure dialer interface 0 for DDR to dial out to User2.
interface dialer 1
  ip address 10.2.2.2 255.255.255.0
  encapsulation ppp
  dialer remote-name User2
  dialer string 3333
  dialer pool 1
  dialer-group 1
! Disable fast switching.
no ip route-cache
ppp authentication chap
!
dialer-list 1 protocol ip permit

```

Virtual Profiles Configured by AAA Plus a VPDN Virtual Template on a VPDN Home Gateway: Example

Like the virtual profiles configured by AAA example earlier in this section, the following example shows the router configuration for virtual profiles by AAA. The user file on the AAA server also includes interface configuration for User1 and User2, the two users. Specifically, User1 and User2 each have their own IP addresses when they are in privileged mode.

In this case, however, the router is also configured as the VPDN home gateway. It clones the VPDN virtual template interface first and then clones the virtual profiles AAA interface configuration. If per-user configuration were configured on this router and the user file on the AAA server had network protocol information for the two users, that information would be applied to the virtual access interface last.

In the AAA configuration cisco-avpair lines, “\n” is used to indicate the start of a new Cisco IOS command line.

AAA Configuration for User1 and User2

```

User1 Password = "welcome"
User-Service-Type = Framed-User,
Framed-Protocol = PPP,
cisco-avpair = "lcp:interface-config=keepalive 75\nip address 10.100.100.100
255.255.255.0",

```



```
User2 Password = "emoclew"  
User-Service-Type = Framed-User,  
Framed-Protocol = PPP,  
cisco-avpair = "lcp:interface-config=keepalive 100\nip address 192.168.200.200  
255.255.255.0"
```

Router Configuration

```
!Configure the router as the VPDN home gateway.  
!  
!Enable VPDN and specify the VPDN virtual template to use on incoming calls from the  
!network access server.  
vpdn enable  
vpdn incoming dallas_wan go_blue virtual-template 6  
!  
!Configure the virtual template interface for VPDN.  
interface virtual template 6  
ip unnumbered ethernet 0  
encapsulation ppp  
ppp authentication chap  
!  
!Enable AAA on the router.  
aaa new-model  
aaa authentication ppp default radius  
aaa authorization network radius  
enable secret 5 $1$koOn$/1QAYlov6JFAElxRCrL.o/  
enable password lab  
!  
!Specify configuration of virtual profiles by aaa.  
virtual-profiles aaa  
!  
!Configure the physical synchronous serial 0 interface.  
interface Serial 0  
description Connected to 101  
encapsulation ppp  
!Disable fast switching.  
no ip route-cache  
ppp authentication chap  
!  
!Configure serial interface 1 for DDR. S1 uses dialer rotary group 0, which is  
!defined on BRI interface 0.  
interface serial 1  
description Connected to 102  
encapsulation ppp  
dialer in-band  
! Disable fast switching.  
no ip route-cache  
dialer rotary-group 0  
ppp authentication chap  
!  
interface BRI 0  
description Connected to 103  
encapsulation ppp  
no ip route-cache  
dialer rotary-group 0  
ppp authentication chap  
!  
interface BRI 1  
description Connected to 104  
encapsulation ppp  
!Disable fast switching.  
no ip route-cache  
dialer pool-member 1  
ppp authentication chap
```

```

!
!Configure dialer interface 0 for DDR to call and receive calls from User1 and User2.
interface dialer 0
 ip address 10.1.1.1 255.255.255.0
 encapsulation ppp
!Enable legacy DDR.
 dialer in-band
!Disable fast switching.
 no ip route-cache
 dialer map ip 10.1.1.2 name User1 1111
 dialer map ip 10.1.1.3 name User2 2222
 dialer-group 1
 ppp authentication chap
!
!Configure dialer interface 1 for DDR to dial out to User2.
interface dialer 1
 ip address 10.2.2.2 255.255.255.0
 encapsulation ppp
 dialer remote-name User2
 dialer string 3333
 dialer pool 1
 dialer-group 1
!Disable fast switching.
 no ip route-cache
 ppp authentication chap
 dialer-list 1 protocol ip permit

```

Additional References

The following sections provide references related to configuring virtual profiles.

Related Documents

Related Topic	Document Title
Cisco IOS commands	Cisco IOS Master Commands List, All Releases
Dial commands	Cisco IOS Dial Command Reference

Standards

Standard	Title
None	—

MIBs

MIB	MIBs Link
None	To locate and download MIBs for selected platforms, Cisco IOS releases, and feature sets, use Cisco MIB Locator found at the following URL: http://www.cisco.com/go/mibs

RFCs

RFC	Title
None	—

Technical Assistance

Description	Link
<p>The Cisco Support website provides extensive online resources, including documentation and tools for troubleshooting and resolving technical issues with Cisco products and technologies.</p> <p>To receive security and technical information about your products, you can subscribe to various services, such as the Product Alert Tool (accessed from Field Notices), the Cisco Technical Services Newsletter, and Really Simple Syndication (RSS) Feeds.</p> <p>Access to most tools on the Cisco Support website requires a Cisco.com user ID and password.</p>	http://www.cisco.com/cisco/web/support/index.html

Feature Information for Configuring Virtual Profiles

Table 2 lists the features in this module and provides links to specific configuration information.

Not all commands may be available in your Cisco IOS software release. For release information about a specific command, see the command reference documentation.

Use Cisco Feature Navigator to find information about platform support and software image support. Cisco Feature Navigator enables you to determine which Cisco IOS and Catalyst OS software images support a specific software release, feature set, or platform. To access Cisco Feature Navigator, go to <http://www.cisco.com/go/cfn>. An account on Cisco.com is not required.


Note

Table 2 lists only the Cisco IOS software release that introduced support for a given feature in a given Cisco IOS software release train. Unless noted otherwise, subsequent releases of that Cisco IOS software release train also support that feature.

Table 2 Feature Information for Configuring Virtual Profiles

Feature Name	Releases	Feature Information
Configuring Virtual Profiles	11.3	A virtual profile is a unique application that can create and configure a virtual access interface dynamically when a dial-in call is received and that can tear down the interface dynamically when the call ends.

Cisco and the Cisco Logo are trademarks of Cisco Systems, Inc. and/or its affiliates in the U.S. and other countries. A listing of Cisco's trademarks can be found at www.cisco.com/go/trademarks. Third party trademarks mentioned are the property of their respective owners. The use of the word partner does not imply a partnership relationship between Cisco and any other company. (1005R)

Any Internet Protocol (IP) addresses and phone numbers used in this document are not intended to be actual addresses and phone numbers. Any examples, command display output, network topology diagrams, and other figures included in the document are shown for illustrative purposes only. Any use of actual IP addresses or phone numbers in illustrative content is unintentional and coincidental.

© 1997–2010 Cisco Systems, Inc. All rights reserved.



PPP Configuration



Configuring Asynchronous SLIP and PPP

This chapter describes how to configure asynchronous Serial Line Internet Protocol (SLIP) and PPP. It includes the following main sections:

- [Asynchronous SLIP and PPP Overview](#)
- [How to Configure Asynchronous SLIP and PPP](#)
- [Configuration Examples for Asynchronous SLIP and PPP](#)

To identify the hardware platform or software image information associated with a feature, use the Feature Navigator on Cisco.com to search for information about the feature or refer to the software release notes for a specific release. For more information, see the “Identifying Supported Platforms” section in the “Using Cisco IOS Software” chapter.

For a complete description of the commands in this chapter, refer to the [Cisco IOS Dial Technologies Command Reference](#). To locate documentation of other commands that appear in this chapter, use the command reference master index or search online.

Asynchronous SLIP and PPP Overview

PPP and SLIP define methods of sending IP packets over standard asynchronous serial lines with minimum line speeds of 1200 baud.

Using SLIP or PPP encapsulation over asynchronous lines is an inexpensive way to connect personal computers (PCs) to a network. PPP and SLIP over asynchronous dialup modems allow a home computer to be connected to a network without the cost of a leased line. Dialup PPP and SLIP links can also be used for remote sites that need only occasional remote node or backup connectivity. Both public-domain and vendor-supported PPP and SLIP implementations are available for a variety of computer applications.

The Cisco IOS software concentrates a large number of SLIP or PPP PC or workstation client hosts onto a network interface that allows the PCs to communicate with any host on the network. The Cisco IOS software can support any combination of SLIP or PPP lines and lines dedicated to normal asynchronous devices such as terminals and modems. Refer to RFC 1055 for more information about SLIP, and RFCs 1331 and 1332 for more information about PPP.

SLIP is an older protocol. PPP is a newer, more robust protocol than SLIP, and it contains functions that can detect or prevent misconfiguration. PPP also provides greater built-in security mechanisms.

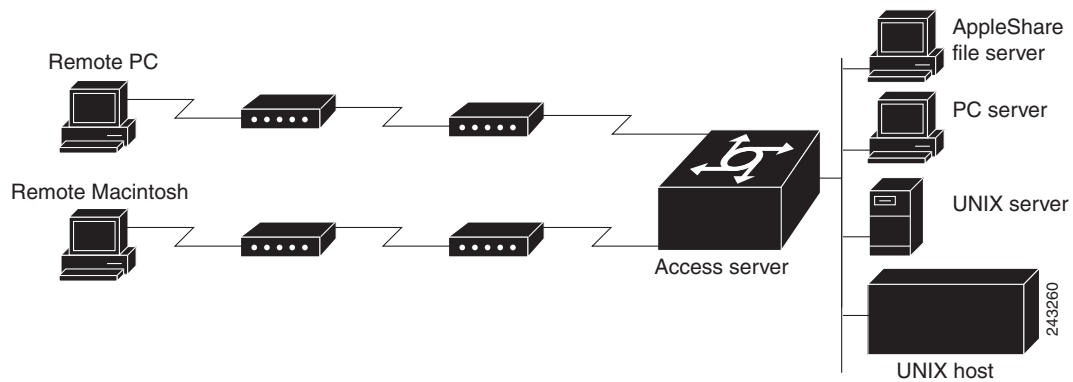


**Note**

Most asynchronous serial links have very low bandwidth. Take care to configure your system so the links will not be overloaded. Consider using default routes and filtering routing updates to prevent them from being sent on these asynchronous lines.

Figure 1 illustrates a typical asynchronous SLIP or PPP remote-node configuration.

Figure 1 Sample SLIP or PPP Remote-Node Configuration



Responding to BOOTP Requests

The BOOTP protocol allows a client machine to discover its own IP address, the address of the router, and the name of a file to be loaded in to memory and executed. There are typically two phases to using BOOTP: first, the client's address is determined and the boot file is selected; then the file is transferred, typically using the TFTP.

PPP and SLIP clients can send BOOTP requests to the Cisco IOS software, and the Cisco IOS software responds with information about the network. For example, the client can send a BOOTP request to learn its IP address and where the boot file is located, and the Cisco IOS software responds with the information.

BOOTP supports the extended BOOTP requests specified in RFC 1084 and works for both PPP and SLIP encapsulation.

BOOTP compares to Reverse Address Resolution Protocol (RARP) as follows: RARP is an older protocol that allows a client to determine its IP address if it knows its hardware address. (Refer to the *Cisco IOS IP Configuration Guide* for more information about RARP.) However, RARP is a hardware link protocol, so it can be implemented only on hosts that have special kernel or driver modifications that allow access to these raw packets. BOOTP does not require kernel modifications.

Asynchronous Network Connections and Routing

Line configuration commands configure a connection to a terminal or a modem. Interface configuration (**async**) commands, described in this chapter, configure a line as an asynchronous network interface over which networking functions are performed.

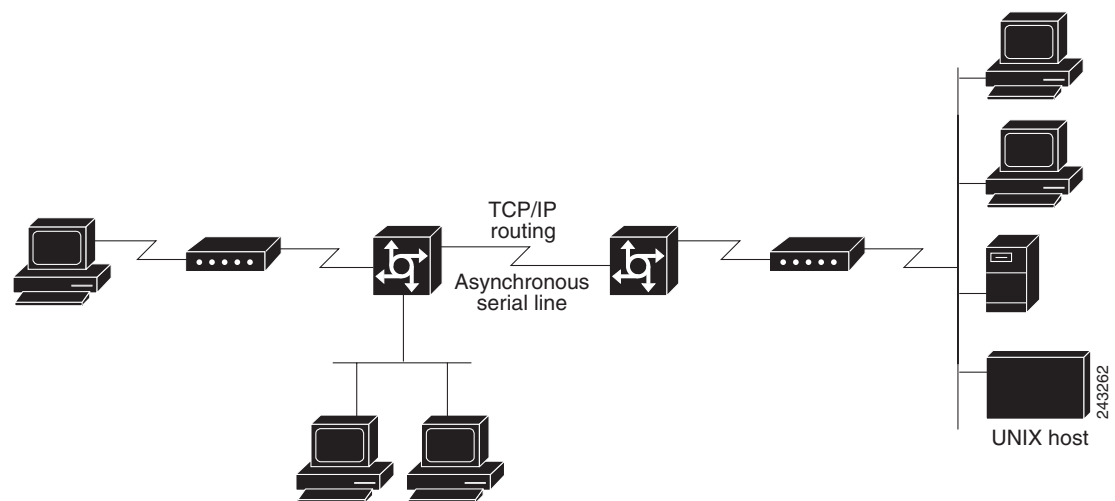
The Cisco IOS software also supports IP routing connections for communication that requires connecting one network to another.

The Cisco IOS software supports protocol translation for PPP and SLIP between other network devices running Telnet, local-area transport (LAT), or X.25. For example, you can send IP packets across a public X.25 packet assembler/disassembler (PAD) network using SLIP or PPP encapsulation when SLIP or PPP protocol translation is enabled. For more information, see the chapter “Configuring Protocol Translation and Virtual Asynchronous Devices” in this publication.

If asynchronous dynamic routing is enabled, you can enable routing at the user level by using the **routing** keyword with the **slip** or **ppp EXEC** command.

Asynchronous interfaces offer both dedicated and dynamic address assignment, configurable hold queues and IP packet sizes, extended BOOTP requests, and permit and deny conditions for controlling access to lines. [Figure 2](#) shows a sample asynchronous routing configuration.

Figure 2 **Sample Asynchronous Routing Configuration**



Asynchronous Interfaces and Broadcasts

The Cisco IOS software recognizes a variety of IP broadcast addresses. When a router receives an IP packet from an asynchronous client, it rebroadcasts the packet onto the network without changing the IP header.

The Cisco IOS software receives the SLIP or PPP client broadcasts and responds to BOOTP requests with the current IP address assigned to the asynchronous interface from which the request was received. This facility allows the asynchronous client software to automatically learn its own IP address.

How to Configure Asynchronous SLIP and PPP

To configure SLIP and PPP, perform the tasks in the following sections; all tasks are optional:

- [Configuring Network-Layer Protocols over PPP and SLIP](#) (Optional)
- [Configuring Asynchronous Host Mobility](#) (Optional)
- [Making Additional Remote Node Connections](#) (Optional)
- [Configuring Remote Access to NetBEUI Services](#) (Optional)

- [Configuring Performance Parameters](#) (Optional)

Configuring Network-Layer Protocols over PPP and SLIP

You can configure network-layer protocols, such as AppleTalk, IP, and Internet Protocol Exchange (IPX), over PPP and SLIP. SLIP supports only IP, but PPP supports each of these protocols. See the sections that follow to configure these protocols over PPP and SLIP.

Configuring IP and PPP

To enable IP-PPP (IPCP) on a synchronous or asynchronous interface, use the following commands in interface configuration mode:

	Command	Purpose
Step 1	Router(config-if)# ip address <i>ip-address mask</i> [secondary]	Configures IP routing on the interface.
	or	
	Router(config-if)# ip unnumbered <i>type number</i>	Configures IP unnumbered routing on a serial interface.
Step 2	Router(config-if)# encapsulation ppp	Enables PPP encapsulation on the serial interface.
Step 3	Router(config-if)# async mode interactive	Enables interactive mode on an asynchronous interface.

Configuring IPX and PPP

You can configure IPX over PPP (IPXCP) on synchronous serial and asynchronous serial interfaces using one of two methods.

The first method associates an asynchronous interface with a loopback interface configured to run IPX. It permits you to configure IPX-PPP on asynchronous interfaces only.

The second method permits you to configure IPX-PPP on asynchronous and synchronous serial interfaces. However, it requires that you specify a dedicated IPX network number for each interface, which can require a substantial number of network numbers for a large number of interfaces.

You can also configure IPX to run on virtual terminal lines configured for PPP. See the section “[Enabling IPX and PPP over X.25 to an IPX Network on Virtual Terminal Lines](#)” later in this chapter.



Note

If you are configuring IPX-PPP on asynchronous interfaces, you should filter routing updates on the interface. Most asynchronous serial links have very low bandwidth, and routing updates take up a great deal of bandwidth. The previous task table uses the **ipx update interval** command to filter SAP updates. For more information about filtering routing updates, see the section about creating filters for updating the routing table in the chapter “Configuring Novell IPX” in the *Cisco IOS AppleTalk and Novell IPX Configuration Guide*.

IPX and PPP and Associating Asynchronous Interfaces with Loopback Interfaces

To permit IPX client connections to an asynchronous interface, the interface must be associated with a loopback interface configured to run IPX. To permit such connections, use the following commands beginning in global configuration mode:

	Command	Purpose
Step 1	Router(config)# ipx routing [node]	Enables IPX routing.
Step 2	Router(config)# interface loopback number	Creates a loopback interface, which is a virtual interface existing only inside the router, and begins interface configuration mode.
Step 3	Router(config-if)# ipx network network ¹	Enables IPX routing on the loopback interface.
Step 4	Router(config-if)# exit	Exits to global configuration mode.
Step 5	Router(config)# interface async number	Enters interface configuration mode for the asynchronous interface.
Step 6	Router(config-if)# ip unnumbered type number	Configures IP unnumbered routing on the interface.
Step 7	Router(config-if)# encapsulation ppp	Enables PPP encapsulation on the interface.
Step 8	Router(config-if)# async mode interactive	Enables interactive mode on an asynchronous interface.
Step 9	Router(config-if)# ipx ppp-client loopback number	Assigns the asynchronous interface to the loopback interface configured for IPX.
Step 10	Router(config-if)# ipx update interval	Turns off Service Advertising Protocol (SAP) updates to optimize bandwidth on asynchronous interfaces.

1. Every interface must have a unique IPX network number.

IPX and PPP Using Dedicated IPX Network Numbers for Each Interface

To enable IPX and PPP, use the following commands beginning in global configuration mode. The first five steps are required. The last step is optional.

	Command	Purpose
Step 1	Router(config)# ipx routing [node]	Enables IPX routing.
Step 2	Router(config)# interface loopback number	Creates a loopback interface, which is a virtual interface existing only inside the router, and begins interface configuration mode.
Step 3	Router(config-if)# encapsulation ppp	Enables PPP encapsulation on the interface.
Step 4	Router(config-if)# async mode interactive	Enables interactive mode on an asynchronous interface.
Step 5	Router(config-if)# ipx network network ¹	Enables IPX routing on the interface.
Step 6	Router(config-if)# ipx update interval	(Optional) Turns off SAP updates to optimize bandwidth on asynchronous interfaces.

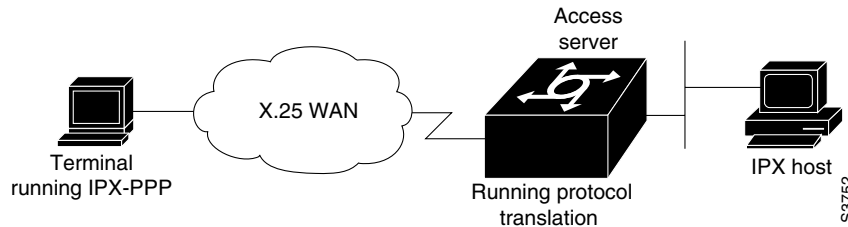
1. Every interface must have a unique IPX network number.

Enabling IPX and PPP over X.25 to an IPX Network on Virtual Terminal Lines

You can enable IPX-PPP on virtual terminal lines, which permits clients to log in to a virtual terminal on a router, invoke a PPP session at the EXEC prompt to a host, and run IPX to the host.

For example, in [Figure 3](#), the client terminal on the X.25 network logs in to the access server via a virtual terminal line, which is configured for IPX-PPP. When the user connects to the access server and the EXEC prompt appears, enter the PPP command to connect to the IPX host. The virtual terminal is configured to run IPX, so when the PPP session is established from the access server, the terminal can access the IPX host using an IPX application.

Figure 3 IPX-PPP on a Virtual Asynchronous Interface



To enable IPX to run over your PPP sessions on virtual terminal lines, use the following commands beginning in global configuration mode:

	Command	Purpose
Step 1	Router(config)# ipx routing [node]	Enables IPX routing.
Step 2	Router(config)# interface loopback number	Creates a loopback interface and begins interface configuration mode.
Step 3	Router(config-if)# ipx network network ¹	Enables a virtual IPX network on the loopback interface.
Step 4	Router(config-if)# vtty-async ipx ppp-client loopback number	Enables IPX-PPP on virtual terminal lines by assigning it to the loopback interface configured for IPX.

1. Every loopback interface must have a unique IPX network number.

Configuring AppleTalk and PPP

You can configure an asynchronous interface so that users can access AppleTalk zones by dialing in to the router via PPP through this interface. Users accessing the network can run AppleTalk and IP natively on a remote Macintosh, access any available AppleTalk zones from Chooser, use networked peripherals, and share files with other Macintosh users. This feature is referred to as AppleTalk Control Protocol (ATCP).

You create a virtual network that exists only for accessing an AppleTalk internet through the server. To create a new AppleTalk zone, enter the **appletalk virtual-net** command and use a new zone name; this network number is then the only one associated with this zone. To add network numbers to an existing AppleTalk zone, use this existing zone name in the command; this network number is then added to the existing zone. Routing is not supported on these interfaces.

To enable ATCP for PPP, use the following commands in interface configuration (asynchronous) mode:

	Command	Purpose
Step 1	Router(config-if)# encapsulation ppp	Defines encapsulation as PPP on this interface.
Step 2	Router(config-if)# appletalk virtual-net network-number zone-name	Creates an internal network on the server.
Step 3	Router(config-if)# appletalk client-mode	Enables client-mode on this interface.

Configuring IP and SLIP

To enable IP-SLIP on a synchronous or asynchronous interface, use the following commands in interface configuration mode:

	Command	Purpose
Step 1	Router(config-if)# ip address <i>ip-address mask</i>	Configures IP routing on the interface.
	or Router(config-if)# ip unnumbered <i>type number</i>	Configures IP unnumbered routing on a serial interface.
Step 2	Router(config-if)# encapsulation slip	Enables SLIP encapsulation on the serial interface.
Step 3	Router(config-if)# async mode interactive	Enables interactive mode on an asynchronous interface.

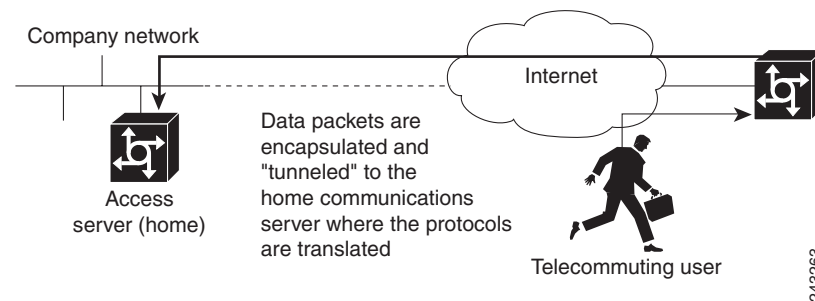
Configuring Asynchronous Host Mobility

The access server supports a packet tunneling strategy that extends the internetwork—in effect creating a virtual private link for the mobile user. When a user activates asynchronous host mobility, the access server on which the remote user dials in becomes a remote point of presence (POP) for the home network of the user. Once logged in, users experience a server environment identical to the one that they experience when they connect directly to the “home” access server.

Once the network-layer connection is made, data packets are tunneled at the physical or data link layer instead of at the protocol layer. In this way, raw data bytes from dial-in users are transported directly to the “home” access server, which processes the protocols.

Figure 4 illustrates the implementation of asynchronous host mobility on an extended internetwork. A mobile user connects to an access server on the internetwork and, by activating asynchronous host mobility, is connected to a “home” access server configured with the appropriate username. The user sees an authentication dialog or prompt from the “home” system and can proceed as if he or she were connected directly to that device.

Figure 4 Asynchronous Host Mobility



Asynchronous host mobility is enabled with the **tunnel EXEC** command and the **ip tcp async-mobility server** global configuration command. The **ip tcp async-mobility server** command establishes asynchronous listening on TCP tunnel port 57. The **tunnel** command sets up a network-layer connection to the specified destination. Both commands must be used. The access server accepts the connection, attaches it to a virtual terminal line, and runs a command parser capable of running the normal dial-in services. After the connection is established, data is transferred between the modem and network connection with a minimum of interpretations. When communications are complete, the network connection can be closed and terminated from either end.

To enable asynchronous host mobility, use the following commands beginning in global configuration mode:

	Command	Purpose
Step 1	Router(config)# ip tcp async-mobility server	Enables asynchronous listening on TCP tunnel port 57.
Step 2	Router(config)# exit	Returns to user EXEC mode.
Step 3	Router# tunnel host	Sets up a network-layer connection to a router by specifying its Internet name or address. Replace the <i>host</i> argument with the name or address of the device that you want to connect to.

To connect from a router other than a Cisco router, you must use Telnet. After a connection is established, you receive an authentication dialog or prompt from your home router, and can proceed as if you are connected directly to that router. When communications are complete, the network connection can be closed and terminated from either end of the connection.

Making Additional Remote Node Connections

This section describes how to connect devices across telephone lines by using PPP and SLIP. It includes the following sections:

- [Creating PPP Connections](#)
- [Making SLIP Connections](#)

Creating PPP Connections

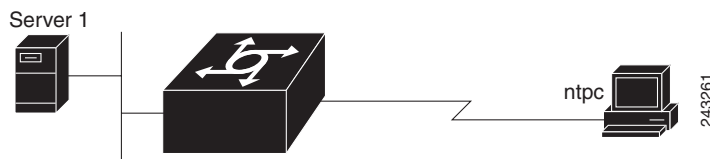
When you connect from a remote node computer through an asynchronous port on an access server to the EXEC facility to connect from the access server to a device on the network, use the following command in EXEC mode:

Command	Purpose
Router> ppp {/default {remote-ip-address remote-name} [@tacacs-server]} [/routing]	Creates a PPP connection.

If you specify an address for the TACACS server using **/default** or *tacacs-server*, the address must be the first parameter in the command after you type **ppp**. If you do not specify an address or enter **/default**, you are prompted for an IP address or host name. You can enter **/default** at this point.

For example, if you are working at home on the device named *ntpc* in [Figure 5](#) and want to connect to Server 1 using PPP, you could dial in to the access server. When you connect to the EXEC prompt on the access server, enter the **ppp** command to connect with the device.

Figure 5 Using the *ppp* Command



To terminate a session, disconnect from the device on the network using the command specific to that device. Then, exit from EXEC mode by using the **exit** command.

Making SLIP Connections

To make a serial connection to a remote host by using SLIP, use the following command in EXEC mode:

Command	Purpose
Router> slip [/default] {remote-ip-address remote-name} [@tacacs-server] [/routing]} [/compressed]	Creates a SLIP connection.

Your system administrator can configure SLIP to expect a specific address or to provide one for you. It is also possible to set up SLIP in a mode that compresses packets for more efficient use of bandwidth on the line.

If you specify an address for the TACACS server using **/default** or *tacacs-server*, the address must be the first parameter in the command after you type **slip**. If you do not specify an address or enter **/default**, you are prompted for an IP address or host name. You can enter **/default** at this point.

If you do not use the *tacacs-server* argument to specify a TACACS server for SLIP address authentication, the TACACS server specified at login (if any) is used for the SLIP address query.

To optimize bandwidth on a line, SLIP enables compression of the SLIP packets using Van Jacobson TCP header compression as defined in RFC 1144.

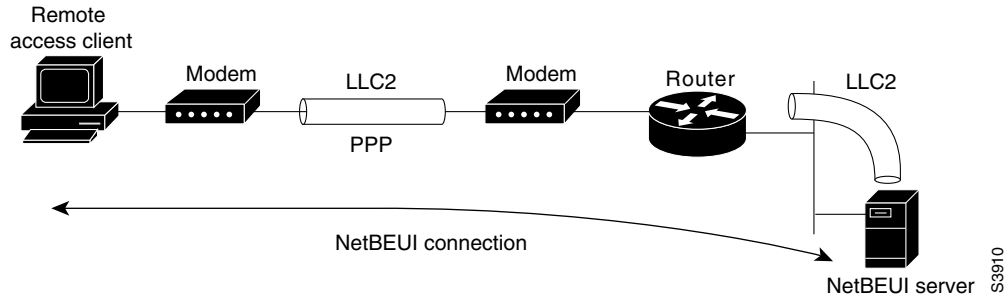
To terminate a session, disconnect from the device on the network using the command specific to that device. Then, exit from EXEC mode by using the **exit** command.

Configuring Remote Access to NetBEUI Services

NetBIOS Extended User Interface (NetBEUI) is a simple networking protocol developed by IBM for use by PCs in a LAN environment. It is an extension of the original Network Basic Input/Output System (NetBIOS) from IBM. NetBEUI uses a broadcast-based name to 802.x address translation mechanism. Because NetBEUI has no network layer, it is a nonroutable protocol.

The NetBIOS Frames Control Protocol (NBFCP) enables packets from a NetBEUI application to be transferred via a PPP connection. NetBEUI/PPP is supported in the access server and Cisco enterprise images only.

Using the Cisco IOS implementation, remote NetBEUI users can have access to LAN-based NetBEUI services. The PPP link becomes the ramp for the remote node to access NetBIOS services on the LAN. (See [Figure 6](#).) An Logical Link Control, type 2 (LLC2) connection is set up between the remote access client and router, and a second LLC2 connection is set up between the router and the remote access (NetBEUI) server.

Figure 6 NetBEUI Connection

By supporting NetBEUI remote clients over PPP, Cisco routers function as a native NetBEUI dial-in router for remote NetBEUI clients. Thus, you can offer remote access to a NetBEUI network through asynchronous or ISDN connections.

To enable a remote access client using a NetBEUI application to connect with the remote router providing NetBEUI services, configure interfaces on the remote access client side and the remote router side by using the following command in interface configuration mode:

Command	Purpose
Router(config-if)# netbios nbf	Enables NBF on each side of a NetBEUI connection.

To view NetBEUI connection information, use the following command in EXEC mode:

Command	Purpose
Router> show nbf sessions	Views NetBEUI connection information.

Configuring Performance Parameters

To tune IP performance, complete the tasks in the following sections:

- [Compressing TCP Packet Headers](#) (As required)
- [Setting the TCP Connection Attempt Time](#) (As required)
- [Compressing IPX Packet Headers over PPP](#) (As required)
- [Enabling Fast Switching](#) (As required)
- [Controlling Route Cache Invalidation](#) (As required)
- [Customizing SLIP and PPP Banner Messages](#) (As required)

Compressing TCP Packet Headers

You can compress the headers of your TCP/IP packets to reduce their size and thereby increase performance. Header compression is particularly useful on networks with a large percentage of small packets, such as those supporting many Telnet connections. This feature compresses only the TCP

header, so it has no effect on UDP packets or other protocol headers. The TCP header compression technique, described fully in RFC 1144, is supported on serial lines using High-Level Data Link Control (HDLC) or PPP encapsulation. You must enable compression on both ends of a serial connection.

You can optionally specify outgoing packets to be compressed only when TCP incoming packets on the same interface are compressed. If you do not specify this option, the Cisco IOS software will compress all traffic. The default is no compression.

You can also specify the total number of header compression connections that can exist on an interface. You should configure one connection for each TCP connection through the specified interface.

To enable compression, use the following commands in interface configuration mode:

	Command	Purpose
Step 1	Router(config-if)# ip tcp header-compression [passive]	Enables TCP header compression.
Step 2	Router(config-if)# ip tcp compression-connections <i>number</i>	Specifies the total number of header compression connections that can exist on an interface.



Note

When compression is enabled, fast switching is disabled. Fast processors can handle several fast interfaces, such as T1 lines, that are running header compression. However, you should think carefully about traffic characteristics in your network before compressing TCP headers. You might want to use the monitoring commands to help compare network utilization before and after enabling header compression.

Setting the TCP Connection Attempt Time

You can set the amount of time that the Cisco IOS software will wait to attempt to establish a TCP connection. In previous versions of the Cisco IOS software, the system would wait a fixed 30 seconds when attempting to make the connection. This amount of time is not enough in networks that have dialup asynchronous connections, such as a network consisting of dial-on-demand links that are implemented over modems, because it will affect your ability to use Telnet over the link (from the router) if the link must be brought up.

Because the connection attempt time is a host parameter, it does not pertain to traffic going through the router, just to traffic originated at it.

To set the TCP connection attempt time, use the following command in global configuration mode:

Command	Purpose
Router(config)# ip tcp synwait-time <i>seconds</i>	Sets the amount of time for which the Cisco IOS software will wait to attempt to establish a TCP connection.

Compressing IPX Packet Headers over PPP

The Cisco IOS software permits compression of IPX packet headers over various WAN media. There are two protocols for IPX compression on point-to-point links:

- CIPX, also known as Telebit style compression
- Shiva compression, which is proprietary

Cisco routers support IPX Header Compression (CIPX) on all point-to-point Novell interfaces over various WAN media.

CIPX is described in RFC 1553, *Compressing IPX Headers Over WAN Media*. The CIPX algorithm is based on the same concepts as Van Jacobson TCP/IP header compression algorithm. CIPX operates over PPP WAN links using either the IPXCP or IPXWAN communications protocols.

CIPX compresses all IPX headers and IPX/NCP headers for Novell packets with the following Network Control Program (NCP) packet types:

- 0x2222—NCP request from workstation
- 0x3333—NCP replies from file server

In this version of software, CIPX is configurable only for PPP links.

CIPX header compression can reduce header information from 30 bytes down to as little as 1 byte. This reduction can save bandwidth and reduce costs associated with IPX routing over WAN links that are configured to use IPXCP or IPXWAN.

Consider the following issues before implementing CIPX:

- CIPX is supported on all point-to-point IPX interfaces using PPP or IPXWAN processing (or both).
- CIPX needs to be negotiated for both directions of the link, because it uses the reverse direction of the link for communicating decompression problems back to the originating peer. In other words, all peer routers must have CIPX enabled.

To configure CIPX, use the following command in global configuration mode:

Command	Purpose
Router(config)# ipx compression cipx <i>number-of-slots</i>	Compresses IPX packet headers in a PPP session.



Note

We recommend that you keep a slot value of 16. Because slots are maintained in the router buffer, a larger number can impact buffer space for other operations.

Enabling Fast Switching

Fast switching involves the use of a high-speed switching cache for IP routing. With fast switching, destination IP addresses are stored in the high-speed cache so that some time-consuming table lookups can be avoided. The Cisco IOS software generally offers better packet transfer performance when fast switching is enabled.

To enable or disable fast switching, use the following commands in interface configuration mode:

	Command	Purpose
Step 1	Router(config-if)# ip route-cache	Enables fast-switching (use of a high-speed route cache for IP routing).
Step 2	Router(config-if)# no ip route-cache	Disables fast switching and enables load balancing on a per-packet basis.

Controlling Route Cache Invalidation

The high-speed route cache used by IP fast switching is invalidated when the IP routing table changes. By default, the invalidation of the cache is delayed slightly to avoid excessive CPU load while the routing table is changing.

To control route cache invalidation, use the following commands in global configuration mode as needed for your network:



Note

This task normally should not be necessary. It should be performed only under the guidance of technical staff. Incorrect configuration can seriously degrade the performance of your router.

	Command	Purpose
Step 1	Router(config)# no ip cache-invalidate-delay	Allows immediate invalidation of the cache.
Step 2	Router(config)# ip cache-invalidate-delay [minimum maximum quiet-threshold]	Delays invalidation of the cache.

Customizing SLIP and PPP Banner Messages

This feature enables you to customize the banner that is displayed when making a SLIP or PPP connection to avoid connectivity problems the default banner message causes in some non-Cisco SLIP and PPP dialup software. This feature is particularly useful when legacy client applications require a specialized connection string.

To configure the SLIP-PPP banner message, use the following command in global configuration mode:

Command	Purpose
Router(config)# banner slip-ppp d message d	Configures the SLIP-PPP banner to display a customized message.

You can also use tokens in the banner message to display current IOS configuration variables. Tokens are keywords of the form $\$(token)$. When you include tokens in a banner command, Cisco IOS will replace $\$(token)$ with the corresponding configuration variable.

Table 1 lists the tokens that you can use in the **banner slip-ppp** command.

Table 1 SLIP Banner Tokens

Tokens	Information Displayed in Banner
Global	
$\$(hostname)$	Hostname of the router
$\$(domain)$	Domain name of the router
Slip/PPP Banner-Specific	
$\$(peer-ip)$	IP address of the peer machine
$\$(gate-ip)$	IP address of the gateway machine
$\$(encap)$	Encapsulation type (SLIP, PPP, and so on)

Table 1 SLIP Banner Tokens (continued)

<code>\$(encap-alt)</code>	Encapsulation type displayed as SL/IP instead of SLIP
<code>\$(mtu)</code>	MTU size

Configuration Examples for Asynchronous SLIP and PPP

This section provides the following examples:

- [Basic PPP Configurations Examples](#)
- [Remote Node NetBEUI Examples](#)
- [Remote Network Access Using PPP Basic Configuration Example](#)
- [Remote Network Access Using PPP and Routing IP Example](#)
- [Remote Network Access Using a Leased Line with Dial-Backup and PPP Example](#)
- [Multilink PPP Using Multiple Asynchronous Interfaces Example](#)

Basic PPP Configurations Examples

The following example illustrates how to make a connection when the system administrator defines a default IP address by including the **peer default ip address** command in interface configuration mode.



Note

The **peer default ip address** command replaces the **async default ip address** command.

Once a correct password is entered, you are placed in SLIP mode, and the IP address appears:

```
Router> slip
Password:
Entering SLIP mode.
Your IP address is 192.168.7.28, MTU is 1524 bytes
```

The following example shows the prompts displayed and the response required when dynamic addressing is used to assign the SLIP address:

```
Router> slip
IP address or hostname? 192.168.6.15
Password:
Entering SLIP mode
Your IP address is 192.168.6.15, MTU is 1524 bytes
```

In the previous example, the address 192.168.6.15 had been assigned as the default. Password verification is still required before SLIP mode can be enabled, as follows:

```
Router> slip default
Password:
Entering SLIP mode
Your IP address is 192.168.6.15, MTU is 1524 bytes
```

The following example illustrates the implementation of header compression on the interface with the IP address 172.16.2.1:

```
Router> slip 172.16.2.1 /compressed
Password:
Entering SLIP mode.
```

```
Interface IP address is 172.16.2.1, MTU is 1500 bytes.
Header compression will match your system.
```

In the preceding example, the interface is configured for **ip tcp header-compression passive**, which permitted the user to enter the **/compressed** keyword at the EXEC mode prompt. The message “Header compression will match your system” indicates that the user has specified compression. If the line was configured for **ip tcp header-compression on**, this line would read “Header compression is On.”

The following example specifies a TACACS server named parlance for address authentication:

```
Router> slip 10.0.0.1@parlance
Password:
Entering SLIP mode.
Interface IP address is 10.0.0.1, MTU is 1500 bytes
Header compression will match your system.
```

The following example sets the SLIP-PPP banner using several tokens and the percent sign (%) as the delimiting character:

```
Router(config)# banner slip-ppp %
Enter TEXT message. End with the character '%'.
Starting $(encap) connection from $(gate-ip) to $(peer-ip) using a maximum packet size of
$(mtu) bytes... %
```

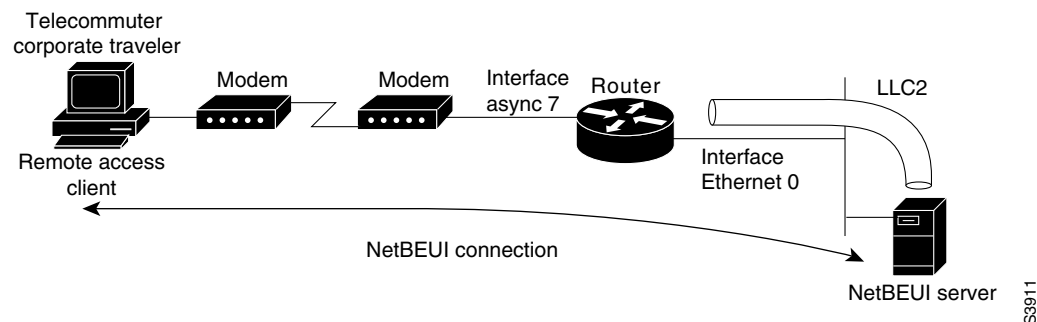
When you enter the **slip** command, you will see the following banner. Notice that the $$(token)$ syntax is replaced by the corresponding configuration variables.

```
Starting SLIP connection from 192.168.69.96 to 172.16.80.8 using a maximum packet size of
1500 bytes...
```

Remote Node NetBEUI Examples

In the following example, asynchronous interface 7 and Ethernet interface 0 are configured to enable NetBEUI connectivity between the corporate telecommuter client and the remote access (NetBEUI) server. The PC client is running the Chat legacy application in Windows NT to connect with the remote server. (See [Figure 7](#).)

Figure 7 Connecting a Remote NetBEUI Client to a Server Through a Router



The configuration for the router is as follows:

```
interface async 7
 netbios nbf
 encapsulation ppp
```

You would also need to configure security, such as TACACS+, RADIUS, or another form of login authentication on the router.

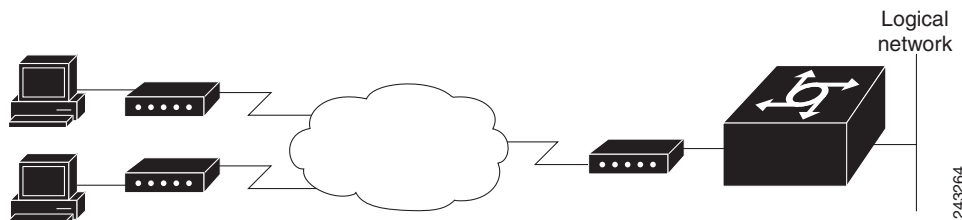
Remote Network Access Using PPP Basic Configuration Example

Figure 8 illustrates a simple network configuration that includes remote PCs with modems connected via modem to a router. The cloud is a Public Switched Telephone Network (PSTN). The modems are connected via asynchronous lines, and the access server is connected to a local network.

In this example, the following is configured:

- An asynchronous line on the access server configured to use PPP encapsulation.
- An interface on the access server for the modem connection; this interface also needs to be configured to accept incoming modem calls.
- A default IP address for each incoming line.

Figure 8 Remote Network Access Using PPP



This default address indicates the address of the remote PC to the server, unless the user explicitly specifies another when starting the PPP session.

The server is configured for interactive mode with autoselect enabled, which allows the user to automatically begin a PPP session upon detection of a PPP packet from the remote PC; or, the remote PC can explicitly begin a PPP session by entering the **ppp EXEC** command at the prompt.

The configuration is as follows:

```
ip routing
!
interface ethernet 0
 ip address 192.168.32.12 255.255.255.0
!
interface async 1
 encapsulation ppp
 async mode interactive
 async default ip address 192.168.32.51
 async dynamic address
 ip unnumbered ethernet 0

line 1
 autoselect ppp
 modem callin
 speed 19200
```

Remote Network Access Using PPP and Routing IP Example

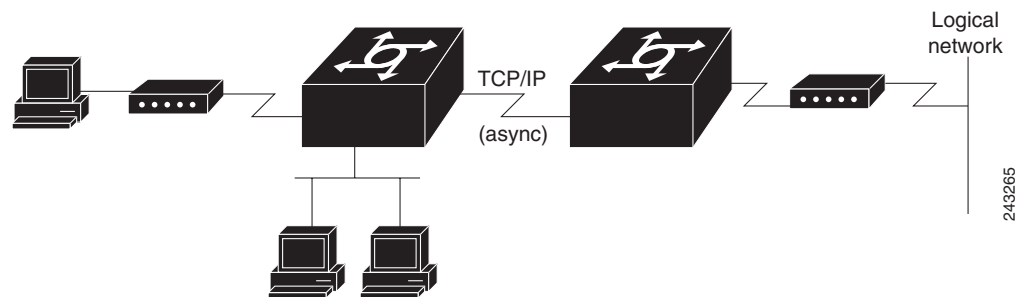
Figure 9 illustrates a network configuration that provides routing functionality, allowing routing updates to be passed across the asynchronous lines.

This network is composed of remote and local PCs connected via modem and network connections to an access server. This access server is connected to a second access server via an asynchronous line running TCP/IP. The second access server is connected to a local network via modem.

For this scenario, you will need to configure the following:

- An asynchronous line on both access servers configured to use PPP encapsulation
- An interface on both access servers for the modem connection and for this interface to be configured to accept incoming modem calls
- A default IP address for each incoming line
- IP routing on all configured interfaces

Figure 9 Routing on an Asynchronous Line Using PPP



The configuration is as follows:

```
interface async 1
 encapsulation ppp
 async mode interactive
 async default ip address 192.168.32.10
 async dynamic address
 ip unnumbered ethernet 0
 async dynamic routing
```

If you want to pass IP routing updates across the asynchronous link, enter the following commands:

```
line 1
 autoselect ppp
 modem callin
 speed 19200
```

Next, enter the following commands to configure the asynchronous lines between the access servers beginning in global configuration mode:

```
interface async 2
 async default ip address 192.168.32.55
 ip tcp header compression passive
```

Finally, configure routing as described in the *Cisco IOS IP Configuration Guide* using one of the following methods. The server can route packets three different ways.

- Use ARP, which is the default behavior.

- Use a default-gateway by entering the command **ip default-gateway** *x.x.x.x*, where *x.x.x.x* is the IP address of a locally attached router.
- Run an IP routing protocol such as Routing Information Protocol (RIP), Interior Gateway Routing Protocol (IGRP), Enhanced IGRP (EIGRP), or Open Shortest Path First (OSPF).

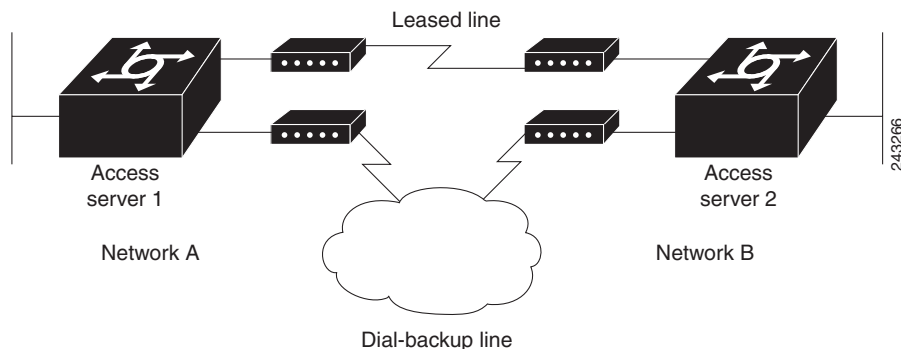
Remote Network Access Using a Leased Line with Dial-Backup and PPP Example

Figure 10 illustrates a scenario where two networks are connected via access servers on a leased line. Redundancy is provided by a dial-backup line over the PSTN so that if the primary leased line goes down, the dial-backup line will be automatically brought up to restore the connection. This configuration would be useful for using an auxiliary port as the backup port for a synchronous port.

For this scenario, you would need to configure the following:

- Two asynchronous interfaces on each access server
- Two modem interfaces
- A default IP address for each interface
- Dial-backup on one modem interface per access server
- An interface connecting to the related network of an access server

Figure 10 Asynchronous Leased Line with Backup



The configuration for this scenario follows:

```
hostname routerA
!
username routerB password cisco
chat-script backup "" "AT" TIMEOUT 30 OK atdt\T TIMEOUT 30 CONNECT \c !
!
interface Serial0
 backup interface Async1
 ip address 192.168.222.12 255.255.255.0
!
interface Async1
 ip address 172.16.199.1 255.255.255.0
 encapsulation ppp
 async default ip address 172.16.199.2
 async dynamic address
 async dynamic routing
 async mode dedicated
 dialer in-band
 dialer map IP 172.16.199.2 name routerB modem-script backup broadcast 3241129
 dialer-group 1
 ppp authentication chap
!
dialer-list 1 protocol ip permit
!
line aux 0
 modem InOut
 rxspeed 38400
 txspeed 38400
```

Multilink PPP Using Multiple Asynchronous Interfaces Example

The following example shows how to configure MLP using multiple asynchronous interfaces:

```
chat-script backup "" "AT" TIMEOUT 30 OK atdt\T TIMEOUT 30 CONNECT \c
!
ip address-pool local
ip pool foo 10.0.1.5 10.0.1.15
!
int as 1 (2, 3)
 no ip address
 dialer in-band
 encapsulation ppp
 ppp multilink
 dialer-rotary 1
!
interface dialer 1
 encaps ppp
 ip unnumbered ethernet 0
 peer default ip addr pool foo
 ppp authentication chap
 ppp multilink
 dialer in-band
 dialer map ip 10.200.100.9 name WAN-R3 modem-script backup broadcast 2322036
 dialer load-threshold 5 either
 dialer-group 1
!
dialer-list 1 protocol ip permit
!
line line 1 3
 modem InOut
```

```
speed 115000
```

Cisco and the Cisco Logo are trademarks of Cisco Systems, Inc. and/or its affiliates in the U.S. and other countries. A listing of Cisco's trademarks can be found at www.cisco.com/go/trademarks. Third party trademarks mentioned are the property of their respective owners. The use of the word partner does not imply a partnership relationship between Cisco and any other company. (1005R)

.Any Internet Protocol (IP) addresses and phone numbers used in this document are not intended to be actual addresses and phone numbers. Any examples, command display output, network topology diagrams, and other figures included in the document are shown for illustrative purposes only. Any use of actual IP addresses or phone numbers in illustrative content is unintentional and coincidental.

© 2007-2009 Cisco Systems, Inc. All rights reserved.



Optimized PPP Negotiation

Feature History

Release	Modification
12.2(4)T	This feature was introduced.
12.2(11)T	This feature was implemented on Cisco access server platforms.

This document describes the Asynchronous Line Monitoring feature feature. It includes the following sections:

- [Feature Overview, page 957](#)
- [Supported Platforms, page 958](#)
- [Supported Standards, MIBs, and RFCs, page 958](#)
- [Configuration Tasks, page 959](#)
- [Monitoring and Maintaining LCP and IPCP Predictive States, page 961](#)
- [Configuration Examples, page 961](#)
- [Command Reference, page 963](#)

Feature Overview

The Asynchronous Line Monitoring feature feature optimizes the time needed for PPP negotiation when a connection is made. PPP negotiation can include several cycles before the negotiation options are acknowledged. These negotiation cycles can cause a significant user-perceived delay, especially in networks with slow links such as a wireless data connection, where the round-trip time for the negotiation cycle can take 600 to 800 ms or more. Additionally, the PPP negotiation time can add significantly to the total time the user stays connected in these types of connections. The following changes to the PPP link control protocol (LCP) and PPP Internet Protocol Control Protocol (IPCP) negotiation strategies make a reduction in the negotiation time possible:

- Send an LCP Configure-Ack packet, then send the next-level LCP Configure-Request packet before receiving acknowledgment for the PPP Configure-Request packet.
- Send an LCP Configure-Ack packet after sending LCP Configure-Reject and Configure-Nak packets for certain configuration options.



Americas Headquarters:
Cisco Systems, Inc., 170 West Tasman Drive, San Jose, CA 95134-1706 USA

- Send an IPCP Configure-Ack packet after sending an IPCP Configure-Nak packet.
- Send IPCP Configure-Nak and Configure-Ack packets after rejecting certain configuration options.

Benefits

The Asynchronous Line Monitoring feature reduces delay in PPP negotiation time by predicting responses from peers and sending expected reply and request packets in advance, yet allows PPP negotiations to remain compliant with RFC 1661, the industry standard for transporting multiprotocol datagrams over point-to-point links.

Related Documents

Refer to the part “PPP Configuration” in the *Cisco IOS Dial Technologies Configuration Guide*, Release 12.2, for more information about configuring PPP.

Supported Platforms

See the next section for information about Feature Navigator and how to use this tool to determine the platforms and software images in which this feature is available.

Determining Platform Support Through Feature Navigator

Cisco IOS software is packaged in feature sets that support specific platforms. To get updated information regarding platform support for this feature, access Feature Navigator. Feature Navigator dynamically updates the list of supported platforms as new platform support is added for the feature.

Feature Navigator is a web-based tool that enables you to quickly determine which Cisco IOS software images support a specific set of features and which features are supported in a specific Cisco IOS image.

To access Feature Navigator, you must have an account on Cisco.com. If you have forgotten or lost your account information, send a blank e-mail to cco-locksmith@cisco.com. An automatic check will verify that your e-mail address is registered with Cisco.com. If the check is successful, account details with a new random password will be e-mailed to you. Qualified users can establish an account on Cisco.com by following the directions at <http://www.cisco.com/register>.

Feature Navigator is updated regularly when major Cisco IOS software releases and technology releases occur. For the most current information, go to the Feature Navigator home page at the following URL:

<http://www.cisco.com/go/fn>

Supported Standards, MIBs, and RFCs

Standards

None

MIBs

None

To obtain lists of supported MIBs by platform and Cisco IOS release, and to download MIB modules, go to the Cisco MIB website on Cisco.com at the following URL:

<http://www.cisco.com/public/sw-center/netmgmt/cmtk/mibs.shtml>

RFCs

- RFC 1661, *The Point-to-Point Protocol*

Configuration Tasks

See the following sections for configuration tasks for the Asynchronous Line Monitoring feature. Each task in the list is identified as either required or optional:

- [Configuring the LCP and IPCP Predictive States](#) (required)
- [Verifying LCP and IPCP Predictive States](#) (required)

Configuring the LCP and IPCP Predictive States

The **ppp lcp predictive** and **ppp ipcp predictive** commands are configured on group asynchronous and dialer rotary group interfaces in a dialup network that uses PPP or Multilink PPP. Begin configuration in global configuration mode and use the **interface group-async** and **interface dialer** commands to start interface configuration mode.

To configure the LCP and IPCP predictive states, use the following commands in interface configuration mode, as needed:

Command	Purpose
Router(config-if)# ppp lcp predictive	Sets LCP to a predictive state that reduces negotiation time by predicting responses from peers and sending expected reply and request packets in advance.
Router(config-if)# ppp ipcp predictive	Sets IPCP to a predictive state that reduces negotiation time by predicting responses from peers and sending expected reply and request packets in advance.

See the section “[Configuration Examples](#)” for examples of how to configure a network that would make use of the **ppp lcp predictive** and **ppp ipcp predictive** commands.

Verifying LCP and IPCP Predictive States

To verify that the LCP and IPCP predictive states are configured correctly, use the **debug ppp negotiation** command in privileged EXEC mode.

In the following sample output, lines in **bold** text indicate reports of LCP and IPCP negotiations in the predictive state configured by the **ppp lcp predictive** and **ppp ipcp predictive** commands:

```
Router# debug ppp negotiation

*Mar  2 02:25:27.693: %LINK-3-UPDOWN: Interface Serial0/0, changed state to up
*Mar  2 02:25:27.693: Se0/0 PPP: Treating connection as a dedicated line
*Mar  2 02:25:27.693: Se0/0 PPP: Phase is ESTABLISHING, Active Open
```

```

*Mar 2 02:25:27.693: Se0/0 LCP: O CONFREQ [Closed] id 11 len 10
*Mar 2 02:25:27.693: Se0/0 LCP:   MagicNumber 0x35C4DB07 (0x050635C4DB07)
*Mar 2 02:25:27.729: Se0/0 LCP: I CONFREQ [REQsent] id 14 len 29
*Mar 2 02:25:27.729: Se0/0 LCP:   MagicNumber 0xBF4E7481 (0x0506BF4E7481)
*Mar 2 02:25:27.729: Se0/0 LCP:   MRRU 1524 (0x110405F4)
*Mar 2 02:25:27.729: Se0/0 LCP:   EndpointDisc 1 Local (0x130F01696F7377616ED3 23630 3063)
*Mar 2 02:25:27.729: Se0/0 LCP: O CONFREQ [REQsent] id 14 len 23
*Mar 2 02:25:27.729: Se0/0 LCP:   MRRU 1524 (0x110405F4)
*Mar 2 02:25:27.733: Se0/0 LCP:   EndpointDisc 1 Local (0x130F01696F7377616ED3 23630 3063)
*Mar 2 02:25:27.733: Se0/0 LCP: O CONFACK [REQsent] id 15 len 10
*Mar 2 02:25:27.733: Se0/0 LCP:   MagicNumber 0xBF4E7481 (0x0506BF4E7481)
*Mar 2 02:25:27.733: Se0/0 LCP: State is Open
*Mar 2 02:25:27.733: Se0/0 PPP: Phase is UP
*Mar 2 02:25:27.737: Se0/0 IPCP: O CONFREQ [Closed] id 10 len 16
*Mar 2 02:25:27.737: Se0/0 IPCP:   CompressType VJ 15 slots (0x0206002D0F00)
*Mar 2 02:25:27.737: Se0/0 IPCP:   Address 10.1.30.200 (0x03060A011EC8)
*Mar 2 02:25:27.745: Se0/0 LCP: I CONFACK [Open] id 11 len 10
*Mar 2 02:25:27.745: Se0/0 LCP:   MagicNumber 0x35C4DB07 (0x050635C4DB07)
*Mar 2 02:25:27.777: Se0/0 LCP: I CONFREQ [Open] id 15 len 10
*Mar 2 02:25:27.781: Se0/0 LCP:   MagicNumber 0xBF4E7481 (0x0506BF4E7481)
*Mar 2 02:25:27.781: Se0/0 LCP: Dropping packet, state is Open
*Mar 2 02:25:27.813: Se0/0 IPCP: I CONFREQ [REQsent] id 105 len 28
*Mar 2 02:25:27.813: Se0/0 IPCP:   CompressType VJ 15 slots (0x0206002D0F00)
*Mar 2 02:25:27.813: Se0/0 IPCP:   Address 0.0.0.0 (0x030600000000)
*Mar 2 02:25:27.813: Se0/0 IPCP:   PrimaryDNS 0.0.0.0 (0x810600000000)
*Mar 2 02:25:27.813: Se0/0 IPCP:   SecondaryDNS 0.0.0.0 (0x830600000000)
*Mar 2 02:25:27.813: Se0/0 IPCP: Pool returned 10.1.30.109
*Mar 2 02:25:27.817: Se0/0 IPCP: O CONFREQ [REQsent] id 105 len 16
*Mar 2 02:25:27.817: Se0/0 IPCP:   PrimaryDNS 0.0.0.0 (0x810600000000)
*Mar 2 02:25:27.817: Se0/0 IPCP:   SecondaryDNS 0.0.0.0 (0x830600000000)
*Mar 2 02:25:27.817: Se0/0 IPCP: O CONFNAK [REQsent] id 106 len 10
*Mar 2 02:25:27.817: Se0/0 IPCP:   Address 10.1.30.109 (0x03060A011E6D)
*Mar 2 02:25:27.817: Se0/0 IPCP: O CONFACK [REQsent] id 107 len 16
*Mar 2 02:25:27.817: Se0/0 IPCP:   CompressType VJ 15 slots (0x0206002D0F00)
*Mar 2 02:25:27.821: Se0/0 IPCP:   Address 10.1.30.109 (0x03060A011E6D)
*Mar 2 02:25:27.833: Se0/0 IPCP: I CONFACK [ACKsent] id 10 len 16
*Mar 2 02:25:27.833: Se0/0 IPCP:   CompressType VJ 15 slots (0x0206002D0F00)
*Mar 2 02:25:27.833: Se0/0 IPCP:   Address 10.1.30.200 (0x03060A011EC8)
*Mar 2 02:25:27.833: Se0/0 IPCP: State is Open
*Mar 2 02:25:27.837: Se0/0 IPCP: Install route to 10.1.30.109
*Mar 2 02:25:27.837: Se0/0 IPCP: Add link info for cef entry 10.1.30.109
*Mar 2 02:25:27.861: Se0/0 IPCP: I CONFREQ [Open] id 106 len 16
*Mar 2 02:25:27.865: Se0/0 IPCP:   CompressType VJ 15 slots (0x0206002D0F00)
*Mar 2 02:25:27.865: Se0/0 IPCP:   Address 0.0.0.0 (0x030600000000)
*Mar 2 02:25:27.865: Se0/0 IPCP: Dropping packet, state is Open
*Mar 2 02:25:27.881: Se0/0 IPCP: I CONFREQ [Open] id 107 len 16
*Mar 2 02:25:27.885: Se0/0 IPCP:   CompressType VJ 15 slots (0x0206002D0F00)
*Mar 2 02:25:27.885: Se0/0 IPCP:   Address 10.1.30.109 (0x03060A011E6D)
*Mar 2 02:25:27.885: Se0/0 IPCP: Dropping packet, state is Open
*Mar 2 02:25:28.733: %LINEPROTO-5-UPDOWN: Line protocol on Interface Serial0/, changed state to up

```

Refer to RFC 1661 for more information about the PPP link operation. To turn off debug messaging, enter the **undebg ppp negotiation** command in privileged EXEC mode.

Troubleshooting Tips

See the section [“Verifying LCP and IPCP Predictive States”](#) to troubleshoot the LCP and IPCP predictive states.

Monitoring and Maintaining LCP and IPCP Predictive States

To monitor and maintain interfaces using LCP and IPCP predictive states, use the following command in EXEC mode:

Command	Purpose
Router# show interfaces serial	Displays information about a serial interface.

Configuration Examples

This section provides the following configuration examples:

- [Configuration with a Wireless Dialup Client Example](#)
- [Dialup Connection with Router as Client Example](#)

Configuration with a Wireless Dialup Client Example

The following configuration supports a PC running Windows 95 or Windows NT, and a dialup client such as a cell phone:

```
hostname s5300
!
isdn switch-type primary-5ess
!
chat-script usr2 ABORT ERROR ABORT BUSY "" "ATZ" OK "ATDT \T" TIMEOUT 30 CONNECT
chat-script usr ABORT ERROR ABORT BUSY "" "ATZ" OK "ATDT \T" TIMEOUT 30 CONNECTfax
interface-type modem
!
controller t1 0
 framing esf
 clock source line primary
 linecode b8zs
 pri-group timeslots 1-24
!
interface loopback 0
 ip address 2.2.2.2 255.255.255.0
 no ip mroute-cache
!
interface serial 0:23
 no ip address
 encapsulation ppp
 no keepalive
 dialer pool-member 1
 isdn switch-type primary-5ess
 isdn incoming-voice modem
 no peer default ip address
 no fair-queue
 no cdp enable
!
interface group-async1
 ip unnumbered loopback 0
 encapsulation ppp
 no ip mroute-cache
 dialer in-band
 dialer pool-member 1
```

```

async dynamic address
async dynamic routing
async mode dedicated
no fair-queue
ppp lcp predictive
ppp ipcp predictive
group-range 1 48
hold-queue 75 in
!
interface dialer 1
ip unnumbered loopback 0
encapsulation ppp
dialer pool 1
dialer idle-timeout 120000
dialer enable-timeout 6
dialer-group 1
peer default ip address pool LOCAL
no cdp enable
ppp lcp predictive
ppp ipcp predictive
ppp multilink
!
ip local pool LOCAL 2.2.2.10 2.2.2.20
!
dialer-list 1 protocol ip permit
no cdp run
!
line con 0
exec-timeout 0 0
transport input none
line 1 48
script dialer usr
login
modem InOut
modem autoconfigure discovery
transport preferred none
transport input all
transport output none
autoselect during-login
autoselect ppp
line aux 0
line vty 0 4
password lab
login
!
end

```

Dialup Connection with Router as Client Example

To change the configuration in the previous example so that the network supports the router rather than a PC device as the dialup client, change the dialer interface portion of the configuration commands (the portion beginning with the **interface dialer 1** command) as follows:

```

!
interface dialer 1
no peer default ip address
end

```

All other commands listed in the [“Configuration with a Wireless Dialup Client Example”](#) remain unchanged.

Command Reference

The following commands are introduced or modified in the feature or features documented in this module. For information about these commands, see the *Cisco IOS Dial Technologies Command Reference* at http://www.cisco.com/en/US/docs/ios/dial/command/reference/dia_book.html. For information about all Cisco IOS commands, go to the Command Lookup Tool at <http://tools.cisco.com/Support/CLILookup> or to the *Cisco IOS Master Commands List*.

- **ppp lcp predictive**
- **ppp ipcp predictive**

Cisco and the Cisco Logo are trademarks of Cisco Systems, Inc. and/or its affiliates in the U.S. and other countries. A listing of Cisco's trademarks can be found at www.cisco.com/go/trademarks. Third party trademarks mentioned are the property of their respective owners. The use of the word partner does not imply a partnership relationship between Cisco and any other company. (1005R)

Any Internet Protocol (IP) addresses and phone numbers used in this document are not intended to be actual addresses and phone numbers. Any examples, command display output, network topology diagrams, and other figures included in the document are shown for illustrative purposes only. Any use of actual IP addresses or phone numbers in illustrative content is unintentional and coincidental.

© 2008–2009 Cisco Systems, Inc. All rights reserved.



Customer Profile Idle Timer Enhancements for Interesting Traffic

Feature History

Release	Modification
12.2(4)T	This feature was introduced.
12.2(11)T	This feature was implemented on Cisco access server platforms.

This document describes the Asynchronous Line Monitoring feature feature. It includes the following sections:

- [Feature Overview, page 965](#)
- [Supported Platforms, page 966](#)
- [Supported Standards, MIBs, and RFCs, page 967](#)
- [Configuration Tasks, page 967](#)
- [Configuration Examples, page 970](#)
- [Command Reference, page 974](#)
- [Glossary, page 975](#)

Feature Overview

Before Cisco IOS Release 12.2(4)T, only the dialer idle timer could be reset for *interesting* traffic on a dialer interface. The Asynchronous Line Monitoring feature feature available in Cisco IOS Release 12.2(4)T supports a PPP idle timer based on interesting traffic for dialer interfaces. (Existing PPP idle timer behavior is not changed when traffic is not classified.) New commands and functionality provided with this feature also address idle timer issues for virtual access dialup network (VPDN) sessions, which use virtual access (projected) interfaces and rely on the PPP idle timer mechanism.



The Resource Pool Manager (RPM) per-customer profile dialer idle timer function works with Multilink PPP (MLP) and Multichassis Multilink PPP (MMP), providing that the master bundle interface is not a virtual access (projected) interface. For virtual access interfaces such as those used in a VPDN or with MMP where the dialer idle timer cannot be used, you can now classify the IP traffic that resets the PPP idle timer. A named access list is also supported.

Additionally, because RPM customer profiles are applied on a per-Dialed Number Identification Service (DNIS) basis and allow for configuring a per-customer profile dialer idle timer, the Asynchronous Line Monitoring feature feature associates idle timers based on call type and DNIS.

The idle timer implementation in the Asynchronous Line Monitoring feature feature specifies that for calls terminated on a network access server, a virtual access interface is cloned from the virtual template. This virtual access interface is linked to a physical interface on which is running a dialer timer. If the PPP idle timer is configured on the virtual template or provided by an authentication, authorization, and accounting (AAA) per-user interface configuration, the result is two idle timers, as follows:

- A PPP idle timer on the virtual access interface.
- A dialer idle timer on the physical interface.

Neither the dialer idle timer nor the PPP idle timer will run when the idle timer in the per-user configuration is set to 0. When the per-user idle timer is set to some value besides 0, that value overrides all local idle timer configurations.

Benefits

The Asynchronous Line Monitoring feature feature provides the following system idle timer benefits:

- Resets the PPP idle timer based on interesting inbound or outbound IP traffic for virtual access interfaces on Layer 2 Tunnel Protocol (L2TP) access concentrators (LACs) and L2TP network servers (LNSs).
- Associates the dialer timer with interesting traffic within RPM customer profiles.
- Applies the user idle-timer value RADIUS attribute 28 across all interfaces associated with the call.

Restrictions

The PPP idle timer can classify IP traffic only.

Supported Platforms

See the next section for information about Feature Navigator and how to use this tool to determine the platforms and software images in which this feature is available.

Platform Support Through Feature Navigator

Cisco IOS software is packaged in feature sets that support specific platforms. To get updated information regarding platform support for this feature, access Feature Navigator. Feature Navigator dynamically updates the list of supported platforms as new platform support is added for the feature.

Feature Navigator is a web-based tool that enables you to quickly determine which Cisco IOS software images support a specific set of features and which features are supported in a specific Cisco IOS image.

To access Feature Navigator, you must have an account on Cisco.com. If you have forgotten or lost your account information, send a blank e-mail to cco-locksmith@cisco.com. An automatic check will verify that your e-mail address is registered with Cisco.com. If the check is successful, account details with a new random password will be e-mailed to you. Qualified users can establish an account on Cisco.com by following the directions at <http://www.cisco.com/register>.

Feature Navigator is updated when major Cisco IOS software releases and technology releases occur. As of May 2001, Feature Navigator supports M, T, E, S, and ST releases. You can access Feature Navigator at the following URL:

<http://www.cisco.com/go/fn>

Supported Standards, MIBs, and RFCs

Standards

None

MIBs

None

To obtain lists of supported MIBs by platform and Cisco IOS release, and to download MIB modules, go to the Cisco MIB website on Cisco.com at the following URL:

<http://www.cisco.com/public/sw-center/netmgmt/cmtk/mibs.shtml>

RFCs

None

Configuration Tasks

See the following sections for configuration tasks for the Asynchronous Line Monitoring feature feature. Each task in the list is identified as either required or optional:

- [Configuring an RPM Template to Accept Dialer Interface Timers](#) (required)
- [Configuring a PPP Idle Timer Based on Interesting IP Traffic](#) (required)
- [Configuring the Idle Timer in a RADIUS Profile](#) (optional)
- [Verifying the Asynchronous Line Monitoring feature](#) (optional)

Configuring an RPM Template to Accept Dialer Interface Timers

To configure a template to accept dialer interface timers, use the following commands beginning in global configuration mode:

	Command	Purpose
Step 1	Router(config)# template <i>name</i>	Accesses the template configuration mode for configuring a particular customer profile template.
Step 2	Router(config-template)# dialer idle-timeout <i>seconds</i>	Sets the dialer idle timeout period in a virtual template interface.
Step 3	Router(config-template)# dialer-group <i>dialer-list-number</i>	Controls access by configuring an interface to belong to a specific dialing group.

Configuring a PPP Idle Timer Based on Interesting IP Traffic

To configure a PPP idle timer based on *interesting* IP traffic, use the following commands beginning in global configuration mode:

	Command	Purpose
Step 1	Router(config)# interface virtual-template <i>number</i>	Creates a virtual template interface that can be configured and applied dynamically in creating virtual access interfaces, and enters interface configuration mode.
Step 2	Router(config-if)# ppp timeout idle <i>time</i>	Sets PPP idle timeout parameters on the virtual template interface.
Step 3	Router(config-if)# ip idle-group { <i>access-list-number</i> <i>access-list-name</i> } { in out }	Configures interesting inbound traffic (using the in keyword) or outbound traffic (using the out keyword) on a virtual template interface for the PPP idle timer.

See the configurations included in the “[Configuration Examples](#)” section for additional commands that you might configure.

Configuring the Idle Timer in a RADIUS Profile

To set the idle timer from AAA, configure the following RADIUS profile:

```
aaa-idle Password = "password"
Service-Type = Framed,
Framed-Protocol = PPP,
Idle-timeout = 60
```

Verifying the Asynchronous Line Monitoring feature

To verify that the Asynchronous Line Monitoring feature is configured correctly, perform the following verification steps:

-
- Step 1** To display the idle time configured, and any remote caller that is connected and its IP address, enter the **show caller timeout EXEC** command:

```
Router# show caller timeout
```

Line	User	Host(s)	Idle	Location
* 0 con 0		idle	00:00:00	
47 tty 47	st-5300-c3	Async interface	00:00:15	PPP: 11.1.1.2

Interface	User	Mode	Idle	Peer Address

Step 2 Enter the **show caller timeout EXEC** command again. Notice that the **show caller timeout** command displays the idle timeout configured as 20 seconds:

```
Router# show caller timeout
```

Line	User	Session Timeout	Idle Timeout	Disconnect User in
con 0	-	-	-	-
tty 47	st-5300-c3	-	00:30:00	00:29:43
As47	st-5300-c3	-	00:00:20	now

Step 3 Continue entering the **show caller timeout** command. The displays show the timers counting down and then disconnecting.

```
Router# show caller timeout
```

Line	User	Session Timeout	Idle Timeout	Disconnect User in
con 0	-	-	-	-
tty 47	st-5300-c3	-	00:30:00	00:29:43
As47	st-5300-c3	-	00:00:20	now

```
Router#
```

```
Router# show caller timeout
```

Line	User	Session Timeout	Idle Timeout	Disconnect User in
con 0	-	-	-	-
tty 47	-	-	00:30:00	00:29:41

```
Router# show caller timeout
```

Line	User	Session Timeout	Idle Timeout	Disconnect User in
con 0	-	-	-	-
tty 47	-	-	00:30:00	00:29:38

```
Router# show caller timeout
```

Line	User	Session Timeout	Idle Timeout	Disconnect User in
con 0	-	-	-	-

Troubleshooting Tips

To troubleshoot the Asynchronous Line Monitoring feature, use the following debugging commands:

- **debug cca**
- **debug aaa authen**
- **debug aaa author**
- **debug aaa per-user**

- **debug ppp authen**
- **debug ppp neg**
- **debug radius**
- **debug isdn q931**
- **debug dialer detail**
- **debug vaccess**
- **debug vprofile**

Monitoring and Maintaining the Asynchronous Line Monitoring feature

To monitor and maintain the Asynchronous Line Monitoring feature feature, use the following EXEC commands:

Command	Purpose
Router# show caller	Displays caller information.
Router# show ip access-list	Displays the contents of all current IP access lists.
Router# show users	Displays information about the active lines on the router.

Configuration Examples

This section provides the following configuration examples:

- [Two Templates with Different Dialer Idle Timer Settings Example](#)
- [Resetting the Dialer Idle Timer with Interesting Traffic Example](#)
- [Network Access Server Extended Configuration Example](#)

Two Templates with Different Dialer Idle Timer Settings Example

The following partial example shows how to configure two customer profiles, each with different templates. Notice that each template sets the dialer idle timer differently:

```
resource-pool enable
!
resource-pool profile customer prf_cust_1
  limit base-size all
  limit overflow-size 0
  dn timer group dn_timer_g1
  source template template1
!
resource-pool profile customer prf_cust_2
  limit base-size all
  limit overflow-size 0
  dn timer group dn_timer_g2
  source template template2
!
```



```

template templatel
  dialer idle-timeout 45
  dialer-group 1
!
template template2
  dialer idle-timeout 90
  dialer-group 2
!
dialer dnis group dnis_g1
  number 11111111
!
dialer dnis group dnis_g2
  number 22222222

```

Resetting the Dialer Idle Timer with Interesting Traffic Example

The following partial example shows how to configure an RPM customer profile that sets the dialer idle timer in a virtual template interface based on either inbound or outbound traffic:

```

resource-pool enable
!
resource-pool profile customer prf_cust_1
  limit base-size all
  limit overflow-size 0
  dnis group dnis_g1
  source template templatel
!
template templatel
  dialer idle-timeout 45 either
  dialer-group 1
!
dialer dnis group dnis_g1
  number 1231231234

```

Network Access Server Extended Configuration Example

The following example shows the configuration for a Cisco AS5300 series access server, which is part of a large-scale dial-out configuration. Notice that on virtual template interface 1 the PPP idle timer is configured to reset only on interesting inbound traffic, and that both dialer interface idle timers are set to 60 seconds:

```

hostname 5300
!
aaa new-model
aaa authentication ppp default local group radius none
aaa authorization network default local group radius none
!
username 4500 password 0 cisco
username 5300 password 0 cisco
username 2500-1 password 0 cisco
username 2500-2 password 0 cisco
username LAC password 0 cisco
username LNS password 0 cisco
username SGBP password 0 cisco
spe 1/0 2/9
  firmware location system:/ucode/mica_port_firmware
!
resource-pool enable
!

```

```

resource-pool group resource modem
  range port 1/0 1/48
!
resource-pool group resource data
  range limit 20
!
resource-pool profile customer cust
  limit base-size all
  limit overflow-size 0
  resource modem speech
  resource data digital
  dnis group dnis_g7
  source template1
!
dialer dnis group dnis_g7
  number 11111112

ip subnet-zero
!
sgbp group MMP
sgbp member 2500-2 10.0.38.3
sgbp ppp-forward
!
vpdn enable
no vpdn logging
!
isdn switch-type primary-5ess
!
template template1
  dialer idle-timeout 27
  dialer-group 1
!
controller T1 0
  framing esf
  clock source line primary
  linecode b8zs
  pri-group timeslots 1-24
!
interface Loopback1
  ip address 192.168.14.1 255.255.255.255
  no ip route-cache
  no ip mroute-cache
!
interface Ethernet0
  ip address 10.0.38.14 255.255.255.0
  no ip route-cache
  no ip mroute-cache
!
interface Virtual-Template1
  ip unnumbered Loopback1
  peer default ip address pool local_pool
  ppp authentication chap callin
  ppp chap hostname name
  ppp timeout idle 60
  ip idle-group 101 in
  ip idle-group 102 in
  ppp multilink
!
interface Serial0:23
  ip unnumbered Loopback1
  encapsulation ppp
  ip mroute-cache
  load-interval 30
  dialer load-threshold 1 outbound

```

```
dialer-group 2
 isdn switch-type primary-5ess
 isdn incoming-voice modem
 ppp authentication chap callin
 ppp multilink
!
interface Async1
 ip unnumbered Loopback1
 encapsulation ppp
 dialer in-band
 dialer rotary-group 1
 dialer-group 1
 async mode dedicated
!
interface Dialer1
 ip unnumbered Loopback1
 encapsulation ppp
 dialer in-band
 dialer idle-timeout 60
 dialer-group 1
 peer default ip address pool local_pool
 ppp authentication chap callin
 ppp chap hostname name
!
ip local pool local_pool 10.1.14.1 10.1.14.254
ip classless
ip route 172.0.0.0 255.0.0.0 Ethernet0
ip route 192.168.0.0 255.255.255.0 10.0.38.1
no ip http server
!
access-list 101 deny icmp any any
access-list 101 permit ip any any
!
access-list 102 deny tcp any any
access-list 102 permit ip any any
!
dialer-list 1 protocol ip list 101
dialer-list 2 protocol ip list 102
dialer-list 3 protocol ip permit
!
access-list 101 permit icmp any any
access-list 102 deny ip any any

radius-server host 172.69.70.72 auth-port 1645 acct-port 1646
radius-server retransmit 3
radius-server key cisco
!
line con 0
 exec-timeout 0 0
 transport input none
line 1 2
 no exec
 exec-timeout 0 0
 autoselect ppp
 script dialer dial
 script reset reset
 modem InOut
 modem autoconfigure discovery
 transport input all
line 2 240
 no exec
 exec-timeout 0 0
 transport input all
line aux 0
```

```
line vty 0 4
!  
end
```

Command Reference

The following commands are introduced or modified in the feature or features documented in this module. For information about these commands, see the *Cisco IOS Dial Technologies Command Reference* at http://www.cisco.com/en/US/docs/ios/dial/command/reference/dia_book.html. For information about all Cisco IOS commands, go to the Command Lookup Tool at <http://tools.cisco.com/Support/CLILookup> or to the *Cisco IOS Master Commands List*.

New Commands

- **ip idle-group**
- **dialer-group (template)**
- **dialer idle-timeout (template)**
- **ppp timeout idle (template)**

Modified Command

- **dialer-list protocol**

Glossary

interesting packets—Dialer access lists are central to the operation of DDR. In general, access lists are used as the screening criteria for determining when to initiate DDR calls.

Cisco and the Cisco Logo are trademarks of Cisco Systems, Inc. and/or its affiliates in the U.S. and other countries. A listing of Cisco's trademarks can be found at www.cisco.com/go/trademarks. Third party trademarks mentioned are the property of their respective owners. The use of the word partner does not imply a partnership relationship between Cisco and any other company. (1005R)

.Any Internet Protocol (IP) addresses and phone numbers used in this document are not intended to be actual addresses and phone numbers. Any examples, command display output, network topology diagrams, and other figures included in the document are shown for illustrative purposes only. Any use of actual IP addresses or phone numbers in illustrative content is unintentional and coincidental.

© 2008–2009 Cisco Systems, Inc. All rights reserved.



Multiclass Multilink PPP

Feature History

Release	Modification
12.2(13)T	This feature was introduced.

This document describes the Multiclass Multilink PPP feature in Cisco IOS Release 12.2(13)T. It includes the following sections:

- [Feature Overview, page 977](#)
- [Supported Platforms, page 978](#)
- [Supported Standards, MIBs, and RFCs, page 979](#)
- [Prerequisites, page 980](#)
- [Configuration Tasks, page 980](#)
- [Configuration Examples, page 981](#)
- [Command Reference, page 983](#)

Feature Overview

Previous implementations of Cisco IOS Multilink PPP (MLP) include support for Link Fragmentation Interleaving (LFI). This feature allows the delivery of delay-sensitive packets, such as the packets of a Voice call, to be expedited by omitting the PPP Multilink Protocol header and sending the packets as raw PPP packets in between the fragments of larger data packets. This feature works well on bundles consisting of a single link. However, when the bundle contains multiple links there is no way to keep the interleaved packets in sequence with respect to each other.

The Multiclass Multilink PPP (MCMP) feature in Cisco IOS Release 12.2(13)T addresses the limitations of MLP LFI on bundles containing multiple links by introducing multiple data classes. Normal data traffic and delay-sensitive data traffic are divided into Class 0 and Class 1, respectively. Class 0 data traffic is subject to fragmentation just as regular multilink packets are. Class 1 data traffic can be interleaved but never fragmented. The next transmit sequence number, expected sequence number, unassigned fragment list, working packet, lost fragment timer, fast-switching mode, and all statistics are managed per class, rather than for the bundle as a whole.



Benefits

The Multiclass Multilink PPP feature in Cisco IOS Release 12.2(13)T allows rapid delivery of real-time data over a bundle containing multiple links without loss of sequencing.

Restrictions

The **ppp multilink multiclass** command must be configured on each link that will be joining the bundle. Failure to configure this command could result in the peer refusing to allow mismatched links to join the bundle. The first link to join the bundle will determine whether MCMP is in effect for the bundle. Each subsequent link must negotiate the same MCMP parameters in order to join the bundle.

Because real-time traffic is encapsulated with multilink headers, the receiver will be required to buffer the packets when they arrive out of sequence. Therefore, the differential delay between the links must be small relative to the tolerable delay for such traffic. Otherwise, packets may be subject to additional delay while the receiver awaits the arrival of earlier sequence numbers sent over other links in the bundle.

The maximum number of links supported for an MCMP bundle is 64.

The Prefix Elision option specified in RFC 2686 is not supported.

Related Features and Technologies

- Multilink PPP

Related Documents

- *Cisco IOS Dial Technologies Configuration Guide*, Release 12.2
- *Cisco IOS Dial Technologies Command Reference*, Release 12.2

Supported Platforms

- Cisco 2600 series
- Cisco 3600 series
- Cisco 3700 series
- Cisco 7200 series
- Cisco AS5300
- Cisco AS5350
- Cisco AS5400

Determining Platform Support Through Cisco Feature Navigator

Cisco IOS software is packaged in feature sets that are supported on specific platforms. To get updated information regarding platform support for this feature, access Cisco Feature Navigator. Cisco Feature Navigator dynamically updates the list of supported platforms as new platform support is added for the feature.

Cisco Feature Navigator is a web-based tool that enables you to quickly determine which Cisco IOS software images support a specific set of features and which features are supported in a specific Cisco IOS image. You can search by feature or release. Under the release section, you can compare releases side by side to display both the features unique to each software release and the features in common.

To access Cisco Feature Navigator, you must have an account on Cisco.com. If you have forgotten or lost your account information, send a blank e-mail to cco-locksmith@cisco.com. An automatic check will verify that your e-mail address is registered with Cisco.com. If the check is successful, account details with a new random password will be e-mailed to you. Qualified users can establish an account on Cisco.com by following the directions found at this URL:

<http://www.cisco.com/register>

Cisco Feature Navigator is updated regularly when major Cisco IOS software releases and technology releases occur. For the most current information, go to the Cisco Feature Navigator home page at the following URL:

<http://www.cisco.com/go/fn>

Availability of Cisco IOS Software Images

Platform support for particular Cisco IOS software releases is dependent on the availability of the software images for those platforms. Software images for some platforms may be deferred, delayed, or changed without prior notice. For updated information about platform support and availability of software images for each Cisco IOS software release, refer to the online release notes or, if supported, Cisco Feature Navigator.

Supported Standards, MIBs, and RFCs

Standards

None

MIBs

None

To locate and download MIBs for selected platforms, Cisco IOS releases, and feature sets, use Cisco MIB Locator found at the following URL:

<http://tools.cisco.com/ITDIT/MIBS/servlet/index>

If Cisco MIB Locator does not support the MIB information that you need, you can also obtain a list of supported MIBs and download MIBs from the Cisco MIBs page at the following URL:

<http://www.cisco.com/public/sw-center/netmgmt/cmtk/mibs.shtml>

To access Cisco MIB Locator, you must have an account on Cisco.com. If you have forgotten or lost your account information, send a blank e-mail to cco-locksmith@cisco.com. An automatic check will verify that your e-mail address is registered with Cisco.com. If the check is successful, account details with a new random password will be e-mailed to you. Qualified users can establish an account on Cisco.com by following the directions found at this URL:

<http://www.cisco.com/register>

RFCs

- RFC 2686, *The Multi-Class Extension to Multi-Link PPP*

Prerequisites

The dialer interface, BRI interface, PRI interface, multilink interface, or virtual template must be configured, and PPP encapsulation must be enabled. For information on completing these tasks, refer to the *Cisco IOS Dial Technologies Configuration Guide*, Release 12.2.

MLP LFI must be configured on the bundle. See the section “[Configuring MLP LFI on a Bundle](#)” in this document.

Configuration Tasks

See the following sections for configuration tasks for the Multiclass Multilink PPP feature. Each task in the list is identified as either required or optional.

- [Configuring MLP LFI on a Bundle](#) (required)
- [Configuring MCMP on a Member Link](#) (required)
- [Verifying MCMP](#) (optional)

Configuring MLP LFI on a Bundle

To configure MLP LFI on a dialer, multilink, or virtual template, use the following commands beginning in interface configuration mode:

	Command	Purpose
Step 1	Router(config-if)# ppp multilink	Enables MLP.
Step 2	Router(config-if)# ppp multilink interleave	Enables interleaving of packets among the fragments of larger packets on an MLP bundle.
Step 3	Router(config-if)# ppp multilink fragment delay milliseconds	Specifies a maximum size, in units of time, for packet fragments on an MLP bundle.
Step 4	Router(config-if)# ip rtp reserve lowest-udp-port range-of-ports [maximum-bandwidth]	Reserves a special queue for real-time packet flows to specified destination User Datagram Protocol (UDP) ports, allowing real-time traffic to have higher priority than other flows.
Step 5	Router(config-if)# exit	Exits interface configuration mode.
Step 6	Router(config)# multilink virtual-template number	For virtual templates only, applies the virtual template to the multilink bundle. ¹

1. This step is not used for dialer interfaces.

Configuring MCMP on a Member Link

To configure MCMP on a configured and operational member link, use the following commands in interface configuration mode:

	Command	Purpose
Step 1	Router(config-if)# ppp multilink	Enables MLP.
Step 2	Router(config-if)# ppp multilink multiclass	Enables MCMP on an interface.

Verifying MCMP

To verify that the Multiclass Multilink PPP feature is configured correctly, enter the **show ppp multilink EXEC** command. The following output includes class-specific information for the PPP Multilink bundles:

```
Router# show ppp multilink

Virtual-Access3, bundle name is bundle1
Bundle up for 01:59:35, 1/255 load, 2 receive classes, 2 transmit classes
Receive buffer limit 12192 bytes per class, frag timeout 1524 ms
Dialer interface is Dialer1
!
Receive Class 0:
0/0 fragments/bytes in reassembly list
0 lost fragments, 0 reordered
0/0 discarded fragments/bytes, 0 lost received
0x0 received sequence
!
Receive Class 1:
0/0 fragments/bytes in reassembly list
0 lost fragments, 0 reordered
0/0 discarded fragments/bytes, 0 lost received
0x0 received sequence
!
Transmit Class 0:
0x8 sent sequence
!
Transmit Class 1:
0x0 sent sequence
!
Member links: 1 (max not set, min not set)
BR2/0:1, since 01:59:35, 80 weight, 72 frag size
```

Configuration Examples

This section provides the following configuration example:

- [Configuring MCMP on a Dialer Example](#)
- [MCMP and MLP Interleaving and Queuing for Real-Time Traffic Examples](#)

Configuring MCMP on a Dialer Example

The following partial example configures a dialer for MCMP; it does not show the configuration of the physical interfaces:

```
interface Dialer0
 ip address 10.0.0.2 255.0.0.0
 encapsulation ppp
 dialer in-band
 dialer idle-timeout 500
 dialer map ip 10.0.0.1 name remote broadcast 81012345678901
 dialer load-threshold 30 either
 dialer-group 1
 ppp authentication chap
 ppp multilink
 ppp multilink multiclass
```

MCMP and MLP Interleaving and Queueing for Real-Time Traffic Examples

The following example enables MLP interleaving and MCMP on a dialer interface that controls a rotary group of BRI interfaces. This configuration permits IP packets to trigger calls.

```
interface BRI 0
 description connected into a rotary group
 encapsulation ppp
 dialer rotary-group 1
 !
interface BRI 1
 no ip address
 encapsulation ppp
 dialer rotary-group 1
 !
interface BRI 2
 encapsulation ppp
 dialer rotary-group 1
 !
interface BRI 3
 no ip address
 encapsulation ppp
 dialer rotary-group 1
 !
interface BRI 4
 encapsulation ppp
 dialer rotary-group 1
 !
interface Dialer 0
 description Dialer group controlling the BRIs
 ip address 10.1.1.1 255.255.255.0
 encapsulation ppp
 dialer map ip 10.1.1.2 name remote 14802616900
 dialer-group 1
 ppp authentication chap
 ! Enables Multilink Multiclass PPP interleaving on the dialer interface and reserves
 ! a special queue.
 ppp multilink
 ppp multilink multiclass
 ppp multilink interleave
 ip rtp reserve 32768 20 1000
 ! Keeps fragments of large packets small enough to ensure delay of 20 ms or less.
 ppp multilink fragment delay 20
 dialer-list 1 protocol ip permit
```

The following example defines a virtual interface template that enables MLP interleaving and a maximum real-time traffic delay of 20 milliseconds. The bundle interface will be a virtual access interface cloned from the virtual template. MCMP is then configured on a member link, Serial0.

```
interface virtual-template 1
  ip unnumbered ethernet 0
  ppp multilink
  ppp multilink interleave
  ppp multilink fragment delay 20
  ip rtp interleave 32768 20 1000
!
multilink virtual-template 1
!
interface Serial0
  encapsulation ppp
  ppp authentication chap
  ppp multilink
  ppp multilink multiclass
```

The following example configures MLP interleaving and a maximum real-time traffic delay of 20 milliseconds on a multilink interface. MCMP is then configured on a member link, Serial1, and the member link is restricted to joining only the designated multilink group interface.

```
interface Multilink1
  ip address 10.2.3.4 255.255.255.0
  ppp multilink
  ppp multilink interleave
  ppp multilink fragment delay 20
!
interface Serial1
  encapsulation ppp
  ppp authentication chap
  ppp multilink
  ppp multilink multiclass
  ppp multilink group 1
```

Command Reference

The following commands are introduced or modified in the feature or features documented in this module. For information about these commands, see the *Cisco IOS Dial Technologies Command Reference* at http://www.cisco.com/en/US/docs/ios/dial/command/reference/dia_book.html. For information about all Cisco IOS commands, go to the Command Lookup Tool at <http://tools.cisco.com/Support/CLILookup> or to the *Cisco IOS Master Commands List*.

- **ppp multilink multiclass**
- **show ppp multilin**

Cisco and the Cisco Logo are trademarks of Cisco Systems, Inc. and/or its affiliates in the U.S. and other countries. A listing of Cisco's trademarks can be found at www.cisco.com/go/trademarks. Third party trademarks mentioned are the property of their respective owners. The use of the word partner does not imply a partnership relationship between Cisco and any other company. (1005R)

Any Internet Protocol (IP) addresses and phone numbers used in this document are not intended to be actual addresses and phone numbers. Any examples, command display output, network topology diagrams, and other figures included in the document are shown for illustrative purposes only.

Any use of actual IP addresses or phone numbers in illustrative content is unintentional and coincidental.

© 2008–2009 Cisco Systems, Inc. All rights reserved.



Configuring Media-Independent PPP and Multilink PPP

First Published: May 10, 2001

Last Updated: February 1, 2010

This module describes how to configure PPP and Multilink PPP (MLP) features on any interface.

This module also describes address pooling for point-to-point links, which is available on all asynchronous serial, synchronous serial, and ISDN interfaces.

Multilink PPP provides a method for spreading traffic across multiple physical WAN links.

For a complete description of the PPP commands in this module, refer to the [Cisco IOS Dial Technologies Command Reference](#).

Finding Feature Information

Your software release may not support all the features documented in this module. For the latest feature information and caveats, see the release notes for your platform and software release. To find information about the features documented in this module, and to see a list of the releases in which each feature is supported, see the [“Feature Information for Configuring Media-Independent PPP and Multilink PPP” section on page 1033](#).

Use Cisco Feature Navigator to find information about platform support and Cisco IOS and Catalyst OS software image support. To access Cisco Feature Navigator, go to <http://www.cisco.com/go/cfn>. An account on Cisco.com is not required.

Contents

- [Information About Media-Independent PPP and Multilink PPP, page 986](#)
- [How to Configure Media-Independent PPP and Multilink PPP, page 990](#)
- [Configuration Examples for PPP and MLP, page 1020](#)
- [Additional References, page 1031](#)



Americas Headquarters:
Cisco Systems, Inc., 170 West Tasman Drive, San Jose, CA 95134-1706 USA

- [Feature Information for Configuring Media-Independent PPP and Multilink PPP, page 1033](#)

Prerequisites for Media-Independent PPP and Multilink PPP

- You must understand PPP and multilink operations.

Information About Media-Independent PPP and Multilink PPP

To configure the Media-Independent PPP and Multilink PPP, you should understand the following concepts:

- [Point-to-Point Protocol, page 986](#)
- [CHAP or PPP Authentication, page 986](#)
- [Microsoft Point-to-Point Compression, page 987](#)
- [IP Address Pooling, page 988](#)

Point-to-Point Protocol

Point-to-Point Protocol (PPP), described in RFC 1661, encapsulates network layer protocol information over point-to-point links. You can configure PPP on the following types of physical interfaces:

- Asynchronous serial
- High-Speed Serial Interface (HSSI)
- ISDN
- Synchronous serial

Challenge Handshake Authentication Protocol (CHAP), Microsoft Challenge Handshake Authentication Protocol (MS-CHAP), or Password Authentication Protocol (PAP) Magic Number support is available on all serial interfaces. PPP always attempts to negotiate for Magic Numbers, which are used to detect looped-back lines. Depending on how the **down-when-looped** command is configured, the router might shut down a link if it detects a loop.

CHAP or PPP Authentication

PPP with CHAP or PAP authentication is often used to inform the central site about which remote routers are connected to it.

With this authentication information, if the router or access server receives another packet for a destination to which it is already connected, it does not place an additional call. However, if the router or access server is using rotaries, it sends the packet out the correct port.

CHAP and PAP were originally specified in RFC 1334, and CHAP was updated in RFC 1994. These protocols are supported on synchronous and asynchronous serial interfaces. When using CHAP or PAP authentication, each router or access server identifies itself by a *name*. This identification process prevents a router from placing another call to a router to which it is already connected, and also prevents unauthorized access.

Access control using CHAP or PAP is available on all serial interfaces that use PPP encapsulation. The authentication feature reduces the risk of security violations on your router or access server. You can configure either CHAP or PAP for the interface.

**Note**

To use CHAP or PAP, you must be running PPP encapsulation.

When CHAP is enabled on an interface and a remote device attempts to connect to it, the local router or access server sends a CHAP packet to the remote device. The CHAP packet requests or “challenges” the remote device to respond. The challenge packet consists of an ID, a random number, and the hostname of the local router.

The required response has two parts:

- An encrypted version of the ID, a secret password, and the random number
- Either the hostname of the remote device or the name of the user on the remote device

When the local router or access server receives the response, it verifies the secret password by performing the same encryption operation as indicated in the response and looking up the required hostname or username. The secret passwords must be identical on the remote device and the local router.

Because this response is sent, the password is never sent in clear text, preventing other devices from stealing it and gaining illegal access to the system. Without the proper response, the remote device cannot connect to the local router.

CHAP transactions occur only when a link is established. The local router or access server does not request a password during the rest of the call. (The local device can, however, respond to such requests from other devices during a call.)

When PAP is enabled, the remote router attempting to connect to the local router or access server is required to send an authentication request. The username and password specified in the authentication request are accepted, and the Cisco IOS software sends an authentication acknowledgment.

After you have enabled CHAP or PAP, the local router or access server requires authentication from remote devices. If the remote device does not support the enabled protocol, no traffic will be passed to that device.

To use CHAP or PAP, you must perform the following tasks:

- Enable PPP encapsulation.
- Enable CHAP or PAP on the interface.

For CHAP, configure hostname authentication and the secret password for each remote system with which authentication is required.

Microsoft Point-to-Point Compression

Microsoft Point-to-Point Compression (MPPC) is a scheme used to compress PPP packets between Cisco and Microsoft client devices. The MPPC algorithm is designed to optimize bandwidth utilization in order to support multiple simultaneous connections. The MPPC algorithm uses a Lempel-Ziv (LZ)-based algorithm with a continuous history buffer called a dictionary.

The Compression Control Protocol (CCP) configuration option for MPPC is 18.

Exactly one MPPC datagram is encapsulated in the PPP information field. The PPP protocol field indicates the hexadecimal type of 00FD for all compressed datagrams. The maximum length of the MPPC datagram sent over PPP is the same as the MTU of the PPP interface; however, this length cannot be greater than 8192 bytes because the history buffer is limited to 8192 bytes. If compressing the data results in data expansion, the original data is sent as an uncompressed MPPC packet.

The history buffers between compressor and decompressor are synchronized by maintaining a 12-bit coherency count. If the decompressor detects that the coherency count is out of sequence, the following error recovery process is performed:

1. The Reset Request (RR) packet is sent from the decompressor.
2. The compressor then flushes the history buffer and sets the flushed bit in the next packet it sends.
3. Upon receiving the flushed bit set packet, the decompressor flushes the history buffer.

Synchronization is achieved without CCP using the Reset Acknowledge (RA) packet, which can consume additional time.

Compression negotiation between a router and a Windows 95 client occurs through the following process:

1. Windows 95 sends a request for both STAC (option 17) and MPPC (option 18) compression.
2. The router sends a negative acknowledgment (NAK) requesting only MPPC.
3. Windows 95 resends the request for MPPC.

The router sends an acknowledgment (ACK) confirming MPPC compression negotiation.

IP Address Pooling

A point-to-point interface must be able to provide a remote node with its IP address through the IP Control Protocol (IPCP) address negotiation process. The IP address can be obtained from a variety of sources. The address can be configured through the command line, entered with an EXEC-level command, provided by TACACS+ or the Dynamic Host Configuration Protocol (DHCP), or from a locally administered pool.

IP address pooling uses a pool of IP addresses from which an incoming interface can provide an IP address to a remote node through IPCP address negotiation process. IP address pooling also enhances configuration flexibility by allowing multiple types of pooling to be active simultaneously.

The IP address pooling feature allows configuration of a global default address pooling mechanism, per-interface configuration of the address pooling mechanism, and per-interface configuration of a specific address or pool name.

Peer Address Allocation

A peer IP address can be allocated to an interface through several methods:

- Dialer map lookup—This method is used only if the peer requests an IP address, no other peer IP address has been assigned, and the interface is a member of a dialer group.
- PPP or Serial Line Internet Protocol (SLIP) EXEC command—An asynchronous dialup user can enter a peer IP address or hostname when PPP or SLIP is invoked from the command line. The address is used for the current session and then discarded.
- IPCP negotiation—If the peer presents a peer IP address during IPCP address negotiation and no other peer address is assigned, the presented address is acknowledged and used in the current session.

- Default IP address.
- TACACS+ assigned IP address—During the authorization phase of IPCP address negotiation, TACACS+ can return an IP address that the user being authenticated on a dialup interface can use. This address overrides any default IP address and prevents pooling from taking place.
- DHCP retrieved IP address—If configured, the routers acts as a proxy client for the dialup user and retrieves an IP address from a DHCP server. That address is returned to the DHCP server when the timer expires or when the interface goes down.
- Local address pool—The local address pool contains a set of contiguous IP addresses (a maximum of 1024 addresses) stored in two queues. The free queue contains addresses available to be assigned and the used queue contains addresses that are in use. Addresses are stored to the free queue in first-in, first-out (FIFO) order to minimize the chance the address will be reused, and to allow a peer to reconnect using the same address that it used in the last connection. If the address is available, it is assigned; if not, another address from the free queue is assigned.
- Chat script (asynchronous serial interfaces only)—The IP address in the **dialer map** command entry that started the script is assigned to the interface and overrides any previously assigned peer IP address.
- Virtual terminal/protocol translation—The **translate** command can define the peer IP address for a virtual terminal (pseudo asynchronous interface).
- The pool configured for the interface is used, unless TACACS+ returns a pool name as part of authentication, authorization, and accounting (AAA). If no pool is associated with a given interface, the global pool named **default** is used.

Precedence Rules

The following precedence rules of peer IP address support determine which address is used. Precedence is listed from most likely to least likely:

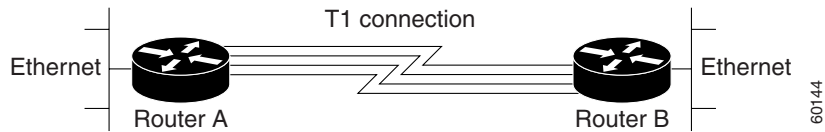
1. AAA/TACACS+ provided address or addresses from the pool named by AAA/TACACS+
2. An address from a local IP address pool or DHCP (typically not allocated unless no other address exists)
3. Dialer map lookup address (not done unless no other address exists)
4. Address from an EXEC-level PPP or SLIP command, or from a chat script
5. Configured address from the **peer default ip address** command or address from the protocol **translate** command
6. Peer-provided address from IPCP negotiation (not accepted unless no other address exists)

MLP on Synchronous Serial Interfaces

Address pooling is available on all asynchronous serial, synchronous serial, ISDN BRI, and ISDN PRI interfaces that are running PPP and PPPoX sessions.

MLP provides characteristics are most similar to hardware inverse multiplexers, with good manageability and Layer 3 services support. [Figure 1](#) shows a typical inverse multiplexing application using two Cisco routers and Multilink PPP over four T1 lines.

Figure 1 *Inverse Multiplexing Application Using Multilink PPP*



How to Configure Media-Independent PPP and Multilink PPP

This section includes the following procedures:

- [Configuring PPP and MLP, page 990](#)
- [Configuring MLP Interleaving and Queueing, page 1012](#)
- [Configuring MLP Inverse Multiplexer and Distributed MLP, page 1014](#)
- [Monitoring and Maintaining PPP and MLP Interfaces, page 1019](#)

Configuring PPP and MLP

Perform the following task in interface configuration mode to configure PPP on a serial interface (including ISDN). This task is required for PPP encapsulation.

- [Enabling PPP Encapsulation, page 990](#)

You can also complete the tasks in the following sections; these tasks are optional but offer a variety of uses and enhancements for PPP on your systems and networks:

- [Enabling CHAP or PAP Authentication, page 991](#)
- [Configuring Compression of PPP Data, page 993](#)
- [Configuring IP Address Pooling](#)
- [Disabling or Reenabling Peer Neighbor Routes](#)
- [Configuring Multilink PPP](#)
- [Configuring Multilink PPP](#)
- [Configuring MLP Interleaving](#)
- [Creating a Multilink Bundle](#)
- [Assigning an Interface to a Multilink Bundle](#)
- [Disabling PPP Multilink Fragmentation](#)

See the section “[Monitoring and Maintaining PPP and MLP Interfaces](#)” section on page 1019 for tips on maintaining PPP. See the “[Configuration Examples for PPP and MLP](#)” section on page 1020 to understand how to implement PPP and MLP in your network.

Enabling PPP Encapsulation

The **encapsulation ppp** command enables PPP on serial lines to encapsulate IP and other network protocol datagrams.

SUMMARY STEPS

1. `enable`
2. `configure terminal`
3. `configure fastethernet number`
4. `encapsulation ppp`
5. `end`

DETAILED STEPS

	Command or Action	Purpose
Step 1	<code>enable</code> Example: Router> <code>enable</code>	Enables privileged EXEC mode. <ul style="list-style-type: none">• Enter your password if prompted.
Step 2	<code>configure terminal</code> Example: Router# <code>configure terminal</code>	Enters global configuration mode.
Step 3	<code>interface fastethernet number</code> Example: Router(config)# <code>interface fastethernet 0/0</code>	Enters interface configuration mode.
Step 4	<code>encapsulation ppp</code> Example: Router(config-if) # <code>encapsulation ppp</code>	Enables PPP encapsulation. Note
Step 5	<code>end</code> Example: Router(config-if)# <code>end</code>	Exits interface configuration mode.

Enabling CHAP or PAP Authentication

To enable CHAP or PAP authentication, perform the steps mentioned in this section.

**Caution**

If you use a list name that has not been configured with the `aaa authentication ppp` command, you disable PPP on the line.

For an example of CHAP, see the section ““[CHAP with an Encrypted Password: Examples](#)” section on [page 1020](#)”. CHAP is specified in RFC 1994, *PPP Challenge Handshake Authentication Protocol (CHAP)*.

For information about MS-CHAP, see [MS-CHAP Support](#).

SUMMARY STEPS

1. **enable**
2. **configure terminal**
3. **interface fastethernet** *number*
4. **ppp authentication** { **chap** | **chap pap** | **pap chap** | **pap** } [**if-needed**] [*list-name* | **default**] [**callin**]
5. **ppp use-tacacs** [**single-line**]
or
aaa authentication ppp
6. **exit**
7. **username** *name* [**user-maxlinks** *link-number*] **password** *secret*
8. **end**

DETAILED STEPS

	Command or Action	Purpose
Step 1	enable Example: Router> enable	Enables privileged EXEC mode. <ul style="list-style-type: none">• Enter your password if prompted.
Step 2	configure terminal Example: Router# configure terminal	Enters global configuration mode.
Step 3	interface fastethernet <i>number</i> Example: Router(config)# interface fastethernet 0/0	Enters Interface Configuration mode.
Step 4	ppp authentication { chap chap pap pap chap pap } [if-needed] [<i>list-name</i> default] [callin] Example: Router(config-if)# ppp authentication chap	Defines the authentication methods supported and the order in which they are used. Note Use the ppp authentication chap command only with TACACS or extended TACACS. Note With AAA configured on the router and list names defined for AAA, the <i>list-name</i> optional argument can be used with AAA/TACACS+. Use the ppp use-tacacs command with TACACS and Extended TACACS. Use the aaa authentication ppp command with AAA/TACACS+.

	Command or Action	Purpose
Step 5	<pre>ppp use-tacacs [single-line] or aaa authentication ppp</pre> <p>Example: Router(config-if)# ppp use-tacacs single-line OR Router(config-if)# aaa authentication ppp</p>	Configure TACACS on a specific interface as an alternative to global host authentication.
Step 6	<pre>exit</pre> <p>Example: Router(config-if)# exit</p>	Exits interface configuration mode.
Step 7	<pre>username name [user-maxlinks link-number] password secret</pre> <p>Example: Router(config)# username name user-maxlinks 1 password password1</p>	Configures identification. <ul style="list-style-type: none"> Optionally, you can specify the maximum number of connections a user can establish. To use the user-maxlinks keyword, you must also use the aaa authorization network default local command and PPP encapsulation and name authentication on all the interfaces the user will be accessing.
Step 8	<pre>end</pre> <p>Example: Router(config)# end</p>	Exits global configuration mode and enters privileged EXEC mode.

Configuring Compression of PPP Data

You can configure point-to-point software compression on serial interfaces that use PPP encapsulation. Compression reduces the size of a PPP frame via lossless data compression. PPP encapsulations support both predictor and Stacker compression algorithms.

If most of your traffic is already compressed files, do not use compression.

To configure compression of PPP data, perform the steps in this section.

Software Compression

Software compression is available on all router platforms. Software compression is performed by the main processor in the router.

Compression is performed in software and might significantly affect system performance. We recommend that you disable compression if the router CPU load exceeds 65 percent. To display the CPU load, use the **show process cpu EXEC** command.

SUMMARY STEPS

1. **enable**
2. **configure terminal**

3. `interface fastethernet number`
4. `encapsulation PPP`
5. `compress [predictor | stac | mppc [ignore-pfc]]`
6. `end`

DETAILED STEPS

	Command or Action	Purpose
Step 1	<code>enable</code> Example: Router> enable	Enables privileged EXEC mode. <ul style="list-style-type: none"> • Enter your password if prompted.
Step 2	<code>configure terminal</code> Example: Router# configure terminal	Enters global configuration mode.
Step 3	<code>interface fastethernet <i>number</i></code> Example: Router(config)# interface fastethernet 0/0	Enters interface configuration mode.
Step 4	<code>encapsulation ppp</code> Example: Router(config-if)# encapsulation ppp	Enables encapsulation of a single protocol on the serial line.
Step 5	<code>compress [predictor stac mppc [ignore-pfc]]</code> Example: Router(config-if)# compress predictor	Enables compression.
Step 6	<code>end</code> Example: Router(config-if)# end	Exits interface configuration mode.

Configuring Microsoft Point-to-Point Compression

Perform this task to configure MPCC. This will help you set MPPC once PPP encapsulation is configured on the router.

Prerequisites

Ensure that PPP encapsulation is enabled before you configure MPPC. For information on how to configure PPP encapsulation, see the [“Enabling PPP Encapsulation” section on page 990](#).

Restrictions

The following restrictions apply to the MPPC feature:

- MPPC is supported only with PPP encapsulation.
- Compression can be processor intensive because it requires a reserved block of memory to maintain the history buffer. Do not enable modem or hardware compression because it may cause performance degradation, compression failure, or data expansion.
- Both ends of the point-to-point link must be using the same compression method (STAC, Predictor, or MPPC, for example).

SUMMARY STEPS

1. **enable**
2. **configure terminal**
3. **interface serial *number***
4. **compress [mppc [ignore-pfc]]**

DETAILED STEPS

	Command or Action	Purpose
Step 1	enable Example: Router> enable	Enables privileged EXEC mode. <ul style="list-style-type: none"> • Enter your password if prompted.
Step 2	configure terminal Example: Router# configure terminal	Enters global configuration mode.
Step 3	interface serial <i>number</i> Example: Router(config)# interface serial 2/0	Enters interface configuration mode.
Step 4	compress [mppc [ignore-pfc]] Example: Router(config-if)# compress mppc	Enables encapsulation of a single protocol on the serial line. <ul style="list-style-type: none"> • The ignore-pfc keyword instructs the router to ignore the protocol field compression flag negotiated by Link Control Protocol (LCP). For example, the uncompressed standard protocol field value for IP is 0x0021 and 0x21 when compression is enabled. When the ignore-pfc option is enabled, the router will continue to use the uncompressed value (0x0021). Using the ignore-pfc option is helpful for some asynchronous driver devices that use an uncompressed protocol field (0x0021), even though the protocol field compression is negotiated between peers.

Examples

Following is sample **debug ppp negotiation** command output showing protocol reject:

```
PPP Async2: protocol reject received for protocol = 0x2145
PPP Async2: protocol reject received for protocol = 0x2145
PPP Async2: protocol reject received for protocol = 0x2145
```

Configuring IP Address Pooling

You can define the type of IP address pooling mechanism used on router interfaces in one or both of the ways described in the following sections:

- [Defining the Global Default Address Pooling Mechanism, page 996](#)
- [Configuring IP Address Assignment, page 999](#)

Defining the Global Default Address Pooling Mechanism

The global default mechanism applies to all point-to-point interfaces that support PPP encapsulation and that have not otherwise been configured for IP address pooling. You can define the global default mechanism to be either DHCP or local address pooling.

To configure the global default mechanism for IP address pooling, perform the tasks in the following sections:

- [Defining DHCP as the Global Default Mechanism, page 996](#)
- [Defining Local Address Pooling as the Global Default Mechanism, page 997](#)

After you have defined a global default mechanism, you can disable it on a specific interface by configuring the interface for some other pooling mechanism. You can define a local pool other than the default pool for the interface or you can configure the interface with a specific IP address to be used for dial-in peers.

You can also control the DHCP network discovery mechanism; see the following section for more information:

- [Controlling DHCP Network Discovery, page 998](#)

Defining DHCP as the Global Default Mechanism

DHCP specifies the following components:

- A DHCP server—A host-based DHCP server configured to accept and process requests for temporary IP addresses.
- A DHCP proxy client—A Cisco access server configured to arbitrate DHCP calls between the DHCP server and the DHCP client. The DHCP client-proxy feature manages a pool of IP addresses available to dial-in clients without a known IP address.

Perform this task to enable DHCP as the global default mechanism.

SUMMARY STEPS

1. **enable**
2. **configure terminal**
3. **ip address-pool dhcp-proxy-client**
4. **ip dhcp-server** [*ip-address* | *name*]
5. **end**

DETAILED STEPS

	Command or Action	Purpose
Step 1	<p>enable</p> <p>Example: Router> enable</p>	<p>Enables privileged EXEC mode.</p> <ul style="list-style-type: none"> Enter your password if prompted.
Step 2	<p>configure terminal</p> <p>Example: Router# configure terminal</p>	<p>Enters global configuration mode.</p>
Step 3	<p>ip address-pool dhcp-proxy-client</p> <p>Example: Router(config)# ip address-pool dhcp-proxy-client</p>	<p>Specifies the DHCP client-proxy feature as the global default mechanism.</p> <ul style="list-style-type: none"> The peer default ip address command and the member peer default ip address command can be used to define default peer IP addresses. <p>Note You can provide as few as one or as many as ten DHCP servers for the proxy client (the Cisco router or access server) to use. The DHCP servers provide temporary IP addresses.</p>
Step 4	<p>ip dhcp-server [<i>ip-address</i> <i>name</i>]</p> <p>Example: Router(config)# ip dhcp-server 209.165.201.1</p>	<p>(Optional) Specifies the IP address of a DHCP server for the proxy client to use.</p>
Step 5	<p>end</p> <p>Example: Router(config)# end</p>	<p>Exits global configuration mode.</p>

Defining Local Address Pooling as the Global Default Mechanism

Perform this task to define local address pooling as the global default mechanism.



Note

If no other pool is defined, a local pool called “default” is used. Optionally, you can associate an address pool with a named pool group.

SUMMARY STEPS

- enable**
- configure terminal**
- ip address-pool local**
- ip local pool** {*named-address-pool* | **default**} *first-IP-address* [*last-IP-address*] [**group** *group-name*] [*cache-size size*]

DETAILED STEPS

	Command or Action	Purpose
Step 1	enable Example: Router> enable	Enables privileged EXEC mode. <ul style="list-style-type: none"> Enter your password if prompted.
Step 2	configure terminal Example: Router# configure terminal	Enters global configuration mode.
Step 3	ip address-pool local Example: Router(config)# ip address-pool local	Specifies local address pooling as the global default mechanism.
Step 4	ip local pool { <i>named-address-pool</i> default } <i>first-IP-address</i> [<i>last-IP-address</i>] [group <i>group-name</i>] [cache-size <i>size</i>] Example: Router(config)# ip local pool default 192.0.2.1	Creates one or more local IP address pools.

Controlling DHCP Network Discovery

Perform the steps in this section to allow peer routers to dynamically discover Domain Name System (DNS) and NetBIOS name server information configured on a DHCP server using PPP IPCP extensions.

The **ip dhcp-client network-discovery** global configuration command provides a way to control the DHCP network discovery mechanism. The number of DHCP Inform or Discovery messages can be set to 1 or 2, which determines how many times the system sends the DHCP Inform or Discover messages before stopping network discovery. You can set a timeout period from 3 to 15 seconds, or leave the default timeout period at 15 seconds. The default for the **informs** and **discovers** keywords is 0, which disables the transmission of these messages.

SUMMARY STEPS

- enable**
- configure terminal**
- ip dhcp-client network-discovery informs** *number-of-messages* **discovers** *number-of-messages* **period** *seconds*

DETAILED STEPS

	Command or Action	Purpose
Step 1	enable Example: Router> enable	Enables privileged EXEC mode. <ul style="list-style-type: none"> Enter your password if prompted.
Step 2	configure terminal Example: Router# configure terminal	Enters global configuration mode.
Step 3	ip dhcp-client network-discovery informs <i>number-of-messages</i> discovers <i>number-of-messages</i> period <i>seconds</i> Example: Router(config)# ip dhcp-client network-discovery informs 2 discovers 2 period 2	Provides control of the DHCP network discovery mechanism by allowing the number of DHCP Inform and Discover messages to be sent, and a timeout period for retransmission, to be configured.

Configuring IP Address Assignment

Perform this task to configure IP address alignment.

After you have defined a global default mechanism for assigning IP addresses to dial-in peers, you can configure the few interfaces for which it is important to have a nondefault configuration. You can do any of the following;

- Define a nondefault address pool for use by a specific interface.
- Define DHCP on an interface even if you have defined local pooling as the global default mechanism.
- Specify one IP address to be assigned to all dial-in peers on an interface.
- Make temporary IP addresses available on a per-interface basis to asynchronous clients using SLIP or PPP.

SUMMARY STEPS

- enable**
- configure terminal**
- ip local pool** {*named-address-pool* | **default**} {*first-IP-address* [*last-IP-address*]} [**group** *group-name*] [*cache-size size*]
- interface** *type number*
- peer default ip address pool** *pool-name-list*
- peer default ip address pool dhcp**
- peer default ip address** *ip-address*

DETAILED STEPS

	Command or Action	Purpose
Step 1	enable Example: Router> enable	Enables privileged EXEC mode. <ul style="list-style-type: none">Enter your password if prompted.
Step 2	configure terminal Example: Router# configure terminal	Enters global configuration mode.
Step 3	ip local pool { <i>named-address-pool</i> default } { <i>first-IP-address</i> [<i>last-IP-address</i>]} [group <i>group-name</i>] [cache-size <i>size</i>] Example: Router(config)# ip local pool default 192.0.2.0	Creates one or more local IP address pools.
Step 4	interface <i>type number</i> Example: Router(config)# interface ethernet 2/0	Specifies the interface and enters interface configuration mode.
Step 5	peer default ip address pool <i>pool-name-list</i> Example: Router(config-if)# peer default ip address pool 2	Specifies the pool or pools for the interface to use.
Step 6	peer default ip address pool dhcp Example: Router(config-if)# peer default ip address pool dhcp	Specifies DHCP as the IP address mechanism on this interface.
Step 7	peer default ip address <i>ip-address</i> Example: Router(config-if)# peer default ip address 192.0.2.2	Specifies the IP address to assign to all dial-in peers on an interface.

Troubleshooting PPP

You can troubleshoot PPP reliable link by using the **debug lapb** command and the **debug ppp negotiations**, **debug ppp errors**, and **debug ppp packets** commands. You can determine whether Link Access Procedure, Balanced (LAPB) has been established on a connection by using the **show interface** command.

Disabling or Reenabling Peer Neighbor Routes

The Cisco IOS software automatically creates neighbor routes by default; that is, it automatically sets up a route to the peer address on a point-to-point interface when the PPP IPCP negotiation is completed.

To disable this default behavior or to reenabling it once it has been disabled, perform the following task:

SUMMARY STEPS

1. **enable**
2. **configure terminal**
3. **interface** *type number*
4. **no peer neighbor-route**
5. **peer neighbor-route**

DETAILED STEPS

	Command or Action	Purpose
Step 1	enable Example: Router> enable	Enables privileged EXEC mode. <ul style="list-style-type: none"> • Enter your password if prompted.
Step 2	configure terminal Example: Router# configure terminal	Enters global configuration mode.
Step 3	interface <i>type number</i> Example: Router(config)# interface ethernet 0/1	Specifies the interface and enters interface configuration mode.
Step 4	no peer neighbor-route Example: Router(config-if)# no peer neighbor-route	Disables creation of neighbor routes.
Step 5	peer neighbor-route Example: Router(config-if)# peer neighbor-route	Reenables creation of neighbor routes. Note If entered on a dialer or asynchronous group interface, this command affects all member interfaces.

Configuring Multilink PPP

The Multilink PPP feature provides load balancing functionality over multiple WAN links, while providing multivendor interoperability, packet fragmentation and proper sequencing, and load calculation on both inbound and outbound traffic. The Cisco implementation of MLP supports the fragmentation and packet sequencing specifications in RFC 1990. Additionally, you can change the default endpoint discriminator value that is supplied as part of user authentication. Refer to RFC 1990 for more information about the endpoint discriminator.

MLP allows packets to be fragmented and the fragments to be sent at the same time over multiple point-to-point links to the same remote address. The multiple links come up in response to a defined dialer load threshold. The load can be calculated on inbound traffic, outbound traffic, or on either, as needed for the traffic between the specific sites. MLP provides bandwidth on demand and reduces transmission latency across WAN links.

MLP is designed to work over synchronous and asynchronous serial and BRI and PRI types of single or multiple interfaces that have been configured to support both dial-on-demand rotary groups and PPP encapsulation.

Perform the tasks in the following sections, as required for your network, to configure MLP:

- [Configuring MLP on Synchronous Interfaces, page 1002](#)
- [Configuring MLP on Asynchronous Interfaces, page 1003](#)
- [Configuring MLP on a Single ISDN BRI Interface, page 1005](#)
- [Configuring MLP on Multiple ISDN BRI Interfaces, page 1007](#)
- [Configuring MLP Using Multilink Group Interfaces, page 1009](#)
- [Changing the Default Endpoint Discriminator, page 1011](#)

Configuring MLP on Synchronous Interfaces

To configure Multilink PPP on synchronous interfaces, you configure the synchronous interfaces to support PPP encapsulation and Multilink PPP.

Perform this task to configure a synchronous interface.

SUMMARY STEPS

1. **enable**
2. **configuration terminal**
3. **interface serial 1**
4. **no ip address**
5. **encapsulation ppp**
6. **ppp multilink**
7. **pulse-time *seconds***

DETAILED STEPS

	Command or Action	Purpose
Step 1	enable Example: Router> enable	Enables privileged EXEC mode. <ul style="list-style-type: none"> • Enter your password if prompted.
Step 2	configure terminal Example: Router# configure terminal	Enters global configuration mode.

	Command or Action	Purpose
Step 3	interface serial <i>number</i> Example: Router(config)# interface serial 1	Specifies an asynchronous interface and enters interface configuration mode.
Step 4	no ip address Example: Router(config-if)# no ip address	Specifies no IP address for the interface.
Step 5	encapsulation ppp Example: Router(config-if)# encapsulation ppp	Enables PPP encapsulation.
Step 6	ppp multilink Example: Router(config-if)# ppp multilink	Enables Multilink PPP.
Step 7	pulse-time <i>seconds</i> Example: Router(config-if)# pulse-time 60	Enables pulsing data terminal ready (DTR) signal intervals on an interface. Note Repeat these steps for additional synchronous interfaces, as needed.

Configuring MLP on Asynchronous Interfaces

Perform the following steps in this section to configure an asynchronous interface to support DDR and PPP encapsulation and then configure a dialer interface to support PPP encapsulation, bandwidth on demand, and Multilink PPP.

At some point, adding more asynchronous interfaces does not improve performance. With the default maximum transmission unit (MTU) size, MLP should support three asynchronous interfaces using V.34 modems. However, packets might be dropped occasionally if the maximum transmission unit (MTU) size is small or large bursts of short frames occur.



Note

To configure a dialer interface to support PPP encapsulation and Multilink PPP, use the **dialer load-threshold** command.

SUMMARY STEPS

1. **enable**
2. **configure terminal**
3. **interface async** *number*
4. **no ip address**
5. **dialer in-band**
6. **dialer rotary-group** *number*
7. **dialer load-threshold** *load* [**inbound** | **outbound** | **either**]

8. ppp multilink

DETAILED STEPS

	Command or Action	Purpose
Step 1	enable Example: Router> enable	Enables privileged EXEC mode. <ul style="list-style-type: none">Enter your password if prompted.
Step 2	configure terminal Example: Router# configure terminal	Enters global configuration mode.
Step 3	interface async number Example: Router(config)# interface async 0/0	Specifies an asynchronous interface and enters interface configuration mode.
Step 4	no ip address Example: Router(config-if)# no ip address	Specifies no IP address for the interface.
Step 5	Router(config-if)# encapsulation ppp Example: Router# configure terminal	Enables PPP encapsulation.
Step 6	dialer in-band Example: Router(config-if)# encapsulation ppp	Enables DDR on the interface.
Step 7	dialer rotary-group number Example: Router(config-if)# dialer rotary-group 1	Includes the interface in a specific dialer rotary group.
Step 8	dialer load-threshold load [inbound outbound either] Example: Router(config-if)# dialer load-threshold 100	Configures bandwidth on demand by specifying the maximum load before the dialer places another call to a destination.
Step 9	ppp multilink Example: Router(config-if)# ppp multilink	Enables Multilink PPP.

Configuring MLP on a Single ISDN BRI Interface

To enable MLP on a single ISDN BRI interface, you are not required to define a dialer rotary group separately because ISDN interfaces are dialer rotary groups by default.

Perform this task to enable PPP on an ISDN BRI interface.

If you do not use PPP authentication procedures (Step 8), your telephone service must pass caller ID information.

The load threshold number is required. For an example of configuring MLP on a single ISDN BRI interface, see the [“MLP on One ISDN BRI Interface: Example”](#) section on page 1027.



Note

When MLP is configured and you want a multilink bundle to be connected indefinitely, use the **dialer idle-timeout** command to set a high idle timer. The **dialer-load threshold 1** command does not keep a multilink bundle of *n* links connected indefinitely, and the **dialer-load threshold 2** command does not keep a multilink bundle of two links connected indefinitely.

SUMMARY STEPS

1. **enable**
2. **configure terminal**
3. **interface bri** *number*
4. **ip address** *ip-address mask* [**secondary**]
5. **encapsulation ppp**
6. **dialer idle-timeout** *seconds* [**inbound** | **either**]
7. **dialer load-threshold** *load*
8. **dialer map** *protocol next-hop-address* [**name** *hostname*] [**spc**] [**speed 56** | **64**] [**broadcast**] [*dial-string[:isdn-subaddress]*]
9. **dialer-group** *group-number*
10. **ppp authentication pap**
11. **ppp multilink**

DETAILED STEPS

	Command or Action	Purpose
Step 1	enable Example: Router> enable	Enables privileged EXEC mode. <ul style="list-style-type: none"> • Enter your password if prompted.
Step 2	configure terminal Example: Router# configure terminal	Enters global configuration mode.

	Command or Action	Purpose
Step 3	interface <i>bri number</i> Example: Router(config)# interface bri 1	Specifies an interface and enters interface configuration mode.
Step 4	ip address <i>ip-address mask [secondary]</i> Example: Router(config-if)# ip address 192.0.2.0 255.255.255.224	Provides an appropriate protocol address for the interface.
Step 5	encapsulation ppp Example: Router(config-if)# encapsulation ppp	Enables PPP encapsulation.
Step 6	dialer idle-timeout <i>seconds [inbound either]</i> Example: Router(config-if)# dialer idle-timeout 60	Specifies the duration of idle time in seconds after which a line will be disconnected. <ul style="list-style-type: none"> By default, outbound traffic will reset the dialer idle timer. Adding the either keyword causes both inbound and outbound traffic to reset the timer; adding the inbound keyword causes only inbound traffic to reset the timer.
Step 7	dialer load-threshold <i>load</i> Example: Router(config-if)# dialer load-threshold 60	Specifies the dialer load threshold for bringing up additional WAN links.
Step 8	dialer map <i>protocol next-hop-address [name hostname] [spc] [speed 56 64] [broadcast] [dial-string[:isdn-subaddress]]</i> Example: Router(config-if)# dialer map protocol 192.0.2.1	Configures the ISDN interface to call the remote site.
Step 9	dialer-group <i>group-number</i> Example: Router(config-if)# dialer-group 3	Controls access to this interface by adding it to a dialer access group.
Step 10	ppp authentication pap Example: Router(config-if)# ppp authentication pap	(Optional) Enables PPP authentication.
Step 11	ppp multilink Example: Router(config-if)# ppp multilink	Configures MLP on the dialer rotary group.

Configuring MLP on Multiple ISDN BRI Interfaces

To enable MLP on multiple ISDN BRI interfaces, set up a dialer rotary interface and configure it for Multilink PPP, and then configure the BRI interfaces separately and add them to the same rotary group.

To set up the dialer rotary interface for the BRI interfaces, perform the following task:

SUMMARY STEPS

1. **enable**
2. **configure terminal**
3. **interface** *dialer number*
4. **ip address** *address mask*
5. **encapsulation ppp**
6. **dialer in-band**
7. **dialer idle-timeout** *seconds* [**inbound** | **either**]
8. **dialer map** *protocol next-hop-address* [**name** *hostname*] [**spc**] [**speed** **56** | **64**] [**broadcast**] [*dial-string[:isdn-subaddress]*]
9. **dialer rotary-group** *number*
10. **dialer load-threshold** *load*
11. **dialer-group** *number*
12. **ppp authentication chap**
13. **ppp multilink**

DETAILED STEPS

	Command or Action	Purpose
Step 1	enable Example: Router> enable	Enables privileged EXEC mode. <ul style="list-style-type: none">• Enter your password if prompted.
Step 2	configure terminal Example: Router# configure terminal	Enters global configuration mode.
Step 3	interface dialer <i>number</i> Example: Router(config)# interface dialer 1	Specifies the dialer rotary interface and enters interface configuration mode.
Step 4	ip address <i>address mask</i> Example: Router(config-if)# ip address 192.0.2.0 255.255.255.224	Specifies the protocol address for the dialer rotary interface.

	Command or Action	Purpose
Step 5	encapsulation ppp Example: Router(config-if)# encapsulation ppp	Enables PPP encapsulation.
Step 6	dialer in-band Example: Router(config-if)# dialer in-band	Specifies in-band dialing.
Step 7	dialer idle-timeout seconds [inbound either] Example: Router(config-if)# dialer idle-timeout 60	Specifies the duration of idle time in seconds after which a line will be disconnected. <ul style="list-style-type: none"> By default, outbound traffic will reset the dialer idle timer. Adding the either keyword causes both inbound and outbound traffic to reset the timer; adding the inbound keyword causes only inbound traffic to reset the timer.
Step 8	dialer map protocol next-hop-address [name hostname] [spc] [speed 56 64] [broadcast] [dial-string[:isdn-subaddress]] Example: Router(config-if)# dialer map protocol 192.0.2.1	Maps the next hop protocol address and name to the dial string needed to reach it.
Step 9	dialer rotary-group number Example: Router(config-if)# dialer rotary-group 1	Adds the interface to the rotary group.
Step 10	dialer load-threshold load Example: Router(config-if)# dialer load-threshold 2	Specifies the dialer load threshold, using the same threshold as the individual BRI interfaces.
Step 11	dialer-group number Example: Router(config-if)# dialer-group 2	Controls access to the interface by adding it to a dialer access group.
Step 12	ppp authentication chap Example: Router(config-if)# ppp authentication chap	(Optional) Enables PPP CHAP authentication.
Step 13	ppp multilink Example: Router(config-if)# ppp multilink	Enables Multilink PPP.

If you do not use PPP authentication procedures (Step 10), your telephone service must pass caller ID information.

Repeat Steps 1 through 9 for each BRI that you want to belong to the same dialer rotary group.

When MLP is configured and you want a multilink bundle to be connected indefinitely, use the **dialer idle-timeout** command to set a very high idle timer. The **dialer load-threshold 1** command does not keep a multilink bundle of *n* links connected indefinitely and the **dialer load-threshold 2** command does not keep a multilink bundle of two links connected indefinitely.)

**Note**

Prior to Cisco IOS Release 12.1, when MLP was used in a dialer profile, a virtual access interface was always created as the bundle. It was bound to both the B channel and the dialer profile interfaces after creation and cloning. The dialer profile interface could act as the bundle without help from a virtual access interface. But with the Dynamic Multiple Encapsulations feature available in Cisco IOS Release 12.1, it is no longer the virtual access interface that is added into the connected group of the dialer profile, but the dialer profile itself. The dialer profile becomes a connected member of its own connected group. See the “Dynamic Multiple Encapsulations over ISDN Example” in the module “Configuring Peer-to-Peer DDR with Dialer Profiles” in this module, for more information about dynamic multiple encapsulations and its relation to Multilink PPP.

For an example of configuring MLP on multiple ISDN BRI interfaces, see the section [“MLP on Multiple ISDN BRI Interfaces: Example” section on page 1027](#).

Configuring MLP Using Multilink Group Interfaces

MLP can be configured by assigning a multilink group to a virtual template configuration. Virtual templates allow a virtual access interface to dynamically clone interface parameters from the specified virtual template. If a multilink group is assigned to a virtual template, and then the virtual template is assigned to a physical interface, all links that pass through the physical interface will belong to the same multilink bundle.

**Note**

If a multilink group interface has one member link, the amount of bandwidth available will not change when a multilink interface is shut down. Therefore, you can shut down the multilink interface by removing its link.

A multilink group interface configuration will override a global multilink virtual template configured with the **multilink virtual template** command.

Multilink group interfaces can be used with ATM, PPP over Frame Relay, and serial interfaces.

To configure MLP using a multilink group interface, perform the following tasks:

- Configure the multilink group.
- Assign the multilink group to a virtual template.
- Configure the physical interface to use the virtual template.

Perform the following tasks in this section to configure the multilink group. For an example of how to configure MLP over an ATM PVC using a multilink group, see the section [“MLP Using Multilink Group Interfaces over ATM: Example” section on page 1028](#).

SUMMARY STEPS

1. **enable**
2. **configure terminal**
3. **interface multilink** *group-number*

4. **ip address** *address mask*
5. **encapsulation ppp**
6. **exit**
7. **interface virtual template** *number*
8. **ppp multilink group** *group-number*
9. **exit**
10. **interface atm** *interface-number.subinterface-number* **point-to-point**
11. **pvc** *vpilvli*
12. **protocol ppp virtual-template** *name*
13. **end**

DETAILED STEPS

	Command or Action	Purpose
Step 1	enable Example: Router> enable	Enables privileged EXEC mode. <ul style="list-style-type: none"> • Enter your password if prompted.
Step 2	configure terminal Example: Router# configure terminal	Enters global configuration mode.
Step 3	interface multilink <i>group-number</i> Example: Router(config)# interface multilink 2	Creates a multilink bundle and enters interface configuration mode to configure the bundle.
Step 4	ip address <i>address mask</i> Example: Router(config-if)# ip address 192.0.2.1 255.255.255.224	Sets a primary IP address for an interface.
Step 5	encapsulation ppp Example: Router(config-if)# encapsulation ppp	Enables PPP encapsulation.
Step 6	exit Example: Router(config-if)# exit	Exits interface configuration mode.
Step 7	interface virtual template <i>number</i> Example: Router(config)# interface virtual template 1	Creates a virtual template interface that can be configured and applied dynamically in creating virtual access interfaces, and enters interface configuration mode.

	Command or Action	Purpose
Step 8	ppp multilink group <i>group-number</i> Example: Router(config-if)# ppp multilink group 2	Restricts a physical link to joining only a designated multilink group interface.
Step 9	exit Example: Router(config-if)# exit	Exits interface configuration mode.
Step 10	interface atm <i>interface-number.subinterface-number</i> point-to-point Example: Router(config)# interface atm 1.2 point-to-point	Configures an ATM interface and enters interface configuration mode.
Step 11	pvc <i>vpi/vci</i> Example: Router(config-if)# pvc 1/100	Creates or assigns a name to an ATM permanent virtual circuit (PVC), specifies the encapsulation type on an ATM PVC, and enters ATM virtual circuit configuration mode.
Step 12	protocol ppp virtual-template <i>name</i> Example: Router(config-if-atm-vc)# protocol ppp virtual-template 2	Configures VC multiplexed encapsulation on a PVC.
Step 13	end Example: Router(config-if-atm-vc)# end	Exits ATM virtual circuit configuration mode.

Changing the Default Endpoint Discriminator

By default, when the system negotiates use of MLP with the peer, the value that is supplied for the endpoint discriminator is the same as the username used for authentication. That username is configured for the interface by the Cisco IOS **ppp chap hostname** or **ppp pap sent-username** command, or defaults to the globally configured hostname (or stack group name, if this interface is a Stack Group Bidding Protocol, or SGBP, group member).

Perform this task to override or change the default endpoint discriminator. For an example of how to change the default endpoint discriminator, see the [“Changing the Default Endpoint Discriminator: Example”](#) section on page 1029.

SUMMARY STEPS

1. **enable**
2. **configure terminal**
3. **interface virtual template** *number*

4. **ppp multilink endpoint** {hostname | ip *ipaddress* | mac *LAN-interface* | none | phone *telephone-number* | string *char-string*}

DETAILED STEPS

	Command or Action	Purpose
Step 1	enable Example: Router> enable	Enables privileged EXEC mode. <ul style="list-style-type: none"> Enter your password if prompted.
Step 2	configure terminal Example: Router# configure terminal	Enters global configuration mode.
Step 3	interface virtual template <i>number</i> Example: Router(config)# interface virtual template 1	Creates a virtual template interface that can be configured and applied dynamically in creating virtual access interfaces and enters interface configuration mode.
Step 4	ppp multilink endpoint {hostname ip <i>ipaddress</i> mac <i>LAN-interface</i> none phone <i>telephone-number</i> string <i>char-string</i> } Example: Router(config-if)# ppp multilink endpoint ip 192.0.2.0	Overrides or changes the default endpoint discriminator the system uses when negotiating the use of MLP with the peer.

Configuring MLP Interleaving

Perform the following tasks to configure MLP and interleaving on a configured and operational interface or virtual interface template.

Configuring MLP Interleaving and Queueing

Interleaving on MLP allows large packets to be multilink encapsulated and fragmented into a small enough size to satisfy the delay requirements of real-time traffic; small real-time packets are not multilink encapsulated and are sent between fragments of the large packets. The interleaving feature also provides a special transmit queue for the smaller, delay-sensitive packets, enabling them to be sent earlier than other flows.

Weighted fair queueing on MLP works on the packet level, not at the level of multilink fragments. Thus, if a small real-time packet gets queued behind a larger best-effort packet and no special queue has been reserved for real-time packets, the small packet will be scheduled for transmission only after all the fragments of the larger packet are scheduled for transmission.

Weighted fair queueing is supported on all interfaces that support Multilink PPP, including MLP virtual access interfaces and virtual interface templates. Weighted fair queueing is enabled by default.

Fair queueing on MLP overcomes a prior restriction. Previously, fair queueing was not allowed on virtual access interfaces and virtual interface templates. Interleaving provides the delay bounds for delay-sensitive voice packets on a slow link that is used for other best-effort traffic.

Interleaving applies only to interfaces that can configure a multilink bundle interface. These restrictions include virtual templates, dialer interfaces, and ISDN BRI or PRI interfaces.

Multilink and fair queueing are not supported when a multilink bundle is off-loaded to a different system using Multichassis Multilink PPP (MMP). Thus, interleaving is not supported in MMP networking designs.

MLP support for interleaving can be configured on virtual templates, dialer interfaces, and ISDN BRI or PRI interfaces. To configure interleaving, complete the following tasks:

- Configure the dialer interface, BRI interface, PRI interface, or virtual template.
- Configure MLP and interleaving on the interface or template.



Note

Fair queueing, which is enabled by default, must remain enabled on the interface.



Note

Interleaving statistics can be displayed by using the **show interfaces** command, specifying the particular interface on which interleaving is enabled. Interleaving data is displayed only if there are interleaves. For example, the following line shows interleaves:

```
Output queue: 315/64/164974/31191 (size/threshold/drops/interleaves)
```

SUMMARY STEPS

1. **enable**
2. **configure terminal**
3. **interface virtual template *number***
4. **ppp multilink**
5. **ppp multilink interleave**
6. **ppp multilink fragment delay *milliseconds***
7. **ip rtp reserve *lowest-udp-port range-of-ports* [*maximum-bandwidth*]**
8. **exit**
9. **multilink virtual-template *virtual-template-number***

DETAILED STEPS

	Command or Action	Purpose
Step 1	enable Example: Router> enable	Enables privileged EXEC mode. • Enter your password if prompted.
Step 2	configure terminal Example: Router# configure terminal	Enters global configuration mode.

	Command or Action	Purpose
Step 3	<code>interface virtual template number</code> Example: Router(config)# interface virtual template 1	Creates a virtual template interface that can be configured and applied dynamically in creating virtual access interfaces, and enters interface configuration mode.
Step 4	<code>ppp multilink</code> Example: Router(config-if)# ppp multilink	Enables Multilink PPP.
Step 5	<code>ppp multilink interleave</code> Example: Router(config-if)# configure terminal	Enables interleaving of packets among the fragments of larger packets on an MLP bundle.
Step 6	<code>ppp multilink fragment delay milliseconds</code> Example: Router(config-if)# ppp multilink fragment delay 50	Specifies a maximum size, in units of time, for packet fragments on an MLP bundle.
Step 7	<code>ip rtp reserve lowest-udp-port range-of-ports [maximum-bandwidth]</code> Example: Router(config-if)# ip rtp reserve 1 2	Reserves a special queue for real-time packet flows to specified destination UDP ports, allowing real-time traffic to have higher priority than other flows.
Step 8	<code>exit</code> Example: Router(config-if)# exit	Exits interface configuration mode.
Step 9	<code>multilink virtual-template virtual-template-number</code> Example: Router(config)# multilink virtual-template 1	For virtual templates only, applies the virtual template to the multilink bundle. Note This step is not used for ISDN or dialer interfaces.

Configuring MLP Inverse Multiplexer and Distributed MLP

The distributed MLP (dMLP) feature combines T1/E1 lines in a WAN line card on a Cisco 7600 series router into a bundle that has the combined bandwidth of the multiple T1/E1 lines. You choose the number of bundles and the number of T1/E1 lines in each bundle, which allows you to increase the bandwidth of your network links beyond that of a single T1/E1 line without having to purchase a T3 line.

Nondistributed MLP is not supported on the Cisco 7600 series router. With distributed MLP, you can increase the router's total capacity.

The MLP Inverse Multiplexer feature was designed for Internet service providers (ISPs) that want to have the bandwidth of multiple T1 lines with performance comparable to that of an inverse multiplexer without the need of buying standalone inverse-multiplexing equipment. A Cisco router supporting dMLP can bundle multiple T1 lines in a CT3 or CE3 interface or channelized STM1. Bundling is more economical than purchasing an inverse multiplexer, and eliminates the need to configure another piece of equipment.

This feature supports the CT3 CE3 data rates without taxing the Route Processor (RP) and CPU by moving the data path to the line card. This feature also allows remote sites to purchase multiple T1 lines instead of a T3 line, which is especially useful when the remote site does not need the bandwidth of an entire T3 line.

This feature allows multilink fragmentation to be disabled, so multilink packets are sent using Cisco Express Forwarding on all platforms, if fragmentation is disabled. Cisco Express Forwarding is supported with fragmentation enabled or disabled.



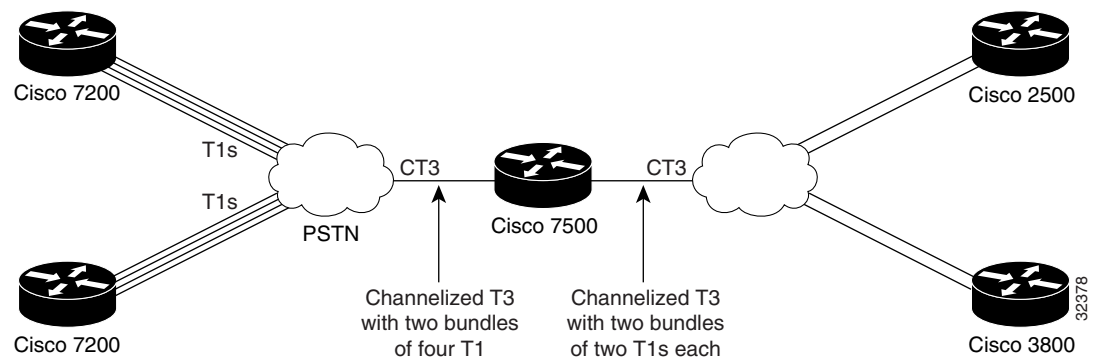
Note

If a router cannot send out all the packets (some packets are dropped by Quality of Service (QoS)), late drops occur. These late drops are displayed when the **show interface** command is executed.

If there is no service policy on the dMLP interface, when a **ppp multilink interleave** is configured on the dMLPPP interface, a QoS policy is enabled internally.

Figure 2 shows a typical network using a dMLP link. The Cisco 7600 series router is connected to the network with a CT3 line that has been configured with dMLPP to carry two bundles of four T1 lines each. One of these bundles goes out to a Cisco 2500 series router and the other goes out to a Cisco 3800 series router.

Figure 2 Diagram of a Typical VIP MLP Topology



Before beginning the MLP Inverse Multiplexer configuration tasks, make note of the following prerequisites and restrictions.

Prerequisites

- Distributed Cisco Express Forwarding switching must be enabled for distributed MLP.
- One of the following port adapters is required:
 - CT3IP
 - PA-MC-T3
 - PA-MC-2T3+
 - PA-MC-E3
 - PA-MC-8T1
 - PA-MC-4T1
 - PA-MC-8E1
- All 16 E1s can be bundled from a PA-MC-E3 in a VIP4-80.

Restrictions

The following restrictions apply to the dMLP feature:

**Note**

Distributed MLP is supported only for member links configured at T1/E1 or subrate T1/E1 speeds. Channelized STM-1/T3/T1 interfaces also support dMLP at T1/E1 or subrate T1/E1 speeds. Distributed MLP is not supported for member links configured at clear-channel T3/E3 or higher interface speeds.

- T1 and E1 lines cannot be mixed in a bundle.
- T1 lines in a bundle should have the same bandwidth.
- All lines in a bundle must reside on the same port adapter.
- MLP bundles across FlexWAN or Enhanced FlexWAN port adapters are not supported.
- Hardware compression is not supported.
- Encryption is not supported.
- Software compression is not recommended because CPU usage would void performance gains.
- The maximum differential delay supported is 50 milliseconds (ms).
- Fragmentation is not supported on the transmit side.
- dMLP across shared port adapters (SPAs) is not supported.
- Hardware and software compression is not supported.
- Encryption is not supported.
- The maximum differential delay supported is 50 ms when supported in hardware, and 100 ms when supported in software.

Enabling fragmentation reduces the delay latency among bundle links, but adds some load to the CPU. Disabling fragmentation may result in better throughput.

If your data traffic is consistently of a similar size, we recommend disabling fragmentation. In this case, the benefits of fragmentation may be outweighed by the added load on the CPU.

To configure a multilink bundle, perform the tasks in the following sections:

- [Creating a Multilink Bundle, page 1016](#) (required)
- [Assigning an Interface to a Multilink Bundle, page 1017](#) (required)
- [Disabling PPP Multilink Fragmentation, page 1019](#) (optional)

Creating a Multilink Bundle

Perform the following tasks to create a multilink bundle.

SUMMARY STEPS

1. **enable**
2. **configure terminal**
3. **interface multilink** *group-number*
4. **ip address** *address mask*
5. **encapsulation ppp**
6. **ppp multilink**

DETAILED STEPS

	Command or Action	Purpose
Step 1	enable Example: Router> enable	Enables privileged EXEC mode. <ul style="list-style-type: none">Enter your password if prompted.
Step 2	configure terminal Example: Router# configure terminal	Enters global configuration mode.
Step 3	interface multilink <i>group-number</i> Example: Router(config)# interface multilink 10	Assigns a multilink group number and enters interface configuration mode.
Step 4	ip address <i>address mask</i> Example: Router(config-if)# ip address 192.0.2.9 255.255.255.224	Assigns an IP address to the multilink interface.
Step 5	encapsulation ppp Example: Router(config-if)# encapsulation ppp	Enables PPP encapsulation.
Step 6	ppp multilink Example: Router(config-if)# ppp multilink	Enables Multilink PPP.

Assigning an Interface to a Multilink Bundle

Perform this task to assign an interface to a multilink bundle.

SUMMARY STEPS

1. **enable**
2. **configure terminal**
3. **interface multilink** *group number*
4. **no ip address**
5. **keepalive**
6. **encapsulation ppp**
7. **ppp multilink group** *group-number*
8. **ppp multilink**
9. **ppp authentication chap**
10. **pulse-time seconds**

DETAILED STEPS

	Command or Action	Purpose
Step 1	enable Example: Router> enable	Enables privileged EXEC mode. <ul style="list-style-type: none">Enter your password if prompted.
Step 2	configure terminal Example: Router# configure terminal	Enters global configuration mode.
Step 3	interface multilink <i>group-number</i> Example: Router(config)# interface multilink 10	Assigns a multilink group number and enters interface configuration mode.
Step 4	no ip address Example: Router(config-if)# no ip address	Removes any specified IP address.
Step 5	keepalive Example: Router(config-if)# keepalive	Sets the frequency of keepalive packets.
Step 6	encapsulation ppp Example: Router(config-if)# encapsulation ppp	Enables PPP encapsulation.
Step 7	ppp multilink group <i>group-number</i> Example: Router(config-if)# ppp multilink 12	Restricts a physical link to joining only the designated multilink-group interface.
Step 8	ppp multilink Example: Router(config-if)# ppp multilink	Enables Multilink PPP.
Step 9	ppp authentication chap Example: Router(config-if)# ppp authentication chap	(Optional) Enables CHAP authentication.
Step 10	pulse-time <i>seconds</i> Example: Router(config-if)# pulse-time 10	(Optional) Configures DTR signal pulsing.

**Caution**

Do not install a router to the peer address while configuring an MLP lease line. This installation can be disabled when **no ppp peer-neighbor-route** command is used under the MLPPP bundle interface.

Disabling PPP Multilink Fragmentation

Perform the following task to disable PPP multilink fragmentation.

SUMMARY STEPS

1. **enable**
2. **configuration terminal**
3. **interface multilink** *group number*
4. **ppp multilink fragment disable**
5. **exit**

DETAILED STEPS

	Command or Action	Purpose
Step 1	enable Example: Router> enable	Enables privileged EXEC mode. <ul style="list-style-type: none"> • Enter your password if prompted.
Step 2	configure terminal Example: Router# configure terminal	Enters global configuration mode.
Step 3	interface multilink <i>group-number</i> Example: Router(config)# interface multilink 10	Assigns a multilink group number and enters interface configuration mode.
Step 4	ppp multilink fragment disable Example: Router(config-if)# ppp multilink fragment disable	(Optional) Disables PPP multilink fragmentation.
Step 5	exit Example: Router(config-if)# exit	Exits privileged EXEC mode.

Monitoring and Maintaining PPP and MLP Interfaces

Perform this task to display MLP and MMP bundle information.

SUMMARY STEPS

1. **enable**
2. **show ppp multilink**
3. **exit**

DETAILED STEPS

	Command or Action	Purpose
Step 1	enable Example: Router> enable	Enables privileged EXEC mode. <ul style="list-style-type: none"> • Enter your password if prompted.
Step 2	show ppp multilink Example: Router# show ppp multilink	Displays MLP and MMP bundle information.
Step 3	exit Example: Router# exit	Exits privileged EXEC mode.

Configuration Examples for PPP and MLP

The following sections provide various PPP configuration examples:

- [CHAP with an Encrypted Password: Examples, page 1020](#)
- [User Maximum Links Configuration: Example, page 1021](#)
- [MPPC Interface Configuration: Examples, page 1022](#)
- [IP Address Pooling: Example, page 1023](#)
- [DHCP Network Control: Example, page 1025](#)
- [MLP: Examples, page 1025](#)
- [MLP Interleaving and Queueing for Real-Time Traffic: Example, page 1029](#)
- [T3 Controller Configuration for an MLP Multilink Inverse Multiplexer : Example, page 1030](#)
- [Multilink Interface Configuration for Distributed MLP: Example, page 1030](#)

CHAP with an Encrypted Password: Examples

The following examples show how to enable CHAP on serial interface 0 of three devices:

Configuration of Router yyy

```
hostname yyy
interface serial 0
 encapsulation ppp
 ppp authentication chap
```

```
username xxx password secretxy
username zzz password secretxy
```

Configuration of Router xxx

```
hostname xxx
interface serial 0
  encapsulation ppp
  ppp authentication chap
username yyy password secretxy
username zzz password secretxz
```

Configuration of Router zzz

```
hostname zzz
interface serial 0
  encapsulation ppp
  ppp authentication chap
username xxx password secretxz
username yyy password secretxy
```

When you look at the configuration file, the passwords are encrypted and the display looks similar to the following:

```
hostname xxx
interface serial 0
  encapsulation ppp
  ppp authentication chap
username yyy password 7 121F0A18
username zzz password 7 1329A055
```

User Maximum Links Configuration: Example

The following example shows how to configure the username user1 and establish a maximum of five connections. user1 can connect through serial interface 1/0, which has a dialer map configured for it, or through PRI interface 0/0:23, which has dialer profile interface 0 dedicated to it.

The **aaa authorization network default local** command must be configured. PPP encapsulation and authentication must be enabled on all the interfaces that user1 can connect to.

```
aaa new-model
aaa authorization network default local
enable secret password1
enable password password2
!
username user1 user-maxlinks 5 password password3
!
interface Serial0/0:23
  no ip address
  encapsulation ppp
  dialer pool-member 1
  ppp authentication chap
  ppp multilink
!
interface Serial1/0
  ip address 209.165.201.1 255.255.255.0
  encapsulation ppp
  dialer in-band
  dialer map ip 10.2.2.13 name user1 12345
  dialer-group 1
  ppp authentication chap
!
```

```

interface Dialer0
 ip address 209.165.200.225 255.255.255.0
 encapsulation ppp
 dialer remote-name user1
 dialer string 23456
 dialer pool 1
 dialer-group 1
 ppp authentication chap
 ppp multilink
 !
 dialer-list 1 protocol ip permit

```

MPPC Interface Configuration: Examples

The following example shows how to configure asynchronous interface 1 to implement MPPC and ignore the protocol field compression flag negotiated by LCP:

```

interface async1
 ip unnumbered ethernet0
 encapsulation ppp
 async default routing
 async dynamic routing
 async mode interactive
 peer default ip address 172.21.71.74
 compress mppc ignore-pfc

```

The following example creates a virtual access interface (virtual template interface 1) and serial interface 0, which is configured for X.25 encapsulation. MPPC values are configured on the virtual template interface and will ignore the negotiated protocol field compression flag.

```

interface ethernet0
 ip address 172.20.30.102 255.255.255.0
 !
interface virtual-template1
 ip unnumbered ethernet0
 peer default ip address pool vtemp1
 compress mppc ignore-pfc
 !
interface serial0
 no ipaddress
 no ip mroute-cache
 encapsulation x25
 x25 win 7
 x25 winout 7
 x25 ips 512
 x25 ops 512
 clock rate 50000
 !
 ip local pool vtemp1 172.20.30.103 172.20.30.104
 ip route 0.0.0.0 0.0.0.0 172.20.30.1
 !
 translate x25 31320000000000 virtual-template 1

```

IP Address Pooling: Example

The following example shows how to configure a modem to dial in to a Cisco access server and obtain an IP address from the DHCP server. This configuration allows the user to log in and browse an NT network. Notice that the dialer 1 and group-async 1 interfaces are configured with the **ip unnumbered loopback** command, so that the broadcast can find the dialup clients and the client can see the NT network.

```
!  
hostname secret  
!  
aaa new-model  
aaa authentication login default local  
aaa authentication ppp default if-needed local  
aaa authentication ppp chap local  
enable secret 5 encrypted-secret  
enable password EPassWd1  
!  
username User1 password 0 PassWd2  
username User2 password 0 PassWd3  
username User3 password 0 PassWd4  
no ip domain-lookup  
ip dhcp-server 10.47.0.131  
async-bootp gateway 10.47.0.1  
async-bootp nbns-server 10.47.0.131  
isdn switch-type primary-4ess  
!  
!  
controller t1 0  
  framing esf  
  clock source line primary  
  linecode b8zs  
  pri-group timeslots 1-24  
!  
controller t1 1  
  framing esf  
  clock source line secondary  
  linecode b8zs  
!  
interface loopback 0  
  ip address 10.47.252.254 255.255.252.0  
!  
interface ethernet 0  
  ip address 10.47.0.5 255.255.252.0  
  ip helper-address 10.47.0.131  
  ip helper-address 10.47.0.255  
  no ip route-cache  
  no ip mroute-cache  
!  
interface serial 0  
  no ip address  
  no ip mroute-cache  
  shutdown  
!  
interface serial 1  
  no ip address  
  shutdown  
!  
interface serial 0:23  
  no ip address  
  encapsulation ppp  
  no ip mroute-cache
```

```

dialer rotary-group 1
dialer-group 1
isdn incoming-voice modem
no fair-queue
no cdp enable
!
interface group-async 1
ip unnumbered loopback 0
ip helper-address 10.47.0.131
ip tcp header-compression passive
encapsulation ppp
no ip route-cache
no ip mroute-cache
async mode interactive
peer default ip address dhcp
no fair-queue
no cdp enable
ppp authentication chap
group-range 1 24
!
interface dialer 1
ip unnumbered loopback 0
encapsulation ppp
dialer in-band
dialer-group 1
no peer default ip address
no fair-queue
no cdp enable
ppp authentication chap
ppp multilink
!
router ospf 172
redistribute connected subnets
redistribute static
network 10.47.0.0 0.0.3.255 area 0
network 10.47.156.0 0.0.3.255 area 0
network 10.47.168.0 0.0.3.255 area 0
network 10.47.252.0 0.0.3.255 area 0
!
ip local pool RemotePool 10.47.252.1 10.47.252.24
ip classless
ip route 10.0.140.0 255.255.255.0 10.59.254.254
ip route 10.2.140.0 255.255.255.0 10.59.254.254
ip route 10.40.0.0 255.255.0.0 10.59.254.254
ip route 10.59.254.0 255.255.255.0 10.59.254.254
ip route 172.23.0.0 255.255.0.0 10.59.254.254
ip route 192.168.0.0 255.255.0.0 10.59.254.254
ip ospf name-lookup
no logging buffered
access-list 101 deny ip any host 255.255.255.255
access-list 101 deny ospf any any
access-list 101 permit ip any any
dialer-list 1 protocol ip list 101
snmp-server community public RO
!
line con 0
line 1 24
autoselect during-login
autoselect ppp
modem InOut
transport input all
line aux 0
line vty 0 4
password Password

```

```
!
scheduler interval 100
end
```

DHCP Network Control: Example

The following partial example shows how to add the **ip dhcp-client network-discovery** command to the “[IP Address Pooling: Example](#)” section on page 1023 to allow peer routers to more dynamically discover DNS and NetBIOS name servers. If the **ip dhcp-client network-discovery** command is disabled, the system falls back to the static configurations made using the **async-bootp dns-server** and **async-bootp nb-server** global configuration commands.

```
!
hostname secret
!
aaa new-model
aaa authentication login default local
aaa authentication ppp default if-needed local
aaa authentication ppp chap local
enable secret 5 encrypted-secret
enable password EPassWd1
!
username User1 password 0 PassWd2
username User2 password 0 PassWd3
username User3 password 0 PassWd4
no ip domain-lookup
ip dhcp-server 10.47.0.131
ip dhcp-client network-discovery informs 2 discovers 2 period 12
async-bootp gateway 10.47.0.1
async-bootp nbns-server 10.47.0.131
isdn switch-type primary-4ess
.
.
.
```

MLP: Examples

This section contains the following MLP examples:

- [MLP on Synchronous Serial Interfaces: Example, page 1025](#)
- [MLP on One ISDN BRI Interface: Example, page 1027](#)
- [MLP on Multiple ISDN BRI Interfaces: Example, page 1027](#)
- [MLP Inverse Multiplexer Configuration: Example, page 1028](#)
- [MLP Using Multilink Group Interfaces over ATM: Example, page 1028](#)
- [Changing the Default Endpoint Discriminator: Example, page 1029](#)

MLP on Synchronous Serial Interfaces: Example

The following example shows how the configuration commands are used to create the inverse multiplexing application:

Router A Configuration

```
hostname RouterA
```

```

!
!
username RouterB password your_password
ip subnet-zero
multilink virtual-template 1
!
interface Virtual-Template1
 ip unnumbered Ethernet0
 ppp authentication chap
 ppp multilink
!
interface Serial0
 no ip address
 encapsulation ppp
 no fair-queue
 ppp multilink
 pulse-time 3
!
interface Serial1
 no ip address
 encapsulation ppp
 no fair-queue
 ppp multilink
 pulse-time 3
!
interface Serial2
 no ip address
 encapsulation ppp
 no fair-queue
 ppp multilink
 pulse-time 3
!
interface Serial3
 no ip address
 encapsulation ppp
 no fair-queue
 ppp multilink
 pulse-time 3
!
interface Ethernet0
 ip address 10.17.1.254 255.255.255.0
!
router rip
 network 10.0.0.0
!
end

```

Router B Configuration

```

hostname RouterB
!
!
username RouterB password your_password
ip subnet-zero
multilink virtual-template 1
!
interface Virtual-Template1
 ip unnumbered Ethernet0
 ppp authentication chap
 ppp multilink
!
interface Serial0
 no ip address
 encapsulation ppp

```



```

no fair-queue
ppp multilink
pulse-time 3
!
interface Serial1
no ip address
encapsulation ppp
no fair-queue
ppp multilink
pulse-time 3
!
interface Serial2
no ip address
encapsulation ppp
no fair-queue
ppp multilink
pulse-time 3
!
interface Serial3
no ip address
encapsulation ppp
no fair-queue
ppp multilink
pulse-time 3
!
interface Ethernet0
ip address 10.17.2.254 255.255.255.0
!
router rip
network 10.0.0.0
!
end

```

MLP on One ISDN BRI Interface: Example

The following example shows how to enable MLP on BRI interface 0. When a BRI is configured, no dialer rotary group configuration is required, because an ISDN interface is a rotary group by default.

```

interface bri 0
description connected to ntt 81012345678902
ip address 172.31.1.7 255.255.255.0
encapsulation ppp
dialer idle-timeout 30
dialer load-threshold 40 either
dialer map ip 172.31.1.8 name user1 81012345678901
dialer-group 1
ppp authentication pap
ppp multilink

```

MLP on Multiple ISDN BRI Interfaces: Example

The following example shows how to configure multiple ISDN BRI interfaces to belong to the same dialer rotary group for Multilink PPP. The **dialer rotary-group** command is used to assign each of the ISDN BRI interfaces to that dialer rotary group.

```

interface BRI 0
no ip address
encapsulation ppp
dialer idle-timeout 500
dialer rotary-group 0
dialer load-threshold 30 either

```

```

!
interface BRI 1
  no ip address
  encapsulation ppp
  dialer idle-timeout 500
  dialer rotary-group 0
  dialer load-threshold 30 either
!
interface BRI 2
  no ip address
  encapsulation ppp
  dialer idle-timeout 500
  dialer rotary-group 0
  dialer load-threshold 30 either
!
interface Dialer 0
  ip address 10.0.0.2 255.0.0.0
  encapsulation ppp
  dialer in-band
  dialer idle-timeout 500
  dialer map ip 10.0.0.1 name user1 broadcast 81012345678901
  dialer load-threshold 30 either
  dialer-group 1
  ppp authentication chap
  ppp multilink

```

MLP Using Multilink Group Interfaces over ATM: Example

The following example shows how to configure MLP over an ATM PVC using a multilink group:

```

interface multilink 1
  ip address 10.200.83.106 255.255.255.252
  ip tcp header-compression iphc-format delay 20000
  service policy output xyz
  encapsulation ppp
  exit
  ppp multilink
  ppp multilink fragment delay 10
  ppp multilink interleave
  ppp timeout multilink link remove 10
  ip rtp header-compression iphc-format

interface virtual-template 3
  bandwidth 128
  ppp multilink group 1

interface atm 4/0.1 point-to-point
  pvc 0/32
  abr 100 80
  protocol ppp virtual-template 3

```

MLP Inverse Multiplexer Configuration: Example

This example shows how to verify the display information of the newly created multilink bundle:

```
Router# show ppp multilink
```

```

Multilink1, bundle name is group1
Bundle is Distributed
0 lost fragments, 0 reordered, 0 unassigned, sequence 0x0/0x0 rcvd/sent
0 discarded, 0 lost received, 1/255 load
Member links:4 active, 0 inactive (max not set, min not set)

```

```

Serial1/0/0:1
Serial1/0/0:2
Serial1/0/0:3
Serial1/0/0:4

```

Changing the Default Endpoint Discriminator: Example

The following partial example changes the MLP endpoint discriminator from the default CHAP hostname C-host1 to the E.164-compliant telephone number 555-0100:

```

.
.
.
interface dialer 0
 ip address 10.1.1.4 255.255.255.0
 encapsulation ppp
 dialer remote-name R-host1
 dialer string 23456
 dialer pool 1
 dialer-group 1
 ppp chap hostname C-host1
 ppp multilink endpoint phone 555-0100
.
.
.

```

MLP Interleaving and Queueing for Real-Time Traffic: Example

The following example defines a virtual interface template that enables MLP interleaving and a maximum real-time traffic delay of 20 milliseconds, and then applies that virtual template to the MLP bundle:

```

interface virtual-template 1
 ip unnumbered ethernet 0
 ppp multilink
 ppp multilink interleave
 ppp multilink fragment delay 20
 ip rtp interleave 32768 20 1000
 multilink virtual-template 1

```

The following example enables MLP interleaving on a dialer interface that controls a rotary group of BRI interfaces. This configuration permits IP packets to trigger calls.

```

interface BRI 0
 description connected into a rotary group
 encapsulation ppp
 dialer rotary-group 1
!
interface BRI 1
 no ip address
 encapsulation ppp
 dialer rotary-group 1
!
interface BRI 2
 encapsulation ppp
 dialer rotary-group 1
!
interface BRI 3
 no ip address
 encapsulation ppp

```

```

dialer rotary-group 1
!
interface BRI 4
 encapsulation ppp
 dialer rotary-group 1
!
interface Dialer 0
 description Dialer group controlling the BRIs
 ip address 10.1.1.1 255.255.255.0
 encapsulation ppp
 dialer map ip 10.1.1.2 name name1 14802616900
 dialer-group 1
 ppp authentication chap
! Enables Multilink PPP interleaving on the dialer interface and reserves
! a special queue.
 ppp multilink
 ppp multilink interleave
 ip rtp reserve 32768 20 1000
! Keeps fragments of large packets small enough to ensure delay of 20 ms or less.
 ppp multilink fragment delay 20
 dialer-list 1 protocol ip permit

```

T3 Controller Configuration for an MLP Multilink Inverse Multiplexer : Example

The following example shows how to configure the T3 controller and create four channelized interfaces :

```

controller T3 1/0/0
 framing m23
 cablelength 10
 t1 1 timeslots 1-24
 t1 2 timeslots 1-24
 t1 3 timeslots 1-24
 t1 4 timeslots 1-24

```

Multilink Interface Configuration for Distributed MLP: Example

In the following example, four multilink interfaces are created with distributed Cisco Express Forwarding switching and MLP enabled. Each of the newly created interfaces is added to a multilink bundle.

```

interface multilink1
 ip address 10.0.0.0 10.255.255.255
 ppp chap hostname group 1
 ppp multilink
 ppp multilink group 1

interface serial 1/0/0:1
 no ip address
 encapsulation ppp
 ip route-cache distributed
 no keepalive
 ppp multilink
 ppp multilink group 1

interface serial 1/0/0:2
 no ip address
 encapsulation ppp
 ip route-cache distributed
 no keepalive

```

```

ppp chap hostname group 1
ppp multilink
ppp multilink group 1

interface serial 1/0/0:3
no ip address
encapsulation ppp
ip route-cache distributed
no keepalive
ppp chap hostname group 1
ppp multilink
ppp multilink group 1

interface serial 1/0/0:4
no ip address
encapsulation ppp
ip route-cache distributed
no keepalive
ppp chap hostname group 1
ppp multilink
ppp multilink group 1

```

Additional References

The following sections provide references related to the Configuring Media-Independent PPP and Multilink PPP feature.

Related Documents

Related Topic	Document Title
Asynchronous SLIP and PPP	“Configuring Asynchronous SLIP and PPP” module in the <i>Cisco IOS Dial Technologies Configuration Guide</i>
MCHAP	MS-CHAP Support
Dial commands: complete command syntax, command mode, command history, defaults, usage guidelines, and examples	Cisco IOS Dial Technologies Command Reference.

Standards

Standard	Title
None	—

MIBs

MIB	MIBs Link
None	To locate and download MIBs for selected platforms, Cisco IOS releases, and feature sets, use Cisco MIB Locator found at the following URL: http://www.cisco.com/go/mibs

RFCs

RFC	Title
RFC 1994	PPP Challenge Handshake Authentication Protocol (CHAP)

Technical Assistance

Description	Link
<p>The Cisco Support website provides extensive online resources, including documentation and tools for troubleshooting and resolving technical issues with Cisco products and technologies.</p> <p>To receive security and technical information about your products, you can subscribe to various services, such as the Product Alert Tool (accessed from Field Notices), the Cisco Technical Services Newsletter, and Really Simple Syndication (RSS) Feeds.</p> <p>Access to most tools on the Cisco Support website requires a Cisco.com user ID and password.</p>	http://www.cisco.com/techsupport

Feature Information for Configuring Media-Independent PPP and Multilink PPP

Table 1 lists the release history for this feature.

Not all commands may be available in your Cisco IOS software release. For release information about a specific command, see the command reference documentation.

Use Cisco Feature Navigator to find information about platform support and software image support. Cisco Feature Navigator enables you to determine which Cisco IOS and Catalyst OS software images support a specific software release, feature set, or platform. To access Cisco Feature Navigator, go to <http://www.cisco.com/go/cfn>. An account on Cisco.com is not required.



Note

Table 1 lists only the Cisco IOS software release that introduced support for a given feature in a given Cisco IOS software release train. Unless noted otherwise, subsequent releases of that Cisco IOS software release train also support that feature.

Table 1 Feature Information for Configuring Media-Independent PPP and Multilink PPP

Feature Name	Releases	Feature Information
Multilink PPP	11.2(1) 12.2(8)T 11.2(6)P 12.1(3)T 12.3(13)BC 12.2(27)SBB 12.2(31)SB2 15.0(1)M 12.2(33)SRE	Multilink PPP provides a method for spreading traffic across multiple physical WAN links. The following sections provide information about this feature: <ul style="list-style-type: none"> • Information About Media-Independent PPP and Multilink PPP, page 986 • How to Configure Media-Independent PPP and Multilink PPP, page 990

Cisco and the Cisco Logo are trademarks of Cisco Systems, Inc. and/or its affiliates in the U.S. and other countries. A listing of Cisco's trademarks can be found at www.cisco.com/go/trademarks. Third party trademarks mentioned are the property of their respective owners. The use of the word partner does not imply a partnership relationship between Cisco and any other company. (1005R)

Any Internet Protocol (IP) addresses and phone numbers used in this document are not intended to be actual addresses and phone numbers. Any examples, command display output, network topology diagrams, and other figures included in the document are shown for illustrative purposes only. Any use of actual IP addresses or phone numbers in illustrative content is unintentional and coincidental.

© 2001–2010 Cisco Systems, Inc. All rights reserved.



PPP/MLP MRRU Negotiation Configuration

First Published: March 1, 2004

Last Updated: January 2, 2008

The PPP/MLP MRRU Negotiation Configuration feature allows a router to send and receive frames over Multilink PPP (MLP) bundles that are larger than the default Maximum Receive Reconstructed Unit (MRRU) limit of 1524 bytes.

Finding Feature Information in This Module

Your Cisco IOS software release may not support all of the features documented in this module. For the latest feature information and caveats, see the release notes for your Cisco IOS software release. To reach links to specific feature documentation in this module and to see a list of the releases in which each feature is supported, use the “[Feature Information for PPP/MLP MRRU Negotiation Configuration](#)” section on [page 1048](#).

Finding Support Information for Platforms and Cisco IOS and Catalyst OS Software Images

Use Cisco Feature Navigator to find information about platform support and Cisco IOS and Catalyst OS software image support. To access Cisco Feature Navigator, go to <http://www.cisco.com/go/cfn>. An account on Cisco.com is not required.

Contents

- [Prerequisites for PPP/MLP MRRU Negotiation Configuration, page 1036](#)
- [Restrictions for PPP/MLP MRRU Negotiation Configuration, page 1036](#)
- [Information About PPP/MLP MRRU Negotiation Configuration, page 1036](#)
- [How to Configure PPP/MLP MRRU Negotiation Configuration, page 1038](#)
- [Configuration Examples for PPP/MLP MRRU Negotiation Configuration, page 1045](#)
- [Command Reference, page 1047](#)
- [Feature Information for PPP/MLP MRRU Negotiation Configuration, page 1048](#)



Americas Headquarters:

Cisco Systems, Inc., 170 West Tasman Drive, San Jose, CA 95134-1706 USA

- [Additional References, page 1046](#)
- [Command Reference, page 1047](#)

Prerequisites for PPP/MLP MRRU Negotiation Configuration

Before performing the tasks to configure the PPP/MLP MRRU Negotiation Configuration feature, you need to understand how to configure PPP and MLP. It will also be useful to be familiar with concepts presented in RFC 1990. See the “[Related Documents](#)” and “[RFCs](#)” sections for pointers to this information.

Restrictions for PPP/MLP MRRU Negotiation Configuration

This feature and its new interface configuration command are valid only on interfaces that support MLP.



Note

Be careful when configuring MLP MRRU negotiation in a virtual private dialup network (VPDN) environment with an L2TP network server (LNS) that is not running Cisco IOS Release 12.3(7)T. The software performs strict matching on the MRRU values in earlier versions of the Cisco IOS software.

Information About PPP/MLP MRRU Negotiation Configuration

To configure PPP/MLP MRRU Negotiation Configuration, you need to understand the following concepts:

- [MRRU Negotiation on MLP, page 1036](#)
- [Advertisement of a Specific MRRU Value, page 1037](#)
- [Peer MRRU Negotiation, page 1037](#)

MRRU Negotiation on MLP

Before Cisco IOS Release 12.3(7)T, configuring the MRRU option negotiated on a multilink bundle with the MLP was not possible. Cisco IOS software always advertised an MRRU default value of 1524 bytes, which meant that the maximum transmission unit (MTU) of the peer’s bundle interface was restricted to a value of 1524 bytes or fewer if the data transfer was to be successful. Users who wanted to benefit from MLP features had to accept limits on the MTU byte size setting.

The PPP/MLP MRRU Negotiation Configuration feature allows configuration control over MRRU negotiation. A new interface configuration command introduced with this feature, **ppp multilink mrru**, allows configuring the specific MRRU value that the router will advertise, and optionally establishing a lower boundary on the MRRU value of the peer.

MLP is a method for spreading traffic across multiple physical WAN links while providing packet fragmentation and reassembly, proper sequencing, multivendor interoperability, and load balancing on inbound and outbound traffic. MLP was developed to use the multiple bearer channels in ISDN, but is equally applicable to any situation in which multiple PPP links connect two systems, including asynchronous links.

When MLP is used, several physical interfaces can constitute one logical connection to the peer. To represent the logical connection, software provides a logical interface, often called the *bundle* interface. This interface will have the IP address, for instance, and the MTU setting of the interface that IP uses when it is deciding whether to fragment an IP datagram that needs to be forwarded. The physical interfaces simply forward individual MLP fragments or frames that are given to them by the bundle interface.

The result of having to decide whether to fragment a packet is that, whereas with simple PPP the interface MTU must not exceed the peer's MRRU, with MLP the MTU size of the bundle interface must not exceed the MRRU setting of the peer.

The MRRU settings on both sides need not be equal, but the “must not exceed” rule just specified must be followed; otherwise a system might send several fragments that, when reconstructed as a frame, will be too large for the peer's receive buffer.

Advertisement of a Specific MRRU Value

Where a PPP link is destined to join an existing MLP bundle, the MRRU value advertised on that link will be the MRRU of the existing bundle, in configurations where the software can determine which bundle the link is destined to join at the time the Link Control Protocol (LCP) is negotiated.

In Cisco IOS Release 12.0(28)S, this is the case for multilink groups only.

In Cisco IOS Release 12.3(7)T and later releases, this is the case for both multilink groups and dialer profiles that have already been bound to the physical interface at the time LCP is negotiated.

In all other cases, the MRRU value advertised on a link is by an order of preference, as follows:

- The value configured on the link interface with the **ppp multilink mrru** interface command, or the value inherited from the configuration of the **ppp multilink mrru** command on the parent interface. If both values are present, the link interface value has precedence.
- The value of the bundle interface MTU, if the bundle interface is known at the time LCP is negotiated. In Cisco IOS Release 12.0(28)S, this is the case for multilink groups only.
- The default MRRU value of 1524 bytes.

Peer MRRU Negotiation

By default, any peer MRRU value that is set higher than the lower boundary of what is considered to be acceptable will be acknowledged.

In addition, the **ppp multilink mrru** interface command will allow specifying a minimum required peer MRRU value. If a lower value has been configured on a link interface or is inherited from a parent interface, software will send a negative acknowledgment along with the required minimum MRRU value to any peer with MRRU values that are below the established threshold.

When the bundle interface comes up, its MTU will be reduced if it exceeds the peer's MRRU for the duration of the existence of the bundle.

When a link joins a bundle, it must have the same values configured for the local and remote MRRU as the bundle does. If not, the link will be dropped and an error message will be displayed.

How to Configure PPP/MLP MRRU Negotiation Configuration

The following sections describe how to configure the PPP/MLP MRRU Negotiation Configuration feature.

- [Configuring PPP/MLP MRRU Negotiation Configuration on Virtual Templates, page 1038](#) (required for virtual templates)
- [Configuring PPP/MLP MRRU Negotiation Configuration on Multilink Groups, page 1040](#) (required for multilink groups)
- [Configuring PPP/MLP MRRU Negotiation Configuration on Dialer Interfaces, page 1043](#) (required for dialer interfaces)

Configuring PPP/MLP MRRU Negotiation Configuration on Virtual Templates

In this task, you configure MRRU negotiation on the serial interface. The bundle interface will be a virtual access interface cloned from the virtual template.

SUMMARY STEPS

1. **enable**
2. **configure terminal**
3. **multilink virtual-template** *number*
4. **interface virtual-template** *number*
5. **ip address** *ip-address mask*
6. **mtu** *bytes*
7. **exit**
8. **interface serial** *slot/port*
9. **ppp multilink**
10. **ppp multilink mrru** [**local** | **remote**] *mrru-value*
11. **mtu** *bytes*
12. **exit**

DETAILED STEPS

	Command or Action	Purpose
Step 1	enable Example: Router> enable	Enables privileged EXEC mode. <ul style="list-style-type: none"> • Enter your password if prompted.
Step 2	configure terminal Example: Router# configure terminal	Enters global configuration mode.

	Command or Action	Purpose
Step 3	multilink virtual-template <i>number</i> Example: Router(config)# multilink virtual-template 1	Specifies a virtual template from which the specified MLP bundle interface can clone its interface parameters.
Step 4	interface virtual-template <i>number</i> Example: Router(config)# interface virtual-template 1	Creates a virtual template interface that can be configured and applied dynamically in creating virtual access interfaces, and enters interface configuration mode.
Step 5	ip address <i>ip-address mask</i> Example: Router(config-if)# ip address 10.13.1.1 255.255.255.0	Sets the IP address for the interface.
Step 6	mtu <i>bytes</i> Example: Router(config-if)# mtu 1600	(Optional) Adjusts the maximum packet size or MTU size. <ul style="list-style-type: none"> Once you configure the MRRU on the bundle interface, you enable the router to receive large reconstructed MLP frames. You may want to configure the bundle MTU so the router can transmit large MLP frames, although it is not strictly necessary. The maximum recommended value for the bundle MTU is the value of the peer's MRRU. The default MTU for serial interfaces is 1500. The software will automatically reduce the bundle interface MTU if necessary, to avoid violating the peer's MRRU.
Step 7	exit Example: Router(config-if)# exit	Exits interface configuration mode and returns to global configuration mode.
Step 8	interface serial <i>slot/port</i> Example: Router(config)# interface serial 0/0	Selects a serial interface to configure and starts interface configuration mode.
Step 9	ppp multilink Example: Router(config-if)# ppp multilink	Enables MLP on an interface.

	Command or Action	Purpose
Step 10	<pre>ppp multilink mrru [local remote] mrru-value</pre> <p>Example: Router(config-if)# ppp multilink mrru local 1600</p>	<p>Configures the MRRU value negotiated on a multilink bundle when MLP is used.</p> <ul style="list-style-type: none"> • local—(Optional) Configures the local MRRU value. The default values for the local MRRU are the value of the multilink group interface MTU for multilink group members, and 1524 bytes for all other interfaces. • remote—(Optional) Configures the minimum value that the software will accept from the peer when it advertises its MRRU. By default, the software accepts any peer MRRU value of 128 or higher. You can specify a higher minimum acceptable MRRU value in a range from 128 to 16384 bytes.
Step 11	<pre>mtu bytes</pre> <p>Example: Router(config-if)# mtu 1600</p>	<p>(Optional) Adjusts the maximum packet size or MTU size.</p> <ul style="list-style-type: none"> • The default MTU for serial interfaces is 1500. • When the bundle interface MTU is tuned to a higher number, then depending upon the fragmentation configuration, the link interface may be given larger frames to transmit. • You must ensure that fragmentation is performed such that fragments are sized less than the link interface MTU (refer to command pages for the ppp multilink fragmentation and ppp multilink fragment-delay commands for more information about packet fragments), or configure the MTUs of the link interfaces such that they can transmit the larger frames.
Step 12	<pre>exit</pre> <p>Example: Router(config-if)# exit</p>	<p>Exits interface configuration mode and returns to global configuration mode.</p> <ul style="list-style-type: none"> • Return to Step 8 and configure additional interfaces, if necessary.

Troubleshooting Tips

Use the **debug ppp negotiation** command to verify and troubleshoot MRRU negotiation on virtual templates. Use the **show interface** command to verify MRRU negotiation on the interfaces.

Configuring PPP/MLP MRRU Negotiation Configuration on Multilink Groups

In this task, you configure MRRU negotiation on the multilink interface. The bundle interface is static, that is, always available.

SUMMARY STEPS

1. **enable**
2. **configure terminal**
3. **interface multilink** *number*

4. **ip address** *ip-address mask*
5. **ppp multilink mrru** [**local** | **remote**] *mrru-value*
6. **mtu** *bytes*
7. **exit**
8. **interface serial** *slot/port*
9. **ppp multilink**
10. **ppp multilink group** *group-number*
11. **mtu** *bytes*
12. **exit**

DETAILED STEPS

	Command or Action	Purpose
Step 1	enable Example: Router> enable	Enables privileged EXEC mode. <ul style="list-style-type: none"> • Enter your password if prompted.
Step 2	configure terminal Example: Router# configure terminal	Enters global configuration mode.
Step 3	interface multilink <i>number</i> Example: Router(config)# interface multilink 10	Creates a virtual template interface that can be configured and applied dynamically in creating virtual access interfaces, and enters interface configuration mode.
Step 4	ip address <i>ip-address mask</i> Example: Router(config-if)# ip address 10.13.1.1 255.255.255.0	Sets the IP address for the interface.
Step 5	ppp multilink mrru [local remote] <i>mrru-value</i> Example: Router(config-if)# ppp multilink mrru local 1600	Configures the MRRU value negotiated on a multilink bundle when MLP is used. <ul style="list-style-type: none"> • local—(Optional) Configures the local MRRU value. The default values for the local MRRU are the value of the multilink group interface MTU for multilink group members, and 1524 bytes for all other interfaces. • remote—(Optional) Configures the minimum value that the software will accept from the peer when it advertises its MRRU. By default, the software accepts any peer MRRU value of 128 or higher. You can specify a higher minimum acceptable MRRU value in a range from 128 to 16384 bytes.

	Command or Action	Purpose
Step 6	<p>mtu bytes</p> <p>Example: Router(config-if)# mtu 1600</p>	<p>(Optional) Adjusts the maximum packet size or MTU size.</p> <ul style="list-style-type: none"> Once you configure the MRRU on the bundle interface, you enable the router to receive large reconstructed MLP frames. You may want to configure the bundle MTU so the router can transmit large MLP frames, although it is not strictly necessary. The maximum recommended value for the bundle MTU is the value of the peer's MRRU. The default MTU for serial interfaces is 1500. The software will automatically reduce the bundle interface MTU if necessary, to avoid violating the peer's MRRU.
Step 7	<p>exit</p> <p>Example: Router(config-if)# exit</p>	Exits interface configuration mode and returns to global configuration mode.
Step 8	<p>interface serial slot/port</p> <p>Example: Router(config)# interface serial 0/0</p>	Selects a serial interface to configure and enters interface configuration mode.
Step 9	<p>ppp multilink</p> <p>Example: Router(config-if)# ppp multilink</p>	Enables MLP on the interface.
Step 10	<p>ppp multilink group group-number</p> <p>Example: Router(config-if)# ppp multilink group 1</p>	Restricts a physical link to joining only a designated multilink-group interface.
Step 11	<p>mtu bytes</p> <p>Example: Router(config-if)# mtu 1600</p>	<p>(Optional) Adjusts the maximum packet size or MTU size.</p> <ul style="list-style-type: none"> The default MTU for serial interfaces is 1500. When the bundle interface MTU is tuned to a higher number, then depending upon the fragmentation configuration, the link interface may be given larger frames to transmit. You must ensure that fragmentation is performed such that fragments are sized less than the link interface MTU (refer to command pages for the ppp multilink fragmentation and ppp multilink fragment-delay commands for more information about packet fragments), or configure the MTUs of the link interfaces such that they can transmit the larger frames.
Step 12	<p>exit</p> <p>Example: Router(config-if)# exit</p>	Exits interface configuration mode and returns to global configuration mode.

Troubleshooting Tips

Use the **debug ppp negotiation** command to verify and troubleshoot MRRU negotiation on multilink groups. Use the **show interface** command to verify MRRU negotiation on the interfaces.

Configuring PPP/MLP MRRU Negotiation Configuration on Dialer Interfaces

In this task, you configure MRRU negotiation on the dialer interface. The bundle interface will be a virtual access interface cloned from the dialer interface.

SUMMARY STEPS

1. **enable**
2. **configure terminal**
3. **interface dialer** *number*
4. **ip address** *ip-address mask*
5. **encapsulation ppp**
6. **dialer** *configuration-commands*
7. **ppp multilink**
8. **ppp multilink mrru** [**local** | **remote**] *mrru-value*
9. **mtu** *bytes*
10. **exit**

DETAILED STEPS

	Command or Action	Purpose
Step 1	enable Example: Router> enable	Enables privileged EXEC mode. <ul style="list-style-type: none"> • Enter your password if prompted.
Step 2	configure terminal Example: Router# configure terminal	Enters global configuration mode.
Step 3	interface dialer <i>number</i> Example: Router(config)# interface dialer 1	Defines a dialer rotary group and enters interface configuration mode.
Step 4	ip address <i>ip-address mask</i> Example: Router(config-if)# ip address 10.13.1.1 255.255.255.0	Sets the IP address for the interface.

	Command or Action	Purpose
Step 5	encapsulation <code>ppp</code> Example: Router(config-if)# encapsulation ppp	Sets the PPP encapsulation method.
Step 6	dialer <i>configuration-commands</i> Example: Router(config-if)# dialer string 5550101	Configures dialer interface characteristics. <ul style="list-style-type: none"> The dialer commands you use depend upon your network configuration. Choose from dialer interface configuration commands such as dialer remote-name, dialer idle-timeout, dialer string, and dialer pool. See the “Configuration Examples for PPP/MLP MRRU Negotiation Configuration” and “Related Documents” sections for dialer interface configuration examples.
Step 7	ppp multilink Example: Router(config-if)# ppp multilink	Enables MLP on the interface.
Step 8	ppp multilink mrru [<code>local</code> <code>remote</code>] <i>mrru-value</i> Example: Router(config-if)# ppp multilink mrru local 1600	Configures the MRRU value negotiated on a multilink bundle when MLP is used. <ul style="list-style-type: none"> local—(Optional) Configures the local MRRU value. The default values for the local MRRU are the value of the multilink group interface MTU for multilink group members, and 1524 bytes for all other interfaces. remote—(Optional) Configures the minimum value that the software will accept from the peer when it advertises its MRRU. By default, the software accepts any peer MRRU value of 128 or higher. You can specify a higher minimum acceptable MRRU value in a range from 128 to 16384 bytes.
Step 9	mtu <i>bytes</i> Example: Router(config-if)# mtu 1600	(Optional) Adjusts the maximum packet size or MTU size. <ul style="list-style-type: none"> The default MTU for serial interfaces is 1500.
Step 10	exit Example: Router(config-if)# exit	Exits interface configuration mode and returns to global configuration mode.

Troubleshooting Tips

Use the **debug ppp negotiation** command to verify and troubleshoot MRRU negotiation on multilink groups. Use the **show interface** command to verify MRRU negotiation on dialer interfaces.

Configuration Examples for PPP/MLP MRRU Negotiation Configuration

This section contains the following examples:

- [PPP/MLP MRRU Negotiation Configuration on Virtual Templates: Example, page 1045](#)
- [PPP/MLP MRRU Negotiation Configuration on Multilink Groups: Example, page 1045](#)
- [PPP/MLP MRRU Negotiation Configuration on Dialer Interfaces: Example, page 1046](#)

PPP/MLP MRRU Negotiation Configuration on Virtual Templates: Example

The following example shows how to configure MRRU negotiation on a virtual template with synchronous serial interfaces. The example also applies to asynchronous serial interfaces.

```
multilink virtual-template 1
!
interface virtual-template 1
 ip address 10.13.1.1 255.255.255.0
 mtu 1600
!
interface serial 0/0
 ppp multilink
 ppp multilink mrru local 1600
 mtu 1600
!
interface serial 0/1
 ppp multilink
 ppp multilink mrru local 1600
 mtu 1600
```

PPP/MLP MRRU Negotiation Configuration on Multilink Groups: Example

The following example shows how to configure MRRU negotiation on multilink groups:

```
interface multilink 10
 ip address 10.13.1.1 255.255.255.0
 ppp multilink mrru local 1600
 mtu 1600
!
interface serial 0/0
 ppp multilink
 multilink-group 10
 mtu 1600
!
interface serial 0/1
 ppp multilink
 multilink-group 10
 mtu 1600
```

PPP/MLP MRRU Negotiation Configuration on Dialer Interfaces: Example

The following example shows how to configure MRRU negotiation on dialer interfaces:

```
interface dialer 1
 ip address 10.13.1.1 255.255.255.0
 encapsulation ppp
 dialer remote-name 2610-2
 dialer idle-timeout 30 inbound
 dialer string 5550101
 dialer pool 1
 dialer-group 1
 no cdp enable
 ppp multilink
 ppp multilink mrru local 1600
 mtu 1600
```

Additional References

The following sections provide references related to the PPP/MLP MRRU Negotiation Configuration feature.

Related Documents

Related Topic	Document Title
Configuring media-independent PPP and Multilink PPP	“Part 9: PPP Configuration” in the <i>Cisco IOS Dial Technologies Configuration Guide</i>
PPP and MLP commands	<i>Cisco IOS Dial Technologies Command Reference</i>

Standards

Standards	Title
None	—

MIBs

MIBs	MIBs Link
None	To locate and download MIBs for selected platforms, Cisco IOS releases, and feature sets, use Cisco MIB Locator found at the following URL: http://www.cisco.com/go/mibs

RFCs

RFCs	Title
RFC 1990	<i>The PPP Multilink Protocol (MP)</i>

Technical Assistance

Description	Link
<p>The Cisco Support website provides extensive online resources, including documentation and tools for troubleshooting and resolving technical issues with Cisco products and technologies.</p> <p>To receive security and technical information about your products, you can subscribe to various services, such as the Product Alert Tool (accessed from Field Notices), the Cisco Technical Services Newsletter, and Really Simple Syndication (RSS) Feeds.</p> <p>Access to most tools on the Cisco Support website requires a Cisco.com user ID and password.</p>	http://www.cisco.com/techsupport

Command Reference

The following commands are introduced or modified in the feature or features documented in this module. For information about these commands, see the *Cisco IOS Dial Technologies Command Reference* at http://www.cisco.com/en/US/docs/ios/dial/command/reference/dia_book.html. For information about all Cisco IOS commands, go to the Command Lookup Tool at <http://tools.cisco.com/Support/CLILookup> or to the *Cisco IOS Master Commands List*.

- **ppp multilink mrru**

Feature Information for PPP/MLP MRRU Negotiation Configuration

Table 1 lists the release history for this feature.

Not all commands may be available in your Cisco IOS software release. For release information about a specific command, see the command reference documentation.

Use Cisco Feature Navigator to find information about platform support and software image support. Cisco Feature Navigator enables you to determine which Cisco IOS and Catalyst OS software images support a specific software release, feature set, or platform. To access Cisco Feature Navigator, go to <http://www.cisco.com/go/cfn>. An account on Cisco.com is not required.



Note

Table 1 lists only the Cisco IOS software release that introduced support for a given feature in a given Cisco IOS software release train. Unless noted otherwise, subsequent releases of that Cisco IOS software release train also support that feature.

Table 1 Feature Information for PPP/MLP MRRU Negotiation Configuration

Feature Name	Releases	Feature Information
PPP/MLP MRRU Negotiation Configuration	12.3(7)T 12.0(28)S 12.2(27)SB 12.2(25)S1 12.2(28)SB 12.2(33)SRC	The PPP/MLP MRRU Negotiation Configuration feature allows a router to send and receive frames over MLP bundles that are larger than the default MRRU limit of 1524 bytes.

Cisco and the Cisco Logo are trademarks of Cisco Systems, Inc. and/or its affiliates in the U.S. and other countries. A listing of Cisco's trademarks can be found at www.cisco.com/go/trademarks. Third party trademarks mentioned are the property of their respective owners. The use of the word partner does not imply a partnership relationship between Cisco and any other company. (1005R)

Any Internet Protocol (IP) addresses and phone numbers used in this document are not intended to be actual addresses and phone numbers. Any examples, command display output, network topology diagrams, and other figures included in the document are shown for illustrative purposes only. Any use of actual IP addresses or phone numbers in illustrative content is unintentional and coincidental.

© 2001–2009 Cisco Systems, Inc. All rights reserved.



Troubleshooting Enhancements for Multilink PPP over ATM Link Fragmentation and Interleaving

The Troubleshooting Enhancements for Multilink PPP over ATM Link Fragmentation and Interleaving enhance the output of the **show atm pvc**, **show multilink ppp**, and **show interfaces virtual-access** commands to display multilink PPP (MLP) over ATM link fragmentation and interleaving (LFI) information. This feature also introduces the **debug atm lfi** command, which can be used to display MLP over ATM LFI debugging information.

Feature History for Troubleshooting Enhancements for Multilink PPP over ATM LFI

Release	Modification
12.3(7)T	This feature was introduced.

Finding Support Information for Platforms and Cisco IOS Software Images

Use Cisco Feature Navigator to find information about platform support and Cisco IOS software image support. Access Cisco Feature Navigator at <http://www.cisco.com/go/fn>. You must have an account on Cisco.com. If you do not have an account or have forgotten your username or password, click **Cancel** at the login dialog box and follow the instructions that appear.

Contents

- [How to Troubleshoot Multilink PPP over ATM LFI, page 1050](#)
- [Additional References, page 1051](#)
- [Command Reference, page 1053](#)



How to Troubleshoot Multilink PPP over ATM LFI

This section contains the following procedure:

- [Troubleshooting Multilink PPP over ATM LFI, page 1050](#)

Troubleshooting Multilink PPP over ATM LFI

Perform this task to display information about multilink PPP over ATM LFI connections.

Prerequisites

This task assumes that you have configured multilink PPP over ATM LFI in your network. For information about how to configure multilink PPP over ATM LFI, see the [“Additional References” section on page 1051](#).

SUMMARY STEPS

1. **enable**
2. **show atm pvc** *vpi/vci*
3. **show ppp multilink** [**active** | **inactive** | **interface** *bundle-interface* | [**username** *name*] [**endpoint** *endpoint*]]
4. **show interfaces virtual-access** [*type number*]
5. **debug atm lfi**

DETAILED STEPS

	Command or Action	Purpose
Step 1	enable Example: Router> enable	Enables privileged EXEC mode. • Enter your password if prompted.
Step 2	show atm pvc <i>vpi/vci</i> Example: Router# show atm pvc 15/200	Displays traffic, management, and MLP over ATM LFI information for the specified PVC.
Step 3	show ppp multilink [active inactive interface <i>bundle-interface</i> [username <i>name</i>] [endpoint <i>endpoint</i>]] Example: Router# show ppp multilink username blue	Displays bundle information for MLP bundles.

	Command or Action	Purpose
Step 4	show interfaces virtual-access <i>number</i> Example: Router# show interfaces virtual-access 3	Displays status, traffic data, and configuration information about a specified virtual access interface. <ul style="list-style-type: none"> • Display will indicate if the interface is a member of a multilink PPP bundle.
Step 5	debug atm lfi Example: Router# debug atm lfi	Displays MLP over ATM LFI debug information.

Examples

See the **show atm pvc**, **show ppp multilink**, **show interfaces virtual-access**, and **debug atm lfi** command pages for examples of output and descriptions of the fields in the output. For information about where to find the command pages for these commands, see [Command Reference, page 1053](#).

Additional References

The following sections provide references related to multilink PPP over ATM LFI.

Related Documents

Related Topic	Document Title
LFI for multilink PPP configuration tasks	<i>“Configuring Link Fragmentation and Interleaving for Multilink PPP” chapter in the Cisco IOS Quality of Service Solutions Configuration Guide, Release 12.2</i>
LFI for ATM virtual circuits configuration tasks	<i>“Configuring Link Fragmentation and Interleaving for Frame Relay and ATM Virtual Circuits” chapter in the Cisco IOS Quality of Service Solutions Configuration Guide, Release 12.2</i>
Multilink PPP over ATM LFI commands	<i>Cisco IOS Quality of Service Solutions Command Reference, Release 12.3 T</i>
Multilink PPP configuration tasks	<i>“PPP Configuration” section in the Cisco IOS Dial Technologies Configuration Guide, Release 12.3</i>
Multilink PPP commands	<i>Cisco IOS Dial Technologies Command Reference, Release 12.3 T</i>
ATM configuration tasks	<i>“WAN Protocols” section in the Cisco IOS Wide-Area Networking Configuration Guide, Release 12.3</i>
ATM commands	<i>Cisco IOS Wide-Area Networking Command Reference, Release 12.3 T</i>

MIBs

MIBs	MIBs Link
No new or modified MIBs are supported by this feature.	To locate and download MIBs for selected platforms, Cisco IOS releases, and feature sets, use Cisco MIB Locator found at the following URL: http://www.cisco.com/go/mibs

Technical Assistance

Description	Link
Technical Assistance Center (TAC) home page, containing 30,000 pages of searchable technical content, including links to products, technologies, solutions, technical tips, and tools. Registered Cisco.com users can log in from this page to access even more content.	http://www.cisco.com/public/support/tac/home.shtml

Command Reference

The following commands are introduced or modified in the feature or features documented in this module. For information about these commands, see the *Cisco IOS Dial Technologies Command Reference* at http://www.cisco.com/en/US/docs/ios/dial/command/reference/dia_book.html. For information about all Cisco IOS commands, go to the Command Lookup Tool at <http://tools.cisco.com/Support/CLILookup> or to the *Cisco IOS Master Commands List*.

- **debug atm lfi**
 - **show atm pvc**
 - **show interfaces virtual-access**
 - **show ppp multilink**
-

Cisco and the Cisco Logo are trademarks of Cisco Systems, Inc. and/or its affiliates in the U.S. and other countries. A listing of Cisco's trademarks can be found at www.cisco.com/go/trademarks. Third party trademarks mentioned are the property of their respective owners. The use of the word partner does not imply a partnership relationship between Cisco and any other company. (1005R)

Any Internet Protocol (IP) addresses and phone numbers used in this document are not intended to be actual addresses and phone numbers. Any examples, command display output, network topology diagrams, and other figures included in the document are shown for illustrative purposes only. Any use of actual IP addresses or phone numbers in illustrative content is unintentional and coincidental.

© 2001–2009 Cisco Systems, Inc. All rights reserved.



Implementing Multichassis Multilink PPP

Multilink PPP (MLP) provides the capability of splitting and recombining packets to a single end system across a logical pipe formed by multiple links. MLP provides bandwidth on demand, reduces transmission latency across WAN links, and provides a method of increasing the size of the maximum receive unit. Multichassis Multilink PPP (MMP) provides the additional capability for links to terminate at multiple routers with different remote addresses. MMP allows network access servers and routers to be stacked together and to appear as a single network access server chassis. MMP handles both analog and digital traffic. MMP allows for easy expansion and scalability and for assured fault tolerance and redundancy.

Module History

This module was first published on May 2, 2005, and last updated on September 26, 2005.

Finding Feature Information in This Module

Your Cisco IOS software release may not support all features. To find information about feature support and configuration, use the [“Feature Information for Multichassis Multilink PPP”](#) section on page 1083.

Contents

- [Prerequisites for Implementing Multichassis Multilink PPP, page 1056](#)
- [Restrictions for Implementing Multichassis Multilink PPP, page 1056](#)
- [Information About Multichassis Multilink PPP, page 1056](#)
- [How to Implement Multichassis Multilink PPP, page 1059](#)
- [Configuration Examples for Multichassis Multilink PPP, page 1078](#)
- [Where to Go Next, page 1081](#)
- [Additional References, page 1081](#)
- [Feature Information for Multichassis Multilink PPP, page 1083](#)



Prerequisites for Implementing Multichassis Multilink PPP

**Note**

Effective with Cisco Release 12.4(11)T, the **L2F protocol** was removed in Cisco IOS software.

MMP support on a group of routers requires that each router be configured to support the following:

- Multilink PPP
- Layer 2 Forwarding Protocol (L2F) or Layer 2 Tunnel Protocol (L2TP)

Restrictions for Implementing Multichassis Multilink PPP

- Dialer profiles are not supported with MMP.
- Dial-out is not supported with MMP.
- MMP supports PRI, BRI, serial, and asynchronous interfaces only.

Information About Multichassis Multilink PPP

To configure MLP you should understand the following concepts:

- [Multichassis Multilink PPP, page 1056](#)
- [Stack Group Operation, page 1057](#)
- [Stack Groups with an Offload Server, page 1057](#)
- [Stack Group Bidding Protocol, page 1058](#)
- [Layer 2 Tunnel Protocols Used with MMP, page 1059](#)

Multichassis Multilink PPP

Multilink PPP (MLP) provides the capability of splitting and recombining packets to a single end system across a logical pipe (also called a bundle) formed by multiple links. MLP provides bandwidth on demand and reduces transmission latency across WAN links, and provides a method of increasing the size of the maximum receive unit.

Multichassis Multilink PPP (MMP) provides the additional capability for links to terminate at multiple routers with different remote addresses. MMP can handle both analog and digital traffic. MMP allows for easy expansion and scalability and for assured fault tolerance and redundancy.

MMP is intended for use in networks that have large pools of dial-in users, where a single chassis cannot provide enough dial ports. MMP allows companies to provide a single dialup number to its users and to apply the same solution to analog and digital calls. This feature allows Internet service providers (ISPs), for example, to allocate a single ISDN rotary number to several ISDN PRIs across several routers. This capability allows for easy expansion and scalability and for assured fault tolerance and redundancy.

MMP allows network access servers to be stacked together and to appear as a single network access server chassis so that if one network access server fails, another network access server in the stack can accept calls.

With large-scale dial-out, these features are available for both outgoing and incoming calls.

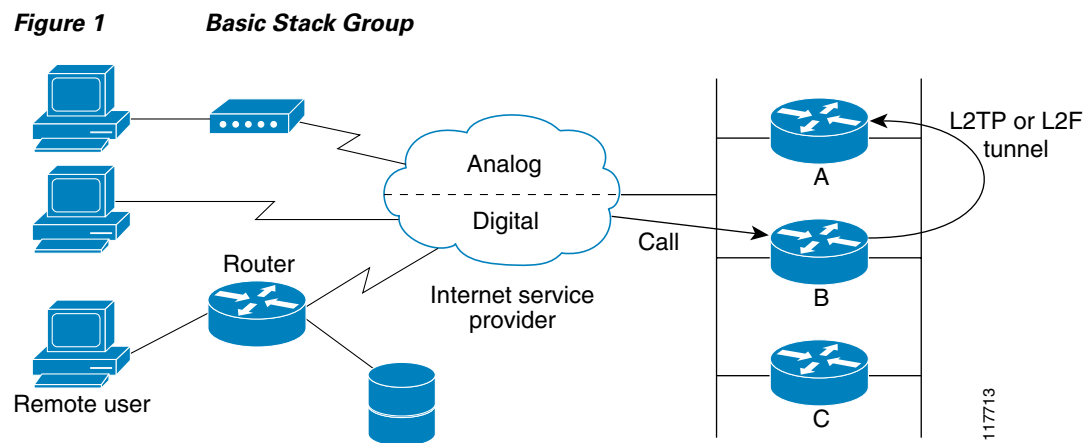
Stack Group Operation

Routers or access servers are configured to belong to groups of peers called stack groups. All members of the stack group are peers; stack groups do not need a permanent lead router. Any stack group member can answer calls coming from a single access number, which can be an E1 or T1 hunt group. Calls can come in from remote user devices, such as routers, modems, ISDN terminal adapters, and PC cards.

Once a connection is established with one member of a stack group, that member owns the call. If a second call comes in from the same client and a different router answers the call, the router establishes a tunnel and forwards all packets that belong to the call to the router that owns the call.

If a more powerful router is available, it can be configured as an offload server for the stack group. The other stack group members forward all calls to the offload server.

Figure 1 shows a basic stack group scenario.



In this scenario, the first call coming in to the stack group is answered by router A. Router A wins the bidding because it already has the call. When the remote device that initiated the call needs more bandwidth it makes a second call to the stack group. Router D answers the second call, but router A wins the bidding because it is already handling a session with that remote device. Router D then establishes a tunnel to router A and forwards the raw PPP data to router A, which reassembles and resequences the packets. If router D receives more calls from that remote device, it enlarges the tunnel to router A to handle the additional traffic. Router D will not establish an additional tunnel to router A. If more calls come in from that remote device and they are answered by any other router in the stack, that router also establishes a tunnel to router A and forwards the raw PPP data. Router A reassembles the data from all calls from that remote device and passes it to the corporate network as if it had all come through on a single link.



Note

High-latency WAN lines between stack group members can make stack group operation inefficient.

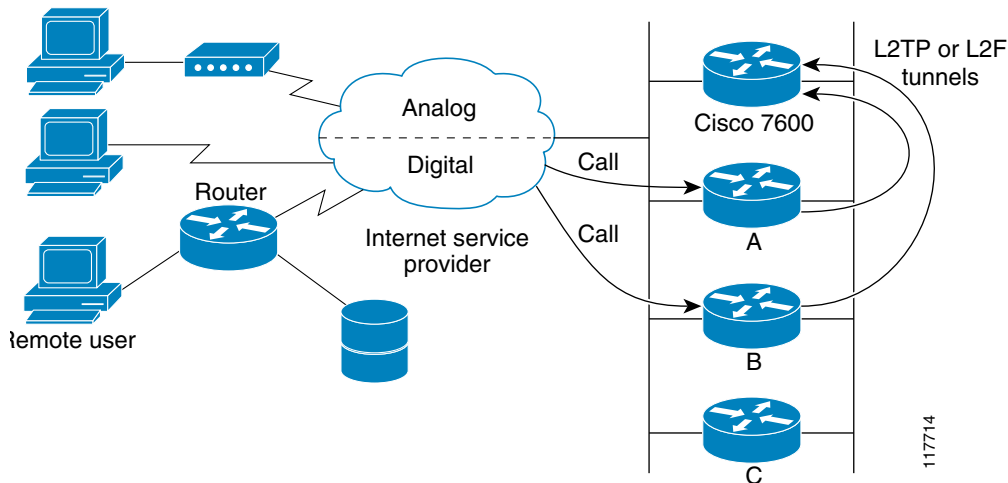
Stack Groups with an Offload Server

Routers or access servers can be configured to belong to groups of peers called stack groups. Any stack group member can answer calls coming from a single access number, which can be an E1 or T1 hunt group. Calls can come in from remote user devices, such as routers, modems, ISDN terminal adapters, and PC cards.

When a more powerful router is available, it can be configured as an offload server for the stack group. The offload server automatically wins the bid for any call. Other members of the stack group answer calls and forward all traffic to the offload server.

Figure 2 shows a stack group scenario with an offload server configured.

Figure 2 Stack Group with an Offload Server



In this scenario, the Cisco 7200 is configured as an offload server. The platform that is configured as an offload server automatically wins the bidding for any call. Other members of the stack group answer calls, establish tunnels, and forward all raw PPP data to the offload server. The offload server reassembles and resequences all the packets that arrive through the stack group and passes it to the corporate network as if it had all come through on a single link.



Note

High-latency WAN lines between stack group members can make stack group operation inefficient.

Stack Group Bidding Protocol

Stack group bidding protocol (SGBP) arbitrates between members of a stack group to establish ownership of a call by evaluating the bids that each platform makes for that call. If all members of a stack group present the same bid, the router or access server that accepted the call will win the bid. In practice, SGBP is usually more complex. The SGBP bid from a stack group member is a function of locality, a configurable weighted metric, CPU type, and the number of existing MLP bundles. For more information about manually configuring SGBP bidding, refer to the “Usage Guidelines” section of the `sgbp seed-bid` command in the *Cisco IOS VPDN Command Reference*, Release 12.4.

Layer 2 Tunnel Protocols Used with MMP

**Note**

Effective with Cisco Release 12.4(11)T, the **L2F protocol** was removed in Cisco IOS software.

When a call must be forwarded from one member of the stack group to the member that owns the call, Layer 2 Forwarding (L2F) or Layer 2 Tunneling Protocol (L2TP) is used. L2F or L2TP performs standard PPP operations up to the authentication phase, but the authentication phase is not completed locally. L2F or L2TP projects the link to the target stack member (the owner of the call), where the authentication phase is resumed and completed.

For more information on the L2TP and L2F protocols, refer to the “[VPDN Technology Overview](#)” module in the *Cisco IOS VPDN Configuration Guide*, Release 12.4.

How to Implement Multichassis Multilink PPP

**Note**

Effective with Cisco Release 12.4(11)T, the **L2F protocol** was removed in Cisco IOS software.

This section contains the following tasks:

- [Configuring a Stack Group, page 1059](#) (required)
- [Verifying and Troubleshooting Stack Group Configuration, page 1061](#) (optional)
- [Configuring MMP, page 1063](#) (required)
- [Verifying and Troubleshooting MMP Configurations, page 1076](#) (optional)

Configuring a Stack Group

To configure MMP, you must first configure a stack group. Perform the task in this section to configure a stack group.

Restrictions

- A router or access server can belong to only one stack group.
- All members of a stack group must have the same stack group name and password defined.
- The following tunneling protocols are supported for forwarding SGBP calls between stack group members:
 - Releases prior to Cisco IOS Release 12.2(4)T—L2F is the only supported tunneling protocol.
 - Cisco IOS Release 12.2(4)T and later releases—Both L2TP and L2F are supported.
- If the stack group will receive incoming MLP calls over a VPDN tunnel, each stack group member must be configured to accept incoming VPDN tunnels, and multihop VPDN must be enabled. For more information about configuring stack group members to accept incoming VPDN tunnels and enabling multihop VPDN, refer to the “[Configuring Multihop VPDN](#)” module in the *Cisco IOS VPDN Configuration Guide*, Release 12.4.

SUMMARY STEPS

1. **enable**
2. **configure terminal**
3. **username** *name* **password** *secret*
4. **sgbp group** *name*
5. **sgbp member** *peer-name* [*peer-ip-address*]
6. **sgbp protocol** {**any** | **l2f** | **l2tp**}
7. **sgbp seed-bid** {**default** | **offload** | **forward-only** | **bid**}

DETAILED STEPS

	Command or Action	Purpose
Step 1	enable Example: Router> enable	Enables privileged EXEC mode. <ul style="list-style-type: none"> • Enter your password if prompted.
Step 2	configure terminal Example: Router# configure terminal	Enters global configuration mode.
Step 3	username <i>name</i> password <i>secret</i> Example: Router(config)# username user1 password mypassword	Establishes a username-based authentication system.
Step 4	sgbp group <i>name</i> Example: Router(config)# sgbp group stack1	Defines a named stack group and make this router a member of that stack group.
Step 5	sgbp member <i>peer-name</i> [<i>peer-ip-address</i>] Example: Router(config)# sgbp member routera 10.1.1.1	Specifies the hostname and IP address of a router or access server that is a peer member of a stack group. Note You should configure a sgbp member command for each other member of the stack group.

	Command or Action	Purpose
Step 6	<pre>sgbp protocol {any l2f l2tp}</pre> <p>Example: Router(config)# sgbp protocol l2f</p>	<p>(Optional) Sets a specific tunneling protocol to use for SGBP.</p> <ul style="list-style-type: none"> This command is available only in Cisco IOS Release 12.2(4)T and later releases. The any keyword is the default value. Both L2TP and L2F bids are allowed. There is a preference for L2TP if both devices support it. <p>Note Effective with Cisco Release 12.4(11)T, the L2F protocol was removed in Cisco IOS software.</p>
Step 7	<pre>sgbp seed-bid {default offload forward-only bid}</pre> <p>Example: Router(config)# sgbp seed-bid offload</p>	<p>(Optional) Sets the bidding level that a stack group member can bid with for a bundle.</p> <p>Note If you configure an offload server using the offload keyword, all other members of the stack group must be configured with the default keyword. The default value for the sgbp seed-bid command is default.</p>

What to Do Next

- To verify the configuration of your stack group, you may perform the optional tasks in the “[Verifying and Troubleshooting Stack Group Configuration](#)” section.
- You must perform the required task in the “[Configuring MMP](#)” section.

Verifying and Troubleshooting Stack Group Configuration

To ensure that your stack group is configured and running correctly, perform the following optional task.

SUMMARY STEPS

- enable
- show sgbp
- debug sgbp hellos
- debug sgbp error

DETAILED STEPS

Step 1 enable

Enter this command to enable privileged EXEC mode. Enter your password if prompted:

```
RouterA> enable
```

Step 2 show sgbp

Enter this command to display the status of the stack group members.

The following is sample output from the **show sgbp** command issued on Router A of a four member stack:

```

RouterA# show sgbp

Group Name: stack State: 0 Ref: 0xC07B060
  Member Name: routerb State: ACTIVE Id: 1
  Ref: 0xC14256F
  Address: 10.1.1.2 Tcb: 0x60B34538

  Member Name: routerc State: ACTIVE Id: 2
  Ref: 0xA24256D
  Address: 10.1.1.3 Tcb: 0x60B34439

  Member Name: routerd State: IDLE Id: 3
  Ref: 0x0
  Address: 10.1.1.4 Tcb: 0x0

```

The State field displays the status of the member. The State is 0 for the stack group itself, and should be ACTIVE for each of the members of the group. IDLE is a valid state for remote stack members that are intentionally inactive.

Step 3 debug sgbp hellos

Enter this command to enable the display of debug messages for authentication between stack members.

The following output displays successful authentication between two stack members:

```

RouterA# debug sgbp hellos

%SGBP-7-CHALLENGE: Send Hello Challenge to routerb group stack1
%SGBP-7-CHALLENGED: Hello Challenge message from member routerb (10.1.1.2)
%SGBP-7-RESPONSE: Send Hello Response to routerb group stack1
%SGBP-7-CHALLENGE: Send Hello Challenge to routerb group stack1
%SGBP-7-RESPONDED: Hello Response message from member routerb (10.1.1.2)
%SGBP-7-AUTHOK: Send Hello Authentication OK to member routerb (10.1.1.2)
%SGBP-7-INFO: Addr = 10.1.1.2 Reference = 0xC347DF7
%SGBP-5-ARRIVING: New peer event for member routerb

```

This output shows Router A sending a successful Challenge Handshake Authentication Protocol (CHAP) challenge to and receiving a response from routerb. Similarly, Router B sends out a challenge and receives a response from routera.

If authentication fails, you may see one of the following messages in your debug output:

```

RouterA# debug sgbp hellos

%SGBP-7-AUTHFAILED - Member routerb failed authentication

```

This error message means that the remote Router B password for the stack group does not match the password defined on Router A. To correct this error, make sure that both Router A and Router B have the same password defined.

```

RouterA# debug sgbp hellos

%SGBP-7-NORESP -Fail to respond to routerb group stack1, may not have password

```

This error message means that Router A does not have a username or password defined. To correct this error, define a common password across all stack members.

Step 4 debug sgbp error

Enter this command to enable the display of debug messages about routing problems between members of a stack group.

One common configuration error is setting a source IP address for a stack member that does not match the locally defined IP address for the same stack member. The following debug output shows the error message that results from this misconfiguration:

```
RouterA# debug sgbp error
```

```
%SGBP-7-DIFFERENT - routerb's addr 10.1.1.2 is different from hello's addr 10.3.4.5
```

This error message means that the source IP address of the SGBP hello received from Router B does not match the IP address configured locally for Router B (through the **sgbp member** command). Correct this configuration error by going to Router B and checking for multiple interfaces by which the SGBP hello can transmit the message.

Another common error message is:

```
RouterA# debug sgbp error
```

```
%SGBP-7-MISCONF, Possible misconfigured member routerk (10.1.1.6)
```

This error message means that you do not have Router K defined locally, but another stack member does. Correct this configuration error by defining Router K across all members of the stack group.

The following error message indicates that an SGBP peer is leaving the stack group:

```
RouterA# debug sgbp error
```

```
%SGBP-7-LEAVING:Member routerc leaving group stack1
```

This error message indicates that the peer Router C is leaving the stack group. Router C could be leaving the stack group intentionally, or a connectivity problem may exist.

The following error message indicates that an SGBP event was detected from an unknown peer:

```
RouterA# debug sgbp error
```

```
%SGBP-7-UNKNOWPEER:Event 0x10 from peer at 172.21.54.3
```

An SGBP event came from a network host that was not recognizable as an SGBP peer. Check to see if a network media error could have corrupted the address, or if peer equipment is malfunctioning to generate corrupted packets. Depending on the network topology and firewall, SGBP packets from a nonpeer host could indicate probing and attempts to breach security. If there is a chance your network is under attack, obtain knowledgeable assistance.

What to Do Next

Once your stack group has been configured, proceed to the [“Configuring MMP”](#) section.

Configuring MMP

Once a stack group has been configured, you must configure MMP on the members of the stack group. The MMP configuration of the stack group members depends on the type of interfaces you have. You must choose the configuration task that matches the type of interface you are configuring.

If you are configuring MMP on asynchronous, serial, or other nondialer interfaces, you may choose to support MMP without any dialer configuration on those interfaces. In this case, you must define a virtual template to serve as the source of configuration information for the virtual access interfaces. Virtual access interfaces serve as both bundle interfaces and projected PPP links. These interfaces are dynamically created on demand.

If dialers are configured on physical interfaces, or the interface is a native dialer such as ISDN PRIs and BRIs, no virtual template needs to be defined. The virtual access interface acts as a passive interface, buttressed between the dialer interface and the physical interfaces associated with the dialer interface. Only the PPP commands from the dialer interface configuration will be applied to the bundle interface and projected PPP links.

Perform one of the following tasks depending on the type of interface you are configuring:

- [Configuring MMP on a Nondialer Interface, page 1064](#)
- [Configuring MMP on an Explicitly Defined Dialer Interface with a T1 Controller, page 1066](#)
- [Configuring MMP on an Explicitly Defined Dialer Interface with an E1 Controller, page 1071](#)
- [Configuring MMP on a Native Dialer Interface, page 1074](#)

This section also contains an optional Troubleshooting Tips section, which applies to MMP configurations on all types of interfaces.

- [Verifying and Troubleshooting MMP Configurations, page 1076](#) (optional)

Configuring MMP on a Nondialer Interface

Perform this task if you are configuring MMP on a physical interface that is not configured as a dialer.

Prerequisites

A stack group must be configured before MMP is implemented. To configure a stack group, perform the task in the “[Configuring a Stack Group](#)” section.

SUMMARY STEPS

1. **enable**
2. **configure terminal**
3. **multilink virtual-template** *number*
4. **ip local pool** { **default** | **poolname** } [*low-ip-address* [*high-ip-address*]] [**group** *group-name*] [*cache-size size*]
5. **interface virtual-template** *number*
6. **ip unnumbered** *type number*
7. **no ip route-cache**
8. **encapsulation** *type*
9. **ppp multilink** [**bap**]
10. **ppp authentication** *protocol1* [*protocol2...*] [**if-needed**] [*list-name* | **default**] [**callin**] [**one-time**] [**optional**]

DETAILED STEPS

	Command or Action	Purpose
Step 1	enable Example: Router> enable	Enables privileged EXEC mode. <ul style="list-style-type: none">• Enter your password if prompted.
Step 2	configure terminal Example: Router# configure terminal	Enters global configuration mode.
Step 3	multilink virtual-template <i>number</i> Example: Router(config)# multilink virtual-template 1	Specifies a virtual template from which the specified MLP bundle interface can clone its interface parameters.
Step 4	ip local pool {default poolname } [<i>low-ip-address</i> [<i>high-ip-address</i>]] [group <i>group-name</i>] [cache-size <i>size</i>] Example: Router(config)# ip local pool default 10.10.1.1 10.10.1.100	Configures a local pool of IP addresses to be used when a remote peer connects to a point-to-point interface.
Step 5	interface virtual-template <i>number</i> Example: Router(config)# interface virtual-template 1	Creates a virtual template interface that can be configured and applied dynamically in creating virtual access interfaces and enters interface configuration mode.
Step 6	ip unnumbered <i>type number</i> Example: Router(config-if)# ip unnumbered ethernet 0	Enables IP processing on a serial interface without assigning an explicit IP address to the interface. Note Do not define a specific IP address in the virtual template. If a specific IP address is defined in the virtual template, multiple virtual access interfaces with the same IP address can be established on a stack member. IP will erroneously route between the two virtual access interfaces.
Step 7	no ip route-cache Example: Router(config-if)# no ip route-cache	(Optional) Controls the use of high-speed switching caches for IP routing.
Step 8	encapsulation <i>type</i> Example: Router(config-if)# encapsulation ppp	Sets the encapsulation method used by the interface.

	Command or Action	Purpose
Step 9	<code>ppp multilink [bap]</code> Example: Router(config-if)# ppp multilink	Enables MLP on an interface and, optionally, enables Bandwidth Allocation Control Protocol (BACP) and its Bandwidth Allocation Protocol (BAP) subset for dynamic bandwidth allocation.
Step 10	<code>ppp authentication protocol1 [protocol2...] [if-needed] [list-name default] [callin] [one-time] [optional]</code> Example: Router(config-if)# ppp authentication chap	Enables CHAP or Password Authentication Protocol (PAP) or both and specifies the order in which CHAP and PAP authentication is selected on the interface.

What to Do Next

You may perform the optional tasks in the “[Verifying and Troubleshooting MMP Configurations](#)” section.

Configuring MMP on an Explicitly Defined Dialer Interface with a T1 Controller

Perform this task to configure a physical interface as a dialer interface and enable MMP. Perform this task if you are configuring MMP on a dialer interface that is not a native dialer and you have a T1 PRI controller.

Prerequisites

A stack group must be configured before MMP is implemented. To configure a stack group, perform the task in the “[Configuring a Stack Group](#)” section.

SUMMARY STEPS

1. `enable`
2. `configure terminal`
3. `interface dialer dialer-rotary-group-number`
4. `ip unnumbered type number`
5. `dialer in-band [no-parity | odd-parity]`
6. `dialer-group group-number`
7. `dialer idle-timeout seconds [inbound | either]`
8. `encapsulation type`
9. `ppp multilink [bap]`
10. `ppp authentication protocol1 [protocol2...] [if-needed] [list-name | default] [callin] [one-time] [optional]`
11. `exit`
12. `controller t1 number`
13. `framing {sf | esf}`
14. `linecode {ami | b8zs}`

15. **pri-group timeslots** *timeslot-range* [**nfas_d** {**backup** | **none** | **primary** {**nfas_int** *number* | **nfas_group** *number* | **rlm-group** *number*}} | **service**]
16. **exit**
17. **interface serial** *controller-number:timeslot*
18. **no ip** address
19. **encapsulation** *type*
20. **ppp multilink** [**bap**]
21. **ppp authentication** *protocol1* [*protocol2...*] [**if-needed**] [*list-name* | **default**] [**callin**] [**one-time**] [**optional**]
22. **dialer rotary-group** *interface-number*
23. **dialer-group** *group-number*

DETAILED STEPS

	Command or Action	Purpose
Step 1	enable Example: Router> enable	Enables privileged EXEC mode. <ul style="list-style-type: none"> Enter your password if prompted.
Step 2	configure terminal Example: Router# configure terminal	Enters global configuration mode.
Step 3	interface dialer dialer-rotary-group-number Example: Router(config)# interface dialer 1	Defines a dialer rotary group and enters interface configuration mode.
Step 4	ip unnumbered type number Example: Router(config-if)# ip unnumbered ethernet 0	Enables IP processing on a serial interface without assigning an explicit IP address to the interface. Note Do not define a specific IP address on the interface. If a specific IP address is defined on the interface, multiple virtual access interfaces with the same IP address can be established on a stack member. IP will erroneously route between the two virtual access interfaces.
Step 5	dialer in-band [no-parity odd-parity] Example: Router(config-if)# dialer in-band	(Optional) Specifies that dial-on-demand routing (DDR) is to be supported.
Step 6	dialer-group group-number Example: Router(config-if)# dialer group 1	Controls access by configuring an interface to belong to a specific dialing group.
Step 7	dialer idle-timeout seconds [inbound either] Example: Router(config-if)# dialer idle timeout 400	(Optional) Specifies the duration of idle time before a line is disconnected. Note The default timeout value is 120 seconds. You may want to configure a higher timeout value to prevent intermittent disconnection issues from occurring. Note You must configure the dialer in-band command before configuring the dialer idle-timeout command.
Step 8	encapsulation type Example: Router(config-if)# encapsulation ppp	Sets the encapsulation method used by the interface.

	Command or Action	Purpose
Step 9	<code>ppp multilink [bap]</code> Example: Router(config-if)# ppp multilink	Enables MLP on an interface and, optionally, enables BACP and its BAP subset for dynamic bandwidth allocation.
Step 10	<code>ppp authentication protocol1 [protocol2...] [if-needed] [list-name default] [callin] [one-time] [optional]</code> Example: Router(config-if)# ppp authentication chap	Enables CHAP or PAP or both and specifies the order in which CHAP and PAP authentication is selected on the interface.
Step 11	<code>exit</code> Example: Router(config-if)# exit	Exits interface configuration mode.
Step 12	<code>controller t1 number</code> Example: Router(config)# controller t1 0	Configures a T1 controller and enters controller configuration mode. Note Specific platforms may have different command syntax available for the controller command. To determine the command syntax that applies to your platform, refer to the controller command documentation in the Cisco IOS Dial Technologies Command Reference , Release 12.4, or use the command line help system.
Step 13	<code>framing {sf esf}</code> Example: Router(config-controller)# framing esf	Selects the frame type for the T1 data line.
Step 14	<code>linecode {ami b8zs}</code> Example: Router(config-controller)# linecode b8zs	Selects the line-code type for T1 lines.
Step 15	<code>pri-group timeslots timeslot-range [nfas_d {backup none primary {nfas_int number nfas_group number rlm-group number}} service]</code> Example: Router(config-controller)# pri-group timeslots 1-24	Specifies an ISDN PRI group on a channelized T1 or E1 controller and to releases the ISDN PRI signaling time slot.
Step 16	<code>exit</code> Example: Router(config-controller)# exit	Exits controller configuration mode.

	Command or Action	Purpose
Step 17	<p>interface serial <i>controller-number:timeslot</i></p> <p>Example: Router(config)# interface serial 0:23</p>	<p>Specifies a serial interface created on a channelized E1 or channelized T1 controller (for ISDN PRI, channel-associated signaling, or robbed-bit signaling) and enters interface configuration mode.</p> <p>Note Specific platforms may have different command syntax available for the interface serial command. To determine the command syntax that applies to your platform, refer to the interface serial command documentation in the <i>Cisco IOS Dial Technologies Command Reference</i>, Release 12.4, or use the command line help system.</p>
Step 18	<p>no ip address</p> <p>Example: Router(config-if)# no ip address</p>	Disables IP processing on an interface.
Step 19	<p>encapsulation <i>type</i></p> <p>Example: Router(config-if)# encapsulation ppp</p>	Sets the encapsulation method used by the interface.
Step 20	<p>ppp multilink [<i>bap</i>]</p> <p>Example: Router(config-if)# ppp multilink</p>	Enables MLP on an interface and, optionally, enables BACP and its BAP subset for dynamic bandwidth allocation.
Step 21	<p>ppp authentication <i>protocol1</i> [<i>protocol2...</i>] [<i>if-needed</i>] [<i>list-name</i> default] [callin] [one-time] [optional]</p> <p>Example: Router(config-if)# ppp authentication chap</p>	Enables CHAP or PAP or both and specifies the order in which CHAP and PAP authentication is selected on the interface.
Step 22	<p>dialer rotary-group <i>interface-number</i></p> <p>Example: Router(config-if)# dialer rotary-group 1</p>	Includes a specified interface in a dialer rotary group.
Step 23	<p>dialer-group <i>group-number</i></p> <p>Example: Router(config-if)# dialer-group 1</p>	(Optional) Controls access by configuring an interface to belong to a specific dialing group.

What to Do Next

You may perform the optional tasks in the “[Verifying and Troubleshooting MMP Configurations](#)” section.

Configuring MMP on an Explicitly Defined Dialer Interface with an E1 Controller

Perform this task to configure a physical interface as a dialer interface and enable MMP. Perform this task if you are configuring MMP on a dialer interface that is not a native dialer and you have an E1 PRI controller.

Prerequisites

A stack group must be configured before MMP is implemented. To configure a stack group, perform the task in the “[Configuring a Stack Group](#)” section.

SUMMARY STEPS

1. **enable**
2. **configure terminal**
3. **interface dialer** *dialer-rotary-group-number*
4. **ip unnumbered** *type number*
5. **dialer in-band** [**no-parity** | **odd-parity**]
6. **dialer-group** *group-number*
7. **dialer idle-timeout** *seconds* [**inbound** | **either**]
8. **encapsulation** *type*
9. **ppp multilink** [**bap**]
10. **ppp authentication** *protocol1* [*protocol2...*] [**if-needed**] [*list-name* | **default**] [**callin**] [**one-time**] [**optional**]
11. **exit**
12. **controller e1** *number*
13. **framing** { **crc4** | **no-crc4** } [**australia**]
14. **linecode** { **ami** | **hdb3** }
15. **pri-group timeslots** *timeslot-range* [**nfas_d** { **backup** | **none** | **primary** { **nfas_int** *number* | **nfas_group** *number* | **rlm-group** *number* } } | **service**]
16. **exit**
17. **interface serial** *controller-number:timeslot*
18. **no ip address**
19. **encapsulation** *type*
20. **ppp multilink** [**bap**]
21. **ppp authentication** *protocol1* [*protocol2...*] [**if-needed**] [*list-name* | **default**] [**callin**] [**one-time**] [**optional**]
22. **dialer rotary-group** *interface-number*
23. **dialer-group** *group-number*

DETAILED STEPS

	Command or Action	Purpose
Step 1	enable Example: Router> enable	Enables privileged EXEC mode. <ul style="list-style-type: none"> Enter your password if prompted.
Step 2	configure terminal Example: Router# configure terminal	Enters global configuration mode.
Step 3	interface dialer dialer-rotary-group-number Example: Router(config)# interface dialer 1	Defines a dialer rotary group and enters interface configuration mode.
Step 4	ip unnumbered type number Example: Router(config-if)# ip unnumbered ethernet 0	Enables IP processing on a serial interface without assigning an explicit IP address to the interface. Note Do not define a specific IP address on the interface. If a specific IP address is defined on the interface, multiple virtual access interfaces with the same IP address can be established on a stack member. IP will erroneously route between the two virtual access interfaces.
Step 5	dialer in-band [no-parity odd-parity] Example: Router(config-if)# dialer in-band	(Optional) Specifies that dial-on-demand routing (DDR) is to be supported.
Step 6	dialer-group group-number Example: Router(config-if)# dialer group 1	Controls access by configuring an interface to belong to a specific dialing group.
Step 7	dialer idle-timeout seconds [inbound either] Example: Router(config-if)# dialer idle timeout 400	(Optional) Specifies the duration of idle time before a line is disconnected. Note The default timeout value is 120 seconds. You may want to configure a higher timeout value to prevent intermittent disconnection issues from occurring. Note You must configure the dialer in-band command before configuring the dialer idle-timeout command.
Step 8	encapsulation type Example: Router(config-if)# encapsulation ppp	Sets the encapsulation method used by the interface.

	Command or Action	Purpose
Step 9	<code>ppp multilink [bap]</code> Example: Router(config-if)# ppp multilink	Enables MLP on an interface and, optionally, enables BACP and its BAP subset for dynamic bandwidth allocation.
Step 10	<code>ppp authentication protocol1 [protocol2...] [if-needed] [list-name default] [callin] [one-time] [optional]</code> Example: Router(config-if)# ppp authentication chap	Enables CHAP or PAP or both and specifies the order in which CHAP and PAP authentication is selected on the interface.
Step 11	<code>exit</code> Example: Router(config-if)# exit	Exits interface configuration mode.
Step 12	<code>controller e1 number</code> Example: Router(config)# controller e1 0	Configures an E1 controller and enters controller configuration mode. Note Specific platforms may have different command syntax available for the controller command. To determine the command syntax that applies to your platform, refer to the controller command documentation in the Cisco IOS Dial Technologies Command Reference , Release 12.4, or use the command line help system.
Step 13	<code>framing {crc4 no-crc4} [australia]</code> Example: Router(config-controller)# framing sfadm	Selects the frame type for the E1 data line.
Step 14	<code>linecode {ami hdb3}</code> Example: Router(config-controller)# linecode ami	Selects the line-code type for E1 lines.
Step 15	<code>pri-group timeslots timeslot-range [nfas_d {backup none primary {nfas_int number nfas_group number rlm-group number}} service]</code> Example: Router(config-controller)# pri-group timeslots 1-31	Specifies an ISDN PRI group on a channelized T1 or E1 controller and to releases the ISDN PRI signaling time slot.
Step 16	<code>exit</code> Example: Router(config-controller)# exit	Exits controller configuration mode.

	Command or Action	Purpose
Step 17	<p>interface serial <i>controller-number:timeslot</i></p> <p>Example: Router(config)# interface serial 0:15</p>	<p>Specifies a serial interface created on a channelized E1 or channelized T1 controller (for ISDN PRI, channel-associated signaling, or robbed-bit signaling) and enters interface configuration mode.</p> <p>Note Specific platforms may have different command syntax available for the interface serial command. To determine the command syntax that applies to your platform, refer to the interface serial command documentation in the <i>Cisco IOS Dial Technologies Command Reference</i>, Release 12.4, or use the command line help system.</p>
Step 18	<p>no ip address</p> <p>Example: Router(config-if)# no ip address</p>	Disables IP processing on an interface.
Step 19	<p>encapsulation type</p> <p>Example: Router(config-if)# encapsulation ppp</p>	Sets the encapsulation method used by the interface.
Step 20	<p>ppp multilink [bap]</p> <p>Example: Router(config-if)# ppp multilink</p>	Enables MLP on an interface and, optionally, enables BACP and its BAP subset for dynamic bandwidth allocation.
Step 21	<p>ppp authentication protocol1 [protocol2...] [if-needed] [list-name default] [callin] [one-time] [optional]</p> <p>Example: Router(config-if)# ppp authentication chap</p>	Enables CHAP or PAP or both and specifies the order in which CHAP and PAP authentication is selected on the interface.
Step 22	<p>dialer rotary-group interface-number</p> <p>Example: Router(config-if)# dialer rotary-group 1</p>	Includes a specified interface in a dialer rotary group.
Step 23	<p>dialer-group group-number</p> <p>Example: Router(config-if)# dialer-group 1</p>	(Optional) Controls access by configuring an interface to belong to a specific dialing group.

What to Do Next

You may perform the optional tasks in the “[Verifying and Troubleshooting MMP Configurations](#)” section.

Configuring MMP on a Native Dialer Interface

Perform this task to configure MMP on a native dialer interface (ISDN PRI or BRI).

Prerequisites

A stack group must be configured before MMP is implemented. To configure a stack group, perform the task in the “[Configuring a Stack Group](#)” section.

SUMMARY STEPS

1. **enable**
2. **configure terminal**
3. **interface serial** *number*
4. **ip unnumbered** *type number*
5. **dialer-group** *group-number*
6. **dialer rotary-group** *interface-number*
7. **encapsulation** *type*
8. **ppp multilink** [**bap**]
9. **ppp authentication** *protocol1* [*protocol2...*] [**if-needed**] [*list-name* | **default**] [**callin**] [**one-time**] [**optional**]

DETAILED STEPS

	Command or Action	Purpose
Step 1	enable Example: Router> enable	Enables privileged EXEC mode. <ul style="list-style-type: none"> • Enter your password if prompted.
Step 2	configure terminal Example: Router# configure terminal	Enters global configuration mode.
Step 3	interface serial <i>number</i> Example: Router(config)# interface serial 0:23	Specifies a serial interface created on a channelized E1 or channelized T1 controller (for ISDN PRI, channel-associated signaling, or robbed-bit signaling) and enters interface configuration mode. Note Specific platforms may have different command syntax available for the interface serial command. To determine the command syntax that applies to your platform, refer to the interface serial command documentation in the Cisco IOS Dial Technologies Command Reference , Release 12.4, or use the command line help system.
Step 4	ip unnumbered <i>type number</i> Example: Router(config-if)# ip unnumbered ethernet 0	Enables IP processing on a serial interface without assigning an explicit IP address to the interface.

	Command or Action	Purpose
Step 5	dialer-group <i>group-number</i> Example: Router(config-if)# dialer-group 1	Controls access by configuring an interface to belong to a specific dialing group.
Step 6	dialer rotary-group <i>interface-number</i> Example: Router(config-if)# dialer rotary-group 1	Includes a specified interface in a dialer rotary group.
Step 7	encapsulation <i>type</i> Example: Router(config-if)# encapsulation ppp	Sets the encapsulation method used by the interface.
Step 8	ppp multilink [bap] Example: Router(config-if)# ppp multilink	Enables MLP on an interface and, optionally, enables BACP and its BAP subset for dynamic bandwidth allocation.
Step 9	ppp authentication <i>protocol1</i> [<i>protocol2...</i>] [if-needed] [<i>list-name</i> default] [callin] [one-time] [optional] Example: Router(config-if)# ppp authentication chap	Enables CHAP or PAP or both and specifies the order in which CHAP and PAP authentication is selected on the interface.

What to Do Next

You may perform the optional tasks in the “[Verifying and Troubleshooting MMP Configurations](#)” section.

Verifying and Troubleshooting MMP Configurations

To troubleshoot problems with MMP, perform the following optional tasks:

- [Verifying the LCP and NCP States, page 1076](#)
- [Debugging Layer 2 Tunnel Protocols Used with MMP, page 1077](#)

Verifying the LCP and NCP States

Perform this task to verify the link control protocol (LCP) and Network Control Protocol (NCP) states on the bundle interface.

SUMMARY STEPS

1. **enable**
2. **show interfaces virtual-access** *number* [**configuration**]
3. **show interfaces** [*type number*]

DETAILED STEPS

Step 1 enable

Enter this command to enable privileged EXEC mode. Enter your password if prompted:

```
Router> enable
```

Step 2 show interfaces virtual-access *number*

Enter this command to display status, traffic data, and configuration information about a specified virtual access interface.

The LCP state and IP Control Protocol (IPCP), the NCP for PPP, should be in the Open state. The following output displays the LCP and NCP states for a functional bundle interface:

```
Router# show interfaces virtual-access 1

Virtual-Access1 is up, line protocol is up
:
LCP Open, Multilink Open
Open: ipcp
```

Step 3 show interfaces [*type number*]

Enter this command to display statistics for all interfaces configured on the router or access server.

To verify the LCP and NCP states on the stack group member interfaces, issue the **show interface** command. The LCP state should be open on all member interfaces, but IPCP should be closed. The following output displays the LCP and NCP states for a functional interface on a stack group member:

```
Router# show interfaces Serial 0:4

Serial0:4 is up, line protocol is up
:
LCP Open, Multilink Open
Closed: ipcp
```

Debugging Layer 2 Tunnel Protocols Used with MMP

Perform this optional task to verify that the Layer 2 protocol is forwarding projected links properly.

SUMMARY STEPS

1. **enable**
2. **debug vpdn event**
3. **debug vpn error**
4. **debug vpdn l2f-error**

DETAILED STEPS

Step 1 enable

Enter this command to enable privileged EXEC mode. Enter your password if prompted:

```
Router> enable
```

Step 2 `debug vpdn event`

Enter this command to display L2TP errors and events that are a part of normal tunnel establishment or shutdown for VPDNs.

```
Router# debug vpdn event
```

Step 3 `debug vpdn error`

Enter this command to turn on VPDN error debug messages.

```
Router# debug vpdn error
```

The following debug output shows an incoming call being successfully forwarded to the target stack member from the router that accepted the call:

```
Serial0:21 VPN Forwarding
Serial0:21 VPN vpn_forward_user userx is forwarded
```

The following debug output shows the target stack member successfully receiving the projected link:

```
Virtual-Access1 VPN PPP LCP accepted sent & rcv CONFACK
```

If you see the following debug output on the target stack member, verify the definitions of your virtual template interface. The virtual template interface must match the PPP interface parameters of the physical interface that accepted the call.

```
Virtual-Access1 VPN PPP LCP not accepting rcv CONFACK
Virtual-Access1 VPN PPP LCP not accepting sent CONFACK
```

Step 4 `debug vpdn l2f-error`**Note**

Effective with Cisco Release 12.4(11)T, the **L2F protocol** was removed in Cisco IOS software.

Enter this command to enable the display of debug messages used to troubleshoot L2TPv3 and the surrounding Layer 2 tunneling infrastructure.

If you see the following debug output on a stack member, the stack group name and password may not match across all stack members:

```
Router# debug vpdn l2f-error

L2F Tunnel authentication failed for stackg
```

Configuration Examples for Multichassis Multilink PPP

This section contains the following configuration examples:

- [Configuring a Basic Stack Group: Example, page 1079](#)
- [Configuring an L2TP Stack Group with an Offload Server: Example, page 1079](#)
- [Configuring MMP on a Nondialer Interface: Example, page 1080](#)
- [Configuring MMP on an Explicitly Defined Dialer Interface with a T1 Controller: Example, page 1080](#)
- [Configuring MMP on an Explicitly Defined Dialer Interface with an E1 Controller, page 1071](#)
- [Configuring MMP on a Native Dialer Interface: Example, page 1081](#)

Configuring a Basic Stack Group: Example

The following configuration example creates a basic stack group with three members:

Router A Configuration

```
username user1 password mypassword
sgbp group stack1
sgbp member routerb 10.1.1.2
sgbp member routerc 10.1.1.3
```

Router B Configuration

```
username user1 password mypassword
sgbp group stack1
sgbp member routera 10.1.1.1
sgbp member routerc 10.1.1.3
```

Router C Configuration

```
username user1 password mypassword
sgbp group stack1
sgbp member routera 10.1.1.1
sgbp member routerb 10.1.1.2
```

Configuring an L2TP Stack Group with an Offload Server: Example

The following configuration example creates a stack group with four members, including an offload server. The stack group is configured to use only the L2TP protocol.

Router A Configuration

```
username user1 password mypassword
sgbp group stack1
sgbp member routerb 10.1.1.2
sgbp member routerc 10.1.1.3
sgbp member routerd 10.1.1.4
sgbp protocol l2tp
```

Router B Configuration

```
username user1 password mypassword
sgbp group stack1
sgbp member routera 10.1.1.1
sgbp member routerc 10.1.1.3
sgbp member routerd 10.1.1.4
sgbp protocol l2tp
```

Router C Configuration

```
username user1 password mypassword
sgbp group stack1
sgbp member routera 10.1.1.1
sgbp member routerb 10.1.1.2
sgbp member routerd 10.1.1.4
sgbp protocol l2tp
```

Router D (Offload Server) Configuration

```
username user1 password mypassword
sgbp group stack1
sgbp member routera 10.1.1.1
```

```
sgbp member routerb 10.1.1.2
sgbp member routerc 10.1.1.3
sgbp protocol l2tp
sgbp seed-bid offload
```

Configuring MMP on a Nondialer Interface: Example

The following example configures MMP on a physical interface that is not configured as a dialer:

```
multilink virtual-template 1
ip local pool default 10.10.1.1 10.10.1.100
interface virtual-template 1
 ip unnumbered ethernet 0
 no ip route-cache
 encapsulation ppp
 ppp multilink
 ppp authentication chap
```

Configuring MMP on an Explicitly Defined Dialer Interface with a T1 Controller: Example

The following example configures MMP on a physical interface that is configured as a dialer:

```
interface dialer 1
 ip unnumbered ethernet 0
 dialer in-band
 dialer group 1
 dialer idle-timeout 400
 encapsulation ppp
 ppp multilink
 ppp authentication chap
!
controller t1 0
 framing esf
 linecode b8zs
 pri-group timeslots 1-24
!
interface serial 0:23
 no ip address
 encapsulation ppp
 ppp multilink
 ppp authentication chap
 dialer rotary-group 1
 dialer-group 1
```

Configuring MMP on an Explicitly Defined Dialer Interface with an E1 Controller: Example

The following example configures MMP on a physical interface that is configured as a dialer:

```
interface dialer 1
 ip unnumbered ethernet 0
 dialer in-band
 dialer group 1
 dialer idle-timeout 400
 encapsulation ppp
```

```
ppp multilink
ppp authentication chap
!
controller e1 0
 framing crc4
 linecode ami
 pri-group timeslots 1-31
!
interface serial 0:15
 no ip address
 encapsulation ppp
 ppp multilink
 ppp authentication chap
 dialer rotary-group 1
 dialer-group 1
```

Configuring MMP on a Native Dialer Interface: Example

The following example configures MMP on a native dialer interface (ISDN PRI or BRI):

```
interface serial 0:23
 ip unnumbered ethernet 0
 dialer-group 1
 dialer rotary-group 1
 encapsulation ppp
 ppp multilink
 ppp authentication chap
```

Where to Go Next

MMP stack groups that receive calls over L2TP VPDN tunnels can be configured to perform L2TP redirect. Enabling L2TP redirect allows a tunnel server in a stack group to send a redirect message to the NAS if it receives a link that belongs to another tunnel server in the stack group. L2TP redirect increases the scalability of VPDN MMP deployments, and can also be used to load balance calls across a stack group.

For more information about configuring L2TP redirect functionality, refer to the “[Configuring Multihop VPDN](#)” module in the *Cisco IOS VPDN Configuration Guide*, Release 12.4.

Additional References

The following sections provide references related to Multichassis Multilink PPP.

Related Documents

Related Topic	Document Title
Information about Multilink PPP	“ Configuring Media-Independent PPP and Multilink PPP ” chapter of the <i>Cisco IOS Dial Technologies Configuration Guide</i> , Release 12.4
Information about virtual templates	The “ Configuring Virtual Template Interfaces ” chapter of the <i>Cisco IOS Dial Technologies Configuration Guide</i> , Release 12.4
Information about L2F and L2TP	“ VPDN Technology Overview ” module in the <i>Cisco IOS VPDN Configuration Guide</i> , Release 12.4
Information on multihop VPDN and L2TP redirect	“ Configuring Multihop VPDN ” module in the <i>Cisco IOS VPDN Configuration Guide</i> , Release 12.4
VPDN commands: complete command syntax, command mode, defaults, usage guidelines, and examples	<i>Cisco IOS VPDN Command Reference</i> , Release 12.4
Dial Technologies commands: complete command syntax, command mode, defaults, usage guidelines, and examples	<i>Cisco IOS Dial Technologies Command Reference</i> , Release 12.4

Standards

Standards	Title
None	—

MIBs

MIBs	MIBs Link
None	To locate and download MIBs for selected platforms, Cisco IOS releases, and feature sets, use Cisco MIB Locator found at the following URL: http://www.cisco.com/go/mibs

RFCs

RFCs	Title
None	—

Technical Assistance

Description	Link
The Cisco Technical Support website contains thousands of pages of searchable technical content, including links to products, technologies, solutions, technical tips, and tools. Registered Cisco.com users can log in from this page to access even more content.	http://www.cisco.com/techsupport

Feature Information for Multichassis Multilink PPP

Table 1 lists the features in this module and provides links to specific configuration information. Only features that were introduced or modified in Cisco IOS Release 12.2(1) or a later release appear in the table.

Not all commands may be available in your Cisco IOS software release. For details on when support for a specific command was introduced, see the command reference documentation.

Cisco IOS software images are specific to a Cisco IOS software release, a feature set, and a platform. Use Cisco Feature Navigator to find information about platform support and Cisco IOS software image support. Access Cisco Feature Navigator at <http://www.cisco.com/go/fn>. You must have an account on Cisco.com. If you do not have an account or have forgotten your username or password, click **Cancel** at the login dialog box and follow the instructions that appear.



Note

Table 1 lists only the Cisco IOS software release that introduced support for a given feature in a given Cisco IOS software release train. Unless noted otherwise, subsequent releases of that Cisco IOS software release train also support that feature.

Table 1 Feature Information for Multichassis Multilink PPP

Feature Name	Releases	Feature Configuration Information
This table is intentionally left blank because no features were introduced or modified in Cisco IOS Release 12.2(1) or later. This table will be updated when feature information is added to this module.	—	—

Cisco and the Cisco Logo are trademarks of Cisco Systems, Inc. and/or its affiliates in the U.S. and other countries. A listing of Cisco's trademarks can be found at www.cisco.com/go/trademarks. Third party trademarks mentioned are the property of their respective owners. The use of the word partner does not imply a partnership relationship between Cisco and any other company. (1005R)

Any Internet Protocol (IP) addresses and phone numbers used in this document are not intended to be actual addresses and phone numbers. Any examples, command display output, network topology diagrams, and other figures included in the document are shown for illustrative purposes only. Any use of actual IP addresses or phone numbers in illustrative content is unintentional and coincidental.

© 2001–2009 Cisco Systems, Inc. All rights reserved.



Callback and Bandwidth Allocation Configuration



Configuring Asynchronous Callback

This chapter describes how to configure Cisco IOS software to call back an asynchronous device that dials in, requests a callback from the router, and then disconnects. It includes the following main sections:

- [Asynchronous Callback Overview](#)
- [How to Configure Asynchronous Callback](#)
- [Configuration Examples for Asynchronous Callback](#)

To identify the hardware platform or software image information associated with a feature, use the Feature Navigator on Cisco.com to search for information about the feature or refer to the software release notes for a specific release. For more information, see the “Identifying Supported Platforms” section in the “Using Cisco IOS Software” chapter.

For a complete description of the commands mentioned in this chapter, refer to the *Cisco IOS Dial Technologies Command Reference*. To locate documentation of other commands that appear in this chapter, use the command reference master index or search online.

Asynchronous Callback Overview

Asynchronous callback is supported for the PPP and AppleTalk Remote Access (ARA) protocols. Callback is also supported on other interface types for PPP, including ISDN and any device that calls in and connects to the router at the EXEC level.

All callback sessions are returned on TTY lines. ARA is supported on virtual terminal lines, but also is supported on TTY lines if the **vty-arap** command is used. PPP, however, is supported on interfaces. Therefore, to enable PPP callback, you must enter the **autoselect ppp** command on the callback lines.

All current security mechanisms supported in Cisco IOS software are supported by the callback facility, including the following:

- TACACS+
- Challenge Handshake Authentication Protocol (CHAP) and Password Authentication Protocol (PAP) for PPP
- Per-user authentication for EXEC callback and ARA callback



The call originator must have the appropriate permissions set on the router before it can initiate a callback session.

Callback is useful for two purposes:

- Cost savings on toll calls
For example, suppose it costs more to call from clients in Zone A to devices in Zone D than to call from Zone D to Zone A—costs are lower when devices in Zone D call back clients in Zone A.
- Consolidation and centralization of phone billing
For example, if a corporation has 64 dial-in clients, enabling its routers to call back these clients consolidates billing. Instead of 64 phone bills, the corporation receives one bill.

How to Configure Asynchronous Callback

To configure asynchronous callback, perform the tasks in the following sections:

- [Configuring Callback PPP Clients](#) (Required)
- [Enabling PPP Callback on Outgoing Lines](#) (Required)
- [Enabling Callback Clients That Dial In and Connect to the EXEC Prompt](#) (Required)
- [Configuring Callback ARA Clients](#) (Required)

See the section “[Configuration Examples for Asynchronous Callback](#)” at the end of this chapter for ideas on how to implement asynchronous callback.

Configuring Callback PPP Clients

You can call back PPP clients that dial in to asynchronous interfaces. You can enable callback to the following two types of PPP clients:

- Clients that implement PPP callback per RFC 1570 (as an link control protocol, or LCP, negotiated extension).
- Clients that do not negotiate callback but can put themselves in answer-mode, whereby a callback from the router is accepted.

This section describes how to enable callback to each of these types of PPP clients.

Accepting Callback Requests from RFC-Compliant PPP Clients

To accept a callback request from an RFC 1570 PPP-compliant client, use the following command in interface (asynchronous) configuration mode:

Command	Purpose
Router(config-if)# ppp callback accept	Enables callback requests from RFC 1570 PPP-compliant clients on an asynchronous interface.

To configure Cisco IOS software to call back the originating PPP client, see the section “[Enabling PPP Callback on Outgoing Lines](#)” later in this chapter.

Accepting Callback Requests from Non-RFC-Compliant PPP Clients Placing Themselves in Answer Mode

A PPP client can put itself in answer-mode and can still be called back by the router, even though it cannot specifically request callback. To enable callback on the router to this type of client, use the following command in interface (asynchronous) configuration mode:

Command	Purpose
Router(config-if)# ppp callback initiate	Initiates callback requests from non-RFC 1570 PPP-compliant clients on an asynchronous interface.

To configure Cisco IOS software to call back the originating PPP client, see the next section, “[Enabling PPP Callback on Outgoing Lines](#).”

Enabling PPP Callback on Outgoing Lines

After enabling PPP clients to connect to an asynchronous interface and wait for a callback, you must place one or more TTY lines in PPP mode. Although calls from PPP clients enter through an asynchronous interface, the calls exit the client on a line placed in PPP mode.

To enable PPP client callback on outgoing TTY lines, use the following commands beginning in global configuration mode:

	Command	Purpose
Step 1	Router(config)# chat-script <i>script-name</i> <i>expect-send</i>	Defines a chat script to be applied when a PPP client requests callback.
Step 2	Router(config)# username <i>name</i> [callback-dialstring <i>telephone-number</i>]	Specifies a per-username callback dial string.
Step 3	Router(config)# username <i>name</i> [callback-rotary <i>rotary-group-number</i>]	Specifies a per-username rotary group for callback.
Step 4	Router(config)# username <i>name</i> [callback-line [tty] <i>line-number</i> [<i>ending-line-number</i>]]	Specifies a per-username line or set of lines for callback.
Step 5	Router(config)# line [tty] <i>line-number</i> [<i>ending-line-number</i>]	Enters line configuration mode.
Step 6	Router(config-line)# autoselect ppp	Configures automatic PPP startup on a line or set of lines.
Step 7	Router(config-line)# login { authentication local }	Enables authentication on the line.
Step 8	Router(config-line)# script callback <i>regex</i>	Applies a chat script to a line or set of lines.
Step 9	Router(config-line)# callback forced-wait <i>number-of-seconds</i>	Delays the callback for client modems that require a rest period before receiving a callback.

A client can issue a callback dial string; that dial string is used *only* if the dial string on the router is specified as NULL or is not defined. The recommended PPP chat script follows:

```
chat-script name ABORT ERROR ABORT BUSY "" "ATZ" OK "ATDT \T" TIMEOUT 30 CONNECT \c
```

See the section “[Callback to a PPP Client Example](#)” at the end of this chapter for a configuration example.

**Note**

Normally a router avoids line and modem noise by clearing the initial data received within the first one or two seconds. However, when the autoselect PPP feature is configured, the router flushes characters initially received and then waits for more traffic. This flush causes time out problems with applications that send only one carriage return. To ensure that the input data sent by a modem or other asynchronous device is not lost after line activation, enter the **no flush-at-activation** line configuration command.

Enabling Callback Clients That Dial In and Connect to the EXEC Prompt

You can call back clients that dial in to a TTY line and connect to the EXEC prompt. To enable callback, use the following commands beginning in global configuration mode:

	Command	Purpose
Step 1	Router(config)# service exec-callback	Enables EXEC callback.
Step 2	Router(config)# chat-script <i>script-name</i> <i>expect-send</i>	Defines a chat script to be applied when clients dial in to the EXEC prompt.
Step 3	Router(config)# username <i>name</i> [callback-dialstring <i>telephone-number</i>]	Specifies a per-username callback dial string.
Step 4	Router(config)# username <i>name</i> [callback-rotary <i>rotary-group-number</i>]	Specifies a per-username rotary group for callback.
Step 5	Router(config)# username <i>name</i> [callback-line [aux tty] <i>line-number</i> [<i>ending-line-number</i>]]	Specifies a per-username line or set of lines for callback.
Step 6	Router(config)# username <i>name</i> [nocallback-verify]	Does not require authentication on EXEC callback.
Step 7	Router(config)# line [tty] <i>line-number</i> [<i>ending-line-number</i>]	Enters line configuration mode.
Step 8	Router(config-line)# script callback <i>regex</i>	Applies a chat script to the line or a set of lines.
Step 9	Router(config-line)# callback forced-wait <i>number-of-seconds</i>	Delays the callback for client modems that require a rest period before receiving a callback.

The recommended EXEC chat script follows:

```
chat-script name ABORT ERROR ABORT BUSY "" "ATZ" OK "ATDT \T" TIMEOUT 30 CONNECT \c
```

See the section “[Callback Clients That Connect to the EXEC Prompt Example](#)” at the end of this chapter for a configuration example.

Configuring Callback ARA Clients

To configure callback of ARA clients, use the following commands beginning in global configuration mode. These steps assume that you have already enabled AppleTalk routing and ARA.

	Command	Purpose
Step 1	Router(config)# arap callback	Enables callback to an ARA client.
Step 2	Router(config)# chat-script <i>script-name</i> <i>expect-send</i>	Defines a chat script to be applied when an ARA client connects to a TTY line and requests callback.
Step 3	Router(config)# line [tty] <i>line-number</i> <i>[ending-line-number]</i>	Enters line configuration mode.
Step 4	Router(config-line)# arap enable	Enables ARA on the line.
Step 5	Router(config-line)# autoselect arap	Configures automatic protocol startup on the line.
Step 6	Router(config-line)# login { authentication local }	Enables authentication on the line.
Step 7	Router(config-line)# script arap-callback <i>regexp</i>	Applies an ARA-specific chat script to a line or set of lines.
Step 8	Router(config-line)# callback forced-wait <i>number-of-seconds</i>	Delays the callback for client modems that require a rest period before receiving a callback.
Step 9	Router(config-line)# exit	Returns to global configuration mode.
Step 10	Router(config)# username <i>name</i> [callback-dialstring] <i>telephone-number</i>	Specifies a per-username callback dial string.
Step 11	Router(config)# username <i>name</i> [callback-rotary] <i>rotary-group-number</i>	Specifies a per-username rotary group for callback.
Step 12	Router(config)# username <i>name</i> [callback-line [tty] <i>line-number</i> <i>[ending-line-number]</i>	Specifies a per-username line or set of lines for callback.

The recommended ARA chat script follows and includes vendor-specific extensions on the Telebit 3000 modem to disable error control. Refer to the manual for your modem for the specific commands to disable error correction for ARA.

```
chat-script name ABORT ERROR ABORT BUSY "" "ATZ" OK "ATS180=0" OK "ATS181=1" OK "ATDT \T"
TIMEOUT 60 CONNECT \c
```

See the section “[Callback to an ARA Client Example](#)” at the end of this chapter for an example of calling back a PPP client.

Configuration Examples for Asynchronous Callback

The following sections provide asynchronous callback configuration examples:

- [Callback to a PPP Client Example](#)
- [Callback Clients That Connect to the EXEC Prompt Example](#)
- [Callback to an ARA Client Example](#)

Callback to a PPP Client Example

The following example shows the process of configuring callback to a PPP client on rotary 77. PAP authentication is enabled for PPP on the asynchronous interfaces. The **login local** command enables local username authentication on lines 7, 8, and 9. The remote PPP client host name is Ted, and the callback number is fixed at 1234567.

```
username Ted callback-dialstring "1234567" callback-rotary 77
      password Rhoda
interface async 7
  ip unnumbered ethernet 0
  encapsulation ppp
  no keepalive
  async default ip address 10.1.1.1
  async mode interactive
  ppp callback accept
  ppp authentication pap

interface async 8
  ip unnumbered ethernet 0
  encapsulation ppp
  no keepalive
  async default ip address 10.1.1.2
  async mode interactive
  ppp callback accept
  ppp authentication pap

interface async 9
  ip unnumbered ethernet 0
  encapsulation ppp
  no keepalive
  async default ip address 10.1.1.3
  async mode interactive
  ppp callback accept
  ppp authentication pap

line 7
  login local
  modem InOut
  rotary 77
  autoselect ppp

line 8
  login local
  modem InOut
  rotary 77
  autoselect ppp

line 9
  login local
  modem InOut
  rotary 77
  autoselect ppp
```

Callback Clients That Connect to the EXEC Prompt Example

The following example shows the process to configure an outgoing callback on the same line as the incoming request. The **login local** command enables local username authentication on lines 4 and 7. Reauthentication is required upon reconnection.

```
service exec-callback
username milarepa callback-dialstring "" password letmein
line 4
 login local
line 7
 login local
```

Callback to an ARA Client Example

The following example shows the process of configuring callback to an ARA client on line 7. The **login local** command enables local username authentication on lines 4 and 7. Line 7 will always be used for ARA callback, whether the incoming call enters line 4, 7, or 8.

```
appletalk routing
arap callback
arap network 422 router test
username excalibur callback-dialstring "123456" callback-line 7 password guenivere
line 4
 login local
 modem InOut
 autoselect arap
 arap enable
line 7
 login local
 modem InOut
 autoselect arap
 arap enable
line 8
 login local
 modem InOut
 autoselect arap
 arap enable
```

Cisco and the Cisco Logo are trademarks of Cisco Systems, Inc. and/or its affiliates in the U.S. and other countries. A listing of Cisco's trademarks can be found at www.cisco.com/go/trademarks. Third party trademarks mentioned are the property of their respective owners. The use of the word partner does not imply a partnership relationship between Cisco and any other company. (1005R)

Any Internet Protocol (IP) addresses and phone numbers used in this document are not intended to be actual addresses and phone numbers. Any examples, command display output, network topology diagrams, and other figures included in the document are shown for illustrative purposes only. Any use of actual IP addresses or phone numbers in illustrative content is unintentional and coincidental.

© 2001–2009 Cisco Systems, Inc. All rights reserved.



Configuring PPP Callback

This chapter describes how to configure PPP callback for dial-on-demand routing (DDR). It includes the following main sections:

- [PPP Callback for DDR Overview](#)
- [How to Configure PPP Callback for DDR](#)
- [MS Callback Overview](#)
- [How to Configure MS Callback](#)
- [Configuration Examples for PPP Callback](#)

This feature implements the following callback specifications of RFC 1570:

- For the client—Option 0, location is determined by user authentication.
- For the server—Option 0, location is determined by user authentication; Option 1, dialing string; and Option 3, E.164 number.

Return calls are made through the same dialer rotary group but not necessarily the same line as the initial call.

To identify the hardware platform or software image information associated with a feature, use the Feature Navigator on Cisco.com to search for information about the feature or refer to the software release notes for a specific release. For more information, see the “Identifying Supported Platforms” section in the “Using Cisco IOS Software” chapter.

For a complete description of the PPP callback commands mentioned in this chapter, refer to the *Cisco IOS Dial Technologies Command Reference*. To locate documentation of other commands that appear in this chapter, use the command reference master index or search online.

PPP Callback for DDR Overview

PPP callback provides a client/server relationship between the endpoints of a point-to-point connection. PPP callback allows a router to request that a dialup peer router call back. The callback feature can be used to control access and toll costs between the routers.



When PPP callback is configured on the participating routers, the calling router (the callback client) passes authentication information to the remote router (the callback server), which uses the host name and dial string authentication information to determine whether to place a return call. If the authentication is successful, the callback server disconnects and then places a return call. The remote username of the return call is used to associate it with the initial call so that packets can be sent.

Both routers on a point-to-point link must be configured for PPP callback; one must function as a callback client and one must be configured as a callback server. The callback client must be configured to initiate PPP callback requests, and the callback server must be configured to accept PPP callback requests and place return calls.

See the section “[MS Callback Overview](#)” later in this chapter if you are using PPP callback between a Cisco router or access server and client devices configured for Windows 95 and Windows NT.

**Note**

If the return call fails (because the line is not answered or the line is busy), no retry occurs. If the callback server has no interface available when attempting the return call, it does not retry.

How to Configure PPP Callback for DDR

To configure PPP callback for DDR, perform the following tasks:

- [Configuring a Router As a Callback Client](#) (Required)
- [Configuring a Router As a Callback Server](#) (Required)

For an example of configuring PPP callback, see the section “[Configuration Examples for PPP Callback](#)” at the end of this chapter.

Configuring a Router As a Callback Client

To configure a router interface as a callback client, use the following commands beginning in global configuration mode:

	Command	Purpose
Step 1	Router(config)# interface <i>type number</i>	Specifies the interface and enters interface configuration mode.
Step 2	Router(config-if)# dialer in-band [no-parity odd-parity]	Enables DDR. Specifies parity, if needed, on synchronous or asynchronous serial interfaces.
Step 3	Router(config-if)# encapsulation ppp	Enables PPP encapsulation.
Step 4	Router(config-if)# ppp authentication { chap pap }	Enables CHAP or PAP authentication.
Step 5	Router(config-if)# dialer map <i>protocol next-hop-address name hostname dial-string</i>	Maps the next hop address to the host name and phone number.
Step 6	Router(config-if)# ppp callback request	Enables the interface to request PPP callback for this callback map class.
Step 7	Router(config-if)# dialer hold-queue <i>packets timeout seconds</i>	(Optional) Configures a dialer hold queue to store packets for this callback map class.

Configuring a Router As a Callback Server

To configure a router as a callback server, use the following commands beginning in global configuration mode:

	Command	Purpose
Step 1	Router(config)# interface <i>type number</i>	Specifies the interface and enters interface configuration mode.
Step 2	Router(config-if)# dialer in-band [no-parity odd-parity]	Enables DDR. Specifies parity, if needed, on synchronous or asynchronous serial interfaces.
Step 3	Router(config-if)# encapsulation ppp	Enables PPP encapsulation.
Step 4	Router(config-if)# ppp authentication { chap pap }	Enables CHAP or PAP authentication.
Step 5	Router(config-if)# dialer map <i>protocol next-hop-address name hostname class classname dial-string</i>	Maps the next hop address to the host name and phone number, using the name of the map class established for PPP callback on this interface.
Step 6	Router(config-if)# dialer hold-queue <i>number timeout seconds</i>	(Optional) Configures a dialer hold queue to store packets to be transferred when the callback connection is established.
Step 7	Router(config-if)# dialer enable-timeout <i>seconds</i>	(Optional) Configures a timeout period between calls.
Step 8	Router(config-if)# ppp callback accept	Configures the interface to accept PPP callback.
Step 9	Router(config-if)# isdn fast-rollover-delay <i>seconds</i>	(ISDN only) Configures the time to wait before another call is placed on a B channel to allow the prior call to be torn down completely.
Step 10	Router(config-if)# dialer callback-secure	(Optional) Enables callback security, if desired.
Step 11	Router(config-if)# exit	Returns to global configuration mode.
Step 12	Router(config-map-class)# map-class dialer <i>classname</i>	Configures a dialer map class for PPP callback.
Step 13	Router(config-map-class)# dialer callback-server [username]	Configures a dialer map class as a callback server.



Note

On the PPP callback server, the **dialer enable-timeout** command functions as the timer for returning calls to the callback client.

MS Callback Overview

MS Callback provides client/server callback services for Microsoft Windows 95 and Microsoft Windows NT clients. MS Callback supports the Microsoft Callback Control Protocol (MSCB). MSCB is a Microsoft proprietary protocol that is used by Windows 95 and Windows NT clients. MS Callback supports negotiated PPP Link Control Protocol (LCP) extensions initiated and agreed upon by the Microsoft client. The MS Callback feature is added to existing PPP Callback functionality. Therefore, if you configure your Cisco access server to perform PPP Callback using Cisco IOS Release 11.3(2)T or later, MS Callback is automatically available.

MS Callback supports authentication, authorization, and accounting (AAA) security models using a local database or AAA server.

MSCB uses LCP callback options with suboption type 6. The Cisco MS Callback feature supports clients with a user-specified callback number and server specified (preconfigured) callback number.

MS Callback does not affect non-Microsoft machines that implement standard PPP LCP extensions as described in RFC 1570. In this scenario, MS Callback is transparent.

The following are restrictions of the MS Callback feature:

- The Cisco access server and client must be configured for PPP and PPP callback.
- The router or access server must be configured to use CHAP or PAP authorization.
- MS Callback is only supported on the Public Switched Telephone Network (PSTN) and ISDN links.
- MS Callback is only supported for IP.

How to Configure MS Callback

If you configure the Cisco access server for PPP callback, MS Callback is enabled by default. You need not configure additional parameters on the Cisco access server. To debug PPP connections using MS Callback, see the **debug ppp cbcp** command in the *Cisco IOS Debug Command Reference* publication.

Configuration Examples for PPP Callback

The following example configures a PPP callback server and client to call each other. The PPP callback server is configured on an ISDN BRI interface in a router in Atlanta. The callback server requires an enable timeout and a map class to be defined. The PPP callback client is configured on an ISDN BRI interface in a router in Dallas. The callback client does not require an enable timeout and a map class to be defined.

PPP Callback Server

```
interface bri 0
 ip address 10.1.1.7 255.255.255.0
 encapsulation ppp
 dialer callback-secure
 dialer enable-timeout 2
 dialer map ip 10.1.1.8 name atlanta class dial1 81012345678901
 dialer-group 1
 ppp callback accept
 ppp authentication chap
!
map-class dialer dial1
 dialer callback-server username
```

PPP Callback Client

```
interface bri 0
 ip address 10.1.1.8 255.255.255.0
 encapsulation ppp
 dialer map ip 10.1.1.7 name dallas 81012345678902
 dialer-group 1
 ppp callback request
 ppp authentication chap
```

Cisco and the Cisco Logo are trademarks of Cisco Systems, Inc. and/or its affiliates in the U.S. and other countries. A listing of Cisco's trademarks can be found at www.cisco.com/go/trademarks. Third party trademarks mentioned are the property of their respective owners. The use of the word partner does not imply a partnership relationship between Cisco and any other company. (1005R)

Any Internet Protocol (IP) addresses and phone numbers used in this document are not intended to be actual addresses and phone numbers. Any examples, command display output, network topology diagrams, and other figures included in the document are shown for illustrative purposes only. Any use of actual IP addresses or phone numbers in illustrative content is unintentional and coincidental.

© 2007-2008 Cisco Systems, Inc. All rights reserved.



Configuring ISDN Caller ID Callback

This chapter describes how to configure the ISDN Caller ID Callback feature. It includes the following main sections:

- [ISDN Caller ID Callback Overview](#)
- [How to Configure ISDN Caller ID Callback](#)
- [Monitoring and Troubleshooting ISDN Caller ID Callback](#)
- [Configuration Examples for ISDN Caller ID Callback](#)

The ISDN Caller ID Callback feature conflicts with dialer callback security inherent in the dialer profiles feature for dial-on-demand routing (DDR). If dialer callback security is configured, it takes precedence; ISDN caller ID callback is ignored.

Caller ID screening requires a local switch that is capable of delivering the caller ID to the router or access server. If you enable caller ID screening but do not have such a switch, no calls will be allowed in.

ISDN caller ID callback requires DDR to be configured and bidirectional dialing to be working between the calling and callback routers. Detailed DDR prerequisites depend on whether you have configured legacy DDR or dialer profiles.

For a legacy DDR configuration, ISDN caller ID callback has the following prerequisite:

- A **dialer map** command is configured for the dial string that is used in the incoming call setup message. The dial string is used in the callback.

For a dialer profiles configuration, ISDN caller ID callback has the following prerequisites:

- A **dialer caller** command is configured to screen for the dial-in number.
- A **dialer string** command is configured with the number to use in the callback.

To identify the hardware platform or software image information associated with a feature, use the Feature Navigator on Cisco.com to search for information about the feature or refer to the software release notes for a specific release. For more information, see the “Identifying Supported Platforms” section in the “Using Cisco IOS Software” chapter.

For a complete description of the ISDN caller ID callback commands mentioned in this chapter, refer to the *Cisco IOS Dial Technologies Command Reference*, Release 12.2. To locate documentation of other commands that appear in this chapter, use the command reference master index or search online.



ISDN Caller ID Callback Overview

ISDN caller ID callback allows the initial incoming call from the client to the server to be rejected on the basis of the caller ID message contained in the ISDN setup message, and it allows a callback to be initiated to the calling destination.

Before Cisco IOS Release 11.2 F, ISDN callback functionality required PPP or Combinet Packet Protocol (CPP) client authentication and client/server callback negotiation to proceed. If authentication and callback negotiation were successful, the callback server had to disconnect the call and then place a return call. Both the initial call and the return call were subject to tolls, and when service providers charge by the minute, even brief calls could be expensive.

This feature is independent of the encapsulation in effect and can be used with various encapsulations, such as PPP, High-Level Data Link Control (HDLC), Frame Relay, and X.25.

The ISDN Caller ID Callback feature allows users to control costs because charges do not apply to the initial, rejected call.

ISDN caller ID callback allows great flexibility for you to define which calls to accept, which to deny, and which calls to reject initially but for which the router should initiate callback. The feature works by using existing ISDN caller ID screening, which matches the number in the incoming call against numbers configured on the router, determining the best match for the number in the incoming call, and then, if configured, initiating callback to the number configured on the router.

When a call is received, the entire list of configured numbers is checked and the configuration of the best match number determines the action:

- If the incoming number is best matched by a number that is configured for callback, the incoming call is rejected and callback is initiated.
- If the incoming number is best matched by another entry in the list of configured numbers, the call is accepted.
- If the incoming number does not match any entry in the configured list, the call is rejected and no callback is started.

“Don’t care” characters are allowed in the caller ID screening configuration on the router and are used to determine the best match.

For more information and examples, see the [“Best Match System Examples”](#) section later in this document.

Callback After the Best Match Is Determined

The details of router activities after the router finds a best match with callback depend on the DDR feature that is configured. The ISDN Caller ID Callback feature works with the following DDR features:

- [Legacy DDR](#)
- [Dialer Profiles](#)

Legacy DDR

If legacy DDR is configured for the host or user that is identified in the incoming call message, the router performs the following actions:

1. Checks the table of configured numbers for caller ID callback.
2. Searches the **dialer map** entries for a number that “best matches” the incoming call string.

3. Waits for a configured length of time to expire.
4. Initiates callback to the number provided in the **dialer map** command.

Dialer Profiles

If the dialer profiles are configured for the host or user identified in the incoming call message, the router performs the following actions:

1. Searches through all the dialer pool members to match the incoming call number to a **dialer caller** number.
2. Initiates a callback to the dialer profile.
3. Waits for a configured length of time to expire.
4. Calls the number identified in the **dialer string** command associated with the dialer profile.

Timing and Coordinating Callback on Both Sides

When an incoming call arrives and the router finds a best match configured for callback, the router uses the value configured by the **dialer enable-timeout** command to determine the length of time to wait before making the callback.

The minimum value of the timer is 1 second; the default value of the timer is 15 seconds. The interval set for this feature on the router must be much less than that set for DDR fast call rerouting for ISDN (that interval is set by the **dialer wait-for-carrier-time** command) on the calling (remote) side. We recommend setting the dialer wait-for-carrier timer on the calling side to twice the length of the dialer enable-timeout timer on the callback side.



Note

The remote site cannot be configured for multiple dial-in numbers because a busy callback number or a rejected call causes the second number to be tried. That number might be located at a different site, defeating the purpose of the callback.

How to Configure ISDN Caller ID Callback

To configure ISDN caller ID callback, perform the tasks in the following sections. The required configuration tasks depend whether you have configured legacy DDR or dialer profiles.

- [Configuring ISDN Caller ID Callback for Legacy DDR](#) (As required)
- [Configuring ISDN Caller ID Callback for Dialer Profiles](#) (As required)

For configuration examples, see the section “[Configuration Examples for ISDN Caller ID Callback](#)” at the end of this chapter.

Configuring ISDN Caller ID Callback for Legacy DDR

This section provides configuration tasks for the local (server, callback) side and the remote (client, calling) side.

On the callback (local) side, to configure ISDN caller ID callback when legacy DDR is configured, use the following commands in interface configuration mode:

	Command	Purpose
Step 1	Router(config-if)# isdn caller remote-number callback	Configures caller ID screening and callback when a dialer rotary is not configured.
	or Router(config-if)# dialer caller number callback	
Step 2	Router(config-if)# dialer enable-timeout seconds	Configures the time to wait before initiating callback.

On the calling (remote) side, to set the timer for fast call rerouting, use the following command in interface configuration mode:

Command	Purpose
Router(config-if)# dialer wait-for-carrier-time seconds	Changes the ISDN fast call rerouting timer to double the length of the enable timeout timer.

Configuring ISDN Caller ID Callback for Dialer Profiles

This section provides configuration tasks for the local side and the remote side.

On the callback (local) side, to configure ISDN caller ID callback when the dialer profiles are configured, use the following commands in interface configuration mode:

	Command	Purpose
Step 1	Router(config-if)# dialer caller number callback	Configures caller ID screening and callback.
Step 2	Router(config-if)# dialer enable-timeout seconds	Configures the time to wait before initiating callback.

On the calling (remote) side, to set the timer for fast call rerouting, use the following command in interface configuration mode:

Command	Purpose
Router(config-if)# dialer wait-for-carrier-time seconds	Changes the ISDN fast call rerouting timer to double the length of the enable timeout timer.

Monitoring and Troubleshooting ISDN Caller ID Callback

To monitor and troubleshoot ISDN caller ID callback, use the following commands in EXEC mode as needed:

Command	Purpose
Router# <code>show dialer</code>	Displays information about the status and configuration of the ISDN interface on the router.
Router# <code>debug isdn event</code>	Displays ISDN events occurring on the user side (on the router) of the ISDN interface. The ISDN events that can be displayed are Q.931 events (call setup and tear down of ISDN network connections).
Router# <code>debug isdn q931</code>	Displays Layer 3 signaling messages, protocol transitions and processes, the line protocol state, and the channel IDs for each ISDN interface.

Configuration Examples for ISDN Caller ID Callback

The following sections provide ISDN caller ID callback configuration examples:

- [Best Match System Examples](#)
- [Simple Callback Configuration Examples](#)
- [ISDN Caller ID Callback with Dialer Profiles Examples](#)
- [ISDN Caller ID Callback with Legacy DDR Example](#)

Best Match System Examples

The best match is determined by matching the incoming number against the numbers in the configured callback commands, starting with the right-most character in the numbers and using the letter X for any “don’t care” characters in the configured commands. If multiple configured numbers match an incoming number, the best match is the one with the fewest “don’t care” characters.

The reason for using a system based on right-most matching is that a given number can be represented in many different ways. For example, all the following items might be used to represent the same number, depending on the circumstances (international call, long-distance domestic call, call through a PBX, and so forth):

```
011 1 408 555 7654
  1 408 555 7654
    408 555 7654
      555 7654
        5 7654
```

Best Match Based on the Number of “Don’t Care” Characters Example

The following example assumes that you have an incoming call from one of the numbers from the previous example entered (4085557654), and that you configured the following numbers for callback on the router (disregarding for the moment the commands that can be used to configure callback):

```
555xxxx callback
5552xxx callback
555865x
5554654 callback
xxxxx
```

The first number listed is the best match for the incoming number (in the configured number, the three numbers and four Xs all match the incoming number); the line indicates that callback is to be initiated. The last line has five Xs; it is not the best match for the calling number.

**Note**

The last number in the list shown allows calls from any other number to be accepted without callback. When you use such a line, you must make sure that the number of Xs in the line exceeds the number of Xs in any other line. In the last line, five Xs are used; the other lines use at most four Xs.

The order of configured numbers is not important; the router searches the entire list and then determines the best match.

Best Match with No Callback Configured Example

The following example assumes that a call comes from the same number (4085557654) and that only the following numbers are configured:

```
5552xxx callback
555865x
5554654 callback
xxxxxx
```

In this case, the best match is in the final line listed, so the incoming call is accepted but callback is not initiated.

No Match Configured Example

The following example assumes that a call comes from the same number (4085557654) and that only the following numbers are configured:

```
5552xxx callback
555865x
5554654 callback
```

In this case, there is no match at all, and the call is just rejected.

Simple Callback Configuration Examples

The following example assumes that callback calls will be made only to numbers in the 555 and 556 exchanges but that any other number can call in:

```
isdn caller 408555xxxx callback
isdn caller 408556xxxx callback
isdn caller xxxxxx
```

The following example configures the router to accept a call with a delivered caller ID equal to 4155551234:

```
isdn caller 4155551234
```

The following example configures the router to accept a call with a delivered caller ID equal to 41555512 with any digits in the last two positions:

```
isdn caller 41555512xx
```


The following example configures the router to make a callback to a delivered caller ID equal to 41555512 with any digits in the last two positions. (The router rejects the call initially, and then makes the callback.) The router accepts calls from any other numbers.

```
isdn caller 41555512xx callback
isdn caller xxx
```

ISDN Caller ID Callback with Dialer Profiles Examples

The following example shows the configuration of a central site that can place or receive calls from three remote sites over four ISDN BRI lines. Each remote site is on a different IP subnet and has different bandwidth requirements. Therefore, three dialer interfaces and three dialer pools are defined.

```
! This is a dialer profile for reaching remote subnetwork 10.1.1.1.
interface dialer 1
 ip address 10.1.1.1 255.255.255.0
 encapsulation ppp
 dialer remote-name Smalluser
 dialer string 4540
 dialer pool 3
 dialer-group 1
 dialer caller 14802616900 callback
 dialer caller 1480262xxxx callback
!
! This is a dialer profile for reaching remote subnetwork 10.2.2.2.
interface dialer 2
 ip address 10.2.2.2 255.255.255.0
 encapsulation ppp
 dialer remote-name Mediumuser
 dialer string 5264540 class Eng
 dialer load-threshold 50 either
 dialer pool 1
 dialer-group 2
 dialer caller 14805364540 callback
 dialer caller 1480267xxxx callback
 dialer enable-timeout 2
!
! This is a dialer profile for reaching remote subnetwork 10.3.3.3.
interface dialer 3
 ip address 10.3.3.3 255.255.255.0
 encapsulation ppp
 dialer remote-name Poweruser
 dialer string 4156884540 class Eng
 dialer hold-queue 10
 dialer load-threshold 80
 dialer pool 2
 dialer-group 2
!
! This map class ensures that these calls use an ISDN speed of 56 kbps.
map-class dialer Eng
 isdn speed 56
!
interface bri 0
 encapsulation PPP
! BRI 0 has a higher priority than BRI 1 in dialer pool 1.
 dialer pool-member 1 priority 100
 ppp authentication chap
!
interface bri 1
 encapsulation ppp
 dialer pool-member 1 priority 50
```

```

dialer pool-member 2 priority 50
! BRI 1 has a reserved channel in dialer pool 3; the channel remains inactive
! until BRI 1 uses it to place calls.
dialer pool-member 3 min-link 1
ppp authentication chap
!
interface bri 2
 encapsulation ppp
! BRI 2 has a higher priority than BRI 1 in dialer pool 2.
dialer pool-member 2 priority 100
ppp authentication chap
!
interface bri 3
 encapsulation ppp
! BRI 3 has the highest priority in dialer pool 2.
dialer pool-member 2 priority 150
ppp authentication chap

```

ISDN Caller ID Callback with Legacy DDR Example

This section provides two examples of caller ID callback with legacy DDR:

- [Individual Interface Example](#)
- [Dialer Rotary Group Example](#)

Individual Interface Example

The following example configures a BRI interface for legacy DDR and ISDN caller ID callback:

```

interface bri 0
 description Connected to NTT 81012345678901
 ip address 10.1.1.7 255.255.255.0
 no ip mroute-cache
 encapsulation ppp
 isdn caller 81012345678902 callback
 dialer enable-timeout 2
 dialer map ip 10.1.1.8 name spanky 81012345678902
 dialer-group 1
 ppp authentication chap

```

Dialer Rotary Group Example

The following example configures BRI interfaces to connect into a rotary group (dialer group) and then configures a dialer interface for that dialer group. This configuration permits IP packets to trigger calls. The dialer interface is configured to initiate callback to any number in the 1-480-261 exchange and to accept calls from two other specific numbers.

```

interface bri 0
 description connected into a rotary group
 encapsulation ppp
 dialer rotary-group 1
!
interface bri 1
 no ip address
 encapsulation ppp
 dialer rotary-group 1
!
interface bri 2

```

```
    encapsulation ppp
    dialer rotary-group 1
!
interface bri 3
  no ip address
  encapsulation ppp
  dialer rotary-group 1
!
interface bri 4
  encapsulation ppp
  dialer rotary-group 1
!
interface dialer 0
  description Dialer group controlling the BRIs
  ip address 10.1.1.1 255.255.255.0
  encapsulation ppp
  dialer map ip 10.1.1.2 name angus 14802616900
  dialer map ip 10.1.1.3 name shamus 14802616901
  dialer map ip 10.1.1.4 name larry 14807362060
  dialer map ip 10.1.1.5 name wally 19165561424
  dialer map ip 10.1.1.6 name shemp 12129767448
  dialer-group 1
  ppp authentication chap

!
dialer caller 1480261xxxx callback
dialer caller 19165561424
```

Cisco and the Cisco Logo are trademarks of Cisco Systems, Inc. and/or its affiliates in the U.S. and other countries. A listing of Cisco's trademarks can be found at www.cisco.com/go/trademarks. Third party trademarks mentioned are the property of their respective owners. The use of the word partner does not imply a partnership relationship between Cisco and any other company. (1005R)

Any Internet Protocol (IP) addresses and phone numbers used in this document are not intended to be actual addresses and phone numbers. Any examples, command display output, network topology diagrams, and other figures included in the document are shown for illustrative purposes only. Any use of actual IP addresses or phone numbers in illustrative content is unintentional and coincidental.

© 2007–2009 Cisco Systems, Inc. All rights reserved.



Configuring BACP

This chapter describes how to configure the Bandwidth Allocation Control Protocol (BACP), described in RFC 2125. It includes the following main sections:

- [BACP Overview](#)
- [How to Configure BACP](#)
- [Monitoring and Maintaining Interfaces Configured for BACP](#)
- [Troubleshooting BACP](#)
- [Configuration Examples for BACP](#)

BACP requires a system only to have the knowledge of its own phone numbers and link types. A system must be able to provide the phone numbers and link type to its peer to satisfy the call control mechanism. (Certain situations might not be able to satisfy this requirement; numbers might not be present because of security considerations.)

BACP is designed to operate in both the virtual interface environment and the dialer interface environment. It can operate over any physical interface that is Multilink PPP-capable and has a dial capability; at initial release, BACP supports ISDN and asynchronous serial interfaces.

The addition of any link to an existing multilink bundle is controlled by a Bandwidth Allocation Protocol (BAP) call or callback request message, and the removal of a link can be controlled by a link drop message.

To identify the hardware platform or software image information associated with a feature, use the Feature Navigator on Cisco.com to search for information about the feature or refer to the software release notes for a specific release. For more information, see the “Identifying Supported Platforms” section in the “Using Cisco IOS Software” chapter.

For a complete description of the PPP BACP commands in this chapter, refer to the *Cisco IOS Dial Technologies Command Reference*, Release 12.2. To locate documentation of other commands that appear in this chapter, use the command reference master index or search online.



BACP Overview

The BACP provides Multilink PPP (MLP) peers with the ability to govern link utilization. Once peers have successfully negotiated BACP, they can use the BAP, which is a subset of BACP, to negotiate bandwidth allocation. BAP provides a set of rules governing dynamic bandwidth allocation through call control; a defined method for adding and removing links from a multilink bundle for Multilink PPP is used.

BACP provides the following benefits:

- Allows multilink implementations to interoperate by providing call control through the use of link types, speeds, and telephone numbers.
- Controls thrashing caused by links being brought up and removed in a short period of time.
- Ensures that both ends of the link are informed when links are added or removed from a multilink bundle.

For simplicity, the remaining text of this chapter makes no distinction between BACP and BAP; only BACP is mentioned.

BACP Configuration Options

PPP BACP can be configured to operate in the following ways:

- **Passive mode (default)**—The system accepts incoming calls; the calls might request callback, addition of a link, or removal of a link from a multilink bundle. The system also monitors the multilink load by default.

Passive mode is for virtual template interfaces or for dialer interfaces.

- **Active mode**—The system initiates outbound calls, sets the parameters for outbound calls, and determines whether links should be added to or removed from a multilink bundle. The system also monitors the multilink load by default.

Active mode is for dialer interfaces, but not for virtual template interfaces. (If you attempt to configure active mode on a virtual template interface, no calls will be made.)

A virtual or dialer interface must be configured either to make call requests or to make callback requests, but it cannot be configured to do both.

Support of BACP on virtual interfaces in an Multichassis Multilink PPP (MMP) environment is restricted to incoming calls on the multilink group. Support of BACP for outgoing calls is provided by dialer interface configuration only.

BACP supports only ISDN and asynchronous serial interfaces.

Dialer support is provided only for legacy dial-on-demand routing (DDR) dialer configurations; BACP cannot be used in conjunction with the DDR dialer profiles feature.

BACP is configured on virtual template interfaces and physical interfaces that are multilink capable. For both the virtual template interfaces and the dialer interfaces, BACP requires MMP and bidirectional dialing to be working between the routers that will negotiate control and allocation of bandwidth for the multilink bundle.

How to Configure BACP

Before you configure BACP on an interface, determine the following important information. The router might be unable to connect to a peer if this information is incorrect.

- Type of link (ISDN or analog) to be used. Link types must match on the local and remote ends of the link.
- Line speed needed to reach the remote peer. The speed configured for the local physical interface must be at least that of the link. The **bandwidth** command or the **dialer map** command with the **speed** keyword can be used.
- Local telephone number to be used for incoming PPP BACP calls, if it is different from a rotary group base number or if incoming PPP BACP calls should be directed to a specific number.

During negotiations with a peer, PPP BACP might respond with a telephone number *delta*, indicating that the peer should modify certain digits of the dialed phone number and dial again to reach the PPP BACP interface or to set up another link.

BACP can be configured on a virtual template interface or on a dialer interface (including dialer rotary groups and ISDN interfaces).

To configure BACP on a selected interface or interface template, perform the following tasks in the order listed:

- [Enabling BACP](#) (Required)
Passive mode is in effect and the values of several parameters are set by default when PPP BACP is enabled. If you can accept *all* the passive mode parameters, do not continue with the tasks.
- [Modifying BACP Passive Mode Default Settings](#) (As required)
or
- [Configuring Active Mode BACP](#) (As required)



Note

You can configure one interface in passive mode and another in active mode so that one interface accepts incoming call requests and makes callback requests (passive mode), and the other interface makes call requests and accepts callback requests (active mode).

A dialer or virtual template interface should be configured to reflect the required dial capability of the interface. A dial-in pool (in passive mode) might have no requirement to dial out but might want remote users to add multiple links, with the remote user incurring the cost of the call. Similarly, a dial-out configuration (active mode) suggests that the router is a client, rather than a server, on that link. The active-mode user incurs the cost of additional links.

You might need to configure a base telephone number, if it is applicable to your dial-in environment. This number is one that remote users can dial to establish a connection. Otherwise, individual PPP BACP links might need numbers. Information is provided in the task lists for configuring passive mode or active mode PPP BACP. See the **ppp bap number** command options in the task lists.

You can also troubleshoot BACP configuration and operations and monitor interfaces configured for PPP BACP. For details, see the “[Troubleshooting BACP](#)” and “[Monitoring and Maintaining Interfaces Configured for BACP](#)” sections later in this chapter.

See the section “[Configuration Examples for BACP](#)” at the end of this chapter for examples of PPP BACP configuration.

Enabling BACP

To enable PPP bandwidth allocation control and dynamic allocation of bandwidth, use one of the following commands in interface configuration mode:

Command	Purpose
Router(config-if)# ppp multilink bap	Enables PPP BACP bandwidth allocation negotiation.
or	
Router(config-if)# ppp multilink bap required	Enables PPP BACP bandwidth allocation negotiation and enforces mandatory negotiation of BACP for the multilink bundle.

When PPP BACP is enabled, it is in passive mode by default and the following settings are in effect:

- Allows a peer to initiate link addition.
- Allows a peer to initiate link removal.
- Requests that a peer initiate link addition.
- Waits 20 seconds before timing out on pending actions.
- Waits 3 seconds before timing out on not receiving a response from a peer.
- Makes only one attempt to call a number.
- Makes up to three retries for sending a request.
- Searches for and logs up to five free dialers.
- Makes three attempts to send a call status indication.
- Adds only ISDN links to a multilink bundle.
- Monitors load.

The default settings will be in effect in the environment for which the **ppp multilink bap** command is entered:

- Virtual template interface, if that is where the command is entered.
When the command is entered in a virtual template interface, configuration applies to any virtual access interface that is created dynamically under Multilink PPP, the application that defines the template.
- Dialer interface, if that is where the command is entered.

See the section [“Basic BACP Configurations”](#) at the end of this chapter for an example of how to configure BACP.

Modifying BACP Passive Mode Default Settings

To modify the default parameter values or to configure additional parameters in passive mode, use the following commands, as needed, in interface configuration mode for the interface or virtual template interface that is configured for PPP BACP:

Command	Purpose
Router(config-if)# ppp bap timeout pending <i>seconds</i>	Modifies the timeout on pending actions.
Router(config-if)# ppp bap timeout response <i>seconds</i>	Modifies the timeout on not receiving a response from a peer.
Router(config-if)# ppp bap max dial-attempts <i>number</i>	Modifies the number of attempts to call a number.
Router(config-if)# ppp bap max ind-retries <i>number</i>	Modifies the number of times to send a call status indication.
Router(config-if)# ppp bap max req-retries <i>number</i>	Modifies the number of retries of a particular request.
Router(config-if)# ppp bap max dialers <i>number</i>	Modifies the maximum number of free dialers logged.
Router(config-if)# ppp bap link types analog	Specifies that only analog links can be added to a multilink bundle.
OR Router(config-if)# ppp bap link types isdn analog	Allows both ISDN and analog links to be added.
Router(config-if)# ppp bap number default <i>phone-number</i>	For all DDR-capable interfaces in the group, specifies a primary telephone number for the peer to call for PPP BACP negotiation, if different from any base number defined on the dialer interface or virtual template interface.
Router(config-if)# ppp bap number secondary <i>phone-number</i>	For BRI interfaces on which a different number is provided for each B channel, specifies the secondary telephone number.
Router(config-if)# ppp bap drop timer <i>seconds</i>	Specifies a time to wait between outgoing link drop requests.
Router(config-if)# no ppp bap monitor load	Disables the default monitoring of load and the validation of peer requests against load thresholds.

See the section [“Passive Mode Dialer Rotary Group Members with One Dial-In Number”](#) later in this chapter for an example of how to configure passive mode parameters.

Configuring Active Mode BACP

To configure active mode BACP, use the following commands in interface configuration mode for the dialer interface on which BACP was enabled. For your convenience, the commands that make BACP function in active mode are presented before the commands that change default parameters or add parameters.

Command	Purpose
Router(config-if)# ppp bap call request	Enables the interface to initiate the addition of links to the multilink bundle.
Router(config-if)# ppp bap callback accept	Enables the interface to initiate the addition of links upon peer request.
Router(config-if)# ppp bap drop after-retries	Enables the interface to drop a link without negotiation after receiving no response to retries to send a drop request.
Router(config-if)# ppp bap call timer <i>seconds</i>	Sets the time to wait between outgoing call requests.
Router(config-if)# ppp bap timeout pending <i>seconds</i>	Modifies the timeout on pending actions.

Command	Purpose
Router(config-if)# ppp bap timeout response <i>seconds</i>	Modifies the timeout on not receiving a response from a peer.
Router(config-if)# ppp bap max dial-attempts <i>number</i>	Modifies the number of attempts to call a number.
Router(config-if)# ppp bap max ind-retries <i>number</i>	Modifies the number of times to send a call status indication.
Router(config-if)# ppp bap max req-retries <i>number</i>	Modifies the number of retries of a particular request.
Router(config-if)# ppp bap max dialers <i>number</i>	Modifies the maximum number of free dialers logged.
Router(config-if)# ppp bap link types analog	Specifies that only analog links can be added to a multilink bundle.
or Router(config-if)# ppp bap link types isdn analog	Allows both ISDN and analog links to be added.
Router(config-if)# ppp bap number default <i>phone-number</i>	For all DDR-capable interfaces in the group, specifies a primary telephone number for the peer to call for PPP BACP negotiation, if different from any base number defined on the dialer interface or virtual template interface.
Router(config-if)# ppp bap number secondary <i>phone-number</i>	For BRI interfaces on which a different number is provided for each B channel, specifies the secondary telephone number.

When BACP is enabled, multiple dialer maps to one destination are not needed when they differ only by number. That is, once the initial call has been made to create the bundle, further dialing attempts are realized through the BACP phone number negotiation.

Outgoing calls are supported through the use of dialer maps. However, when an initial incoming call creates a dynamic dialer map, the router can dial out if the peer supplies a phone number. This capability is achieved by the dynamic creation of static dialer maps for BACP. These temporary dialer maps can be displayed by using the **show dialer map** command. These temporary dialer maps last only as long as the BACP group lasts and are removed when the BACP group or the associated map is removed.

Monitoring and Maintaining Interfaces Configured for BACP

To monitor interfaces configured for PPP BACP, use any of the following commands in EXEC mode:

Command	Purpose
Router> show ppp bap group [<i>name</i>]	Displays information about all PPP BACP multilink bundle groups or a specific, named multilink bundle group.
Router> show ppp bap queues	Displays information about the BACP queues.
Router> show ppp multilink	Displays information about the dialer interface, the multilink bundle, and the group members.
Router> show dialer	Displays BACP numbers dialed and the reasons for the calls.
Router> show dialer map	Displays configured dynamic and static dialer maps and dynamically created BACP temporary static dialer maps.

Troubleshooting BACP

To troubleshoot the BACP configuration and operation, use the following **debug** commands:

Command	Purpose
Router> debug ppp bap [error event negotiation]	Displays BACP errors, protocol actions, and negotiation events and transitions.
Router> debug ppp multilink events	Displays information about events affecting multilink bundles established for BACP.

Configuration Examples for BACP

The following sections provide BACP configuration examples:

- [Basic BACP Configurations](#)
- [Dialer Rotary Group with Different Dial-In Numbers](#)
- [Passive Mode Dialer Rotary Group Members with One Dial-In Number](#)
- [PRI Interface with No Defined PPP BACP Number](#)
- [BRI Interface with No Defined BACP Number](#)

Basic BACP Configurations

The following example configures an ISDN BRI interface for BACP to make outgoing calls and prevent the peer from negotiating link drops:

```
interface bri 0
 ip unnumbered ethernet 0
 dialer load-threshold 10 either
 dialer map ip 172.21.13.101 name bap-peer 12345668899
 encapsulation ppp
 ppp multilink bap
 ppp bap call request
 ppp bap callback accept
 no ppp bap call accept
 no ppp bap drop accept
 ppp bap pending timeout 30
 ppp bap number default 5664567
 ppp bap number secondary 5664568
```

The following example configures a dialer rotary group to accept incoming calls:

```
interface async 1
 no ip address
 encapsulation ppp
 dialer rotary-group 1
 ppp bap number default 5663456
 !
 ! Set the bandwidth to suit the modem/line speed on the remote side.
interface bri 0
 no ip address
 bandwidth 38400
 encapsulation ppp
```

```

dialer rotary-group 1
ppp bap number default 5663457
!
interface bri 1
no ip address
encapsulation ppp
dialer rotary-group 1
ppp bap number default 5663458
!
interface dialer1
ip unnumbered ethernet 0
encapsulation ppp
ppp multilink bap
ppp bap call accept
ppp bap link types isdn analog
dialer load threshold 30
ppp bap timeout pending 60

```

The following example configures a virtual template interface to use BACP in passive mode:

```

multilink virtual-template 1
!
interface virtual-template 1
ip unnumbered ethernet 0
encapsulation ppp
ppp multilink bap
ppp authentication chap callin

```

The bundle is created from any MMP-capable interface.

The following example creates a bundle on a BRI interface:

```

interface bri 0
no ip address
encapsulation ppp
ppp multilink
ppp bap number default 4000
ppp bap number secondary 4001

```

Dialer Rotary Group with Different Dial-In Numbers

The following example configures a dialer rotary group that has four members, each with a different number, and that accepts incoming dial attempts. The dialer interface does not have a base phone number; the interface used to establish the first link in the multilink bundle will provide the appropriate number from its configuration.

```

interface bri 0
no ip address
encapsulation ppp
dialer rotary-group 1
no fair-queue
no cdp enable
ppp bap number default 6666666
!
interface bri 1
no ip address
encapsulation ppp
dialer rotary-group 1
no fair-queue
no cdp enable
ppp bap number default 6666667
!

```

```
interface bri 2
  no ip address
  encapsulation ppp
dialer rotary-group 1
  no fair-queue
  no cdp enable
  ppp bap number default 6666668
!
interface bri 3
  no ip address
  encapsulation ppp
dialer rotary-group 1
  no fair-queue
  no cdp enable
  ppp bap number default 6666669
!
interface dialer 1
  ip unnumbered Ethernet0
  encapsulation ppp
  dialer in-band
  dialer idle-timeout 300
  dialer-group 1
  no fair-queue
  no cdp enable
  ppp authentication chap
  ppp multilink bap
  ppp bap call accept
  ppp bap callback request
  ppp bap timeout pending 20
  ppp bap timeout response 2
  ppp bap max dial-attempts 2
  ppp bap monitor load
```

Passive Mode Dialer Rotary Group Members with One Dial-In Number

The following example, a dialer rotary group with two members each with the same number, accepts incoming dial attempts. The dialer interface has a base phone number because each of its member interfaces is in a hunt group and the same number can be used to access each individual interface.

```
interface bri 0
  no ip address
  encapsulation ppp
dialer rotary-group 1
  no fair-queue
  no cdp enable
!
interface bri 1
  no ip address
  encapsulation ppp
dialer rotary-group 1
  no fair-queue
  no cdp enable
!
interface dialer 1
  ip unnumbered Ethernet0
  encapsulation ppp
  dialer in-band
  dialer idle-timeout 300
  dialer-group 1
  no fair-queue
  no cdp enable
```

```

ppp authentication chap
ppp multilink bap
ppp bap call accept
ppp bap callback request
ppp bap timeout pending 20
ppp bap timeout response 2
ppp bap max dial-attempts 2
ppp bap monitor load
ppp bap number default 6666666

```

PRI Interface with No Defined PPP BACP Number

In the following example, a PRI interface has no BACP number defined and accepts incoming dial attempts (passive mode). The PRI interface has no base phone number defined, so each attempt to add a link would result in a delta of zero being provided to the calling peer. To establish the bundle, the peer should then dial the same number as it originally used.

```

interface serial 0:23
ip unnumbered Ethernet0
encapsulation ppp
dialer in-band
dialer idle-timeout 300
dialer-group 1
no fair-queue
no cdp enable
ppp authentication chap
ppp multilink bap
ppp bap call accept
ppp bap callback request
ppp bap timeout pending 20
ppp bap timeout response 2
ppp bap max dial-attempts 2
ppp bap monitor load

```

BRI Interface with No Defined BACP Number

In the following example, the BRI interface has no base phone number defined. The number that it uses to establish the bundle is that from the dialer map, and all phone delta operations are applied to that number.

```

interface bri 0
ip unnumbered Ethernet0
encapsulation ppp
dialer in-band
dialer idle-timeout 300
dialer map ip 10.1.1.1 name bap_peer speed 56 19998884444
dialer-group 1
no fair-queue
no cdp enable
ppp authentication chap
ppp multilink bap
ppp bap call request
ppp bap timeout pending 20
ppp bap timeout response 2
ppp bap max dial-attempts 2
ppp bap monitor load

```

Cisco and the Cisco Logo are trademarks of Cisco Systems, Inc. and/or its affiliates in the U.S. and other countries. A listing of Cisco's trademarks can be found at www.cisco.com/go/trademarks. Third party trademarks mentioned are the property of their respective owners. The use of the word partner does not imply a partnership relationship between Cisco and any other company. (1005R)

Any Internet Protocol (IP) addresses and phone numbers used in this document are not intended to be actual addresses and phone numbers. Any examples, command display output, network topology diagrams, and other figures included in the document are shown for illustrative purposes only. Any use of actual IP addresses or phone numbers in illustrative content is unintentional and coincidental.

© 2001–2009 Cisco Systems, Inc. All rights reserved.



Dial Access Specialized Features



Configuring an IP Local Pools Holdback Timer

The IP Local Pools Holdback Timer feature allows you to configure a delay in the recycle of free IP addresses from the local pool. You can configure a unique IP address list for each pool.

With Cisco IOS Release 12.4(15)T and later releases, you can use the **ip local pool** command in global configuration mode to configure the list of IP addresses to delay before recycling and set the recycle delay time.

Feature History for IP Local Pools Holdback Timer

Release	Modification
12.4(15)T	This feature was introduced.

Contents

- [Prerequisites for the IP Local Pools Holdback Timer, page 1121](#)
- [Information About the IP Local Pools Holdback Timer, page 1121](#)
- [How to Configure the IP Local Pools Holdback Timer, page 1122](#)
- [Additional References, page 1123](#)

Prerequisites for the IP Local Pools Holdback Timer

- Establish a working Point-to-Point Protocol over Ethernet (PPPoE) 802.IQ network
- Establish IP local pools

Information About the IP Local Pools Holdback Timer

The IP Local Pools Holdback Timer feature allows you to configure a recycle delay for each free IP address before it returns to a local pool for reassignment to a different user. You can configure a holdback timers with unique values, one for each pool, and track each pool separately.



Americas Headquarters:
Cisco Systems, Inc., 170 West Tasman Drive, San Jose, CA 95134-1706 USA

The IP Local Pools Holdback Timer feature adds a time-stamp field to the pool element data structure that delays the reuse of the released IP address. The time-stamp field sets whenever the state of the pool element returns to POOL_ELEMENT_FREE, and the element returns to the Free Queue.

When there is a request for a specific IP address that is available for assignment, then the current time is compared against the time stamp configured for that IP address. If the time stamp equals or exceeds the configured recycle delay, the IP address is freed for assignment.

If the compared time difference is lower than the configured recycle delay, and if no other free IP addresses are available, the address allocation request is denied.

If there are free IP addresses when a request is made to get the first free IP address from the free queue, the difference between the current time stamp and the time stamp stored for the first IP address is calculated. If the difference equals or exceeds the configured recycle delay, the IP address is allocated to the peer.

If the configured recycle delay is not equal or exceeded, then the request is denied. Because the free queue is a first-in, first-out (FIFO) queue, all the other IP addresses will have a greater recycle delay than the first IP address. When an address assignment request is denied because the IP address recycle delay time has not expired, a count increments for the pool.

An IP address from the pool is marked as an orphan, when the IP address is still in use but the underlying IP pool has been removed or changed. In these cases, there is no pool for the IP address to return to when the session terminates. The IP address frees immediately and no recycle delay is applied.

How to Configure the IP Local Pools Holdback Timer

This section describes the procedures for configuring the IP Local Pools Holdback Timer feature. For complete information on commands, see the [Cisco IOS Dial Technologies Command Reference, Release 12.4](#).

To configure an IP local pool holdback timer, follow these steps:

SUMMARY STEPS

1. **enable**
2. **configure terminal**
3. **ip local pool** *poolname low-ip-address [high-ip-address]* **recycle delay** *seconds*
4. **exit**

DETAILED STEPS

	Command or Action	Purpose
Step 1	enable Example: Router> enable	Enables privileged EXEC mode. <ul style="list-style-type: none"> • Enter your password if prompted.
Step 2	configure terminal Example: Router# configure terminal	Enters global configuration mode.
Step 3	ip local pool poolname low-ip-address [high-ip-address] recycle delay seconds Example: Router(config)# ip local pool example 10.1.1.1 10.2.1.1 recycle delay 30	Sets the IP local pool recycle delay for the poolname.
Step 4	exit Example: Router(config)# exit	Exits the current mode.

Configuring an IP Local Pools Holdback Timer: Example

The following example shows how to configure an IP local pools holdback timer of 30 seconds for the local pool example_pool for the IP address range 10.1.1.1 through 10.2.1.1:

```
gateway> enable
gateway# configure terminal
Enter configuration commands, one per line. End with CNTL/Z.
gateway(config)# ip local pools example_pool 10.1.1.1 10.2.1.1 recycle delay 30
```

Additional References

The following sections provide references related to the IP Local Pools Holdback Timer feature.

MIBs

MIB	MIBs Link
None	To locate and download MIBs for selected platforms, Cisco IOS releases, and feature sets, use Cisco MIB Locator found at the following URL: http://www.cisco.com/go/mibs

Technical Assistance

Description	Link
The Cisco Technical Support website contains thousands of pages of searchable technical content, including links to products, technologies, solutions, technical tips, and tools. Registered Cisco.com users can log in from this page to access even more content.	http://www.cisco.com/techsupport

Cisco and the Cisco Logo are trademarks of Cisco Systems, Inc. and/or its affiliates in the U.S. and other countries. A listing of Cisco's trademarks can be found at www.cisco.com/go/trademarks. Third party trademarks mentioned are the property of their respective owners. The use of the word partner does not imply a partnership relationship between Cisco and any other company. (1005R)

Any Internet Protocol (IP) addresses and phone numbers used in this document are not intended to be actual addresses and phone numbers. Any examples, command display output, network topology diagrams, and other figures included in the document are shown for illustrative purposes only. Any use of actual IP addresses or phone numbers in illustrative content is unintentional and coincidental.

© 2001–2009 Cisco Systems, Inc. All rights reserved.



Configuring Large-Scale Dial-Out



L2TP Large-Scale Dial-Out

Feature History

Release	Modification
12.2(4)T	This feature was introduced.
12.2(11)T	This feature was implemented on Cisco access server platforms.

This document describes the L2TP Large-Scale Dial-Out feature. It includes the following sections:

- [Feature Overview, page 1125](#)
- [Supported Platforms, page 1127](#)
- [Supported Standards, MIBs, and RFCs, page 1128](#)
- [Configuration Tasks, page 1128](#)
- [Monitoring and Maintaining L2TP Large-Scale Dial-Out, page 1136](#)
- [Configuration Examples, page 1136](#)
- [Command Reference, page 1138](#)

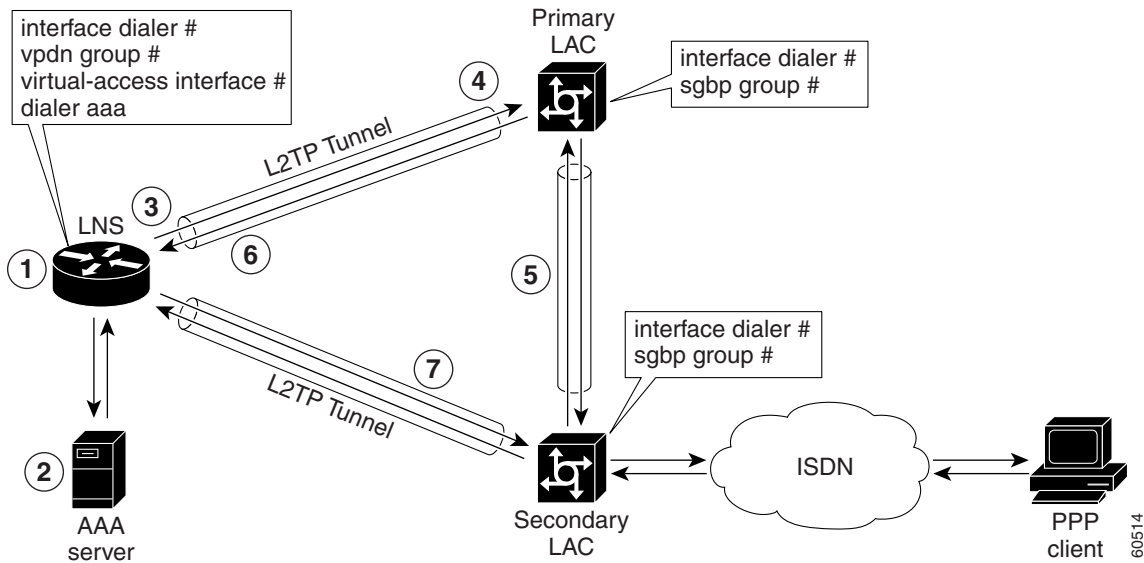
Feature Overview

The Asynchronous Line Monitoring feature enables the router to dial multiple Layer 2 Tunnel Protocol (L2TP) access concentrators (LACs) from a single L2TP network server (LNS). The LACs are signaled through the LNS and use L2TP to establish the dial sessions. User-defined profiles can be configured on an authentication, authorization, and accounting (AAA) server and retrieved by the LNS when dial-out occurs. The Asynchronous Line Monitoring feature also supports multiple LACs bound into one stack group, call traffic load balancing, and outbound call congestion management.

[Figure 1](#) provides an example of L2TP large-scale dial-out session startup. Each part of the process is numbered and described in text following the figure.



Figure 1 Sample Scenario L2TP Large-Scale Dial-Out Session



1. The IP packets arrive at the LNS and are forwarded to the dialer interface by the routing protocol. (A virtual access interface has not been created yet.)
2. A dialer session is created and placed in a pending state while the dialer interface sends a Dial Out Request message to the AAA server requesting the user profile. The AAA server sends the user profile, and the LNS builds a dynamic map based on the reply.
3. The dialer interface looks for its dial resources and finds the virtual private dialup network (VPDN) group. The dialer interface then issues a dial call request to the VPDN group, which creates a virtual access interface. The virtual access interface becomes a member of a rotary group.
4. If there is no existing L2TP tunnel between the LNS and the primary LAC, the LNS would establish one; otherwise, it uses the existing tunnel. The LNS sends an Outgoing Call ReQuest (OCRQ) message, inside of which is the dynamic dialer map, to the primary LAC.
5. Upon receiving the OCRQ message, the primary LAC determines whether it is congested. If the primary LAC is congested, it sends a Stack Group Bidding Protocol (SGBP) Discover message through a new tunnel to the secondary LAC in the scenario depicted in Figure 1, but it could send the message to any other LAC configured in the SGBP stack group.

After the secondary LAC receives the SGBP Discover message from the LNS, it responds with an SGBP Offer message describing available resources.

6. If neither LAC has resources to dial out, the primary LAC would send a Call Disconnect Notification (CDN) message to the LNS. The LNS would then tear down the tunnel.

If the secondary LAC has more resources, the primary LAC can choose to dial through the secondary LAC. The primary LAC sends a CDN message to the LNS with error code 7, which means “Try another” as defined in RFC 2661. Inside this message, the LNS learns that its dial-out request should be redirected to the secondary LAC, and the LNS clears the session to the primary LAC.

7. The LNS creates a new tunnel to the secondary LAC if one does not exist. The dial-out LAC creates a VPDN session and sets it in a pending state. It then places a call to the PPP client. Once the call is connected, the LAC determines to which pending VPDN session the connected interface belongs and binds the connected interface with the session. The secondary LAC sends an Outgoing Call

Connected (OCCN) message to the LNS. The LNS determines for which pending virtual access interface and VPDN session this OCCN is meant, and then the LNS brings up the virtual access interface.

Benefits

Large-Scale Dial-Out Integrated with L2TP

Before Cisco IOS Release 12.2(4)T, L2TP required that requests for tunneled dial-out calls be from a single LNS to a single LAC, and that configurations be available on the local server. The Asynchronous Line Monitoring feature introduced in Cisco IOS Release 12.2(4)T allows dialing multiple LACs from a single LNS. The LACs are signaled through the LNS using L2TP to establish the dial sessions. User-defined profiles can also be configured on a AAA server and retrieved by the LNS when dial-out occurs.

Enhanced Dial Management

The Asynchronous Line Monitoring feature also provides the following benefits:

- Multiple LACs bound into one stack group
- Call traffic load balancing
- Outbound call congestion management

Related Features and Technologies

L2TP, VPDNs, and large-scale dial-out are described in the *Cisco IOS Dial Technologies Configuration Guide*, Release 12.2. Refer to the chapter “Configuring Virtual Private Networks” in the part “Virtual Templates, Profiles, and Networks,” and the chapter “Configuring Large-Scale Dial-Out” in the part “Dial Access Specialized Features.”

Supported Platforms

See the next section for information about Feature Navigator and how to use this tool to determine the platforms and software images in which this feature is available.

Platform Support Through Feature Navigator

Cisco IOS software is packaged in feature sets that support specific platforms. To get updated information regarding platform support for this feature, access Feature Navigator. Feature Navigator dynamically updates the list of supported platforms as new platform support is added for the feature.

Feature Navigator is a web-based tool that enables you to quickly determine which Cisco IOS software images support a specific set of features and which features are supported in a specific Cisco IOS image.

To access Feature Navigator, you must have an account on Cisco.com. If you have forgotten or lost your account information, send a blank e-mail to cco-locksmith@cisco.com. An automatic check will verify that your e-mail address is registered with Cisco.com. If the check is successful, account details with a new random password will be e-mailed to you. Qualified users can establish an account on Cisco.com by following the directions at <http://www.cisco.com/register>.

Feature Navigator is updated when major Cisco IOS software releases and technology releases occur. As of May 2001, Feature Navigator supports M, T, E, S, and ST releases. You can access Feature Navigator at the following URL:

<http://www.cisco.com/go/fn>

Supported Standards, MIBs, and RFCs

Standards

None

MIBs

None

To obtain lists of supported MIBs by platform and Cisco IOS release, and to download MIB modules, go to the Cisco MIB website on Cisco.com at the following URL:

<http://www.cisco.com/public/sw-center/netmgmt/cmtk/mibs.shtml>

RFCs

- RFC 2661, *Layer Two Tunneling Protocol (L2TP)*

Configuration Tasks

See the following sections for configuration tasks for the Asynchronous Line Monitoring feature. Each task in the list is identified as either required or optional:

- [Configuring the LNS to Request Dial-Out](#) (required)
- [Configuring a LAC to Accept Dial-Out](#) (required)

Configuring the LNS to Request Dial-Out

Virtual profiles depend on PPP authentication; therefore the LNS must authenticate the connection to use virtual profiles.

You must configure AAA network security services on the LNS. For more information about AAA, refer to the chapter “AAA Overview” in the *Cisco IOS Security Configuration Guide*, Release 12.2. The *Cisco IOS Security Command Reference*, Release 12.2, describes the commands to configure AAA.

You also need to configure your LNS to communicate with the applicable security server, either a TACACS+ or RADIUS daemon.

If you are using RADIUS and Ascend attributes, use the **radius-server host non-standard** global configuration command to enable your Cisco router, acting as a network access server, to recognize that the RADIUS security server is using a vendor-proprietary version of RADIUS. Use the **radius-server key** global configuration command to specify the shared secret text string used between your Cisco router and the RADIUS server. For more information, refer to the chapter “Configuring RADIUS” in the *Cisco IOS Security Configuration Guide*, Release 12.2.

If you are using TACACS+, use the **tacacs-server host** global configuration command to specify the IP address of one or more TACACS+ daemons. Use the **tacacs-server key** global configuration command to specify the shared secret text string used between your Cisco router and the TACACS+ daemon. For more information, see the *Cisco IOS Security Configuration Guide*, Release 12.2.

To configure the LNS to request dial-out tunneled PPP connections from a LAC, use the following commands beginning in global configuration mode:

	Command	Purpose
Step 1	Router(config)# vpdn enable	Enables VPDN and directs the router to look for tunnel definitions on a remote authorization server.
Step 2	Router(config)# vpdn group 1	Creates VPDN group 1 and enters VPDN group configuration mode.
Step 3	Router(config- <i>vpdn</i>)# request-dialout	Enters VPDN request-dialout group configuration mode and enables the tunnel server to send L2TP dial-out requests.
Step 4	Router(config- <i>vpdn-req-ou</i>)# protocol l2tp	Specifies L2TP as the tunneling protocol. Note L2TP is the only protocol that supports dial-out.
Step 5	Router(config- <i>vpdn-req-ou</i>)# rotary-group <i>group-number</i>	Specifies the dialer rotary group that will be used to dial out. Note You can configure only one dialer rotary group. Attempting to configure a second dialer resource will remove the first from the configuration.
Step 6	Router(config- <i>vpdn-req-ou</i>)# virtual-template <i>template-number</i>	Specifies the number of the virtual template that will be used to clone the virtual access interface.
Step 7	Router(config- <i>vpdn-req-ou</i>)# exit	Returns to VPDN group configuration mode.
Step 8	Router(config- <i>vpdn</i>)# initiate-to ip <i>ip-address</i>	Specifies the IP address that will be dialed out. This is the IP address of the LAC. Note The limit and priority keywords are not available for VPDN dial-out.
Step 9	Router(config- <i>vpdn</i>)# local name <i>hostname</i>	Specifies that the L2TP tunnel will identify itself with this host name.
Step 10	Router(config- <i>vpdn</i>)# exit	Returns to global configuration mode.
Step 11	Router(config)# virtual-template <i>template-number</i>	Specifies the number of the virtual template that will be used to clone the virtual access interface. Enters interface configuration mode so that you can set the configuration parameters that you want applied to virtual access interfaces.
Step 12	Router(config-if)# interface virtual-template <i>number</i>	Creates a virtual template interface that can be configured and applied dynamically in creating virtual access interfaces.

	Command	Purpose
Step 13	Router(config-if)# no ip directed-broadcast	Disables the translation of a directed broadcast to physical broadcasts.
Step 14	Router(config-if)# encapsulation ppp	Sets the PPP encapsulation method on the interface.
Step 15	Router(config-if)# ppp multilink	Enables Multilink PPP (MLP) on an interface.
Step 16	Router(config-if)# exit	Returns to global configuration mode.
Step 17	Router(config)# aaa new-model	Enables AAA access control .
Step 18	Router(config)# aaa authentication arguments	Specifies one or more AAA authentication methods for use on serial interfaces that are running PPP. Refer to the Cisco IOS security guides for specific authentication arguments for your network security configuration.
Step 19	Router(config)# aaa authorization arguments	Sets parameters that restrict user access to a network. Refer to the Cisco IOS security guides for specific authentication arguments for your network security configuration.
Step 20	Router(config)# interface dialer 1	Enters interface configuration mode for dialer interface 1.
Step 21	Router(config-if)# dialer in-band	Specifies that DDR is to be supported.
Step 22	Router(config-if)# dialer vpdn	Enables a dialer profile to use L2TP dial-out.
Step 23	Router(config-if)# dialer aaa [suffix suffix password password]	Allows a dialer to access the AAA server for dialing information or, optionally, specifies a suffix and nondefault password for authentication.
Step 24	Router(config-if)# no ip directed-broadcast	Disables the translation of a directed broadcast to physical broadcasts.
Step 25	Router(config-if)# dialer-group group-number	Controls access by configuring an interface to belong to a specific dialing group.
Step 26	Router(config-if)# dialer-list dialer-group protocol protocol-name {permit deny list access-list-number access-group}	Defines a DDR dialer list to control dialing by protocol or by a combination of a protocol and a previously defined access list.
Step 27	Router(config-if)# encapsulation ppp	Sets the PPP encapsulation method on the dialer interface.
Step 28	Router(config-if)# ppp multilink	Enables MLP on an interface.

The MLP feature provides load-balancing functionality over multiple WAN links and offers load calculation on both inbound and outbound traffic. Refer to the part “PPP Configuration” and the chapter “Configuring Media-Independent PPP and Multilink PPP” in the *Cisco IOS Dial Technologies Configuration Guide*, Release 12.2, for more information.

See the configuration examples later in this document for additional commands that may be configured on the LAC.

Configuring a LAC to Accept Dial-Out

You must configure SGBP to allow a primary LAC that is congested or otherwise unable to dial out to select an alternate LAC to dial out. Configure SGBP using the **sgbp group** and **sgbp member** global configuration commands before enabling the stack group to bid for dial-out connection. Configuring SGBP is described in the chapter “Configuring Multichassis Multilink PPP” in the *Cisco IOS Dial Technologies Configuration Guide*, Release 12.2. The *Cisco IOS Dial Technologies Command Reference*, Release 12.2, describes the commands to configure a stack group.

Additionally, the information about configuring network security in the section “[Configuring the LNS to Request Dial-Out](#)” of this document also applies to configuring the LAC.

To configure a LAC to accept tunneled dial-out connections from the LNS, use the following commands beginning in global configuration mode:

	Command	Purpose
Step 1	Router(config)# vpdn enable	Enables VPDN and directs the router to look for tunnel definitions on a remote authorization server.
Step 2	Router(config)# vpdn group 1	Creates VPDN group 1 and enters VPDN group configuration mode.
Step 3	Router(config-vpdn)# accept-dialout	Enters VPDN accept-dialout group configuration mode and enables the NAS to accept L2TP dial-out requests.
Step 4	Router(config-vpdn-acc-ou)# protocol l2tp	Specifies L2TP as the tunneling protocol. Note L2TP is the only protocol that supports dial-out.
Step 5	Router(config-vpdn-acc-ou)# dialer dialer-interface	Specifies the dialer that is used to dial out to the client.
Step 6	Router(config-vpdn-acc-ou)# exit	Returns to VPDN group configuration mode.
Step 7	Router(config-vpdn)# initiate-to ip ip-address [limit limit-number] [priority priority-number]	Specifies the IP address that will be tunneled to.
Step 8	Router(config-vpdn)# local name hostname	Specifies that the L2TP tunnel will identify itself with this host name.
Step 9	Router(config-vpdn)# exit	Returns to global configuration mode.
Step 10	Router(config)# aaa new-model	Enables the AAA access control model.
Step 11	Router(config)# aaa authentication arguments	Specifies one or more AAA authentication methods for use on serial interfaces that are running PPP. Refer to the Cisco IOS security guides for specific authentication arguments for your network security configuration.
Step 12	Router(config)# aaa authorization arguments	Sets parameters that restrict user access to a network. Refer to the Cisco IOS security guides for specific authorization arguments for your network security configuration.
Step 13	Router(config)# username name password password	Creates authentication credentials for the stack group.
Step 14	Router(config)# sgbp group name	Creates the stack group and assigns this router to it.

	Command	Purpose
Step 15	Router(config)# sgbp member peer-name [peer-ip-address]	Specifies a peer member of the stack group.
Step 16	Router(config)# interface dialer 1	Enters interface configuration mode for dialer interface 1.
Step 17	Router(config-if)# dialer aaa	Allows a dialer to access the AAA server for dialing information.
Step 18	Router(config-if)# dialer in-band	Specifies that DDR is to be supported.
Step 19	Router(config-if)# no ip directed-broadcast	Disables the translation of a directed broadcast to physical broadcasts.
Step 20	Router(config-if)# encapsulation ppp	Sets the PPP encapsulation method on the dialer interface.
Step 21	Router(config-if)# ppp multilink	Enables MLP on an interface.

See the configuration examples later in this document for additional commands that may be configured on the LAC.

Verifying L2TP Large-Scale Dial-Out

To verify that L2TP large-scale dial-out is configured correctly, perform the following steps:

- Step 1** From the LNS, display tunnel statistics by entering the **show vpdn** and the **show vpdn tunnel all EXEC** commands:

```
Router# show vpdn
```

```
L2TP Tunnel and Session Information Total tunnels 1 sessions 1
LocID RemID Remote Name State Remote Address Port Sessions
55788 55043 rdt5300-15 est 10.23.1.1 1701 1
LocID RemID TunID Intf Username State Last Chg
Fastswitch
83 50 55788 Vi1 rdt7204-1 est 00:01:08
enabled
```

```
%No active L2F tunnels
```

```
%No active PPTP tunnels
```

```
%No active PPPoE tunnels
```

```
Router# show vpdn tunnel all
```

```
L2TP Tunnel Information Total tunnels 1 sessions 1
```

```
Tunnel id 8873 is up, remote id is 41736, 1 active sessions
Tunnel state is established, time since change 00:00:05
Remote tunnel name is rdt5300-15
Internet Address 10.23.1.1, port 1701
Local tunnel name is rdt7206vvr-8
Internet Address 10.23.1.100, port 1701
11 packets sent, 12 received
653 bytes sent, 666 received
Control Ns 3, Nr 3
Local RWS 10000 (default), Remote RWS 800
```



```

Tunnel PMTU checking disabled
Retransmission time 1, max 1 seconds
Unsent queuesize 0, max 0
Resend queuesize 0, max 2
Total resends 0, ZLB ACKs sent 2
Current nosession queue check 0 of 5
Retransmit time distribution: 0 2 0 0 0 0 0 0
Sessions disconnected due to lack of resources 0

%No active L2F tunnels

%No active PPTP tunnels

%No active PPPoE tunnels

```

Step 2 From the LNS, enter the **show interfaces virtual-access EXEC** command to verify that the interface is up and that no errors are reported:

```

Router# show interfaces virtual-access 1

Virtual-Access1 is up, line protocol is up
  Hardware is Virtual Access interface
  MTU 1500 bytes, BW 64 Kbit, DLY 100000 usec,
    reliability 255/255, txload 1/255, rxload 1/255
  Encapsulation PPP, loopback not set
  DTR is pulsed for 5 seconds on reset
  Time to interface disconnect:  idle 00:01:16
  Interface is bound to Di1 (Encapsulation PPP)
  LCP Open, multilink Open
  Open: IPCP, CDPCP
  Last input 00:00:07, output never, output hang never
  Last clearing of "show interface" counters 00:01:33
  Input queue: 0/75/0/0 (size/max/drops/flushes); Total output drops: 0
  Queueing strategy: weighted fair
  Output queue: 0/1000/64/0 (size/max total/threshold/drops)
    Conversations 0/1/16 (active/max active/max total)
    Reserved Conversations 0/0 (allocated/max allocated)
    Available Bandwidth 48 kilobits/sec
  5 minute input rate 0 bits/sec, 0 packets/sec
  5 minute output rate 0 bits/sec, 0 packets/sec
    9 packets input, 767 bytes, 0 no buffer
    Received 0 broadcasts, 0 runts, 0 giants, 0 throttles
    0 input errors, 0 CRC, 0 frame, 0 overrun, 0 ignored, 0 abort
    10 packets output, 849 bytes, 0 underruns
    0 output errors, 0 collisions, 0 interface resets
    0 output buffer failures, 0 output buffers swapped out
    0 carrier transitions

```

Step 3 From the LNS, display information for MLP bundles by entering the **show ppp multilink EXEC** command:

```

Router# show ppp multilink

Virtual-Access3, bundle name is rdt7204-1
  Bundle up for 00:01:19
  Using relaxed lost fragment detection algorithm.
  Dialer interface is Dialer1
  0 lost fragments, 0 reordered, 0 unassigned
  0 discarded, 0 lost received, 1/255 load
  0x8 received sequence, 0x8 sent sequence
  Member links: 4 (max not set, min not set)
    rdt5300-15:Virtual-Access1 (10.23.1.1), since 00:01:19, last rcvd seq

```

```

000006, unsequenced
    rdt5300-15:Virtual-Access5 (10.23.1.1), since 00:01:18, last rcvd seq
000007, unsequenced
    rdt5300-15:Virtual-Access4 (10.23.1.1), since 00:00:48, no frags rcvd,
unsequenced
    rdt5300-15:Virtual-Access6 (10.23.1.1), since 00:00:18, no frags rcvd,
unsequenced

```

Step 4 From the LAC, display active tunnel statistics by entering the **show vpdn** and **show vpdn tunnel all EXEC** commands:

```
Router# show vpdn
```

```
L2TP Tunnel and Session Information Total tunnels 1 sessions 1
```

LocID	RemID	Remote Name	State	Remote Address	Port	Sessions
51111	46115	rdt7206vvr-8	est	10.23.1.100	1701	1

LocID	RemID	TunID	Intf	Username	State	Last Chg
2	86	51111	Se0:22	rdt7204-1	est	00:00:05

enabled

```
%No active L2F tunnels
```

```
%No active PPTP tunnels
```

```
%No active PPPoE tunnels
```

```
Router# show vpdn tunnel all
```

```
L2TP Tunnel Information Total tunnels 1 sessions 1
```

```

Tunnel id 51111 is up, remote id is 46115, 1 active sessions
Tunnel state is established, time since change 00:00:18
Remote tunnel name is rdt7206vvr-8
    Internet Address 10.23.1.100, port 1701
Local tunnel name is rdt5300-15
    Internet Address 10.23.1.1, port 1701
13 packets sent, 12 received
1156 bytes sent, 677 received
Control Ns 3, Nr 3
Local RWS 800 (default), Remote RWS 800 (max)
Tunnel PMTU checking disabled
Retransmission time 1, max 1 seconds
Unsent queuesize 0, max 0
Resend queuesize 0, max 1
Total resends 1, ZLB ACKs sent 2
Current nosession queue check 0 of 5
Retransmit time distribution: 0 3 1 0 0 0 0 0 0
Sessions disconnected due to lack of resources 0

```

```
%No active L2F tunnels
```

```
%No active PPTP tunnels
```

```
%No active PPPoE tunnels
```

Step 5 From the LAC, confirm active SGBP group members by entering the **show sgbp EXEC** command:

```
Router# show sgbp

Group Name: bri_pri Ref: 0x7B920584
Seed bid: default, 50, default seed bid setting

Member Name: rdt3640-17 State: active Id: 2
Ref: 0x73069C41
Address: 10.23.1.2
```

Step 6 From the LAC, display connection status by entering the **show isdn status EXEC** command or the **show user EXEC** command:

```
Router# show isdn status

Global ISDN Switchtype = primary-5ess
ISDN Serial0:23 interface
    dsl 0, interface ISDN Switchtype = primary-5ess
Layer 1 Status:
    ACTIVE
Layer 2 Status:
    TEI = 0, Ces = 1, SAPI = 0, State = MULTIPLE_FRAME_ESTABLISHED
Layer 3 Status:
    2 Active Layer 3 Call(s)
    CCB:callid=8008, sapi=0, ces=0, B-chan=23, calltype=DATA
    CCB:callid=8009, sapi=0, ces=0, B-chan=22, calltype=DATA
Active dsl 0 CCBs = 2
The Free Channel Mask: 0x801FFFFFF
Number of L2 Discards = 0, L2 Session ID = 0
Total Allocated ISDN CCBs = 2
```

```
Router# show user
```

Line	User	Host(s)	Idle	Location
* 0 con 0		idle	00:00:00	

Interface	User	Mode	Idle	Peer
Se0:20		Sync PPP	-	
Se0:21		Sync PPP	-	
Se0:22		Sync PPP	-	

Monitoring and Maintaining L2TP Large-Scale Dial-Out

To monitor and maintain L2TP large-scale dial-out, use the following EXEC commands:

Command	Purpose
Router> clear dialer sessions	Removes all dialer sessions and disconnects links.
Router# clear vpdn tunnel l2tp <i>network-access-server gateway-name</i>	Shuts down a specific tunnel and all the sessions within the tunnel.
Router> show dialer sessions	Displays all dialer sessions.
Router# show interfaces virtual access <i>number</i>	Displays information about the virtual access interface, LCP, protocol states, and interface statistics. The status of the virtual access interface should be: Virtual-Access <i>n</i> is up, line protocol is up
Router> show ip route [static [download]]	Displays all static IP routes or those installed using the AAA route download function.
Router> show ppp multilink	Displays MLP and Multichassis Multilink PPP (MMP) bundle information.
Router# show vpdn	Displays a summary of all active VPDN tunnels.
Router# show vpdn group [<i>name</i> <i>name domain</i> <i>name endpoint</i>]	Displays a summary of the relationships among VPDN groups and customer or VPDN profiles. Note When you include the name of the VPDN group, the output displays information on domain or DNIS, tunnel endpoint, session limits, group priority, active sessions, group status, and reserved sessions.
Router# show vpdn history failure	Displays information about VPDN user failures.
Router# show vpdn multilink	Displays VPDN multilink information.
Router# show vpdn session [all packets sequence state timers window] [interface tunnel username]	Displays VPDN session information including interface, tunnel, username, packets, status, and window statistics.
Router# show vpdn tunnel [all packets state summary transport] [id local-name remote-name]	Displays VPDN tunnel information including tunnel protocol, ID, local and remote tunnel names, packets sent and received, tunnel, and transport status.

Configuration Examples

This section provides the following configuration examples:

- [LNS Configured to Request Dial-Out Example](#)
- [LAC Configured to Accept Dial-Out Example](#)

LNS Configured to Request Dial-Out Example

In the following example, the LNS VPDN group is configured to make a dial-out request using L2TP:

```

vpdn enable
!
vpdn group 2
  request-dialout
  protocol l2tp
  rotary-group 1
  local name group1
  initiate-to ip 10.3.2.1 limit 5 priority 2
!
interface virtual-template 1
  no ip directed-broadcast
  encapsulation ppp
  ppp multilink
!
interface Dialer 1
  no ip directed-broadcast
  dialer in-band
  dialer vpdn
  dialer aaa
  dialer-group 1
  access-list 101 permit ip 0.0.0.0 255.255.255.255 0.0.0.0 255.255.255.255
  dialer-list 1 protocol ip list 101
  encapsulation ppp
  ppp multilink
  no fair-queue
  ppp authentication chap

```

LAC Configured to Accept Dial-Out Example

In the following example, the VPDN group of a LAC is configured to accept dial-outs using L2TP as the tunneling protocol and dialer interface 2:

```

vpdn enable
!
vpdn group 1
  accept-dialout
  protocol l2tp
  dialer 2
  local name group2
  terminate-from hostname host2
!
aaa new-model
aaa authentication ppp default radius local
aaa authorization network default radius none
aaa authorization configuration default radius
aaa route download 720
enable password 7 1236173C1B0F
!
username LAC1 password 7 030752180500
!
sgbp group dialbid
sgbp seed-bid offload
sgbp member LAC2 172.21.17.17
sgbp dial-bids
isdn switch-type basic-5ess
!

```

```
interface dialer 2
 ip address 172.19.2.3 255.255.128
 encapsulation ppp
 dialer remote-name group1
 dialer string 5551234
 dialer aaa

dialer pool 1
dialer-group 1
ppp authentication chap
.
.
.
end
```

Command Reference

This feature uses no new or modified commands. To see the command pages for the commands used with this feature, go to the *Cisco IOS Master Commands List*, Release 12.4, at <http://www.cisco.com/univercd/cc/td/doc/product/software/ios124/124mindx/124index.htm>.

Cisco and the Cisco Logo are trademarks of Cisco Systems, Inc. and/or its affiliates in the U.S. and other countries. A listing of Cisco's trademarks can be found at www.cisco.com/go/trademarks. Third party trademarks mentioned are the property of their respective owners. The use of the word partner does not imply a partnership relationship between Cisco and any other company. (1005R)

Any Internet Protocol (IP) addresses and phone numbers used in this document are not intended to be actual addresses and phone numbers. Any examples, command display output, network topology diagrams, and other figures included in the document are shown for illustrative purposes only. Any use of actual IP addresses or phone numbers in illustrative content is unintentional and coincidental.

© 2005–2009 CiscoOPDInc. All rights reserved.



Dial-Out DS0 Level Trunk Group

The Dial-Out DS0 Level Trunk Group feature directs an outbound synchronous or asynchronous call initiated by dial-on-demand routing (DDR) to use a specific channel of a T1 or E1 circuit.

Feature History for Dial-Out DS0 Level Trunk Group

Release	Modification
12.3(11)T	This feature was introduced.

Finding Support Information for Platforms and Cisco IOS Software Images

Use Cisco Feature Navigator to find information about platform support and Cisco IOS software image support. Access Cisco Feature Navigator at <http://www.cisco.com/go/fn>. You must have an account on Cisco.com. If you do not have an account or have forgotten your username or password, click **Cancel** at the login dialog box and follow the instructions that appear.

Contents

- [Prerequisites for Dial-Out DS0 Level Trunk Groups, page 1139](#)
- [Restrictions for Dial-Out DS0 Level Trunk Groups, page 1140](#)
- [Information About Dial-Out DS0 Level Trunk Groups, page 1140](#)
- [How to Configure Dial-Out DS0 Level Trunk Groups and Enable for DDR, page 1143](#)
- [Configuration Examples for Dial-Out DS0 Level Trunk Groups, page 1150](#)
- [Additional References, page 1154](#)
- [Command Reference, page 1155](#)

Prerequisites for Dial-Out DS0 Level Trunk Groups

You must be familiar with the Large-Scale Dial-Out feature before setting up and configuring dial-out trunk groups. See the “[Related Documents](#)” section on [page 1154](#) for information about large-scale dial-out.



The Dial-Out DS0 Level Trunk Group feature has been tested for use on only the Cisco AS5800 series access servers.

Restrictions for Dial-Out DS0 Level Trunk Groups

- Dial-out trunk groups must be configured on a network access server (NAS).
- Each trunk group can consist of digital service 0s (DS0s) from various DS1s with similar signaling, but with the restriction that a single DS0 can belong to only one trunk group.
- Dial-out trunk groups are not supported for voice applications.
- Some trunk group features are also not supported for DDR, although the software will allow them to be configured. The following list of features should not be configured for trunk groups that are targeted by DDR:
 - ISDN Two B Channel Transfer (TBCT) supplementary service
 - Telephony Gateway Registration Protocol (TGREP) configuration
 - Translation profiles
 - The **max-retry** trunk group configuration command
 - The **max-call** trunk group configuration command

Information About Dial-Out DS0 Level Trunk Groups

You need to be familiar with the following concepts to use the Dial-Out DS0 Level Trunk Group feature:

- [Dial-Out DS0 Level Trunk Group Outbound Call Control, page 1140](#)
- [Dial-Out DS0 Level Trunk Group Aggregation Requirement, page 1141](#)
- [Structure and Relationship of a Dial-Out DS0 Level Trunk Group, page 1141](#)

Dial-Out DS0 Level Trunk Group Outbound Call Control

In Cisco IOS software prior to Release 12.3(11)T, when a Cisco access gateway initiated a call (dial out triggered by interesting traffic), software controlled the DS1 link over which the call was placed for synchronous or asynchronous interfaces that used an appropriate dialer or a dial-out controller configuration, respectively.

Each DS1 has 24 DS0 channels framed together that can transfer data at 1.544 Mbps. DS0, also known as T1, is a digital interface that occurs as a single time slot on a DS1 and provides a 64-kbps, synchronous, full-duplex data channel.

The Dial-Out DS0 Level Trunk Group feature adds functionality that enhances outbound call routing by giving the user control over individual DS0s for outbound calls. Previous to this feature, outbound DS0s could not be configured separately from DS1s. The dial-out capabilities of a DS1 applied to all DS0s under that DS1.

Currently, the aggregation of DS1s into trunk groups is done using the Trunk Group Resource Manager (TGRM). The Dial-Out DS0 Level Trunk Group feature enables the TGRM subsystem to aggregate DS0s into trunk groups also. The dial-out capabilities of these DS0 trunk groups can then be configured directly at the DS0 level, using TGRM commands and by setting authentication, authorization, and accounting (AAA) attributes.

The configuration of DS0s for outbound calls enables the dial-on-demand feature to initiate outbound calls over a set of DS0s. DS0 is referred to as a B channel for ISDN Non-Facility Associated Signaling (NFAS) circuits and as a Circuit Identification Code (CIC) for Signaling System 7 (SS7).

Dial-out trunk groups are configured on an NAS. The feature provides the ability to direct an outbound synchronous or asynchronous call initiated by DDR to use a specific DS0 on one of the following circuits:

- PRI
- NFAS and SS7
- T1/CAS
- E1/R2

**Note**

Although the tasks and examples in this document focus on T1 trunks, this feature also applies to E1 circuits.

Dial-Out DS0 Level Trunk Group Aggregation Requirement

The Dial-Out DS0 Level Trunk Group feature requires a scalable framework that can aggregate individual DS0s and make the groups available per user on dial out. Dial-out scalability was addressed by the framework of the Large-Scale Dial-Out feature, with a limitation that it was not possible to designate certain DS0s for dial out. This limitation became apparent for dial out over asynchronous lines that required a time-division multiplexing (TDM) cross-connect between an asynchronous device and the DS0 over which the call was finally placed.

The requirement to aggregate DS1s into trunk groups was met by the TGRM feature. TGRM now groups DS0s from various DS1s (which can be either T1 or E1 circuits). These DS0 trunk groups can then be used by DDR to control dial-out call capabilities at the DS0 level.

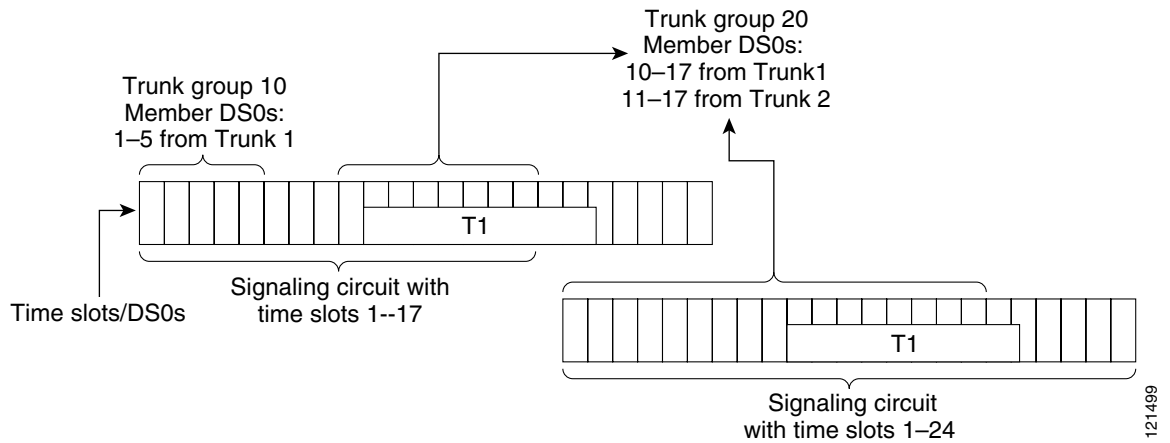
Dial-out trunk groups are actually an extension of the original TGRM framework, which had allowed a logical grouping of DS1s, but are enhanced in the Dial-Out DS0 Level Trunk Group feature to include individual DS0s from various DS1s. The main difference between the existing trunk groups and this enhancement is the manner by which trunk groups are used as targets by different applications. Voice applications use a trunk group that is a pool of DS1s, whereas DDR uses a dial-out trunk group that is a pool of DS0s or DS1s, or a mix of both.

The configuration by which DS0s are made part of a dial-out trunk group can be different for different signaling types. TGRM allocates the DS0s it manages using a hunt scheme such as round robin or least used. ISDN PRI interfaces can be configured to make the outgoing call selection in ascending or descending order. However, this configurable ISDN interface channel allocation scheme is overridden for DS0s that are managed by TGRM.

Structure and Relationship of a Dial-Out DS0 Level Trunk Group

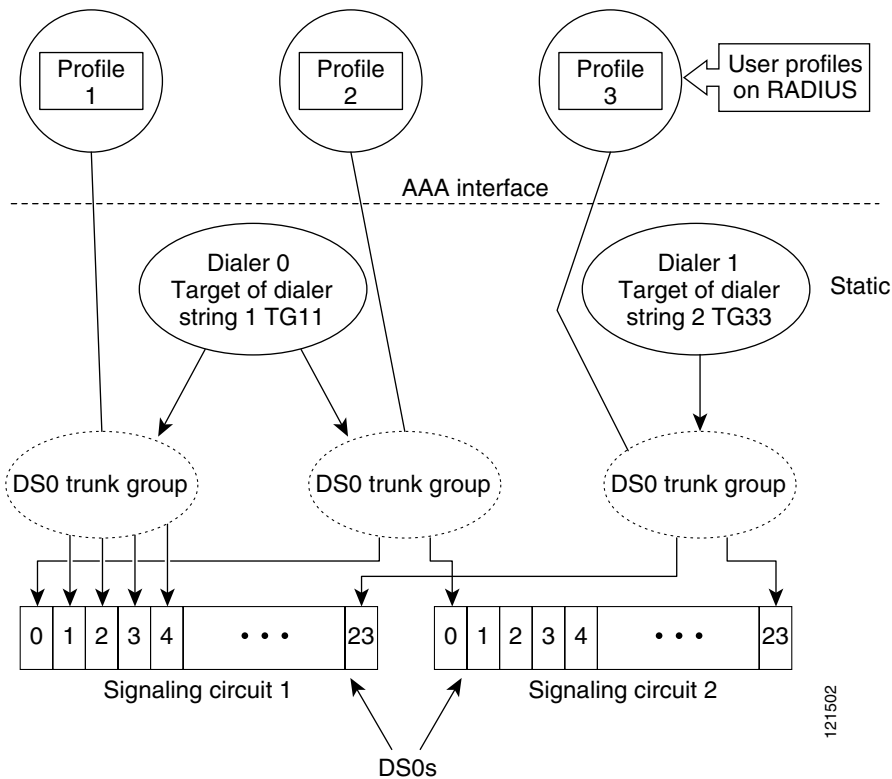
[Figure 1](#) shows the structure of a dial-out trunk group. Each trunk group can consist of DS0s from various signaling circuits, but with the restriction that a single DS0 can belong to only one trunk group.

Figure 1 *Dial-Out DS0 Level Trunk Group Structure*



Each dial-out trunk group is typically associated with one or more dial-out user profiles. [Figure 2](#) shows various DS0s aggregated into trunk groups, which are referenced by dial-out profiles that reside on a AAA server.

Figure 2 *Relationship of Dial-Out DS0 Level Trunk Groups to RADIUS Profiles*



The dial-out trunk group configuration must be explicitly defined on the NAS and cannot be set up using other external components such as AAA, because they represent static functional configurations or configurable system resources on the NAS.

How to Configure Dial-Out DS0 Level Trunk Groups and Enable for DDR

This section contains tasks for configuring dial-out trunk groups and enabling them on DDR. Your network configuration will determine which of the following tasks you require:

- [Configuring Dial-Out DS0 Level Trunk Groups on a DS1 Configured for CAS Signaling, page 1143](#) (required for CAS)
- [Configuring Dial-Out DS0 Level Trunk Groups on an NFAS Member, page 1144](#) (required for NFAS/SS7)
- [Configuring Dial-Out DS0 Level Trunk Groups on DS1 Configured for ISDN PRI, page 1146](#) (required for ISDN PRI)
- [Associating DS0 Trunk Groups with Dialer, page 1147](#) (required for static configurations)

Configuring Dial-Out DS0 Level Trunk Groups on a DS1 Configured for CAS Signaling

You can configure single or multiple dial-out trunk groups on CAS. The following task shows how to configure a single dial-out trunk group. Repeat steps 4 through 6 to configure additional DS0 groups.

SUMMARY STEPS

1. **enable**
2. **configure terminal**
3. **controller** {e1 | t1} *slot/port*
4. **ds0-group** *ds0-group-number timeslots timeslot-list*
5. **cas-custom** *channel*
6. **trunk-group** *name [timeslots timeslot-list [preference preference-number]]*
7. **exit**

DETAILED STEPS

	Command or Action	Purpose
Step 1	enable Example: Router> enable	Enables privileged EXEC mode. • Enter your password if prompted.
Step 2	configure terminal Example: Router# configure terminal	Enters global configuration mode.

	Command or Action	Purpose
Step 3	controller {e1 t1} slot/port Example: Router(config)# controller t1 6/1	Configures a T1 or E1 controller and enters controller configuration mode.
Step 4	ds0-group ds0-group-number timeslots timeslot-list Example: Router(config-controller)# ds0-group 4 timeslots 1-24	Defines channels for the CAS method by which the router connects to the PSTN.
Step 5	cas-custom channel Example: Router(config-controller)# cas-custom 4	Customizes signaling parameters for a particular E1 or T1 channel group on a channelized line.
Step 6	trunk-group name [timeslots timeslot-list [preference preference-number]] Example: Router(config-controller)# trunk-group label5 timeslots 1-24 preference 3	Directs an outbound synchronous or asynchronous call initiated by DDR to use specific DS0 channels of an ISDN circuit. <ul style="list-style-type: none"> • timeslots timeslot-list—Selectively adds one or more DS0s from a signaling circuit to a trunk group. The timeslot-list argument accepts DS0s numbered from 1 to 24 for T1 links, and from 1 to 15 and 17 to 31 for E1 links. • preference preference-number—Assigns a preference for DS0 members in a trunk group. Range is from 1 (highest preference) to 64 (lowest preference).
Step 7	exit Example: Router(config-controller)# exit	Exits the current configuration mode.

Configuring Dial-Out DS0 Level Trunk Groups on an NFAS Member

When NFAS or SS7 is used, signaling can take place over a circuit different than the one over which the data is being transported. The dial-out trunk group configuration is done in controller configuration mode. If a trunk groups is configured under an NFAS primary serial interface, all NFAS group interface member DS0s are added into the trunk groups. The NFAS primary serial interface will not have the time slot option enabled under its configuration mode.

SUMMARY STEPS

1. **enable**
2. **configure terminal**
3. **controller** {e1 | t1} slot/port
4. **pri-group timeslots** timeslot-range **nfas_d** none **nfas_int** number **nfas_group** number
5. **trunk-group** name [timeslots timeslot-list [preference preference-number]]

6. exit

DETAILED STEPS

	Command or Action	Purpose
Step 1	<p>enable</p> <p>Example: Router> enable</p>	<p>Enables privileged EXEC mode.</p> <ul style="list-style-type: none"> Enter your password if prompted.
Step 2	<p>configure terminal</p> <p>Example: Router# configure terminal</p>	<p>Enters global configuration mode.</p>
Step 3	<p>controller {e1 t1} slot/port</p> <p>Example: Router(config)# controller t1 6/1</p>	<p>Configures a T1 or E1 controller and enters controller configuration mode.</p>
Step 4	<p>pri-group timeslots timeslot-range nfas_d none nfas_int number nfas_group number</p> <p>Example: Router(config-controller)# pri-group timeslots 1-24 nfas_d none nfas_int 2 nfas_group 0</p>	<p>Specifies an ISDN PRI group on a channelized T1 controller and releases the ISDN PRI signaling time slots.</p> <ul style="list-style-type: none"> <i>timeslot-range</i>—A value or range of values for time slots on a T1 or E1 controller that consist of an ISDN PRI group. Use a hyphen to indicate a range. <p>Note Values and groups of time slot range values separated by commas (1,3-5,8-23, for example) are accepted.</p> <ul style="list-style-type: none"> nfas_d none—The D-channel time slot is used as an additional B channel. nfas_int number—Specifies the provisioned NFAS interface as a value; value is a number from 0 to 8. nfas_group number—Specifies the NFAS group.
Step 5	<p>trunk-group name [timeslots timeslot-list [preference preference-number]]</p> <p>Example: Router(config-controller)# trunk-group label5 timeslots 1-24 preference 3</p>	<p>Directs an outbound synchronous or asynchronous call initiated by DDR to use specific DS0 channels of an ISDN circuit.</p> <ul style="list-style-type: none"> timeslots timeslot-list—Selectively adds one or more DS0s from a signaling circuit to a trunk group. The <i>timeslot-list</i> argument accepts DS0s numbered from 1 to 24 for T1 links, and from 1 to 15 and 17 to 31 for E1 links. preference preference-number—Assigns a preference for DS0 members in a trunk group. Range is from 1 (highest preference) to 64 (lowest preference).
Step 6	<p>exit</p> <p>Example: Router(config-controller)# exit</p>	<p>Exits the current configuration mode.</p>

Configuring Dial-Out DS0 Level Trunk Groups on DS1 Configured for ISDN PRI

The task in this section configures a dial-out trunk group on a PRI.

SUMMARY STEPS

1. **enable**
2. **configure terminal**
3. **controller** {e1 | t1} *slot/port*
4. **framing** *framing-type*
5. **linecode** *linecode-type*
6. **pri-group timeslots** *timeslot-range*
7. **trunk-group** *name* [**timeslots** *timeslot-list* [**preference** *preference-number*]]
8. **exit**

DETAILED STEPS

	Command or Action	Purpose
Step 1	enable Example: Router> enable	Enables privileged EXEC mode. <ul style="list-style-type: none"> • Enter your password if prompted.
Step 2	configure terminal Example: Router# configure terminal	Enters global configuration mode.
Step 3	controller {e1 t1} <i>slot/port</i> Example: Router(config)# controller t1 6/1	Configures an E1 or T1 controller and enters controller configuration mode.
Step 4	framing <i>framing-type</i> Example: Router(config-controller)# framing esf	Selects the frame type for the data line. <ul style="list-style-type: none"> • Framing type choices are as follows: <ul style="list-style-type: none"> – sf—Specifies super frame as the T1 frame type. This is the default. – esf—Specifies extended super frame as the T1 frame type. – crc4—Specifies CRC4 frame as the E1 frame type. This is the default for Australia. – no-crc4—Specifies no CRC4 frame as the E1 frame type. – australia (Optional)—Specifies the E1 frame type used in Australia.

	Command or Action	Purpose
Step 5	<p>linecode <i>linecode-type</i></p> <p>Example: Router(config-controller)# linecode b8zs</p>	<p>Selects the line-code type for the data line.</p> <ul style="list-style-type: none"> Line code type choices are as follows: <ul style="list-style-type: none"> ami—Specifies alternate mark inversion (AMI) as the line-code type. Valid for T1 or E1 controllers. This is the default for T1 lines. b8zs—Specifies B8ZS as the line-code type. Valid for T1 controller only. hdb3—Specifies high density bipolar 3 (HDB3) as the line-code type. Valid for E1 controller only. This is the default for E1 lines.
Step 6	<p>pri-group timeslots <i>timeslot-range</i></p> <p>Example: Router(config-controller)# pri-group timeslots 3</p>	<p>Specifies an ISDN PRI group on a channelized T1 controller and releases the ISDN PRI signaling time slots.</p> <ul style="list-style-type: none"> <i>timeslot-range</i>—A value or range of values for time slots on a T1 or E1 controller that consists of an ISDN PRI group. Use a hyphen to indicate a range. <p>Note Values and groups of time slot range values separated by commas (1,3-5,8-23, for example) are also accepted.</p>
Step 7	<p>trunk-group <i>name</i> [timeslots <i>timeslot-list</i> [preference <i>preference-number</i>]]</p> <p>Example: Router(config-controller)# trunk-group 15 timeslots 1,21-22 preference 1</p>	<p>Directs an outbound synchronous or asynchronous call initiated by DDR to use specific DS0 channels of an ISDN circuit.</p> <ul style="list-style-type: none"> timeslots <i>timeslot-list</i>—Selectively adds one or more DS0s from a signaling circuit to a trunk group. The <i>timeslot-list</i> argument accepts DS0s numbered from 1 to 24 for T1 links, and from 1 to 15 and 17 to 31 for E1 links. preference <i>preference-number</i>—Assigns a preference for DS0 members in a trunk group. Range is from 1 (highest preference) to 64 (lowest preference).
Step 8	<p>exit</p> <p>Example: Router(config-controller)# exit</p>	<p>Exits the current configuration mode.</p>

Associating DS0 Trunk Groups with Dialer

The large-scale dial-out framework that governs dial-out trunk groups enables the provisioning of dial-out configurations on a AAA server. A trunk group label can also be configured as part of a **dialer string** command, or the large-scale dial-out framework can be used to download the trunk group identifier along with the dialer string. The task in this section shows how to set up a static dial-out configuration for DDR over DS0 trunk groups, and is done by configuring a dialer interface, setting up a profile on the AAA server, and applying a static dial-out trunk configuration on an NAS.

SUMMARY STEPS

1. **enable**
2. **configure terminal**
3. **controller** {*e1* | *t1*} *slot/port*
4. **framing** *framing-type*
5. **linecode** *linecode-type*
6. **pri-group timeslots** *timeslot-range*
7. **trunk-group** *name* [*timeslots timeslot-list* [**preference** *preference-number*]]
8. **exit**
9. **interface dialer** *dialer-rotary-group-number*
10. **dialer string** *dial-string* **trunkgroup** *trunkgroup-label*
11. **dialer aaa** [*suffix string*] [**password** *string*]
12. **exit**

DETAILED STEPS

	Command or Action	Purpose
Step 1	enable Example: Router> enable	Enables privileged EXEC mode. <ul style="list-style-type: none"> • Enter your password if prompted.
Step 2	configure terminal Example: Router# configure terminal	Enters global configuration mode.
Step 3	controller { <i>e1</i> <i>t1</i> } <i>slot/port</i> Example: Router(config)# controller t1 6/1	Configures an E1 or T1 controller and enters controller configuration mode.
Step 4	framing <i>framing-type</i> Example: Router(config-controller)# framing esf	Selects the frame type for the data line. <ul style="list-style-type: none"> • Framing type choices are as follows: <ul style="list-style-type: none"> – sf—Specifies super frame as the T1 frame type. This is the default. – esf—Specifies extended super frame as the T1 frame type. – crc4—Specifies CRC4 frame as the E1 frame type. This is the default for Australia. – no-crc4—Specifies no CRC4 frame as the E1 frame type. – australia (Optional)—Specifies the E1 frame type used in Australia.

	Command or Action	Purpose
Step 5	<p>linecode <i>linecode-type</i></p> <p>Example: Router(config-controller)# linecode b8zs</p>	<p>Selects the line-code type for the data line.</p> <ul style="list-style-type: none"> Line code type choices are as follows: <ul style="list-style-type: none"> ami—Specifies AMI as the line-code type. Valid for T1 or E1 controllers. This is the default for T1 lines. b8zs—Specifies B8ZS as the line-code type. Valid for T1 controller only. hdb3—Specifies high density bipolar 3 (HDB3) as the line-code type. Valid for E1 controller only. This is the default for E1 lines.
Step 6	<p>pri-group timeslots <i>timeslot-range</i></p> <p>Example: Router(config-controller)# pri-group timeslots 3</p>	<p>Specifies an ISDN PRI group on a channelized T1 controller and releases the ISDN PRI signaling time slots.</p> <ul style="list-style-type: none"> <i>timeslot-range</i>—A value or range of values for time slots on a T1 or E1 controller that consists of an ISDN PRI group. Use a hyphen to indicate a range. <p>Note Values and groups of time slot ranges separated by commas (1,3-5,8-23, for example) are also accepted.</p>
Step 7	<p>trunk-group name [timeslots <i>timeslot-list</i> [preference <i>preference-number</i>]]</p> <p>Example: Router(config-controller)# trunk-group 15 timeslots 1,21-22 preference 1</p>	<p>Directs an outbound synchronous or asynchronous call initiated by DDR to use specific DS0 channels of an ISDN circuit.</p> <ul style="list-style-type: none"> timeslots <i>timeslot-list</i>—Selectively adds one or more DS0s from a signaling circuit to a trunk group. The <i>timeslot-list</i> argument accepts DS0s numbered from 1 to 24 for T1 links, and from 1 to 15 and 17 to 31 for E1 links. preference <i>preference-number</i>—Assigns a preference for DS0 members in a trunk group. Range is from 1 (highest preference) to 64 (lowest preference). <p>Note Multiple trunk-group timeslot command statements can be made in static configurations.</p>
Step 8	<p>exit</p> <p>Example: Router(config-controller)# exit</p>	<p>Exits the current configuration mode.</p>
Step 9	<p>interface dialer <i>dialer-rotary-group-number</i></p> <p>Example: Router(config)# interface dialer 0</p>	<p>Defines a dialer rotary group and enters interface configuration mode.</p>
Step 10	<p>dialer string <i>dial-string</i> trunkgroup <i>trunkgroup-label</i></p> <p>Example: Router(config-if)# dialer string rotary1 trunkgroup trunk1</p>	<p>Specifies the telephone number to be dialed and a dial-out trunk group name for a static configuration on an NAS.</p>

	Command or Action	Purpose
Step 11	dialer aaa [suffix string] [password string] Example: Router(config-if)# dialer aaa suffix @ciscoDDR password cisco	Allows a dialer to access the AAA server for dialing information.
Step 12	exit Example: Router(config-if)# exit	Exits the current configuration mode.

What to Do Next

Use the following dial-out trunk group statements in the profile file that sets up the AAA server to apply a static dial-out DS0 trunk configuration on an NAS.

RADIUS VSA

```
trunkgroup = trunk-group-label
```

Example:

```
trunkgroup = trunk1
```

AAA Cisco-AVPair

```
Cisco-AVPair = "outbound:trunkgroup=trunk-group-label"
```

Example:

```
dialout-out Password="cisco"
    Cisco-AVPair = "outbound:trunkgroup=16"
    .
    .
    .
```



Note

The trunk group specified in the RADIUS vendor-specific attribute (VSA) must match the name defined in the trunk group configuration.

Configuration Examples for Dial-Out DS0 Level Trunk Groups

This section contains the following configuration examples:

- [Configure a Dial-Out DS0 Level Trunk Group on a DS1 Configured for CAS: Example, page 1151](#)
- [Configure Multiple Dial-Out DS0 Level Trunk Groups on a PRI Trunk: Example, page 1151](#)
- [Configure Dial-Out DS0 Level Trunk Groups on an NFAS Group: Example, page 1151](#)
- [Configure Dial-Out DS0 Level Trunk Groups in a Dialer Rotary Group: Examples, page 1152](#)
- [Associating a DS0 Trunk Group with a Dialer for DDR: Example, page 1153](#)

Configure a Dial-Out DS0 Level Trunk Group on a DS1 Configured for CAS: Example

The following example shows how to configure a single DS0 group on a CAS:

```
controller t1 0
 ds0-group 2 timeslots 1-24
 cas-custom 2
 trunk-group label3 timeslots 1-12
 trunk-group label4 timeslots 13-24 preference 2

controller t1 2
 ds0-group 4 timeslots 1-24
 cas-custom 4
 trunk-group label5 timeslots 1-24 preference
```

Configure Multiple Dial-Out DS0 Level Trunk Groups on a PRI Trunk: Example

The following example shows how to configure B channels from a PRI channel into a DS0 trunk group:

```
controller T1 0
 pri-group timeslots 1-24
 trunk-group L1 timeslots 1-5 preference 10
!
```

The following example shows how to include all the B channels of the PRI channel into a trunk group:

```
interface serial 0:23
 trunk-group L2 20
```



Note

The trunk group configuration under the PRI channel and the controller are mutually exclusive.

Configure Dial-Out DS0 Level Trunk Groups on an NFAS Group: Example

The following example shows how to configure NFAS/SS7 circuits. With these circuits, signaling can take place over a circuit different than the one over which the data is being transported. The DS0 dial-out trunk group configuration is done in controller configuration mode. Because the trunk group is configured under the NFAS primary serial interface, all the NFAS group interface member DS0s are added into the trunk group. The NFAS primary serial interface will *not* have the **timeslots** keyword enabled under its configuration mode. The **timeslots** option is not available in the serial interface configuration mode, because a serial interface may represent an NFAS serial interface.

```
controller T1 0
 pri-group timeslots 1-24 nfas_d primary nfas_int 0 nfas_group 0
 trunk-group L1 timeslots 1-5 preference 1
 trunk-group L2 timeslots 12-14 preference 2
!
controller T1 1
 pri-group timeslots 1-24 nfas_d backup nfas_int 1 nfas_group 0
 trunk-group L3 timeslots 1-5
 trunk-group L4 timeslots 12-14 preference 4
!
controller T1 3
 pri-group timeslots 1-24 nfas_d none nfas_int 2 nfas_group 0
 trunk-group L5 timeslots 7,9,11
 trunk-group L6 timeslots 2,4,6,14-16 preference 6
```

The following example shows how to include all the B channels of the PRI channel into a trunk group:

```
interface serial 0:23
 trunk-group trunk5 20
```


Note

The trunk group configuration under the NFAS group member and the corresponding NFAS member serial interface are mutually exclusive.

Configure Dial-Out DS0 Level Trunk Groups in a Dialer Rotary Group: Examples

In the following examples, dial-out trunk groups 15 and 16 have DS0s from PRI interfaces 0:23 and 6:23. These interfaces are also rotary members of dialer interface 0. The AAA profile named dialout-out refers to trunk group 16, implying that a DS0 from trunk group 16 will be assigned for the outgoing call for this user using the dialout-out profile.

AAA Server Configuration

```
dialout-out Password="cisco"
 Cisco-AVPair = "outbound:trunkgroup=16"
 Service-Type = Outbound,
 Cisco-AVPair = "outbound:addr*10.121.94.254",
 Cisco-AVPair = "Outbound:dial-number=5550101",

RAS-5400-1 Password="cisco"
 Service-Type = Outbound,
 Framed-Route="10.121.94.254/32 Dialer0 200 name dialout"
 Framed-Route="10.121.94.0/24 10.121.94.254 200"
```

Dial-Out DS0 Level Trunk Group Configuration on the NAS

```
controller T1 0
 pri-group timeslots 1-24
 trunk-group 16 timeslots 1,21-22 preference 1
 trunk-group 15 timeslots 18-19
.
.
.
interface serial 0:23
 dialer rotary-group 0

controller T1 6
 pri-group timeslots 1-24
 trunk-group 16 timeslots 21-22
 trunk-group 15 timeslots 18-19 preference 2
.
.
.
interface serial 6:23
 dialer rotary-group 0

interface dialer 0
 dialer aaa
```

In the following examples, trunk group 15 has member DS0s from PRI interfaces 0:23, 6:23, and 7:23. PRI interfaces 6:23, and 7:23 are assigned to the same rotary group. When an outgoing call is placed through interface dialer 0, TGRM could return a DS0 that belongs to PRI interfaces 6:23, 7:23, or 0:23. But because PRI interfaces 0:23 are not rotary members of interface dialer 0, the call would fail.

Incorrect AAA Server Configuration

```
dialout-out Password="cisco"
  Cisco-AVPair = "outbound:trunkgroup=16"
  Service-Type = Outbound,
  Cisco-AVPair = "outbound:addr*10.121.94.254",
  Cisco-AVPair = "Outbound:dial-number=5550101",

RAS-5400-1 Password="cisco"
  Service-Type = Outbound,
  Framed-Route="10.121.94.254/32 Dialer0 200 name dialout"
  Framed-Route="10.121.94.0/24 10.121.94.254 200"
.
.
.
```

Incorrect Static Dial-Out DS0 Level Trunk Group Configuration on the NAS

```
controller t1 0
  pri-group timeslots 1-24
  trunk-group 15 timeslots 1,21-22 preference 1
  trunk-group 16 timeslots 18-19
interface serial 0:23
  dialer rotary-group 0

controller t1 6
  pri-group timeslots 1-24
  trunk-group 15 timeslots 21-22
  trunk-group 16 timeslots 18-19 preference 2
interface serial 6:23
  dialer rotary-group 1

controller t1 7
  pri-group timeslots 1-24
  trunk-group 15 timeslots 18-19
interface serial 7:23
  dialer rotary-group 1

interface dialer 0
  dialer aaa
```

Associating a DS0 Trunk Group with a Dialer for DDR: Example

The following example shows the configurations needed to apply a static dial-out trunk group:

Dialer Interface Configuration:

```
interface dialer 0
  dialer string 5550101 trunkgroup 16
```

Static Dial-Out Trunk Group Configuration on the NAS

```
controller T1 6/1
  framing esf
  linecode b8zs
  pri-group timeslots 1-24
```

```
trunk-group 16 timeslots 1,21-22 preference 1
trunk-group 15 timeslots 18-19
```

Additional References

The following sections provide references related to dial-out trunk groups.

Related Documents

Related Topic	Document Title
Large-scale dial-out	“Configuring Large-Scale Dial-Out” chapter in the <i>Cisco IOS Dial Technologies Configuration Guide, Release 12.3</i>
ISDN signaling circuits	“Signaling Configuration” part in the <i>Cisco IOS Dial Technologies Configuration Guide, Release 12.3</i>
ISDN signaling circuit and large-scale dial-out commands, including syntax and examples	Cisco IOS Dial Technologies Command Reference, Release 12.3

Standards

Standards	Title
None	—

MIBs

MIBs	MIBs Link
None	To locate and download MIBs for selected platforms, Cisco IOS releases, and feature sets, use Cisco MIB Locator found at the following URL: http://www.cisco.com/go/mibs

RFCs

RFCs	Title
None	—

Technical Assistance

Description	Link
<p>The Cisco Support website provides extensive online resources, including documentation and tools for troubleshooting and resolving technical issues with Cisco products and technologies.</p> <p>To receive security and technical information about your products, you can subscribe to various services, such as the Product Alert Tool (accessed from Field Notices), the Cisco Technical Services Newsletter, and Really Simple Syndication (RSS) Feeds.</p> <p>Access to most tools on the Cisco Support website requires a Cisco.com user ID and password.</p>	<p>http://www.cisco.com/techsupport</p>

Command Reference

The following commands are introduced or modified in the feature or features documented in this module. For information about these commands, see the *Cisco IOS Dial Technologies Command Reference* at http://www.cisco.com/en/US/docs/ios/dial/command/reference/dia_book.html. For information about all Cisco IOS commands, go to the Command Lookup Tool at <http://tools.cisco.com/Support/CLILookup> or to the *Cisco IOS Master Commands List*.

New Commands

- **dialer string trunkgroup**
- **trunk-group (timeslots)**

Modified Command

- **show trunk group**

Cisco and the Cisco Logo are trademarks of Cisco Systems, Inc. and/or its affiliates in the U.S. and other countries. A listing of Cisco's trademarks can be found at www.cisco.com/go/trademarks. Third party trademarks mentioned are the property of their respective owners. The use of the word partner does not imply a partnership relationship between Cisco and any other company. (1005R)

Any Internet Protocol (IP) addresses and phone numbers used in this document are not intended to be actual addresses and phone numbers. Any examples, command display output, network topology diagrams, and other figures included in the document are shown for illustrative purposes only. Any use of actual IP addresses or phone numbers in illustrative content is unintentional and coincidental.

© 2007–2009 Cisco Systems, Inc. All rights reserved.



L2TP Large-Scale Dial-Out

Feature History

Release	Modification
12.2(4)T	This feature was introduced.
12.2(11)T	This feature was implemented on Cisco access server platforms.

This document describes the L2TP Large-Scale Dial-Out feature. It includes the following sections:

- [Feature Overview, page 1157](#)
- [Supported Platforms, page 1159](#)
- [Supported Standards, MIBs, and RFCs, page 1160](#)
- [Configuration Tasks, page 1160](#)
- [Monitoring and Maintaining L2TP Large-Scale Dial-Out, page 1167](#)
- [Configuration Examples, page 1168](#)
- [Command Reference, page 1170](#)

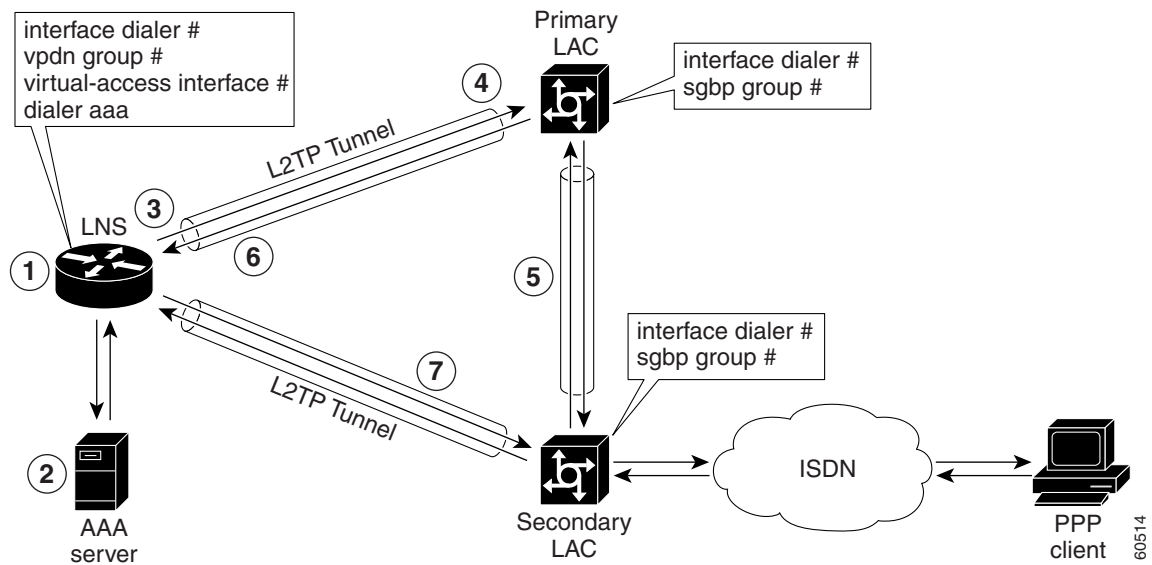
Feature Overview

The Asynchronous Line Monitoring feature enables the router to dial multiple Layer 2 Tunnel Protocol (L2TP) access concentrators (LACs) from a single L2TP network server (LNS). The LACs are signaled through the LNS and use L2TP to establish the dial sessions. User-defined profiles can be configured on an authentication, authorization, and accounting (AAA) server and retrieved by the LNS when dial-out occurs. The Asynchronous Line Monitoring feature also supports multiple LACs bound into one stack group, call traffic load balancing, and outbound call congestion management.

[Figure 1](#) provides an example of L2TP large-scale dial-out session startup. Each part of the process is numbered and described in text following the figure.



Figure 1 Sample Scenario L2TP Large-Scale Dial-Out Session



1. The IP packets arrive at the LNS and are forwarded to the dialer interface by the routing protocol. (A virtual access interface has not been created yet.)
2. A dialer session is created and placed in a pending state while the dialer interface sends a Dial Out Request message to the AAA server requesting the user profile. The AAA server sends the user profile, and the LNS builds a dynamic map based on the reply.
3. The dialer interface looks for its dial resources and finds the virtual private dialup network (VPDN) group. The dialer interface then issues a dial call request to the VPDN group, which creates a virtual access interface. The virtual access interface becomes a member of a rotary group.
4. If there is no existing L2TP tunnel between the LNS and the primary LAC, the LNS would establish one; otherwise, it uses the existing tunnel. The LNS sends an Outgoing Call ReQuest (OCRQ) message, inside of which is the dynamic dialer map, to the primary LAC.
5. Upon receiving the OCRQ message, the primary LAC determines whether it is congested. If the primary LAC is congested, it sends a Stack Group Bidding Protocol (SGBP) Discover message through a new tunnel to the secondary LAC in the scenario depicted in Figure 1, but it could send the message to any other LAC configured in the SGBP stack group.

After the secondary LAC receives the SGBP Discover message from the LNS, it responds with an SGBP Offer message describing available resources.

6. If neither LAC has resources to dial out, the primary LAC would send a Call Disconnect Notification (CDN) message to the LNS. The LNS would then tear down the tunnel.

If the secondary LAC has more resources, the primary LAC can choose to dial through the secondary LAC. The primary LAC sends a CDN message to the LNS with error code 7, which means "Try another" as defined in RFC 2661. Inside this message, the LNS learns that its dial-out request should be redirected to the secondary LAC, and the LNS clears the session to the primary LAC.

7. The LNS creates a new tunnel to the secondary LAC if one does not exist. The dial-out LAC creates a VPDN session and sets it in a pending state. It then places a call to the PPP client. Once the call is connected, the LAC determines to which pending VPDN session the connected interface belongs and binds the connected interface with the session. The secondary LAC sends an Outgoing Call

Connected (OCCN) message to the LNS. The LNS determines for which pending virtual access interface and VPDN session this OCCN is meant, and then the LNS brings up the virtual access interface.

Benefits

Large-Scale Dial-Out Integrated with L2TP

Before Cisco IOS Release 12.2(4)T, L2TP required that requests for tunneled dial-out calls be from a single LNS to a single LAC, and that configurations be available on the local server. The Asynchronous Line Monitoring feature introduced in Cisco IOS Release 12.2(4)T allows dialing multiple LACs from a single LNS. The LACs are signaled through the LNS using L2TP to establish the dial sessions. User-defined profiles can also be configured on a AAA server and retrieved by the LNS when dial-out occurs.

Enhanced Dial Management

The Asynchronous Line Monitoring feature also provides the following benefits:

- Multiple LACs bound into one stack group
- Call traffic load balancing
- Outbound call congestion management

Related Features and Technologies

L2TP, VPDNs, and large-scale dial-out are described in the *Cisco IOS Dial Technologies Configuration Guide*, Release 12.2. Refer to the chapter “Configuring Virtual Private Networks” in the part “Virtual Templates, Profiles, and Networks,” and the chapter “Configuring Large-Scale Dial-Out” in the part “Dial Access Specialized Features.”

Supported Platforms

See the next section for information about Feature Navigator and how to use this tool to determine the platforms and software images in which this feature is available.

Platform Support Through Feature Navigator

Cisco IOS software is packaged in feature sets that support specific platforms. To get updated information regarding platform support for this feature, access Feature Navigator. Feature Navigator dynamically updates the list of supported platforms as new platform support is added for the feature.

Feature Navigator is a web-based tool that enables you to quickly determine which Cisco IOS software images support a specific set of features and which features are supported in a specific Cisco IOS image.

To access Feature Navigator, you must have an account on Cisco.com. If you have forgotten or lost your account information, send a blank e-mail to cco-locksmith@cisco.com. An automatic check will verify that your e-mail address is registered with Cisco.com. If the check is successful, account details with a new random password will be e-mailed to you. Qualified users can establish an account on Cisco.com by following the directions at <http://www.cisco.com/register>.

Feature Navigator is updated when major Cisco IOS software releases and technology releases occur. As of May 2001, Feature Navigator supports M, T, E, S, and ST releases. You can access Feature Navigator at the following URL:

<http://www.cisco.com/go/fn>

Supported Standards, MIBs, and RFCs

Standards

None

MIBs

None

To obtain lists of supported MIBs by platform and Cisco IOS release, and to download MIB modules, go to the Cisco MIB website on Cisco.com at the following URL:

<http://www.cisco.com/public/sw-center/netmgmt/cmtk/mibs.shtml>

RFCs

- RFC 2661, *Layer Two Tunneling Protocol (L2TP)*

Configuration Tasks

See the following sections for configuration tasks for the Asynchronous Line Monitoring feature. Each task in the list is identified as either required or optional:

- [Configuring the LNS to Request Dial-Out](#) (required)
- [Configuring a LAC to Accept Dial-Out](#) (required)

Configuring the LNS to Request Dial-Out

Virtual profiles depend on PPP authentication; therefore the LNS must authenticate the connection to use virtual profiles.

You must configure AAA network security services on the LNS. For more information about AAA, refer to the chapter “AAA Overview” in the *Cisco IOS Security Configuration Guide*, Release 12.2. The *Cisco IOS Security Command Reference*, Release 12.2, describes the commands to configure AAA.

You also need to configure your LNS to communicate with the applicable security server, either a TACACS+ or RADIUS daemon.

If you are using RADIUS and Ascend attributes, use the **radius-server host non-standard** global configuration command to enable your Cisco router, acting as a network access server, to recognize that the RADIUS security server is using a vendor-proprietary version of RADIUS. Use the **radius-server key** global configuration command to specify the shared secret text string used between your Cisco router and the RADIUS server. For more information, refer to the chapter “Configuring RADIUS” in the *Cisco IOS Security Configuration Guide*, Release 12.2.

If you are using TACACS+, use the **tacacs-server host** global configuration command to specify the IP address of one or more TACACS+ daemons. Use the **tacacs-server key** global configuration command to specify the shared secret text string used between your Cisco router and the TACACS+ daemon. For more information, see the *Cisco IOS Security Configuration Guide*, Release 12.2.

To configure the LNS to request dial-out tunneled PPP connections from a LAC, use the following commands beginning in global configuration mode:

	Command	Purpose
Step 1	Router(config)# vpdn enable	Enables VPDN and directs the router to look for tunnel definitions on a remote authorization server.
Step 2	Router(config)# vpdn group 1	Creates VPDN group 1 and enters VPDN group configuration mode.
Step 3	Router(config- <i>vpdn</i>)# request-dialout	Enters VPDN request-dialout group configuration mode and enables the tunnel server to send L2TP dial-out requests.
Step 4	Router(config- <i>vpdn-req-ou</i>)# protocol l2tp	Specifies L2TP as the tunneling protocol. Note L2TP is the only protocol that supports dial-out.
Step 5	Router(config- <i>vpdn-req-ou</i>)# rotary-group <i>group-number</i>	Specifies the dialer rotary group that will be used to dial out. Note You can configure only one dialer rotary group. Attempting to configure a second dialer resource will remove the first from the configuration.
Step 6	Router(config- <i>vpdn-req-ou</i>)# virtual-template <i>template-number</i>	Specifies the number of the virtual template that will be used to clone the virtual access interface.
Step 7	Router(config- <i>vpdn-req-ou</i>)# exit	Returns to VPDN group configuration mode.
Step 8	Router(config- <i>vpdn</i>)# initiate-to ip <i>ip-address</i>	Specifies the IP address that will be dialed out. This is the IP address of the LAC. Note The limit and priority keywords are not available for VPDN dial-out.
Step 9	Router(config- <i>vpdn</i>)# local name <i>hostname</i>	Specifies that the L2TP tunnel will identify itself with this host name.
Step 10	Router(config- <i>vpdn</i>)# exit	Returns to global configuration mode.
Step 11	Router(config)# virtual-template <i>template-number</i>	Specifies the number of the virtual template that will be used to clone the virtual access interface. Enters interface configuration mode so that you can set the configuration parameters that you want applied to virtual access interfaces.
Step 12	Router(config-if)# interface virtual-template <i>number</i>	Creates a virtual template interface that can be configured and applied dynamically in creating virtual access interfaces.

	Command	Purpose
Step 13	Router(config-if)# no ip directed-broadcast	Disables the translation of a directed broadcast to physical broadcasts.
Step 14	Router(config-if)# encapsulation ppp	Sets the PPP encapsulation method on the interface.
Step 15	Router(config-if)# ppp multilink	Enables Multilink PPP (MLP) on an interface.
Step 16	Router(config-if)# exit	Returns to global configuration mode.
Step 17	Router(config)# aaa new-model	Enables AAA access control .
Step 18	Router(config)# aaa authentication arguments	Specifies one or more AAA authentication methods for use on serial interfaces that are running PPP. Refer to the Cisco IOS security guides for specific authentication arguments for your network security configuration.
Step 19	Router(config)# aaa authorization arguments	Sets parameters that restrict user access to a network. Refer to the Cisco IOS security guides for specific authentication arguments for your network security configuration.
Step 20	Router(config)# interface dialer 1	Enters interface configuration mode for dialer interface 1.
Step 21	Router(config-if)# dialer in-band	Specifies that DDR is to be supported.
Step 22	Router(config-if)# dialer vpdn	Enables a dialer profile to use L2TP dial-out.
Step 23	Router(config-if)# dialer aaa [suffix suffix password password]	Allows a dialer to access the AAA server for dialing information or, optionally, specifies a suffix and nondefault password for authentication.
Step 24	Router(config-if)# no ip directed-broadcast	Disables the translation of a directed broadcast to physical broadcasts.
Step 25	Router(config-if)# dialer-group group-number	Controls access by configuring an interface to belong to a specific dialing group.
Step 26	Router(config-if)# dialer-list dialer-group protocol protocol-name {permit deny list access-list-number access-group}	Defines a DDR dialer list to control dialing by protocol or by a combination of a protocol and a previously defined access list.
Step 27	Router(config-if)# encapsulation ppp	Sets the PPP encapsulation method on the dialer interface.
Step 28	Router(config-if)# ppp multilink	Enables MLP on an interface.

The MLP feature provides load-balancing functionality over multiple WAN links and offers load calculation on both inbound and outbound traffic. Refer to the part “PPP Configuration” and the chapter “Configuring Media-Independent PPP and Multilink PPP” in the *Cisco IOS Dial Technologies Configuration Guide*, Release 12.2, for more information.

See the configuration examples later in this document for additional commands that may be configured on the LAC.

Configuring a LAC to Accept Dial-Out

You must configure SGBP to allow a primary LAC that is congested or otherwise unable to dial out to select an alternate LAC to dial out. Configure SGBP using the **sgbp group** and **sgbp member** global configuration commands before enabling the stack group to bid for dial-out connection. Configuring SGBP is described in the chapter “Configuring Multichassis Multilink PPP” in the *Cisco IOS Dial Technologies Configuration Guide*, Release 12.2. The *Cisco IOS Dial Technologies Command Reference*, Release 12.2, describes the commands to configure a stack group.

Additionally, the information about configuring network security in the section “[Configuring the LNS to Request Dial-Out](#)” of this document also applies to configuring the LAC.

To configure a LAC to accept tunneled dial-out connections from the LNS, use the following commands beginning in global configuration mode:

	Command	Purpose
Step 1	Router(config)# vpdn enable	Enables VPDN and directs the router to look for tunnel definitions on a remote authorization server.
Step 2	Router(config)# vpdn group 1	Creates VPDN group 1 and enters VPDN group configuration mode.
Step 3	Router(config-vpdn)# accept-dialout	Enters VPDN accept-dialout group configuration mode and enables the NAS to accept L2TP dial-out requests.
Step 4	Router(config-vpdn-acc-ou)# protocol l2tp	Specifies L2TP as the tunneling protocol. Note L2TP is the only protocol that supports dial-out.
Step 5	Router(config-vpdn-acc-ou)# dialer dialer-interface	Specifies the dialer that is used to dial out to the client.
Step 6	Router(config-vpdn-acc-ou)# exit	Returns to VPDN group configuration mode.
Step 7	Router(config-vpdn)# initiate-to ip ip-address [limit limit-number] [priority priority-number]	Specifies the IP address that will be tunneled to.
Step 8	Router(config-vpdn)# local name hostname	Specifies that the L2TP tunnel will identify itself with this host name.
Step 9	Router(config-vpdn)# exit	Returns to global configuration mode.
Step 10	Router(config)# aaa new-model	Enables the AAA access control model.
Step 11	Router(config)# aaa authentication arguments	Specifies one or more AAA authentication methods for use on serial interfaces that are running PPP. Refer to the Cisco IOS security guides for specific authentication arguments for your network security configuration.
Step 12	Router(config)# aaa authorization arguments	Sets parameters that restrict user access to a network. Refer to the Cisco IOS security guides for specific authorization arguments for your network security configuration.
Step 13	Router(config)# username name password password	Creates authentication credentials for the stack group.
Step 14	Router(config)# sgbp group name	Creates the stack group and assigns this router to it.

	Command	Purpose
Step 15	Router(config)# sgbp member peer-name [peer-ip-address]	Specifies a peer member of the stack group.
Step 16	Router(config)# interface dialer 1	Enters interface configuration mode for dialer interface 1.
Step 17	Router(config-if)# dialer aaa	Allows a dialer to access the AAA server for dialing information.
Step 18	Router(config-if)# dialer in-band	Specifies that DDR is to be supported.
Step 19	Router(config-if)# no ip directed-broadcast	Disables the translation of a directed broadcast to physical broadcasts.
Step 20	Router(config-if)# encapsulation ppp	Sets the PPP encapsulation method on the dialer interface.
Step 21	Router(config-if)# ppp multilink	Enables MLP on an interface.

See the configuration examples later in this document for additional commands that may be configured on the LAC.

Verifying L2TP Large-Scale Dial-Out

To verify that L2TP large-scale dial-out is configured correctly, perform the following steps:



Note

Effective with Cisco Release 12.4(11)T, the **L2F protocol** was removed in Cisco IOS software.

- Step 1** From the LNS, display tunnel statistics by entering the **show vpdn** and the **show vpdn tunnel all EXEC** commands:

```
Router# show vpdn
```

```
L2TP Tunnel and Session Information Total tunnels 1 sessions 1
LocID RemID Remote Name State Remote Address Port Sessions
55788 55043 rdt5300-15 est 10.23.1.1 1701 1
LocID RemID TunID Intf Username State Last Chg
Fastswitch
83 50 55788 Vi1 rdt7204-1 est 00:01:08
enabled
```

```
%No active L2F tunnels
```

```
%No active PPTP tunnels
```

```
%No active PPPoE tunnels
```

```
Router# show vpdn tunnel all
```

```
L2TP Tunnel Information Total tunnels 1 sessions 1
```

```
Tunnel id 8873 is up, remote id is 41736, 1 active sessions
Tunnel state is established, time since change 00:00:05
Remote tunnel name is rdt5300-15
Internet Address 10.23.1.1, port 1701
Local tunnel name is rdt7206vvr-8
Internet Address 10.23.1.100, port 1701
```



```

11 packets sent, 12 received
653 bytes sent, 666 received
Control Ns 3, Nr 3
Local RWS 10000 (default), Remote RWS 800
Tunnel PMTU checking disabled
Retransmission time 1, max 1 seconds
Unsent queuesize 0, max 0
Resend queuesize 0, max 2
Total resends 0, ZLB ACKs sent 2
Current nosession queue check 0 of 5
Retransmit time distribution: 0 2 0 0 0 0 0 0
Sessions disconnected due to lack of resources 0

```

```
%No active L2F tunnels
```

```
%No active PPTP tunnels
```

```
%No active PPPoE tunnels
```

Step 2 From the LNS, enter the **show interfaces virtual-access EXEC** command to verify that the interface is up and that no errors are reported:

```

Router# show interfaces virtual-access 1

Virtual-Access1 is up, line protocol is up
  Hardware is Virtual Access interface
  MTU 1500 bytes, BW 64 Kbit, DLY 1000000 usec,
    reliability 255/255, txload 1/255, rxload 1/255
  Encapsulation PPP, loopback not set
  DTR is pulsed for 5 seconds on reset
  Time to interface disconnect: idle 00:01:16
  Interface is bound to Di1 (Encapsulation PPP)
  LCP Open, multilink Open
  Open: IPCP, CDPCP
  Last input 00:00:07, output never, output hang never
  Last clearing of "show interface" counters 00:01:33
  Input queue: 0/75/0/0 (size/max/drops/flushes); Total output drops: 0
  Queueing strategy: weighted fair
  Output queue: 0/1000/64/0 (size/max total/threshold/drops)
    Conversations 0/1/16 (active/max active/max total)
    Reserved Conversations 0/0 (allocated/max allocated)
    Available Bandwidth 48 kilobits/sec
  5 minute input rate 0 bits/sec, 0 packets/sec
  5 minute output rate 0 bits/sec, 0 packets/sec
    9 packets input, 767 bytes, 0 no buffer
    Received 0 broadcasts, 0 runts, 0 giants, 0 throttles
    0 input errors, 0 CRC, 0 frame, 0 overrun, 0 ignored, 0 abort
    10 packets output, 849 bytes, 0 underruns
    0 output errors, 0 collisions, 0 interface resets
    0 output buffer failures, 0 output buffers swapped out
    0 carrier transitions

```

Step 3 From the LNS, display information for MLP bundles by entering the **show ppp multilink EXEC** command:

```

Router# show ppp multilink

Virtual-Access3, bundle name is rdt7204-1
  Bundle up for 00:01:19
  Using relaxed lost fragment detection algorithm.
  Dialer interface is Dialer1
  0 lost fragments, 0 reordered, 0 unassigned
  0 discarded, 0 lost received, 1/255 load
  0x8 received sequence, 0x8 sent sequence

```

```

Member links: 4 (max not set, min not set)
  rdt5300-15:Virtual-Access1 (10.23.1.1), since 00:01:19, last rcvd seq
000006, unsequenced
  rdt5300-15:Virtual-Access5 (10.23.1.1), since 00:01:18, last rcvd seq
000007, unsequenced
  rdt5300-15:Virtual-Access4 (10.23.1.1), since 00:00:48, no frags rcvd,
unsequenced
  rdt5300-15:Virtual-Access6 (10.23.1.1), since 00:00:18, no frags rcvd,
unsequenced

```

Step 4 From the LAC, display active tunnel statistics by entering the **show vpdn** and **show vpdn tunnel all** EXEC commands:

```
Router# show vpdn
```

```
L2TP Tunnel and Session Information Total tunnels 1 sessions 1
```

LocID	RemID	Remote Name	State	Remote Address	Port	Sessions
51111	46115	rdt7206vxr-8	est	10.23.1.100	1701	1

LocID	RemID	TunID	Intf	Username	State	Last Chg
2	86	51111	Se0:22	rdt7204-1	est	00:00:05

enabled

```
%No active L2F tunnels
```

```
%No active PPTP tunnels
```

```
%No active PPPoE tunnels
```

```
Router# show vpdn tunnel all
```

```
L2TP Tunnel Information Total tunnels 1 sessions 1
```

```

Tunnel id 51111 is up, remote id is 46115, 1 active sessions
  Tunnel state is established, time since change 00:00:18
  Remote tunnel name is rdt7206vxr-8
    Internet Address 10.23.1.100, port 1701
  Local tunnel name is rdt5300-15
    Internet Address 10.23.1.1, port 1701
  13 packets sent, 12 received
  1156 bytes sent, 677 received
  Control Ns 3, Nr 3
  Local RWS 800 (default), Remote RWS 800 (max)
  Tunnel PMTU checking disabled
  Retransmission time 1, max 1 seconds
  Unsent queuesize 0, max 0
  Resend queuesize 0, max 1
  Total resends 1, ZLB ACKs sent 2
  Current nosession queue check 0 of 5
  Retransmit time distribution: 0 3 1 0 0 0 0 0
  Sessions disconnected due to lack of resources 0

```

```
%No active L2F tunnels
```

```
%No active PPTP tunnels
```

```
%No active PPPoE tunnels
```

Step 5 From the LAC, confirm active SGBP group members by entering the **show sgbp** EXEC command:

```
Router# show sgbp
```

```
Group Name: bri_pri Ref: 0x7B920584
Seed bid: default, 50, default seed bid setting
```

```
Member Name: rdt3640-17 State: active Id: 2
Ref: 0x73069C41
Address: 10.23.1.2
```

Step 6 From the LAC, display connection status by entering the **show isdn status EXEC** command or the **show user EXEC** command:

```
Router# show isdn status
```

```
Global ISDN Switchtype = primary-5ess
ISDN Serial0:23 interface
    dsl 0, interface ISDN Switchtype = primary-5ess
    Layer 1 Status:
        ACTIVE
    Layer 2 Status:
        TEI = 0, Ces = 1, SAPI = 0, State = MULTIPLE_FRAME_ESTABLISHED
    Layer 3 Status:
        2 Active Layer 3 Call(s)
        CCB:callid=8008, sapi=0, ces=0, B-chan=23, calltype=DATA
        CCB:callid=8009, sapi=0, ces=0, B-chan=22, calltype=DATA
    Active dsl 0 CCBs = 2
    The Free Channel Mask: 0x801FFFFFF
    Number of L2 Discards = 0, L2 Session ID = 0
    Total Allocated ISDN CCBs = 2
```

```
Router# show user
```

```

      Line      User      Host(s)      Idle      Location
*  0 con 0
                                     idle      00:00:00

Interface      User      Mode      Idle      Peer
Address
Se0:20
Se0:21
Se0:22
```

Monitoring and Maintaining L2TP Large-Scale Dial-Out

To monitor and maintain L2TP large-scale dial-out, use the following EXEC commands:

Command	Purpose
Router> clear dialer sessions	Removes all dialer sessions and disconnects links.
Router# clear vpdn tunnel l2tp <i>network-access-server gateway-name</i>	Shuts down a specific tunnel and all the sessions within the tunnel.
Router> show dialer sessions	Displays all dialer sessions.

Command	Purpose
Router# show interfaces virtual access <i>number</i>	Displays information about the virtual access interface, LCP, protocol states, and interface statistics. The status of the virtual access interface should be: Virtual-Access <i>sn</i> is up, line protocol is up
Router> show ip route [<i>static</i> [<i>download</i>]]	Displays all static IP routes or those installed using the AAA route download function.
Router> show ppp multilink	Displays MLP and Multichassis Multilink PPP (MMP) bundle information.
Router# show vpdn	Displays a summary of all active VPDN tunnels.
Router# show vpdn group [<i>name</i> <i>name domain</i> <i>name endpoint</i>]	Displays a summary of the relationships among VPDN groups and customer or VPDN profiles. Note When you include the name of the VPDN group, the output displays information on domain or DNIS, tunnel endpoint, session limits, group priority, active sessions, group status, and reserved sessions.
Router# show vpdn history failure	Displays information about VPDN user failures.
Router# show vpdn multilink	Displays VPDN multilink information.
Router# show vpdn session [<i>all</i> <i>packets</i> <i>sequence</i> <i>state</i> <i>timers</i> <i>window</i>] [<i>interface</i> <i>tunnel</i> <i>username</i>]	Displays VPDN session information including interface, tunnel, username, packets, status, and window statistics.
Router# show vpdn tunnel [<i>all</i> <i>packets</i> <i>state</i> <i>summary</i> <i>transport</i>] [<i>id</i> <i>local-name</i> <i>remote-name</i>]	Displays VPDN tunnel information including tunnel protocol, ID, local and remote tunnel names, packets sent and received, tunnel, and transport status.

Configuration Examples

This section provides the following configuration examples:

- [LNS Configured to Request Dial-Out Example](#)
- [LAC Configured to Accept Dial-Out Example](#)

LNS Configured to Request Dial-Out Example

In the following example, the LNS VPDN group is configured to make a dial-out request using L2TP:

```
vpdn enable
!
vpdn group 2
  request-dialout
  protocol l2tp
  rotary-group 1
  local name group1
  initiate-to ip 10.3.2.1 limit 5 priority 2
!
interface virtual-template 1
  no ip directed-broadcast
  encapsulation ppp
  ppp multilink
```

```

!
interface Dialer 1
 no ip directed-broadcast
 dialer in-band
 dialer vpdn
 dialer aaa
 dialer-group 1
 access-list 101 permit ip 0.0.0.0 255.255.255.255 0.0.0.0 255.255.255.255
 dialer-list 1 protocol ip list 101
 encapsulation ppp
 ppp multilink
 no fair-queue
 ppp authentication chap

```

LAC Configured to Accept Dial-Out Example

In the following example, the VPDN group of a LAC is configured to accept dial-outs using L2TP as the tunneling protocol and dialer interface 2:

```

vpdn enable
!
vpdn group 1
 accept-dialout
  protocol l2tp
  dialer 2
  local name group2
  terminate-from hostname host2
!
aaa new-model
aaa authentication ppp default radius local
aaa authorization network default radius none
aaa authorization configuration default radius
aaa route download 720
enable password 7 1236173C1B0F
!
username LAC1 password 7 030752180500
!
sgbp group dialbid
sgbp seed-bid offload
sgbp member LAC2 172.21.17.17
sgbp dial-bids
isdn switch-type basic-5ess
!
interface dialer 2
 ip address 172.19.2.3 255.255.128
 encapsulation ppp
 dialer remote-name group1
 dialer string 5551234
 dialer aaa

dialer pool 1
dialer-group 1
ppp authentication chap
.
.
.
end

```

Command Reference

This feature uses no new or modified commands. For information about all Cisco IOS commands, go to the Command Lookup Tool at <http://tools.cisco.com/Support/CLILookup> or to the *Cisco IOS Master Commands List*.

- **xremote**

Cisco and the Cisco Logo are trademarks of Cisco Systems, Inc. and/or its affiliates in the U.S. and other countries. A listing of Cisco's trademarks can be found at www.cisco.com/go/trademarks. Third party trademarks mentioned are the property of their respective owners. The use of the word partner does not imply a partnership relationship between Cisco and any other company. (1005R)

Any Internet Protocol (IP) addresses and phone numbers used in this document are not intended to be actual addresses and phone numbers. Any examples, command display output, network topology diagrams, and other figures included in the document are shown for illustrative purposes only. Any use of actual IP addresses or phone numbers in illustrative content is unintentional and coincidental.

© 2001–2009 Cisco Systems, Inc. All rights reserved.



L2TP Large-Scale Dial-Out per-User Attribute via AAA

This feature makes it possible for IP per-user attributes to be applied to a Layer 2 Tunneling Protocol (L2TP) dial-out session.

Feature Specifications for L2TP Large-Scale Dial-Out per-User Attribute via AAA

Feature History

Release	Modification
12.2(15)T	This feature was introduced.

Supported Platforms

Cisco 7200, Cisco 7400

Finding Support Information for Platforms and Cisco IOS Software Images

Use Cisco Feature Navigator to find information about platform support and Cisco IOS software image support. Access Cisco Feature Navigator at <http://www.cisco.com/go/fn>. You must have an account on Cisco.com. If you do not have an account or have forgotten your username or password, click **Cancel** at the login dialog box and follow the instructions that appear.

Contents

- [Restrictions for Using L2TP Large-Scale Dial-Out per-User Attribute via AAA, page 1172](#)
- [Information About L2TP Large-Scale Dial-Out per-User Attribute via AAA, page 1172](#)
- [How to Configure L2TP Large-Scale Dial-Out per-User Attribute via AAA, page 1173](#)
- [Configuration Examples for L2TP Large-Scale Dial-Out per-User Attribute via AAA, page 1177](#)
- [Additional References, page 1180](#)
- [Command Reference, page 1182](#)



Americas Headquarters:
Cisco Systems, Inc., 170 West Tasman Drive, San Jose, CA 95134-1706 USA

Restrictions for Using L2TP Large-Scale Dial-Out per-User Attribute via AAA

The L2TP Large-Scale Dial-Out per-User Attribute via AAA feature does *not* support the following features associated with L2TP dial-out:

- Dialer Watch
- Dialer backup
- Dialer redial
- Dialer multiple number dial
- Callback initiated by an L2TP network server (LNS), the Bandwidth Allocation Protocol (BAP), and so on

Information About L2TP Large-Scale Dial-Out per-User Attribute via AAA

To configure the L2TP Large-Scale Dial-Out per-User Attribute via AAA feature, you need to understand the following concept:

- [How the L2TP Large-Scale Dial-Out per-User Attribute via AAA Feature Works, page 1172](#)

How the L2TP Large-Scale Dial-Out per-User Attribute via AAA Feature Works

The L2TP Large-Scale Dial-Out per-User Attribute via AAA feature makes it possible for IP and other per-user attributes to be applied to an L2TP dial-out session from an LNS. Before this feature was released, IP per-user configurations from authentication, authorization, and accounting (AAA) servers were not supported; the IP configuration would come from the dialer interface defined on the router.

The L2TP Large-Scale Dial-Out per-User Attribute via AAA feature works in a way similar to virtual profiles and L2TP dial-in. The L2TP virtual access interface is first cloned from the virtual template, which means that configurations from the virtual template interface will be applied to the L2TP virtual access interface. After authentication, the AAA per-user configuration is applied to the virtual access interface. Because AAA per-user attributes are applied only after the user has been authenticated, the LNS must be configured to authenticate the dial-out user (configuration authentication is needed for this feature).

With the L2TP Large-Scale Dial-Out per-User Attribute via AAA feature, all software components can now use the configuration present on the virtual access interface rather than what is present on the dialer interface. For example, IP Control Protocol (IPCP) address negotiation uses the local address of the virtual access interface as the router address while negotiating with the peer.

All Cisco IOS commands that can be configured as AAA per-user commands are supported by the L2TP Large-Scale Dial-Out per-User Attribute via AAA feature. Following is a list of some of the commands that are typically configured on a per-user basis:

- The **ip vrf forwarding** interface configuration command
- The **ip unnumbered loopback0** interface configuration command
- Per-user static routes

- Access lists
- Multilink bundles
- Idle timers

How to Configure L2TP Large-Scale Dial-Out per-User Attribute via AAA

This section contains the following procedures:

- [Configuring the VPDN Group on the LNS, page 1173](#) (required)
- [Verifying the Configuration on the Virtual Access Interface, page 1175](#) (optional)
- [Troubleshooting the Configuration on the Virtual Access Interface, page 1175](#) (optional)

Configuring the VPDN Group on the LNS

You will need to configure the virtual template under the request dial-out configuration. You will also need to select the tunneling protocol and assign the virtual private dial-up network (VPDN) subgroup to a rotary group.

AAA per-user configuration is supported only on legacy dialer or dialer rotary groups and does not make sense on dialer profiles.

Be sure to configure the virtual template so that the LNS authenticates the dial-out user.

If a virtual template is not configured, L2TP dial-out per-user is not supported, but the configuration is backward compatible for all IP configurations that come from the dialer interface.

Prerequisites

The L2TP Large-Scale Dial-Out per-User Attribute via AAA feature provides additional functionality for large-scale dial-out networks and Layer 2 tunneling. It is assumed that a network is already configured and operational, and that the tasks in this document will be performed on an operational network. See the [“Additional References”](#) section for more information about large-scale dial-out networks, Layer 2 tunneling, and virtual template interfaces.

Restrictions

If the tasks in this section are not performed, the software will operate in the original mode, that is, IP per-user configurations from a AAA server will not be recognized and IP addresses will come from the dialer interface defined on the router.

To configure the VPDN group that makes it possible for IP per-user attributes to be applied to an L2TP dial-out session, use the following commands:

SUMMARY STEPS

1. **enable**
2. **configure terminal**

3. **vpdn-group** *name*
4. **request-dialout**
5. **protocol l2tp**
6. **rotary-group** *group-number*
7. **virtual-template** *template-number*
8. **exit**

DETAILED STEPS

	Command or Action	Purpose
Step 1	enable Example: Router> enable	Enables privileged EXEC mode. <ul style="list-style-type: none"> • Enter your password if prompted.
Step 2	configure terminal Example: Router# configure terminal	Enters global configuration mode.
Step 3	vpdn-group <i>name</i> Example: Router(config)# vpdn-group 1	Creates a VPDN group and starts VPDN group configuration mode.
Step 4	request-dialout Example: Router(config-vpdn)# request-dialout	Enables an LNS to request VPDN dial-out calls by using L2TP, and starts VPDN request-dialout configuration mode.
Step 5	protocol l2tp Example: Router(config-vpdn-req-ou)# protocol l2tp	Specifies the L2TP tunneling protocol.
Step 6	rotary-group <i>group-number</i> Example: Router(config-vpdn-req-ou)# rotary-group 1	Assigns a request-dialout VPDN subgroup to a dialer rotary group.
Step 7	virtual-template <i>template-number</i> Example: Router(config-vpdn-req-ou)# virtual-template 1	Clones the configuration from a corresponding virtual template interface, and supports IP per-user configurations from a AAA server.
Step 8	exit Example: Router(config-vpdn-req-ou)# exit	Exits VPDN request-dialout configuration mode.

What to Do Next

The configuration for the L2TP Large-Scale Dial-Out per-User Attribute via AAA feature must include a AAA profile to specify the per-user attributes. See the “[Per-User AAA Attributes Profile Example](#)” for an example of such a profile.

Verifying the Configuration on the Virtual Access Interface

This task verifies that the per-user AAA commands are successfully parsed on the virtual access interface.

SUMMARY STEPS

1. **enable**
2. **show interfaces virtual-access *number* [configuration]**

DETAILED STEPS

	Command or Action	Purpose
Step 1	enable Example: Router> enable	Enables privileged EXEC mode. <ul style="list-style-type: none"> • Enter your password if prompted.
Step 2	show interfaces virtual-access <i>number</i> [configuration] Example: Router# show interfaces virtual-access 3 configuration	Displays status, traffic data, and configuration information about a specified virtual access interface. <ul style="list-style-type: none"> • configuration—(Optional) Restricts output to configuration information.

Troubleshooting the Configuration on the Virtual Access Interface

This task displays additional information about the per-user AAA commands that are parsed on the virtual access interface.

SUMMARY STEPS

1. Attach a console directly to a router.
2. **enable**
3. **configure terminal**
4. **no logging console**
5. Use Telnet to access a router port and repeat Steps 2 and 3.
6. **terminal monitor**
7. **exit**
8. **debug aaa per-user**

9. **debug vtemplate events**
10. **debug vtemplate cloning**
11. **configure terminal**
12. **no terminal monitor**
13. **exit**

DETAILED STEPS

	Command or Action	Purpose
Step 1	Attach a console directly to a router.	—
Step 2	enable Example: Router> enable	Enables privileged EXEC mode. <ul style="list-style-type: none"> • Enter your password if prompted.
Step 3	configure terminal Example: Router# configure terminal	Enters global configuration mode.
Step 4	no logging console Example: Router(config)# no logging console	Disables all logging to the console terminal. <ul style="list-style-type: none"> • To reenble logging to the console, use the logging console command in global configuration mode.
Step 5	Use Telnet to access a router port and repeat Steps 2 and 3.	Enters global configuration mode in a recursive Telnet session, which allows the output to be redirected away from the console port.
Step 6	terminal monitor Example: Router(config)# terminal monitor	Enables logging output on the virtual terminal.
Step 7	exit Example: Router(config)# exit	Exits to privileged EXEC mode.
Step 8	debug aaa per-user Example: Router# debug aaa per-user	Displays what attributes are applied to each user as the user authenticates.
Step 9	debug vtemplate events Example: Router# debug vtemplate events	Displays the virtual template events to form a virtual access interface.

	Command or Action	Purpose
Step 10	<code>debug vtemplate cloning</code> Example: Router# debug vtemplate cloning	Displays the virtual template cloning to form a virtual access interface. <ul style="list-style-type: none"> Use this command to verify when the interface is created (cloned from the virtual template) at the beginning of the dialup connection and when the interface is destroyed when the connection is terminated.
Step 11	<code>configure terminal</code> Example: Router# configure terminal	Enters global configuration mode.
Step 12	<code>no terminal monitor</code> Example: Router(config)# no terminal monitor	Disables logging on the virtual terminal.
Step 13	<code>exit</code> Example: Router(config)# exit	Exits to privileged EXEC mode.

Configuration Examples for L2TP Large-Scale Dial-Out per-User Attribute via AAA

This section provides the following configuration examples to show how to configure the L2TP Large-Scale Dial-Out per-User Attribute via AAA feature:

- [LNS Configuration Example, page 1177](#)
- [Per-User AAA Attributes Profile Example, page 1178](#)
- [Virtual Access Interface Configuration Verification Example, page 1178](#)
- [Virtual Access Interface Configuration Troubleshooting Example, page 1178](#)

LNS Configuration Example

The following partial example shows how to configure an LNS for the L2TP Large-Scale Dial-Out per-User Attribute via AAA feature:

```
!
vpdn enable
vpdn search-order domain
!
vpdn-group 1
.
.
.
request-dialout
protocol l2tp
rotary-group 1
```

```

virtual-template 1
initiate-to ip 10.0.1.194.2
local name lns
l2tp tunnel password 7094F3$!5^3
source-ip 10.0.194.53
!
```

Per-User AAA Attributes Profile Example

The following example shows the attribute-value pair (avpair) statements for a AAA profile to specify the per-user attributes:

```

5300-Router1-out Password = "cisco"
    Service-Type = Outbound
    cisco-avpair = "outbound:dial-number=5553021"
7200-Router1-1 Password = "cisco"
    Service-Type = Outbound
    cisco-avpair = "ip:route=10.17.17.1 255.255.255.255 Dialer1 100 name 5300-Router1"
5300-Router1 Password = "cisco"
    Service-Type = Framed
    Framed-Protocol = PPP
    cisco-avpair = "lcp:interface-config=ip unnumbered loopback 0"
    cisco-avpair = "ip:outacl#1=deny ip host 10.5.5.5 any log"
    cisco-avpair = "ip:outacl#2=permit ip any any"
    cisco-avpair = "ip:inacl#1=deny ip host 10.5.5.5 any log"
    cisco-avpair = "ip:inacl#2=permit ip any any"
    cisco-avpair = "multilink:min-links=2"
    Framed-Route = "10.5.5.6/32 Ethernet4/0"
    Framed-Route = "10.5.5.5/32 Ethernet4/0"
    Idle-Timeout = 100
```

Virtual Access Interface Configuration Verification Example

The following example shows the virtual access interface configuration so you can check that the per-user AAA commands are correctly parsed:

```

Router# show interfaces virtual-access 3 configuration

Virtual-Access3 is an VPDN link (sub)interface

Derived configuration : 212 bytes
!
interface Virtual-Access3
 ip vrf forwarding V1.25.com
 ip unnumbered Loopback25
 no peer default ip address
 ppp authentication chap
end
```

Virtual Access Interface Configuration Troubleshooting Example

This section provides the following debugging session examples for a network configured with the L2TP Large-Scale Dial-Out per-User Attribute via AAA feature. Output is displayed for each command in the task.

Sample Output for the debug aaa per-user Command

```

Router# debug aaa per-user

%LINK-3-UPDOWN: Interface Virtual-Access3, changed state to up
AAA/AUTHOR: Processing PerUser AV interface-config
AAA/AUTHOR: Processing PerUser AV route
AAA/AUTHOR: Processing PerUser AV route
AAA/AUTHOR: Processing PerUser AV outacl
AAA/AUTHOR: Processing PerUser AV outacl
AAA/AUTHOR: Processing PerUser AV inacl
AAA/AUTHOR: Processing PerUser AV inacl
Vi3 AAA/PERUSER/ROUTE: vrf name for vaccess: V1.25.com
Vi3 AAA/PERUSER/ROUTE: route string: IP route vrf V1.25.com 10.1.25.10 255.255.255.255 10.1.25.20 tag 120
Vi3 AAA/PERUSER/ROUTE: vrf name for vaccess: V1.25.com
Vi3 AAA/PERUSER/ROUTE: route string: IP route vrf V1.25.com 172.30.35.0 255.255.255.0 10.1.25.20 tag 120

AAA/PER-USER: mode = config; command = [ip access-list extended Virtual-Access3#41
permit icmp any any log
permit ip any any]
AAA/PER-USER: line = [ip access-list extended Virtual-Access3#41]
AAA/PER-USER: line = [permit icmp any any log]
AAA/PER-USER: line = [permit ip any any]
AAA/PER-USER: mode = config; command = [ip access-list extended Virtual-Access3#42
permit icmp any any log
permit ip any any]
AAA/PER-USER: line = [ip access-list extended Virtual-Access3#42]
AAA/PER-USER: line = [permit icmp any any log]
AAA/PER-USER: line = [permit ip any any]
AAA/PER-USER: mode = config; command = [IP route vrf V1.25.com 10.1.25.10 255.255.255.255 10.1.25.20 tag
120 IP route vrf V1.25.com 172.30.35.0 255.255.255.0 10.1.25.20 tag 120]
AAA/PER-USER: line = [IP route vrf V1.25.com 10.1.25.10 255.255.255.255 10.1.25.20 tag 120]
AAA/PER-USER: line = [IP route vrf V1.25.com 172.30.35.0 255.255.255.0 10.1.25.20 tag 120]
*Feb 28 07:35:19.616: %LINEPROTO-5-UPDOWN: Line protocol on Interface Virtual-Access3, changed state to
up

```

Sample Output for the debug vtemplate events and debug vtemplate cloning Commands

```

Router# debug vtemplate events
Router# debug vtemplate cloning

VT[Vi3]:Reuse interface, recycle queue size 1
VT[Vi3]:Set to default using 'encap ppp'
VT[Vi3]:Vaccess created
VT[Vi3]:Added new vtemplate cloneblk, now cloning from vtemplate
VT[Vi3]:Clone Vaccess from Virtual-Template25 (19 bytes)
VT[Vi3]:no ip address
VT[Vi3]:end
VT[Vi3]:Applying config commands on process "Dialer event" (25)
VT[Vi3]:no ip address
VT[Vi3]:end
%LINK-3-UPDOWN: Interface Virtual-Access3, changed state to up
VT:Sending vaccess request, id 0x6401947C
VT:Processing vaccess requests, 1 outstanding
VT[Vi3]:Added new AAA cloneblk, now cloning from vtemplate/AAA
VT[Vi3]:Clone Vaccess from AAA (60 bytes)
VT[Vi3]:ip vrf forwarding V1.25.com
VT[Vi3]:ip unnumbered loopback25
VT[Vi3]:end
VT[Vi3]:Applying config commands on process "VTEMPLATE Background Mgr" (160)
VT[Vi3]:ip vrf forwarding V1.25.com
VT[Vi3]:ip unnumbered loopback25
VT[Vi3]:end
VT[Vi3]:MTUs ip 1500, sub 0, max 1500, default 1500

```

```
VT[Vi3]:Processing vaccess response, id 0x6401947C, result success (1)
VT[Vi3]:Added new AAA cloneblk, now cloning from vtemplate/AAA
VT[Vi3]:Clone Vaccess from AAA (82 bytes)
VT[Vi3]:IP access-group Virtual-Access3#51 in
VT[Vi3]:IP access-group Virtual-Access3#52 out
VT[Vi3]:end
VT[Vi3]:Applying config commands on process "PPP IP Route" (62)
VT[Vi3]:IP access-group Virtual-Access3#51 in
VT[Vi3]:IP access-group Virtual-Access3#52 out
VT[Vi3]:end
%LINEPROTO-5-UPDOWN: Line protocol on Interface Virtual-Access3, changed state to up
```

Additional References

For additional information related to L2TP large-scale dial-out per-user attributes using a AAA server, see to the following sections:

- [Related Documents, page 1181](#)
- [Standards, page 1181](#)
- [MIBs, page 1181](#)
- [RFCs, page 1182](#)
- [Technical Assistance, page 1182](#)

Related Documents

Related Topic	Document Title
Large-scale dial-out	<i>Cisco IOS Dial Technologies Configuration Guide</i> , Release 12.2; refer to the chapter “Configuring Large-Scale Dial-Out.”
VPDN groups	<i>Cisco IOS Dial Technologies Configuration Guide</i> , Release 12.2; refer to the chapter “Configuring Virtual Private Networks.”
Virtual interfaces	<i>Cisco IOS Dial Technologies Configuration Guide</i> , Release 12.2; refer to the chapter “Configuring Virtual Template Interfaces.”
Per-user configuration	<i>Cisco IOS Dial Technologies Configuration Guide</i> , Release 12.2; refer to the chapter “Configuring Per-User Configuration.”
Descriptions of debug command output	<i>Cisco IOS Debug Command Reference</i> , Release 12.2.

Standards

Standards	Title
None	—

MIBs

MIBs	MIBs Link
None	To obtain lists of supported MIBs by platform and Cisco IOS release, and to download MIB modules, go to the Cisco MIB website on Cisco.com at the following URL: http://www.cisco.com/public/sw-center/netmgmt/cmtk/mibs.shtml

To locate and download MIBs for selected platforms, Cisco IOS releases, and feature sets, use Cisco MIB Locator found at the following URL:

<http://tools.cisco.com/ITDIT/MIBS/servlet/index>

If Cisco MIB Locator does not support the MIB information that you need, you can also obtain a list of supported MIBs and download MIBs from the Cisco MIBs page at the following URL:

<http://www.cisco.com/public/sw-center/netmgmt/cmtk/mibs.shtml>

To access Cisco MIB Locator, you must have an account on Cisco.com. If you have forgotten or lost your account information, send a blank e-mail to cco-locksmith@cisco.com. An automatic check will verify that your e-mail address is registered with Cisco.com. If the check is successful, account details with a new random password will be e-mailed to you. Qualified users can establish an account on Cisco.com by following the directions found at this URL:

<http://www.cisco.com/register>

RFCs

RFCs	Title
None	—

Technical Assistance

Description	Link
<p>The Cisco Support website provides extensive online resources, including documentation and tools for troubleshooting and resolving technical issues with Cisco products and technologies.</p> <p>To receive security and technical information about your products, you can subscribe to various services, such as the Product Alert Tool (accessed from Field Notices), the Cisco Technical Services Newsletter, and Really Simple Syndication (RSS) Feeds.</p> <p>Access to most tools on the Cisco Support website requires a Cisco.com user ID and password.</p>	http://www.cisco.com/techsupport

Command Reference

The following commands are introduced or modified in the feature or features documented in this module. For information about these commands, see the *Cisco IOS Dial Technologies Command Reference* at http://www.cisco.com/en/US/docs/ios/dial/command/reference/dia_book.html. For information about all Cisco IOS commands, go to the Command Lookup Tool at <http://tools.cisco.com/Support/CLILookup> or to the *Cisco IOS Master Commands List*.

- **virtual-template**

```
x25 route 11111 interface Dialer0
x25 route 44444 interface Dialer0
!
```

Cisco and the Cisco Logo are trademarks of Cisco Systems, Inc. and/or its affiliates in the U.S. and other countries. A listing of Cisco's trademarks can be found at www.cisco.com/go/trademarks. Third party trademarks mentioned are the property of their respective owners. The use of the word partner does not imply a partnership relationship between Cisco and any other company. (1005R)

Any Internet Protocol (IP) addresses and phone numbers used in this document are not intended to be actual addresses and phone numbers. Any examples, command display output, network topology diagrams, and other figures included in the document are shown for illustrative purposes only. Any use of actual IP addresses or phone numbers in illustrative content is unintentional and coincidental.

© 2007–2009 Cisco Systems, Inc. All rights reserved.



Modem Script and System Script Support in Large-Scale Dial-Out

This feature module describes the Modem Script and System Script Support in Large-Scale Dial-Out feature and includes the following sections:

- [Feature Overview, page 1183](#)
- [Supported Platforms, page 1184](#)
- [Supported Standards, MIBs, and RFCs, page 1184](#)
- [Configuration Tasks, page 1185](#)
- [Monitoring and Maintaining Large-Scale Dial-Out Sessions, page 1186](#)
- [Configuration Examples, page 1186](#)
- [Command Reference, page 1187](#)
- [Appendix, page 1188](#)
- [Glossary, page 1189](#)

Feature Overview

Modem connection and system login chat scripts are often used when asynchronous dial-on-demand routing (DDR) is configured. Currently, however, the large-scale dial-out network architecture does not allow chat scripts for a particular session to be passed through the network. Cisco IOS Release 12.2(2)T allows modem and system chat scripts to pass through large-scale dial-out networks by allocating two new authentication, authorization, and accounting (AAA) attributes for outbound service.

The AAA attributes define specific AAA elements in a user profile. Large-scale dial-out supports Cisco attribute-value (AV) pairs and TACACS+ attributes. The Modem Script and System Script Support in Large-Scale Dial-Out feature provides two new outbound service attributes for passing chat scripts: modem-script and system-script.



Benefits

The Modem Script and System Script Support in Large-Scale Dial-Out feature allows users to use modem and system chat scripts by linking them to AAA service outbound attributes for use by Cisco network access servers in large-scale dial-out networks.

Related Documents

- *Cisco IOS Dial Technologies Configuration Guide*, Release 12.2
- *Cisco IOS Security Configuration Guide*, Release 12.2
- *CiscoSecure ACS for Windows NT User Guide 2.0*

Supported Platforms

The Asynchronous Line Monitoring feature feature was developed for and tested on several Cisco device platforms. Check Feature Navigator for the feature sets in which the Asynchronous Line Monitoring feature is available.

Determining Platform Support Through Cisco Feature Navigator

Cisco IOS software is packaged in feature sets that support specific platforms. To get updated information regarding platform support for this feature, access Cisco Feature Navigator. Cisco Feature Navigator dynamically updates the list of supported platforms as new platform support is added for the feature.

Cisco Feature Navigator is a web-based tool that enables you to quickly determine which Cisco IOS software images support a specific set of features and which features are supported in a specific Cisco IOS image. You can search by feature or release. Under the release section, you can compare releases side by side to display both the features unique to each software release and the features in common.

To access Cisco Feature Navigator, you must have an account on Cisco.com. If you have forgotten or lost your account information, send a blank e-mail to cco-locksmith@cisco.com. An automatic check will verify that your e-mail address is registered with Cisco.com. If the check is successful, account details with a new random password will be e-mailed to you. Qualified users can establish an account on Cisco.com by following the directions at <http://www.cisco.com/register>.

Cisco Feature Navigator is updated regularly when major Cisco IOS software releases and technology releases occur. For the most current information, go to the Cisco Feature Navigator home page at the following URL:

<http://www.cisco.com/go/fn>

Supported Standards, MIBs, and RFCs

Standards

No new or modified standards are supported by this feature.

MIBs

No new or modified MIBs are supported by this feature.

To obtain lists of supported MIBs by platform and Cisco IOS release, and to download MIB modules, go to the Cisco MIB website on Cisco.com at <http://www.cisco.com/public/sw-center/netmgmt/cmtk/mibs.shtml>.

RFCs

No new or modified RFCs are supported by this feature.

Configuration Tasks

See the following sections for configuration tasks for the Modem Script and System Script Support in Large-Scale Dial-Out feature. Each task in the list is identified as either optional or required.

- [Creating the Dial-Out Profile](#) (required)
- [Creating the Chat Script](#) (required)
- [Verifying Modem and System Chat Scripts with Large-Scale Dial-Out](#) (optional but recommended)

Once these tasks are complete, you will need to complete the configuration tasks required for large-scale dial-out. See the chapter “Configuring Large-Scale Dial-Out” in the *Cisco IOS Dial Technologies Configuration Guide*, Cisco IOS Release 12.2.

Creating the Dial-Out Profile

To specify a name for the modem script and, if needed, a system script using cisco-avpair attributes for outbound service, use the following syntax to enter these attributes in the dial-out profile:

```
cisco-avpair = "outbound:modem-script=script-name"  
cisco-avpair = "outbound:system-script=script-name"
```

To specify a name for the modem script and, if needed, a system script using TACACS+ attributes for outbound service, use the following syntax to enter these attributes in the dial-out profile:

```
service = outbound {  
    modem-script = script-name  
    system-script = script-name  
}
```

**Timesaver**

Remember that the dial-out profile name must have the characters “-out” appended to it and that the only required attribute for a profile is the Cisco AV pair `outbound:dial-number`.

See the section “[Dial-Out Profile Examples](#)” for examples of dial-out profiles.

For more information about defining profiles, see the *Cisco IOS Security Configuration Guide* and the chapter “Configuring Large-Scale Dial-Out” in the *Cisco IOS Dial Services Configuration Guide: Network Services*.

Creating the Chat Script

To configure the modem or system script name in the Cisco network access server (NAS), use the following command in global configuration mode:

Command	Purpose
Router(config)# chat-script <i>script-name expect-send</i>	Provides commands to dial a modem and commands to log on to remote systems when using DDR.

See the section “[Chat Script Example](#)” for an example of a chat script that works with a dial-out-profile.

Verifying Modem and System Chat Scripts with Large-Scale Dial-Out

To verify correct operation of the dial-out profile and modem chat script, use the **debug aaa authorization** command. See the “[Verification Example](#)” for a sample of the output from this command.

Monitoring and Maintaining Large-Scale Dial-Out Sessions

To monitor and maintain large-scale dial-out sessions, use the following commands in EXEC mode as needed:

Command	Purpose
Router# clear dialer sessions	Removes all dialer sessions and disconnects links.
Router# debug aaa authorization	Displays configuration information and information about AAA/TACACS+ authorization.
Router# show dialer sessions	Displays all dialer sessions.

Configuration Examples

This section provides the following configuration examples:

- [Dial-Out Profile Examples](#)
- [Chat Script Example](#)
- [Verification Example](#)

Dial-Out Profile Examples

The following is an example of a Cisco AV pair dial-out profile named “evergreen” that defines a modem script named “dialer-script”:

```
evergreen-out Password = "cisco",
User-Service-Type = Outbound-User
cisco-avpair = "outbound:dial-number=5551212",
cisco-avpair = "outbound:addr=5.1.1.1",
```

```
cisco-avpair = "outbound:send-secret=cisco",
cisco-avpair = "outbound:modem-script=dialer-script"
```

The following is an example of how to define the same profile for TACACS+:

```
user = evergreen-out
{
  service = outbound {
    dial-number = 5551212
    addr = 5.1.1.1
    send-secret = cisco
    modem-script = dialer-script
  }
  service = ppp protocol = ip {
    default attribute = permit
  }
}
```

Chat Script Example

The following example creates a chat script for the Cisco NAS that references the dialer-script modem script created in the dial-out profile:

```
chat-script dialer-script "" AT OK ATDT\T TIMEOUT 60 CONNECT
```

Verification Example

Once connection is made, you can verify the configuration using the **debug aaa authorization** privileged EXEC command:

Router# **debug aaa authorization**

```
00:01:07: %LSDialout: temporary debug to verify the data integrity
00:01:07:      dial number = 5551212
00:01:07:      dialnum_count = 1
00:01:07:      force_56 = 0
00:01:07:      routing = 0
00:01:07:      data_svc = -1
00:01:07:      port_type = -1
00:01:07:      map_class =
00:01:07:      modem_script = dialer-script
00:01:07:      system_script =
00:01:07:      ip_address = 5.1.1.1
00:01:07:      send_secret = cisco
00:01:07:      send_auth = -1
00:01:07:      send_name =
00:01:07:      class =
```

Command Reference

This feature uses no new or modified commands. For information about all Cisco IOS commands, go to the Command Lookup Tool at <http://tools.cisco.com/Support/CLILookup> or to the *Cisco IOS Master Commands List*.

Appendix

The following new Cisco AV pairs and TACACS+ attributes are added to the large-scale dial outbound service attributes:

Modem Script Attribute

Specifies a name for the modem script.

Cisco AV Pair:

```
cisco-avpair = "outbound:modem-script=VALUE"
```

TACACS+ Support:

```
service = outbound {  
    modem-script = VALUE  
}
```

Value:

Modem script name that you assign.

System Script Attribute

Specifies a name for the system script.

Cisco AV Pair:

```
cisco-avpair = "outbound:system-script=VALUE"
```

TACACS+ Support:

```
service = outbound {  
    system-script = VALUE  
}
```

Value:

System script name that you assign.

Glossary

AAA—authentication, authorization, and accounting. Suite of network security services that provide the primary framework through which access control can be set up on your Cisco router or access server.

attributes—Data items sent between a network access server and a daemon that are used to direct AAA activities.

authentication, authorization, and accounting—See AAA.

chat script—Strings of text used to send commands for modem dialing, logging in to remote systems, and initializing asynchronous devices connected to an asynchronous line.

dial-out profile—Attributes that define specific AAA elements in a user profile. Large-scale dial-out supports a subset of Ascend AV pairs, RADIUS attributes, and a map class attribute providing outbound dialing services.

Cisco and the Cisco Logo are trademarks of Cisco Systems, Inc. and/or its affiliates in the U.S. and other countries. A listing of Cisco's trademarks can be found at www.cisco.com/go/trademarks. Third party trademarks mentioned are the property of their respective owners. The use of the word partner does not imply a partnership relationship between Cisco and any other company. (1005R)

Any Internet Protocol (IP) addresses and phone numbers used in this document are not intended to be actual addresses and phone numbers. Any examples, command display output, network topology diagrams, and other figures included in the document are shown for illustrative purposes only. Any use of actual IP addresses or phone numbers in illustrative content is unintentional and coincidental.

© 2005–2009 Cisco Systems, Inc. All rights reserved.



Large-Scale Dial-Out (LSDO) VRF Aware

Feature History

Release	Modification
12.2(8)T	This feature was introduced.

This document describes the LSDO VRF Aware feature in Cisco IOS Release 12.2(8)T and includes the following sections:

- [Feature Overview, page 1191](#)
- [Supported Platforms, page 1193](#)
- [Supported Standards, MIBs, and RFCs, page 1193](#)
- [Prerequisites, page 1194](#)
- [Configuration Tasks, page 1194](#)
- [Configuration Examples, page 1195](#)
- [Command Reference, page 1196](#)
- [Glossary, page 1196](#)

Feature Overview

Currently, the Cisco large-scale dial-out (LSDO) feature is not supported in a Multiprotocol Label Switching (MPLS) virtual private network (VPN), which means it does not support tunneling protocols and cannot take advantage of cost benefits inherent in an MPLS VPN. (See the sections “[Benefits](#)” and the “[Related Documents](#)” for more details on the benefits of MPLS VPN.) Beginning with Cisco IOS Release 12.2(8)T, large-scale dial-out will support the Layer 2 Tunnel Protocol (L2TP) in an MPLS VPN.

The basic operation of large-scale dial-out relies on per-user static routes stored in an authentication, authorization, and accounting (AAA) server, and redistributed static and redistributed connected routes to put better routes pointing to the same remote network or host on the alternate network access server (NAS).



A static route is manually configured on a NAS. If the static route that pointed to the next hop of the NAS has a name, that name with the -out suffix attached becomes the profile name.

When a packet arrives on a dialer interface where a static map is not configured, the dial string is retrieved from the AAA server. The query made to the AAA server is based on the destination IP address of the packet received.

When using L2TP VPN large-scale dial-out, overlapping IP addresses are often present in virtual routing and forwarding instances (VRFs), so that a unique key is needed to retrieve the correct route from the AAA server. With VPDN as a dial-out resource, a virtual access interface is created for maintaining each PPP session. Software prior to Cisco IOS Release 12.2(8)T did not update the VRF information on the virtual access interface; rather, this information was cloned from the dialer interface.

In the Cisco IOS Release 12.2(8)T software, the VRF table identifier is retrieved from the incoming packet and is mapped to the VRF name. This VRF name and the destination IP address are combined to make the unique key needed to retrieve the dial string and other user profile information from the AAA server. When response from the AAA server is received and the virtual access interface is created, the virtual access interface is updated with VRF information that was retrieved from the incoming packet. As with profile names on dialer interfaces, the IP address and VRF name combination with the -out suffix attached becomes the profile name for large-scale dial-out in MPLS VPN using L2TP.

**Note**

Another way to build a unique key is to use the name of the IP route. In this situation, the key is made from the IP route name and VRF name combination with the -out suffix attached. Refer to the technical note listed in the [“Related Documents”](#) section for more information.

Benefits

Layer 2 Tunneling Technologies Trim Costs by Forwarding Calls over the Internet

Access VPNs use Layer 2 tunneling technologies to create a virtual point-to-point connection between users and the customer network. These tunneling technologies provide the same direct connectivity as the expensive Public Switched Telephone Network (PSTN) by using the Internet. Instead of connecting directly to the network by using the PSTN, access VPN users need only use the PSTN to connect to the Internet service provider (ISP) local point of presence (POP). The ISP then uses the Internet to forward users from the POP to the customer network. Forwarding a user call over the Internet provides cost savings for the customer.

The MPLS VPN Model Simplifies Network Routing Configuration

The MPLS VPN model simplifies network routing by allowing VPN services to be supported in service provider networks. An MPLS VPN user can generally employ the backbone of the service provider as the default route in communicating with all of the other VPN sites.

The customer outsources the responsibility for the information technology (IT) infrastructure to an ISP that maintains the pool of modems the remote users dial in to, the access servers, and the internetworking expertise. The customer is responsible only for authenticating its users and maintaining its network.

L2TP Large-Scale Dial-Out Benefits from MPLS VPN Environment

The unique key created from the VRF name and the destination IP address allows retrieval of the dial string and other user profile information from a AAA server using L2TP in an MPLS VPN environment.

Restrictions

Cisco IOS Release 12.2(8)T supports *only* L2TP large-scale dial-out, and this feature makes it possible to retrieve *only* the dialer string that large-scale dial-out needs to construct the dynamic dialer map. This feature cannot create virtual access interfaces in the large-scale dial-out environment.

Related Documents

Additional information about configuring networks that can take advantage of this feature can be found in the following Cisco IOS documentation:

- [Cisco IOS Dial Technologies Command Reference](#), Release 12.2.
- [Cisco IOS Dial Technologies Configuration Guide](#), Release 12.2. Refer to the chapter “Configuring Large-Scale Dial-Out” in the part “Dial Access Specialized Features,” and the chapter “Configuring Virtual Private Networks” in the part “Virtual Templates, Profiles, and Networks.”
- [Cisco IOS Switching Services Command Reference](#), Release 12.2.
- [Cisco IOS Switching Services Configuration Guide](#), Release 12.2. Refer to the chapter “Multiprotocol Label Switching Overview” in the part “Multiprotocol Label Switching.”

Supported Platforms

Use Cisco’s Feature Navigator tool to determine which platforms support the Asynchronous Line Monitoring feature.

Determining Platform Support Through Feature Navigator

Cisco IOS software is packaged in feature sets that support specific platforms. To get updated information regarding platform support for this feature, access Feature Navigator. Feature Navigator dynamically updates the list of supported platforms as new platform support is added for the feature.

Feature Navigator is a web-based tool that enables you to quickly determine which Cisco IOS software images support a specific set of features and which features are supported in a specific Cisco IOS image.

To access Feature Navigator, you must have an account on Cisco.com. If you have forgotten or lost your account information, send a blank e-mail to cco-locksmith@cisco.com. An automatic check will verify that your e-mail address is registered with Cisco.com. If the check is successful, account details with a new random password will be e-mailed to you. Qualified users can establish an account on Cisco.com by following the directions at <http://www.cisco.com/register>.

Feature Navigator is updated regularly when major Cisco IOS software releases and technology releases occur. For the most current information, go to the Feature Navigator home page at the following URL:

<http://www.cisco.com/go/fn>

Supported Standards, MIBs, and RFCs

Standards

None

MIBs

None

To obtain lists of supported MIBs by platform and Cisco IOS release, and to download MIB modules, go to the Cisco MIB website on Cisco.com at the following URL:

<http://www.cisco.com/public/sw-center/netmgmt/cmtk/mibs.shtml>

RFCs

None

Prerequisites

No new Cisco IOS commands are introduced with the Asynchronous Line Monitoring feature feature. Before configuring this feature, read through the chapters listed in the “[Related Documents](#)” section, to be sure you know how to configure VPDNs, dialer interfaces, and MPLS, then use the examples in the section “[Configuration Examples](#)” to help you determine the configuration you need for your network.

Configuration Tasks

No new configuration tasks are required for configuring the Asynchronous Line Monitoring feature feature. See the sections “[Prerequisites](#)” and “[Related Documents](#)” for more information.

Monitoring and Maintaining Asynchronous Line Monitoring feature

**Note**

Effective with Cisco Release 12.4(11)T, the **L2F protocol** was removed in Cisco IOS software.

To monitor and maintain Asynchronous Line Monitoring feature feature, use the following EXEC commands:

Command	Purpose
Router# show dialer	Displays general diagnostic information for interfaces configured for DDR.
Router# show ip protocols vrf	Displays the routing protocol information associated with a VRF.
Router# show ip route vrf	Displays the IP routing table associated with a VPN routing and VRF forwarding instance.
Router# show ip vrf	Displays the set of defined VRF instances and associated interfaces.
Router# show vpdn	Displays information about active L2F protocol tunnel and L2F message identifiers in a VPDN.
Router# show vpdn domain	Displays all VPDN domains and DNIS groups configured on the NAS.

Command	Purpose
Router# <code>show vpdn group</code>	Displays a summary of the relationships among VPDN groups and customer or VPDN profiles, and summarizes the configuration of a VPDN group including domain or DNIS, loadsharing information, and current session information.
Router# <code>show vpdn history failure</code>	Displays the content of the failure history table.
Router# <code>show vpdn multilink</code>	Displays the multilink sessions authorized for all VPDN groups.
Router# <code>show vpdn session</code>	Displays information about active L2TP or L2F sessions in a VPDN.
Router# <code>show vpdn tunnel</code>	Displays information about active L2TP or L2F tunnels in a VPDN.

Configuration Examples

This section contains partial sample configurations of the Asynchronous Line Monitoring feature. (Additional examples can be found in the technical note listed in the [“Related Documents”](#) section.)

In the following examples, VRF VPN_A has two hosts with the IP address 1.1.1.1 and 2.2.2.2 and, similarly, VRF VPN_B has two hosts with IP address 1.1.1.1 and 2.2.2.2. The AAA server is configured with a list containing “10.10.10.10-VPN_A-out” and “10.10.10.10-VPN_B-out” as keys to search on.



Note

The network addresses used in the following configuration are examples only and will not work if tried in an actual network configuration.

LNS Configuration

This partial example configures L2TP dial-out tunnels to an L2TP access concentrator (LAC) from an L2TP network server (LNS):

```
request-dialout
  protocol l2tp
  rotary-group 1
! LAC IP address:
  initiate-to ip 172.16.0.2
  local name PE2_LNS
  l2tp tunnel password 7 13!9@61&
```

Dialer Configuration

This partial example configures the dialer interface:

```
interface Dialer 1
! Global IP address:
  ip address 10.10.10.10
  encapsulation ppp
  dialer in-band
  dialer aaa
  dialer vpdn
  dialer-group 1
  ppp authentication chap
```

Routing Configuration

This partial example configures the VRF static routes:

```
ip route vrf VPN_A 1.1.1.1 255.255.255.255 Dialer1
ip route vrf VPN_A 2.2.2.2 255.255.255.255 Dialer1
```

```
ip route vrf VPN_B 1.1.1.1 255.255.255.255 Dialer1
ip route vrf VPN_B 2.2.2.2 255.255.255.255 Dialer1
```

Command Reference

This feature uses no new or modified commands. For information about all Cisco IOS commands, go to the Command Lookup Tool at <http://tools.cisco.com/Support/CLILookup> or to the *Cisco IOS Master Commands List*.

Glossary

L2TP—Layer 2 Tunnel Protocol. A tunneling protocol that permits separating the remote access network function—terminating the PSTN circuit, for example—from the local network access operations such as authenticating and authorizing the remote user.

L2TP access concentrator—See LAC.

L2TP network server—See LNS.

LAC—L2TP access concentrator. A node that acts as one side of an L2TP tunnel endpoint and is a peer to the LNS. The LAC sits between an LNS and a remote system and forwards packets to and from each. Packets sent from the LAC to the LNS require tunneling with the L2TP protocol. The connection from the LAC to the remote system is either local or a PPP link.

Layer 2 Tunnel Protocol—See L2TP.

LNS—L2TP network server. A device that terminates an L2TP tunnel. It receives the remote user PPP connection over an L2TP tunnel. The LNS authenticates and authorizes the remote user and then forwards packets between the remote user and the data network.

MPLS—Multiprotocol Label Switching. Switching method that forwards IP traffic using a label. This label instructs the routers and the switches in the network where to forward the packets based on pre-established IP routing information.

Multiprotocol Label Switching—See MPLS.

NAS—network access server. A device that provides local network access to users across a remote access network such as the PSTN. For example, a NAS may provide access to a user dialing in from the PSTN to the data network, that is, it terminates the PSTN circuit, terminates the remote user PPP session, authenticates and authorizes the remote user, and finally forwards packets between the remote user and the data network.

network access server—See NAS.

virtual private dialup network—See VPDN.

virtual routing and forwarding instance—See VRF.

VPDN—virtual private dialup network. A type of access VPN that uses PPP to interface with the subscriber. VPDN enables the service provider to configure VPNs across an IP access network that connects to the VRFs on a PE. VPDN uses the Layer 2 Tunnel Protocol (L2TP) to extend or "tunnel" a PPP session across the IP access network.

VRF—virtual routing and forwarding instance. Identifies a separate VPN within a particular MPLS VPN network domain.

Cisco and the Cisco Logo are trademarks of Cisco Systems, Inc. and/or its affiliates in the U.S. and other countries. A listing of Cisco's trademarks can be found at www.cisco.com/go/trademarks. Third party trademarks mentioned are the property of their respective owners. The use of the word partner does not imply a partnership relationship between Cisco and any other company. (1005R)

Any Internet Protocol (IP) addresses and phone numbers used in this document are not intended to be actual addresses and phone numbers. Any examples, command display output, network topology diagrams, and other figures included in the document are shown for illustrative purposes only. Any use of actual IP addresses or phone numbers in illustrative content is unintentional and coincidental.

© 2007-2008 Cisco Systems, Inc. All rights reserved.



Peer Pool Backup

The Asynchronous Line Monitoring feature provides control over selection of IP address pools in large-scale dial-out networks where authentication, authorization, and accounting (AAA) servers and network access servers (NASs) are controlled by different groups. This feature allows you to define alternate sources for IP address pools in the event the original address pool is not present or is exhausted.

Feature History for the Asynchronous Line Monitoring feature Feature

Release	Modification
12.2(8)B	This feature was introduced.
12.3(4)T	This feature was integrated into Cisco IOS Release 12.3(4)T.

Finding Support Information for Platforms and Cisco IOS Software Images

Use Cisco Feature Navigator to find information about platform support and Cisco IOS software image support. Access Cisco Feature Navigator at <http://www.cisco.com/go/fn>. You must have an account on Cisco.com. If you do not have an account or have forgotten your username or password, click **Cancel** at the login dialog box and follow the instructions that appear.

Contents

- [Prerequisites for Peer Pool Backup, page 1200](#)
- [Information About Peer Pool Backup, page 1200](#)
- [How to Configure Peer Pool Backup, page 1201](#)
- [Configuration Examples for Peer Pool Backup, page 1205](#)
- [Additional References, page 1208](#)
- [Command Reference, page 1210](#)



Prerequisites for Peer Pool Backup

The **peer pool backup** and **peer pool static** interface configuration commands introduced with the Asynchronous Line Monitoring feature work with IP address pools. Before beginning the configuration tasks, see the “[Related Documents](#)” section on page 1208 for information about IP address pooling configuration tasks.

Information About Peer Pool Backup

To configure Peer Pool Backup, you need to understand the following concepts:

- [Alternate Sources for IP Address Pools, page 1200](#)
- [Backup Pools to Prevent Local Pool Exhaustion, page 1200](#)
- [Limit Loading of Dynamic Pools, page 1200](#)
- [Peer Pool Backup Feature Interface Compatibility, page 1201](#)

Alternate Sources for IP Address Pools

The Asynchronous Line Monitoring feature is useful in large-scale dial-out environments with large numbers of independently controlled AAA servers that can make it difficult for the NAS to provide proper IP address pool resolution in the following cases:

- A new pool name is introduced by one of the AAA servers before that pool is set up on the NAS.
- An existing local pool becomes exhausted, but the owner of that AAA server has other pools that would be acceptable as an IP address source.

The Asynchronous Line Monitoring feature introduces two new interface configuration commands, **peer pool backup** and **peer pool static**, which allow you to define alternate sources for IP address pools in the event the original address pool is not present or is exhausted.

Backup Pools to Prevent Local Pool Exhaustion

The problems of pool name resolution and specific local pool exhaustion can be solved by configuring backup pool names on a per-interface basis using the **peer default ip address pool** and **peer pool backup** interface configuration commands. The **peer pool backup** command uses the local pool names configured with the **peer default ip address pool** interface configuration command to supplement the pool names supplied by AAA.

Limit Loading of Dynamic Pools

The **peer pool static** command controls attempts by the pool software to load dynamic pools in response to a pool request from a specific interface. These dynamic pools are loaded at system startup and refreshed whenever a pool name not configured on the NAS is specified for IP address allocation. Because the behavior of the NAS in response to a missing pool name can be changed using the **peer pool backup** interface configuration command, you can use the **peer pool static** command to control attempts to load all dynamic pools when the AAA-supplied pool name is not an existing local pool name.

Peer Pool Backup Feature Interface Compatibility

The Asynchronous Line Monitoring feature has been successfully tested at Cisco Systems in networks using ISDN, asynchronous, and digital subscriber line (DSL) interfaces.

How to Configure Peer Pool Backup

The following sections describe how to configure the Asynchronous Line Monitoring feature. Each task is identified as required or optional.

- [Configuring IP Pools, page 1201](#) (required)
- [Suppressing Dynamic Pool Load Attempts, page 1202](#) (required)
- [Verifying Asynchronous Line Monitoring feature, page 1203](#) (optional)

Configuring IP Pools

Perform the following task to create one or more local IP address pools and directs the pool software to use the local pool name that is configured with the **peer default ip address pool** interface configuration command, to supplement the pool names supplied by AAA.

SUMMARY STEPS

1. **enable**
2. **configure terminal**
3. **interface** *type number*
4. **peer pool backup**
5. **peer default ip address pool** *pool-name-list*
6. **exit**
7. **ip local pool** {*named-address-pool* | **default**} {*first-IP-address* [*last-IP-address*]} [**group** *group-name*] [**cache-size** *size*]
8. **exit**

DETAILED STEPS

	Command or Action	Purpose
Step 1	enable Example: Router> enable	Enables privileged EXEC mode. • Enter your password if prompted.
Step 2	configure terminal Example: Router# configure terminal	Enters global configuration mode.

	Command or Action	Purpose
Step 3	interface <i>type number</i> Example: Router(config)# interface serial 1:23	Specifies the interface and enters interface configuration mode.
Step 4	peer pool backup Example: Router(config-if)# peer pool backup	Directs the pool software to use the local pool name configured with the peer default ip address pool interface configuration command to supplement the pool names supplied by AAA.
Step 5	peer default ip address pool <i>pool-name-list</i> Example: Router(config-if)# peer default ip address pool pool3 pool4 pool5	Specifies a list of pools for the interface to use, in search order.
Step 6	exit Example: Router(config-if)# exit	Exits interface configuration mode and returns to global configuration mode.
Step 7	ip local pool { <i>named-address-pool</i> default } { <i>first-IP-address</i> [<i>last-IP-address</i>]} [group <i>group-name</i>] [cache-size <i>size</i>] Example: Router(config)# ip local pool pool3 10.4.4.2	Creates one or more local IP address pools.
Step 8	exit Example: Router(config)# exit	Exits configuration mode.

This task configures basic IP address pooling and pool backup. See the [“Configuration Examples for Peer Pool Backup”](#) section on page 1205 for additional configuration information.

Suppressing Dynamic Pool Load Attempts

Perform the following task to suppress an attempt to load all dynamic pools from the AAA server.

SUMMARY STEPS

1. **enable**
2. **configure terminal**
3. **interface** *type number*
4. **peer pool static**
5. **exit**

DETAILED STEPS

	Command or Action	Purpose
Step 1	enable Example: Router> enable	Enables privileged EXEC mode. <ul style="list-style-type: none"> Enter your password if prompted.
Step 2	configure terminal Example: Router# configure terminal	Enters global configuration mode.
Step 3	Router(config)# interface <i>type number</i> Example: Router(config)# interface Virtual-Template 1	Specifies the interface and enters interface configuration mode.
Step 4	Router(config-if)# peer pool static Example: Router(config-if)# peer pool static	Suppresses an attempt to load all dynamic pools from the AAA server.
Step 5	Router(config-if)# exit Example: Router(config-if)# exit	Exits interface configuration mode.

See the [“Configuration Examples for Peer Pool Backup”](#) section on page 1205 for additional configuration information.

Verifying Asynchronous Line Monitoring feature

Perform this task to verify that the **peer pool backup** command has been configured correctly. The report from the **debug ip peer** command indicates the order in which the pool software searches for IP address pools. The report should also indicate that only the backup IP address pools are searched; any attempt to load a dynamic IP address pool will be suppressed when the **peer pool static** command is configured, or if the pools were refreshed within the last two minutes.

SUMMARY STEPS

1. **enable**
2. **debug ip peer**

DETAILED STEPS

Step 1	enable Use this command to enter privileged EXEC mode. Enter your password if prompted. Router> enable
--------	--

Step 2 debug ip peer

Use this command to display a report about backup pool activity. Comments are enclosed within <angle brackets> and commands involved in the reports are in **bold text**.

```
Router# debug ip peer
```

```
*Jan1 02:11:10.455: Se0:22 AAA/AUTHOR/IPCP: Start.Her address 0.0.0.0, we want 0.0.0.0
*Jan1 02:11:10.455: Se0:22 AAA/AUTHOR/IPCP: Says use pool poolA
*Jan1 02:11:10.459: Se0:22: IPPPOOL: using pool poolA
*Jan1 02:11:10.459: Se0:22: Use AAA pools: poolA
< AAA-supplied pool name. >
*Jan1 02:11:10.459: Se0:22: Backup pools : back1 back2
< Determines pool names to use if address is not obtained from AAA pool name. >
< Only seen when the peer pool backup command is configured. >
< Pool name from peer default ip address pool back1 back2 command. >
*Jan1 02:11:10.459: Se0:22: Pools to search : poolA back1 back2
< Pools searched in the above order, AAA-supplied name first. >
*Jan1 02:11:10.459: Se0:22 AAA/AUTHOR/CONFIG: Pools refreshed for pool poolA
< Since pool poolA is missing, an attempt is made to load it as a >
< dynamic pool from AAA >
*Jan1 02:11:10.459: AAA/AUTHOR (0x5): Pick method list 'default'
.
.
.
*Jan1 02:11:10.475: Se0:22 AAA/AUTHOR/CONFIG: Set pool timeout to 2 mins
*Jan1 02:11:10.475: Se0:22 AAA/AUTHOR/CONFIG: Pool back1 refresh skipped
< Another dynamic pool load attempt was suppressed for pool "back1," which
< is also missing since software just loaded all dynamic pools when
< looking for pool poolA. >
*Jan1 02:11:10.475: Se0:22 AAA/AUTHOR/CONFIG: Pools refreshed 0 seconds ago
< Software tries to refresh the dynamic pools from AAA if 2 minutes have elapsed. >
*Jan1 02:11:10.475: Se0:22 AAA/AUTHOR/CONFIG: Pools will timeout in 2 mins
< The above message is due to the presence of some dynamic pools on AAA where
< these dynamic pools have a life time of 2 minutes; unrelated to the
< pools we are focusing on, but loaded in response to the dynamic load. >
*Jan1 02:11:10.475: Se0:22: Pool back2 returned address = 10.2.2.2
.
.
.
*Jan1 02:18:19.063: Se0:22 AAA/AUTHOR/IPCP: Says use pool poolA
*Jan1 02:18:19.063: Se0:22: IPPPOOL: using pool poolA
*Jan1 02:18:19.067: Se0:22: AAA pools to match: poolA
*Jan1 02:18:19.067: Se0:22: Configured pools: back1 back2 poolA
*Jan1 02:18:19.067: Se0:22: Matched AAA pools : poolA
*Jan1 02:18:19.067: Se0:22: Use AAA pools: poolA
*Jan1 02:18:19.067: Se0:22: Backup pools : back1 back2 poolA
*Jan1 02:18:19.067: Se0:22: Pools to search : poolA back1 back2
*Jan1 02:18:19.067: Se0:22: Dynamic IP pool loading suppressed: poolA
< No attempt is made to dynamically load pools, even if the pool >
< being processed ("poolA") is not present. This is due to the >
< peer pool static command; otherwise software would try to load >
< dynamic pools if they have not been load in the last 2 minutes. >
*Jan1 02:18:19.067: Se0:22: Dynamic IP pool loading suppressed: back1
*Jan1 02:18:19.067: Se0:22: Dynamic IP pool loading suppressed: back2
*Jan1 02:18:19.067: Se0:22: Pool back2 returned address = 10.2.2.2
```


Verifying That a Pool Was Not Skipped

When the IP pool backup configuration is verified, there may be a situation where the dynamic pools were recently refreshed and messages will indicate that pool refresh was not done. The following partial output from the **debug ip peer** command shows how this situation would be reported; comments are enclosed within <angle brackets> and commands involved in the reports are in **bold text**.

```
*Jan1 02:40:44.507: Se0:22 AAA/AUTHOR/IPCP: Says use pool poolA
*Jan1 02:40:44.507: Se0:22: IPPOOL: using pool poolA
*Jan1 02:40:44.507: Se0:22: Use AAA pools: poolA
*Jan1 02:40:44.507: Se0:22: Backup pools : back1 back2
*Jan1 02:40:44.511: Se0:22: Pools to search : poolA back1 back2
*Jan1 02:40:44.511: Se0:22 AAA/AUTHOR/CONFIG: Pool poolA refresh skipped
*Jan1 02:40:44.511: Se0:22 AAA/AUTHOR/CONFIG: Pools refreshed 84 seconds ago
< The peer pool static command was not configured, but software has already >
< refreshed dynamic pools from AAA in the last 2 minutes. >
*Jan1 02:40:44.511: Se0:22 AAA/AUTHOR/CONFIG: Pool back1 refresh skipped
*Jan1 02:40:44.511: Se0:22 AAA/AUTHOR/CONFIG: Pools refreshed 84 seconds ago
*Jan1 02:40:44.511: Se0:22 AAA/AUTHOR/CONFIG: Pools will timeout in 0 mins
*Jan1 02:40:44.511: Se0:22: Pool back2 returned address = 10.2.2.2
```

Monitoring and Maintaining Asynchronous Line Monitoring feature

To display statistics for any defined IP address pool, use the **show ip local pool EXEC** command.

Configuration Examples for Peer Pool Backup

This section provides the following configuration examples:

- [ISDN Pool Backup Configuration: Example, page 1205](#)
- [DSL Static Pool Backup Configuration: Example, page 1206](#)
- [Pool Backup with Local Restrictions Configuration: Example, page 1207](#)

ISDN Pool Backup Configuration: Example

In the following partial example, the IP address pools configured with the **peer default ip address pool** command are searched by the pool software in the event the original address pool is not present:

```
aaa new-model
aaa authentication ppp default group radius
aaa authorization exec default group radius
aaa authorization network default group radius
!
ip routing
isdn switch-type primary-5ess
!
controller t1 1
 framing esf
 clock source line primary
 linecode b8zs
 pri-group timeslots 1-24
!
interface serial 1:23
 ip address 10.4.4.1 255.255.255.0
 encapsulation ppp
 ppp authentication chap
 dialer-group 1
```

```

peer pool backup
peer default ip address pool pool3 pool4 pool5
isdn switch-type primary-5ess
.
.
.
dialer-list 1 protocol ip permit
ip local pool pool2 10.4.4.2
ip local pool pool3 10.4.4.3
ip local pool pool4 10.4.4.4
ip local pool pool5 10.4.4.5

```

DSL Static Pool Backup Configuration: Example

In the following partial example of a DSL network configuration, the **peer pool static** command prevents any attempt by the AAA server to load a dynamic IP address pool:

```

aaa new-model
aaa authentication ppp default group radius
aaa authorization exec default group radius
aaa authorization network default group radius
!
interface ATM0/0/0
no ip address
no ip directed-broadcast
no ip route-cache
no atm ilmi-keepalive
!
interface ATM0/0/0.2 point-to-point
pvc 8/36
encapsulation aal5snap
protocol pppoe
!
interface Ethernet0/0/1
ip address 10.1.1.8 255.255.255.0
no ip directed-broadcast
!
interface Virtual-Template 1
ip address 10.4.4.1 255.255.255.0
encapsulation ppp
ppp authentication chap
no ip directed-broadcast
peer pool static
peer default ip address pool pool3 pool4 pool5
!
ip classless
radius-server host 172.30.166.121
radius-server key lab
radius-server vsa send accounting
radius-server vsa send authentication
!
ip local pool pool2 10.4.4.2
ip local pool pool3 10.4.4.3
ip local pool pool4 10.4.4.4
ip local pool pool5 10.4.4.5

```

Pool Backup with Local Restrictions Configuration: Example

You can apply local restrictions on the use of a AAA-supplied pool name by using the **peer match aaa-pools** interface configuration command in the pool backup configuration. The **peer match aaa-pools** command allows you to specify that any AAA-supplied pool name must match one of the pool names supplied with the **peer default ip address pool** command.

In the following example, assume that there is a AAA-supplied IP address pool named poolA. When the **peer match aaa-pools** command is added to the configuration, the pool named poolA will not be used because it does not appear in the **peer default ip address pool** command; only the pools named pool1 and pool2 will be searched.

```
interface serial 1:23
 ip address 10.4.4.1 255.255.255.0
 encapsulation ppp
 ppp authentication chap
 dialer-group 1
 peer pool backup
 peer match aaa-pools
 peer default ip address pool pool1 pool2
 isdn switch-type primary-5ess
```

In the following example, a pool named poolA is added to the **peer default ip address pool** command list, so that now poolA will be used by the pool software and the search order will be poolA, pool1, and then pool2. The pool named poolA is used first because AAA-supplied data is always given precedence over local data.

```
interface serial 1:23
 ip address 10.4.4.1 255.255.255.0
 encapsulation ppp
 ppp authentication chap
 dialer-group 1
 peer pool backup
 peer match aaa-pools
 peer default ip address pool poolA pool1 pool2
 isdn switch-type primary-5ess
```

The **debug ip peer** command would show the following messages for these configurations (comments are in <angle brackets> and use **bold text** to indicate commands involved in the reports.):

```
*Jan1 02:08:23.919: Se0:22 AAA/AUTHOR/IPCP: Says use pool poolA
*Jan1 02:08:23.919: Se0:22: IPPOOL: using pool poolA
*Jan1 02:08:23.919: Se0:22: AAA pools to match: poolA
*Jan1 02:08:23.919: Se0:22: Configured pools: pool1 pool2
*Jan1 02:08:23.919: Se0:22: Matched AAA pools :
< The peer match aaa-pools command was specified, but pool named poolA was>
< not in the configured pool list, so the pool name provided by AAA is discarded >
*Jan1 02:08:23.919: Se0:22: Use AAA pools:
*Jan1 02:08:23.919: Se0:22: Backup pools : pool1 pool2
*Jan1 02:08:23.919: Se0:22: Pools to search : pool1 pool2
*Jan1 02:08:23.919: Se0:22 AAA/AUTHOR/CONFIG: Pools refreshed for pool pool1
*Jan1 02:08:23.919: Se0:22 AAA/AUTHOR/CONFIG: Pools refreshed for pool pool1
*Jan1 02:08:23.919: AAA/AUTHOR (0x3): Pick method list 'default'
.
.
.
*Jan1 02:08:23.967: Se0:22 AAA/AUTHOR/CONFIG: Set pool timeout to 2 mins
*Jan1 02:08:23.967: Se0:22 AAA/AUTHOR/CONFIG: Pools will timeout in 2 mins
*Jan1 02:08:23.967: Se0:22: Pool pool2 returned address = 10.2.2.2
*Jan1 02:08:23.967: Se0:22 AAA/AUTHOR/IPCP: Pool returned 10.2.2.2
```

Additional References

The following sections provide references related to the Asynchronous Line Monitoring feature feature.

Related Documents

Related Topics	Document Title
IP address pooling	<i>Cisco IOS Dial Technologies Configuration Guide</i> ; refer to the section “ Configuring IP Address Pooling ” in the chapter “Configuring Media-Independent PPP and Multilink PPP”

Standards

Standards	Title
None	—

MIBs

MIBs	MIBs Link
None	To locate and download MIBs for selected platforms, Cisco IOS releases, and feature sets, use Cisco MIB Locator found at the following URL: http://www.cisco.com/go/mibs

RFCs

RFCs	Title
None	—

Technical Assistance

Description	Link
<p>The Cisco Support website provides extensive online resources, including documentation and tools for troubleshooting and resolving technical issues with Cisco products and technologies.</p> <p>To receive security and technical information about your products, you can subscribe to various services, such as the Product Alert Tool (accessed from Field Notices), the Cisco Technical Services Newsletter, and Really Simple Syndication (RSS) Feeds.</p> <p>Access to most tools on the Cisco Support website requires a Cisco.com user ID and password.</p>	<p>http://www.cisco.com/techsupport</p>

Command Reference

The following commands are introduced or modified in the feature or features documented in this module. For information about these commands, see the *Cisco IOS Dial Technologies Command Reference* at http://www.cisco.com/en/US/docs/ios/dial/command/reference/dia_book.html. For information about all Cisco IOS commands, go to the Command Lookup Tool at <http://tools.cisco.com/Support/CLILookup> or to the *Cisco IOS Master Commands List*.

- **peer pool backup**
- **peer pool static**

Cisco and the Cisco Logo are trademarks of Cisco Systems, Inc. and/or its affiliates in the U.S. and other countries. A listing of Cisco's trademarks can be found at www.cisco.com/go/trademarks. Third party trademarks mentioned are the property of their respective owners. The use of the word partner does not imply a partnership relationship between Cisco and any other company. (1005R)

Any Internet Protocol (IP) addresses and phone numbers used in this document are not intended to be actual addresses and phone numbers. Any examples, command display output, network topology diagrams, and other figures included in the document are shown for illustrative purposes only. Any use of actual IP addresses or phone numbers in illustrative content is unintentional and coincidental.

© 2007–2009 Cisco Systems, Inc. All rights reserved.



Configuring per-User Configuration

This chapter describes per-user configuration, a large-scale dial solution. It includes the following main sections:

- [Per-User Configuration Overview](#)
- [How to Configure a AAA Server for Per-User Configuration](#)
- [Monitoring and Debugging Per-User Configuration Settings](#)
- [Configuration Examples for Per-User Configuration](#)

This set of features is supported on all platforms that support Multilink PPP (MLP).

A virtual access interface created dynamically for any user dial-in session is deleted when the session ends. The resources used during the session are returned for other dial-in uses.

When a specific user dials in to a router, the use of a per-user configuration from an authentication, authorization, and accounting (AAA) server requires that AAA is configured on the router and that a configuration for that user exists on the AAA server.

To identify the hardware platform or software image information associated with a feature, use the Feature Navigator on Cisco.com to search for information about the feature or refer to the software release notes for a specific release. For more information, see the “Identifying Supported Platforms” section in the “Using Cisco IOS Software” chapter.

For a complete description of the commands mentioned in this chapter, refer to the [Cisco IOS Dial Technologies Command Reference](#), Release 12.2 and the [Cisco IOS Security Command Reference](#), Release 12.2. To locate documentation of other commands that appear in this chapter, use the command reference master index or search online.

Per-User Configuration Overview

Per-user configuration provides a flexible, scalable, easily maintained solution for customers with a large number of dial-in users. This solution can tie together the following dial-in features:

- Virtual template interfaces, generic interface configuration and router-specific configuration information stored in the form of a virtual template interface that can be applied (*cloned*) to a virtual access interface each time any user dials in. This configuration is described in the chapter “Configuring Virtual Template Interfaces” in this publication.



- AAA per-user security and interface configuration information stored on a separate AAA server and sent by the AAA server to the access server or router in response to authorization requests during the PPP authentication phase. The per-user configuration information can add to or override the generic configuration on a virtual interface.
- Virtual profiles, which can use either or both of the two sources of information listed in the previous bullets for virtual interface configuration. When a user dials in, virtual profiles can apply the generic interface configuration and then apply the per-user configuration to create a unique virtual access interface for that user. This configuration is described in the chapter “Configuring Virtual Profiles” in this publication.

The per-user configuration feature provides these benefits:

- Maintenance ease for service providers with a large number of access servers and a very large number of dial-in users. Service providers need not update all their routers and access servers when user-specific information changes; instead, they can update one AAA server.
- Scalability. By separating generic virtual interface configuration on the router from the configuration for each individual, Internet service providers and other enterprises with large numbers of dial-in users can provide a uniquely configured interface for each individual user. In addition, by separating the generic virtual interface configuration from the physical interfaces on the router, the number and types of physical interfaces on the router or access server are not intrinsic barriers to growth.

General Operational Processes

In general, the per-user configuration process on the Cisco router or network access server proceeds as follows:

1. The user dials in.
2. The authentication and authorization phases occur.
 - a. If AAA is configured, the router sends an authorization request to the AAA server.
 - b. If the AAA server has information (attribute-value or AV pairs, or other configuration parameters) that defines a configuration for the specific user, the server includes it in the information in the approval response packet.

[Figure 1](#) illustrates the request and response part of the process that happens when a user dials in, given that AAA is configured and that the AAA server has per-user configuration information for the dial-in user.

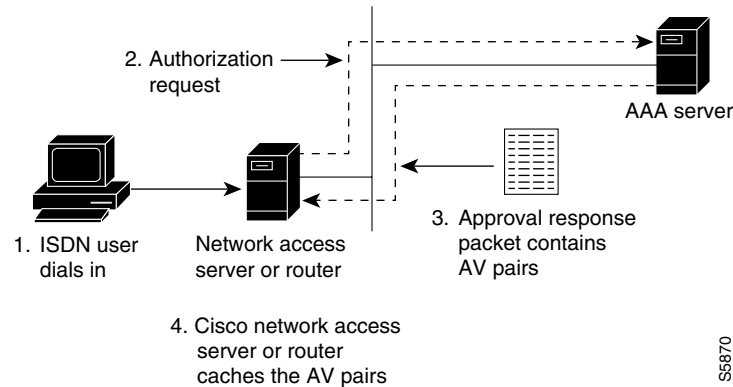
- c. The router looks for AV pairs in the AAA approval response.
- d. The router caches the configuration parameters.



Note

TACACS servers treat authentication and authorization as two phases; RADIUS servers combine authentication and authorization into a single step. For more detailed information, refer to your server documentation.

Figure 1 Per-User Configuration Authentication and Authorization



3. A virtual access interface is created for this user.
 - a. The router finds the virtual template that is set up for virtual profiles, if any, and applies the commands to the virtual access interface.
 - b. The router looks for the AV pairs to apply to this virtual access interface to configure it for the dial-in user.
 - c. The AV pairs are sent to the Cisco IOS command-line parser, which interprets them as configuration commands and applies them to configure this virtual access interface.

The result of this process is a virtual access interface configured uniquely for the dial-in user.

When the user ends the call, the virtual access interface is deleted and its resources are returned for other dial-in uses.



Note

The use of virtual profiles can modify the process that occurs between the user dial-in and the use of AAA configuration information. For more information, see the chapter “Configuring Virtual Profiles” in this publication.

Operational Processes with IP Address Pooling

During IP Control Protocol (IPCP) address negotiation, if an IP pool name is specified for a user, the network access server checks whether the named pool is defined locally. If it is, no special action is required and the pool is consulted for an IP address.

If the required pool is not present (either in the local configuration or as a result of a previous download operation), an authorization call to obtain it is made using the special username:

```
pools-nas-name
```

where *nas-name* is the configured name of the network access server. In response, the AAA server downloads the configuration of the required pool.

This pool username can be changed using Cisco IOS configuration, for example:

```
aaa configuration config-name nas1-pools-definition.cisco.us
```

This command has the effect of changing the username that is used to download the pool definitions from the default name “pools-nas-name” to “nas1-pools-definition.cisco.com.”

On a TACACS+ server, the entries for an IP address pool and a user of the pool might be as follows:

```
user = nas1-pools {
    service = ppp protocol = ip {
        pool-def#1 = "aaa 10.0.0.1 10.0.0.3"
        pool-def#2 = "bbb 10.1.0.1 10.1.0.10"
        pool-def#3 = "ccc 10.2.0.1 10.2.0.20"
        pool-timeout=60
    }
}

user = georgia {
    login = cleartext lab
    service = ppp protocol = ip {
        addr-pool=bbb
    }
}
```

On a RADIUS server, the entries for the same IP address pool and user would be as follows:

```
nas1-pools      Password = "cisco" User-Service-Type=Outbound-User
               cisco-avpair = "ip:pool-def#1=aaa 10.0.0.1 10.0.0.3",
               cisco-avpair = "ip:pool-def#2=bbb 10.1.0.1 10.1.0.10",
               cisco-avpair = "ip:pool-def#3=ccc 10.2.0.1 10.2.0.20",
               cisco-avpair = "ip:pool-timeout=60"

georgia Password = "lab"
        User-Service-Type = Framed-User,
        Framed-Protocol = PPP,
        cisco-avpair = "ip:addr-pool=bbb"
```



Note

This entry specifies a User-Service-Type of Outbound-User. This attribute is supplied by the network access server to prevent ordinary logins from using the well-known username and password combination of nas1-pools/cisco.

Pools downloaded to a Cisco network access server are not retained in nonvolatile memory and automatically disappear whenever the access server or router restarts. Downloaded pools can also be made to time out automatically by adding a suitable AV pair. For more information, see the section “Supported Attributes for AV Pairs” and the pool-timeout attribute in [Table 1](#). Downloaded pools are marked as *dynamic* in the output of the **show ip local pool** command.

Deleting Downloaded Pools

To delete downloaded pools, you can do either of the following:

- Manually delete the definition from the network access server. For example, if “bbb” is the name of a downloaded pool, you can enter the Cisco IOS **no ip local pool bbb** command.

Deleting a pool definition does not interrupt service for current users. If a pool is deleted and then redefined to include a pool address that is currently allocated, the new pool understands and tracks the address as expected.

- Set an AV pair pool-timeout value; this is a more desirable solution.

The pool-timeout AV pair starts a timer when the pool is downloaded. Once the timer expires, the pools are deleted. The next reference to the pools again causes an authorization call to be made, and the pool definition is downloaded again. This method allows definitions to be made and changed on the AAA server and propagated to network access servers.

Supported Attributes for AV Pairs

Table 1 provides a partial list of the Cisco-specific supported attributes for AV pairs that can be used for per-user virtual interface configuration. For complete lists of Cisco-specific, vendor-specific, and TACACS+ supported attributes, see the *Cisco IOS Security Configuration Guide* and *Cisco IOS Security Command Reference*.

Table 1 Partial List of Cisco-Specific Supported AV Pair Attributes

Attribute	Meaning
inacl#	An input access list definition. For IP, standard or extended access list syntax can be used, although you cannot mix them within a single list. For Internet Protocol Exchange (IPX), only extended syntax is recognized. The value of this attribute is the text that comprises the body of a named access list definition.
outacl# ¹	An output access list definition. For IP, standard or extended access list syntax can be used. For IPX, only extended syntax is recognized. The value of this attribute is the text that comprises the body of a named access list definition.
rte-fltr-in#	An input route filter. For IP, standard or extended access list syntax can be used, although you cannot mix them within a single list. For IPX, only extended syntax is recognized. The first line of this filter must specify a routing process. Subsequent lines comprise the body of a named access list.
rte-fltr-out#	An output route filter. For IP, standard or extended access list syntax can be used, although you cannot mix them within a single list. For IPX, only extended syntax is recognized. The first line of this filter must specify a routing process. Subsequent lines comprise the body of a named access list.
route# ²	Static routes, for IP and IPX. The value is text of the form <i>destination-address mask [gateway]</i> .
sap#	IPX static Service Advertising Protocol (SAP). The value is text from the body of an ipx sap configuration command.
sap-fltr-in#	IPX input SAP filter. Only extended access list syntax is recognized. The value is text from the body of an extended IPX access-list configuration command. (The Novell socket number for SAP filtering is 452.)
sap-fltr-out#	IPX output SAP filter. Only extended access-list command syntax is recognized. The value is text from the body of an extended IPX access-list configuration command.
pool-def#	An IP pool definition. The value is text from the body of an ip local pool configuration command.
pool-timeout	An IP pool definition. The body is an integer representing a timeout, in minutes.

1. The “outacl” attribute still exists and retains its old meaning.
2. The “route” attribute, without a trailing #, is still recognized for backward compatibility with the TACACS+ protocol specification, but if multiple static routes are required in TACACS+, full “route#” names will need to be employed.

Table 2 provides examples for each attribute on an AAA TACACS+ server.

Table 2 TACACS+ Server AV Pair Examples for Each Attribute

Attribute	TACACS+ Server Examples
inacl#	IP: inacl#3="permit ip any any precedence immediate" inacl#4="deny igrp 10.0.1.2 255.255.0.0 any" IPX: inacl#1="deny 3C01.0000.0000.0001" inacl#2="deny 4C01.0000.0000.0002"
outacl#	outacl#2="permit ip any any precedence immediate" outacl#3="deny igrp 10.0.9.10 255.255.0.0 any"
rte-fltr-in#	IP: rte-fltr-in#1="router igrp 60" rte-fltr-in#3="permit 10.0.3.4 255.255.0.0" rte-fltr-in#4="deny any" IPX: rte-fltr-in#1="deny 3C01.0000.0000.0001" rte-fltr-in#2="deny 4C01.0000.0000.0002"
rte-fltr-out#	rte-fltr-out#1="router igrp 60" rte-fltr-out#3="permit 10.0.5.6 255.255.0.0" rte-fltr-out#4="permit any"
route#	IP: route#1="10.0.0.0 255.0.0.0 1.2.3.4" route#2="10.1.0.0 255.0.0.0" IPX: route#1="4C000000 ff000000 10.12.3.4" route#2="5C000000 ff000000 10.12.3.5"
sap#	sap#1="4 CE1-LAB 1234.0000.0000.0001 451 4" sap#2="5 CE3-LAB 2345.0000.0000.0001 452 5"
sap-fltr-in#	sap-fltr-in#1="deny 6C01.0000.0000.0001" sap-fltr-in#2="permit -1"
sap-fltr-out#	sap-fltr-out#1="deny 6C01.0000.0000.0001" sap-fltr-out#2="permit -1"
pool-def#	pool-def#1 = "aaa 10.0.0.1 1.0.0.3" pool-def#2 = "bbb 10.1.0.1 2.0.0.10" pool-def#3 = "ccc 10.2.0.1 3.0.0.20"
pool-timeout	pool-timeout=60

Table 3 provides examples for each attribute on an AAA RADIUS server.

Table 3 RADIUS Server AV Pair Examples for Each Attribute

Attribute	RADIUS Server Examples
lcp:interface-config ¹	cisco-avpair = "lcp:interface-config=ip address 10.0.0.0 255.255.255.0",
inacl#	cisco-avpair = "ip:inacl#3=permit ip any any precedence immediate", cisco-avpair = "ip:inacl#4=deny igrp 10.0.1.2 255.255.0.0 any",

Table 3 RADIUS Server AV Pair Examples for Each Attribute (continued)

Attribute	RADIUS Server Examples
outacl#	cisco-avpair = "ip:outacl#2=permit ip any any precedence immediate", cisco-avpair = "ip:outacl#3=deny igrp 10.0.9.10 255.255.0.0 any",
rte-fltr-in#	IP: cisco-avpair = "ip:rte-fltr-in#1=router igrp 60", cisco-avpair = "ip:rte-fltr-in#3=permit 10.0.3.4 255.255.0.0", cisco-avpair = "ip:rte-fltr-in#4=deny any", IPX: cisco-avpair = "ipx:rte-fltr-in=deny 3C01.0000.0000.0001",
rte-fltr-out#	cisco-avpair = "ip:rte-fltr-out#1=router igrp 60", cisco-avpair = "ip:rte-fltr-out#3=permit 10.0.5.6 255.255.0.0", cisco-avpair = "ip:rte-fltr-out#4=permit any",
route#	IP: cisco-avpair = "ip:route=3.10.0.0 255.0.0.0 1.2.3.4", cisco-avpair = "ip:route=4.10.0.0 255.0.0.0", IPX: cisco-avpair = "ipx:route=4C000000 ff000000 10.12.3.4", cisco-avpair = "ipx:route=5C000000 ff000000 10.12.3.5"
sap#	cisco-avpair = "ipx:sap=4 CE1-LAB 1234.0000.0000.0001 451 4", cisco-avpair = "ipx:sap=5 CE3-LAB 2345.0000.0000.0001 452 5",
sap-fltr-in#	cisco-avpair = "ipx:sap-fltr-in=deny 6C01.0000.0000.0001", cisco-avpair = "ipx:sap-fltr-in=permit -1"
sap-fltr-out#	cisco-avpair = "ipx:sap-fltr-out=deny 6C01.0000.0000.0001", cisco-avpair = "ipx:sap-fltr-out=permit -1"
pool-def#	cisco-avpair = "ip:pool-def#1=aaa 10.0.0.1 1.0.0.3", cisco-avpair = "ip:pool-def#2=bbb 10.1.0.1 2.0.0.10", cisco-avpair = "ip:pool-def#3=ccc 10.2.0.1 3.0.0.20",
pool-timeout	cisco-avpair = "ip:pool-timeout=60"

1. This attribute is specific to RADIUS servers. It can be used to add Cisco IOS interface configuration commands to specific user configuration information.

How to Configure a AAA Server for Per-User Configuration

The configuration requirements and the structure of per-user configuration information is set by the specifications of each type of AAA server. Refer to your server documentation for more detailed information. The following sections about TACACS and RADIUS servers are specific to per-user configuration:

- [Configuring a Freeware TACACS Server for Per-User Configuration](#) (As required)
- [Configuring a CiscoSecure TACACS Server for Per-User Configuration](#) (As required)
- [Configuring a RADIUS Server for Per-User Configuration](#) (As required)

See the section [“Monitoring and Debugging Per-User Configuration Settings”](#) later in this chapter for tips on troubleshooting per-user configuration settings. See the section [“Configuration Examples for Per-User Configuration”](#) at the end of this chapter for examples of configuring RADIUS and TACACS servers.

Configuring a Freeware TACACS Server for Per-User Configuration

On a TACACS server, the entry in the user file takes a standard form. In the freeware version of TACACS+, the following lines appear in order:

- “User =” followed by the username, a space, and an open brace
- Authentication parameters
- Authorization parameters
- One or more AV pairs
- End brace on a line by itself

The general form of a freeware TACACS user entry is shown in the following example:

```
user = username {
    authentication parameters go here
    authorization parameters go here
}
```

The freeware TACACS user entry form is also shown by the following examples for specific users:

```
user= Router1
    Password= cleartext welcome
    Service= PPP protocol= ip {
        ip:route=10.0.0.0 255.0.0.0
        ip:route=10.1.0.0 255.0.0.0
        ip:route=10.2.0.0 255.0.0.0
        ip:inac1#5=deny 10.5.0.1
    }

user= Router2
    Password= cleartext lab
    Service= PPP protocol= ip {
        ip:addr-pool=bbb
    }
```

For more requirements and detailed information, refer to your AAA server documentation.

Configuring a CiscoSecure TACACS Server for Per-User Configuration

The format of an entry in the user file in the AAA database is generally name = value. Some values allow additional subparameters to be specified and, in these cases, the subparameters are enclosed in braces ({}). The following simple example depicts an AAA database showing the default user, one group, two users that belong to the group, and one user that does not:

```
# Sample AA Database 1
unknown_user = {
    password = system #Use the system's password file (/etc/passwd)
}
group = staff {
    # Password for staff who do not have their own.
    password = des "sefjkAlM7zybE"
    service = shell {
        # Allow any commands with any attributes.
        default cmd = permit
        default attribute = permit
    }
}
user = joe { # joe uses the group password.
```

```

    member = "staff"
}
user = pete { # pete has his own password.
    member = "staff"
    password = des "alkd9Ujiqp2y"
}
user = anita {
    # Use the "default" user password mechanism defined above.
    service = shell {
        cmd = telnet { # Allow Telnet to any destination
        }
    }
}
}

```

For more information about the requirements and details of configuring the CiscoSecure server, see the *CiscoSecure UNIX Server User Guide*.

Configuring a RADIUS Server for Per-User Configuration

On a RADIUS server, the format of an entry in the users file includes the following lines in order:

- Username and password
- User service type
- Framed protocol
- One or more AV pairs



Note

All these AV pairs are vendor specific. To use them, RADIUS servers must support the use of vendor-specific AV pairs. Patches for some servers are available from the Cisco Consulting Engineering (CE) customer-support organization.

The structure of an AV pair for Cisco platforms starts with *cisco-avpair* followed by a space, an equal sign, and another space. The rest of the line is within double quotation marks and, for all lines but the last, ends with a comma. Inside the double quotation marks is a phrase indicating the supported attribute, another equal sign, and a Cisco IOS command. The following examples show two different partial user configurations on a RADIUS server.

Router1

```

Password = "welcome"
User-Service-Type = Framed-User,
Framed-Protocol = PPP,
cisco-avpair = "ip:route=10.0.0.0 255.0.0.0",
cisco-avpair = "ip:route=10.1.0.0 255.0.0.0",
cisco-avpair = "ip:route=10.2.0.0 255.0.0.0",
cisco-avpair = "ip:inacl#5=deny 10.5.0.1"

```

Router2

```

Password = "lab"
User-Service-Type = Framed-User,
Framed-Protocol = PPP,
cisco-avpair = "ip:addr-pool=bbb"

```

Monitoring and Debugging Per-User Configuration Settings

Per-user configuration information exists on AAA servers only and is configured there, as described in the “[How to Configure a AAA Server for Per-User Configuration](#)” section.

For more information about configuring an application that can tie AAA per-user configuration information to generic interface and router configuration, see the chapter “[Configuring Virtual Profiles](#)” in this publication. Virtual profiles are required for combining per-user configuration information and generic interface and router configuration information to create virtual access interfaces for individual ISDN B channels.

However, you can monitor and debug the per-user configuration settings on the router or access server that are set from an AAA server. [Table 4](#) indicates some of the commands to use for each attribute.

Table 4 *Monitoring and Debugging Per-User Configuration Commands*

Attribute	show Commands	debug Commands
inacl# outacl#	show ip access-list show ip interface <i>interface</i> show ipx access-list show ipx interface	debug aaa authorization debug aaa per-user
rte-fltr-in# rte-fltr-out#	show ip access-list show ip protocols	debug aaa authorization debug aaa per-user
route#	show ip route show ipx route	debug aaa authorization debug aaa per-user
sap#	show ipx servers	debug aaa authorization debug aaa per-user
sap-fltr-in# sap-fltr-out#	show ipx access-list show ipx interface	debug aaa authorization debug aaa per-user
pool-def# pool-timeout	show ip local pool [<i>name</i>]	—

Configuration Examples for Per-User Configuration

The following sections provide two comprehensive examples:

- [TACACS+ Freeware Examples](#)
- [RADIUS Examples](#)

These examples show router or access server configuration and AV pair configuration on an AAA server.

TACACS+ Freeware Examples

This section provides the TACACS+ freeware versions of the following examples:

- [IP Access Lists and Static Routes Using Virtual Profiles over ISDN BRI](#)
- [IPX Per-User SAP Filters Using IPXWAN and Virtual Profiles by a Synchronous Interface](#)

IP Access Lists and Static Routes Using Virtual Profiles over ISDN BRI

The following example provides configurations for the TACACS+ freeware daemon, the network access server, and the peer router named Router1. On the TACACS+ AAA server, peer router Router1 has a configuration that includes static routes and IP access lists.

TACACS+ Freeware Daemon Configuration File

```
key = tac123
user = Router1 {
global = cleartext welcome
service = ppp protocol = ip {
route#1="10.0.0.0 255.0.0.0"
route#2="10.1.0.0 255.0.0.0"
route#3="10.2.0.0 255.0.0.0"
inacl#1="deny 10.5.0.1"
}
}
```

Current Network Access Server Configuration

```
version 11.3
service timestamps debug datetime localtime
service udp-small-servers
service tcp-small-servers
!
hostname Router2
!
aaa new-model
aaa authentication ppp default tacacs+
aaa authorization network tacacs+
enable secret 5 $1$koOn$/1QAylov6JFAElxRCrL.o/
enable password lab
!
username Router1 password 7 15050E0007252621
ip host Router2 172.21.114.132
ip domain-name cisco.com
ip name-server 172.19.2.132
ip name-server 192.168.30.32
isdn switch-type basic-5ess
interface Ethernet 0
 ip address 172.21.114.132 255.255.255.224
 no ip mroute-cache
 media-type 10BaseT
!

interface Virtual-Template1
 ip unnumbered Ethernet0
 no cdp enable
!
!
interface BRI0
 ip unnumbered Ethernet0
 no ip mroute-cache
 encapsulation ppp
 no ip route-cache
 dialer idle-timeout 300
 dialer map ip 10.5.0.1 name Router1 broadcast 61482
 dialer-group 1
 no fair-queue
 ppp authentication chap
!
!
```

```

ip default-gateway 172.21.114.129
no ip classless
ip route 0.0.0.0 0.0.0.0 172.21.114.129
!
virtual-profile virtual-template 1
dialer-list 1 protocol ip permit
tacacs-server host 172.21.114.130
tacacs-server key tac123

```

Current Peer Configuration for Router1

```

version 11.3
no service pad
!
hostname Router1
!
enable secret 5 $1$m1WK$RsjborN1Z.XZuFqsrtSnp/
enable password lab
!
username Router2 password 7 051C03032243430C
ip host Router1 172.21.114.134
ip domain-name cisco.com
ip name-server 172.19.2.132
ip name-server 192.168.30.32
isdn switch-type basic-5ess
!
interface Ethernet0
 ip address 172.21.114.134 255.255.255.224
 no ip route-cache
 shutdown
!
interface BRI0
 ip address 10.5.0.1 255.0.0.0
 encapsulation ppp
 dialer map ip 172.21.114.132 name Router2 broadcast 61483
 dialer-group 1
 no fair-queue
!
ip default-gateway 172.21.114.129
no ip classless
ip route 172.21.0.0 255.255.0.0 BRI0
dialer-list 1 protocol ip permit
!
line con 0
 exec-timeout 0 0
line vty 0 4
 password lab
 login
end

```

IPX Per-User SAP Filters Using IPXWAN and Virtual Profiles by a Synchronous Interface

The following example provides configurations for the TACACS+ daemon and the peer router named Router1. On the TACACS+ AAA server, user ny has a configuration that includes inbound and outbound SAP filters.

TACACS+ Freeware Daemon Configuration File for User

```
key = tac123
user = Router1 {
  global = cleartext welcome
  service = ppp protocol = ipx {
    sap="101 CYBER-01 40.0000.0000.0001 400 10"
    sap="202 CYBER-02 40.0000.0000.0001 401 10"
    sap="303 CYBER-03 40.0000.0000.0001 402 10"
    sap-fltr-out#1="deny 40 101"
    sap-fltr-out#2="deny 40 202"
    sap-fltr-out#3="permit -1"
    sap-fltr-in#1="permit 30 444"
    sap-fltr-in#2="deny -1"
```

Current Remote Peer (Router1) Configuration

```
version 11.3
!
hostname Router1
!
enable password lab
!
username Router2 password 7 140017070F0B272E
ip host Router1 172.21.114.131
ip name-server 172.19.2.132
ip name-server 192.168.30.32
ipx routing 0000.0c47.090d
ipx internal-network 30
!
interface Ethernet0
  ip address 172.21.114.131 255.255.255.224
!
interface Serial1
  no ip address
  encapsulation ppp
  ipx ipxwan 0 unnumbered peer-Router1
  clockrate 4000000
!
ipx sap 444 ZEON-4 30.0000.0000.0001 444 10
ipx sap 555 ZEON-5 30.0000.0000.0001 555 10
ipx sap 666 ZEON-6 30.0000.0000.0001 666 10
!
Current Network Access Server (Router2) Configuration
version 11.3
service timestamps debug uptime
!
hostname Router2
!
aaa new-model
aaa authentication ppp default tacacs+
aaa authorization network tacacs+
enable password lab
!
username Router1 password 7 044C0E0A0C2E414B
ip host LA 172.21.114.133
ip name-server 192.168.30.32
```

```

ip name-server 172.19.2.132
ipx routing 0000.0c47.12d3
ipx internal-network 40
!
interface Ethernet0
 ip address 172.21.114.133 255.255.255.224
!
interface Virtual-Template1
 no ip address
 ipx ipxwan 0 unnumbered nas-Router2
 no cdp enable
!
interface Serial1
 ip unnumbered Ethernet0
 encapsulation ppp
 ipx ipxwan 0 unnumbered nas-Router2
 ppp authentication chap
!
ipx sap 333 DEEP9 40.0000.0000.0001 999 10
!
virtual-profile virtual-template 1
tacacs-server host 172.21.114.130
tacacs-server key tac123

```

RADIUS Examples

This section provides the RADIUS versions of the following examples:

- [IP Access Lists and Static Routes Using Virtual Profiles over ISDN BRI](#)
- [IPX Per-User SAP Filters Using IPXWAN and Virtual Profiles by a Synchronous Interface](#)

IP Access Lists and Static Routes Using Virtual Profiles over ISDN BRI

The following example shows a remote peer (Router1) configured to dial in to a BRI on a Cisco network access server (Router2), which requests user configuration information from an AAA server (radiusd):

RADIUS User File (Router1)

```

Password = "welcome"
User-Service-Type = Framed-User,
Framed-Protocol = PPP,
cisco-avpair = "ip:route=10.1.0.0 255.0.0.0",
cisco-avpair = "ip:route=10.2.0.0 255.0.0.0",
cisco-avpair = "ip:route=10.3.0.0 255.0.0.0",
cisco-avpair = "ip:inacl#5=deny 10.0.0.1"

```

Current Network Access Server Configuration

```

version 11.3
service timestamps debug datetime localtime
service udp-small-servers
service tcp-small-servers
!
hostname Router2
!
aaa new-model
aaa authentication ppp default radius
aaa authorization network radius
enable secret 5 $1$koOn$/1QAylov6JFAElxRCrL.o/
enable password lab

```

```

!
username Router1 password 7 15050E0007252621
ip host Router2 172.21.114.132
ip domain-name cisco.com
ip name-server 172.19.2.132
ip name-server 192.168.30.32
isdn switch-type basic-5ess
interface Ethernet0
  ip address 172.21.114.132 255.255.255.224
  no ip mroute-cache
  media-type 10BaseT
!
interface Virtual-Template1
  ip unnumbered Ethernet0
  no cdp enable
!
interface BRI0
  ip unnumbered Ethernet0
  no ip mroute-cache
  encapsulation ppp
  no ip route-cache
  dialer idle-timeout 300
  dialer map ip 10.5.0.1 name Router1 broadcast 61482
  dialer-group 1
  no fair-queue
  ppp authentication chap
!
ip default-gateway 172.21.114.129
no ip classless
ip route 0.0.0.0 0.0.0.0 172.21.114.129
!
virtual-profile vtemplate 1
dialer-list 1 protocol ip permit
radius-server host 172.21.114.130
radius-server key rad123

```

Current Peer Configuration for Router1

```

version 11.3
no service pad
!
hostname Router1
!
enable secret 5 $1$m1WK$RsjborN1Z.XZuFqsrtSnp/
enable password lab
!
username Router2 password 7 051C03032243430C
ip host Router1 172.21.114.134
ip domain-name cisco.com
ip name-server 172.19.2.132
ip name-server 192.168.30.32
isdn switch-type basic-5ess
!
interface Ethernet0
  ip address 172.21.114.134 255.255.255.224
  no ip route-cache
  shutdown
!
interface BRI0
  ip address 10.5.0.1 255.0.0.0
  encapsulation ppp
  dialer map ip 172.21.114.132 name Router2 broadcast 61483
  dialer-group 1
  no fair-queue

```

```

!
ip default-gateway 172.21.114.129
no ip classless
ip route 172.21.0.0 255.255.0.0 BRIO
dialer-list 1 protocol ip permit
!
line con 0
  exec-timeout 0 0
line vty 0 4
  password lab
  login
!
end

```

Output of ping Command from Router1

```
Router1# ping 172.21.114.132
```

```

Type escape sequence to abort.
Sending 5, 100-byte ICMP Echos to 172.21.114.132, timeout is 2 seconds:
U.U.U
Success rate is 0 percent (0/5)

(fails due to access list deny)

```

RADIUS Debug Output

```

radrecv: Request from host ac157284 code=1, id=46, length=67
  Client-Id = 172.21.114.132
  Client-Port-Id = 1112670208
  User-Name = "Router1"
  CHAP-Password = "\037\317\213\326*\236)#+\266\243\255x\331\370v\334"
  User-Service-Type = Framed-User
  Framed-Protocol = PPP
Sending Ack of id 46 to ac157284 (172.21.114.132)
  User-Service-Type = Framed-User
  Framed-Protocol = PPP
  [Vendor 9] cisco-avpair = "ip:route=10.0.0.0 255.0.0.0"
  [Vendor 9] cisco-avpair = "ip:route=10.1.0.0 255.0.0.0"
  [Vendor 9] cisco-avpair = "ip:route=10.2.0.0 255.0.0.0"
  [Vendor 9] cisco-avpair = "ip:inacl#5=deny 10.0.0.1"

```

Network Access Server (Router2) show and debug Command Output

```
Router2# show debug
```

```

General OS:
  AAA Authorization debugging is on
PPP:
  PPP authentication debugging is on
  Multilink activity debugging is on
ISDN:
  ISDN events debugging is on
Dial on demand:
  Dial on demand events debugging is on
VTEMPLATE:
  Virtual Template debugging is on

pr 4 08:30:09: ISDN BR0: received HOST_INCOMING_CALL
  Bearer Capability i = 0x080010
*Apr 4 08:30:09: -----
  Channel ID i = 0x0101
*Apr 4 08:30:09: IE out of order or end of 'private' IEs --
  Bearer Capability i = 0x8890

```

```

*Apr 4 08:30:09:          Channel ID i = 0x89
*Apr 4 08:30:09:          Called Party Number i = 0xC1, '61483'
*Apr 4 08:30:09: ISDN BR0: Event: Received a call from <unknown> on B1 at 64 Kb/s
*Apr 4 08:30:09: ISDN BR0: Event: Accepting the call
%LINK-3-UPDOWN: Interface BRI0:1, changed state to up
*Apr 4 08:30:09: ISDN BR0: received HOST_CONNECT
          Channel ID i = 0x0101
*Apr 4 08:30:09:          -----
          Channel ID i = 0x89
*Apr 4 08:30:09: ISDN BR0: Event: Connected to <unknown> on B1 at 64 Kb/s
*Apr 4 08:30:09: PPP BRI0:1: Send CHAP challenge id=30 to remote
*Apr 4 08:30:10: PPP BRI0:1: CHAP response received from Router1
*Apr 4 08:30:10: PPP BRI0:1: CHAP response id=30 received from Router1
*Apr 4 08:30:10: AAA/AUTHOR/LCP: authorize LCP
*Apr 4 08:30:10: AAA/AUTHOR/LCP: BRI0:1: (0): user='Router1'
*Apr 4 08:30:10: AAA/AUTHOR/LCP: BRI0:1: (0): send AV service=ppp
*Apr 4 08:30:10: AAA/AUTHOR/LCP: BRI0:1: (0): send AV protocol=lcp
*Apr 4 08:30:10: AAA/AUTHOR/LCP: BRI0:1: (2084553184): Method=RADIUS
*Apr 4 08:30:10: AAA/AUTHOR (2084553184): Post authorization status = PASS_ADD
*Apr 4 08:30:10: PPP BRI0:1: Send CHAP success id=30 to remote
*Apr 4 08:30:10: PPP BRI0:1: remote passed CHAP authentication.
*Apr 4 08:30:10: VTEMPLATE Reuse vaccess1, New Recycle queue size:0

*Apr 4 08:30:10: VTEMPLATE set default vaccess1 with no ip address

*Apr 4 08:30:10: Virtual-Access1 VTEMPLATE hardware address 0000.0c46.154a
*Apr 4 08:30:10: VTEMPLATE vaccess1 has a new cloneblk vtemplate, now it has vtemplate
*Apr 4 08:30:10: VTEMPLATE undo default settings vaccess1

*Apr 4 08:30:10: VTEMPLATE ***** CLONE VACCESS1 *****Apr 4
08:30:10: VTEMPLATE Clone from vtemplatel1 to vaccess1
interface Virtual-Access1
no ip address
encap ppp
ip unnumbered ethernet 0
end

%LINK-3-UPDOWN: Interface Virtual-Access1, changed state to up
*Apr 4 08:30:10: AAA/AUTHOR/LCP: authorize LCP
*Apr 4 08:30:10: AAA/AUTHOR/LCP: Virtual-Access1: (0): user='Router1'
*Apr 4 08:30:10: AAA/AUTHOR/LCP: Virtual-Access1: (0): send AV service=ppp
*Apr 4 08:30:10: AAA/AUTHOR/LCP: Virtual-Access1: (0): send AV protocol=lcp
*Apr 4 08:30:10: AAA/AUTHOR/LCP: Virtual-Access1: (1338953760): Method=RADIUS
*Apr 4 08:30:10: AAA/AUTHOR (1338953760): Post authorization status = PASS_ADD
*Apr 4 08:30:10: AAA/AUTHOR/FSM: Virtual-Access1: (0): can we start IPCP?
*Apr 4 08:30:10: AAA/AUTHOR/FSM: Virtual-Access1: (0): user='Router1'
*Apr 4 08:30:10: AAA/AUTHOR/FSM: Virtual-Access1: (0): send AV service=ppp
*Apr 4 08:30:10: AAA/AUTHOR/FSM: Virtual-Access1: (0): send AV protocol=ip
*Apr 4 08:30:10: AAA/AUTHOR/FSM: Virtual-Access1: (1716082074): Method=RADIUS
*Apr 4 08:30:10: AAA/AUTHOR (1716082074): Post authorization status = PASS_ADD
*Apr 4 08:30:10: AAA/AUTHOR/FSM: Virtual-Access1: we can start IPCP (0x8021)
*Apr 4 08:30:10: MLP Bad link Virtual-Access1
*Apr 4 08:30:10: AAA/AUTHOR/FSM: Virtual-Access1: (0): can we start UNKNOWN?
*Apr 4 08:30:10: AAA/AUTHOR/FSM: Virtual-Access1: (0): user='Router1'
*Apr 4 08:30:10: AAA/AUTHOR/FSM: Virtual-Access1: (0): send AV service=ppp
*Apr 4 08:30:10: AAA/AUTHOR/FSM: Virtual-Access1: (0): send AV protocol=unknown
*Apr 4 08:30:10: AAA/AUTHOR/FSM: Virtual-Access1: (2526612868): Method=RADIUS
*Apr 4 08:30:10: AAA/AUTHOR (2526612868): Post authorization status = PASS_ADD
*Apr 4 08:30:10: AAA/AUTHOR/FSM: Virtual-Access1: we can start UNKNOWN (0x8207)
*Apr 4 08:30:10: MLP Bad link Virtual-Access1
*Apr 4 08:30:10: BRI0:1: Vaccess started from dialer_remote_name
*Apr 4 08:30:10: AAA/AUTHOR/FSM: BRI0:1: (0): can we start IPCP?
*Apr 4 08:30:10: AAA/AUTHOR/FSM: BRI0:1: (0): user='Router1'
*Apr 4 08:30:10: AAA/AUTHOR/FSM: BRI0:1: (0): send AV service=ppp

```

```

*Apr 4 08:30:10: AAA/AUTHOR/FSM: BRI0:1: (0): send AV protocol=ip
*Apr 4 08:30:10: AAA/AUTHOR/FSM: BRI0:1: (3920403585): Method=RADIUS
*Apr 4 08:30:10: AAA/AUTHOR (3920403585): Post authorization status = PASS_ADD
*Apr 4 08:30:10: AAA/AUTHOR/FSM: BRI0:1: we can start IPCP (0x8021)
*Apr 4 08:30:10: AAA/AUTHOR/FSM: BRI0:1: (0): can we start UNKNOWN?
*Apr 4 08:30:10: AAA/AUTHOR/FSM: BRI0:1: (0): user='Router1'
*Apr 4 08:30:10: AAA/AUTHOR/FSM: BRI0:1: (0): send AV service=ppp
*Apr 4 08:30:10: AAA/AUTHOR/FSM: BRI0:1: (0): send AV protocol=unknown
*Apr 4 08:30:10: AAA/AUTHOR/FSM: BRI0:1: (3439943223): Method=RADIUS
*Apr 4 08:30:10: AAA/AUTHOR (3439943223): Post authorization status = PASS_ADD
*Apr 4 08:30:10: AAA/AUTHOR/FSM: BRI0:1: we can start UNKNOWN (0x8207)
%LINEPROTO-5-UPDOWN: Line protocol on Interface BRI0:1, changed state to up
%LINEPROTO-5-UPDOWN: Line protocol on Interface Virtual-Access1, changed state to up
*Apr 4 08:30:13: AAA/AUTHOR/IPCP: Virtual-Access1: start: her address 10.0.0.1, we want
0.0.0.0
*Apr 4 08:30:13: AAA/AUTHOR/IPCP: Virtual-Access1: (0): user='Router1'
*Apr 4 08:30:13: AAA/AUTHOR/IPCP: Virtual-Access1: (0): send AV servi*Apr 4 08:30:13:
AAA/AUTHOR/IPCP: Virtual-Access1: (0): send AV service=ppp
*Apr 4 08:30:13: AAA/AUTHOR/IPCP: Virtual-Access1: (0): send AV protocol=ip
*Apr 4 08:30:13: AAA/AUTHOR/IPCP: Virtual-Access1: (0): send AV addr*10.0.0.1
*Apr 4 08:30:13: AAA/AUTHOR/IPCP: Virtual-Access1: (3215797579): Method=RADIUS
*Apr 4 08:30:13: AAA/AUTHOR (3215797579): Post authorization status = PASS_ADD
*Apr 4 08:30:13: AAA/AUTHOR/IPCP: Virtual-Access1: Processing AV service=ppp
*Apr 4 08:30:13: AAA/AUTHOR/IPCP: Virtual-Access1: Processing AV protocol=ip
*Apr 4 08:30:13: AAA/AUTHOR/IPCP: Virtual-Access1: Processing AV addr*10.0.0.1
*Apr 4 08:30:13: AAA/AUTHOR/IPCP: Virtual-Access1: Processing AV route=10.1.0.0 255.0.0.0
*Apr 4 08:30:13: AAA/AUTHOR/IPCP: Virtual-Access1: Processing AV route=10.2.0.0 255.0.0.0
*Apr 4 08:30:13: AAA/AUTHOR/IPCP: Virtual-Access1: Processing AV route=10.3.0.0 255.0.0.0
*Apr 4 08:30:13: AAA/AUTHOR/IPCP: Virtual-Access1: Processing AV inacl#5=deny 10.0.0.1
*Apr 4 08:30:13: AAA/AUTHOR/IPCP: Virtual-Access1: authorization succeeded
*Apr 4 08:30:13: AAA/AUTHOR/IPCP: Virtual-Access1: done: her address 10.0.0.1, we want
10.0.0.1
*Apr 4 08:30:13: AAA/AUTHOR/IPCP: Virtual-Access1: authorization succeeded
*Apr 4 08:30:13: AAA/AUTHOR: Virtual-Access1: parse_cmd 'ip route 10.0.0.0 255.0.0.0
10.0.0.1' ok (0)
*Apr 4 08:30:13: AAA/AUTHOR: Virtual-Access1: enqueue peruser IP txt=no ip route 10.0.0.0
255.0.0.0 10.0.0.1
*Apr 4 08:30:13: AAA/AUTHOR: Virtual-Access1: parse_cmd 'ip route 11.0.0.0 255.0.0.0
10.0.0.1' ok (0)
*Apr 4 08:30:13: AAA/AUTHOR: Virtual-Access1: enqueue peruser IP txt=no ip route 11.0.0.0
255.0.0.0 10.0.0.1
*Apr 4 08:30:13: AAA/AUTHOR: Virtual-Access1: parse_cmd 'ip route 12.0.0.0 255.0.0.0
10.0.0.1' ok (0)
*Apr 4 08:30:13: AAA/AUTHOR: Virtual-Access1: enqueue peruser IP txt=no ip route 12.0.0.0
255.0.0.0 10.0.0.1
*Apr 4 08:30:13: AAA/AUTHOR: parse 'ip access-list standard Virtual-Access1#1' ok (0)
*Apr 4 08:30:13: AAA/AUTHOR: parse 'deny 10.0.0.1' ok (0)
*Apr 4 08:30:13: AAA/AUTHOR: Virtual-Access1: enqueue peruser IP txt=no ip access-list
standard Virtual-Access1#1
*Apr 4 08:30:13: VTEMPLATE vaccess1 has a new cloneblk AAA, now it has vtemplate/AAA
*Apr 4 08:30:13: VTEMPLATE ***** CLONE VACCESS1 *****

*Apr 4 08:30:13: VTEMPLATE Clone from AAA to vaccess1
interface Virtual-Access1
ip access-group Virtual-Access1#1 in

*Apr 4 08:30:13: AAA/AUTHOR: Virtual-Access1: vaccess parse 'interface Virtual-Access1
ip access-group Virtual-Access1#1 in
' ok (0)
*Apr 4 08:30:13: AAA/AUTHOR/FSM: Check for unauthorized mandatory AV's
*Apr 4 08:30:13: AAA/AUTHOR/FSM: Processing AV service=ppp
*Apr 4 08:30:13: AAA/AUTHOR/FSM: Processing AV protocol=unknown
*Apr 4 08:30:13: AAA/AUTHOR/FSM: succeeded
%ISDN-6-CONNECT: Interface BRI0:1 is now connected to Router1

```



```
Router2# show ip access-list
```

```
Standard IP access list Virtual-Access1#1 (per-user)
deny 10.0.0.1
```

```
Router2# show ip route
```

```
Codes: C - connected, S - static, I - IGRP, R - RIP, M - mobile, B - BGP
        D - EIGRP, EX - EIGRP external, O - OSPF, IA - OSPF inter area
        N1 - OSPF NSSA external type 1, N2 - OSPF NSSA external type 2
        E1 - OSPF external type 1, E2 - OSPF external type 2, E - EGP
        i - IS-IS, L1 - IS-IS level-1, L2 - IS-IS level-2, * - candidate default
        U - per-user static route, o - ODR
```

```
Gateway of last resort is 172.21.114.129 to network 0.0.0.0
```

```
U 10.0.0.0/8 [1/0] via 10.3.0.1
U 10.1.0.0/8 [1/0] via 10.3.0.1
U 10.2.0.0/8 [1/0] via 10.3.0.1
  10.3.0.0/8 is subnetted, 1 subnets
C 10.3.0.1 is directly connected, Virtual-Access1
  172.21.0.0/16 is subnetted, 1 subnets
C 172.21.114.128 is directly connected, Ethernet0
S* 0.0.0.0/0 [1/0] via 172.21.114.129
```

```
Router2# show interfaces virtual-access 1
```

```
Virtual-Access1 is up, line protocol is up
Hardware is Virtual Access interface
Interface is unnumbered. Using address of Ethernet0 (172.21.114.132)
MTU 1500 bytes, BW 64 Kbit, DLY 100000 usec, rely 255/255, load 1/255
Encapsulation PPP, loopback not set, keepalive set (10 sec)
DTR is pulsed for 5 seconds on reset
LCP Open, multilink Closed
Open: IPCP, CDP
Last input 5d04h, output never, output hang never
Last clearing of "show interface" counters 00:06:42
Queueing strategy: fifo
Output queue 0/40, 0 drops; input queue 0/75, 0 drops
5 minute input rate 0 bits/sec, 0 packets/sec
5 minute output rate 0 bits/sec, 0 packets/sec
 76 packets input, 3658 bytes, 0 no buffer
Received 0 broadcasts, 0 runts, 0 giants
 0 input errors, 0 CRC, 0 frame, 0 overrun, 0 ignored, 0 abort
141 packets output, 2909 bytes, 0 underruns
 0 output errors, 0 collisions, 0 interface resets
 0 output buffer failures, 0 output buffers swapped out
 0 carrier transitions
```

```
Router2# show ip interface virtual-access 1
```

```
Virtual-Access1 is up, line protocol is up
Interface is unnumbered. Using address of Ethernet0 (172.21.114.132)
Broadcast address is 255.255.255.255
Peer address is 10.0.0.1
MTU is 1500 bytes
Helper address is not set
Directed broadcast forwarding is enabled
Outgoing access list is not set
Inbound access list is Virtual-Access1#1
Proxy ARP is enabled
Security level is default
```

```

Split horizon is enabled
ICMP redirects are always sent
ICMP unreachable are always sent
ICMP mask replies are never sent
IP fast switching is disabled

```

```
Router2# debug ip packet
```

```
IP packet debugging is on
```

```
Router2#
```

```

*Apr  4 08:30:42: IP: s=172.21.114.129 (Ethernet0), d=255.255.255.255, len 186, rcvd 2
*Apr  4 08:30:42: IP: s=10.0.0.1 (Virtual-Access1), d=172.21.114.132, len 104, a*Apr  4
08:30:42: IP: s=10.0.0.1 (Virtual-Access1), d=172.21.114.132, len 104, access denied
*Apr  4 08:30:42: IP: s=172.21.114.132 (local), d=10.0.0.1 (Virtual-Access1), len 4,
sending
*Apr  4 08:30:42: IP: s=10.0.0.1 (Virtual-Access1), d=172.21.114.132, len 104, access
denied
*Apr  4 08:30:44: IP: s=10.0.0.1 (Virtual-Access1), d=172.21.114.132, len 104, access
denied
*Apr  4 08:30:44: IP: s=172.21.114.132 (local), d=10.0.0.1 (Virtual-Access1), len 16,
sending
*Apr  4 08:30:44: IP: s=10.0.0.1 (Virtual-Access1), d=172.21.114.132, len 104, access
denied

```

IPX Per-User SAP Filters Using IPXWAN and Virtual Profiles by a Synchronous Interface

The following examples show a remote peer (Router1) configured to dial in to a synchronous interface on a Cisco network access server (Router2), which requests user configuration information from an AAA server (radiusd):

RADIUS User File (Router 1)

```

Password = "welcome"
User-Service-Type = Framed-User,
Framed-Protocol = PPP,
cisco-avpair = "ipx:sap=101 CYBER-01 40.0000.0000.0001 400 10",
cisco-avpair = "ipx:sap=202 CYBER-02 40.0000.0000.0001 401 10",
cisco-avpair = "ipx:sap=303 CYBER-03 40.0000.0000.0001 402 10",
cisco-avpair = "ipx:sap-fltr-out#20=deny 40 101",
cisco-avpair = "ipx:sap-fltr-out#21=deny 40 202",
cisco-avpair = "ipx:sap-fltr-out#22=permit -1",
cisco-avpair = "ipx:sap-fltr-in#23=permit 30 444",
cisco-avpair = "ipx:sap-fltr-in#23=deny -1"

```

Current Remote Peer (Router 1) Configuration

```

hostname Router1
!
enable password lab
!
username Router2 password 7 140017070F0B272E
ip host Router1 172.21.114.131
ip name-server 172.19.2.132
ip name-server 192.168.30.32
ipx routing 0000.0c47.090d
ipx internal-network 30
!
interface Ethernet0
 ip address 172.21.114.131 255.255.255.224
!
interface Serial1

```

```

no ip address
encapsulation ppp
ipx ipxwan 0 unnumbered peer-Router1
clockrate 4000000
!
ipx sap 444 ZEON-4 30.0000.0000.0001 444 10
ipx sap 555 ZEON-5 30.0000.0000.0001 555 10
ipx sap 666 ZEON-6 30.0000.0000.0001 666 10
!
...
version 12.1
service timestamps debug uptime
!
hostname Router2
!
aaa new-model
aaa authentication ppp default radius
aaa authorization network radius
enable password lab
!
username Router1 password 7 044C0E0A0C2E414B
ip host Router2 172.21.114.133
ip name-server 172.22.30.32
ip name-server 192.168.2.132
ipx routing 0000.0c47.12d3
ipx internal-network 40
!
interface Ethernet0
 ip address 172.21.114.133 255.255.255.224
!
interface Virtual-Template1
 no ip address
 ipx ipxwan 0 unnumbered nas-Router2
 no cdp enable
!
interface Serial1
 ip unnumbered Ethernet0
 encapsulation ppp
 ipx ipxwan 0 unnumbered nas-Router2
 ppp authentication chap
!
ipx sap 333 DEEP9 40.0000.0000.0001 999 10
!
virtual-profile vtemplate 1
radius-server host 172.21.114.130
radius-server key rad123

```

RADIUS debug Output

```

radrecv: Request from host ac157285 code=1, id=23, length=67
  Client-Id = 172.21.114.133
  Client-Port-Id = 1399128065
  User-Name = "Router1"
  CHAP-Password = "%(\012I$\262\352\031\276\024\302\277\225\347z\274"
  User-Service-Type = Framed-User
  Framed-Protocol = PPP
Sending Ack of id 23 to ac157285 (172.21.114.133)
  User-Service-Type = Framed-User
  Framed-Protocol = PPP
[Vendor 9] cisco-avpair = "ipx:sap=101 CYBER-01 40.0000.0000.0001 400 10"
[Vendor 9] cisco-avpair = "ipx:sap=202 CYBER-02 40.0000.0000.0001 401 10"
[Vendor 9] cisco-avpair = "ipx:sap=303 CYBER-03 40.0000.0000.0001 402 10"
[Vendor 9] cisco-avpair = "ipx:sap-fltr-out#20=deny1 40 101"
[Vendor 9] cisco-avpair = "ipx:sap-fltr-out#21=deny 40 202"

```

```
[Vendor 9] cisco-avpair = "ipx:sap-fltr-out#22=permit -1"
[Vendor 9] cisco-avpair = "ipx:sap-fltr-in#23=permit 30 444"
[Vendor 9] cisco-avpair = "ipx:sap-fltr-in#23=deny -1"
```

Network Access Server show Command Output

```
Router2# show ipx servers
```

```
Codes: S - Static, P - Periodic, E - EIGRP, N - NLSP, H - Holddown, + = detail
5 Total IPX Servers
```

Table ordering is based on routing and server info

Type	Name	Net	Address	Port	Route	Hops	Itf
s	101 CYBER-01	40.0000.0000.0001	0400		conn	10	Int
s	202 CYBER-02	40.0000.0000.0001	0401		conn	10	Int
s	303 CYBER-03	40.0000.0000.0001	0402		conn	10	Int
S	333 DEEP9	40.0000.0000.0001	0999		conn	10	Int
P	444 ZEON-4	30.0000.0000.0001	0444		7/01	11	Vil

```
Router1# show ipx servers
```

```
Codes: S - Static, P - Periodic, E - EIGRP, N - NLSP, H - Holddown, + = detail
5 Total IPX Servers
```

Table ordering is based on routing and server info

Type	Name	Net	Address	Port	Route	Hops	Itf
P	303 CYBER-03	40.0000.0000.0001	0402		7/01	11	Se1
P	333 DEEP9	40.0000.0000.0001	0999		7/01	11	Se1
S	444 ZEON-4	30.0000.0000.0001	0444		conn	10	Int
S	555 ZEON-5	30.0000.0000.0001	0555		conn	10	Int
S	666 ZEON-6	30.0000.0000.0001	0666		conn	10	Int

```
Router2# show ipx access-list
```

```
IPX sap access list Virtual-Access1#2
```

Cisco and the Cisco Logo are trademarks of Cisco Systems, Inc. and/or its affiliates in the U.S. and other countries. A listing of Cisco's trademarks can be found at www.cisco.com/go/trademarks. Third party trademarks mentioned are the property of their respective owners. The use of the word partner does not imply a partnership relationship between Cisco and any other company. (1005R)

Any Internet Protocol (IP) addresses and phone numbers used in this document are not intended to be actual addresses and phone numbers. Any examples, command display output, network topology diagrams, and other figures included in the document are shown for illustrative purposes only. Any use of actual IP addresses or phone numbers in illustrative content is unintentional and coincidental.

© 2001-2009 Cisco Systems, Inc. All rights reserved.



Configuring Resource Pool Management

This chapter describes the Cisco Resource Pool Management (RPM) feature. It includes the following main sections:

- [RPM Overview](#)
- [How to Configure RPM](#)
- [Verifying RPM Components](#)
- [Troubleshooting RPM](#)
- [Configuration Examples for RPM](#)

To identify the hardware platform or software image information associated with a feature, use the Feature Navigator on Cisco.com to search for information about the feature, or refer to the software release notes for a specific release. For more information, see the “Identifying Supported Platforms” section in the “Using Cisco IOS Software” chapter.

For a complete description of the commands mentioned in this chapter, refer to the [Cisco IOS Dial Technologies Command Reference](#), Release 12.2. To locate documentation of other commands that appear in this chapter, use the command reference master index or search online.

RPM Overview

Cisco RPM enables telephone companies and Internet service providers (ISPs) to share dial resources for wholesale and retail dial network services. With RPM, telcos and ISPs can count, control, and manage dial resources and provide accounting for shared resources when implementing different service-level agreements.

You can configure RPM in a single, standalone Cisco network access server (NAS) by using RPM or, optionally, across multiple NAS stacks by using one or more external Cisco Resource Pool Manager Servers (RPMS).

Cisco RPM gives data network service providers the capability to do the following:

- Have the flexibility to include local retail dial services in the same NAS with the wholesale dial customers.
- Manage customer use of shared resources such as modems or High-Level Data Link Control (HDLC) controllers for data calls.



- Offer advanced wholesale dialup services using a Virtual Private Dialup Network (VPDN) to enterprise accounts and ISPs.
- Deploy Data over Voice Bearer Service (DoVBS).
- Manage call sessions by differentiating dial customers through customer profiles. The customer profile determines where resources are allocated and is based on the incoming Dialed Number Information Service (DNIS) number or Calling Line Identification (CLID).
- Efficiently use resource groups such as modems to offer differing over subscription rates and dial service-level agreements.

**Note**

Ear and Mouth Feature Group B (E&M-FGB) is the only signaling type supported for channel-associated signaling (CAS) on T1 and T3 facilities; R2 is supported for E1 facilities. FG D is not supported. Cisco IOS software collects DNIS digits for the signaling types FGB, PRI, and SS7 and only E&M-FGB and R2 CAS customer profiles are supported. For all other CAS signaling types, use the default DNIS group customer profiles.

Components of Incoming and Outgoing Call Management

Cisco RPM manages both incoming calls and outgoing sessions. Cisco RPM differentiates dial customers through configured customer profiles based on the DNIS and call type determined at the time of an incoming call.

The components of incoming call management in the Cisco RPM are described in the following sections:

- [Customer Profile Types](#)
- [DNIS Groups](#)
- [Call Types](#)
- [Resource Groups](#)
- [Resource Services](#)

You can use Cisco RPM to answer all calls and differentiate customers by using VPDN profiles and groups. The components of outgoing session management in the Cisco RPM are described in the following sections:

- [VPDN Groups](#)
- [VPDN Profiles](#)

**Note**

These components of Cisco RPM are enabled after the NAS and other equipment has been initially set up, configured, and verified for proper operation of the dial, PPP, VPDN, and authentication, authorization, and accounting (AAA) segments. Refer to the Cisco IOS documentation for these other segments for installation, configuration, and troubleshooting information before attempting to use RPM.

Configured DNIS groups and resource data can be associated to customer profiles. These customer profiles are selected by the incoming call DNIS number and call type and then used to identify resource allocations based on the associated resource groups and defined resource services.

After the call is answered, customer profiles can also be associated with VPDN groups so the configured VPDN sessions and other data necessary to set up or reject a VPDN session are applied to the answered calls. VPDN group data includes associated domain name or DNIS, IP addresses of endpoints, maximum sessions per endpoint, maximum Multilink PPP (MLP) bundles per VPDN group, maximum links per MLP bundle, and other tunnel information.

Customer Profile Types

There are three types of customer profiles in Cisco RPM, which are described in the following sections:

- [Customer Profiles](#)
- [Default Customer Profiles](#)
- [Backup Customer Profiles](#)

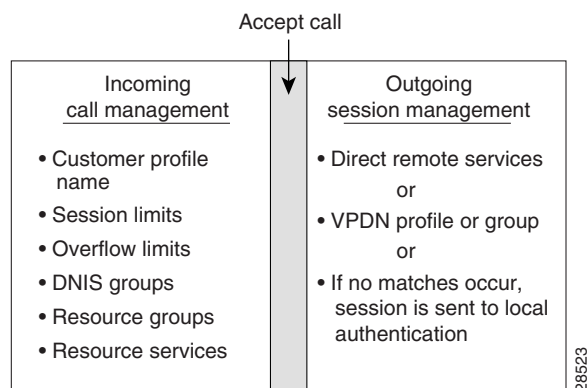
Additionally, you can create a customer profile template and associate it with a customer profile; it is then integrated into the customer profile.

Customer Profiles

A customer profile defines how and when to answer a call. Customer profiles include the following components (see [Figure 1](#)):

- Customer profile name and description—Name and description of the customer.
- Session limits—Maximum number of standard sessions.
- Overflow limits—Maximum number of overflow sessions.
- DNIS groups.
- CLID.
- Resource groups.
- Resource services.
- VPDN groups and VPDN profiles.
- Call treatment—Determines how calls that exceed the session and overflow limits are treated.

Figure 1 **Components of a Customer Profile**



The incoming side of the customer profile determines if the call will be answered using parameters such as DNIS and call type from the assigned DNIS group and session limits. The call is then assigned the appropriate resource within the resource group defined in the customer profile. Each configured customer profile includes a maximum allowed session value and an overflow value. As sessions are started and ended, session counters are incremented and decremented so customer status is kept current. This information is used to monitor the customer resource limit and determine the appropriate call treatment based on the configured session limits.

The outgoing side of the customer profile directs the answered call to the appropriate destination:

**Note**

Effective with Cisco Release 12.4(11)T, the **L2F protocol** was removed in Cisco IOS software.

- To a local AAA server of retail dial applications and Internet/intranet access.
- To a tunnel that is established between the NAS or L2TP Access Concentrator (LAC) to a wholesale VPDN home gateway of a dial customer, or L2TP Network Server (LNS) using Layer 2 Forwarding Protocol (L2F) or Layer 2 Tunneling Protocol (L2TP) technology.

Default Customer Profiles

Default customer profiles are identical to standard customer profiles, except that they do not have any associated DNIS groups. Default customer profiles are created using the reserved keyword **default** for the DNIS group.

Default customer profiles are used to provide session counting and resource assignment to incoming calls that do not match any of the configured DNIS groups. Although specific resources and DNIS groups can be assigned to customer profiles, default customer profiles allow resource pooling for the calls that do not match the configured DNIS groups or where the DNIS is not provided. Retail dial services and domain-based VPDN use default customer profiles.

When multiple default customer profiles are used, the call type (speech, digital, V.110, or V.120) of the default DNIS group is used to identify which default customer profile to use for an incoming call. At most, four default profiles (one for each call type) can be configured.

**Note**

If default customer profiles are not defined, then calls that do not match a DNIS group in a customer profile are rejected with a “no answer” or “busy” call treatment sent to the switch.

Backup Customer Profiles

Backup customer profiles are customer profiles configured locally on the Cisco NAS and are used to answer calls based on a configured allocation scheme when the link between the Cisco NAS and Cisco RPMS is disabled. See the section “[Configuring Customer Profiles Using Backup Customer Profiles](#)” for more information about configuring backup customer profiles.

Customer Profile Template

With RPM, users can also implement wholesale dial services without using VPDN tunnels to complete dial-in calls to destinations of the end customer. This capability is accomplished with components of the AAA groups and the PPP configurations.

The AAA group provides IP addresses of AAA servers for authentication and accounting. The PPP configurations allow users to configure the Cisco IOS PPP feature set on each customer profile. In this current implementation, PPP configuration is based on the following:

- Applicable IP address pool(s) or default local list of IP addresses
- Primary and secondary Domain Name System (DNS) or Windows Internet naming service (WINS)
- Number of links allowed for each call using MLP

**Note**

The AAA and PPP integration applies to a single NAS environment.

To add PPP configurations to a customer profile, you must create a customer profile template. Once you create the template and associate it with a customer profile using the **source template** command, it is integrated into the customer profile.

The RPM customer profile template for the PPP command set, when used with the Cisco IOS feature, Server Groups Selected by DNIS, presents a strong single NAS solution for providers of wholesale dial services, as follows:

- Call acceptance is determined by the RPM before call answering, using the configured size limits and resource availability.
- The answered call then uses the PPP configuration defined in the template to initiate authentication, obtain an IP address, and select a DNS or WINS that is located at the customer site.
- The same DNIS that was used to choose the customer profile selects the servers for authentication/authorization and accounting that are located at the wholesale customer's site.

The section [“Configuring a Customer Profile Template”](#) later in this chapter describes how to create a customer profile template so that you can configure the Cisco IOS PPP features on a customer profile, but this section does not list the existing PPP command set. For information about the PPP command set, refer to the *Cisco IOS Dial Technologies Command Reference*.

DNIS Groups

A DNIS group is a configured list of DNIS called party numbers that correspond to the numbers dialed to access particular customers, service offerings, or both. For example, if a customer from phone number 000-1234 calls a number 000-5678, the DNIS provides information on the number dialed—000-5678.

Cisco RPM checks the DNIS number of inbound calls against the configured DNIS groups, as follows:

- If Cisco RPM finds a match, it uses the configured information in the customer profile to which the DNIS group is assigned.
- If Cisco RPM does not find a match, it uses the configured information in the customer profile to which the default DNIS group is assigned.
- The DNIS/call type sequence can be associated only with one customer profile.

CLID Groups

A CLID group is a configured list of CLID calling party numbers. The CLID group specifies a list of numbers to reject if the group is associated with a call discriminator. For example, if a customer from phone number 000-1234 calls a number 000-5678, the CLID provides information on the calling party number—000-1234.

A CLID can be associated with only one CLID group.

Call Types

Call types from calls originating from ISDN, SS7, and CAS (CT1, CT3, and CE1) are used to assign calls to the appropriate resource. Call types for ISDN and SS7 are based on Q.931 bearer capability. Call types for CAS are assigned based on static channel configuration.

Supported call types are as follows:

- Speech
- Digital
- V.110
- V.120

**Note**

Voice over IP, fax over IP, and dial-out calls are not supported in RPM.

Resource Groups

Cisco RPM enables you to maximize the use of available shared resources within a Cisco NAS for various resource allocation schemes to support service-level agreements. Cisco RPM allows you to combine your Cisco NAS resource groups with call types (speech, digital, V.110, and V.120) and optional resource modem services. Resource groups and services are configured for customer profiles and assigned to incoming calls through DNIS groups and call types.

Resource groups have the following characteristics:

- Are configured on the Cisco NAS and applied to a customer profile.
- Represent groupings of similar hardware or firmware that are static and do not change on a per-call basis.
- Can define resources that are port-based or not port-based:
 - Port-based resources are identified by physical location, such as a range of port/slot numbers (for example, modems or terminal adapters).
 - Non-port-based resources are identified by a single size parameter (for example, HDLC framers or V.120 terminal adapters—V.120 terminal adapters are currently implemented as part of Cisco IOS software).

Resource assignments contain combinations of Cisco NAS resource groups, optional resource modem services, and call types. The NAS resources in resource groups that have not been assigned to a customer profile will not be used.

**Note**

To support ISDN DoVBS, use a DNIS group and a configured customer profile to direct the speech call to the appropriate digital resource. The resource group assigned to this customer profile will be “digital resources” and also have a call type of “speech,” so the call will terminate on an HDLC controller rather than a modem.

Resource Services

A resource service contains a finite series of resource command strings that can be used to help dynamically configure an incoming connection. Services supported by a resource group are determined by the combination of hardware and firmware installed. Currently, resource service options can be configured and applied to resource groups. Resource services can be defined to affect minimum and maximum speed, modulation, error correction, and compression, as shown in [Table 1](#).

Table 1 *Resource Services*

Service	Options	Comments
min-speed	<300–56000>, any	Must be a V.90 increment.
max-speed	<300–56000>, any	Must be a V.90 increment.
modulation	k56flex, v22bis, v32bis, v34, v90, any	None.
error-correction	lapm, mn14	This is a hidden command.
compression	mnps, v42bis	This is a hidden command.

VPDN Groups

The VPDN group contains the data required to build a VPDN tunnel from the RPM NAS LAC to the LNS. In the context of RPM, VPDN is authorized by first associating a customer profile with a VPDN group, and second by associating the VPDN group to the DNIS group used for that customer profile. VPDN group data includes the endpoint IP addresses.

Cisco RPM enables you to specify multiple IP endpoints for a VPDN group, as follows:

- If two or more IP endpoints are specified, Cisco RPM uses a load-balancing method to ensure that traffic is distributed across the IP endpoints.
- For DNIS-based VPDN dial service, VPDN groups are assigned to customer profiles based on the incoming DNIS number and the configured DNIS groups.
- For domain-based VPDN dial service, VPDN groups are assigned to the customer profile or the default customer profile with the matching call-type assignment.
- For either DNIS-based or domain-based VPDN dial services, there is a customer profile or default customer profile for the initial resource allocation and customer session limits.

The VPDN group provides call management by allowing limits to be applied to both the number of MLP bundles per tunnel and the number of links per MLP bundle. Limits can also restrict the number of sessions per IP endpoint. If you require more granular control of VPDN counters, use VPDN profiles.

VPDN Profiles

VPDN profiles allow session and overflow limits to be imposed for a particular customer profile. These limits are unrelated to the limits imposed by the customer profile. A customer profile is associated with a VPDN profile. A VPDN profile is associated with a VPDN group. VPDN profiles are required only when these additional counters are required for VPDN usage per customer profile.

Call Treatments

Call treatment determines how calls are handled when certain events require the call to be rejected. For example, if the session and overflow limits for one of your customers have been exceeded, any additional calls will receive a busy signal (see [Table 2](#)).

Table 2 **Call-Treatment Table**

Event	Call-Treatment Option	Results
Customer profile not found	No answer (default)	The caller receives rings until the switch eventually times out. Implies that the NAS was appropriate, but resources were unavailable. The caller should try later.
	Busy	The switch drops the call from the NAS and sends a busy signal back to the caller. The call is rejected based on not matching a DNIS group/call type and customer profile. Can be used to immediately reject the call and free up the circuit.
Customer profile limits exceeded	Busy	The switch drops the call from the NAS and sends a busy signal back to the caller.
NAS resource not available	Channel not available (default)	The switch sends the call to the next channel in the trunk group. The call can be answered, but the NAS does not have any available resources in the resource groups. Allows the switch to try additional channels until it gets to a different NAS in the same trunk group that has the available resources.
	Busy	The switch drops the call from the NAS and sends a busy signal back to the caller. Can be used when the trunk group does not span additional NASes.
Call discrimination match	No answer	The caller receives rings until the switch eventually times out.

Details on RPM Call Processes

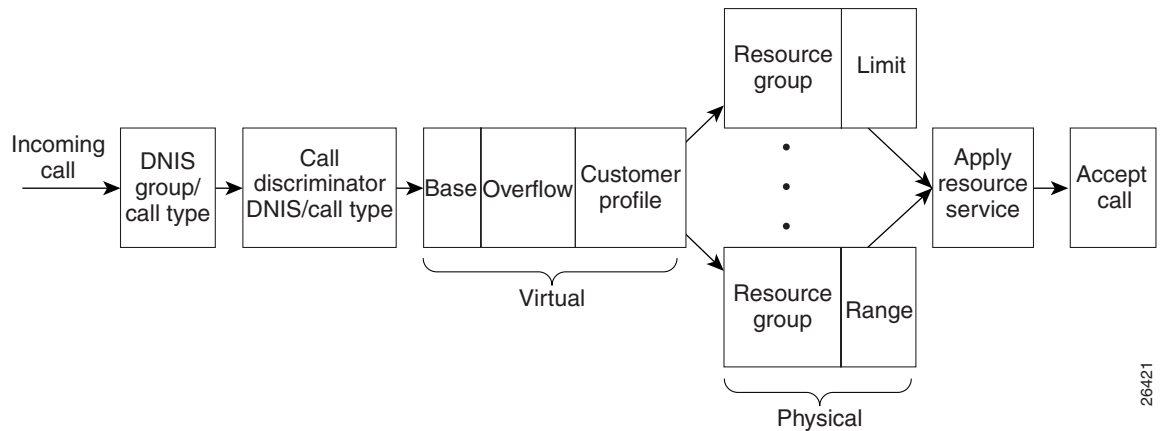
On the incoming call management of the customer profile, the following sequence occurs to determine if a call is answered:

1. The incoming DNIS is mapped to a DNIS group; if there is no incoming DNIS number, or the DNIS number provided does not match any configured DNIS group, the DNIS group *default* is used.
2. The mapped DNIS group is checked against configured call discriminator profiles to confirm if this DNIS group/call-type combination is disallowed. If there is a match, the call is immediately rejected.
3. Once a DNIS group or a default DNIS group is identified, the customer profile associated with that DNIS group and the call type (from the bearer capability for ISDN call, statically configured for CAS calls) is selected. If there is no corresponding customer profile, the call is rejected.

4. The customer profile includes a session limit value and an overflow limit value. If these thresholds are not met, the call is then assigned the appropriate resource defined in the customer profile. If the thresholds are met, the call is rejected.
5. If resources are available from the resource group defined in the customer profile, the call is answered. Otherwise, the call is rejected.
6. As sessions start and end, the session counters increase and decrease, so the customer profile call counters are kept current.

See Figure 2 for a graphical illustration of the RPM call processes.

Figure 2 Incoming Call Management: RPM Functional Description



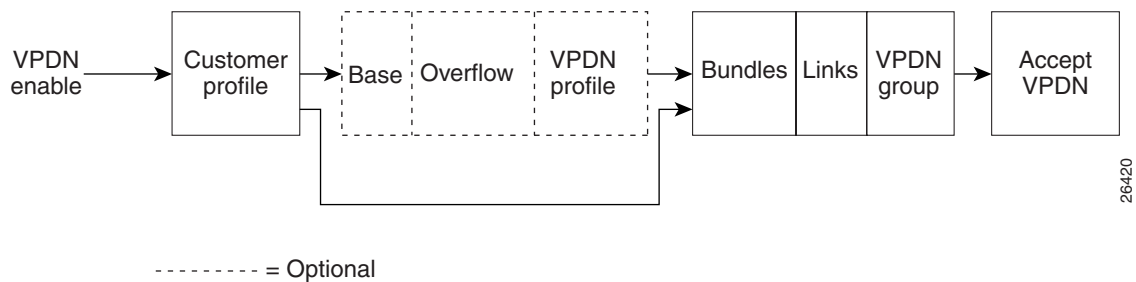
After the call is answered and if VPDN is enabled, Cisco RPM checks the customer profile for an assigned VPDN group or profile. The outgoing session management of the customer profile directs the answered call to the appropriate destination (see Figure 3), as follows:

Note

Effective with Cisco Release 12.4(11)T, the **L2F protocol** was removed in Cisco IOS software.

- To a local AAA server of retail dial applications and Internet/intranet access.
- To a tunnel that is established between the NAS or LAC and a wholesale VPDN home gateway from a dial customer or LNS using L2F or L2TP tunneling technology.

Figure 3 Outgoing Call Management: RPM Functional Description for VPDN Profiles and Groups



If a VPDN profile is found, the limits are checked, as follows:

- If the limits have not been exceeded, the VPDN group data associated with that VPDN profile is used to build a VPDN tunnel.
- If the VPDN limits have been exceeded, the call is disconnected.

If a VPDN group is found within the customer profile, the VPDN group data is used to build a VPDN tunnel, as follows:

- If the VPDN group limits (number of multilink bundles, number of links per bundle) have not been exceeded, a VPDN tunnel is built.
- If the limits have been reached, the call is disconnected.

If no VPDN profile is assigned to the customer profile and VPDN is enabled, non-RPM VPDN service is attempted. If the attempt fails, the call is processed as a retail dial service call if local AAA service is available.

Accounting Data

You can generate accounting data for network dial service usage in NAS AAA attribute format.

You can configure the Cisco NAS to generate AAA accounting records for access to external AAA server option. The accounting start and stop records in AAA attribute format are sent to the external AAA server using either RADIUS server hosts or TACACS+ protocols for accounting data storage. [Table 3](#) lists the new fields in the AAA accounting packets.

Table 3 AAA Accounting Records

Accounting Start Record	Accounting Stop Record
Call-Type	Disconnect-Cause
CAS-Group-Name	Modem-Speed-Receive
Customer-Profile-Name	Modem-Speed-Transmit
Customer-Profile-Active-Sessions	MLP-Session-ID
DNIS-Group-Name	
Overflow	
MLP-Session_ID	
Modem-Speed-Receive	
Modem-Speed-Transmit	
VPDN-Domain-Name	
VPDN-Tunnel-ID	
VPDN-HomeGateway	
VPDN-Group-Active-Sessions	

Data over Voice Bearer Services

DoVBS is a dial service that uses a customer profile and an associated resource group of digital resources to direct data calls with a speech call type to HDLC controllers.

To support ISDN DoVBS, use a DNIS group and a configured customer profile to direct the speech call to the appropriate digital resource.

The resource group assigned to this customer profile will be “digital resources” and will also have a call type of speech, so the call will terminate on an HDLC controller rather than a modem.

Call Discriminator Profiles

The Cisco RPM CLID/DNIS Call Discriminator feature lets you specify a list of calling party numbers to be rejected for inbound calls. This Cisco IOS Release 12.2 CLID/DNIS call screening feature expands previous call screening features in Cisco RPM. CLID/DNIS call screening provides an additional way to screen calls on the basis of CLID/DNIS for both local and remote RPM.

Cisco RPM CLID/DNIS Call Discriminator profiles enable you to process calls differently on the basis of the call type and CLID combination. Resource pool management offers a call discrimination feature that rejects calls on the basis of a CLID group and a call type filter. When a call arrives at the NAS, the CLID and the call type are matched against a table of disallowed calls. If the CLID and call type match entries in this table, the call is rejected before it is assigned Cisco NAS resources or before any other Cisco RPM processing occurs. This is called precall screening.

Pre-call screening decides whether the call is allowed to be processed. You can use the following types of discriminators to execute pre-call screening:

- ISDN discriminator—Accepts a call if the calling number matches a number in a group of configured numbers (ISDN group). This is also called white box screening. If you configure an ISDN group, only the calling numbers specified in the group are accepted.
- DNIS discriminator—Accepts a call if the called party number matches a number in a group of configured numbers (DNIS group). If you set up a DNIS group, only the called party numbers in the group are accepted. DNIS gives you information about the called party.
- Cisco RPM CLID/DNIS discriminator—Rejects a call if the calling number matches a number in a group of configured numbers (CLID/DNIS group). This is also called black box screening.

If you configure a discriminator with a CLID group, the calling party numbers specified in the group are rejected. CLID gives you information about the caller.

Similarly, if you configure a discriminator with a DNIS group, the called party numbers specified in the group are rejected.

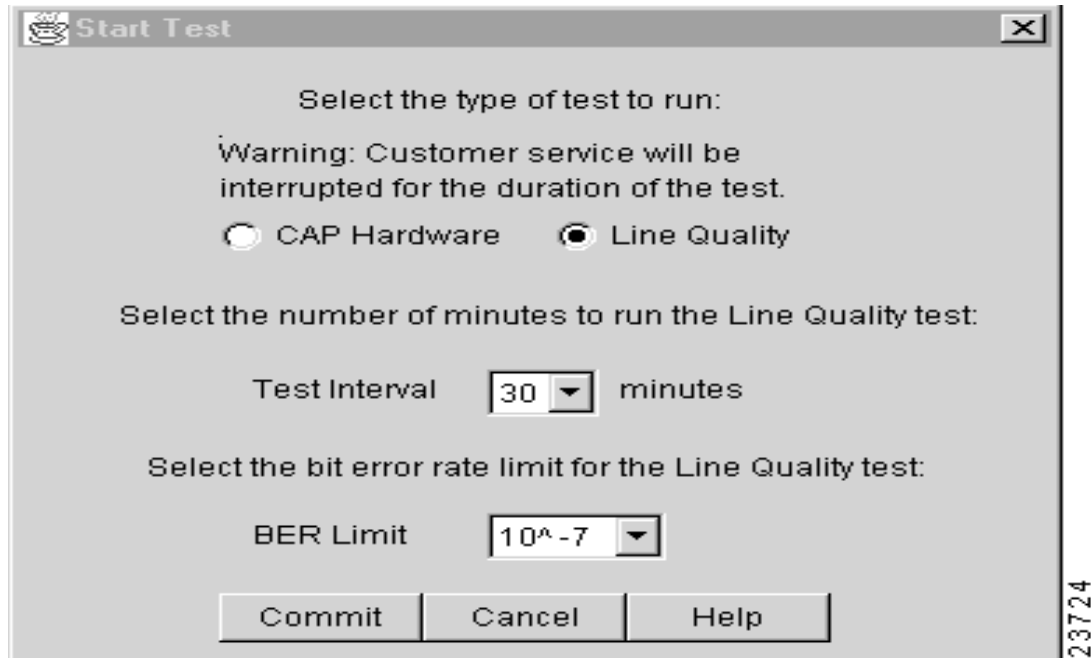
The Cisco RPM CLID/DNIS Call Discriminator Feature is independent of ISDN or DNIS screening done by other subsystems. ISDN or DNIS screening and Cisco RPM CLID/DNIS screening can both be present in the same system. Both features are executed if configured. Similarly, if DNIS Preauthorization using AAA is configured, it is present in addition to Cisco RPM CLID/DNIS screening. Refer to the *Cisco IOS Security Configuration Guide* for more information about call preauthorization.

In Cisco RPM CLID/DNIS screening, the discriminator can be a CLID discriminator, a DNIS discriminator, or a discriminator that screens on both the CLID and DNIS. The resulting discrimination logic is:

- If a discriminator contains just DNIS groups, it is a DNIS discriminator that ignores CLID. The DNIS discriminator blocks the call if the called number is in a DNIS group, which the call type references.
- If a discriminator contains just CLID groups, it is a CLID discriminator that ignores DNIS. The CLID discriminator blocks the call if the calling number is in a CLID group, which the call type references.
- If a discriminator contains both CLID and DNIS groups, it is a logical AND discriminator. It blocks the call if the calling number and called number are in the CLID or DNIS group, and the call type references the corresponding discriminator.

Figure 4 shows how call discrimination can be used to restrict a specific DNIS group to only modem calls by creating call discrimination settings for the DNIS group and the other supported call types (digital, V.110, and V.120).

Figure 4 Call Discrimination



23724

Incoming Call Preauthentication

With ISDN PRI or channel-associated signaling (CAS), information about an incoming call is available to the NAS before the call is connected. The available call information includes:

- The DNIS, also referred to as the *called number*
- The CLID, also referred to as the *calling number*
- The call type, also referred to as the *bearer capability*

The Preauthentication with ISDN PRI and Channel-Associated Signalling feature introduced in Cisco IOS Release 12.2 allows a Cisco NAS to decide—on the basis of the DNIS number, the CLID number, or the call type—whether to connect an incoming call.

When an incoming call arrives from the public network switch, but before it is connected, this feature enables the NAS to send the DNIS number, CLID number, and call type to a RADIUS server for authorization. If the server authorizes the call, the NAS accepts the call. If the server does not authorize the call, the NAS sends a disconnect message to the public network switch to reject the call.

The Preauthentication with ISDN PRI and Channel-Associated Signalling feature offers the following benefits:

- With ISDN PRI, it enables user authentication and authorization before a call is answered. With CAS, the call must be answered; however, the call can be dropped if preauthentication fails.
- It enables service providers to better manage ports using their existing RADIUS solutions.
- Coupled with a preauthentication RADIUS server application, it enables service providers to efficiently manage the use of shared resources to offer differing service-level agreements.

For more information about the Preauthentication with ISDN PRI and Channel-Associated Signalling feature, refer to the *Cisco IOS Security Configuration Guide*.

RPM Standalone Network Access Server

A single NAS using Cisco RPM can provide the following:

- Wholesale VPDN dial service to corporate customers
- Direct remote services
- Retail dial service to end users

Figure 5 and Figure 6 show multiple connections to a Cisco AS5300 NAS. Incoming calls to the NAS can use ISDN PRI signaling, CAS, or the SS7 signaling protocol. Figure 5 shows incoming calls that are authenticated locally for retail dial services or forwarded through VPDN tunnels for wholesale dial services.



Note

This implementation does not use Cisco RPM CLID/DNIS Call Discriminator Feature. If you are not using Cisco RPMS and you have more than one Cisco NAS, you must manually configure each NAS by using Cisco IOS commands. Resource usage information is not shared between NASes.

Figure 5 Retail Dial Service Using RPM

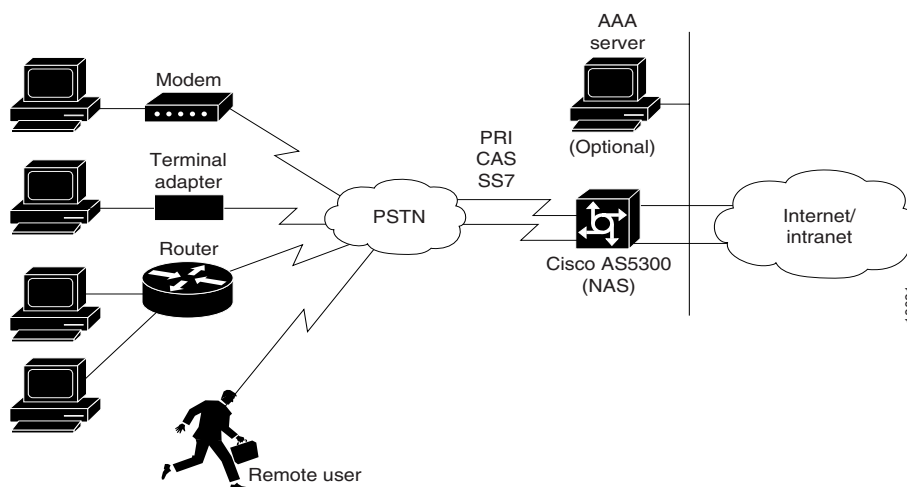


Figure 6 shows a method of implementing wholesale dial services without using VPDN tunnels by creating individual customer profiles that consist of AAA groups and PPP configurations. The AAA groups provide IP addresses of AAA servers for authentication and accounting. The PPP configurations enable you to set different PPP parameter values on each customer profile. A customer profile typically includes the following PPP parameters:

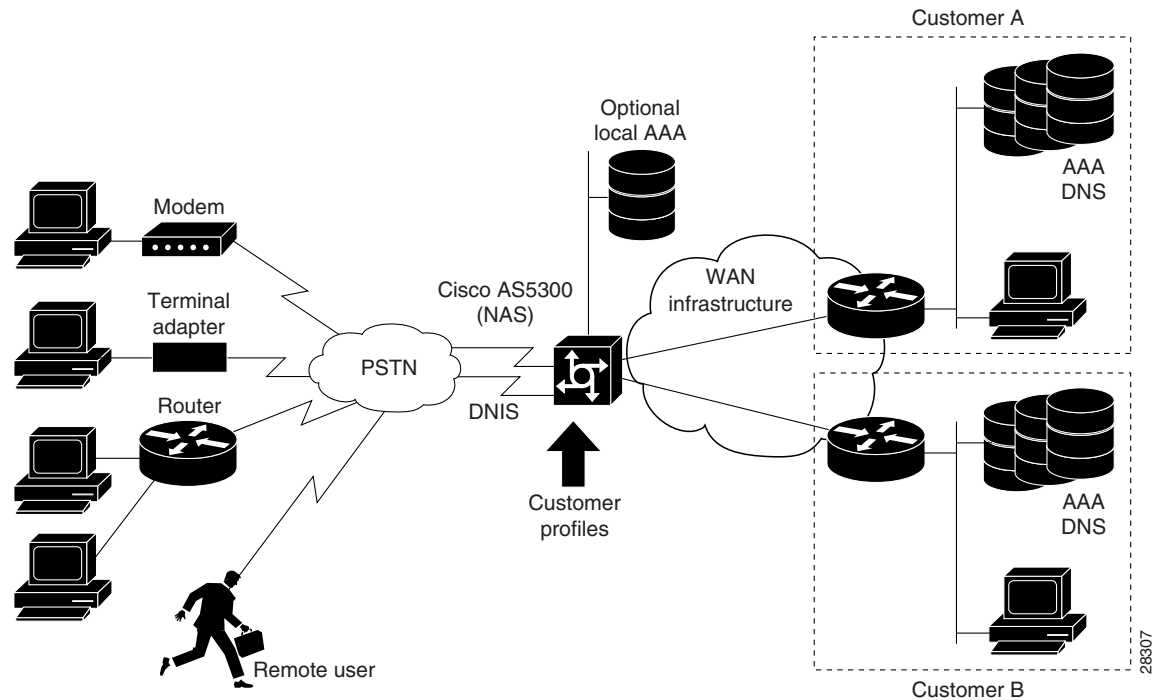
- Applicable IP address pools or a default local list of IP addresses
- Primary and secondary DNS or WINS
- Authentication method such as the Password Authentication Protocol (PAP), Challenge Handshake Authentication Protocol (CHAP), or Microsoft CHAP Version 1 (MS-CHAP)
- Number of links allowed for each call using Multilink PPP



Note

The AAA and PPP integration applies to a single NAS environment; the external RPMS solution is not supported.

Figure 6 Resource Pool Management with Direct Remote Services



Call Processing

For call processing, incoming calls are matched to a DNIS group and the customer profile associated with that DNIS group. If a match is found, the customer profile session and overflow limits are applied and if available, the required resources are allocated. If a DNIS group is not found, the customer profile associated with the default DNIS group is used. The call is rejected if a customer profile using the default DNIS group cannot be found.

After the call is answered and if VPDN is enabled, the Cisco RPM checks the customer profile for an assigned VPDN group or profile. If a VPDN group is found, Cisco RPM authorizes VPDN by matching the group domain name or DNIS with the incoming call. If a match is found, VPDN profile session and overflow limits are applied, and, if the limits are not exceeded, tunnel negotiation begins. If the VPDN limits are exceeded, the call is disconnected.

If no VPDN profile is assigned to the customer profile and VPDN is enabled, non-RPM VPDN service will be attempted. If it fails, the call is processed as a retail dial service call if local AAA service is available.

Base Session and Overflow Session Limits

Cisco RPM enables you to set base and overflow session limits in each customer profile. The base session limit determines the maximum number of nonoverflow sessions supported for a customer profile. When the session limit is reached, if overflow sessions are not enabled, any new calls are rejected. If overflow sessions are enabled, new sessions up to the session overflow limit are processed and marked as overflow for call handling and accounting.

The session overflow limit determines the allowable number of sessions above the session limit. If the session overflow limit is greater than zero, overflow sessions are enabled and the maximum number of allowed sessions is the session limit plus the session overflow limit. While the session overflow limit has been reached, any new calls are rejected. Table 4 summarizes the effects of session and session overflow limits.

Enabling overflow sessions is useful for allocating extra sessions for preferred customers at premium rates. Overflow sessions can also be useful for encouraging customers to adequately forecast bandwidth usage or for special events when normal session usage is exceeded. For example, if a customer is having a corporate-wide program and many people are expected to request remote access, you could enable many overflow sessions and charge a premium rate for the excess bandwidth requirements.

**Note**

An overflow call is a call received while the session limit is exceeded and is in an overflow state. When a call is identified as an overflow call, the call maintains the overflow status throughout its duration, even if the number of current sessions returns below the session limit.

Table 4 Effects of Session Limit and Session Overflow Limit Settings Combinations

Base Session Limit	Session Overflow Limit	Call Handling
0	0	Reject all calls.
10	0	Accept up to 10 sessions.
10	10	Accept up to 20 sessions and mark sessions 11 to 20 as overflow sessions.
0	10	Accept up to 10 sessions and mark sessions 1 to 10 as overflow.
All	0	Accept all calls.
0	All	Accept all calls and mark all calls as overflow.

VPDN Session and Overflow Session Limits

Cisco RPM enables you to configure base and overflow session limits per VPDN profile for managing VPDN sessions.

**Note**

The VPDN session and session overflow limits are independent of the limits set in the customer profiles.

The base VPDN session limit determines the maximum number of nonoverflow sessions supported for a VPDN profile. When the VPDN session limit is reached, if overflow sessions are not enabled, any new VPDN calls using the VPDN profile sessions are rejected. If overflow sessions are enabled, new sessions up to the session overflow limit are processed and marked as overflow for VPDN accounting.

The VPDN session overflow limit determines the number of sessions above the session limit allowed in the VPDN group. If the session overflow limit is greater than zero, overflow sessions are enabled and the maximum number of allowed sessions is the session limit plus the session overflow limit. While the session overflow limit has been reached, any new calls are rejected.

Enabling VPDN overflow sessions is useful for allocating extra sessions for preferred customers at premium rates. Overflow sessions are also useful for encouraging customers to adequately forecast bandwidth usage or for special events when normal session usage is exceeded. For example, if a

customer is having a corporate-wide program and many people are expected to request remote access, you could enable many overflow sessions and charge a premium rate for the extra bandwidth requirements.

VPDN MLP Bundle and Links-per-Bundle Limits

To ensure that resources are not consumed by a few users with MLP connections, Cisco RPM also enables you to specify the maximum number of MLP bundles that can open in a VPDN group. In addition, you can specify the maximum number of links for each MLP bundle.

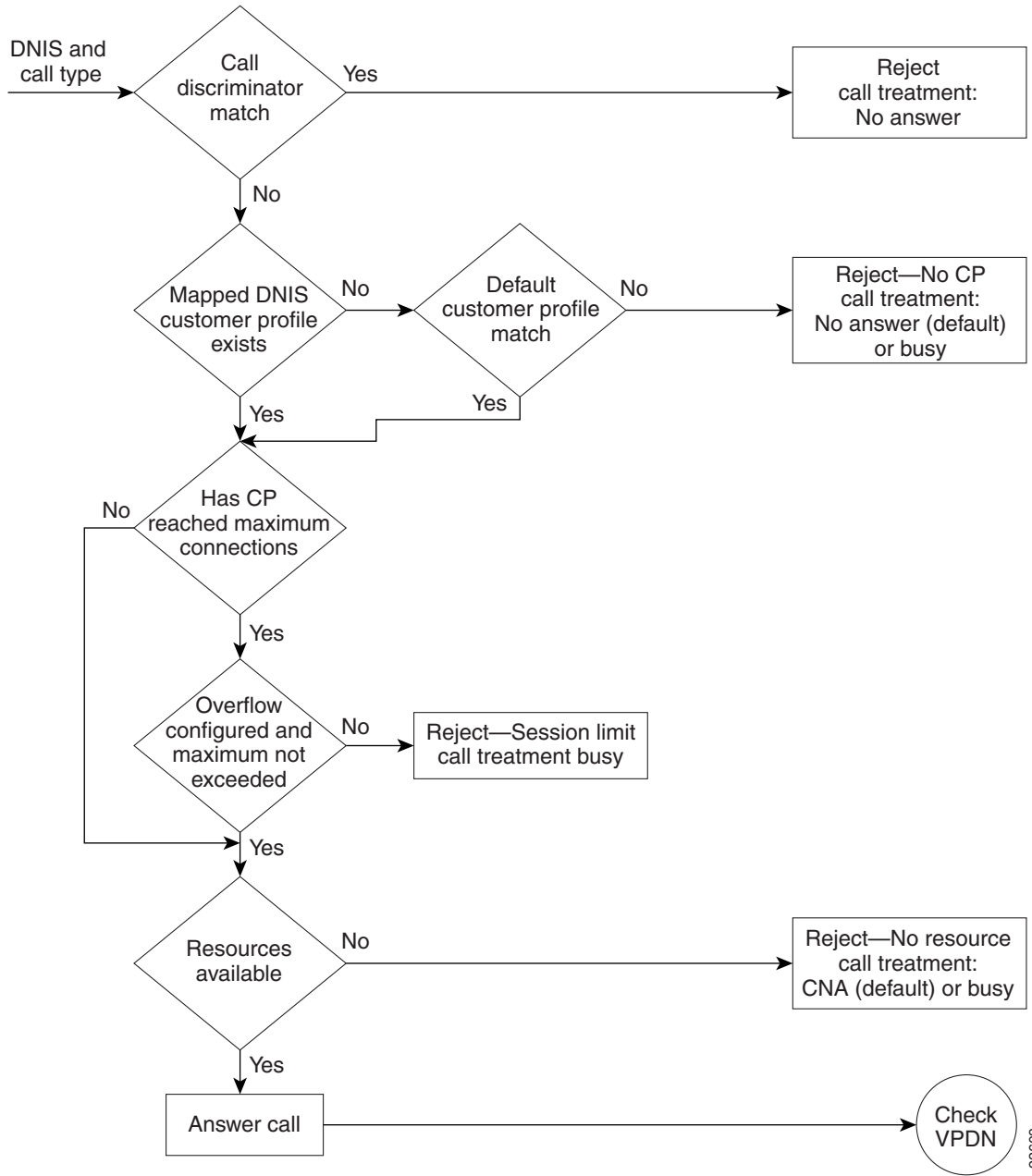
For example, if standard ISDN users access the VPDN profile, limit this setting to two links per bundle. If video conferencing is used, increase this setting to accommodate the necessary bandwidth (usually six links). These limits have no overflow option and are configured under the VPDN group component.

VPDN Tunnel Limits

For increased VPDN tunnel management, Cisco RPM enables you to set an IP endpoint session limit for each IP endpoint. IP endpoints are configured for VPDN groups.

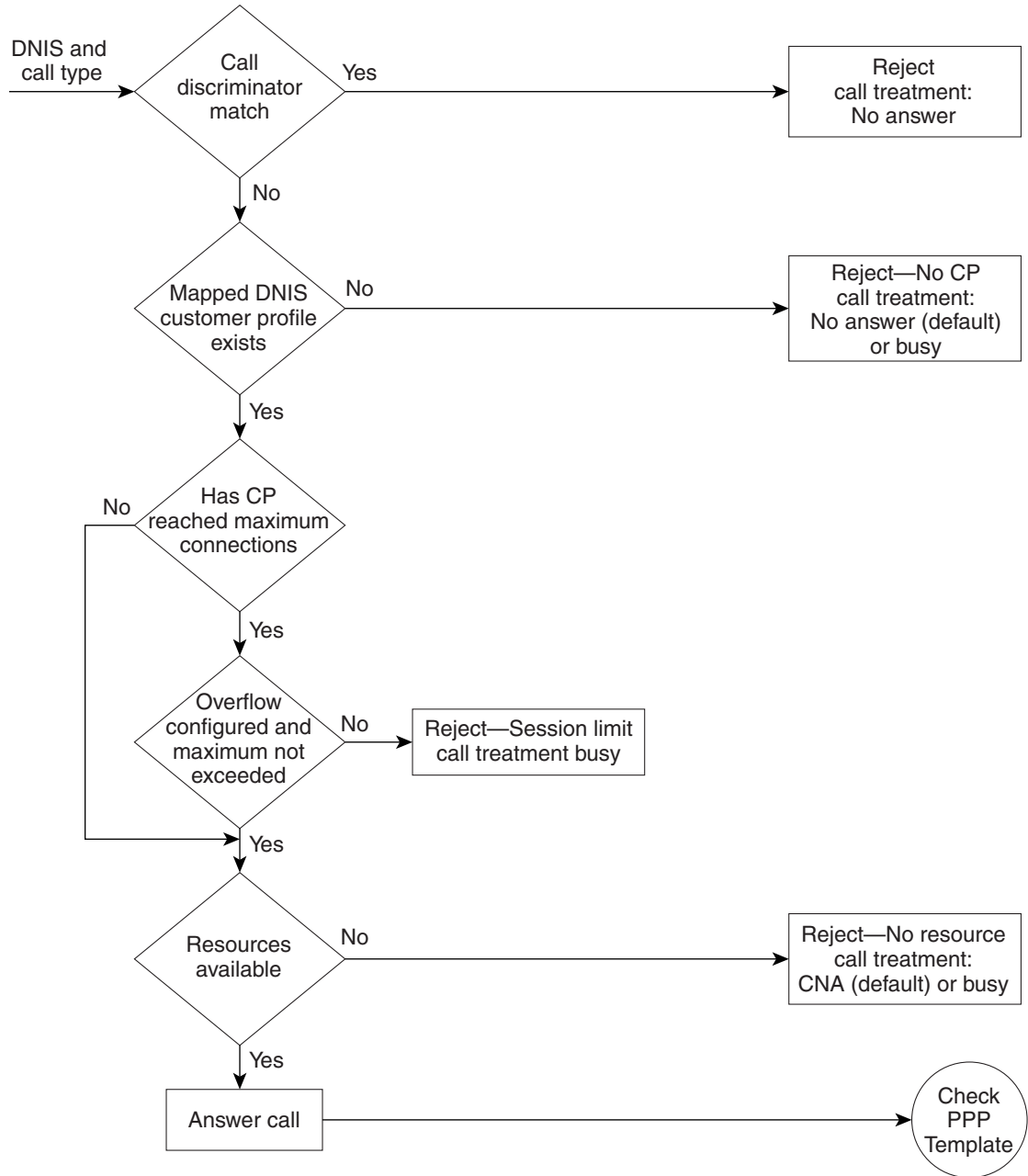
[Figure 7](#) and [Figure 8](#) show logical flowcharts of RPM call processing for a standalone NAS with and without the RPM Direct Remote Services feature.

Figure 7 RPM Call-Processing Flowchart for a Standalone Network Access Server



22609

Figure 8 Flowchart for a Standalone Network Access Server with RPM Direct Remote Services

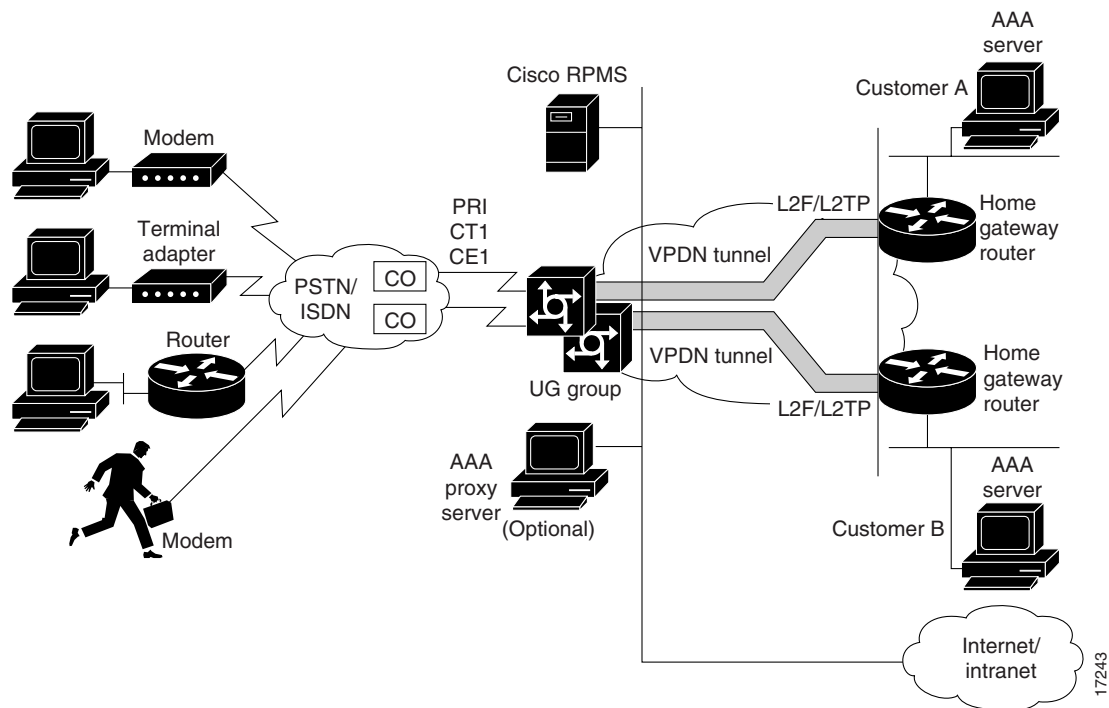


29584

RPM Using the Cisco RPMS

Figure 9 shows a typical resource pooling network scenario using RPMS.

Figure 9 RPM Scenario Using RPMS

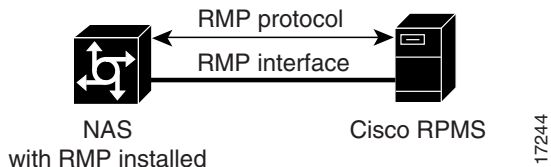


Resource Manager Protocol

Resource Manager Protocol (RMP) is a robust, recoverable protocol used for communication between the Cisco RPMS and the NAS. Each NAS client uses RMP to communicate resource management requests to the Cisco RPMS server. RPMS also periodically polls the NAS clients to query their current call information or address error conditions when they occur. RMP also allows for protocol attributes that make it extensible and enable support for customer billing requirements.

Figure 10 shows the relationship of Cisco RPM CLID/DNIS Call Discriminator Feature and RMP.

Figure 10 Cisco RPM CLID/DNIS Call Discriminator Feature and RMP



Note

RMP must be enabled on all NASes that communicate with the Cisco RPM CLID/DNIS Call Discriminator Feature.

Direct Remote Services

Direct remote services is an enhancement to Cisco RPM implemented in Cisco IOS Release 12.0(7)T that enables service providers to implement wholesale dial services without using VPDN tunnels. A customer profile that has been preconfigured with a PPP template to define the unique PPP services for the wholesale dial customer is selected by the incoming DNIS and call type. At the same time, the DNIS is used to select AAA server groups for authentication/authorization and for accounting for the customer.

PPP Common Configuration Architecture (CCA) is the new component of the RPM customer profile that enables direct remote services. The full PPP command set available in Cisco IOS software is configurable per customer profile for wholesale dial applications. A customer profile typically includes the following PPP parameters:

- Local or named IP address pools
- Primary and secondary DNS or WINS addresses
- Authentication method (PAP, CHAP, MS-CHAP)
- Multilink PPP links per bundle limits

The AAA session information is selected by the incoming DNIS. AAA server lists provide the IP addresses of AAA servers for authentication, authorization, and accounting in the wholesale local network of the customer. The server lists for both authentication and authorization and for accounting contain the server addresses, AAA server type, timeout, retransmission, and keys per server.

When direct remote services is implemented on a Cisco NAS, the following sequence occurs:

1. The NAS sends an authorization request packet to the AAA server by using the authentication method (PAP, CHAP, MSCHAP) that has been configured through PPP.
2. The AAA server accepts the authorization request and returns one of the following items to the NAS:
 - A specific IP address
 - An IP address pool name
 - Nothing
3. Depending on the response from the AAA server, the NAS assigns one of the following items to the user through the DNS/WINS:
 - The IP address returned by the AAA server
 - An IP address randomly assigned from the named IP address pool
 - An IP address from a pool specified in the customer profile template

**Note**

If the AAA server sends back to the NAS a named IP address pool and that name does not exist on the NAS, the request for service is denied. If the AAA server does not send anything back to the NAS and there is an IP address pool name configured in the customer profile template, an address from that pool is used for the session.

RPM Process with RPMS and SS7

For information on SS7 implementation for RPM, refer to the document *Cisco Resource Pool Manager Server 1.0 SS7 Implementation*.

Additional Information About Cisco RPM

For more information about Cisco RPM, see the following documents:

- *AAA Server Group*
- *Cisco Access VPN Solutions Using Tunneling Technology*
- *Cisco AS5200 Universal Access Server Software Configuration Guide*
- *Cisco AS5300 Software Configuration Guide*
- *Cisco AS5800 Access Server Software ICG*
- *Cisco Resource Pool Manager Server Configuration Guide*
- *Cisco Resource Pool Manager Server Installation Guide*
- *Cisco Resource Pool Manager Server Solutions Guide*
- *Dial Solutions Quick Configuration Guide*
- *RADIUS Multiple UDP Ports Support*
- *Redundant Link Manager*
- *Release Notes for Cisco Resource Pool Manager Server Release 1.0*
- *Resource Pool Management*
- *Resource Pool Management with Direct Remote Services*
- *Resource Pool Manager Customer Profile Template*
- *Selecting AAA Server Groups Based on DNIS*
- *SS7 Continuity Testing for Network Access Servers*
- *SS7 Dial Solution System Integration*

How to Configure RPM

Read and comply with the following restrictions and prerequisites before beginning RPM configuration:

- RPM is supported on Cisco AS5300, Cisco AS5400, and Cisco AS5800 Universal Access Servers
- Modem pooling and RPM are not compatible.
- The Cisco RPM CLID/DNIS Call Discriminator Feature must have Cisco RPM configured.
- CLID screening is not available to channel-associated signaling (CAS) interrupt level calls.
- Cisco RPM requires the NPE 300 processor when implemented on the Cisco AS5800.
- For Cisco AS5200 and Cisco AS5300 access servers, Cisco IOS Release 12.0(4)XI1 or later releases must be running on the NAS.
- For Cisco AS5800, Cisco IOS Release 12.0(5)T or later releases must be running on the NAS.
- A minimum of 64 MB must be available on the DMM cards.
- The RPM application requires an NPE 300.
- For call discriminator profiles, the Cisco AS5300, Cisco AS5400, or Cisco AS5800 Universal Access Servers require a minimum of 16 MB Flash memory and 128 MB DRAM memory, and need to be configured for VoIP as an H.323-compliant gateway.

The following tasks must be performed before configuring RPM:

- Accomplish initial configuration as described in the appropriate *Universal Access Server Software Configuration Guide*. Perform the following tasks as required.
 - Set your local AAA
 - Define your TACACS+ server for RPM
 - Define AAA accounting
 - Ensure PPP connectivity
 - Ensure VPDN connectivity

Refer to the document *Configuring the NAS for Basic Dial Access* for more information.

To configure your NAS for RPM, perform the following tasks:

- [Enabling RPM](#) (Required)
- [Configuring DNIS Groups](#) (As required)
- [Creating CLID Groups](#) (As required)
- [Configuring Discriminator Profiles](#) (As required)
- [Configuring Resource Groups](#) (As required)
- [Configuring Service Profiles](#) (As required)
- [Configuring Customer Profiles](#) (As required)
- [Configuring a Customer Profile Template](#) (As required)
- [Placing the Template in the Customer Profile](#) (As required)
- [Configuring AAA Server Groups](#) (As required)
- [Configuring VPDN Profiles](#) (As required)
- [Configuring VPDN Groups](#) (As required)
- [Counting VPDN Sessions by Using VPDN Profiles](#) (As required)
- [Limiting the Number of MLP Bundles in VPDN Groups](#) (As required)
- [Configuring Switched 56 over CT1 and RBS](#) (As required)

See the section “[Troubleshooting RPM](#)” later in this chapter for troubleshooting tips. See the section “[Configuration Examples for RPM](#)” at the end of this chapter for examples of how to configure RPM in your network.

Enabling RPM

To enable RPM, use the following commands beginning in global configuration mode:

	Command	Purpose
Step 1	Router(config)# resource-pool enable	Turns on RPM.
Step 2	Router(config)# resource-pool call treatment resource channel-not-available	Creates a resource group for resource management.
Step 3	Router(config)# resource-pool call treatment profile no-answer	Sets up the signal sent back to the telco switch in response to incoming calls.
Step 4	Router(config) # resource-pool aaa protocol local	Specifies which protocol to use for resource management.

**Note**

If you have an RPMS, you need not define VPDN groups/profiles, customer profiles, or DNIS groups on the NAS; you need only define resource groups. Configure the remaining items by using the RPMS system.

Configuring DNIS Groups

This configuration task is optional.

To configure DNIS groups, use the following commands beginning in global configuration mode:

	Command	Purpose
Step 1	Router(config)# dialer dnis group <i>dnis-group-name</i>	Creates a DNIS group. The name you specify in this step must match the name entered when configuring the customer profile.
Step 2	Router(config-called-group)# call-type cas { digital speech }	Statically sets the call-type override for incoming CAS calls.
Step 3	Router(config-called-group)# number <i>number</i>	Enters DNIS numbers to be used in the customer profile. (Wildcards can be used.)

For default DNIS service, no DNIS group configuration is required. The following characteristics and restrictions apply to DNIS group configuration:

- Each DNIS group/call-type combination can apply to only one customer profile.
- You can use up to four default DNIS groups (one for each call type).
- You must statically configure CAS call types.
- You can use x, X or . as wildcards within each DNIS number.

Creating CLID Groups

You can add multiple CLID groups to a discriminator profile. You can organize CLID numbers for a customer or service type into a CLID group. Add all CLID numbers into one CLID group, or subdivide the CLID numbers using criteria such as call type, geographical location, or division. To create CLID groups, use the following commands beginning in global configuration mode:

	Command	Purpose
Step 1	Router(config)# dialer clid group <i>clid-group-name</i>	Creates a CLID group, assigns it a name of up to 23 characters, and enters CLID configuration mode. The CLID group must be the same as the group specified in the customer profile configuration. Refer to the <i>Resource Pool Management with Direct Remote Services</i> document for information on configuring customer profiles.
Step 2	Router(config-clid-group)# number <i>clid-group-number</i>	Enters CLID configuration mode, and adds a CLID number to the dialer CLID group that is used in the customer profile. The CLID number can have up to 65 characters. You can use x , X or . as wildcards within each CLID number. The CLID screening feature rejects this number if it matches the CLID of an incoming call.

Configuring Discriminator Profiles

Discriminator profiles enable you to process calls differently on the basis of the call type and CLID/DNIS combination. The “[Call Discriminator Profiles](#)” section earlier in this chapter describes the different types of discriminator profiles that you can create.

To configure discriminator profiles for RPM implementation, use the following commands beginning in global configuration mode:

	Command	Purpose
Step 1	Router(config)# resource-pool profile discriminator <i>name</i>	Creates a call discriminator profile and assigns it a name of up to 23 characters.
Step 2	Router(config-call-d)# call-type { all digital speech v110 v120 }	Specifies the type of calls you want to block. The NAS will not answer the call-type you specify.

	Command	Purpose
Step 3	Router(config-call-d)# clid group { <i>clid-group-name</i> default }	Optional. Associates a CLID group with the discriminator. If you do not specify a <i>clid-group-name</i> , the default discriminator in the RM is used. Any CLID number coming in on a call is in its respective default group unless it is specifically assigned a <i>clid-group-name</i> . After a CLID group is associated with a call type in a discriminator, it cannot be used in any other discriminator.
Step 4	Router(config-call-d)# dnis group { <i>dnis-group-name</i> default }	Optional. Associates a DNIS group with the discriminator. If you do not specify a <i>dnis-group-name</i> , the default discriminator in the RM is used. Any DNIS number coming in on a call is in its respective default group unless it is specifically assigned a <i>dnis-group-name</i> . After a DNIS group is associated with a call type in a discriminator, it cannot be used in any other discriminator.

To verify discriminator profile settings, use the following commands:

Step 1 Use the **show resource-pool discriminator** *name* command to verify the call discriminator profiles that you configured.

If you enter the **show resource-pool discriminator** command without including a call discriminator name, a list of all current call discriminator profiles appears.

If you enter a call discriminator profile *name* with the **show resource-pool discriminator** command, the number of calls rejected by the selected call discriminator appears.

```
Router# show resource-pool discriminator
```

```
List of Call Discriminator Profiles:
  deny_CLID
```

```
Router# show resource-pool discriminator deny_CLID
```

```
  1 calls rejected
```

Step 2 Use the **show dialer** command to display general diagnostic information for interfaces configured for the dialer.

```
Router# show dialer [interface] type number
```

Configuring Resource Groups

To configure resource groups, use the following commands beginning in global configuration mode:

	Command	Purpose
Step 1	Router(config)# resource-pool group resource name	Creates a resource group and assign it a name of up to 23 characters.
Step 2	Router(config-resource-group)# range {port {slot/port slot/port}} {limit number}	Associates a range of modems or other physical resources with this resource group: <ul style="list-style-type: none"> • For port-based resources, use the physical locations of the resources. • For non-port-based resources, use a single integer limit. Specify the maximum number of simultaneous connections supported by the resource group. Up to 192 connections may be supported, depending on the hardware configuration of the access server.

For external Cisco RPMS environments, configure resource groups on the NAS before defining them on external RPMS servers.

For standalone NAS environments, first configure resource groups before using them in customer profiles.

Resource groups can apply to multiple customer profiles.



Note

You can separate physical resources into groups. However, do not put heterogeneous resources in the same group. Do not put MICA technologies modems in the same group as Microcom modems. Do not put modems and HDLC controllers in the same resource group. Do not configure the **port** and **limit** command parameters in the same resource group.

Configuring Service Profiles

To configure service profiles, use the following commands beginning in global configuration mode:

	Command	Purpose
Step 1	Router(config)# resource-pool profile service name	Creates a service profile and assign it a name of up to 23 characters.
Step 2	Router(config-service-profil)# modem min-speed {speed any} max-speed {speed any [modulation value]}	Specifies the desired modem parameter values. The range for min-speed and max-speed is 300 to 56000 bits per second.

Service profiles are used to configure modem service parameters for Nextport and MICA technologies modems, and support speech, digital, V.110, and V.120 call types. Error-correction and compression are hidden parameters that may be included in a service profile.

Configuring Customer Profiles

To configure customer profiles, use the following commands beginning in global configuration mode:

	Command	Purpose
Step 1	Router(config)# resource-pool profile customer name	Creates a customer profile.
Step 2	Router(config-customer-pro)# dnis group {dnis-group-name default}	Includes a group of DNIS numbers in the customer profile.
Step 3	Router(config-customer-pro)# limit base-size {number all}	Specifies the base size usage limit.
Step 4	Router(config-customer-pro)# limit overflow-size {number all}	Specifies the oversize size usage limit.
Step 5	Router(config-customer-pro)# resource WORD {digital speech v110 v120} [service WORD]	Assigns resources and supported call types to the customer profile.

Customer profiles are used so that service providers can assign different service characteristics to different customers. Note the following characteristics of customer profiles:

- Multiple resources of the same call type are used sequentially.
- The limits imposed are per customer (DNIS)—not per resource.
- A digital resource with a call type of **speech** allows for Data over Speech Bearer Service (DoSBS).

Configuring Default Customer Profiles

Default customer profiles are identical to standard customer profiles, except they do not have any associated DNIS groups. To define a default customer profile, use the reserved keyword **default** for the DNIS group:

	Command	Purpose
Step 1	Router(config)# resource-pool profile customer name	Assigns a name to the default customer profile.
Step 2	Router(config-customer-pro)# dnis group default	Assigns the default DNIS group to the customer profile. This sets up the customer profile such that it will use the default DNIS configuration, which is automatically set on the NAS.

The rest of the customer profile is configured as shown in the previous section “[Configuring Customer Profiles](#).”

Configuring Customer Profiles Using Backup Customer Profiles

Backup customer profiles are customer profiles configured locally on the Cisco NAS and are used to answer calls on the basis of a configured allocation scheme when the link between the Cisco NAS and Cisco RPMS is disabled.

To enable the backup feature, you need to have already configured the following on the router:

- The **resource-pool aaa protocol group name local** command.
- All customer profiles and DNIS groups on the NAS.

The backup customer profile can contain all of the elements defined in a standard customer profile, including base size or overflow parameters. However, when the connection between the Cisco NAS and Cisco RPMS is unavailable, session counting and session limits are not applied to incoming calls. Also, after the connection is reestablished, there is no synchronization of call counters between the Cisco NAS and Cisco RPMS.

Configuring Customer Profiles for Using DoVBS

To configure customer profiles for using DoVBS, use the following commands beginning in global configuration command mode:

	Command	Purpose
Step 1	Router(config)# resource-pool profile customer <i>name</i>	Assigns a name to a customer profile.
Step 2	Router(config-customer-pro)# dnis group <i>name</i>	Assigns a DNIS group to the customer profile. DNIS numbers are assigned as shown in the previous section.
Step 3	Router(config)# limit base-size { <i>number</i> all }	Specifies the VPDN base size usage limit.
Step 4	Router(config)# limit overflow-size { <i>number</i> all }	Specifies the VPDN overflow size usage limit.
Step 5	Router(config-customer-pro)# resource name { digital speech v110 v120 } [service name]	Specifies resource names to use within the customer profile.

To support ISDN DoVBS, use a DNIS group and a configured customer profile to direct the speech call to the appropriate digital resource. The DNIS group assigned to the customer profile should have a call type of speech. The resource group assigned to this customer profile will be digital resources and also have a call type of speech, so the call will terminate on an HDLC controller rather than a modem.

See the section [“Customer Profile Configuration for DoVBS Example”](#) at the end of this chapter for a configuration example.

Configuring a Customer Profile Template

Customer profile templates provide a way to keep each unique situation for a customer separate for both security and accountability. This is an optional configuration task.

To configure a template and place it in a customer profile, ensure that all basic configuration tasks and the RPM configuration tasks have been completed and verified before attempting to configure the customer profile templates.

To add PPP configurations to a customer profile, create a customer profile template. Once you create the template and associate it with a customer profile by using the **source template** command, it is integrated into the customer profile.

To configure a template in RPM, use the following commands beginning in global configuration mode:

	Command	Purpose
Step 1	Router(config)# template name	Creates a customer profile template and assign a unique name that relates to the customer that will be receiving it. Note Steps 2, 3, and 4 are optional. Enter multilink, peer, and ppp commands appropriate to the application requirements of the customer.
Step 2	Router(config-template)# peer default ip address pool pool-name	(Optional) Specifies that the customer profile to which this template is attached will use a local IP address pool with the specified name.
Step 3	Router(config-template)# ppp authentication chap	(Optional) Sets the PPP link authentication method.
Step 4	Router(config-template)# ppp multilink	(Optional) Enables Multilink PPP for this customer profile.
Step 5	Router(config-template)# exit	Exits from template configuration mode; returns to global configuration mode.
Step 6	Router(config)# resource-pool profile customer name	Enters customer profile configuration mode for the customer to which you wish to assign this template.
Step 7	Router(config-customer-profi)# source template name	Attaches the customer profile template you have just configured to the customer profile.

Typical Template Configuration

The following example shows a typical template configuration:

```
template Word
  multilink {max-fragments frag-num | max-links num | min-links num}
  peer match aaa-pools
  peer default ip address {pool pool-name1 [pool-name2] | dhcp}
  ppp ipcp {dns | wins} A.B.C.D [W.X.Y.Z]
resource-pool profile customer WORD
  source template Word
  aaa group-configuration aaa-group-name

template acme_direct
  peer default ip address pool tahoe
  ppp authentication chap isdn-users
  ppp multilink
```

Verifying Template Configuration

To verify your template configuration, perform the following steps:

Step 1 Enter the **show running-config EXEC** command (where the template name is “PPP1”):

```
Router#
Router# show running-config begin template
.
.
.
template PPP1
peer default ip address pool pool1 pool2
```

```
ppp ipcp dns 10.1.1.1 10.1.1.2
ppp ipcp wins 10.1.1.3 10.1.1.4
ppp multilink max-links 2
.
.
.
```

Step 2 Ensure that your template appears in the configuration file.

Placing the Template in the Customer Profile

To place your template in the customer profile, use the following commands beginning in global configuration command mode:

	Command	Purpose
Step 1	Router(config)# resource-pool profile customer name	Assigns a name to a customer profile.
Step 2	Router(config-customer-pr) # source template	Associates the template with the customer profile.

To verify the placement of your template in the customer profile, perform the following steps:

Step 1 Enter the **show resource-pool customer EXEC** command:

```
Router# show resource-pool customer

List of Customer Profiles:
  CP1
  CP2
```

Step 2 Look at the list of customer profiles and make sure that your profile appears in the list.

Step 3 To verify a particular customer profile configuration, enter the **show resource-pool customer name EXEC** command (where the customer profile name is “CP1”):

```
Router# show resource-pool customer CP1

97 active connections
 120 calls accepted
 210 max number of simultaneous connections
 50 calls rejected due to profile limits
 0 calls rejected due to resource unavailable
 90 minutes spent with max connections
 5 overflow connections
 2 overflow states entered
 0 overflow connections rejected
 0 minutes spent in overflow
13134 minutes since last clear command
```

Configuring AAA Server Groups

To configure AAA server groups, use the following commands beginning in global configuration mode:

	Command	Purpose
Step 1	Router(config)# aaa new-model	Enables AAA on the NAS.
Step 2	Router(config)# radius-server key <i>key</i> or Router(config)# tacacs-server key <i>key</i>	Set the authentication and encryption key used for all RADIUS or TACACS+ communications between the NAS and the RADIUS or TACACS+ daemon.
Step 3	Router(config)# radius-server host { <i>hostname</i> <i>ip-address</i> <i>key</i> } [auth-port <i>port</i> acct-port <i>port</i>] or Router(config)# tacacs-server host <i>ip-address</i> <i>key</i>	Specifies the host name or IP address of the server host before configuring the AAA server group. You can also specify the UDP destination ports for authentication and for accounting.
Step 4	Router(config)# aaa group server { radius tacacs+ } <i>group-name</i>	Selects the AAA server type you want to place into a server group and assign a server group name.
Step 5	Router(config-sg radius)# server <i>ip-address</i>	Specifies the IP address of the selected server type. This must be the same IP address that was assigned to the server host in Step 3.
Step 6	Router(config-sg radius)# exit	Returns to global configuration mode.
Step 7	Router(config)# resource-pool profile customer <i>name</i>	Enters customer profile configuration mode for the customer to which you wish to assign this AAA server group.
Step 8	Router(config-customer-profil)# aaa group-configuration <i>group-name</i>	Associates this AAA server group (named in Step 4) with the customer profile named in Step 7.

AAA server groups are lists of AAA server hosts of a particular type. The Cisco RPM currently supports RADIUS and TACACS+ server hosts. A AAA server group lists the IP addresses of the selected server hosts.

You can use a AAA server group to define a distinct list of AAA server hosts and apply this list to the Cisco RPM application. Note that the AAA server group feature works only when the server hosts in a group are of the same type.

Configuring VPDN Profiles

A VPDN profile is required only if you want to impose limits on the VPDN tunnel that are separate from the customer limits.

To configure VPDN profiles, use the following commands beginning in global configuration mode:

	Command	Purpose
Step 1	Router(config)# resource-pool profile vpdn <i>profile-name</i>	Creates a VPDN profile and assigns it a profile name
Step 2	Router(config-vpdn-profile)# limit base-size { <i>number</i> all }	Specifies the maximum number of simultaneous base VPDN sessions to be allowed for this VPDN group under the terms of the service-level agreement (SLA). The range is 0 to 1000 sessions. If all sessions are to be designated as base VPDN sessions, specify all .

	Command	Purpose
Step 3	Router(config-vpdn-profile)# limit overflow-size {number all}	Specifies the maximum number of simultaneous overflow VPDN sessions to be allowed for this VPDN group under the terms of the SLA. The range is 0 to 1000 sessions. If all sessions are to be designated as overflow VPDN sessions, specify all .
Step 4	Router(config-vpdn-profile)# exit	Returns to global configuration mode.
Step 5	Router(config)# resource-pool profile customer name	Enters customer profile configuration mode for the customer to which you wish to assign this VPDN group.
Step 6	Router(config-customer-profi)# vpdn profile profile-name or Router(config-customer-profi)# vpdn group group-name	Attaches the VPDN profile you have just configured to the customer profile to which it belongs, or, if the limits imposed by the VPDN profile are not required, attaches VPDN group instead (see the section “ Configuring VPDN Groups ” later in this chapter).

Configuring VPDN Groups

To configure VPDN groups, use the following commands beginning in global configuration mode:

	Command	Purpose
Step 1	Router(config)# vpdn enable	Enables VPDN sessions on the NAS.
Step 2	Router(config)# vpdn-group group-name	Creates a VPDN group and assigns it a unique name. Each VPDN group can have multiple endpoints (HGW/LNSs).
Step 3	Router(config-vpdn)# request dialin {l2f l2tp} {ip ip-address} {domain domain-name dnis dnis-number}	Specifies the tunneling protocol to be used to reach the remote peer defined by a specific IP address if a dial-in request is received for the specified domain name or DNIS number. The IP address that qualifies the session is automatically generated and need not be entered again. Note Effective with Cisco Release 12.4(11)T, the L2F protocol was removed in Cisco IOS software.
Step 4	Router(config-vpdn)# multilink {bundle-number link-number}	Specifies the maximum number of bundles and links for all multilink users in the VPDN group. The range for both bundles and links is 0 to 32767. In general, each user requires one bundle.
Step 5	Router(config-vpdn)# loadsharing ip ip-address [limit number]	Configures the endpoints for loadsharing. This router will share the load of IP traffic with the first router specified in Step 2. The limit keyword limits the number of simultaneous sessions that are sent to the remote endpoint (HGW/LNS). This limit can be 0 to 32767 sessions.

	Command	Purpose
Step 6	Router(config-vpdn)# backup ip <i>ip-address</i> [limit number] [priority number]	Sets up a backup HGW/LNS router. The number of sessions per backup can be limited. The priority number can be 2 to 32767. The highest priority is 2, which is the first HGW/LNS router to receive backup traffic. The lowest priority, which is the default, is 32767.
Step 7	Router(config-vpdn)# exit	Returns to global configuration mode.
Step 8	Router(config)# resource-pool profile <i>vpdn profile-name</i> or Router(config)# resource-pool profile <i>customer name</i>	Enters either VPDN profile configuration mode or customer profile configuration mode, depending on whether you want to allow VPDN connections for a customer profile, or allow combined session counting on all of the VPDN sessions within a VPDN profile.
Step 9	Router(config-vpdn-profile)# vpdn group <i>group-name</i> or Router(config-customer-profi)# vpdn group <i>group-name</i>	Attaches the VPDN group to either the VPDN profile or the customer profile specified in Step 8.

A VPDN group consists of VPDN sessions that are combined and placed into a customer profile or a VPDN profile. Note the following characteristics of VPDN groups:

- The *dnis-group-name* argument is required to authorize the VPDN group with RPM.
- A VPDN group placed in a customer profile allows VPDN connections for the customer using that profile.
- A VPDN group placed in a VPDN profile allows the session limits configured for that profile to apply to all of the VPDN sessions within that VPDN group.
- VPDN data includes an associated domain name or DNIS, an endpoint IP address, the maximum number of MLP bundles, and the maximum number of links per MLP bundle; this data can optionally be located on a AAA server.

See the sections “[VPDN Configuration Example](#)” and “[VPDN Load Sharing and Backing Up Between Multiple HGW/LNSs Example](#)” at the end of this chapter for examples of using VPDN with RPM.

Counting VPDN Sessions by Using VPDN Profiles

Session counting is provided for each VPDN profile. One session is brought up each time a remote client dials into a HGW/LNS router by using the NAS/LAC. Sessions are counted by using VPDN profiles. If you do not want to count the number of VPDN sessions, do not set up any VPDN profiles. VPDN profiles count sessions in one or more VPDN groups.

To configure VPDN profile session counting, use the following commands beginning in global configuration mode:

	Command	Purpose
Step 1	Router(config)# resource-pool profile vpdn name	Creates a VPDN profile.
Step 2	Router(config-vpdn-profile)# vpdn-group name Router(config-vpdn-profile)# exit	Associates a VPDN group to the VPDN profile. VPDN sessions done within this VPDN group will be counted by the VPDN profile.
Step 3	Router(config)# resource-pool profile customer name Router(config-customer-profi)# vpdn profile name	Links the VPDN group to a customer profile.
Step 4	Router(config-customer-profi)# ^Z Router#	Returns to EXEC mode to perform verification steps.

To verify session counting and view VPDN group information configured under resource pooling, use the **show resource-pool vpdn group** command. In this example, two different VPDN groups are configured under two different customer profiles:

```
Router# show resource-pool vpdn group

List of VPDN Groups under Customer Profiles
Customer Profile customer1:customer1-vpdng
Customer Profile customer2:customer2-vpdng
List of VPDN Groups under VPDN Profiles
VPDN Profile customer1-profile:customer1-vpdng
```

To display the contents of a specific VPDN group, use the **show resource-pool vpdn group name** command. This example contains one domain name, two DNIS called groups, and two endpoints:

```
Router# show resource-pool vpdn group customer2-vpdng

VPDN Group customer2-vpdng found under Customer Profiles: customer2

Tunnel (L2TP)
-----
dnis:cgl
dnis:cg2
dnis:jan

Endpoint          Session Limit Priority Active Sessions Status Reserved Sessions
-----
172.21.9.67      *           1           0           OK           -
10.1.1.1         *           2           0           OK           -
-----
Total            *           0           0           0           0
```

To display the contents of a specific VPDN profile, use the **show resource-pool vpdn profile name** command, as follows:

```
Router# show resource-pool vpdn profile ?

WORD VPDN profile name
<cr>

Router# show resource-pool vpdn profile customer1-profile

0 active connections
0 max number of simultaneous connections
0 calls rejected due to profile limits
0 calls rejected due to resource unavailable
0 overflow connections
0 overflow states entered
```

```
0 overflow connections rejected
1435 minutes since last clear command
```

**Note**

Use the **debug vpdn event** command to troubleshoot VPDN profile limits, session limits, and MLP connections. First, enable this command; then, send a call into the access server. Interpret the debug output and make configuration changes as needed.

To debug the L2F or L2TP protocols, use the **debug vpdn l2x** command:

**Note**

Effective with Cisco Release 12.4(11)T, the **L2F protocol** was removed in Cisco IOS software.

```
Router# debug vpdn l2x ?

error          VPDN Protocol errors
event          VPDN event
l2tp-sequencing L2TP sequencing
l2x-data       L2F/L2TP data packets
l2x-errors     L2F/L2TP protocol errors
l2x-events     L2F/L2TP protocol events
l2x-packets    L2F/L2TP control packets
packet        VPDN packet
```

Limiting the Number of MLP Bundles in VPDN Groups

Cisco IOS software enables you to limit the number of MLP bundles and links supported for each VPDN group. A bundle name consists of a username endpoint discriminator (for example, an IP address or phone number) sent during LCP negotiation.

To limit the number of MLP bundles in VPDN groups, use the following commands beginning in global configuration mode:

	Command	Purpose
Step 1	Router(config)# vpdn-group <i>name</i>	Creates a VPDN group.
Step 2	Router(config- <i>vpdn</i>)# multilink { bundle <i>number</i> link <i>number</i> }	Limits the number of MLP bundles per VPDN group and links per bundle. ¹ These settings limit the number of users that can multilink.

- Both the NAS/LAC and the HGW/LNS router must be configured to support multilink before a client can use multilink to connect to a HGW/LNS.

The following example shows the **show vpdn multilink** command output for verifying MLP bundle limits:

```
Router# show vpdn multilink

Multilink Bundle Name   VPDN Group Active links Reserved links Bundle/Link Limit
-----
twv@anycompany.com     vgdnis      0             0             */*
```

**Note**

Use the **debug vpdn event** and **debug resource-pooling** commands to troubleshoot VPDN profile limits, session limits, and MLP connections. First, enable this command; then, send a call into the access server. Interpret the debug output and make configuration changes as needed.

Configuring Switched 56 over CT1 and RBS

To configure switched 56 over CT1 and RBS, use the following commands beginning in global configuration mode. Perform this task on the Cisco AS5200 and Cisco AS5300 access servers only.

	Command	Purpose
Step 1	Router(config)# controller t1 <i>number</i>	Specifies a controller and begins controller configuration mode.
Step 2	Router(config-controller)# cas-group 0 timeslots 1-24 type e&m-fgb {dtmf mf} {dnis}	Creates a CAS group and assigns time slots.
Step 3	Router(config-controller)# framing {sf esf}	Specifies framing.
Step 4	Router(config-controller)# linecode {ami b8zs}	Enters the line code.
Step 5	Router(config-controller)# exit	Returns to global configuration mode.
Step 6	Router(config)# dialer dnis group <i>name</i>	Creates a dialer called group.
Step 7	Router(config-called-group)# call-type cas digital	Assigns a call type as digital (switch 56).
Step 8	Router(config-called-group)# exit	Returns to global configuration mode.
Step 9	Router(config)# interface serial <i>number: number</i> Router(config-if)#	Specifies the logical serial interface, which was dynamically created when the cas-group command was issued. This command also enters interface configuration mode, where you configure the core protocol characteristics for the serial interface.

To verify switched 56 over CT1, use the **show dialer dnis** command as follows:

```
Router# show dialer dnis group

List of DNIS Groups:
  default
  mdm_grp1

Router# show dialer dnis group mdm_grp1

Called Number:2001
  0 total connections
  0 peak connections
  0 calltype mismatches
Called Number:2002
  0 total connections
  0 peak connections
  0 calltype mismatches
Called Number:2003
  0 total connections
  0 peak connections
  0 calltype mismatches
Called Number:2004
  0 total connections
  0 peak connections
  0 calltype mismatches
.
.
.
Router# show dialer dnis number
```

```
List of Numbers:
  default
  2001
  2002
  2003
  2004
  .
  .
  .
```

Verifying RPM Components

The following sections provide call-counter and call-detail output for the different RPM components:

- [Verifying Current Calls](#)
- [Verifying Call Counters for a Customer Profile](#)
- [Clearing Call Counters](#)
- [Verifying Call Counters for a Discriminator Profile](#)
- [Verifying Call Counters for a Resource Group](#)
- [Verifying Call Counters for a DNIS Group](#)
- [Verifying Call Counters for a VPDN Profile](#)
- [Verifying Load Sharing and Backup](#)

Verifying Current Calls

The following output from the **show resource-pool call** command shows the details for all current calls, including the customer profile and resource group, and the matched DNIS group:

```
Router# show resource-pool call

Shelf 0, slot 0, port 0, channel 15, state RM_RPM_RES_ALLOCATED
  Customer profile ACME, resource group isdn-ports
  DNIS number 301001
Shelf 0, slot 0, port 0, channel 14, state RM_RPM_RES_ALLOCATED
  Customer profile ACME, resource group isdn-ports
  DNIS number 301001
Shelf 0, slot 0, port 0, channel 11, state RM_RPM_RES_ALLOCATED
  Customer profile ACME, resource group MICA-modems
  DNIS number 301001
```

Verifying Call Counters for a Customer Profile

The following output from the **show resource-pool customer** command shows the call counters for a given customer profile. These counters include historical data and can be cleared.

```
Router# show resource-pool customer ACME

  3 active connections
  41 calls accepted
  3 max number of simultaneous connections
  11 calls rejected due to profile limits
```

```
2 calls rejected due to resource unavailable
0 minutes spent with max connections
5 overflow connections
1 overflow states entered
11 overflow connections rejected
10 minutes spent in overflow
214 minutes since last clear command
```

Clearing Call Counters

The `clear resource-pool` command clears the call counters.

Verifying Call Counters for a Discriminator Profile

The following output from the `show resource-pool discriminator` command shows the call counters for a given discriminator profile. These counters include historical data and can be cleared.

```
Router# show resource-pool discriminator

List of Call Discriminator Profiles:
  deny_DNIS

Router# show resource-pool discriminator deny_DNIS

  1 calls rejected
```

Verifying Call Counters for a Resource Group

The following output from the `show resource-pool resource` command shows the call counters for a given resource group. These counters include historical data and can be cleared.

```
Router# show resource-pool resource

List of Resources:
  isdn-ports
  MICA-modems

Router# show resource-pool resource isdn-ports

  46 resources in the resource group
  2 resources currently active
  8 calls accepted in the resource group
  2 calls rejected due to resource unavailable
  0 calls rejected due to resource allocation errors
```

Verifying Call Counters for a DNIS Group

The following output from the `show dialer dnis` command shows the call counters for a given DNIS group. These counters include historical data and can be cleared.

```
Router# show dialer dnis group ACME_dnis_numbers

DNIS Number:301001
  11 total connections
  5 peak connections
```

```
0 calltype mismatches
```

Verifying Call Counters for a VPDN Profile

The following output from the **show resource-pool vpdn** command shows the call counters for a given VPDN profile or the tunnel information for a given VPDN group. These counters include historical data and can be cleared.



Note

Effective with Cisco Release 12.4(11)T, the **L2F protocol** was removed in Cisco IOS software.

```
Router# show resource-pool vpdn profile ACME_VPDN
```

```
2 active connections
2 max number of simultaneous connections
0 calls rejected due to profile limits
0 calls rejected due to resource unavailable
0 overflow connections
0 overflow states entered
0 overflow connections rejected
215 minutes since last clear command
```

```
Router# show resource-pool vpdn group outgoing-2
```

```
VPDN Group outgoing-2 found under VPDN Profiles: ACME_VPDN
```

```
Tunnel (L2F)
```

```
-----
```

```
dnis:301001
```

```
dnis:ACME_dnis_numbers
```

Endpoint	Session Limit	Priority	Active Sessions	Status	Reserved Sessions
172.16.1.9	*	1	2	OK	-
Total	*		2		0

Verifying Load Sharing and Backup

The following example from the **show running-config EXEC** command shows two different VPDN customer groups:



Note

Effective with Cisco Release 12.4(11)T, the **L2F protocol** was removed in Cisco IOS software.

```
Router# show running-config
```

```
Building configuration...
```

```
.
```

```
.
```

```
.
```

```
vpdn-group customer1-vpdng
```

```
request dialin
```

```
protocol l2f
```

```
domain cisco.com
```

```
domain cisco2.com
```

```
dnis customer1-calledg
```

```
initiate-to ip 172.21.9.67
loadsharing ip 172.21.9.68 limit 100
backup ip 172.21.9.69 priority 5
vpdn-group customer2-vpdng
request dialin
protocol l2tp
dnis customer2-calledg
domain acme.com
initiate-to ip 172.22.9.5
```

Troubleshooting RPM

Test and verify that ISDN, CAS, SS7, PPP, AAA, and VPDN are working properly before implementing RPM. Once RPM is implemented, the only **debug** commands needed for troubleshooting RPM are as follows:

- **debug resource pool**
- **debug aaa authorization**

The **debug resource-pool** command is useful as a first step to ensure proper operation. It is usually sufficient for most cases. Use the **debug aaa authorization** command for troubleshooting VPDN and modem service problems.

Problems that might typically occur are as follows:

- No DNIS group found or no customer profile uses a default DNIS
- Call discriminator blocks the DNIS
- Customer profile limits exceeded
- Resource group limits exceeded



Note

Always enable the debug and log time stamps when troubleshooting RPM.

This section provides the following topics for troubleshooting RPM:

- [Resource-Pool Component](#)
- [Resource Group Manager](#)
- [Signaling Stack](#)
- [AAA Component](#)
- [VPDN Component](#)
- [Troubleshooting DNIS Group Problems](#)
- [Troubleshooting Call Discriminator Problems](#)
- [Troubleshooting Customer Profile Counts](#)
- [Troubleshooting Resource Group Counts](#)
- [Troubleshooting VPDN](#)
- [Troubleshooting RPMS](#)

Resource-Pool Component

The resource-pool component contains two modules—a dispatcher and a local resource-pool manager. The dispatcher interfaces with the signaling stack, resource-group manager, and AAA, and is responsible for maintaining resource-pool call state and status information. The state transitions can be displayed by enabling the resource-pool debug traces. [Table 5](#) summarizes the resource pooling states.

Table 5 *Resource Pooling States*

State	Description
RM_IDLE	No call activity.
RM_RES_AUTHOR	Call waiting for authorization; message sent to AAA.
RM_RES_ALLOCATING	Call authorized; resource group manager allocating.
RM_RES_ALLOCATED	Resource allocated; connection acknowledgment sent to signaling state. Call should get connected and become active.
RM_AUTH_REQ_IDLE	Signaling module disconnected call while in RM_RES_AUTHOR. Waiting for authorization response from AAA.
RM_RES_REQ_IDLE	Signaling module disconnected call while in RM_RES_ALLOCATING. Waiting for resource allocation response from resource group manager.

The resource-pool state can be used to isolate problems. For example, if a call fails authorization in the RM_RES_AUTHOR state, investigate further with AAA authorization debugs to determine whether the problem lies in the resource-pool manager, AAA, or dispatcher.

The resource-pool component also contains local customer profiles and discriminators, and is responsible for matching, configuring, and maintaining the associated counters and statistics. The resource-pool component is responsible for the following:

- Configuration of customer profiles or discriminators
- Matching a customer profile or discriminator for local profile configuration
- Counters/statistics for customer profiles or discriminators
- Active call information displayed by the **show resource-pool call** command

The RPMS debug commands are summarized in [Table 6](#).

Table 6 *Debug Commands for RPM*

Command	Purpose
debug resource-pool	This debug output should be sufficient for most RPM troubleshooting situations.
debug aaa authorization	This debug output provides more specific information and shows the actual DNIS numbers passed and call types used.

Successful Resource Pool Connection

The following sample output from the **debug resource-pool** command displays a successful RPM connection. The entries in bold are of particular importance.

```
*Mar 1 02:14:57.439: RM state:RM_IDLE event:DIALER_INCALL DS0:0:0:0:21
*Mar 1 02:14:57.439: RM: event incoming call
```

```
*Mar 1 02:14:57.443: RM state:RM_DNIS_AUTHOR event:RM_DNIS_RPM_REQUEST DS0:0:0:0:21
*Mar 1 02:14:57.447: RM:RPM event incoming call
*Mar 1 02:14:57.459: RPM profile ACME found
*Mar 1 02:14:57.487: RM state:RM_RPM_RES_AUTHOR event:RM_RPM_RES_AUTHOR_SUCCESS
DS0:0:0:0:21
*Mar 1 02:14:57.487: Allocated resource from res_group isdn-ports
*Mar 1 02:14:57.491: RM:RPM profile "ACME", allocated resource "isdn-ports" successfully
*Mar 1 02:14:57.495: RM state:RM_RPM_RES_ALLOCATING event:RM_RPM_RES_ALLOC_SUCCESS
DS0:0:0:0:21
*Mar 1 02:14:57.603: %LINK-3-UPDOWN: Interface Serial0:21, changed state to up
*Mar 1 02:15:00.879: %LINEPROTO-5-UPDOWN: Line protocol on Interface Serial0:21, changed
state to up
```

Dialer Component

The dialer component contains DNIS groups and is responsible for configuration, and maintenance of counters and statistics. The resource-pool component is responsible for the following:

- DNIS number statistics or counters
- Configuring DNIS groups

Resource Group Manager

Resource groups are created, maintained, allocated, freed, and tallied by the resource group manager. The resource group manager is also responsible for service profiles, which are applied to resources at call setup time. The resource group manager is responsible for:

- Allocating resources when the profile has been authorized and a valid resource group is received
- Statistics or configuration of resource groups
- Configuring or applying service profiles to resource groups
- Collecting DNIS number information for channel-associated signaling calls

Signaling Stack

The signaling stacks currently supported in resource pooling are CAS and ISDN. The signaling stack delivers the incoming call to the resource-pool dispatcher and provides call-type and DNIS number information to the resource-pool dispatcher. Depending on configuration, call connect attempts may fail if the signaling stacks do not send the DNIS number and the call type to the resource-pool dispatcher. Call attempts will also fail if signaling stacks disconnect prematurely, not giving enough time for authorization or resource allocation processes to complete.

Therefore, investigate the signaling stack when call attempts or call treatment behavior does not meet expectations. For ISDN, the **debug isdn q931** command can be used to isolate errors between resource pooling, signaling stack, and switch. For CAS, the **debug modem csm**, **service internal**, and **modem-mgmt csm debug-rbs** commands are used on Cisco AS5200 and Cisco AS5300 access servers, while the **debug csm** and **debug trunk cas port *number* timeslots *number*** commands are used on the Cisco AS5800 access server.

AAA Component

In context with resource pooling, the AAA component is responsible for the following:

- Authorization of profiles between the resource-pool dispatcher and local or external resource-pool manager
- Accounting messages between the resource-pool dispatcher and external resource-pool manager for resource allocation
- VPDN authorization between VPDN and the local or external resource-pool manager
- VPDN accounting messages between VPDN and the external resource-pool manager
- Overflow accounting records between the AAA server and resource-pool dispatcher
- Resource connect speed accounting records between the AAA server and resource group

VPDN Component

The VPDN component is responsible for the following:

- Creating VPDN groups and profiles
- Searching or matching groups based on domain or DNIS
- Maintaining counts and statistics for the groups and profiles
- Setting up the tunnel between the NAS/LAC and HGW/LNS

The VPDN component interfaces with AAA to get VPDN tunnel authorization on the local or remote resource-pool manager. VPDN and AAA debugging traces should be used for troubleshooting.

Troubleshooting DNIS Group Problems

The following output from the **debug resource-pool** command displays a customer profile that is not found for a particular DNIS group:

```
*Mar 1 00:38:21.011: RM state:RM_IDLE event:DIALER_INCALL DS0:0:0:0:3
*Mar 1 00:38:21.011: RM: event incoming call
*Mar 1 00:38:21.015: RM state:RM_DNIS_AUTHOR event:RM_DNIS_RPM_REQUEST DS0:0:0:0:3
*Mar 1 00:38:21.019: RM:RPM event incoming call
*Mar 1 00:38:21.103: RPM no profile found for call-type digital in default DNIS number
*Mar 1 00:38:21.155: RM:RPM profile rejected do not allocate resource
*Mar 1 00:38:21.155: RM state:RM_RPM_RES_AUTHOR event:RM_RPM_RES_AUTHOR_FAIL DS0:0:0:0:3
*Mar 1 00:38:21.163: RM state:RM_RPM_DISCONNECTING event:RM_RPM_DISC_ACK DS0:0:0:0:3
```

Troubleshooting Call Discriminator Problems

The following output from the **debug resource-pool** command displays an incoming call that is matched against a call discriminator profile:

```
*Mar 1 00:35:25.995: RM state:RM_IDLE event:DIALER_INCALL DS0:0:0:0:4
*Mar 1 00:35:25.999: RM: event incoming call
*Mar 1 00:35:25.999: RM state:RM_DNIS_AUTHOR event:RM_DNIS_RPM_REQUEST DS0:0:0:0:4
*Mar 1 00:35:26.003: RM:RPM event incoming call
*Mar 1 00:35:26.135: RM:RPM profile rejected do not allocate resource
*Mar 1 00:35:26.139: RM state:RM_RPM_RES_AUTHOR event:RM_RPM_RES_AUTHOR_FAIL DS0:0:0:0:4
*Mar 1 00:35:26.143: RM state:RM_RPM_DISCONNECTING event:RM_RPM_DISC_ACK DS0:0:0:0:4
```


Troubleshooting Customer Profile Counts

The following output from the **debug resource-pool** command displays what happens once the customer profile limits have been reached:

```
*Mar 1 00:43:33.275: RM state:RM_IDLE event:DIALER_INCALL DS0:0:0:0:9
*Mar 1 00:43:33.279: RM: event incoming call
*Mar 1 00:43:33.279: RM state:RM_DNIS_AUTHOR event:RM_DNIS_RPM_REQUEST DS0:0:0:0:9
*Mar 1 00:43:33.283: RM:RPM event incoming call
*Mar 1 00:43:33.295: RPM count exceeded in profile ACME
*Mar 1 00:43:33.315: RM:RPM profile rejected do not allocate resource
*Mar 1 00:43:33.315: RM state:RM_RPM_RES_AUTHOR event:RM_RPM_RES_AUTHOR_FAIL DS0:0:0:0:9
*Mar 1 00:43:33.323: RM state:RM_RPM_DISCONNECTING event:RM_RPM_DISC_ACK DS0:0:0:0:9
```

Troubleshooting Resource Group Counts

The following output from the **debug resource-pool** command displays the resources within a resource group all in use:

```
*Mar 1 00:52:34.411: RM state:RM_IDLE event:DIALER_INCALL DS0:0:0:0:19
*Mar 1 00:52:34.411: RM: event incoming call
*Mar 1 00:52:34.415: RM state:RM_DNIS_AUTHOR event:RM_DNIS_RPM_REQUEST DS0:0:0:0:19
*Mar 1 00:52:34.419: RM:RPM event incoming call
*Mar 1 00:52:34.431: RPM profile ACME found
*Mar 1 00:52:34.455: RM state:RM_RPM_RES_AUTHOR event:RM_RPM_RES_AUTHOR_SUCCESS
DS0:0:0:0:19
*Mar 1 00:52:34.459: All resources in res_group isdn-ports are in use
*Mar 1 00:52:34.463: RM state:RM_RPM_RES_ALLOCATING event:RM_RPM_RES_ALLOC_FAIL
DS0:0:0:0:19
*Mar 1 00:52:34.467: RM:RPM failed to allocate resources for "ACME"
```

Troubleshooting VPDN

Troubleshooting problems that might typically occur are as follows:

- Customer profile is not associated with a VPDN profile or VPDN group (the call will be locally terminated in this case. Regular VPDN can still succeed even if RPM/VPDN fails).
- VPDN profile limits have been reached (call answered but disconnected).
- VPDN group limits have been reached (call answered but disconnected).
- VPDN endpoint is not reachable (call answered but disconnected).

Troubleshooting RPM/VPDN Connection

The following sample output from the **debug resource-pool** command displays a successful RPM/VPDN connection. The entries in bold are of particular importance.



Note

Effective with Cisco Release 12.4(11)T, the **L2F protocol** was removed in Cisco IOS software.

```
*Mar 1 00:15:53.639: Se0:10 RM/VPDN/rm-session-request: Allocated vpdn info for domain
NULL MLP Bundle SOHO
*Mar 1 00:15:53.655: RM/VPDN/ACME_VPDN: VP LIMIT/ACTIVE/RESERVED/OVERFLOW are now 6/0/0/0
*Mar 1 00:15:53.659: RM/VPDN/ACME_VPDN: Session reserved for outgoing-2
```

```
*Mar 1 00:15:53.695: Se0:10 RM/VPDN: Session has been authorized using
dnis:ACME_dnis_numbers
*Mar 1 00:15:53.695: Se0:10 RM/VPDN/session-reply: NAS name HQ-NAS
*Mar 1 00:15:53.699: Se0:10 RM/VPDN/session-reply: Endpoint addresses 172.16.1.9
*Mar 1 00:15:53.703: Se0:10 RM/VPDN/session-reply: VPDN tunnel protocol l2f
*Mar 1 00:15:53.703: Se0:10 RM/VPDN/session-reply: VPDN Group outgoing-2
*Mar 1 00:15:53.707: Se0:10 RM/VPDN/session-reply: VPDN domain dnis:ACME_dnis_numbers
*Mar 1 00:15:53.767: RM/VPDN: MLP Bundle SOHO Session Connect with 1 Endpoints:
*Mar 1 00:15:53.771: IP 172.16.1.9 OK
*Mar 1 00:15:53.771: RM/VPDN/rm-session-connect/ACME_VPDN: VP
LIMIT/ACTIVE/RESERVED/OVERFLOW are now 6/1/0/0
*Mar 1 00:15:54.815: %LINEPROTO-5-UPDOWN: Line protocol on Interface Serial0:10, changed
state to up
*Mar 1 00:15:57.399: %ISDN-6-CONNECT: Interface Serial0:10 is now connected to SOHO
```

Troubleshooting Customer/VPDN Profile

The following sample output from the **debug resource-pool** command displays when there is no VPDN group associated with an incoming DNIS group. However, the output from the **debug resource-pool** command, as shown here, does not effectively reflect the problem:



Note

Effective with Cisco Release 12.4(11)T, the **L2F protocol** was removed in Cisco IOS software.

```
*Mar 1 03:40:16.483: Se0:15 RM/VPDN/rm-session-request: Allocated vpdn info for domain
NULL MLP Bundle SOHO
*Mar 1 03:40:16.515: Se0:15 RM/VPDN/rm-session-request: Authorization failed
*Mar 1 03:40:16.527: %VPDN-6-AUTHORERR: L2F NAS HQ-NAS cannot locate a AAA server for
Se0:15 user SOHO
*Mar 1 03:40:16.579: %LINK-3-UPDOWN: Interface Virtual-Access1, changed state to up
*Mar 1 03:40:17.539: %LINEPROTO-5-UPDOWN: Line protocol on Interface Serial0:15, changed
state to up
*Mar 1 03:40:17.615: %LINEPROTO-5-UPDOWN: Line protocol on Interface Virtual-Access1,
changed state to up
*Mar 1 03:40:19.483: %ISDN-6-CONNECT: Interface Serial0:15 is now connected to SOHO
```

Whenever the **debug resource-pool** command offers no further assistance besides the indication that authorization has failed, enter the **debug aaa authorization** command to further troubleshoot the problem. In this case, the **debug aaa authorization** command output appears as follows:

```
*Mar 1 04:03:49.846: Se0:19 RM/VPDN/rm-session-request: Allocated vpdn info for domain
NULL MLP Bundle SOHO
*Mar 1 04:03:49.854: Se0:19 AAA/AUTHOR/RM vpdn-session (3912941997): Port='DS0:0:0:0:19'
list='default' service=RM
*Mar 1 04:03:49.858: AAA/AUTHOR/RM vpdn-session: Se0:19 (3912941997) user='301001'
*Mar 1 04:03:49.862: Se0:19 AAA/AUTHOR/RM vpdn-session (3912941997): send AV
service=resource-management
*Mar 1 04:03:49.866: Se0:19 AAA/AUTHOR/RM vpdn-session (3912941997): send AV
protocol=vpdn-session
*Mar 1 04:03:49.866: Se0:19 AAA/AUTHOR/RM vpdn-session (3912941997): send AV
rm-protocol-version=1.0
*Mar 1 04:03:49.870: Se0:19 AAA/AUTHOR/RM vpdn-session (3912941997): send AV
rm-nas-state=3278356
*Mar 1 04:03:49.874: Se0:19 AAA/AUTHOR/RM vpdn-session (3912941997): send AV
rm-call-handle=27
*Mar 1 04:03:49.878: Se0:19 AAA/AUTHOR/RM vpdn-session (3912941997): send AV
multilink-id=SOHO
*Mar 1 04:03:49.878: Se0:19 AAA/AUTHOR/RM vpdn-session (3912941997): found list "default"
*Mar 1 04:03:49.882: Se0:19 AAA/AUTHOR/RM vpdn-session (3912941997): Method=LOCAL
*Mar 1 04:03:49.886: Se0:19 AAA/AUTHOR/RM/local (3912941997): Received AV
service=resource-management
```

```
*Mar 1 04:03:49.890: Se0:19 AAA/AUTHOR/RM/local (3912941997): Received AV
protocol=vpdn-session
*Mar 1 04:03:49.890: Se0:19 AAA/AUTHOR/RM/local (3912941997): Received AV
rm-protocol-version=1.0
*Mar 1 04:03:49.894: Se0:19 AAA/AUTHOR/RM/local (3912941997): Received AV
rm-nas-state=3278356
*Mar 1 04:03:49.898: Se0:19 AAA/AUTHOR/RM/local (3912941997): Received AV
rm-call-handle=27
*Mar 1 04:03:49.902: Se0:19 AAA/AUTHOR/RM/local (3912941997): Received AV
multilink-id=SOHO
*Mar 1 04:03:49.906: Se0:19 AAA/AUTHOR/VPDN/RM/LOCAL: Customer ACME has no VPDN group
for session dnis:ACME_dnis_numbers
*Mar 1 04:03:49.922: Se0:19 AAA/AUTHOR (3912941997): Post authorization status = FAIL
```

Troubleshooting VPDN Profile Limits

The following output from the **debug resource-pool** command displays that VPDN profile limits have been reached:



Note

Effective with Cisco Release 12.4(11)T, the **L2F protocol** was removed in Cisco IOS software.

```
*Mar 1 04:57:53.762: Se0:13 RM/VPDN/rm-session-request: Allocated vpdn info for domain
NULL MLP Bundle SOHO
*Mar 1 04:57:53.774: RM/VPDN/ACME_VPDN: VP LIMIT/ACTIVE/RESERVED/OVERFLOW are now 0/0/0/0
*Mar 1 04:57:53.778: RM/VPDN/ACME_VPDN: Session outgoing-2 rejected due to Session Limit
*Mar 1 04:57:53.798: Se0:13 RM/VPDN/rm-session-request: Authorization failed
*Mar 1 04:57:53.802: %VPDN-6-AUTHORFAIL: L2F NAS HQ-NAS, AAA authorization failure for
Se0:13 user SOHO; At Session Max
*Mar 1 04:57:53.866: %ISDN-6-DISCONNECT: Interface Serial0:13 disconnected from SOHO,
call lasted 2 seconds
*Mar 1 04:57:54.014: %LINK-3-UPDOWN: Interface Serial0:13, changed state to down
*Mar 1 04:57:54.050: RM state:RM_RPM_RES_ALLOCATED event:DIALER_DISCON DS0:0:0:13
*Mar 1 04:57:54.054: RM:RPM event call drop
*Mar 1 04:57:54.054: Deallocated resource from res_group isdn-ports
```

Troubleshooting VPDN Group Limits

The following **debug resource-pool** command display shows that VPDN group limits have been reached. From this display, the problem is not obvious. To troubleshoot further, use the **debug aaa authorization** command described in the “[Troubleshooting RPMS](#)” section later in this chapter:



Note

Effective with Cisco Release 12.4(11)T, the **L2F protocol** was removed in Cisco IOS software.

```
*Mar 1 05:02:22.314: Se0:17 RM/VPDN/rm-session-request: Allocated vpdn info for domain
NULL MLP Bundle SOHO
*Mar 1 05:02:22.334: RM/VPDN/ACME_VPDN: VP LIMIT/ACTIVE/RESERVED/OVERFLOW are now 5/0/0/0
*Mar 1 05:02:22.334: RM/VPDN/ACME_VPDN: Session reserved for outgoing-2
*Mar 1 05:02:22.358: Se0:17 RM/VPDN/rm-session-request: Authorization failed
*Mar 1 05:02:22.362: %VPDN-6-AUTHORFAIL: L2F NAS HQ-NAS, AAA authorization failure for
Se0:17 user SOHO; At Multilink Bundle Limit
*Mar 1 05:02:22.374: %ISDN-6-DISCONNECT: Interface Serial0:17 disconnected from SOHO,
call lasted 2 seconds
*Mar 1 05:02:22.534: %LINK-3-UPDOWN: Interface Serial0:17, changed state to down
*Mar 1 05:02:22.570: RM state:RM_RPM_RES_ALLOCATED event:DIALER_DISCON DS0:0:0:17
*Mar 1 05:02:22.574: RM:RPM event call drop
*Mar 1 05:02:22.574: Deallocated resource from res_group isdn-ports
```

Troubleshooting VPDN Endpoint Problems

The following output from the **debug resource-pool** command displays that the IP endpoint for the VPDN group is not reachable:



Note

Effective with Cisco Release 12.4(11)T, the **L2F protocol** was removed in Cisco IOS software.

```
*Mar 1 05:12:22.330: Se0:21 RM/VPDN/rm-session-request: Allocated vpdn info for domain
NULL MLP Bundle SOHO
*Mar 1 05:12:22.346: RM/VPDN/ACME_VPDN: VP LIMIT/ACTIVE/RESERVED/OVERFLOW are now 5/0/0/0
*Mar 1 05:12:22.350: RM/VPDN/ACME_VPDN: Session reserved for outgoing-2
*Mar 1 05:12:22.382: Se0:21 RM/VPDN: Session has been authorized using
dnis:ACME_dnis_numbers
*Mar 1 05:12:22.386: Se0:21 RM/VPDN/session-reply: NAS name HQ-NAS
*Mar 1 05:12:22.386: Se0:21 RM/VPDN/session-reply: Endpoint addresses 172.16.1.99
*Mar 1 05:12:22.390: Se0:21 RM/VPDN/session-reply: VPDN tunnel protocol l2f
*Mar 1 05:12:22.390: Se0:21 RM/VPDN/session-reply: VPDN Group outgoing-2
*Mar 1 05:12:22.394: Se0:21 RM/VPDN/session-reply: VPDN domain dnis:ACME_dnis_numbers
*Mar 1 05:12:25.762: %ISDN-6-CONNECT: Interface Serial0:21 is now connected to SOHO
*Mar 1 05:12:27.562: %VPDN-5-UNREACH: L2F HGW 172.16.1.99 is unreachable
*Mar 1 05:12:27.578: RM/VPDN: MLP Bundle SOHO Session Connect with 1 Endpoints:
*Mar 1 05:12:27.582: IP 172.16.1.99 Destination unreachable
```

Troubleshooting RPMS

In general, the **debug aaa authorization** command is not used for RPM troubleshooting unless the **debug resource-pool** command display is too vague. The **debug aaa authorization** command is more useful for troubleshooting with RPMS. Following is sample output:

```
Router# debug aaa authorization

AAA Authorization debugging is on

Router# show debug

General OS:
  AAA Authorization debugging is on
Resource Pool:
  resource-pool general debugging is on
```

The following output from the **debug resource-pool** and **debug aaa authorization** commands shows a successful RPM connection:

```
*Mar 1 06:10:35.450: AAA/MEMORY: create_user (0x723D24) user='301001'
ruser='port='DS0:0:0:0:12' rem_addr='102' authn_type=NONE service=NONE priv=0
*Mar 1 06:10:35.462: DS0:0:0:0:12 AAA/AUTHOR/RM call-accept (2784758907):
Port='DS0:0:0:0:12' list='default' service=RM
*Mar 1 06:10:35.466: AAA/AUTHOR/RM call-accept: DS0:0:0:0:12 (2784758907) user= '301001'
*Mar 1 06:10:35.470: DS0:0:0:0:12 AAA/AUTHOR/RM call-accept (2784758907): send AV
service=resource-management
*Mar 1 06:10:35.470: DS0:0:0:0:12 AAA/AUTHOR/RM call-accept (2784758907): send AV
protocol=call-accept
*Mar 1 06:10:35.474: DS0:0:0:0:12 AAA/AUTHOR/RM call-accept (2784758907): send AV
rm-protocol-version=1.0
*Mar 1 06:10:35.478: DS0:0:0:0:12 AAA/AUTHOR/RM call-accept (2784758907): send AV
rm-nas-state=7513368
*Mar 1 06:10:35.482: DS0:0:0:0:12 AAA/AUTHOR/RM call-accept (2784758907): send AV
rm-call-type=speech
```

```
*Mar 1 06:10:35.486: DS0:0:0:0:12 AAA/AUTHOR/RM call-accept (2784758907): send AV
rm-request-type=dial-in
*Mar 1 06:10:35.486: DS0:0:0:0:12 AAA/AUTHOR/RM call-accept (2784758907): send AV
rm-link-type=isdn
*Mar 1 06:10:35.490: DS0:0:0:0:12 AAA/AUTHOR/RM call-accept (2784758907): found list
"default"
*Mar 1 06:10:35.494: DS0:0:0:0:12 AAA/AUTHOR/RM call-accept (2784758907): Method=LOCAL
*Mar 1 06:10:35.498: DS0:0:0:0:12 AAA/AUTHOR/RM/local (2784758907):Received DNIS=301001
*Mar 1 06:10:35.498: DS0:0:0:0:12 AAA/AUTHOR/RM/local (2784758907):Received CLID=102
*Mar 1 06:10:35.502: DS0:0:0:0:12 AAA/AUTHOR/RM/local (2784758907):Received
Port=DS0:0:0:0:12
*Mar 1 06:10:35.506: DS0:0:0:0:12 AAA/AUTHOR/RM/local (2784758907): Received AV
service=resource-management
*Mar 1 06:10:35.510: DS0:0:0:0:12 AAA/AUTHOR/RM/local (2784758907): Received AV
protocol=call-accept
*Mar 1 06:10:35.510: DS0:0:0:0:12 AAA/AUTHOR/RM/local (2784758907): Received AV
rm-protocol-version=1.0
*Mar 1 06:10:35.514: DS0:0:0:0:12 AAA/AUTHOR/RM/local (2784758907): Received AV
rm-nas-state=7513368
*Mar 1 06:10:35.518: DS0:0:0:0:12 AAA/AUTHOR/RM/local (2784758907): Received AV
rm-call-type=speech
*Mar 1 06:10:35.522: DS0:0:0:0:12 AAA/AUTHOR/RM/local (2784758907): Received AV
rm-request-type=dial-in
*Mar 1 06:10:35.526: DS0:0:0:0:12 AAA/AUTHOR/RM/local (2784758907): Received AV
rm-link-type=isdn
*Mar 1 06:10:35.542: AAA/AUTHOR (2784758907): Post authorization status = PASS_REPL
*Mar 1 06:10:35.546: DS0:0:0:0:12 AAA/AUTHOR/RM/call-accept (2784758907): Processing AV
service=resource-management
*Mar 1 06:10:35.550: DS0:0:0:0:12 AAA/AUTHOR/RM/call-accept (2784758907): Processing AV
protocol=call-accept
*Mar 1 06:10:35.554: DS0:0:0:0:12 AAA/AUTHOR/RM/call-accept (2784758907): Processing AV
rm-protocol-version=1.0
*Mar 1 06:10:35.558: DS0:0:0:0:12 AAA/AUTHOR/RM/call-accept (2784758907): Processing AV
rm-response-code=overflow
*Mar 1 06:10:35.558: DS0:0:0:0:12 AAA/AUTHOR/RM/call-accept (2784758907): Processing AV
rm-call-handle=47
*Mar 1 06:10:35.562: DS0:0:0:0:12 AAA/AUTHOR/RM/call-accept (2784758907): Processing AV
rm-call-count=2
*Mar 1 06:10:35.566: DS0:0:0:0:12 AAA/AUTHOR/RM/call-accept (2784758907): Processing AV
rm-cp-name=ACME
*Mar 1 06:10:35.570: DS0:0:0:0:12 AAA/AUTHOR/RM/call-accept (2784758907): Processing AV
rm-rg-name#0=MICA-modems
*Mar 1 06:10:35.574: DS0:0:0:0:12 AAA/AUTHOR/RM/call-accept (2784758907): Processing AV
rm-rg-service-name#0=gold
*Mar 1 06:10:35.578: DS0:0:0:0:12 AAA/AUTHOR/RM/call-accept (2784758907): Processing AV
rm-call-treatment=busy
*Mar 1 06:10:35.582: DS0:0:0:0:12 AAA/AUTHOR/RM/call-accept (2784758907): Processing AV
rm-call-type=speech
```

Configuration Examples for RPM

The following sections provide RPM configuration examples:

- [Standard Configuration for RPM Example](#)
- [Customer Profile Configuration for DoVBS Example](#)
- [DNIS Discriminator Profile Example](#)
- [CLID Discriminator Profile Example](#)
- [Direct Remote Services Configuration Example](#)

- [VPDN Configuration Example](#)
- [VPDN Load Sharing and Backing Up Between Multiple HGW/LNSs Example](#)

Standard Configuration for RPM Example

The following example demonstrates a basic RPM configuration:

```
resource-pool enable
resource-pool call treatment resource busy
resource-pool call treatment profile no-answer
!
resource-pool group resource isdn-ports
range limit 46
resource-pool group resource MICA-modems
range port 1/0 2/23
!
resource-pool profile customer ACME
limit base-size 30
limit overflow-size 10
resource isdn-ports digital
resource MICA-modems speech service gold
dnis group ACME_dnis_numbers
!
resource-pool profile customer DEFAULT
limit base-size 10
resource MICA-modems speech service silver
dnis group default

resource-pool profile discriminator deny_DNIS
call-type digital
dnis group bye-bye
!
resource-pool profile service gold
modem min-speed 33200 max-speed 56000 modulation v90
resource-pool profile service silver
modem min-speed 19200 max-speed 33200 modulation v34
!
resource-pool aaa protocol local
!
dialer dnis group ACME_dnis_numbers
number 301001
dialer dnis group bye-bye
number 301005
```



Tip

- Replace the command string **resource isdn-ports digital** in the previous example with **resource isdn-ports speech** to set up DoVBS. See the section, “[Customer Profile Configuration for DoVBS Example](#),” for more information.

Digital calls to 301001 are associated with the customer ACME by using the resource group “isdn-ports.”

- Speech calls to 301001 are associated with the customer ACME by using the resource group “mica-modems” and allow for V.90 connections (anything less than V.90 is also allowed).
- Digital calls to 301005 are denied.
- All other speech calls to any other DNIS number are associated with the customer profile “DEFAULT” by using the resource group “mica-modems” and allow for V.34 connections (anything more than V.34 is not allowed; anything less than V.34 is also allowed).

- All other digital calls to any other DNIS number are not associated with a customer profile and are therefore not allowed.
- The customer profile named “DEFAULT” serves as the default customer profile for speech calls only. If the solution uses an external RPMS server, this same configuration can be used for backup resource pooling if communication is lost between the NAS and the RPMS.

Customer Profile Configuration for DoVBS Example

To allow ISDN calls with a speech bearer capability to be directed to digital resources, make the following change (highlighted in bold) to the configuration shown in the previous section, “[Standard Configuration for RPM Example](#)”:

```
resource-pool profile customer ACME
  limit base-size 30
  limit overflow-size 10
  resource isdn-ports speech
  dnis group ACME_dnis_numbers
```

This change causes ISDN speech calls (in addition to ISDN digital calls) to be directed to the resource “isdn-ports”; thus, ISDN speech calls provide DoVBS.

DNIS Discriminator Profile Example

The following is sample configuration for a DNIS discriminator. It shows how to enable resource pool management, configure a customer profile, create DNIS groups, and add numbers to the DNIS groups.

```
aaa new-model
!
! Enable resource pool management
resource-pool enable
!
resource-pool group resource digital
  range limit 20
!
! Configure customer profile
resource-pool profile customer cpl
  limit base-size all
  limit overflow-size 0
  resource digital digital
  dnis group ok
!
!
isdn switch-type primary-5ess
!
controller T1 0
  framing esf
  clock source line primary
  linecode b8zs
  pri-group timeslots 1-24
!
interface Loopback1
  ip address 192.168.0.0 255.255.255.0
!
interface Serial0:23
  ip unnumbered Loopback1
  encapsulation ppp
```

```

ip mroute-cache
dialer-group 1
isdn switch-type primary-5ess
no peer default ip address
ppp authentication chap
!
! Configure DNIS groups
dialer dnis group blot
number 5552003
number 3456789
number 2345678
number 1234567
!
dialer dnis group ok
number 89898989
number 5551003
!
dialer-list 1 protocol ip permit

```

CLID Discriminator Profile Example

The following is a sample configuration of a CLID discriminator. It shows how to enable resource pool management, configure resource groups, configure customer profiles, configure CLID groups and DNIS groups, and add them to discriminator profiles.

```

version xx.x
no service pad
service timestamps debug uptime
service timestamps log uptime
no service password-encryption
!
hostname cisco-machine
!
aaa new-model
aaa authentication login djm local
!
username eagle password ***
username infiniti password ***
spe 1/0 1/7
firmware location system:/ucode/mica_port_firmware
spe 2/0 2/7
firmware location system:/ucode/mica_port_firmware
!
! Enable resource pool management
resource-pool enable
!
! Configure resource groups
resource-pool group resource digital
range limit 20
!
! Configure customer profiles
resource-pool profile customer cp1
limit base-size all
limit overflow-size 0
resource digital digital
dnis group ok
!
! Configure discriminator profiles
resource-pool profile discriminator baadaabing
call-type digital
clid group stompIt

```



```
!
resource-pool profile discriminator baadaaboom
  call-type digital
  clid group splat
!
ip subnet-zero
!
isdn switch-type primary-5ess
chat-script dial ABORT BUSY "" AT OK "ATDT \T" TIMEOUT 30 CONNECT \c
!
!
mta receive maximum-recipients 0
partition flash 2 8 8
!
!
controller T1 0
  framing esf
  clock source line primary
  linecode b8zs
  pri-group timeslots 1-24
!
controller T1 1
  shutdown
  clock source line secondary 1
!
controller T1 2
  shutdown
  clock source line secondary 2
!
controller T1 3
  shutdown
  clock source line secondary 3
!
controller T1 4
  shutdown
  clock source line secondary 4
!
controller T1 5
  shutdown
  clock source line secondary 5
!
controller T1 6
  shutdown
  clock source line secondary 6
!
controller T1 7
  shutdown
  clock source line secondary 7
!
interface Loopback0
  ip address 192.168.12.1 255.255.255.0
!
interface Loopback1
  ip address 192.168.15.1 255.255.255.0
!
interface Loopback2
  ip address 192.168.17.1 255.255.255.0
!
interface Ethernet0
  ip address 10.0.39.15 255.255.255.0
  no ip route-cache
  no ip mroute-cache
!
interface Serial0
```

```
no ip address
no ip route-cache
no ip mroute-cache
shutdown
no fair-queue
clockrate 2015232
!
interface Serial1
no ip address
no ip route-cache
no ip mroute-cache
shutdown
no fair-queue
clockrate 2015232
!
interface Serial2
no ip address
no ip route-cache
no ip mroute-cache
shutdown
no fair-queue
clockrate 2015232
!
interface Serial3
no ip address
no ip route-cache
no ip mroute-cache
shutdown
no fair-queue
clockrate 2015232
!
interface Serial0:23
ip unnumbered Loopback1
encapsulation ppp
ip mroute-cache
dialer-group 1
isdn switch-type primary-5ess
no peer default ip address
ppp authentication chap pap
!
interface FastEthernet0
ip address 10.0.38.15 255.255.255.0
no ip route-cache
no ip mroute-cache
duplex half
speed 100
!
!
ip local pool default 192.168.13.181 192.168.13.226
ip classless
ip route 172.25.0.0 255.0.0.0 Ethernet0
ip route 172.19.0.0 255.0.0.0 Ethernet0
no ip http server
!
!
! Configure DNIS groups
dialer dnis group blot
number 4085551003
number 5552003
number 2223333
number 3456789
number 2345678
number 1234567
!
```

```

dialer dnis group ok
  number 89898989
  number 4084442002
  number 4085552002
  number 5551003
!
dialer clid group splat
  number 12321224
!
! Configure CLID groups
dialer clid group zot
  number 2121212121
  number 4085552002
!
dialer clid group snip
  number 1212121212
!
dialer clid group stompIt
  number 4089871234
!
dialer clid group squash
  number 5656456
dialer-list 1 protocol ip permit
!
!
!
line con 0
  exec-timeout 0 0
  logging synchronous
  transport input none
line 1 96
  no exec
  exec-timeout 0 0
  autoselect ppp
line aux 0
line vty 0 4
  exec-timeout 0 0
  transport input none
!
scheduler interval 1000
end

```

Direct Remote Services Configuration Example

The following example shows a direct remote services configuration:

```

resource-pool profile customer ACME
  limit base-size 30
  limit overflow-size 10
  resource isdn-ports digital
  resource MICA-modems speech service gold
  dnis group ACME_dnis_numbers
  aaa group-configuration tahoe
  source template acme_direct
!
resource-pool profile customer DEFAULT
  limit base-size 10
  resource MICA-modems speech service silver
  dnis group default
resource-pool profile discriminator deny_DNIS
  call-type digital
  dnis group bye-bye

```

```

!
resource-pool profile service gold
  modem min-speed 33200 max-speed 56000 modulation v90
resource-pool profile service silver
  modem min-speed 19200 max-speed 33200 modulation v34
!
resource-pool aaa protocol local
!
template acme_direct
  peer default ip address pool tahoe
  ppp authentication chap isdn-users
  ppp multilink
!
dialer dnis group ACME_dnis_numbers
  number 301001
dialer dnis group bye-bye
  number 301005

```

VPDN Configuration Example

Adding the following commands to those listed in the section “[Standard Configuration for RPM Example](#)” earlier in this chapter allows you to use VPDN by setting up a VPDN profile and a VPDN group:



Note

If the limits imposed by the VPDN profile are not required, do not configure the VPDN profile. Replace the **vpdn profile ACME_VPDN** command under the customer profile ACME with the **vpdn group outgoing-2** command.

```

resource-pool profile vpdn ACME_VPDN
  limit base-size 6
  limit overflow-size 0
  vpdn group outgoing-2
!
resource-pool profile customer ACME
  limit base-size 30
  limit overflow-size 10
  resource isdn-ports digital
  resource MICA-modems speech service gold
  dnis group ACME_dnis_numbers
!
vpdn profile ACME_VPDN
!
vpdn enable
!
vpdn-group outgoing-2
  request dialin
  protocol 12f
  dnis ACME_dnis_numbers
  local name HQ-NAS
  initiate-to ip 172.16.1.9
  multilink bundle 1
  multilink link 2
!
dialer dnis group ACME_dnis_numbers
  number 301001

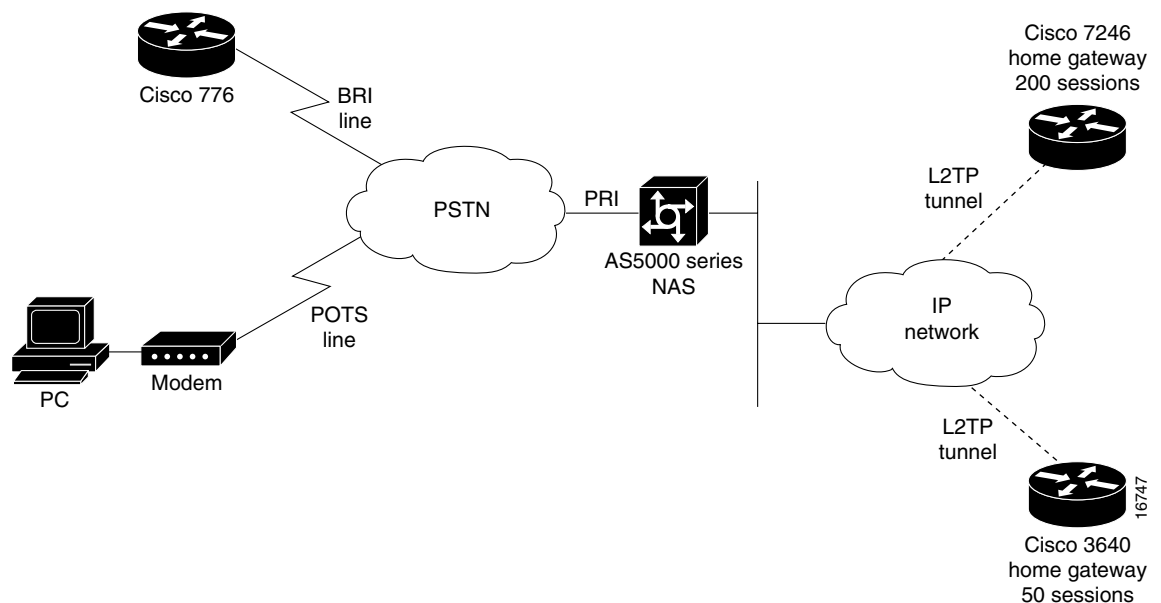
```

VPDN Load Sharing and Backing Up Between Multiple HGW/LNSs Example

Cisco IOS software enables you to balance and back up VPDN sessions across multiple tunnel endpoints (HGW/LNS). When a user or session comes into the NAS/LAC, a VPDN load-balancing algorithm is triggered and applied to the call. The call is then passed to an available HGW/LNS. You can modify this function by limiting the number of sessions supported on an HGW/LNS router and limiting the number of MLP bundles and links.

Figure 11 shows an example of one NAS/LAC that directs calls to two HGW/LNS routers by using the L2TP tunneling protocol. Each router has a different number of supported sessions and works at a different speed. The NAS/LAC is counting the number of active simultaneous sessions sent to each HGW/LNS.

Figure 11 Home Gateway Load Sharing and Backup



In a standalone NAS environment (no RPMS server used), the NAS has complete knowledge of the status of tunnel endpoints. Balancing across endpoints is done by a “least-filled tunnel” or a “next-available round robin” approach. In an RPMS-controlled environment, RPMS has the complete knowledge of tunnel endpoints. However, the NAS still has the control over those tunnel endpoints selected by RPMS.

A standalone NAS uses the following default search criteria for load-balancing traffic across multiple endpoints (HGW/LNS):

- Select any idle endpoint—an HGW/LNS with no active sessions.
- Select an active endpoint that currently has a tunnel established with the NAS.
- If all specified load-sharing routers are busy, select the backup HGW. If all endpoints are busy, report that the NAS cannot find an IP address to establish the call.



Note

This default search order criteria is independent of the Cisco RPMS application scenario. A standalone NAS uses a different load-sharing algorithm than the Cisco RPMS. This search criteria will change as future enhancements become available.

The following is an example of VPDN load sharing between multiple HGW/LNSs:

```
vpdn enable
!
vpdn-group outgoing-2
 request dialin
  protocol l2tp
  dnis ACME_dnis_numbers
 local name HQ-NAS
 initiate-to ip 172.16.1.9
 loadsharing ip 172.16.1.9 limit 200
 loadsharing ip 172.16.2.17 limit 50
 backup ip 172.16.3.22
```

Cisco and the Cisco Logo are trademarks of Cisco Systems, Inc. and/or its affiliates in the U.S. and other countries. A listing of Cisco's trademarks can be found at www.cisco.com/go/trademarks. Third party trademarks mentioned are the property of their respective owners. The use of the word partner does not imply a partnership relationship between Cisco and any other company. (1005R)

Any Internet Protocol (IP) addresses and phone numbers used in this document are not intended to be actual addresses and phone numbers. Any examples, command display output, network topology diagrams, and other figures included in the document are shown for illustrative purposes only. Any use of actual IP addresses or phone numbers in illustrative content is unintentional and coincidental.

© 2007–2009 Cisco Systems, Inc. All rights reserved.



Configuring Wholesale Dial Performance Optimization

This chapter describes the Wholesale Dial Performance Optimization feature in the following sections:

- [Wholesale Dial Performance Optimization Feature Overview](#)
- [How to Configure Automatic Command Execution](#)
- [How to Configure TCP Clear Performance Optimization](#)
- [Verifying Configuration of Preauthentication with ISDN PRI and Channel-Associated Signalling](#)



Note

This task provides inbound and outbound performance optimization for wholesale dial customers who provide ports to America Online (AOL). It is configured only on Cisco AS5800 access servers.

Wholesale Dial Performance Optimization Feature Overview

Both the inbound and outbound aspects of this feature are enabled using the **autocommand-options telnet-faststream** command.

- **Outbound**—Provides stream processing, allowing the output data processing to occur at the interrupt level. Being event driven, this removes polling and process switching overhead. In addition, the flow control algorithm is enhanced to handle the higher volume of traffic and to eliminate some out-of-resource conditions that could result in abnormal termination of the session.
- **Inbound**—Provides stream processing with the same improvements as for outbound traffic. Also, it removes scanning for special escape characters in the data stream; this is very process-intensive and is not required for this application. (In other situations, the escape characters allow for a return to the privileged EXEC mode prompt (#) on the router.) In addition, Nagle's algorithm is used to form the inbound data stream into larger packets, thus minimizing packet-processing overhead.

This configuration is designed to provide more efficiency in the data transfers for AOL port suppliers who are using a Cisco network access server to communicate with a wholesale dial carrier.

The Cisco AS5800 access server is required to support all dial-in lines supported by two complete T3 connections (that is, 1344 connections) running TCP Clear connections to an internal host. The desired average data throughput for these connections is 6 kbps outbound and 3 kbps inbound.



Americas Headquarters:
Cisco Systems, Inc., 170 West Tasman Drive, San Jose, CA 95134-1706 USA

When using the **autocommand-options telnet-faststream** command, no special character processing, including break recognition, is performed on incoming data from the dial shelf. This requires the TCP Clear connection to run as the sole connection on the TTY line. This sole connection is terminated by TTY line termination or TCP connection termination, with no EXEC session capability for the user. This has been implemented by specifying a new **autocommand-options telnet-faststream** command that, in conjunction with the **autocommand telnet** command with the **/stream** option, enables Telnet faststream processing. This capability is also available for TACACS/RADIUS attribute-value pair processing, because this processing uses the **autocommand** facility.

How to Configure Automatic Command Execution

The following are three options for configuring the **autocommand telnet /stream** line configuration command:

- Automatic command execution can be configured on the lines.
- Automatic command execution can be configured using user ID and password.
- Automatic command execution can also be configured at a TACACS/RADIUS server, if the username authentication is to be performed there, rather than on the router.

To configure automatic command execution on the lines of a Cisco AS5800 universal network access server, use the following commands beginning in global configuration mode:

	Command	Purpose
Step 1	Router(config)# line 1/3/00 1/11/143	Selects the lines to be configured and begins line configuration mode.
Step 2	Router(config-line)# autocommand telnet aol-host 5190 /stream	Configures autocommand on the lines.

To configure automatic command execution using a user ID and password on a Cisco AS5800 universal network access server, use the following commands beginning in global configuration mode:

	Command	Purpose
Step 1	Router(config)# username aol password aol	Defines the user ID and password.
Step 2	Router(config)# username aol autocommand telnet aol-host 5190 /stream	Configures autocommand on the user ID.

You can also configure automatic command execution at a TACACS/RADIUS server if the username authentication is to be performed there rather than on the router. The AV-pair processing allows autocommand to be configured.

How to Configure TCP Clear Performance Optimization

To enable TCP Clear performance optimization, automatic command execution must be configured to enable Telnet faststream capability. To implement TCP Clear performance optimization on a Cisco AS5800 universal network access server, use the following commands beginning in global configuration mode:

	Command	Purpose
Step 1	Router(config)# line 1/3/00 1/11/143	Selects the lines to be configured and begins line configuration mode.
Step 2	Router(config-line)# autocommand telnet-faststream	Enables the TCP Clear performance optimization on the selected lines.

Verifying Configuration of Preauthentication with ISDN PRI and Channel-Associated Signalling

To check for correct configuration, use the **show line** command. In the following example, Telnet faststream is enabled under “Capabilities”.

```
Router# show line 1/4/00
```

```

    Tty Typ      Tx/Rx    A Modem  Roty AccO AccI   Uses   Noise  Overruns  Int
*   1/4/00 Digital modem - inout    -   -   -       1       0     0/0     -

```

```
Line 1/4/00, Location: "", Type: ""
```

```
Length: 24 lines, Width: 80 columns
```

```
Status: PSI Enabled, Ready, Connected, Active, No Exit Banner
```

```
Modem Detected
```

```
Capabilities: Hardware Flowcontrol In, Hardware Flowcontrol Out
```

```
Modem Callout, Modem RI is CD, Line usable as async interface
```

```
Hangup on Last Close, Modem Autoconfigure, Telnet Faststream
```

```
Modem state: Ready
```

```
Modem hardware state: CTS DSR DTR RTS
```

```
modem=1/4/00, vdev_state(0x00000000)=CSM_OC_STATE, bchan_num=(T1 1/2/0:7:20)
```

```
vdev_status(0x00000001): VDEV_STATUS_ACTIVE_CALL.
```

```
Group codes:      0, Modem Configured
```

```
Special Chars: Escape Hold Stop Start Disconnect Activation
```

```
^^x none - - none
```

```
Timeouts: Idle EXEC Idle Session Modem Answer Session Dispatch
           never      never      none      not set
```

```
Idle Session Disconnect Warning
```

```
never
```

```
Login-sequence User Response
```

```
00:00:30
```

```
Autoselect Initial Wait
```

```
not set
```

```
Modem type is 9600.
```

```
Session limit is not set.
```

```
Time since activation: never
```

```
Editing is enabled.
```

```
History is enabled, history size is 10.
```

```
DNS resolution in show commands is enabled
```

```
Full user help is disabled
```

```
Allowed transports are telnet. Preferred is lat.
```

```
Automatically execute command "telnet 10.100.254.254 2145 /stream"
```

```
No output characters are padded
```

Cisco and the Cisco Logo are trademarks of Cisco Systems, Inc. and/or its affiliates in the U.S. and other countries. A listing of Cisco's trademarks can be found at www.cisco.com/go/trademarks. Third party trademarks mentioned are the property of their respective owners. The use of the word partner does not imply a partnership relationship between Cisco and any other company. (1005R)

Any Internet Protocol (IP) addresses and phone numbers used in this document are not intended to be actual addresses and phone numbers. Any examples, command display output, network topology diagrams, and other figures included in the document are shown for illustrative purposes only. Any use of actual IP addresses or phone numbers in illustrative content is unintentional and coincidental.

© 200–2009 Cisco Systems, Inc. All rights reserved.



Appendix



Modem Initialization Strings

This appendix provides tables that contain modem initialization strings and sample modem initialization scripts. [Table 1](#) lists required settings, and error compression (EC) and compression settings for specific modem types. Use this information to create your modem scripts. [Table 2](#) lists information for setting AUX ports. See [Table 3](#) for a legend of symbols used in these two tables. Sample scripts follow the tables.

For information about configuring lines to support modems, see the chapters in the part “Modem and Dial Shelf Configuration and Management” in this publication.

Table 1 Required Settings and EC/Compression Settings

Settings Required for All Modems					Settings for EC/Compression					
Modem	FD	AA	CD	DTR	RTS/CTS Flow	LOCK DTE Speed	Best Error	Best Comp	No Error	No Comp
Codex 3260	&F	S0=1	&C1	&D3	*FL3	*SC1	*SM3	*DC1	*SM1	*DC0
USR Courier USR Sportster	&F	S0=1	&C1	&D3	&H1&R 2	&B1	&M4	&K1	&M0	&K0
Global Village Teleport Gold	&F	S0=1	&C1	&D3	\Q3	\J0	\N7	%C1	\N0	%C0
Telebit T1600/T3000/ WB	&F1	S0=1	&C1	&D3	S58=2 S68=2	S51=6	S180=2 S181=1	S190=1	S180=0 S181=1	S190=0
Telebit T2500 (ECM)	&F	S0=1	&C1	&D3	S58=2 S68=2	S51=6	S95=2	S98=1 S96=1	S95=0	S98=0 S96=0
Telebit Trailblazer	&F	S0=1	&C1							
AT&T Paradyne Dataport	&F	S0=1	&C1	&D3	\Q3	--->	\N7	%C1	\N0	%C0
Hayes modems Accura/ Optima	&F	S0=1	&C1	&D3	&K3	&Q6	&Q5	&Q9	&Q6	<---



Table 1 Required Settings and EC/Compression Settings (continued)

Settings Required for All Modems					Settings for EC/Compression					
Modem	FD	AA	CD	DTR	RTS/CTS Flow	LOCK DTE Speed	Best Error	Best Comp	No Error	No Comp
Microcom QX4232 series	&F	S0=1	&C1	&D3	\Q3	\J0	\N6	%C1	\N0	%C0
Motorola UDS FastTalk II	&F	S0=1	&C1	&D3	\Q3	\J0	\N6	%C1	\N0	%C0
Multitech MT1432 MT932	&F	S0=1	&C1	&D3	&E4	\$BA0	&E1	&E15	&E0	&E14
Digicom Scout Plus	&F	S0=1	&C1	&D3	*F3	*S1	*E9	<---	*E0	<---
Digicom SoftModem	&F	S0=1	&C1	&D3	&K3	--->	\N5	%C1	\N0	%C0
Viva 14.4/9642c	&F	S0=1	&C1	&D3	&K3	--->	\N3	%M3	\N0	%M0
ZyXel U-1496E	&F	S0=1	&C1	&D3	&H3	&B1	&K4	<---	&K0	<---
Supra V.32bis/28.8	&F	S0=1	&C1	&D3	&K3	--->	\N3	%C1	\N0	%C0
ZOOM 14.4	&F	S0=1	&C1	&D3	&K3	--->	\N3	%C2	\N0	%C0
Intel External	&F	S0=1	&C1	&D3	\Q3	\J0	\N3	%C1"H 3	\N0	%C0
Practical Peripherals	&F	S0=1	&C1	&D3	&K3	--->	&Q5	&Q9	&Q6	<---

Table 2 *AUX and Platform Specific Settings*

Modem	Settings for Use with AUX Port		Other Settings		Comments
	No Echo	No Res	CAB-MDCE	Write Memory	
Codex 3260	E0	Q1	&S1	&W	
USR Courieræ USR Sportster	E0	Q1	*NA*	&W	
Global Village Teleport Gold	E0	Q1	*NA*	&W	
Telebit T1600/T3000/ WB	E0	Q1	&S4	&W	All Telebit modems need to have the speed set explicitly. These examples use 38400 bps. Using what Telebit calls "UNATTENDED ANSWER MODE" is the best place to start a dial in only modem.
Telebit T2500 (ECM)	E0	Q1	&S1	&W	
Telebit Trailblazer	E0	Q1	*NA*	&W	Use "ENHANCED COMMAND MODE" on the T2500.
AT&T Paradyne Dataport	E0	Q1	*NA*	&W	Almost all Microcom modems have similar configuration parameters.
Hayes modems Accura/ Optima	E0	Q1	*NA*	&W	
Microcom QX4232 series	E0	Q1	*NA*	&W	
Motorola UDS FastTalk II	E0	Q1	*NA*	&W	
Multitech MT1432 MT932	E0	Q1	&S1	&W	
Digicom Scout Plus	E0	Q2	&B2	&W	
Digicom SoftModem	E0	Q1	&S1	&W	
Viva 14.4/9642c	E0	Q1	&S1	&W	
ZyXel U-1496E	E0	Q1	&S1	&W	Additional information on ftp.zyxel.com
Supra V.32bis/28.8	E0	Q1	&S1	&W	
ZOOM 14.4	E0	Q1	&S1	&W	

Table 2 *AUX and Platform Specific Settings (continued)*

Modem	Settings for Use with AUX Port		Other Settings		Comments
	No Echo	No Res	CAB-MDCE	Write Memory	
Intel External	E0	Q1	*NA*	&W	
Practical Peripherals	E0	Q1	*NA*	&W	Based on PC288LCD. May vary.

Table 3 contains a legend of symbols used in Table 1 and Table 2.

Table 3 *Legend to Symbols Used in Modem Chart*

Symbol	Meaning
NA	This option is not available on the noted modem.
-->	The command noted on the right will handle that function.
<--	The command noted on the left will handle that function.
AUX port	These parameters are only required for pre-9.21 AUX ports or any other port without modem control set.

Sample Modem Scripts

The following are several modem command strings that are appropriate for use with your access server or router. For use with the access server, **Speed=xxxxxx** is a suggested value only. Set the DTE speed of the modem to its maximum capability. By making a reverse Telnet connection in the EXEC mode to the port on the access server where the modem is connected, then sending an **at** command followed by a carriage return.

In the following example, the modem is attached to asynchronous interface 2 on the access server. The IP address indicated as the server-ip-address is the IP address of the Ethernet 0 interface. The administrator connects from the EXEC to asynchronous interface 2, which has its IP address assigned from Ethernet 0.

```
2511> telnet server-ip-address port-number
          192.156.154.42    2002
```

AST Premium Exec Internal Data/Fax (MNP 5)

```
Init=AT&F&C1&D3\G0\J0\N3\Q2S7=60S0=1&W
Speed=9600
```

ATi 9600etc/e (V.42bis)

```
Init=AT&FW2&B1&C1&D3&K3&Q6&U1S7=60S0=1&W
Speed=38400
```

AT&T Paradyne KeepInTouch Card Modem (V.42bis)

```
Init=AT&FX6&C1&D3\N7\Q2%C1S7=60S0=1&w
Speed=57600
```


AT&T ComSphere 3800 Series (V.42bis)

```
Init=AT&FX6&C1&D2\N5\Q2%C1"H3S7=60S0=1&W  
Speed=57600
```

AT&T DataPort Fax Modem (V.42bis)

```
Init=AT&FX6&C1&D2\N7\Q2%C1S7=60S0=1&W  
Speed=38400
```

Boca Modem 14.4K/V.32bis (V.42bis)

```
Init=AT&FW2&C1&D3&K3&Q5%C1\N3S7=60S36=7S46=138S95=47S0=1&W  
Speed=57600
```

CALPAK MXE-9600

```
Init=AT&F&C1&D3S7=60S0=1&W  
Speed=9600
```

Cardinal 2450MNP (MNP 5)

```
Init=AT&F&C1&D3\J0\N3\Q2\V1%C1S7=60S0=1&W  
Speed=9600
```

Cardinal 9650V32 (MNP)

```
Init=AT&F&B1&C1&D3&H1&I1&M6S7=60S0=1&W
```

Cardinal 9600V42 (V.42bis)

```
Init=AT&FW2&C1&D3&K3&Q5\N3%C1%M3S7=60S46=138S48=7S95=3S0=1&W  
Speed=38400
```

Cardinal 14400 (V.42bis)

```
Init=AT&F&C1&D3&K3&Q5\N3%C1%M3S7=60S46=138S48=7S95=47S0=1&W  
Speed=57600
```

COMPAQ SpeedPAQ 144 (V.42bis)

```
Init=AT&F&C1&D3&K3&Q5\J0\N3%C1S7=60S36=7S46=2S48=7S95=47S0=1&W  
Speed=57600
```

Data Race RediMODEM V.32/V.32bis

```
Init=AT&F&C1&D3&K3&Q6\J0\N7\Q3\V2%C1S7=60 Speed=38400S0=1&W
```

Dell NX20 Modem/Fax (MNP)

```
Init=AT&F&C1&D3%C1\J0\N3\Q3\V1W2S7=60S0=1&W  
Speed=9600
```

Digicom Systems (DSI) 9624LE/9624PC (MNP 5)

```
Init=AT&F&C1&D3*E1*F3*S1S7=60S0=1&W
```

Digicom Systems (DSI) 9624LE+ (V.42bis)

```
Init=AT&F&C1&D3*E9*F3*N6*S1S7=60S0=1&W  
Speed=38400
```

Everex Evercom 24+ and 24E+ (MNP 5)

```
Init=AT&F&C1&D3\J0\N3\Q2\V1%C1S7=60S0=1&W
```

Everex EverFax 24/96 and 24/96E (MNP 5)

```
Init=AT&F&C1&D3\J0\N3\Q2\V1%C1S7=60S0=1&W
Speed=9600
```

Everex Evercom 96+ and 96E+ (V.42bis)

```
Init=AT&FW2&C1&D3\J0\N3\Q2\V2%C1S7=60S0=1&W
Speed=38400
```

Freedom Series V.32bis Data/FAX Modem

```
Init=AT&F&C1&D3&K3&Q6\J0\N7\Q3\V2%C1S7=60S0=1&W
Speed=38400
```

Gateway 2000 TelePath

```
Init=AT&FW2&C1&D3&K3&Q5\N3%C1S7=60S36=7S46=138S48=7S95=47S0=1&W
Speed=38400
```

Gateway 2000 Nomad 9600 BPS Internal Modem

```
Init=AT&F&C1&D3%C1\J0\N3\Q2S7=60S0=1&W
Speed=38400
```

GVC SM-96V (V.42bis)

```
Init=AT&F&C1&D3%C1\J0\N6\Q2\V1S7=60S0=1&W
Speed=38400
```

GVC SM-144V (V.42bis)

```
Init=AT&F&C1&D3%C1\J0\N6\Q2\V1S7=60S0=1&W
Speed=57600
```

Hayes Smartmodem Optima 9600 (V.42bis)

```
Init=AT&FW2&C1&D3&K3&Q5S7=60S46=138S48=7S95=47S0=1&W
Speed=38400
```

Hayes Smartmodem Optima 14400 (V.42bis)

```
Init=AT&FW2&C1&D3&K3&Q5S7=60S46=138S48=7S95=47S0=1&W
Speed=57600
```

Hayes Optima 28800 (V.34)

```
Init=AT&FS0=1&C1&D3&K3&Q6&Q5&Q9&W
Speed=115200
```

Hayes V-series Smartmodem 9600/9600B (V.42)

```
Init=AT&F&C1&D3&K3&Q5S7=60S0=1&W
Speed=9600
```

Hayes V-series ULTRA Smartmodem 9600 (V.42bis)

```
Init=AT&F&C1&D3&K3&Q5S7=60S46=2S48=7S95=63S0=1&W
Speed=38400
```

Hayes V-series ULTRA Smartmodem 14400 (V.42bis)

```
Init=AT&FW2&C1&D3&K3&Q5S7=60S38=10S46=2S48=7S95=63S0=1&W
Speed=38400
```

Hayes ACCURA 24 EC (V.42bis)

```
Init=AT&FW2&C1&D3&K3&Q5S7=60S36=7S46=138S48=7S95=47S0=1&W
```

Hayes ACCURA 96 EC (V.42bis)

```
Init=AT&FW2&C1&D3&K3&Q5S7=60S36=7S46=138S48=7S95=47S0=1&W
Speed=38400
```

Hayes ACCURA 144 EC (V.42bis)

```
Init=AT&FW2&C1&D3&K3&Q5S7=60S36=7S46=138S48=7S95=47S0=1&W
Speed=57600
```

Hayes ISDN System Adapter

```
Init=AT&FW1&C1&D3&K3&Q0S7=60S0=1&W
Speed=57600
```

IBM 7855 Modem Model 10 (MNP)

```
Init=AT&F&C1&D3\N3\Q2\V1%C1S7=60S0=1&W
```

IBM Data/Fax Modem PCMCIA (V.42bis)

```
Init=AT&F&C1&D3&K3&Q5%C3\N3S7=60S38=7S46=138S48=7S95=47S0=1&W
Speed=57600
```

Identity ID9632E

```
Init=AT&F&C1&D3S7=60S0=1&W
Speed=9600
```

Infotel V.42X (V.42bis)

```
Init=AT&F&C1&D3S7=30S36=7S0=1&W
Speed=9600
```

Infotel V.32 turbo (V.42bis)

```
Init=AT&FW1&C1&D3&K3&Q5S7=60S0=1&w
Speed=38400
```

Infotel 144I (V.42bis)

```
Init=AT&F&C1&D3&K3&Q5\N3%C1S7=60S36=7S46=138S48=7S95=47S0=1&W
Speed=38400
```

Intel 9600 EX (V.42bis)

```
Init=AT&F&C1&D3\J0\N3\Q2\V2%C1"H3S7=60S0=1&W
Speed=38400
```

Intel 14400 EX (V.42bis)

```
Init=AT&F&C1&D3\J0\N3\Q2\V2%C1"H3S7=60S0=1&W
Speed=38400
```

Macronix MaxFax 9624LT-S

```
Init=AT&F&C1&D3&K3&Q9\J0\N3\Q3%C1S7=60S36=7S46=138S48=7S95=47S0=1&W
Speed=9600
```

Megahertz T3144 internal (V.42bis)

```
Init=AT&F&C1&D3%C1\J0\N3\Q2\V2S7=60S0=1&W
Speed=57600
```

Megahertz T324FM internal (V.42bis)

```
Init=AT&F&C1&D3%C1\J0\N3\Q2\V1S7=60S46=138S48=7S0=1&W
Speed=9600
```

Megahertz P2144 FAX/Modem (V.42bis)

```
Init=AT&F&C1&D3%C1\J0\N7\Q2\V2S7=60S0=1&W  
Speed=38400
```

Megahertz T396FM internal (V.42bis)

```
Init=AT&FW2&C1&D3%C1\J0\N7\Q2\V2S7=60S0=1&W  
Speed=38400
```

Megahertz CC3144 PCMCIA card modem (V.42bis)

```
Init=AT&F&C1&D3&K3&Q5%C3\N3S7=60S38=7S46=138S48=7S95=47S0=1&W  
Speed=57600
```

Microcom AX/9624c (MNP 5)

```
Init=AT&F&C1&D3\G0\J0\N3\Q2%C1S7=60S0=1&W  
Speed=9600
```

Microcom AX/9600 Plus (MNP 5)

```
Init=AT&F&C1&D3\J0\N3\Q2S7=60S0=1&W
```

Microcom QX/V.32c (MNP 5)

```
Init=AT&F&C1&D3\J0%C3\N3\Q2S7=60S0=1&W  
Speed=38400
```

Microcom QX/4232hs (V.42bis)

```
Init=AT&F&C1&D3\J0%C3\N3\Q2-K0\V2S7=60S0=1&W  
Speed=38400
```

Microcom QX/4232bis (V.42bis)

```
Init=AT&F&C1&D3\J0%C3\N3\Q2-K0\V2W2S7=60S0=1&W  
Speed=38400
```

Microcom Deskporte 28800 (V.34)

```
Init=AT&F&c1&q1E0S0=1&W  
Speed=115200
```

Microcom MicroPorte 542 (V.42bis)

```
Init=AT&F&C1&D3&Q5S7=60S46=138S48=7S95=47S0=1&W  
Speed=9600
```

Microcom MicroPorte 1042 (V.42bis)

```
Init=AT&F&C1&D3%C3\J0-M0\N6\Q2\V2S7=60S0=1&W  
Speed=9600
```

Microcom MicroPorte 4232bis (V.42bis)

```
Init=AT&F&C1&D3%C3%G0\J0-M0\N6\Q2\V2S7=60S0=1&W  
Speed=38400
```

Microcom DeskPorte FAST

```
Init=ATX4S7=60-M1\V4\N2L1S0=1&W  
Speed=57600
```

Motorola/Codex 3220 (MNP)

```
Init=AT&F&C1&D3*DC1*FL3*MF0*SM3*XC2S7=60S0=1&W
```

Motorola/Codex 3220 Plus (V.42bis)

```
Init=AT&F&C1&D3*DC1*EC0*MF0*SM3*XC2S7=60S0=1&W
Speed=38400
```

Motorola/Codex 326X Series (V.42bis)

```
Init=AT&F&C1&D3*FL3*MF0*SM3*TT2*XC2S7=60S0=1&W
Speed=38400
```

MultiTech MultiModem V32EC (V.42bis)

```
Init=AT&FX4&C1&D3$BA0&E1&E4&E15#L0S7=60S0=1&W
Speed=38400
```

MultiTech MultiModem V32 (no MNP or V.42)

```
Init=AT&F&C1&D3S7=60S0=1&W
Speed=9600
```

MultiTech MultiModem 696E (MNP)

```
Init=AT&F&C1&D3$BA0&E1&E4&E15S7=60S0=1&W
```

MultiTech MultiModem II MT932 (V.42bis)

```
Init=AT&FX4&C1&D3$BA0&E1&E4&E15#L0S7=60S0=1&W
Speed=38400
```

MultiTech MultiModem II MT1432 (V.42bis)

```
Init=AT&FX4&C1&D3#A0$BA0&E1&E4&E15#L0S7=60S0=1&W
Speed=57600
```

NEC UltraLite 14.4 Data/Fax Modem (V.42bis)

```
Init=AT&F&C1&D3&K3&Q4\J0\N7\Q2W2%C1S7=60S0=1&W
Speed=38400
```

Practical Peripherals PC28800SA (V.42bis)

```
Init=AT&F&C1&D3&K3&Q5S7=60S36=7S46=2S48=7S95=47S0=1&W
Speed=115200
```

Practical Peripherals PM9600SA (V.42bis)

```
Init=AT&F&C1&D3&K3&Q5S46=138S48=7S7=60S0=1&W
Speed=38400
```

Practical Peripherals PM14400FX (V.42bis)

```
Init=AT&F&C1&D3&K3&Q5S7=60S36=7S46=2S48=7S95=47S0=1&W
Speed=57600
```

Practical Peripherals PM14400SA (V.42bis)

```
Init=AT&F&C1&D3&K3&Q5S7=60S36=7S46=2S48=7S95=47S0=1&W
Speed=57600
```

Prometheus ProModem 9600 Plus (V.42)

```
Init=AT&F&C1&D3*E7*F3S7=60S0=1&W
```

Prometheus ProModem Ultima (V.42bis)

```
Init=AT&F&C1&D3*E9*F3*N6*S1S7=60S0=1&W
Speed=38400
```

Racal Datacomm ALM 3223 (V.42bis)

```
Init=AT&F&C1&D3\M0\N3\P2\Q1\V1S7=60S0=1&W
Speed=38400
```

Supra FAXModem V.32bis (V.42bis)

```
Init=AT&FN1W2&C1&D1&K3&Q5\N3%C1S7=60S36=7S48=7S95=45S0=1&W
Speed=57600
```

Telebit T1600 (V.42bis)

```
Init=AT&FX2&C1&D3&R3S7=60S51=6S58=0S59=15S68=2S180=2S190=1S0=1&W
Speed=38400
```

Telebit T2500 (V.42bis)

```
Init=AT~&FX2S7=60S51=5S52=2S66=1S68=2S97=1S98=3S106=1S131=1S0=1&W
```

Telebit T3000 (V.42bis)

```
Init=AT&FX2&C1&D3S51=6S59=7S68=2S7=60S0=1&W
Speed=38400
```

Telebit QBlazer (V.42bis)

```
Init=AT&FX2&C1&D3S59=7S68=2S7=60S0=1&W
Speed=38400
```

Texas Instruments V.32bis Internal Modem

```
Init=AT&F&C1&D3%C1\J0\N7\Q2\V2S7=60S0=1&W
Speed=38400
```

Toshiba T24/DF Internal

```
Init=AT&F&C1&D3\J0\N3\Q2%C1S7=60S36=7S46=138S48=7S0=1&W
Speed=9600
```

Universal Data Systems FasTalk V.32/42b (V.42bis)

```
Init=AT&F&C1&D3\J0\M0\N7\V1\Q2%C1S7=60S0=1&W
Speed=38400
```

Universal Data Systems V.32 (no MNP or V.42)

```
Init=AT&F&C1&D2S7=60S0=1&W
Speed=9600
```

Universal Data Systems V.3224 (MNP 4)

```
Init=AT&F&C1&D2\J0\N3\Q2S7=60S0=1&W
```

Universal Data Systems V.3225 (MNP 5)

```
Init=AT&F&C1&D2\J0\N3\Q2%C1S7=60S0=1&W
```

Universal Data Systems V.3227 (V.42bis)

```
Init=AT&F&C1&D2\J0\M0\N7\Q2%C1S7=60S0=1&W
Speed=38400
```

Universal Data Systems V.3229 (V.42bis)

```
Init=AT&F&C1&D3\J0\M0\N7\Q2%C1S7=60S0=1&W
Speed=38400
```

US Robotics Sportster 9600 (V.42bis)

```
Init=AT&FX4&A3&B1&D3&H1&I0&K1&M4S7=60S0=1&W
Speed=38400
```

US Robotics Sportster 14400 (V.42bis)

```
Init=AT&FX4&A3&B1&D3&H1&I0&K1&M4S7=60S0=1&W
Speed=57600
```

US Robotics Sportster 14400 (V.42bis) x

```
Init=AT&FX4&B1&C1&D2&H1&K1&M4E0X7Q0V1S0=1&W
Speed=57600
```

US Robotics Sportster 28800 (V.34)

```
Init=AT&FS0=1&C1&D2&H1&R2&N14&B1&W
Speed=115200
```

US Robotics Courier 28800 (V.34)

```
Init=AT&FS0=1&C1&D2&H1&R2&N14&B1&W
Speed=115200
```

US Robotics Courier V.32bis (V.42bis)

```
Init=AT&FX4&A3&C1&D2&M4&H1&K1&B1S0=1&W
Speed=38400
```

US Robotics Courier HST Dual Standard (V.42bis)

```
Init=AT&FB0X4&A3&C1&D2&M4&H1&K1&B1&R2&S1S0=1&W
Speed=115200
```

US Robotics Courier HST (V.42bis)

```
Init=AT&FB0X4&A3&C1&D2&M1&H1&K1&B1S0=1&W
Speed=115200
```

US Robotics WorldPort 2496 FAX/Data (V.42bis)

```
Init=AT&FX4&C1&D3%C1"H3\J0-J1\N3\Q2\V2S7=60S0=1&W
Speed=57600
```

US Robotics WorldPort 9696 FAX/Data (MNP 5)

```
Init=AT&FX4&C1&D3%C1\J0\N3\Q2\V2S7=60S0=1&W
```

US Robotics WorldPort 9600 (MNP 5)

```
Init=AT&FX4&C1&D3%C1\J0\N3\Q2\V2S7=60S0=1&W
```

US Robotics WorldPort 14400 (V.42bis)

```
Init=AT&FX4&A3&B1&C1&D3&H1&K1&M4S7=60S0=1&W
Speed=57600
```

Ven-Tel PCM 9600 Plus (MNP)

```
Init=AT&FB0&C1&D3\N3\Q3%B0%C1%F1S7=60S0=1&W
```

ViVa 9642e (V.42bis)

```
Init=AT&F&C1&D3&K3&Q5\N3%C3S7=60S36=7S46=138S48=7S95=47S0=1&W
Speed=38400
```

ViVa 14.4/FAX (V.42bis)

```
Init=AT&F&C1&D3&K3&Q5\N3%C3S7=60S36=7S46=138S48=7S95=47S0=1&W  
Speed=38400
```

ZOOM V.32 turbo (V.42bis)

```
Init=AT&FW1&C1&D3&K3&Q5%C1\N3S7=60S36=7S46=138S48=7S95=47S0=1&W  
Speed=38400
```

ZOOM V.32bis (V.42bis)

```
Init=AT&FW1&C1&D3&K3&Q9%C1\N3S7=60S36=7S95=47S0=1&W  
Speed=38400
```

Zyxel U-1496 (V.42bis)

```
Init=AT&FX6&B1&C1&D2&N0&K4&H3S7=60S0=1&W  
Speed=57600
```

Cisco and the Cisco Logo are trademarks of Cisco Systems, Inc. and/or its affiliates in the U.S. and other countries. A listing of Cisco's trademarks can be found at www.cisco.com/go/trademarks. Third party trademarks mentioned are the property of their respective owners. The use of the word partner does not imply a partnership relationship between Cisco and any other company. (1005R)

Any Internet Protocol (IP) addresses and phone numbers used in this document are not intended to be actual addresses and phone numbers. Any examples, command display output, network topology diagrams, and other figures included in the document are shown for illustrative purposes only. Any use of actual IP addresses or phone numbers in illustrative content is unintentional and coincidental.

© 2001–2009 Cisco Systems, Inc. All rights reserved.