

Configurar EVPN de camada 3 sobre SR MPLS [eBGP] no Nexus 9300

Contents

[Introduction](#)

[Prerequisites](#)

[Requirements](#)

[Componentes Utilizados](#)

[Informações de Apoio](#)

[Recapitulação MPLS L3VPN](#)

[Visão geral do EVPN com L3VPN \(MPLS SR\)](#)

[Diagrama de Rede](#)

[Configuração de alto nível](#)

[Verificar](#)

[Troubleshoot](#)

Introduction

Este documento descreve como implantar a Ethernet VPN (EVPN) em Multiprotocol Label Switching de Roteamento de Segmento (SR) no Nexus 9300 com BGP externo.

Prerequisites

Requirements

A Cisco recomenda que você tenha conhecimento destes tópicos:

- Protocolo BGP
- L3VPN
- EVPN
- SR

Componentes Utilizados

As informações neste documento são baseadas nestas versões de software e hardware:

- Hardware SPINE - 9336C-FX que executa a versão 10.2(2)
- Hardware LEAF - 93240YC-FX2 que executa a versão 10.2(2)
- CLIENTE - 92160YC-X (Host-1), Catalyst-3850 (Host-2)

The information in this document was created from the devices in a specific lab environment. All of the devices used in this document started with a cleared (default) configuration. Se a rede estiver ativa, certifique-se de que você entenda o impacto potencial de qualquer comando.

Informações de Apoio

Recapitulação MPLS L3VPN

Uma VPN é:

- Uma rede baseada em IP que fornece serviços de rede privada em uma infraestrutura pública.
- Um conjunto de sites que têm permissão para se comunicar de forma privada pela Internet ou por outras redes públicas ou privadas.

As VPNs convencionais são criadas pela configuração de uma malha completa de túneis ou circuitos virtuais permanentes (PVCs) para todos os locais em uma VPN. Esse tipo de VPN não é fácil de manter ou expandir, pois a adição de um novo local exige uma alteração em cada dispositivo de borda na VPN.

As VPNs baseadas em MPLS são criadas na camada 3 e são baseadas no modelo de peer. O modelo de peer permite que o provedor de serviços e o CE troquem informações de roteamento de Camada 3. O provedor de serviços retransmite os dados entre os sites CE sem o envolvimento do CE.

As VPNs MPLS são mais fáceis de gerenciar e expandir do que as VPNs convencionais. Quando um novo local é adicionado a uma VPN MPLS, somente o roteador de borda do provedor de serviços que fornece serviços ao local do cliente precisa ser atualizado.

Estes são os componentes da VPN MPLS:

- Roteador do provedor (P) - Roteador no núcleo da rede do provedor. Os roteadores PE executam switching MPLS e não anexam rótulos de VPN aos pacotes roteados. Os rótulos de VPN são usados para direcionar pacotes de dados para a rede privada ou o roteador de borda CE correto.
- Roteador PE (Provider Edge) - Roteador que conecta o rótulo VPN aos pacotes de entrada com base na interface ou subinterface na qual eles são recebidos e também conecta os rótulos do núcleo MPLS. Um roteador PE se conecta diretamente a um roteador.
- Roteador do cliente (C) - Roteador no provedor de serviços de Internet (ISP) ou na rede corporativa.
- Roteador Customer Edge (CE) - Roteador de borda na rede do ISP que se conecta ao roteador PE na rede. Um roteador CE deve fazer interface com um roteador PE.

Visão geral do EVPN com L3VPN (MPLS SR)

As implantações de data center (DC) adotaram EVPN de LAN extensível virtual (VXLAN) ou EVPN MPLS para seus benefícios, como aprendizagem de plano de controle de EVPN, multilocação, mobilidade contínua, redundância e adições de POD mais fáceis. Da mesma forma, o CORE é uma rede MPLS L3VPN baseada no Label Distribution Protocol (LDP) ou uma transição da base tradicional MPLS L3VPN LDP para uma solução mais sofisticada como SR.

A RE é adotada por seus benefícios, como:

- Unified Interior Gateway Protocol (IGP) e planos de controle MPLS
- Métodos de engenharia de tráfego mais simples
- Configuração mais fácil
- Adoção de redes definidas por software (SDN)

EVPN (RFC 7432) é uma solução baseada em BGP MPLS que foi usada para serviços Ethernet de próxima geração em uma rede de data center virtualizada. Ela usa vários blocos, como Rota.

Distinguisher (RD), Route Target (RT) e Virtual Routing and Forwarding (VRF) das tecnologias MPLS existentes.

EVPN L3 sobre SR que foi introduzido na versão NXOS 7.0(3)I6(1) usa a rota EVPN Tipo 5 com encapsulamento MPLS. Ele oferece vários usuários, escalabilidade e alto desempenho para serviços de data center evoluídos.

Note: No DC, o plano de dados pode ser VXLAN ou MPLS.

VPN MPLS L3 tradicional

Blocos de construção principais: RD, RT e VRF

Camada subjacente para transporte: IGP, LDP e RSVP-TE

Camada de sobreposição para serviço: VPNv4 e VPNv6

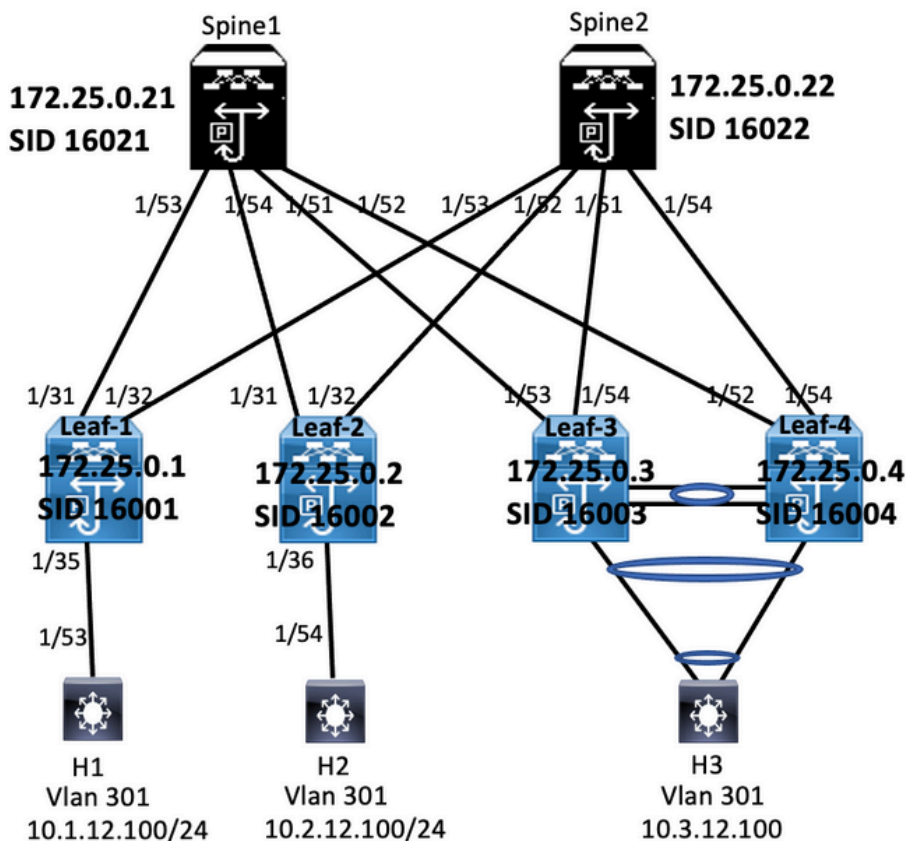
VPN MPLS L3 sobre SR

Blocos de construção principais: RD, RT e VRF

Camada subjacente para transporte: IGP/BGP

Camada de sobreposição para serviço: EVPN

Diagrama de Rede



Configuração de alto nível

1. Instalar recursos
2. Configurar o endereço IP - Subjacente
3. Configurar IGP/MP - BGP
4. Configurar a sobreposição de VLAN e EVPN
5. Configurar o e-BGP entre hosts e LEAFs

Leaf-1		
Enabling Features	Interface Configuration	BGP/EVPN Configuration
<pre>install feature-set mpls feature-set mpls feature bgp feature mpls segment-routing feature mpls evpn feature interface-vlan feature lisp feature mpls oam feature mpls segment-routing traffic-engineering vlan 1,301-310 segment-routing mpls global-block 16000 24000 connected-prefix-sid-map address-family ipv4 172.25.0.1/32 absolute 16001 ip prefix-list node-sid-loopback seq 10 permit 172.25.0.1/32 ip as-path access-list LOCALLY-ORIGINATE seq 1 permit "65534" ip as-path access-list LOCALLY-ORIGINATE seq 2 permit "65" route-map NODE-SID-MED permit 10 match ip address prefix-list node-sid-loopback set metric 100 route-map NODE-SID-MED permit 20 route-map SET_NH permit 5 match community MATCH-65534:65534. set ip next-hop unchanged route-map SET_NH permit 10 match as-path LOCALLY-ORIGINATE set ip next-hop 172.25.0.1 vrf context VPN-A rd auto address-family ipv4 unicast route-target import 301:301 route-target import 301:301 evpn route-target export 301:301 route-target export 301:301 evpn vrf context VPN-B rd auto address-family ipv4 unicast route-target import 302:302 route-target import 302:302 evpn route-target export 302:302 route-target export 302:302 evpn</pre>	<pre>interface Vlan301 ip access-group deny-to-core_ra in vrf member VPN-A no ip redirects ip address 10.1.12.1/24 ip directed-broadcast ip-dir-bcast ip arp timeout 720 interface Vlan302 ip access-group deny-to-core_ra in vrf member VPN-B no ip redirects ip address 10.1.13.1/24 ip directed-broadcast ip-dir-bcast ip arp timeout 720 interface Ethernet1/31 description connected to spine1 - 1/53 - 192.168.1.10 mtu 9216 logging event port link-status no ip redirects ip address 192.168.1.9/30 ip arp timeout 14400 mpls ip forwarding interface Ethernet1/32 description connected to spine2 - 1/53 - 192.168.1.14 mtu 9216 logging event port link-status no ip redirects ip address 192.168.1.13/30 ip arp timeout 14400 mpls ip forwarding interface Ethernet1/35 switchport switchport mode trunk switchport trunk allowed vlan 301-310 no shutdown interface loopback0 ip address 172.25.0.1/32 no shut</pre>	<pre>router bgp 65534 router-id 172.25.0.1 disable-policy-batching bestpath as-path multipath-relax bestpath med missing-as-worst log-neighbor-changes event-history detail size large nexthop suppress-default-resolution address-family ipv4 unicast network 172.25.0.1/32 maximum-paths 4 maximum-paths ibgp 4 allocate-label route-map node-sid-label address-family ipv4 labeled-unicast prefix-priority high address-family I2vpn evpn template peer EBGP-SPINE remote-as 64087 description EBGP-PEERING-to-AGG address-family ipv4 unicast allows-in 1 send-community send-community extended route-map NODE-SID-MED out no advertise local-labeled-route soft-reconfiguration inbound address-family ipv4 labeled-unicast allows-in 1 send-community send-community extended route-map NODE-SID-MED out soft-reconfiguration inbound always address-family I2vpn evpn allows-in 1 send-community send-community extended filter-list LOCALLY-ORIGINATE out route-map SET_NH out encapsulation mpls neighbor 192.168.1.10 inherit peer EBGP-SPINE neighbor 192.168.1.14 inherit peer EBGP-SPINE</pre>
<pre>match community MATCH-65534:65534 set ip next-hop unchanged route-map SET_NH permit 10 match as-path LOCALLY-ORIGINATE set ip next-hop 172.25.0.1 vrf context VPN-A rd auto address-family ipv4 unicast route-target import 301:301 route-target import 301:301 evpn route-target export 301:301 route-target export 301:301 evpn vrf context VPN-B rd auto address-family ipv4 unicast route-target import 302:302 route-target import 302:302 evpn route-target export 302:302 route-target export 302:302 evpn</pre>	<pre>interface Vlan301 no shutdown ip access-group deny-to-core_ra in vrf member VPN-A no ip redirects ip address 10.2.12.1/24 ip directed-broadcast ip-dir-bcast ip arp timeout 720 interface Vlan302 no shutdown ip access-group deny-to-core_ra in vrf member VPN-B no ip redirects ip address 10.2.13.1/24 ip directed-broadcast ip-dir-bcast ip arp timeout 720 interface Ethernet1/3 switchport switchport mode trunk switchport trunk allowed vlan 301-310 no shutdown interface Ethernet1/31 description connected to spine1 - 1/54 - 192.168.2.10 mtu 9216 logging event port link-status no ip redirects ip address 192.168.2.9/30 ip arp timeout 14400 mpls ip forwarding interface Ethernet1/32 description connected to spine2 - 1/52 - 192.168.2.14 mtu 9216 logging event port link-status no ip redirects ip address 192.168.2.13/30 ip arp timeout 14400 mpls ip forwarding interface Ethernet1/36 switchport mode trunk switchport trunk allowed vlan 301-310 interface loopback0 ip address 172.25.0.2/32</pre>	<pre>router bgp 65534 router-id 172.25.0.2 disable-policy-batching bestpath as-path multipath-relax bestpath med missing-as-worst log-neighbor-changes event-history detail size large nexthop suppress-default-resolution address-family ipv4 unicast network 172.25.0.2/32 maximum-paths 4 maximum-paths ibgp 4 allocate-label route-map node-sid-label address-family ipv4 labeled-unicast prefix-priority high address-family I2vpn evpn template peer EBGP-SPINE remote-as 64087 description EBGP-PEERING-to-AGG address-family ipv4 unicast allows-in 1 send-community send-community extended route-map NODE-SID-MED out no advertise local-labeled-route soft-reconfiguration inbound address-family ipv4 labeled-unicast allows-in 1 send-community send-community extended route-map NODE-SID-MED out soft-reconfiguration inbound always address-family I2vpn evpn allows-in 1 send-community send-community extended filter-list LOCALLY-ORIGINATE out route-map SET_NH out encapsulation mpls neighbor 192.168.2.10 inherit peer EBGP-SPINE neighbor 192.168.2.14 inherit peer EBGP-SPINE</pre>

Spine-1		
Enabling Features	Interface Configuration	BGP/EVPN Configuration
<pre>install feature-set mpls feature-set mpls feature bgp feature mpls segment-routing feature mpls evpn feature interface-vlan feature lisp feature mpls oam feature mpls segment-routing traffic-engineering vlan 1 segment-routing mpls global-block 16000 24000 connected-prefix-sid-map address-family ipv4 172.25.0.21/32 absolute 16021 ip prefix-list NH-RESTRICT seq 5 permit 0.0.0.0/0 ip prefix-list node-sid-loopback seq 5 permit 172.25.0.21/32 route-map NH-RESTRICT deny 10 match ip address prefix-list NH-RESTRICT route-map NH-RESTRICT permit 20 route-map NH_UNCHG permit 10 set ip next-hop unchanged</pre>	<pre>interface Ethernet1/53 description connected to Leaf1 - 1/31 - 192.168.1.9 mtu 9216 logging event port link-status no ip redirects ip address 192.168.1.10/30 ip arp timeout 14400 mpls ip forwarding no shutdown interface Ethernet1/54 description connected to Leaf2- 1/31 - 192.168.2.9 mtu 9216 logging event port link-status no ip redirects ip address 192.168.2.10/30 ip arp timeout 14400 mpls ip forwarding no shutdown interface loopback0 ip address 172.25.0.21/32 no shutdown</pre>	<pre>router bgp 64087 router-id 172.25.0.21 bestpath as-path multipath-relax bestpath med missing-as-worst log-neighbor-changes nexthop suppress-default-resolution address-family ipv4 unicast network 172.25.0.21/32 maximum-paths 4 nexthop route-map NH-RESTRICT allocate-label route-map node-sid-label address-family ipv4 labeled-unicast prefix-priority high address-family l2vpn evpn retain route-target all template peer EBG-ACCESS remote-as 65534 description EBG-PEERING-to-ACCESS address-family ipv4 unicast disable-peer-as-check send-community send-community extended default-originate no advertise local-labeled-route soft-reconfiguration inbound address-family ipv4 labeled-unicast disable-peer-as-check send-community send-community extended soft-reconfiguration inbound address-family l2vpn evpn disable-peer-as-check send-community send-community extended route-map NH_UNCHG out encapsulation mpls neighbor 192.168.1.9 inherit peer EBG-ACCESS neighbor 192.168.2.9 inherit peer EBG-ACCESS</pre>

Spine-2		
Enabling Feature	Interface Configuration	BGP/EVPN Configuration
<pre>install feature-set mpls feature-set mpls feature bgp feature mpls segment-routing feature mpls evpn feature interface-vlan feature lisp feature mpls oam feature mpls segment-routing traffic-engineering vlan 1 segment-routing mpls global-block 16000 24000 connected-prefix-sid-map address-family ipv4 172.25.0.22/32 absolute 16021 ip prefix-list NH-RESTRICT seq 5 permit 0.0.0.0/0 ip prefix-list node-sid-loopback seq 5 permit 172.25.0.22/32 route-map NH-RESTRICT deny 10 match ip address prefix-list NH-RESTRICT route-map NH-RESTRICT permit 20 route-map NH_UNCHG permit 10 set ip next-hop unchanged</pre>	<pre>interface Ethernet1/52 description connected to Leaf2 - 1/31 - 192.168.2.13 mtu 9216 logging event port link-status no ip redirects ip address 192.168.2.14/30 ip arp timeout 14400 mpls ip forwarding no shutdown interface Ethernet1/53 description connected to Leaf2- 1/32 - 192.168.1.13 mtu 9216 logging event port link-status no ip redirects ip address 192.168.1.14/30 ip arp timeout 14400 mpls ip forwarding no shutdown interface loopback0 ip address 172.25.0.22/32 no shut</pre>	<pre>router bgp 64087 router-id 172.25.0.22 bestpath as-path multipath-relax bestpath med missing-as-worst log-neighbor-changes nexthop suppress-default-resolution address-family ipv4 unicast network 172.25.0.22/32 maximum-paths 4 nexthop route-map NH-RESTRICT allocate-label route-map node-sid-label address-family ipv4 labeled-unicast prefix-priority high address-family l2vpn evpn retain route-target all template peer EBG-ACCESS remote-as 65534 description EBG-PEERING-to-ACCESS address-family ipv4 unicast disable-peer-as-check send-community send-community extended default-originate no advertise local-labeled-route soft-reconfiguration inbound address-family ipv4 labeled-unicast disable-peer-as-check send-community send-community extended soft-reconfiguration inbound address-family l2vpn evpn disable-peer-as-check send-community send-community extended route-map NH_UNCHG out encapsulation mpls neighbor 192.168.1.13 inherit peer EBG-ACCESS neighbor 192.168.2.13 inherit peer EBG-ACCESS</pre>

Host-1 Configuration

```
install feature-set mpls
feature mpls
interface Ethernet1/53
switchport
switchport mode trunk
switchport trunk allowed vlan 301-310
no shut

interface vlan 301
no shutdown
no ip redirects
ip address 10.1.12.100/24
ip directed-broadcast ip-dir-bcast
ip arp timeout 720
```

Host-2 Configuration

```
install feature-set mpls
feature mpls
interface Ethernet1/54
switchport
switchport mode trunk
switchport trunk allowed vlan 301-310
no shut

interface vlan 301
no shutdown
no ip redirects
ip address 10.2.12.100/24
ip directed-broadcast ip-dir-bcast
ip arp timeout 720
```

Verificar

Use esta seção para confirmar se a sua configuração funciona corretamente.

```
H1(config)# show ip int brief
```

```
IP Interface Status for VRF "default"(1)
Interface      IP Address  Interface Status
Vlan301        10.1.12.100 protocol-up/link-up/admin-up
```

```
H1(config)# ping 10.2.12.100
PING 10.2.12.100 (10.2.12.100): 56 data bytes
64 bytes from 10.2.12.100: icmp_seq=0 ttl=251 time=0.994 ms
64 bytes from 10.2.12.100: icmp_seq=1 ttl=251 time=0.586 ms
64 bytes from 10.2.12.100: icmp_seq=2 ttl=251 time=0.677 ms
64 bytes from 10.2.12.100: icmp_seq=3 ttl=251 time=0.615 ms
64 bytes from 10.2.12.100: icmp_seq=4 ttl=251 time=0.597 ms
```

```
--- 10.2.12.100 ping statistics ---
5 packets transmitted, 5 packets received, 0.00% packet loss
round-trip min/avg/max = 0.586/0.693/0.994 ms
```

```
H2(config)# show ip int brief
```

```
IP Interface Status for VRF "default"(1)
Interface      IP Address  Interface Status
Vlan301        10.2.12.100 protocol-up/link-up/admin-up
```

```
H2(config)# ping 10.1.12.100
PING 10.1.12.100 (10.1.12.100): 56 data bytes
64 bytes from 10.1.12.100: icmp_seq=0 ttl=251 time=1.043 ms
64 bytes from 10.1.12.100: icmp_seq=1 ttl=251 time=1.933 ms
64 bytes from 10.1.12.100: icmp_seq=2 ttl=251 time=0.865 ms
64 bytes from 10.1.12.100: icmp_seq=3 ttl=251 time=0.668 ms
64 bytes from 10.1.12.100: icmp_seq=4 ttl=251 time=0.713 ms
```

```
--- 10.1.12.100 ping statistics ---
5 packets transmitted, 5 packets received, 0.00% packet loss
round-trip min/avg/max = 0.668/1.044/1.933 ms
```

Troubleshoot

Esta seção fornece informações que podem ser usadas para o troubleshooting da sua configuração.

```
spine1(config-router-af)# show mpls switching
```

Legend:
(P)=Protected, (F)=FRR active, (*)=more labels in stack.

```
IPV4:
In-Label  Out-Label  FEC name      Out-Interface  Next-Hop
VRF default
16001    Pop Label  172.25.0.1/32  Eth1/53        10.1.1.9
16002    Pop Label  172.25.0.2/32  Eth1/54        10.2.1.9
```

```
In-Label  VRF
492287    default
```

```
Block  Label-Range
1      16000 - 24000
```

```
spine1(config-router-af)# show bgp l2vpn evpn
BGP routing table information for VRF default, address family L2VPN EVPN
BGP table version is 17, Local Router ID is 172.25.0.21
```

Network	Next Hop	Metric	LocPrf	Weight	Path
Route Distinguisher: 172.25.0.1:3					
*>e[5]:[0]:[0]:[24]:[12.1.12.0]/224	172.25.0.1	4294967295		0	65534 i
Route Distinguisher: 172.25.0.1:4					
*>e[5]:[0]:[0]:[24]:[12.1.13.0]/224	172.25.0.1	4294967295		0	65534 i
Route Distinguisher: 172.25.0.2:3					
*>e[5]:[0]:[0]:[24]:[10.2.12.0]/224	172.25.0.2	4294967295		0	65534 i
Route Distinguisher: 172.25.0.2:4					
*>e[5]:[0]:[0]:[24]:[10.2.13.0]/224	172.25.0.2	4294967295		0	65534 i

```

ping 10.1.12.200
PING 10.1.12.200 [10.1.12.200]: 56 data bytes
64 bytes from 10.1.12.200: icmp_seq=0 ttl=254 time=1.14 ms
64 bytes from 10.1.12.200: icmp_seq=1 ttl=254 time=0.687 ms
64 bytes from 10.1.12.200: icmp_seq=2 ttl=254 time=0.658 ms
64 bytes from 10.1.12.200: icmp_seq=3 ttl=254 time=0.636 ms
64 bytes from 10.1.12.200: icmp_seq=4 ttl=254 time=0.699 ms
--- 10.1.12.200 ping statistics ---
5 packets transmitted, 5 packets received, 0.00% packet loss
round-trip min/avg/max = 0.636/0.763/1.14 ms

H1# show ip int br
IP Interface Status for VRF "default"[1]
Interface IP Address Interface Status
Vlan301 10.1.12.100 protocol-up/link-up/admin-up

H1# show mac address-table
Legend:
* - primary entry, G - Gateway MAC, (R) - Routed MAC, O - Overlay MAC
age - seconds since last seen, -- primary entry using vPC Peer-Link,
(T) - True, (F) - False, C - ControlPlane MAC, -- vsan
VLAN MAC Address Type age Secure NTFY Ports
-----
* 301 0000.0000.1111 dynamic O F F Po30
* 301 00ea.bd27.86ef dynamic O F F Po30
G - 00ea.bd27.8285 static - F F sup-eth1(R)
G 301 00ea.bd27.6285 static - F F sup-eth1(R)

```

```

H2# show ip interface brief
Interface IP Address Interface Status
Vlan301 10.1.12.200 protocol-up/link-up/admin-up
H2# ping 10.1.12.100
PING 10.1.12.100 [10.1.12.100]: 56 data bytes
64 bytes from 10.1.12.100: icmp_seq=0 ttl=254 time=1.211 ms
64 bytes from 10.1.12.100: icmp_seq=1 ttl=254 time=0.694 ms
64 bytes from 10.1.12.100: icmp_seq=2 ttl=254 time=0.673 ms
64 bytes from 10.1.12.100: icmp_seq=3 ttl=254 time=0.624 ms
--- 10.1.12.100 ping statistics ---
5 packets transmitted, 5 packets received, 0.00% packet loss
round-trip min/avg/max = 0.624/0.776/1.211 ms
H2# show int vlan 301
Vlan301 is up, line protocol is up, autostate enabled
Hardware is EtherSVL, address is 00ea.bd27.86ef
H2# show mac address-table
Legend:
* - primary entry, G - Gateway MAC, (R) - Routed MAC, O - Overlay MAC
age - seconds since last seen, -- primary entry using vPC Peer-Link,
VLAN MAC Address Type age Secure NTFY Ports
-----
* 301 0000.0000.1111 dynamic O F F Eth1/33
* 301 00ea.bd27.6285 dynamic O F F Eth1/33
G - 00ea.bd27.86ef static - F F sup-eth1(R)
G 301 00ea.bd27.86ef static - F F sup-eth1(R)

```

```

spine1# show bgp l2vpn evpn
BGP routing table information for VRF default, address family L2VPN EVPN
BGP table version is 188, Local Router ID is 172.25.0.21
Status: s-suppressed, x-deleted, S-stale, d-dampened, h-history, *-valid, >-best
Path type: i-internal, e-external, c-confed, l-local, a-aggregate, r-redist, I-
rejected
Origin codes: I - IGP, e - EGP, ? - incomplete, | - multipath, & - backup, 2 - Network
Next Hop Metric LocPrf Weight Path
Route Distinguisher: 172.25.0.15
*>e[5] [0] [0] [24] [10.1.12.0]/24 0 65534 i
Route Distinguisher: 172.25.0.137164
*>e[2] [0] [0] [48] [00ea.bd27.6285] [0] [0.0.0.0]/216 0 65534 i
172.25.0.15 4294967295 0 65534 i
*>e[2] [0] [0] [48] [00ea.bd27.6285] [32] [10.1.12.100]/272 0 65534 i
172.25.0.15 4294967295 0 65534 i
*>e[3] [0] [132] [172.25.0.15]/88 0 65534 i
172.25.0.15 4294967295 0 65534 i
Route Distinguisher: 172.25.0.237164
*>e[2] [0] [0] [48] [00ea.bd27.6285] [0] [0.0.0.0]/216 0 65534 i
172.25.0.15 4294967295 0 65534 i
*>e[2] [0] [0] [48] [00ea.bd27.6285] [32] [10.1.12.100]/272 0 65534 i
172.25.0.15 4294967295 0 65534 i
*>e[3] [0] [132] [172.25.0.15]/88 0 65534 i
172.25.0.15 4294967295 0 65534 i
Route Distinguisher: 172.25.0.337164
*>e[2] [0] [0] [48] [00ea.bd27.86ef] [0] [0.0.0.0]/216 0 65534 i
172.25.0.3 4294967295 0 65534 i
*>e[2] [0] [0] [48] [00ea.bd27.86ef] [32] [10.1.12.200]/272 0 65534 i
172.25.0.3 4294967295 0 65534 i
*>e[3] [0] [132] [172.25.0.3]/88 0 65534 i
172.25.0.3 4294967295 0 65534 i

```

```

BGP routing table information for VRF default, address family L2VPN
EVPN
BGP table version is 188, Local Router ID is 172.25.0.22
Status: s-suppressed, x-deleted, S-stale, d-dampened, h-history, *-valid,
>-best
Path type: i-internal, e-external, c-confed, l-local, a-aggregate, r-redist, I-
rejected
Origin codes: I - IGP, e - EGP, ? - incomplete, | - multipath, & - backup, 2 -
b
Network Next Hop Metric LocPrf Weight Path
Route Distinguisher: 172.25.0.15
*>e[5] [0] [0] [24] [10.1.12.0]/24 0 65534 i
172.25.0.15 4294967295 0 65534 i
Route Distinguisher: 172.25.0.137164
*>e[2] [0] [0] [48] [00ea.bd27.6285] [0] [0.0.0.0]/216 0 65534 i
172.25.0.15 4294967295 0 65534 i
*>e[2] [0] [0] [48] [00ea.bd27.6285] [32] [10.1.12.100]/272 0 65534 i
172.25.0.15 4294967295 0 65534 i
*>e[3] [0] [132] [172.25.0.15]/88 0 65534 i
172.25.0.15 4294967295 0 65534 i
Route Distinguisher: 172.25.0.237164
*>e[2] [0] [0] [48] [00ea.bd27.6285] [0] [0.0.0.0]/216 0 65534 i
172.25.0.15 4294967295 0 65534 i
*>e[2] [0] [0] [48] [00ea.bd27.6285] [32] [10.1.12.100]/272 0 65534 i
172.25.0.3 4294967295 0 65534 i
*>e[3] [0] [132] [172.25.0.3]/88 0 65534 i
172.25.0.3 4294967295 0 65534 i
spine2# show ip int br
IP Interface Status for VRF "default"[1]
Interface IP Address Interface Status
Lo0 172.25.0.22 protocol-up/link-up/admin-up
Eth1/47 192.168.1.14 protocol-up/link-up/admin-up
Eth1/48 192.168.2.14 protocol-up/link-up/admin-up
Eth1/53 192.168.3.14 protocol-up/link-up/admin-up
spine2#

```

Sobre esta tradução

A Cisco traduziu este documento com a ajuda de tecnologias de tradução automática e humana para oferecer conteúdo de suporte aos seus usuários no seu próprio idioma, independentemente da localização.

Observe que mesmo a melhor tradução automática não será tão precisa quanto as realizadas por um tradutor profissional.

A Cisco Systems, Inc. não se responsabiliza pela precisão destas traduções e recomenda que o documento original em inglês ([link fornecido](#)) seja sempre consultado.