



## **IP Application Services Configuration Guide, Cisco IOS XE Everest 16.6**

### **Americas Headquarters**

Cisco Systems, Inc.  
170 West Tasman Drive  
San Jose, CA 95134-1706  
USA  
<http://www.cisco.com>  
Tel: 408 526-4000  
800 553-NETS (6387)  
Fax: 408 527-0883

THE SPECIFICATIONS AND INFORMATION REGARDING THE PRODUCTS IN THIS MANUAL ARE SUBJECT TO CHANGE WITHOUT NOTICE. ALL STATEMENTS, INFORMATION, AND RECOMMENDATIONS IN THIS MANUAL ARE BELIEVED TO BE ACCURATE BUT ARE PRESENTED WITHOUT WARRANTY OF ANY KIND, EXPRESS OR IMPLIED. USERS MUST TAKE FULL RESPONSIBILITY FOR THEIR APPLICATION OF ANY PRODUCTS.

THE SOFTWARE LICENSE AND LIMITED WARRANTY FOR THE ACCOMPANYING PRODUCT ARE SET FORTH IN THE INFORMATION PACKET THAT SHIPPED WITH THE PRODUCT AND ARE INCORPORATED HEREIN BY THIS REFERENCE. IF YOU ARE UNABLE TO LOCATE THE SOFTWARE LICENSE OR LIMITED WARRANTY, CONTACT YOUR CISCO REPRESENTATIVE FOR A COPY.

The Cisco implementation of TCP header compression is an adaptation of a program developed by the University of California, Berkeley (UCB) as part of UCB's public domain version of the UNIX operating system. All rights reserved. Copyright © 1981, Regents of the University of California.

NOTWITHSTANDING ANY OTHER WARRANTY HEREIN, ALL DOCUMENT FILES AND SOFTWARE OF THESE SUPPLIERS ARE PROVIDED "AS IS" WITH ALL FAULTS. CISCO AND THE ABOVE-NAMED SUPPLIERS DISCLAIM ALL WARRANTIES, EXPRESSED OR IMPLIED, INCLUDING, WITHOUT LIMITATION, THOSE OF MERCHANTABILITY, FITNESS FOR A PARTICULAR PURPOSE AND NON-INFRINGEMENT OR ARISING FROM A COURSE OF DEALING, USAGE, OR TRADE PRACTICE.

IN NO EVENT SHALL CISCO OR ITS SUPPLIERS BE LIABLE FOR ANY INDIRECT, SPECIAL, CONSEQUENTIAL, OR INCIDENTAL DAMAGES, INCLUDING, WITHOUT LIMITATION, LOST PROFITS OR LOSS OR DAMAGE TO DATA ARISING OUT OF THE USE OR INABILITY TO USE THIS MANUAL, EVEN IF CISCO OR ITS SUPPLIERS HAVE BEEN ADVISED OF THE POSSIBILITY OF SUCH DAMAGES.

Any Internet Protocol (IP) addresses and phone numbers used in this document are not intended to be actual addresses and phone numbers. Any examples, command display output, network topology diagrams, and other figures included in the document are shown for illustrative purposes only. Any use of actual IP addresses or phone numbers in illustrative content is unintentional and coincidental.

All printed copies and duplicate soft copies of this document are considered uncontrolled. See the current online version for the latest version.

Cisco has more than 200 offices worldwide. Addresses and phone numbers are listed on the Cisco website at [www.cisco.com/go/offices](http://www.cisco.com/go/offices).

Cisco and the Cisco logo are trademarks or registered trademarks of Cisco and/or its affiliates in the U.S. and other countries. To view a list of Cisco trademarks, go to this URL: [www.cisco.com go trademarks](http://www.cisco.com/go/trademarks). Third-party trademarks mentioned are the property of their respective owners. The use of the word partner does not imply a partnership relationship between Cisco and any other company. (1721R)

© 2019 Cisco Systems, Inc. All rights reserved.



## CONTENTS

---

### CHAPTER 1

#### Read Me First 1

---

### CHAPTER 2

#### Configuring Enhanced Object Tracking 3

- Finding Feature Information 3
- Restrictions for Enhanced Object Tracking 4
- Information About Enhanced Object Tracking 4
  - Feature Design of Enhanced Object Tracking 4
  - Interface State Tracking 4
  - Scaled Route Metrics 5
  - IP SLA Operation Tracking 6
  - Enhanced Object Tracking and Embedded Event Manager 6
  - Benefits of Enhanced Object Tracking 7
- How to Configure Enhanced Object Tracking 7
  - Tracking the Line-Protocol State of an Interface 7
  - Tracking the IP-Routing State of an Interface 9
  - Tracking IP-Route Reachability 10
  - Tracking the Threshold of IP-Route Metrics 12
  - Tracking the State of an IP SLAs Operation 14
  - Tracking the Reachability of an IP SLAs IP Host 15
  - Configuring a Tracked List and Boolean Expression 17
  - Configuring a Tracked List and Threshold Weight 18
  - Configuring a Tracked List and Threshold Percentage 19
  - Configuring Track List Defaults 21
  - Configuring Tracking for Mobile IP Applications 22
- Configuration Examples for Enhanced Object Tracking 23
  - Example: Interface Line Protocol 23

Example: Interface IP Routing	24
Example: IP-Route Reachability	25
Example: IP-Route Threshold Metric	25
Example: IP SLAs IP Host Tracking	26
Example: Boolean Expression for a Tracked List	27
Example: Threshold Weight for a Tracked List	27
Example: Threshold Percentage for a Tracked List	28
Additional References	28
Feature Information for Enhanced Object Tracking	29
Glossary	31

**CHAPTER 3****Configuring IP Services 33**

Finding Feature Information	33
Information About IP Services	33
IP Source Routing	33
ICMP Overview	34
ICMP Unreachable Error Messages	34
ICMP Mask Reply Messages	35
ICMP Redirect Messages	35
Denial of Service Attack	35
Path MTU Discovery	36
Show and Clear Commands for IOS Sockets	37
How to Configure IP Services	38
Protecting Your Network from DOS Attacks	38
Configuring ICMP Unreachable Rate Limiting User Feedback	39
Setting the MTU Packet Size	41
Configuring IP Accounting With NetFlow	42
Configuration Examples for IP Services	46
Example: Protecting Your Network from DOS Attacks	46
Example: Configuring ICMP Unreachable Destination Counters	47
Example: Setting the MTU Packet Size	47
Example: Configuring IP Accounting with NetFlow	47
Verifying IP Accounting with NetFlow	48
Additional References For IP Services	49

Feature Information for IP Services 50

---

**CHAPTER 4**

**Object Tracking: IPv6 Route Tracking 51**

Finding Feature Information 51

Restrictions for Object Tracking: IPv6 Route Tracking 51

Information About Object Tracking: IPv6 Route Tracking 52

Enhanced Object Tracking and IPv6 Route Tracking 52

How to Configure Object Tracking: IPv6 Route Tracking 52

Tracking the IPv6-Routing State of an Interface 52

Tracking the Threshold of IPv6-Route Metrics 53

Tracking IPv6-Route Reachability 55

Configuration Examples for Object Tracking: IPv6 Route Tracking 56

Example: Tracking the IPv6-Routing State of an Interface 56

Example: Tracking the Threshold of IPv6-Route Metrics 57

Example: Tracking IPv6-Route Reachability 57

Additional References for Object Tracking: IPv6 Route Tracking 57

Feature Information for Object Tracking: IPv6 Route Tracking 58

---

**CHAPTER 5**

**IPv6 Static Route Support for Object Tracking 59**

Finding Feature Information 59

Information About IPv6 Static Route Support for Object Tracking 59

IPv6 Static Route Support for Object Tracking Overview 59

Routing Table Insertion 60

Routing Table Insertion Criteria 60

How to Configure IPv6 Static Route Support for Object Tracking 60

Configuring the IPv6 Static Routing Support for Object Tracking 60

Configuration Examples for IPv6 Static Route Support for Object Tracking 62

Example: IPv6 Static Route Object Tracking 62

Additional References for IPv6 Static Route Support for Object Tracking 62

Feature Information for IPv6 Static Route Support for Object Tracking 63

---

**CHAPTER 6**

**Configuring TCP 65**

Finding Feature Information 65

Prerequisites for TCP 65

Information About TCP	66
TCP Services	66
TCP Connection Establishment	66
TCP Connection Attempt Time	67
TCP Selective Acknowledgment	67
TCP Time Stamp	67
TCP Maximum Read Size	67
TCP Path MTU Discovery	68
TCP Window Scaling	68
TCP Sliding Window	68
TCP Outgoing Queue Size	69
TCP MSS Adjustment	69
TCP Applications Flags Enhancement	69
TCP Show Extension	70
TCP MIB for RFC 4022 Support	70
Zero-Field TCP Packets	70
How to Configure TCP	70
Configuring TCP Performance Parameters	70
Configuring the MSS Value and MTU for Transient TCP SYN Packets	72
Configuring the MSS Value for IPv6 Traffic	73
Verifying TCP Performance Parameters	74
Configuration Examples for TCP	78
Example: Verifying the Configuration of TCP ECN	78
Example: Configuring the TCP MSS Adjustment	80
Example: Configuring the TCP Application Flags Enhancement	81
Example: Displaying Addresses in IP Format	81
Additional References	82
Feature Information for TCP	83

---

<b>CHAPTER 7</b>	<b>Configuring WCCP</b>	<b>87</b>
	Finding Feature Information	87
	Prerequisites for WCCP	88
	Restrictions for WCCP	88
	Information About WCCP	89

WCCP Overview	89
Layer 2 Forwarding Redirection and Return	90
WCCP Mask Assignment	90
Hardware Acceleration	91
WCCPv1 Configuration	91
WCCPv2 Configuration	92
WCCPv2 Support for Services Other Than HTTP	94
WCCPv2 Support for Multiple Routers	94
WCCPv2 MD5 Security	94
WCCPv2 Web Cache Packet Return	94
WCCPv2 Load Distribution	95
WCCP VRF Support	95
WCCP VRF Tunnel Interfaces	95
WCCP Bypass Packets	98
WCCP Closed Services and Open Services	98
WCCP Outbound ACL Check	98
WCCP Service Groups	99
WCCP—Check All Services	100
WCCP Interoperability with NAT	100
WCCP Troubleshooting Tips	100
How to Configure WCCP	101
Configuring WCCP	101
Configuring Closed Services	103
Registering a Router to a Multicast Address	104
Using Access Lists for a WCCP Service Group	105
Enabling the WCCP Outbound ACL Check	107
Enabling WCCP Interoperability with NAT	108
Verifying and Monitoring WCCP Configuration Settings	110
Configuration Examples for WCCP	111
Example: Changing the Version of WCCP on a Router	111
Example: Configuring a General WCCPv2 Session	112
Example: Setting a Password for a Router and Content Engines	112
Example: Configuring a Web Cache Service	112
Example: Running a Reverse Proxy Service	113

Example: Registering a Router to a Multicast Address	113
Example: Using Access Lists	113
Example: WCCP Outbound ACL Check Configuration	114
Example: Verifying WCCP Settings	114
Example: Enabling WCCP Interoperability with NAT	116
Additional References	116
Feature Information for WCCP	118

**CHAPTER 8****WCCP—Configurable Router ID 123**

Finding Feature Information	123
Restrictions for WCCP—Configurable Router ID	123
Information About WCCP—Configurable Router ID	124
WCCP—Configurable Router ID Overview	124
How to Configure WCCP—Configurable Router ID	124
Configuring a Preferred WCCP Router ID	124
Configuration Examples for WCCP—Configurable Router ID	125
Example: Configuring a Preferred WCCP Router ID	125
Additional References for WCCP—Configurable Router ID	125
Feature Information for WCCP—Configurable Router ID	126

**CHAPTER 9****WCCPv2—IPv6 Support 127**

Finding Feature Information	127
Prerequisites for WCCPv2—IPv6 Support	127
Restrictions for WCCPv2—IPv6 Support	128
Information About WCCPv2—IPv6 Support	128
WCCP Overview	128
Layer 2 Forwarding Redirection and Return	129
WCCP Mask Assignment	129
WCCP Hash Assignment	130
WCCPv2 Configuration	130
WCCPv2 Support for Services Other Than HTTP	131
WCCPv2 Support for Multiple Routers	131
WCCPv2 MD5 Security	131
WCCPv2 Web Cache Packet Return	132



WCCPv2 Load Distribution	132
WCCP VRF Support	132
IPv6 WCCP Tunnel Interface	133
WCCP Bypass Packets	135
WCCP Closed Services and Open Services	135
WCCP Outbound ACL Check	136
WCCP Service Groups	136
WCCP—Check All Services	137
WCCP—Configurable Router ID Overview	138
WCCP Troubleshooting Tips	138
How to Configure WCCPv2—IPv6 Support	138
Configuring a General WCCPv2—IPv6 Session	138
Configuring Services for WCCPv2—IPv6	140
Registering a Router to a Multicast Address for WCCPv2— IPv6	142
Using Access Lists for WCCPv2—IPv6 Service Group	143
Enabling the WCCP—IPv6 Outbound ACL Check	145
Verifying and Monitoring WCCPv2—IPv6 Configuration Settings	146
Configuration Examples for WCCPv2—IPv6 Support	147
Example: Configuring a General WCCPv2—IPv6 Session	147
Example: WCCPv2—IPv6—Setting a Password for a Router and Content Engines	148
Example: WCCPv2—IPv6—Configuring a Web Cache Service	148
Example: WCCPv2—IPv6—Running a Reverse Proxy Service	148
Example: WCCPv2—IPv6—Registering a Router to a Multicast Address	148
Example: WCCPv2—IPv6—Using Access Lists for a WCCPv2 IPv6 Service Group	149
Example: WCCPv2—IPv6—Configuring Outbound ACL Check	149
Example: WCCPv2—IPv6—Verifying WCCP Settings	150
Example: WCCPv2—IPv6—Cisco ASR 1000 Platform Specific Configuration	151
Additional References	152
Feature Information for WCCPv2—IPv6 Support	153

**CHAPTER 10****WCCP with Generic GRE Support 155**

Finding Feature Information	155
Restrictions for WCCP with Generic GRE Support	155
Information About WCCP with Generic GRE Support	156

WCCP with Generic GRE Support	156
Cisco WAAS AppNav Solution	156
How to Configure WCCP with Generic GRE Support	156
Configure WCCP Redirection with Generic GRE Configured on the Device Using a Loopback Interface	156
Configure WCCP Redirection with Generic GRE Configured on a Device Using a Physical Interface	159
Configuration Examples for WCCP with Generic GRE Support	162
Example: Configure WCCP Redirection with Generic GRE Configured on Device Using a Loopback Interface	162
Example: Configure WCCP Redirection with Generic GRE Configured on a Device Using a Physical Interface	162
Additional References for WCCP with Generic GRE Support	163
Feature Information for WCCP with Generic GRE Support	164



# CHAPTER 1

## Read Me First

---

### Important Information about Cisco IOS XE 16

Effective Cisco IOS XE Release 3.7.0E for Catalyst Switching and Cisco IOS XE Release 3.17S (for Access and Edge Routing) the two releases evolve (merge) into a single version of converged release—the Cisco IOS XE 16—providing one release covering the extensive range of access and edge products in the Switching and Routing portfolio.

### Feature Information

Use [Cisco Feature Navigator](#) to find information about feature support, platform support, and Cisco software image support. An account on Cisco.com is not required.

### Related References

- [Cisco IOS Command References, All Releases](#)

### Obtaining Documentation and Submitting a Service Request

- To receive timely, relevant information from Cisco, sign up at [Cisco Profile Manager](#).
- To get the business impact you're looking for with the technologies that matter, visit [Cisco Services](#).
- To submit a service request, visit [Cisco Support](#).
- To discover and browse secure, validated enterprise-class apps, products, solutions and services, visit [Cisco Marketplace](#).
- To obtain general networking, training, and certification titles, visit [Cisco Press](#).
- To find warranty information for a specific product or product family, access [Cisco Warranty Finder](#).





## CHAPTER 2

# Configuring Enhanced Object Tracking

Before the introduction of the Enhanced Object Tracking feature, the Hot Standby Router Protocol (HSRP) had a simple tracking mechanism that allowed you to track the interface line-protocol state only. If the line-protocol state of the interface went down, the HSRP priority of the router was reduced, allowing another HSRP router with a higher priority to become active.

The Enhanced Object Tracking feature separates the tracking mechanism from HSRP and creates a separate standalone tracking process that can be used by other processes and HSRP. This feature allows tracking of other objects in addition to the interface line-protocol state.

A client process such as HSRP, Virtual Router Redundancy Protocol (VRRP), or Gateway Load Balancing Protocol (GLBP), can register its interest in tracking objects and then be notified when the tracked object changes state.

- [Finding Feature Information, on page 3](#)
- [Restrictions for Enhanced Object Tracking, on page 4](#)
- [Information About Enhanced Object Tracking, on page 4](#)
- [How to Configure Enhanced Object Tracking, on page 7](#)
- [Configuration Examples for Enhanced Object Tracking, on page 23](#)
- [Additional References, on page 28](#)
- [Feature Information for Enhanced Object Tracking, on page 29](#)
- [Glossary, on page 31](#)

## Finding Feature Information

Your software release may not support all the features documented in this module. For the latest caveats and feature information, see [Bug Search Tool](#) and the release notes for your platform and software release. To find information about the features documented in this module, and to see a list of the releases in which each feature is supported, see the feature information table.

Use Cisco Feature Navigator to find information about platform support and Cisco software image support. To access Cisco Feature Navigator, go to [www.cisco.com/go/cfn](http://www.cisco.com/go/cfn). An account on Cisco.com is not required.

# Restrictions for Enhanced Object Tracking

Enhanced Object Tracking is not stateful switchover (SSO)-aware and cannot be used with Hot Standby Routing Protocol (HSRP), Virtual Router Redundancy Protocol (VRRP), or Gateway Load Balancing Protocol (GLBP) in SSO mode.

## Information About Enhanced Object Tracking

### Feature Design of Enhanced Object Tracking

The Enhanced Object Tracking feature provides complete separation between the objects to be tracked and the action to be taken by a client when a tracked object changes. Thus, several clients such as HSRP, VRRP, or GLPB can register their interest with the tracking process, track the same object, and each take different action when the object changes.

Each tracked object is identified by a unique number that is specified on the tracking CLI. Client processes use this number to track a specific object.

The tracking process periodically polls the tracked objects and notes any change of value. The changes in the tracked object are communicated to interested client processes, either immediately or after a specified delay. The object values are reported as either up or down.

You can configure a combination of tracked objects in a list and a flexible method for combining objects using Boolean logic. This functionality includes the following capabilities:

- **Threshold**—The tracked list can be configured to use a weight or percentage threshold to measure the state of the list. Each object in a tracked list can be assigned a threshold weight. The state of the tracked list is determined by whether the threshold has been met.
- **Boolean "and" function**—When a tracked list has been assigned a Boolean "and" function, each object defined within a subset must be in an up state so that the tracked object can become up.
- **Boolean "or" function**—When the tracked list has been assigned a Boolean "or" function, at least one object defined within a subset must be in an up state so that the tracked object can become up.

With CSCtg75700, a maximum of 1000 objects can be tracked. Although 1000 tracked objects can be configured, each tracked object uses CPU resources. The amount of available CPU resources on a router depends on variables such as traffic load and how other protocols are configured and run. The ability to use 1000 tracked objects depends on the available CPU. Testing should be conducted on site to ensure that the service works under the specific site traffic conditions.

### Interface State Tracking

An IP-routing object is considered up when the following criteria exist:

- IP routing is enabled and active on the interface.
- The interface line-protocol state is up.

- The interface IP address is known. The IP address is configured or received through Dynamic Host Configuration Protocol (DHCP) or IP Control Protocol (IPCP) negotiation.

Interface IP routing will go down when one of the following criteria exists:

- IP routing is disabled globally.
- The interface line-protocol state is down.
- The interface IP address is unknown. The IP address is not configured or received through DHCP or IPCP negotiation.

Tracking the IP-routing state of an interface using the **track interface ip routing** command can be more useful in some situations than just tracking the line-protocol state using the **track interface line-protocol** command, especially on interfaces for which IP addresses are negotiated. For example, on a serial interface that uses the PPP, the line protocol could be up (link control protocol [LCP] negotiated successfully), but IP could be down (IPCP negotiation failed).

The **track interface ip routing** command supports the tracking of an interface with an IP address acquired through any of the following methods:

- Conventional IP address configuration
- PPP/IPCP
- DHCP
- Unnumbered interface

You can configure Enhanced Object Tracking to consider the carrier-delay timer when tracking the IP-routing state of an interface by using the **carrier-delay** command in tracking configuration mode.

## Scaled Route Metrics

The **track ip route** command enables tracking of a route in the routing table. If a route exists in the table, the metric value is converted into a number. To provide a common interface to tracking clients, normalize route metric values to the range from 0 to 255, where 0 is connected and 255 is inaccessible. Scaled metrics can be tracked by setting thresholds. Up and down state notification occurs when the thresholds are crossed. The resulting value is compared against threshold values to determine the tracking state as follows:

- State is up if the scaled metric for that route is less than or equal to the up threshold.
- State is down if the scaled metric for that route is greater than or equal to the down threshold.

Tracking uses a per-protocol configurable resolution value to convert the real metric to the scaled metric. The table below shows the default values used for the conversion. You can use the **track resolution** command to change the metric resolution default values.

**Table 1: Metric Conversion**

Route Type <sup>1</sup>	Metric Resolution
Static	10
Enhanced Interior Gateway Routing Protocol (EIGRP)	2560

Route Type <sup>1</sup>	Metric Resolution
Open Shortest Path First (OSPF)	1
Intermediate System-to-Intermediate System (IS-IS)	10

<sup>1</sup> RIP is scaled directly to the range from 0 to 255 because its maximum metric is less than 255.

For example, a change in 10 in an IS-IS metric results in a change of 1 in the scaled metric. The default resolutions are designed so that approximately one 2-Mbps link in the path will give a scaled metric of 255.

Scaling the very large metric ranges of EIGRP and IS-IS to a 0 to 255 range is a compromise. The default resolutions will cause the scaled metric to exceed the maximum limit with a 2-Mb/s link. However, this scaling allows a distinction between a route consisting of three Fast-Ethernet links and a route consisting of four Fast-Ethernet links.

## IP SLA Operation Tracking

Object tracking of IP Service Level Agreements (SLAs) operations allows tracking clients to track the output from IP SLAs objects and use the provided information to trigger an action.

Cisco IOS IP SLAs is a network performance measurement and diagnostics tool that uses active monitoring. Active monitoring is the generation of traffic in a reliable and predictable manner to measure network performance. software uses IP SLAs to collect real-time metrics such as response time, network resource availability, application performance, jitter (interpacket delay variance), connect time, throughput, and packet loss.

These metrics can be used for troubleshooting, for proactive analysis before problems occur, and for designing network topologies.

Every IP SLAs operation maintains an operation return-code value. This return code is interpreted by the tracking process. The return code can return OK, OverThreshold, and several other return codes. Different operations can have different return-code values, so only values common to all operation types are used.

Two aspects of an IP SLAs operation can be tracked: state and reachability. The difference between these aspects is the acceptance of the OverThreshold return code. The table below shows the state and reachability aspects of IP SLAs operations that can be tracked.

**Table 2: Comparison of State and Reachability Operations**

Tracking	Return Code	Track State
State	OK	Up
	(all other return codes)	Down
Reachability	OK or OverThreshold	Up
	(all other return codes)	Down

## Enhanced Object Tracking and Embedded Event Manager

Enhanced Object Tracking (EOT) is now integrated with Embedded Event Manager (EEM) to allow EEM to report on status change of a tracked object and to allow EOT to track EEM objects. A new type of tracking



object--a stub object--is created. The stub object can be modified by an external process through a defined Application Programming Interface (API). See the Embedded Event Manager Overview document in the *Network Management Configuration Guide* for more information on how EOT works with EEM.

## Benefits of Enhanced Object Tracking

- Increases the availability and speed of recovery of a network.
- Decreases the number of network outages and their duration.
- Enables client processes such as VRRP and GLBP to track objects individually or as a list of objects. Prior to the introduction of this functionality, the tracking process was embedded within HSRP.

## How to Configure Enhanced Object Tracking

### Tracking the Line-Protocol State of an Interface

#### SUMMARY STEPS

1. **enable**
2. **configure terminal**
3. **track timer interface** *{seconds | msec milliseconds}*
4. **track object-number interface type number line-protocol**
5. **carrier-delay**
6. **delay** *{up seconds [down [seconds] | [up seconds] down seconds]}*
7. **end**
8. **show track object-number**

#### DETAILED STEPS

	Command or Action	Purpose
Step 1	<b>enable</b> <b>Example:</b> Device> enable	Enables privileged EXEC mode. <ul style="list-style-type: none"> <li>• Enter your password if prompted.</li> </ul>
Step 2	<b>configure terminal</b> <b>Example:</b> Device# configure terminal	Enters global configuration mode.
Step 3	<b>track timer interface</b> <i>{seconds   msec milliseconds}</i> <b>Example:</b> Device(config)# track timer interface 5	(Optional) Specifies the interval in which the tracking process polls the tracked object. <ul style="list-style-type: none"> <li>• The default interval that the tracking process polls interface objects is 1 second.</li> </ul>

	Command or Action	Purpose
		<b>Note</b> All polling frequencies can be configured down to 500 milliseconds, overriding the minimum 1-second interval configured using the <b>msec</b> keyword and <i>milliseconds</i> argument.
<b>Step 4</b>	<b>track</b> <i>object-number</i> <b>interface</b> <i>type number</i> <b>line-protocol</b> <b>Example:</b>  Device(config)# track 3 interface GigabitEthernet 0/0 line-protocol	Tracks the line-protocol state of an interface and enters tracking configuration mode.
<b>Step 5</b>	<b>carrier-delay</b> <b>Example:</b>  Device(config-track)# carrier-delay	(Optional) Enables EOT to consider the carrier-delay timer when tracking the status of an interface.
<b>Step 6</b>	<b>delay</b> { <b>up</b> <i>seconds</i> [ <b>down</b> [ <i>seconds</i> ]   [ <b>up</b> <i>seconds</i> ] <b>down</b> <i>seconds</i> ]}; <b>Example:</b>  Device(config-track)# delay up 30	(Optional) Specifies a period of time (in seconds) to delay communicating state changes of a tracked object.
<b>Step 7</b>	<b>end</b> <b>Example:</b>  Device(config-track)# end	Exits to privileged EXEC mode.
<b>Step 8</b>	<b>show track</b> <i>object-number</i> <b>Example:</b>  Device# show track 3	(Optional) Displays tracking information.  • Use this command to verify the configuration.

### Example

The following example shows the state of the line protocol on an interface when it is tracked:

```
Device# show track 3

Track 3
  Interface GigabitEthernet 0/0 line-protocol
  Line protocol is Up
    1 change, last change 00:00:05
  Tracked by:
    HSRP GigabitEthernet 0/3 1
```

# Tracking the IP-Routing State of an Interface

## SUMMARY STEPS

1. **enable**
2. **configure terminal**
3. **track timer interface** {seconds | msec milliseconds}
4. **track object-number interface type number ip routing**
5. **carrier-delay**
6. **delay** {up seconds [down seconds] | [up seconds] down seconds}
7. **end**
8. **show track object-number**

## DETAILED STEPS

	Command or Action	Purpose
<b>Step 1</b>	<b>enable</b> <b>Example:</b> Device> enable	Enables privileged EXEC mode. <ul style="list-style-type: none"> <li>• Enter your password if prompted.</li> </ul>
<b>Step 2</b>	<b>configure terminal</b> <b>Example:</b> Device# configure terminal	Enters global configuration mode.
<b>Step 3</b>	<b>track timer interface</b> {seconds   msec milliseconds} <b>Example:</b> Device(config)# track timer interface 5	(Optional) Specifies the interval in which the tracking process polls the tracked object. <ul style="list-style-type: none"> <li>• The default interval that the tracking process polls interface objects is 1 second.</li> </ul> <p><b>Note</b> All polling frequencies can be configured down to 500 milliseconds, overriding the minimum 1-second interval configured using the <b>msec</b> keyword and <i>milliseconds</i> argument.</p>
<b>Step 4</b>	<b>track object-number interface type number ip routing</b> <b>Example:</b> Device(config)# track 1 interface GigabitEthernet 0/0 ip routing	Tracks the IP-routing state of an interface and enters tracking configuration mode. <ul style="list-style-type: none"> <li>• IP-route tracking tracks an IP route in the routing table and the ability of an interface to route IP packets.</li> </ul>
<b>Step 5</b>	<b>carrier-delay</b> <b>Example:</b> Device(config-track)# carrier-delay	(Optional) Enables EOT to consider the carrier-delay timer when tracking the status of an interface.

	Command or Action	Purpose
<b>Step 6</b>	<b>delay</b> { <b>up</b> <i>seconds</i> [ <b>down</b> <i>seconds</i> ]   [ <b>up</b> <i>seconds</i> ] <b>down</b> <i>seconds</i> } <b>Example:</b> Device(config-track)# delay up 30	(Optional) Specifies a period of time (in seconds) to delay communicating state changes of a tracked object.
<b>Step 7</b>	<b>end</b> <b>Example:</b> Device(config-track)# end	Returns to privileged EXEC mode.
<b>Step 8</b>	<b>show track</b> <i>object-number</i> <b>Example:</b> Device# show track 1	Displays tracking information. <ul style="list-style-type: none"> <li>• Use this command to verify the configuration.</li> </ul>

### Example

The following example shows the state of IP routing on an interface when it is tracked:

```
Device# show track 1

Track 1
  Interface GigabitEthernet 0/1 ip routing
  IP routing is Up
    1 change, last change 00:01:08
  Tracked by:
    HSRP GigabitEthernet 0/3 1
```

## Tracking IP-Route Reachability

Perform this task to track the reachability of an IP route. A tracked object is considered up when a routing table entry exists for the route and the route is accessible.

### SUMMARY STEPS

1. **enable**
2. **configure terminal**
3. **track timer ip route** {*seconds* | **msec** *milliseconds*}
4. **track object-number ip route** *ip-address/prefix-length* **reachability**
5. **delay** {**up** *seconds* [**down** *seconds*] | [**up** *seconds*] **down** *seconds*}
6. **ip vrf** *vrf-name*
7. **end**
8. **show track** *object-number*

## DETAILED STEPS

	Command or Action	Purpose
Step 1	<b>enable</b> <b>Example:</b> <pre>Device&gt; enable</pre>	Enables privileged EXEC mode. <ul style="list-style-type: none"> <li>• Enter your password if prompted.</li> </ul>
Step 2	<b>configure terminal</b> <b>Example:</b> <pre>Device# configure terminal</pre>	Enters global configuration mode.
Step 3	<b>track timer ip route</b> <i>{seconds   msec milliseconds}</i> <b>Example:</b> <pre>Device(config)# track timer ip route 20</pre>	(Optional) Specifies the interval in which the tracking process polls the tracked object. <ul style="list-style-type: none"> <li>• The default interval that the tracking process polls IP-route objects is 15 seconds.</li> </ul> <p><b>Note</b> All polling frequencies can be configured down to 500 milliseconds, overriding the minimum 1-second interval configured using the <b>msec</b> keyword and <i>milliseconds</i> argument.</p>
Step 4	<b>track object-number ip route ip-address/prefix-length reachability</b> <b>Example:</b> <pre>Device(config)# track 4 ip route 10.16.0.0/16 reachability</pre>	Tracks the reachability of an IP route and enters tracking configuration mode.
Step 5	<b>delay</b> <i>{up seconds [down seconds]   [up seconds] down seconds}</i> <b>Example:</b> <pre>Device(config-track)# delay up 30</pre>	(Optional) Specifies a period of time (in seconds) to delay communicating state changes of a tracked object.
Step 6	<b>ip vrf vrf-name</b> <b>Example:</b> <pre>Device(config-track)# ip vrf VRF2</pre>	(Optional) Configures a VPN routing and forwarding (VRF) table.
Step 7	<b>end</b> <b>Example:</b> <pre>Device(config-track)# end</pre>	Returns to privileged EXEC mode.
Step 8	<b>show track object-number</b> <b>Example:</b>	(Optional) Displays tracking information. <ul style="list-style-type: none"> <li>• Use this command to verify the configuration.</li> </ul>

	Command or Action	Purpose
	Device# show track 4	

### Example

The following example shows the state of the reachability of an IP route when it is tracked:

```
Device# show track 4

Track 4
  IP route 10.16.0.0 255.255.0.0 reachability
  Reachability is Up (RIP)
    1 change, last change 00:02:04
  First-hop interface is Ethernet0/1
  Tracked by:
    HSRP Ethernet0/3 1
```

## Tracking the Threshold of IP-Route Metrics

### SUMMARY STEPS

1. **enable**
2. **configure terminal**
3. **track timer ip route** {seconds | msec milliseconds}
4. **track resolution ip route** {eigrp | isis | ospf | static} resolution-value
5. **track object-number ip route** ip-address/prefix-length metric threshold
6. **delay** {up seconds [down seconds] | [up seconds] down seconds}
7. **ip vrf** vrf-name
8. **threshold metric** {up number [down number] | down number [up number ]}
9. **end**
10. **show track** object-number

### DETAILED STEPS

	Command or Action	Purpose
<b>Step 1</b>	<b>enable</b> <b>Example:</b> Device> enable	Enables privileged EXEC mode. <ul style="list-style-type: none"> <li>• Enter your password if prompted.</li> </ul>
<b>Step 2</b>	<b>configure terminal</b> <b>Example:</b> Device# configure terminal	Enters global configuration mode.

	Command or Action	Purpose
Step 3	<p><b>track timer ip route</b> <i>{seconds   msec milliseconds}</i></p> <p><b>Example:</b></p> <pre>Device(config)# track timer ip route 20</pre>	<p>(Optional) Specifies the interval in which the tracking process polls the tracked object.</p> <ul style="list-style-type: none"> <li>The default interval that the tracking process polls IP-route objects is 15 seconds.</li> </ul> <p><b>Note</b> All polling frequencies can be configured down to 500 milliseconds, overriding the minimum 1-second interval configured using the <b>msec</b> keyword and <i>milliseconds</i> argument.</p>
Step 4	<p><b>track resolution ip route</b> <i>{eigrp   isis   ospf   static} resolution-value</i></p> <p><b>Example:</b></p> <pre>Device(config)# track resolution ip route eigrp 300</pre>	<p>(Optional) Specifies resolution parameters for a tracked object.</p> <ul style="list-style-type: none"> <li>Use this command to change the default metric resolution values.</li> </ul>
Step 5	<p><b>track object-number ip route ip-address/prefix-length metric threshold</b></p> <p><b>Example:</b></p> <pre>Device(config)# track 6 ip route 10.16.0.0/16 metric threshold</pre>	<p>Tracks the scaled metric value of an IP route to determine if it is above or below a threshold and enters tracking configuration mode.</p> <ul style="list-style-type: none"> <li>The default down value is 255, which equates to an inaccessible route.</li> <li>The default up value is 254.</li> </ul>
Step 6	<p><b>delay</b> <i>{up seconds [down seconds]   [up seconds] down seconds}</i></p> <p><b>Example:</b></p> <pre>Device(config-track)# delay up 30</pre>	<p>(Optional) Specifies a period of time (in seconds) to delay communicating state changes of a tracked object.</p>
Step 7	<p><b>ip vrf vrf-name</b></p> <p><b>Example:</b></p> <pre>Device(config-track)# ip vrf VRF1</pre>	<p>(Optional) Configures a VRF table.</p>
Step 8	<p><b>threshold metric</b> <i>{up number [down number]   down number [up number]}</i></p> <p><b>Example:</b></p> <pre>Device(config-track)# threshold metric up 254 down 255</pre>	<p>(Optional) Sets a metric threshold other than the default value.</p>
Step 9	<p><b>end</b></p> <p><b>Example:</b></p> <pre>Device(config-track)# end</pre>	<p>Exits to privileged EXEC mode.</p>

	Command or Action	Purpose
<b>Step 10</b>	<b>show track</b> <i>object-number</i> <b>Example:</b> Device# show track 6	(Optional) Displays tracking information. <ul style="list-style-type: none"> <li>• Use this command to verify the configuration.</li> </ul>

### Example

The following example shows the metric threshold of an IP route when it is tracked:

```
Device# show track 6

Track 6
  IP route 10.16.0.0 255.255.0.0 metric threshold
  Metric threshold is Up (RIP/6/102)
    1 change, last change 00:00:08
  Metric threshold down 255 up 254
  First-hop interface is Ethernet0/1
  Tracked by:
    HSRP Ethernet0/3 1
```

## Tracking the State of an IP SLAs Operation

### SUMMARY STEPS

1. enable
2. configure terminal
3. track *object-number* ip sla *operation-number* state
4. delay {up *seconds* [down *seconds* | [up *seconds*] down *seconds*}
5. end
6. show track *object-number*

### DETAILED STEPS

	Command or Action	Purpose
<b>Step 1</b>	<b>enable</b> <b>Example:</b> Device> enable	Enables privileged EXEC mode. <ul style="list-style-type: none"> <li>• Enter your password if prompted.</li> </ul>
<b>Step 2</b>	<b>configure terminal</b> <b>Example:</b> Device# configure terminal	Enters global configuration mode.
<b>Step 3</b>	<b>track</b> <i>object-number</i> ip sla <i>operation-number</i> state <b>Example:</b>	Tracks the state of an IP SLAs object and enters tracking configuration mode.



	Command or Action	Purpose
	Device(config)# track 2 ip sla 4 state	With CSCsf08092, the <b>track rtr</b> command was replaced by the <b>track ip sla</b> command.
<b>Step 4</b>	<b>delay {up seconds [down seconds]   [up seconds] down seconds}</b> <b>Example:</b> Device(config-track)# delay up 60 down 30	(Optional) Specifies a period of time (in seconds) to delay communicating state changes of a tracked object.
<b>Step 5</b>	<b>end</b> <b>Example:</b> Device(config-track)# end	Exits to privileged EXEC mode.
<b>Step 6</b>	<b>show track object-number</b> <b>Example:</b> Device# show track 2	(Optional) Displays tracking information. <ul style="list-style-type: none"> <li>• Use this command to verify the configuration.</li> </ul>

### Example

The following example shows the state of the IP SLAs tracking:

```
Device# show track 2

Track 2
  IP SLA 1 state
  State is Down
    1 change, last change 00:00:47
  Latest operation return code: over threshold
  Latest RTT (millisecs) 4
  Tracked by:
    HSRP Ethernet0/1 3
```

## Tracking the Reachability of an IP SLAs IP Host

### SUMMARY STEPS

1. enable
2. configure terminal
3. track object-number ip sla operation-number reachability
4. delay {up seconds [down seconds] | [up seconds] downseconds}
5. end
6. show track object-number

## DETAILED STEPS

	Command or Action	Purpose
<b>Step 1</b>	<b>enable</b> <b>Example:</b> Device> enable	Enables privileged EXEC mode. <ul style="list-style-type: none"> <li>• Enter your password if prompted.</li> </ul>
<b>Step 2</b>	<b>configure terminal</b> <b>Example:</b> Device# configure terminal	Enters global configuration mode.
<b>Step 3</b>	<b>track object-number ip sla operation-number reachability</b> <b>Example:</b> Device(config)# track 2 ip sla 4 reachability	Tracks the reachability of an IP SLAs IP host and enters tracking configuration mode.  <b>Note</b> With CSCsf08092, the <b>track rtr</b> command was replaced by the <b>track ip sla</b> command.
<b>Step 4</b>	<b>delay {up seconds [down seconds]   [up seconds] downseconds}</b> <b>Example:</b> Device(config-track)# delay up 30 down 10	(Optional) Specifies a period of time (in seconds) to delay communicating state changes of a tracked object.
<b>Step 5</b>	<b>end</b> <b>Example:</b> Device(config-track)# end	Exits to privileged EXEC mode.
<b>Step 6</b>	<b>show track object-number</b> <b>Example:</b> Device# show track 3	(Optional) Displays tracking information. <ul style="list-style-type: none"> <li>• Use this command to verify the configuration.</li> </ul>

**Example**

The following example shows whether the route is reachable:

```
Device# show track 3

Track 3
  IP SLA 1 reachability
  Reachability is Up
    1 change, last change 00:00:47
  Latest operation return code: over threshold
  Latest RTT (milliseconds) 4
  Tracked by:
    HSRP Ethernet0/1 3
```

## Configuring a Tracked List and Boolean Expression

Perform this task to configure a tracked list of objects and a Boolean expression to determine the state of the list. A tracked list contains one or more objects. The Boolean expression enables two types of calculations by using either “and” or “or” operators. For example, when you configure tracking for two interfaces using the “and” operator up means that *both* interfaces are up, and down means that either interface is down.

You may configure a tracked list state to be measured using a weight or percentage threshold. See the [Configuring a Tracked List and Threshold Weight](#) section and the [Configuring a Tracked List and Threshold Percentage](#) section.

### Before you begin

An object must exist before it can be added to a tracked list.



**Note** The “not” operator is specified for one or more objects and negates the state of the object.

### SUMMARY STEPS

1. **enable**
2. **configure terminal**
3. **track** *track-number* **list boolean** {and | or}
4. **object** *object-number* [not]
5. **delay** {up *seconds* [down *seconds*] | [up *seconds*] down *seconds*}
6. **end**

### DETAILED STEPS

	Command or Action	Purpose
Step 1	<b>enable</b> <b>Example:</b> Device> enable	Enables privileged EXEC mode. <ul style="list-style-type: none"> <li>• Enter your password if prompted.</li> </ul>
Step 2	<b>configure terminal</b> <b>Example:</b> Device# configure terminal	Enters global configuration mode.
Step 3	<b>track</b> <i>track-number</i> <b>list boolean</b> {and   or} <b>Example:</b> Device(config)# track 100 list boolean and	Configures a tracked list object and enters tracking configuration mode.

	Command or Action	Purpose
<b>Step 4</b>	<b>object</b> <i>object-number</i> [ <b>not</b> ] <b>Example:</b> <pre>Device(config-track)# object 3 not</pre>	Specifies the object to be tracked. <ul style="list-style-type: none"> <li>The <i>object-number</i> argument has a valid range from 1 to 500. There is no default. The optional <b>not</b> keyword negates the state of the object.</li> </ul> <b>Note</b> The example means that when object 3 is up, the tracked list detects object 3 as down.
<b>Step 5</b>	<b>delay</b> { <b>up</b> <i>seconds</i> [ <b>down</b> <i>seconds</i> ]   [ <b>up</b> <i>seconds</i> ] <b>down</b> <i>seconds</i> } <b>Example:</b> <pre>Device(config-track)# delay up 3</pre>	(Optional) Specifies a tracking delay in seconds between up and down states.
<b>Step 6</b>	<b>end</b> <b>Example:</b> <pre>Device(config-track)# end</pre>	Returns to privileged EXEC mode.

## Configuring a Tracked List and Threshold Weight

Perform this task to configure a list of tracked objects, to specify that weight be used as the threshold, and to configure a weight for each of the objects in the list of tracked objects. A tracked list contains one or more objects. Enhanced object tracking uses a threshold weight to determine the state of each object by comparing the total weight of all objects that are up against a threshold weight for each object.

You can also configure a tracked list state to be measured using a Boolean calculation or threshold percentage. See the [Configuring a Tracked List and Boolean Expression](#) section and the [Configuring a Tracked List and Threshold Percentage](#) section.

### Before you begin

An object must exist before it can be added to a tracked list.



**Note** You cannot use the Boolean “not” operator in a weight or percentage threshold list.

### SUMMARY STEPS

1. **enable**
2. **configure terminal**
3. **track** *track-number* **list threshold weight**
4. **object** *object-number* [**weight** *weight-number*]
5. **threshold weight** {**up** *number* **down** *number* | **up** *number* | **down** *number*}
6. **delay** {**up** *seconds* [**down** *seconds*] | [**up** *seconds*] **down** *seconds*}
7. **end**

## DETAILED STEPS

	Command or Action	Purpose
Step 1	<b>enable</b> <b>Example:</b> Device> enable	Enables privileged EXEC mode. <ul style="list-style-type: none"> <li>• Enter your password if prompted.</li> </ul>
Step 2	<b>configure terminal</b> <b>Example:</b> Device# configure terminal	Enters global configuration mode.
Step 3	<b>track <i>track-number</i> list threshold weight</b> <b>Example:</b> Device(config)# track 100 list threshold weight	Configures a tracked list object and enters tracking configuration mode. The keywords are as follows: <ul style="list-style-type: none"> <li>• <b>threshold</b> —Specifies that the state of the tracked list is based on a threshold.</li> <li>• <b>weight</b> —Specifies that the threshold is based on a specified weight.</li> </ul>
Step 4	<b>object <i>object-number</i> [weight <i>weight-number</i>]</b> <b>Example:</b> Device(config-track)# object 3 weight 30	Specifies the object to be tracked. The <i>object-number</i> argument has a valid range from 1 to 500. There is no default. The optional <b>weight</b> keyword specifies a threshold weight for each object.
Step 5	<b>threshold weight {up <i>number</i> down <i>number</i>   up <i>number</i>   down <i>number</i>}</b> <b>Example:</b> Device(config-track)# threshold weight up 30	Specifies the threshold weight. <ul style="list-style-type: none"> <li>• <b>up <i>number</i></b> —Valid range is from 1 to 255.</li> <li>• <b>down <i>number</i></b>—Range depends upon what you select for the <b>up</b> keyword. For example, if you configure 25 for up, you will see a range from 0 to 24 for down.</li> </ul>
Step 6	<b>delay {up <i>seconds</i> [down <i>seconds</i>]   [up <i>seconds</i>] down <i>seconds</i>}</b> <b>Example:</b> Device(config-track)# delay up 3	(Optional) Specifies a tracking delay in seconds between up and down states.
Step 7	<b>end</b> <b>Example:</b> Device(config-track)# end	Returns to privileged EXEC mode.

## Configuring a Tracked List and Threshold Percentage

Perform this task to configure a tracked list of objects, to specify that a percentage will be used as the threshold, and to specify a percentage for each object in the list. A tracked list contains one or more objects. Enhanced

object tracking uses the threshold percentage to determine the state of the list by comparing the assigned percentage of each object to the list.

You may also configure a tracked list state to be measured using a Boolean calculation or threshold weight. See the [Configuring a Tracked List and Boolean Expression](#) section and the [Configuring a Tracked List and Threshold Weight](#) section.



**Note** You cannot use the Boolean “not” operator in a weight or percentage threshold list.

### Before you begin

An object must exist before it can be added to a tracked list.

## SUMMARY STEPS

1. **enable**
2. **configure terminal**
3. **track *track-number* list threshold percentage**
4. **object *object-number***
5. **threshold percentage {up *number* [down *number*] | down *number* [up *number*]}**
6. **delay {up *seconds* [down *seconds*] | [up *seconds*] down *seconds*}**
7. **end**

## DETAILED STEPS

	Command or Action	Purpose
<b>Step 1</b>	<b>enable</b> <b>Example:</b> Device> enable	Enables privileged EXEC mode. <ul style="list-style-type: none"> <li>• Enter your password if prompted.</li> </ul>
<b>Step 2</b>	<b>configure terminal</b> <b>Example:</b> Device# configure terminal	Enters global configuration mode.
<b>Step 3</b>	<b>track <i>track-number</i> list threshold percentage</b> <b>Example:</b> Device(config)# track 100 list threshold percentage	Configures a tracked list object and enters tracking configuration mode. The keywords are as follows: <ul style="list-style-type: none"> <li>• <b>threshold</b> —Specifies that the state of the tracked list is based on a threshold.</li> <li>• <b>percentage</b> —Specifies that the threshold is based on a percentage.</li> </ul>
<b>Step 4</b>	<b>object <i>object-number</i></b> <b>Example:</b>	Specifies the object to be tracked. <ul style="list-style-type: none"> <li>• The <i>object-number</i> argument has a valid range from 1 to 500. There is no default.</li> </ul>

	Command or Action	Purpose
	Device(config-track)# object 3	
<b>Step 5</b>	<p><b>threshold percentage</b> {<b>up number</b> [<b>down number</b>]   <b>down number</b> [<b>up number</b>]}</p> <p><b>Example:</b></p> <pre>Device(config-track)# threshold percentage up 30</pre>	<p>Specifies the threshold percentage.</p> <ul style="list-style-type: none"> <li>• <b>up number</b>—Valid range is from 1 to 100.</li> <li>• <b>down number</b> —Range depends upon what you have selected for the <b>up</b> keyword. For example, if you specify 25 as up, a range from 26 to 100 is displayed for the <b>down</b> keyword.</li> </ul>
<b>Step 6</b>	<p><b>delay</b> {<b>up seconds</b> [<b>down seconds</b>]   [<b>up seconds</b>] <b>down seconds</b>}</p> <p><b>Example:</b></p> <pre>Device(config-track)# delay up 3</pre>	(Optional) Specifies a tracking delay in seconds between up and down states.
<b>Step 7</b>	<p><b>end</b></p> <p><b>Example:</b></p> <pre>Device(config-track)# end</pre>	Returns to privileged EXEC mode.

## Configuring Track List Defaults

Perform this task to configure a default delay value for a tracked list, a default object, and default threshold parameters for a tracked list.

### SUMMARY STEPS

1. **enable**
2. **configure terminal**
3. **track track-number**
4. **default** {**delay** | **object object-number** | **threshold percentage**}
5. **end**

### DETAILED STEPS

	Command or Action	Purpose
<b>Step 1</b>	<p><b>enable</b></p> <p><b>Example:</b></p> <pre>Device&gt; enable</pre>	<p>Enables privileged EXEC mode.</p> <ul style="list-style-type: none"> <li>• Enter your password if prompted.</li> </ul>
<b>Step 2</b>	<p><b>configure terminal</b></p> <p><b>Example:</b></p>	Enters global configuration mode.

	Command or Action	Purpose
	Device# configure terminal	
<b>Step 3</b>	<b>track</b> <i>track-number</i> <b>Example:</b> Device(config)# track 3	Enters tracking configuration mode.
<b>Step 4</b>	<b>default</b> { <b>delay</b>   <b>object</b> <i>object-number</i>   <b>threshold percentage</b> } <b>Example:</b> Device(config-track)# default delay	Specifies a default delay value for a tracked list, a default object, and default threshold parameters for a tracked list. <ul style="list-style-type: none"> <li>• <b>delay</b> —Reverts to the default delay.</li> <li>• <b>object</b> <i>object-number</i>—Specifies a default object for the track list. The valid range is from 1 to 1000.</li> <li>• <b>threshold percentage</b>—Specifies a default threshold percentage.</li> </ul>
<b>Step 5</b>	<b>end</b> <b>Example:</b> Device(config-track)# end	Returns to privileged EXEC mode.

## Configuring Tracking for Mobile IP Applications

Perform this task to configure a tracked list of Mobile IP application objects.

### SUMMARY STEPS

1. enable
2. configure terminal
3. track *track-number* application home-agent
4. exit
5. track *track-number* application pdsn
6. exit
7. track *track-number* application ggsn
8. end

### DETAILED STEPS

	Command or Action	Purpose
<b>Step 1</b>	<b>enable</b> <b>Example:</b> Device> enable	Enables privileged EXEC mode. <ul style="list-style-type: none"> <li>• Enter your password if prompted.</li> </ul>



	Command or Action	Purpose
<b>Step 2</b>	<b>configure terminal</b> <b>Example:</b>  Device# configure terminal	Enters global configuration mode.
<b>Step 3</b>	<b>track <i>track-number</i> application home-agent</b> <b>Example:</b>  Device(config)# track 100 application home-agent	(Optional) Tracks the presence of Home Agent traffic on a router and enters tracking configuration mode.
<b>Step 4</b>	<b>exit</b> <b>Example:</b>  Device(config-track)# exit	Returns to global configuration mode.
<b>Step 5</b>	<b>track <i>track-number</i> application pdsn</b> <b>Example:</b>  Device(config)# track 100 application pdsn	(Optional) Tracks the presence of Packet Data Serving Node (PDSN) traffic on a router tracking configuration mode.
<b>Step 6</b>	<b>exit</b> <b>Example:</b>  Device(config-track)# exit	Returns to global configuration mode.
<b>Step 7</b>	<b>track <i>track-number</i> application ggsn</b> <b>Example:</b>  Device(config)# track 100 application ggsn	(Optional) Tracks the presence of Gateway GPRS Support Node (GGSN) traffic on a router tracking configuration mode.
<b>Step 8</b>	<b>end</b> <b>Example:</b>  Device(config)# end	Returns to privileged EXEC mode.

## Configuration Examples for Enhanced Object Tracking

### Example: Interface Line Protocol

In the following example, the tracking process is configured to track the line-protocol state of GigabitEthernet interface 1/0/0. HSRP on GigabitEthernet interface 0/0/0 then registers with the tracking process to be informed of any changes to the line-protocol state of GigabitEthernet interface 1/0/0. If the line protocol on GigabitEthernet interface 1/0/0 goes down, the priority of the HSRP group is reduced by 10.

### Router A Configuration

```
Device(config)# track 100 interface GigabitEthernet1/0/0 line-protocol
!
Device(config)# interface GigabitEthernet0/0/0
Device(config-if)# ip address 10.1.0.21 255.255.0.0
Device(config-if)# standby 1 preempt
Device(config-if)# standby 1 ip 10.1.0.1
Device(config-if)# standby 1 priority 110
Device(config-if)# standby 1 track 100 decrement 10
```

### Router B Configuration

```
Device(config)# track 100 interface GigabitEthernet1/0/0 line-protocol
!
Device(config)# interface GigabitEthernet0/0/0
Device(config-if)# ip address 10.1.0.22 255.255.0.0
Device(config-if)# standby 1 preempt
Device(config-if)# standby 1 ip 10.1.0.1
Device(config-if)# standby 1 priority 105
Device(config-if)# standby 1 track 100 decrement 10
```

## Example: Interface IP Routing

In the following example, the tracking process is configured to track the IP-routing capability of GigabitEthernet interface 1/0/0. HSRP on GigabitEthernet interface 0/0/0 then registers with the tracking process to be informed of any changes to the IP-routing state of GigabitEthernet interface 1/0/0. If the IP-routing state on GigabitEthernet interface 1/0/0 goes down, the priority of the HSRP group is reduced by 10.

If both serial interfaces are operational, Router A will be the HSRP active router because it has the higher priority. However, if IP on GigabitEthernet interface 1/0/0 in Router A fails, the HSRP group priority will be reduced and Router B will take over as the active router, thus maintaining a default virtual gateway service to hosts on the 10.1.0.0 subnet.

See the figure below for a sample topology.

**Figure 1: Topology for IP-Routing Support**



### Router A Configuration

```
Device(config)# track 100 interface GigabitEthernet1/0/0 ip routing
!
Device(config)# interface GigabitEthernet0/0/0
Device(config-if)# ip address 10.1.0.21 255.255.0.0
Device(config-if)# standby 1 preempt
Device(config-if)# standby 1 ip 10.1.0.1
```

```
Device(config-if)# standby 1 priority 110
Device(config-if)# standby 1 track 100 decrement 10
```

### Router B Configuration

```
Device(config)# track 100 interface GigabitEthernet1/0/0 ip routing
!
Device(config)# interface GigabitEthernet0/0/0
Device(config-if)# ip address 10.1.0.22 255.255.0.0
Device(config-if)# standby 1 preempt
Device(config-if)# standby 1 ip 10.1.0.1
Device(config-if)# standby 1 priority 105
Device(config-if)# standby 1 track 100 decrement 10
```

## Example: IP-Route Reachability

In the following example, the tracking process is configured to track the reachability of IP route 10.2.2.0/24:

### Router A Configuration

```
Device(config)# track 100 ip route 10.2.2.0/24 reachability
!
Device(config)# interface GigabitEthernet0/0/0
Device(config-if)# ip address 10.1.1.21 255.255.255.0
Device(config-if)# standby 1 preempt
Device(config-if)# standby 1 ip 10.1.1.1
Device(config-if)# standby 1 priority 110
Device(config-if)# standby 1 track 100 decrement 10
```

### Router B Configuration

```
Device(config)# track 100 ip route 10.2.2.0/24 reachability
!
Device(config)# interface GigabitEthernet0/0/0
Device(config-if)# ip address 10.1.1.22 255.255.255.0
Device(config-if)# standby 1 preempt
Device(config-if)# standby 1 ip 10.1.1.1
Device(config-if)# standby 1 priority 105
Device(config-if)# standby 1 track 100 decrement 10
```

## Example: IP-Route Threshold Metric

In the following example, the tracking process is configured to track the threshold metric of IP route 10.2.2.0/24:

### Router A Configuration

```
Device(config)# track 100 ip route 10.2.2.0/24 metric threshold
!
Device(config)# interface GigabitEthernet0/0/0
Device(config-if)# ip address 10.1.1.21 255.255.255.0
Device(config-if)# standby 1 preempt
Device(config-if)# standby 1 ip 10.1.1.1
Device(config-if)# standby 1 priority 110
Device(config-if)# standby 1 track 100 decrement 10
```

## Router B Configuration

```

Device(config)# track 100 ip route 10.2.2.0/24 metric threshold
!
Device(config)# interface GigabitEthernet0/0/0
Device(config-if)# ip address 10.1.1.22 255.255.255.0
Device(config-if)# standby 1 preempt
Device(config-if)# standby 1 ip 10.1.1.1
Device(config-if)# standby 1 priority 105
Device(config-if)# standby 1 track 100 decrement 10

```

## Example: IP SLAs IP Host Tracking

The following example shows how to configure IP host tracking for IP SLAs operation 1 prior to CSCsf08092:

```

Device(config)# ip sla 1
Device(config-ip-sla)# icmp-echo 10.51.12.4
Device(config-ip-sla-echo)# timeout 1000
Device(config-ip-sla-echo)# threshold 2
Device(config-ip-sla-echo)# frequency 3
Device(config-ip-sla-echo)# request-data-size 1400
Device(config-ip-sla-echo)# exit
Device(config)# ip sla schedule 1 start-time now life forever
Device(config-ip-sla)# track 2 rtr 1 state
Device(config-ip-sla)# exit
Device(config)# track 3 rtr 1 reachability
Device(config-track)# exit
Device(config)# interface ethernet0/1
Device(config-if)# ip address 10.21.0.4 255.255.0.0
Device(config-if)# no shutdown
Device(config-if)# standby 3 ip 10.21.0.10
Device(config-if)# standby 3 priority 120
Device(config-if)# standby 3 preempt
Device(config-if)# standby 3 track 2 decrement 10
Device(config-if)# standby 3 track 3 decrement 10

```

The following example shows how to configure IP host tracking for IP SLAs operation 1 prior to CSCsf08092:

```

Device(config)# ip sla 1
Device(config-ip-sla)# icmp-echo 10.51.12.4
Device(config-ip-sla-echo)# threshold 2
Device(config-ip-sla-echo)# timeout 1000
Device(config-ip-sla-echo)# frequency 3
Device(config-ip-sla-echo)# request-data-size 1400
Device(config-ip-sla-echo)# exit
Device(config)# ip sla schedule 1 start-time now life forever
Device(config)# track 2 ip sla 1 state
Device(config-track)# exit
Device(config)# track 3 ip sla 1 reachability
Device(config-track)# exit
Device(config)# interface ethernet0/1
Device(config-if)# ip address 10.21.0.4 255.255.0.0
Device(config-if)# no shutdown
Device(config-if)# standby 3 ip 10.21.0.10
Device(config-if)# standby 3 priority 120
Device(config-if)# standby 3 preempt
Device(config-if)# standby 3 track 2 decrement 10
Device(config-if)# standby 3 track 3 decrement 10

```

## Example: Boolean Expression for a Tracked List

In the following example, a track list object is configured to track two GigabitEthernet interfaces when both interfaces are up and when either interface is down:

```
Device(config)# track 1 interface GigabitEthernet2/0/0 line-protocol
Device(config)# track 2 interface GigabitEthernet2/1/0 line-protocol
Device(config-track)# exit
Device(config)# track 100 list boolean and
Device(config-track)# object 1
Device(config-track)# object 2
```

In the following example, a track list object is configured to track two GigabitEthernet interfaces when either interface is up and when both interfaces are down:

```
Device(config)# track 1 interface GigabitEthernet2/0/0 line-protocol
Device(config)# track 2 interface GigabitEthernet2/1/0 line-protocol
Device(config-track)# exit
Device(config)# track 101 list boolean or
Device(config-track)# object 1
Device(config-track)# object 2
```

The following configuration example shows that tracked list 4 has two objects and one object state is negated (if the list is up, the list detects that object 2 is down):

```
Device(config)# track 4 list boolean and
Device(config-track)# object 1
Device(config-track)# object 2 not
```

## Example: Threshold Weight for a Tracked List

In the following example, three GigabitEthernet interfaces in tracked list 100 are configured with a threshold weight of 20 each. The down threshold is configured to 0 and the up threshold is configured to 40:

```
Device(config)# track 1 interface GigabitEthernet2/0/0 line-protocol
Device(config)# track 2 interface GigabitEthernet2/1/0 line-protocol
Device(config)# track 3 interface GigabitEthernet2/2/0 line-protocol
Device(config-track)# exit
Device(config)# track 100 list threshold weight
Device(config-track)# object 1 weight 20
Device(config-track)# object 2 weight 20
Device(config-track)# object 3 weight 20
Device(config-track)# threshold weight up 40 down 0
```

In the example above the track-list object goes down only when all three serial interfaces go down, and comes up again only when at least two interfaces are up (because  $20 + 20 \geq 40$ ). The advantage of this configuration is that it prevents the track-list object from coming up if two interfaces are down and the third interface is flapping.

The following configuration example shows that if object 1 and object 2 are down, then track list 4 is up, because object 3 satisfies the up threshold value of up 30. But, if object 3 is down, both objects 1 and 2 need to be up in order to satisfy the threshold weight.

```
Device(config)# track 4 list threshold weight
Device(config-track)# object 1 weight 15
Device(config-track)# object 2 weight 20
```

**Example: Threshold Percentage for a Tracked List**

```
Device(config-track)# object 3 weight 30
Device(config-track)# threshold weight up 30 down 10
```

This configuration may be useful to you if you have two small bandwidth connections (represented by object 1 and 2) and one large bandwidth connection (represented by object 3). Also the down 10 value means that once the tracked object is up, it will not go down until the threshold value is lower or equal to 10, which in this example means that all connections are down.

**Example: Threshold Percentage for a Tracked List**

In the following example, four GigabitEthernet interfaces in track list 100 are configured for an up threshold percentage of 75. The track list is up when 75 percent of the interfaces are up and down when fewer than 75 percent of the interfaces are up.

```
Device(config)# track 1 interface GigabitEthernet2/0/0 line-protocol
Device(config)# track 2 interface GigabitEthernet2/1/0 line-protocol
Device(config)# track 3 interface GigabitEthernet2/2/0 line-protocol
Device(config)# track 4 interface GigabitEthernet2/3/0 line-protocol
Device(config-track)# exit
Device(config)# track 100 list threshold percentage
Device(config-track)# object 1
Device(config-track)# object 2
Device(config-track)# object 3
Device(config-track)# object 4
Device(config-track)# threshold percentage up 75
```

**Additional References****Related Documents**

Related Topic	Document Title
Cisco IOS commands	<a href="#">Cisco IOS Master Commands List, All Releases</a>
Embedded Event Manager	<i>Embedded Event Manager Overview</i>
HSRP concepts and configuration tasks	<i>Configuring HSRP</i>
GLBP concepts and configuration tasks	<i>Configuring GLBP</i>
IP SLAs commands	<i>Cisco IOS IP SLAs Command Reference</i>
VRRP concepts and configuration tasks	<i>Configuring VRRP</i>
GLBP, HSRP, and VRRP commands	<i>Cisco IOS IP Application Services Command Reference</i>

**Standards**

Standards	Title
No new or modified standards are supported by this feature, and support for existing standards has not been modified by this feature.	—

**MIBs**

MIBs	MIBs Link
No new or modified MIBs are supported by this feature, and support for existing MIBs has not been modified by this feature.	To locate and download MIBs for selected platforms, Cisco software releases, and feature sets, use Cisco MIB Locator found at the following URL:  <a href="http://www.cisco.com/go/mibs">http://www.cisco.com/go/mibs</a>

**RFCs**

RFCs	Title
No new or modified RFCs are supported by this feature, and support for existing RFCs has not been modified by this feature.	—

**Technical Assistance**

Description	Link
The Cisco Support and Documentation website provides online resources to download documentation, software, and tools. Use these resources to install and configure the software and to troubleshoot and resolve technical issues with Cisco products and technologies. Access to most tools on the Cisco Support and Documentation website requires a Cisco.com user ID and password.	<a href="http://www.cisco.com/cisco/web/support/index.html">http://www.cisco.com/cisco/web/support/index.html</a>

## Feature Information for Enhanced Object Tracking

The following table provides release information about the feature or features described in this module. This table lists only the software release that introduced support for a given feature in a given software release train. Unless noted otherwise, subsequent releases of that software release train also support that feature.

Use Cisco Feature Navigator to find information about platform support and Cisco software image support. To access Cisco Feature Navigator, go to [www.cisco.com/go/cfn](http://www.cisco.com/go/cfn). An account on Cisco.com is not required.

Table 3: Feature Information for Enhanced Object Tracking

Feature Name	Releases	Feature Information
Enhanced Tracking Support	15.0(1)SY	<p>The Enhanced Tracking Support feature separates the tracking mechanism from HSRP and creates a separate standalone tracking process that can be used by other Cisco IOS processes and HSRP. This feature allows tracking of other objects in addition to the interface line-protocol state.</p> <p>The following commands were introduced or modified: <b>show track, standby track, threshold metric, track interface, track ip route, track timer.</b></p>
FHRP—Enhanced Object Tracking Integration with Embedded Event Manager	15.0(1)SY	<p>EOT is integrated with Embedded Event Manager (EEM) to allow EEM to report on a status change of a tracked object and to allow EOT to track EEM objects.</p> <p>The following commands were introduced or modified by this feature: <b>default-state, event resource, event rf, event track, show track, track stub.</b></p>
FHRP—Enhanced Object Tracking of IP SLAs Operations	15.0(1)SY	<p>This feature enables First Hop Redundancy Protocols (FHRPs) and other Enhanced Object Tracking (EOT) clients to track the output from IP SLAs objects and use the provided information to trigger an action.</p> <p>The following command was introduced by this feature: <b>track rtr.</b></p>
FHRP—EOT Deprecation of rtr Keyword	15.0(1)SY	<p>This feature replaces the <b>track rtr</b> command with the <b>track ip sla</b> command.</p>



Feature Name	Releases	Feature Information
FHRP—Object Tracking List	15.0(1)SY	<p>This feature enhances the tracking capabilities to enable the configuration of a combination of tracked objects in a list, and a flexible method of combining objects using Boolean logic.</p> <p>The following commands were introduced or modified by this feature: <b>show track, threshold percentage, threshold weight, track list, track resolution.</b></p>

## Glossary

**DHCP**—Dynamic Host Configuration Protocol. DHCP is a protocol that delivers IP addresses and configuration information to network clients.

**GGSN**—Gateway GPRS Support Node. A wireless gateway that allows mobile cell phone users to access the public data network (PDN) or specified private IP networks. The GGSN function is implemented on the Cisco routers.

**GLBP**—Gateway Load Balancing Protocol. Provides automatic router backup for IP hosts that are configured with a single default gateway on an IEEE 802.3 LAN. Multiple first-hop routers on the LAN combine to offer a single virtual first-hop IP router while sharing the IP packet forwarding load. Other routers on the LAN may act as redundant (GLBP) routers that will become active if any of the existing forwarding routers fail.

**GPRS**—General Packet Radio Service. A 2.5G mobile communications technology that enables mobile wireless service providers to offer their mobile subscribers with packet-based data services over GSM networks.

**GSM network**—Global System for Mobile Communications network. A digital cellular technology that is used worldwide, predominantly in Europe and Asia. GSM is the world's leading standard in digital wireless communications.

**Home Agent**—A Home Agent is a router on the home network of the Mobile Node (MN) that maintains an association between the home IP address of the MN and its care-of address, which is the current location of the MN on a foreign or visited network. The HA redirects packets by tunneling them to the MN while it is away from the home network.

**HSRP**—Hot Standby Router Protocol. Provides high network availability and transparent network topology changes. HSRP creates a Hot Standby router group with a lead router that services all packets sent to the Hot Standby address. The lead router is monitored by other routers in the group, and if it fails, one of these standby routers inherits the lead position and the Hot Standby group address.

**IPCP**—IP Control Protocol. The protocol used to establish and configure IP over PPP.

**LCP**—Link Control Protocol. The protocol used to establish, configure, and test data-link connections for use by PPP.

**PDSN**—Packet Data Serving Node. The Cisco PDSN is a standards-compliant, wireless gateway that enables packet data services in a Code Division Multiplex Access (CDMA) environment. Acting as an access gateway,

the Cisco PDSN provides simple IP and Mobile IP access, foreign-agent support, and packet transport for Virtual Private Networks (VPN).

**PPP**—Point-to-Point Protocol. Provides router-to-router and host-to-network connections over synchronous and asynchronous circuits. PPP is most commonly used for dial-up Internet access. Its features include address notification, authentication via CHAP or PAP, support for multiple protocols, and link monitoring.

**VRF**—VPN routing and forwarding instance. A VRF consists of an IP routing table, a derived forwarding table, a set of interfaces that use the forwarding table, and a set of rules and routing protocols that determine what goes into the forwarding table. In general, a VRF includes the routing information that defines a customer VPN site that is attached to a provider edge router.

**VRRP**—Virtual Router Redundancy Protocol. Eliminates the single point of failure inherent in the static default routed environment. VRRP specifies an election protocol that dynamically assigns responsibility for a virtual router to one of the VRRP routers on a LAN. The VRRP router that controls the IP addresses associated with a virtual router is called the master, and forwards packets sent to these IP addresses. The election process provides dynamic failover in the forwarding responsibility should the master become unavailable. Any of the virtual router IP addresses on a LAN can then be used as the default first-hop router by end hosts.



## CHAPTER 3

# Configuring IP Services

This module describes how to configure optional IP services. For a complete description of the IP services commands in this chapter, refer to the *Cisco IOS IP Application Services Command Reference*. To locate documentation of other commands that appear in this module, use the master command list, or search online.

- [Finding Feature Information, on page 33](#)
- [Information About IP Services, on page 33](#)
- [How to Configure IP Services, on page 38](#)
- [Configuration Examples for IP Services, on page 46](#)
- [Additional References For IP Services, on page 49](#)
- [Feature Information for IP Services, on page 50](#)

## Finding Feature Information

Your software release may not support all the features documented in this module. For the latest caveats and feature information, see [Bug Search Tool](#) and the release notes for your platform and software release. To find information about the features documented in this module, and to see a list of the releases in which each feature is supported, see the feature information table.

Use Cisco Feature Navigator to find information about platform support and Cisco software image support. To access Cisco Feature Navigator, go to [www.cisco.com/go/cfn](http://www.cisco.com/go/cfn). An account on Cisco.com is not required.

## Information About IP Services

### IP Source Routing

The software examines IP header options on every packet. It supports the IP header options Strict Source Route, Loose Source Route, Record Route, and Time Stamp, which are defined in RFC 791. If the software finds a packet with one of these options enabled, it performs the appropriate action. If it finds a packet with an invalid option, it sends an Internet Control Message Protocol (ICMP) parameter problem message to the source of the packet and discards the packet.

IP provides a provision known as source routing that allows the source IP host to specify a route through the IP network. Source routing is specified as an option in the IP header. If source routing is specified, the software forwards the packet according to the specified source route. IP source routing is employed when you want to force a packet to take a certain route through the network. The default is to perform source routing. IP source

routing is rarely used for legitimate purposes in networks. Some older IP implementations do not process source-routed packets properly, and it may be possible to crash devices running these implementations by sending them datagrams with source routing options. Disable IP source routing whenever possible. Disabling IP source routing will cause a Cisco router to never forward an IP packet that carries a source routing option.

## ICMP Overview

Originally created for the TCP/IP suite in RFC 792, the Internet Control Message Protocol (ICMP) was designed to report a small set of error conditions. ICMP can also report a wide variety of error conditions and provide feedback and testing capabilities. Each message uses a common format and is sent and received by using the same protocol rules.

ICMP enables IP to perform addressing, datagram packaging, and routing by allowing encapsulated messages to be sent and received between IP devices. These messages are encapsulated in IP datagrams just like any other IP message. When the message is generated, the original IP header is encapsulated in the ICMP message and these two pieces are encapsulated within a new IP header to be returned as an error report to the sending device.

ICMP messages are sent in several situations: when a datagram cannot reach its destination, when the gateway does not have the buffering capacity to forward a datagram, and when the gateway can direct the host to send traffic on a shorter route. To avoid the infinite regress of messages about messages, no ICMP messages are sent about ICMP messages.

ICMP does not make IP reliable or ensure the delivery of datagrams or the return of a control message. Some datagrams may be dropped without any report of their loss. The higher-level protocols that use IP must implement their own reliability procedures if reliable communication is required.

## ICMP Unreachable Error Messages

Type 3 error messages are sent when a message cannot be delivered completely to the application at a destination host. Six codes contained in the ICMP header describe the unreachable condition as follows:

- 0—Network unreachable
- 1—Host unreachable
- 2—Protocol unreachable
- 3—Port unreachable
- 4—Fragmentation needed and the “don’t fragment” (DF) bit is set
- 5—Source route failed

software can suppress the generation of ICMP unreachable destination error messages, which is called rate-limiting. The default is no unreachable messages more often than once every half second. Separate intervals can be configured for code 4 and all other unreachable destination error messages. However, there is no method of displaying how many ICMP messages have not been sent.

The ICMP Unreachable Destination Counters feature provides a method to count and display the unsent Type 3 messages. This feature also provides console logging with error messages when there are periods of excessive rate limiting that would indicate a Denial of Service (DoS) attack against the router.

If the software receives a nonbroadcast packet destined for itself that uses an unknown protocol, it sends an ICMP protocol unreachable message back to the source. Similarly, if the software receives a packet that it is

unable to deliver to the final destination because it knows of no route to the destination address, it sends an ICMP host unreachable message to the source. This functionality is enabled by default.

Disable ICMP host unreachable messages whenever possible. ICMP supports IP traffic by relaying information about paths, routes, and network conditions. These messages can be used by an attacker to gain network mapping information.

Because the null interface is a packet sink, packets forwarded there will always be discarded and, unless disabled, will generate host unreachable messages. In that case, if the null interface is being used to block a Denial-of-Service attack, these messages flood the local network with these messages. Disabling these messages prevents this situation. In addition, because all blocked packets are forwarded to the null interface, an attacker receiving host unreachable messages could use those messages to determine Access Control List (ACL) configuration. If the “null 0” interface is configured on your router, disable ICMP host unreachable messages for discarded packets or packets routed to the null interface.

## ICMP Mask Reply Messages

Occasionally, network devices must know the subnet mask for a particular subnetwork in the internetwork. To obtain this information, such devices can send ICMP mask request messages. ICMP mask reply messages are sent in reply from devices that have the requested information. The software can respond to ICMP mask request messages if this function is enabled.

These messages can be used by an attacker to gain network mapping information.

## ICMP Redirect Messages

Routes are sometimes less than optimal. For example, it is possible for the router to be forced to resend a packet through the same interface on which it was received. If the router resends a packet through the same interface on which it was received, the software sends an ICMP redirect message to the originator of the packet telling the originator that the router is on a subnet directly connected to the receiving device, and that it must forward the packet to another system on the same subnet. The software sends an ICMP redirect message to the originator of the packet because the originating host presumably could have sent that packet to the next hop without involving this device at all. The redirect message instructs the sender to remove the receiving device from the route and substitute a specified device representing a more direct path. This functionality is enabled by default.

In a properly functioning IP network, a router will send redirects only to hosts on its own local subnets, no end node will ever send a redirect, and no redirect will ever be traversed more than one network hop. However, an attacker may violate these rules; some attacks are based on this. Disabling ICMP redirects will cause no operational impact to the network, and it eliminates this possible method of attack.

## Denial of Service Attack

Denial of service has become a growing concern, especially when considering the associated costs of such an attack. DoS attacks can decrease the performance of networked devices, disconnect the devices from the network, and cause system crashes. When network services are unavailable, enterprises and service providers suffer the loss of productivity and sales.

The objective of a DoS attack is to deprive a user or organization access to services or resources. If a Website is compromised by a DoS attack, millions of users could be denied access to the site. DoS attacks do not typically result in intrusion or the illegal theft of information. Instead of providing access to unauthorized users, DoS attacks can cause much aggravation and cost to the target customer by preventing authorized

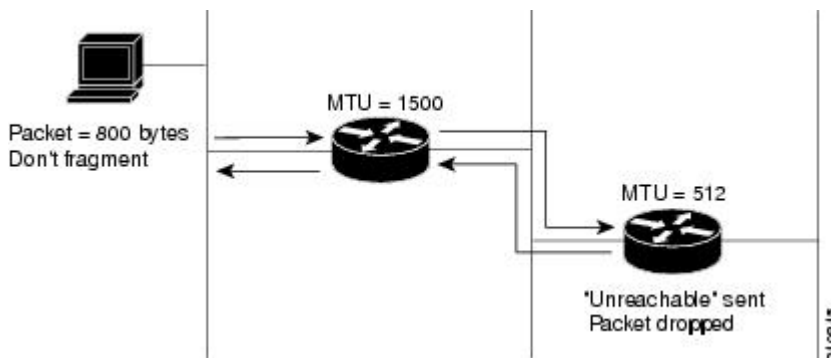
access. Distributed DoS (DDoS) attacks amplify DoS attacks in that a multitude of compromised systems coordinate to flood targets with attack packets, thereby causing denial of service for users of the targeted systems.

A DoS attack occurs when a stream of ICMP echo requests (pings) are broadcast to a destination subnet. The source addresses of these requests are falsified to be the source address of the target. For each request sent by the attacker, many hosts on the subnet will respond flooding the target and wasting bandwidth. The most common DoS attack is called a “smurf” attack, named after an executable program and is in the category of network-level attacks against hosts. DoS attacks can be easily detected when error-message logging of the ICMP Unreachable Destination Counters feature is enabled.

## Path MTU Discovery

The software supports the IP Path MTU Discovery mechanism, as defined in RFC 1191. IP Path MTU Discovery allows a host to dynamically discover and cope with differences in the maximum allowable maximum transmission unit (MTU) size of the various links along the path. Sometimes a router is unable to forward a datagram because it requires fragmentation (the packet is larger than the MTU you set for the interface with the `ip mtu` interface configuration command), but the “don’t fragment” (DF) bit is set. The software sends a message to the sending host, alerting it to the problem. The host will need to fragment packets for the destination so that they fit the smallest packet size of all the links along the path. This technique is shown in the figure below.

**Figure 2: IP Path MTU Discovery**



IP Path MTU Discovery is useful when a link in a network goes down, forcing the use of another, different MTU-sized link (and different routers). As shown in the figure above, suppose a router is sending IP packets over a network where the MTU in the first router is set to 1500 bytes, but the second router is set to 512 bytes. If the “don’t fragment” (DF) bit of the datagram is set, the datagram would be dropped because the 512-byte router is unable to forward it. All packets larger than 512 bytes are dropped in this case. The second router returns an ICMP destination unreachable message to the source of the datagram with its Code field indicating “Fragmentation needed and DF set.” To support IP Path MTU Discovery, it would also include the MTU of the next hop network link in the low-order bits of an unused header field.

IP Path MTU Discovery is also useful when a connection is being established and the sender has no information at all about the intervening links. It is always advisable to use the largest MTU that the links will bear; the larger the MTU, the fewer packets the host must send.



**Note** IP Path MTU Discovery is a process initiated by end hosts. If an end host does not support IP Path MTU Discovery, the receiving device will have no mechanism to avoid fragmenting datagrams generated by the end host.

If a router that is configured with a small MTU on an outbound interface receives packets from a host that is configured with a large MTU (for example, receiving packets from a Token Ring interface and forwarding them to an outbound Ethernet interface), the router fragments received packets that are larger than the MTU of the outbound interface. Fragmenting packets slows the performance of the router. To keep routers in your network from fragmenting received packets, run IP Path MTU Discovery on all hosts and routers in your network, and always configure the largest possible MTU for each router interface type.

## Show and Clear Commands for IOS Sockets

The Show and Clear Commands for IOS Sockets feature introduces the **show udp**, **show sockets**, and **clear sockets** commands. These new commands are useful for monitoring and managing the Cisco IOS Socket library.

In Cisco IOS software, sockets are a per process entity. This means that the maximum number of sockets is per process and all sockets are managed on a per process basis. For example, each Cisco IOS process could have a socket with file descriptor number 1. This is unlike UNIX or other operating systems that have per system file descriptor allocations.

The **show** and **clear** commands operate on a per process basis to be consistent with the current functionality. Thus, any action taken by the commands will be applicable only to a particular process at a time as selected by the process ID entered on the CLI.

Many applications have a need for **show** and **clear** commands, which primarily aid in debugging. The following scenarios provide examples of when these commands might be useful:

- The application H.323 is using sockets for voice calls. According to the current number of calls, there is still space for more sockets. However, no more sockets can be opened. You can now use the **show sockets** command to find out if the socket space is indeed exhausted or if there are unused sockets available.
- An application is waiting for a particular socket event to happen. A UDP segment was seen, but the application never became active. You can use the **show udp** command to display the list of events being monitored to determine if a UDP socket event is being monitored or if the socket library failed to activate the application.
- An application wants to forcibly close all the sockets for a particular process. You can use the **clear sockets** command to close both the sockets and the underlying TCP or UDP connection or Stream Control Transmission Protocol (SCTP) association.

# How to Configure IP Services

## Protecting Your Network from DOS Attacks

ICMP supports IP traffic by relaying information about paths, routes, and network conditions. ICMP messages can be used by an attacker to gain network mapping information. IP source routing allows the source IP host to specify a route through the IP network and is rarely used for legitimate purposes in networks. Some older IP implementations do not process source-routed packets properly, and it may be possible to crash devices running these implementations by sending them datagrams with source routing options.

Whenever possible, ICMP messages and IP source routing should be disabled.

### SUMMARY STEPS

1. **enable**
2. **configure terminal**
3. **no ip source-route**
4. **interface *type/number/slot***
5. **no ip unreachable**
6. **no ip redirects**
7. **no ip mask-reply**

### DETAILED STEPS

	Command or Action	Purpose
<b>Step 1</b>	<b>enable</b> <b>Example:</b> Device> enable	Enables privileged EXEC mode. <ul style="list-style-type: none"> <li>• Enter your password if prompted.</li> </ul>
<b>Step 2</b>	<b>configure terminal</b> <b>Example:</b> Device# configure terminal	Enters global configuration mode.
<b>Step 3</b>	<b>no ip source-route</b> <b>Example:</b> Device(config)# no ip source-route	Disables IP source routing.
<b>Step 4</b>	<b>interface <i>type/number/slot</i></b> <b>Example:</b> Device(config)# interface GigabitEthernet 0/0/0	Specifies the interface to configure and enters interface configuration mode.



	Command or Action	Purpose
<b>Step 5</b>	<b>no ip unreachable</b> <b>Example:</b> <pre>Device(config-if)# no ip unreachable</pre>	Disables the sending of ICMP protocol unreachable and host unreachable messages. This command is enabled by default.  <b>Note</b> Disabling the unreachable messages also disables IP Path MTU Discovery because path discovery works by having the software send unreachable messages.
<b>Step 6</b>	<b>no ip redirects</b> <b>Example:</b> <pre>Device(config-if)# no ip redirects</pre>	Disables the sending of ICMP redirect messages to learn routes. This command is enabled by default.
<b>Step 7</b>	<b>no ip mask-reply</b> <b>Example:</b> <pre>Device(config-if)# no ip mask-reply</pre>	Disables the sending of ICMP mask reply messages.

## Configuring ICMP Unreachable Rate Limiting User Feedback

Perform this task to clear all of the unreachable destination packet statistics and to specify an interval number for unreachable destination messages. This task also configures a packet counter (threshold) and interval to trigger a logging message to a console. This task is beneficial to begin a new log after the thresholds have been set.

### SUMMARY STEPS

1. **enable**
2. **clear ip icmp rate-limit** [*interface-type interface-number*]
3. **configure terminal**
4. **ip icmp rate-limit unreachable** [df] [ms] [log [packets] [interval-ms]]
5. **exit**
6. **show ip icmp rate-limit** [*interface-type interface-number*]

### DETAILED STEPS

	Command or Action	Purpose
<b>Step 1</b>	<b>enable</b> <b>Example:</b> <pre>Router&gt; enable</pre>	Enables privileged EXEC mode.  <ul style="list-style-type: none"> <li>• Enter your password if prompted.</li> </ul>
<b>Step 2</b>	<b>clear ip icmp rate-limit</b> [ <i>interface-type interface-number</i> ] <b>Example:</b>	Clears all current ICMP unreachable statistics for all configured interfaces. The optional <i>interface-type</i> and

	Command or Action	Purpose
	Router# clear ip icmp rate-limit ethernet 2/3	<i>interface-number</i> arguments clear the statistics for only one interface.
<b>Step 3</b>	<b>configure terminal</b> <b>Example:</b> Router# configure terminal	Enters global configuration mode.
<b>Step 4</b>	<b>ip icmp rate-limit unreachable [df] [ms] [log [packets] [interval-ms]]</b> <b>Example:</b> Router(config)# ip icmp rate-limit unreachable df log 1100 12000	<p>Specifies the rate limitation of ICMP unreachable destination messages and the error message log threshold for generating a message. The default is no unreachable messages are sent more often than once every half second.</p> <p>The arguments and keywords are as follows:</p> <ul style="list-style-type: none"> <li>• <b>df</b> --(Optional) When “don’t fragment” (DF) bit is set in the ICMP header, a datagram cannot be fragmented. If the <b>df</b> keyword is not specified, all other types of destination unreachable messages are sent.</li> <li>• <b>ms</b> --(Optional) Interval at which unreachable messages are generated. The valid range is from 1 to 4294967295.</li> <li>• <b>log</b> --(Optional) List of error messages. The arguments are as follows:               <ul style="list-style-type: none"> <li>• <i>packets</i>--(Optional) Number of packets that determine a threshold for generating a log. The default is 1000.</li> <li>• <i>interval-ms</i>--(Optional) Time limit for an interval for which a logging message is triggered. The default is 60000, which is 1 minute.</li> </ul> </li> </ul> <p><b>Note</b> Counting begins as soon as this command is configured.</p>
<b>Step 5</b>	<b>exit</b> <b>Example:</b> Router# exit	Exits to privileged EXEC mode.
<b>Step 6</b>	<b>show ip icmp rate-limit [interface-type interface-number]</b> <b>Example:</b> Router# show ip icmp rate-limit ethernet 2/3	(Optional) Displays all current ICMP unreachable statistics for all configured interfaces. The optional <i>interface-type</i> and <i>interface-number</i> arguments display the statistics for only one interface.

**Example**

The following output using the **show ip icmp rate-limit** command displays the unreachable destinations by interface:

```
Router# show ip icmp rate-limit
Interval (millisecond)  DF bit unreachable  All other unreachable
                       500                      500
Interface              # DF bit unreachable  # All other unreachable
-----
Ethernet0/0            0                      0
Ethernet0/2            0                      0
Serial3/0/3            0                      19
The greatest number of unreachable is on serial interface 3/0/3.
```

## Setting the MTU Packet Size

All interfaces have a default MTU packet size. You can adjust the IP MTU size so that the software will fragment any IP packet that exceeds the MTU set for an interface.

Changing the MTU value (with the **mtu** interface configuration command) can affect the IP MTU value. If the current IP MTU value is the same as the MTU value and you change the MTU value, the IP MTU value will be modified automatically to match the new MTU. However, the reverse is not true; changing the IP MTU value has no effect on the value for the **mtu** interface configuration command.

All devices on a physical medium must have the same protocol MTU in order to operate.

Perform this task to set the MTU packet size for a specified interface.

**SUMMARY STEPS**

1. **enable**
2. **configure terminal**
3. **interface** *type/number/slot*
4. **ip mtu** *bytes*
5. **end**

**DETAILED STEPS**

	Command or Action	Purpose
Step 1	<b>enable</b> <b>Example:</b> Device> enable	Enables privileged EXEC mode. <ul style="list-style-type: none"> <li>• Enter your password if prompted.</li> </ul>
Step 2	<b>configure terminal</b> <b>Example:</b> Device# configure terminal	Enters global configuration mode.

	Command or Action	Purpose
<b>Step 3</b>	<b>interface</b> <i>type/number/slot</i> <b>Example:</b> Device(config)# interface GigabitEthernet 0/0/0	Specifies the interface to configure and enters interface configuration mode.
<b>Step 4</b>	<b>ip mtu</b> <i>bytes</i> <b>Example:</b> Device(config-if)# ip mtu 300	Sets the IP MTU packet size for an interface.
<b>Step 5</b>	<b>end</b> <b>Example:</b> Device(config-if)# end	Returns to privileged EXEC mode.

## Configuring IP Accounting With NetFlow

IP Accounting collects the number of bytes and packets processed by the network element based on the source or destination IP address, or the configured IP precedence. The information collected can be used to identify users for network usage billing, monitoring, and troubleshooting.

Cisco ASR 1000 Series Aggregation Services Routers do not support the IP Accounting feature; however, support Flexible Netflow as the recommended method to collect network information. For more information on Flexible NetFlow configuration see the [Flexible NetFlow Configuration Guide](#).

The following steps are performed in this task:

1. Create a flow record based on the IP address and define the counters to be collected.
2. Create a flow record based on IP precedence and define the counters to be collected.
3. Create a flow monitor, define the monitor parameters, and link it with the IP address-based flow record.
4. Create a flow monitor, define the monitor parameters, and link it with IP precedence-based flow record.
5. Attach the IP address-based flow monitor and IP precedence-based flow monitor to an interface where the traffic is monitored.
6. Monitor the flow cache and statistics.
7. Clean the flow cache and statistics.
8. Export the flow cache to external source in .csv format.

### SUMMARY STEPS

1. **enable**
2. **configure terminal**
3. **flow record** *record-name*
4. **match ipv4 source address**
5. **match ipv4 destination address**

6. **collect counter packets long**
7. **exit**
8. **flow record** *record-name*
9. **match ipv4precedence**
10. **collect counter packets long**
11. **exit**
12. **flow monitor** *flow-monitor-name*
13. **record** *record-name*
14. **cache timeout active** *seconds*
15. **cache entries** *number*
16. **exit**
17. **flow monitor** *flow-monitor-name*
18. **record** *record-name*
19. **cache timeout active** *seconds*
20. **cache entries** *number*
21. **exit**
22. **interface** *type number*
23. **ip flow monitor** *monitor-name* **input**
24. **ip flow monitor** *monitor-name* **input**
25. **exit**
26. **show flow monitor** *monitor-name* **cache**
27. **show flow monitor** *monitor-name* **cache**
28. **clear flow monitor** *monitor-name* **cache**
29. **clear flow monitor** *monitor-name* **statistics**
30. **show flow monitor** *monitor-name* **cache format csv**

## DETAILED STEPS

	Command or Action	Purpose
<b>Step 1</b>	<b>enable</b> <b>Example:</b> Device> enable	Enables privileged EXEC mode. <ul style="list-style-type: none"> <li>• Enter your password if prompted.</li> </ul>
<b>Step 2</b>	<b>configure terminal</b> <b>Example:</b> Device# configure terminal	Enters global configuration mode.
<b>Step 3</b>	<b>flow record</b> <i>record-name</i> <b>Example:</b> Device(config)# flow record ip-acct	Creates or modifies an existing Flexible NetFlow flow record, and enters Flexible NetFlow flow record configuration mode.
<b>Step 4</b>	<b>match ipv4 source address</b> <b>Example:</b> Device(config-flow-record)# match ipv4 source address	Configures the IPv4 source address as a key field for a flow record.

	Command or Action	Purpose
Step 5	<b>match ipv4 destination address</b> <b>Example:</b> <pre>Device(config-flow-record)# match ipv4 destination address</pre>	Configures the IPv4 destination address as a key field for a flow record.
Step 6	<b>collect counter packets long</b> <b>Example:</b> <pre>Device(config-flow-record)# collect counter packets long</pre>	Configures a 64-bit counter that is incremented for each packet seen in the flow.
Step 7	<b>exit</b> <b>Example:</b> <pre>Device(config-flow-record)# exit</pre>	Exits Flexible NetFlow flow record configuration mode and returns to global configuration mode.
Step 8	<b>flow record <i>record-name</i></b> <b>Example:</b> <pre>Device(config)# flow record prec-acct</pre>	Creates or modifies an existing Flexible NetFlow flow record, and enters Flexible NetFlow flow record configuration mode.
Step 9	<b>match ipv4precedence</b> <b>Example:</b> <pre>Device(config-flow-record) match ipv4 precedence</pre>	Configures the IPv4 precedence (part of type of service) as a key field.
Step 10	<b>collect counter packets long</b> <b>Example:</b> <pre>Device(config-flow-record)# collect counter packets long</pre>	Configures a 64-bit counter that is incremented for each packet seen in the flow.
Step 11	<b>exit</b> <b>Example:</b> <pre>Device(config-flow-record)# exit</pre>	Exits Flexible NetFlow flow record configuration mode and returns to global configuration mode.
Step 12	<b>flow monitor <i>flow-monitor-name</i></b> <b>Example:</b> <pre>Device(config)# flow monitor ip-acct</pre>	Creates or modifies an existing Flexible NetFlow flow monitor and enters Flexible NetFlow flow monitor configuration mode.
Step 13	<b>record <i>record-name</i></b> <b>Example:</b> <pre>Device(config-flow-monitor)# record ip-acct</pre>	Configures a user-defined flow record that was previously configured for a Flexible NetFlow flow monitor.
Step 14	<b>cache timeout active <i>seconds</i></b> <b>Example:</b> <pre>Device(config-flow-monitor)# cache timeout active 604800</pre>	<p>Specifies the active flow timeout, in seconds for the flow monitor.</p> <p><b>Note</b> Cisco IOS XE Releases do not support permanent cache, but allow cache timeout up to 7 days by configuring this command.</p>

	Command or Action	Purpose
Step 15	<b>cache entries</b> <i>number</i> <b>Example:</b> Device(config-flow-monitor)# cache entries 200000	Specifies the maximum number of entries in the flow monitor cache.
Step 16	<b>exit</b> <b>Example:</b> Device(config-flow-monitor)# exit	Exits Flexible NetFlow flow monitor configuration mode and returns to global configuration mode.
Step 17	<b>flow monitor</b> <i>flow-monitor-name</i> <b>Example:</b> Device(config)# flow monitor prec-acct	Create or modifies an existing Flexible NetFlow flow monitor, and enters Flexible NetFlow flow monitor configuration mode.
Step 18	<b>record</b> <i>record-name</i> <b>Example:</b> Device(config-flow-monitor)# record prec-acct	Configures a user-defined flow record that was previously configured for a Flexible NetFlow flow monitor.
Step 19	<b>cache timeout active</b> <i>seconds</i> <b>Example:</b> Device(config-flow-monitor)# cache timeout active 604800	Specifies the active flow timeout, in seconds for the flow monitor. <b>Note</b> Cisco IOS XE Releases do not support permanent cache, but allow cache timeout up to 7 days by configuring this command.
Step 20	<b>cache entries</b> <i>number</i> <b>Example:</b> Device(config-flow-monitor)# cache entries 200000	Specifies the maximum number of entries in the flow monitor cache.
Step 21	<b>exit</b> <b>Example:</b> Device(config-flow-monitor)# exit	Exits Flexible NetFlow flow monitor configuration mode and returns to global configuration mode.
Step 22	<b>interface</b> <i>type number</i> <b>Example:</b> Device(config)# interface GigabitEthernet 0/0/4	Configures an interface and enters interface configuration mode.
Step 23	<b>ip flow monitor</b> <i>monitor-name</i> <b>input</b> <b>Example:</b> Device(config-if)# ip flow monitor ip-acct input	Enables a Flexible NetFlow flow monitor for IPv4 traffic that the router is transmitting.
Step 24	<b>ip flow monitor</b> <i>monitor-name</i> <b>input</b> <b>Example:</b> Device(config-if)# ip flow monitor prec-acct input	Enables a Flexible NetFlow flow monitor for IPv4 traffic that the router is transmitting.
Step 25	<b>exit</b> <b>Example:</b>	Exits interface configuration mode and returns to privileged EXEC mode.

	Command or Action	Purpose
	Device(config-if)# exit	
<b>Step 26</b>	<b>show flow monitor <i>monitor-name</i> cache</b> <b>Example:</b> Device# show flow monitor prec-acct cache	Displays the contents of the cache for the flow monitor record that was previously configured.
<b>Step 27</b>	<b>show flow monitor <i>monitor-name</i> cache</b> <b>Example:</b> Device# show flow monitor ip-acct cache	Displays the contents of the cache for the flow monitor record that was previously configured.
<b>Step 28</b>	<b>clear flow monitor <i>monitor-name</i> cache</b> <b>Example:</b> Device# clear flow monitor ip-acct cache	Clears the flow monitor cache information.
<b>Step 29</b>	<b>clear flow monitor <i>monitor-name</i> statistics</b> <b>Example:</b> Device# clear flow monitor ip-acct statistics	Clears the flow monitor statistics.
<b>Step 30</b>	<b>show flow monitor <i>monitor-name</i> cache format csv</b> <b>Example:</b> Device# show flow monitor ip-acct cache format csv   append bootflash:ip-acct	Exports the flow monitor cache contents to an external source in comma separated variables (CSV) format.

## Configuration Examples for IP Services

### Example: Protecting Your Network from DOS Attacks

The following example shows how to change some of the ICMP defaults for Gigabit Ethernet interface 0/0/0 to prevent ICMP from relaying information about paths, routes, and network conditions, which can be used by an attacker to gain network mapping information.

Disabling the unreachable messages will have a secondary effect: it will also disable IP Path MTU Discovery, because path discovery works by having the software send Unreachable messages. If you have a network segment with a small number of devices and an absolutely reliable traffic pattern—which could easily happen on a segment with a small number of rarely used user devices—you would be disabling options that your device would be unlikely to use anyway.

```
Device(config)# no ip source-route
Device(config)# interface GigabitEthernet 0/0/0
Device(config-if)# no ip unreachables
Device(config-if)# no ip redirects
Device(config-if)# no ip mask-reply
```



## Example: Configuring ICMP Unreachable Destination Counters

The following example shows how to clear all of the unreachable destination packet statistics and to specify an interval number for unreachable destination messages. This example also shows how to configure a packet counter threshold and interval to trigger a logging message to a console.

```
Router# clear ip icmp rate-limit ethernet 0/0
Router# configure terminal
Router(config)# ip icmp rate-limit unreachable df log 1100 12000
```

## Example: Setting the MTU Packet Size

The following example shows how to change the default MTU packet size for Gigabit Ethernet interface 0/0/0:

```
Device(config)# interface GigabitEthernet 0/0/0
Device(config-if)# ip mtu 300
```

## Example: Configuring IP Accounting with NetFlow

The following example shows how to use NetFlow for IP Accounting:

```
! Created flow record and flow monitor for IP address accounting
Device# configure terminal
Device(config)# flow record ip-acct
Device(config-flow-record)# match ipv4 source address
Device(config-flow-record)# match ipv4 destination address
Device(config-flow-record)# collect counter packets long
Device(config-flow-record)# exit
Device(config)# flow monitor ip-acct
Device(config-flow-monitor)# record ip-acct
Device(config-flow-monitor)# cache timeout active 604800
Device(config-flow-monitor)# cache entries 200000
Device(config-flow-monitor)# exit

! Created flow record and flow monitor for precedence accounting
Device(config)# flow record prec-acct
Device(config-flow-record)# match ipv4 precedence
Device(config-flow-record)# collect counter packets long
Device(config-flow-record)# exit
Device(config)# flow monitor prec-acct
Device(config-flow-monitor)# record prec-acct
Device(config-flow-monitor)# cache timeout active 604800
Device(config-flow-monitor)# cache entries 200000
Device(config-flow-monitor)# exit

! Apply both ip-acct and prec-acct on an interface
Device(config)# interface GigabitEthernet 0/0/4
Device(config-if)# ip address 192.0.2.1 255.255.255.0
Device(config-if)# ip flow monitor ip-acct input
Device(config-if)# ip flow monitor prec-acct input
Device(config-if)# negotiation auto
Device(config-if)# end
```

# Verifying IP Accounting with NetFlow

## SUMMARY STEPS

1. `show flow monitor monitor-name cache`
2. `show flow monitor monitor-name cache`
3. `clear flow monitor monitor-name {cache | force-export | statistics}`
4. `show flow monitor monitor-name format csv | append bootflash:monitor-name}`

## DETAILED STEPS

### Step 1 `show flow monitor monitor-name cache`

Displays the contents of the cache for the flow monitor.

#### Example:

```
Device# show flow monitor prec-acct cache

Cache type:                Normal (Platform cache)
Cache size:                 200000
Current entries:           3

Flows added:                3
Flows aged:                 0

IP PREC                    pkts long
=====
0                          8117679
1                          8118233
2                          8118761
```

### Step 2 `show flow monitor monitor-name cache`

Displays the contents of the cache for the flow monitor.

#### Example:

```
Device# show flow monitor ip-acct cache

Cache type:                Normal (Platform cache)
Cache size:                 200000
Current entries:           10

Flows added:                10
Flows aged:                 0

IPV4 SRC ADDR              IPV4 DST ADDR              pkts long
=====
192.168.0.1                192.168.2.2                5987314
192.168.0.1                192.168.3.2                5987314
192.168.0.1                192.168.10.2               5987354
192.168.0.1                192.168.1.2                5987363
192.168.0.1                192.168.8.2                5987384
192.168.0.1                192.168.7.2                5987387
192.168.0.1                192.168.6.2                5987420
192.168.0.1                192.168.9.2                5987606
192.168.0.1                192.168.5.2                5987645
```

```
192.168.0.1      192.168.2.2      5987659
```

**Step 3** `clear flow monitor monitor-name {cache | force-export | statistics}`

Clears the flow monitor cache information.

**Example:**

```
Device# clear flow monitor ip-acct cache
```

**Step 4** `show flow monitor monitor-name format csv | append bootflash:monitor-name}`

Displays output of statistics from the flows in a flow monitor cache in comma-separated variables (CSV) format.

**Example:**

```
Device# show flow monitor ip-acct cache format csv | append bootflash:ip-acct
```

## Additional References For IP Services

### Related Documents

Related Topic	Document Title
Cisco IOS commands	<a href="#">Cisco IOS Master Commands List, All Releases</a>
IP application services commands	<a href="#">Cisco IOS IP Application Services Command Reference</a>

### Standards and RFCs

Standard	Title
RFC 1256	<a href="#">ICMP Router Discovery Messages</a>

### Technical Assistance

Description	Link
The Cisco Support and Documentation website provides online resources to download documentation, software, and tools. Use these resources to install and configure the software and to troubleshoot and resolve technical issues with Cisco products and technologies. Access to most tools on the Cisco Support and Documentation website requires a Cisco.com user ID and password.	<a href="http://www.cisco.com/cisco/web/support/index.html">http://www.cisco.com/cisco/web/support/index.html</a>

## Feature Information for IP Services

The following table provides release information about the feature or features described in this module. This table lists only the software release that introduced support for a given feature in a given software release train. Unless noted otherwise, subsequent releases of that software release train also support that feature.

Use Cisco Feature Navigator to find information about platform support and Cisco software image support. To access Cisco Feature Navigator, go to [www.cisco.com/go/cfn](http://www.cisco.com/go/cfn). An account on Cisco.com is not required.



## CHAPTER 4

# Object Tracking: IPv6 Route Tracking

The Object Tracking: IPv6 Route Tracking feature expands the Enhanced Object Tracking (EOT) functionality to allow the tracking of IPv6 routes.

- [Finding Feature Information, on page 51](#)
- [Restrictions for Object Tracking: IPv6 Route Tracking, on page 51](#)
- [Information About Object Tracking: IPv6 Route Tracking, on page 52](#)
- [How to Configure Object Tracking: IPv6 Route Tracking, on page 52](#)
- [Configuration Examples for Object Tracking: IPv6 Route Tracking, on page 56](#)
- [Additional References for Object Tracking: IPv6 Route Tracking, on page 57](#)
- [Feature Information for Object Tracking: IPv6 Route Tracking, on page 58](#)

## Finding Feature Information

Your software release may not support all the features documented in this module. For the latest caveats and feature information, see [Bug Search Tool](#) and the release notes for your platform and software release. To find information about the features documented in this module, and to see a list of the releases in which each feature is supported, see the feature information table.

Use Cisco Feature Navigator to find information about platform support and Cisco software image support. To access Cisco Feature Navigator, go to [www.cisco.com/go/cfn](http://www.cisco.com/go/cfn). An account on Cisco.com is not required.

## Restrictions for Object Tracking: IPv6 Route Tracking

Object Tracking: IPv6 Route Tracking is not Stateful Switchover (SSO)-aware and cannot be used with Hot Standby Router Protocol (HSRP), Virtual Router Redundancy Protocol (VRRP), or Gateway Load Balancing Protocol (GLBP) in SSO mode.

# Information About Object Tracking: IPv6 Route Tracking

## Enhanced Object Tracking and IPv6 Route Tracking

Enhanced Object Tracking (EOT) provides complete separation between the objects to be tracked and the action to be taken by a client when a tracked object changes. Thus, several clients such as Hot Standby Router Protocol (HSRP), Virtual Router Redundancy Protocol (VRRP), or Gateway Load Balancing Protocol (GLBP) can register interest with a tracking process, track the same object, and each take different a action when the object changes.

Each tracked object is identified by a unique number that is specified on the tracking CLI. Client processes use this number to track a specific object.

A tracking process periodically polls tracked objects and notes any change in value. The changes in the tracked object are communicated to interested client processes, either immediately or after a specified delay. The object values are reported as either up or down.

The Object Tracking: IPv6 Route Tracking feature expands EOT functionality to allow the tracking of IPv6 routes.

## How to Configure Object Tracking: IPv6 Route Tracking

### Tracking the IPv6-Routing State of an Interface

#### SUMMARY STEPS

1. **track timer interface** *{seconds | msec milliseconds}*
2. **track object-number interface type number ipv6 routing**
3. **carrier-delay**
4. **delay** *{up seconds [down seconds] | [up seconds] down seconds}*
5. **end**
6. **show track object-number**

#### DETAILED STEPS

	Command or Action	Purpose
<b>Step 1</b>	<b>track timer interface</b> <i>{seconds   msec milliseconds}</i> <b>Example:</b> <pre>Device(config)# track timer interface 5</pre>	(Optional) Specifies the interval that a tracking process polls the tracked interface. <ul style="list-style-type: none"> <li>• The default interval that the tracking process polls interface objects is 1 second.</li> </ul> <b>Note</b> All polling frequencies can be configured down to 500 milliseconds, overriding the minimum 1-second interval configured using the <b>msec</b> keyword and <i>milliseconds</i> argument.

	Command or Action	Purpose
Step 2	<p><b>track</b> <i>object-number</i> <b>interface</b> <i>type number</i> <b>ipv6 routing</b></p> <p><b>Example:</b></p> <pre>Device(config)# track 1 interface GigabitEthernet 0/0/1 ipv6 routing</pre>	<p>Tracks the IPv6-routing state of an interface and enters tracking configuration mode.</p> <ul style="list-style-type: none"> <li>IPv6-route tracking tracks an IPv6 route in the routing table and the ability of an interface to route IPv6 packets.</li> </ul>
Step 3	<p><b>carrier-delay</b></p> <p><b>Example:</b></p> <pre>Device(config-track)# carrier-delay</pre>	<p>(Optional) Enables enhanced object tracking to consider the carrier-delay timer when tracking the status of an interface.</p>
Step 4	<p><b>delay</b> {<b>up</b> <i>seconds</i> [<b>down</b> <i>seconds</i>]   [<b>up</b> <i>seconds</i>] <b>down</b> <i>seconds</i>}</p> <p><b>Example:</b></p> <pre>Device(config-track)# delay up 30</pre>	<p>(Optional) Specifies a period of time (in seconds) to delay communicating state changes of a tracked object.</p> <p><b>Note</b> The <b>up</b> keyword specifies the time to delay the notification of an up event. The <b>down</b> keyword specifies the time to delay the notification of a down event.</p>
Step 5	<p><b>end</b></p> <p><b>Example:</b></p> <pre>Device(config-track)# end</pre>	<p>Returns to privileged EXEC mode.</p>
Step 6	<p><b>show track</b> <i>object-number</i></p> <p><b>Example:</b></p> <pre>Device# show track 1</pre>	<p>Displays tracking information.</p> <ul style="list-style-type: none"> <li>Use this command to verify the configuration.</li> </ul>

## Tracking the Threshold of IPv6-Route Metrics

### SUMMARY STEPS

- track timer ipv6 route** {*seconds* | **msec** *milliseconds*}
- track resolution ipv6 route** {**bgp** | **eigrp** | **isis** | **ospf** | **static** } *resolution-value*
- track** *object-number* **ipv6 route** *ipv6-address/prefix-length* **metric threshold**
- delay** {**up** *seconds* [**down** *seconds*] | [**up** *seconds*] **down** *seconds*}
- ipv6 vrf** *vrf-name*
- threshold metric** {**up** *number* [**down** *number*] | **down** *number* [**up** *number*] }
- end**
- show track** *object-number*

## DETAILED STEPS

	Command or Action	Purpose
<b>Step 1</b>	<p><b>track timer ipv6 route</b> {seconds   msec milliseconds}</p> <p><b>Example:</b></p> <pre>Device(config)# track timer ipv6 route 20</pre>	<p>(Optional) Specifies the interval that a tracking process polls the tracked object.</p> <ul style="list-style-type: none"> <li>The default interval that the tracking process polls IPv6-route objects is 15 seconds.</li> </ul> <p><b>Note</b> All polling frequencies can be configured down to 500 milliseconds, overriding the minimum 1-second interval configured using the <b>msec</b> keyword and <i>milliseconds</i> argument.</p>
<b>Step 2</b>	<p><b>track resolution ipv6 route</b> {bgp   eigrp   isis   ospf   static} resolution-value</p> <p><b>Example:</b></p> <pre>Device(config)# track resolution ipv6 route eigrp 300</pre>	<p>(Optional) Specifies resolution parameters for a tracked object.</p> <ul style="list-style-type: none"> <li>Use this command to change the default metric resolution values.</li> </ul>
<b>Step 3</b>	<p><b>track object-number ipv6 route ipv6-address/prefix-length metric threshold</b></p> <p><b>Example:</b></p> <pre>Device(config)# track 6 ipv6 route 2001:DB8:0:ABCD::1/10 metric threshold</pre>	<p>Tracks the scaled metric value of an IPv6 route to determine if it is above or below a threshold and enters tracking configuration mode.</p> <ul style="list-style-type: none"> <li>The default down value is 255, which equates to an inaccessible route.</li> <li>The default up value is 254.</li> </ul>
<b>Step 4</b>	<p><b>delay</b> {up seconds [down seconds]   [up seconds] down seconds}</p> <p><b>Example:</b></p> <pre>Device(config-track)# delay up 30</pre>	<p>(Optional) Specifies a period of time (in seconds) to delay communicating state changes of a tracked object.</p> <p><b>Note</b> The <b>up</b> keyword specifies the time to delay the notification of an up event. The <b>down</b> keyword specifies the time to delay the notification of a down event.</p>
<b>Step 5</b>	<p><b>ipv6 vrf vrf-name</b></p> <p><b>Example:</b></p> <pre>Device(config-track)# ipv6 vrf VRF1</pre>	<p>(Optional) Tracks an IPv6 route in a specific VPN virtual routing and forwarding (VRF) table.</p>
<b>Step 6</b>	<p><b>threshold metric</b> {up number [down number]   down number [up number]}</p> <p><b>Example:</b></p>	<p>(Optional) Sets a metric threshold other than the default value.</p>



	Command or Action	Purpose
	<pre>Device(config-track)# threshold metric up 254 down 255</pre>	<p><b>Note</b> The <b>up</b> keyword specifies the up threshold. The state is up if the scaled metric for that route is less than or equal to the up threshold. The default up threshold is 254. The <b>down</b> keyword specifies the down threshold. The state is down if the scaled metric for that route is greater than or equal to the down threshold. The default down threshold is 255.</p>
<b>Step 7</b>	<p><b>end</b></p> <p><b>Example:</b></p> <pre>Device(config-track)# end</pre>	Returns to privileged EXEC mode.
<b>Step 8</b>	<p><b>show track object-number</b></p> <p><b>Example:</b></p> <pre>Device# show track 6</pre>	<p>(Optional) Displays tracking information.</p> <ul style="list-style-type: none"> <li>• Use this command to verify the configuration.</li> </ul>

## Tracking IPv6-Route Reachability

Perform this task to track the reachability of an IPv6 route. A tracked object is considered up when a routing table entry exists for the route and the route is accessible.

### SUMMARY STEPS

1. **track timer ipv6 route** {seconds | msec milliseconds}
2. **track object-number ip route ip-address/prefix-length reachability**
3. **delay** {up seconds [down seconds] | [up seconds] down seconds}
4. **ipv6 vrf vrf-name**
5. **end**
6. **show track object-number**

### DETAILED STEPS

	Command or Action	Purpose
<b>Step 1</b>	<p><b>track timer ipv6 route</b> {seconds   msec milliseconds}</p> <p><b>Example:</b></p> <pre>Device(config)# track timer ipv6 route 20</pre>	<p>(Optional) Specifies the interval that a tracking process polls the tracked object.</p> <ul style="list-style-type: none"> <li>• The default interval that the tracking process polls IPv6-route objects is 15 seconds.</li> </ul> <p><b>Note</b> All polling frequencies can be configured down to 500 milliseconds, overriding the minimum 1-second interval configured using the <b>msec</b> keyword and <i>milliseconds</i> argument.</p>

	Command or Action	Purpose
<b>Step 2</b>	<b>track</b> <i>object-number</i> <b>ip route</b> <i>ip-address/prefix-length</i> <b>reachability</b> <b>Example:</b> <pre>Device(config)# track 4 ipv6 route 2001:DB8:0:AB82::1/10 reachability</pre>	Tracks the reachability of an IPv6 route and enters tracking configuration mode.
<b>Step 3</b>	<b>delay</b> { <b>up</b> <i>seconds</i> [ <b>down</b> <i>seconds</i> ]   [ <b>up</b> <i>seconds</i> ] <b>down</b> <i>seconds</i> } <b>Example:</b> <pre>Device(config-track)# delay up 30</pre>	(Optional) Specifies a period of time (in seconds) to delay communicating state changes of a tracked object.  <b>Note</b> The <b>up</b> keyword specifies the time to delay the notification of an up event. The <b>down</b> keyword specifies the time to delay the notification of a down event.
<b>Step 4</b>	<b>ipv6 vrf</b> <i>vrf-name</i> <b>Example:</b> <pre>Device(config-track)# ipv6 vrf VRF2</pre>	(Optional) Configures a VPN virtual routing and forwarding (VRF) table.
<b>Step 5</b>	<b>end</b> <b>Example:</b> <pre>Device(config-track)# end</pre>	Returns to privileged EXEC mode.
<b>Step 6</b>	<b>show track</b> <i>object-number</i> <b>Example:</b> <pre>Device# show track 4</pre>	(Optional) Displays tracking information. <ul style="list-style-type: none"> <li>• Use this command to verify the configuration.</li> </ul>

## Configuration Examples for Object Tracking: IPv6 Route Tracking

### Example: Tracking the IPv6-Routing State of an Interface

The following example shows how to configure tracking for IPv6 routing on the GigabitEthernet 0/0/1 interface:

```
Device(config)# track timer interface 5
Device(config)# track 1 interface GigabitEthernet 0/0/1 ipv6 routing
Device(config-track)# carrier-delay
Device(config-track)# delay up 30
Device(config-track)# end
```

## Example: Tracking the Threshold of IPv6-Route Metrics

The following example shows how to configure tracking for IPv6 metric thresholds:

```
Device(config)# track timer ipv6 route 20
Device(config)# track resolution ipv6 route eigrp 300
Device(config)# track 6 ipv6 route 2001:DB8:0:ABCD::1/10 metric threshold
Device(config-track)# delay up 30
Device(config-track)# ipv6 vrf VRF1
Device(config-track)# threshold metric up 254 down 255
Device(config-track)# end
```

## Example: Tracking IPv6-Route Reachability

The following example shows how to configure tracking for IPv6-route reachability:

```
Device(config)# track timer ipv6 route 20
Device(config)# track 4 ipv6 route 2001:DB8:0:AB82::1/10 reachability
Device(config-track)# delay up 30
Device(config-track)# ipv6 vrf VRF2
Device(config-track)# end
```

# Additional References for Object Tracking: IPv6 Route Tracking

### Related Documents

Related Topic	Document Title
Cisco IOS commands	<a href="#">Cisco IOS Master Command List, All Releases</a>
Object tracking	<i>Configuring Enhanced Object Tracking</i>
IP Application Services commands	<i>Cisco IOS IP Application Services Command Reference</i>

### Technical Assistance

Description	Link
<p>The Cisco Support website provides extensive online resources, including documentation and tools for troubleshooting and resolving technical issues with Cisco products and technologies.</p> <p>To receive security and technical information about your products, you can subscribe to various services, such as the Product Alert Tool (accessed from Field Notices), the Cisco Technical Services Newsletter, and Really Simple Syndication (RSS) Feeds.</p> <p>Access to most tools on the Cisco Support website requires a Cisco.com user ID and password.</p>	<a href="http://www.cisco.com/support">http://www.cisco.com/support</a>

## Feature Information for Object Tracking: IPv6 Route Tracking

The following table provides release information about the feature or features described in this module. This table lists only the software release that introduced support for a given feature in a given software release train. Unless noted otherwise, subsequent releases of that software release train also support that feature.

Use Cisco Feature Navigator to find information about platform support and Cisco software image support. To access Cisco Feature Navigator, go to [www.cisco.com/go/cfn](http://www.cisco.com/go/cfn). An account on Cisco.com is not required.

**Table 4: Feature Information for Object Tracking: IPv6 Route Tracking**

Feature Name	Releases	Feature Information
Object Tracking: IPv6 Route Tracking		This feature expands Enhanced Object Tracking (EOT) functionality to allow the tracking of IPv6 routes.



## CHAPTER 5

# IPv6 Static Route Support for Object Tracking

The IPv6 Static Route Support for Object Tracking feature allows an IPv6 static route to be associated with a tracked-object. A static route is only inserted into the routing information base (RIB) when the tracked object is reachable.

This module provides an overview of the feature and explains how to configure it.

- [Finding Feature Information, on page 59](#)
- [Information About IPv6 Static Route Support for Object Tracking, on page 59](#)
- [How to Configure IPv6 Static Route Support for Object Tracking, on page 60](#)
- [Configuration Examples for IPv6 Static Route Support for Object Tracking, on page 62](#)
- [Additional References for IPv6 Static Route Support for Object Tracking, on page 62](#)
- [Feature Information for IPv6 Static Route Support for Object Tracking , on page 63](#)

## Finding Feature Information

Your software release may not support all the features documented in this module. For the latest caveats and feature information, see [Bug Search Tool](#) and the release notes for your platform and software release. To find information about the features documented in this module, and to see a list of the releases in which each feature is supported, see the feature information table.

Use Cisco Feature Navigator to find information about platform support and Cisco software image support. To access Cisco Feature Navigator, go to [www.cisco.com/go/cfn](http://www.cisco.com/go/cfn). An account on Cisco.com is not required.

## Information About IPv6 Static Route Support for Object Tracking

### IPv6 Static Route Support for Object Tracking Overview

Object tracking allows you to track specific objects on a device, such as the interface line protocol state, IP routing, and route reachability, and to take action when the tracked object's state changes. Tracking allows software clients to register interest in the behavior of an object, and receive notifications of changes. This object represents the state of the system functionality such as the status of an interface (up or down), the existence of an IP prefix in the Routing Information Base (RIB) and so on.

An IPv6 static route creates a tracked object-context for each tracked object. Tracked object contexts are stored in an AVL list that is maintained by the IPv6 static route and indexed by the object number. A

tracked-object context is removed from the AVL list when the object is no longer associated with any IPv6 static routes. All IPv6 static routes associated with a tracked object is linked to the tracked object context by an indirect list. An IPv6 static route becomes a client of the tracked objects, and this allows the IPv6 static route to track the state of a tracked object. The **ipv6 route** command allows an IPv6 static route to be associated with a tracked object.

## Routing Table Insertion

An IPv6 static route associated with a tracked-object is inserted into the IPv6 routing table if the state of the tracked-object is up and all other routing-table-insertion criteria are met.

The IPv6 Static Route Object Tracking feature uses the IPv6 static deferred state check mechanism to insert or delete a static route into or from the Routing Information Base (RIB). A change in the state of the tracked object is signaled from tracked objects and this causes IPv6 static to insert all IPv6 static routes associated with the tracked object into the state check queue (unless they are already in it). A separate process removes IPv6 static routes from the state check queue and determines whether these routes should be inserted into the RIB or removed from the RIB using the RIB insertion criteria.

## Routing Table Insertion Criteria

The following insertion criteria must be met for an IPv6 static route to be inserted into the IPv6 routing table:

1. Interface is up.
2. Next-hop address is not the device's own address.
3. Next-hop address .
4. Next-hop address is resolved.
5. Bidirectional Forwarding Detection (BFD) session is up, if BFD tracking is configured.



### Note

An IPv6 static route can be associated with a tracked object and a BFD session. Both tracked object and BFD session state must be up before the IPv6 static route is inserted in the routing table.

6. Tracked object state is up.

An IPv6 static route in the routing table is removed if any of the insertion criteria becomes false.

# How to Configure IPv6 Static Route Support for Object Tracking

## Configuring the IPv6 Static Routing Support for Object Tracking

### SUMMARY STEPS

1. **enable**
2. **configure terminal**
3. **ipv6 route vrf table-name-id ipv6-prefix {interface-type interface-number [next-hop-ipv6-address] | next-hop-ipv6-address} [admin-distance [multicast-vrf-distance]] [multicast] [nexthop-vrf table-name-id] [unicast] [tag tag-value ] [track object-number ] namestatic-route }**

4. **end**
5. **show track *object-number***
6. **show ipv6 static vrf *id***

## DETAILED STEPS

	Command or Action	Purpose
Step 1	<b>enable</b> <b>Example:</b> <pre>Device&gt; enable</pre>	Enables privileged EXEC mode. <ul style="list-style-type: none"> <li>• Enter your password if prompted.</li> </ul>
Step 2	<b>configure terminal</b> <b>Example:</b> <pre>Device# configure terminal</pre>	Enters global configuration mode.
Step 3	<b>ipv6 route vrf <i>table-name-id</i> <i>ipv6-prefix</i> {<i>interface-type</i> <i>interface-number</i> [<i>next-hop-ipv6-address</i>]   <i>next-hop-ipv6-address</i>} [<i>admin-distance</i> [<i>multicast-vrf-distance</i>]] [<b>multicast</b>] [<b>nexthop-vrf</b> <i>table-name-id</i>] [<b>unicast</b>] [<b>tag</b> <i>tag-value</i>] [<b>track</b> <i>object-number</i>] [<b>namestatic-route</b> ]}</b> <b>Example:</b> <pre>Device(config)# ipv6 route vrf 3 2001:DB8:1:2::/64 GigabitEthernet0/0 2001:DB8:3:4::1 track 42</pre>	Establishes static IPv6 routes for all VPN routing and forwarding (VRF) instance tables or a specific VRF table for IPv4 or IPv6 address. <ul style="list-style-type: none"> <li>• Configure the IPv6 static route object tracking to the static route configuration by using the <b>track <i>object-number</i></b> command.</li> </ul>
Step 4	<b>end</b> <b>Example:</b> <pre>Device(config)# end</pre>	Exits global configuration mode and returns to privileged EXEC mode.
Step 5	<b>show track <i>object-number</i></b> <b>Example:</b> <pre>Device# show track 42</pre>	Displays information about objects that are tracked by the tracking process.
Step 6	<b>show ipv6 static vrf <i>id</i></b> <b>Example:</b> <pre>Device(config)# show ipv6 static vrf 3</pre>	Displays static routes that are added to the routing-table, and the reasons if a static route is not added.

### Example

The following is sample output from the **show track** command:

```
Device# show track 42
```

```

Track 42
  IP route 10.21.12.0 255.255.255.0 reachability
  Reachability is Down (no ip route), delayed Up (1 sec remaining) (connected)
    1 change, last change 00:00:24
  Delay up 20 secs, down 10 secs
  First-hop interface is unknown (was GigabitEthernet1/0)
  Tracked by:
    HSRP GigabitEthernet0/0 3

```

## Configuration Examples for IPv6 Static Route Support for Object Tracking

### Example: IPv6 Static Route Object Tracking

The following example associates the static route 2001:DB8:1:2::/64 with the state of tracked-object number 42. The static route is inserted in the IPv6 routing table if the state of tracked-object number 42 is up.

```

Device> enable
Device# configure terminal
Device(config)# ipv6 route vrf 3 2001:DB8:1:2::/64 GigabitEthernet0/0 2001:DB8:3:4::1 track
42
Device(config)# end

```

## Additional References for IPv6 Static Route Support for Object Tracking

### Related Documents

Related Topic	Document Title
Cisco IOS commands	<a href="#">Cisco IOS Master Command List, All Releases</a>
IP Application Services commands	<a href="#">Cisco IOS IP Application Services Command Reference</a>
Object tracking	<a href="#">Configuring Enhanced Object Tracking</a>



**Technical Assistance**

Description	Link
<p>The Cisco Support website provides extensive online resources, including documentation and tools for troubleshooting and resolving technical issues with Cisco products and technologies.</p> <p>To receive security and technical information about your products, you can subscribe to various services, such as the Product Alert Tool (accessed from Field Notices), the Cisco Technical Services Newsletter, and Really Simple Syndication (RSS) Feeds.</p> <p>Access to most tools on the Cisco Support website requires a Cisco.com user ID and password.</p>	<p><a href="http://www.cisco.com/support">http://www.cisco.com/support</a></p>

## Feature Information for IPv6 Static Route Support for Object Tracking

The following table provides release information about the feature or features described in this module. This table lists only the software release that introduced support for a given feature in a given software release train. Unless noted otherwise, subsequent releases of that software release train also support that feature.

Use Cisco Feature Navigator to find information about platform support and Cisco software image support. To access Cisco Feature Navigator, go to [www.cisco.com/go/cfn](http://www.cisco.com/go/cfn). An account on Cisco.com is not required.

**Table 5: Feature Information for IPv6 Static Route Support for Object Tracking**

Feature Name	Releases	Feature Information
IPv6 Static Route Support for Object Tracking		This feature expands Enhanced Object Tracking (EOT) functionality to allow the object tracking for IPv6 static routes.





## CHAPTER 6

# Configuring TCP

TCP is a protocol that specifies the format of data and acknowledgments used in data transfer. TCP is a connection-oriented protocol because participants must establish a connection before data can be transferred. By performing flow control and error correction, TCP guarantees reliable, in-sequence delivery of packets. TCP is considered a reliable protocol because it will continue to request an IP packet that is dropped or received out of order until it is received. This module explains concepts related to TCP and how to configure TCP in a network.

- [Finding Feature Information, on page 65](#)
- [Prerequisites for TCP, on page 65](#)
- [Information About TCP, on page 66](#)
- [How to Configure TCP, on page 70](#)
- [Configuration Examples for TCP, on page 78](#)
- [Additional References, on page 82](#)
- [Feature Information for TCP, on page 83](#)

## Finding Feature Information

Your software release may not support all the features documented in this module. For the latest caveats and feature information, see [Bug Search Tool](#) and the release notes for your platform and software release. To find information about the features documented in this module, and to see a list of the releases in which each feature is supported, see the feature information table.

Use Cisco Feature Navigator to find information about platform support and Cisco software image support. To access Cisco Feature Navigator, go to [www.cisco.com/go/cfn](http://www.cisco.com/go/cfn). An account on Cisco.com is not required.

## Prerequisites for TCP

### TCP Time Stamp, TCP Selective Acknowledgment, and TCP Header Compression

Because TCP time stamps are always sent and echoed in both directions and the time-stamp value in the header is always changing, TCP header compression will not compress the outgoing packet. To allow TCP header compression over a serial link, the TCP time-stamp option is disabled. If you want to use TCP header compression over a serial line, TCP time stamp and TCP selective acknowledgment must be disabled. Both features are disabled by default. Use the **no ip tcp selective-ack** command to disable the TCP selective acknowledgment once it is enabled.

# Information About TCP

## TCP Services

TCP provides reliable transmission of data in an IP environment. TCP corresponds to the transport layer (Layer 4) of the Open Systems Interconnection (OSI) reference model. Among the services that TCP provides are stream data transfer, reliability, efficient flow control, full-duplex operation, and multiplexing.

With stream data transfer, TCP delivers an unstructured stream of bytes that are identified by sequence numbers. This service benefits applications because they do not have to divide data into blocks before handing it off to TCP. Instead, TCP groups bytes into segments and passes them to IP for delivery.

TCP offers reliability by providing connection-oriented, end-to-end reliable packet delivery through an internetwork. It does this by sequencing bytes with a forwarding acknowledgment number that indicates to the destination the next byte that the source expects to receive. Bytes that are not acknowledged within a specified time period are retransmitted. The reliability mechanism of TCP allows devices to handle lost, delayed, duplicate, or misread packets. A timeout mechanism allows devices to detect lost packets and request retransmission.

TCP offers efficient flow control, which means that the receiving TCP process indicates the highest sequence number that it can receive without overflowing its internal buffers when sending acknowledgments back to the source.

TCP offers full-duplex operation, and TCP processes can both send and receive data at the same time.

TCP multiplexing allows numerous simultaneous upper-layer conversations to be multiplexed over a single connection.

## TCP Connection Establishment

To use reliable transport services, TCP hosts must establish a connection-oriented session with one another. Connection establishment is performed by using a “three-way handshake” mechanism.

A three-way handshake synchronizes both ends of a connection by allowing both sides to agree upon the initial sequence numbers. This mechanism guarantees that both sides are ready to transmit data. The three-way handshake is necessary so that packets are not transmitted or retransmitted during session establishment or after session termination.

Each host randomly chooses a sequence number, which is used to track bytes within the stream that the host is sending. The three-way handshake proceeds in the following manner:

- The first host (Host A) initiates a connection by sending a packet with the initial sequence number (X) and the synchronize/start (SYN) bit set to indicate a connection request.
- The second host (Host B) receives the SYN, records the sequence number X, and replies by acknowledging (ACK) the SYN (with an ACK = X + 1). Host B includes its own initial sequence number (SEQ = Y). An ACK = 20 means that the host has received bytes 0 through 19 and expects byte 20 next. This technique is called forward acknowledgment.
- Host A acknowledges all bytes that Host B has sent with a forward acknowledgment indicating the next byte Host A expects to receive (ACK = Y + 1). Data transfer can then begin.

## TCP Connection Attempt Time

You can set the amount of time the software will wait before attempting to establish a TCP connection. The connection attempt time is a host parameter and pertains to traffic that originated at the device and not to traffic going through the device. To set the TCP connection attempt time, use the **ip tcp synwait-time** command in global configuration mode. The default is 30 seconds.

## TCP Selective Acknowledgment

The TCP Selective Acknowledgment feature improves performance if multiple packets are lost from one TCP window of data.

Prior to this feature, because of limited information available from cumulative acknowledgments, a TCP sender could learn about only one lost packet per-round-trip time. An aggressive sender could choose to resend packets early, but such re-sent segments might have already been successfully received.

The TCP selective acknowledgment mechanism helps improve performance. The receiving TCP host returns selective acknowledgment packets to the sender, informing the sender of data that has been received. In other words, the receiver can acknowledge packets received out of order. The sender can then resend only missing data segments (instead of everything since the first missing packet).

Prior to selective acknowledgment, if TCP lost packets 4 and 7 out of an 8-packet window, TCP would receive acknowledgment of only packets 1, 2, and 3. Packets 4 through 8 would need to be re-sent. With selective acknowledgment, TCP receives acknowledgment of packets 1, 2, 3, 5, 6, and 8. Only packets 4 and 7 must be re-sent.

TCP selective acknowledgment is used only when multiple packets are dropped within one TCP window. There is no performance impact when the feature is enabled but not used. Use the **ip tcp selective-ack** command in global configuration mode to enable TCP selective acknowledgment.

Refer to RFC 2018 for more details about TCP selective acknowledgment.

## TCP Time Stamp

The TCP time-stamp option provides improved TCP round-trip time measurements. Because the time stamps are always sent and echoed in both directions and the time-stamp value in the header is always changing, TCP header compression will not compress the outgoing packet. To allow TCP header compression over a serial link, the TCP time-stamp option is disabled. Use the **ip tcp timestamp** command to enable the TCP time-stamp option.

Refer to RFC 1323 for more details on TCP time stamps.

## TCP Maximum Read Size

The maximum number of characters that TCP reads from the input queue for Telnet and relogin at one time is very large (the largest possible 32-bit positive number) by default. To change the TCP maximum read size value, use the **ip tcp chunk-size** command in global configuration mode.



---

**Note** We do not recommend that you change this value.

---

## TCP Path MTU Discovery

Path MTU Discovery is a method for maximizing the use of the available bandwidth in the network between endpoints of a TCP connection, which is described in RFC 1191. IP Path MTU Discovery allows a host to dynamically discover and cope with differences in the maximum allowable maximum transmission unit (MTU) size of the various links along the path. Sometimes a device is unable to forward a datagram because it requires fragmentation (the packet is larger than the MTU that you set for the interface with the **interface** configuration command), but the “do not fragment” (DF) bit is set. The intermediate gateway sends a “Fragmentation needed and DF bit set” Internet Control Message Protocol (ICMP) message to the sending host, alerting the host to the problem. On receiving this message, the host reduces its assumed path MTU and consequently sends a smaller packet that will fit the smallest packet size of all links along the path.

By default, TCP Path MTU Discovery is disabled. Existing connections are not affected irrespective of whether this feature is enabled or disabled.

Customers using TCP connections to move bulk data between systems on distinct subnets would benefit most by enabling this feature. Customers using remote source-route bridging (RSRB) with TCP encapsulation, serial tunnel (STUN), X.25 Remote Switching (also known as XOT or X.25 over TCP), and some protocol translation configurations might also benefit from enabling this feature.

Use the **ip tcp path-mtu-discovery** global configuration command to enable Path MTU Discovery for connections initiated by the device when the device is acting as a host.

For more information about Path MTU Discovery, refer to the “Configuring IP Services” module of the *IP Application Services Configuration Guide*.

## TCP Window Scaling

The TCP Window Scaling feature adds support for the Window Scaling option in RFC 1323, *TCP Extensions for High Performance*. A larger window size is recommended to improve TCP performance in network paths with large bandwidth-delay product characteristics that are called Long Fat Networks (LFNs). The TCP Window Scaling enhancement provides LFN support.

The window scaling extension expands the definition of the TCP window to 32 bits and then uses a scale factor to carry this 32-bit value in the 16-bit window field of the TCP header. The window size can increase to a scale factor of 14. Typical applications use a scale factor of 3 when deployed in LFNs.

The TCP Window Scaling feature complies with RFC 1323. The maximum window size was increased to 1,073,741,823 bytes. The larger scalable window size will allow TCP to perform better over LFNs. Use the **ip tcp window-size** command in global configuration mode to configure the TCP window size.

## TCP Sliding Window

A TCP sliding window provides an efficient use of network bandwidth because it enables hosts to send multiple bytes or packets before waiting for an acknowledgment.

In TCP, the receiver specifies the current window size in every packet. Because TCP provides a byte-stream connection, window sizes are expressed in bytes. A window is the number of data bytes that the sender is allowed to send before waiting for an acknowledgment. Initial window sizes are indicated at connection setup, but might vary throughout the data transfer to provide flow control. A window size of zero means “Send no data.” The default TCP window size is 4128 bytes. We recommend that you keep the default value unless your device is sending large packets (greater than 536 bytes). Use the **ip tcp window-size** command to change the default window size.

In a TCP sliding-window operation, for example, the sender might have a sequence of bytes to send (numbered 1 to 10) to a receiver who has a window size of five. The sender then places a window around the first five bytes and transmits them together. The sender then waits for an acknowledgment.

The receiver responds with an ACK = 6, indicating that it has received bytes 1 to 5 and is expecting byte 6 next. In the same packet, the receiver indicates that its window size is 5. The sender then moves the sliding window five bytes to the right and transmits bytes 6 to 10. The receiver responds with an ACK = 11, indicating that it is expecting sequenced byte 11 next. In this packet, if the receiver indicates that its window size is 0, the sender cannot send any more bytes until the receiver sends another packet with a window size greater than 0.

## TCP Outgoing Queue Size

The default TCP outgoing queue size per connection is five segments if the connection has a TTY associated with it (such as a Telnet connection). If no TTY connection is associated with a connection, the default queue size is 20 segments. Use the **ip tcp queuemax** command to change the five-segment default value.

## TCP MSS Adjustment

The TCP MSS Adjustment feature enables the configuration of the maximum segment size (MSS) for transient packets that traverse a device, specifically TCP segments with the SYN bit set. Use the **ip tcp adjust-mss** command in interface configuration mode to specify the MSS value on the intermediate device of the SYN packets to avoid truncation.

When a host (usually a PC) initiates a TCP session with a server, the host negotiates the IP segment size by using the MSS option field in the TCP SYN packet. The value of the MSS field is determined by the MTU configuration on the host. The default MSS value for a PC is 1500 bytes.

The PPP over Ethernet (PPPoE) standard supports a Maximum Transmission Unit (MTU) of only 1492 bytes. The disparity between the host and PPPoE MTU size can cause the device in between the host and the server to drop 1500-byte packets and terminate TCP sessions over the PPPoE network. Even if the path MTU (which detects the correct MTU across the path) is enabled on the host, sessions may be dropped because system administrators sometimes disable ICMP error messages that must be relayed from the host for path MTU to work.

The **ip tcp adjust-mss** command helps prevent TCP sessions from being dropped by adjusting the MSS value of the TCP SYN packets.

The **ip tcp adjust-mss** command is effective only for TCP connections passing through the device.

In most cases, the optimum value for the *max-segment-size* argument of the **ip tcp adjust-mss** command is 1452 bytes. This value plus the 20-byte IP header, the 20-byte TCP header, and the 8-byte PPPoE header add up to a 1500-byte packet that matches the MTU size for the Ethernet link.

See the “Configuring the MSS Value and MTU for Transient TCP SYN Packets” section for configuration instructions.

## TCP Applications Flags Enhancement

The TCP Applications Flags Enhancement feature enables the user to display additional flags with reference to TCP applications. There are two types of flags: status and option. The status flags indicate the status of TCP connections such as passive open, active open, retransmission timeout, and app closed for listening. The additional flags indicate the state of set options such as whether a VPN routing and forwarding instance (VRF)

is set, whether a user is idle, and whether a keepalive timer is running. Use the **show tcp** command to display TCP application flags.

## TCP Show Extension

The TCP Show Extension feature introduces the capability to display addresses in IP format instead of the hostname format and to display the VRF table associated with the connection. To display the status for all endpoints with addresses in IP format, use the **show tcp brief numeric** command.

## TCP MIB for RFC 4022 Support

The TCP MIB for RFC 4022 Support feature introduces support for RFC 4022, *Management Information Base for the Transmission Control Protocol (TCP)*. RFC 4022 is an incremental change of the TCP MIB to improve the manageability of TCP.

To locate and download MIBs for selected platforms, Cisco IOS releases, and feature sets, use Cisco MIB Locator found at the following URL:

<http://www.cisco.com/go/mibs>

## Zero-Field TCP Packets

Prior to Cisco IOS XE Release 2.5, when a zero-field TCP packet is received on the router, the TCP packet counter is incremented.

In Cisco IOS XE Release 2.5 and later releases, when a zero-field TCP packet is received on the router, the TCP packet counter is not incremented.

When a zero-field TCP packet is received, it is displayed as 0 under the TCP statistics field when the **show ip traffic** command is configured. When the debug **ip tcp packet** command is configured, and a zero-field TCP packet is received, a debug message similar to the following is displayed:

```
Jan 19 21:57:28.487: TCP: Alert! Received a segment with cleared flags  
10.4.14.49
```

# How to Configure TCP

## Configuring TCP Performance Parameters

### Before you begin

Both sides of the network link must be configured to support window scaling or the default of 65,535 bytes will be applied as the maximum window size. To support Explicit Congestion Notification (ECN), the remote peer must be ECN-enabled because the ECN capability is negotiated during a three-way handshake with the remote peer.

### SUMMARY STEPS

1. **enable**



2. **configure terminal**
3. **ip tcp synwait-time** *seconds*
4. **ip tcp path-mtu-discovery** [**age-timer** {*minutes* | **infinite**}]
5. **ip tcp selective-ack**
6. **ip tcp timestamp**
7. **ip tcp chunk-size** *characters*
8. **ip tcp window-size** *bytes*
9. **ip tcp ecn**
10. **ip tcp queuemax** *packets*
11. **end**

## DETAILED STEPS

	Command or Action	Purpose
Step 1	<b>enable</b> <b>Example:</b> Device> enable	Enables privileged EXEC mode. <ul style="list-style-type: none"> <li>• Enter your password if prompted.</li> </ul>
Step 2	<b>configure terminal</b> <b>Example:</b> Device# configure terminal	Enters global configuration mode.
Step 3	<b>ip tcp synwait-time</b> <i>seconds</i> <b>Example:</b> Device(config)# ip tcp synwait-time 60	(Optional) Sets the amount of time the Cisco software will wait before attempting to establish a TCP connection. <ul style="list-style-type: none"> <li>• The default is 30 seconds.</li> </ul>
Step 4	<b>ip tcp path-mtu-discovery</b> [ <b>age-timer</b> { <i>minutes</i>   <b>infinite</b> }] <b>Example:</b> Device(config)# ip tcp path-mtu-discovery age-timer 11	(Optional) Enables Path MTU Discovery. <ul style="list-style-type: none"> <li>• <b>age-timer</b> —Time interval, in minutes, TCP reestimates the Maximum Transmission Unit (MTU) with a larger Maximum Segment Size (MSS). The default is 10 minutes. The maximum is 30 minutes.</li> <li>• <b>infinite</b>—Disables the age timer.</li> </ul>
Step 5	<b>ip tcp selective-ack</b> <b>Example:</b> Device(config)# ip tcp selective-ack	(Optional) Enables TCP selective acknowledgment.
Step 6	<b>ip tcp timestamp</b> <b>Example:</b> Device(config)# ip tcp timestamp	(Optional) Enables the TCP time stamp.
Step 7	<b>ip tcp chunk-size</b> <i>characters</i> <b>Example:</b>	(Optional) Sets the TCP maximum read size for Telnet or rlogin.

	Command or Action	Purpose
	Device(config)# ip tcp chunk-size 64000	<b>Note</b> We do not recommend that you change this value.
<b>Step 8</b>	<b>ip tcp window-size bytes</b> <b>Example:</b> Device(config)# ip tcp window-size 75000	(Optional) Sets the TCP window size. <ul style="list-style-type: none"> <li>The <i>bytes</i> argument can be set to an integer from 68 to 1073741823. To enable window scaling to support Long Flat Networks (LFNs), the TCP window size must be more than 65535. The default window size is 4128 if window scaling is not configured.</li> </ul> <b>Note</b> With CSCsw45317, the <i>bytes</i> argument can be set to an integer from 68 to 1073741823.
<b>Step 9</b>	<b>ip tcp ecn</b> <b>Example:</b> Device(config)# ip tcp ecn	(Optional) Enables ECN for TCP.
<b>Step 10</b>	<b>ip tcp queuemax packets</b> <b>Example:</b> Device(config)# ip tcp queuemax 10	(Optional) Sets the TCP outgoing queue size.
<b>Step 11</b>	<b>end</b> <b>Example:</b> Device(config)# end	Exits to privileged EXEC mode.

## Configuring the MSS Value and MTU for Transient TCP SYN Packets

Perform this task to configure the maximum size segment (MSS) for transient packets that traverse a device, specifically TCP segments with the SYN bit set, and to configure the MTU size of IP packets.

If you are configuring the **ip mtu** command on the same interface as the **ip tcp adjust-mss** command, we recommend that you use the following commands and values:

- **ip tcp adjust-mss 1452**
- **ip mtu 1492**

### SUMMARY STEPS

1. **enable**
2. **configure terminal**
3. **interface type number**
4. **ip tcp adjust-mss max-segment-size**
5. **ip mtu bytes**
6. **end**

## DETAILED STEPS

	Command or Action	Purpose
Step 1	<b>enable</b> <b>Example:</b> Device> enable	Enables privileged EXEC mode. <ul style="list-style-type: none"><li>• Enter your password if prompted.</li></ul>
Step 2	<b>configure terminal</b> <b>Example:</b> Device# configure terminal	Enters global configuration mode.
Step 3	<b>interface type number</b> <b>Example:</b> Device(config)# interface GigabitEthernet 1/0/0	Configures an interface type and enters interface configuration mode.
Step 4	<b>ip tcp adjust-mss max-segment-size</b> <b>Example:</b> Device(config-if)# ip tcp adjust-mss 1452	Adjusts the MSS value of TCP SYN packets going through a device. <ul style="list-style-type: none"><li>• The <i>max-segment-size</i> argument is the maximum segment size, in bytes. The range is from 500 to 1460.</li></ul>
Step 5	<b>ip mtu bytes</b> <b>Example:</b> Device(config-if)# ip mtu 1492	Sets the MTU size of IP packets, in bytes, sent on an interface.
Step 6	<b>end</b> <b>Example:</b> Device(config-if)# end	Exits to global configuration mode.

## Configuring the MSS Value for IPv6 Traffic

Perform this task to configure the maximum size segment (MSS) for transient packets that traverse a device, specifically TCP segments with the DF bit set in IPv6 network layer (IP) header.

## SUMMARY STEPS

1. **enable**
2. **configure terminal**
3. **interface type number**
4. **ipv6 tcp adjust-mss max-segment-size**
5. **end**

## DETAILED STEPS

	Command or Action	Purpose
Step 1	<b>enable</b>	Enables privileged EXEC mode.

	Command or Action	Purpose
	<b>Example:</b> Device> enable	<ul style="list-style-type: none"> <li>Enter your password if prompted.</li> </ul>
<b>Step 2</b>	<b>configure terminal</b> <b>Example:</b> Device# configure terminal	Enters global configuration mode.
<b>Step 3</b>	<b>interface <i>type number</i></b> <b>Example:</b> Device(config)# interface GigabitEthernet 1/0/0	Configures an interface type and enters interface configuration mode.
<b>Step 4</b>	<b>ipv6 tcp adjust-mss <i>max-segment-size</i></b> <b>Example:</b> Device(config-if)# ipv6 tcp adjust-mss 1452	Adjusts the MSS value of TCP DF packets going through a device. <ul style="list-style-type: none"> <li>The <i>max-segment-size</i> argument is the maximum segment size, in bytes. The range is from 40 to 1940.</li> </ul>
<b>Step 5</b>	<b>end</b> <b>Example:</b> Device(config-if)# end	Exits interface configuration mode and returns to privileged EXEC mode.

## Verifying TCP Performance Parameters

### SUMMARY STEPS

1. **show tcp** [*line-number*] [*tcb address*]
2. **show tcp brief** [*all* | *numeric*]
3. **debug ip tcp transactions**
4. **debug ip tcp congestion**

### DETAILED STEPS

#### Step 1 **show tcp** [*line-number*] [*tcb address*]

Displays the status of TCP connections. The arguments and keyword are as follows:

- *line-number*—(Optional) Absolute line number of the Telnet connection status.
- *tcb*—(Optional) Transmission control block (TCB) of the Explicit Congestion Notification (ECN)-enabled connection.
- *address*—(Optional) TCB hexadecimal address. The valid range is from 0x0 to 0xFFFFFFFF.

The following sample output from the **show tcp tcb** command displays detailed information about an ECN-enabled connection that uses a hexadecimal address format:

#### **Example:**

```
Device# show tcp tcb 0x62CD2BB8
```

```

Connection state is LISTEN, I/O status: 1, unread input bytes: 0
Connection is ECN enabled
Local host: 10.10.10.1, Local port: 179
Foreign host: 10.10.10.2, Foreign port: 12000
Enqueued packets for retransmit: 0, input: 0 mis-ordered: 0 (0 bytes)
Event Timers (current time is 0x4F31940):
Timer          Starts      Wakeups          Next
Retrans         0           0                0x0
TimeWait        0           0                0x0
AckHold         0           0                0x0
SendWnd         0           0                0x0
KeepAlive       0           0                0x0
GiveUp          0           0                0x0
PmtuAger        0           0                0x0
DeadWait        0           0                0x0
iss:            0 snduna:       0 sndnxt:        0   sndwnd:        0
irs:            0 rcvnxt:        0 rcvwnd:         4128 delrcvwnd:     0
SRTT: 0 ms, RTTO: 2000 ms, RTV: 2000 ms, KRTT: 0 ms
minRTT: 60000 ms, maxRTT: 0 ms, ACK hold: 200 ms
Flags: passive open, higher precedence, retransmission timeout
TCB is waiting for TCP Process (67)
Datagrams (max data segment is 516 bytes):
Rcvd: 6 (out of order: 0), with data: 0, total data bytes: 0
Sent: 0 (retransmit: 0, fastretransmit: 0), with data: 0, total data
bytes: 0

```

### Cisco Software Modularity

The following sample output from the **show tcp tcb** command displays a Software Modularity image:

#### Example:

```

Device# show tcp tcb 0x1059C10

Connection state is ESTAB, I/O status: 0, unread input bytes: 0
Local host: 10.4.2.32, Local port: 23
Foreign host: 10.4.2.39, Foreign port: 11000
VRF table id is: 0
Current send queue size: 0 (max 65536)
Current receive queue size: 0 (max 32768) mis-ordered: 0 bytes
Event Timers (current time is 0xB9ACB9):
Timer          Starts      Wakeups          Next (msec)
Retrans         6           0                0
SendWnd         0           0                0
TimeWait        0           0                0
AckHold         8           4                0
KeepAlive       11          0                7199992
PmtuAger        0           0                0
GiveUp          0           0                0
Throttle        0           0                0
irs:   1633857851 rcvnxt: 1633857890 rcvadv: 1633890620 rcvwnd: 32730
iss:   4231531315 snduna: 4231531392 sndnxt: 4231531392 sndwnd: 4052
sndmax: 4231531392 sndcwnd: 10220
SRTT: 84 ms, RTTO: 650 ms, RTV: 69 ms, KRTT: 0 ms
minRTT: 0 ms, maxRTT: 200 ms, ACK hold: 200 ms
Keepalive time: 7200 sec, SYN wait time: 75 sec
Giveup time: 0 ms, Retransmission retries: 0, Retransmit forever: FALSE
State flags: none
Feature flags: Nagle
Request flags: none
Window scales: rcv 0, snd 0, request rcv 0, request snd 0
Timestamp option: recent 0, recent age 0, last ACK sent 0
Datagrams (in bytes): MSS 1460, peer MSS 1460, min MSS 1460, max MSS 1460
Rcvd: 14 (out of order: 0), with data: 10, total data bytes: 38
Sent: 10 (retransmit: 0, fastretransmit: 0), with data: 5, total data bytes: 76

```

```
Header prediction hit rate: 72 %
Socket states: SS_ISCONNECTED, SS_PRIV
Read buffer flags: SB_WAIT, SB_SEL, SB_DEL_WAKEUP
Read notifications: 4
Write buffer flags: SB_DEL_WAKEUP
Write notifications: 0
Socket status: 0
```

## Step 2 show tcp brief [all | numeric]

(Optional) Displays addresses in IP format.

Use the **show tcp brief** command to display a concise description of TCP connection endpoints. Use the optional **all** keyword to display the status for all endpoints with addresses in a Domain Name System (DNS) hostname format. If this keyword is not used, endpoints in the LISTEN state are not shown. Use the optional **numeric** keyword to display the status for all endpoints with addresses in IP format.

**Note** If the **ip domain-lookup** command is enabled on the device, and you execute the **show tcp brief** command, the response time of the device to display the output will be very slow. To get a faster response, you should disable the **ip domain-lookup** command.

The following is sample output from the **show tcp brief** command while a user is connected to the system by using Telnet:

### Example:

```
Device# show tcp brief
```

TCB	Local Address	Foreign Address	(state)
609789AC	Device.cisco.com.23	cider.cisco.com.3733	ESTAB

The following example shows the IP activity after the **numeric** keyword is used to display addresses in IP format:

### Example:

```
Device# show tcp brief numeric
```

TCB	Local Address	Foreign Address	(state)
6523A4FC	10.1.25.3.11000	10.1.25.3.23	ESTAB
65239A84	10.1.25.3.23	10.1.25.3.11000	ESTAB
653FCBBC	*.1723 *.*	LISTEN	

## Step 3 debug ip tcp transactions

Use the **debug ip tcp transactions** command to display information about significant TCP transactions such as state changes, retransmissions, and duplicate packets. The TCP/IP network isolated above the data link layer might encounter performance issues. The **debug ip tcp transactions** command can be useful in debugging these performance issues.

The following is sample output from the **debug ip tcp transactions** command:

### Example:

```
Device# debug ip tcp transactions
```

```
TCP: sending SYN, seq 168108, ack 88655553
TCP0: Connection to 10.9.0.13:22530, advertising MSS 966
TCP0: state was LISTEN -> SYNRCVD [23 -> 10.9.0.13(22530)]
TCP0: state was SYNSENT -> SYNRCVD [23 -> 10.9.0.13(22530)]
TCP0: Connection to 10.9.0.13:22530, received MSS 956
TCP0: restart retransmission in 5996
TCP0: state was SYNRCVD -> ESTAB [23 -> 10.9.0.13(22530)]
TCP2: restart retransmission in 10689
TCP2: restart retransmission in 10641
TCP2: restart retransmission in 10633
```

```
TCP2: restart retransmission in 13384 -> 10.0.0.13(16151)]
TCP0: restart retransmission in 5996 [23 -> 10.0.0.13(16151)]
```

The following line from the **debug ip tcp transactions** command sample output shows that TCP has entered Fast Recovery mode:

**Example:**

```
fast re-transmit - sndcwnd - 512, snd_last - 33884268765
```

The following lines from the **debug ip tcp transactions** command sample output show that a duplicate acknowledgment is received when TCP is in Fast Recovery mode (first line) and a partial acknowledgment has been received (second line):

**Example:**

```
TCP0:ignoring second congestion in same window sndcwn - 512, snd_1st - 33884268765
TCP0:partial ACK received sndcwnd:338842495
```

#### Step 4 debug ip tcp congestion

Use the **debug ip tcp congestion** command to display information about TCP congestion events. The TCP/IP network isolated above the data link layer might encounter performance issues. The **debug ip tcp congestion** command can be used to debug these performance issues. The command also displays information related to variations in the TCP send window, congestion window, and congestion threshold window.

The following is sample output from the **debug ip tcp congestion** command:

**Example:**

```
Device# debug ip tcp congestion

*May 20 22:49:49.091: Setting New Reno as congestion control algorithm
*May 22 05:21:47.281: Advance cwnd by 12
*May 22 05:21:47.281: TCP85FDOC10: sndcwnd: 1472
*May 22 05:21:47.285: Advance cwnd by 3
*May 22 05:21:47.285: TCP85FDOC10: sndcwnd: 1475
*May 22 05:21:47.285: Advance cwnd by 3
*May 22 05:21:47.285: TCP85FDOC10: sndcwnd: 1478
*May 22 05:21:47.285: Advance cwnd by 9
*May 22 05:21:47.285: TCP85FDOC10: sndcwnd: 1487
*May 20 22:50:32.559: [New Reno] sndcwnd: 8388480 ssthresh: 65535 snd_mark: 232322
*May 20 22:50:32.559: 10.168.10.10:42416 <---> 10.168.30.11:49100 congestion window changes
*May 20 22:50:32.559: cwnd from 8388480 to 2514841, ssthresh from 65535 to 2514841
```

For Cisco TCP, New Reno is the default congestion control algorithm. However, an application can also use Binary Increase Congestion Control (BIC) as the congestion control algorithm. The following is sample output from the **debug ip tcp congestion** command using BIC:

**Example:**

```
Device# debug ip tcp congestion

*May 22 05:21:42.281: Setting BIC as congestion control algorithm
*May 22 05:21:47.281: Advance cwnd by 12
*May 22 05:21:47.281: TCP85FDOC10: sndcwnd: 1472
*May 22 05:21:47.285: Advance cwnd by 3
*May 22 05:21:47.285: TCP85FDOC10: sndcwnd: 1475
*May 22 05:21:47.285: Advance cwnd by 3
*May 22 05:21:47.285: TCP85FDOC10: sndcwnd: 1478
*May 22 05:21:47.285: Advance cwnd by 9
*May 22 05:21:47.285: TCP85FDOC10: sndcwnd: 1487
*May 20 22:50:32.559: [BIC] sndcwnd: 8388480 ssthresh: 65535 bic_last_max_cwnd: 0 last_cwnd: 8388480
```

```
*May 20 22:50:32.559: 10.168.10.10:42416 <---> 10.168.30.11:49100 congestion window changes
*May 20 22:50:32.559: cwnd from 8388480 to 2514841, ssthresh from 65535 to 2514841
*May 20 22:50:32.559: bic_last_max_cwnd changes from 0 to 8388480
```

## Configuration Examples for TCP

### Example: Verifying the Configuration of TCP ECN

The following example shows how to verify whether TCP ECN is configured:

```
Device# show running-config

Building configuration...
.
.
.
ip tcp ecn ! ECN is configured.
.
.
.
```

The following example shows how to verify whether TCP is ECN-enabled on a specific connection (local host):

```
Device# show tcp tcb 123456A

!Local host
!
Connection state is ESTAB, I/O status: 1, unread input bytes: 0
Connection is ECN Enabled
Local host: 10.1.25.31, Local port: 11002
Foreign host: 10.1.25.34, Foreign port: 23
```

The following example shows how to display concise information about one address:

```
Device# show tcp brief

!
TCB          Local address          Foreign Address          (state)
609789C      Router.example.com.23  cider.example.com.3733  ESTAB
```

The following example shows how to enable IP TCP ECN debugging:

```
Device# debug ip tcp ecn
!
TCP ECN debugging is on
!
Device# telnet 10.1.25.31

Trying 10.1.25.31 ...
!
01:43:19: 10.1.25.35:11000 <---> 10.1.25.31:23 out ECN-setup SYN
01:43:21: 10.1.25.35:11000 <---> 10.1.25.31:23 congestion window changes
01:43:21: cwnd from 1460 to 1460, ssthresh from 65535 to 2920
01:43:21: 10.1.25.35:11000 <---> 10.1.25.31:23 in non-ECN-setup SYN-ACK
```



Before a TCP connection can use ECN, a host sends an ECN-setup SYN (synchronization) packet to a remote end that contains an Echo Congestion Experience (ECE) and Congestion window reduced (CWR) bit set in the header. Setting the ECE and CWR bits indicates to the remote end that the sending TCP is ECN capable, rather than an indication of congestion. The remote end sends an ECN-setup SYN-ACK (acknowledgment) packet to the sending host.

In this example the “out ECN-setup SYN” text means that a SYN packet with the ECE and CWR bit set was sent to the remote end. The “in non-ECN-setup SYN-ACK” text means that the remote end did not favorably acknowledge the ECN request and, therefore, the session is not ECN capable.

The following output shows that ECN capabilities are enabled at both ends. In response to the ECN-setup SYN, the other end favorably replied with an ECN-setup SYN-ACK message. This connection is now ECN capable for the rest of the session.

```
Device# telnet 10.10.10.10

Trying 10.10.10.10 ... Open
Password required, but none set
!
1d20h: 10.1.25.34:11003 <---> 10.1.25.35:23   out ECN-setup SYN
1d20h: 10.1.25.34:11003 <---> 10.1.25.35:23   in ECN-setup SYN-ACK
```

The following example shows how to verify that the hosts are connected:

```
Device# show debugging
!
TCP:
  TCP Packet debugging is on
  TCP ECN debugging is on
!
Device# telnet 10.1.25.234
!
Trying 10.1.25.234 ...
!
00:02:48: 10.1.25.31:11001 <---> 10.1.25.234:23   out ECN-setup SYN
00:02:48: tcp0: O CLOSED 10.1.25.234:11001 10.1.25.31:23 seq 1922220018
          OPTS 4 ECE CWR SYN WIN 4128
00:02:50: 10.1.25.31:11001 <---> 10.1.25.234:23   congestion window changes
00:02:50: cwnd from 1460 to 1460, ssthresh from 65535 to 2920
00:02:50: tcp0: R SYNSENT 10.1.25.234:11001 10.1.25.31:23 seq 1922220018
          OPTS 4 ECE CWR SYN WIN 4128
00:02:54: 10.1.25.31:11001 <---> 10.1.25.234:23   congestion window changes
00:02:54: cwnd from 1460 to 1460, ssthresh from 2920 to 2920
00:02:54: tcp0: R SYNSENT 10.1.25.234:11001 10.1.25.31:23 seq 1922220018
          OPTS 4 ECE CWR SYN WIN 4128
00:03:02: 10.1.25.31:11001 <---> 10.1.25.234:23   congestion window changes
00:03:02: cwnd from 1460 to 1460, ssthresh from 2920 to 2920
00:03:02: tcp0: R SYNSENT 10.1.25.234:11001 10.1.25.31:23 seq 1922220018
          OPTS 4 ECE CWR SYN WIN 4128
00:03:18: 10.1.25.31:11001 <---> 10.1.25.234:23   SYN with ECN disabled
00:03:18: 10.1.25.31:11001 <---> 10.1.25.234:23   congestion window changes
00:03:18: cwnd from 1460 to 1460, ssthresh from 2920 to 2920
00:03:18: tcp0: O SYNSENT 10.1.25.234:11001 10.1.25.31:23 seq 1922220018
          OPTS 4 SYN WIN 4128
00:03:20: 10.1.25.31:11001 <---> 10.1.25.234:23   congestion window changes
00:03:20: cwnd from 1460 to 1460, ssthresh from 2920 to 2920
00:03:20: tcp0: R SYNSENT 10.1.25.234:11001 10.1.25.31:23 seq 1922220018
          OPTS 4 SYN WIN 4128
00:03:24: 10.1.25.31:11001 <---> 10.1.25.234:23   congestion window changes
00:03:24: cwnd from 1460 to 1460, ssthresh from 2920 to 2920
00:03:24: tcp0: R SYNSENT 10.1.25.234:11001 10.1.25.31:23 seq 1922220018
```

```

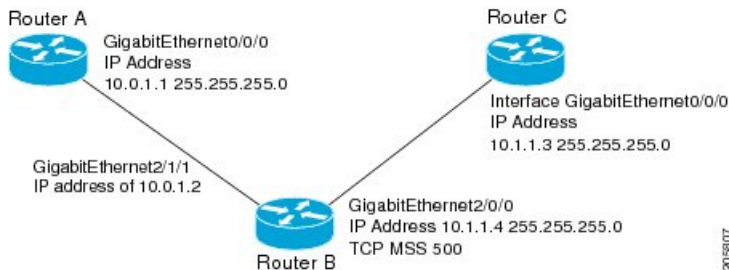
OPTS 4 SYN WIN 4128
00:03:32: 10.1.25.31:11001 <---> 10.1.25.234:23 congestion window changes
00:03:32: cwnd from 1460 to 1460, ssthresh from 2920 to 2920
00:03:32: tcp0: R SYNSENT 10.1.25.234:11001 10.1.25.31:23 seq 1922220018
      OPTS 4 SYN WIN 4128
!Connection timed out; remote host not responding

```

## Example: Configuring the TCP MSS Adjustment

The following example shows how to configure and verify the interface adjustment value for the example topology displayed in the figure below:

**Figure 3: Example Topology for TCP MSS Adjustment**



Configure the interface adjustment value on router B:

```

Router_B(config)# interface GigabitEthernet 2/0/0
Router_B(config-if)# ip tcp adjust-mss 500

```

Telnet from router A to router C with B having the Maximum Segment Size (MSS) adjustment configured:

```
Router_A# telnet 192.168.1.1
```

```
Trying 192.168.1.1... Open
```

Observe the debug output from router C:

```
Router_C# debug ip tcp transactions
```

```

Sep 5 18:42:46.247: TCP0: state was LISTEN -> SYNRCVD [23 -> 10.0.1.1(38437)]
Sep 5 18:42:46.247: TCP: tcb 32290C0 connection to 10.0.1.1:38437, peer MSS 500, MSS is 500
Sep 5 18:42:46.247: TCP: sending SYN, seq 580539401, ack 6015751
Sep 5 18:42:46.247: TCP0: Connection to 10.0.1.1:38437, advertising MSS 500
Sep 5 18:42:46.251: TCP0: state was SYNRCVD -> ESTAB [23 -> 10.0.1.1(38437)]

```

The MSS gets adjusted to 500 on Router B as configured.

The following example shows the configuration of a Point-to-Point Protocol over Ethernet (PPPoE) client with the MSS value set to 1452:

```

Device(config)# vpdn enable
Device(config)# no vpdn logging
Device(config)# vpdn-group 1
Device(config-vpdn)# request-dialin
Device(config-vpdn-req-in)# protocol pppoe
Device(config-vpdn-req-in)# exit
Device(config-vpdn)# exit
Device(config)# interface GigabitEthernet 0/0/0

```

```

Device(config-if)# ip address 192.168.100.1.255.255.255.0
Device(config-if)# ip tcp adjust-mss 1452
Device(config-if)# ip nat inside
Device(config-if)# exit
Device(config)# interface ATM 0
Device(config-if)# no ip address
Device(config-if)# no atm ilmi-keepalive
Device(config-if)# pvc 8/35
Device(config-if)# pppoe client dial-pool-number 1
Device(config-if)# dsl equipment-type CPE
Device(config-if)# dsl operating-mode GSHDSL symmetric annex B
Device(config-if)# dsl linerate AUTO
Device(config-if)# exit
Device(config)# interface Dialer 1
Device(config-if)3 ip address negotiated
Device(config-if)# ip mtu 1492
Device(config-if)# ip nat outside
Device(config-if)# encapsulation ppp
Device(config-if)# dialer pool 1
Device(config-if)# dialer-group 1
Device(config-if)# ppp authentication pap callin
Device(config-if)# ppp pap sent-username sohodyn password 7 141B1309000528
Device(config-if)# ip nat inside source list 101 Dialer1 overload
Device(config-if)# exit
Device(config)# ip route 0.0.0.0.0.0.0.0 Dialer1
Device(config)# access-list permit ip 192.168.100.0.0.0.0.255 any

```

The following example shows the configuration of interface adjustment value for IPv6 traffic:

```

Device> enable
Device# configure terminal
Device(config)# interface GigabitEthernet 0/0/0
Device(config)# ipv6 tcp adjust-mss 1452
Device(config)# end

```

## Example: Configuring the TCP Application Flags Enhancement

The following output shows the flags (status and option) displayed using the **show tcp** command:

```

Device# show tcp
.
.
.
Status Flags: passive open, active open, retransmission timeout
App closed
Option Flags: vrf id set
IP Precedence value: 6
.
.
.
SRTT: 273 ms, RTTO: 490 ms, RTV: 217 ms, KRTT: 0 ms
minRTT: 0 ms, maxRTT: 300 ms, ACK hold: 200 ms

```

## Example: Displaying Addresses in IP Format

The following example shows the IP activity by using the **numeric** keyword to display the addresses in IP format:

```
Device# show tcp brief numeric
```

```
TCB          Local Address      Foreign Address    (state)
6523A4FC     10.1.25.3.11000   10.1.25.3.23     ESTAB
65239A84     10.1.25.3.23     10.1.25.3.11000 ESTAB
653FCBCC     *.1723 *.* LISTEN
```

## Additional References

### Related Documents

Related Topic	Document Title
Cisco IOS commands	<a href="#">Cisco IOS Master Commands List, All Releases</a>
IP Application Services commands	<a href="#">IP Application Services Command Reference</a>

### Standards and RFCs

Standard/RFC	Title
RFC 793	<a href="#">Transmission Control Protocol</a>
RFC 1191	<a href="#">Path MTU discovery</a>
RFC 1323	<a href="#">TCP Extensions for High Performance</a>
RFC 2018	<a href="#">TCP Selective Acknowledgment Options</a>
RFC 2581	<a href="#">TCP Congestion Control</a>
RFC 3168	<a href="#">The Addition of Explicit Congestion Notification (ECN) to IP</a>
RFC 3782	<a href="#">The NewReno Modification to TCP's Fast Recovery Algorithm</a>
RFC 4022	<a href="#">Management Information Base for the Transmission Control Protocol (TCP)</a>

### MIBs

MIB	MIBs Link
CISCO-TCP-MIB	To locate and download MIBs for selected platforms, Cisco software releases, and feature sets, use Cisco MIB Locator found at the following URL:  <a href="http://www.cisco.com/go/mibs">http://www.cisco.com/go/mibs</a>

### Technical Assistance

Description	Link
The Cisco Support and Documentation website provides online resources to download documentation, software, and tools. Use these resources to install and configure the software and to troubleshoot and resolve technical issues with Cisco products and technologies. Access to most tools on the Cisco Support and Documentation website requires a Cisco.com user ID and password.	<a href="http://www.cisco.com/cisco/web/support/index.html">http://www.cisco.com/cisco/web/support/index.html</a>

## Feature Information for TCP

The following table provides release information about the feature or features described in this module. This table lists only the software release that introduced support for a given feature in a given software release train. Unless noted otherwise, subsequent releases of that software release train also support that feature.

Use Cisco Feature Navigator to find information about platform support and Cisco software image support. To access Cisco Feature Navigator, go to [www.cisco.com/go/cfn](http://www.cisco.com/go/cfn). An account on Cisco.com is not required.

**Table 6: Feature Information for TCP**

Feature Name	Releases	Feature Information
TCP Application Flags Enhancement	12.2(31)SB2 12.4(2)T	The TCP Applications Flags Enhancement feature enables the user to display additional flags with reference to TCP applications. There are two types of flags: status and option. The status flags indicate the status of TCP connections such as retransmission timeouts, application closed, and synchronized (SYNC) handshakes for listening. The additional flags indicate the state of set options such as whether a VPN routing and forwarding instance (VRF) is set, whether a user is idle, and whether a keepalive timer is running.  The following command was modified by this feature: <b>show tcp</b> .

Feature Name	Releases	Feature Information
TCP Congestion Avoidance	12.3(7)T	<p>The TCP Congestion Avoidance feature enables the monitoring of acknowledgment packets to the TCP sender when multiple packets are lost in a single window of data. Before this feature was introduced, the sender would exit Fast-Recovery mode, wait for three or more duplicate acknowledgment packets before retransmitting the next unacknowledged packet, or wait for the retransmission timer to start slowly. This delay could lead to performance issues.</p> <p>Implementation of RFC 2581 and RFC 3782 addresses the modifications to the Fast-Recovery algorithm that incorporates a response to partial acknowledgments received during Fast Recovery, improving performance in situations where multiple packets are lost in a single window of data.</p> <p>This feature is an enhancement to the existing Fast Recovery algorithm. No commands are used to enable or disable this feature.</p> <p>The output of the <b>debug ip tcp transactions</b> command monitors acknowledgment packets by displaying the following conditions:</p> <ul style="list-style-type: none"> <li>• TCP entering Fast Recovery mode.</li> <li>• Duplicate acknowledgments being received during Fast Recovery mode.</li> <li>• Partial acknowledgments being received.</li> </ul> <p>The following command was modified by this feature: <b>debug ip tcp transactions</b>.</p>
TCP Explicit Congestion Notification	12.3(7)T	<p>The TCP Explicit Congestion Notification (ECN) feature allows an intermediate router to notify end hosts of impending network congestion. It also provides enhanced support for TCP sessions associated with applications such as Telnet, web browsing, and transfer of audio and video data, that are sensitive to delay or packet loss. The benefit of this is the reduction of delay and packet loss in data transmissions.</p> <p>The following commands were introduced or modified by this feature: <b>debug ip tcp ecn, ip tcp ecn, show debugging, show tcp</b>.</p>
TCP MIB for RFC4022 Support	12.2(33)XN	<p>The TCP MIB for RFC 4022 Support feature introduces support for RFC 4022, <i>Management Information Base for the Transmission Control Protocol (TCP)</i>. RFC 4022 is an incremental change of the TCP MIB to improve the manageability of TCP.</p> <p>There are no new or modified commands for this feature.</p>

Feature Name	Releases	Feature Information
TCP MSS Adjust	12.2(4)T 12.2(8)T 12.2(18)ZU2 12.2(28)SB 12.2(33)SRA 12.2(33)SXH 15.0(1)S	<p>The TCP MSS Adjust feature enables the configuration of the maximum segment size (MSS) for transient packets that traverse a device, specifically TCP segments in the SYN bit set.</p> <p>In 12.2(4)T, this feature was introduced.</p> <p>In 12.2(8)T, the command that was introduced by this feature was changed from <b>ip adjust-mss</b> to <b>ip tcp adjust-mss</b>.</p> <p>In 12.2(28)SB and 12.2(33)SRA, this feature was enhanced to be configurable on subinterfaces.</p> <p>The following command was introduced by this feature: <b>ip tcp adjust-mss</b>.</p>
TCP Show Extension	12.2(31)SB2 12.4(2)T	<p>The TCP Show Extension feature introduces the capability to display addresses in IP format instead of hostname format and to display the VRF table associated with the connection.</p> <p>The following command was modified by this feature: <b>show tcp brief</b>.</p>
TCP Window Scaling	12.2(8)T 12.2(31)SB2	<p>The TCP Window Scaling feature adds support for the Window Scaling option in RFC 1323. A larger window size is recommended to improve TCP performance in network paths with large bandwidth, long-delay characteristics that are called Long Fat Networks (LFNs). This TCP Window Scaling enhancement provides that support.</p> <p>The following command was introduced or modified by this feature: <b>ip tcp window-size</b>.</p>
TCP Keepalive Timer	15.2(4)M	<p>The TCP Keepalive Timer feature introduces the capability to identify dead connections between multiple routing devices.</p> <p>The following command was introduced or modified by this feature: <b>ip tcp keepalive</b>.</p>







## CHAPTER 7

# Configuring WCCP

The Web Cache Communication Protocol (WCCP) is a Cisco-developed content-routing technology that intercepts IP packets and redirects those packets to a destination other than that specified in the IP packet. Typically the packets are redirected from their destination web server on the Internet to a content engine that is local to the client. In some WCCP deployment scenarios, redirection of traffic may also be required from the web server to the client. WCCP enables you to integrate content engines into your network infrastructure.

Cisco IOS Release 12.1 and later releases allow the use of either WCCP Version 1 (WCCPv1) or Version 2 (WCCPv2).

The tasks in this document assume that you have already configured content engines on your network. For specific information on hardware and network planning associated with Cisco Content Engines and WCCP, see the Cisco Content Engines documentation at the following URL:

<http://www.cisco.com/univercd/cc/td/doc/product/webscale/content/index.htm>

- [Finding Feature Information, on page 87](#)
- [Prerequisites for WCCP, on page 88](#)
- [Restrictions for WCCP, on page 88](#)
- [Information About WCCP, on page 89](#)
- [How to Configure WCCP, on page 101](#)
- [Configuration Examples for WCCP, on page 111](#)
- [Additional References, on page 116](#)
- [Feature Information for WCCP, on page 118](#)

## Finding Feature Information

Your software release may not support all the features documented in this module. For the latest caveats and feature information, see [Bug Search Tool](#) and the release notes for your platform and software release. To find information about the features documented in this module, and to see a list of the releases in which each feature is supported, see the feature information table.

Use Cisco Feature Navigator to find information about platform support and Cisco software image support. To access Cisco Feature Navigator, go to [www.cisco.com/go/cfn](http://www.cisco.com/go/cfn). An account on Cisco.com is not required.

## Prerequisites for WCCP

- To use WCCP, IP must be configured on the interface connected to the Internet and another interface must be connected to the content engine.
- The interface connected to the content engine must be a Fast Ethernet or Gigabit Ethernet interface.

## Restrictions for WCCP

### General

The following limitations apply to Web Cache Communication Protocol Version1 (WCCPv1) and WCCP Version 2 ( WCCPv2):

- WCCP works only with IPv4 networks.
- WCCP bypasses Network Address Translation (NAT) when Cisco Express Forwarding is enabled.

### WCCPv1

- WCCPv1 supports the redirection of HTTP (TCP port 80) traffic only.
- WCCPv1 does not allow multiple routers to be attached to a cluster of content engines.

### WCCPv2

- WCCP works only with IPv4 networks.
- For routers servicing a multicast cluster, the Time To Live (TTL) value must be set at 15 or fewer.
- Service groups can comprise up to 32 content engines and 32 routers.
- All content engines in a cluster must be configured to communicate with all routers servicing the cluster.
- Multicast addresses must be from 224.0.0.0 to 239.255.255.255.

### WCCP VRF Support

- In Cisco IOS Release 12.2(33)SRE, this feature is supported only on Cisco 7200 NPE-G2 and Cisco 7304-NPE-G100 routers.

### WCCP Layer 2 Forwarding and Return

In a Cisco Wide Area Application Services (WAAS) and Cisco IOS XE firewall configuration, all packets processed by a Wide Area Application Engine (WAE) device must go over the Cisco IOS XE firewall in both directions to support the Web Cache Coordination Protocol (WCCP) generic routing encapsulation (GRE) redirect. This situation occurs when a Layer 2 redirect is not available. If a Layer 2 redirect is configured on the WAE, the system defaults to the GRE redirect to continue to function.

The client device and a WAE device or a cache engine cannot be connected to a Cisco device with the same interface and WCCP redirect configured on the interface.

The following two configurations are supported:

- For WCCP Layer 2 return, the client and WAE are connected to a Cisco device with same interface and WCCP output is configured on the interface.
- For WCCP Layer 2 return, the client and WAE are connected to a Cisco device with same physical interface but in different VLANs and sub-interfaces.

### Cisco 7600 Series Routers Access Control Lists

When WCCP is using the mask assignment, any redirect list is merged with the mask information from the appliance and the resulting merged ACL is passed down to the Cisco 7600 series router hardware. Only Permit or Deny ACL entries from the redirect list in which the protocol is IP or exactly matches the service group protocol are merged with the mask information from the appliance.

The following restrictions apply to the redirect-list ACL:

- The ACL must be an IPv4 simple or extended ACL.
- Only individual source or destination port numbers may be specified; port ranges cannot be specified.
- The only valid matching criteria in addition to individual source or destination port numbers are **dscp** or **tos**.
- The use of **fragments**, **time-range**, or **options** keywords, or any TCP flags is not permitted.
- If the redirect ACL does not meet the restrictions shown, the system will log the following error message:

```
WCCP-3-BADACE: Service <service group>, invalid access-list entry (seq:<sequence>,
reason:<reason>)
```

- WCCP continues to redirect packets, but the redirection is carried out in software until the access list is adjusted.

## Information About WCCP

### WCCP Overview

WCCP uses Cisco Content Engines (or other content engines running WCCP) to localize traffic patterns in the network, enabling content requests to be fulfilled locally. Traffic localization reduces transmission costs and download time.

WCCP enables routing platforms to transparently redirect content requests. With transparent redirection, users can fulfill content requests locally without configuring their browsers to use a web proxy. Instead, they can use the target URL to request content, and have their requests automatically redirected to a content engine. The word "transparent" in this case means that the end user does not know that a requested file (such as a web page) came from the content engine instead of from the originally specified server.

A content engine receiving a request attempts to service it from its own local cache. If the requested information is not present, the content engine issues its own request to the originally targeted server to get the required

information. A content engine retrieving the requested information forwards it to the requesting client and caches it to fulfill future requests, thus maximizing download performance and substantially reducing transmission costs.

WCCP enables a series of content engines, called a content engine cluster, to provide content to a router or multiple routers. Network administrators can easily scale their content engines to manage heavy traffic loads through these clustering capabilities. Cisco clustering technology enables each cluster member to work in parallel, resulting in linear scalability. Clustering content engines greatly improves the scalability, redundancy, and availability of your caching solution. You can cluster up to 32 content engines to scale to your desired capacity.

## Layer 2 Forwarding Redirection and Return

WCCP uses either generic routing encapsulation (GRE) or Layer 2 (L2) to redirect or return IP traffic. When WCCP forwards traffic via GRE, the redirected packets are encapsulated within a GRE header. The packets also have a WCCP redirect header. When WCCP forwards traffic using L2, the original MAC header of the IP packet is overwritten and replaced with the MAC header for the WCCP client.

Using L2 as a forwarding method allows direct forwarding to the content engine without further lookup. Layer 2 redirection requires that the router and content engines are directly connected, that is, on the same IP subnetwork.

When WCCP returns traffic via GRE, the returned packets are encapsulated within a GRE header. The destination IP address is the address of the router and the source address is the address of the WCCP client. When WCCP returns traffic via L2, the original IP packet is returned without any added header information. The router to which the packet is returned will recognize the source of the packet and prevent redirection.

The WCCP redirection method does not have to match the return method.

L2 forwarding, return, or redirection are typically used for hardware-accelerated platforms. Depending on your release, L2 forwarding, return, and redirection can also be used for software-switching platforms.

For content engines running Application and Content Networking System (ACNS) software, use the **wccp custom-web-cache** command with the **l2-redirect** keyword to configure L2 redirection. For content engines running Cisco Wide Area Application Services (WAAS) software, use the **wccp tcp-promiscuous** command with the **l2-redirect** keyword to configure L2 redirection.



**Note** Before configuring a GRE tunnel, configure a loopback interface (that is not attached to a VRF) with an IP address so that the internally created tunnel interface is enabled for IPv4 forwarding by unnumbering itself to this dummy loopback interface. You do not need to configure a loopback interface if the system has at least one interface that is not attached to a VRF and that is configured with an IPv4 address.

For information about Cisco ACNS commands used to configure Cisco Content Engines, see the [Cisco ACNS Software Command Reference](#).

For more information about WAAS commands used to configure Cisco Content Engines, see the [Cisco Wide Area Application Services Command Reference](#).

## WCCP Mask Assignment

The WCCP Mask Assignment feature enables mask assignment as the load-balancing method (instead of the default hash assignment method) for a WCCP service.

For content engines running Application and Content Networking System (ACNS) software, use the **wccp custom-web-cache** command with the **mask-assign** keyword to configure mask assignment. For content engines running Cisco Wide Area Application Services (WAAS) software, use the **wccp tcp-promiscuous** command with the **mask-assign** keyword to configure mask assignment.

For information about Cisco ACNS commands used to configure Cisco Content Engines, see the [Cisco ACNS Software Command Reference](#).

For more information about WAAS commands used to configure Cisco Content Engines, see the [Cisco Wide Area Application Services Command Reference](#).

## Hardware Acceleration

Cisco 7600 series routers provide WCCP Layer 2 Policy Feature Card (PFC) redirection hardware acceleration. Hardware acceleration allows Cisco Content Engines to perform a L2 MAC address rewrite redirection method when directly connected to a compatible router.

Redirection processing is accelerated in the routing hardware, which is more efficient than L3 redirection with Generic Routing Encapsulation (GRE). L2 redirection takes place on the router, and is not visible to the Multilayer Switch Feature Card (MSFC). The WCCP L2 PFC redirection feature requires no configuration on the MSFC. The **show ip wccp {service-number | web-cache} detail** command displays which redirection method is in use for each content engine.

In order for the router to make complete use of hardware redirection, the content engine must be configured with L2 redirection and mask assignment.

Use the **ip wccp web-cache accelerated** command on hardware-based platforms to enforce the use of L2 redirection and mask assignment. Using this command configures the router to form a service group and redirect packets with an appliance only if the appliance is configured for L2 and mask assignment.

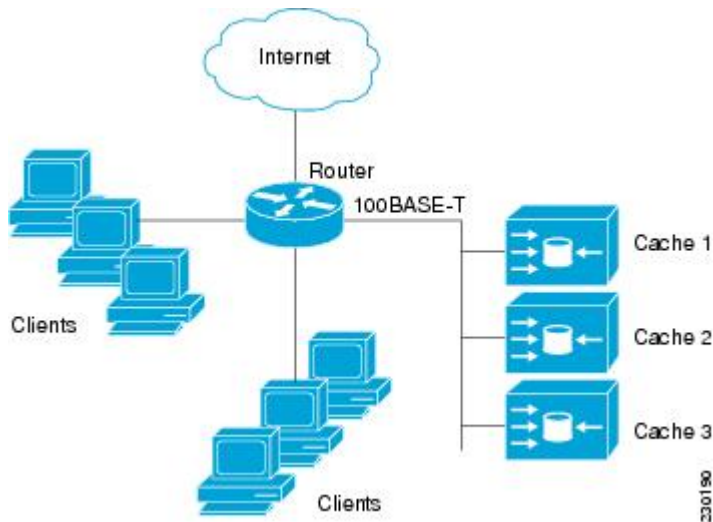
The following guidelines apply to WCCP Layer 2 PFC redirection:

- The WCCP Layer 2 PFC redirection feature sets the IP flow mask to full-flow mode.
- You can configure the Cisco Cache Engine software Release 2.2 or later releases to use the WCCP Layer 2 PFC redirection feature.
- L2 redirection takes place on the PFC and is not visible to the MSFC. The **show ip wccp {service-number | web-cache} detail** command on the MSFC displays statistics for only the first packet of an L2 redirected flow, which provides an indication of how many flows, rather than packets, are using L2 redirection. You can view information about L2 redirected flows by entering the **show platform flow ip** command. The PFC3 provides hardware acceleration for GRE. If you use WCCP Layer 3 redirection with GRE, there is hardware support for encapsulation, but the PFC3 does not provide hardware support for decapsulation of WCCP GRE traffic.

## WCCPv1 Configuration

With WCCPv1, only a single router services a cluster. In this scenario, this router is the device that performs all the IP packet redirection. The figure below illustrates the WCCPv1 configuration.

Figure 4: WCCPv1 Configuration



Content is not duplicated on the content engines. The benefit of using multiple content engines is that you can scale a caching solution by clustering multiple physical content engines to appear as one logical cache.

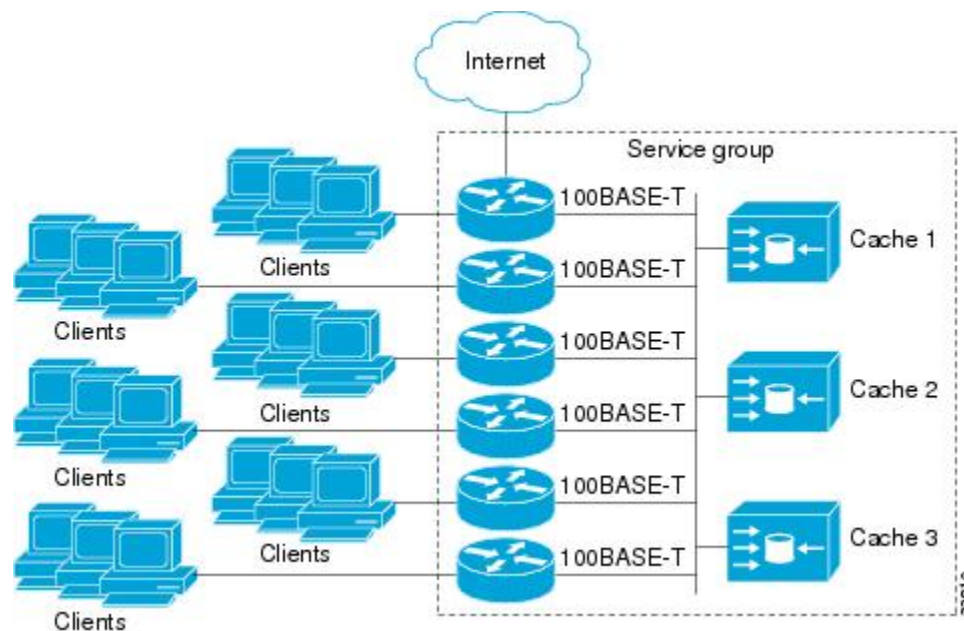
The following sequence of events details how WCCPv1 configuration works:

1. Each content engine is configured by the system administrator with the IP address of the control router. Up to 32 content engines can connect to a single control router.
2. The content engines send their IP addresses to the control router using WCCP, indicating their presence. Routers and content engines communicate to each other via a control channel; this channel is based on UDP port 2048.
3. This information is used by the control router to create a cluster view (a list of caches in the cluster). This view is sent to each content engine in the cluster, essentially making all the content engines aware of each other. A stable view is established after the membership of the cluster remains the same for a certain amount of time.
4. When a stable view has been established, one content engine is elected as the lead content engine. (The lead is defined as the content engine seen by all the content engines in the cluster with the lowest IP address). This lead content engine uses WCCP to indicate to the control router how IP packet redirection should be performed. Specifically, the lead content engine designates how redirected traffic should be distributed across the content engines in the cluster.

## WCCPv2 Configuration

Multiple routers can use WCCPv2 to service a content engine cluster. In WCCPv1, only one router could redirect content requests to a cluster. The figure below illustrates a sample configuration using multiple routers.

Figure 5: Cisco Content Engine Network Configuration Using WCCPv2



The subset of content engines within a cluster and routers connected to the cluster that are running the same service is known as a service group. Available services include TCP and UDP redirection.

In WCCPv1, the content engines were configured with the address of the single router. WCCPv2 requires that each content engine be aware of all the routers in the service group. To specify the addresses of all the routers in a service group, you must choose one of the following methods:

- **Unicast**—A list of router addresses for each of the routers in the group is configured on each content engine. In this case the address of each router in the group must be explicitly specified for each content engine during configuration.
- **Multicast**—A single multicast address is configured on each content engine. In the multicast address method, the content engine sends a single-address notification that provides coverage for all routers in the service group. For example, a content engine could indicate that packets should be sent to a multicast address of 224.0.0.100, which would send a multicast packet to all routers in the service group configured for group listening using WCCP (see the `ip wccp group-listen` or the `ipv6 wccp group-listen` interface configuration command for details).

The multicast option is easier to configure because you need only specify a single address on each content engine. This option also allows you to add and remove routers from a service group dynamically, without needing to reconfigure the content engines with a different list of addresses each time.

The following sequence of events details how WCCPv2 configuration works:

1. Each content engine is configured with a list of routers.
2. Each content engine announces its presence and a list of all routers with which it has established communications. The routers reply with their view (list) of content engines in the group.
3. When the view is consistent across all content engines in the cluster, one content engine is designated as the lead and sets the policy that the routers need to deploy in redirecting packets.

## WCCPv2 Support for Services Other Than HTTP

WCCPv2 allows redirection of traffic other than HTTP (TCP port 80 traffic), including a variety of UDP and TCP traffic. WCCPv2 supports the redirection of packets intended for other ports, including those used for proxy-web cache handling, File Transfer Protocol (FTP) caching, FTP proxy handling, web caching for ports other than 80, and Real Audio, video, and telephony applications.

To accommodate the various types of services available, WCCPv2 introduced the concept of multiple *service groups*. Service information is specified in the WCCP configuration commands using dynamic services identification numbers (such as 98) or a predefined service keyword (such as **web-cache**). This information is used to validate that service group members are all using or providing the same service.

The content engines in a service group specify traffic to be redirected by protocol (TCP or UDP) and up to eight source or destination ports. Each service group has a priority status assigned to it. The priority of a dynamic service is assigned by the content engine. The priority value is in the range of 0 to 255 where 0 is the lowest priority. The predefined web-cache service has an assigned priority of 240.

## WCCPv2 Support for Multiple Routers

WCCPv2 allows multiple routers to be attached to a cluster of cache engines. The use of multiple routers in a service group allows for redundancy, interface aggregation, and distribution of the redirection load. WCCPv2 supports up to 32 routers per service group. Each service group is established and maintained independently.

## WCCPv2 MD5 Security

WCCPv2 provides optional authentication that enables you to control which routers and content engines become part of the service group using passwords and the Hashed Message Authentication Code—Message Digest (HMAC MD5) standard. Shared-secret MD5 one-time authentication (set using the **ip wccp [password [0 | 7] password]** global configuration command) enables messages to be protected against interception, inspection, and replay.

## WCCPv2 Web Cache Packet Return

If a content engine is unable to provide a requested object it has cached due to error or overload, the content engine will return the request to the router for onward transmission to the originally specified destination server. WCCPv2 provides a check on packets that determines which requests have been returned from the content engine unserved. Using this information, the router can then forward the request to the originally targeted server (rather than attempting to resend the request to the content engine cluster). This process provides error handling transparency to clients.

Typical reasons why a content engine would reject packets and initiate the packet return feature include the following:

- Instances when the content engine is overloaded and has no room to service the packets
- Instances when the content engine is filtering for certain conditions that make caching packets counterproductive (for example, when IP authentication has been turned on)



## WCCPv2 Load Distribution

WCCPv2 can be used to adjust the load being offered to individual content engines to provide an effective use of the available resources while helping to ensure high quality of service (QoS) to the clients. WCCPv2 allows the designated content engine to adjust the load on a particular content engine and balance the load across the content engines in a cluster. WCCPv2 uses three techniques to perform load distribution:

- Hot spot handling—Allows an individual hash bucket to be distributed across all the content engines. Prior to WCCPv2, information from one hash bucket could go to only one content engine.
- Load balancing—Allows the set of hash buckets assigned to a content engine to be adjusted so that the load can be shifted from an overwhelmed content engine to other members that have available capacity.
- Load shedding—Enables the router to selectively redirect the load to avoid exceeding the capacity of a content engine.

The use of these hashing parameters prevents one content engine from being overloaded and reduces the potential for bottlenecking.

## WCCP VRF Support

The WCCP VRF Support feature enhances the WCCPv2 protocol by implementing support for virtual routing and forwarding (VRF).

The WCCP VRF Support feature allows service groups to be configured on a per-VRF basis in addition to those defined globally.

Along with the service identifier, the VRF of WCCP protocol packets arriving at the router is used to associate cache-engines with a configured service group.

The same VRF must have the interface on which redirection is applied, the interface which is connected to cache engine, and the interface on which the packet would have left if it had not been redirected.

## WCCP VRF Tunnel Interfaces

In releases that support the WCCP VRF Support feature, the use of GRE redirection results in the creation of new tunnel interfaces. You can display these tunnel interfaces by entering the **show ip interface brief | include tunnel** command:

```
Device# show ip interface brief | include tunnel

Tunnel0          172.16.0.1      YES unset up
Tunnel1          172.16.0.1      YES unset up
Tunnel2          172.16.0.1      YES unset up
Tunnel3          172.16.0.1      YES unset up
Device#
```

The tunnel interfaces are automatically created in order to process outgoing GRE-encapsulated traffic for WCCP. The tunnel interfaces appear when a content engine connects and requests GRE redirection. The tunnel interfaces are not created directly by WCCP, but are created indirectly via a tunnel application programming interface (API). WCCP does not have direct knowledge of the tunnel interfaces, but can redirect packets to them, resulting in the appropriate encapsulation being applied to the packets. After the appropriate encapsulation is applied, the packet is then sent to the content engine.



**Note** The tunnel interfaces are not used to connect with incoming WCCP GRE return packets.

One tunnel is created for each service group that is using GRE redirection. One additional tunnel is created to provide an IP address that allows the other tunnel group interfaces to be unnumbered but still enabled for IPv4.

You can confirm the connection between the tunnels and WCCP by entering the **show tunnel groups wccp** command:

```
Device# show tunnel groups wccp

WCCP : service group 0 in "Default", ver v2, assgnmnt: hash-table
      intf: Tunnel0, locally sourced
WCCP : service group 317 in "Default", ver v2, assgnmnt: hash-table
      intf: Tunnel3, locally sourced
WCCP : service group 318 in "Default", ver v2, assgnmnt: hash-table
      intf: Tunnel2, locally sourced
```

You can display additional information about each tunnel interface by entering the **show tunnel interface interface-number** command:

```
Device# show tunnel interface t0

Tunnel0
  Mode:multi-GRE/IP, Destination UNKNOWN, Source 10.1.1.80
  Application ID 2: WCCP : service group 0 in "Default", ver v2, assgnmnt: hash-table
  Linestate - current up
  Internal linestate - current up, evaluated up

Device# show tunnel interface t1

Tunnel1
  Mode:multi-GRE/IP, Destination UNKNOWN, Source 172.16.0.1
  Application ID 2: unspecified
  Linestate - current up
  Internal linestate - current up, evaluated up

Device# show tunnel interface t2

Tunnel2
  Mode:multi-GRE/IP, Destination UNKNOWN, Source 10.1.1.80
  Application ID 2: WCCP : service group 318 in "Default", ver v2, assgnmnt: hash-table
  Linestate - current up
  Internal linestate - current up, evaluated up

Device# show tunnel interface t3

Tunnel3
  Mode:multi-GRE/IP, Destination UNKNOWN, Source 10.1.1.80
  Application ID 2: WCCP : service group 317 in "Default", ver v2, assgnmnt: hash-table
  Linestate - current up
  Internal linestate - current up, evaluated up
Device#
```

Note that the service group number shown in the examples is the internal tunnel representation of the WCCP service group number. Group 0 is the web-cache service. To determine the dynamic services, subtract 256 from the displayed service group number to convert to the WCCP service group number. For interfaces that are used for redirection, the source address shown is the WCCP router ID.

You can display information about the connected content engines and encapsulation, including software packet counters, by entering the **show adjacency [tunnel-interface] [encapsulation] [detail] [internal]** command:

```
Device# show adjacency t0
```

```
Protocol Interface          Address
IP          Tunnel0         10.1.1.82(3)
```

```
Device# show adjacency t0 encapsulation
```

```
Protocol Interface          Address
IP          Tunnel0         10.1.1.82(3)
```

```
Encap length 28
4500000000000000FF2F7D2B1E010150
1E0101520000883E00000000
Provider: TUNNEL
Protocol header count in macstring: 3
  HDR 0: ipv4
    dst: static, 10.1.1.82
    src: static, 10.1.1.80
    prot: static, 47
    ttl: static, 255
    df: static, cleared
    per packet fields: tos ident tl chksm
  HDR 1: gre
    prot: static, 0x883E
    per packet fields: none
  HDR 2: wccpv2
    dyn: static, cleared
    sgID: static, 0
    per packet fields: alt altB priB
```

```
Device# show adjacency t0 detail
```

```
Protocol Interface          Address
IP          Tunnel0         10.1.1.82(3)
                                connectionid 1
                                0 packets, 0 bytes
                                epoch 0
                                sourced in sev-epoch 1
                                Encap length 28
                                4500000000000000FF2F7D2B1E010150
                                1E0101520000883E00000000
                                Tun endpt
                                Next chain element:
                                IP adj out of Ethernet0/0, addr 10.1.1.82
```

```
Device# show adjacency t0 internal
```

```
Protocol Interface          Address
IP          Tunnel0         10.1.1.82(3)
                                connectionid 1
                                0 packets, 0 bytes
                                epoch 0
                                sourced in sev-epoch 1
                                Encap length 28
                                4500000000000000FF2F7D2B1E010150
                                1E0101520000883E00000000
                                Tun endpt
                                Next chain element:
                                IP adj out of Ethernet0/0, addr 10.1.1.82
                                parent oce 0x4BC76A8
                                frame originated locally (Null0)
                                L3 mtu 17856
```

```

Flags (0x2808C4)
Fixup enabled (0x40000000)
  GRE WCCP redirection
HWIDB/IDB pointers 0x55A13E0/0x35F5A80
IP redirect disabled
Switching vector: IPv4 midchain adj oce
IP Tunnel stack to 10.1.1.82 in Default (0x0)
  nh tracking enabled: 10.1.1.82/32
  IP adj out of Ethernet0/0, addr 10.1.1.82
Adjacency pointer 0x4BC74D8
Next-hop 10.1.1.82
Device#

```

## WCCP Bypass Packets

WCCP intercepts IP packets and redirects those packets to a destination other than the destination that is specified in the IP header. Typically the packets are redirected from a web server on the Internet to a web cache that is local to the destination.

Occasionally a web cache cannot manage the redirected packets appropriately and returns the packets unchanged to the originating router. These packets are called bypass packets and are returned to the originating router using either Layer 2 forwarding without encapsulation (L2) or encapsulated in generic routing encapsulation (GRE). The router decapsulates and forwards the packets normally. The VRF associated with the ingress interface (or the global table if there is no VRF associated) is used to route the packet to the destination.

GRE is a tunneling protocol developed by Cisco that encapsulates packet types from a variety of protocols inside IP tunnels, creating a virtual point-to-point link over an IP network.

## WCCP Closed Services and Open Services

In applications where packets are intercepted and redirected by a Cisco IOS router to external WCCP client devices, it may be necessary to block the packets for the application when a WCCP client device is not available. This blocking is achieved by configuring a WCCP closed service. When a WCCP service is configured as closed, the packets that fulfill the services, but do not have an active client device, are discarded.

By default, WCCP operates as an open service, wherein communication between clients and servers proceeds normally in the absence of an intermediary device.

The **ip wccp service-list** or the **ipv6 wccp service-list** command can be used for both closed-mode and open-mode services. Use the **service-list** keyword and *service-access-list* argument to register an application protocol type or port number. Use the **mode** keyword to select an open or closed service.

## WCCP Outbound ACL Check

When WCCP is enabled for redirection on an ingress interface, the packets are redirected by WCCP and instead egress on an interface other than the destination that is specified in the IP header. The packets are still subject to ACLs configured on the ingress interface. However, redirection can cause the packets to bypass the ACL configured on the original egress interface. Packets that would have been dropped because of the ACL configured on the original egress interface can be sent out on the redirect egress interface, which poses a possible security problem. Enabling the WCCP Outbound ACL check feature ensures that redirected packets are subject to any ACL conditions configured on the original egress interface.

## WCCP Service Groups

WCCP is a component of Cisco IOS software that redirects traffic with defined characteristics from its original destination to an alternative destination. The typical application of WCCP is to redirect traffic bound for a remote web server to a local web cache to improve response time and optimize network resource usage.

The nature of the selected traffic for redirection is defined by service groups (see figure below) specified on content engines and communicated to routers by using WCCP. The maximum number of service groups allowed across all VRFs is 256.

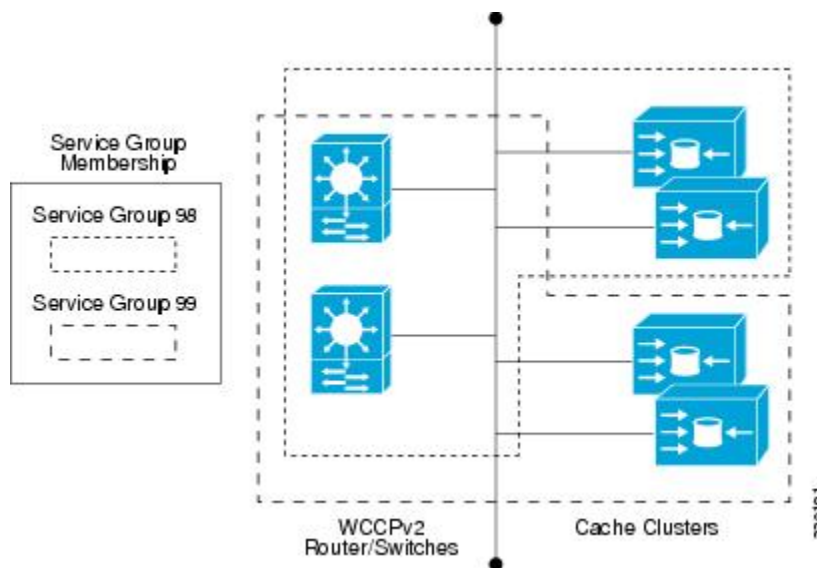
WCCPv2 supports up to 32 routers per service group. Each service group is established and maintained independently.

WCCPv2 uses service groups based on logical redirection services, deployed for intercepting and redirecting traffic. The standard service is web cache, which intercepts TCP port 80 (HTTP) traffic and redirects that traffic to the content engines. This service is referred to as a *well-known service*, because the characteristics of the web cache service are known by both the router and content engines. A description of a well-known service is not required beyond a service identification. To specify the standard web cache service, use the **ip wccp** or the **ipv6 wccp** command with the **web-cache** keyword.



**Note** More than one service can run on a router at the same time, and routers and content engines can be part of multiple service groups at the same time.

Figure 6: WCCP Service Groups



The dynamic services are defined by the content engines; the content engine instructs the router which protocol or ports to intercept, and how to distribute the traffic. The router itself does not have information on the characteristics of the dynamic service group’s traffic, because this information is provided by the first content engine to join the group. In a dynamic service, up to eight ports can be specified within a single protocol.

Cisco Content Engines, for example, use dynamic service 99 to specify a reverse-proxy service. However, other content engine devices may use this service number for some other service.

## WCCP—Check All Services

An interface may be configured with more than one WCCP service. When more than one WCCP service is configured on an interface, the precedence of a service depends on the relative priority of the service compared to the priority of the other configured services. Each WCCP service has a priority value as part of its definition. When an interface is configured with more than one WCCP service, the precedence of the packets is matched against service groups in priority order.



**Note** The priority of a WCCP service group cannot be configured via Cisco IOS software.

With the **ip wccp check services all** or the **ipv6 wccp check services all** command, WCCP can be configured to check all configured services for a match and perform redirection for those services if appropriate. The caches to which packets are redirected can be controlled by a redirect ACL and by the service priority. The **ip wccp check services all** commands must be configured at global level to support multiple WCCP services.

If no WCCP services are configured with a redirect ACL, the services are considered in priority order until a service is found that matches the IP packet. If no services match the packet, the packet is not redirected. If a service matches the packet and the service has a redirect ACL configured, then the IP packet will be checked against the ACL. If the packet is rejected by the ACL, the packet will not be passed down to lower priority services unless the **ip wccp check services all** or the **ipv6 wccp check services all** command is configured. When the **ip wccp check services all** or the **ipv6 wccp check services all** command is configured, WCCP will continue to attempt to match the packet against any remaining lower priority services configured on the interface.

## WCCP Interoperability with NAT

To redirect traffic using WCCP to a router running WAAS software that is also configured with NAT, enable the **ip nat inside** or the **ipv6 nat inside** command on the WAAS interface. If you are not able to configure the **ip nat inside** or the **ipv6 nat inside** command on the WAAS interface, disable Cisco Express Forwarding. You must also update the WCCP redirect ACL to include a private address to ensure that pretranslated traffic is redirected.

## WCCP Troubleshooting Tips

CPU usage may be very high when WCCP is enabled. The WCCP counters enable a determination of the bypass traffic directly on the router and can indicate whether the cause is high CPU usage due to enablement of WCCP. In some situations, 10 percent bypass traffic may be normal; in other situations, 10 percent may be high. However, any figure above 25 percent should prompt a closer investigation of what is occurring in the web cache.

If the counters suggest that the level of bypass traffic is high, the next step is to examine the bypass counters in the content engine and determine why the content engine is choosing to bypass the traffic. You can log in to the content engine console and use the CLI to investigate further. The counters allow you to determine the percent of traffic being bypassed.

You can use the **clear ipv6 wccp service-id** command to remove the IPv6 WCCP statistics (counts) maintained on the router for a particular service.

You can use the **clear wccp** command to remove all (IPv4 and IPv6) WCCP statistics (counts) maintained on the router for a particular service.

You can use the **show ipv6 wccp** command to display the IPv6 WCCP global statistics (counts).

You can use the **show wccp** command to display all (IPv4 and IPv6) WCCP global statistics (counts).

## How to Configure WCCP

The following configuration tasks assume that you have already installed and configured the content engines you want to include in your network. You must configure the content engines in the cluster before configuring WCCP functionality on your routers or switches. Refer to the [Cisco Cache Engine User Guide](#) for content engine configuration and setup tasks.

### Configuring WCCP

Perform this task to configure WCCP.

Until you configure a WCCP service using the **ip wccp {web-cache | service-number}** global configuration command, WCCP is disabled on the device. The first use of a form of the **ip wccp** command enables WCCP. By default WCCPv2 is used for services, but you can use WCCPv1 functionality instead. To change the running version of WCCP from Version 2 to Version 1, or to return to WCCPv2 after an initial change, use the **ip wccp version** command in global configuration mode.

If a function is not allowed in WCCPv1, an error prompt will be printed to the screen. For example, if WCCPv1 is running on the device and you try to configure a dynamic service, the following message will be displayed: “WCCP V1 only supports the web-cache service.” The **show ip wccp EXEC** command will display the WCCP protocol version number that is running on your device.

Use the **ip wccp web-cache password** command to set a password for a device and the content engines in a service group. MD5 password security requires that each device and content engine that wants to join a service group be configured with the service group password. The password must be up to eight characters in length. Each content engine or device in the service group will authenticate the security component in a received WCCP packet immediately after validating the WCCP message header. Packets failing authentication will be discarded.

#### SUMMARY STEPS

1. **enable**
2. **configure terminal**
3. **ip wccp version {1 | 2}**
4. **ip wccp {web-cache | service-number} [group-address multicast-address] [redirect-list access-list] [group-list access-list] [password password [0 | 7] ]**
5. **interface type number**
6. **ip wccp {web-cache | service-number} redirect {in | out}**
7. **exit**
8. **interface type number**
9. **ip wccp redirect exclude in**

#### DETAILED STEPS

	Command or Action	Purpose
Step 1	<b>enable</b>	Enables privileged EXEC mode.

	Command or Action	Purpose
	<b>Example:</b> Device> enable	<ul style="list-style-type: none"> <li>Enter your password if prompted.</li> </ul>
<b>Step 2</b>	<b>configure terminal</b> <b>Example:</b> Device# configure terminal	Enters global configuration mode.
<b>Step 3</b>	<b>ip wccp version {1   2}</b> <b>Example:</b> Device(config)# ip wccp version 2	Specifies which version of WCCP to configure on a device. <ul style="list-style-type: none"> <li>WCCPv2 is the default running version.</li> </ul>
<b>Step 4</b>	<b>ip wccp {web-cache   service-number} [group-address multicast-address] [redirect-list access-list] [group-list access-list] [password password [0   7] ]</b> <b>Example:</b> Device(config)# ip wccp web-cache password pwd	Specifies a web-cache or dynamic service to enable on a device, specifies the IP multicast address used by the service group, specifies any access lists to use, specifies whether to use MD5 authentication, and enables the WCCP service. <ul style="list-style-type: none"> <li><b>Note</b> The password length must not exceed 8 characters.</li> </ul>
<b>Step 5</b>	<b>interface type number</b> <b>Example:</b> Device(config)# interface GigabitEthernet 0/0	Targets an interface number for which the web cache service will run, and enters interface configuration mode.
<b>Step 6</b>	<b>ip wccp {web-cache   service-number} redirect {in   out}</b> <b>Example:</b> Device(config-if)# ip wccp web-cache redirect in	Enables packet redirection on an outbound or inbound interface using WCCP. <ul style="list-style-type: none"> <li>As indicated by the <b>out</b> and <b>in</b> keyword options, redirection can be specified for outbound interfaces or inbound interfaces.</li> </ul>
<b>Step 7</b>	<b>exit</b> <b>Example:</b> Device(config-if)# exit	Exits interface configuration mode.
<b>Step 8</b>	<b>interface type number</b> <b>Example:</b> Device(config)# interface GigabitEthernet 0/2/0	Targets an interface number on which to exclude traffic for redirection, and enters interface configuration mode.
<b>Step 9</b>	<b>ip wccp redirect exclude in</b> <b>Example:</b> Device(config-if)# ip wccp redirect exclude in	(Optional) Excludes traffic on the specified interface from redirection.



## Configuring Closed Services

Perform this task to specify the number of service groups for WCCP, to configure a service group as a closed or open service, and to optionally specify a check of all services.

### SUMMARY STEPS

1. **enable**
2. **configure terminal**
3. Enter one of the following commands:
  - **ip wccp [vrf vrf-name] service-number [service-list service-access-list mode {open | closed}]**
  - or
  - **ip wccp [vrf vrf-name] web-cache mode {open | closed}**
4. **ip wccp check services all**
5. **ip wccp [vrf vrf-name ] {web-cache | service-number}**
6. **exit**

### DETAILED STEPS

	Command or Action	Purpose
<b>Step 1</b>	<b>enable</b> <b>Example:</b> Device> enable	Enables privileged EXEC mode. <ul style="list-style-type: none"> <li>• Enter your password if prompted.</li> </ul>
<b>Step 2</b>	<b>configure terminal</b> <b>Example:</b> Device# configure terminal	Enters global configuration mode.
<b>Step 3</b>	Enter one of the following commands: <ul style="list-style-type: none"> <li>• <b>ip wccp [vrf vrf-name] service-number [service-list service-access-list mode {open   closed}]</b></li> <li>• or</li> <li>• <b>ip wccp [vrf vrf-name] web-cache mode {open   closed}</b></li> </ul> <b>Example:</b> Device(config)# ip wccp 90 service-list 120 mode closed or Device(config)# ip wccp web-cache mode closed	Configures a dynamic WCCP service as closed or open. or Configures a web-cache service as closed or open. <b>Note</b> When configuring the web-cache service as a closed service, you cannot specify a service access list. <b>Note</b> When configuring a dynamic WCCP service as a closed service, you must specify a service access list.
<b>Step 4</b>	<b>ip wccp check services all</b> <b>Example:</b>	(Optional) Enables a check of all WCCP services.

	Command or Action	Purpose
	<pre>Device(config)# ip wccp check services all</pre>	<ul style="list-style-type: none"> <li>Use this command to configure WCCP to check the other configured services for a match and perform redirection for those services if appropriate. The caches to which packets are redirected can be controlled by the redirect ACL and not just the service description.</li> </ul> <p><b>Note</b> The <b>ip wccp check services all</b> command is a global WCCP command that applies to all services and is not associated with a single service.</p>
<b>Step 5</b>	<p><b>ip wccp</b> [<i>vrf vrf-name</i>] {<b>web-cache</b>   <i>service-number</i>}</p> <p><b>Example:</b></p> <pre>Device(config)# ip wccp 201</pre>	<p>Specifies the WCCP service identifier.</p> <ul style="list-style-type: none"> <li>You can specify the standard web-cache service or a dynamic service number from 0 to 255.</li> <li>The maximum number of services that can be specified is 256.</li> </ul>
<b>Step 6</b>	<p><b>exit</b></p> <p><b>Example:</b></p> <pre>Device(config)# exit</pre>	<p>Exits to privileged EXEC mode.</p>

## Registering a Router to a Multicast Address

If you decide to use the multicast address option for your service group, you must configure the router to listen for the multicast broadcasts on an interface.

For network configurations where redirected traffic needs to traverse an intervening router, the router being traversed must be configured to perform IP multicast routing. You must configure the following two components to enable traversal over an intervening router:

- Enable IP multicast routing using the **ip multicast-routing** global configuration command.
- Enable the interfaces to which the cache engines will connect to receive multicast transmissions using the **ip wccp group-listen** interface configuration command.

### SUMMARY STEPS

- enable**
- configure terminal**
- ip multicast-routing** [*vrf vrf-name*] [**distributed**]
- ip wccp** [*vrf vrf-name*] {**web-cache** | *service-number*} **group-address** *multicast-address*
- interface** *type number*
- ip pim** {**sparse-mode** | **sparse-dense-mode** | **dense-mode** [**proxy-register** {**list** *access-list* | **route-map** *map-name*}]}
- ip wccp** [*vrf vrf-name*] {**web-cache** | *service-number*} **group-listen**

## DETAILED STEPS

	Command or Action	Purpose
Step 1	<b>enable</b> <b>Example:</b> Device> enable	Enables privileged EXEC mode. <ul style="list-style-type: none"> <li>• Enter your password if prompted.</li> </ul>
Step 2	<b>configure terminal</b> <b>Example:</b> Device# configure terminal	Enters global configuration mode.
Step 3	<b>ip multicast-routing [vrf vrf-name] [distributed]</b> <b>Example:</b> Device(config)# ip multicast-routing	Enables IP multicast routing.
Step 4	<b>ip wccp [vrf vrf-name] {web-cache   service-number} group-address multicast-address</b> <b>Example:</b> Device(config)# ip wccp 99 group-address 239.1.1.1	Specifies the multicast address for the service group.
Step 5	<b>interface type number</b> <b>Example:</b> Device(config)# interface ethernet 0/0	Enables the interfaces to which the content engines will connect to receive multicast transmissions for which the web cache service will run, and enters interface configuration mode.
Step 6	<b>ip pim {sparse-mode   sparse-dense-mode   dense-mode [proxy-register {list access-list   route-map map-name}]}</b> <b>Example:</b> Device(config-if)# ip pim dense-mode	(Optional) Enables Protocol Independent Multicast (PIM) on an interface.  <b>Note</b> To ensure correct operation of the <b>ip wccp group-listen</b> command on Cisco 7600 series routers, you must enter the <b>ip pim</b> command in addition to the <b>ip wccp group-listen</b> command.
Step 7	<b>ip wccp [vrf vrf-name] {web-cache   service-number} group-listen</b> <b>Example:</b> Device(config-if)# ip wccp 99 group-listen	Configures an interface to enable or disable the reception of IP multicast packets for WCCP.

## Using Access Lists for a WCCP Service Group

Perform this task to configure the device to use an access list to determine which traffic should be directed to which content engines.

## SUMMARY STEPS

1. **enable**
2. **configure terminal**
3. **access-list** *access-list-number* **remark** *remark*
4. **access-list** *access-list-number* **permit** {*source* [*source-wildcard*] | **any**} [**log**]
5. **access-list** *access-list-number* **remark** *remark*
6. **access-list** *access-list-number* **deny** {*source* [*source-wildcard*] | **any**} | [**log**]
7. Repeat some combination of Steps 3 through 6 until you have specified the sources on which you want to base your access list.
8. **ip wccp** [*vrf vrf-name*] **web-cache group-list** *access-list*
9. **ip wccp** [*vrf vrf-name*] **web-cache redirect-list** *access-list*

## DETAILED STEPS

	Command or Action	Purpose
<b>Step 1</b>	<b>enable</b> <b>Example:</b> Device> enable	Enables privileged EXEC mode. <ul style="list-style-type: none"> <li>• Enter your password if prompted.</li> </ul>
<b>Step 2</b>	<b>configure terminal</b> <b>Example:</b> Device# configure terminal	Enters global configuration mode.
<b>Step 3</b>	<b>access-list</b> <i>access-list-number</i> <b>remark</b> <i>remark</i> <b>Example:</b> Device(config)# access-list 1 remark Give access to user1	(Optional) Adds a user-friendly comment about an access list entry. <ul style="list-style-type: none"> <li>• A remark of up to 100 characters can precede or follow an access list entry.</li> </ul>
<b>Step 4</b>	<b>access-list</b> <i>access-list-number</i> <b>permit</b> { <i>source</i> [ <i>source-wildcard</i> ]   <b>any</b> } [ <b>log</b> ] <b>Example:</b> Device(config)# access-list 1 permit 172.16.5.22 0.0.0.0	Creates an access list that enables or disables traffic redirection to the cache engine and permits the specified source based on a source address and wildcard mask. <ul style="list-style-type: none"> <li>• Every access list needs at least one permit statement; it does not need to be the first entry.</li> <li>• Standard IP access lists are numbered 1 to 99 or 1300 to 1999.</li> <li>• If the <i>source-wildcard</i> is omitted, a wildcard mask of 0.0.0.0 is assumed, meaning match on all bits of the source address.</li> <li>• Optionally use the keyword <b>any</b> as a substitute for the <i>source source-wildcard</i> to specify the source and source wildcard of 0.0.0.0 255.255.255.255.</li> </ul>

	Command or Action	Purpose
		<ul style="list-style-type: none"> <li>In this example, host 172.16.5.22 is allowed to pass the access list.</li> </ul>
<b>Step 5</b>	<b>access-list</b> <i>access-list-number</i> <b>remark</b> <i>remark</i> <b>Example:</b> <pre>Device(config)# access-list 1 remark Give access to user1</pre>	(Optional) Adds a user-friendly comment about an access list entry. <ul style="list-style-type: none"> <li>A remark of up to 100 characters can precede or follow an access list entry.</li> </ul>
<b>Step 6</b>	<b>access-list</b> <i>access-list-number</i> <b>deny</b> { <i>source</i> [ <i>source-wildcard</i> ]   <b>any</b> }   [ <b>log</b> ] <b>Example:</b> <pre>Device(config)# access-list 1 deny 172.16.7.34 0.0.0.0</pre>	Denies the specified source based on a source address and wildcard mask. <ul style="list-style-type: none"> <li>If the <i>source-wildcard</i> is omitted, a wildcard mask of 0.0.0.0 is assumed, meaning match on all bits of the source address.</li> <li>Optionally use the abbreviation <i>any</i> as a substitute for the <i>source source-wildcard</i> to specify the source and source wildcard of 0.0.0.0 255.255.255.255.</li> <li>In this example, host 172.16.7.34 is denied passing the access list.</li> </ul>
<b>Step 7</b>	Repeat some combination of Steps 3 through 6 until you have specified the sources on which you want to base your access list.	Remember that all sources not specifically permitted are denied by an implicit <b>deny</b> statement at the end of the access list.
<b>Step 8</b>	<b>ip wccp</b> [ <i>vrf vrf-name</i> ] <b>web-cache group-list</b> <i>access-list</i> <b>Example:</b> <pre>Device(config) ip wccp web-cache group-list 1</pre>	Indicates to the device from which IP addresses of content engines to accept packets.
<b>Step 9</b>	<b>ip wccp</b> [ <i>vrf vrf-name</i> ] <b>web-cache redirect-list</b> <i>access-list</i> <b>Example:</b> <pre>Device(config)# ip wccp web-cache redirect-list 1</pre>	(Optional) Disables caching for certain clients.

## Enabling the WCCP Outbound ACL Check



**Note** When all redirection is performed in the hardware, the mode of redirection will change when outbound ACL checking is enabled. The first packet is switched in software to allow the extra ACL check to be performed before a shortcut is installed.

### SUMMARY STEPS

1. enable

2. **configure terminal**
3. **ip wccp** [*vrf vrf-name*] {**web-cache** | *service-number*} [**group-address** *multicast-address*] [**redirect-list** *access-list*] [**group-list** *access-list*] [**password** *password*]
4. **ip wccp check acl outbound**
5. **exit**

## DETAILED STEPS

	Command or Action	Purpose
<b>Step 1</b>	<b>enable</b> <b>Example:</b> Device> enable	Enables privileged EXEC mode. <ul style="list-style-type: none"> <li>• Enter your password if prompted.</li> </ul>
<b>Step 2</b>	<b>configure terminal</b> <b>Example:</b> Device# configure terminal	Enters global configuration mode.
<b>Step 3</b>	<b>ip wccp</b> [ <i>vrf vrf-name</i> ] { <b>web-cache</b>   <i>service-number</i> } [ <b>group-address</b> <i>multicast-address</i> ] [ <b>redirect-list</b> <i>access-list</i> ] [ <b>group-list</b> <i>access-list</i> ] [ <b>password</b> <i>password</i> ] <b>Example:</b> Device(config)# ip wccp web-cache	Enables the support for a Cisco content engine service group or any content engine service group and configures a redirect ACL list or group ACL. <b>Note</b> The <b>web-cache</b> keyword is for WCCP version 1 and version 2 and the <i>service-number</i> argument is for WCCP version 2 only.
<b>Step 4</b>	<b>ip wccp check acl outbound</b> <b>Example:</b> Device(config)# ip wccp check acl outbound	Checks the access control list (ACL) for egress interfaces for packets redirected by WCCP.
<b>Step 5</b>	<b>exit</b> <b>Example:</b> Device(config)# exit	Exits global configuration.

## Enabling WCCP Interoperability with NAT

### SUMMARY STEPS

1. **enable**
2. **configure terminal**
3. **interface** *type number*
4. **ip nat inside**
5. **ip wccp** *service-number* **redirect in**
6. **exit**

7. **interface** *type number*
8. **ip nat outside**
9. **ip wccp** *service-number* **redirect in**
10. **exit**
11. **interface** *type number*
12. **ip nat inside**
13. **ip wccp redirect exclude in**

## DETAILED STEPS

	Command or Action	Purpose
<b>Step 1</b>	<b>enable</b> <b>Example:</b> Router> enable	Enables privileged EXEC mode. <ul style="list-style-type: none"> <li>• Enter your password if prompted.</li> </ul>
<b>Step 2</b>	<b>configure terminal</b> <b>Example:</b> Router# configure terminal	Enters global configuration mode.
<b>Step 3</b>	<b>interface</b> <i>type number</i> <b>Example:</b> Router(config)# interface ethernet 1	Specifies an interface on which to enable NAT and enters interface configuration mode. <ul style="list-style-type: none"> <li>• This is the LAN-facing interface.</li> </ul>
<b>Step 4</b>	<b>ip nat inside</b> <b>Example:</b> Router(config-if)# ip nat inside	Designates that traffic originating from or destined for the interface is subject to NAT and indicates that the interface is connected to the inside network (the network subject to NAT translation).
<b>Step 5</b>	<b>ip wccp</b> <i>service-number</i> <b>redirect in</b> <b>Example:</b> Router(config-if)# ip wccp 61 redirect in	Enables packet redirection on an inbound interface using WCCP.
<b>Step 6</b>	<b>exit</b> <b>Example:</b> Router(config-if)# exit	Exits interface configuration mode and returns to global configuration mode.
<b>Step 7</b>	<b>interface</b> <i>type number</i> <b>Example:</b> Router(config)# interface ethernet 2	Specifies an interface on which to enable NAT and enters interface configuration mode. <ul style="list-style-type: none"> <li>• This is the WAN-facing interface.</li> </ul>

	Command or Action	Purpose
<b>Step 8</b>	<b>ip nat outside</b> <b>Example:</b>  Router(config-if)# ip nat outside	Designates that traffic originating from or destined for the interface is subject to NAT and indicates that the interface is connected to the outside network.
<b>Step 9</b>	<b>ip wccp <i>service-number</i> redirect in</b> <b>Example:</b>  Router(config-if)# ip wccp 62 redirect in	Enables packet redirection on an inbound interface using WCCP.
<b>Step 10</b>	<b>exit</b> <b>Example:</b>  Router(config-if)# exit	Exits interface configuration mode and returns to global configuration mode.
<b>Step 11</b>	<b>interface <i>type number</i></b> <b>Example:</b>  Router(config)# interface ethernet 3	Specifies an interface on which to enable NAT and enters interface configuration mode. <ul style="list-style-type: none"> <li>• This is the WAAS-facing interface.</li> </ul>
<b>Step 12</b>	<b>ip nat inside</b> <b>Example:</b>  Router(config-if)# ip nat inside	Designates that traffic originating from or destined for the interface is subject to NAT and indicates that the interface is connected to the inside network (the network subject to NAT translation).
<b>Step 13</b>	<b>ip wccp redirect exclude in</b> <b>Example:</b>  Router(config-if)# ip wccp redirect exclude in	Configures an interface to exclude packets received on an interface from being checked for redirection..

## Verifying and Monitoring WCCP Configuration Settings

### SUMMARY STEPS

1. enable
2. show ip wccp [web-cache *service-number*] [detail view]
3. show ip interface
4. more system:running-config

### DETAILED STEPS

	Command or Action	Purpose
<b>Step 1</b>	<b>enable</b> <b>Example:</b>	Enables privileged EXEC mode. <ul style="list-style-type: none"> <li>• Enter your password if prompted.</li> </ul>



	Command or Action	Purpose
	Device> enable	
<b>Step 2</b>	<b>show ip wccp [web-cache  <i>service-number</i>] [detail view]</b> <b>Example:</b> Device# show ip wccp 24 detail	Displays global information related to WCCP, including the protocol version running, the number of content engines in the router service group, which content engine group is allowed to connect to the router, and which access list is being used. <ul style="list-style-type: none"> <li>• <i>service-number</i>—(Optional) Dynamic number of the web-cache service group being controlled by the content engine. The range is from 0 to 99. For web caches that use Cisco Content Engines, the reverse proxy service is indicated by a value of 99.</li> <li>• <b>web-cache</b>—(Optional) statistics for the web-cache service.</li> <li>• <b>detail</b>—(Optional) other members of a particular service group or web cache that have or have not been detected.</li> <li>• <b>view</b>—(Optional) information about a router or all web caches.</li> </ul>
<b>Step 3</b>	<b>show ip interface</b> <b>Example:</b> Device# show ip interface	Displays status about whether any <b>ip wccp redirection</b> commands are configured on an interface; for example, “Web Cache Redirect is enabled / disabled.”
<b>Step 4</b>	<b>more system:running-config</b> <b>Example:</b> Device# more system:running-config	(Optional) Displays contents of the running configuration file (equivalent to the <b>show running-config</b> command).

## Configuration Examples for WCCP

### Example: Changing the Version of WCCP on a Router

The following example shows how to change the WCCP version from the default of WCCPv2 to WCCPv1, and enabling the web-cache service in WCCPv1:

```
Device# show ip wccp

% WCCP version 2 is not enabled
Device# configure terminal

Device(config)# ip wccp version 1
```

```

Device(config)# end
Device# show ip wccp

% WCCP version 1 is not enabled
Device# configure terminal

Device(config)# ip wccp web-cache
Device(config)# end
Device# show ip wccp

Global WCCP information:
  Router information:
    Router Identifier:          10.4.9.8
    Protocol Version:          1.0
  .
  .
  .

```

## Example: Configuring a General WCCPv2 Session

```

Device# configure terminal
Device(config)# ip wccp web-cache group-address 224.1.1.100 password password
Device(config)# ip wccp source-interface GigabitEthernet 0/1/0
Device(config)# ip wccp check services all
! Configures a check of all WCCP services.
Device(config)# interface GigabitEthernet 0/1/0
Device(config-if)# ip wccp web-cache redirect in
Device(config-if)# exit
Device(config)# interface GigabitEthernet 0/2/0
Device(config-if)# ip wccp redirect exclude in
Device(config-if)# exit

```

## Example: Setting a Password for a Router and Content Engines

```

Router# configure terminal
Router(config)# ip wccp web-cache password password1

```

## Example: Configuring a Web Cache Service

```

Device# configure terminal
Device(config)# ip wccp web-cache
Device(config)# interface GigabitEthernet 0/1/0
Device(config-if)# ip wccp web-cache redirect in
Device(config-if)# exit
Device# copy running-config startup-config

```

The following example shows how to configure a session in which redirection of HTTP traffic arriving on Gigabit Ethernet interface 0/1/0 is enabled:

```

Device# configure terminal
Device(config)# interface GigabitEthernet 0/1/0
Device(config-if)# ip wccp web-cache redirect in
Device(config-if)# exit
Device# show ip interface GigabitEthernet 0/1/0
.

```

```

.
.
WCCP Redirect inbound is enabled
WCCP Redirect exclude is disabled
.
.
.

```

## Example: Running a Reverse Proxy Service

The following example assumes that you are configuring a service group using Cisco cache engines, which use dynamic service 99 to run a reverse proxy service:

```

Router# configure terminal
Router(config)# ip wccp 99
Router(config)# interface gigabitethernet 0/1/0
Router(config-if)# ip wccp 99 redirect out

```

## Example: Registering a Router to a Multicast Address

```

Device# configure terminal
Device(config)# ip wccp web-cache group-address 224.1.1.100
Device(config)# interface gigabitethernet 0/1/0
Device(config-if)# ip wccp web cache group-listen

```

The following example shows a router configured to run a reverse proxy service, using the multicast address of 224.1.1.1. Redirection applies to packets outgoing via Gigabit Ethernet interface 0/1/0:

```

Device# configure terminal
Device(config)# ip wccp 99 group-address 224.1.1.1
Device(config)# interface gigabitethernet 0/1/0
Device(config-if)# ip wccp 99 redirect out

```

## Example: Using Access Lists

To achieve better security, you can use a standard access list to notify the device which IP addresses are valid addresses for a content engine attempting to register with the current device. The following example shows a standard access list configuration session where the access list number is 10 for some sample hosts:

```

Device(config)# access-list 10 permit host 10.1.1.1
Device(config)# access-list 10 permit host 10.1.1.2
Device(config)# access-list 10 permit host 10.1.1.3
Device(config)# ip wccp web-cache group-list 10

```

To disable caching for certain clients, servers, or client/server pairs, you can use WCCP access lists. The following example shows that any requests coming from 10.1.1.1 to 10.3.1.1 will bypass the cache, and that all other requests will be serviced normally:

```

Device(config)# ip wccp web-cache redirect-list 120
Device(config)# access-list 120 deny tcp host 10.1.1.1 any
Device(config)# access-list 120 deny tcp any host 10.3.1.1
Device(config)# access-list 120 permit ip any any

```

The following example configures a device to redirect web-related packets received via Gigabit Ethernet interface 0/1/0, destined to any host except 209.165.200.224:

```
Device(config)# access-list 100 deny ip any host 209.165.200.224
Device(config)# access-list 100 permit ip any any
Device(config)# ip wccp web-cache redirect-list 100
Device(config)# interface gigabitethernet 0/1/0
Device(config-if)# ip wccp web-cache redirect in
```

## Example: WCCP Outbound ACL Check Configuration

The following configuration example shows that the access list prevents traffic from network 10.0.0.0 leaving Gigabit Ethernet interface 0/1/0. Because the outbound ACL check is enabled, WCCP does not redirect that traffic. WCCP checks packets against the ACL before they are redirected.

```
Device(config)# ip wccp web-cache
Device(config)# ip wccp check acl outbound
Device(config)# interface gigabitethernet 0/1/0
Device(config-if)# ip access-group 10 out
Device(config-if)# exit
Device(config)# ip wccp web-cache redirect-list redirect-out
Device(config)# access-list 10 deny 10.0.0.0 0.255.255.255
Device(config)# access-list 10 permit any
```

If the outbound ACL check is disabled, the HTTP packets from network 10.0.0.0 would be redirected to a web cache. Users with that network address could retrieve web pages even though the network administrator wanted to prevent it.

## Example: Verifying WCCP Settings

The following example shows how to verify your configuration changes by using the **more system:running-config** command in privileged EXEC mode. The following example shows that both the web cache service and dynamic service 99 are enabled on the device:

```
Device# more system:running-config

Building configuration...
Current configuration:
!
version 12.0
service timestamps debug uptime
service timestamps log uptime
no service password-encryption
service udp-small-servers
service tcp-small-servers
!
hostname router4
!
enable secret 5 $1$nSVy$faliJsVQXVPW.KuCxZnTh1
enable password password1
!
ip subnet-zero
ip wccp web-cache
ip wccp 99
ip domain-name cisco.com
ip name-server 10.1.1.1
ip name-server 10.1.1.2
```

```

ip name-server 10.1.1.3
!
!
interface GigabitEthernet0/1/1
ip address 10.3.1.2 255.255.255.0
no ip directed-broadcast
ip wccp web-cache redirect in
ip wccp 99 redirect in
no ip route-cache
no ip mroute-cache
!
interface GigabitEthernet0/1/0
ip address 10.4.1.1 255.255.255.0
no ip directed-broadcast
ip wccp 99 redirect in
no ip route-cache
no ip mroute-cache
!
interface Serial0
no ip address
no ip directed-broadcast
no ip route-cache
no ip mroute-cache
shutdown
!
interface Serial1
no ip address
no ip directed-broadcast
no ip route-cache
no ip mroute-cache
shutdown
!
ip default-gateway 10.3.1.1
ip classless
ip route 0.0.0.0 0.0.0.0 10.3.1.1
no ip http server
!
!
line con 0
transport input none
line aux 0
transport input all
line vty 0 4
password password1
login
!
end

```

The following example shows how to display global statistics related to WCCP:

```

Device# show ip wccp web-cache detail

WCCP Client information:
WCCP Client ID:      10.1.1.2
Protocol Version:    2.0
State:               Usable
Redirection:         L2
Packet Return:       L2
Packets Redirected:  0
Connect Time:        00:20:34
Assignment:          MASK
Mask SrcAddr  DstAddr  SrcPort DstPort

```

```

-----
0000: 0x00000000 0x00001741 0x0000 0x0000
Value SrcAddr  DstAddr  SrcPort  DstPort  CE-IP
-----
0000: 0x00000000 0x00000000 0x0000 0x0000 0x3C010102 (10.1.1.2)
0001: 0x00000000 0x00000001 0x0000 0x0000 0x3C010102 (10.1.1.2)
0002: 0x00000000 0x00000040 0x0000 0x0000 0x3C010102 (10.1.1.2)
0003: 0x00000000 0x00000041 0x0000 0x0000 0x3C010102 (10.1.1.2)
0004: 0x00000000 0x00000100 0x0000 0x0000 0x3C010102 (10.1.1.2)
0005: 0x00000000 0x00000101 0x0000 0x0000 0x3C010102 (10.1.1.2)
0006: 0x00000000 0x00000140 0x0000 0x0000 0x3C010102 (10.1.1.2)

```

For more information about the **show ip wccp web-cache** command, see the *Cisco IOS IP Application Services Command Reference*.

## Example: Enabling WCCP Interoperability with NAT

```

Router(config)# interface ethernet1 ! This is the LAN-facing interface
Router(config-if)# ip nat inside
Router(config-if)# ip wccp 61 redirect in
Router(config-if)# exit
Router(config)# interface ethernet2 ! This is the WAN-facing interface
Router(config-if)# ip nat outside
Router(config-if)# ip wccp 62 redirect in
Router(config-if)# exit
Router(config)# interface ethernet3 ! This is the WAAS-facing interface
Router(config-if)# ip nat inside
Router(config-if)# ip wccp redirect exclude in

```

## Additional References

### Related Documents

Related Topic	Document Title
Cisco IOS commands	<a href="#">Cisco IOS Master Commands List, All Releases</a>
Cisco ACNS software configuration information	<ul style="list-style-type: none"> <li>• <i>Cisco ACNS Software Caching Configuration Guide, Release 4.2</i></li> <li>• <a href="#">Cisco ACNS Software</a> listing page on Cisco.com</li> </ul>
IP access list overview, configuration tasks, and commands	<i>Cisco IOS Security Command Reference</i>
IP addressing and services commands and configuration tasks	<ul style="list-style-type: none"> <li>• <i>Cisco IOS IP Addressing Services Configuration Guide</i></li> <li>• <i>Cisco IOS IP Addressing Services Command Reference</i></li> </ul>

Related Topic	Document Title
WCCP commands: complete command syntax, command mode, command history, defaults, usage guidelines, and examples	<i>Cisco IOS IP Application Services Command Reference</i>

### Standards

Standard	Title
No new or modified standards are supported, and support for existing standards has not been modified.	—

### MIBs

MIB	MIBs Link
No new or modified MIBs are supported, and support for existing MIBs has not been modified.	To locate and download MIBs for selected platforms, Cisco software releases, and feature sets, use Cisco MIB Locator found at the following URL:  <a href="http://www.cisco.com/go/mibs">http://www.cisco.com/go/mibs</a>

### RFCs

RFC	Title
No new or modified RFCs are supported, and support for existing RFCs has not been modified.	—

### Technical Assistance

Description	Link
The Cisco Support and Documentation website provides online resources to download documentation, software, and tools. Use these resources to install and configure the software and to troubleshoot and resolve technical issues with Cisco products and technologies. Access to most tools on the Cisco Support and Documentation website requires a Cisco.com user ID and password.	<a href="http://www.cisco.com/cisco/web/support/index.html">http://www.cisco.com/cisco/web/support/index.html</a>

# Feature Information for WCCP

Table 7: Feature Information for WCCP

Feature Name	Releases	Feature Information
WCCP Bypass Counters	Cisco IOS XE Release 2.2	The WCCP Bypass Counters feature allows you to display a count of packets that have been bypassed by a web cache and returned to the originating router to be forwarded normally.  The <b>show ip wccp</b> command was modified by this feature.
WCCP: Check Services All	Cisco IOS XE Release 3.1S	The WCCP: Check Services All feature enables you to configure WCCP to search all service groups and redirect ACLs in priority order for a match.  The following command was modified by this feature: <b>ip wccp check services all</b>
WCCP Closed Services	Cisco IOS XE Release 3.1S	The WCCP Closed Services feature permits WCCP services to be configured so that WCCP always intercepts traffic for such services but, if no WCCP client (such as a content engine) has registered to receive this traffic, packets are discarded.  This behavior supports Application-Oriented Network Services (AONS) applications, which require traffic to be transparently intercepted using WCCP but do not want the packets to be forwarded to their destination if the WCCP client is unavailable to perform its processing. (This is contrary to the traditional use of WCCP to assist caches where the absence of a cache does not change the behavior as observed by the user.)  The following command was modified by this feature: <b>ip wccp</b> .
WCCP—Configurable Router ID	Cisco IOS XE Release 3.1S	The WCCP—Configurable Router ID feature permits the router ID which WCCP uses to be configurable, rather than relying on the router's selection mechanism.  The following command was modified by this feature: <b>ip wccp source-interface</b> .
WCCP Egress Redirection Support	Cisco IOS XE Release 3.1S	The WCCP Egress Redirection Support feature enables WCCP based redirection applied to the outbound traffic on the outbound interface.  The following command was modified by this feature: <b>ip wccp redirect</b> .
WCCP Exclude Interface	Cisco IOS XE Release 3.1S	The WCCP Exclude Interface feature enables you to configure an interface to exclude packets received on an interface from being checked for redirection by configuring.  The following command was introduced by this feature: <b>ip wccp redirect exclude in</b>



Feature Name	Releases	Feature Information
WCCP Fast Timers	Cisco IOS XE Release 3.1S	<p>The WCCP Fast Timers feature enables WCCP to establish redirection more quickly when a WCCP client is added to a service group or when a WCCP client fails.</p> <p>The following command was modified by this feature: <b>show ip wccp</b>.</p>
WCCP Group List	Cisco IOS XE Release 3.1S	<p>The WCCP Group List feature enables you to configure the IP addresses of cache engines from which a router accepts packets. Configuring a group list is used to validate the protocol packets received from the cache engine.</p> <p>Packets matching the address in a configured group-list are processed, others are discarded.</p> <p>The following command was modified by this feature: <b>ip wccp</b>.</p>
WCCP—Group Listen and Multicast Service Support	Cisco IOS XE Release 3.1S	<p>The WCCP--Group Listen and Multicast Service Support feature adds the ability to configure a multicast address per service group for sending and receiving protocol messages. In the multicast address method, the cache engine sends a single-address notification that provides coverage for all routers in the service group.</p> <p>The following command was modified by this feature: <b>ip wccp group-listen</b>.</p>
WCCP Increased Services	Cisco IOS XE Release 3.1S	<p>The WCCP Increased Services feature increases the number of services supported by WCCP to a maximum of 256 across all VRFs.</p> <p>The following commands were modified by this feature: <b>ip wccp</b>, <b>ip wccp check services all</b>, <b>ip wccp outbound-acl-check</b>, <b>show ip wccp</b>.</p>
WCCP Layer 2 Redirection/Forwarding	Cisco IOS XE Release 2.2	<p>The WCCP Layer 2 Redirection/Forwarding feature allows directly connected Cisco content engines to use Layer 2 redirection, which is more efficient than Layer 3 redirection via GRE encapsulation. You can configure a directly connected Cache Engine to negotiate use of the WCCP Layer 2 Redirection/Forwarding feature. The WCCP Layer 2 Redirection/Forwarding feature requires no configuration on the router or switch.</p> <p>There are no new or modified commands associated with this feature.</p>
WCCP L2 Return	Cisco IOS XE Release 2.2	<p>The WCCP L2 Return feature allows content engines to return packets to WCCP routers directly connected at Layer 2 by swapping the source and destination MAC addresses rather than tunneling packets back to the router inside a Layer 3 GRE tunnel.</p> <p>There are no new or modified commands associated with this feature.</p>

Feature Name	Releases	Feature Information
WCCP Mask Assignment	Cisco IOS XE Release 2.2	<p>The WCCP Mask Assignment feature introduces support for ACNS/WAAS devices using mask assignment as a cache engine assignment method.</p> <p>There are no new or modified commands associated with this feature.</p>
WCCP Outbound ACL Check	Cisco IOS XE Release 3.1S	<p>The WCCP Outbound ACL Check feature enables you to ensure that traffic redirected by WCCP at an input interface is subjected to the outbound ACL checks that may be configured on the output interface prior to redirection.</p> <p>This feature is supported by Web Cache Communication Protocol (WCCP) Version 1 and Version 2.</p> <p>The following commands were introduced or modified by this feature: <b>ip wccp</b>, <b>ip wccp check acl outbound</b>.</p>
WCCP Redirection on Inbound Interfaces	Cisco IOS XE Release 2.2 Cisco IOS XE Release 3.0S	<p>The WCCP Redirection on Inbound Interfaces feature enables interfaces to be configured for input redirection for a particular WCCP service. When this feature is enabled on an interface, all packets arriving at that interface are compared against the specified WCCP service. If the packets match, they will be redirected.</p> <p>The following commands were introduced or modified by this feature: <b>ip wccp redirect-list</b>.</p>
WCCP Version 2	Cisco IOS XE Release 2.2	<p>The WCCP Version 2 feature provides several enhancements and features to the WCCP protocol, including:</p> <ul style="list-style-type: none"> <li>• The ability of multiple routers to service a content engine cluster.</li> <li>• Redirection of traffic other than HTTP (TCP port 80 traffic), including a variety of UDP and TCP traffic.</li> <li>• Optional authentication that enables you to control which routers and content engines become part of the service group using passwords and the HMAC MD5 standard.</li> <li>• A check on packets that determines which requests have been returned from the content engine unserved.</li> <li>• Load adjustments for individual content engines to provide an effective use of the available resources while helping to ensure high quality of service (QoS) to the clients.</li> </ul> <p>The following commands were introduced or modified by this feature: <b>clear ip wccp</b>, <b>ip wccp</b>, <b>ip wccp group-listen</b>, <b>ip wccp redirect</b>, <b>ip wccp redirect exclude in</b>, <b>ip wccp version</b>, <b>show ip wccp</b>.</p>

Feature Name	Releases	Feature Information
WCCP VRF Support	Cisco IOS XE Release 3.1S	<p>The WCCP VRF Support feature provides enhancements to the existing WCCPv2 protocol which support VRF awareness.</p> <p>In Cisco IOS Release 12.2(33)SRE, this feature is supported only on Cisco 7200 NPE-G2 and Cisco 7304-NPE-G100 routers.</p> <p>The following commands were introduced or modified by this feature: <b>clear ip wccp</b>, <b>debug ip wccp</b>, <b>ip wccp</b>, <b>ip wccp group-listen</b>, <b>ip wccp redirect</b>, <b>show ip wccp</b>.</p>





## CHAPTER 8

# WCCP—Configurable Router ID

The WCCP—Configurable Router ID feature enables the configuration of a Web Cache Communication Protocol (WCCP) source interface. The IP address of this configured source interface is then used as the preferred WCCP router ID and WCCP GRE source address. When a WCCP router ID is manually configured, router IDs are no longer automatically generated when the current router ID is no longer valid and the router ID does not change when another IP address is added to the system.

- [Finding Feature Information, on page 123](#)
- [Restrictions for WCCP—Configurable Router ID, on page 123](#)
- [Information About WCCP—Configurable Router ID, on page 124](#)
- [How to Configure WCCP—Configurable Router ID, on page 124](#)
- [Configuration Examples for WCCP—Configurable Router ID, on page 125](#)
- [Additional References for WCCP—Configurable Router ID, on page 125](#)
- [Feature Information for WCCP—Configurable Router ID, on page 126](#)

## Finding Feature Information

Your software release may not support all the features documented in this module. For the latest caveats and feature information, see [Bug Search Tool](#) and the release notes for your platform and software release. To find information about the features documented in this module, and to see a list of the releases in which each feature is supported, see the feature information table.

Use Cisco Feature Navigator to find information about platform support and Cisco software image support. To access Cisco Feature Navigator, go to [www.cisco.com/go/cfn](http://www.cisco.com/go/cfn). An account on Cisco.com is not required.

## Restrictions for WCCP—Configurable Router ID

The following restriction apply to this feature:

- Do not configure the Web Cache Control Protocol (WCCP) router ID as the tunnel source, if multipoint generic routing encapsulation (GRE) tunnels are configured on a router, because this configuration may cause the traffic over this tunnel to fail.

# Information About WCCP—Configurable Router ID

## WCCP—Configurable Router ID Overview

WCCP uses a router ID in its control messages that a WCCP client can use to uniquely identify a particular WCCP server. The router ID is an IP address and is used as the source address of any WCCP-generated Generic Routing Encapsulation (GRE) frames. Prior to the WCCP—Configurable Router ID feature, WCCP selected a router ID using an automatic mechanism; the highest reachable IP address on the system (or the highest loopback IP address, if there is one) was used as the WCCP router ID. The highest IP address on the system is not always the best choice as the router ID or as the source address of GRE frames. A change in addressing information on the system may cause the WCCP router ID to change unexpectedly. During this changeover period, WCCP clients briefly advertise the existence of two routers (the old router ID and the new router ID) and GRE frames are sourced from a different address.

The WCCP—Configurable Router ID feature enables you to define a WCCP source interface from which the router ID will be obtained. The IP address of this configured source interface is then used as the preferred WCCP router ID and WCCP GRE source address. When a WCCP router ID is manually configured, the router ID does not change when another IP address is added to the system. The router ID changes only when a new router ID is manually configured using the `ip wccp source-interface` or the `ipv6 wccp source-interface` command, or when the address on the manually configured interface is no longer valid.

## How to Configure WCCP—Configurable Router ID

### Configuring a Preferred WCCP Router ID

#### SUMMARY STEPS

1. `enable`
2. `configure terminal`
3. `ip wccp [vrf vrf-name] source-interface source-interface`
4. `exit`

#### DETAILED STEPS

	Command or Action	Purpose
Step 1	<code>enable</code> <b>Example:</b> Device> <code>enable</code>	Enables privileged EXEC mode. <ul style="list-style-type: none"> <li>• Enter your password if prompted.</li> </ul>
Step 2	<code>configure terminal</code> <b>Example:</b> Device# <code>configure terminal</code>	Enters global configuration mode.

	Command or Action	Purpose
Step 3	<b>ip wccp [vrf vrf-name] source-interface source-interface</b> <b>Example:</b> <pre>Device(config)# ip wccp source-interface GigabitEthernet 0/0/0</pre>	Configures a preferred WCCP router ID.
Step 4	<b>exit</b> <b>Example:</b> <pre>Device(config)# exit</pre>	Exits global configuration mode and returns to privileged EXEC mode.

## Configuration Examples for WCCP—Configurable Router ID

### Example: Configuring a Preferred WCCP Router ID

The following example displays the configuration for a preferred WCCP router ID:

```
! Configure a preferred WCCP router ID
ip wccp source-interface GigabitEthernet 0/0/0
```

## Additional References for WCCP—Configurable Router ID

### Related Documents

Related Topic	Document Title
Cisco IOS commands	<a href="#">Cisco IOS Master Commands List, All Releases</a>
WCCP commands	<a href="#">Cisco IOS IP Application Services Command Reference</a>
Currently assigned IP multicast addresses	<i>Internet Multicast Addresses</i> <a href="http://www.iana.org/assignments/multicast-addresses">http://www.iana.org/assignments/multicast-addresses</a>
Configuration fundamentals configuration tasks	<i>Cisco IOS Configuration Fundamentals Configuration Guide</i>
Configuration fundamentals commands	<i>Cisco IOS Configuration Fundamentals Command Reference</i>
Cisco IOS bridging and IBM networking configuration tasks	<i>Cisco IOS Bridging and IBM Networking Configuration Guide</i>
Cisco IOS bridging and IBM networking commands	<i>Cisco IOS Bridging and IBM Networking Command Reference</i>

Related Topic	Document Title
Cisco IOS IP multicast configuration tasks	<i>Cisco IOS IP Multicast Configuration Guide</i>
Cisco IOS IP Multicast commands	<i>Cisco IOS IP Multicast Command Reference</i>

### Standards

Standard	Title
IEEE Spanning-Tree Bridging	802.1D MAC Bridges <a href="http://www.ieee802.org/1/pages/802.1D-2003.html">http://www.ieee802.org/1/pages/802.1D-2003.html</a>

### MIBs

MIB	MIBs Link
—	No new or modified MIBs are supported, and support for existing MIBs has not been modified.

### RFCs

RFC	Title
RFC 1812	<i>Requirements for IP Version 4 Routers</i> <a href="http://www.ietf.org/rfc/rfc1812.txt">http://www.ietf.org/rfc/rfc1812.txt</a>
RFC 2131	<i>Dynamic Host Configuration Protocol</i> <a href="http://www.ietf.org/rfc/rfc2131.txt">http://www.ietf.org/rfc/rfc2131.txt</a>

### Technical Assistance

Description	Link
The Cisco Support and Documentation website provides online resources to download documentation, software, and tools. Use these resources to install and configure the software and to troubleshoot and resolve technical issues with Cisco products and technologies. Access to most tools on the Cisco Support and Documentation website requires a Cisco.com user ID and password.	<a href="http://www.cisco.com/cisco/web/support/index.html">http://www.cisco.com/cisco/web/support/index.html</a>

## Feature Information for WCCP—Configurable Router ID

The following table provides release information about the feature or features described in this module. This table lists only the software release that introduced support for a given feature in a given software release train. Unless noted otherwise, subsequent releases of that software release train also support that feature.

Use Cisco Feature Navigator to find information about platform support and Cisco software image support. To access Cisco Feature Navigator, go to [www.cisco.com/go/cfn](http://www.cisco.com/go/cfn). An account on Cisco.com is not required.





## CHAPTER 9

# WCCPv2—IPv6 Support

This feature introduces support for Web Cache Communication Protocol version 2 (WCCPv2) in an IPv6 environment.

WCCP is a Cisco-developed content-routing technology that intercepts IP packets and redirects those packets to a destination other than that specified in the IP packet. Typically the packets are redirected from their destination web server on the Internet to a content engine that is local to the client. In some WCCP deployment scenarios, redirection of traffic may also be required from the web server to the client. WCCP enables you to integrate content engines into your network infrastructure.

Multiple routers can use WCCPv2 to service a content engine cluster. In WCCPv1, only one router can redirect content requests to a cluster.

- [Finding Feature Information, on page 127](#)
- [Prerequisites for WCCPv2—IPv6 Support, on page 127](#)
- [Restrictions for WCCPv2—IPv6 Support, on page 128](#)
- [Information About WCCPv2—IPv6 Support, on page 128](#)
- [How to Configure WCCPv2—IPv6 Support, on page 138](#)
- [Configuration Examples for WCCPv2—IPv6 Support, on page 147](#)
- [Additional References, on page 152](#)
- [Feature Information for WCCPv2—IPv6 Support, on page 153](#)

## Finding Feature Information

Your software release may not support all the features documented in this module. For the latest caveats and feature information, see [Bug Search Tool](#) and the release notes for your platform and software release. To find information about the features documented in this module, and to see a list of the releases in which each feature is supported, see the feature information table.

Use Cisco Feature Navigator to find information about platform support and Cisco software image support. To access Cisco Feature Navigator, go to [www.cisco.com/go/cfn](http://www.cisco.com/go/cfn). An account on Cisco.com is not required.

## Prerequisites for WCCPv2—IPv6 Support

- IPv6 must be configured on the interface used for redirection and on the interface facing the content engine.

- The interface connected to the content engine must be a Fast Ethernet or Gigabit Ethernet interface.

## Restrictions for WCCPv2—IPv6 Support

### WCCPv2

- For routers servicing a multicast cluster, the Time To Live (TTL) value must be set at 15 or lower.
- Service groups can comprise up to 32 content engines and 32 routers.
- All content engines in a cluster must be configured to communicate with all routers servicing the cluster.
- Multicast addresses must be in the range from 224.0.0.0 to 239.255.255.255.

### Layer 2 Forwarding and Return

- Layer 2 redirection requires that content engines be directly connected to an interface on each WCCP router. Unless multicast IP addresses are used, WCCP configuration of the content engine must reference the directly connected interface IP address of the WCCP router and not a loopback IP address or any other IP address configured on the WCCP router.

## Information About WCCPv2—IPv6 Support

### WCCP Overview

WCCP uses Cisco Content Engines (or other content engines running WCCP) to localize traffic patterns in the network, enabling content requests to be fulfilled locally. Traffic localization reduces transmission costs and download time.

WCCP enables routing platforms to transparently redirect content requests. With transparent redirection, users can fulfill content requests locally without configuring their browsers to use a web proxy. Instead, they can use the target URL to request content, and have their requests automatically redirected to a content engine. The word "transparent" in this case means that the end user does not know that a requested file (such as a web page) came from the content engine instead of from the originally specified server.

A content engine receiving a request attempts to service it from its own local cache. If the requested information is not present, the content engine issues its own request to the originally targeted server to get the required information. A content engine retrieving the requested information forwards it to the requesting client and caches it to fulfill future requests, thus maximizing download performance and substantially reducing transmission costs.

WCCP enables a series of content engines, called a content engine cluster, to provide content to a router or multiple routers. Network administrators can easily scale their content engines to manage heavy traffic loads through these clustering capabilities. Cisco clustering technology enables each cluster member to work in parallel, resulting in linear scalability. Clustering content engines greatly improves the scalability, redundancy, and availability of your caching solution. You can cluster up to 32 content engines to scale to your desired capacity.

## Layer 2 Forwarding Redirection and Return

WCCP uses either generic routing encapsulation (GRE) or Layer 2 (L2) to redirect or return IP traffic. When WCCP forwards traffic via GRE, the redirected packets are encapsulated within a GRE header. The packets also have a WCCP redirect header. When WCCP forwards traffic using L2, the original MAC header of the IP packet is overwritten and replaced with the MAC header for the WCCP client.

Using L2 as a forwarding method allows direct forwarding to the content engine without further lookup. Layer 2 redirection requires that the router and content engines are directly connected, that is, on the same IP subnetwork.

When WCCP returns traffic via GRE, the returned packets are encapsulated within a GRE header. The destination IP address is the address of the router and the source address is the address of the WCCP client. When WCCP returns traffic via L2, the original IP packet is returned without any added header information. The router to which the packet is returned will recognize the source of the packet and prevent redirection.

The WCCP redirection method does not have to match the return method.

L2 forwarding, return, or redirection are typically used for hardware-accelerated platforms. Depending on your release, L2 forwarding, return, and redirection can also be used for software-switching platforms.

For content engines running Application and Content Networking System (ACNS) software, use the **wccp custom-web-cache** command with the **l2-redirect** keyword to configure L2 redirection. For content engines running Cisco Wide Area Application Services (WAAS) software, use the **wccp tcp-promiscuous** command with the **l2-redirect** keyword to configure L2 redirection.



---

**Note** Before configuring a GRE tunnel, configure a loopback interface (that is not attached to a VRF) with an IP address so that the internally created tunnel interface is enabled for IPv4 forwarding by unnumbering itself to this dummy loopback interface. You do not need to configure a loopback interface if the system has at least one interface that is not attached to a VRF and that is configured with an IPv4 address.

---

For information about Cisco ACNS commands used to configure Cisco Content Engines, see the [Cisco ACNS Software Command Reference](#).

For more information about WAAS commands used to configure Cisco Content Engines, see the [Cisco Wide Area Application Services Command Reference](#).

## WCCP Mask Assignment

The WCCP Mask Assignment feature enables mask assignment as the load-balancing method (instead of the default hash assignment method) for a WCCP service.

For content engines running Application and Content Networking System (ACNS) software, use the **wccp custom-web-cache** command with the **mask-assign** keyword to configure mask assignment. For content engines running Cisco Wide Area Application Services (WAAS) software, use the **wccp tcp-promiscuous** command with the **mask-assign** keyword to configure mask assignment.

For information about Cisco ACNS commands used to configure Cisco Content Engines, see the [Cisco ACNS Software Command Reference](#).

For more information about WAAS commands used to configure Cisco Content Engines, see the [Cisco Wide Area Application Services Command Reference](#).

## WCCP Hash Assignment

The Cisco ASR 1000 Series Aggregation Services Routers support hash assignment for IPv6 load balance across different content engines, but does not support mask assignment. However, it supports both hash assignment and mask assignment for IPv4.

For content engines running the Cisco Application and Content Networking System (ACNS) software, use the **wccp custom-web-cache** command with the **hash-assign** keyword to configure hash assignment. For content engines running Cisco Wide Area Application Services (WAAS) software, use the **wccp tcp-promiscuous** command with the **hash-assign** keyword to configure hash assignment.

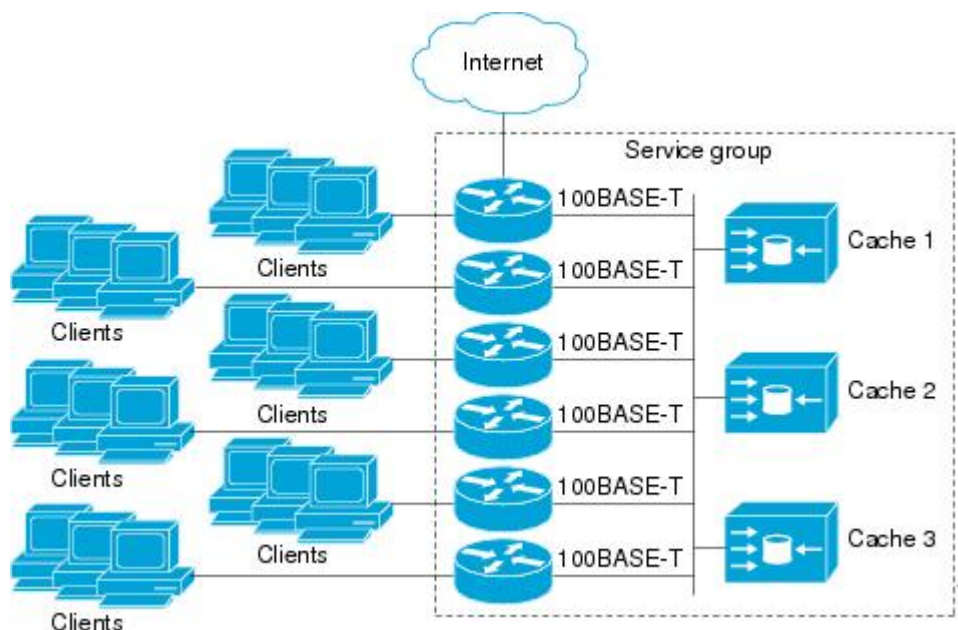
For information about Cisco ACNS commands used to configure Cisco Content Engines, see the [Cisco ACNS Software Command Reference](#).

For more information about WAAS commands used to configure Cisco Content Engines, see the [Cisco Wide Area Application Services Command Reference](#).

## WCCPv2 Configuration

Multiple routers can use WCCPv2 to service a content engine cluster. In WCCPv1, only one router could redirect content requests to a cluster. The figure below illustrates a sample configuration using multiple routers.

*Figure 7: Cisco Content Engine Network Configuration Using WCCPv2*



The subset of content engines within a cluster and routers connected to the cluster that are running the same service is known as a service group. Available services include TCP and UDP redirection.

In WCCPv1, the content engines were configured with the address of the single router. WCCPv2 requires that each content engine be aware of all the routers in the service group. To specify the addresses of all the routers in a service group, you must choose one of the following methods:

- Unicast—A list of router addresses for each of the routers in the group is configured on each content engine. In this case the address of each router in the group must be explicitly specified for each content engine during configuration.
- Multicast—A single multicast address is configured on each content engine. In the multicast address method, the content engine sends a single-address notification that provides coverage for all routers in the service group. For example, a content engine could indicate that packets should be sent to a multicast address of 224.0.0.100, which would send a multicast packet to all routers in the service group configured for group listening using WCCP (see the **ip wccp group-listen** or the **ipv6 wccp group-listen** interface configuration command for details).

The multicast option is easier to configure because you need only specify a single address on each content engine. This option also allows you to add and remove routers from a service group dynamically, without needing to reconfigure the content engines with a different list of addresses each time.

The following sequence of events details how WCCPv2 configuration works:

1. Each content engine is configured with a list of routers.
2. Each content engine announces its presence and a list of all routers with which it has established communications. The routers reply with their view (list) of content engines in the group.
3. When the view is consistent across all content engines in the cluster, one content engine is designated as the lead and sets the policy that the routers need to deploy in redirecting packets.

## WCCPv2 Support for Services Other Than HTTP

WCCPv2 allows redirection of traffic other than HTTP (TCP port 80 traffic), including a variety of UDP and TCP traffic. WCCPv2 supports the redirection of packets intended for other ports, including those used for proxy-web cache handling, File Transfer Protocol (FTP) caching, FTP proxy handling, web caching for ports other than 80, and Real Audio, video, and telephony applications.

To accommodate the various types of services available, WCCPv2 introduced the concept of multiple *service groups*. Service information is specified in the WCCP configuration commands using dynamic services identification numbers (such as 98) or a predefined service keyword (such as **web-cache**). This information is used to validate that service group members are all using or providing the same service.

The content engines in a service group specify traffic to be redirected by protocol (TCP or UDP) and up to eight source or destination ports. Each service group has a priority status assigned to it. The priority of a dynamic service is assigned by the content engine. The priority value is in the range of 0 to 255 where 0 is the lowest priority. The predefined web-cache service has an assigned priority of 240.

## WCCPv2 Support for Multiple Routers

WCCPv2 allows multiple routers to be attached to a cluster of cache engines. The use of multiple routers in a service group allows for redundancy, interface aggregation, and distribution of the redirection load. WCCPv2 supports up to 32 routers per service group. Each service group is established and maintained independently.

## WCCPv2 MD5 Security

WCCPv2 provides optional authentication that enables you to control which routers and content engines become part of the service group using passwords and the Hashed Message Authentication Code—Message

Digest (HMAC MD5) standard. Shared-secret MD5 one-time authentication (set using the `ip wccp [password [0 | 7] password]` global configuration command) enables messages to be protected against interception, inspection, and replay.

## WCCPv2 Web Cache Packet Return

If a content engine is unable to provide a requested object it has cached due to error or overload, the content engine will return the request to the router for onward transmission to the originally specified destination server. WCCPv2 provides a check on packets that determines which requests have been returned from the content engine unserved. Using this information, the router can then forward the request to the originally targeted server (rather than attempting to resend the request to the content engine cluster). This process provides error handling transparency to clients.

Typical reasons why a content engine would reject packets and initiate the packet return feature include the following:

- Instances when the content engine is overloaded and has no room to service the packets
- Instances when the content engine is filtering for certain conditions that make caching packets counterproductive (for example, when IP authentication has been turned on)

## WCCPv2 Load Distribution

WCCPv2 can be used to adjust the load being offered to individual content engines to provide an effective use of the available resources while helping to ensure high quality of service (QoS) to the clients. WCCPv2 allows the designated content engine to adjust the load on a particular content engine and balance the load across the content engines in a cluster. WCCPv2 uses three techniques to perform load distribution:

- Hot spot handling—Allows an individual hash bucket to be distributed across all the content engines. Prior to WCCPv2, information from one hash bucket could go to only one content engine.
- Load balancing—Allows the set of hash buckets assigned to a content engine to be adjusted so that the load can be shifted from an overwhelmed content engine to other members that have available capacity.
- Load shedding—Enables the router to selectively redirect the load to avoid exceeding the capacity of a content engine.

The use of these hashing parameters prevents one content engine from being overloaded and reduces the potential for bottlenecking.

## WCCP VRF Support

The WCCP VRF Support feature enhances the WCCPv2 protocol by implementing support for virtual routing and forwarding (VRF).

The WCCP VRF Support feature allows service groups to be configured on a per-VRF basis in addition to those defined globally.

Along with the service identifier, the VRF of WCCP protocol packets arriving at the router is used to associate cache-engines with a configured service group.

The same VRF must have the interface on which redirection is applied, the interface which is connected to cache engine, and the interface on which the packet would have left if it had not been redirected.

## IPv6 WCCP Tunnel Interface

The use of GRE redirection results in the creation of new tunnel interfaces. You can display these tunnel interfaces by entering the **show ipv6 interface brief | include tunnel** command:

```
Device# show ipv6 interface brief | include tunnel

Tunnel0          2001::DB8:1::1    YES unset up
Tunnel1          2001::DB8:1::1    YES unset up
Tunnel2          2001::DB8:1::1    YES unset up
Tunnel3          2001::DB8:1::1    YES unset up
Device#
```

The tunnel interfaces are automatically created in order to process outgoing GRE-encapsulated traffic for WCCP. The tunnel interfaces appear when a content engine connects and requests GRE redirection. The tunnel interfaces are not created directly by WCCP, but are created indirectly via a tunnel application programming interface (API). WCCP does not have direct knowledge of the tunnel interfaces, but can redirect packets to them, resulting in the appropriate encapsulation being applied to the packets. After the appropriate encapsulation is applied, the packet is then sent to the content engine.



**Note** The tunnel interfaces are not used to connect with incoming WCCP GRE return packets.

One tunnel is created for each service group that is using GRE redirection. One additional tunnel is created to provide an IP address that allows the other tunnel group interfaces to be unnumbered but still enabled for IPv6.

You can confirm the connection between the tunnels and WCCP by entering the **show tunnel groups wccp** command:

```
Device# show tunnel groups wccp

WCCP : service group 0 in "Default", ver v2, assgnmnt: hash-table
      intf: Tunnel0, locally sourced
WCCP : service group 317 in "Default", ver v2, assgnmnt: hash-table
      intf: Tunnel3, locally sourced
WCCP : service group 318 in "Default", ver v2, assgnmnt: hash-table
      intf: Tunnel2, locally sourced
```

You can display additional information about each tunnel interface by entering the **show tunnel interface interface-number** command:

```
Device# show tunnel interface t0

Tunnel0
  Mode:multi-GRE/IP, Destination UNKNOWN, Source 2001::DB8:1::2
  Application ID 2: WCCP : service group 0 in "Default", ver v2, assgnmnt: hash-table
  Linestate - current up
  Internal linestate - current up, evaluated up

Device# show tunnel interface t1

Tunnel1
  Mode:multi-GRE/IP, Destination UNKNOWN, Source 2001::DB8:1::1
  Application ID 2: unspecified
  Linestate - current up
  Internal linestate - current up, evaluated up
```

```
Device# show tunnel interface t2
```

```
Tunnel2
  Mode:multi-GRE/IP, Destination UNKNOWN, Source 2001::DB8:1::1
  Application ID 2: WCCP : service group 318 in "Default", ver v2, assgnmnt: hash-table
  Linestate - current up
  Internal linestate - current up, evaluated up
```

```
Device# show tunnel interface t3
```

```
Tunnel3
  Mode:multi-GRE/IP, Destination UNKNOWN, Source 2001::DB8:1::1
  Application ID 2: WCCP : service group 317 in "Default", ver v2, assgnmnt: hash-table
  Linestate - current up
  Internal linestate - current up, evaluated up
Device#
```

Note that the service group number shown in the examples is the internal tunnel representation of the WCCP service group number. Group 0 is the web-cache service. To determine the dynamic services, subtract 256 from the displayed service group number to convert to the WCCP service group number. For interfaces that are used for redirection, the source address shown is the WCCP router ID.

You can display information about the connected content engines and encapsulation, including software packet counters, by entering the **show adjacency** *[tunnel-interface]* **[encapsulation]** **[detail]** **[internal]** command:

```
Device# show adjacency t0
```

```
Protocol Interface          Address
IP          Tunnel0         2001::DB8:1::1(3)
```

```
Device# show adjacency t0 encapsulation
```

```
Protocol Interface          Address
IPV6          Tunnell       2001:DB8:1::11(2)
  Encap length 48
  60000000000002FFF20010DB801000000
  000000000000000120010DB800010000
  00000000000000110000883E00000000
  Provider: TUNNEL
IPV6          Tunnell       2001:DB8:1::12(2)
  Encap length 48
  60000000000002FFF20010DB801000000
  000000000000000120010DB800010000
  000000000000000120000883E000000000
  Provider: TUNNEL
```

```
Device# show adjacency t0 detail
```

```
Protocol Interface          Address
IPV6          Tunnell       2001:DB8:1::11(2)
                                0 packets, 0 bytes
                                epoch 0
                                sourced in sev-epoch 22
                                Encap length 48
                                60000000000002FFF20010DB801000000
                                000000000000000120010DB800010000
                                000000000000000110000883E000000000
                                Tun endpt
                                Next chain element:
                                punt
```

```
Device# show adjacency t0 internal
```



```

Protocol Interface Address
IPV6      Tunnell 2001:DB8:1::11 (2)
          0 packets, 0 bytes
          epoch 0
          sourced in sev-epoch 22
          Encap length 48
          6000000000002FFF20010DB801000000
          000000000000000120010DB800010000
          00000000000000110000883E00000000
          Tun endpt
          Next chain element:
            punt
            parent oce 0x68C55B00
            frame originated locally (Null0)
          L3 mtu 0
          Flags (0x2808C6)
          Fixup disabled
          HWIDB/IDB pointers 0x200900DC/0x20090D98
          IP redirect disabled
          Switching vector: IPv6 midchain adjacency oce
          Next-hop cannot be inferred
          IP Tunnel stack to 2001:DB8:1::11 in Default (0x0)

Device#

```

## WCCP Bypass Packets

WCCP intercepts IP packets and redirects those packets to a destination other than the destination that is specified in the IP header. Typically the packets are redirected from a web server on the Internet to a web cache that is local to the destination.

Occasionally a web cache cannot manage the redirected packets appropriately and returns the packets unchanged to the originating router. These packets are called bypass packets and are returned to the originating router using either Layer 2 forwarding without encapsulation (L2) or encapsulated in generic routing encapsulation (GRE). The router decapsulates and forwards the packets normally. The VRF associated with the ingress interface (or the global table if there is no VRF associated) is used to route the packet to the destination.

GRE is a tunneling protocol developed by Cisco that encapsulates packet types from a variety of protocols inside IP tunnels, creating a virtual point-to-point link over an IP network.

## WCCP Closed Services and Open Services

In applications where packets are intercepted and redirected by a Cisco IOS router to external WCCP client devices, it may be necessary to block the packets for the application when a WCCP client device is not available. This blocking is achieved by configuring a WCCP closed service. When a WCCP service is configured as closed, the packets that fulfill the services, but do not have an active client device, are discarded.

By default, WCCP operates as an open service, wherein communication between clients and servers proceeds normally in the absence of an intermediary device.

The **ip wccp service-list** or the **ipv6 wccp service-list** command can be used for both closed-mode and open-mode services. Use the **service-list** keyword and *service-access-list* argument to register an application protocol type or port number. Use the **mode** keyword to select an open or closed service.

## WCCP Outbound ACL Check

When WCCP is enabled for redirection on an ingress interface, the packets are redirected by WCCP and instead egress on an interface other than the destination that is specified in the IP header. The packets are still subject to ACLs configured on the ingress interface. However, redirection can cause the packets to bypass the ACL configured on the original egress interface. Packets that would have been dropped because of the ACL configured on the original egress interface can be sent out on the redirect egress interface, which poses a possible security problem. Enabling the WCCP Outbound ACL check feature ensures that redirected packets are subject to any ACL conditions configured on the original egress interface.

## WCCP Service Groups

WCCP is a component of Cisco IOS software that redirects traffic with defined characteristics from its original destination to an alternative destination. The typical application of WCCP is to redirect traffic bound for a remote web server to a local web cache to improve response time and optimize network resource usage.

The nature of the selected traffic for redirection is defined by service groups (see figure below) specified on content engines and communicated to routers by using WCCP. The maximum number of service groups allowed across all VRFs is 256.

WCCPv2 supports up to 32 routers per service group. Each service group is established and maintained independently.

WCCPv2 uses service groups based on logical redirection services, deployed for intercepting and redirecting traffic. The standard service is web cache, which intercepts TCP port 80 (HTTP) traffic and redirects that traffic to the content engines. This service is referred to as a *well-known service*, because the characteristics of the web cache service are known by both the router and content engines. A description of a well-known service is not required beyond a service identification. To specify the standard web cache service, use the **ip wccp** or the **ipv6 wccp** command with the **web-cache** keyword.

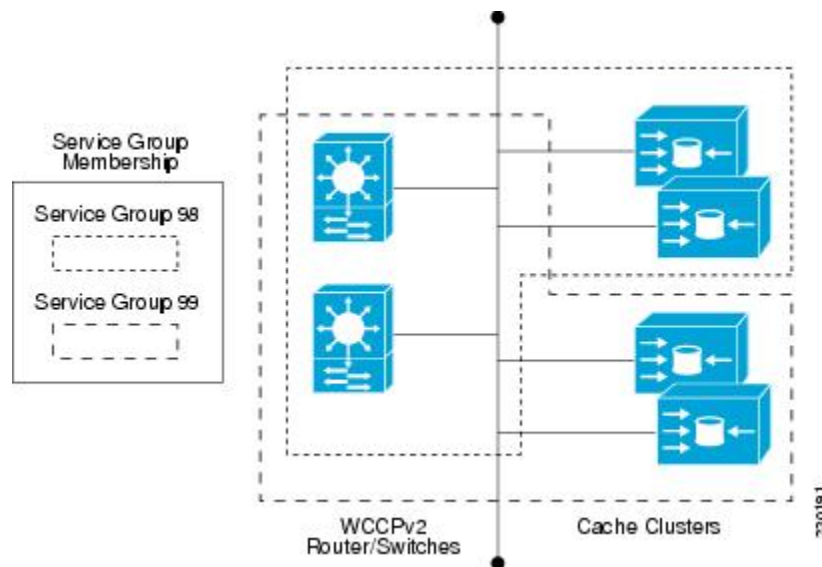


---

**Note** More than one service can run on a router at the same time, and routers and content engines can be part of multiple service groups at the same time.

---

Figure 8: WCCP Service Groups



The dynamic services are defined by the content engines; the content engine instructs the router which protocol or ports to intercept, and how to distribute the traffic. The router itself does not have information on the characteristics of the dynamic service group's traffic, because this information is provided by the first content engine to join the group. In a dynamic service, up to eight ports can be specified within a single protocol.

Cisco Content Engines, for example, use dynamic service 99 to specify a reverse-proxy service. However, other content engine devices may use this service number for some other service.

## WCCP—Check All Services

An interface may be configured with more than one WCCP service. When more than one WCCP service is configured on an interface, the precedence of a service depends on the relative priority of the service compared to the priority of the other configured services. Each WCCP service has a priority value as part of its definition. When an interface is configured with more than one WCCP service, the precedence of the packets is matched against service groups in priority order.



**Note** The priority of a WCCP service group cannot be configured via Cisco IOS software.

With the **ip wccp check services all** or the **ipv6 wccp check services all** command, WCCP can be configured to check all configured services for a match and perform redirection for those services if appropriate. The caches to which packets are redirected can be controlled by a redirect ACL and by the service priority. The **ip wccp check services all** commands must be configured at global level to support multiple WCCP services.

If no WCCP services are configured with a redirect ACL, the services are considered in priority order until a service is found that matches the IP packet. If no services match the packet, the packet is not redirected. If a service matches the packet and the service has a redirect ACL configured, then the IP packet will be checked against the ACL. If the packet is rejected by the ACL, the packet will not be passed down to lower priority services unless the **ip wccp check services all** or the **ipv6 wccp check services all** command is configured. When the **ip wccp check services all** or the **ipv6 wccp check services all** command is configured, WCCP

will continue to attempt to match the packet against any remaining lower priority services configured on the interface.

## WCCP—Configurable Router ID Overview

WCCP uses a router ID in its control messages that a WCCP client can use to uniquely identify a particular WCCP server. The router ID is an IP address and is used as the source address of any WCCP-generated Generic Routing Encapsulation (GRE) frames. Prior to the WCCP—Configurable Router ID feature, WCCP selected a router ID using an automatic mechanism; the highest reachable IP address on the system (or the highest loopback IP address, if there is one) was used as the WCCP router ID. The highest IP address on the system is not always the best choice as the router ID or as the source address of GRE frames. A change in addressing information on the system may cause the WCCP router ID to change unexpectedly. During this changeover period, WCCP clients briefly advertise the existence of two routers (the old router ID and the new router ID) and GRE frames are sourced from a different address.

The WCCP—Configurable Router ID feature enables you to define a WCCP source interface from which the router ID will be obtained. The IP address of this configured source interface is then used as the preferred WCCP router ID and WCCP GRE source address. When a WCCP router ID is manually configured, the router ID does not change when another IP address is added to the system. The router ID changes only when a new router ID is manually configured using the **ip wccp source- interface** or the **ipv6 wccp source- interface** command, or when the address on the manually configured interface is no longer valid.

## WCCP Troubleshooting Tips

CPU usage may be very high when WCCP is enabled. The WCCP counters enable a determination of the bypass traffic directly on the router and can indicate whether the cause is high CPU usage due to enablement of WCCP. In some situations, 10 percent bypass traffic may be normal; in other situations, 10 percent may be high. However, any figure above 25 percent should prompt a closer investigation of what is occurring in the web cache.

If the counters suggest that the level of bypass traffic is high, the next step is to examine the bypass counters in the content engine and determine why the content engine is choosing to bypass the traffic. You can log in to the content engine console and use the CLI to investigate further. The counters allow you to determine the percent of traffic being bypassed.

You can use the **clear ipv6 wccp service-id** command to remove the IPv6 WCCP statistics (counts) maintained on the router for a particular service.

You can use the **clear wccp** command to remove all (IPv4 and IPv6) WCCP statistics (counts) maintained on the router for a particular service.

You can use the **show ipv6 wccp** command to display the IPv6 WCCP global statistics (counts).

You can use the **show wccp** command to display all (IPv4 and IPv6) WCCP global statistics (counts).

## How to Configure WCCPv2—IPv6 Support

### Configuring a General WCCPv2—IPv6 Session

Perform this task to configure a general IPv6 WCCPv2 session.

Until you configure a WCCP service using the **ipv6 wccp {web-cache | service-number}** global configuration command, WCCP is disabled on the router. The first use of a form of the **ipv6 wccp** command enables WCCP. By default WCCPv2 is used for services.

Using the **ipv6 wccp web-cache password** command, you can set a password for a router and the content engines in a service group. MD5 password security requires that each router and content engine that wants to join a service group be configured with the service group password. The password can be up to eight characters in length. Each content engine or router in the service group will authenticate the security component in a received WCCP packet immediately after validating the WCCP message header. Packets failing authentication will be discarded.

## SUMMARY STEPS

1. **enable**
2. **configure terminal**
3. **ipv6 wccp [vrf vrf-name] source-interface source-interface**
4. **ipv6 wccp [vrf vrf-name] { web-cache | service-number} [group-address group-address] [redirect-list access-list] [ group-list access-list] [ password password [ 0 | 7 ] ]**
5. **interface type number**
6. **ipv6 wccp [vrf vrf-name] {web-cache | service-number} redirect {out | in}**
7. **exit**
8. **interface type number**
9. **ipv6 wccp redirect exclude in**

## DETAILED STEPS

	Command or Action	Purpose
Step 1	<b>enable</b> <b>Example:</b> Device> enable	Enables privileged EXEC mode. <ul style="list-style-type: none"> <li>• Enter your password if prompted.</li> </ul>
Step 2	<b>configure terminal</b> <b>Example:</b> Device# configure terminal	Enters global configuration mode.
Step 3	<b>ipv6 wccp [vrf vrf-name] source-interface source-interface</b> <b>Example:</b> Device(config)# ipv6 wccp source-interface GigabitEthernet 0/0/0	Configures a preferred WCCP router ID.
Step 4	<b>ipv6 wccp [vrf vrf-name] { web-cache   service-number} [group-address group-address] [redirect-list access-list] [ group-list access-list] [ password password [ 0   7 ] ]</b> <b>Example:</b>	Specifies a web-cache or dynamic service to enable on the router, specifies a VRF-name to associate with the service group, specifies the IP multicast address used by the service group, specifies any access lists to use, specifies whether to use MD5 authentication, and enables the WCCP service.

	Command or Action	Purpose
	Device(config)# ipv6 wccp web-cache password password1	
<b>Step 5</b>	<b>interface</b> <i>type number</i> <b>Example:</b> Device(config)# interface GigabitEthernet 0/0/0	Targets an interface number for which the web cache service will run, and enters interface configuration mode.
<b>Step 6</b>	<b>ipv6 wccp</b> [ <i>vrf vrf-name</i> ] { <b>web-cache</b>   <i>service-number</i> } <b>redirect</b> { <b>out</b>   <b>in</b> } <b>Example:</b> Device(config-if)# ipv6 wccp web-cache redirect in	Enables packet redirection on an outbound or inbound interface using WCCP. <ul style="list-style-type: none"> <li>As indicated by the <b>out</b> and <b>in</b> keyword options, redirection can be specified for outbound interfaces or inbound interfaces.</li> </ul>
<b>Step 7</b>	<b>exit</b> <b>Example:</b> Device(config-if)# exit	Exits interface configuration mode.
<b>Step 8</b>	<b>interface</b> <i>type number</i> <b>Example:</b> Device(config)# interface GigabitEthernet 0/2/0	Targets an interface number on which to exclude traffic for redirection, and enters interface configuration mode.
<b>Step 9</b>	<b>ipv6 wccp redirect exclude in</b> <b>Example:</b> î Device(config-if)# ipv6 wccp redirect exclude in	(Optional) Excludes traffic on the specified interface from redirection.

## Configuring Services for WCCPv2—IPv6

Perform this task to specify the number of service groups for WCCP, to configure a service group as a closed or open service, and to optionally specify a check of all services.

### SUMMARY STEPS

- enable**
- configure terminal**
- Enter one of the following commands:
  - ipv6 wccp** [*vrf vrf-name*] *service-number* [**service-list** *service-access-list mode* {**open** | **closed**}]
  - ipv6 wccp** [*vrf vrf-name*] **web-cache mode** {**open** | **closed**}
- ipv6 wccp check services all**
- ipv6 wccp** [*vrf vrf-name*] {**web-cache** | *service-number*}

## 6. exit

## DETAILED STEPS

	Command or Action	Purpose
Step 1	<p><b>enable</b></p> <p><b>Example:</b></p> <pre>Device&gt; enable</pre>	<p>Enables privileged EXEC mode.</p> <ul style="list-style-type: none"> <li>• Enter your password if prompted.</li> </ul>
Step 2	<p><b>configure terminal</b></p> <p><b>Example:</b></p> <pre>Device# configure terminal</pre>	<p>Enters global configuration mode.</p>
Step 3	<p>Enter one of the following commands:</p> <ul style="list-style-type: none"> <li>• <b>ipv6 wccp [vrf vrf-name] service-number [service-list service-access-list mode {open   closed}]</b></li> <li>• <b>ipv6 wccp [vrf vrf-name] web-cache mode {open   closed}</b></li> </ul> <p><b>Example:</b></p> <pre>Device(config)# ipv6 wccp 90 service-list 120 mode closed</pre> <p>or</p> <pre>Device(config)# ipv6 wccp web-cache mode closed</pre>	<p>Configures a dynamic WCCP service as closed or open.</p> <p>or</p> <p>Configures a web-cache service as closed or open.</p> <p><b>Note</b> When configuring the web-cache service as a closed service, you cannot specify a service access list.</p> <p><b>Note</b> When configuring a dynamic WCCP service as a closed service, you must specify a service access list.</p>
Step 4	<p><b>ipv6 wccp check services all</b></p> <p><b>Example:</b></p> <pre>Device(config)# ipv6 wccp check services all</pre>	<p>(Optional) Enables a check of all WCCP services.</p> <ul style="list-style-type: none"> <li>• Use this command to configure WCCP to check the other configured services for a match and perform redirection for those services if appropriate. The caches to which packets are redirected can be controlled by the redirect ACL and not just the service description.</li> </ul> <p><b>Note</b> The <b>ipv6 wccp check services all</b> command is a global WCCP command that applies to all services and is not associated with a single service.</p>
Step 5	<p><b>ipv6 wccp [vrf vrf-name] {web-cache   service-number}</b></p> <p><b>Example:</b></p> <pre>Device(config)# ipv6 wccp 201</pre>	<p>Specifies the WCCP service identifier.</p> <ul style="list-style-type: none"> <li>• You can specify the standard web-cache service or a dynamic service number from 0 to 255.</li> <li>• The maximum number of services that can be specified is 256.</li> </ul>

	Command or Action	Purpose
<b>Step 6</b>	<b>exit</b> <b>Example:</b> Device(config)# exit	Exits to privileged EXEC mode.

## Registering a Router to a Multicast Address for WCCPv2— IPv6

If you decide to use the multicast address option for your service group, you must configure the router to listen for the multicast broadcasts on an interface.

For network configurations where redirected traffic needs to traverse an intervening router, the router being traversed must be configured to perform IP multicast routing. You must configure the following two components to enable traversal over an intervening router:

- Enable IP multicast routing using the **ipv6 multicast-routing** global configuration command.
- Enable the interfaces to which the cache engines will connect to receive multicast transmissions using the **ipv6 wccp group-listen** interface configuration command.

### SUMMARY STEPS

1. **enable**
2. **configure terminal**
3. **ipv6 multicast-routing [vrf vrf-name] [distributed]**
4. **ipv6 wccp [vrf vrf-name] {web-cache | service-number} group-address multicast-address**
5. **interface type number**
6. **ip pim {sparse-mode | sparse-dense-mode | dense-mode [proxy-register {list access-list | route-map map-name}]}**
7. **ipv6 wccp [vrf vrf-name] {web-cache | service-number} group-listen**

### DETAILED STEPS

	Command or Action	Purpose
<b>Step 1</b>	<b>enable</b> <b>Example:</b> Device> enable	Enables privileged EXEC mode. <ul style="list-style-type: none"> <li>• Enter your password if prompted.</li> </ul>
<b>Step 2</b>	<b>configure terminal</b> <b>Example:</b> Device# configure terminal	Enters global configuration mode.
<b>Step 3</b>	<b>ipv6 multicast-routing [vrf vrf-name] [distributed]</b> <b>Example:</b> Device(config)# ipv6 multicast-routing	Enables IP multicast routing.



	Command or Action	Purpose
Step 4	<b>ipv6 wccp</b> [ <i>vrf vrf-name</i> ] { <b>web-cache</b>   <i>service-number</i> } <b>group-address</b> <i>multicast-address</i>  <b>Example:</b>  Device(config)# ipv6 wccp 99 group-address FF15::8000:1	Specifies the multicast address for the service group.
Step 5	<b>interface</b> <i>type number</i>  <b>Example:</b>  Device(config)# interface ethernet 0/0	Enables the interfaces to which the content engines will connect to receive multicast transmissions for which the web cache service will run, and enters interface configuration mode.
Step 6	<b>ip pim</b> { <b>sparse-mode</b>   <b>sparse-dense-mode</b>   <b>dense-mode</b> [ <b>proxy-register</b> { <b>list</b> <i>access-list</i>   <b>route-map</b> <i>map-name</i> }] }  <b>Example:</b>  Device(config-if)# ip pim dense-mode	(Optional) Enables Protocol Independent Multicast (PIM) on an interface.  <b>Note</b> To ensure correct operation of the <b>ipv6 wccp group-listen</b> command, you must enter the <b>ip pim</b> command in addition to the <b>ipv6 wccp group-listen</b> command.
Step 7	<b>ipv6 wccp</b> [ <i>vrf vrf-name</i> ] { <b>web-cache</b>   <i>service-number</i> } <b>group-listen</b>  <b>Example:</b>  Device(config-if)# ipv6 wccp 99 group-listen	Configures an interface to enable or disable the reception of IP multicast packets for WCCP.

## Using Access Lists for WCCPv2—IPv6 Service Group

Perform this task to configure the router to use an access list to determine which traffic should be directed to which content engines.

### SUMMARY STEPS

1. **enable**
2. **configure terminal**
3. **access-list** *access-list-number* **remark** *remark*
4. **access-list** *access-list-number* **permit** {*source* [*source-wildcard*] | **any**} [**log**]
5. **access-list** *access-list-number* **remark** *remark*
6. **access-list** *access-list-number* **deny** {*source* [*source-wildcard*] | **any**} [**log**]
7. Repeat some combination of Steps 3 through 6 until you have specified the sources on which you want to base your access list.
8. **ipv6 wccp** [*vrf vrf-name*] **web-cache group-listen** *access-list*
9. **ipv6 wccp** [*vrf vrf-name*] **web-cache redirect-list** *access-list*

## DETAILED STEPS

	Command or Action	Purpose
<b>Step 1</b>	<b>enable</b> <b>Example:</b> Device> enable	Enables privileged EXEC mode. <ul style="list-style-type: none"> <li>• Enter your password if prompted.</li> </ul>
<b>Step 2</b>	<b>configure terminal</b> <b>Example:</b> Device# configure terminal	Enters global configuration mode.
<b>Step 3</b>	<b>access-list <i>access-list-number</i> remark <i>remark</i></b> <b>Example:</b> Device(config)# access-list 1 remark Give access to user1	(Optional) Adds a user-friendly comment about an access list entry. <ul style="list-style-type: none"> <li>• A remark of up to 100 characters in length can precede or follow an access list entry.</li> </ul>
<b>Step 4</b>	<b>access-list <i>access-list-number</i> permit {<i>source</i> [<i>source-wildcard</i>]   any} [log]</b> <b>Example:</b> Device(config)# access-list 1 permit 172.16.5.22 0.0.0.0	Creates an access list that enables or disables traffic redirection to the cache engine and permits the specified source based on a source address and wildcard mask. <ul style="list-style-type: none"> <li>• Every access list needs at least one permit statement; it does not need to be the first entry.</li> <li>• Standard IP access lists are numbered 1 to 99 or 1300 to 1999.</li> <li>• If the <i>source-wildcard</i> string is omitted, a wildcard mask of 0.0.0.0 is assumed, meaning match on all bits of the source address.</li> <li>• Optionally use the keyword <b>any</b> as a substitute for the <i>source source-wildcard</i> to specify the source and source wildcard of 0.0.0.0 255.255.255.255.</li> <li>• In this example, host 172.16.5.22 is allowed to pass the access list.</li> </ul>
<b>Step 5</b>	<b>access-list <i>access-list-number</i> remark <i>remark</i></b> <b>Example:</b> Device(config)# access-list 1 remark Give access to user1	(Optional) Adds a user-friendly comment about an access list entry. <ul style="list-style-type: none"> <li>• A remark of up to 100 characters can precede or follow an access list entry.</li> </ul>
<b>Step 6</b>	<b>access-list <i>access-list-number</i> deny {<i>source</i> [<i>source-wildcard</i>]   any} [log]</b> <b>Example:</b> Device(config)# access-list 1 deny 172.16.7.34 0.0.0.0	Denies the specified source based on a source address and wildcard mask. <ul style="list-style-type: none"> <li>• If the <i>source-wildcard</i> string is omitted, a wildcard mask of 0.0.0.0 is assumed, meaning match on all bits of the source address.</li> </ul>

	Command or Action	Purpose
		<ul style="list-style-type: none"> <li>Optionally use the abbreviation any as a substitute for the <i>source source-wildcard</i> to specify the source and source wildcard of 0.0.0.0 255.255.255.255.</li> <li>In this example, host 172.16.7.34 is denied passing the access list.</li> </ul>
<b>Step 7</b>	Repeat some combination of Steps 3 through 6 until you have specified the sources on which you want to base your access list.	Remember that all sources not specifically permitted are denied by an implicit <b>deny</b> statement at the end of the access list.
<b>Step 8</b>	<b>ipv6 wccp [vrf vrf-name] web-cache group-list access-list</b> <b>Example:</b> <pre>Device(config) ipv6 wccp web-cache group-list 1</pre>	Indicates to the router from which IP addresses of content engines to accept packets.
<b>Step 9</b>	<b>ipv6 wccp [vrf vrf-name] web-cache redirect-list access-list</b> <b>Example:</b> <pre>Router(config)# ipv6 wccp web-cache redirect-list 1</pre>	(Optional) Disables caching for certain clients.

## Enabling the WCCP—IPv6 Outbound ACL Check



**Note** When all redirection is performed in the hardware, the mode of redirection will change when outbound ACL checking is enabled. The first packet is switched in software to allow the extra ACL check to be performed before a shortcut is installed.

### SUMMARY STEPS

1. **enable**
2. **configure terminal**
3. **ipv6 wccp [vrf vrf-name] {web-cache | service-number} [group-address multicast-address] [redirect-list access-list] [group-list access-list] [password password]**
4. **ipv6 wccp check acl outbound**
5. **exit**

### DETAILED STEPS

	Command or Action	Purpose
<b>Step 1</b>	<b>enable</b> <b>Example:</b>	Enables privileged EXEC mode. <ul style="list-style-type: none"> <li>Enter your password if prompted.</li> </ul>

	Command or Action	Purpose
	Device> enable	
<b>Step 2</b>	<b>configure terminal</b> <b>Example:</b> Device# configure terminal	Enters global configuration mode.
<b>Step 3</b>	<b>ipv6 wccp [vrf vrf-name] {web-cache   service-number} [group-address multicast-address] [redirect-list access-list] [group-list access-list] [password password]</b> <b>Example:</b> Device(config)# ipv6 wccp web-cache	Enables support for a Cisco content engine service group or any content engine service group and configures a redirect ACL list or group ACL.
<b>Step 4</b>	<b>ipv6 wccp check acl outbound</b> <b>Example:</b> Device(config)# ipv6 wccp check acl outbound	Checks the access control list (ACL) for egress interfaces for packets redirected by WCCP.
<b>Step 5</b>	<b>exit</b> <b>Example:</b> Device(config)# exit	Exits global configuration.

## Verifying and Monitoring WCCPv2—IPv6 Configuration Settings

### SUMMARY STEPS

1. enable
2. show ipv6 wccp [ vrf vrf-name] [service-number | web-cache] [detail | view]
3. show ipv6 interface
4. more system:running-config

### DETAILED STEPS

	Command or Action	Purpose
<b>Step 1</b>	<b>enable</b> <b>Example:</b> Device> enable	Enables privileged EXEC mode. <ul style="list-style-type: none"> <li>• Enter your password if prompted.</li> </ul>
<b>Step 2</b>	<b>show ipv6 wccp [ vrf vrf-name] [service-number   web-cache] [detail   view]</b> <b>Example:</b>	(Optional) Displays global information related to WCCP, including the protocol version currently running, the number of content engines in the router service group, which content engine group is allowed to connect to the router, and which

	Command or Action	Purpose
	Device# show ipv6 wccp 24 detail	<p>access list is being used. The argument and keywords are as follows:</p> <ul style="list-style-type: none"> <li>• <i>service-number</i>—(Optional) Dynamic number of the web-cache service group being controlled by the content engine. The range is from 0 to 99. For web caches that use Cisco Content Engines, the reverse proxy service is indicated by a value of 99.</li> <li>• <b>web-cache</b>—(Optional) Statistics for the web-cache service.</li> <li>• <b>detail</b>—(Optional) Other members of a particular service group or web cache that have or have not been detected.</li> <li>• <b>view</b>—(Optional) Information about a router or all web caches.</li> </ul>
<b>Step 3</b>	<p><b>show ipv6 interface</b></p> <p><b>Example:</b></p> <pre>Device# show ipv6 interface</pre>	(Optional) Displays status about whether any <b>ip wccp redirection</b> commands are configured on an interface; for example, “Web Cache Redirect is enabled / disabled.”
<b>Step 4</b>	<p><b>more system:running-config</b></p> <p><b>Example:</b></p> <pre>Device# more system:running-config</pre>	(Optional) Displays contents of the currently running configuration file (equivalent to the <b>show running-config</b> command).

## Configuration Examples for WCCPv2—IPv6 Support

### Example: Configuring a General WCCPv2—IPv6 Session

```
Device# configure terminal
Device(config)# ipv6 wccp web-cache password password1
Device(config)# ipv6 wccp source-interface GigabitEthernet 0/1/0
Device(config)# ipv6 wccp check services all
    Configures a check of all WCCP services.
Device(config)# interface GigabitEthernet 0/1/0
Device(config-if)# ipv6 wccp web-cache redirect in
Device(config-if)# exit
Device(config)# interface GigabitEthernet 0/2/0
Device(config-if)# ipv6 wccp redirect exclude in
Device(config-if)# exit
```

## Example: WCCPv2—IPv6—Setting a Password for a Router and Content Engines

```
Device# configure terminal
Device(config)# ipv6 wccp web-cache password password1
```

## Example: WCCPv2—IPv6—Configuring a Web Cache Service

```
Device# configure terminal
Device(config)# ipv6 wccp web-cache
Device(config)# interface GigabitEthernet 0/1/0
Device(config-if)# ipv6 wccp web-cache redirect in
Device(config-if)# exit
Device# copy running-config startup-config
```

The following example shows how to configure a session in which redirection of HTTP traffic arriving on Gigabit Ethernet interface 0/1/0 is enabled:

```
Device# configure terminal
Device(config)# interface GigabitEthernet 0/1/0
Device(config-if)# ipv6 wccp web-cache redirect in
Device(config-if)# exit
Device# show ip interface GigabitEthernet 0/1/0
.
.
.
WCCP Redirect inbound is enabled
WCCP Redirect exclude is disabled
.
.
.
```

## Example: WCCPv2—IPv6—Running a Reverse Proxy Service

The following example assumes that you are configuring a service group using Cisco cache engines, which use dynamic service 99 to run a reverse proxy service:

```
Device# configure terminal
Device(config)# ipv6 wccp 99
Device(config)# interface GigabitEthernet 0/1/0
Device(config-if)# ipv6 wccp 99 redirect out
```

## Example: WCCPv2—IPv6—Registering a Router to a Multicast Address

```
Device# configure terminal
Device(config)# ipv6 wccp web-cache group-address 224.1.1.100
Device(config)# interface gigabitethernet 0/1/0
Device(config-if)# ipv6 wccp web cache group-listen
```

The following example shows a device configured to run a reverse proxy service, using the multicast address of 224.1.1.1. Redirection applies to packets outgoing via Gigabit Ethernet interface 0/1/0:

```
Device# configure terminal
Device(config)# ipv6 wccp 99 group-address 224.1.1.1
Device(config)# interface gigabitethernet 0/1/0
Device(config-if)# ipv6 wccp 99 redirect out
```

## Example: WCCPv2—IPv6—Using Access Lists for a WCCPv2 IPv6 Service Group

To achieve better security, you can use a standard access list to notify the device which IP addresses are valid addresses for a content engine attempting to register with the current device. The following example shows a standard access list configuration session where the access list number is 10 for some sample hosts:

```
Device(config)# access-list 10 permit host 10.1.1.1
Device(config)# access-list 10 permit host 10.1.1.2
Device(config)# access-list 10 permit host 10.1.1.3
Device(config)# ipv6 wccp web-cache group-list 10
```

To disable caching for certain clients, servers, or client/server pairs, you can use WCCP access lists. The following example shows that any requests coming from 10.1.1.1 to 10.3.1.1 will bypass the cache, and that all other requests will be serviced normally:

```
Device(config)# ipv6 wccp web-cache redirect-list 120
Device(config)# access-list 120 deny tcp host 10.1.1.1 any
Device(config)# access-list 120 deny tcp any host 10.3.1.1
Device(config)# access-list 120 permit ip any any
```

The following example configures a device to redirect web-related packets received via Gigabit Ethernet interface 0/1/0, destined to any host except 209.165.200.224:

```
Device(config)# access-list 100 deny ip any host 209.165.200.224
Device(config)# access-list 100 permit ip any any
Device(config)# ipv6 wccp web-cache redirect-list 100
Device(config)# interface gigabitethernet 0/1/0
Device(config-if)# ipv6 wccp web-cache redirect in
```

## Example: WCCPv2—IPv6—Configuring Outbound ACL Check

The following configuration example shows that the access list prevents traffic from network 10.0.0.0 leaving Gigabit Ethernet interface 0/1/0. Because the outbound ACL check is enabled, WCCP does not redirect that traffic. WCCP checks packets against the ACL before they are redirected.

```
Device(config)# ipv6 wccp web-cache
Device(config)# ipv6 wccp check acl outbound
Device(config)# interface gigabitethernet 0/1/0
Device(config-if)# ip access-group 10 out
Device(config-if)# exit
Device(config)# ipv6 wccp web-cache redirect-list redirect-out
Device(config)# access-list 10 deny 10.0.0.0 0.255.255.255
Device(config)# access-list 10 permit any
```

If the outbound ACL check is disabled, the HTTP packets from network 10.0.0.0 would be redirected to a web cache. Users with that network address could retrieve web pages even though the network administrator wanted to prevent it.

## Example: WCCPv2—IPv6—Verifying WCCP Settings

The following example shows how to verify your configuration changes by using the **more system:running-config** command in privileged EXEC mode. The following example shows that both the web cache service and dynamic service 99 are enabled on the device:

```
Device# more system:running-config

Building configuration...
Current configuration:
!
version 12.0
service timestamps debug uptime
service timestamps log uptime
no service password-encryption
service udp-small-servers
service tcp-small-servers
!
hostname router4
!
enable secret 5 $1$nSVy$faliJsVQXVPW.KuCxZNT1
enable password password1
!
ip subnet-zero
ipv6 wccp web-cache
ipv6 wccp 99
ip domain-name cisco.com
ip name-server 10.1.1.1
ip name-server 10.1.1.2
ip name-server 10.1.1.3
!
!
interface GigabitEthernet0/1/1
ip address 10.3.1.2 255.255.255.0
no ip directed-broadcast
ipv6 wccp web-cache redirect in
ipv6 wccp 99 redirect in
no ip route-cache
no ip mroute-cache
!
interface GigabitEthernet0/1/0
ip address 10.4.1.1 255.255.255.0
no ip directed-broadcast
ipv6 wccp 99 redirect in
no ip route-cache
no ip mroute-cache
!
interface Serial0
no ip address
no ip directed-broadcast
no ip route-cache
no ip mroute-cache
shutdown
!
interface Serial1
no ip address
no ip directed-broadcast
no ip route-cache
no ip mroute-cache
shutdown
!
```



```

ip default-gateway 10.3.1.1
ip classless
ip route 0.0.0.0 0.0.0.0 10.3.1.1
no ip http server
!
!
!
line con 0
transport input none
line aux 0
transport input all
line vty 0 4
password password1
login
!
end

```

The following example shows how to display global statistics related to WCCP:

```
Device# show ipv6 wccp web-cache detail
```

```

WCCP Client information:
WCCP Client ID:      10.1.1.2
Protocol Version:    2.0
State:               Usable
Redirection:         L2
Packet Return:       L2
Packets Redirected:  0
Connect Time:        00:20:34
Assignment:          MASK
Mask  SrcAddr  DstAddr  SrcPort  DstPort
-----
0000: 0x00000000 0x00001741 0x0000  0x0000
Value SrcAddr  DstAddr  SrcPort  DstPort  CE-IP
-----
0000: 0x00000000 0x00000000 0x0000  0x0000  0x3C010102 (10.1.1.2)
0001: 0x00000000 0x00000001 0x0000  0x0000  0x3C010102 (10.1.1.2)
0002: 0x00000000 0x00000040 0x0000  0x0000  0x3C010102 (10.1.1.2)
0003: 0x00000000 0x00000041 0x0000  0x0000  0x3C010102 (10.1.1.2)
0004: 0x00000000 0x00000100 0x0000  0x0000  0x3C010102 (10.1.1.2)
0005: 0x00000000 0x00000101 0x0000  0x0000  0x3C010102 (10.1.1.2)
0006: 0x00000000 0x00000140 0x0000  0x0000  0x3C010102 (10.1.1.2)

```

For more information about the `show ip wccp web-cache` command, see the *Cisco IOS IP Application Services Command Reference* document.

## Example: WCCPv2—IPv6—Cisco ASR 1000 Platform Specific Configuration

The following example shows how to display platform-specific configuration and IPv6 counters information related to WCCP on a Cisco ASR 1000 Series Aggregation Services Router:

```

Device# show platform software wccp service-number ipv6 counters
Service Group (1, 61, 0) counters
  Unassigned count = 0
  Dropped due to closed service count = 0
  Bypass count = 0
  Bypass failed count = 0
  Denied count = 0
  Redirect count = 4
CE = 2001:1:100::105, obj_id = 213, Redirect Packets = 4

```

The following example shows how to display platform-specific configuration and route processor slot information related to WCCP on a Cisco ASR 1000 Series Aggregation Services Router:

```
Device# show platform software wccp rp active service-number ipv6
IPV6 Dynamic service 61
Priority: 34, Number of clients: 1
Assign Method: Hash, Fwd Method: GRE, Ret Method: GRE
L4 proto: 6, Use Source Port: No
Is closed: No
```

The following example shows how to display platform-specific configuration and embedded service processor slot information related to WCCP on a Cisco ASR 1000 Series Aggregation Services Router:

```
Device# show platform software wccp fp active service-number ipv6
IPV6 Dynamic service 61
Priority: 34, Number of clients: 1
Assign Method: Hash, Fwd Method: GRE, Ret Method: GRE
Is closed: No
Current ACE: 0, Pending ACE: 0
New ACE: 0, New ACE completed: No
ACL id: 0
  AOM id: 0x18a, status: created
```

The following example shows how to display the WCCP service group information in the active Cisco Quantum Flow Processor (QFP) on a Cisco ASR 1000 Series Aggregation Services Router:

```
Device# show platform hardware qfp active feature wccp service id service-id ipv6
Service ID: 61
Service Type: 1
Service Priority: 34
Assign Method: 1
Hash key: 0x51
Hash buckets ppe address: 0x8bceb600
Mode: Open
State: Active
Number of Caches in this service: 1
  ce index: 0
  cache_id : 11
  Cache ip addr : 0x20010001
  Cache cfg ppe addr : 0x8bcab200
  Cache oce ppe addr : 0x891a7670
  Cache state ppe addr : 0x8bcfd288
Number of interfaces using this service: 1
  Interface: GigabitEthernet0/0/0.1
  cpp-if-h: 12
  Dir: 0
  pal-if-h: 15
  uidb sb ppe addr: 0x8bd308e0
```

## Additional References

### Related Documents

Related Topic	Document Title
Cisco IOS commands	<a href="#">Cisco IOS Master Commands List, All Releases</a>

Related Topic	Document Title
IP addressing and services commands and configuration tasks	<ul style="list-style-type: none"> <li>• <i>Cisco IOS IP Addressing Services Configuration Guide</i></li> <li>• <i>Cisco IOS IP Addressing Services Command Reference</i></li> </ul>
WCCP commands: complete command syntax, command mode, command history, defaults, usage guidelines, and examples	<i>Cisco IOS IP Application Services Command Reference</i>

### Technical Assistance

Description	Link
The Cisco Support and Documentation website provides online resources to download documentation, software, and tools. Use these resources to install and configure the software and to troubleshoot and resolve technical issues with Cisco products and technologies. Access to most tools on the Cisco Support and Documentation website requires a Cisco.com user ID and password.	<a href="http://www.cisco.com/cisco/web/support/index.html">http://www.cisco.com/cisco/web/support/index.html</a>

## Feature Information for WCCPv2—IPv6 Support

The following table provides release information about the feature or features described in this module. This table lists only the software release that introduced support for a given feature in a given software release train. Unless noted otherwise, subsequent releases of that software release train also support that feature.

Use Cisco Feature Navigator to find information about platform support and Cisco software image support. To access Cisco Feature Navigator, go to [www.cisco.com/go/cfn](http://www.cisco.com/go/cfn). An account on Cisco.com is not required.

Table 8: Feature Information for WCCPv2—IPv6 Support

Feature Name	Releases	Feature Information
WCCPv2—IPv6 Support	15.1(1)SY1 15.2(3)T	<p>This feature introduces support for Web Cache Communication Protocol version 2 (WCCPv2) in an IPv6 environment.</p> <p>WCCP is a Cisco-developed content-routing technology that intercepts IP packets and redirects those packets to a destination other than that specified in the IP packet.</p> <p>Multiple routers can use WCCPv2 to service a content engine cluster. In WCCPv1, only one router could redirect content requests to a cluster.</p> <p>The following commands were added: <b>clear ipv6 wccp</b>, <b>clear wccp</b>, <b>debug ipv6 wccp</b>, <b>debug wccp</b>, <b>ipv6 wccp</b>, <b>ipv6 wccp check acl outbound</b>, <b>ipv6 wccp check services all</b>, <b>ipv6 wccp group-listen</b>, <b>ipv6 wccp redirect</b>, <b>ipv6 wccp redirect exclude in ipv6 wccp source-interface</b>, <b>show ipv6 wccp</b>, <b>show ipv6 wccp global counters</b>, <b>show wccp global counters</b>, <b>show platform software wccp <i>service-number</i> ipv6 counters</b>, <b>show platform software wccp rp active <i>service-number</i> ipv6</b>, <b>show platform software wccp fp active <i>service-number</i> ipv6</b>, <b>show platform hardware qfp active feature wccp service id <i>service-number</i> ipv6</b>.</p>

Cisco and the Cisco Logo are trademarks of Cisco Systems, Inc. and/or its affiliates in the U.S. and other countries. A listing of Cisco's trademarks can be found at [www.cisco.com/go/trademarks](http://www.cisco.com/go/trademarks). Third party trademarks mentioned are the property of their respective owners. The use of the word partner does not imply a partnership relationship between Cisco and any other company. (1005R)



# CHAPTER 10

## WCCP with Generic GRE Support

Extended Web Cache Communication Protocol (WCCP) supports multipoint generic routing encapsulation (mGRE) return method on Cisco IOS devices. GRE-negotiated return is not supported on the Cisco Wide Area Application Services (WAAS) AppNav I/O module (IOM), customers need to use generic GRE tunnels (multipoint GRE) on the devices.

- [Finding Feature Information, on page 155](#)
- [Restrictions for WCCP with Generic GRE Support, on page 155](#)
- [Information About WCCP with Generic GRE Support, on page 156](#)
- [How to Configure WCCP with Generic GRE Support, on page 156](#)
- [Configuration Examples for WCCP with Generic GRE Support, on page 162](#)
- [Additional References for WCCP with Generic GRE Support, on page 163](#)
- [Feature Information for WCCP with Generic GRE Support, on page 164](#)

### Finding Feature Information

Your software release may not support all the features documented in this module. For the latest caveats and feature information, see [Bug Search Tool](#) and the release notes for your platform and software release. To find information about the features documented in this module, and to see a list of the releases in which each feature is supported, see the feature information table.

Use Cisco Feature Navigator to find information about platform support and Cisco software image support. To access Cisco Feature Navigator, go to [www.cisco.com/go/cfn](http://www.cisco.com/go/cfn). An account on Cisco.com is not required.

### Restrictions for WCCP with Generic GRE Support

- Generic GRE tunnel does not work with a loopback source address. Because the highest numbered loopback is reserved for WCCP, customers need to use the second highest loopback address.
- WCCP traffic redirection does not work when a zone-based policy firewall is configured on a Cisco Aggregation Services Router that is configured with Cisco AppNav I/O modules. Cisco AppNav is a wide-area networking optimization solution. For WCCP traffic redirection to work, remove the zone-based policy firewall configuration from interfaces. If you are using a WAVE device, WCCP traffic redirection works correctly.
- Static and dynamic NAT with generic GRE and dynamic NAT with Layer 2 do not work when used with hardware-based Cisco AppNav appliances (for example, Wide Area Application Services [WAAS]).

# Information About WCCP with Generic GRE Support

## WCCP with Generic GRE Support

The generic routing encapsulation (GRE) negotiated return is not supported on AppNav I/O Module (IOM), the customers need to use Generic GRE tunnels (multipoint GRE [mGRE]) on devices. That is, a mGRE tunnel needs to be configured manually on the router if the AppNav is configured with Generic GRE return method.



**Note** If two multipoint generic routing encapsulation (mGRE) tunnels are configured (one programmatically generated and the other manually created) on a device, and have the same key or exist in the same VRF, do one of the following:

- Configure both tunnels with different loopback addresses.
- Configure a physical interface on manually created tunnel, and configure a loopback address on the programmatically generated tunnel.

This feature focuses on the interactions between AppNav IOM and the router. The Cisco Wide Area Application Services (WAAS) AppNav must be configured as a device mode application-accelerator and interception method WCCP.

## Cisco WAAS AppNav Solution

Cisco Wide Area Application Services (WAAS) AppNav is a hardware and software solution that simplifies network integration of WAN optimization. It also overcomes the challenges related to provisioning, visibility, scalability, asymmetry, and high availability. Only a Wide Area Virtualization Engine (WAVE) appliance that contains a Cisco AppNav Controller (ANC) Interface Module can operate as an ANC. AppNav is configured as Web Cache Communication Protocol (WCCP) client of the router.

For more information on Cisco WAAS AppNav and how to configure Cisco WAAS AppNav, see "Configuring AppNav" chapter in *Cisco Wide Area Application Services Configuration Guide*.

# How to Configure WCCP with Generic GRE Support

## Configure WCCP Redirection with Generic GRE Configured on the Device Using a Loopback Interface

### SUMMARY STEPS

1. **enable**
2. **configure terminal**
3. **interface loopback** *loopback-nterface-number*

4. **ip address** *ip-address subnet-mask*
5. **no shutdown**
6. **exit**
7. **interface loopback** *loopback-interface-number*
8. **ip address** *ip-address subnet-mask*
9. **no shutdown**
10. **exit**
11. **ip wccp source-interface loopback** *loopback-interface-number*
12. **interface Tunnel** *tunnel-interface-number*
13. **ip address** *ip-address subnet-mask*
14. **no shutdown**
15. **no ip redirects**
16. **ip wccp redirect exclude in**
17. **tunnel source loopback** *loopback-interface-number*
18. **tunnel mode gre multipoint**
19. **end**
20. **show ip wccp summary**

#### DETAILED STEPS

	Command or Action	Purpose
<b>Step 1</b>	<b>enable</b> <b>Example:</b> Device> enable	Enables privileged EXEC mode. <ul style="list-style-type: none"> <li>• Enter your password if prompted.</li> </ul>
<b>Step 2</b>	<b>configure terminal</b> <b>Example:</b> Device# configure terminal	Enters global configuration mode.
<b>Step 3</b>	<b>interface loopback</b> <i>loopback-nterface-number</i> <b>Example:</b> Device(config)# interface loopback 100	Enters interface configuration for the device.
<b>Step 4</b>	<b>ip address</b> <i>ip-address subnet-mask</i> <b>Example:</b> Device(config-if)# ip address 10.10.10.1 255.255.255.255	Sets a primary IP address for the loopback interface.
<b>Step 5</b>	<b>no shutdown</b> <b>Example:</b> Device(config-if)# no shutdown	Restarts the loopback interface if the interface is down.

	Command or Action	Purpose
<b>Step 6</b>	<b>exit</b> <b>Example:</b>  Device(config-if)# exit	Returns to global configuration mode.
<b>Step 7</b>	<b>interface loopback</b> <i>loopback-interface-number</i> <b>Example:</b>  Device(config)# interface loopback 1000	Enters interface configuration for the device.
<b>Step 8</b>	<b>ip address</b> <i>ip-address subnet-mask</i> <b>Example:</b>  Device(config-if)# ip address 10.11.10.1 255.255.255.255	Sets a primary IP address for the loopback interface.
<b>Step 9</b>	<b>no shutdown</b> <b>Example:</b>  Device(config-if)# no shutdown	Restarts the loopback interface if the interface is down.
<b>Step 10</b>	<b>exit</b> <b>Example:</b>  Device(config-if)# exit	Returns to global configuration mode.
<b>Step 11</b>	<b>ip wccp source-interface loopback</b> <i>loopback-interface-number</i> <b>Example:</b>  Device(config)# ip wccp source-interface loopback 1000	Configures a preferred Web Cache Communication Protocol (WCCP) router ID.
<b>Step 12</b>	<b>interface Tunnel</b> <i>tunnel-interface-number</i> <b>Example:</b>  Device(config)# interface Tunnel 10	Enters tunnel interface configuration mode.
<b>Step 13</b>	<b>ip address</b> <i>ip-address subnet-mask</i> <b>Example:</b>  Device(config-if)# ip address 10.10.20.1 255.255.255.0	Sets a primary IP address for the tunnel interface.
<b>Step 14</b>	<b>no shutdown</b> <b>Example:</b>  Device(config-if)# no shutdown	Restarts the tunnel interface if the interface is down.



	Command or Action	Purpose
Step 15	<b>no ip redirects</b> <b>Example:</b> Device(config-if)# no ip redirects	Disables the sending of ICMP redirect messages to learn routes. This command is enabled by default.
Step 16	<b>ip wccp redirect exclude in</b> <b>Example:</b> Device(config-if)# ip wccp redirect exclude in	Specifies that packets received on this interface be excluded from any egress redirection.
Step 17	<b>tunnel source loopback <i>loopback-interface-number</i></b> <b>Example:</b> Device(config-if)# tunnel source loopback 100	Configures the loopback interface as the tunnel source.
Step 18	<b>tunnel mode gre multipoint</b> <b>Example:</b> Device(config-if)# tunnel mode gre multipoint	Sets the global encapsulation mode on all interfaces of a device to generic routing encapsulation (GRE).
Step 19	<b>end</b> <b>Example:</b> Device(config-if)# end	Returns to privileged EXEC mode.
Step 20	<b>show ip wccp summary</b> <b>Example:</b> Device# show ip wccp summary	Displays a summary of WCCP services.

## Configure WCCP Redirection with Generic GRE Configured on a Device Using a Physical Interface

### SUMMARY STEPS

1. enable
2. configure terminal
3. interface GigabitEthernet *interface-id*
4. ip address *ip-address subnet-mask*
5. no shutdown
6. exit
7. interface Tunnel *tunnel-interface-number*
8. ip address *ip-address subnet-mask*
9. no shutdown

10. `no ip redirects`
11. `ip wccp redirect exclude in`
12. `tunnel source GigabitEthernet interface-id`
13. `tunnel mode gre multipoint`
14. `end`
15. `show ip wccp summary`

## DETAILED STEPS

	Command or Action	Purpose
Step 1	<b>enable</b> <b>Example:</b> Device> enable	Enables privileged EXEC mode. <ul style="list-style-type: none"> <li>• Enter your password if prompted.</li> </ul>
Step 2	<b>configure terminal</b> <b>Example:</b> Device# configure terminal	Enters global configuration mode.
Step 3	<b>interface GigabitEthernet <i>interface-id</i></b> <b>Example:</b> Device(config)# interface GigabitEthernet0/0/1	Enters interface configuration for the device.
Step 4	<b>ip address <i>ip-address subnet-mask</i></b> <b>Example:</b> Device(config-if)# ip address 10.10.10.1 255.255.255.0	Sets a primary IP address for the loopback interface.
Step 5	<b>no shutdown</b> <b>Example:</b> Device(config-if)# no shutdown	Restarts the loopback interface if the interface is down.
Step 6	<b>exit</b> <b>Example:</b> Device(config-if)# exit	Returns to global configuration mode.
Step 7	<b>interface Tunnel <i>tunnel-interface-number</i></b> <b>Example:</b> Device(config)# interface Tunnel 10	Enters tunnel interface configuration mode.
Step 8	<b>ip address <i>ip-address subnet-mask</i></b> <b>Example:</b>	Sets a primary IP address for the tunnel interface.

	Command or Action	Purpose
	Device(config-if)# ip address 10.10.20.1 255.255.255.0	
<b>Step 9</b>	<b>no shutdown</b> <b>Example:</b> Device(config-if)# no shutdown	Restarts the tunnel interface if the interface is down.
<b>Step 10</b>	<b>no ip redirects</b> <b>Example:</b> Device(config-if)# no ip redirects	Disables the sending of ICMP redirect messages to learn routes. This command is enabled by default.
<b>Step 11</b>	<b>ip wccp redirect exclude in</b> <b>Example:</b> Device(config-if)# ip wccp redirect exclude in	Specifies that packets received on this interface be excluded from any egress redirection.
<b>Step 12</b>	<b>tunnel source GigabitEthernet <i>interface-id</i></b> <b>Example:</b> Device(config-if)# tunnel source GigabitEthernet0/0/1	Configures the loopback interface as the tunnel source.
<b>Step 13</b>	<b>tunnel mode gre multipoint</b> <b>Example:</b> Device(config-if)# tunnel mode gre multipoint	Sets the global encapsulation mode on all interfaces of a device to generic routing encapsulation (GRE).
<b>Step 14</b>	<b>end</b> <b>Example:</b> Device(config-if)# end	Returns to privileged EXEC mode.
<b>Step 15</b>	<b>show ip wccp summary</b> <b>Example:</b> Device# show ip wccp summary	Displays a summary of WCCP services.

# Configuration Examples for WCCP with Generic GRE Support

## Example: Configure WCCP Redirection with Generic GRE Configured on Device Using a Loopback Interface

The following example shows how to configure Web Cache Communication Protocol (WCCP) redirection on the device using loopback interface when generic routing encapsulation (GRE) is enabled on the Cisco Wide Area Application Services (WAAS) AppNav:

```
Device> enable
Device# configure terminal
Device(config)# interface loopback 100
Device(config-if)# ip address 10.10.10.1 255.255.255.255
Device(config-if)# no shutdown
Device(config-if)# exit
Device(config)# interface loopback 1000
Device(config-if)# ip address 10.11.10.1 255.255.255.255
Device(config-if)# no shutdown
Device(config-if)# exit
Device(config)# ip wccp source-interface loopback 1000
Device(config)# interface Tunnel 10
Device(config-if)# ip address 10.12.10.1 255.255.255.0
Device(config-if)# no shutdown
Device(config-if)# no ip redirects
Device(config-if)# ip wccp redirect exclude in
Device(config-if)# tunnel source loopback 100
Device(config-if)# tunnel mode gre multipoint
Device(config-if)# end
Device# show ip wccp summary
```

WCCP version 2 enabled, 2 services

Service	Clients	Routers	Assign	Redirect	Bypass
Default	routing	table	(Router Id: 10.10.10.1):		
61	1	1	MASK	GRE	GRE
62	1	1	MASK	GRE	GRE

## Example: Configure WCCP Redirection with Generic GRE Configured on a Device Using a Physical Interface

The following example shows how to configure Web Cache Communication Protocol (WCCP) redirection on the device using a physical interface when generic routing encapsulation (GRE) is enabled on the Cisco Wide Area Application Services (WAAS) AppNav:

```
Device> enable
Device# configure terminal
Device(config)# interface GigabitEthernet0/0/1
Device(config-if)# ip address 10.12.10.1 255.255.255.0
Device(config-if)# no shutdown
Device(config-if)# exit
```

```

Device(config)# interface Tunnel 10
Device(config-if)# ip address 10.13.10.1 255.255.255.0
Device(config-if)# no ip redirects
Device(config-if)# ip wccp redirect exclude in
Device(config-if)# tunnel source GigabitEthernet0/0/1
Device(config-if)# tunnel mode gre multipoint
Device(config-if)# end
Device# show ip wccp summary

```

WCCP version 2 enabled, 2 services

Service	Clients	Routers	Assign	Redirect	Bypass
-----	-----	-----	-----	-----	-----
Default	routing	table	(Router Id: 10.10.10.1):		
61	1	1	MASK	GRE	GRE
62	1	1	MASK	GRE	GRE

## Additional References for WCCP with Generic GRE Support

### Related Documents

Related Topic	Document Title
Cisco IOS commands	<a href="#">Cisco IOS Master Commands List, All Releases</a>
IP addressing and services commands and configuration tasks	<ul style="list-style-type: none"> <li>• <a href="#">IP Addressing: IPv4 Addressing Configuration Guide</a></li> <li>• <a href="#">Cisco IOS IP Addressing Services Command Reference</a></li> </ul>
WCCP commands: complete command syntax, command mode, command history, defaults, usage guidelines, and examples	<a href="#">Cisco IOS IP Application Services Command Reference</a>

### Technical Assistance

Description	Link
The Cisco Support and Documentation website provides online resources to download documentation, software, and tools. Use these resources to install and configure the software and to troubleshoot and resolve technical issues with Cisco products and technologies. Access to most tools on the Cisco Support and Documentation website requires a Cisco.com user ID and password.	<a href="http://www.cisco.com/cisco/web/support/index.html">http://www.cisco.com/cisco/web/support/index.html</a>

## Feature Information for WCCP with Generic GRE Support

The following table provides release information about the feature or features described in this module. This table lists only the software release that introduced support for a given feature in a given software release train. Unless noted otherwise, subsequent releases of that software release train also support that feature.

Use Cisco Feature Navigator to find information about platform support and Cisco software image support. To access Cisco Feature Navigator, go to [www.cisco.com/go/cfn](http://www.cisco.com/go/cfn). An account on Cisco.com is not required.

**Table 9: Feature Information for WCCP with Generic GRE Support**

Feature Name	Releases	Feature Information
WCCP with Generic GRE Support	Cisco IOS XE Release 3.10.2	This feature provides extended WCCP support to use Generic GRE tunnels (multipoint GRE) on the devices when generic routing encapsulation (GRE) negotiated return is not supported on AppNav I/O Module (IOM).

Cisco and the Cisco Logo are trademarks of Cisco Systems, Inc. and/or its affiliates in the U.S. and other countries. A listing of Cisco's trademarks can be found at [www.cisco.com/go/trademarks](http://www.cisco.com/go/trademarks). Third party trademarks mentioned are the property of their respective owners. The use of the word partner does not imply a partnership relationship between Cisco and any other company. (1005R)