

# 同步數位階層(SDH)圖形概覽

## 目錄

[簡介](#)

[必要條件](#)

[需求](#)

[採用元件](#)

[慣例](#)

[SDH分析](#)

[SDH鏈路](#)

[STM1訊框](#)

[STM1 SOH](#)

[VC4串聯](#)

[SDH層次結構](#)

[SDH維護互動](#)

[警報和檢測標準](#)

[STM1 SOH、HO-POH和LO-POH位元組](#)

[相關資訊](#)

## 簡介

本檔案將概述以映像表示的同步數位階層(SDH)。

## [必要條件](#)

### [需求](#)

本文件沒有特定先決條件。

### [採用元件](#)

本文件所述內容不限於特定軟體和硬體版本。

### [慣例](#)

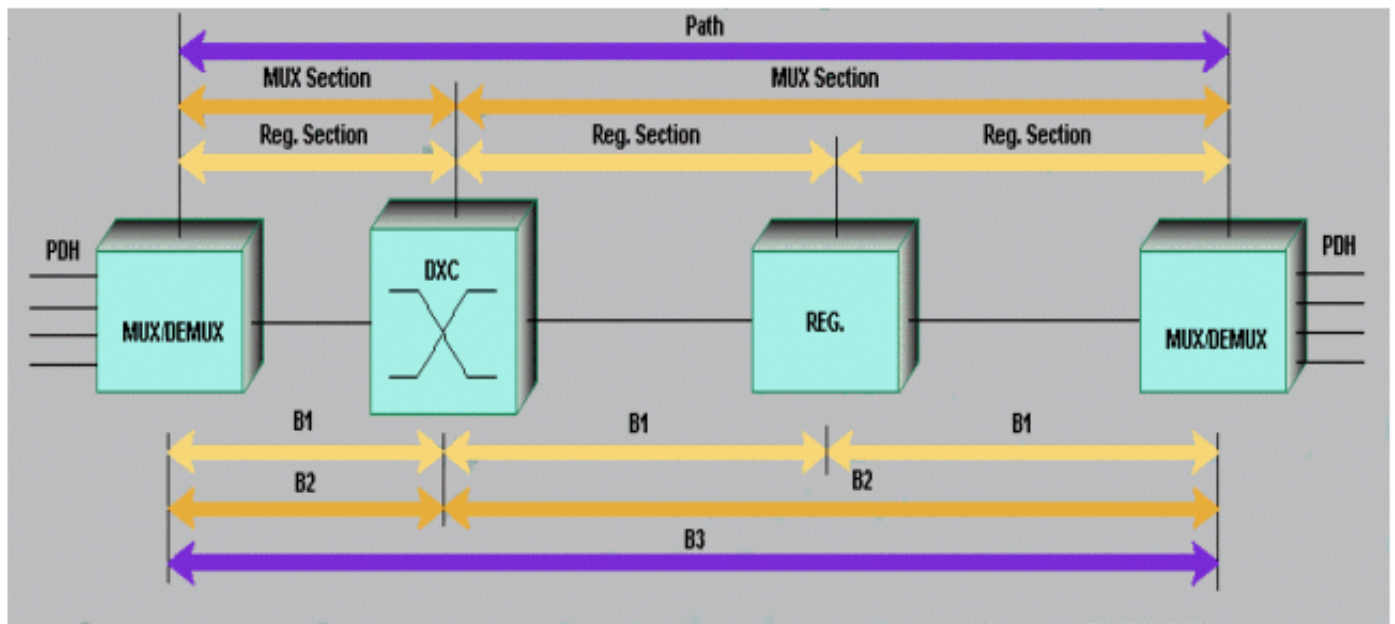
如需文件慣例的詳細資訊，請參閱[思科技術提示慣例](#)。

## [SDH分析](#)

以下各節以圖形格式概述SDH。

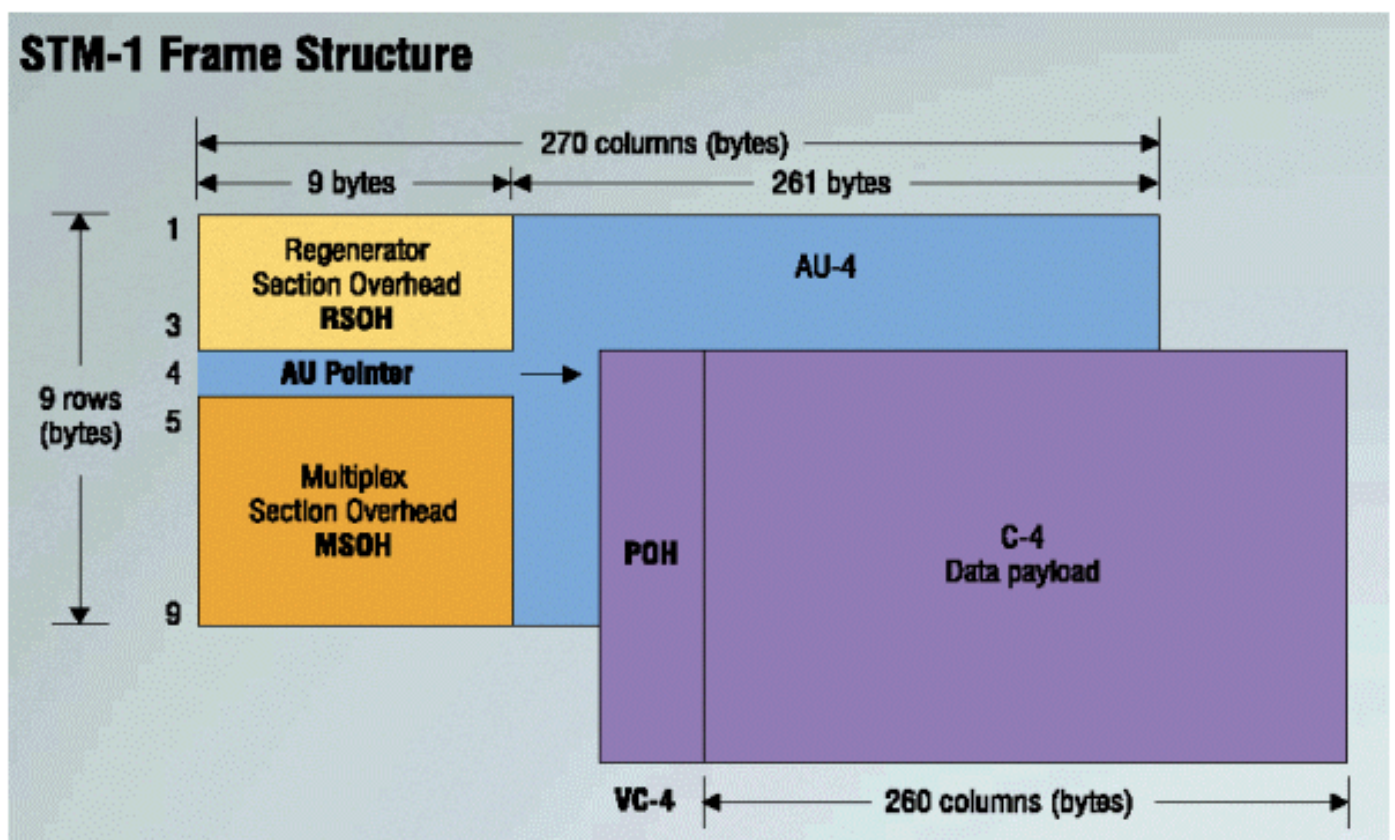
## SDH鏈路

此圖顯示SDH鏈路的外觀。



## STM1訊框

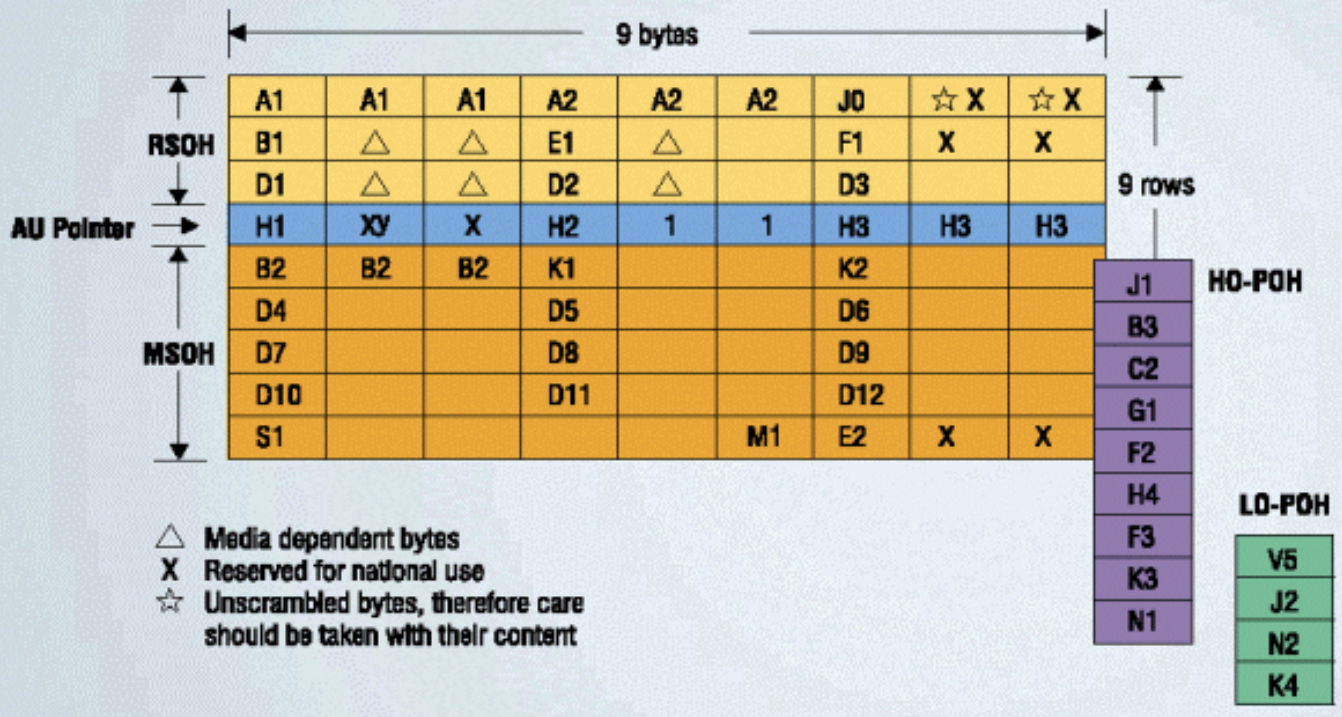
此圖顯示同步傳輸模組第1級(STM1)訊框結構。



## STM1 SOH

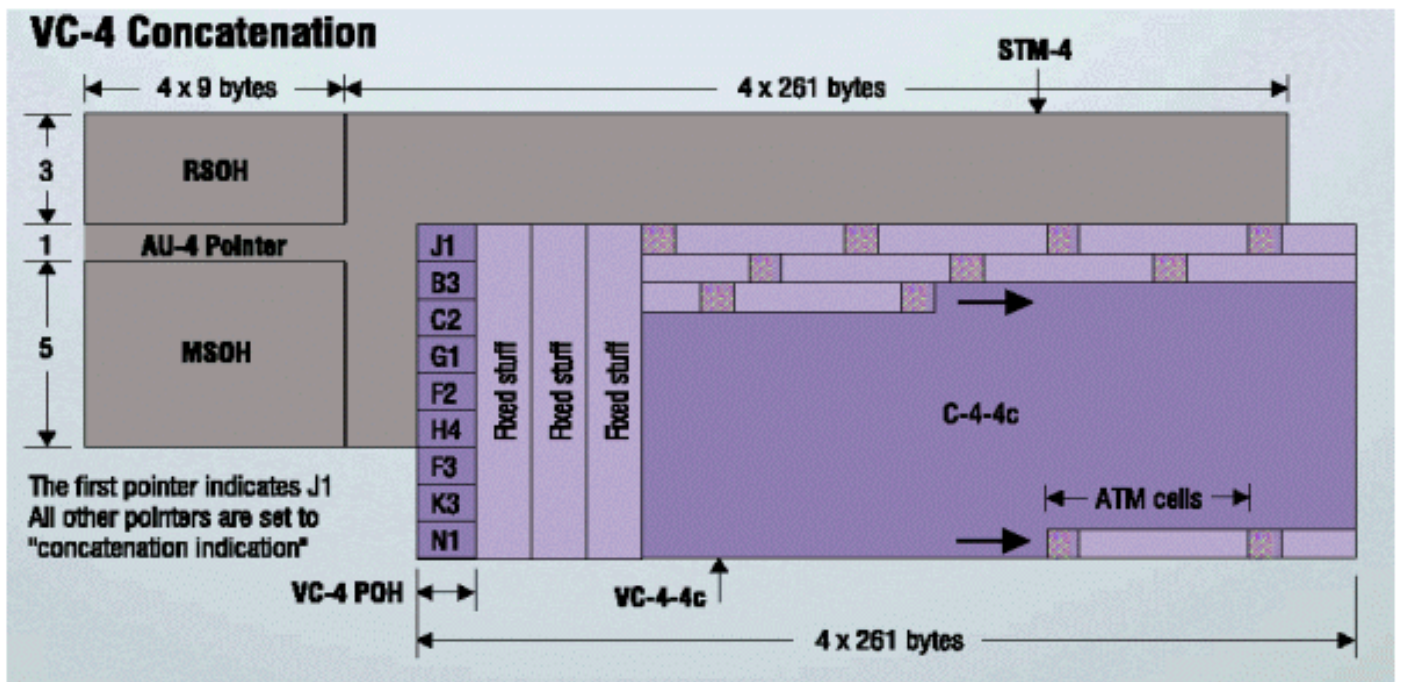
此圖顯示STM1區段額外負荷(SOH)的外觀。

## STM-1 SOH & HO-POH



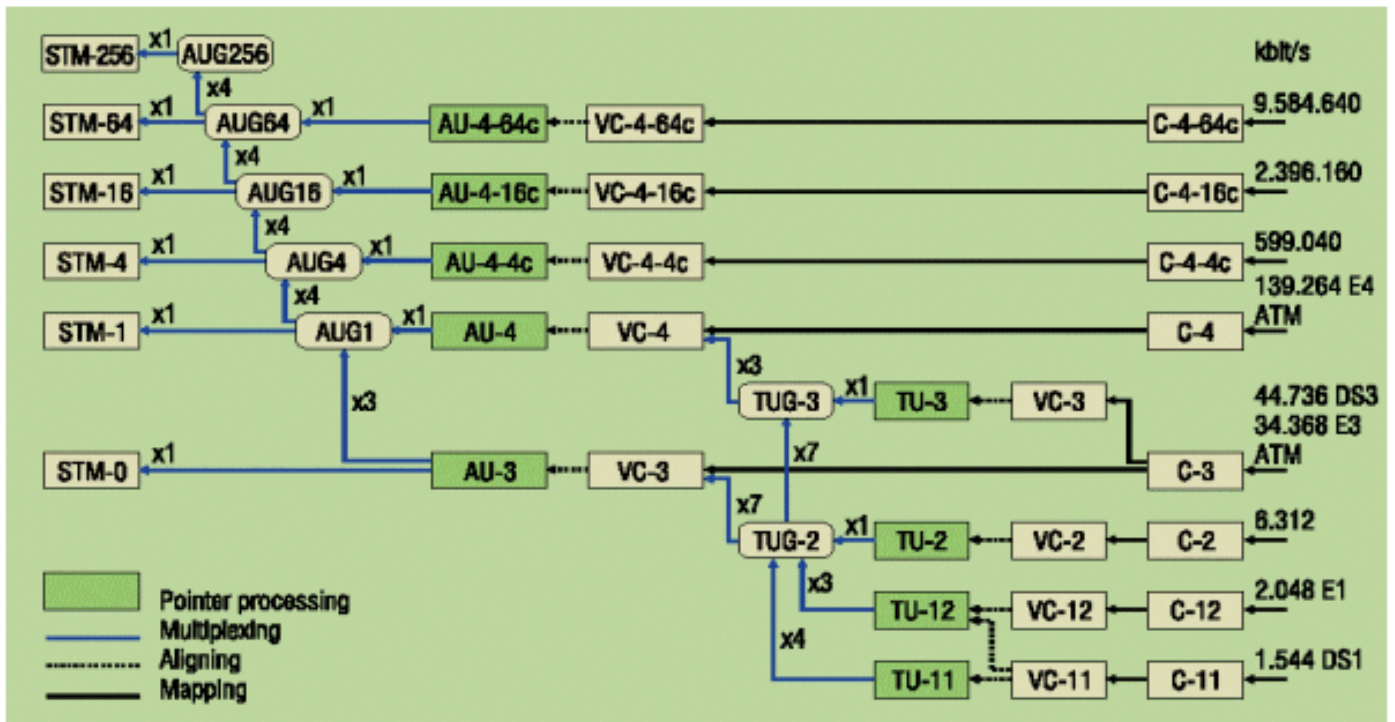
## VC4串聯

此圖檢視VC4串聯。



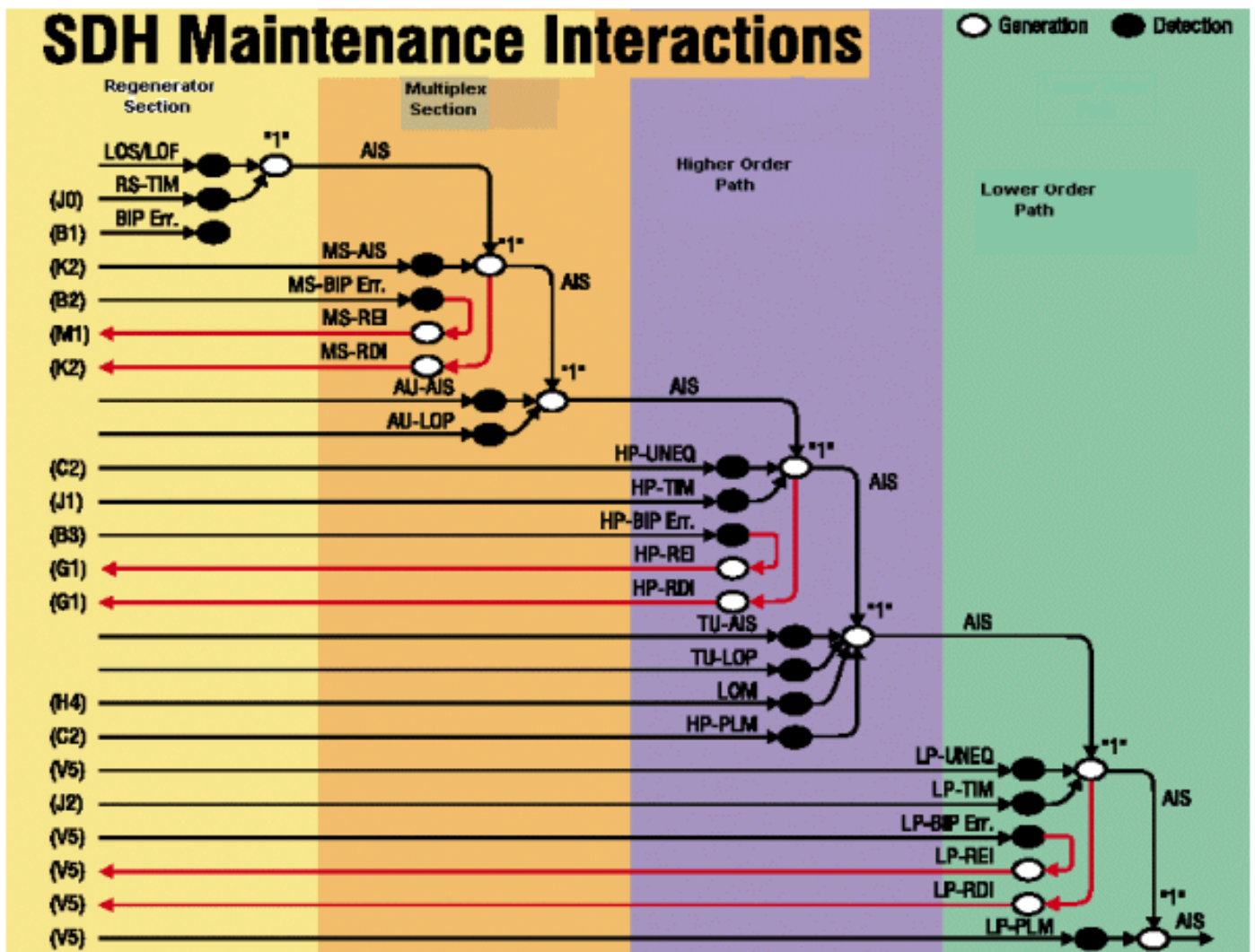
## SDH層次結構

此圖顯示SDH層次結構。



## SDH維護互動

此圖顯示SDH維護互動的顯示方式。



## 警報和檢測標準

此表檢視警報的含義及其檢測條件。

	Anomalies/Defects	Detection criteria	ITU-T Rec.
<b>LOS</b>	Loss of Signal	Drop of incoming optical power level causes high bit error rate	G.958
<b>OOF</b>	Out of Frame	A1, A2 incorrect for $\geq 625 \mu\text{s}$	G.783
<b>LOF</b>	Loss of Frame	If OOF persists for $\geq 3 \text{ ms}$ (to be defined)	G.783
<b>RS BIP Error</b>	Regenerator Section BIP Error (B1)	Mismatch of the recovered and computed BIP-8 covers the whole STM-N frame	G.783
<b>RS-TIM</b>	Regenerator Section Trace Identifier Mismatch	Mismatch of the accepted and expected Trace Identifier in byte J0	G.783
<b>MS BIP Error</b>	Multiplex Section BIP Error (B2)	Mismatch of the recovered and computed N x BIP-24 covers the whole frame, except RSOH	G.783
<b>MS-AIS</b>	Multiplex Section AIS	K2 (bits 6, 7, 8) = 111 for $\geq 3$ frames	G.783
<b>MS-REI</b>	Multiplex Section Remote Error Indication	Number of detected B2 errors in the sink side encoded in byte M1 of the source side	G.707
<b>MS-RDI</b>	Multiplex Section Remote Defect Ind.	K2 (bits 6, 7, 8) = 110 for $\geq z$ frames ( $z = 3 - 5$ )	G.783
<b>AU-AIS</b>	Administrative Unit AIS	All *1* in the AU pointer bytes H1, H2	G.783
<b>AU-LOP</b>	Administrative Unit Loss of Pointer	8 - 10 NDF enable, 8 - 10 Invalid pointers	G.783
<b>HP BIP Error</b>	HO Path BIP Error (B3)	Mismatch of the recovered and computed BIP-8 covers entire VC-n	G.783
<b>HP-UNEQ</b>	HO Path Unequipped	C2 = "0" for $\geq 5$ frames	G.783
<b>HP-TIM</b>	HO Path Trace Identifier Mismatch	Mismatch of the accepted and expected Trace Identifier in byte J1	G.783
<b>HP-REI</b>	HO Path Remote Error Indication	Number of detected B3 errors in the sink side encoded in byte G1 (bits 1, 2, 3, 4) of the source side	G.707
<b>HP-RDI</b>	HO Path Remote Defect Indication	G1 (bit 5) = 1 for $\geq z$ frames ( $z = 3, 5$ or 10)	G.783
<b>HP-PLM</b>	HO Path Payload Label Mismatch	Mismatch of the accepted and expected Payload Label in byte C2	G.783
<b>TU-LOM</b>	Loss of Multiframe	H4 (bits 7, 8) multiframe not recovered for X m, X = 1 - 5 ms	G.783
<b>TU-AIS</b>	Tributary Unit AIS	All *1* in the TU pointer bytes V1, V2	G.783
<b>TU-LOP</b>	Loss of Pointer	8 - 10 NDF enable, 8 - 10 Invalid pointers	G.783
<b>LP BIP Error</b>	LO Path BIP Error	Mismatch of the recovered and computed BIP-8 (B3) or BIP-2 (V5 bits 1, 2) covers entire VC-n	G.783
<b>LP-UNEQ</b>	LO Path Unequipped	VC-3: C2 = *0* for $\geq 5$ frames, VC-m ( $m = 2, 11, 12$ ): V5 (bits 5, 6, 7) = 000 for $\geq 5$ multiframe	G.783
<b>LP-TIM</b>	LO Path Trace Identifier Mismatch	Mismatch of the accepted and expected Trace Identifier in byte J1 (VC-3) or J2	G.783
<b>LP-REI</b>	LO Path Remote Error Indication	VC-3: Number of detected B3 errors in the sink side encoded in byte G1 (bits 1, 2, 3, 4) of the source side, VC-m ( $m = 2, 11, 12$ ): If one or more BIP-2 errors detected in the sink side, byte V5 (bits 3) = 1 on the source side	G.707
<b>LP-RDI</b>	LO Path Remote Defect Indication	VC-3: G1 (bit 5) = 1 for $\geq z$ frames, VC-m ( $m = 2, 11, 12$ ): V5 (bit 8) = 1 for $\geq z$ multiframe ( $z = 3, 5$ or 10)	G.783
<b>LP-PLM</b>	LO Path Payload Label Mismatch	Mismatch of the accepted and expected Payload Label in byte C2 or V5 (bits 5, 6, 7)	G.783

## STM1 SOH、HO-POH和LO-POH位元組

以下圖表提供來自STM1 SOH、高階路徑額外負荷(HO-POH)和低階路徑額外負荷(LO-POH)的所有位元組的說明。

## **RSOH Regenerator Section Overhead**

**A1, A2:** Indicates the beginning of the STM-1 frame (A1:11110110, A2:00101000). The frame alignment word of an STM-N frame is composed of 3\*N A1 bytes followed by 3\*N A2 bytes.

**J0:** Regenerator section trace. Used to transmit a section access point identifier so that a section receiver can verify its continued connection to the intended transmitter.

**Z0:** Spare. Reserved for future international standardization.

**B1:** Regenerator section error monitoring. The BIP-8 is computed over all bits of the previous STM-N frame after scrambling and is placed in the B1 byte of the current frame before scrambling.

**E1:** Provides orderwire channels for voice communication between regenerators.

**F1:** Reserved for user purposes (e.g. temporary data/voice channel connections for special maintenance purposes).

**D1 - D3:** Data communication channels (DCC). A 192 kbit/s channel used from a central location for alarms, control, monitoring and administration functions.

## **AU Pointers**

**H1, H2:** Pointer bytes. The pointer contained in these bytes designates the location of the VC-n frame. The last ten bits (b7 - b16) carry the pointer value (binary number with a range of 0 to 782).

**H3:** Pointer action byte. It is used for frequency justification. Depending on the pointer value, this byte is used to adjust the fill input buffers. It only carries valid information in the event of negative justification, otherwise it's not defined.

## **MSOH Multiplex Section Overhead**

**B2:** Multiplex section error monitoring. The BIP-N \*24 is used to determine if a transmission error has occurred over a multiplex section. It is computed over all bits of the previous STM-N frame except for the first three rows and is placed in the B2 byte of the current frame.

**K1, K2:** Allocated for APS (Automatic Protection Switching) signaling for the protection of the multiplex section.

## Linear APS messages

ITU-T G.841 protection switching protocol	
K1 byte	Condition
<b>b1 - b4</b>	
1111	Lockout of protection
1110	Forced switch
1101	Signal fail high priority
1100	Signal fall low priority
1011	Signal degrade high priority
1010	Signal degrade low priority
1001	Unused
1000	Manual switch
0111	Unused
0110	Wait-to-restore
0101	Unused
0100	Exercise
0011	Unused
0010	Reserve request
0001	Do not revert
0000	No request
<b>b5 - b8</b>	Selects channel used by APS messages

K2 byte	Condition
<b>b1 - b4</b>	Selects bridged channel used
<b>b5</b>	Determines automatic protection switch architecture
<b>b6 - b8</b>	000 = Reserved for future use 001 = Reserved for future use 010 = Reserved for future use 011 = Reserved for future use 100 = Reserved for future use 101 = Reserved for future use 110 = MS-RDI 111 = MS-AIS

## Ring APS messages

ITU-T G.841 protection switching protocol	
K1 byte	Condition
<b>b1 - b4</b>	
1111	Lockout of protection (span) or signal fall (protection)
1110	Forced switch (span)
1101	Forced switch (ring)
1100	Signal fall (span)
1011	Signal fail (ring)
1010	Signal degrade (protection)
1001	Signal degrade (span)
1000	Signal degrade (ring)
0111	Manual switch (span)
0110	Manual switch (ring)
0101	Wait-to-restore
0100	Exerciser (span)
0011	Exerciser (ring)
0010	Reserve request (span)
0001	Reserve request (ring)
0000	No request
<b>b5 - b8</b>	Destination node ID

K2 byte	Condition
<b>b1 - b4</b>	Source node ID
<b>b5</b>	Path code: 0 = short path; 1 = long path
<b>b6 - b8</b>	000 = Idle 001 = Bridged 010 = Bridged and switched 011 = Reserved for future use 100 = Reserved for future use 101 = Reserved for future use 110 = MS-RDI

**D4 - D12:** Data communication channels (DCC). A 576 kbit/s channel is used from a central location for alarms, control, monitoring and administration functions.

**S1:** Synchronization status. Bits 5 - 8 are used to carry the synchronization messages. The following is an assignment of bit patterns to the four synchronization levels agreed to within ITU-T.

<b>S1 byte b5 - b8</b>	<b>SDH synchronization quality level description</b>
0000	Quality unknown (existing synchronization network)
0001	Reserved
0010	Rec. G.811
0011	Reserved
0100	SSU-A
0101	Reserved
0110	Reserved
0111	Reserved
1000	SSU-B
1001	Reserved
1010	Reserved
1011	(SEC) SDH Equipment Source
1100	Reserved
1101	Reserved
1110	Reserved
1111	Do not use for synchronization

**M1:** Allocated for use as a multiplex section REI. Conveys the count of interleaved bit blocks detected in error by B2.

**E2:** Provides orderwire channels for voice communication between multiplexers.

## **H0-POH** Higher Order Path Overhead

**J1:** The first byte in the virtual container. Its location is indicated by the AU pointer. A 64-byte free format string or a 16-byte frame is transmitted so that a path receiving terminal can verify its continued connection to the intended transmitter.

**B3:** Higher order path error monitoring. The BIP-8 is calculated over all bits of the previous VC-n. Computed value is placed in the B3 byte.

**C2:** Signal label. Indicates the composition or the maintenance status of the VC-n.

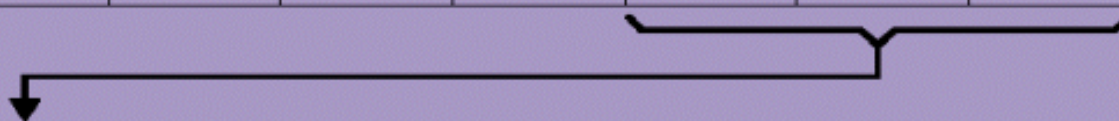


## C2 byte coding

b1 - b4	b5 - b8	Hex code	Interpretation
0000	0000	00	Unequipped or supervisory-unequipped
0000	0001	01	Equipped – nonspecific
0000	0010	02	TUG structure
0000	0011	03	Locked TU-n
0000	0100	04	Asynchronous mapping of 34 368 kbit/s or 44 736 kbit/s into the container-3 (C-3)
0001	0010	12	Asynchronous mapping of 139 264 kbit/s into the container-4 (C-4)
0001	0011	13	ATM mapping
0001	0100	14	MAN (DQDB) mapping
0001	0101	15	FDDI mapping
0001	0110	16	Mapping of HDLC framed signal
1100	1111	CF	Mapping of HDLC framed signal
1111	1110	FE	Test signal, 0.181 specific mapping
1111	1111	FF	VC-AIS

**G1:** Path status. Conveys the path status and performance back to the trail termination source as detected by a trail termination sink.

REI				RDI			Spare
b1	b2	b3	b4	b5	b6	b7	b8



### G1 (b5 - b7) coding and Interpretation

b5 - b7	Meaning	Triggers
000	No remote defect	No remote defect
001	No remote defect	No remote defect
010	Remote payload defect	LCD
011	No remote defect	No remote defect
100	Remote defect	AIS, LOP, TIM, UNEQ (or PLM, LCD)
101	Remote server defect	AIS, LOP
110	Remote connectivity defect	TIM, UNEQ
111	Remote defect	AIS, LOP, TIM, UNEQ (or PLM, LCD)

**F2, F3:** Path user channels. Allocated for user communication purposes between path elements and are payload dependent.

**H4:** Position and sequence indicator. Provides a multiframe and sequence indicator for virtual concatenation and a generalized position indicator for payloads.

**K3:** (b1 - b4) are allocated for higher order path Automatic Protection Switching (APS). (b5 - b8) are allocated for future use. Have no defined value. The receiver is required to ignore their content.

**N1:** Network operator byte. Allocated to provide a Tandem Connection Monitoring (TCM) function.

# N1 byte structure

IEC				TC-REI	OEI	TC-APId, TC-RDI ODI, reserved	
b1	b2	b3	b4	b5	b6	b7	b8



b7 - b8 multiframe structure	
Frame #	Bits 7 and 8 definition
1 - 8	Frame alignment signal: 1111 1111 1111 1110
9 - 12	TC-APId byte #1 [ 1 C <sub>1</sub> C <sub>2</sub> C <sub>3</sub> C <sub>4</sub> C <sub>5</sub> C <sub>6</sub> C <sub>7</sub> ]
13 - 16	TC APId byte #2 [ 0 X X X X X X X ]
17 - 20	TC APId byte #3 [ 0 X X X X X X X ]
⋮	⋮
⋮	⋮
65 - 68	TC APId byte #15 [ 0 X X X X X X X ]
69 - 72	TC APId byte #16 [ 0 X X X X X X X ]
73 - 76	TC-RDI, ODI and reserved

## Structure of frames # 73 - 76 of the b7 - b8 multiframe

TC-RDI, ODI and reserved capacity		
Frame #	b7 definition	b8 definition
73	Reserved (default = "0")	TC-RDI
74	ODI	Reserved (default = "0")
75	Reserved (default = "0")	Reserved (default = "0")
76	Reserved (default = "0")	Reserved (default = "0")

# LO-POH Lower Order Path Overhead

(for VC-11, VC-12, VC-2)

**V5:** Provides the functions of error checking, signal label and path status.

<b>BIP-2</b>		<b>REI</b>	<b>RFI</b>	<b>Signal label</b>			<b>RDI</b>
b1	b2	b3	b4	b5	b6	b7	b8

b5	b6	b7	Meaning
0	0	0	Unequipped or supervisory-unequipped
0	0	1	Equipped – nonspecific
0	1	0	Asynchronous
0	1	1	Bit synchronous
1	0	0	Byte synchronous
1	0	1	Reserved for future use
1	1	0	Test signal, 0.181 specific mapping
1	1	1	VC-AIS

**J2:** Lower order path trace Identifier. A 16-byte frame is transmitted so that a path receiving terminal can verify its continued connection to the intended transmitter.

**N2:** Network operator byte. Allocated to provide a Tandem Connection Monitoring (TCM) function

## N2 byte structure

BIP-2		"1"	Incoming AIS	TC-REI	OEI	TC-APId, TC-RDI ODI, reserved	
b1	b2	b3	b4	b5	b6	b7	b8



b7 - b8 multiframe structure	
Frame #	b7 - b8 definition
1 - 8	Frame alignment signal: 1111 1111 1111 1110
9 - 12	TC-APId byte #1 [ 1 C <sub>1</sub> C <sub>2</sub> C <sub>3</sub> C <sub>4</sub> C <sub>5</sub> C <sub>6</sub> C <sub>7</sub> ]
13 - 16	TC APId byte #2 [ 0 XXXXXXXX ]
17 - 20	TC APId byte #3 [ 0 XXXXXXXX ]
⋮	⋮
65 - 68	TC APId byte #15 [ 0 XXXXXXXX ]
69 - 72	TC APId byte #16 [ 0 XXXXXXXX ]
73 - 76	TC-RDI, ODI and reserved

Frame #	b7 definition	b8 definition
73	Reserved (default = "0")	TC-RDI
74	ODI	Reserved (default = "0")
75	Reserved (default = "0")	Reserved (default = "0")
76	Reserved (default = "0")	Reserved (default = "0")

**K4:** (b1 - b4) are allocated for higher order path Automatic Protection Switching (APS). (b5 - b7) are reserved for an optional use. If this option is not used, these bits shall be set to "000" or "111" and the receiver is required to ignore their content.

## K4 (b5 - b7) coding and triggers

b5	b6	b7	Meaning	Triggers
0	0	1	No remote defect	No remote defect
0	1	0	E-RDI payload defect	PLM
1	0	1	E-RDI server defect	AIS, LOP
1	1	0	E-RDI connectivity defect	TIM, UNEQ

## 相關資訊

- [光纖產品支援頁面](#)
- [技術支援與文件 - Cisco Systems](#)