

vPC对象跟踪

目录

[简介](#)

[vPC对象跟踪](#)

[网络图](#)

[基准显示命令](#)

简介

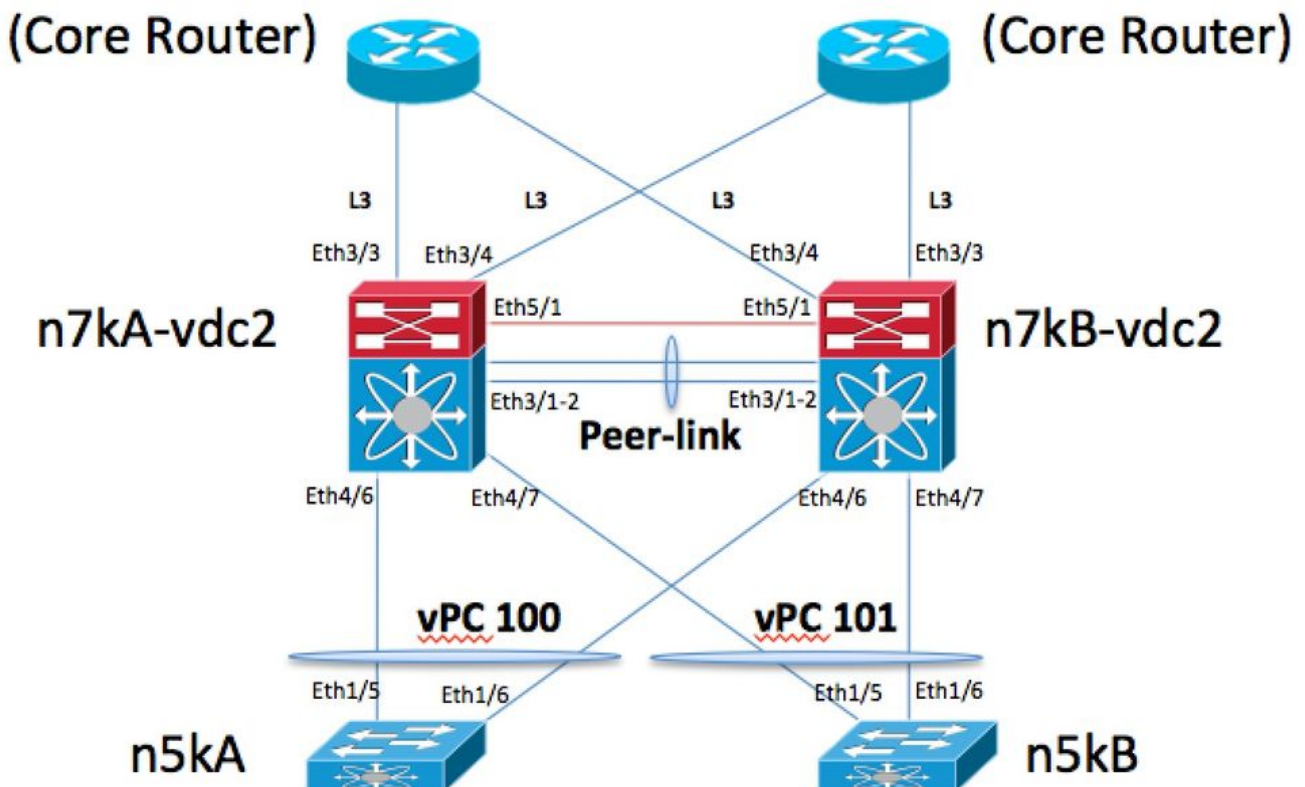
本文描述vPC对象跟踪，为什么使用，并且如何工作。

vPC对象跟踪

网络图

这是用于此演示的网络图：

vPC Object Tracking Topology



vPC对等体链路是1.以太网5/1是vPC对等体保活链路的Port-Channel。有通过在每个N7K方框的L3 /30链路e3/3和e3/4连接的两个核心路由器。 N5KA和N5KB模拟L2在vPC 100和vPC连接的交换机 vPC 101。 N7KA是vPC主要设备。

基准显示命令

N7KA :

```
N7KA-vdc2# show run vpc
```

```
!Command: show running-config vpc
!Time: Thu Sep 26 19:51:57 2013
```

```
version 6.1(4)
feature vpc
```

```
vpc domain 102
  peer-keepalive destination 1.1.1.2 source 1.1.1.1 vrf vpc-keepalive
  peer-gateway
  track 1
  auto-recovery
```

```
interface port-channel1
  vpc peer-link
```

```
interface port-channel100
  vpc 100
```

```
interface port-channel101
  vpc 101
```

```
N7KA-vdc2# show run track
```

```
!Command: show running-config track
!Time: Thu Sep 26 19:51:59 2013
```

```
version 6.1(4)
track 1 list boolean or
  object 2
  object 3
  object 4
track 2 interface port-channel1 line-protocol
track 3 interface Ethernet3/3 line-protocol
track 4 interface Ethernet3/4 line-protocol
```

```
N7KA-vdc2# show vpc brief
```

Legend:

(*) - local vPC is down, forwarding via vPC peer-link

```
vPC domain id           : 102
Peer status              : peer adjacency formed ok
vPC keep-alive status   : peer is alive
Configuration consistency status : success
Per-vlan consistency status : success
Type-2 consistency status : success
vPC role                 : primary
Number of vPCs configured : 2
Track object             : 1
Peer Gateway             : Enabled
```

Peer gateway excluded VLANs : -
Dual-active excluded VLANs : -
Graceful Consistency Check : Enabled
Auto-recovery status : Enabled (timeout = 240 seconds)

vPC Peer-link status

```
-----  
id  Port  Status Active vlans  
--  ----  -  
1   Po1   up     1
```

vPC status

```
-----  
id  Port  Status Consistency Reason      Active vlans  
--  ----  -  
100 Po100  up     success  success      1  
101 Po101  up     success  success      1
```

N7KA-vdc2# show track

Track 1

List Boolean or
Boolean or is UP
2 changes, last change 23:24:08
Track List Members:
object 4 UP
object 3 UP
object 2 UP
Tracked by:
vPCM 102

Track 2

Interface port-channell1 Line Protocol
Line Protocol is UP
1 changes, last change 23:26:59
Tracked by:
Track List 1

Track 3

Interface Ethernet3/3 Line Protocol
Line Protocol is UP
3 changes, last change 23:26:50
Tracked by:
Track List 1

Track 4

Interface Ethernet3/4 Line Protocol
Line Protocol is UP
3 changes, last change 23:26:48
Tracked by:
Track List 1

N7KA-vdc2#

N7KB :

N7KB-vdc2# show run vpc

!Command: show running-config vpc
!Time: Thu Sep 26 19:53:17 2013

version 6.1(4)
feature vpc

```
vpc domain 102
  peer-keepalive destination 1.1.1.1 source 1.1.1.2 vrf vpc-keepalive
  peer-gateway
  track 1
  auto-recovery
```

```
interface port-channel1
  vpc peer-link
```

```
interface port-channel100
  vpc 100
```

```
interface port-channel101
  vpc 101
```

```
N7KB-vdc2# show run track
```

```
!Command: show running-config track
!Time: Thu Sep 26 19:53:20 2013
```

```
version 6.1(4)
track 1 list boolean or
  object 2
  object 3
  object 4
track 2 interface port-channel1 line-protocol
track 3 interface Ethernet3/3 line-protocol
track 4 interface Ethernet3/4 line-protocol
```

```
N7KB-vdc2# show vpc brief
```

```
Legend:
```

```
(*) - local vPC is down, forwarding via vPC peer-link
```

```
vPC domain id           : 102
Peer status              : peer adjacency formed ok
vPC keep-alive status    : peer is alive
Configuration consistency status : success
Per-vlan consistency status : success
Type-2 consistency status : success
vPC role                 : secondary
Number of vPCs configured : 2
Track object             : 1
Peer Gateway             : Enabled
Peer gateway excluded VLANs : -
Dual-active excluded VLANs : -
Graceful Consistency Check : Enabled
Auto-recovery status     : Enabled (timeout = 240 seconds)
```

```
vPC Peer-link status
```

```
-----
id   Port   Status Active vlans
--   -
1    Po1    up      1
-----
```

```
vPC status
```

```
-----
id   Port   Status Consistency Reason           Active vlans
--   -
100  Po100  up      success    success                       1
101  Po101  up      success    success                       1
-----
```

```

N7KB-vdc2# show track
Track 1
  List Boolean or
  Boolean or is UP
  2 changes, last change 23:25:51
  Track List Members:
  object 4 UP
  object 3 UP
  object 2 UP
  Tracked by:
  vPCM                               102

Track 2
  Interface port-channel1 Line Protocol
  Line Protocol is UP
  1 changes, last change 23:29:09
  Tracked by:
  Track List 1

Track 3
  Interface Ethernet3/3 Line Protocol
  Line Protocol is UP
  3 changes, last change 23:28:55
  Tracked by:
  Track List 1

Track 4
  Interface Ethernet3/4 Line Protocol
  Line Protocol is UP
  3 changes, last change 23:28:56
  Tracked by:
  Track List 1

```

N7KB-vdc2#

vPC对象跟踪用于一个方案例如此。您有用于vPC对等体链路的一个M132模块以及对核心的L3 uplink端口。在您将丢失M132模块由于HW失败的事件您会丢失vPC对等体林克以及L3 uplink端口。如果这是为了发生在vPC附属方框(N7KB)这不是问题，因为可操作的主对等体会接管暂停vPC端口通道和VLAN接口在可操作的第二。问题是一旦可操作的主要设备的(N7KA)—HW失败。如果没有使用对象跟踪我们会暂停所有在N7KB以及VLAN接口的vPC端口通道。对等体链路也发生故障。您不会有一个方式路由核心流量到我们的在此方案的vPC VLAN。

对象跟踪避过此通过减少在可操作主要的vPC，以便我们不进入我们减少VLAN接口和vPC端口通道在方框有剩余的uplink端口对核心的此方案。

使用ethanalyzer，您看到vPC对等体保活消息：

```

N7KA# ethanalyzer local interface inband capture-filter "host 1.1.1.1 and host 1.1.1.2" limit-
captured-frames 4
Capturing on inband
2013-09-26 20:01:09.629309      1.1.1.2 -> 1.1.1.1      UDP Source port: 3200 D
estination port: 3200
2013-09-26 20:01:09.954909      1.1.1.1 -> 1.1.1.2      UDP Source port: 3200 D
estination port: 3200
2013-09-26 20:01:10.639097      1.1.1.2 -> 1.1.1.1      UDP Source port: 3200 D
estination port: 3200
2013-09-26 20:01:10.954944      1.1.1.1 -> 1.1.1.2      UDP Source port: 3200 D
estination port: 3200
4 packets captured
N7KA#

```

```
N7KB# ethanalyzer local interface inband capture-filter "host 1.1.1.1 and host 1.1.1.2" limit-
captured-frames 4
Capturing on inband
2013-09-26 20:00:22.606593      1.1.1.2 -> 1.1.1.1      UDP Source port: 3200  D
estination port: 3200
2013-09-26 20:00:22.922517      1.1.1.1 -> 1.1.1.2      UDP Source port: 3200  D
estination port: 3200
2013-09-26 20:00:23.616427      1.1.1.2 -> 1.1.1.1      UDP Source port: 3200  D
estination port: 3200
2013-09-26 20:00:23.922557      1.1.1.1 -> 1.1.1.2      UDP Source port: 3200  D
estination port: 3200
4 packets captured
N7KB#
```

现在您通过供给动力模拟N7KA的模块3失败模块：

```
N7KA# conf t
Enter configuration commands, one per line.  End with CNTL/Z.
N7KA(config)# poweroff mod 3
N7KA(config)# end
N7KA#
```

```
2013 Sep 26 20:03:25 N7KA %PLATFORM-2-PFM_MODULE_POWER_OFF: Manual power-off of Module 3  from
Command Line Interface
```

日志：

N7KA:

```
2013 Sep 26 20:03:28 N7KA-vdc2 %ETHPORT-5-IF_DOWN_INITIALIZING: Interface port-channel1 is down
(Initializing) 2013 Sep 26 20:03:28 N7KA-vdc2 %ETHPORT-5-IF_DOWN_MODULE_REMOVED: Interface
Ethernet3/3 is down (module removed) 2013 Sep 26 20:03:28 N7KA-vdc2 %ETHPORT-5-
IF_DOWN_MODULE_REMOVED: Interface Ethernet3/4 is down (module removed)
2013 Sep 26 20:03:28 N7KA-vdc2 %VPC-2-TRACK_INTFS_DOWN: In domain 102, vPC tracked interfaces
down, suspending all vPCs and keep-alive
2013 Sep 26 20:03:28 N7KA-vdc2 %ETHPORT-5-IF_DOWN_NONE: Interface port-channel101 is down (None)
2013 Sep 26 20:03:28 N7KA-vdc2 %ETHPORT-5-IF_DOWN_NONE: Interface port-channel100 is down (None)
2013 Sep 26 20:03:28 N7KA-vdc2 %ETH_PORT_CHANNEL-5-PORT_DOWN: port-channel101: Ethernet4/7 is
down 2013 Sep 26 20:03:28 N7KA-vdc2 %ETH_PORT_CHANNEL-5-PORT_DOWN: port-channel100: Ethernet4/6
is down
2013 Sep 26 20:03:28 N7KA-vdc2 %ETH_PORT_CHANNEL-5-FOP_CHANGED: port-channel101: first
operational port changed from Ethernet4/7 to none 2013 Sep 26 20:03:28 N7KA-vdc2
%ETH_PORT_CHANNEL-5-FOP_CHANGED: port-channel100: first operational port changed from
Ethernet4/6 to none
2013 Sep 26 20:03:28 N7KA-vdc2 %ETH_PORT_CHANNEL-5-PORT_DOWN: port-channel1: Ethernet3/1 is down
2013 Sep 26 20:03:28 N7KA-vdc2 %ETH_PORT_CHANNEL-5-PORT_DOWN: port-channel1: Ethernet3/2 is down
2013 Sep 26 20:03:28 N7KA-vdc2 %ETH_PORT_CHANNEL-5-FOP_CHANGED: port-channel1: first operational
port changed from Ethernet3/1 to none 2013 Sep 26 20:03:28 N7KA-vdc2 %ETHPORT-5-
IF_DOWN_PORT_CHANNEL_MEMBERS_DOWN: Interface port-channel1 is down (No operational members)
N7KB: 2013 Sep 26 20:02:39 N7KB-vdc2 %ETH_PORT_CHANNEL-5-FOP_CHANGED: port-channel1: first
operational port changed from Ethernet3/1 to none 2013 Sep 26 20:02:40 N7KB-vdc2
%ETH_PORT_CHANNEL-5-PORT_DOWN: port-channel1: Ethernet3/2 is down 2013 Sep 26 20:02:40 N7KB-vdc2
%ETHPORT-5-IF_DOWN_LINK_FAILURE: Interface Ethernet3/2 is down (Link failure)
2013 Sep 26 20:02:45 N7KB-vdc2 %VPC-2-PEER_KEEP_ALIVE_RECV_FAIL: In domain 102, VPC peer keep-
alive receive has failed
2013 Sep 26 20:02:45 N7KB-vdc2 %ETHPORT-5-IF_DOWN_PORT_CHANNEL_MEMBERS_DOWN: Interface port-
channel1 is down (No operational members)
2013 Sep 26 20:02:45 N7KB-vdc2 %ETH_PORT_CHANNEL-5-PORT_DOWN: port-channel1: Ethernet3/1 is down
2013 Sep 26 20:02:45 N7KB-vdc2 %ETHPORT-5-IF_DOWN_LINK_FAILURE: Interface Ethernet3/1 is down
(Link failure) 2013 Sep 26 20:02:45 N7KB-vdc2 %ETHPORT-5-IF_DOWN_PORT_CHANNEL_MEMBERS_DOWN:
```

Interface port-channel1 is down (No operational members)

现在您在此状态被留下。 N7KA是vPC主对等体，但是停止发送vPC对等体保活消息到N7KB，以便N7KB不去中止。 N7KB是有uplink端口的唯一的系统。

Note:在N7KB的e3/4连接对在是的N7KA的另一个VDC为什么也断开了。 点是您跟踪了接口在N7KB和无在N7KA，因此停止发送消息到在对等体保活链路的N7KB。

Ethanalyzer从N7KA输出了：

(公告，在TRACK_INTFS_DOWN Syslog我们不再派遣对等体keepalives对N7KB后，我们从是1.1.1.2)的N7KB只接收他们

```

2013-09-26 20:03:23.684887      1.1.1.1 -> 1.1.1.2      UDP Source port: 3200  Destination port:
3200
2013-09-26 20:03:23.685766      1.1.1.2 -> 1.1.1.1      UDP Source port: 3200  Destination port:
3200
2013-09-26 20:03:24.684863 1.1.1.1 -> 1.1.1.2 UDP Source port: 3200 Destination port: 3200 2013-
09-26 20:03:24.685580 1.1.1.2 -> 1.1.1.1 UDP Source port: 3200 Destination port: 3200 2013 Sep
26 20:03:25 N7KA-vdc2 %$ VDC-2 %$ %PLATFORM-2-PFM_MODULE_POWER_OFF: Manual power-off of Module 3
from Command Line Interface 2013 Sep 26 20:03:25 N7KA %$ VDC-1 %$ %PLATFORM-2-
PFM_MODULE_POWER_OFF: Manual power-off of Module 3 from Command Line Interface 2013-09-26
20:03:25.684869 1.1.1.1 -> 1.1.1.2 UDP Source port: 3200 Destination port: 3200 2013-09-26
20:03:25.685771 1.1.1.2 -> 1.1.1.1 UDP Source port: 3200 Destination port: 3200
2013-09-26 20:03:26.684835 1.1.1.1 -> 1.1.1.2 UDP Source port: 3200 Destination port: 3200 2013-
09-26 20:03:26.685716 1.1.1.2 -> 1.1.1.1 UDP Source port: 3200 Destination port: 3200
2013-09-26 20:03:27.690661 1.1.1.2 -> 1.1.1.1 UDP Source port: 3200 Destination port: 3200 2013-
09-26 20:03:27.691367 1.1.1.1 -> 1.1.1.2 UDP Source port: 3200 Destination port: 3200 2013 Sep
26 20:03:28 N7KA-vdc2 %$ VDC-2 %$ %PLATFORM-2-MOD_PWRDN: Module 3 powered down (Serial number
JAF1703ALTD) 2013 Sep 26 20:03:28 N7KA %$ VDC-1 %$ %PLATFORM-2-MOD_PWRDN: Module 3 powered down
(Serial number JAF1703ALTD) 2013 Sep 26 20:03:28 N7KA-vdc2 %$ VDC-2 %$ %VPC-2-TRACK_INTFS_DOWN:
In domain 102, vPC tracked interfaces down, suspending all vPCs and keep-alive 2013-09-26
20:03:28.700594 1.1.1.2 -> 1.1.1.1 UDP Source port: 3200 Destination port: 3200 2013-09-26
20:03:29.700538 1.1.1.2 -> 1.1.1.1 UDP Source port: 3200 Destination port: 3200 2013-09-26
20:03:30.700603 1.1.1.2 -> 1.1.1.1 UDP Source port: 3200 Destination port: 3200 2013-09-26
20:03:31.710665 1.1.1.2 -> 1.1.1.1 UDP Source port: 3200 Destination port: 3200 2013-09-26
20:03:32.720601 1.1.1.2 -> 1.1.1.1 UDP Source port: 3200 Destination port: 3200 2013-09-26
20:03:33.715295 1.1.1.2 -> 1.1.1.1 UDP Source port: 3200 Destination port: 3200 2013-09-26
20:03:34.713112 1.1.1.2 -> 1.1.1.1 UDP Source port: 3200 Destination port: 3200 2013-09-26
20:03:35.713177 1.1.1.2 -> 1.1.1.1 UDP Source port: 3200 Destination port: 3200

```

Ethanalyzer从N7KB输出了：

```

2013-09-26 20:02:36.651007      1.1.1.1 -> 1.1.1.2      UDP Source port: 3200  Destination port:
3200
2013-09-26 20:02:36.651534      1.1.1.2 -> 1.1.1.1      UDP Source port: 3200  Destination port:
3200

2013-09-26 20:02:37.651053      1.1.1.1 -> 1.1.1.2      UDP Source port: 3200  Destination port:
3200
2013-09-26 20:02:37.651644      1.1.1.2 -> 1.1.1.1      UDP Source port: 3200  Destination port:
3200

2013-09-26 20:02:38.650967      1.1.1.1 -> 1.1.1.2      UDP Source port: 3200  Destination port:
3200
2013-09-26 20:02:38.651579      1.1.1.2 -> 1.1.1.1      UDP Source port: 3200  Destination port:
3200

2013-09-26 20:02:39.656523      1.1.1.2 -> 1.1.1.1      UDP Source port: 3200  Destination port:

```

```
3200
2013-09-26 20:02:39.657500      1.1.1.1 -> 1.1.1.2      UDP Source port: 3200  Destination port:
3200
```

(Here we stop receiving keepalive messages from N7KA or 1.1.1.1):

```
2013-09-26 20:02:40.666531      1.1.1.2 -> 1.1.1.1      UDP Source port: 3200  Destination port:
3200
2013-09-26 20:02:41.666442      1.1.1.2 -> 1.1.1.1      UDP Source port: 3200  Destination port:
3200
2013-09-26 20:02:42.666479      1.1.1.2 -> 1.1.1.1      UDP Source port: 3200  Destination port:
3200
2013-09-26 20:02:43.676461      1.1.1.2 -> 1.1.1.1      UDP Source port: 3200  Destination port:
3200
2013-09-26 20:02:44.686478      1.1.1.2 -> 1.1.1.1      UDP Source port: 3200  Destination port:
3200
```

```
2013 Sep 26 20:02:45 N7KB-vdc2 %$ VDC-2 %$ %VPC-2-PEER_KEEP_ALIVE_RECV_FAIL: In domain 102, VPC
peer keep-alive receive has failed
```

```
2013-09-26 20:02:45.681050      1.1.1.2 -> 1.1.1.1      UDP Source port: 3200  Destination port:
3200
2013-09-26 20:02:46.678911      1.1.1.2 -> 1.1.1.1      UDP Source port: 3200  Destination port:
3200
2013-09-26 20:02:47.678918      1.1.1.2 -> 1.1.1.1      UDP Source port: 3200  Destination port:
3200
2013-09-26 20:02:48.678961      1.1.1.2 -> 1.1.1.1      UDP Source port: 3200  Destination port:
3200
```

N7KA :

```
N7KA-vdc2# sh vpc brief
```

Legend:

(*) - local vPC is down, forwarding via vPC peer-link

```
vPC domain id          : 102
Peer status             : peer link is down
vPC keep-alive status  : peer is alive
Configuration consistency status : success
Per-vlan consistency status : success
Type-2 consistency status : success
vPC role                : primary
Number of vPCs configured : 2
Track object            : 1
Peer Gateway            : Enabled
Peer gateway excluded VLANs : -
Dual-active excluded VLANs : -
Graceful Consistency Check : Enabled
Auto-recovery status    : Enabled (timeout = 240 seconds)
```

vPC Peer-link status

```
-----
id   Port   Status Active vlans
--   ----   -
1    Po1    down   -
```

vPC status

```
-----
id   Port   Status Consistency Reason          Active vlans
--   ----   -
100  Po100  down   success    success                      -
```


101 Po101 down success success -

N7KA-vdc2# show track

Track 1

List Boolean or
Boolean or is DOWN
3 changes, last change 00:20:50
Track List Members:
object 4 DOWN
object 3 DOWN
object 2 DOWN
Tracked by:
vPCM 102

Track 2

Interface port-channell1 Line Protocol
Line Protocol is DOWN
2 changes, last change 00:20:50
Tracked by:
Track List 1

Track 3

Interface Ethernet3/3 Line Protocol
Line Protocol is DOWN
4 changes, last change 00:20:50
Tracked by:
Track List 1

Track 4

Interface Ethernet3/4 Line Protocol
Line Protocol is DOWN
4 changes, last change 00:20:50
Tracked by:
Track List 1

N7KA-vdc2#

N7KB :

N7KB-vdc2# sh vpc brief

Legend:

(*) - local vPC is down, forwarding via vPC peer-link

vPC domain id : 102
Peer status : peer link is down
vPC keep-alive status : peer is alive
Configuration consistency status : success
Per-vlan consistency status : success
Type-2 consistency status : success
vPC role : secondary, operational primary
Number of vPCs configured : 2
Track object : 1
Peer Gateway : Enabled
Peer gateway excluded VLANs : -
Dual-active excluded VLANs : -
Graceful Consistency Check : Enabled
Auto-recovery status : Enabled (timeout = 240 seconds)

vPC Peer-link status

```
-----  
id  Port  Status Active vlans  
--  ---  -----  
1   Po1   down  -
```

vPC status

id	Port	Status	Consistency	Reason	Active vlans
100	Po100	up	success	success	1
101	Po101	up	success	success	1

N7KB-vdc2# sh track

Track 1

List Boolean or
Boolean or is UP
2 changes, last change 23:57:10

Track List Members:

object 4 DOWN

object 3 UP

object 2 DOWN

Tracked by:

vPCM 102

Track 2

Interface port-channell1 Line Protocol

Line Protocol is DOWN

2 changes, last change 00:22:04

Tracked by:

Track List 1

Track 3

Interface Ethernet3/3 Line Protocol

Line Protocol is UP

3 changes, last change 1d00h

Tracked by:

Track List 1

Track 4

Interface Ethernet3/4 Line Protocol

Line Protocol is DOWN

4 changes, last change 00:22:04

Tracked by:

Track List 1

N7KB-vdc2#

现在您能恢复设置：

N7KA# conf t

Enter configuration commands, one per line. End with CNTL/Z.

N7KA(config)# no poweroff mod 3

N7KA(config)# end

N7KA#

2013 Sep 26 20:26:53 N7KA %PLATFORM-2-PFM_MODULE_POWER_ON: Manual power-on of Module 3 from Command Line Interface

2013 Sep 26 20:26:56 N7KA %PLATFORM-2-MOD_DETECT: Module 3 detected (Serial number JAF1703ALTD) Module-Type 10 Gbps Ethernet XL Module Model N7K-M132XP-12L

2013 Sep 26 20:26:56 N7KA %PLATFORM-2-MOD_PWRUP: Module 3 powered up (Serial number JAF1703ALTD)

2013 Sep 26 20:26:56 N7KA %PLATFORM-5-MOD_STATUS: Module 3 current-status is MOD_STATUS_POWERED_UP

N7KA :

N7KA-vdc2# sh vpc brief

Legend:

(*) - local vPC is down, forwarding via vPC peer-link

vPC domain id : 102
Peer status : peer adjacency formed ok
vPC keep-alive status : peer is alive
Configuration consistency status : success
Per-vlan consistency status : success
Type-2 consistency status : success
vPC role : primary, operational secondary
Number of vPCs configured : 2
Track object : 1
Peer Gateway : Enabled
Peer gateway excluded VLANs : -
Dual-active excluded VLANs : -
Graceful Consistency Check : Enabled
Auto-recovery status : Enabled (timeout = 240 seconds)

vPC Peer-link status

id	Port	Status	Active vlans
1	Po1	up	1

vPC status

id	Port	Status	Consistency	Reason	Active vlans
100	Po100	up	success	success	1
101	Po101	up	success	success	1

N7KA-vdc2# sh track

Track 1

List Boolean or
Boolean or is UP
4 changes, last change 00:01:44
Track List Members:
object 4 UP
object 3 UP
object 2 UP
Tracked by:
vPCM 102

Track 2

Interface port-channell1 Line Protocol
Line Protocol is UP
3 changes, last change 00:01:40
Tracked by:
Track List 1

Track 3

Interface Ethernet3/3 Line Protocol
Line Protocol is UP
5 changes, last change 00:01:43
Tracked by:
Track List 1

Track 4

Interface Ethernet3/4 Line Protocol
Line Protocol is UP

5 changes, last change 00:01:44

Tracked by:

Track List 1

N7KA-vdc2#

N7KB :

N7KB-vdc2# sh vpc brief

Legend:

(*) - local vPC is down, forwarding via vPC peer-link

vPC domain id : 102
Peer status : peer adjacency formed ok
vPC keep-alive status : peer is alive
Configuration consistency status : success
Per-vlan consistency status : success
Type-2 consistency status : success
vPC role : secondary, operational primary
Number of vPCs configured : 2
Track object : 1
Peer Gateway : Enabled
Peer gateway excluded VLANs : -
Dual-active excluded VLANs : -
Graceful Consistency Check : Enabled
Auto-recovery status : Enabled (timeout = 240 seconds)

vPC Peer-link status

```
-----  
id  Port  Status Active vlans  
--  ----  -----  
1   Po1   up     1
```

vPC status

```
-----  
id  Port  Status Consistency Reason      Active vlans  
--  ----  -----  
100 Po100  up     success  success    1  
101 Po101  up     success  success    1
```

N7KB-vdc2# sh track

Track 1

List Boolean or

Boolean or is UP

2 changes, last change 1d00h

Track List Members:

object 4 UP

object 3 UP

object 2 UP

Tracked by:

vPCM 102

Track 2

Interface port-channell1 Line Protocol

Line Protocol is UP

3 changes, last change 00:02:07

Tracked by:

Track List 1

Track 3

Interface Ethernet3/3 Line Protocol

Line Protocol is UP

3 changes, last change 1d00h

Tracked by:

Track List 1

Track 4

Interface Ethernet3/4 Line Protocol

Line Protocol is UP

5 changes, last change 00:02:09

Tracked by:

Track List 1

N7KB-vdc2#

在vPC对等体保活失败的详细信息：

重新运行测验为了发现什么发生与对等体保活链路。

发送双向keepalives -当前一切是上和可操作的：

```
2013-09-26 20:32:12.532319      1.1.1.1 -> 1.1.1.2      UDP Source port: 3200  Destination port:
3200
2013-09-26 20:32:12.533083      1.1.1.2 -> 1.1.1.1      UDP Source port: 3200  Destination port:
3200
2013-09-26 20:32:13.532485 1.1.1.1 -> 1.1.1.2 UDP Source port: 3200 Destination port: 3200 2013-
09-26 20:32:13.533147 1.1.1.2 -> 1.1.1.1 UDP Source port: 3200 Destination port: 3200
```

现在再请关闭M132模块3在N7KA：

```
2013 Sep 26 20:32:14 N7KA %$ VDC-1 %$ %PLATFORM-2-PFM_MODULE_POWER_OFF: Manual power-off of
Module 3 from Command Line Interface
2013 Sep 26 20:32:14 N7KA-vdc3 %$ VDC-3 %$ %PLATFORM-2-PFM_MODULE_POWER_OFF: Manual power-off of
Module 3 from Command Line Interface
2013 Sep 26 20:32:14 N7KA-vdc2 %$ VDC-2 %$ %PLATFORM-2-PFM_MODULE_POWER_OFF: Manual power-off of
Module 3 from Command Line Interface
```

```
2013-09-26 20:32:14.532364      1.1.1.1 -> 1.1.1.2      UDP Source port: 3200  Destination port:
3200
2013-09-26 20:32:14.533217      1.1.1.2 -> 1.1.1.1      UDP Source port: 3200  Destination port:
3200

2013-09-26 20:32:15.532453      1.1.1.1 -> 1.1.1.2      UDP Source port: 3200  Destination port:
3200
2013-09-26 20:32:15.533158      1.1.1.2 -> 1.1.1.1      UDP Source port: 3200  Destination port:
3200

2013-09-26 20:32:16.532452      1.1.1.1 -> 1.1.1.2      UDP Source port: 3200  Destination port:
3200
2013-09-26 20:32:16.536224      1.1.1.2 -> 1.1.1.1      UDP Source port: 3200  Destination port:
3200
```

```
2013 Sep 26 20:32:17 N7KA %$ VDC-1 %$ %PLATFORM-2-MOD_PWRDN: Module 3 powered down (Serial
number JAF1703ALTD)
2013 Sep 26 20:32:17 N7KA-vdc3 %$ VDC-3 %$ %PLATFORM-2-MOD_PWRDN: Module 3 powered down (Serial
number JAF1703ALTD)
2013 Sep 26 20:32:16 N7KA-vdc2 %$ VDC-2 %$ %VPC-2-TRACK_INTFS_DOWN: In domain 102, vPC tracked
interfaces down, suspending all vPCs and keep-alive
2013 Sep 26 20:32:17 N7KA-vdc2 %$ VDC-2 %$ %PLATFORM-2-MOD_PWRDN: Module 3 powered down (Serial
number JAF1703ALTD)
```

现在您看到仅N7KB (1.1.1.2)发送保活信息对N7KA (1.1.1.1)：

```

2013-09-26 20:32:17.549161      1.1.1.2 -> 1.1.1.1      UDP Source port: 3200 Destination port:
3200
2013-09-26 20:32:18.549352      1.1.1.2 -> 1.1.1.1      UDP Source port: 3200 Destination port:
3200
2013-09-26 20:32:19.549294      1.1.1.2 -> 1.1.1.1      UDP Source port: 3200 Destination port:
3200
2013-09-26 20:32:20.549358      1.1.1.2 -> 1.1.1.1      UDP Source port: 3200 Destination port:
3200
2013-09-26 20:32:21.549303      1.1.1.2 -> 1.1.1.1      UDP Source port: 3200 Destination port:
3200
2013-09-26 20:32:22.549991      1.1.1.2 -> 1.1.1.1      UDP Source port: 3200 Destination port:
3200

```

您看到N7KB的状态显示对等体保活的失败：

```
N7KB-vdc2# sh vpc brief
```

Legend:

```
(*) - local vPC is down, forwarding via vPC peer-link
```

```

vPC domain id          : 102
Peer status            : peer link is down
vPC keep-alive status  : peer is not reachable through peer-keepalive
Configuration consistency status : success
Per-vlan consistency status : success
Type-2 consistency status : success
vPC role               : secondary, operational primary
Number of vPCs configured : 2
Track object          : 1
Peer Gateway          : Enabled
Peer gateway excluded VLANs : -
Dual-active excluded VLANs : -
Graceful Consistency Check : Enabled
Auto-recovery status   : Enabled (timeout = 240 seconds)

```

```
vPC Peer-link status
```

```

-----
id  Port  Status Active vlans
--  ---  -----
1   Po1   down   -

```

```
vPC status
```

```

-----
id  Port  Status Consistency Reason          Active vlans
--  ---  -----
100 Po100 up     success  success                      1
101 Po101 up     success  success                      1

```

```
N7KB-vdc2#
```

现在您开始在短期(90秒)之后再收到保活信息从N7KA：

```
<snip>
```

```

2013-09-26 20:33:42.630255      1.1.1.2 -> 1.1.1.1      UDP Source port: 3200 Destination port:
3200
2013-09-26 20:33:43.630199      1.1.1.2 -> 1.1.1.1      UDP Source port: 3200 Destination port:
3200
2013-09-26 20:33:44.630263      1.1.1.2 -> 1.1.1.1      UDP Source port: 3200 Destination port:
3200
2013-09-26 20:33:45.640201      1.1.1.2 -> 1.1.1.1      UDP Source port: 3200 Destination port:

```

```

3200
2013-09-26 20:33:46.650262      1.1.1.2 -> 1.1.1.1      UDP Source port: 3200  Destination port:
3200

2013-09-26 20:33:47.652445      1.1.1.1 -> 1.1.1.2      UDP Source port: 3200  Destination port:
3200
2013-09-26 20:33:47.660318      1.1.1.2 -> 1.1.1.1      UDP Source port: 3200  Destination port:
3200

2013-09-26 20:33:48.652768      1.1.1.2 -> 1.1.1.1      UDP Source port: 3200  Destination port:
3200
2013-09-26 20:33:48.653347      1.1.1.1 -> 1.1.1.2      UDP Source port: 3200  Destination port:
3200

2013-09-26 20:33:49.652409      1.1.1.1 -> 1.1.1.2      UDP Source port: 3200  Destination port:
3200
2013-09-26 20:33:49.652705      1.1.1.2 -> 1.1.1.1      UDP Source port: 3200  Destination port:
3200

2013-09-26 20:33:50.652423      1.1.1.1 -> 1.1.1.2      UDP Source port: 3200  Destination port:
3200
2013-09-26 20:33:50.652773      1.1.1.2 -> 1.1.1.1      UDP Source port: 3200  Destination port:
3200

2013-09-26 20:33:51.652401      1.1.1.1 -> 1.1.1.2      UDP Source port: 3200  Destination port:
3200
2013-09-26 20:33:51.652839      1.1.1.2 -> 1.1.1.1      UDP Source port: 3200  Destination port:
3200

```

然后您看到N7KB的最新的状态(显示对等体运行) :

```
N7KB-vdc2# sh vpc brief
```

Legend:

(*) - local vPC is down, forwarding via vPC peer-link

```

vPC domain id           : 102
Peer status             : peer link is down
vPC keep-alive status   : peer is alive
Configuration consistency status : success
Per-vlan consistency status : success
Type-2 consistency status : success
vPC role                 : secondary, operational primary
Number of vPCs configured : 2
Track object            : 1
Peer Gateway            : Enabled
Peer gateway excluded VLANs : -
Dual-active excluded VLANs : -
Graceful Consistency Check : Enabled
Auto-recovery status    : Enabled (timeout = 240 seconds)

```

vPC Peer-link status

```

-----
id   Port   Status Active vlans
--   ----   -
1    Po1    down   -

```

vPC status

```

-----
id   Port   Status Consistency Reason           Active vlans
--   ----   -
100  Po100  up     success    success                       1

```

101 Po101 up success success

1

N7KB-vdc2#