

用 TACACS+ 配置 PPP 回呼

目录

[简介](#)

[先决条件](#)

[要求](#)

[使用的组件](#)

[规则](#)

[配置](#)

[网络图](#)

[带有服务器指定号码的 PPP 回拨](#)

[带有用户指定号码的 PPP 回拨](#)

[路由器配置](#)

[验证](#)

[故障排除](#)

[故障排除命令](#)

[调试输出示例](#)

[相关信息](#)

简介

本文显示路由器和AAA服务器的配置示例执行与TACACS+的点对点协议(PPP)回拨。使用Windows 2000客户端指定的由AAA服务器或回拨号码的两示例包括。

- 执行初始测试与本地认证和回拨(请删除`aaa new-model`命令)。如果回拨不与本地认证一起使用，不与TACACS+一起使用。参考[配置在一个路由器和一个Windows PC之间的MS回拨](#)示例的如何使用本地认证。
- 执行进一步PPP认证测试与TACACS+，不用回拨。如果用户FAIL验证和授权没有回拨，认证和授权不与回拨一起使用。
- 一旦回拨的与TACACS+的本地认证和PPP认证工作，从路由器的本地用户请添加信息(例如回拨拨号字符串)到在服务器的用户配置文件。

注意： 这些测验的客户端是Windows 2000 Professional客户端，DUN，为一PPP连接照常设置，与Microsoft回叫设置作为“要求我在正在拨号期间，当服务器提示时”。Microsoft 回拨在 Cisco IOS® 软件版本 11.3.2.T 及更高版本中受支持。

先决条件

要求

本文档没有任何特定的要求。

使用的组件

本文档中的信息基于以下软件和硬件版本：

- Cisco IOS软件版本12.1(7)aa
- Cisco Secure ACS UNIX 2.3(2)
- Cisco Secure ACS for Windows 3.3
- TACACS免费软件后台程序4.0(3)

本文档中的信息都是基于特定实验室环境中的设备编写的。本文档中使用的所有设备最初均采用原始（默认）配置。如果您使用的是真实网络，请确保您已经了解所有命令的潜在影响。

规则

有关文档规则的详细信息，请参阅 [Cisco 技术提示规则](#)。

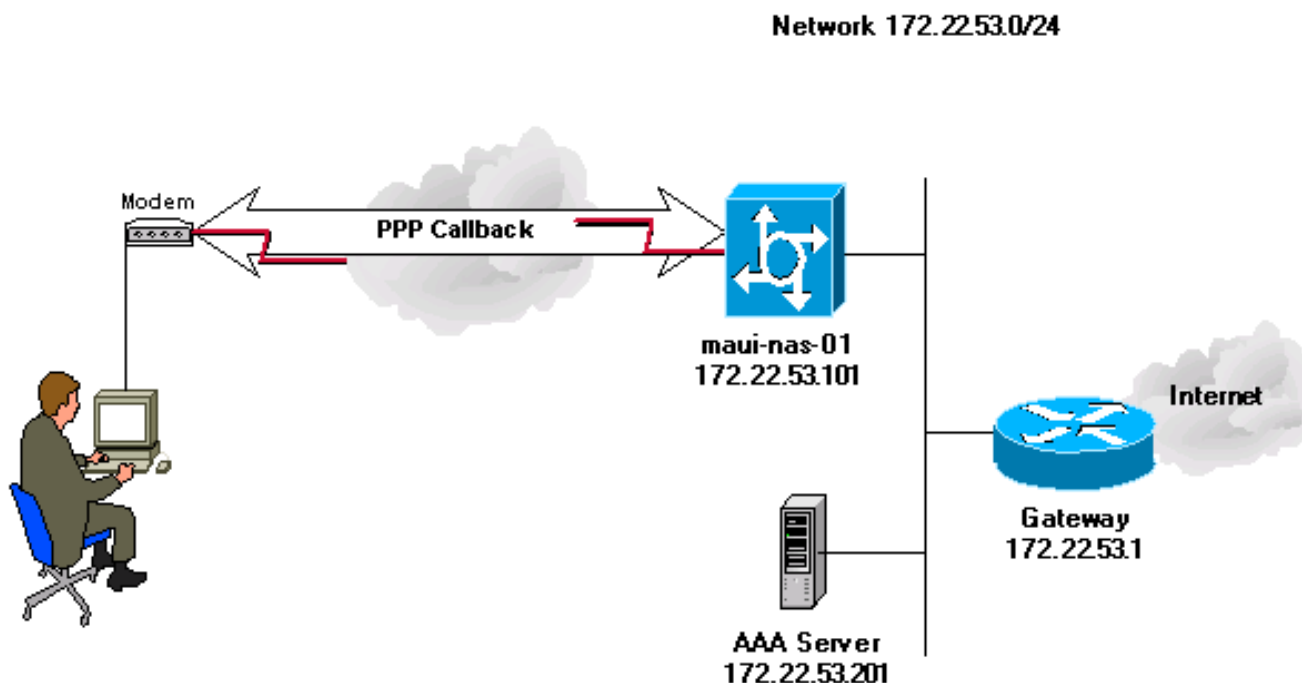
配置

本部分提供有关如何配置本文档所述功能的信息。

注意：要查找本文档所用命令的其他信息，请使用[命令查找工具](#)（[仅限注册用户](#)）。

网络图

本文档使用此图所示的网络设置。



带有服务器指定号码的 PPP 回拨

服务器配置

这些是PPP回呼的AAA服务器配置用AAA服务器指定的电话号码。

服务器设置- Cisco Secure ACS for Windows

- 要启用用户和组的LCP选项，请去Interface Configuration屏幕，选择TACACS+ (Cisco IOS)，并且保证PPP IP和PPP LCP选项被检查用户和组。
- 回拨在组或用户设置可能配置。**配置回拨的一组**：在Group Setup屏幕，在回拨下，请选择选项**使用Windows数据库回拨设置**(在ACS早版本此选项叫作“使用Microsoft NT回拨设置”)。然后请检查选项PPP IP和PPP LCP。在空白字段选择**回拨线路**和类型**84007**。对于是组的组员的用户，请去**User Setup**屏幕并且选择**使用组设置**在回拨下。单击 **Submit+ Restart**。**配置回拨的个人用户**：在User Setup屏幕，在回拨下，请选择**回拨使用此编号**和类型**84007**在空白字段。然后请检查选项PPP IP和PPP LCP。单击 **Submit+ Restart**。

服务器设置- Cisco Secure UNIX

```
<coachella>/export/home/brownr> ViewProfile -p 9900 -u callback_user
User Profile Information
user = callback_user{
profile_id = 113
profile_cycle = 15
member = ccie_study
password = chap "*****"
service=ppp {
protocol=ip {
}
protocol=lcp {
set callback-dialstring=84007
}
}
}
```

服务器设置- TACACS+免费软件

```
user = callback_user {
chap= cleartext "chapuser"
service = ppp protocol = lcp {
callback-dialstring=84007
}
service = ppp protocol = ip {
}
}
```

[带有用户指定号码的 PPP 回拨](#)

示例前在本文是回拨在一个预定义的编号(指定在AAA服务器)。回拨可能也完成在用户指定号码使用回拨号码和指定作为在AAA服务器的空。这会致路由器要求用户提供回拨号码。初始测试应该完成与指定的本地回叫。参考在[接入服务器和PC](#)示例之间的[异步PPP回呼](#)并且注意到，“回叫拨号字符串”指定作为报价单(“”)。

这些测验的客户端照常是Windows 2000 Professional客户端，设置一PPP连接的，与Microsoft回叫设置作为“呼叫我回到在下面的编号”。

注意：显示的[网络图](#)和[路由器配置](#)适用于讨论的回叫配置此处。

[服务器配置](#)

显示此处PPP回呼的AAA服务器配置用用户指定的电话号码。

服务器设置- Windows的Cisco Secure

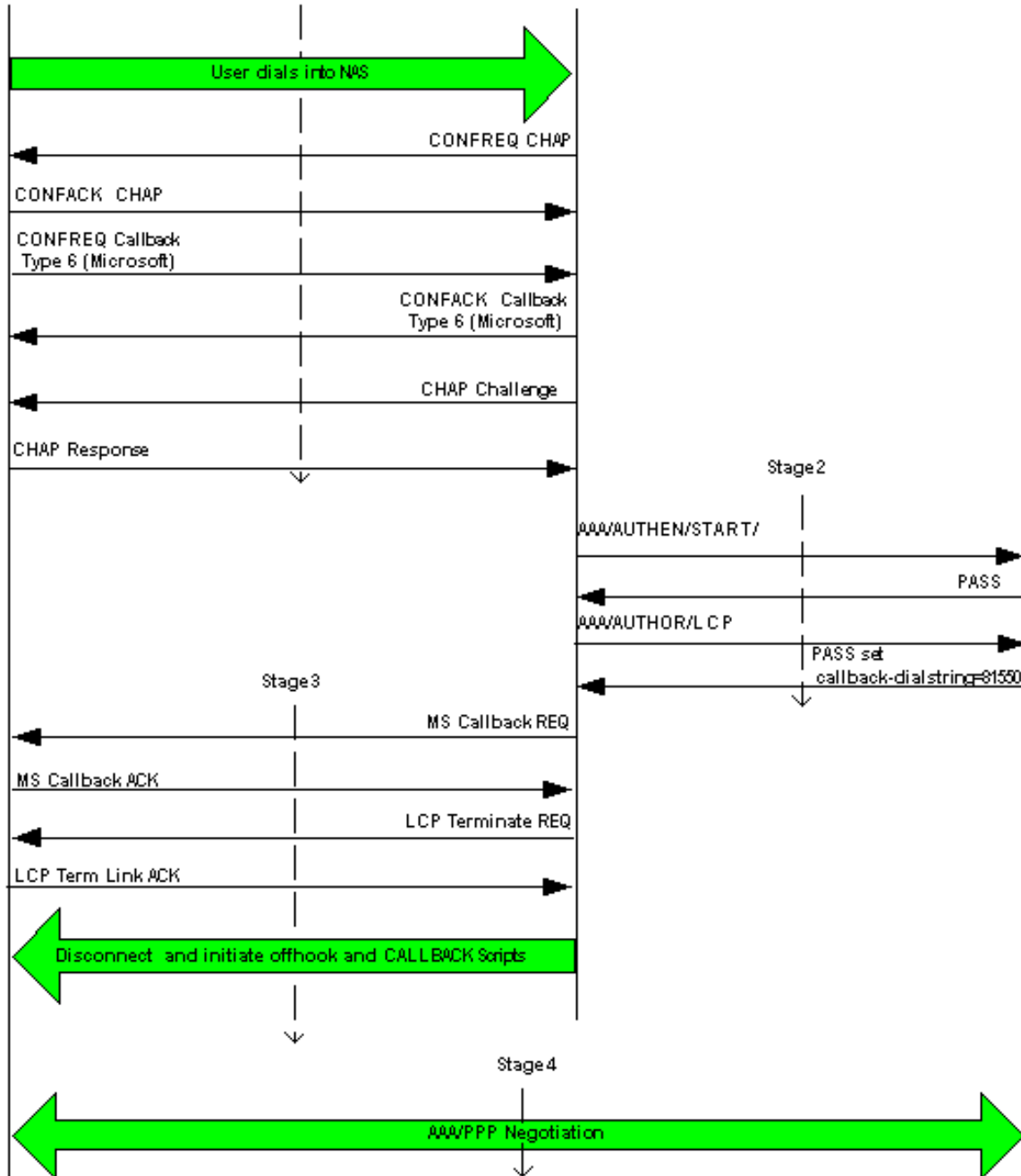
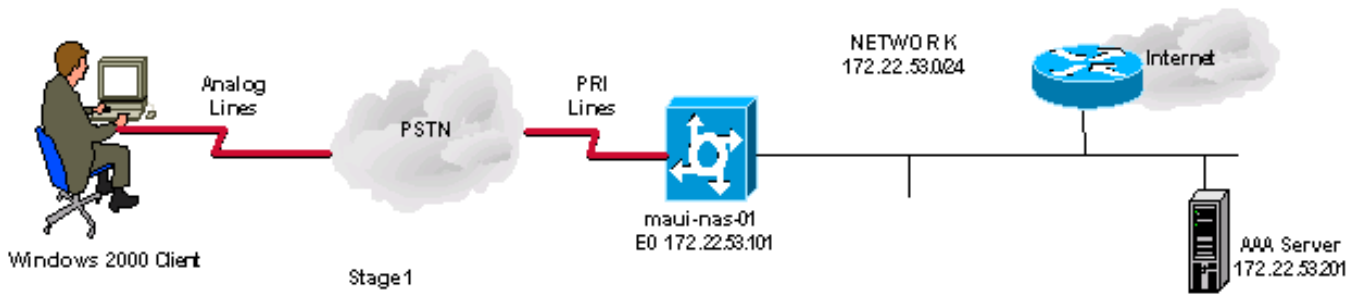
- 要启用用户和组的LCP选项，请去Interface Configuration屏幕，选择TACACS+ (Cisco IOS)，并且保证PPP IP和PPP LCP选项被检查用户和组。
- 回拨在组或用户设置可能配置。**配置回拨的一组**：在Group Setup屏幕，在回拨下，请选择**拨号客户端的选项指定回拨号码**。然后请检查选项PPP IP和PPP LCP。对于是组的组员的用户，请去User Setup屏幕并且选择**使用组设置在回拨下**。单击 Submit+ Restart。**配置回拨的个人用户**：在User Setup屏幕，在回拨下，请选择**拨号客户端的选项指定回拨号码**。然后请检查选项PPP IP和PPP LCP。单击 Submit+ Restart。

服务器设置- Cisco Secure UNIX

```
<coachella>ViewProfile -p 9900 -u callback_user
User Profile Information
user = callback_user{
profile_id = 113
profile_cycle = 15
member = ccie_study
password = chap "*****"
service=ppp {
protocol=ip {
}
protocol=lcp {
set callback-dialstring=""
}
}
}
}
```

服务器设置- TACACS+免费软件

```
user = callback_user {
chap= cleartext "chapuser"
service = ppp protocol = lcp {
callback-dialstring=""
}
service = ppp protocol = ip {
}
}
```



路由器配置

NAS 配置

AS5200

```
maui-nas-01#show run Building configuration... Current
configuration : 2882 bytes ! version 12.1 no service pad
service tcp-keepalives-in service timestamps debug
datetime msec localtime show-timezone service timestamps
log datetime msec localtime show-timezone service
```

```
password-encryption ! hostname maui-nas-01 ! logging
buffered 4096 debugging no logging console guaranteed no
logging console !--- Basic AAA configuration using
TACACS+ as the primary method, !--- local if the ERROR
is received during negotiation. !--- Disable AAA
authentication and authorization on console port. aaa
new-model aaa authentication login default group tacacs+
local aaa authentication login NO_AUTHEN none aaa
authentication ppp default if-needed group tacacs+ local
aaa authorization exec default group tacacs+ local aaa
authorization exec NO_AUTHOR none aaa authorization
network default group tacacs+ local enable secret
<snipped> ! username admin password <snipped> spe 1/0
1/23 firmware location feature_card_flash spe 2/0 2/4 !
resource-pool disable ! clock timezone CST -6 clock
summer-time CST recurring modem recovery action none ip
subnet-zero no ip source-route no ip finger no ip
domain-lookup ip name-server 172.22.53.210 ! no ip bootp
server isdn switch-type primary-ni ! !--- Chat scripts
"offhook" and "CALLBACK" !--- used intuitively to go
offhook and callback clients. chat-script CALLBACK ABORT
ERROR ABORT BUSY "" "AT" OK "ATDT \T" TIMEOUT 30 CONNECT
\c chat-script offhook "" "ATH1" OK \c ! controller T1 0
framing esf clock source line primary linecode b8zs pri-
group timeslots 1-24 ! interface Ethernet0 ip address
172.22.53.101 255.255.255.0 no ip route-cache no ip
mroute-cache no cdp enable ! interface Serial0:23 no ip
address encapsulation ppp no ip route-cache isdn switch-
type primary-ni isdn incoming-voice modem isdn bchan-
number-order ascending no cdp enable ! interface Group-
Async1 ip unnumbered Ethernet0 encapsulation ppp no ip
route-cache ip tcp header-compression passive no ip
mroute-cache async mode interactive peer default ip
address pool IP_POOL no cdp enable !--- Allows "group-
async 1" to accept PPP callback requests from clients.
!--- Use Challenge Authentication Protocol (CHAP) for
authentication !--- on incoming calls. ppp callback
accept ppp authentication chap callin group-range 1 48 !
ip local pool IP_POOL 172.22.53.141 172.22.53.148 ip
default-gateway 172.22.53.1 no ip http server ip
classless ip route 0.0.0.0 0.0.0.0 172.22.53.1 ! no cdp
run tacacs-server host 172.22.53.201 key <snipped> !
line con 0 authorization exec NO_AUTHOR login
authentication NO_AUTHEN transport input none line 1 48
!--- Specifies chat scripts used during callback to
clients. script modem-off-hook offhook script callback
CALLBACK modem InOut transport preferred none transport
input all transport output none autoselect during-login
autoselect ppp callback forced-wait 5 line aux 0 line
vty 0 4 ! ntp server 172.22.53.1 end
```

验证

当前没有可用于此配置的验证过程。

故障排除

本部分提供的信息可用于对配置进行故障排除。

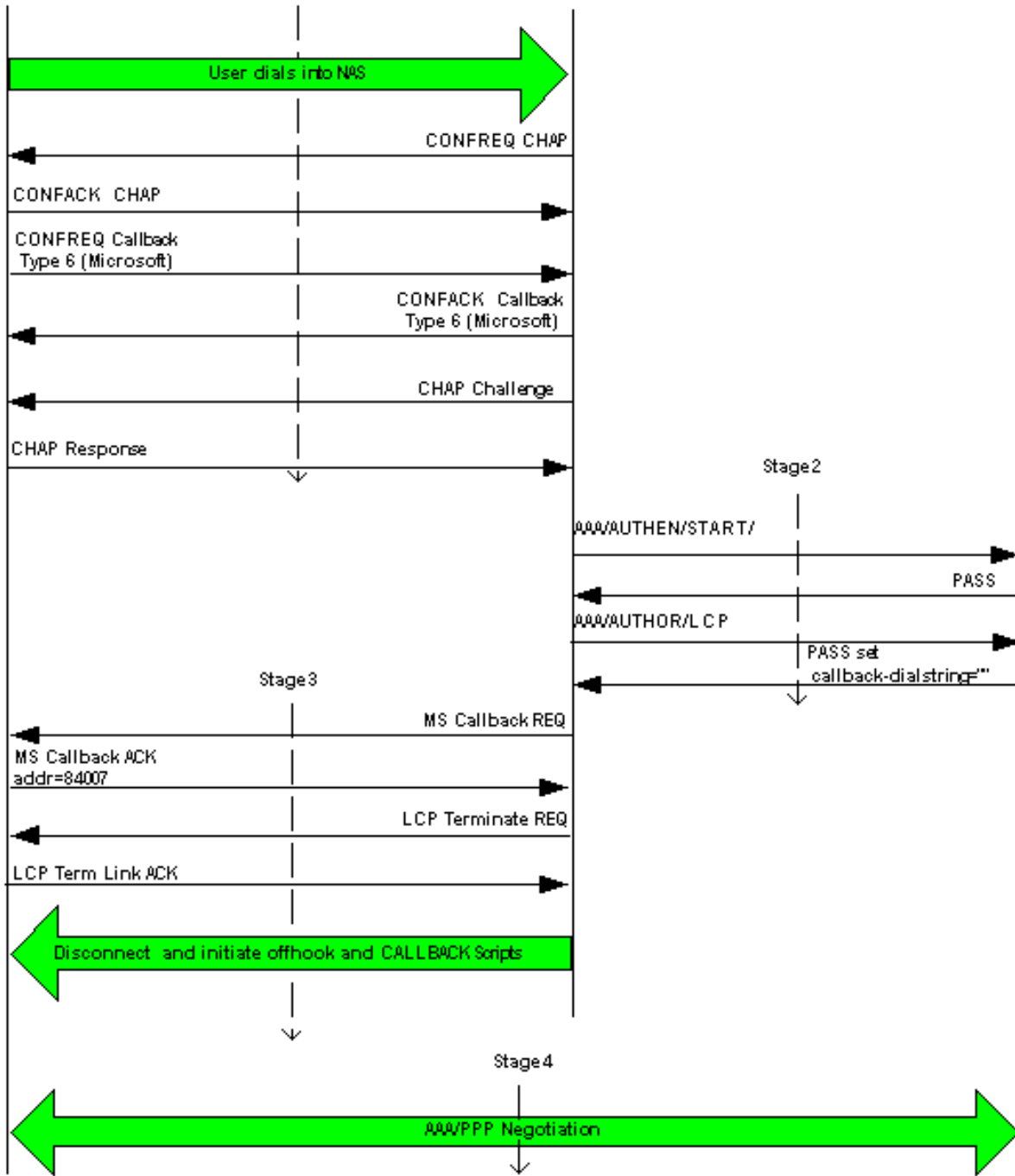
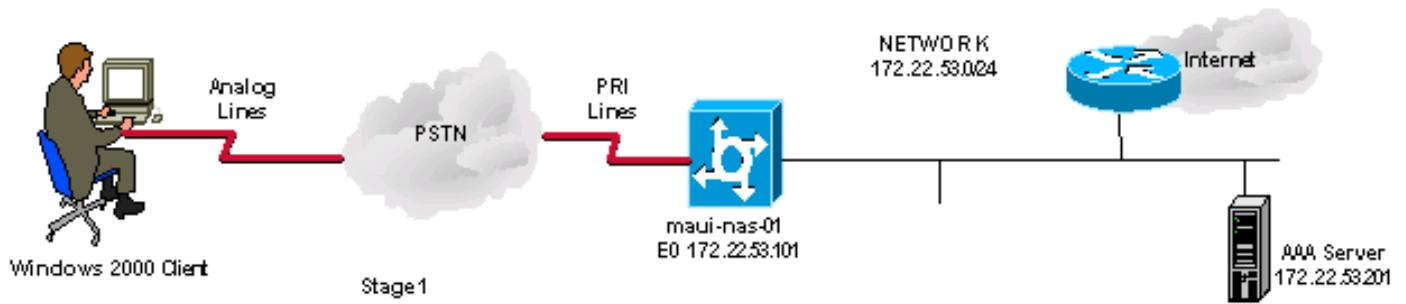
故障排除命令

注意：在发出 debug 命令之前，请参阅[有关 Debug 命令的重要信息](#)。

- **debug aaa authentication** - 显示有关 AAA 身份验证的信息。
- **debug aaa authorization** - 显示有关 AAA 授权的信息。
- **debug callback** —，当路由器使用一个调制解调器和一个对话脚本呼叫在终端线路时的上一步显示回拨事件。
- **debug chat** —显示字符发送在网络接入服务器(NAS)和PC之间。聊天脚本是定义数据终端设备(DTE)-DTE 或 DTE-数据通信设备(DCE)设备之间的握手的一组期望发送的字符串对。
- **debug modem** - 显示接入服务器上的调制解调器线路活动情况。
- **debug ppp negotiation** — 显示在 PPP 启动期间传输的 PPP 数据包，在此启动期间将协商 PPP 选项。
- **debug ppp authentication** —显示认证协议消息，包括质询验证协议(CHAP)信息包交换和密码认证协议交换。
- **debug tacacs+** -显示与TACACS+相关的详细调试信息。

调试输出示例

各自的阶段在此图表中对应于在此图表以后显示的实际debug输出。注意若干输出包裹在两条线路上由于间距注意事项。



第 1 阶段

```
maui-nas-01#debug aaa authentication maui-nas-01#debug aaa authorization maui-nas-01#show debug
General OS: AAA Authentication debugging is on AAA Authorization debugging is on /--- AAA
negotiation begins, aborted because PPP is autoselected. Aug 1 09:23:53.320 CST: AAA: parse
name=tty6 idb type=10 tty=6 Aug 1 09:23:53.320 CST: AAA: name=tty6 flags=0x11 type=4 shelf=0
slot=0 adapter=0 port=6 channel=0 Aug 1 09:23:53.324 CST: AAA: parse name=Serial0:4 idb type=12
tty=-1 Aug 1 09:23:53.328 CST: AAA: name=Serial0:4 flags=0x51 type=1 shelf=0 slot=0 adapter=0
port=0 channel=4 Aug 1 09:23:53.332 CST: AAA/MEMORY: create_user (0x2A0AA0) user='' ruser=''
port='tty6' rem_addr='async/81560' authen_type=ASCII service=LOGIN priv=1 Aug 1 09:23:53.336
```


CST: AAA/AUTHEN/START (2776623843): port='tty6' list='' action=LOGIN service=LOGIN Aug 1 09:23:53.340 CST: AAA/AUTHEN/START (2776623843): using "default" list Aug 1 09:23:53.344 CST: AAA/AUTHEN/START (2776623843): Method=tacacs+ (tacacs+) Aug 1 09:23:53.348 CST: TAC+: send AUTHEN/START packet ver=192 id=2776623843 Aug 1 09:23:53.572 CST: TAC+: ver=192 id=2776623843 received AUTHEN status = GETUSER Aug 1 09:23:53.576 CST: AAA/AUTHEN (2776623843): status = GETUSER Aug 1 09:23:55.548 CST: AAA/AUTHEN/ABORT: (2776623843) because Autoselected. Aug 1 09:23:55.552 CST: TAC+: send abort reason=Autoselected Aug 1 09:23:55.668 CST: AAA/MEMORY: free_user (0x2A0AA0) user='' ruser='' port='tty6' rem_addr='async/81560' authen_type=ASCII service=LOGIN priv=1 Aug 1 09:23:58.124 CST: %LINK-3-UPDOWN: Interface Async6, changed state to up Aug 1 09:23:58.148 CST: As6 AAA/AUTHOR/FSM: (0): LCP succeeds trivially Aug 1 09:23:58.912 CST: AAA: parse name=Async6 idb type=10 tty=6 Aug 1 09:23:58.916 CST: AAA: name=Async6 flags=0x11 type=4 shelf=0 slot=0 adapter=0 port=6 channel=0 Aug 1 09:23:58.916 CST: AAA: parse name=Serial0:4 idb type=12 tty=-1 Aug 1 09:23:58.920 CST: AAA: name=Serial0:4 flags=0x51 type=1 shelf=0 slot=0 adapter=0 port=0 channel=4 *!--- AAA Authentication start packet is sent to AAA server.* Aug 1 09:23:58.924 CST: AAA/MEMORY: create_user (0x2984EC) user='callback_user'ruser='' port='Async6' rem_addr='async/81560' authen_type=CHAP service=PPP priv=1 Aug 1 09:23:58.932 CST: AAA/AUTHEN/START (3527356355): port='Async6' list='' action=LOGIN service=PPP Aug 1 09:23:58.936 CST: AAA/AUTHEN (3527356355): status = UNKNOWN Aug 1 09:23:58.940 CST: AAA/AUTHEN/START (3527356355): Method=tacacs+ (tacacs+) *!--- Receive PASS from AAA server.* Aug 1 09:23:58.944 CST: TAC+: send AUTHEN/START packet ver=193 id=3527356355 Aug 1 09:23:59.172 CST: TAC+: ver=193 id=3527356355 received AUTHEN status = PASS Aug 1 09:23:59.172 CST: AAA/AUTHEN (3527356355): status = PASS *!--- AAA Authorization request sent to AAA server for LCP.* Aug 1 09:23:59.180 CST: As6 AAA/AUTHOR/LCP: Authorize LCP Aug 1 09:23:59.184 CST: As6 AAA/AUTHOR/LCP (1701401119): Port='Async6' list='' service=NET Aug 1 09:23:59.188 CST: AAA/AUTHOR/LCP: As6 (1701401119) user='callback_user' Aug 1 09:23:59.192 CST: As6 AAA/AUTHOR/LCP (1701401119): send AV service=ppp Aug 1 09:23:59.196 CST: As6 AAA/AUTHOR/LCP (1701401119): send AV protocol=lcp Aug 1 09:23:59.196 CST: As6 AAA/AUTHOR/LCP (1701401119): found list "default" Aug 1 09:23:59.200 CST: As6 AAA/AUTHOR/LCP (1701401119): Method=tacacs+ (tacacs+) *!--- Receive PASS from AAA server, set the callback dialstring !--- via the "callback-dialstring" Attribute Value Pair.* Aug 1 09:23:59.204 CST: AAA/AUTHOR/TAC+: (1701401119): user=callback_user Aug 1 09:23:59.208 CST: AAA/AUTHOR/TAC+: (1701401119): send AV service=ppp Aug 1 09:23:59.212 CST: AAA/AUTHOR/TAC+: (1701401119): send AV protocol=lcp Aug 1 09:23:59.440 CST: TAC+: (1701401119): received author response status = PASS_ADD Aug 1 09:23:59.448 CST: As6 AAA/AUTHOR (1701401119): Post authorization status = PASS_ADD Aug 1 09:23:59.452 CST: As6 AAA/AUTHOR/LCP: Processing AV service=ppp Aug 1 09:23:59.456 CST: As6 AAA/AUTHOR/LCP: Processing AV protocol=lcp Aug 1 09:23:59.456 CST: As6 AAA/AUTHOR/LCP: Processing AV callback-dialstring=81550

第 2 阶段

maui-nas-01#debug aaa authentication maui-nas-01#debug aaa authorization maui-nas-01#show debug
General OS: AAA Authentication debugging is on AAA Authorization debugging is on *!--- AAA negotiation begins, aborted because PPP is autoselected.* Aug 1 09:23:53.320 CST: AAA: parse name=tty6 idb type=10 tty=6 Aug 1 09:23:53.320 CST: AAA: name=tty6 flags=0x11 type=4 shelf=0 slot=0 adapter=0 port=6 channel=0 Aug 1 09:23:53.324 CST: AAA: parse name=Serial0:4 idb type=12 tty=-1 Aug 1 09:23:53.328 CST: AAA: name=Serial0:4 flags=0x51 type=1 shelf=0 slot=0 adapter=0 port=0 channel=4 Aug 1 09:23:53.332 CST: AAA/MEMORY: create_user (0x2A0AA0) user='' ruser='' port='tty6' rem_addr='async/81560' authen_type=ASCII service=LOGIN priv=1 Aug 1 09:23:53.336 CST: AAA/AUTHEN/START (2776623843): port='tty6' list='' action=LOGIN service=LOGIN Aug 1 09:23:53.340 CST: AAA/AUTHEN/START (2776623843): using "default" list Aug 1 09:23:53.344 CST: AAA/AUTHEN/START (2776623843): Method=tacacs+ (tacacs+) Aug 1 09:23:53.348 CST: TAC+: send AUTHEN/START packet ver=192 id=2776623843 Aug 1 09:23:53.572 CST: TAC+: ver=192 id=2776623843 received AUTHEN status = GETUSER Aug 1 09:23:53.576 CST: AAA/AUTHEN (2776623843): status = GETUSER Aug 1 09:23:55.548 CST: AAA/AUTHEN/ABORT: (2776623843) because Autoselected. Aug 1 09:23:55.552 CST: TAC+: send abort reason=Autoselected Aug 1 09:23:55.668 CST: AAA/MEMORY: free_user (0x2A0AA0) user='' ruser='' port='tty6' rem_addr='async/81560' authen_type=ASCII service=LOGIN priv=1 Aug 1 09:23:58.124 CST: %LINK-3-UPDOWN: Interface Async6, changed state to up Aug 1 09:23:58.148 CST: As6 AAA/AUTHOR/FSM: (0): LCP succeeds trivially Aug 1 09:23:58.912 CST: AAA: parse name=Async6 idb type=10 tty=6 Aug 1 09:23:58.916 CST: AAA: name=Async6 flags=0x11 type=4 shelf=0 slot=0 adapter=0 port=6 channel=0 Aug 1 09:23:58.916 CST: AAA: parse name=Serial0:4 idb type=12 tty=-1 Aug 1 09:23:58.920 CST: AAA: name=Serial0:4 flags=0x51 type=1 shelf=0 slot=0 adapter=0 port=0 channel=4 *!--- AAA Authentication start packet is sent to AAA server.* Aug 1 09:23:58.924 CST: AAA/MEMORY: create_user (0x2984EC) user='callback_user'ruser='' port='Async6' rem_addr='async/81560' authen_type=CHAP service=PPP priv=1 Aug 1 09:23:58.932 CST:

AAA/AUTHEN/START (3527356355): port='Async6' list='' action=LOGIN service=PPP Aug 1 09:23:58.936
CST: AAA/AUTHEN/START (3527356355): using "default" list Aug 1 09:23:58.936 CST: AAA/AUTHEN
(3527356355): status = UNKNOWN Aug 1 09:23:58.940 CST: AAA/AUTHEN/START (3527356355):
Method=tacacs+ (tacacs+) *!--- Receive PASS from AAA Server.* Aug 1 09:23:58.944 CST: TAC+: send
AUTHEN/START packet ver=193 id=3527356355 Aug 1 09:23:59.172 CST: TAC+: ver=193 id=3527356355
received AUTHEN status = PASS Aug 1 09:23:59.172 CST: AAA/AUTHEN (3527356355): status = PASS *!---
- AAA Authorization request sent to AAA server for LCP.* Aug 1 09:23:59.180 CST: As6
AAA/AUTHOR/LCP: Authorize LCP Aug 1 09:23:59.184 CST: As6 AAA/AUTHOR/LCP (1701401119):
Port='Async6' list='' service=NET Aug 1 09:23:59.188 CST: AAA/AUTHOR/LCP: As6 (1701401119)
user='callback_user' Aug 1 09:23:59.192 CST: As6 AAA/AUTHOR/LCP (1701401119): send AV
service=ppp Aug 1 09:23:59.196 CST: As6 AAA/AUTHOR/LCP (1701401119): send AV protocol=lcp Aug 1
09:23:59.196 CST: As6 AAA/AUTHOR/LCP (1701401119): found list "default" Aug 1 09:23:59.200 CST:
As6 AAA/AUTHOR/LCP (1701401119): Method=tacacs+ (tacacs+) *!--- Receive PASS from AAA Server, set
the callback dialstring !--- via the "callback-dialstring" Attribute Value Pair.* Aug 1
09:23:59.204 CST: AAA/AUTHOR/TAC+: (1701401119): user=callback_user Aug 1 09:23:59.208 CST:
AAA/AUTHOR/TAC+: (1701401119): send AV service=ppp Aug 1 09:23:59.212 CST: AAA/AUTHOR/TAC+:
(1701401119): send AV protocol=lcp Aug 1 09:23:59.440 CST: TAC+: (1701401119): received author
response status = PASS_ADD Aug 1 09:23:59.448 CST: As6 AAA/AUTHOR (1701401119): Post
authorization status = PASS_ADD Aug 1 09:23:59.452 CST: As6 AAA/AUTHOR/LCP: Processing AV
service=ppp Aug 1 09:23:59.456 CST: As6 AAA/AUTHOR/LCP: Processing AV protocol=lcp Aug 1
09:23:59.456 CST: As6 AAA/AUTHOR/LCP: Processing AV callback-dialstring=81550

第 3 阶段

maui-nas-01#show debug General OS: Modem control/process activation debugging is on PPP: PPP
protocol negotiation debugging is on Chat Scripts: Chat scripts activity debugging is on
Callback: Callback activity debugging is on Aug 1 09:33:38.862 CST: As7 MCB: User callback_user
Callback Number - Server 81550 Aug 1 09:33:38.870 CST: Async7 PPP: O MCB Request(1) id 1 len 7
Aug 1 09:33:38.874 CST: Async7 MCB: O 1 1 0 7 3 3 0 Aug 1 09:33:38.874 CST: As7 MCB: O Request
Id 1 Callback Type Server-Num delay 0 Aug 1 09:33:38.878 CST: As7 PPP: Phase is CBCP Aug 1
09:33:39.018 CST: Async7 PPP: I MCB Response(2) id 1 len 7 Aug 1 09:33:39.022 CST: Async7 MCB: I
2 1 0 7 3 3 C Aug 1 09:33:39.026 CST: As7 MCB: Received response Aug 1 09:33:39.026 CST: As7
MCB: Response CBK-Server-Num 3 3 12 Aug 1 09:33:39.034 CST: Async7 PPP: O MCB Ack(3) id 2 len 7
Aug 1 09:33:39.034 CST: Async7 MCB: O 3 2 0 7 3 3 C Aug 1 09:33:39.038 CST: As7 MCB: O Ack Id 2
Callback Type Server-Num delay 12 Aug 1 09:33:39.042 CST: As7 MCB: Negotiated MCB with peer *!---
NAS sends LCP Terminate Request from client.* Aug 1 09:33:39.182 CST: As7 LCP: I TERMREQ [Open]
id 6 len 16 (0x566260A7003CCD7400000000) *!--- NAS receives Terminate Acknowledge from client.*
Aug 1 09:33:39.186 CST: As7 LCP: O TERMACK [Open] id 6 len 4 Aug 1 09:33:39.190 CST: As7 MCB:
Peer terminating the link Aug 1 09:33:39.194 CST: As7 MCB: Link terminated by peer, Callback
Needed Aug 1 09:33:39.198 CST: As7 MCB: Initiate Callback for callback_user at 81550 using Async
Aug 1 09:33:39.202 CST: As7 MCB: Async-callback in progress Aug 1 09:33:39.206 CST: As7 PPP:
Phase is TERMINATING *!--- NAS disconnects and initiates offhook and CALLBACK chat scripts.* Aug 1
09:33:39.210 CST: TTY7 Callback PPP process creation Aug 1 09:33:39.218 CST: TTY7 Callback
process initiated, user: dialstring 81550 Aug 1 09:33:40.110 CST: %ISDN-6-DISCONNECT: Interface
Serial0:5 disconnected from unknown , call lasted 19 seconds Aug 1 09:33:40.294 CST: TTY7: Async
Int reset: Dropping DTR Aug 1 09:33:41.210 CST: As7 LCP: TIMEOUT: State TERMsent Aug 1
09:33:41.210 CST: As7 LCP: State is Closed Aug 1 09:33:41.214 CST: As7 PPP: Phase is DOWN Aug 1
09:33:41.218 CST: As7 PPP: Phase is ESTABLISHING, Passive Open Aug 1 09:33:41.226 CST: As7 LCP:
State is Listen Aug 1 09:33:42.298 CST: %LINK-5-CHANGED: Interface Async7, changed state to
reset Aug 1 09:33:42.318 CST: As7 LCP: State is Closed Aug 1 09:33:42.318 CST: As7 PPP: Phase is
DOWN Aug 1 09:33:45.302 CST: As7 IPCP: Remove route to 172.22.53.147 Aug 1 09:33:45.306 CST:
TTY7 Callback forced wait = 5 seconds Aug 1 09:33:47.302 CST: %LINK-3-UPDOWN: Interface Async7,
changed state to down Aug 1 09:33:47.322 CST: As7 LCP: State is Closed Aug 1 09:33:50.310 CST:
CHAT7: Matched chat script offhook to string offhook Aug 1 09:33:50.314 CST: CHAT7: Asserting
DTR Aug 1 09:33:50.318 CST: CHAT7: Chat script offhook started Aug 1 09:33:50.322 CST: CHAT7:
Sending string: ATH1 Aug 1 09:33:50.322 CST: CHAT7: Expecting string: OK Aug 1 09:33:50.634 CST:
CHAT7: Completed match for expect: OK Aug 1 09:33:50.638 CST: CHAT7: Sending string: \c Aug 1
09:33:50.638 CST: CHAT7: Chat script offhook finished, status = Success Aug 1 09:33:50.642 CST:
CHAT7: Matched chat script CALLBACK to string CALLBACK Aug 1 09:33:50.650 CST: CHAT7: Asserting
DTR Aug 1 09:33:50.650 CST: CHAT7: Chat script CALLBACK started Aug 1 09:33:50.654 CST: CHAT7:
Sending string: AT Aug 1 09:33:50.658 CST: CHAT7: Expecting string: OK Aug 1 09:33:50.686 CST:
CHAT7: Completed match for expect: OK Aug 1 09:33:50.686 CST: CHAT7: Sending string: ATDT
\T<81550> Aug 1 09:33:50.694 CST: CHAT7: Expecting string: CONNECT Aug 1 09:34:04.051 CST:
%ISDN-6-CONNECT: Interface Serial0:0 is now connected to 81550 Aug 1 09:34:17.543 CST: CHAT7:

Completed match for expect: CONNECT Aug 1 09:34:17.547 CST: CHAT7: Sending string: \c Aug 1 09:34:17.547 CST: CHAT7: Chat script CALLBACK finished, status = Success

阶段4

```
maui-nas-01#debug aaa authentication
maui-nas-01#debug aaa authorization maui-nas-01#debug ppp authentication maui-nas-01#show debug
General OS: AAA Authentication debugging is on AAA Authorization debugging is on PPP: PPP
authentication debugging is on PPP protocol negotiation debugging is on !--- AAA/ PPP
negotiation begins. Aug 1 09:42:15.096 CST: TTY8: Callback starting PPP directly with valid auth
info Aug 1 09:42:15.104 CST: TTY8: destroy timer type 1 Aug 1 09:42:15.104 CST: TTY8: destroy
timer type 0 Aug 1 09:42:15.160 CST: As8 LCP: I CONFREQ [Closed] id 0 len 47 Aug 1 09:42:15.164
CST: As8 LCP: ACCM 0x00000000 (0x020600000000) Aug 1 09:42:15.168 CST: As8 LCP: MagicNumber
0x5FA259DE (0x05065FA259DE) Aug 1 09:42:15.172 CST: As8 LCP: PFC (0x0702) Aug 1 09:42:15.172
CST: As8 LCP: ACFC (0x0802) Aug 1 09:42:15.176 CST: As8 LCP: MRRU 1614 (0x1104064E) Aug 1
09:42:15.180 CST: As8 LCP: EndpointDisc 1 Local Aug 1 09:42:15.184 CST: As8 LCP:
(0x131701DC57FC8B1CEA4CCEA064C0D958) Aug 1 09:42:15.188 CST: As8 LCP: (0x82667300000000) Aug 1
09:42:15.192 CST: As8 LCP: Lower layer not up, Fast Starting Aug 1 09:42:15.196 CST: As8 PPP:
Treating connection as a callout Aug 1 09:42:15.200 CST: As8 PPP: Phase is ESTABLISHING, Active
Open Aug 1 09:42:15.204 CST: AAA/MEMORY: dup_user (0x4DDDF8) user='callback_user' ruser=''
port='Async8' rem_addr='async/81560' authen_type=CHAP service=PPP priv=1 source='AAA dup
lcp_reset' Aug 1 09:42:15.212 CST: AAA/MEMORY: free_user (0x2F5418) user='callback_user'
ruser='' port='Async8' rem_addr='async/81560' authen_type=CHAP service=PPP priv=1 Aug 1
09:42:15.216 CST: As8 AAA/AUTHEN: Method=IF-NEEDED: no authentication needed.
user='callback_user' port='Async8' rem_addr='async/81560' Aug 1 09:42:15.224 CST: As8
AAA/AUTHOR/FSM: (0): LCP succeeds trivially Aug 1 09:42:15.228 CST: As8 LCP: O CONFREQ [Closed]
id 2 len 20 Aug 1 09:42:15.232 CST: As8 LCP: ACCM 0x000A0000 (0x0206000A0000) Aug 1 09:42:15.236
CST: As8 LCP: MagicNumber 0x6530AEA5 (0x05066530AEA5) Aug 1 09:42:15.240 CST: As8 LCP: PFC
(0x0702) Aug 1 09:42:15.240 CST: As8 LCP: ACFC (0x0802) Aug 1 09:42:15.248 CST: As8 LCP: O
CONFREQ [REQsent] id 0 len 8 Aug 1 09:42:15.252 CST: As8 LCP: MRRU 1614 (0x1104064E) Aug 1
09:42:15.260 CST: %LINK-3-UPDOWN: Interface Async8, changed state to up Aug 1 09:42:15.368 CST:
As8 LCP: I CONFACK [REQsent] id 2 len 20 Aug 1 09:42:15.372 CST: As8 LCP: ACCM 0x000A0000
(0x0206000A0000) Aug 1 09:42:15.376 CST: As8 LCP: MagicNumber 0x6530AEA5 (0x05066530AEA5) Aug 1
09:42:15.380 CST: As8 LCP: PFC (0x0702) Aug 1 09:42:15.384 CST: As8 LCP: ACFC (0x0802) Aug 1
09:42:15.404 CST: As8 LCP: I CONFREQ [ACKrcvd] id 1 len 43 Aug 1 09:42:15.408 CST: As8 LCP: ACCM
0x00000000 (0x020600000000) Aug 1 09:42:15.412 CST: As8 LCP: MagicNumber 0x5FA259DE
(0x05065FA259DE) Aug 1 09:42:15.412 CST: As8 LCP: PFC (0x0702) Aug 1 09:42:15.416 CST: As8 LCP:
ACFC (0x0802) Aug 1 09:42:15.420 CST: As8 LCP: EndpointDisc 1 Local Aug 1 09:42:15.424 CST: As8
LCP: (0x131701DC57FC8B1CEA4CCEA064C0D958) Aug 1 09:42:15.428 CST: As8 LCP: (0x82667300000000)
Aug 1 09:42:15.432 CST: As8 LCP: O CONFACK [ACKrcvd] id 1 len 43 Aug 1 09:42:15.436 CST: As8
LCP: ACCM 0x00000000 (0x020600000000) Aug 1 09:42:15.440 CST: As8 LCP: MagicNumber 0x5FA259DE
(0x05065FA259DE) Aug 1 09:42:15.444 CST: As8 LCP: PFC (0x0702) Aug 1 09:42:15.448 CST: As8 LCP:
ACFC (0x0802) Aug 1 09:42:15.452 CST: As8 LCP: EndpointDisc 1 Local Aug 1 09:42:15.456 CST: As8
LCP: (0x131701DC57FC8B1CEA4CCEA064C0D958) Aug 1 09:42:15.460 CST: As8 LCP: (0x82667300000000)
Aug 1 09:42:15.460 CST: As8 LCP: State is Open Aug 1 09:42:15.468 CST: As8 AAA/AUTHOR/LCP:
Authorize LCP Aug 1 09:42:15.468 CST: As8 AAA/AUTHOR/LCP (2679858087): Port='Async8' list=''
service=NET Aug 1 09:42:15.472 CST: AAA/AUTHOR/LCP: As8 (2679858087) user='callback_user' Aug 1
09:42:15.476 CST: As8 AAA/AUTHOR/LCP (2679858087): send AV service=ppp Aug 1 09:42:15.480 CST:
As8 AAA/AUTHOR/LCP (2679858087): send AV protocol=lcp Aug 1 09:42:15.484 CST: As8 AAA/AUTHOR/LCP
(2679858087): found list "default" Aug 1 09:42:15.488 CST: As8 AAA/AUTHOR/LCP (2679858087):
Method=tacacs+ (tacacs+) Aug 1 09:42:15.492 CST: AAA/AUTHOR/TAC+: (2679858087):
user=callback_user Aug 1 09:42:15.492 CST: AAA/AUTHOR/TAC+: (2679858087): send AV service=ppp
Aug 1 09:42:15.496 CST: AAA/AUTHOR/TAC+: (2679858087): send AV protocol=lcp Aug 1 09:42:15.724
CST: TAC+: (2679858087): received author response status = PASS_ADD Aug 1 09:42:15.732 CST: As8
AAA/AUTHOR (2679858087): Post authorization status = PASS_ADD Aug 1 09:42:15.736 CST: As8
AAA/AUTHOR/LCP: Processing AV service=ppp Aug 1 09:42:15.740 CST: As8 AAA/AUTHOR/LCP: Processing
AV protocol=lcp Aug 1 09:42:15.740 CST: As8 AAA/AUTHOR/LCP: Processing AV callback-
dialstring=81550 Aug 1 09:42:15.748 CST: As8 PPP: Phase is UP Aug 1 09:42:15.752 CST: As8
AAA/AUTHOR/FSM: (0): Can we start IPCP? Aug 1 09:42:15.756 CST: As8 AAA/AUTHOR/FSM (3644410406):
Port='Async8' list='' service=NET Aug 1 09:42:15.760 CST: AAA/AUTHOR/FSM: As8 (3644410406)
user='callback_user' Aug 1 09:42:15.764 CST: As8 AAA/AUTHOR/FSM (3644410406): send AV
service=ppp Aug 1 09:42:15.768 CST: As8 AAA/AUTHOR/FSM (3644410406): send AV protocol=ip Aug 1
09:42:15.768 CST: As8 AAA/AUTHOR/FSM (3644410406): found list "default" Aug 1 09:42:15.772 CST:
As8 AAA/AUTHOR/FSM (3644410406): Method=tacacs+ (tacacs+) Aug 1 09:42:15.776 CST:
```

AAA/AUTHOR/TAC+: (3644410406): user=callback_user Aug 1 09:42:15.780 CST: AAA/AUTHOR/TAC+: (3644410406): send AV service=ppp Aug 1 09:42:15.784 CST: AAA/AUTHOR/TAC+: (3644410406): send AV protocol=ip Aug 1 09:42:16.016 CST: TAC+: (3644410406): received author response status = PASS_ADD Aug 1 09:42:16.020 CST: As8 AAA/AUTHOR (3644410406): Post authorization status = PASS_ADD Aug 1 09:42:16.028 CST: As8 AAA/AUTHOR/FSM: We can start IPCP Aug 1 09:42:16.032 CST: As8 IPCP: O CONFREQ [Closed] id 1 len 16 Aug 1 09:42:16.036 CST: As8 IPCP: CompressType VJ 15 slots (0x0206002D0F00) Aug 1 09:42:16.040 CST: As8 IPCP: Address 172.22.53.101 (0x0306AC163565) Aug 1 09:42:16.048 CST: As8 LCP: I IDENTIFY [Open] id 2 len 18 magic 0x5FA259DEMSRASV5.00 Aug 1 09:42:16.052 CST: As8 LCP: I IDENTIFY [Open] id 3 len 29 magic 0x5FA259DEMSRAS-1-RBROWN-LAPTOP Aug 1 09:42:16.056 CST: As8 CCP: I CONFREQ [Not negotiated] id 4 len 10 Aug 1 09:42:16.060 CST: As8 CCP: MS-PPC supported bits 0x00000001 (0x120600000001) Aug 1 09:42:16.068 CST: As8 LCP: O PROTREQ [Open] id 3 len 16 protocol CCP (0x80FD0104000A120600000001) Aug 1 09:42:16.080 CST: As8 IPCP: I CONFREQ [REQsent] id 5 len 40 Aug 1 09:42:16.084 CST: As8 IPCP: CompressType VJ 15 slots CompressSlotID (0x0206002D0F01) Aug 1 09:42:16.088 CST: As8 IPCP: Address 0.0.0.0 (0x030600000000) Aug 1 09:42:16.092 CST: As8 IPCP: PrimaryDNS 0.0.0.0 (0x810600000000) Aug 1 09:42:16.096 CST: As8 IPCP: PrimaryWINS 0.0.0.0 (0x820600000000) Aug 1 09:42:16.100 CST: As8 IPCP: SecondaryDNS 0.0.0.0 (0x830600000000) Aug 1 09:42:16.104 CST: As8 IPCP: SecondaryWINS 0.0.0.0 (0x840600000000) Aug 1 09:42:16.108 CST: As8 AAA/AUTHOR/IPCP: Start. Her address 0.0.0.0, we want 172.22.53.148 Aug 1 09:42:16.112 CST: As8 AAA/AUTHOR/IPCP: Processing AV service=ppp Aug 1 09:42:16.116 CST: As8 AAA/AUTHOR/IPCP: Processing AV protocol=ip Aug 1 09:42:16.120 CST: As8 AAA/AUTHOR/IPCP: Authorization succeeded Aug 1 09:42:16.120 CST: As8 AAA/AUTHOR/IPCP: Done. Her address 0.0.0.0, we want 172.22.53.148 Aug 1 09:42:16.128 CST: As8 IPCP: O CONFREQ [REQsent] id 5 len 22 Aug 1 09:42:16.132 CST: As8 IPCP: PrimaryWINS 0.0.0.0 (0x820600000000) Aug 1 09:42:16.136 CST: As8 IPCP: SecondaryDNS 0.0.0.0 (0x830600000000) Aug 1 09:42:16.144 CST: As8 IPCP: SecondaryWINS 0.0.0.0 (0x840600000000) Aug 1 09:42:16.184 CST: As8 IPCP: I CONFACK [REQsent] id 1 len 16 Aug 1 09:42:16.188 CST: As8 IPCP: CompressType VJ 15 slots (0x0206002D0F00) Aug 1 09:42:16.192 CST: As8 IPCP: Address 172.22.53.101 (0x0306AC163565) Aug 1 09:42:16.680 CST: As8 IPCP: I CONFREQ [ACKrcvd] id 6 len 22 Aug 1 09:42:16.684 CST: As8 IPCP: CompressType VJ 15 slots CompressSlotID (0x0206002D0F01) Aug 1 09:42:16.688 CST: As8 IPCP: Address 0.0.0.0 (0x030600000000) Aug 1 09:42:16.692 CST: As8 IPCP: PrimaryDNS 0.0.0.0 (0x810600000000) Aug 1 09:42:16.696 CST: As8 AAA/AUTHOR/IPCP: Start. Her address 0.0.0.0, we want 172.22.53.148 Aug 1 09:42:16.700 CST: As8 AAA/AUTHOR/IPCP: Processing AV service=ppp Aug 1 09:42:16.704 CST: As8 AAA/AUTHOR/IPCP: Processing AV protocol=ip Aug 1 09:42:16.708 CST: As8 AAA/AUTHOR/IPCP: Authorization succeeded Aug 1 09:42:16.708 CST: As8 AAA/AUTHOR/IPCP: Done. Her address 0.0.0.0, we want 172.22.53.148 Aug 1 09:42:16.716 CST: As8 IPCP: O CONFNAK [ACKrcvd] id 6 len 16 Aug 1 09:42:16.720 CST: As8 IPCP: Address 172.22.53.148 (0x0306AC163594) Aug 1 09:42:16.724 CST: As8 IPCP: PrimaryDNS 172.22.53.210 (0x8106AC1635D2) Aug 1 09:42:16.748 CST: %LINEPROTO-5-UPDOWN: Line protocol on Interface Async8, changed state to up Aug 1 09:42:16.852 CST: As8 IPCP: I CONFREQ [ACKrcvd] id 7 len 22 Aug 1 09:42:16.856 CST: As8 IPCP: CompressType VJ 15 slots CompressSlotID (0x0206002D0F01) Aug 1 09:42:16.860 CST: As8 IPCP: Address 172.22.53.148 (0x0306AC163594) Aug 1 09:42:16.864 CST: As8 IPCP: PrimaryDNS 172.22.53.210 (0x8106AC1635D2) Aug 1 09:42:16.868 CST: As8 AAA/AUTHOR/IPCP: Start. Her address 172.22.53.148, we want 172.22.53.148 Aug 1 09:42:16.876 CST: As8 AAA/AUTHOR/IPCP (4022385425): Port='Async8' list='service=NET Aug 1 09:42:16.880 CST: AAA/AUTHOR/IPCP: As8 (4022385425) user='callback_user' Aug 1 09:42:16.884 CST: As8 AAA/AUTHOR/IPCP (4022385425): send AV service=ppp Aug 1 09:42:16.888 CST: As8 AAA/AUTHOR/IPCP (4022385425): send AV protocol=ip Aug 1 09:42:16.892 CST: As8 AAA/AUTHOR/IPCP (4022385425): send AV addr*172.22.53.148 Aug 1 09:42:16.892 CST: As8 AAA/AUTHOR/IPCP (4022385425): found list "default" Aug 1 09:42:16.896 CST: As8 AAA/AUTHOR/IPCP (4022385425): Method=tacacs+ (tacacs+) Aug 1 09:42:16.900 CST: AAA/AUTHOR/TAC+: (4022385425): user=callback_user Aug 1 09:42:16.904 CST: AAA/AUTHOR/TAC+: (4022385425): send AV service=ppp Aug 1 09:42:16.908 CST: AAA/AUTHOR/TAC+: (4022385425): send AV protocol=ip Aug 1 09:42:16.912 CST: AAA/AUTHOR/TAC+: (4022385425): send AV addr*172.22.53.148 Aug 1 09:42:17.140 CST: TAC+: (4022385425): received author response status = PASS_REPL Aug 1 09:42:17.148 CST: As8 AAA/AUTHOR (4022385425): Post authorization status = PASS_REPL Aug 1 09:42:17.156 CST: As8 AAA/AUTHOR/IPCP: Reject 172.22.53.148, using 172.22.53.148 Aug 1 09:42:17.164 CST: As8 AAA/AUTHOR/IPCP: Processing AV service=ppp Aug 1 09:42:17.164 CST: As8 AAA/AUTHOR/IPCP: Processing AV protocol=ip Aug 1 09:42:17.168 CST: As8 AAA/AUTHOR/IPCP: Processing AV addr*172.22.53.148 Aug 1 09:42:17.172 CST: As8 AAA/AUTHOR/IPCP: Authorization succeeded Aug 1 09:42:17.176 CST: As8 AAA/AUTHOR/IPCP: Done. Her address 172.22.53.148, we want 172.22.53.148 Aug 1 09:42:17.180 CST: As8 IPCP: O CONFACK [ACKrcvd] id 7 len 22 Aug 1 09:42:17.184 CST: As8 IPCP: CompressType VJ 15 slots CompressSlotID (0x0206002D0F01) Aug 1 09:42:17.192 CST: As8 IPCP: Address 172.22.53.148 (0x0306AC163594) Aug 1 09:42:17.196 CST: As8 IPCP: PrimaryDNS 172.22.53.210 (0x8106AC1635D2) Aug 1 09:42:17.200 CST: As8 IPCP: State is Open Aug 1 09:42:17.220 CST: As8 IPCP: Install route to 172.22.53.148

相关信息

- [Cisco Secure ACS for Windows 支持页](#)
- [TACACS+ 支持页](#)
- [IOS 文档中的 TACACS+](#)
- [技术支持和文档 - Cisco Systems](#)