

配置 Cisco 6400 NRP，以通过 PPPoA (aal5mux ppp) 实现点对点及多点接口

目录

[简介](#)

[开始使用前](#)

[规则](#)

[先决条件](#)

[使用的组件](#)

[配置](#)

[网络图](#)

[配置](#)

[验证](#)

[故障排除](#)

[相关信息](#)

简介

此配置示例显示Cisco 6400通用接入集中器(UAC)用节点路由处理器适配器。提供点到点和多点NRP配置示例。与点对点协议的两Cisco 827数字用户线路DSL配置的路由器在异步传输模式(PPPoA) (aal5mux ppp)在Cisco 6400终止。

也提供Cisco 6130数字用户线路访问多路复用器NI2和Cisco 6400 node交换机处理器的(NSP)配置。

开始使用前

规则

有关文档规则的详细信息，请参阅 [Cisco 技术提示规则](#)。

先决条件

本文档没有任何特定的前提条件。

使用的组件

本文档中的信息基于以下软件和硬件版本。

- Cisco 827-4V客户端前置设备(CPE) IOS®软件版本12.1(1)XB
- Cisco 6400 UAC-NRP IOS软件版本12.0(7)DC

- Cisco 6400 UAC-NSP IOS软件版本12.0(4)DB
- Cisco 6130 DSLAM-NI2 IOS软件版本12.1(1)DA

本文档中的信息都是基于特定实验室环境中的设备创建的。本文档中使用的所有设备最初均采用原始（默认）配置。如果您是在真实网络上操作，请确保您在使用任何命令前已经了解其潜在影响。

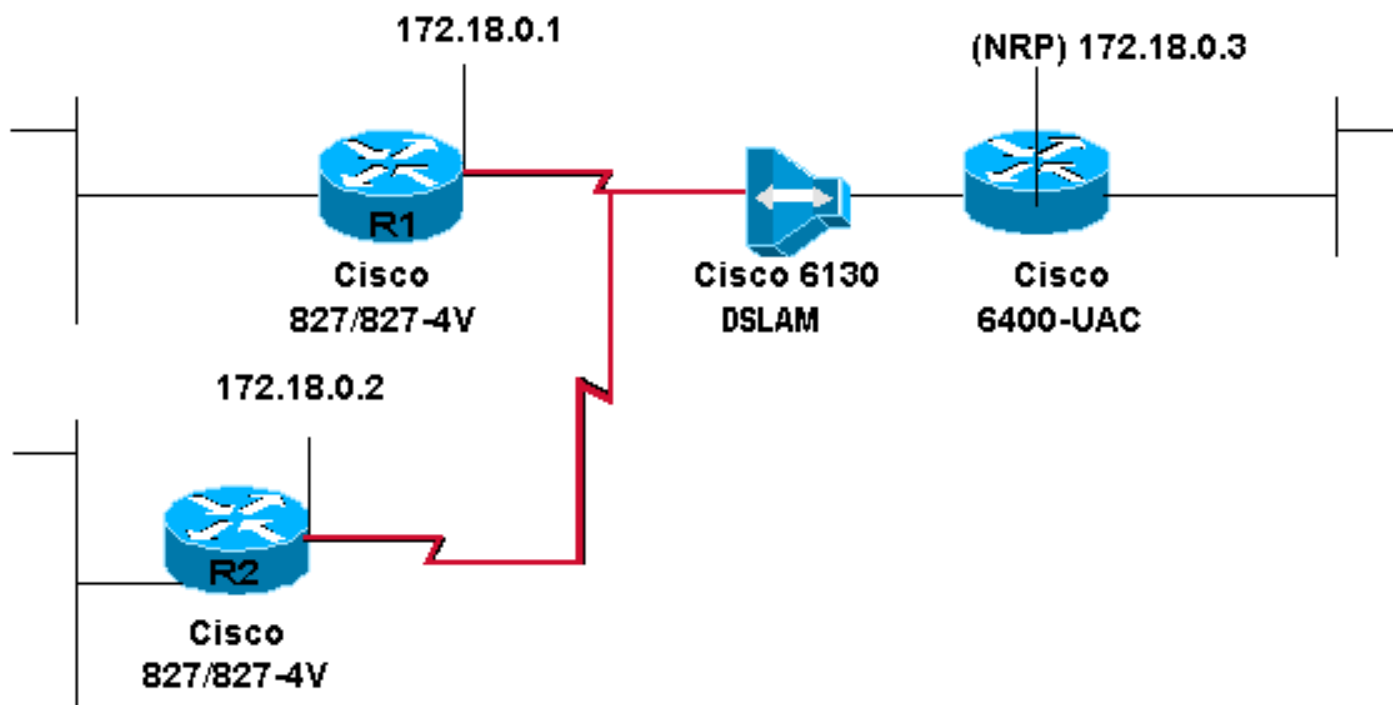
配置

本部分提供有关如何配置本文档所述功能的信息。

注意：要查找本文档所用命令的其他信息，请使用[命令查找工具](#)（[仅限注册用户](#)）。

网络图

本文档使用下图所示的网络设置。



配置

本文档使用如下所示的配置。

- [Cisco 827路由器\(R1\)](#)
- [Cisco 827路由器\(R2\)](#)
- [Cisco 6130-NI2 DSLAM](#)
- [Cisco 6400 NSP](#)
- [Cisco 6400-NRP使用点对点接口](#)
- [Cisco 6400 NRP使用多点接口](#)

Cisco 827路由器(R1)

```
Current configuration:
!
version 12.0
service timestamps debug datetime msec
```

```

service timestamps log datetime msec
!
hostname R1
!
ip subnet-zero
!
interface Ethernet0
  no ip address
  no ip directed-broadcast
!
interface ATM0
  no ip address
  no ip directed-broadcast
  no atm ilmi-keepalive
  pvc 3/100
    encapsulation aal5mux ppp dialer
    dialer pool-member 1
!
bundle-enable
hold-queue 224 in
!
interface Dialer0
  ip address 172.18.0.1 255.255.0.0
  no ip directed-broadcast
  encapsulation ppp
  dialer pool 1
  dialer-group 1
  ppp authentication chap callin
  ppp chap hostname <hostname1> ppp chap password
<password1> ! ip classless ip route 0.0.0.0 0.0.0.0
Dialer0 no ip http server ! dialer-list 1 protocol ip
permit ! voice-port 1 timing hookflash-in 0 ! voice-port
2 timing hookflash-in 0 ! voice-port 3 timing hookflash-
in 0 ! voice-port 4 timing hookflash-in 0 ! end

```

Cisco 827路由器(R2)

```

Current configuration:
!
version 12.0
service timestamps debug datetime msec
service timestamps log datetime msec
!
hostname R2
!
ip subnet-zero
!
interface Ethernet0
  no ip address
  no ip directed-broadcast
!
interface ATM0
  no ip address
  no ip directed-broadcast
  no ATM ilmi-keepalive
  PVC 4/100
    encapsulation aal5mux ppp dialer
    dialer pool-member 1
!
bundle-enable
hold-queue 224 in
!
interface Dialer0
  ip address 172.18.0.2 255.255.0.0
  no ip directed-broadcast

```

```
encapsulation ppp
dialer pool 1
dialer-group 1
ppp authentication chap callin
ppp chap hostname <hostname2> ppp chap password
<password2> ! ip classless ip route 0.0.0.0 0.0.0.0
Dialer0 ! dialer-list 1 protocol ip permit ! voice-port
1 timing hookflash-in 0 ! voice-port 2 timing hookflash-
in 0 ! voice-port 3 timing hookflash-in 0 ! voice-port 4
timing hookflash-in 0 ! end
```

Cisco 6130-NI2 DSLAM

```
ni2#
Current configuration:
!
version 12.1
service timestamps debug datetime msec
service timestamps log datetime msec
!
hostname ni2
!
slot 1 ATUC-1-4DMT
slot 2 ATUC-4FLEXIDMT
slot 13 ATUC-4FLEXIDMT
!
dsl-profile default
  dmt training-mode quick
ip subnet-zero
!
ATM address
47.0091.8100.0000.0075.2b3f.4d01.0075.2b3f.4d01.00
ATM router pnni
  no aesa embedded-number left-justified
  node 1 level 56 lowest
  redistribute ATM-static
!
interface ATM0/0
  no ip address
  ATM cac service-category abr deny
  ATM maxvp-number 0
  ATM maxvc-number 4096
  ATM maxvci-bits 12
!
interface Ethernet0/0
  no ip route-cache
!
interface ATM0/1
  no ip address
  ATM ilmi-keepalive
!
interface ATM0/2
  no ip address
  no ATM ilmi-keepalive
!
interface ATM1/1
  no ip address
  no ATM ilmi-keepalive
!
interface ATM1/2
  no ip address
  no ATM ilmi-keepalive
!
interface ATM1/3
  no ip address
```

```
no ATM ilmi-keepalive
ATM PVC 3 100 interface ATM0/1 3 100
!
interface ATM1/4
no ip address
no ATM ilmi-keepalive
ATM PVC 4 100 interface ATM0/1 4 100
!
ip classless
!
end
```

Cisco 6400 NSP

```
Current configuration:
!
version 12.0
service timestamps debug datetime msec
service timestamps log datetime msec
!
hostname NSP
!
ip subnet-zero
!
atm address
47.0091.8100.0000.0030.8027.7501.0030.8027.7501.00
atm router pnni
no aesa embedded-number left-justified
node 1 level 56 lowest
redistribute atm-static
!
interface ATM0/0/0
no ip address
no ip directed-broadcast
atm maxvp-number 0
!
interface Ethernet0/0/0
no ip directed-broadcast
!
interface ATM1/0/0
no ip address
no ip directed-broadcast
no atm ilmi-keepalive
!
interface ATM2/0/0
no ip address
no ip directed-broadcast
no atm ilmi-keepalive
!
interface ATM8/0/0
no ip address
no ip directed-broadcast
no atm ilmi-keepalive
!
interface ATM8/0/1
no ip address
no ip directed-broadcast
no atm ilmi-keepalive
atm pvc 3 100 interface ATM1/0/0 3 100
atm pvc 4 100 interface ATM1/0/0 4 100
!
ip classless
!
end
```

Cisco 6400-NRP使用点对点接口

```
Current configuration:
!
version 12.0
service timestamps debug datetime msec
service timestamps log datetime msec
!
hostname NRP
!
username <username1> password <password1> username
<username2> password <password2> ! redundancy main-cpu
no auto-sync standard no secondary console enable ip
subnet-zero ! interface Loopback0 ip address 172.18.0.3
255.255.0.0 no ip directed-broadcast ! interface
ATM0/0/0 no ip address no ip directed-broadcast no ip
route-cache no atm ilmi-keepalive ! interface ATM0/0/0.3
point-to-point no ip directed-broadcast pvc 3/100
encapsulation aal5mux ppp Virtual-Template1 ! !
interface ATM0/0/0.4 point-to-point no ip directed-
broadcast pvc 4/100 encapsulation aal5mux ppp Virtual-
Template1 ! interface Ethernet0/0/1 no ip address no ip
directed-broadcast ! interface Ethernet0/0/0 no ip
directed-broadcast ! interface FastEthernet0/0/0 no ip
address no ip directed-broadcast full-duplex ! interface
Virtual-Template1 ip unnumbered Loopback0 no ip
directed-broadcast no peer default ip address ppp
authentication chap ! ip classless end
```

Cisco 6400 NRP使用多点接口

```
NRP#
Current configuration:
!
version 12.0
service timestamps debug datetime msec
service timestamps log datetime msec
!
hostname NRP
!
username <username1> password <password1> username
<username2> password <password2> ! redundancy main-cpu
no auto-sync standard no secondary console enable ip
subnet-zero ! interface Loopback0 ip address 172.18.0.3
255.255.0.0 no ip directed-broadcast ! interface
ATM0/0/0 no ip address no ip directed-broadcast no ip
route-cache no atm ilmi-keepalive ! interface ATM0/0/0.9
multipoint no ip directed-broadcast pvc 3/100
encapsulation aal5mux ppp Virtual-Template1 ! pvc 4/100
encapsulation aal5mux ppp Virtual-Template1 ! interface
Ethernet0/0/1 no ip address no ip directed-broadcast !
interface Ethernet0/0/0 no ip directed-broadcast !
interface FastEthernet0/0/0 no ip address no ip
directed-broadcast full-duplex ! interface Virtual-
Template1 ip unnumbered Loopback0 no ip directed-
broadcast no peer default ip address ppp authentication
chap ! ip classless ! end
```

验证

当前没有可用于此配置的验证过程。

故障排除

目前没有针对此配置的故障排除信息。

相关信息

- [配置Cisco 827路由器](#)
- [Cisco 6400软件设置指南](#)
- [Cisco DSL技术支持信息](#)
- [产品支持- Cisco系统](#)
- [技术支持 - Cisco Systems](#)