

Perguntas Frequentes Sobre a Configuração do Cisco 827 Router

Índice

[Introdução](#)

[Como eu configuro o Cisco 827 para a construção de uma ponte sobre do RFC1483?](#)

[Como eu configuro o Cisco 827 para o RFC1483 que constrói uma ponte sobre com Integrated Routing and Bridging \(IRB\)?](#)

[Como eu configuram o Cisco 827 para o RFC1483 que constrói uma ponte sobre com IRB e a tradução de endereço de porta \(PAT\) quando mim sou atribuído um endereço útil de meu fornecedor?](#)

[Como eu configuram o Cisco 827 para o RFC1483 que constrói uma ponte sobre com IRB e o Network Address Translation \(NAT\) quando mim sou atribuído um bloco de endereços úteis de meu fornecedor?](#)

[Como eu configuro o Cisco 827 para a distribuição do RFC1483?](#)

[Como eu configuro o Cisco 827 para o RFC1483 que distribui com PANCADINHA quando mim sou atribuído um endereço útil de meu fornecedor?](#)

[Como eu configuro o Cisco 827 para o RFC1483 que distribui com NAT quando mim sou atribuído um bloco de endereços úteis de meu fornecedor?](#)

[Como eu configuro o Cisco 827 para o PPP over ATM \(PPPoA\) com protocolo de controle do protocolo de internet \(IPCP\)?](#)

[Como eu configuro o Cisco 827 para IP fácil \(fase I\) com PANCADINHA e PPP/IPCP?](#)

[Como eu configuro o Cisco 827, atuando como um servidor DHCP, para IP fácil \(fase 2\)?](#)

[Como eu configuro o Cisco 827, atuando como uma transmissão de DHCP, para IP fácil \(fase 2\)?](#)

[Como eu configuro o Cisco 827 para ser um DHCP Client com PANCADINHA?](#)

[Como eu configuro o Cisco 827 para o PPP over Ethernet \(PPPoE\)?](#)

[Posso eu configurar o Cisco 827 como um PPPoE Client?](#)

[Como eu configuro o Cisco 827-4V para a Voz básica sobre IP \(VoIP\)?](#)

[Como eu configuro o Qualidade de Serviço \(QoS\) para a Voz?](#)

[Como eu configuro o Cisco 827-4V para se registrar com um porteiro de H.323?](#)

[Como eu configuro a codificação de linha em minha interface ADSL do Cisco 827?](#)

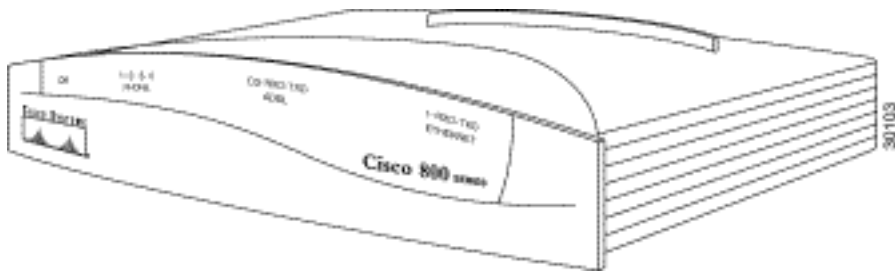
[Como eu configuro o NAT e a PANCADINHA para apoiar um servidor de Web interno?](#)

[Informações Relacionadas](#)

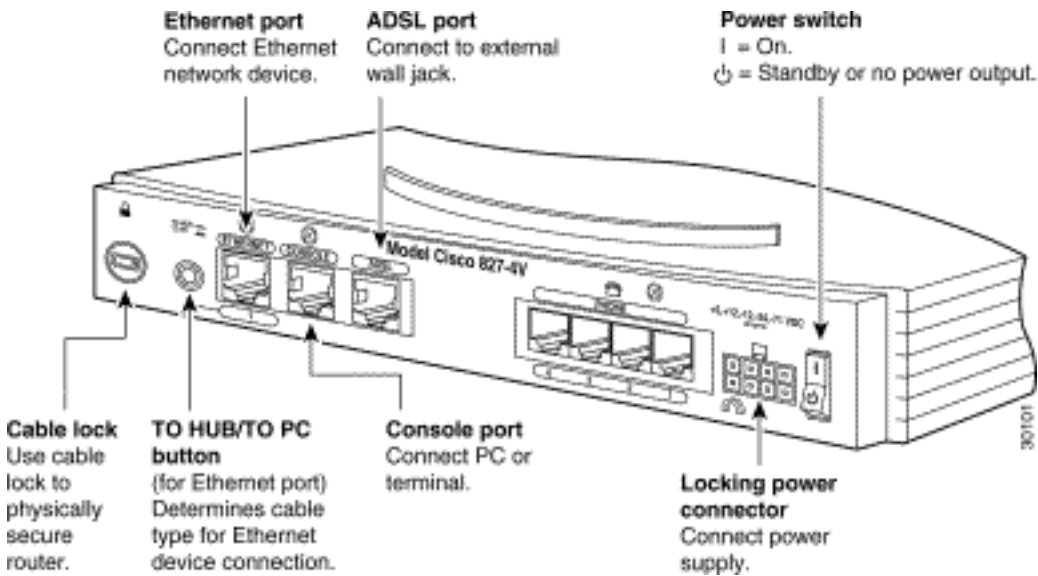
Introdução

Este documento trata das perguntas frequentes acerca da configuração de roteador do Cisco 827.

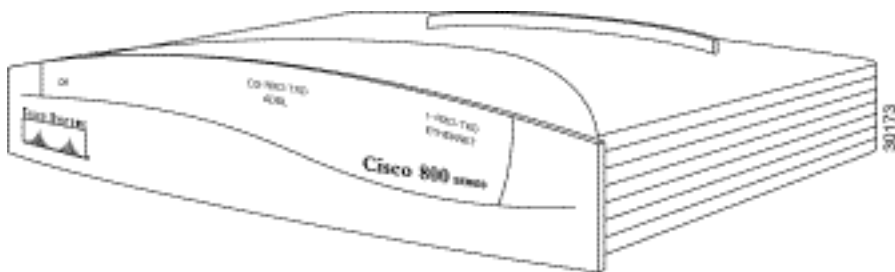
Painel dianteiro do Cisco 827-4V



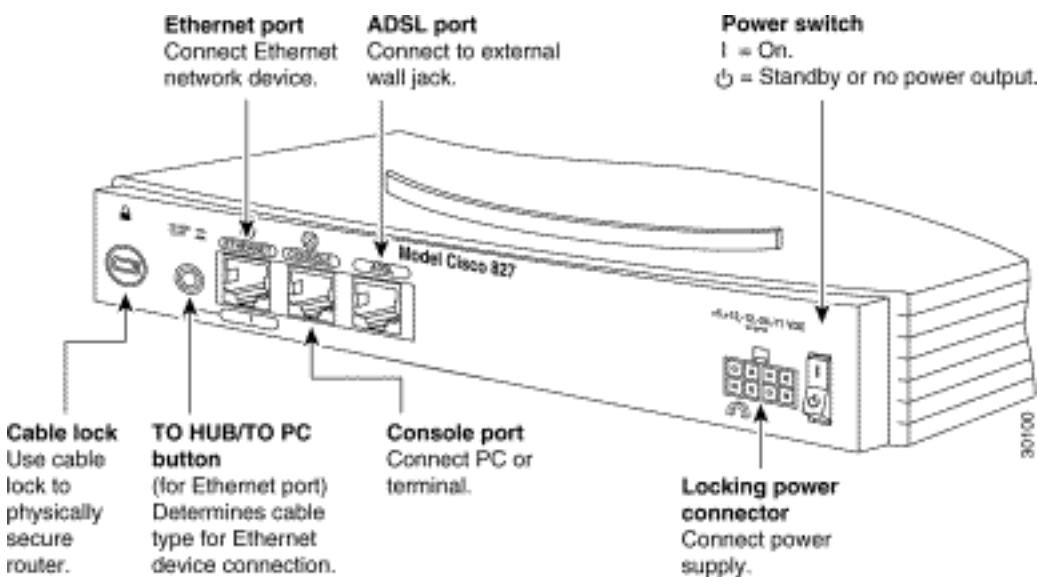
Painel traseiro do Cisco 827-4V



Painel dianteiro do Cisco 827



Painel traseiro do Cisco 827



Q. Como eu configuro o Cisco 827 para a construção de uma ponte sobre do RFC1483?

```
!  
no ip routing  
!--- Disable IP routing. ! interface Ethernet0 no ip address no ip directed-broadcast bridge-  
group 1 !--- Specify the bridge-group number the interface belongs to. ! interface ATM0 no ip  
address no ip directed-broadcast no atm ilmi-keepalive pvc 1/35 !--- VPI/VCI assigned to you by  
your provider. ! encapsulation aal5snap ! bridge-group 1 !--- Specify the bridge-group number  
the interface belongs to. ! bridge 1 protocol ieee !
```

Q. Como eu configuro o Cisco 827 para o RFC1483 que constrói uma ponte sobre com Integrated Routing and Bridging (IRB)?

```
!  
bridge irb !--- Enable IRB. ! interface Ethernet0 ip address 192.168.1.1  
255.255.255.0 no ip directed-broadcast ! interface ATM0 no ip address no ip directed-broadcast  
no atm ilmi-keepalive bundle-enable ! interface ATM0.1 point-to-point no ip directed-broadcast  
pvc 1/35 !--- VPI/VCI assigned to you by your provider. ! encapsulation aal5snap ! bridge-group  
1 !--- Specify the bridge-group number the interface belongs to. ! interface BVI1 !--- A routed  
interface from the WAN bridge-group to the !--- nonbridged LAN interface. ! ip address  
192.168.2.1 255.255.255.0 no ip directed-broadcast ! ip route 0.0.0.0 0.0.0.0 192.168.2.254 !---  
Configure the default gateway. ! bridge 1 protocol ieee bridge 1 route ip !--- Enable IP routing  
to and from bridge-group 1. !
```

Q. Como eu configuram o Cisco 827 para o RFC1483 que constrói uma ponte sobre com IRB e a tradução de endereço de porta (PAT) quando mim sou atribuído um endereço útil de meu fornecedor?

```
!  
bridge irb  
!--- Enable IRB. ! interface Ethernet0 ip address 192.168.1.1 255.255.255.0 no ip directed-  
broadcast ip nat inside !--- Establish the interface as the inside interface. ! interface ATM0  
no ip address no ip directed-broadcast no atm ilmi-keepalive bundle-enable ! interface ATM0.1  
point-to-point no ip directed-broadcast pvc 1/35 !--- VPI/VCI assigned to you by your provider.  
! encapsulation aal5snap ! bridge-group 1 !--- Specify bridge-group number the interface belongs  
to. ! interface BVI1 !--- A routed interface from the WAN bridge-group !--- to the nonbridged  
LAN interface. ! ip address 192.168.2.1 255.255.255.0 no ip directed-broadcast ip nat outside !-  
- Establish the interface as the outside interface. ! ! ip nat inside source list 1 interface  
BVI1 overload !--- Enable dynamic translation of addresses permitted by the !--- access-list to  
the address specified in the BVI interface. ! ip route 0.0.0.0 0.0.0.0 192.168.2.254 !---  
Configure the default gateway. ! access-list 1 permit 192.168.1.0 0.0.0.255 !--- Define a  
standard access-list permitting addresses that !--- need translation. ! bridge 1 protocol ieee  
bridge 1 route ip !--- Enable IP routing to and from bridge-group 1. !
```

Q. Como eu configuram o Cisco 827 para o RFC1483 que constrói uma ponte sobre com IRB e o Network Address Translation (NAT) quando mim sou atribuído um bloco de endereços úteis de meu fornecedor?

```
!  
bridge irb !--- Enable IRB. ! interface Ethernet0 ip address 192.168.1.1  
255.255.255.0 no ip directed-broadcast ip nat inside !--- Establish the interface as the inside  
interface. ! interface ATM0 no ip address no ip directed-broadcast no atm ilmi-keepalive bundle-  
enable ! interface ATM0.1 point-to-point no ip directed-broadcast pvc 1/35 !--- VPI/VCI assigned  
to you by your provider. ! encapsulation aal5snap ! bridge-group 1 !--- Specify bridge-group
```

```

number the interface belongs to. ! interface BVI1 !--- A routed interface from the WAN bridge-
group to the !--- nonbridged LAN interface. ! ip address 192.168.2.1 255.255.255.0 no ip
directed-broadcast ip nat outside !--- Establish the interface as the outside interface. ! ip
nat pool POOL-A 192.168.2.2 192.168.2.10 netmask 255.255.255.0 !--- Create a pool of global IP
addresses for NAT. ! ip nat inside source list 1 pool POOL-A overload !--- Enable dynamic
translation of addresses permitted by the !--- access-list to one of the addresses specified in
the pool. ! ip route 0.0.0.0 0.0.0.0 192.168.2.254 !--- Configure the default gateway. ! access-
list 1 permit 192.168.1.0 0.0.0.255 !--- Define a standard access-list permitting addresses that
!--- need translation. ! bridge 1 protocol ieee bridge 1 route ip !--- Enable IP routing to and
from bridge-group 1. !

```

Q. Como eu configuro o Cisco 827 para a distribuição do RFC1483?

```

!
interface Ethernet0
 ip address 192.168.1.1 255.255.255.0
 no ip directed-broadcast
!
interface ATM0
 no ip address
 no ip directed-broadcast
 no atm ilmi-keepalive
 bundle-enable
!
interface ATM0.1 point-to-point
 ip address 192.168.2.1 255.255.255.0
 pvc 1/35
 !--- VPI/VCI assigned to you by your provider. ! protocol ip 192.168.2.2 broadcast !--- Set the
protocol broadcast for the IP address. ! encapsulation aal5snap !! ip route 0.0.0.0 0.0.0.0
192.168.2.2 !--- Configure the default gateway. !

```

Q. Como eu configuro o Cisco 827 para o RFC1483 que distribuí com PANCADINHA quando mim sou atribuído um endereço útil de meu fornecedor?

```

!
interface Ethernet0
 ip address 192.168.1.1 255.255.255.0
 no ip directed-broadcast
 ip nat inside
 !--- Establish the interface as the inside interface. ! interface ATM0 no ip address no ip
directed-broadcast no atm ilmi-keepalive bundle-enable ! interface ATM0.1 point-to-point ip
address 192.168.2.1 255.255.255.0 ip nat outside !--- Establish the interface as the outside
interface. ! pvc 1/35 !--- VPI/VCI assigned to you by your provider. ! protocol ip 192.168.2.2
broadcast !--- Set the protocol broadcast for the IP address. ! encapsulation aal5snap !! ip
nat inside source list 1 interface ATM0.1 overload !--- Enable the dynamic translation of
addresses permitted by the !--- access-list to the address specified in the ATM interface. ! ip
route 0.0.0.0 0.0.0.0 192.168.2.2 !--- Configure the default gateway. ! access-list 1 permit
192.168.1.0 0.0.0.255 !--- Define a standard access-list permitting addresses that !--- need
translation. !

```

Q. Como eu configuro o Cisco 827 para o RFC1483 que distribuí com NAT quando mim sou atribuído um bloco de endereços úteis de meu fornecedor?

```

!
interface Ethernet0
 ip address 192.168.1.1 255.255.255.0
 no ip directed-broadcast
 ip nat inside
 !--- Establish the interface as the inside interface. ! interface ATM0 no ip address no ip

```

```

directed-broadcast no atm ilmi-keepalive bundle-enable ! interface ATM0.1 point-to-point ip
address 192.168.2.1 255.255.255.0 ip nat outside !--- Establish the interface as the outside
interface. ! pvc 1/35 !--- VPI/VCI assigned to you by your provider. protocol ip 192.168.2.2
broadcast !--- Set the protocol broadcast for the IP address. ! encapsulation aal5snap ! ! ip
nat pool POOL-A 192.168.2.2 192.168.2.10 netmask 255.255.255.0 !--- Create a pool of global IP
addresses for NAT. ! ip nat inside source list 1 pool POOL-A overload !--- Enable dynamic
translation of addresses permitted by !--- the access-list to one of the addresses specified in
the pool. ! ip route 0.0.0.0 0.0.0.0 192.168.2.2 !--- Configure the default gateway. ! access-
list 1 permit 192.168.1.0 0.0.0.255 !--- Define a standard access-list permitting addresses that
!--- need translation. !

```

Q. Como eu configuro o Cisco 827 para o PPP over ATM (PPPoA) com protocolo de controle do protocolo de internet (IPCP)?

```

!
interface Ethernet0
 ip address 192.168.1.1 255.255.255.0
 no ip directed-broadcast
!
interface ATM0
 no ip address
 no ip directed-broadcast
 no atm ilmi-keepalive
 bundle-enable
!
interface ATM0.1 point-to-point
 no ip directed-broadcast
 pvc 1/35
 !--- VPI/VCI assigned to you by your provider. ! encapsulation aal5mux ppp dialer !--- Specify
the encapsulation type for the PVC to be !--- aal5mux (PPP) and point back to the dialer
interface. ! dialer pool-member 1 !--- Specify a dialer pool-member. ! ! interface Dialer1 ip
address negotiated !--- Configure a negotiated IP address. ! no ip directed-broadcast
 encapsulation ppp dialer pool 1 !--- Specify which dialer pool number you are using. ! ip route
0.0.0.0 0.0.0.0 Dialer1 !--- Configure the default gateway. !

```

Q. Como eu configuro o Cisco 827 para IP fácil (fase I) com PANCADINHA e PPP/IPCP?

```

!
interface Ethernet0
 ip address 192.168.1.1 255.255.255.0
 no ip directed-broadcast
 ip nat inside
 !--- Establish the interface as the inside interface. ! interface ATM0 no ip address no ip
directed-broadcast no atm ilmi-keepalive bundle-enable ! interface ATM0.1 point-to-point no ip
directed-broadcast pvc 1/35 !--- VPI/VCI assigned to you by your provider. ! encapsulation
aal5mux ppp dialer !--- Specify the encapsulation type for the PVC to be !--- aal5mux (PPP) and
point back to the dialer interface. ! dialer pool-member 1 !--- Specify a dialer pool-member. !
! interface Dialer1 ip address negotiated !--- Configure a negotiated IP address. ! no ip
directed-broadcast ip nat outside !--- Establish the interface as the outside interface. !
 encapsulation ppp dialer pool 1 !--- Specify which dialer pool number you are using. ! ip nat
inside source list 1 interface Dialer1 overload !--- Enable dynamic translation of addresses
permitted by the !--- access-list to the address specified in the Dialer interface. ! ip route
0.0.0.0 0.0.0.0 Dialer1 !--- Configure the default gateway. ! ! access-list 1 permit 192.168.1.0
0.0.0.255 !--- Define a standard access-list permitting addresses that !--- need translation. !

```

Q. Como eu configuro o Cisco 827, atuando como um servidor DHCP, para IP fácil (fase 2)?

```

!
ip dhcp pool POOL-DHCP
 network 192.168.1.0 255.255.255.0
  !--- Specify a range of IP addresses that can be assigned to !--- the DHCP clients. ! domain-
  name cisco.com !--- Configure the domain name. ! dns-server 192.168.3.1 !--- Configure the DNS
  server. ! default-router 192.168.1.1 !--- Designate the router as the default router and specify
  !--- an IP address. ! ! interface Ethernet0 ip address 192.168.1.1 255.255.255.0 no ip directed-
  broadcast ! interface ATM0 no ip address no ip directed-broadcast no atm ilmi-keepalive bundle-
  enable ! interface ATM0.1 point-to-point no ip directed-broadcast pvc 1/35 !--- VPI/VCI assigned
  to you by your provider. ! encapsulation aal5mux ppp dialer !--- Specify the encapsulation type
  for the PVC to be !--- aal5mux (PPP) and point back to the dialer interface. ! dialer pool-
  member 1 ### specify a dialer pool-member ! ! interface Dialer1 ip address negotiated !---
  Configure a negotiated IP address. ! no ip directed-broadcast encapsulation ppp dialer pool 1 !-
  -- Specify which dialer pool number you are using. ! ! ip route 0.0.0.0 0.0.0.0 Dialer1 !---
  Configure the default gateway. !

```

Q. Como eu configuro o Cisco 827, atuando como uma transmissão de DHCP, para IP fácil (fase 2)?

```

!
interface Ethernet0
 ip address 192.168.1.1 255.255.255.0
 ip helper-address 192.168.4.1
  !--- Forward default UDP broadcasts including !--- IP configuration requests to the DHCP
  server. ! no ip directed-broadcast ! interface ATM0 no ip address no ip directed-broadcast no
  atm ilmi-keepalive bundle-enable ! interface ATM0.1 point-to-point no ip directed-broadcast pvc
  1/35 !--- VPI/VCI assigned to you by your provider. ! encapsulation aal5mux ppp dialer !---
  Specify the encapsulation type for the PVC to be !--- aal5mux (PPP) and point back to the dialer
  interface. ! dialer pool-member 1 !--- Specify a dialer pool-member. ! ! interface Dialer1 ip
  address negotiated !--- Configure a negotiated IP address. ! no ip directed-broadcast
  encapsulation ppp dialer pool 1 !--- Specify which dialer pool number you are using. ! ! ip
  route 0.0.0.0 0.0.0.0 Dialer1 !--- Configure the default gateway. !

```

Q. Como eu configuro o Cisco 827 para ser um DHCP Client com PANCADINHA?

```

!
bridge irb
!
interface Ethernet0
 ip address 192.168.1.1 255.255.255.0
 no ip directed-broadcast
 ip nat inside
  !--- Establish the interface as the inside interface. ! interface ATM0 no ip address no ip
  directed-broadcast no atm ilmi-keepalive bundle-enable ! interface ATM0.1 point-to-point no ip
  directed-broadcast pvc 1/35 !--- VPI/VCI assigned to you by your provider. ! encapsulation
  aal5snap ! bridge-group 1 !--- Specify bridge-group number the interface belongs to. ! interface
  BVI1 ip address dhcp client-id Ethernet0 !--- Use the MAC address of the Ethernet interface as
  !--- the client ID when the DHCP request is sent. ! no ip directed-broadcast ip nat outside !---
  Establish the interface as the outside interface. ! ! ip nat inside source list 1 interface BVI1
  overload !--- Enable the dynamic translation of addresses permitted by !--- the access-list to
  the address specified in the BVI interface. ! ip route 0.0.0.0 0.0.0.0 BVI1 !--- Configure the
  default gateway. ! ! access-list 1 permit 192.168.1.0 0.0.0.255 !--- Define a standard access-
  list permitting !--- addresses that need translation. ! bridge 1 protocol ieee bridge 1 route ip
  !--- Enable IP routing to and from bridge-group 1. !

```

Q. Como eu configuro o Cisco 827 para o PPP over Ethernet (PPPoE)?

A. [Consulte a configuração do RFC 1483 Bridging.](#)

Q. Posso eu configurar o Cisco 827 como um PPPoE Client?

A. Sim, mas Software Release 12.1(3)XG ou Mais Recente de Cisco IOS® é exigido. Consulte [Configurando o roteador Cisco 827 como um cliente PPPoE com NAT](#).

Q. Como eu configuro o Cisco 827-4V para a Voz básica sobre IP (VoIP)?

```
!  
dial-peer voice 1 pots  
  destination-pattern 1001  
  !--- Define the telephone number associated with the port. ! port 1 !--- Specify the port  
  number. !! dial-peer voice 10 voip destination-pattern 2... !--- Define the destination  
  telephone number. ! session target ipv4:192.168.2.8 !--- Specify a destination IP address. !  
  codec g711ulaw !--- Specify a codec if you are not !--- using the default codec of g.729. !
```

Q. Como eu configuro o Qualidade de Serviço (QoS) para a Voz?

A. Um único ambiente PVC em que o Cisco IOS fornece as filas de prioridade (que usam o CBWFQ) para a Voz e a fragmentação e a intercalação:

```
!  
class-map VOICE!--- Configure a class for voice. ! match access-group 101 !--- Associate the  
class with the access-list. !! policy-map POLICY !--- Configure a policy map. ! class VOICE !--  
- Specify the class for queuing. ! priority 480 !--- Specify strict priority for voice traffic.  
!! interface ATM0 mtu 300 !--- Decrease MTU of ATM interface so that large !--- IP data packets  
get fragmented. ! ip address 192.168.2.1 255.255.255.0 no ip directed-broadcast no atm ilmi-  
keepalive pvc 1/35 !--- VPI/VCI assigned to you by your provider. ! service-policy out POLICY !-  
-- Associate policy map to PVC. ! vbr-rt 640 640 10 !--- Specify the service class. !  
encapsulation aal5snap ! bundle-enable ! dial-peer voice 1 pots destination-pattern 1001 !---  
Define the telephone number associated with the port. ! port 1 !--- Specify the port number. ! !  
dial-peer voice 10 voip destination-pattern 2... !--- Define the destination telephone number. !  
session target ipv4:192.168.2.8 !--- Specify a destination IP address. ! ip precedence 5 !---  
Configure IP precedence 5 for voice packets. !! access-list 101 permit ip any any precedence  
critical !--- Configure access-list to match voice packets. !
```

Ambiente de PVC múltiplo em que a Voz e os dados estão em sub-redes diferentes:

```
!  
interface ATM0  
  no ip address  
  no ip directed-broadcast  
  no atm ilmi-keepalive  
  bundle-enable  
!  
interface ATM0.1 point-to-point  
  ip address 192.168.2.1 255.255.255.0  
  no ip directed-broadcast  
  pvc 1/35  
  !--- Voice PVC. ! protocol ip 192.168.2.2 broadcast !--- Set the protocol broadcast for the IP  
  address. ! vbr-rt 424 424 5 !--- Specify the service class. ! encapsulation aal5snap ! !  
interface ATM0.2 point-to-point ip address 192.168.3.1 255.255.255.0 no ip directed-broadcast  
pvc 1/36 !--- Data PVC. ! protocol ip 192.168.3.2 broadcast !--- Set the protocol broadcast for  
the IP address. ! encapsulation aal5snap ! ! dial-peer voice 1 pots destination-pattern 1001 !-  
- Define the telephone number associated with the port. ! port 1 !--- Specify the port number. !  
! dial-peer voice 10 voip destination-pattern 2... !--- Define the destination telephone number.  
! session target ipv4:192.168.2.8 !--- Specify a destination IP address. ! !
```

Ambiente de PVC múltiplo em que a Voz e os dados estão na mesma sub-rede com empacotamento dos circuitos virtuais:

```

!
interface ATM0
 ip address 192.168.2.1 255.255.255.0
 no ip directed-broadcast
 no atm ilmi-keepalive
 bundle-enable
 bundle TEST
 !--- Specify a bundle name. ! protocol ip 192.168.2.2 broadcast encapsulation aal5snap pvc-
bundle data 1/36 !--- Create a PVC for the data bundle. ! precedence other !--- Set the IP
precedence level other to the data bundle. ! pvc-bundle voice 1/35 !--- Create a PVC for the
voice bundle. ! vbr-rt 424 424 5 !--- Set the service class for the voice bundle. ! precedence 5
!--- Set the IP precedence level critical to the voice bundle. ! ! ! dial-peer voice 1 pots
destination-pattern 1001 !--- Define the telephone number associated with the port. ! port 1 !--
- Specify the port number. ! ! dial-peer voice 10 voip destination-pattern 2... !--- Define the
destination telephone number. ! session target ipv4:192.168.2.8 !--- Specify a destination IP
address. ! ip precedence 5 !--- Set IP precedence to critical for voice traffic. ! !

```

Q. Como eu configuro o Cisco 827-4V para se registrar com um porteiro de H.323?

```

!
interface ATM0
 h323-gateway voip interface
 !--- Identifies this interface as a VoIP gateway interface. ! h323-gateway voip id GATEKEEPER
ipaddr 192.168.1.2 1719 !--- Defines the name and location of the gatekeeper !--- for this
gateway. ! h323-gateway voip h323-id GATEWAY !--- Defines the H.323 name of the gateway,
identifying !--- this gateway to its associated gatekeeper. ! ! dial-peer voice 1 pots
destination-pattern 1001 !--- Define the telephone number associated with the port. ! port 1 !--
- Specify the port number. ! dial-peer voice 10 voip destination-pattern +.T !--- Define the
destination number pattern. ! session target ras !--- Specify a destination to be RAS. ! gateway
!

```

Q. Como eu configuro a codificação de linha em minha interface ADSL do Cisco 827?

A. Entre ao Cisco 827 e do modo enable, emitem o **dsl operating-mode xxx** do comando **cisco ios** onde xxx são seu tipo da codificação de linha.

Nota: A interface ADSL 827 Cisco, por padrão, está no modo de detecção automática e detectará automaticamente a codificação de linha a ser usada quando se conectar ao seu Provedor de Serviço da Internet (ISP).

O seguinte exemplo mostra a configuração da codificação de linha para o G.LITE.

```

Router>enable
Router#
Router#configure terminal
Enter configuration commands, one per line. End with CNTL/Z.

Router(config)#interface atm 0
Router(config-if)#dsl operating-mode ?
ansi-dmt ANSI full rate mode
auto auto detect mode
itu-dmt ITU full rate mode
splitterless G.lite mode

Router(config-if)#dsl operating-mode splitterless

Router(config-if)# exit

```



```
Router(config)# exit
Router#write mem
Building configuration...
[OK]
Router#
```

A configuração da exemplo seguinte mostra um Cisco 827 após o seu configurado para o G. LITE.

```
Router#show running
Building configuration...

Current configuration : 1198 bytes
!
```

```
version 12.2

interface ATM0
  no ip address
  dsl operating-mode splitterless
  !--- This is G.LITE mode. ! end
```

Uma outra maneira de verificar que a interface ADSL do Cisco 827 reage do modo do G. LITE é emitir o **ATM 0 do controlador da mostra do** comando cisco ios. Na saída você deve ver (G. Lite). Por exemplo:

```
Router#show controller atm 0
.Snip
.Snip
.Snip
15 Real bd=0x80BFD628 Status=0x0 Buf=0x1F0222E Len=14 Own=0
16 Real bd=0x80BFD634 Status=0x2000 Buf=0x1F0222E Len=14 Own=0
      ATU-R (DS)          ATU-C (US)
Modem Status: Showtime (DMTDSL_SHOWTIME)
DSL Mode: ITU G.992.2 (G.Lite)
!--- G.LITE mode is indicated here. ITU STD NUM: 0x01 0x1 .Snip .Snip end
```

Q. Como eu configuro o NAT e a PANCADINHA para apoiar um servidor de Web interno?

A. Veja [configurar a tradução de endereço de rede e a tradução de endereço da porta estática para apoiar um servidor de Web interno](#).

Informações Relacionadas

- [Cisco 827 Router Frequently Asked Questions](#)
- [Cisco 826, 827, 828, 831, 836, e 837 e SOHO76, 77, 78, 91, 96, e manual de configuração do software dos 97 Router](#)
- [Configuração e Guia de Troubleshooting do Cisco DSL Router](#)
- [Apoio de tecnologia DSL](#)
- [Sustentação do produto do Roteadores](#)
- [Suporte Técnico e Documentação - Cisco Systems](#)