

Cisco 6400 NRP configureren met point-to-point en multipoint interfaces met PPPoA (aal5mux ppp)

Inhoud

[Inleiding](#)

[Voordat u begint](#)

[Conventies](#)

[Voorwaarden](#)

[Gebruikte componenten](#)

[Configureren](#)

[Netwerkdigram](#)

[Configuraties](#)

[Verifiëren](#)

[Problemen oplossen](#)

[Gerelateerde informatie](#)

[Inleiding](#)

Deze voorbeeldconfiguratie toont een Cisco 6400 Universal Access Concentrator (UAC) met een NRP-adapter (Notenrouteprocessor). Voorbeelden van point-to-point en multipoint NRP-configuraties worden verstrekt. Twee Cisco 827 digitale Subscriber Line (DSL)-routers die zijn geconfigureerd met Point-to-Point Protocol over Asynchronous Transfer Mode (PPPoA) (aal5mux ppp) op Cisco 6400 beëindigen.

Configuraties voor een Cisco 6130 Digital Subscriber Line Access Multiplexer (DSLAM) NI2 en Cisco 6400 knooppunten/switchprocessor (NSP) worden ook geleverd.

[Voordat u begint](#)

[Conventies](#)

Zie de [Cisco Technical Tips Convention](#) voor meer informatie over documentconventies.

[Voorwaarden](#)

Er zijn geen specifieke voorwaarden van toepassing op dit document.

[Gebruikte componenten](#)

De informatie in dit document is gebaseerd op de onderstaande software- en hardwareversies.

- Cisco 827-4V Customer Premises Equipment (CPE) IOS® softwarerelease 12.1(1)XB
- Cisco 6400 UAC-NRP-softwarerelease 12.0(7)DC
- Cisco 6400 UAC-NSP IOS-softwarerelease 12.0(4)DB
- Cisco 1630 DSLAM-NI2 IOS-softwarerelease 12.1(1)DA

De informatie in dit document is gebaseerd op apparaten in een specifieke laboratoriumomgeving. Alle apparaten die in dit document worden beschreven, hadden een opgeschoonde (standaard)configuratie. Als u in een levend netwerk werkt, zorg er dan voor dat u de potentiële impact van om het even welke opdracht begrijpt alvorens het te gebruiken.

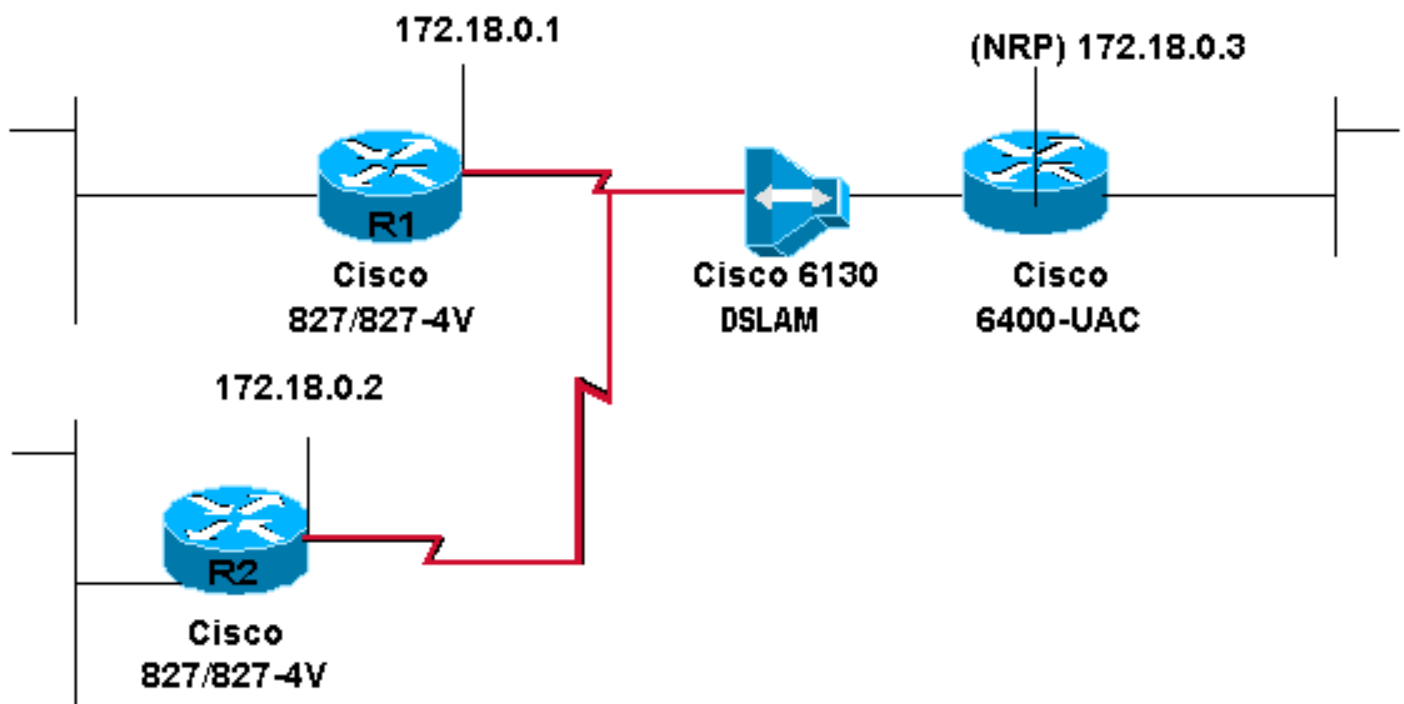
Configureren

Deze sectie bevat informatie over het configureren van de functies die in dit document worden beschreven.

N.B.: Als u aanvullende informatie wilt vinden over de opdrachten in dit document, gebruikt u het [Opdrachtplanningprogramma](#) (alleen [geregistreerd](#) klanten).

Netwerkdigram

Dit document gebruikt de netwerkinstellingen die in het onderstaande schema zijn weergegeven.



Configuraties

Dit document maakt gebruik van de onderstaande configuraties.

- [Cisco 827 router \(R1\)](#)
- [Cisco 827 router \(R2\)](#)
- [Cisco ASR 6130-NI2 DSLAM](#)

- [Cisco 6400 NSP-software](#)
- [Cisco Catalyst 6400-NRP met een point-to-point interface](#)
- [Cisco 6400 NRP met multipoint interface](#)

Cisco 827 router (R1)

```

Current configuration:
!
version 12.0
service timestamps debug datetime msec
service timestamps log datetime msec
!
hostname R1
!
ip subnet-zero
!
interface Ethernet0
  no ip address
  no ip directed-broadcast
!
interface ATM0
  no ip address
  no ip directed-broadcast
  no atm ilmi-keepalive
  pvc 3/100
    encapsulation aal5mux ppp dialer
    dialer pool-member 1
!
bundle-enable
hold-queue 224 in
!
interface Dialer0
  ip address 172.18.0.1 255.255.0.0
  no ip directed-broadcast
  encapsulation ppp
  dialer pool 1
  dialer-group 1
  ppp authentication chap callin
  ppp chap hostname <hostname1> ppp chap password
<password1> ! ip classless ip route 0.0.0.0 0.0.0.0
Dialer0 no ip http server ! dialer-list 1 protocol ip
permit ! voice-port 1 timing hookflash-in 0 ! voice-port
2 timing hookflash-in 0 ! voice-port 3 timing hookflash-
in 0 ! voice-port 4 timing hookflash-in 0 ! end

```

Cisco 827 router (R2)

```

Current configuration:
!
version 12.0
service timestamps debug datetime msec
service timestamps log datetime msec
!
hostname R2
!
ip subnet-zero
!
interface Ethernet0
  no ip address
  no ip directed-broadcast
!

```

```

interface ATM0
  no ip address
  no ip directed-broadcast
  no ATM ilmi-keepalive
  PVC 4/100
    encapsulation aal5mux ppp dialer
    dialer pool-member 1
  !
  bundle-enable
  hold-queue 224 in
  !
interface Dialer0
  ip address 172.18.0.2 255.255.0.0
  no ip directed-broadcast
  encapsulation ppp
  dialer pool 1
  dialer-group 1
  ppp authentication chap callin
  ppp chap hostname <hostname2> ppp chap password
  <password2> ! ip classless ip route 0.0.0.0 0.0.0.0
  Dialer0 ! dialer-list 1 protocol ip permit ! voice-port
  1 timing hookflash-in 0 ! voice-port 2 timing hookflash-
  in 0 ! voice-port 3 timing hookflash-in 0 ! voice-port 4
  timing hookflash-in 0 ! end

```

Cisco ASR 6130-NI2 DSLAM

```

ni2#
Current configuration:
!
version 12.1
service timestamps debug datetime msec
service timestamps log datetime msec
!
hostname ni2
!
slot 1 ATUC-1-4DMT
slot 2 ATUC-4FLEXIDMT
slot 13 ATUC-4FLEXIDMT
!
dsl-profile default
  dmt training-mode quick
ip subnet-zero
!
ATM address
47.0091.8100.0000.0075.2b3f.4d01.0075.2b3f.4d01.00
ATM router pnni
  no aesa embedded-number left-justified
  node 1 level 56 lowest
  redistribute ATM-static
!
interface ATM0/0
  no ip address
  ATM cac service-category abr deny
  ATM maxvp-number 0
  ATM maxvc-number 4096
  ATM maxvci-bits 12
!
interface Ethernet0/0
  no ip route-cache
!
interface ATM0/1
  no ip address

```

```
ATM ilmi-keepalive
!
interface ATM0/2
  no ip address
  no ATM ilmi-keepalive
!
interface ATM1/1
  no ip address
  no ATM ilmi-keepalive
!
interface ATM1/2
  no ip address
  no ATM ilmi-keepalive
!
interface ATM1/3
  no ip address
  no ATM ilmi-keepalive
  ATM PVC 3 100 interface ATM0/1 3 100
!
interface ATM1/4
  no ip address
  no ATM ilmi-keepalive
  ATM PVC 4 100 interface ATM0/1 4 100
!
ip classless
!
end
```

Cisco 6400 NSP-software

```
Current configuration:
!
version 12.0
service timestamps debug datetime msec
service timestamps log datetime msec
!
hostname NSP
!
ip subnet-zero
!
atm address
47.0091.8100.0000.0030.8027.7501.0030.8027.7501.00
atm router pnni
  no aesa embedded-number left-justified
  node 1 level 56 lowest
  redistribute atm-static
!
interface ATM0/0/0
  no ip address
  no ip directed-broadcast
  atm maxvp-number 0
!
interface Ethernet0/0/0
  no ip directed-broadcast
!
interface ATM1/0/0
  no ip address
  no ip directed-broadcast
  no atm ilmi-keepalive
!
interface ATM2/0/0
  no ip address
  no ip directed-broadcast
```

```

no atm ilmi-keepalive
!
interface ATM8/0/0
  no ip address
  no ip directed-broadcast
  no atm ilmi-keepalive
!
interface ATM8/0/1
  no ip address
  no ip directed-broadcast
  no atm ilmi-keepalive
  atm pvc 3 100 interface ATM1/0/0 3 100
  atm pvc 4 100 interface ATM1/0/0 4 100
!
ip classless
!
end

```

Cisco Catalyst 6400-NRP met een point-to-point interface

```

Current configuration:
!
version 12.0
service timestamps debug datetime msec
service timestamps log datetime msec
!
hostname NRP
!
username <username1> password <password1> username
<username2> password <password2> ! redundancy main-cpu
no auto-sync standard no secondary console enable ip
subnet-zero ! interface Loopback0 ip address 172.18.0.3
255.255.0.0 no ip directed-broadcast ! interface
ATM0/0/0 no ip address no ip directed-broadcast no ip
route-cache no atm ilmi-keepalive ! interface ATM0/0/0.3
point-to-point no ip directed-broadcast pvc 3/100
encapsulation aal5mux ppp Virtual-Template1 ! !
interface ATM0/0/0.4 point-to-point no ip directed-
broadcast pvc 4/100 encapsulation aal5mux ppp Virtual-
Template1 ! interface Ethernet0/0/1 no ip address no ip
directed-broadcast ! interface Ethernet0/0/0 no ip
directed-broadcast ! interface FastEthernet0/0/0 no ip
address no ip directed-broadcast full-duplex ! interface
Virtual-Template1 ip unnumbered Loopback0 no ip
directed-broadcast no peer default ip address ppp
authentication chap ! ip classless end

```

Cisco 6400 NRP met multipoint interface

```

NRP#
Current configuration:
!
version 12.0
service timestamps debug datetime msec
service timestamps log datetime msec
!
hostname NRP
!
username <username1> password <password1> username
<username2> password <password2> ! redundancy main-cpu
no auto-sync standard no secondary console enable ip
subnet-zero ! interface Loopback0 ip address 172.18.0.3
255.255.0.0 no ip directed-broadcast ! interface

```

```
ATM0/0/0 no ip address no ip directed-broadcast no ip
route-cache no atm ilmi-keepalive ! interface ATM0/0/0.9
multipoint no ip directed-broadcast pvc 3/100
encapsulation aal5mux ppp Virtual-Template1 ! pvc 4/100
encapsulation aal5mux ppp Virtual-Template1 ! interface
Ethernet0/0/1 no ip address no ip directed-broadcast !
interface Ethernet0/0/0 no ip directed-broadcast !
interface FastEthernet0/0/0 no ip address no ip
directed-broadcast full-duplex ! interface Virtual-
Template1 ip unnumbered Loopback0 no ip directed-
broadcast no peer default ip address ppp authentication
chap ! ip classless ! end
```

[Verifiëren](#)

Er is momenteel geen verificatieprocedure beschikbaar voor deze configuratie.

[Problemen oplossen](#)

Er is momenteel geen specifieke troubleshooting-informatie beschikbaar voor deze configuratie.

[Gerelateerde informatie](#)

- [Cisco 827 router configureren](#)
- [Cisco 6400 Series softwaresetup-gids](#)
- [Informatie over Cisco DSL-technologie](#)
- [Productondersteuning - Cisco-systemen](#)
- [Technische ondersteuning - Cisco-systemen](#)