



概要

この章では、レイヤ2機能をサポートする Cisco NX-OS デバイスの概要について説明します。

この章は、次の内容で構成されています。

- [レイヤ2イーサネットスイッチングの概要, 1 ページ](#)
- [VLANs, 2 ページ](#)
- [Private VLANs, 2 ページ](#)
- [Spanning Tree, 2 ページ](#)
- [Virtualization, 4 ページ](#)
- [関連資料, 5 ページ](#)

レイヤ2イーサネットスイッチングの概要

このデバイスは、レイヤ2イーサネットセグメント間の同時パラレル接続をサポートします。イーサネットセグメント間のスイッチド接続が維持されるのは、パケットの伝送時間の長さだけです。次のパケットには、別のセグメント間に新しい接続が確立されます。

また、このデバイスでは、各デバイス（サーバなど）を独自の 10、100、1000 Mbps、または 10 ギガビットのコリジョンドメインに割り当てることによって、広帯域デバイスおよび多数のユーザによって発生する輻輳の問題を解決できます。各 LAN ポートが個別のイーサネットコリジョンドメインに接続されるので、スイッチド環境のサーバは全帯域幅にアクセスできます。

衝突はイーサネットネットワークに重大な輻輳を引き起こしますが、有効な解決策の1つは全二重通信です。一般的に、10/100Mbpsイーサネットは半二重モードで動作するので、各ステーションは送信または受信のどちらかしか実行できません。これらのインターフェイスを全二重モードに設定すると、2つのステーション間で同時に送受信を実行できます。パケットを双方向に同時に送ることができるので、有効なイーサネット帯域幅は2倍になります。1/10 ギガビットイーサネットは、全二重モードだけで動作します。

VLANs

A VLAN is a switched network that is logically segmented by function, project team, or application, without regard to the physical locations of the users. VLANs have the same attributes as physical LANs, but you can group end stations even if they are not physically located on the same LAN segment.

Any switch port can belong to a VLAN, and unicast, broadcast, and multicast packets are forwarded and flooded only to end stations in that VLAN. Each VLAN is considered as a logical network, and packets destined for stations that do not belong to the VLAN must be forwarded through a bridge or a router.

All ports, including the management port, are assigned to the default VLAN (VLAN1) when the device first comes up. A VLAN interface, or switched virtual interface (SVI), is a Layer 3 interface that is created to provide communication between VLANs.

The devices support 4094 VLANs in accordance with the IEEE 802.1Q standard. These VLANs are organized into several ranges, and you use each range slightly differently. Some of these VLANs are reserved for internal use by the device and are not available for configuration.



(注) Inter-Switch Link (ISL) trunking is not supported on the Cisco NX-OS.

Private VLANs

Private VLANs provide traffic separation and security at the Layer 2 level.

A private VLAN is one or more pairs of a primary VLAN and a secondary VLAN, all with the same primary VLAN. The two types of secondary VLANs are isolated and community VLANs. Hosts on isolated VLANs communicate only with hosts in the primary VLAN. Hosts in a community VLAN can communicate only among themselves and with hosts in the primary VLAN but not with hosts in isolated VLANs or in other community VLANs.

Regardless of the combination of isolated and community secondary VLANs, all interfaces within the primary VLAN comprise one Layer 2 domain, and therefore, require only one IP subnet.

Spanning Tree

This section discusses the implementation of the Spanning Tree Protocol (STP) on the software. Spanning tree is used to refer to IEEE 802.1w and IEEE 802.1s. When the IEEE 802.1D Spanning Tree Protocol is referred to in the publication, 802.1D is stated specifically.

STP Overview

STP provides a loop-free network at the Layer 2 level. Layer 2 LAN ports send and receive STP frames, which are called Bridge Protocol Data Units (BPDUs), at regular intervals. Network devices do not forward these frames but use the frames to construct a loop-free path.

802.1D is the original standard for STP, and many improvements have enhanced the basic loop-free STP. You can create a separate loop-free path for each VLAN, which is named Per VLAN Spanning Tree (PVST+).

Additionally, the entire standard was reworked to make the loop-free convergence process faster to keep up with the faster equipment. This STP standard with faster convergence is the 802.1w standard, which is known as Rapid Spanning Tree (RSTP). Now, these faster convergence times are available as you create STP for each VLAN, which is known as Per VLAN Rapid Spanning Tree (Rapid PVST+).

Finally, the 802.1s standard, Multiple Spanning Trees (MST), allows you to map multiple VLANs into a single spanning tree instance. Each instance runs an independent spanning tree topology.

Although the software can interoperate with legacy 802.1D systems, the system runs Rapid PVST+ and MST. You can use either Rapid PVST+ or MST in a given VDC; you cannot mix both in one VDC. Rapid PVST+ is the default STP protocol for Cisco NX-OS devices.



(注) Cisco NX-OS uses the extended system ID and MAC address reduction; you cannot disable these features.

In addition, Cisco has created some proprietary features to enhance the spanning tree activities.

Rapid PVST+

Rapid PVST+ is the default spanning tree mode for the software and is enabled by default on the default VLAN and all newly created VLANs.

A single instance, or topology, of RSTP runs on each configured VLAN, and each Rapid PVST+ instance on a VLAN has a single root device. You can enable and disable STP on a per-VLAN basis when you are running Rapid PVST+.

MST

The software also supports MST. The multiple independent spanning tree topologies enabled by MST provide multiple forwarding paths for data traffic, enable load balancing, and reduce the number of STP instances required to support a large number of VLANs.

MST incorporates RSTP, so it also allows rapid convergence. MST improves the fault tolerance of the network because a failure in one instance (forwarding path) does not affect other instances (forwarding paths).



(注) Changing the spanning tree mode disrupts the traffic because all spanning tree instances are stopped for the previous mode and started for the new mode.

You can force specified interfaces to send prestandard, rather than standard, MST messages using the command-line interface.

STP Extensions

The software supports the following Cisco proprietary features:

- Spanning tree port types—The default spanning tree port type is normal. You can configure interfaces connected to Layer 2 hosts as edge ports and interfaces connected to Layer 2 switches or bridges as network ports.

- Bridge Assurance—Once you configure a port as a network port, Bridge Assurance sends BPDUs on all ports and moves a port into the blocking state if it no longer receives BPDUs. This enhancement is available only when you are running Rapid PVST+ or MST.
- BPDU Guard—BPDU Guard shuts down the port if that port receives a BPDU.
- BPDU Filter—BPDU Filter suppresses sending and receiving BPDUs on the port.
- Loop Guard—Loop Guard prevents the nondesignated ports from transitioning to the STP forwarding state, which prevents loops in the network.
- Root Guard—Root Guard prevents the port from becoming the root in an STP topology.

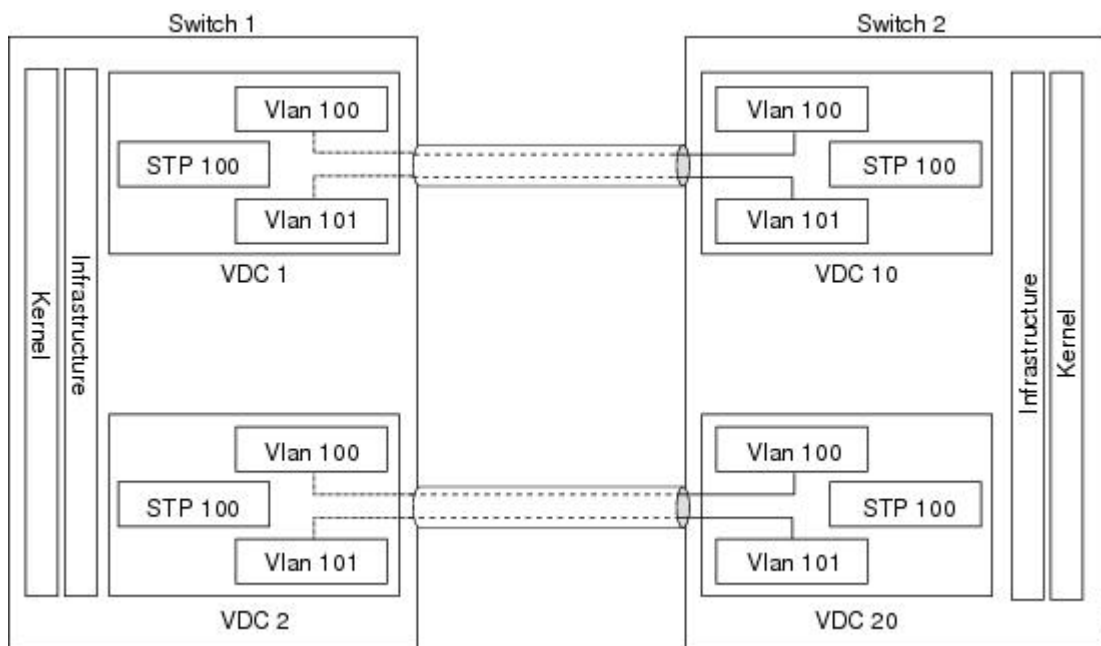
Virtualization

Cisco NX-OS devices introduce support for multiple virtual device contexts (VDCs) on a single switching device. Each VDC is treated as a standalone device with specific resources, such as physical interfaces, allocated to each VDC by the network admin role. An administrator is assigned to each VDC and that administrator has a limited view of the system, within that specific VDC. Faults are also isolated to within the specific VDC.

This VDC concept applies to all features on Cisco NX-OS, including all Layer 2 switching features.

All processes work independently in each VDC. You can reuse the process identification numbers in different VDCs. This figure shows how to reuse the VLAN 100 identifier in each separate VDC.

図 1 : VDCs with Layer 2 Services



Each VDC acts as a standalone device with Layer 2 services available. VDCs allow you to share a physical device among several logical functions. You can provision and assign entirely separate Layer 2 resources to individual VDCs.

You can configure several VDCs, and each VDC is a group of physical device resources. You assign resources and user roles for each VDC. VDCs allows flexible resources as well as enhanced fault isolation.

VDCs allow the separation of processes and management environments, providing well-defined fault and administrative boundaries between logical devices. Each VDC can be considered as a separate device with its own configuration, resources, users, and management interface.

VDCs define different administrator levels, or roles, that can access and administer each VDC. Commands outside the scope of a given user role are either hidden from that user's view or can return an error if the command is entered. This feature limits the number of users who can access the entire physical device and introduce traffic-disrupting misconfigurations.



(注)

See the 『*Cisco Nexus 7000 Series NX-OS Virtual Device Context Configuration Guide*』, for complete information on virtual device contexts (VDCs) and assigning resources.

See the 『*Cisco Nexus 7000 Series NX-OS High Availability and Redundancy Guide*』, for information on restartability and seamless transitions.

関連資料

レイヤ 2 スイッチング機能に関連するマニュアルは、次のとおりです。

- 『*Cisco Nexus 7000 Series NX-OS Layer 2 Switching Command Reference*』
- 『*Cisco Nexus 7000 Series NX-OS Interfaces Configuration Guide, Release 6.x*』
- 『*Cisco Nexus 7000 Series NX-OS Security Configuration Guide, Release 6.x*』
- 『*Cisco Nexus 7000 Series NX-OS Virtual Device Context Configuration Guide*』
- 『*Cisco NX-OS Licensing Guide*』
- 『*Cisco Nexus 7000 Series NX-OS High Availability and Redundancy Guide*』
- 『*Cisco Nexus 7000 Series NX-OS System Management Configuration Guide, Release 6.x*』

