



## Overview

---

The Evolved Packet Core (EPC) network is evolving and moving toward Control User Plane Separation (CUPS) based architecture where User-Plane and Control-Plane are separate node for P-GW, S-GW, and TDF products. The User Plane and Control Plane combined together provide functionality of a node for other elements in the EPC network. However, keeping them separate has numerous advantages from the network point of view – support different scaling for Control-Plane and User-Plane, support more capacity on per session level in User-Plane, and so on.

This chapter highlights high-level details, call flows, and configurations related to the Sx Interface implementation for P-GW, S-GW, and SAEGW products.

- [Product Description, on page 1](#)
- [How It Works, on page 1](#)

## Product Description

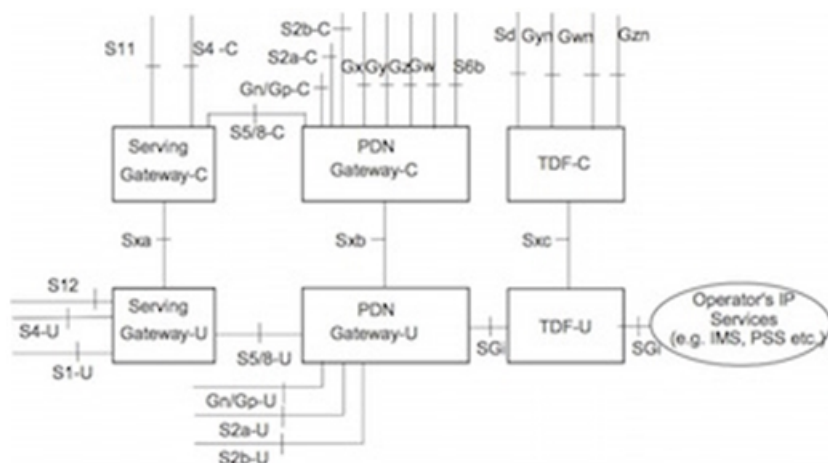
Sx is the interface between the Control-Plane and User-Plane in a split P-GW, S-GW, and TDF architecture in an Evolved Packet Core (EPC) that provides Packet Forwarding Control Protocol (PFCP) service. One of the main tasks of the Sx interface is to enable the Control-Plane function to instruct the User-Plane function about how to forward user data traffic.

## How It Works

The following section provides a brief overview of the Sx service works.

## Architecture

The following illustration provides a reference model in the case of separation between Control-Plane and User-Plane.

**Note**

- The -C or -U suffix appended to S2a, S2b, S5 and S8 existing reference points only indicate the Control-Plane and User-Plane components of those interfaces.
- The architecture only depicts the case when the Control-Plane and User-Plane functions of all S-GW, P-GW and TDF nodes are split. It also supports scenarios where the Control-Plane and User-Plane function of only one of these nodes is split while the Control-Plane and User-Plane function of the other interfacing node is not split. For example, it supports a scenario where the Control-Plane and User-Plane of the P-GW is split while that of the S-GW is not split. This split architecture of a node does not put any architectural requirements on the peer nodes with which it interfaces.
- TDF is an optional functional entity.

The following sections describe the services supported on the Sx Interface.

## Sx Service

The Sx Service provides an interface mentioned as the following reference points:

- **Sxa:** Reference point between SGW-C and SGW-U.
- **Sxb:** Reference point between PGW-C and PGW-U.
- **Sxc:** Reference point between Traffic Detection Function-C (TDF-C) and TDF-U.

The Sx service is agnostic of the interface it supports. A single Sx service instance is capable of running on Sxa, Sxb, and Sxc interfaces. The Sx service runs in two different modes:

- Sx-Control instance
- Sx-Data instance

The Sx service is associated with the SAEGW service at the Control-Plane and User-Plane service at the User-Plane. There is one-to-one mapping of the Sx service with the Control-Plane and Data Plane.

The association of the SAEGW service occurs as follows:

```

saegw-service saegw-service
  associate sgw-service sgw-service
  associate pgw-service pgw-service
  associate gtpu-service control_gtpu up-tunnel
  associate sx-service sxc

```

The association of the User-Plane service occurs as follows:

```

user-plane-service user-plane-service
  associate gtpu-service sx-gtpu-service pgw-ingress
  associate gtpu-service sx-sgw_ingress_gtpu sgw-ingress
  associate gtpu-service sx-sgw_egress_gtpu sgw-egress
  associate gtpu-service control_gtpu cp-tunnel
  associate sx-service sxu

```

At the Control-Plane for SAEGW service (legacy SAEGW Service), CUPS-enabled flag in EGTPC service determines whether SAEGW is CUPS enabled or not. If SAEGW service is CUPS enabled, then Sx service is a mandatory parameter for SAEGW service to start. Only having association at the SAEGW service does not make Sx a mandatory parameter for SAEGW service.

If Sx service is a mandatory parameter (because of CUPS-enabled flag), then Sx service stop and Sx IP address brings down the SAEGW service.

For information about configuring the Sx Service, see the “Configuring Sx Service” section.

## Sx-u Interface

This section explains the interaction between the Sx-u Interface, User-Plane-service, and SAEGW-service.

Sx-u is the User-Plane interface over the Sxa and Sxb reference points. The protocol used on the Sx-u Interface is GTP-U. Both IPv4 and IPv6 transport is supported.

At the User-Plane, Sx-u service is a mandatory parameter for User-Plane service to start. Being a mandatory parameter, Sx-u Interface stops and Sx-u IP address brings down the User-Plane service.

The Control-Plane establishes one Sx-u tunnel per function or session as described in the section below.

### Sx-u Tunnel per PDN session

Control-Plane establishes one Sx-u tunnel per PDN session for router advertisement and router solicitation messages.

In this scenario, Control-Plane uses the existing Sx tunnel per PDN (created during GTP-C initial attach procedure) for installing Packet Detection Rule (PDR) or Forwarding Action Rule (FAR) related to data forwarding between the Control-Plane and User-Plane functions on the User-Plane.

For information about configuring the Sx-u Interface, see the *Configuring Sx-u Interface* section.

## Sx Demux

The Sx Demux provides session de-multiplexing functionality on the Data plane. One instance of Sx Demux is started per context. When implemented, the Sx Demux supports the following behavior:

1. Works as Sx Control-Plane Demux when implemented on the Control-Plane and supports handling of Node level messages such as Prime PDF Management Messages.
2. Works as Sx Data Plane Demux when implemented on the Data Plane and supports:
  - Handling of Session level messages such as Session Establish Request.
  - Handling of Session level messages such as Session Establish Request.

3. Works as Sx Data Pane Demux performing load balancing of Session Establish Request between all Session Managers.
4. Supports default PFCP packet receiver port 8805.

The Sx service is associated with SAEGW service at Control-Plane and is associated with User-Plane Service at User-Plane. Sx Demux is initiated when the first Sx service is created with the minimum mandatory parameter in the context.

The Sx Demux functions as follows:

- **When working as Sx Data Demux**

The Session Manager (Data Plane) sends the add session response indicating addition of new session and delete session request on deletion of session on Session Manager. Sx Data Demux maintains session count per session manager.

- **When working as Sx Control Demux**

The Sx Control Demux uses Prime PFD Management Messages (proprietary messages) to communicate static and dynamic rule configuration from Control-Plane to associated Data plane.

## Proprietary Sx Messages Information

### Proprietary Prime PFD message format

Octets	Bits							
	8	7	6	5	4	3	2	1
1	Version			Spare	Spare	Spare	MP=0	S=0
2	Message Type							
	47 Prime PFD Management Request							
	48 Prime PFD Management Response							
3	Message Length (1st Octet)							
4	Message Length (2nd Octet)							
5	Sequence Number (1st Octet)							
6	Sequence Number (2nd Octet)							
7	Sequence Number (3rd Octet)							
8	Spare							

### Cisco PFD Management Request

Information elements	P	Condition / Comment	IE Length	IE ID

Config Action	M	1 – Add configuration	1 Byte	202
		2 – Delete Configuration		
Co-Relation id	M	unique number which will represent transaction id.	2 Byte	203
		During Split buffer message, correlation id will be same so that receiver can combine buffer.		
Number of Sub Part	O	N – Indicates Total number of sub parts	1 Byte	204
Sub Part index	O	Indicates the part number going into this message.	1 Byte	205
Content TLV	M	Type – Indicates Rule-Def, Charging Action or Action priority line - 1 Byte	3003 byte	
		Length – Length of Content - 2 Byte		206
		Value – Actual Buffer content - Max size 3000 Bytes		

**Cisco PFD Management Response**

Information elements	P	Condition / Comment	IE Length	IE ID
PFCP Cause	M	1 Success	1 byte	19
		0 Failure		
CoRelation id	M	Unique number – same as request message. Indicates to sender that this correlation has been received.	2 byte	203

Sub Part Index	O	Indicates the part number received into this message.	1 byte	205
		This will be only present when Split mode is used.		

### Header information

#### Proprietary Sx Stats Query Req/Rsp/Ack

**Table 1: PFCP Header format for Node level Query Message**

Octets	8	7	6	5	4	3	2	1
1	Version			Spare	Spare	Spare	MP=0	S=0
2	Message Type 44 Sx Stats Query Request 45 Sx Stats Query Response 46 Sx Stats Query Ack/NACK							
3	Message Length (1st Octet)							
4	Message Length (2nd Octet)							
5	Sequence Number (1st Octet)							
6	Sequence Number (2nd Octet)							
7	Sequence Number (3rd Octet)							
8	Spare							

#### PFCP Header format for Subscriber/Session level Query Message

Octets	8	7	6	5	4	3	2	1
1	Version			Spare	Spare	Spare	MP=0	S=1
2	Message Type 44 Sx Stats Query Request 45 Sx Stats Query Response							
3	Message Length (1st Octet)							
4	Message Length (2nd Octet)							
5	Session Endpoint Identifier (1st Octet)							
6	Session Endpoint Identifier (2nd Octet)							
7	Session Endpoint Identifier (3rd Octet)							
8	Session Endpoint Identifier (4th Octet)							

9	Session Endpoint Identifier (5th Octet)
10	Session Endpoint Identifier (6th Octet)
11	Session Endpoint Identifier (7th Octet)
12	Session Endpoint Identifier (8th Octet)
13	Sequence Number (1st Octet)
14	Sequence Number (2nd Octet)
15	Sequence Number (3rd Octet)
16	Spare

### IEs and Message Formats

Stats reporting framework shall use the messages and IE types as outlined below.

**Table 2: Information Elements in Sx Stats Query Request Message**

Information elements	P	Condition / Comment	IE Type	IE ID
Correlation ID	M	Unique number, which will represent transaction ID	Correlation ID	203
Stats Request	C	This IE shall be present if the Node Report Type indicates a statistics report request.	Stats request	209

**Table 3: Information Elements in Sx Stats Query Response Message**

Information elements	P	Condition / Comment	IE Type	IE ID
PFCP Cause	M	1 Success , 0 Failure	PFCP Cause	
Correlation ID	M	Unique number, which will represent transaction ID.  During Split buffer message, Correlation ID will be same for all the messages so that receiver can identify uniquely the request to which the responses correspond.	Correlation ID	203

Stats response	C	This IE shall be present if the Node Report Type indicates a statistics report response.	Stats response	212
----------------	---	--	----------------	-----

Table 4: Information Elements in Sx Stats Query Ack/NACK

Information elements	P	Condition / Comment	IE Type	IE ID
Correlation ID	M	Unique number, which will represent transaction ID.	Correlation ID	203
Stats Ack/NACK	M	This IE shall be present to inform Ack/NACK to peer.	Stats response ACK/NACK	213

## Sx Interface Private Information Element (IE) List

**IE Type: 201**

**IE Name: PFCP\_IE\_UPDATE\_ADDNL\_FORW\_PARAMS**

### IE Format and Encoding Information

Octet 1 and 2	Update Additional Forwarding Parameters IE Type = x (decimal)					
Octets 3 and 4	Length = n					
Information elements	P	Condition / Comment	Appl.			IE Type
			Sxa	Sxb	Sxc	
Destination Interface	C	This IE shall only be provided if it is changed.  When present, it shall indicate the destination interface of the outgoing packet.	X	X	X	Destination Interface
Outer header removal	C	This IE shall only be provided if it is changed.	X	X	-	



Outer Header Creation	C	This IE shall only be provided if it is changed.	X	X	-	Outer Header Creation
Outer header marking	C	This IE shall only be provided if it is changed.			-	
Forwarding Policy	C	This IE shall only be provided if it is changed.	-	X	X	Forwarding Policy

**Sx Message(s) Using the IE:** Update FAR IE within Sx Session Modification Request.

**IE Type: 202**

**IE Name: PFCP\_IE\_CONFIG\_ACTION**

**IE Format and Encoding Information**

Octet 1 and 2	Sub Part Number IE Type = 202 (decimal)			
Octets 3 and 4	Length = 1 byte			
<b>Information elements</b>	<b>P</b>	<b>Condition / Comment</b>	<b>IE Length</b>	<b>IE ID</b>
Config Action	O	Add or Delete the config	1 Byte	202

**IE Type: 203**

**IE Name: PFCP\_IE\_CORRELATION\_ID**

**IE Format and Encoding Information**

Octet 1 and 2	Correlation ID IE Type = 203 (decimal)			
Octets 3 and 4	Length = 2 bytes			
<b>Information elements</b>	<b>P</b>	<b>Condition / Comment</b>	<b>IE Length</b>	<b>IE ID</b>

Co-Relation ID	M	Unique number which will represent transaction ID.	2 Byte	203
		During Split buffer message, correlation ID will be same so that receiver can combine buffer.		

**Sx Message(s) Using the IE:** Sx Prime PFD MGMT Request for configuring the UP with various configurations.

Sx Prime PFD MGMT Response

**IE Type: 204**

**IE Name: PFCP\_IE\_SUB\_PART\_NUMBER**

**IE Format and Encoding Information**

Octet 1 and 2	Sub Part Number IE Type = 204 (decimal)			
Octets 3 and 4	Length = 1 byte			
<b>Information elements</b>	<b>P</b>	<b>Condition / Comment</b>	<b>IE Length</b>	<b>IE ID</b>
Number of Sub Parts	O	N – Indicates Total number of sub parts for this config	1 Byte	204

**Sx Message(s) Using the IE:** Sx Prime PFD MGMT Request for configuring the UP with various configurations.

**IE Type: 205**

**IE Name: PFCP\_IE\_SUB\_PART\_INDEX**

**IE Format and Encoding Information**

Octet 1 and 2	Sub Part Index IE Type = 205 (decimal)			
Octets 3 and 4	Length = 1 byte			
<b>Information elements</b>	<b>P</b>	<b>Condition / Comment</b>	<b>IE Length</b>	<b>IE ID</b>
Sub Part index	O	Indicates the sub part number going into this config message.	1 Byte	205

**Sx Message(s) Using the IE:** Sx Prime PFD MGMT Request for configuring the UP with various configurations.

Sx Prime PFD MGMT Response.

**IE Type: 206**

**IE Name: PFCP\_IE\_CONTENT\_TLV**

**IE Format and Encoding Information**

Octet 1 and 2	Content TLV IE Type = 206 (decimal)			
Octets 3 and 4	Length = 3003 bytes			
Information elements	P	Condition / Comment	IE Length	IE ID
Content TLV	M	Type – Indicates Rule-Def, Charging Action ,Action priority line , Rule and Route config,Group of Ruledef,	3003 bytes	206
		Rule in GoR - 1 Byte		
		Length – Length of Content - 2 Byte		
		Value – Actual Buffer content - Max size 3000 Bytes		

**Sx Message(s) Using the IE:** Sx Prime PFD MGMT Request for configuring the UP with various configurations.

**IE Type: 207**

**IE Name: PFCP\_IE\_RBASE\_NAME**

**IE Format and Encoding Information**

	Bits							
Octets	8	7	6	5	4	3	2	1
1 to 2	Type = 202 (decimal)							
3 to 4	Length = n							
5 to n	Rulebase Name							



- Note**
- Octets 1-2—Indicates Rulebase IE. Type 202 Reserved
  - Octets 3-4—Indicates the length of rulebase name
  - Octets 5-n—Rulebase name

This IE contains the active Rulebase Name for a subscriber to be communicated to User Plane.

**IE Type: 208**

**IE Name: NSH-INFO**

**IE Format and Encoding Information**

Octets	Bits							
	8	7	6	5	4	3	2	1
1 to 2	Type = 208 (decimal)							
3 to 4	Length = n							
5 to 5	BitOctet							
6 to 6	MSISDN Len							
7 to 22	MSISDN							
23 to 23	IMSI Len							
24 to 40	IMSI							

**IE Type: 209**

**IE Name: Stats request IE**

**IE Format and Encoding Information**

Information Elements	P	Condition / Comment	IE Type	IE ID
Query Params	M	Query Params shall describe the type of the query and optionally the name of the entity being queried.	Query Params	210

Classifier Params	O	These shall be used along with query params for narrowing down the search.	Classifier Params	211
-------------------	---	--	-------------------	-----

This IE are be of grouped type and consist of two IEs: Query Params IE and the Classifier Params IE. Multiple instances of Classifier Params IE can be present.

**IE Type: 210**

**IE Name: Query Params IE**

**IE Format and Encoding Information**

Octets	8	7	6	5	4	3	2	1
1 to 2	Type = 210 (decimal)							
3 to 4	Length = n							
7	ENTITY TYPE							
8	Spare					QUERY TYPE	QUERY ALL	
9 to 10	Entity Name Length							
10 to n	Entity Name							

Query Params is encoded as follows:

Octet 7: ENTITY TYPE – Numeric Identifier. Indicates the type of entity being queried:

1: Network Instance (APN name) – [PFCP IE ID: 22] 2: Rulebase etc. (Future use) – [PFCP IE ID: 207]

Octet 8 encodes following flags:

- QUERY ALL—Indicates whether we are querying one instance of the specified entity or all of them.
- QUERY TYPE—Indicates whether we are querying individual ENTITY of the given type or we are expecting aggregated node level statistics. It takes values as follows:
  - 0: Bit when unset, indicates individual statistics.
  - 1: Bit when set indicates aggregated statistics.

Valid combinations of above flags are used to realize the use cases.

**IE Type: 211**

**IE Name: Classifier Params IE**

**IE Format and Encoding Information**

<b>Bits</b>
-------------

Octets	8	7	6	5	4	3	2	1
1 to 2	Type = 211 (decimal)							
3 to 4	Length = n							
5	Classifier Type							
6	Classifier Length							
7 to n	Classifier							

Classifier Params IE is encoded as follows:

Octet 5: Encodes the type of the classifier. It is defined by the context set by entity type.

So, same numeric identifiers may mean different for two different entity types.

Octet 6 encodes the length of classifier. The maximum of 256 byte long classifier is accommodated.

Octet 7 onwards is used to encode the classifier content. This content is encoded as an octet string. In case of numeric classifiers, the numbers are appropriately converted into string format and are delivered as is to the application. This process removes the length limitation on type of encoded numeric identifiers.

### IE Type: 212

### IE Name: Stats response IE

### IE Format and Encoding Information

Octets	Bits							
	8	7	6	5	4	3	2	1
1 to 2	Type = 212 (decimal)							
3 to 4	Length = n							
5	ENTITY TYPE							
6	Part Number							
7	Total Number of Parts							
8 to n	Blob of data							

ENTITY TYPE is same as the one that is received in request. Else, Control Plane rejects the response from the User Plane.

The response from User plane can span across multiple messages depending upon the amount of data that needs to be sent to Control Plane.

- Message ID identifies one subpart of the response.
- Total number of messages this response consists of.

Blob of data consists of compressed context specific data. Contents of the same are uncompressed at Control Plane and interpreted as per the identifiers received (ENTITY TYPE).

**IE Type: 213****IE Name: Stats response ACK/NACK****IE Format and Encoding Information**

Octets	Bits							
	8	7	6	5	4	3	2	1
1 to 2	Type = 213 (decimal)							
3 to 4	Length = n							
5	RESPONSE TYPE							
6 to n	Missing message parts							

RESPONSE TYPE is: 0: ACK (success) if all parts of the response are correctly received at CP 1: NACK (failure) - CP responds with the message parts that were not received within the specified time.

Octets 6 and onwards specifies missing part numbers at CP in case CP sends out a NACK.

Use of NACK mechanism is not envisaged as of now. These will be incorporated in call flows, if required in future.

**IE Type: 214****IE Name: PFCP\_IE\_PACKET\_MEASUREMENT****IE Format and Encoding Information**

The Packet Measurement IE contains the measured traffic volume in packets. This IE is encoded as shown below:

Octets	Bits							
	8	7	6	5	4	3	2	1
1 to 2	Type = 214 (decimal)							
3 to 4	Length = n							
5	Spare					DLVOL	ULVOL	TOVOL
m to (m+7)	Total Packets							
p to (p+7)	Uplink Packets							
q to (q+7)	Downlink Packets							
s to (n+4)	These octet(s) is/are present only if explicitly specified							

The following flags are coded within Octet 5:

- Bit 1 – TOVOL— If this bit is set to "1", then the Total Packets field appears. Else, the Total Packets field is does not appear.
- Bit 2 – ULVOL—If this bit is set to "1", then the Uplink Packets field appears. Else, the Uplink Packets field does not appear.
- Bit 3 – DLVOL—If this bit is set to "1", then the Downlink Packets field appears. Else, the Downlink Packets field does not appear.
- Bit 4 to bit 8—These are spare bits for future use, and are set to 0.

At least one bit is set to 1. However, you can set many bits to 1.

The Total Packets, Uplink Packets, and Downlink Packets fields are encoded as an Unsigned64 binary integer value. They contain the total, uplink, or downlink number of packets respectively.

This is not a mandatory IE for any Message.

This IE is available in the following Messages between Control Plane and User Plane.

- Sx Session Modification over SxA, SxB, SxC, SxAB
- Sx Usage Report Session Deletion Response over SxA, SxB, SxC, SxAB
- Sx Usage Report Session Report Request over SxA, SxB, SxC, SxAB

### IE Type: 215

### IE Name: PCFP\_IE\_EXTENDED\_MEASUREMENT\_METHOD

### IE Format and Encoding Information

A new IE (215 - Extended Measurement Method) is encoded as shown below. This IE indicates the method for measuring the usage of network resources.

	Bits							
Octets	8	7	6	5	4	3	2	1
1 to 2	Type = 215 (decimal)							
3 to 4	Length = n							
5	Spare	Spare	Spare	Spare	Spare	Spare	Spare	Pkt
6 to (n+4)	These octet(s) is/are present only if explicitly specified							

**Figure Extended Measurement Method**

Octet 5 is encoded as follows:

- Bit 1 – Pkt (Packet)—When set to 1, this bit indicates a request for measuring the usage of the traffic in packets.
- Bit 2 to 8—These are spare bits for future use, and are set to 0.





**Note** Only one bit is set to 1.

This is not a mandatory IE for any Message.

This IE can be available in the following message between Control Plane and User Plane.

- Sx Session Establishment over SxA, SxB, SxC, SxAB

Similarly, Usage Report from User Plane is enhanced to support the packet information.

**IE Type: 216**

**IE Name: PFCP\_IE\_RECALCULATE\_MEASUREMENT**

#### IE Format and Encoding Information

This private IE has been added to support "Max number of change conditions" trigger for offline charging records, such as Gz and Rf.

Octets	Bits							
	8	7	6	5	4	3	2	1
1 to 2	Type = 62 (decimal)							
3 to 4	Length = n							
5	Spare	Spare	Spare	Spare	Spare	Spare	RCVOL	RCDUR
6 to (n+4)	These octet(s) is/are present only if explicitly specified							

The following flags are coded within Octet 5:

- Bit 1 – RCDUR (Re-calculate Duration Measurement)—When set to 1, this flag indicates a request for resetting the Duration Measurement to ‘0’ by the UP function.
- Bit 2 – RCVOL (Re-calculate Volume Measurement)—When set to 1, this flag indicates a request for resetting the Volume Measurement to ‘0’ by the UP function. Then, the UP function proceeds to repopulate the Volume Measurement. The repopulation is done by aggregating the Volume Measurement of all the URRs that contain Linked URR ID as the URR ID sent in Update URR IE.
- Bit 3 to 8—Spare bits for future use, and are set to 0.

1. PFCP Session Modification Request
2. PFCP Session Report Response

**IE Type: 217****IE Name: PFCP\_IE\_SUB\_INFO****IE Format and Encoding Information**

	Bits							
Octets	8	7	6	5	4	3	2	1
1 to 2	Type = 217 (decimal)							
3 to 4	Length = n							
5 to 5	BitOctet							
6 to 6	MSISDN Len							
7 to 22	MSISDN							
23 to 23	IMSI Len							
24 to 40	IMSI							
41 to 41	IMEI Len							
42 to 57	IMEI							
58 to 61	Call ID							

Octets 5-5: BitOctet. Indicates the available fields.

- Bit 1—IMSI
- Bit 2—MSISDN
- Bit 3—IMEI
- Bit 4—Call ID

**IE Type: 218****IE Name: PFCP\_IE\_INTR\_INFO****IE Format and Encoding Information**

The IE is part of Create Dupl Params and Update Duplicate Params IE.

Create Duplicate Params IE can be part of SX Establishment Req and SX Session Modify Request.

Update Duplicate Params IE can be part of SX Session Modify Request.

	Bits

Octets	8	7	6	5	4	3	2	1
1 to 2	Type = 218 (decimal)							
3 to 4	Length = n							
5 to 5	BitOctet							
6 to 9	Intercept ID							
10 to 13	Charging ID							
14 to 17	Bearer ID							
18 to 18	Context name Len							
19 to 22	Context name							

Octets 5-5: BitOctet. Indicates the available fields.

- Bit 1—Intercept ID
- Bit 2—Charging ID
- Bit 3—Bearer ID
- Bit 4—Context name

**IE Type: 219**

**IE Name: PCFP\_IE\_NODE\_CAPABILITY**

**IE Format and Encoding Information**

Octets	Bits							
	8	7	6	5	4	3	2	1
1 to 2	Type = 219 (decimal)							
3 to 4	Length = n							
5 to 8	Max Sessions Supported							
9 to (n+4)	These octet(s) is/are present only if explicitly specified							

The Max Sessions Supported value are encoded as an Unsigned32 binary integer value.

Max Sessions supported value is the maximum number of sessions that are supported by User Plane for this association with Control Plane.

**IE Type: 220**

**IE Name: INNER PACKET MARKING**

**IE Format and Encoding Information**

The Inner Packet Marking IE type shall be encoded as shown below. It indicates the DSCP to be used for UL/DL Inner packet marking.

Bits	
Octets	8 7 6 5 4 3 2 1
1 to 2	Type = 220 (decimal)
3 to 4	Length = n
5 to 6	ToS/Traffic Class

The ToS/Traffic Class shall be encoded on two octets as an OctetString. The first octet shall contain the DSCP value in the IPv4 Type-of-Service or the IPv6 Traffic-Class field and the second octet shall contain the ToS/Traffic Class mask field, which shall be set to "0xFC".

**IE Type: 221**

**IE Name: TRANSPORT LEVEL MARKING OPTIONS**

**IE Format and Encoding Information**

TRANSPORT LEVEL MARKING OPTIONS shall be encoded as shown below. It indicates the copy-inner/outer flags for encaps-header marking.

Bits	
Octets	8 7 6 5 4 3 2 1
1 to 2	Type = 221 (decimal)
3 to 4	Length = n
5 to 5	Copy-Inner/Outer Flag

Copy-Inner/Outer flags shall be encoded on 1 Octet.

**IE Type: 223**

**PFCP\_IE\_CHARGING\_PARAMS**

**IE Format and Encoding Information**

Bits
------

Octets	8	7	6	5	4	3	2	1
1 to 2	Type = 223 (decimal)							
3 to 4	Length = n							
5 to 6	Charging Chars							
7	GTPP Group Name length							
8	GTPP Group							
9 to 12	GTPP ContextID							
13	Accounting Policy Name length							
14	Accounting Policy Name							
15 to 18	Accounting Policy Service type							
19 to 22	Diameter Interim Interval							
23	AAA Group Name Length							
24	AAA Group Name							
25 to 28	AAA Group ContextId							
29 to 32	Radius Interim Interval							
33	GY Offline charging							
34	gtpp_dict							

**IE Type: 224**

**IE Name: PFCP\_IE\_GY\_OFFLINE\_CHARGE**

**IE Format and Encoding Information**

	Bits							
Octets	8	7	6	5	4	3	2	1
1 to 2	Type = 224 (decimal)							
3 to 4	Length = n							
5 to 5	Gy Offline Charging Status							

**IE Type: 226**

**PFCP\_IE\_SUB\_PARAMS**

**IE Format and Encoding Information**

	Bits

Octets	8	7	6	5	4	3	2	1
1 to 2	Type = 226 (decimal)							
3 to 4	Length = n							
5 to 8	BitOctet							
9 to 10	Charging Characters							
11 to 11	Rat Type							
12 to 12	MCC MNC Length							
Variable Length	MCC MNC Value							
4 bytes/16 bytes	SGSN Address IPv4/IPV6							
1 byte	ULI Length							
Variable Length	ULI Value							
4 bytes	Congestion Level Value							
1 byte	Customer ID Length							
Variable Length	Customer ID value							
4 bytes/16 bytes	GGSN Address IPv4/IPV6							
1 byte	UserName Length							
Variable Length	UserName Value							
1 byte	Radius String Length							
Variable Length	Radius String Value							
1 byte	Session ID Length							
Variable Length	Session ID Value							
1 byte	MS Timezone Length							
Variable Length	MS Timezone Value							
1 byte	User Agent Length							
Variable Length	User Agent Value							
1 byte	Hash Value Length							

Variable Length	Hash Value
1 byte	Called Station Id Length
Variable Length	Called Station Id Value
1 byte	Calling Station Id Length
Variable Length	Calling Station Id Value
4 bytes	Content Filtering Policy ID
1 byte	Traffic Optimization Policy ID

**IE Type: 227**

**IE Name: PFCP\_IE\_RULE\_NAME**

**IE Format and Encoding Information**

Octets	Bits							
	8	7	6	5	4	3	2	1
1 to 2	Type = 227 (decimal)							
3 to 4	Length = n							
5 to 68	Rule Name							

**IE Type: 228**

**IE Name: LAYER2 MARKING**

**IE Format and Encoding Information**

To pass the L2 Marking information to the UP for the bearer, a new custom-IE is defined and the FAR is modified to include it as follows. It identifies the Layer 2 Marking to be applied for the packets matching this FAR.

The length of the IE could be either 0 or 1.

Bits
------

Octets	8	7	6	5	4	3	2	1
1 to 2	Type = 228 (decimal)							
3 to 4	Length = n							
5 to 5	TYPE (2 Bits) PRIORITY (6 Bits) <b>Type :</b> (1-DSCP, 2-QCI, 3-None) - beginning 2 Bits <b>Priority-Value:</b> the last 6 bits <ul style="list-style-type: none"> <li>• Internal-Priority in case of QCI/None type</li> <li>• DCSP value in case of DSCP type</li> </ul>							

**IE Type: 229**

**IE Name: PCFP\_IE\_MONITOR\_SUBSCRIBER\_INFO**

#### IE Format and Encoding Information

	Bits							
Octets	8	7	6	5	4	3	2	1
1 to 2	Type = 229 (decimal)							
3 to 4	Length = n							
5	Spare		C		D		Action	
d to (d+7)	Data tracing parameters							
p to (p+15)	Protocol tracing parameters							
s to (n+4)	These octet(s) is/are present only if explicitly specified							

Action: STOP / START monitor subscriber tracing. STOP =1, START =2.

D = DATA events tracing is ON if D=1. The 8 octets (d to d+7) contain data events tracing (fastpath) information should be present only when D=1.

C = CONTROL events tracing is ON if C=1.

**Data Tracing (fastpath) Information (8 octets):** It will contain the data filter parameters like Packet capture, Packet capture size, and MEH header.

Octet 1:

- Bit 1 – VPP enable/disable
- Bit 2 – FCAP - Packet capture
- Bit 3 – MEH present
- Bit 4 to 6 - Priority



Octet 2 to 3: Packet size

Octet 4 – 8: Reserved for future use. Currently, all set to 0.

**Protocol Tracing Information (16 octets/128 bits):** The 16 octets (p to p+15) contain protocol tracing information and should be present only when either control flag (C) or data flag (D) is enable. Each bit represents a unique protocol to monitor. E.g. If 49th bit is 1, PFCP events tracing is ON. Protocol Tracing ‘Rulematch Events (Option 34)’, ‘L3 Data (Option 19)’, ‘EDR (Option 77)’ and ‘Subscriber Summary After Call Disconnect’ are controlled by control event flag.

**IE Type: 230**

**IE Name: PFCP\_IE\_MON\_SUB\_REPORT\_SESS\_REP\_REQ**

#### IE Format and Encoding Information

Octets	Bits							
	8	7	6	5	4	3	2	1
1 to 2	Type = 230 (decimal)							
3 to 4	Length = n							
5	Status code							

Status code: It indicates the acceptance or the rejection of the subscriber trace at UP. Status code = 0 will mean a success. Values 1-255 will uniquely specify the specific error code or notification.

**IE Type: 237**

**IE Name: PFCP\_IE\_RATING\_GRP**

#### IE Format and Encoding Information

Octets	Bits							
	8	7	6	5	4	3	2	1
1 to 2	Type = 237 (decimal)							
3 to 4	Length = 2 bytes							
5 to 8	Rating Group							

**IE Type: 238**

**IE Name: PFCP\_IE\_NEXTHOP**

#### IE Format and Encoding Information

Octets	Bits

Octets	8	7	6	5	4	3	2	1
1 to 2	Type = 238 (decimal)							
3 to 4	Length = n							
5 to 10	PFCP_IE_NEXTHOP_ID							
11 to 14	PFCP_IE_NEXTHOP_IP							

**IE Type: 239****IE Name: PFCP\_IE\_NEXTHOP\_ID****IE Format and Encoding Information**

	Bits							
Octets	8	7	6	5	4	3	2	1
1 to 2	Type = 239 (decimal)							
3 to 4	Length = 5							
5								

**IE Type: 240****IE Name: PFCP\_IE\_NEXTHOP\_IP****IE Format and Encoding Information**

	Bits							
Octets	8	7	6	5	4	3	2	1
1 to 2	Type = 240 (decimal)							
3 to 4	Length = n							
5	Spare				V4		V6	
m to (m+3)	IPv4 Address							
p to (p+15)	IPv6 Address							

**IE Type: 241****PFCP\_IE\_QGR\_INFO****IE Format and Encoding Information**

	Bits

Octets	8	7	6	5	4	3	2	1
1 to 2	Type = 241 (decimal)							
3 to 4	Length = n							
5 to 6	Number of QGR							
7 to 7	QGR 1 information stats - Bit Octet							
8 to 8	QGR Operation(Add/Modify/Remove)							
9 to 12	QGR Priority							
13 to 13	QGR Name Length							
14 to n	QGR Name							
n+1 to n+4	FAR ID							
n+5 to n+8	QER ID							
n+8 to n+11	URR ID							
Same as 7 to n+11	Next QGR(if any) information stats							

**IE Type: 242**

**IE Name: PFCP\_IE\_UE\_IP\_VRF**

**IE Format and Encoding Information**

Octets	Bits							
	8	7	6	5	4	3	2	1
1 to 2	Type = 242 (decimal)							
3 to 4	Length = n							
5	Spare		Identical VRF flag		IPv6 VRF Valid		IPv4 VRF Valid	
m to (m+1)	VRF-1 Name Length = p							
Variable Length	VRF-1 Name							
n to n+1	VRF-2 Name Length = q							
Variable Length	VRF-2 Name							

**IE Type: 246****IE Name: PFCP\_IE\_GX\_ALIAS****IE Format and Encoding Information**

The IE to communicate a Gx-Alias GoR(Group-of-Ruledef) name, Start and End PDR IDs and also the operation to perform, from CP to UP during Sx Session Establishment/Modification Request message. There can be multiple instances of same IE in an Sx-message.

Octets	Bits							
	8	7	6	5	4	3	2	1
1 to 2	Type = 246 (decimal)							
3 to 4	Length n [Min=7, Max=69 {5+ACSCTRL_GRP_OF_RDEFS_NAMELEN (64)}]							
5	flags (Add/delete GoR Rules),for eg: 1 for Add, 0 Delete rules in GoR							
6 to 7	Start PDR ID							
8 to 9	End PDR ID							
10 to n+4	Gx-alias GoR name (min size=2, max size=64)							