



Roaming Support

- [Feature Summary and Revision History, on page 1](#)
- [Feature Description, on page 2](#)
- [Local Breakout Roaming Support, on page 2](#)
- [Home Routed Roaming Support, on page 10](#)
- [Troubleshooting Information, on page 43](#)

Feature Summary and Revision History

Summary Data

Applicable Product(s) or Functional Area	SMF
Applicable Platform(s)	SMI
Feature Default Setting	Enabled – Always-on
Related Changes in this Release	Not Applicable
Related Documentation	Not Applicable

Revision History

Table 1: Revision History

Revision Details	Release
The following enhancements were introduced: <ul style="list-style-type: none">• Home Routed (HR) Roaming Support• Security Edge Protection Proxy (SEPP) Support• Handover Support in HR Roaming	2021.02.3
First introduced.	2021.01.0

Feature Description

This chapter provides an overview of the roaming features that are supported on SMF. Mobile network operators form roaming partnerships to provide seamless services to subscribers in geographies beyond network reach. PLMN designates the operator network boundaries. hPLMN denotes the home network of subscribers. vPLMN denotes the visited network from where the services are rendered.

Roaming support for SMF can be classified as follows:

- LBO (local breakout) roaming – vPLMN locally provides packet core services and access to data network.
- HR (home routed) roaming – vPLMN provides packet core services and hPLMN provides access to data network.

Local Breakout Roaming Support

Feature Description



Important The PGW-C term used in this chapter denote the EPS interworking functionality supported by SMF and must not be assumed as a standalone P-GW that is used in the LTE network.

vPLMN provides packet core services and access to data network. This feature enables the SMF to support the flavour of routing that is termed as the local breakout (LBO) roaming.

This feature provides the following functionalities:

- Roaming for 5G sessions connected via NR
- Roaming for 4G and Wi-Fi sessions connected via E-UTRAN
- LI support
- Deployment model without SEPP

For more details on the serving PLMN, see [Multiple PLMN Support](#) chapter.

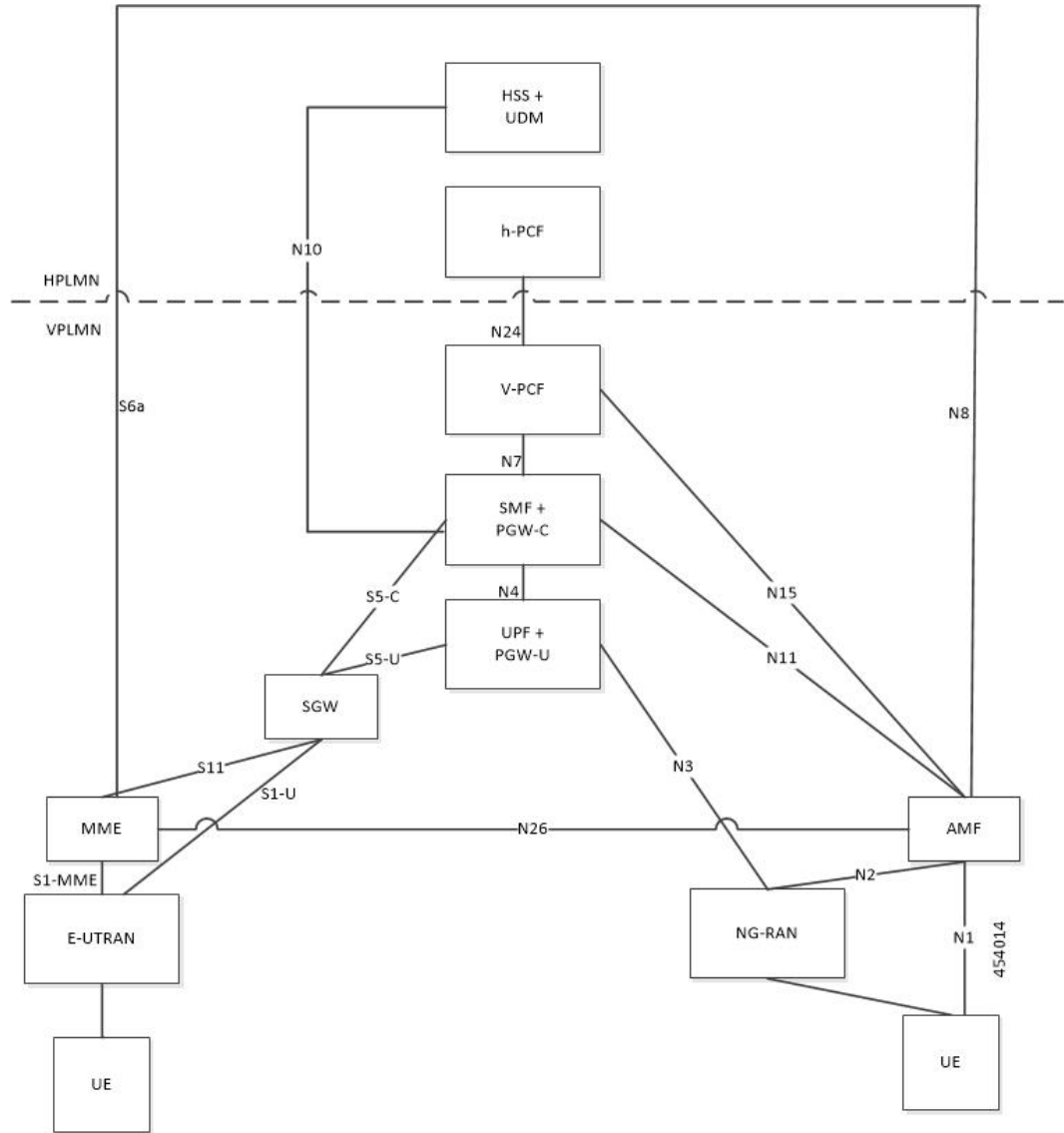
Architecture

This section describes the architecture for the LBO roaming feature.

EPC LBO Scenario

The following diagram shows the LBO roaming architecture for the 4G sessions connected to the SMF and PGW-C in EPC.

Figure 1: Local Breakout Roaming Architecture for 4G Sessions

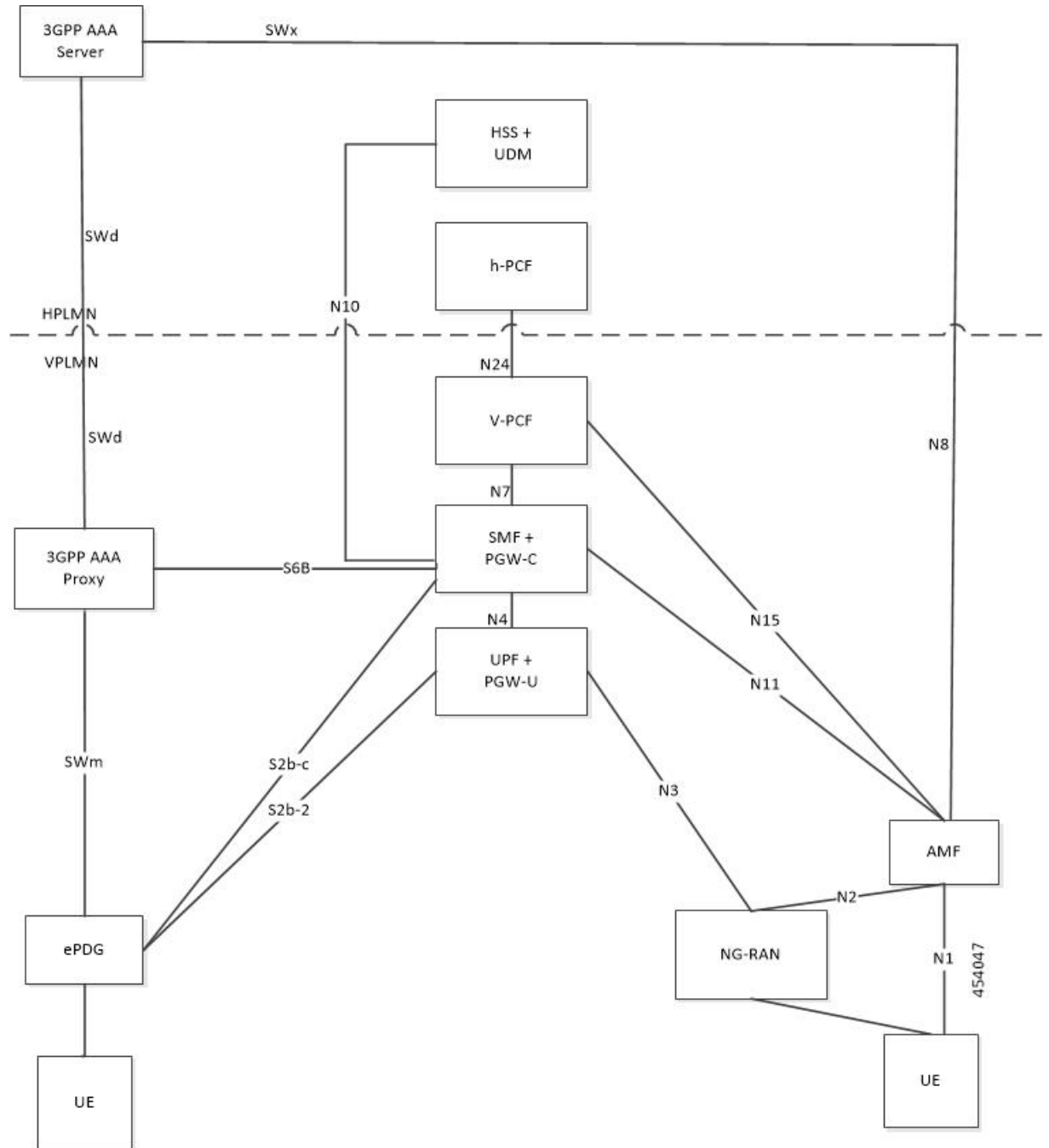


During LBO roaming for 4G sessions, the SGW and the SMF with PGW-C both reside in VPLMN. The SGW and SMF exchange messages through S5-C interface. All northbound SBI interfaces are common for 4G and 5G. The SMF interacts with vPCF, vCHF, and UDM.

ePDG LBO Scenario

The following diagram shows the LBO roaming architecture for the Wi-Fi sessions connected to the SMF and PGW-C in EPC.

Figure 2: Local Breakout Roaming Architecture for Wi-Fi Sessions

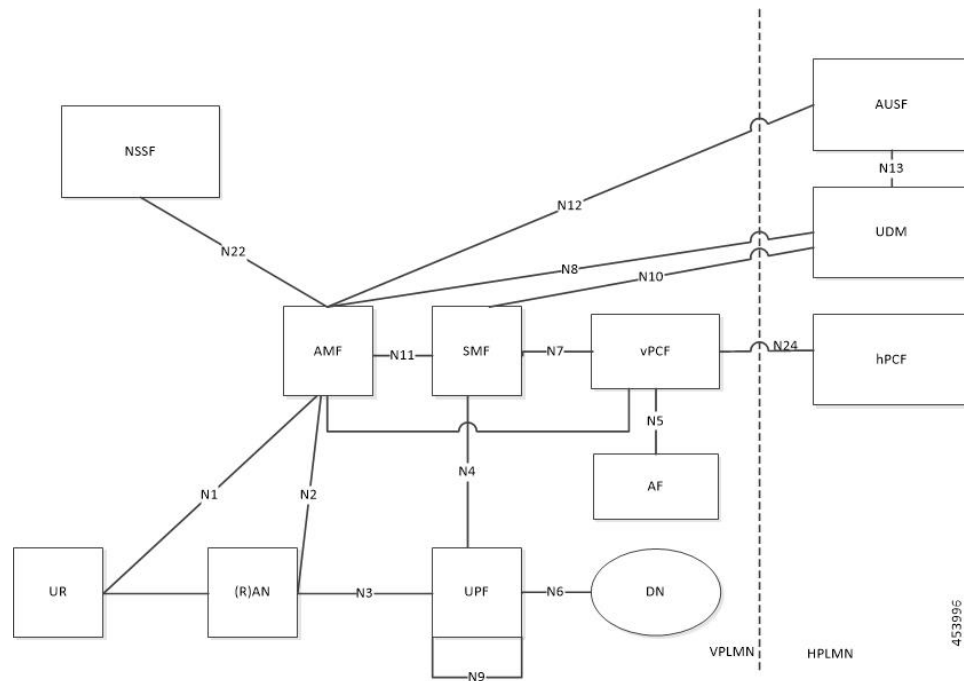


SMF resides in VPLMN and interacts with vPCF, vCHF, and UDM. SMF doesn't support S6b toward the 3GPP AAA server, but uses the N10 interface.

5G NR LBO Scenario

The following diagram shows the LBO roaming architecture for the 5G sessions connected through NR.

Figure 3: LBO Roaming Architecture for 5G Sessions



As shown in the preceding diagram, the SMF resides in the VPLMN. Only AUSF and UDM are the NFs in the HPLMN. The PCF in the VPLMN communicates with PCF in the HPLMN over N24 interface. The PCFs communicate with each other to get the policies related to the subscriber session and pass them to SMF.

SMF Functionalities During LBO

The SMF supports the following functionalities related to LBO for in-roamers.

- Detection of in-roamers based on local configuration and MCC and MNC in the SUPI received
- N11
 - Determination of LBO for the in-roamers
 - If the SMF receives the session setup request for a visitor without the support for LBO, then the SMF sends an error to the AMF. Then, the AMF reattempts the session setup with the SMF that supports Home Routed (HR) roaming.
 - Support of PCF ID that is vPCF from the AMF
- N2
 - The SMF provides Single Network Slice Selection Assistance Information (S-NSSAI) of VPLMN in the N2 SM Information.
- N7
 - Selection of PCF in VPLMN
 - vPCF interacts with AF in HPLMN for PCC rule generation (for example, IMS). However, PCC rules are generated using roaming policies and the subscribed policies in HPLMN are inaccessible

by vPCF. Also, vPCF doesn't interact with CHF for spending limits. The PCC rules in LBO have limited capabilities.

- N40
 - Selection of CHF in VPLMN. vSMF considers additional parameters of the HPLMN ID that CHF has to service the roamer status (in-roamer) of the UE.
- N10
 - Selection of UDM in HPLMN
- NRF
 - The SMF uses the **chf-supported-plmn** query parameter while discovering the vCHF servicing HPLMN.
 - During EPS procedures, if the SMF supports more than one S-NSSAI and the APN is valid for more than one S-NSSAI, then it performs the `Nnssf_NSSSelection_Get` service operation. This operation is in effect before the SMF provides an S-NSSAI to the UE. This operation helps to retrieve the mapping of the subscribed S-NSSAIs to the serving PLMN S-NSSAI values.
- Emergency services on SMF are supported only in LBO model. For LBO roaming, the SMF does not register with UDM for an emergency session.

For emergency calls, the SMF ignores the UE PLMN ID and relays the serving PLMN ID across all the interfaces.

Network Slicing

The SMF supports the following functionalities related to network slicing:

- The SMF can be configured with a list of allowed NSSAI.
- When the SMF acts as a vSMF during roaming, the S-NSSAI of the UE used in the VPLMN must be the value that is configured on the SMF.
- In the case of LBO, the SMF performs mapping of S-NSSAI received from UDM to the NSSAI of HPLMN received during PDU connection setup. The received NSSAI must be configured on vSMF as the supported NSSAI.

Node Selection Considerations

The following criteria are applied for selecting the nodes in the LBO roaming:

- When roaming is enabled, each SMF registers the inter-PLMN FQDN value with the NRF. This operation helps the AMF to select the hSMF in a different PLMN.
- The SMF treats **target-plmn-list** and **requester-plmn-list** as the query parameters.
- The NRF in the serving PLMN handles all the discovery requests from the NFs.

PDU Establishment During LBO

The following conditions are considered for PDU session establishment in LBO roaming case:

- If the SMF receives the session setup request for a visitor without support for LBO, then the SMF sends SM Context Create error to the AMF with the cause HOME_ROUTED_ROAMING_REQUIRED. Then, the AMF reattempts the session setup with the SMF that supports Home Routed (HR) roaming. An example scenario is when the NAS PDU Session Establishment Request has requested SSC mode as 3 and the allowed SSC mode in vSMF does not support the SSC mode 3.
- The SMF receives both HPLMN S-NSSAI and S-NSSAI. The SMF uses S-NSSAI to validate NSSAI against the vSMF supported NSSAI.
- On N40 interface:
 - vSMF sends the roamerInOut attribute to CHF through the CDR message. The roamerInOut attribute includes PDUSessionChargingInformation and userInformation. This attribute value is either IN_BOUND for in-roamers or OUT_BOUND for out-roamers.
 - vSMF sends the PDUSessionInformation and chargingCharacteristicsSelectionMode IE with appropriate value (HOME_DEFAULT, ROAMING_DEFAULT, and VISITING_DEFAULT) for non-roaming and roaming cases.
 - The hPlmnId and servingCNPlmnId fields in the PDUSessionInformation IE carry the value as per the roaming status of the UE.
- During N1N2 Message Transfer, the S-NSSAI provided in N2 content should be the same as the VPLMN S-NSSAI.
- For LBO roaming scenario, the PDU Session Establishment Accept message includes the S-NSSAI from the allowed NSSAI for the VPLMN. It also includes the corresponding S-NSSAI of the HPLMN from the mapping of allowed NSSAI that the SMF received from AMF.
- The SMF uses HPLMN for UDM discovery during LBO roaming.

PDN Establishment During LBO

The S-GW sends Serving Network IE to the PGW-C with the PLMN ID where the S-GW belongs. The SMF uses that PLMN as VPLMN for validation, node selection, and passing on the VPLMN to other north bound interfaces.

The N40 interface related requirements and the emergency session-related requirements applicable for 5G session creation, also apply for the 4G and Wi-Fi sessions.

PLMN Usage

The following table shows an example of how the PLMN values configured in SMF service profile are relayed across all the interfaces.

Interface	Attribute	Homer	In-roamer (LBO)	Out-roamer (HR)	In-roamer (HR)
	UE PLMN	310-240	262-06	310-310	302-610
NRF	plmn-list in nrf Discover to discover UDM (queryParam = target-plmn)	UE PLMN	UE PLMN	UE PLMN	Not applicable

Interface	Attribute	Home	In-roamer (LBO)	Out-roamer (HR)	In-roamer (HR)
NRF	plmn-list in nrfDiscover to discover PCFCH (QueryParam = target-plmn)	UE PLMN	Serving PLMN	UE PLMN	Serving PLMN
N10	PLMN in smfRegistration IE in N10 registration	Serving PLMN	Serving PLMN	Primary home PLMN	Not applicable
N10	PLMN in GET subscription URI	Serving PLMN	Serving PLMN	Primary home PLMN	Not applicable
N10	PLMN in sdmSubscription IE in N10 subscribe ToNotification	Serving PLMN	Serving PLMN	Primary home PLMN	Not applicable
N40	PLMN in NfConsumer identification IE in N40 charging data request	Primary home PLMN	Primary home PLMN	Primary home PLMN	Primary home PLMN
N40	hPlmnId in PDU Session Information IE in pduSession Charging Information in chargingData Request	UE PLMN	UE PLMN	UE PLMN	UE PLMN
N40	Serving PLMN in PDU Session Information IE in pduSession Charging Information in chargingData Request	Serving PLMN	Serving PLMN	Primary home PLMN	Serving PLMN

Interface	Attribute	Homer	In-roamer (LBO)	Out-roamer (HR)	In-roamer (HR)
N7	PLMN in PCF notify for AC_TY_CH/SAREA_CH/RAT_TY_CH trigger	Serving PLMN	Serving PLMN	Primary home PLMN	Not applicable
N7	PLMN in create request to PCF	Serving PLMN	Serving PLMN	Primary home PLMN	Not applicable
RADIUS	PLMN in 3GPP UE location IE RADIUS authentication	Serving PLMN	Serving plmn	Not applicable	
RADIUS	PLMN in 3GPP GGSN MCC MNC in RADIUS authentication	Primary home PLMN	Primary home PLMN	Not applicable	
N4	PLMN in X-header of N4 requests	Serving PLMN	Serving PLMN	Primary home PLMN	Not applicable

Roaming Status Determination

The SMF extracts the UE PLMN from SUPI. The SMF compares the UE PLMN and the serving PLMN with the configured PLMN list. The SMF determines the roaming status of subscribers based on the HPLMN values.

If the UE PLMN and the serving PLMN both belong to the PLMN list configured in SMF, then it is a home subscriber. If the UE PLMN does not belong to the configured PLMN list and the serving PLMN belongs to the configured PLMN list, then it is a visitor. If the UE PLMN belongs to the configured PLMN list and the serving PLMN does not belong to the configured PLMN list, then it is a roamer.

Handover Scenarios

Once the roaming status is determined, there will be no change to the status even if the configuration of PLMN values changes after the handover (HO).

Local Policies

In HO scenarios, vSMF supports local policy to enable vPLMN operators to override the signaled parameter from hPLMN domain as per the roaming agreements. The SMF uses the local policies to—

- allow always-on session requests.
- perform paging policy differentiation

- allow PDU session setup in HR or LBO mode
- support subscriber QoS as per the roaming agreement
- allow ARP priority levels 1-8 for HO roaming sessions.

Other Procedures

Paging Policy Differentiation (PPD)

The SMF needs a configuration per PLMN to allow different PPD profiles for different roaming partners. The vSMF picks the appropriate configuration for the HPLMN and applies the same for the roaming session.

PCF and UDM Selection

During roaming, the AMF selects both vPCF and hPCF and sends the vPCF ID and hPCF ID to the SMF and vPCF respectively during policy association. The SMF selects the PCF using the received vPCF ID. During AMF relocation, target AMF selects a new vPCF and hPCF. The SMF receives a redirection indication with PCF ID from the existing PCF for the PDU session. The SMF terminates the current SM Policy Control association and reselects a PCF based on the received PCF ID. The SMF then establishes an SM Policy Control association with the reselected PCF.

For selection of PCF and UDM based on local configuration, the locally configured addresses map to the VPLMN and HPLMN respectively since the PCF is in VPLMN and the UDM is in HPLMN for roaming with LBO case.

For NRF-based discovery of PCF and UDM, the query criteria includes VPLMN for PCF discovery and HPLMN for UDM discovery. The AMF sends the UDM group ID to enable the SMF to select UDM. The S-NSSAI used by SMF to select PCF should be the VPLMN S-NSSAI received from AMF.

Lawful Interception

During roaming scenario, the SMF uses S-NSSAI of the VPLMN to generate IRI events. The S-NSSAI information is sent to the mediation device through the IRI event message.

Home Routed Roaming Support

Feature Description

The VPLMN provides access network services and packet routing to the packet core, whereas the HPLMN provides data network access to the subscriber. This feature enables the SMF to support the flavour of routing that is termed as the Home Routed (HR) roaming.

This feature provides the following functionalities:

- Support home routed roaming traffic for 5G sessions connected through NR.
- Support QoS flow Based Charging (QBC) on the UPF.

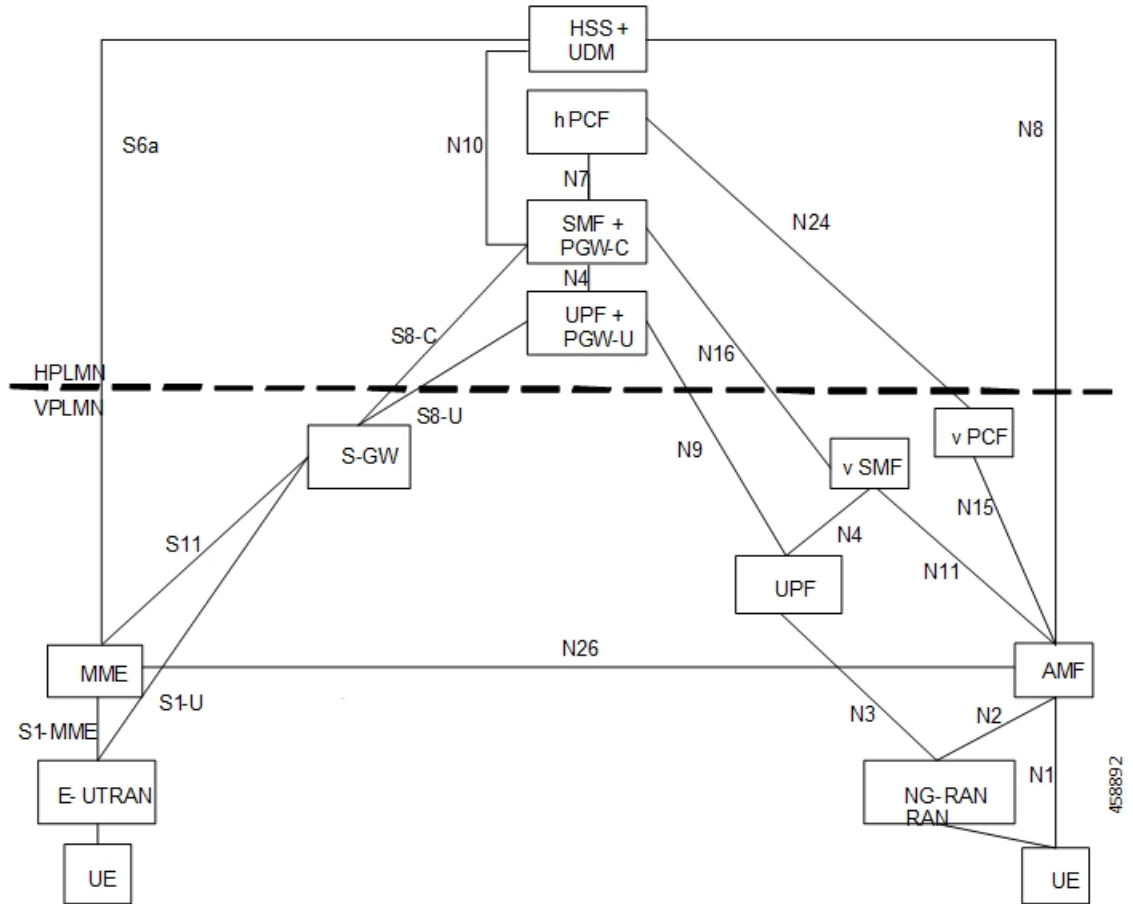
Architecture

This section describes the architecture for the HR roaming support feature.

EPC HR Roaming Scenario

The following diagram shows the architecture for an EPC HR roaming scenario.

Figure 4: EPC HR Roaming Architecture



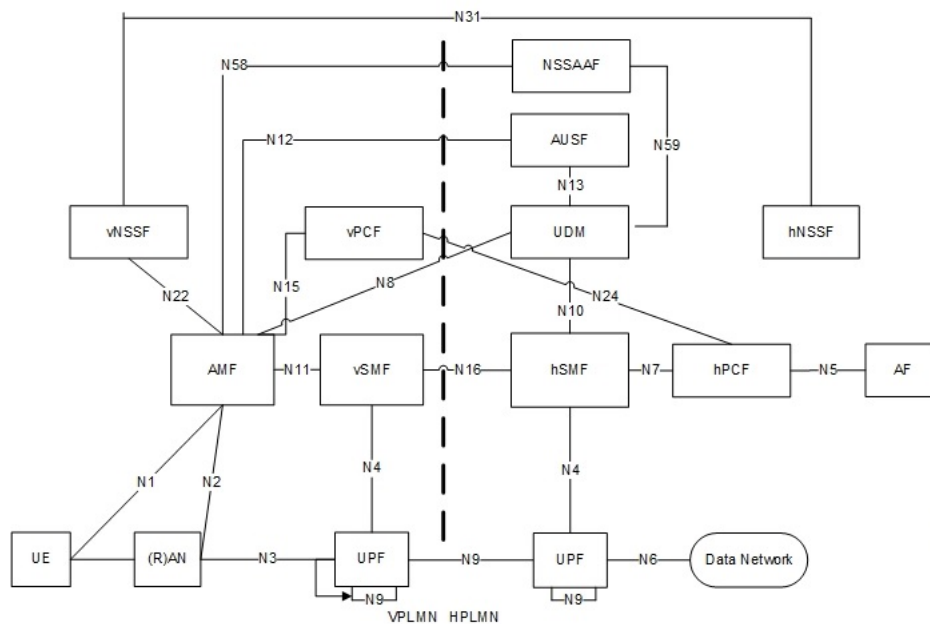
The 3GPP reference point for nodes in the VPLMN and HPLMN in an EPC HR roaming scenario, are as follows:

- SMF+IWK resides in the HPLMN.
- SMF-IWK interacts with the hPCF, hCHF and UDM.
- SMF-IWK supports S8-C with the S-GW (in VPLMN).
- vSMF interacts with the vCHF.

5G NR HR Roaming Scenario

The following diagram shows the architecture for a 5G NR HR roaming scenario.

Figure 5: 5G NR HR Roaming Architecture



The 3GPP reference point for nodes in the VPLMN and HPLMN in a 5G NR HR roaming scenario, are as follows:

- SMF resides in both the VPLMN and HPLMN.
- vSMF and hSMF support the N16 interface.
- hSMF interacts with UDM, h-PCF and h-CHF.
- vSMF interacts with the vCHF.
- When SEPP appears in the network, vSMF communicates to cSEPP for hSMF messaging.
- When SCP appears in the home network, hSMF communicates to SCP for UDM, hPCF and hCHF messaging.

vSMF

The SMF supports the following functionalities related to HR roaming for visitors:

- N1
 - The NAS SM information is of two parts, one is visible to vSMF (for example, PDU session type, Session AMBR, UE address). The other one that is not visible to vSMF (for example, SSC Mode, PCO, QoS rules, and so on), which it transparently relays to the hSMF.
 - The vSMF transfers the NAS signalling messages information, which is not visible to the vSMF, in a container toward the hSMF.
 - The vSMF transfers the NAS signalling messages information, which it does not comprehends, these are unknown IEs or IEs with an unknown value not set to "reserved" according to the release to which the vSMF complies, in a different container toward the hSMF.

- The vSMF appends unknown NAS signalling messages information received in the N16 container at the end of the NAS signalling message it sends to the UE.
- N40
 - Assignment and transfer of Charging ID of VPLMN to the hSMF.
 - Negotiation of roaming charging profile.
 - When NRF is used, the vCHF is selected based on the UE identified as an in-bound roamer and the PLMN id of the HPLMN.
- N4
 - V-CN-Tunnel lifecycle management.
- N16
 - Support for the N16 interface (between vSMF and hSMF).
 - Support for Always-on PDU Session Granted indication.
- EPS interworking procedures for home routed roaming, are as follows:
 - Caching of EPS bearer IDs and mapped QoS parameters received in hSMF. AMF retrieves the PDN contexts from the vSMF during the 5G to 4G handover. Also, the vSMF supports the release PDN context and not the forward to hSMF context.
 - During the 4G to 5G handover.
 - Support for indirect data forwarding tunnels.
- Does not interact with PCF or UDM.

hSMF

The SMF supports the following functionalities related to HR roaming for roamers:

- N1
 - The entire NAS SM information must be interpreted by the hSMF.
 - The hSMF transfers NAS SM information which the vSMF does not need to interpret in one container toward the vSMF.
- N10
 - Registers with UDM with the S-NSSAI value defined in the HPLMN.
- N4
 - User-plane inactivity detection is not performed during roaming (does not provide inactivity timer to hUPF).
 - H-CN-tunnel lifecycle management.
- N40

- Negotiation of “roaming charging profile.
- Generate a "home provided charging identifier"
- When the NRF is used, the hCHF is selected based on a UE identified as an out-bound roamer and the PLMN ID of the VPLMN.
- N7
 - N7 interaction for the hSMF is similar to the non-roaming case.
- N16
 - Support for the N16 interface (between vSMF and hSMF).
- If the UE uses IPv6, IPv4v6, it generates router advertisements Secondary authorization or authentication.

Network Slicing

The SMF supports the following functionalities related to network slicing:

- The SMF can be configured with a list of allowed NSSAI.
- When the SMF acts as a vSMF during roaming, the S-NSSAI sent by the UE used in the VPLMN must be the value that is configured on the SMF.
- In HR, the vSMF sends the PDU Session Establishment Request message to the hSMF along with NSSAI valued used in HPLMN.

Node Selection Considerations

The following criteria are applied for selecting the nodes in the HR roaming:

- When roaming is enabled, each SMF registers the interPlmnFqdn value with the NRF. This helps the AMF to select the hSMF in a different PLMN.
- The SMF supports **target-plmn-list** and **requester-plmn-list** query parameters.
- The NRF in the serving PLMN handles all the discovery requests from the NFs.

Lawful Intercept

The SMF provides the IRI-POI functions in the following network topology cases:

- Non-roaming case.
- Roaming case, in VPLMN.
- Roaming case, in HPLMN.

The SMF generates the following IRI events during the roaming scenarios:

- PDU session establishment
- PDU session modification
- PDU session release

- Start of interception with an established PDU session

Session Management

With roaming considerations, the SMF sessions are categorized into the following flavors:

- Non-roaming
- LBO
- vSMF-HO
- hSMF-HO

How it Works

This section provides details about the session create, release, modify procedures, and the different call handover scenarios for both vSMF and hSMF.

vSMF Create Session Procedure

This section provides details about the create session procedure for vSMF.

Figure 6: vSMF Create Session Call Flow

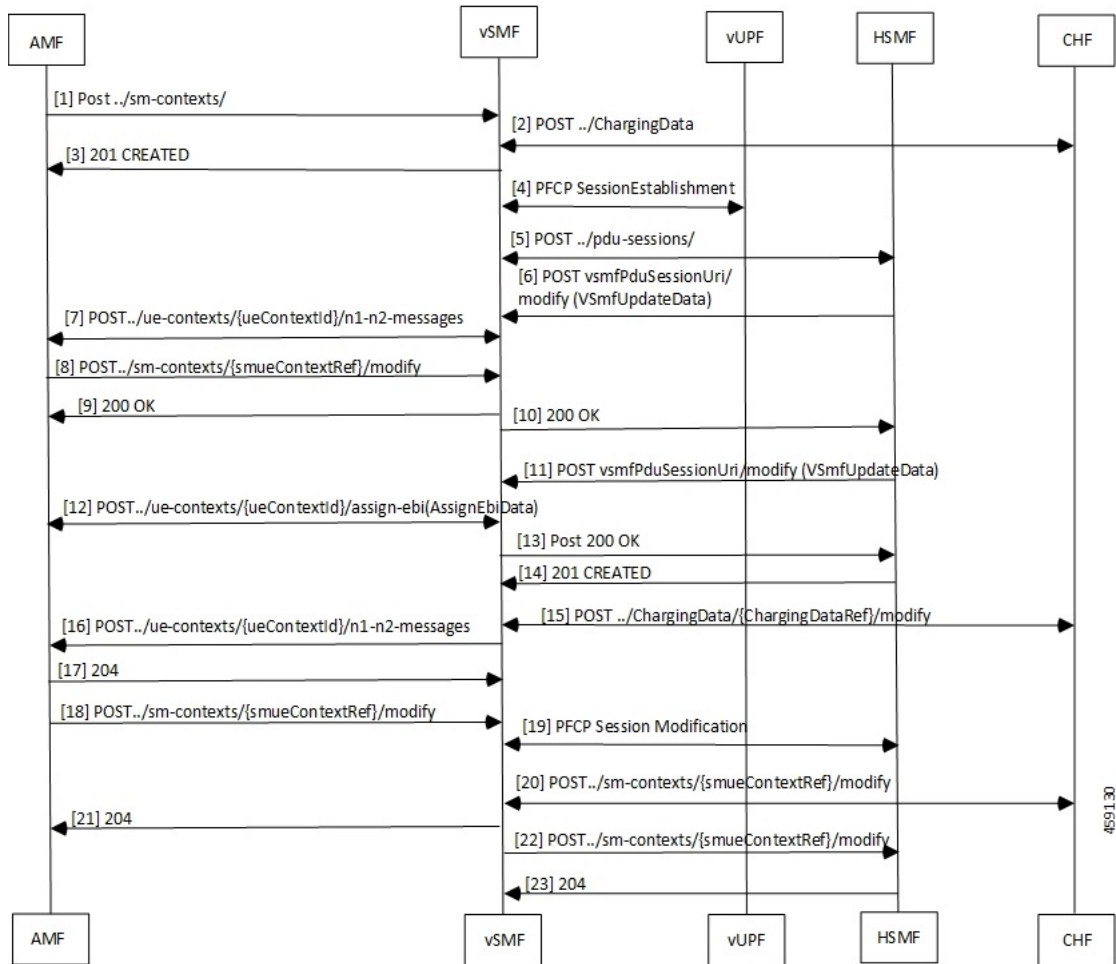


Table 2: vSMF Create Session Call Flow Description

Step	Description
1	The AMF receives a request from a UE. Based on the local configuration, the AMF locates a vSMF and a list of possible hSMFs to handle the UE request. It creates a CreateSmContext request, and POSTs the message to the vSMF. In the vSMF, based on the presence of an hSMF URI that is not its own, and the SUPI policy configuration of , the vSMF creates a PDU Context for valid UE requests.
2	The vSMF locates and creates a charging association with the appropriate CHF.
3	The vSMF responds to the AMF request with a reference to the created PDU Session.
4	The vSMF sends a PFCP Session Creation request to the vUPF. The vUPF responds with the CN tunnel Information of the created tunnel.

Step	Description
5	<p>The vSMF creates a PDU Session Create Request to send to the hSMF. The CN tunnel information of the vUPF is an IE that is sent to the hSMF. Most of the request parameters from the AMF are copied on to the request to the hSMF. The following parameters from the N1 Message are removed from the request before it's sent to the hSMF:</p> <ul style="list-style-type: none"> • Always-On Indication - If the UE requested an Always-On PDU session, and by policy the vSMF is ready to provide this service, this indication is set in the PDU Session Create request. • Any IE that is not identified by the vSMF is stripped off from the message and sent in a different payload to the hSMF. <p>The UE request from the vSMF to the hSMF is sent asynchronously. This method enables the hSMF to start the EBI assignment procedures through the vSMF when it's processing the create request from the VSMF.</p>
6	If a secondary authentication is required, the hSMF uses the callback URI for the vSMF session and the modify method to send an authentication request payload for the UE.
7	The vSMF sends this message to the AMF, and the AMF responds to the vSMF.
8	The UE responds to the authentication request, which is conveyed by the AMF to the vSMF.
9	The vSMF sends the update to the hSMF.
10	The vSMF responds to the AMF for the Modify Request.
11	If this session can be moved to EPC, the hSMF starts the EBI allocation procedure by invoking the modify method on the vSMF callback URI.
12	The vSMF invokes the assign-ebi method on the AMF, and the AMF sends back the assigned EPS bearer ID to the vSMF.
13	The vSMF responds to the hSMF.
14	If the request is acceptable to the hSMF, it responds with a 201 Created response which includes the subscription information required for the setup of the PDU session in the GNB. The response also contains an N1 payload.
15	The SMF updates the CHF with the parameters from the response from hSMF, including the charging profile setup by the hSMF.
16	<p>The vSMF creates an N1N2MessageTransferRequest to the AMF.</p> <ul style="list-style-type: none"> • The N2 payload is created by the using the parameters that are sent in the PDU Session Created Data, and the CN tunnel information from the vUPF. • The N1 payload is created by using the binary payload from the hSMF. The always-on indicator is set based on the value that is received in the PDU Session Created Data.
17	The AMF responds to the N1N2MessageTransfer Request.
18	The GNB responds with an N2 response to the ERAB RESOURCE SETUP REQUEST to the AMF, which the AMF sends in an SmContext Update message to the vSMF.

Step	Description
19	The vSMF requests the vUPF to update the tunnel information of the GNB, the tunnel and other information sent by the hSMF in step 6. The vUPF responds to the vSMF.
20	If required, the vSMF updates the CHF with any additional information.
21	The vSMF responds to the Update request from the AMF.
22	If there are any flows that have failed to setup, the vSMF notifies the hSMF accordingly.
23	The hSMF responds to the vSMF.

hSMF Create Session Procedure

This section provides details about the create session procedure for hSMF.

Figure 7: hSMF Create Session Call Flow

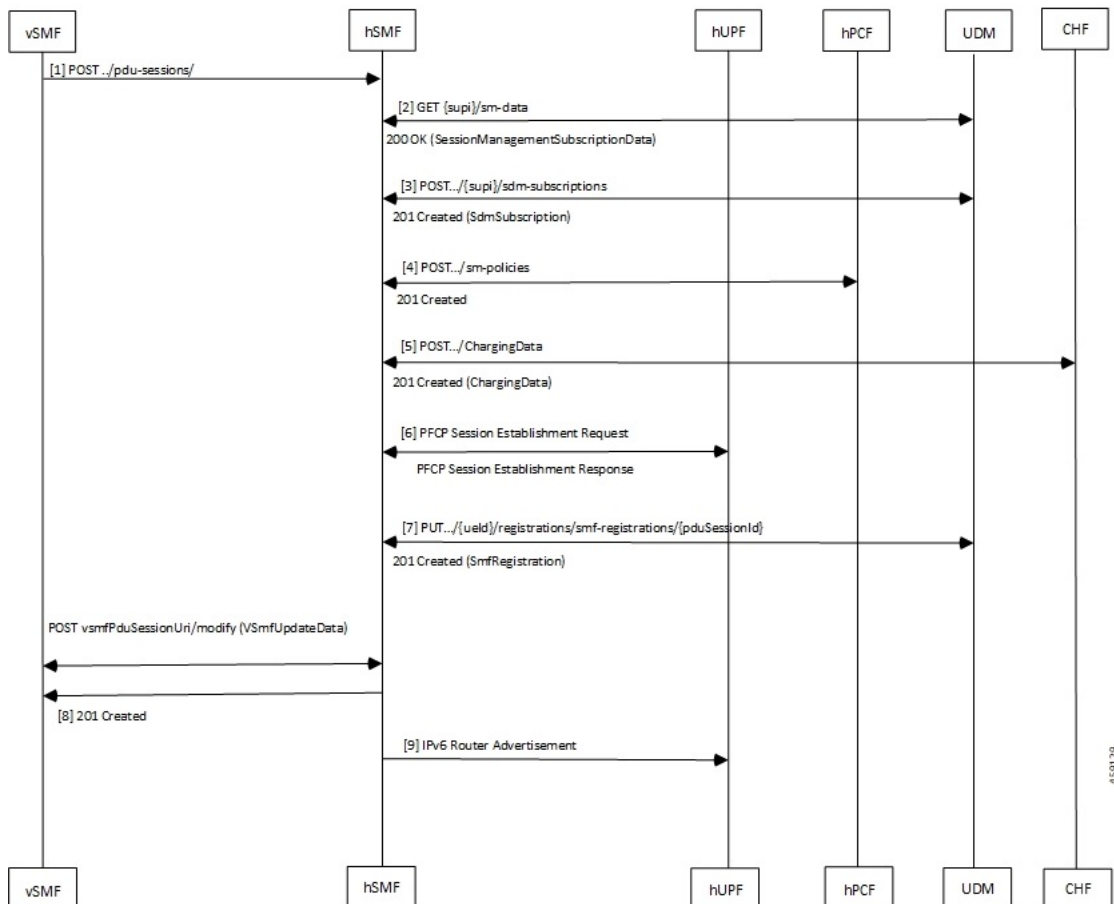


Table 3: hSMF Create Session Call Flow Description

Step	Description
1	The hSMF receives a request to create a PDU Session from the vSMF. The request has a JSON part and also a binary part, which has the list of IEs that the vSMF did not process, or could not process.
2	The hSMF retrieves the subscription data for the UE from the UDM.
3	If based on the subscription data, the session can be established, then the SMF subscribes to changes for the subscription data to the UDM.
4	The hSMF creates a policy association with the PCF. The PCF can either be one that has been selected by the AMF and signaled to the hSMF, or an NRF based or policy based selection on the hSMF.
5	A Charging Data association is created with the CHF.
6	Using the CN tunnel information provided by the vSMF in step 1, the hSMF creates CN tunnels on the hUPF. The hUPF responds with the CN tunnel information on the hUPF.
7	The hSMF registers with the UDM for any notifications for the UE in this DNN.
8	The hSMF responds to the request from the vSMF, with the CN tunnel information of the hUPF, and N1 information elements that need to be sent to the UE. If the UE has requested always-on session, and this is acceptable to the hSMF, then it's indicated to the vSMF in the response.
9	If IPV6 router advertisements are required to be transmitted, then the hSMF requests the UPF to perform that task.

vSMF Modify Session Procedure

This section provides details about the modify session procedure for vSMF.

Figure 8: vSMF Modify Session Call Flow

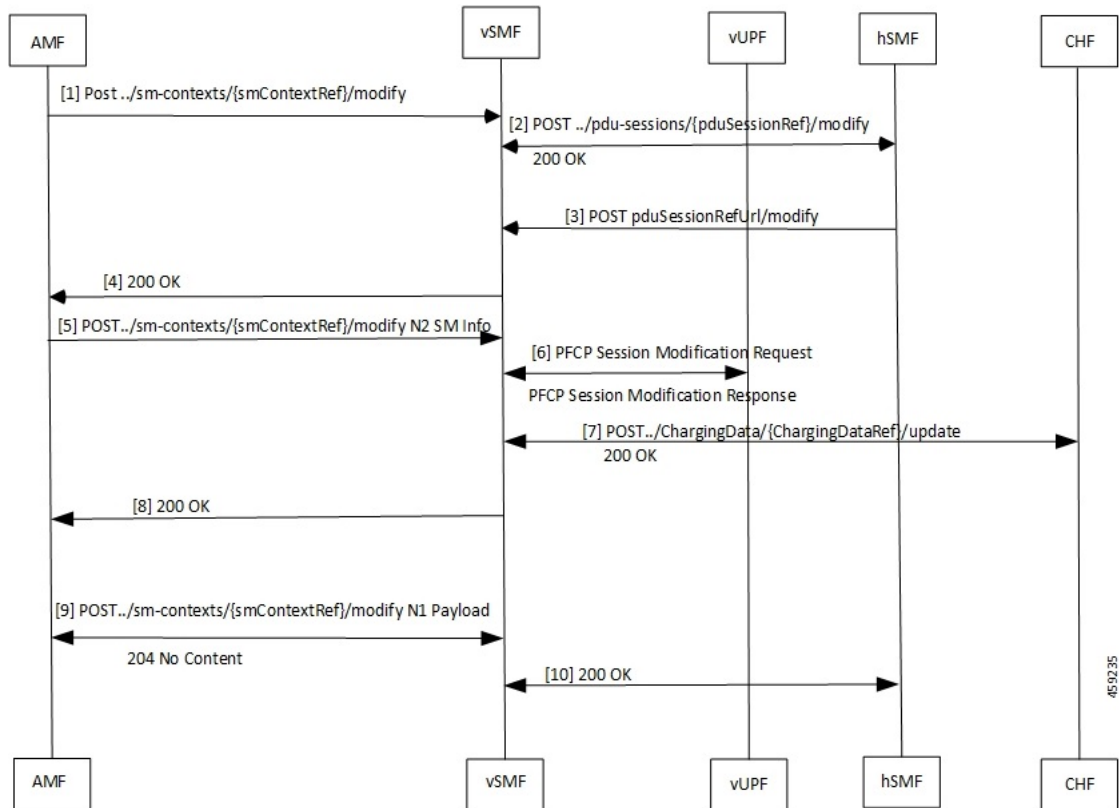


Table 4: vSMF Modify Session Call Flow Description

Step	Description
1	The AMF sends the request from the UE as an Sm Context Update message to the vSMF.
2	The vSMF uses the reference that the hSMF returned during creation of the message. It posts the relevant parts of the message to the hSMF. The hSMF responds to the message.
3	The hSMF sends an update request to the vSMF. This message contains the N1 and N2 messages that is sent to the gNB or UE as a part of the request message.
4	The vSMF combines the information from the hSMF and creates the N1 and N2 payloads for the UE and gNB. It then adds these to the response for the original request from the AMF.
5	The AMF relays the N2 response to the gNB.
6	If there are changes to the UPF due to the modification requested by the UE and accepted by the network, for example, addition or deletion of flows, the vSMF updates the UPF with these changes.
7	The vSMF notifies the CHF of any charging triggers for the changes applied to the UPF.
8	The vSMF acknowledges the N2 message from the AMF with a 200 OK message.

Step	Description
9	The AMF transfers the N1 payload from the UE and the vSMF acknowledges it.
10	The vSMF responds to the request from the hSMF for session modification.

hSMF Modify Session Procedure

This section provides details about the modify session procedure for hSMF.

Figure 9: hSMF Modify Session Call Flow

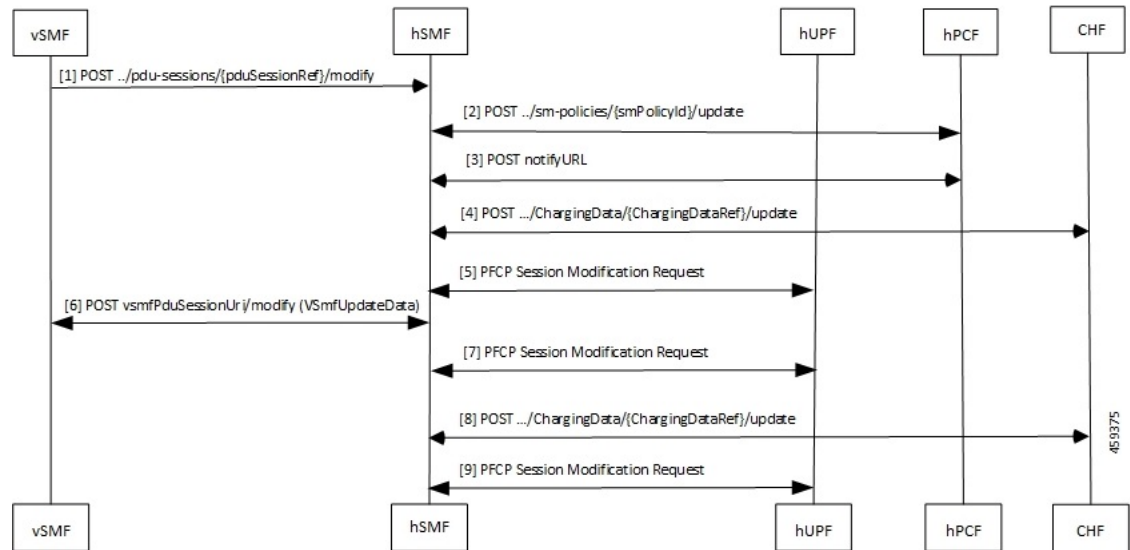


Table 5: hSMF Modify Session Call Flow Description

Step	Description
1	The UE request reaches the hSMF from the vSMF.
2	If any hPCF trigger criteria is met, the hSMF sends an update request to the hPCF.
3	The hSMF responds to the UE request and handles any exceptions.
4	The vSMF notifies the CHF of any charging triggers for the changes applied to the UPF.
5	If there are changes to the UPF due to the modification requested by the UE and accepted by the network, for example, addition or deletion of flows, the vSMF updates the UPF with these changes.
6	The UE request to update the PDU session reaches the hSMF from the vSMF..
7	If there are changes to the UPF due to the modification requested by the UE and accepted by the network, for example, addition or deletion of flows, the vSMF updates the UPF with these changes.
8	The vSMF notifies and updates the CHF of any charging triggers for the changes applied to the UPF.

Step	Description
9	If there are changes to the UPF due to the modification requested by the UE and accepted by the network, for example, addition or deletion of flows, the vSMF updates the UPF with these changes.

vSMF Release Session Procedure

This section provides details about the release session procedure for vSMF.

Figure 10: vSMF Release Session Call Flow

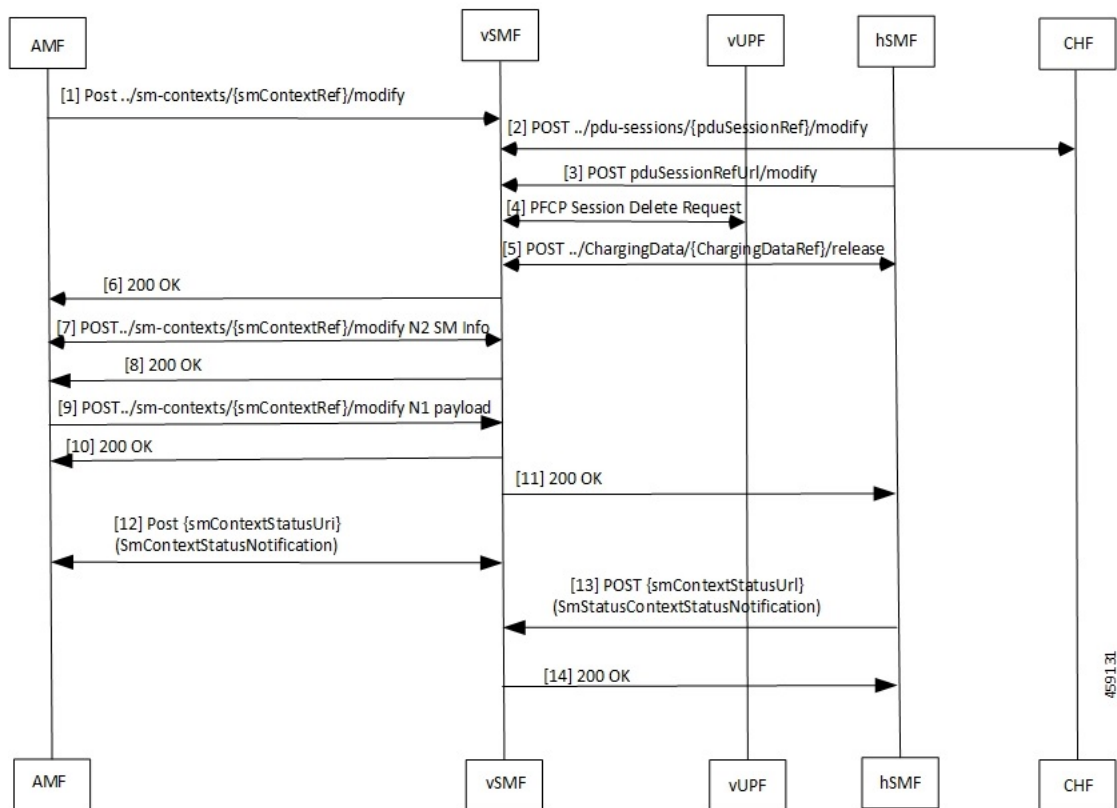


Table 6: vSMF Release Session Call Flow Description

Step	Description
1	The UE will initiate a release of the PDU session.
2	The vSMF receives the release request response from the hSMF.
3	The hSMF responds with a request to release the request in the form of a modify request with release indication set to true.
4	The vSMF releases the PCFCP session.
5	The vSMF releases the charging session.

Step	Description
6	The vSMF responds to the AMF with a 200 OK response message.
7	The AMF responds with an N2 modification request.
8	The vSMF responds to the request with a 200 OK response message.
9	The AMF sends an N1 modification request to the vSMF.
10	The vSMF responds with a 200 OK message.
11	The vSMF responds to the hSMF PDU session modification request.
12	The vSMF forwards this notification to the AMF.
13	The hSMF sends an Sm context status notification that the release is complete.
14	The vSMF acknowledges the receipt of the notification.

hSMF Release Session Procedure

This section provides details about the release session procedure for hSMF.

Figure 11: hSMF Release Session Call Flow

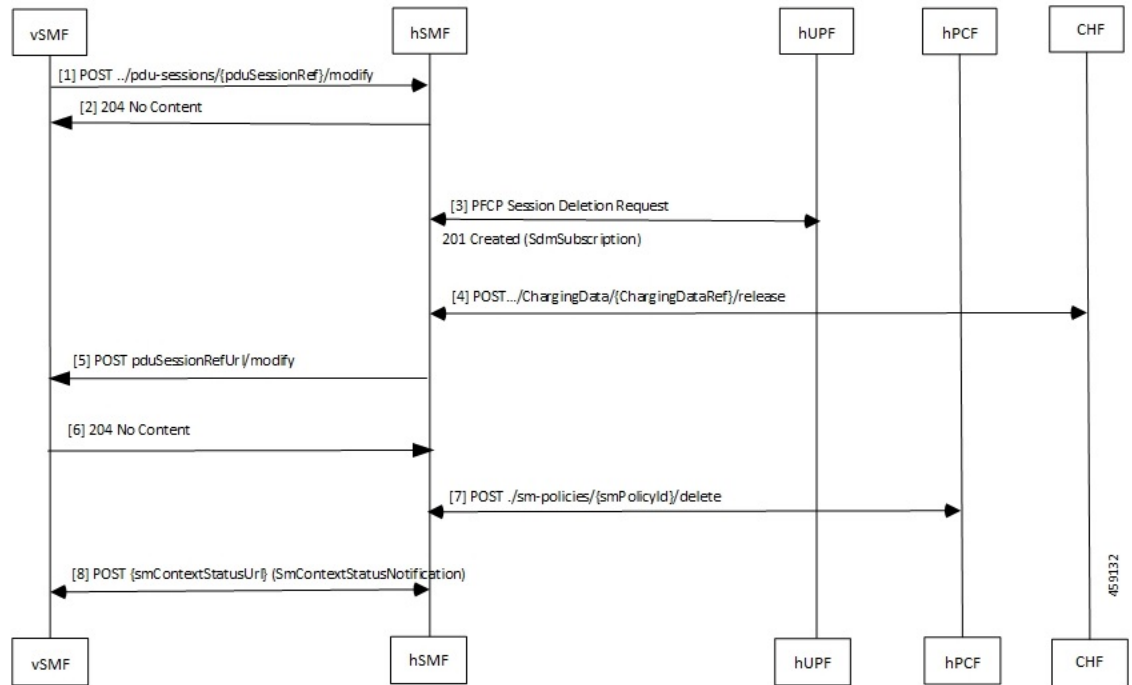


Table 7: hSMF Release Session Call Flow Description

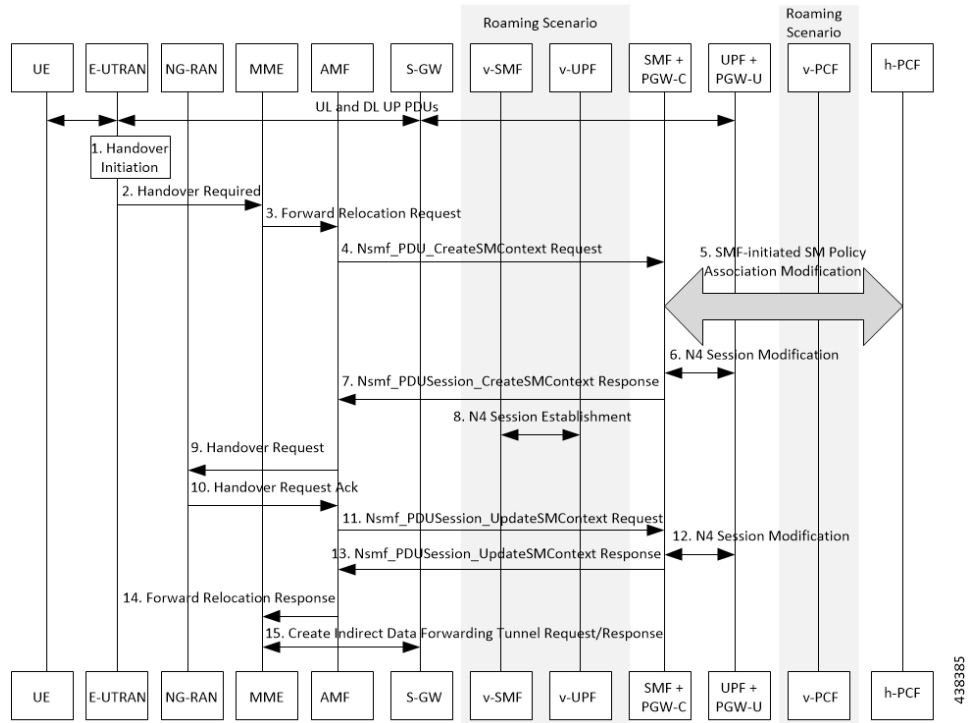
Step	Description
1	The vSMF forwards the release request to the hSMF.

Step	Description
3	The vSMF receives a release request response from the hSMF.
4	The vSMF releases the PFCP session for the vUPF.
5	The vSMF releases the charging session and updates the CHF.
6	The AMF receives an N1/N2 transfer request.
7	The vSMF receives information regarding the N2 status and acknowledges with a 204 No Content message.
8	The vSMF receives an N1 release complete notification from the AMF and responds with a 204 No Content message.
9	The vSMF updates the AMF with an Sm Context Status Notification message, which indicates that the session is released.

EPS to 5G Handover Using N26 Interface

This section describes the call flow for the EPS to 5G handover procedure using the N26 interface.

Figure 13: Call Flow for the EPS to 5G Handover Using the N26 Interface



438385

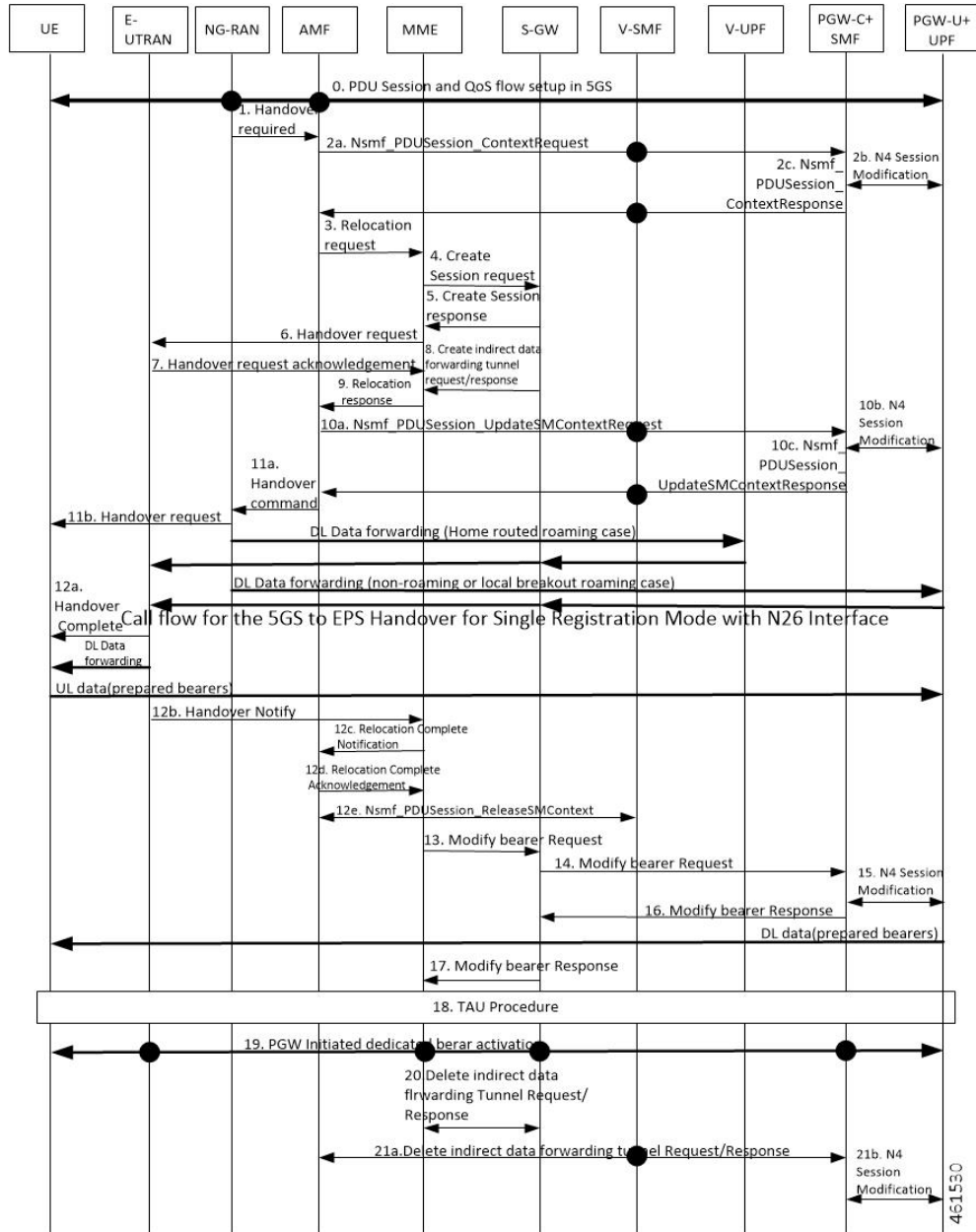
Table 9: Call Flow Description for the EPS to 5G Handover Using the N26 Interface

Step	Description
1	Call handover initiation starts from UE and E-UTRAN toward each other, proceeds from E-UTRAN to the S-GW. Then for roaming calls, call handover initiation proceeds from S-GW to the UPF+P-GW-U.
2	The E-UTRAN sends the Handover Call Request to the MME.
3	The MME forwards the Relocation Request to the AMF.
4	The AMF invokes the NsmfPDUSessionCreateSMContext service operation on SMF. The PGW-C+SMF address identifies this service operation. The service operations can be UE EPS PDN Connection, AMF ID, or Direct Forwarding Flag. The AMF then indicates the handover preparation to avoid switching the UP path. The SMF searches for the corresponding PDU session that is based on EPS Bearer Contexts. The AMF includes Direct Forwarding Flag to inform the SMF of the applicability of indirect data forwarding.
5	If you have deployed the dynamic PCC, the SMF+PGW-C initiates the SMF-initiated SM Policy Modification toward the PCF.
6	The PGW-C+SMF sends the N4 Session Modification to PGW-U+UPF to establish the CN tunnel for a PDU Session. The PGW-U+UPF receives the uplink packets from NG-RAN. This step involves creating uplink PDRs and FARs for the 5G session along with the QFIs that are mapped from the existing 4G bearers.
7	The PGW-C+SMF sends a NsmfPDUSessionCreateSMContext Response to the AMF. This response includes PDU Session ID, S-NSSAI, and N2 SM Information. The N2 SM Information includes PDU Session ID, S-NSSAI, QFIs, QoS Profiles, EPS Bearer Setup List, mapping between EBIs and QFIs, CN Tunnel information, and cause code details. The SMF includes mapping between EBIs and QFIs as the N2 SM Information container. If the P-GW-C+SMF determines that session continuity from EPS to 5GS is not supported for the PDU session, then the P-GW-C+SMF does not provide the Session Manager information for the corresponding PDU session. However, the P-GW-C+SMF includes the cause code details for rejecting the PDU session transfer in the N2 SM information.
8	The V-SMF and V-UPF establish an N4 session with each other.
9	The AMF sends the Handover Request to NG-RAN.
10	The NG-RAN sends an acknowledgment for the received Handover Request to the AMF.
11	The AMF sends a NsmfPDUSessionUpdateSMContext Request, T-RAN SM N3 forwarding information list message to the SMF for updating the N3 tunnel information. The NsmfPDUSessionUpdateSMContext request includes a PDU Session ID, S-NSSAI, and N2 SM Information. The tunnel information exists in the NGAP IE DL Forwarding UP TNL Information of the Handoff Request Acknowledgment that is received from NG-RAN.
12	The SMF+PGW-C performs the N4 session modification toward UPF+PGW-U to create the indirect tunnel to forward the DL data from eNodeB to NG-RAN. This step includes creating UL PDRs for the redirected DL data and associating FARs with them to forward the FARs to NG-RAN. The mapping of these PDRs and FARs is based on QFI and the corresponding bearer ID.

Step	Description
13	The PGW-C+SMF sends the NsmfPDUSessionUpdateSMContext Response to the AMF. This response includes PDU Session ID, EPS Bearer Setup List, and CN tunnel information for data forwarding. At this point, the indirect tunnels are established for DL data forwarding.
14	The AMF sends the Forward Relocation Response to the MME.
15	The MME sends the creation request for the indirect data forwarding tunnel to the S-GW. The S-GW sends the response for the indirect data forwarding tunnel to the MME.

5GS to EPS Handover for Single Registration Mode with N26 Interface

Figure 14: Call flow for the 5GS to EPS Handover for Single Registration Mode with N26 Interface



Important

The IP address preservation cannot be supported if PGW-C+SMF in the HPLMN doesn't provide the mapped QoS parameters.

Table 10: Call Flow Description for the 5GS to EPS Handover for Single Registration Mode with N26 Interface

Step	Description
1	The NG-RAN sends a Handover Required (Target eNB ID, Source to Target Transparent Container, inter-system handover indication) message to the AMF.
2a	AMF sends Nsmf_PDUSession_ContextRequest requests the V-SMF to provide SM Context that also includes the mapped EPS Bearer Contexts. Note The AMF knows the MME capability to support non-IP PDN type or not through local configuration. Note In a home routed roaming scenario, the UE's SM EPS Contexts is obtained from the V-SMF.
2b	The PGW-C+SMF send N4 Session modification to PGW-U+UPF to establish the CN tunnel for each EPS bearer and provide EPS Bearer Contexts to AMF.
2c	PGW-C+SMF sends Nsmf_PDUSession_ContextResponse requests the V-SMF to provide SM Context that also includes the mapped EPS Bearer Contexts.
3	The AMF sends a Forward Relocation Request with modifications and clarifications.
4	MME sends Create_Session_Request to S-GW.
5	S-GW sends Create_Session_Response to MME.
6	MME sends Handover Request(may contain information Handover Restriction List with information about PLMN IDs) to E-UTRAN.
7	E-UTRAN sends Handover Request Acknowledgment to MME.
8	Creates indirect data forwarding tunnel request or response between MME and S-GW.
9	MME sends Relocation Response to AMF.
10a	AMF sends the Nsmf_PDUSession_UpdateSMContext Request (Serving GW Addresses and Serving GW DL TEIDs for data forwarding) to the PGW-C+SMF, for creating indirect data forwarding tunnel.
10b	N4 Session modification request is sent between PGW-C+SMF and PGW-U+UPF.
10c	The PGW-C+SMF returns an Nsmf_PDUSession_UpdateSMContext Response (Cause, CN tunnel Info for Data Forwarding, QoS flows for Data Forwarding) to AMF for creating indirect data forwarding. Based on the correlation between QFIs and Serving GW Addresses and TEIDs for data forwarding, the PGW-U+UPF maps the QoS flows into the data forwarding tunnels in EPC.
11a	The AMF sends the Handover Command to the source NG-RAN.
11b	The NG-RAN sends the Handover Command to the source UE.
12a	The UE sends the Handover Complete Command to the source UE NG-RAN.
12b	The E-UTRAN sends the Handover Notify to the source UE MME.
12C	The MME sends Relocation Complete Notification to AMF.

Step	Description
12d	The AMF acknowledges MME with Relocation Complete Acknowledge message. A timer in AMF is started to supervise when the resources in the NG-RAN and PGW-C+SMF are released.
13	MME sends Modify Bearer Request to S-GW.
14	S-GW sends Modify Bearer to PGW-C+SMF.
15	The PGW-C+SMF initiates a N4 Session Modification procedure in the direction of UPF+PGW-U to update the User Plane path downlink User Plane, for the indicated PDU Session is switched to E-UTRAN. The PGW-C+SMF releases the resource of the CN tunnel for PDU Session in UPF+PGW-U.
16	PGW-C+SMF sends Modify Bearer Response to S-GW.
17	S-GW sends Modify Bearer Response to MME.
18	The UE initiates a Tracking Area Update procedure(TAU).
19	The PGW-C+SMF initiates dedicated bearer activation procedure for non-GBR QoS Flows.
20	Indirect Data Forwarding Tunnel Request and Response deleted in MME and S-GW
21a	Indirect Data Forwarding Tunnel Request and Response deleted in AMF and PGW-C+SMF.
21b	N4 Session modification request is sent between PGW-C+SMF and PGW-U+UPF.

EPS to 5G Handover Without Using N26 Interface

This section describes the call flow for the EPS to 5G handover procedure without using the N26 interface.

Figure 15: Call Flow for the EPS to 5G Handover Without Using the N26 Interface

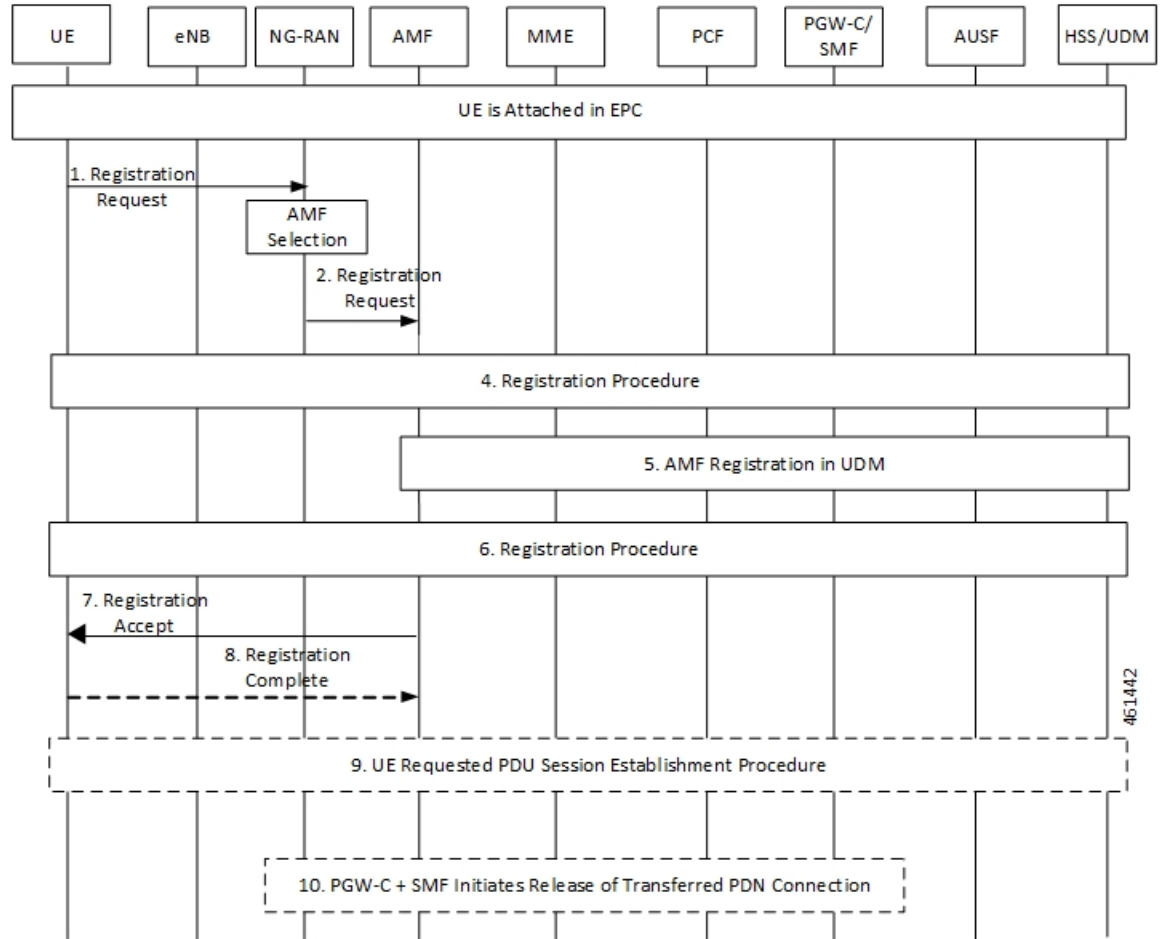


Table 11: Call Flow Description for the EPS to 5G Handover Without Using the N26 Interface

Step	Description
1	The UE initiates a registration request to the NG-RAN.
2	The NG-RAN selects an AMF.
3	The NG-RAN forwards the Registration Request with the N2 message parameters to the new AMF.
4	Refer to the General Registration procedure in TS 23.502.
5	The new AMF registers with the UDM using Nudm_UECM_Registration for the access to be registered.
6	Refer to the General Registration procedure in TS 23.502.

Step	Description
7	The new AMF sends the Registration Accept message to the UE. The AMF includes an "Interworking without N26" indicator to the UE.
8	The UE responds with a Registration Complete message to the new AMF.
9	The UE initiates a PDU Session establishment procedure.
10	The PGW-C+SMF performs release of the resources in EPC for the PDN connections(s) transferred to 5GS by performing the PDN GW initiated bearer deactivation procedure.

5G to EPS Handover Without Using N26 Interface

This section describes the call flow for the 5G to EPS handover procedure without using the N26 interface.

Figure 16: Call Flow for the 5G to EPS Handover Without Using N26 Interface

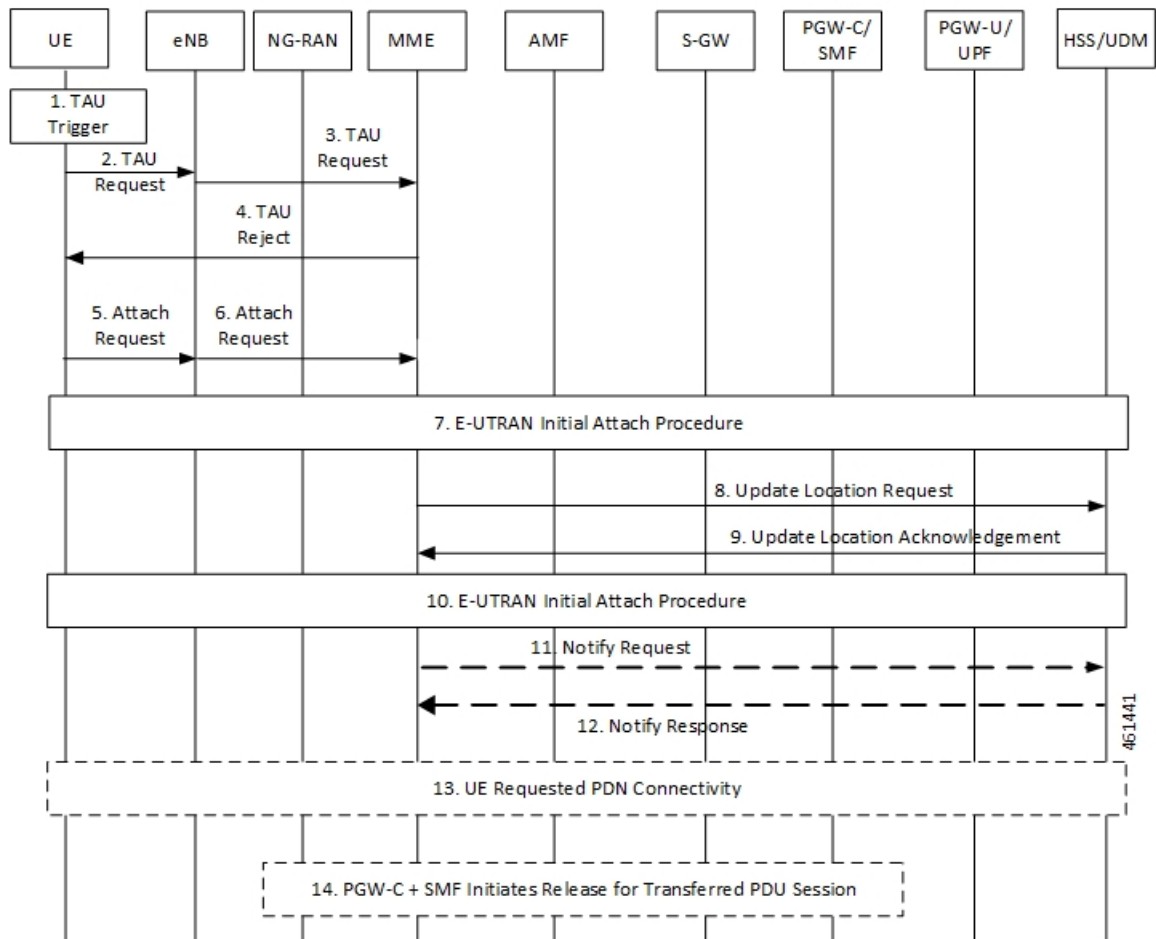


Table 12: Call Flow Description for the 5G to EPS Handover Without Using N26 Interface

Step	Description
1 - 2	The UE initiates the TAU procedure by sending, to the eNodeB, a TAU Request.
3	The eNodeB forwards the TAU Request message to the new MME.
4	If the MME determines that the old node is an AMF based on UE's GUTI mapped from 5G-GUTI and the MME is configured to support 5GS-EPS interworking without N26 procedure, the MME sends a TAU Reject to the UE.
5	The UE initiates an Attach Request to the eNodeB.
6	The eNodeB relays the Attach Request to the new MME.
7	Refer to the E-UTRAN Initial Attach procedure in TS 23.401.
8	If the MME has changed since the last detach, or if there is no valid subscription context for the UE in the MME, or if the UE provides an IMSI or the UE provides an old GUTI which doesn't refer to a valid context in the MME, or for some network sharing scenario if the PLMN-ID of the TAI supplied by the eNodeB is different from that of the GUTI in the UE's context, the MME sends an Update Location Request message to the HSS.
9	The HSS acknowledges the Update Location message by sending an Update Location Ack (IMSI, Subscription data) message to the new MME.
10	Refer to the E-UTRAN Initial Attach procedure in TS 23.401.
11	After the MME receives the Modify Bearer Response (EPS Bearer Identity) message, it sends a Notify Request including the APN and PDN GW identity to the HSS for mobility with non-3GPP accesses. The message includes information that identifies the PLMN in which the PDN GW is located.
12	In the case of non-emergency services, the HSS stores the APN and PDN GW identity pair. In the case of emergency services, the HSS stores the "PDN GW currently in use for emergency services". The HSS then sends a Notify Response to the MME.
13	If the UE has remaining PDU Sessions in 5GS, which it wants to transfer to EPS and maintain the same IP address/prefix, the UE performs the UE requested PDN Connectivity Procedure and sets the Request Type to "handover". UE provides an APN and the PDU Session ID corresponding to the PDU Session it wants to transfer to EPS.
14	The PGW-C+SMF initiates release of the PDU Session(s) in 5GS transferred to EPS.

Standards Compliance

The Home Routing roaming support feature complies with the following standards:

- 3GPP TS 23.501 v15.4.0
- 3GPP TS 23.502 v15.4.0
- 3GPP TS 23.503 v15.4.0
- 3GPP TS 33.501 v15.4.0
- 3GPP TS 33.128 v15.4.0

- *3GPP TS 33.127 v15.4.0*
- *3GPP TS 32.240 v15.4.0*
- *3GPP TS 29.244 v15.4.0*
- *3GPP TS 32.291 v15.3.0*
- *3GPP TS 29.502, Release 16*
- *3GPP TS 29.502 v15.7.0, April 2020*

Limitations

In this release, the Home Routing roaming support feature has the following limitations:

- No support for unknown NAS SM information (unknown IE).
- The Charging ID of VPLMN is transferred to the hSMF, but it does not follow the format that is mentioned in the corresponding 3GPP specification.
- Support for Charging ID on the N16 interface is available, but it's not according to the 3GPP specifications.

Charging Support for HR Roaming

This section describes the charging support for the HR roaming feature.

This feature supports the following functionalities:

- QBC charging.
- Roaming QBC profiles configuration.
- Relay roaming QBC profiles to the CHF.
- Receive roaming QBC profiles from the CHF.
- Relay roaming QBC profiles from the vSMF to hSMF.
- hSMF relays roaming vSMF QBC profiles to hCHF.
- vSMF relays roaming hSMF QBC profiles to vCHF.
- In the vSMF, UPServ in collaboration with charging, creates PDRs for QFI on the N4 interface and associated corresponding URR, which are derived from the roaming QBC profile.
- Relay URR usage reports derived from the QBC profile to the respective CHF in QFI containers, which are meant for QoSFlow reporting.
- Disable QBC for the sessions for which the corresponding QBC charging profiles could not be identified.
- Support Fail-Open from the CHF.
- Configuration to enable QBC on the hSMF, vSMF and non-roaming SMF.

Using the Roaming QBC Profile

The SMF determines the QBC profile based on the local interface. The QBC URR is created based on the limits present in the profile.

The following triggers are applicable for HR charging:

- Triggers armed at Session Level
 - Reports the QBC in the session level URR.
 - Reports the QBC for the CC events.
- Triggers armed at the QBC profile
 - Limits are used in QBC URRs.
 - Reports all the QBC URRs for an event armed at the QBC profile.

The following sample code shows the different triggers and their corresponding values.

```
Sess trigger []
Vol 100
time 100
RAT

Rg X trigger[]
Vol 10
time 10
PLMN

RoamignQbcprofile trigger[]
Vol 20
time 20
ULI

Sess URR
Vol 100
tim 100

RGX_URR
vol 10
tim 10

QBCURR1
Vol 20
tim 20

QBCURR2
Vol 20
tim 20

When RTA happens
Query all RG and all QBC urr

when PLMN change
Query RG X URR
```

when ULI changes
Query all QBC

Accounting Static or Predefined URR Usage to Session Level URR

In the previous release, the CHF driven session limits were controlled by the PCF, dynamic in nature and applicable for the online and offline charging service. As a result, all the dynamic URRs were reported when a session level URR was reported. Also, the offline URR associated with the static or predefined rules were reported when a separate URR was met.

In the current release, the reporting mechanism is streamlined on the N4 interface for the session limits to report the following URRs:

- The online and offline URRs associated with dynamic rules.
- The offline URR associated with static or predefined rules.
- All the QBC URRs.

NOTES:

- In this release, the SMF does not report the online static or predefined URRs when a session limit is met.
- In this release, rulebase ECGDR configuration is not required to get the static or predefined accumulated report for offline services.

When QBC is enabled, the SMF associates SessLevelUrr to the default UL or DL PDR, which carries the rulebase name. The UPF associates this URR to every SDF PDR or URR for all the static predefined rules.

- During setup, the Sess Urr is associated with the default PDR. If the SMF does not have input during the setup time for creating the Sess level URR and later post setup, the CHF sets limits. These URRs are not honored.

MaxChangeinCC, MaxDeferredUrr and 000 Config

MaxChangeinCC

The HR roaming feature supports reporting of the QBC usage data when Max CC is met.

The MaxCC value can be controlled at the config level apart from it coming from the CHF. The priority order of selecting the MaxCC values, are as follows:

- The CHF armed MaxCC.
- The ChargingProfile when it's associated to a session.
- If a session is enabled for QBC charging, use QbcProfile .

MaxDeferredUrr

The local config is used to configure the MaxDeferred value present in Charging-Profile. This is extended to ChargingQbcProfile. The priority order of selecting, are as follows:

- The ChargingProfile when it's associated to a session.
- If a session is enabled for QBC charging, use QbcProfile .

The MaxDeferred count is met when the combined value of UUC and QFIContainer crosses the configured threshold value.

OOO Config

The OOO config is referred from Charg-Profile, which is associated to a session.

If it's not associated to a session, then it's referred from the QBC profile on the condition that the QBC charging is enabled for the session.

Configure Charging for HR Roaming

This section describes how to configure the charging for the HR roaming feature.

Configure the QBC Charging Profile

Use the following sample code to configure the QBC charging profile:

```
[unknown] smf(config)# profile charging-qbc test
[unknown] smf(charging-qbc-test)# ?
Possible completions:
  limits      List of threshold
  triggers    List of Triggers to be configured

[unknown] smf(charging-qbc-test)# limits ?
Possible completions:
  duration    Duration threshold for Charging, range [60..40000000]
  volume      Volume threshold for Charging, range [10000..4000000000]

[unknown] smf(charging-qbc-test)# limit duration ?
Description: Duration threshold for Charging, range [60..40000000]
Possible completions:
  <unsignedInt, 60 .. 40000000>

[unknown] smf(charging-qbc-test)# limit volume ?
Possible completions:
  downlink   in bytes, range [10000..4000000000]
  total      in bytes, range [10000..4000000000]
  uplink     in bytes, range [10000..4000000000]

[unknown] smf(charging-qbc-test)# triggers ?
Description: List of Triggers
Possible completions:
  3gpp-ps-change
  ambr-change
  max-number-of-changes-in-charging-conditions
  plmn-change
  qos-change
  rat-change
  serv-node-change
  ue-pra-change
  ue-time-change
  user-loc-change
```

Associate the QBC Charging Profile to Charging Characteristics

Use the following sample code to configure and associate the QBC charging profile to the Charging-Characteristics profile:

```
[unknown] smf(config)# profile charging-characteristics 16
[unknown] smf(config-charging-characteristics-16)# ?
Possible completions:
```

```

charging-profile           Charging Profile configuration
network-element-profile-list  Network element profile list
charging-qbc-profile      Associate said QBC ChargignProfile

```

```
[unknown] smf(config-charging-characteristics-16)#associate-qbc-charg-profile test
```

Associate the QBC Charging Profile to DNN Profile

Use the following sample code to configure and associate the QBC charging profile to the DNN-Profile:

```

unknown] smf(config)# profile dnn test
[unknown] smf(config-dnn-test)# ?
Possible completions:
---
---
charging-profile           Charging Profile configuration
charging-qbc-profile       QBC ChargignProfile

```

Configure the QoS Profile

The QoS profile is enhanced to configure per qi5 arp combination for the flow parameters, MFBR and GFBR.

Use the following sample code to configure the QoS profile:

```

[smf] smf(config-qos-abc)# qosflow?
Possible completions:
  qosflow  Configure Qosflow params for 5QI/Arp values
[smf] smf(config-qos-abc)# qosflow ?
Possible completions:
  qi5      Standard 5QI value (range 1 to 255)
[smf] smf(config-qos-abc)# qosflow qi5 ?
Possible completions:
  <qci-value:unsignedInt, 1 .. 255>  range
[smf] smf(config-qos-abc)# qosflow qi5 1 ?
Possible completions:
  arp-priority-level  Configures the ARP Priority Level [1-255]
  flow-parameter
  <cr>
[smf] smf(config-qos-abc)# qosflow qi5 1 flow-parameter ?
Possible completions:
  gfbr  Guaranteed Bit Rate (GFBR)
  mfbr  Maximum Bit Rate (MFBR)
[smf] smf(config-qos-abc)# qosflow qi5 1 flow-parameter gfbr ?
Possible completions:
  dl  GFBR Downlink threshold
  ul  GFBR Uplink threshold
[smf] smf(config-qos-abc)# qosflow qi5 1 flow-parameter gfbr dl ?
Description: GFBR Downlink threshold
Possible completions:
  <string>
[smf] smf(config-qos-abc)# qosflow qi5 1 flow-parameter mfbr ?
Possible completions:
  dl  MFBR Downlink threshold
  ul  MFBR Uplink threshold
[smf] smf(config-qos-abc)# qosflow qi5 1 flow-parameter mfbr

[smf] smf(config-qos-abc)# qosflow qi5 1 arp-priority-level 1 flow-parameter ?
Possible completions:
  gfbr  Guaranteed Bit Rate (GFBR)
  mfbr  Maximum Bit Rate (MFBR)
[smf] smf(config-qos-abc)# qosflow qi5 1 arp-priority-level 1 flow-parameter

```

Default DNN Support in HR Roaming

In the HR roaming scenario, the vSMF supports the use of default DNN to avoid listing or configuring all the DNNs used by the roaming partners.

The DNN validation is disabled for the visitor-hr calls received by the vSMF. From the default DNN profile, the virtual DNN configuration is used toward vCHF, vUPF, and RMGR for vUPF selection.

To configure the default DNN profile, use the following CLI configuration:

```
config
  policy dnn policy_name
    profile profile_name
  exit
exit
```

To configure the virtual DNN name, use the following CLI configuration:

```
config
  profile dnn profile_name
    dnn virtual_dnn_name network-function-list [ chf | rmgr | upf ]
  exit
exit
```

IPv6 RS/RA Support in HR Roaming

In this release, the Home Routed roaming feature supports the mechanism for vSMF to receive the IPv6 interface ID from the hSMF using the N16 interface as per *3GPP TS 29.502, Release 16, CR 202206*.

In the HR roaming scenario, the Router Solicitation (RA) and Router Advertisement (RA) is handled by the hUPF or hSMF, where the vUPF relays in both directions for RA to properly function. In CR 202206, the hSMF sends the IPv6 interface ID to the vSMF and then the vSMF relays the same to UE in the N1 payload.

For inter-operability, even if the vSMF does not receive the IPv6 interface ID from the hSMF on the N16 interface, it still relays based on the Virtual Mac configuration in the DNN profile to the UE.

SEPP Support

Feature Description

The Security Edge Protection Proxy (SEPP) is used to protect Control Plane traffic that is exchanged between different 5G PLMNs (Public Land Mobile Networks). The SEPP performs message filtering, policing and topology hiding for all API messages at the PLMN boundaries.

The SMF supports the Failure Handling template for SEPP to identify the source of failure through SEPP or Peer.

How it Works

The SEPP protects the communication pathways and performs topology hiding for every Control Plane message in an inter-PLMN signalling, acting both as a service relay between the actual service producer and the service consumer. For both the service producer and consumer, the result of the service relaying is equivalent to a direct service interaction.

For HR roaming, each SEPP communicates with the respective SMF in the VPLMN and HPLMN by using the N16 interface.



Note The SEPP is only used on inter-PLMN boundaries, and is not used between nodes in the home domain, for example, between the hSMF and the hUDM.

SEPP Selection

The SEPP is selected through local configuration. The current set of NF nodes are extended to allow for SEPP selection. Both the vSMF and hSMF use the same configuration to select SEPP.

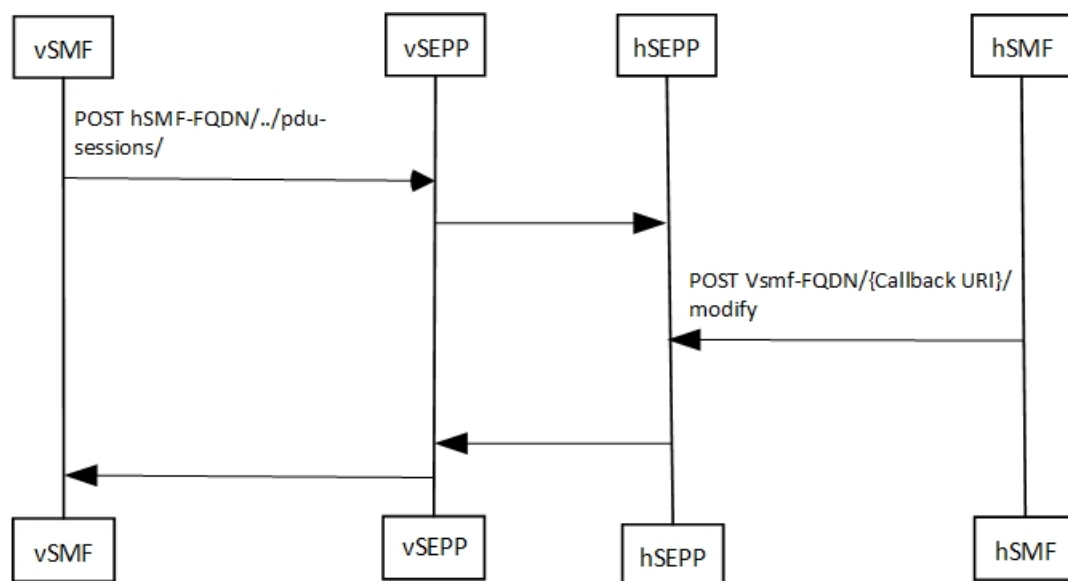
Call Flows

This section describes the call flow for selecting and using SEPP.

The following types of requests are sent from a client to a server:

- **Requests to API roots** - These requests are sent to the API root as defined in the YAML. The following headers are added to the request:
 - **3gpp-Sbi-Target-apiRoot** - The value of this header is the FQDN of the NF that services the request. For requests sent to the hSMF, this is the hSMF FQDN.
 - **Authority** - The value of this header is the server SEPP to which the request is sent to by the client. When the request is sent by the vSMF, the value is vSEPP, and when the request is sent by the hSMF, it's hSEPP.
- **Callback Requests** - These requests are callbacks that are invoked across PLMN boundaries. The values of the header field in such requests are defined in *3GPP TS 29.500, Annex B*.

Figure 17: Call Flow with SEPP



460441

Table 13: Call Flow Description for Selecting a SEPP

Step	Description
1 - 2	<p>The vSMF initiates the procedure by sending an indication to hSMF about using a SEPP and the address of the SEPP. The call flow sequence for this forward messaging is as follows:</p> <ul style="list-style-type: none"> • The vSEPP and hSEPP encrypts and decrypts the messages sent from the vSMF to hSMF respectively. • The AMF sends the hSMF FQDN to smf-service, which in turn sends it to rest-ep in all the messages. • The vSMF selects the vSEPP by reading the locally configured IP address and port number for the vSEPP and uses it to send messages to hSMF. • The rest-ep updates the 3gpp-Sbi-Target-apiRoot headers with the hSMF URI and Authority header with the IP address and port number of the vSEPP and then, sends the messages to vSEPP, which is further communicated to the hSEPP. • The hSEPP resolves the DNS (if required), decrypts the message and transmits it to the hSMF.
3 - 4	<p>The hSMF responds with a callback header value. The call flow sequence for this return messaging is as follows:</p> <ul style="list-style-type: none"> • The hSEPP and vSEPP encrypts and decrypts the messages sent from the hSMF to vSMF respectively. • The smf-service gets the FQDN for the vSMF from the notification URI that is received as apart of message from the vSMF and updates the 3gpp-Sbi-Target-apiRoot headers. The smf-service updates the 3gpp-sbi-callback enum value in all the messages. • The smf-service forwards the message to the rest-ep. The rest-ep updates the 3gpp-sbi-callback and 3gpp-Sbi-Target-apiRoot header values. • The rest-ep updates the Authority (pseudo header) with the locally configured IP address and port number of the hSEPP and forwards the message to the hSEPP, which is further communicated to the vSEPP. • The vSEPP resolves the DNS (if required), decrypts the message and transmits it to the vSMF.

Configuring the SEPP

This section describes how to configure SEPP.

The following conditions are applicable when you configure SEPP:

- It's configured in the same way how you configure the other NFs, like, for example, UDM, CHF, or PCF.
- As it's an Edge proxy and not a proper NF, it must have service lists, which are supported by a peer SMF.
- It supports failure handling functionality using the existing nf-client failure templates, similar to the other NFs.

Configuring the SEPP nf-client

To configure a SEPP nf-client, use the sample CLI configuration only as a reference.

```
profile nf-client nf-type sepp
sepp-profile SEPP1
locality LOC1
service name type nsmf-pdusession
endpoint-profile EP1
  capacity 50
  priority 50
  uri-scheme http
  endpoint-name sepp-ep-1
  priority 50
  capacity 50
  primary ip-address ipv4 xx.xx.xx.xx
  primary ip-address port xxxx
exit
exit
exit
exit
exit
```

Configuring the Network Element Profiles for a SEPP

To configure the network element profiles linked to a SEPP nf-client, use the sample CLI configuration.

```
profile network-element sepp nrf-nf-sepp-1
nf-client-profile SEPP1
exit
```

Configuring the DNN Profile for a SEPP

To configure the DNN profile for a SEPP, use the sample CLI configuration only as a reference.

```
network-element-profile sepp nrf-nf-sepp-1 is linked to dnn

profile dnn intershatRoamer
network-element-profiles sepp nrf-nf-sepp-1
exit
```

Configuring the Failure Handling for a SEPP

The SEPP supports the existing failure handling template for all the HTTP error response codes. To configure failure handling for a SEPP, use the sample configuration only as a reference.

```
profile nf-client-failure nf-type sepp
profile failure-handling FH-SEPP
service name type nsmf-pdusession
message type VsmfPduSessionCreate
status-code httpv2 504
  retry 2
  action retry-and-terminate
exit
exit
exit
exit
exit
```



Note In the current release, only the retry-terminate option is supported for all the messages.

Configuring the SMF NRF Registration

To configure the SMF NRF registration, use the sample configuration only as a reference.

```
profile smf smf1 instances
  instances 1 fqdn 5gc.mnc456.mnc123.3gppnetwork.org
  instances 1 inter-plmn-fqdn 5gc.mnc456.mnc123.3gppnetwork.org
  instances 1 supported-features [ vsmf ]
```



Note In the current release, for the SMF to register with an NRF, the **inter-plmn-fqdn** and **vsmf-supported** IEs are included for the SMF discovery. The configuration for **vsmfSupportIndicator** must be added on vSMF along with **inter-plmn-fqdn**. This configuration is required for vAMF to find a vSMF, which supports roaming.

To undo the configuration for **vsmfSupportIndicator**, use the following sample configuration:

```
smf] smf(config-smf-smf1)# no instances 1 supported-features
[smf] smf(config-smf-smf1)# commit
```

Troubleshooting Information

This section provides information on using the command line interface (CLI) commands, alerts, logs, and metrics for troubleshooting any roaming related issues that may arise during system operation.

Subscriber Details for Roaming-specific Information

The **show subscriber supi supi_id nf-service smf full** CLI command displays the roaming status of a UE.



Note In 2021.02 and later releases, the **namespace** keyword is deprecated and replaced with the **nf-service** keyword.

```
[unknown-smf] smf# show subscriber supi imsi-123456789012345 nf-service smf full
subscriber-details
{
...
  "authStatus": "Unauthenticated",
  "roamingStatus": "Vistor LBO",      <<< In-Roamer UE Roaming Status
  "uePlmnId": {
    "mcc": "123",
    "mnc": "456"
  }
...
  "authStatus": "Unauthenticated",
  "roamingStatus": "Roamer",        <<< Out-Roamer UE Roaming Status
  "uePlmnId": {
    "mcc": "123",
    "mnc": "456"
  }
}
```

```

...
    "authStatus": "Unauthenticated",
    "roamingStatus": "Homer",
    "uePlmnId": {
      "mcc": "123",
      "mnc": "456"
    }
  }

```

Subscriber Details for Roaming-specific Information for hSMF

The **show subscriber supi *supi_id* psid *psid_value* full** CLI command displays the detailed subscriber information for roaming-specific use case as hSMF.

```

[unknown] smf# show subscriber supi imsi-123456789012345 psid 5 full
subscriber-details
{
  "status": true,
  "genericInfo": {
    "supi": "imsi-310210789012346",
    "pei": "imei-1234567866666660",
    "pduSessionId": 5,
    "pduSesstype": "Ipv4PduSession",
    "accessType": "3GPP_ACCESS",
    "dnn": "intershat",
    "plmnId": {
      "mcc": "310",
      "mnc": "560"
    },
    "sScMode": 1,
    "uetimeZone": "UTC+12:00",
    "allocatedIp": "209.165.200.229",
    "nrLocation": {
      "ncgi": {
        "mcc": "310",
        "mnc": "560",
        "nrCellId": "123456789"
      },
      "tai": {
        "mcc": "310",
        "mnc": "560",
        "tac": "1820"
      }
    },
    "alwaysOn": "None",
    "dcnr": "None",
    "wps": "Non-Wps Session",
    "ratType": "NR",
    "ueType": "NR Capable UE",
    "sessTimeStamp": "2021-06-18 18:49:28.266245111 +0000 UTC",
    "callDuration": "20.549700502s",
    "ipPool": "poolv4",
    "commonId": 2097158,
    "snssai": {
      "sd": "Abf123",
      "sst": 2
    },
    "authStatus": "Unauthenticated",
    "roamingStatus": "Roamer",
    "uePlmnId": {
      "mcc": "310",
      "mnc": "210"
    }
  }
}

```

```

},
"accessSubData": {
  "amfID": "AFbe08",
  "amfPlmnId": {
    "mcc": "310",
    "mnc": "560"
  },
  "epsInterworkingIndication": "WITHOUT_N26"
},
"policySubData": {
  "TotalDynamicRules": 2,
  "TotalFlowCount": 2,
  "TotalNonGBRFlows": 1,
  "TotalGBRFlows": 1,
  "pccRuleList": [
    {
      "pccRuleId": "PccRule-1",
      "qfi": 2,
      "gbrDl": 2000000000,
      "gbrUl": 1000000000,
      "mbrDl": 4000000000,
      "mbrUl": 3000000000,
      "flowInformation": [
        {
          "flowLabel": "flow",
          "spi": "2",
          "flowDirection": 3,
          "flowDescription": "permit out ip from 209.165.200.225 to 209.165.200.254",
          "tosTrafficClass": "8"
        }
      ],
      "chargingInformation": {
        "chargingId": "ChargingData-1",
        "meteringMethod": "Duration and Volume",
        "Type": "Online",
        "ratingGroup": 10,
        "serviceId": "20"
      }
    },
    {
      "pccRuleId": "defaultrule",
      "qfi": 1,
      "mbrDl": 125000000,
      "mbrUl": 100000000,
      "flowInformation": [
        {
          "flowDirection": 3,
          "flowDescription": "permit out ip from any to any"
        }
      ]
    }
  ],
  "qosFlow": [
    {
      "qfi": 2,
      "GBRFlow": "True",
      "bindingParameters": {
        "x5Qci": 3,
        "arp": {
          "preemptCap": "NOT_PREEMPT",
          "preemptVuln": "PREEMPTABLE",
          "priorityLevel": 7
        }
      }
    }
  ],

```

```

    "AggregatedULGFbr": 1000000000,
    "AggregatedDLGFbr": 2000000000,
    "AggregatedULMFbr": 3000000000,
    "AggregatedDLMFbr": 4000000000,
    "pccRuleList": "PccRule-1",
    "qosDescList": "QoS-1,"
  },
  {
    "qfi": 1,
    "GBRFlow": "False",
    "bindingParameters": {
      "x5Qi": 5,
      "arp": {
        "preemptCap": "NOT_PREEMPT",
        "preemptVuln": "NOT_PREEMPTABLE",
        "priorityLevel": 15
      },
      "priorityLevel": 1
    },
    "AggregatedULMFbr": 1000000000,
    "AggregatedDLMFbr": 1250000000,
    "pccRuleList": "defaultrule",
    "qosDescList": "default,"
  }
],
"policyType": "Pcf",
"pcfInteraction": "Pcf Interaction: ON",
"ruleBase": "starent",
"sessRuleList": [
  {
    "authDefaultQos": "&QosProfileKey{X5QI:5,Arp:{PreemptionCapability_NOT_PREEMPT
PreemptionVulnerability_NOT_PREEMPTABLE 15
true},Priority:1,MaxDataBurstVol:0,Qnc:false,AveragingWindow:})",
    "authSessAmbr": {
      "downlink": 1250000000,
      "uplink": 1000000000
    },
    "sessRuleId": "default"
  }
],
"presenceReporting": "Disabled"
},
"chargingData": {
  "invcSeqNo": 1,
  "pduChId": 2097158,
  "ccId": "1",
  "chargingIdRtgGrpMapInfo": {
    "rgId": "10",
    "chargingId": [
      "ChargingData-1",
      "l10of",
      "l10on"
    ]
  }
},
"chargParmMapInfo": [
  {
    "ratingGrp": 10,
    "chargingId": "ChargingData-1",
    "online": "true",
    "offline": "true",
    "serviceID": 20,
    "pccRuleIds": [
      "PccRule-1"
    ]
  }
],

```

```

    "linkedChrgId": [
      "l10of",
      "l10on",
      "sesslevelurr"
    ],
    "meteringMthd": "MeteringMethod_DURATION_VOLUME",
    "reportingLevelOnline": "ReportingLevel_RAT_GR_LEVEL",
    "reportingLevelOffline": "ReportingLevel_RAT_GR_LEVEL",
    "configured": "false",
    "tightInterworkingMode": "false",
    "parent": "true",
    "reportingParm": "false",
    "limitParm": "false",
    "limitsChrgParamOnline": "l10on",
    "limitsChrgParamOffline": "l10of",
    "qosIds": [
      "QoS-1"
    ],
    "qfi": 2,
    "offlineConverted": "false"
  },
  {
    "ratingGrp": 10,
    "chargingId": "l10of",
    "online": "false",
    "offline": "true",
    "pccRuleIds": [
      "PccRule-1"
    ],
    "linkedChrgId": [
      "sesslevelurr"
    ],
    "meteringMthd": "MeteringMethod_DURATION_VOLUME",
    "reportingLevelOnline": "ReportingLevel_Dummy",
    "reportingLevelOffline": "ReportingLevel_RAT_GR_LEVEL",
    "configured": "false",
    "tightInterworkingMode": "false",
    "parent": "false",
    "reportingParm": "true",
    "limitParm": "true",
    "qosIds": [
      "QoS-1"
    ],
    "qfi": 2,
    "offlineConverted": "false"
  },
  {
    "ratingGrp": 10,
    "chargingId": "l10on",
    "online": "true",
    "offline": "false",
    "pccRuleIds": [
      "PccRule-1"
    ],
    "linkedChrgId": [
      "sesslevelurr"
    ],
    "meteringMthd": "MeteringMethod_DURATION_VOLUME",
    "reportingLevelOnline": "ReportingLevel_RAT_GR_LEVEL",
    "reportingLevelOffline": "ReportingLevel_Dummy",
    "configured": "false",
    "tightInterworkingMode": "false",
    "parent": "false",
    "reportingParm": "true",
  }

```

```

    "limitParm": "true",
    "qosIds": [
      "QoS-1"
    ],
    "qfi": 2,
    "offlineConverted": "false"
  },
  {
    "chargingId": "sesslevelurr",
    "online": "false",
    "offline": "true",
    "pccRuleIds": [
      "PccRule-1"
    ],
    "meteringMthd": "MeteringMethod_DURATION_VOLUME",
    "reportingLevelOnline": "ReportingLevel_Dummy",
    "reportingLevelOffline": "ReportingLevel_Dummy",
    "configured": "false",
    "tightInterworkingMode": "false",
    "parent": "false",
    "reportingParm": "false",
    "limitParm": "true",
    "offlineConverted": "false"
  }
],
"chTriggerInfo": {
  "sessionTriggerInfo": [
    {
      "triggerType": "VOLUME_LIMIT",
      "triggerCategory": "IMMEDIATE_REPORT",
      "triglevel": 2
    },
    {
      "triggerType": "TIME_LIMIT",
      "triggerCategory": "IMMEDIATE_REPORT",
      "triglevel": 2
    },
    {
      "triggerType": "AMBR_CHANGE",
      "triggerCategory": "IMMEDIATE_REPORT",
      "triglevel": 2
    },
    {
      "triggerType": "QOS_CHANGE",
      "triggerCategory": "DEFERRED_REPORT",
      "triglevel": 2
    }
  ],
  "rgTrgrList": [
    {
      "ratingGroup": 10,
      "rgTriggerInfo": [
        {
          "triggerType": "QUOTA_THRESHOLD",
          "triggerCategory": "IMMEDIATE_REPORT",
          "triglevel": 1
        },
        {
          "triggerType": "VOLUME_LIMIT",
          "triggerCategory": "IMMEDIATE_REPORT",
          "triglevel": 1
        },
        {
          "triggerType": "TIME_LIMIT",

```



```

        "triggerCategory": "IMMEDIATE_REPORT",
        "triglevel": 1
    },
    {
        "triggerType": "QUOTA_EXHAUSTED",
        "triggerCategory": "IMMEDIATE_REPORT",
        "triglevel": 1
    }
]
}
]
},
"chThresholdInfo": {
    "sessthresholdInformation": {
        "volumeThreshold": 45000,
        "durationThreshold": 90
    },
    "rgthresholdInformation": [
        {
            "volumeThreshold": 7000,
            "durationThreshold": 800
        }
    ],
    "quotaInformation": [
        {
            "quotaHoldingTime": -1,
            "timeQuotaThreshold": 10,
            "volQuotaThreshold": 1000,
            "downlinkVolume": 20000,
            "time": 100,
            "totalVolume": 35000,
            "uplinkVolume": 15000,
            "ratingGrp": 10
        }
    ]
},
"startTime": "2021-06-18T18:49:28Z",
"rulebase": "starent",
"chargingDisabled": "false",
"dropTraffic": "false",
"gtppGrp": "group1",
"profileName": "chgprf1",
"accountingEnabled": "false",
"n40ChargingEnabled": "true",
"QbcProfileName": "qbc_general",
"qbcChargingEnabled": "True",
"roamingQbcInfo": {
    "qfiTh": {
        "volTh": 30000,
        "durTh": 80
    },
    "qfis": {
        "rgTriggerInfo": [
            {
                "triggerType": "QOS_CHANGE",
                "triggerCategory": "IMMEDIATE_REPORT",
                "triglevel": 2
            },
            {
                "triggerType": "TIME_LIMIT",
                "triggerCategory": "IMMEDIATE_REPORT",
                "triglevel": 2
            },
            {

```

```

        "triggerType": "VOLUME_LIMIT",
        "triggerCategory": "IMMEDIATE_REPORT",
        "triglevel": 2
    }
]
},
"partialRecordMethod": "PartialRecordMethod_DEFAULT"
},
"qbcChargParam": [
    {
        "chargingId": "qfi1",
        "qfi": 1,
        "meteringMthd": "MeteringMethod_DURATION_VOLUME",
        "reportingParam": "True",
        "limitParam": "True",
        "parent": "True"
    },
    {
        "chargingId": "qfi2",
        "qfi": 2,
        "meteringMthd": "MeteringMethod_DURATION_VOLUME",
        "reportingParam": "True",
        "limitParam": "True",
        "parent": "True"
    }
],
"chfGroupId": "CHF-dnn=intershat;",
"fbcbChargingEnabled": "True"
},
"upfServData": {
    "numberOfTunnels": 1,
    "smfSeid": 9007228892966842,
    "qerInfo": [
        {
            "qosId": "Sess#Level",
            "qerId": 1,
            "refcnt": 1
        },
        {
            "qosId": "QoS-1@def#TC",
            "qerId": 2,
            "refcnt": 1
        },
        {
            "qosId": "default@def#TC",
            "qerId": 3,
            "refcnt": 1
        }
    ],
    "urrInfo": [
        {
            "chargingId": "ChargingData-1",
            "urrId": 16
        },
        {
            "chargingId": "l10of",
            "urrId": 33
        },
        {
            "chargingId": "l10on",
            "urrId": 55
        },
        {
            "chargingId": "sesslevelurr",

```

```

        "urrId": 76
      },
      {
        "chargingId": "qfi1",
        "urrId": 82
      },
      {
        "chargingId": "qfi2",
        "urrId": 98
      }
    ],
    "mapping": {
      "tunnelMapping": [
        {
          "TunnelID": 1,
          "tunnelName": "gnbTunnel",
          "RemoteTeid": {
            "teID": 1001,
            "ipAddr": "209.165.200.241"
          }
        }
      ]
    },
    "upfSeid": "17293822569102704642",
    "TotalNumberOfPdrs": "4 (Ul:2 Dl:2)",
    "TotalNumberOfFars": 4,
    "TotalNumberOfQers": 3,
    "TotalNumberOfUrrs": 6
  }
}

```

Subscriber Session Details for Roaming-specific Information for hSMF

The **show subscriber supi supi_id psid psid_value summary** CLI command displays the detailed information about subscriber sessions for roaming-specific use case as hSMF.

```

[unknown] smf# show subscriber supi imsi-123456789012345 psid 5 summary
subscriber-details
{
  "status": true,
  "genericInfo": {
    "supi": "imsi-310210789012346",
    "pduSessionId": 5,
    "pduSesstype": "Ipv4PduSession",
    "accessType": "3GPP_ACCESS",
    "dnn": "intershat",
    "plmnId": {
      "mcc": "310",
      "mnc": "560"
    },
    "allocatedIp": "209.165.200.240",
    "ratType": "NR",
    "sessTimeStamp": "2021-06-18 18:49:28.266245111 +0000 UTC",
    "authStatus": "Unauthenticated",
    "roamingStatus": "Roamer",
    "uePlmnId": {
      "mcc": "310",
      "mnc": "210"
    }
  },
  "policySubData": {
    "TotalDynamicRules": 2,

```

```

    "TotalFlowCount": 2,
    "TotalNonGBRFlows": 1,
    "TotalGBRFlows": 1,
    "pcfInteraction": "Pcf Interaction: ON",
    "ruleBase": "starent"
  },
  "chargingData": {
    "chargParmMapInfo": [
      {
        "chargingId": "ChargingData-1",
        "offlineConverted": "false"
      },
      {
        "chargingId": "l10of",
        "offlineConverted": "false"
      },
      {
        "chargingId": "l10on",
        "offlineConverted": "false"
      },
      {
        "chargingId": "sesslevelurr",
        "offlineConverted": "false"
      }
    ],
    "chargingDisabled": "false",
    "dropTraffic": "false",
    "gtppGrp": "group1",
    "profileName": "chgprf1",
    "accountingEnabled": "false",
    "n40ChargingEnabled": "true",
    "QbcProfileName": "qbc_general",
    "qbcChargingEnabled": "True",
    "qbcChargParam": [
      {},
      {}
    ],
    "chfGroupId": "CHF-dnn=intershat;",
    "fbcChargingEnabled": "True"
  },
  "upfServData": {
    "smfSeid": 9007228892966842,
    "qerInfo": [
      {
        "qosId": "Sess#Level",
        "qerId": 1,
        "refcnt": 1
      },
      {
        "qosId": "QoS-1@def#TC",
        "qerId": 2,
        "refcnt": 1
      },
      {
        "qosId": "default@def#TC",
        "qerId": 3,
        "refcnt": 1
      }
    ],
    "urrInfo": [
      {
        "chargingId": "ChargingData-1",
        "urrId": 16
      }
    ],
  }

```

```

    {
      "chargingId": "l10of",
      "urrId": 33
    },
    {
      "chargingId": "l10on",
      "urrId": 55
    },
    {
      "chargingId": "sesslevelurr",
      "urrId": 76
    },
    {
      "chargingId": "qfi1",
      "urrId": 82
    },
    {
      "chargingId": "qfi2",
      "urrId": 98
    }
  ],
  "mapping": {
    "tunnelMapping": [
      {
        "TunnelID": 1,
        "tunnelName": "gnbTunnel",
        "RemoteTeid": {
          "teID": 1001,
          "ipAddr": "209.165.200.231"
        }
      }
    ]
  },
  "upfSeid": "17293822569102704642",
  "TotalNumberOfPdrs": "4 (U1:2 D1:2)",
  "TotalNumberOfFars": 4,
  "TotalNumberOfQers": 3,
  "TotalNumberOfUrrs": 6
}

```

Subscriber Details for Roaming-specific Information for vSMF

The **show subscriber supi supi_id psid psid_value full** CLI command displays the detailed subscriber information for roaming-specific use case as vSMF.

```

[unknown] smf# show subscriber supi imsi-123456789012345 psid 5 full
subscriber-details
{
  "status": true,
  "genericInfo": {
    "supi": "imsi-310480789012346",
    "pei": "imei-123456786666660",
    "pduSessionId": 5,
    "pduSesstype": "Ipv4PduSession",
    "accessType": "3GPP_ACCESS",
    "dnn": "intershat",
    "plmnId": {
      "mcc": "310",
      "mnc": "260"
    },
    "uetimeZone": "UTC+12:00",

```

```

"allocatedIp": "209.165.202.131",
"nrLocation": {
  "ncgi": {
    "mcc": "310",
    "mnc": "260",
    "nrCellId": "123456789"
  },
  "tai": {
    "mcc": "310",
    "mnc": "260",
    "tac": "1820"
  }
},
"alwaysOn": "None",
"dcnr": "None",
"wps": "Non-Wps Session",
"ratType": "NR",
"ueType": "NR Capable UE",
"sessTimeStamp": "2021-06-18 18:55:11.252750658 +0000 UTC",
"callDuration": "42.336122162s",
"commonId": 2097159,
"snssai": {
  "sd": "Abf123",
  "sst": 2
},
"authStatus": "Unauthenticated",
"roamingStatus": "Vistor HR",
"uePlmnId": {
  "mcc": "310",
  "mnc": "480"
}
},
"accessSubData": {
  "amfID": "AFbe08",
  "amfPlmnId": {
    "mcc": "310",
    "mnc": "260"
  },
  "ueCmStatus": "UeCMConnected",
  "amfNrfID": "76517361-338e-4d77-bc76-713a79779574",
  "epsInterworkingIndication": "WITHOUT_N26"
},
"policySubData": {
  "TotalFlowCount": 2,
  "TotalNonGBRFlows": 1,
  "TotalGBRFlows": 1,
  "qosFlow": [
    {
      "qfi": 1,
      "GBRFlow": "False",
      "bindingParameters": {
        "x5Qi": 5,
        "arp": {
          "preemptCap": "NOT_PREEMPT",
          "preemptVuln": "NOT_PREEMPTABLE",
          "priorityLevel": 1
        },
        "priorityLevel": 10,
        "maximumDataBurstVolume": 1,
        "averagingWindow": "2003"
      }
    },
    {
      "qfi": 4,

```

```

    "GBRFlow": "True",
    "bindingParameters": {
      "x5Qi": 4,
      "arp": {
        "preemptCap": "NOT_PREEMPT",
        "preemptVuln": "NOT_PREEMPTABLE",
        "priorityLevel": 1
      },
      "priorityLevel": 1,
      "maximumDataBurstVolume": 1,
      "averagingWindow": "1"
    },
    "AggregatedULGFbr": 10000000,
    "AggregatedDLGFbr": 10000000,
    "AggregatedULMFbr": 1000000000,
    "AggregatedDLMFbr": 1000000000,
    "ebi": 8
  }
],
"SessAmbrUl": 200000000,
"SessAmbrDl": 125000000
},
"chargingData": {
  "invSeqNo": 3,
  "pduChId": 2097159,
  "ccId": "0",
  "chargingIdRtgGrpMapInfo": {},
  "chTriggerInfo": {},
  "chThresholdInfo": {
    "sessthresholdInformation": {}
  },
  "startTime": "2021-06-18T18:55:11Z",
  "chargingDisabled": "false",
  "dropTraffic": "false",
  "profileName": "chgprf1",
  "accountingEnabled": "false",
  "n40ChargingEnabled": "true",
  "QbcProfileName": "qbc_maxlimit",
  "qbcChargingEnabled": "True",
  "roamingQbcInfo": {
    "qfiTh": {
      "volTh": 40000,
      "durTh": 90
    },
    "qfis": {
      "rgTriggerInfo": [
        {
          "triggerType": "QOS_CHANGE",
          "triggerCategory": "IMMEDIATE_REPORT",
          "triglevel": 2
        },
        {
          "triggerType": "TIME_LIMIT",
          "triggerCategory": "IMMEDIATE_REPORT",
          "triglevel": 2
        },
        {
          "triggerType": "VOLUME_LIMIT",
          "triggerCategory": "IMMEDIATE_REPORT",
          "triglevel": 2
        }
      ]
    }
  },
  "partialRecordMethod": "PartialRecordMethod_DEFAULT"
}

```

```

    },
    "qbcChargParam": [
      {
        "chargingId": "qfi1",
        "qfi": 1,
        "meteringMthd": "MeteringMethod_DURATION_VOLUME",
        "reportingParam": "True",
        "limitParam": "True",
        "parent": "True"
      },
      {
        "chargingId": "qfi4",
        "qfi": 4,
        "meteringMthd": "MeteringMethod_DURATION_VOLUME",
        "reportingParam": "True",
        "limitParam": "True",
        "parent": "True"
      }
    ],
    "chfGroupId": "CHF-dnn=intershat;",
    "fbcChargingEnabled": "False"
  },
  "upfServData": {
    "numberOfTunnels": 1,
    "smfSeid": 9007233406673128,
    "qerInfo": [
      {
        "qosId": "Sess#Level",
        "qerId": 1,
        "refcnt": 1
      },
      {
        "qosId": "BQE_1",
        "qerId": 2,
        "refcnt": 1
      },
      {
        "qosId": "BQE_4",
        "qerId": 4,
        "refcnt": 1
      }
    ],
    "urrInfo": [
      {
        "chargingId": "qfi1",
        "urrId": 18
      },
      {
        "chargingId": "qfi4",
        "urrId": 50
      }
    ],
    "mapping": {
      "tunnelMapping": [
        {
          "TunnelID": 1,
          "tunnelName": "gnbTunnel",
          "RemoteTeid": {
            "teID": 5555,
            "ipAddr": "209.165.200.242"
          }
        }
      ]
    }
  },
  },

```



```

    "upfSeid": "17293822569102704642",
    "TotalNumberOfPdrs": "4 (U1:2 D1:2)",
    "TotalNumberOfFars": 4,
    "TotalNumberOfQers": 3,
    "TotalNumberOfUrrs": 2
  }
}

```

Subscriber Session Details for Roaming-specific Information for vSMF

The **show subscriber supi *supi_id* psid *psid_value* summary** CLI command displays the detailed information about subscriber sessions for roaming-specific use case as vSMF.

```

[unknown] smf# show subscriber supi imsi-123456789012345 psid 5 summary
subscriber-details
{
  "status": true,
  "genericInfo": {
    "supi": "imsi-310480789012346",
    "pduSessionId": 5,
    "pduSesstype": "Ipv4PduSession",
    "accessType": "3GPP_ACCESS",
    "dnn": "intershat",
    "plmnId": {
      "mcc": "310",
      "mnc": "260"
    },
    "allocatedIp": "209.165.200.231",
    "ratType": "NR",
    "sessTimeStamp": "2021-06-18 18:55:11.252750658 +0000 UTC",
    "authStatus": "Unauthenticated",
    "roamingStatus": "Vistor HR",
    "uePlmnId": {
      "mcc": "310",
      "mnc": "480"
    }
  },
  "policySubData": {
    "TotalFlowCount": 2,
    "TotalNonGBRFlows": 1,
    "TotalGBRFlows": 1,
    "SessAmbrUl": 200000000,
    "SessAmbrDl": 125000000
  },
  "chargingData": {
    "chargingDisabled": "false",
    "dropTraffic": "false",
    "profileName": "chgprfl",
    "accountingEnabled": "false",
    "n40ChargingEnabled": "true",
    "QbcProfileName": "qbc_maxlimit",
    "qbcChargingEnabled": "True",
    "qbcChargParam": [
      {},
      {}
    ],
    "chfGroupId": "CHF-dnn=intershat;",
    "fbcChargingEnabled": "False"
  },
  "upfServData": {
    "smfSeid": 9007233406673128,

```

```

"qerInfo": [
  {
    "qosId": "Sess#Level",
    "qerId": 1,
    "refcnt": 1
  },
  {
    "qosId": "BQF_1",
    "qerId": 2,
    "refcnt": 1
  },
  {
    "qosId": "BQF_4",
    "qerId": 4,
    "refcnt": 1
  }
],
"urrInfo": [
  {
    "chargingId": "qfi1",
    "urrId": 18
  },
  {
    "chargingId": "qfi4",
    "urrId": 50
  }
],
"mapping": {
  "tunnelMapping": [
    {
      "TunnelID": 1,
      "tunnelName": "gnbTunnel",
      "RemoteTeid": {
        "teID": 5555,
        "ipAddr": "209.165.200.242"
      }
    }
  ]
},
"upfSeid": "17293822569102704642",
"TotalNumberOfPdrs": "4 (U1:2 D1:2)",
"TotalNumberOfFars": 4,
"TotalNumberOfQers": 3,
"TotalNumberOfUrrs": 2
}
}

```

Roamer UE Alerts

This section describes the alerts supported for roamer UEs. These alerts can be enhanced per RAT based or as per the intent of the end user.

In-roamer UE Failure Threshold Alert

Use the following example to configure alerts related to In-roamer UE Failure Threshold.

```

alerts rules group RoamerUEs
  rule In-Roamer_SR
    expression "sum by (namespace) (increase(sm_f_service_stats{app_name=\"smf\",
roaming_status=\"visitor-lbo\", rat_type!=\"\", status=\"Success\"}[5m])) / sum by (namespace)
(increase(sm_f_service_stats{app_name=\"smf\", roaming_status=\"visitor-lbo\", rat_type!=\"\",
status=\"attempted\"}[5m])) < 0.10"

```

```

severity major
type "Communications Alarm"
annotation summary
  value "This alert is fired when the percentage of successful InRoamer is lesser than
threshold"
  exit
exit

```

Out-roamer UE Failure Threshold Alert

Use the following example to configure alerts related to Out-roamer UE Failure Threshold.

```

rule Radius_Acct_Release_SR
  rule Out-Roamer_SR
    expression "sum by (namespace) (increase(smf_service_stats{app_name=\"smf\",
roaming_status=\"roamer\", rat_type!=\"\", status=\"Success\"}[5m])) / sum by (namespace)
(increase(smf_service_stats{app_name=\"smf\", roaming_status=\"roamer\", rat_type!=\"\",
status=\"attempted\"}[5m])) < 0.10"
    severity major
    type "Communications Alarm"
    annotation summary
      value "This alert is fired when the percentage of successful InRoamer is lesser than
threshold"
      exit
exit

```

Roamer UE Bulk Statistics

Use the following SMF service bulk statistics to monitor the failures or issues associated with Roamer UEs.

Table 14: Roamer UE

Bulk Statistics Name	Query	Description
4G_In-Roamers_Attempted	bulk-stats query 4G_In-Roamers_Attempted expression "sum(smf_service_stats {roaming_status='visitor-lbo', status='attempted',rat_type='EUTRA'}) by (namespace)" exit	
4G_In-Roamers_Success	bulk-stats query 4G_In-Roamers_Success expression "sum(smf_service_stats {roaming_status='visitor-lbo', status='success',rat_type='EUTRA'}) by (namespace)" exit	
4G_Out-Roamers_Attempted	bulk-stats query 4G_Out-Roamers_Attempted expression "sum(smf_service_stats {roaming_status='roamer', status='attempted',rat_type='EUTRA'}) by (namespace)" exit	
4G_Out-Roamers_Success	bulk-stats query 4G_Out-Roamers_Success expression "sum(smf_service_stats {roaming_status='roamer', status='success',rat_type='EUTRA'}) by (namespace)" exit	
5G_In-Roamers_Attempted	bulk-stats query 5G_In-Roamers_Attempted expression "sum(smf_service_stats {roaming_status='visitor-lbo', status='attempted',rat_type='NR'}) by (namespace)" exit	
5G_In-Roamers_Success	bulk-stats query 5G_In-Roamers_Success expression "sum(smf_service_stats {roaming_status='visitor-lbo', status='success',rat_type='NR'}) by (namespace)" exit	

Bulk Statistics Name	Query	Description
5G_Out-Roamers_Attempted	bulk-stats query 5G_Out-Roamers_Attempted expression "sum(smf_service_stats {roaming_status='roamer', status='attempted',rat_type='NR'}) by (namespace)" exit	
5G_Out-Roamers_Success	bulk-stats query 5G_Out-Roamers_Success expression "sum(smf_service_stats {roaming_status='roamer', status='success',rat_type='NR'}) by (namespace)" exit	
WiFi_In-Roamers_Attempted	bulk-stats query WiFi_In-Roamers_Attempted expression "sum(smf_service_stats {roaming_status='visitor-lbo', status='attempted',rat_type='WLAN'}) by (namespace)" exit	
WiFi_In-Roamers_Success	bulk-stats query WiFi_In-Roamers_Success expression "sum(smf_service_stats {roaming_status='visitor-lbo', status='success',rat_type='WLAN'}) by (namespace)" exit	
WiFi_Out-Roamers_Attempted	bulk-stats query WiFi_Out-Roamers_Attempted expression "sum(smf_service_stats {roaming_status='roamer', status='attempted',rat_type='WLAN'}) by (namespace)" exit	
WiFi_Out-Roamers_Success	bulk-stats query WiFi_Out-Roamers_Success expression "sum(smf_service_stats {roaming_status='roamer', status='success',rat_type='WLAN'}) by (namespace)" exit	

Roaming Error Logs

This section provides the basic error conditions and logs that are captured to debug the failures for the roaming feature.

PLMN Validation Failure

The following example displays the error log for PLMN validation failure resulting into setting the roaming status as "none".

```
2021/01/06 15:25:18.630 smf-service [DEBUG] [genericinfo.go:1597]
[smf-service.smf-app.subscriber] Set roaming status to 0
2021/01/06 15:25:18.630 smf-service [DEBUG] [genericinfo.go:2317]
[smf-service.smf-app.subscriber] Subscriber is %!s(uint32=0)
2021/01/06 15:25:18.630 smf-service [ERROR] [genericinfo.go:1082]
[smf-service.smf-app.subscriber] PLMN validation failed
2021/01/06 15:25:18.630 smf-service [DEBUG] [subscriber_policy_config.go:187]
[misc-lib.config.subscriber-policy] LookupParameters - {imsi-123456789012345
msisdn-223310101010101 imei-123456786666660 0 123 456 intershat}
```

Homer UE Status (Homer)

The following is an example of the generic logs for UE Roaming Status.

```
2021/01/06 15:04:39.146 smf-service [DEBUG] [genericinfo.go:1597]
[smf-service.smf-app.subscriber] Set roaming status to 1
2021/01/06 15:04:39.146 smf-service [DEBUG] [genericinfo.go:2317]
[smf-service.smf-app.subscriber] Subscriber is %!s(uint32=1)
2021/01/06 15:04:39.146 smf-service [DEBUG] [subscriber_policy_config.go:187]
```

```
[misc-lib.config.subscriber-policy] LookupParameters - {imsi-123456789012345 msisdn-9999988888  
imei-352099001761480 Abf123 2 310 310 intershat}
```

Out-roamer UE Status (Roamer)

The following is an example of the generic logs for out-roamer UE status.

```
2021/01/06 16:11:02.710 smf-service [DEBUG] [genericinfo.go:1597]  
[smf-service.smf-app.subscriber] Set roaming status to 4  
2021/01/06 16:11:02.710 smf-service [DEBUG] [genericinfo.go:2317]  
[smf-service.smf-app.subscriber] Subscriber is %!s(uint32=4)  
2021/01/06 16:11:02.710 smf-service [DEBUG] [subscriber_policy_config.go:187]  
[misc-lib.config.subscriber-policy] LookupParameters - {imsi-123456789012345
```

In-roamer UE Status (Visitor LBO)

The following is an example of the generic logs for in-roamer UE status.

```
2021/01/06 15:54:32.323 smf-service [DEBUG] [genericinfo.go:1597]  
[smf-service.smf-app.subscriber] Set roaming status to 2  
2021/01/06 15:54:32.323 smf-service [DEBUG] [genericinfo.go:2317]  
[smf-service.smf-app.subscriber] Subscriber is %!s(uint32=2)  
2021/01/06 15:54:32.323 smf-service [DEBUG] [subscriber_policy_config.go:187]  
[misc-lib.config.subscriber-policy] LookupParameters - {imsi-123456789012345  
msisdn-22331010101010101 imei-123456786666660 0 310 310 intershat}
```

