



# SCTP Multihoming and Stack Parameters Support

- [Feature Summary and Revision History, on page 1](#)
- [Stream Control Transmission Protocol \(SCTP\) Multihoming, on page 2](#)
- [SCTP Multihoming and Stack Parameters Support, on page 3](#)

## Feature Summary and Revision History

### Summary Data

*Table 1: Summary Data*

Applicable Product(s) or Functional Area	AMF
Applicable Platform(s)	SMI
Feature Default Setting	Enabled - Always-on
Related Documentation	Not Applicable

### Revision History

*Table 2: Revision History*

Revision Details	Release
The following enhancements were introduced: <ul style="list-style-type: none"><li>• Support to configure SCTP stack parameters.</li><li>• Support for multiple SCTP and protocol pod pairs</li><li>• Support for show SCTP peers CLI</li></ul>	2022.01.0
First introduced.	2020.03.0

# Stream Control Transmission Protocol (SCTP) Multihoming

Stream Control Transmission Protocol (SCTP) is a message-oriented, reliable, transport protocol. SCTP directly supports multihoming transport protocol that runs on top of an IP network. SCTP used as a protocol with pods, services, and network policy.

Multihoming is the ability of an SCTP association to support multiple IP paths to its peer endpoint.

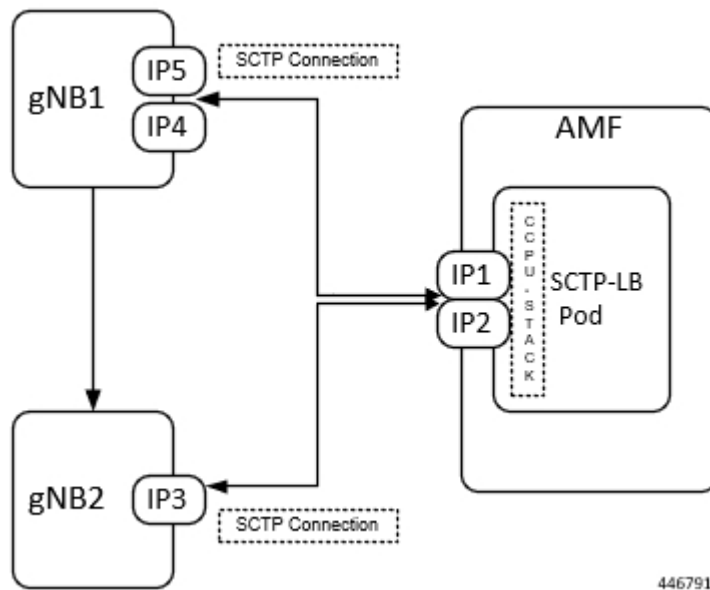
## Feature Description

AMF supports a single SCTP pod (single instance) for SCTP multihoming, where the SCTP stack comes up with a list of supported host IPs. As part of the association formation, the association ID corresponds to the list of IPs, instead of a single IP.

The stack also supports multihoming for one-to-many and many-to-many connections. This support continues until any of IPs are available on either side of the SCTP end points (AMF and gNB). At the same time, traffic over multiple IPs is also possible.

The following figure represents the support structure for SCTP Multihoming:

**Figure 1: SCTP Multihoming Support**



Based on the represented figure, the following SCTP associations are formed:

1. Association ID – 0 [ {IP1, IP2}, {IP4, IP5} ]
2. Association ID – 1 [ {IP1, IP2}, {IP3} ]

## Limitations

The SCTP multihoming feature has the following limitations:

- Currently not supported:
  - Dynamic addition or removal of IPs from the multihoming configuration without the pod restart
  - Dynamic service config delete and also dynamic IP change
- Currently observed and recommended:
  - If both member of the pair goes down, there's no redundancy.
  - Even though multiple protocol pairs are supported, there's a limitation with multiple protocol pairs. As a best practice, recommended to configure only one protocol pod pair.
  - One gNB can have only one association with AMF. Multiple associations with same gNB aren't supported.

## SCTP Multihoming and Stack Parameters Support

This section describes support for the following features:

- SCTP Configurable Stack Parameters
- Multiple SCTP and Protocol Pod Pairs

### Feature Description

Before implementing this feature, AMF needs separate deployment of the following five namespaces for scalability. Each AMF namespace supports the following:

- A pair of SCTP pods (active-standby)
- A pair of Protocol pods (active-standby)
- Extra pods getting deployed on Ops Center and ETCD

A single AMF namespace supports and deploys multiple SCTP pods and protocol pods. SCTP pods support multihoming and some SCTP stack-related parameters are configurable.

#### SCTP Configurable Stack Parameters

SCTP uses the multihomed host to provide fast failover and associated endurance during hardware failures. Using the associated parameters, the following activities are supported:

- Creating and customizing the required stack
- Configuring the resources by modifying the parameter values, which are later used in the stack template.
- No need to enter hardcoded values in multiple templates to specify different settings.

#### Multiple SCTP and Protocol Pod Pairs

Pods are tagged with one or more labels. The labels are later used to select and manage groups of pods in a single operation. The labels are stored in a key-value format in the metadata hash.

## How it Works

This section describes how this feature works.

### Multihoming Support

Supports multiple IP addresses for the SCTP stack.

### Multiple SCTP and Protocol Pod Pairs

In a single AMF namespace, multiple SCTP pairs can be configured. This way on same AMF, SCTP pods can be scaled up, as per the requirement.

### Configurable SCTP Endpoint Stack Parameter

Provides the option to configure multiple SCTP Endpoint stack parameters which includes the following:

- RTO
- Association
- Sack
- MTU Size

## Feature Configuration

Configuring this feature includes the following steps:

- Configuring Multiple SCTP and Protocol Pod Pairs
- Configuring SCTP Endpoint Parameters

### Configuring Multiple SCTP and Protocol Pod Pairs

To configure multiple SCTP and Protocol pod pairs use the following configuration:

```
config
  instance instance_id instance_id
  endpoint endpoint_name
  replicas replicas_per_node
  service service_name
    interface interface_name instancetype instance_type
    internal-port internal_port_config
    vip-ip ip_address vip-port port_number
    offline vip-interface vip_interface_name
    vip-ip6 ip_address vip-ipv6-port port_number
    offline vip-interface
  end
```

#### NOTES:

- **instance instance\_id instance\_id**—Specify the endpoint instance ID. Must be an integer in the range of 1-4.

- **endpoint** *endpoint\_name*—Specify the endpoint name.




---

**Note** In this release, it is recommended not to configure any service under NGAP. Currently, only one service can be configured under NGAP.

---

- **replicas** *replicas\_per\_node*—Specify the number of replicas per node.
- **service** *service\_name*—Specify the service name.
- **interface** *interface\_name*—Specify the endpoint interfaces, as the name of the SCTP in this multiple SCTP configuration. **sctp-1-sctp-primary** is an example.
- **instancetype** *instance\_type*—Specify the instance type. Must be one of the following:
  - Dual
  - IPv4
  - IPv6

The default value is Dual.

- **internal-port** *internal\_port\_config*—Specify the internal base-port to start the endpoint. It includes your required internal-ports and their ID from the list of available ports.
  - **admin**—Admin port for SCTP. The default value is 7879.
  - **ipc**—IPC port for SCTP. The default value is 9005.
  - **keepalived**—keepalived port for SCTP. The default value is 29000.
  - **metrics**—metrics port for SCTP. The default value is 7083.
  - **pprof**—pprof port for SCTP. The default value is 7850.




---

**Note** It is mandatory to configure the internal-ports CLI when more than one SCTP service is configured or more than one AMF is deployed on the same k8 cluster.

---

- **vip-ip** *ip\_address* **vip-port** *port\_number* **offline**—Specify the IPv4 address of the pod on which the VIP is enabled. Also, specify the interface and port number. This configuration marks vip-ip as offline or standby.




---

**Note** When AMF receives SCTP INIT from IPv4 address and no address is included in INIT chunk address list, AMF responds with all IPv4 and IPv6 addresses in SCTP INIT\_ACK.

---

- **vip-interface** *vip\_interface\_name* —Specify the VIP interface and port number. This configuration marks **vip-ip** as offline or standby.




---

**Note** To support multi-homing, AMF listens on multiple IP address as configured. Currently, AMF uses VIP to support high availability of SCTP pods. For multi-homing, multiple VIP addresses should be configured.

It is recommended to use different physical interfaces for each different VIP so that AMF can have different routes for each VIP address.

---

- **vip-ipv6** *ip\_address* **vip-ipv6-port** *port\_number*—Specify the new IPv6 address and port number.




---

**Note** When AMF receives SCTP INIT from IPv6 address and no address is included in INIT chunk address list, AMF respond with only IPv6 addresses in SCTP INIT\_ACK.

---

After the VIP-IP and VIP-Ports are up, modify the gNBs configuration to refer to the new VIP-IP and port.

### Configuration Example

The following is an example configuration.

- CLI at endpoint level: If more than one AMF is deployed in same cluster with one single SCTP service.

```
config
  instance instance-id 1
  endpoint sctp
    replicas 2
    internal-port metrics 9705 admin 9703 ipc 9701 pprof 9707 keepalived 29001
    vip-ip 209.165.201.15 vip-port 1000
  end
```

- CLI at SCTP service level: If more than one SCTP service is configured.

```
config
  instance instance-id 1
  endpoint sctp
    replicas 2
    nodes 2
    parameters mtu-size 1500
    service sctp-1 interface sctp instancetype Dual
      internal-port metrics 9705 admin 9703 ipc 9701 pprof 9707 keepalived 29001
      vip-ip 209.165.201.15 vip-port 1000
    service sctp-2 interface sctp instancetype Dual
      internal-port metrics 9715 admin 9713 ipc 9711 pprof 9717 keepalived 29011
      vip-ip 209.165.201.16 vip-port 1000
  end
```

### Configuration Verification

To verify the configuration:

```
show running-config instance
```

## Configuring SCTP Endpoint Parameters

To configure the SCTP endpoint parameters, use the following configuration:

```

config
  instance instance_id instance_id
  endpoint endpoint_name
    replicas number_of_nodes
      parameters rto initial rto_initial
      parameters rto min rto_min
      parameters rto max rto_max
      parameters association valid-cookie-life valid_cookie_life
      parameters association heartbeat-interval heartbeat_interval
      parameters association path-max-retry-count path_max_retry_count
      parameters sack sack-period sack_period
      parameters sack sack-frequency sack_frequency
      parameters mtu-size mtu_size
    end

```

### NOTES:

- **instance** *instance\_id*—Specify the endpoint instance ID. Must be an integer in the range of 1-4.
- **endpoint** *endpoint\_name*—Specify the endpoint as SCTP.
- **replicas** *number\_of\_nodes*—Specify the number of node replicas that must be configured for resiliency. The minimum or default value is 2.
- **parameters**—SCTP tuning parameters.
- **rto**—Retransmission timeout parameters.
- **association**—Association parameters.
- **mtu-size**—Maximum SCTP fragment or MTU size for data packets.
- **sack**—Configures the way delayed SACKs are performed.
- **initial** *rto\_initial*—Specify the initial timeout in milliseconds. Must be an integer in the range of 100-60000. The default value is 3000.
- **min** *rto\_min*—Specify the minimum timeout in milliseconds. Must be an integer in the range of 100-60000. The default value is 1000.
- **max** *rto\_max*—Specify the maximum timeout in milliseconds. Must be an integer in the range of 100-60000. The default value is 60000.
- **valid-cookie-life** *valid\_cookie\_life*—Specify the cookie life in milliseconds. Must be an integer in the range of 5000-120000. The default value is 60000.
- **heartbeat-interval** *heartbeat\_interval*—Specify the heartbeat interval in milliseconds. Setting the value to zero, disables the heartbeat. Must be an integer in the range of 0-60000. The default value is 30000.
- **path-max-retry-count** *path\_max\_retry\_count*—Specify the path maximum retry count. Must be an integer in the range of 0-20. The default value is 5.



**Note** When single path/IP address is available, **path-max-retry-count** parameter defines maximum number of retransmissions of the DATA packets before the address is marked unreachable by sending ABORT (when only single path).

When multiple paths/IP addresses are available, **path-max-retry-count** parameter is not applicable. The parameter checks only for DATA packet and not HEARTBEAT packet sent in SCTP.

It is recommended not to change **path-max-retry-count** parameter value and use the default value.

- **sack-period** *sack\_period*—Specify the delayed sack time in milliseconds. Must be an integer in the range of 200-500. The default value is 200.



**Note** This parameter is effective when no data packets are flowing.

- When no data packets are flowing, separate SACK message is sent to acknowledge the data to the sender.
- If data packets are already flowing, then SACK is sent along with the data.

- **sack-frequency** *sack\_frequency*—Specify the delayed SACK frequency. Must be an integer in the range of 1-5. The default value is 2.



**Note** Changing the frequency to 1, disables the delayed SACK algorithm.

This parameter is effective when no data packets are flowing.

- When no data packets are flowing, separate SACK message is sent with all TSNs in one SACK message to acknowledge the data to the sender.
- If data packets are already flowing, then SACK is sent along with the data.

- **mtu-size** *mtu\_size*—Specify the MTU size for the data packet. Must be an integer in the range of 512-1500. The default value is 1452.

## Configuration Example

The following is an example configuration.

```
config
  instance 1
  endpoint sctp
    replicas 2
    parameters rto initial 30
    parameters rto min 10
    parameters rto max 600
    parameters association valid-cookie-life 60000
    parameters association heartbeat-interval 30000
    parameters association path-max-retry-count 5
```



```
parameters sack sack-period 2000
parameters sack sack-frequency 2
parameters mtu-size 1500
end
```

### Configuration Verification

To verify the configuration:

```
show running-config instance
```

