



Cisco Catalyst IW9165D Heavy Duty Access Point Hardware Installation Guide

First Published: 2023-11-01

Last Modified: 2024-01-04

Americas Headquarters

Cisco Systems, Inc.
170 West Tasman Drive
San Jose, CA 95134-1706
USA
<http://www.cisco.com>
Tel: 408 526-4000
800 553-NETS (6387)
Fax: 408 527-0883



CONTENTS

PREFACE

Preface	vii
About this Guide	vii
Conventions	vii
Related Documentation	viii
Communications, Services, and Additional Information	viii
Cisco Bug Search Tool	viii
Documentation Feedback	viii

CHAPTER 1

About Cisco Catalyst IW9165D Heavy Duty Access Point	1
Introduction to Cisco Catalyst IW9165D Heavy Duty Access Point	1
Cisco Catalyst IW9165D Heavy Duty Access Point Features	1
Connectors and Ports	2
4-Pin Micro-Fit Connector for DC Power	4
M12-RJ45 Adapter	5
M12-PWR Adapter	6
Power Sources	7
Power Adapters	7
Power Injectors	7
Ethernet (PoE) Ports	7
Antennas and Radios	8
Supported External Antennas	8
IW9165D (Internal Antenna) Radiation Patterns	10

CHAPTER 2

Unpacking Your Access Point	11
Package Contents	11
Unpacking the Access Point	11

Cisco Orderable Accessories 11

CHAPTER 3**Installation Overview 15**

Preinstallation Checks and Installation Guidelines 15

Mounting the Access Point 16

Wall Mounting the Access Point with the Fixed Mounting Kit 17

Pole Mounting the Access Point with the Tilttable Mounting Kit 20

Installing a Lightning Arrestor 22

Lightning Arrestor Installation Notes 23

Grounding the Access Point 24

Powering the Access Point 26

Power Feature Matrix 26

Connecting a Power Injector 26

Connecting to the DC Power Port Using Cable Gland 27

Connecting DC Power Port Using M12 Adapter 28

Connecting an Ethernet Cable to the Access Point 30

Connecting to the RJ-45 Port Using Cable Gland 30

Connecting to the RJ-45 Port Using M12 Adapter 32

CHAPTER 4**Troubleshooting 35**

Checking the Access Point LEDs 35

Using the Reset Button 36

CHAPTER 5**Safety Guidelines and Warnings 37**

Safety Instructions 37

FCC Safety Compliance Statement 38

Safety Precautions 38

Safety Precautions when Installing Antennas 39

Avoiding Damage to Radios in a Testing Environment 39

Performing Site Surveys 40

CHAPTER 6**Declarations of Conformity and Regulatory Information 43**

Manufacturers Federal Communications Commission Declaration of Conformity Statement 43

Operation of Cisco Catalyst Access Points in México 44

VCCI Statement for Japan	44
Statement 191—Voluntary Control Council for Interference (VCCI) Class A Warning for Japan	44
ステートメント 191—日本向け VCCI クラス A に関する警告	45
Guidelines for Operating Cisco Catalyst Access Points in Japan	45
Compliance Statement for Canada	46
Industry Canada	46
European Community, Switzerland, Norway, Iceland, and Liechtenstein	47
United Kingdom Compliance	47
Declaration of Conformity for RF Exposure	48
Generic Discussion on RF Exposure	48
This Device Meets International Guidelines for Exposure to Radio Waves	48
This Device Meets FCC Guidelines for Exposure to Radio Waves	49
This Device Meets the Industry Canada Guidelines for Exposure to Radio Waves	49
Cet appareil est conforme aux directives internationales en matière d'exposition aux fréquences radioélectriques	50
Additional Information on RF Exposure	50
Declaration of Conformity Statements	50



Preface

This preface describes this guide and provides information about the conventions used in this guide, and related documentation.

It includes the following sections:

- [About this Guide, on page vii](#)
- [Conventions, on page vii](#)
- [Related Documentation, on page viii](#)
- [Communications, Services, and Additional Information, on page viii](#)

About this Guide

This guide provides instructions to install your Cisco Access Point and provides links to resources that can help you configure it. This guide also provides mounting instructions and troubleshooting information.

Conventions

This document uses the following conventions for notes, cautions, and safety warnings. Notes and cautions contain important information that you should know.



Note Means *reader take note*. Notes contain helpful suggestions or references to material not covered in the manual.



Caution Means *reader be careful*. Cautions contain information about something you might do that could result in equipment damage or loss of data.



Warning Safety warnings appear throughout this guide in procedures that, if performed incorrectly, can cause physical injuries. A warning symbol precedes each warning statement.

Related Documentation

All user documentation for the Cisco Catalyst IW9165D Heavy Duty Access Point is available at the following URL:

<https://www.cisco.com/c/en/us/support/wireless/catalyst-iw9165d-heavy-duty-access-point/model.html>

Communications, Services, and Additional Information

- To receive timely, relevant information from Cisco, sign up at [Cisco Profile Manager](#).
- To get the business impact you're looking for with the technologies that matter, visit [Cisco Services](#).
- To submit a service request, visit [Cisco Support](#).
- To discover and browse secure, validated enterprise-class apps, products, solutions, and services, visit [Cisco DevNet](#).
- To obtain general networking, training, and certification titles, visit [Cisco Press](#).
- To find warranty information for a specific product or product family, access [Cisco Warranty Finder](#).

Cisco Bug Search Tool

[Cisco Bug Search Tool](#) (BST) is a gateway to the Cisco bug-tracking system, which maintains a comprehensive list of defects and vulnerabilities in Cisco products and software. The BST provides you with detailed defect information about your products and software.

Documentation Feedback

To provide feedback about Cisco technical documentation, use the feedback form available in the right pane of every online document.



CHAPTER 1

About Cisco Catalyst IW9165D Heavy Duty Access Point

- [Introduction to Cisco Catalyst IW9165D Heavy Duty Access Point, on page 1](#)
- [Cisco Catalyst IW9165D Heavy Duty Access Point Features, on page 1](#)
- [Connectors and Ports, on page 2](#)
- [Power Sources, on page 7](#)
- [Antennas and Radios, on page 8](#)

Introduction to Cisco Catalyst IW9165D Heavy Duty Access Point

The Cisco Catalyst IW9165D Heavy Duty Access Point (hereafter referred to as *IW9165D*) is designed to make wireless backhaul deployment simple. It comes with a built-in directional antenna that enables long-range, high-throughput connectivity anywhere fiber is not an option, so you can create a fixed wireless infrastructure (point-to-point, point-to-multipoint, and mesh) as well as backhaul traffic from mobile devices along wayside or trackside deployments. The external antenna ports let you quickly extend your network to new places when needed and choose the right antenna based on the use cases and deployment architectures. With heavy-duty IP67 design, the IW9165D is certified to operate under wet, dusty, and extreme temperature conditions.

The IW9165D runs [Cisco Ultra-Reliable Wireless Backhaul \(Cisco URWB\)](#), which delivers high availability, low latency, and zero packet loss with seamless handoffs. Cisco URWB is ideal for connecting moving assets or extending your network where running fiber isn't feasible or affordable.

A full listing of the AP's features and specifications is provided in the [Cisco Catalyst IW9165 Series Data Sheet](#).

Cisco Catalyst IW9165D Heavy Duty Access Point Features

The Cisco Catalyst IW9165D Heavy Duty Access Point has the following features:

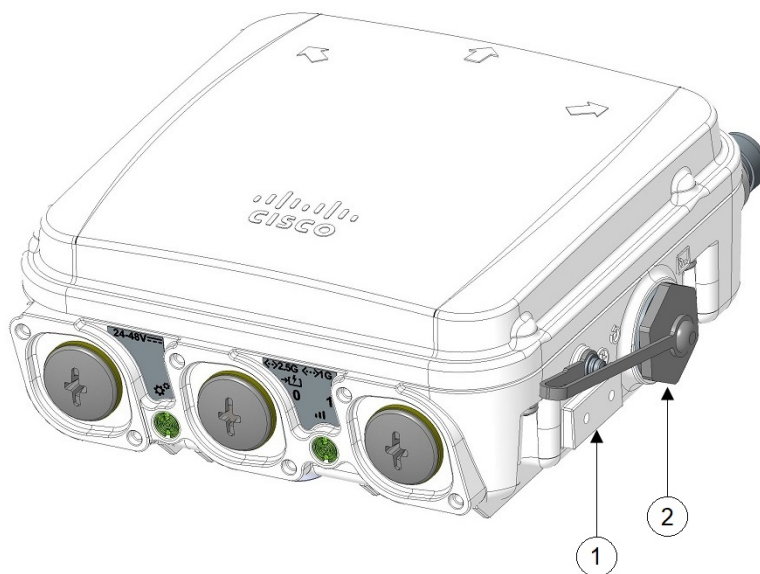
- 1x 100M/1000M/2.5G Multigigabit Ethernet (RJ45)/M12 X-code autosensing PoE+ in (802.3af/at), Cisco UPOE in
- 1x 100M/1000M/1G (RJ45)
- Dual-radio architecture
 - 5-GHz 2x2 radio: 20, 40, and 80 MHz channels

- 5/6-GHz 2x2 radio: 20, 40, 80, and 160 MHz channels (6 GHz availability subject to country approvals)
- External antenna—2 x N-type
- Integrated antenna—Built-in directional antennas
 - Peak gain 15 dBi, internal antenna, dual polarization, azimuth beamwidth 30 deg, elevation beamwidth 30 deg, frequency: 4900 to 5925 MHz
 - BLE antenna gain: 5.5 dBi max, internal antenna, linear polarization, omnidirectional
- 1x TNC GNSS antenna port
- Management console port (RJ45)
- Dual power input—PoE-in 802.3af, 802.3at (PoE+), and 24-48VDC
- Dual mounting options—Pole and wall mount
- IP67, heavy-duty design
- Multicolor system LED
- Reset button

Connectors and Ports

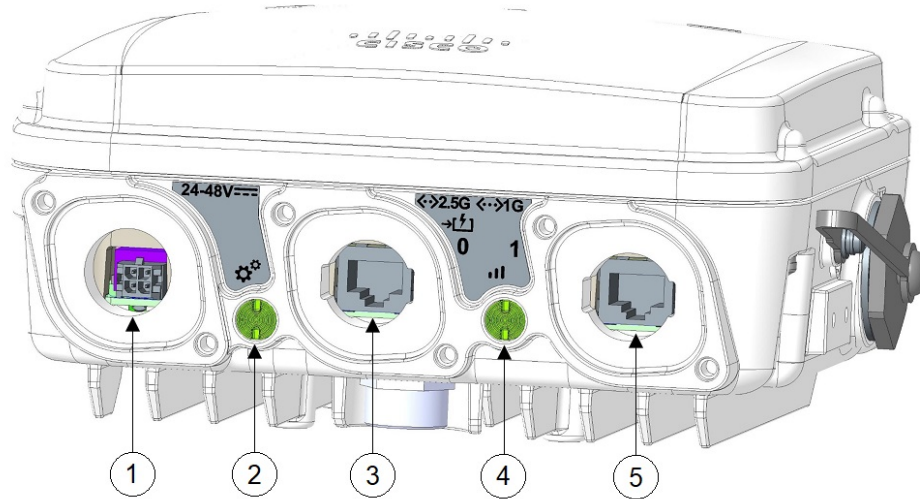
The following figures show the available ports on the AP.

Figure 1: IW9165D Right-Side Connectors and Ports



1	Ground connection point	2	Console port (RJ-45) and reset button
---	-------------------------	---	---------------------------------------

Figure 2: IW9165D Fron Panel Connectors and Ports



1	DC power input / M12 A-code	2	System status LED
3	100M/1000M/2.5G Multigigabit Ethernet (RJ45) / M12 X-code autosensing PoE+ in (802.3af/at), Cisco UPOE in	4	RSSI LED
5	100M/1000M/1G (RJ45) / M12 X-code		

Figure 3: IW9165D Top Connectors and Ports



1	Port 1 Supports 5/6 GHz radio in 2x2 mode.	3	Port 3 Supports 5/6 GHz radio in 2x2 mode. Supports SIA.
2	Port 2 GNSS port		

4-Pin Micro-Fit Connector for DC Power

The following figures show the 4-pin Micro-Fit connector for DC power.

Figure 4: Mating Connector: Molex Micro-Fit 43025-0400

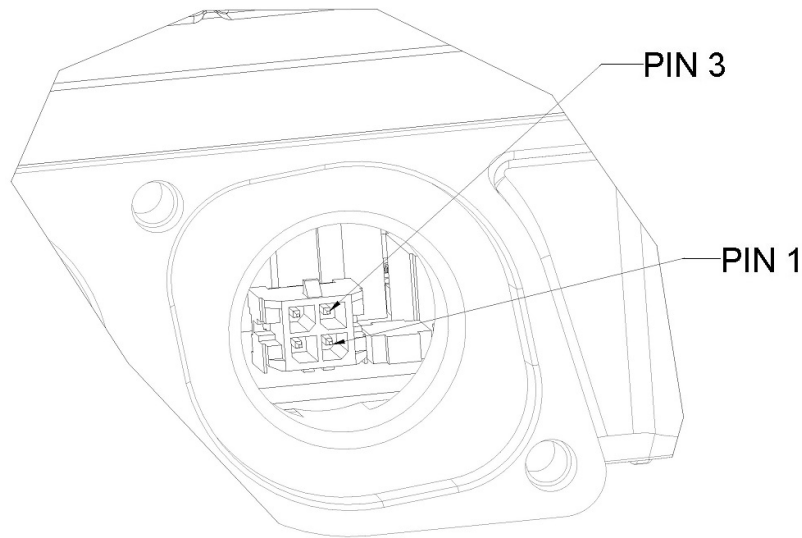
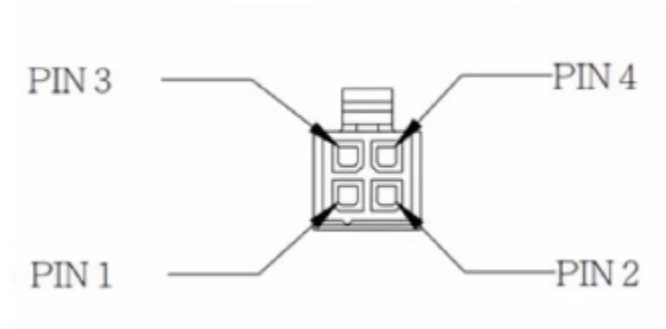


Figure 5: Mating Connector Front View



Molex Micro-Fit Pin	Assignment
Pin 1	Black (- Negative Terminal)
Pin 2	Not assigned
Pin 3	White (+ Positive Terminal)
Pin 4	Not assigned

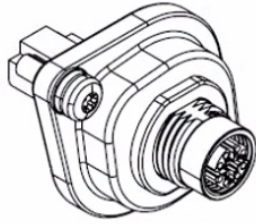
M12-RJ45 Adapter

M12-RJ45 adapter (Cisco PID: IW-ACC-M12ETH=) can be used to support M12 X-coded connector.



Note M12 X-code port by using M12-RJ45 adapter can support up to 2.5G rate.

Figure 6: M12-RJ45 Adapter (Cisco PID: IW-ACC-M12ETH=)



The following table shows the M12-RJ45 adapter pinouts.

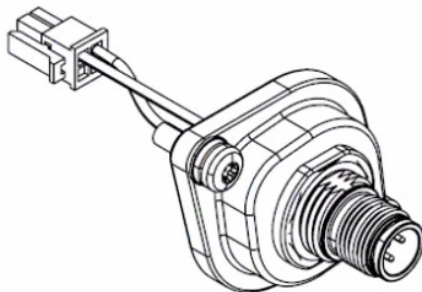
Table 1: M12-RJ45 Pinouts

RJ45	Signal	M12 X-Code
1	B1_DA+	1
2	B1_DA-	2
3	B1_DB+	3
6	B1_DB-	4
7	B1_DD+	5
8	B1_DD-	6
5	B1_DC-	7
4	B1_DC+	8

M12-PWR Adapter

M12-PWR adapter (Cisco PID: IW-ACC-M12PWR=) can be used to support M12 A-coded DC power connector.

Figure 7: M12-PWR Adapter (Cisco PID: IW-ACC-M12PWR=)



The following table shows the M12-PWR adapter pinouts.

Table 2: M12-PWR Pinouts

Micro-FIT 4P	Wire	M12 A-Code
3	RED (22 AWG)	1
2	N/C	2
1	BLACK (22 AWG)	3
4	N/C	4

Power Sources

The IW9165D is supported on these power sources:

- DC power: 24 to 48 VDC
- Power over Ethernet (PoE): 802.3af (PoE), 802.3at (PoE+), Cisco Universal PoE (Cisco UPOE).

Power Adapters

The IW9165D supports the following DC power adapters:

- PID: IW-PWRADPT-MFIT4P=: Operating: -40°C to +65°C, 60W.

Power Injectors

The IW9165D supports the following power injectors:

- IW-PWRINJ-60RGDMG=: Operating: -40°C to +70°C. Power derating of 60W at 70°C, and 65W at 65°C. Supports 100M/1G/2.5G/5G/10G rates.



Caution When the AP is installed outdoors or in a wet or damp location, the AC branch circuit powering the AP should be provided with ground fault protection (GFCI), as required by Article 210 of the National Electrical Code (NEC).

Ethernet (PoE) Ports

The AP supports an Ethernet uplink port (also for PoE-IN). The Ethernet uplink port on the AP uses an RJ-45 connector (with weatherproofing) to link the AP to the 100BASE-T, 1000BASE-T, or 2.5G BASE-T network. The Ethernet cable is used to send and receive Ethernet data and optionally supply inline power from the power injector or a suitably powered switch port.



Tip The AP senses the Ethernet and power signals, and automatically switch internal circuitry to match the cable connections.

The Ethernet cable must be a *shielded*, outdoor rated, Category 5e (CAT 5e) or better cable. The AP senses the Ethernet and power signals and automatically switches internal circuitry to match the cable connections.

Antennas and Radios

The Cisco Catalyst IW9165D Heavy Duty Access Point configuration is:

- IW9165DH-x

The IW9165D access point has two N-type female connectors to support multiple antenna options, such as the self-identifying antennas (SIA) on designated SIA port, dual-band antennas, and single-band antennas. To see the list of supported antennas and the radio bands they operate at, see [Supported External Antennas, on page 8](#).

The IW9165D is also equipped with an internal directional antenna. For more information, see [IW9165D \(Internal Antenna\) Radiation Patterns, on page 10](#).

Supported External Antennas

See [Connectors and Ports, on page 2](#) for the antenna ports of the IW9165D access point.

Supported Antennas

The following table shows the external antennas supported by IW9165D.

Table 3: Supported Antennas

PID	Antenna Gain (dBi)			Connector	Antenna Name
	2.4 GHz	4.9 GHz	5 GHz		
IW-ANT-PNL-59-N=	—	—	9	N female (x2)	5 GHz Dual-Port Dual-Slant +/-45 Degree Polarized Directional Panel Antenna
IW-ANT-PNL-515-N=	—	15	15	N female (x2)	Cisco 5 GHz 15 dBi Dual-Port Polarization Diverse Directional Panel Antenna
IW-ANT-OMV-2567-N=	4	7	7	N male	2.4/5 GHz Tri-Band Omnidirectional Dipole Antenna, Vertically Polarized, Self-Identifying
IW-ANT-OMH-2567-N=	4	7	7	N male	2.4/5 GHz Tri-Band Omnidirectional Dipole Antenna, Horizontally Polarized, Self-Identifying

PID	Antenna Gain (dBi)			Connector	Antenna Name
AIR-ANT2547V-N=	4	—	7	N male	Cisco Aironet Dual-Band Omnidirectional Dipole Antenna (White)
AIR-ANT2547VG-N=	4	—	7	N male	Cisco Aironet Dual-Band Omnidirectional Dipole Antenna (Gray)
AIR-ANT2547VG-NS=	4	—	7	N male	Cisco Aironet Dual-Band Omnidirectional Dipole Antenna (Gray), Self-Identifying
AIR-ANT2568VG-N=	6	—	8	N male	Cisco Aironet Dual-Band Omnidirectional Dipole Antenna (Gray)
AIR-ANT2568VG-NS=	6	—	8	N male	Cisco Aironet Dual-Band Omnidirectional Dipole Antenna (Gray), Self-Identifying
AIR-ANT5180V-N=	—	7	8	N male	Cisco Aironet 5 GHz 8 dBi Omnidirectional Dipole Antenna
AIR-ANT5114P2M-N=	—	—	13	N male (x2)	Cisco Aironet 5 GHz 13 dBi Dual-Port Dual-Polarized Directional Panel Antenna

For installation instructions and detailed information on any of these antennas, refer to the antenna data sheet on Cisco.com, or see the antenna guides at:

- [Cisco Industrial Routers and Industrial Wireless Access Points Antenna Guide](#)
- <http://www.cisco.com/c/en/us/support/wireless/aironet-antennas-accessories/products-installation-guides-list.html>

Follow all safety precautions when installing the antennas. For information on safety, see [Safety Precautions when Installing Antennas](#), on page 39.

Supported GNSS Antenna

The following table shows the external GNSS antennas supported by IW9165D.

Table 4: Supported GNSS Antenna

PID	Frequencies Supported	Connector	Description
ANT-GNSS-OUT-TNC=	1560 - 1608 MHz	TNC male	Outdoor Active GNSS Antenna with 15-ft. integrated cable

IW9165D (Internal Antenna) Radiation Patterns

The following illustrations show the IW9165D model with internal antenna radiation patterns:

Table 5: Cisco Catalyst IW9165D Radiation Patterns

Figure 8: IW9165D - Composite Radiation Pattern (5-GHz Azimuth)

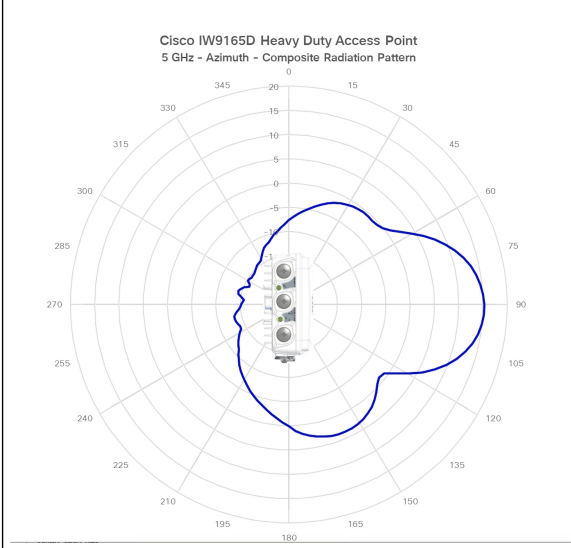


Figure 9: IW9165D - Composite Radiation Pattern (5-GHz Elevation)

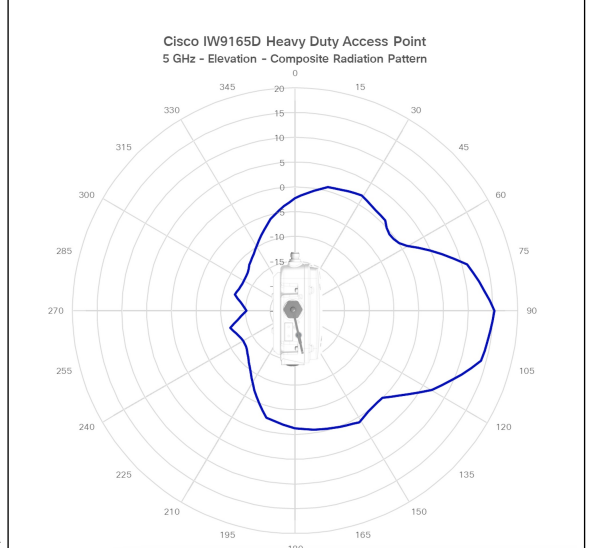


Figure 10: IW9165D - IoT (BLE) Antenna - Radiation Pattern (2.4-GHz Azimuth)

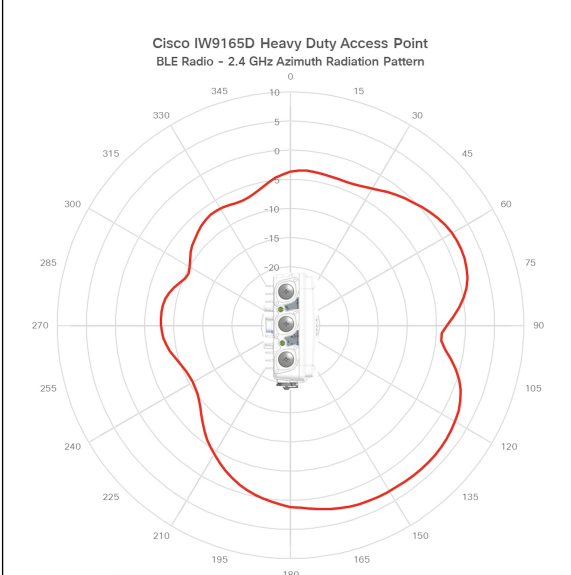
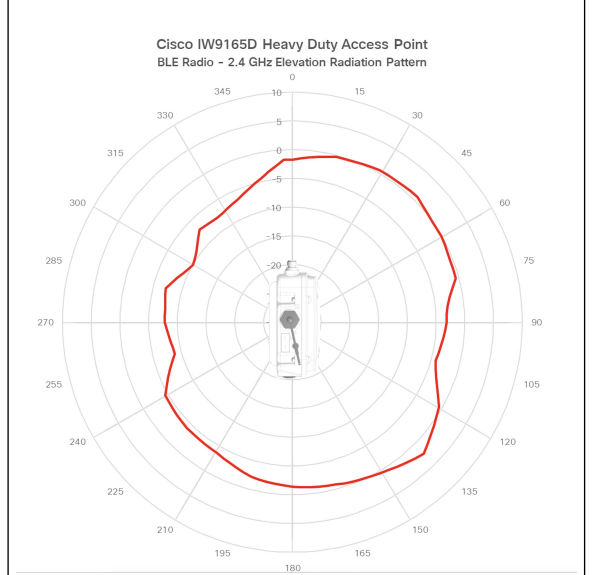


Figure 11: IW9165D - IoT (BLE) Antenna - Radiation Pattern (2.4-GHz Elevation)





CHAPTER 2

Unpacking Your Access Point

- [Package Contents, on page 11](#)
- [Unpacking the Access Point, on page 11](#)
- [Cisco Orderable Accessories, on page 11](#)

Package Contents

Each AP package contains the following items:

- One IW9165D AP
- Ground lug kit
- One PG13.5 gland
- Weatherization tape and anticorrosion sealant

Unpacking the Access Point

To unpack the AP, follow these steps:

-
- Step 1** Unpack and remove the access point and the selected mounting accessory kit from the shipping box.
 - Step 2** Return the packing material to the shipping container and save it for future use.
 - Step 3** Verify that you have received all items ordered. If any item is missing or damaged, contact your Cisco representative or reseller for instructions.
-

Cisco Orderable Accessories

Order the following accessories separately from Cisco:

- AP mounting brackets

Cisco PID	Description
IW-ACC-PMK1=	Pole/wall mounting bracket with tilt and rotation
AIR-ACC1530-PMK1=	Standard pole/wall mount bracket

- Accessory kits

Cisco PID	Description
IW-ACC-M12ETH=	Adapter, M12 X-code to RJ45 Ethernet connector
IW-ACC-M12PWR=	Adapter, M12 4 Pin A-Code to Micro-fit power connector

- M12 Cables

Cisco PID	Description
CAB-PWR-M12-10=	M12 DC power cable, 4 pins, A-Code, 10 ft
CAB-RJ45-M12-10=	M12 to RJ-45 Ethernet cable, 8 pins, X-Code, 10 ft

- RF Coaxial Adapters

Cisco PID	Description
AIR-ACC370-NF-NF=	N(f) to N(f) RF adapter DC-11 GHz

- RF Coaxial Cables

Cisco PID	Description
CAB-L400-5-N-N=	5 ft. LMR-400-DB, N(m)-STR to N(m)-R/A
CAB-L400-5-N-NS=	5 ft. LMR-400-DB, N(m)-STR to N(m)-STR
AIR-CAB010LL-N=	10 ft. LMR-400-DB, N(m)-STR to N(m)-STR
CAB-L400-20-N-N=	20 ft. LMR-400-DB, N(m)-STR to N(m)-RA
AIR-CAB025HZ-N=	25 ft. LMR-400-DB/FR/CMR, N(m)-STR to N(m)-RA
CAB-L600-30-N-N=	30 ft. LMR-600-DB, N(m)-STR to N(m)-RA

- Lightning Arrestors

Lightning Arrestor	Description
CGR-LA-NM-NF=	Lightning Arrestor kit, N(m) to N(f)
ACC-LA-G-TM-TF=	Lightning Arrestor kit, TNC(f) for GNSS

- Power adapter and power injectors when PoE is not available

Power Supply	Description
IW-PWRADPT-MFIT4P=	Power Adapter, AC-DC, Micro-Fit 4-Pin connector
IW-PWRINJ-60RGDMG=	Power Injector, 60W, outdoor 5GE



CHAPTER 3

Installation Overview

- [Preinstallation Checks and Installation Guidelines, on page 15](#)
- [Mounting the Access Point, on page 16](#)
- [Installing a Lightning Arrestor, on page 22](#)
- [Grounding the Access Point, on page 24](#)
- [Powering the Access Point, on page 26](#)
- [Connecting an Ethernet Cable to the Access Point, on page 30](#)

Preinstallation Checks and Installation Guidelines

Before you mount and deploy your access point, we recommend that you perform a site survey (or use the Site Planning tool) to determine the best location to install your access point.

You should have the following information about your wireless network available:

- Access point locations
- Access point mounting options: To a vertical or horizontal wall or a DIN rail
- Access point power options: Use either of the following options to power the AP:
 - DC power input
 - Cisco-approved power injector
 - 802.3at (PoE+), 802.3bt, and Cisco Universal PoE (Cisco UPOE)
- Operating temperature : -40° to +140°F (-40° to +60°C) with solar load and still air.
- Extended operating temperature (DC powered): -58° to +167°F (-50° to +75°C) without solar loading, still air, and cold start limited to -40°C (-40°F).
- Console access using the console port

We recommend that you use a console cable that is one meter or less in length.



Note The AP may face issues while booting if you use an unterminated console cable (not plugged into any device or terminal) or a console cable that is more than one meter in length.

We recommend that you make a site map showing access point locations so that you can record the device MAC addresses from each location and return them to the person who is planning or managing your wireless network.

Mounting the Access Point

This section provides instructions to mount the AP. Personnel mounting the AP must have knowledge of the wireless AP, bridging techniques, and grounding methods.

Installation Options

The IW9165D Access Point can be wall or pole mounted. There are two optional mounting kits: a fixed mounting kit (AIR-ACC1530-PMK1=) and a tiltable mounting kit (IW-ACC-PMK1=).



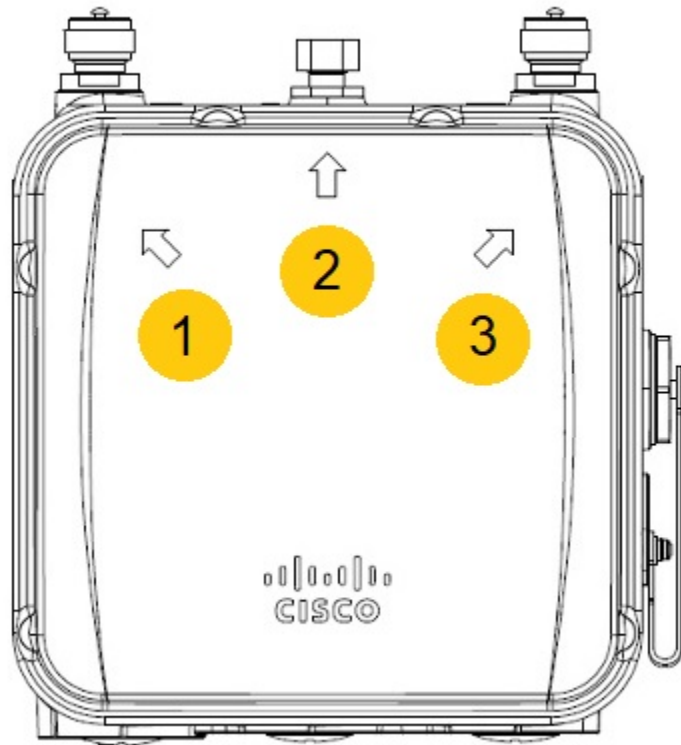
Warning Installation of the equipment must comply with local and national electrical codes. Statement 1074

Access Point Mounting Orientation

The access point can be mounted on a horizontal or vertical surface. When mounting on a vertical surface, you must ensure that the access point is oriented with the LED indicators pointing down. This positioning allows LEDs to be visible to someone on the ground below the access point.

By using the tiltable mounting bracket (Cisco PID: IW-ACC-PMK1=), IW9165D can be mounted in 45° angle other than vertical installation. There are three arrows on the front of the access point. You can choose to mount the access point with one of these arrows pointing up by the tilt functionality of the mounting bracket.

Figure 12: Arrows on the Front of IW9165D



1	Left arrow: -45° tilt	2	Middle arrow: straight installation
3	Right arrow: +45° tilt		

You must also ensure the access point is mounted in such a way as to ensure that all antenna ports and the console port are accessible for future use.



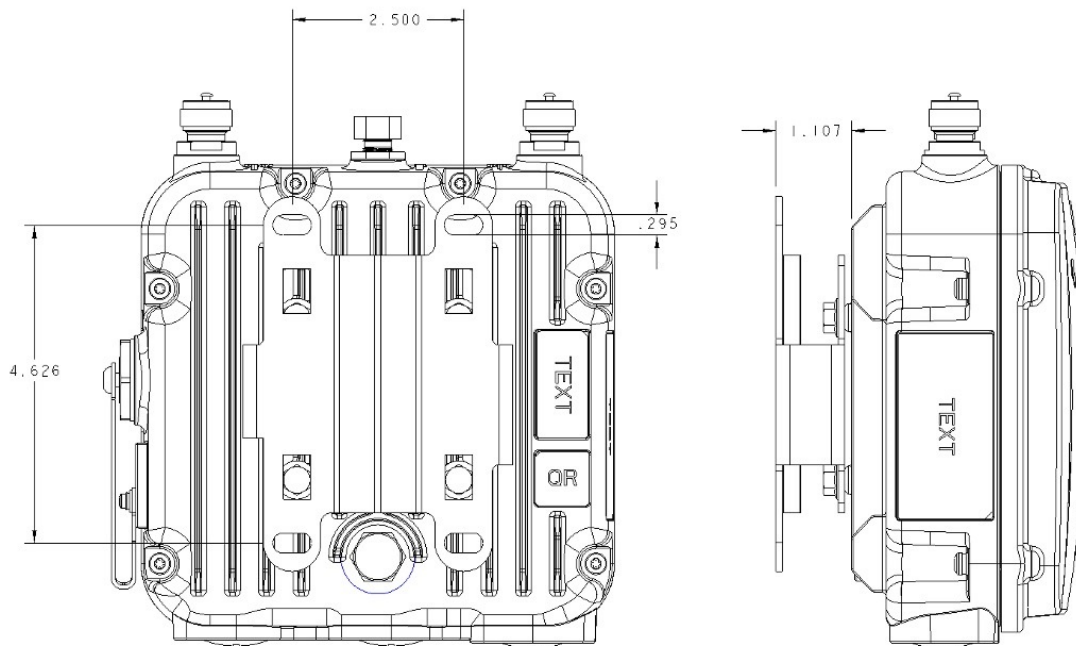
Note Omnidirectional antennas are vertically polarized and should be mounted vertically.

Wall Mounting the Access Point with the Fixed Mounting Kit

The optional fixed mounting kit contains a mounting bracket for wall or pole mounting. You can use the mounting bracket as a template to mark the positions of the mounting holes for your installation. You then install the mounting plate, and attach the access point when you are ready.

The following figure shows the mounting bracket dimensions.

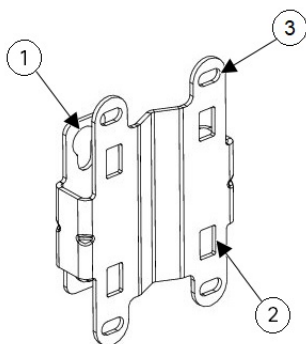
Figure 13: Mounting Bracket Dimensions



To mount the access point on a vertical wall, follow these instructions:

Step 1 Use the mounting bracket as a template to mark four screw hole locations on the mounting surface. See the following figure for the mounting bracket screw hole locations. Use the mounting slotted holes to attach the unit to the wall.

Figure 14: Mounting Bracket Screw Hole Locations

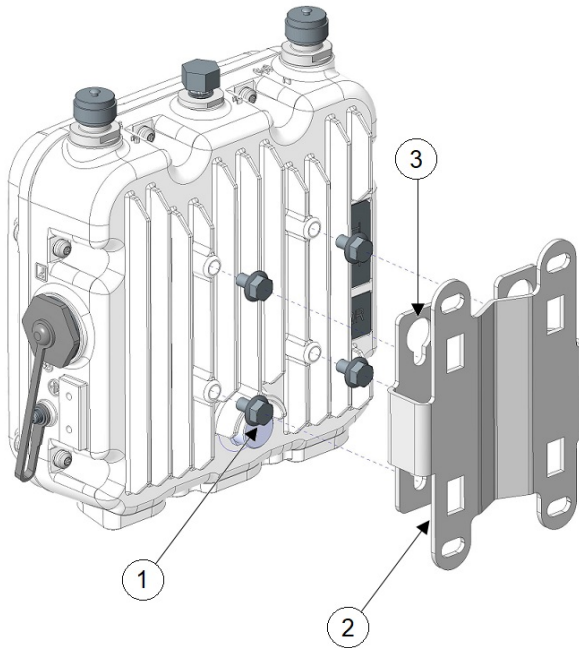


1	Quick Mount Keyhole Slots (for AP use)	2	Mounting Slots (used with the band clamps)
3	Bracket Mount Holes (use bolts up to 1/4" or 6 mm in diameter)		

Step 2 Use four customer-supplied screws and optional screw-anchors to attach the mounting plate to the mounting surface.

Step 3 Screw an M6 x12 mm bolt into each of the four support bolt holes on the back of the access point. Do not screw the bolt all the way in; leave approximately a 0.13 inch (3.3 mm) space.

Figure 15: Attaching Mounting Bracket to the AP



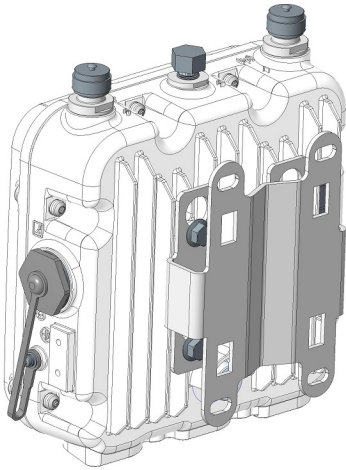
1	M6 Bolts	2	Quick Mount Keyhole Slots (for AP use)
3	Mount Bracket		

Step 4 Position the four bolts on the access point into the keyhole slots on the mounting bracket.

Step 5 Slide the access point down to sit securely in the quick mount notches.

Step 6 Using a 10mm wrench, secure the AP to the bracket by tightening the bolts to the bracket; torque to 30-40 in-lbs.

Figure 16: Mounting Bracket Attached to the AP

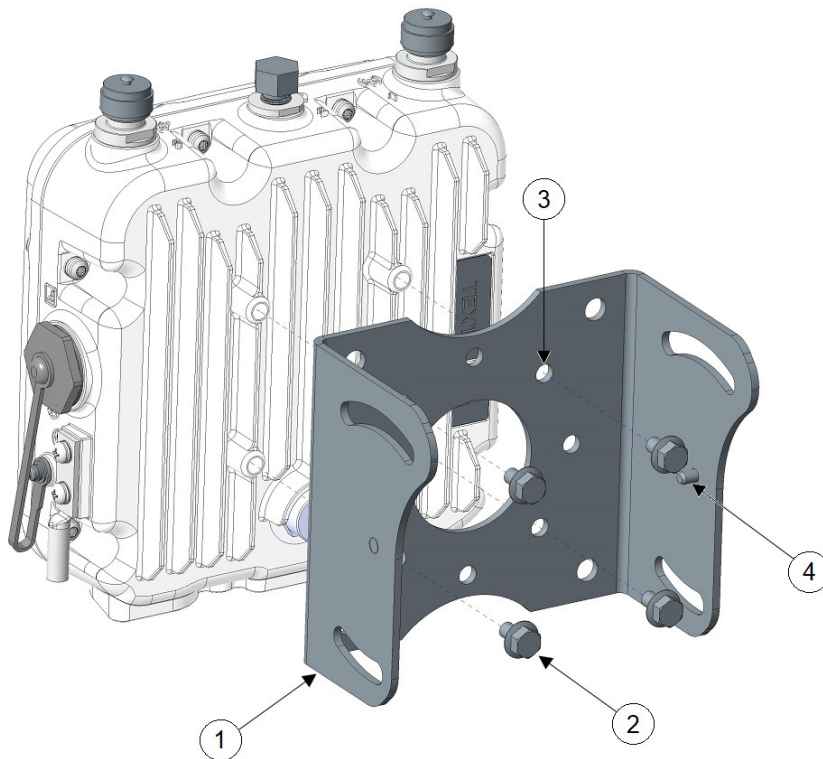


Pole Mounting the Access Point with the Tiltable Mounting Kit

The optional tiltable mounting kit can be used to install the access point on a pole. The tiltable bracket can be rotated 180° for further downward rotation. It also provides additional holes for 45° rotated installation.

To mount the access point on a pole or a wall with the tiltable mount bracket, follow these instructions:

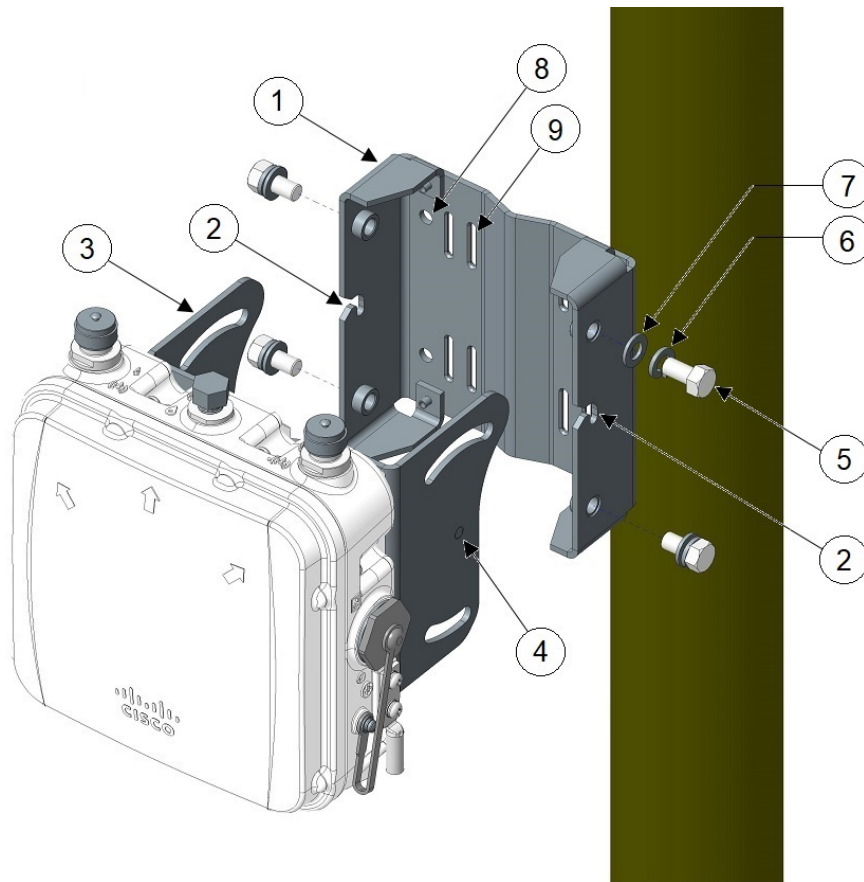
-
- Step 1** Attach the mounting bracket to the access point with four M6 screws. Torque the screws to 30-40 in-lbs.



1	M6 Bolts (x4)	2	Mounting Holes
3	Mounting Bracket (for AP)	4	Pins

Step 2

Use the mounting holes (8) to attach the mounting bracket (1) to a wall, or use the radial strap slots (9) to attach the mounting bracket (1) to a pole. Slide the assembled chassis onto the bracket and rest the pins (4) on the two mounting slots (2). Use the included M8 bolts (5), split washers (6), and flat washers (7) to secure the assembled chassis to the mounting bracket (1). Ensure that the split washer (6) is between the flat washer (7) and the bolt (5), as shown in the following figure. Torque the bolts to 50-60 in-lbs to secure the chassis to the bracket.



1	Mounting Bracket (for pole or wall)	2	Mounting Slots
3	Mounting Bracket (for AP)	4	Pins
5	M8 Bolts (x4)	6	Split Washer
7	Flat Washer	8	Mounting Holes for Wall Mounting
9	Radial Strap Slots for Pole Mounting		

Installing a Lightning Arrestor

Overvoltage transients can be created through lightning static discharges, switch processes, direct contact with power lines, or through earth currents. The Lightning Arrestor limits the amplitude and duration of disturbing interference voltages and improves the over voltage resistance of in-line equipment, systems, and components. A lightning arrester installed according to these mounting instructions balances the voltage potential, thus preventing inductive interference to parallel signal lines within the protected system.

Installation Considerations

Cisco recommends that you bulkhead mount the lightning arrestor so it can be installed as a wall-feed through on the wall of the protected space.

The importance of obtaining a good ground and bonding connection cannot be overstressed. Consider these points when grounding the lightning arrestor:

- Connect the lightning arrestor components directly to the grounding point.
- The contact points of the ground connection must be clean and free of dust and moisture.
- Tighten threaded contacts to the torque specified by the manufacturer.

Lightning Arrestor Installation Notes

This lightning arrestor is designed to be installed between the antenna cable that is attached to an outdoor antenna and the Cisco wireless device. You can install the lightning arrestor either indoors or outdoors. It can be connected directly to a wireless device having an external N connector. It can also be mounted inline or as a feed-through. Feed-through installations require 5/8 in. (16 mm) hole to accommodate the lightning arrestor.

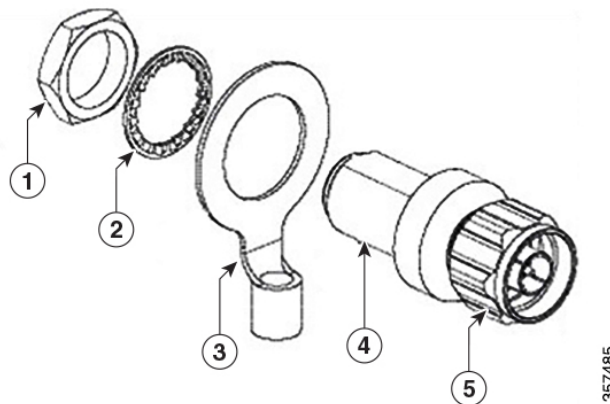


Note

- This lightning arrestor is part of a lightning arrestor kit. The kit contains a lightning arrestor and a grounding lug.
- When you install the lightning arrestor, follow the regulations or best practices applicable to lightning protection installation in your local area.

Installing the Lightning Arrestor Outdoors

If you install the lightning arrestor outdoors, use the supplied ground lug and a heavy wire (#6 solid copper) to connect it to a good earth ground, such as a ground rod. The connection should be as short as possible.



1	Nut	4	Unprotected Side (to antenna)
2	Lockwasher	5	Protected side (to wireless device)

3	Ground lug		
---	------------	--	--

Cable for the Lightning Arrestor

Coaxial cable loses efficiency as the frequency increases, resulting in signal loss. The cable should be kept as short as possible because cable length also determines the amount of signal loss (the longer the run, the greater the loss).

Cisco recommends a high-quality, low-loss cable for use with the lightning arrestor.

Grounding the Access Point

In all installations, after mounting the access point, you must properly ground the unit before connecting power cables.



Warning This equipment must be grounded. Never defeat the ground conductor or operate the equipment in the absence of a suitably installed ground conductor. Contact the appropriate electrical inspection authority or an electrician if you are uncertain that suitable grounding is available. Statement 1024



Warning Installation of the equipment must comply with local and national electrical codes. Statement 1074

The access point is shipped with a grounding kit.

Figure 17: Access Point Grounding Kit Contents



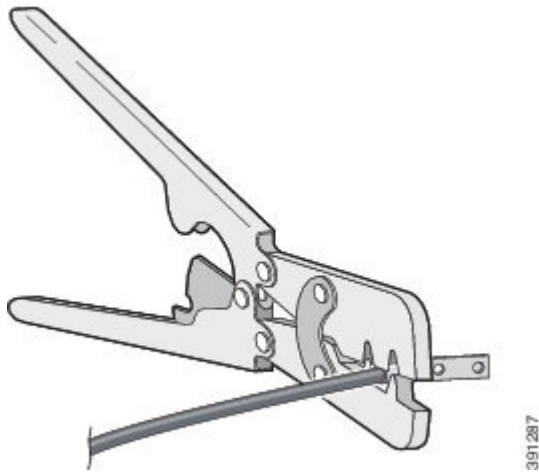
1	Grounding lug	2	M4 screws (x2)
---	---------------	---	----------------



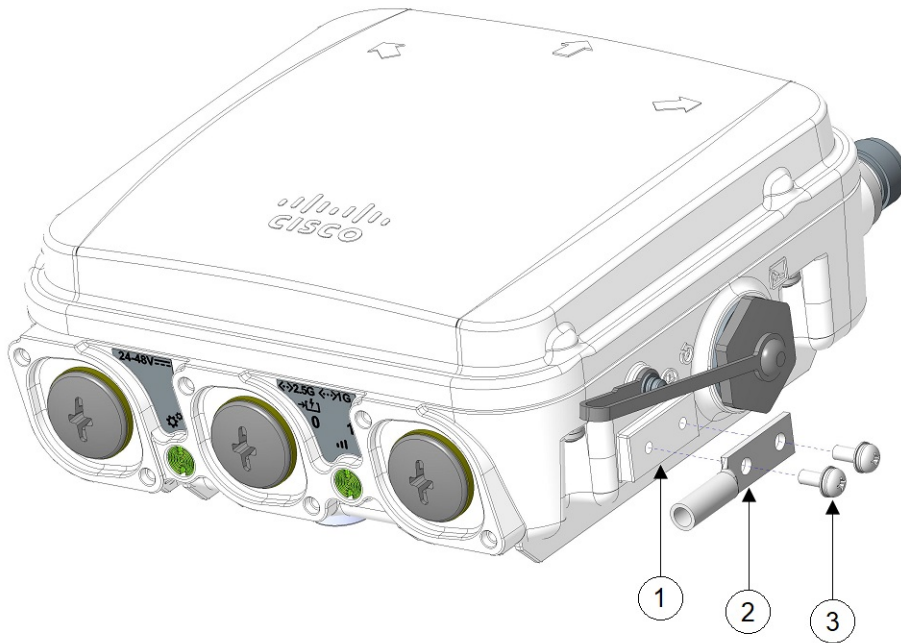
Note The grounding kit also includes the oxide inhibitor, which is contained in a tube.

To ground the access point:

Step 1 Use a crimping tool to crimp a 6-AWG ground wire (not included in the grounding kit) to the ground lug.



Step 2 Connect the supplied ground lug to the access point ground connection point using the supplied screws. Apply supplied oxide inhibitor between the ground lug and the access point ground connection.



1	AP ground connection point	2 2	Grounding lug
3	M4 screws (x2)		

Step 3 Tighten the screws to 10-15 inch-lbs of torque.

Step 4 If necessary, strip the other end of the ground wire and connect it to a reliable earth ground such as a grounding rod or appropriate ground point on a grounded pole. Length of the ground cable should not exceed 1 meter, and 0.5 meter is preferred. Use supplied oxide inhibitor on the grounded interface.

Powering the Access Point

The AP supports these power sources:

- DC power – 24–48 VDC
- Power-over-Ethernet (PoE)

The AP can be powered via the PoE input from an inline power injector or a suitably powered switch port. Depending on the configuration and regulatory domain, the required power for full operation is 802.3at (PoE+) or 24 - 48 VDC.

For more information, see [Power Sources, on page 7](#) and [Power Feature Matrix, on page 26](#).

Power Feature Matrix

The following table provides the AP power feature matrix.

Table 6: Cisco Catalyst IW9165D Heavy Duty Access Point Power Feature Matrix

Power Input	5G Radio	5G/6G Radio	GNSS	mGig Eth	RJ45 1G
24-48V	2x2	2x2	Yes	max 2.5G	Yes
802.3at	2x2	2x2	Yes	max 2.5G	Yes
802.3af	1x1	1x1	Yes	max 1G	No

Connecting a Power Injector

The AP supports the following power injector:

Table 7: Supporting Power Injectors

Power Source	Description
IW-PWRINJ-60RGDMG=	60W rated outdoor power injector, 5GE

The power injector provides DC voltage to the AP over the Ethernet cable and supports a total end-to-end Ethernet cable length of 100 m (328 ft) from the switch to the AP.

When an optional power injector powers your AP, follow these steps to complete the installation:

-
- Step 1** Before applying PoE to the AP, ensure that the AP is grounded (see [Grounding the Access Point, on page 24](#)).
- Step 2** Connect a CAT5e or better Ethernet cable from your wired LAN network to the power injector.
- Note** The installer is responsible for ensuring that powering the AP from this type of power injector is allowed by local and/or national safety and telecommunications equipment standards.
- Step 3** Ensure that the antennas are connected, and that ground is attached to the AP before you apply power to the AP.

- Step 4** Connect a shielded outdoor-rated Ethernet (CAT5e or better) cable between the power injector and the AP's PoE-in connector.
- Step 5** Connect the Ethernet cable to the AP PoE-In port.

Connecting to the DC Power Port Using Cable Gland

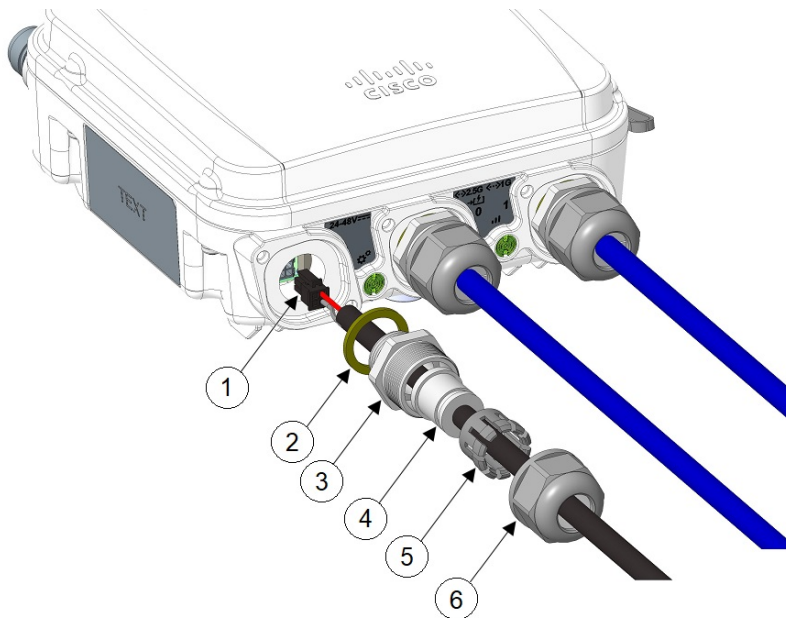
Follow these steps to connect to the DC power port using cable gland:

SUMMARY STEPS

1. Disassemble PG13 cable gland and slide parts over DC cable in the order shown in the following figure:
2. Plug 4P connector cable into the DC connector in the chassis.
3. Thread the PG13 body (with gasket) into the chassis.
4. Insert the grommet into the ferrule, and press it into the PG13 body.
5. Tighten the clamp nut onto the PG13 body until the grommet compresses onto the DC cable.

DETAILED STEPS

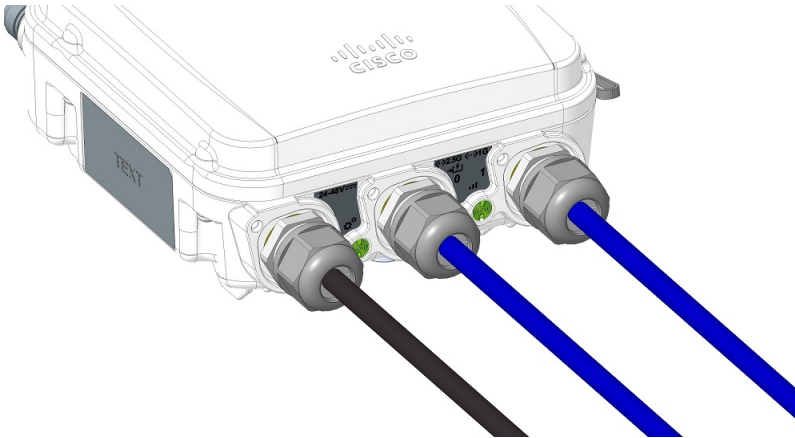
- Step 1** Disassemble PG13 cable gland and slide parts over DC cable in the order shown in the following figure:



1	DC cable	4	Grommet
2	Gasket	5	Ferrule
3	PG13 body	6	Clamp nut

- Step 2** Plug 4P connector cable into the DC connector in the chassis.

- Step 3** Thread the PG13 body (with gasket) into the chassis.
- Step 4** Insert the grommet into the ferrule, and press it into the PG13 body.
- Step 5** Tighten the clamp nut onto the PG13 body until the grommet compresses onto the DC cable.



Connecting DC Power Port Using M12 Adapter

Follow these steps to connect to the DC power port using M12 adapter:

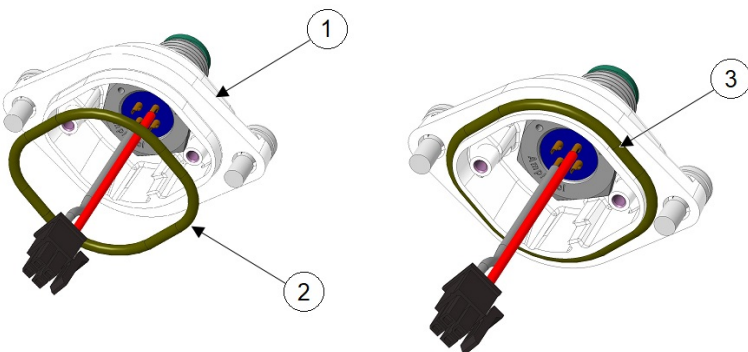
SUMMARY STEPS

1. Ensure the O-ring is installed on the M12 adapter before attaching the M12 adapter to the AP.
2. Align and plug the 4-pin Micro-Fit connector into the power port of the chassis. Press M12-PWR adapter onto the chassis, and ensure that the wires are not pinched.
3. Torque to 15-20 in-lbs to tighten the M12 adapter captive screws into the chassis.

DETAILED STEPS

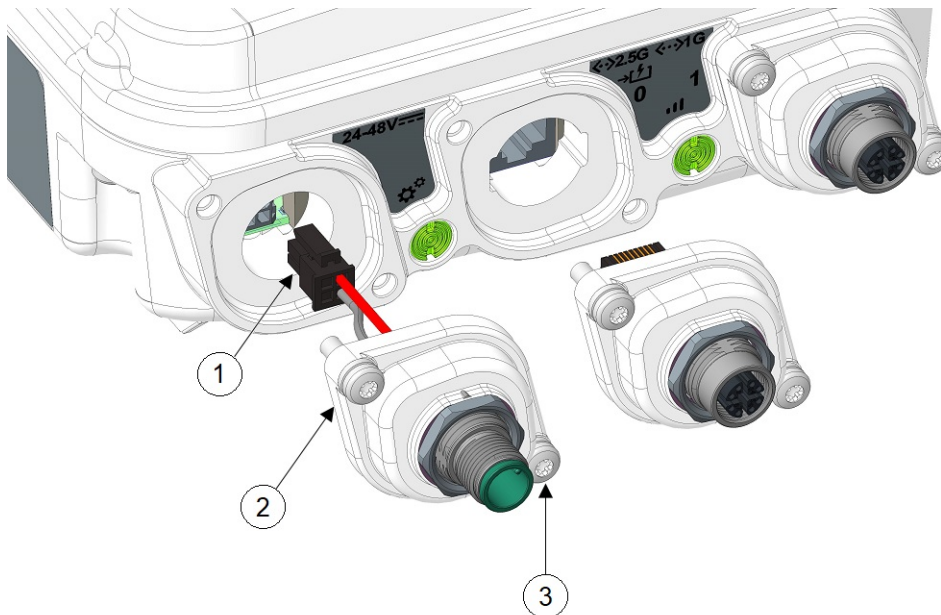
- Step 1** Ensure the O-ring is installed on the M12 adapter before attaching the M12 adapter to the AP.

Figure 18: Installing O-ring on the M12 Adapter



1	M12 adapter	2	O-ring
3	O-ring installed on M12 adapter		

Step 2 Align and plug the 4-pin Micro-Fit connector into the power port of the chassis. Press M12-PWR adapter onto the chassis, and ensure that the wires are not pinched.



1	4-pin Micro-Fit DC connector	3	Captive screws
2	M12-PWR adapter		

Step 3 Torque to 15-20 in-lbs to tighten the M12 adapter captive screws into the chassis.



Connecting an Ethernet Cable to the Access Point

Connect an Ethernet cable to the access point by using a cable gland or an M12-RJ45 adapter.

Connecting to the RJ-45 Port Using Cable Gland

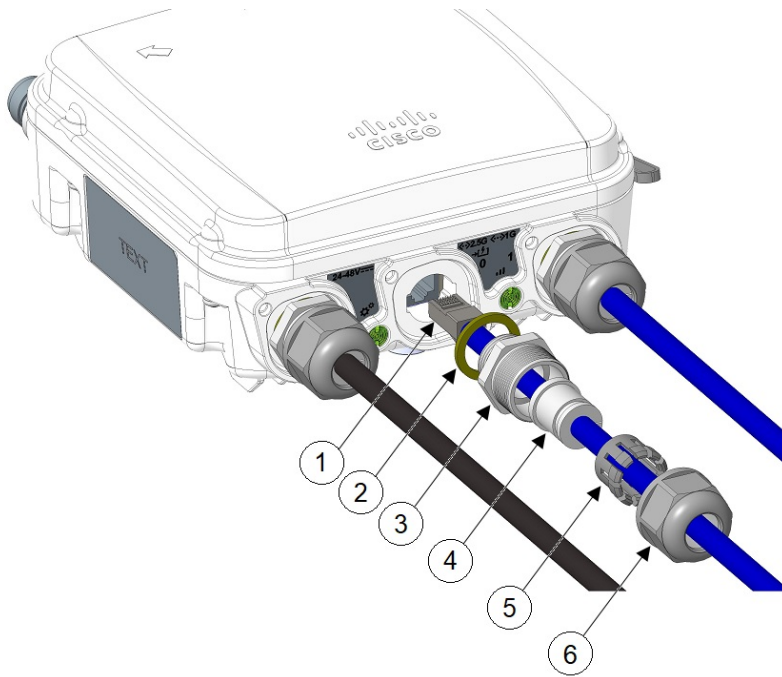
Follow these steps to connect to the RJ-45 port using cable gland:

SUMMARY STEPS

1. Disassemble PG13 cable gland and slide parts over RJ-45 cable in the order shown in the following figure:
2. Plug the RJ-45 cable into the RJ-45 connector in the chassis.
3. Thread the PG13 body (with gasket) into the chassis.
4. Insert the grommet into the ferrule, and press it into the PG13 body.
5. Tighten the clamp nut onto the PG13 body until the grommet compresses onto the RJ-45 cable.

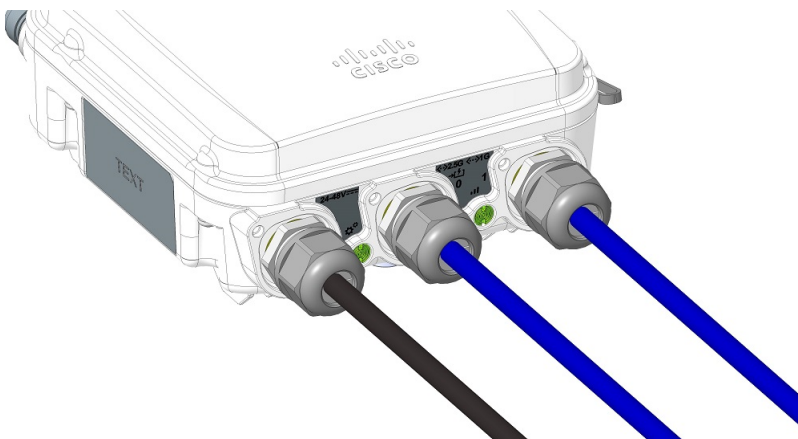
DETAILED STEPS

Step 1 Disassemble PG13 cable gland and slide parts over RJ-45 cable in the order shown in the following figure:



1	RJ-45 cable	4	Grommet
2	Gasket	5	Ferrule
3	PG13 body	6	Clamp nut

- Step 2** Plug the RJ-45 cable into the RJ-45 connector in the chassis.
- Step 3** Thread the PG13 body (with gasket) into the chassis.
- Step 4** Insert the grommet into the ferrule, and press it into the PG13 body.
- Step 5** Tighten the clamp nut onto the PG13 body until the grommet compresses onto the RJ-45 cable.



Connecting to the RJ-45 Port Using M12 Adapter

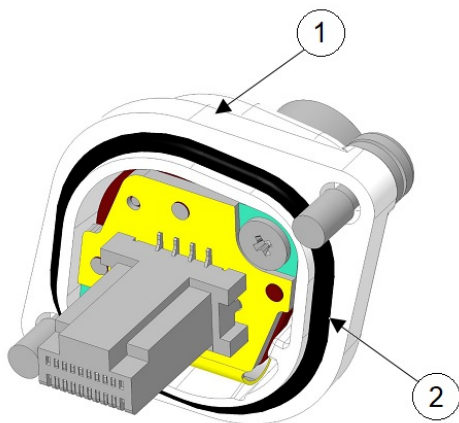
Follow these steps to connect to the RJ-45 port using M12 adapter:

SUMMARY STEPS

1. Ensure the O-ring is installed on the M12 adapter before attaching the M12 adapter to the AP.
2. Align the RJ-45 tab (3) with the RJ-45 connector in the chassis, and plug the M12 adapter into the chassis. Note the orientation of RJ45 plug and connector.
3. Torque to 15-20 in-lbs to tighten the M12 adapter captive screws into the chassis.

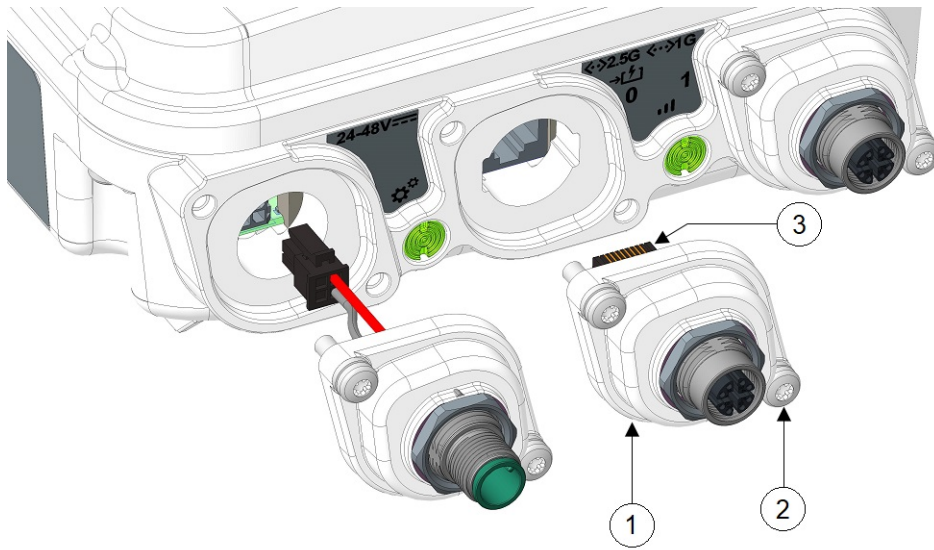
DETAILED STEPS

Step 1 Ensure the O-ring is installed on the M12 adapter before attaching the M12 adapter to the AP.



1	M12 adapter	2	O-ring
---	-------------	---	--------

Step 2 Align the RJ-45 tab (3) with the RJ-45 connector in the chassis, and plug the M12 adapter into the chassis. Note the orientation of RJ45 plug and connector.



1	M12-RJ45 adapter	3	Captive screws
2	RJ-45 tab		

Step 3 Torque to 15-20 in-lbs to tighten the M12 adapter captive screws into the chassis.





CHAPTER 4

Troubleshooting

- [Checking the Access Point LEDs, on page 35](#)
- [Using the Reset Button, on page 36](#)

Checking the Access Point LEDs

The location of the AP status LED is shown in [Connectors and Ports, on page 2](#).



Note Regarding LED status colors, it is expected that there will be small variations in color intensity and hue from unit to unit. This is within the normal range of the LED manufacturer's specifications and is not a defect. However, the intensity of the LED can be changed through the controller.

The AP status LED indicates various conditions and are described in the following table.

Table 8: AP LED Signals

LED Message Type	Color	Meaning
Boot loader status sequence	Blinking Green	Boot loader status sequence: <ul style="list-style-type: none">• DRAM memory test in progress• DRAM memory test OK• Board initialization in progress• Initializing FLASH file system• FLASH memory test OK• Initializing Ethernet• Ethernet OK• Starting AP OS• Initialization successful

LED Message Type	Color	Meaning
Boot loader warnings	Blinking Red	Configuration recovery is in progress (the Reset button has been pushed for 2 to 3 seconds)
	Solid Red	There is an Ethernet failure or an image recovery (the Reset button has been pushed for 20-30 seconds)
	Blinking Green	Image recovery is in progress (the Reset button has been released)
Cisco URWB OS		
Limbo (Provisioning) mode: Fallback	Flashing (short blips) Amber	In the state of requesting IP address from DHCP server.
Limbo (Provisioning) mode: DHCP	Amber	This status indicates that the IP address is retrieved from DHCP server.

Using the Reset Button

Using the **Reset** button (see [Connectors and Ports, on page 2](#)), you can reset the AP to factory default or clear the AP's internal storage.

To reset the AP to the default factory-shipped configuration, perform the following steps:

-
- Step 1** Press, and continue to press the **Reset** button on the access point during the AP boot cycle.
- Step 2** The AP status LED will turn red once the timer has started. Continue to hold the **Reset** button for more than 20 seconds, but less than 60 seconds. The following will happen:
- The AP status LED changes to solid red.
 - All the files in the AP storage directory are cleared.
 - A full factory reset is triggered.
 - The FIPS mode flag is also cleared during the full factory reset of the AP. If the FIPS flag is set, the console access is disabled.

Note If you keep the **Reset** button pressed for more than 60 seconds, the button is assumed as being faulty and no changes are made.



CHAPTER 5

Safety Guidelines and Warnings

- [Safety Instructions, on page 37](#)
- [FCC Safety Compliance Statement, on page 38](#)
- [Safety Precautions, on page 38](#)
- [Safety Precautions when Installing Antennas, on page 39](#)
- [Avoiding Damage to Radios in a Testing Environment, on page 39](#)
- [Performing Site Surveys, on page 40](#)

Safety Instructions

The translated warnings are available in the Translated Safety Warnings for Cisco Catalyst Access Points, which is available on Cisco.com.



Warning **IMPORTANT SAFETY INSTRUCTION**This warning symbol means danger. You are in a situation that could cause bodily injury. Before you work on any equipment, be aware of the hazards involved with electrical circuitry and be familiar with standard practices for preventing accidents. Use the statement number provided at the end of each warning to locate its translation in the translated safety warnings that accompanied this device.**SAVE THESE INSTRUCTIONS** Statement 1071



Warning **This product relies on the building's installation for short-circuit (overcurrent) protection. Ensure that the protective device is rated not greater than 20A.** Statement 1005



Warning **Installation of the equipment must comply with local and national electrical codes.** Statement 1074



Warning **Ultimate disposal of this product should be handled according to all national laws and regulations.** Statement 9001



Caution Ensure to connect the power cord of the power adapter to a socket outlet with an earthing connection.

FCC Safety Compliance Statement

The FCC, with its action in ET Docket 96-8, has adopted a safety standard for human exposure to RF electromagnetic energy emitted by FCC-certified equipment. When used with approved Cisco antennas, Cisco Catalyst products meet the uncontrolled environmental limits found in OET-65 and ANSI C95.1, 1991. Proper operation of this radio device according to the instructions in this publication results in user exposure substantially below the FCC recommended limits.

Safety Precautions

For safety and to achieve a good installation, please read and follow these safety precautions:

- Select your installation site with safety as well as performance in mind. Remember: electric power lines and phone lines look alike. For safety, assume that any overhead line can kill.
- Call your electric power company. Tell them your plans, and ask them to come to look at your proposed installation
- Plan your installation carefully and thoroughly before you begin. Successful raising of a mast or tower is mostly a matter of coordination. Each person should be assigned to a specific task and know what to do and when to do it. One person should be in charge of the operation to issue instructions and watch for signs of trouble.
- When installing the AP or its antennas, remember:
 - Do not use a metal ladder.
 - Do not work on a wet or windy day.
 - Do dress properly—shoes with rubber soles and heels, rubber gloves, long-sleeved shirt or jacket.
- Use a rope to lift the AP. If the assembly starts to drop, get away from it and let it fall.
- If any part of the antenna system comes in contact with a power line, do not touch it or remove it yourself. Call your local power company. They will remove it safely.

If an accident should occur, call for qualified emergency help immediately.

Safety Precautions when Installing Antennas



Danger Do not locate the antenna near overhead power lines or other electric light or power circuits, or where it can come into contact with such circuits. When installing the antenna, take extreme care not to come into contact with such circuits, as they may cause serious injury or death. For proper installation and grounding of the antenna, please refer to national and local codes (e.g. U.S.: NFPA 70, National Electrical Code, Article 810, Canada: Canadian Electrical Code, Section 54). Statement 280

- Before you install an antenna, contact your Cisco account representative to explain which mounting method to use for the size and type of antenna that you are about to install
- Select your installation site with safety, as well as performance, in mind. Remember that electric power lines and phone lines look alike. For your safety, assume that any overhead line can kill you.
- Contact your electric power company. Tell them your plans and ask them to come look at your proposed installation.
- Plan your installation carefully and completely before you begin. Each person involved in an installation should be assigned to a specific task and should know what to do and when to do it. One person should be in charge of the operation to issue instructions and watch for signs of trouble.
- When installing your antenna, follow these guidelines:
 - Do not use a metal ladder
 - Do not work on a wet or windy day
 - Do dress properly—wear shoes with rubber soles and heels, rubber gloves, and a long-sleeved shirt or jacket
- If the assembly starts to drop, move away from it and let it fall. Because the antenna, mast, cable, and metal guy wires are all excellent conductors of electrical current, even the slightest touch of any of these parts to a power line completes an electrical path through the antenna and the installer.
- If any part of the antenna system should come in contact with a power line, do not touch it or try to remove it yourself. Call your local power company to have it removed safely.
- If an accident should occur with the power lines, call for qualified emergency help immediately.

Avoiding Damage to Radios in a Testing Environment

The radios on outdoor units (bridges) have higher transmit power levels than radios on indoor units (APs). When you test high-power radios in a link, you must avoid exceeding the receiver's maximum receive input level. At levels above the normal operating range, packet error rate (PER) performance is degraded. At even higher levels, the receiver can be permanently damaged. To avoid receiver damage and PER degradation, you can use one of the following techniques:

- Separate the omnidirectional antennas by at least 2 ft (0.6 m) to avoid receiver damage or by at least 25 ft (7.6 m) to avoid PER degradation.



Note These distances assume free space path loss and are conservative estimates. Required separation distances for damage and performance degradation levels in actual deployments are less if conditions are not non-line-of-sight.

- Reduce the configured transmit power to the minimum level.
- Use directional antennas, and keep them away from each other.
- Cable the radios together using a combination of attenuators, combiners, or splitters to achieve a total attenuation of at least 60 dB.

For a radiated testbed, the following equation describes the relationships among transmit power, antenna gain, attenuation, and receiver sensitivity:

$$\text{txpwr} + \text{tx gain} + \text{rx gain} - [\text{attenuation due to antenna spacing}] < \text{max rx input level}$$

Where:

txpwr = Radio transmit power level

tx gain = transmitter antenna gain

rx gain = receiver antenna gain

For a conducted test bed, the following equation describes the relationships among transmit power, antenna gain, and receiver sensitivity:

$$\text{txpwr} - [\text{attenuation due to coaxial components}] < \text{max rx input level}$$



Caution Under no circumstances should you connect the antenna port from one AP to the antenna port of another AP without using an RF attenuator. If you connect antenna ports, you must not exceed the maximum survivable receive level of 0 dBm. Never exceed 0 dBm, or damage to the AP can occur. Using attenuators, combiners, and splitters having a total of at least 60 dB of attenuation ensures that the receiver is not damaged and that PER performance is not degraded.

Performing Site Surveys

Every network application is a unique installation. Before installing multiple APs, you should perform a site survey to determine the optimum use of networking components and maximize range, coverage, and network performance.

Site surveys reveal problems that can be resolved before the network is operational. Because 802.11a/b/g/n/ac/ax operates in an unlicensed spectrum, there may be sources of interference from other 802.11a wireless devices (especially in multi-tenant buildings) that could degrade your 802.11 signals. A site survey can determine if such interference exists at the time of deployment.

Consider the following operating and environmental conditions when performing a site survey:

- Data rates: Sensitivity and range are inversely proportional to data bit rates. The maximum radio range is achieved at the lowest workable data rate. A decrease in receiver sensitivity occurs as the radio data increases.

- **Antenna type and placement:** Proper antenna configuration is a critical factor in maximizing radio range. As a general rule, range increases in proportion to antenna height. However, do not place the antenna higher than necessary because the extra height also increases potential interference from other unlicensed radio systems and decreases the wireless coverage from the ground.
- **Physical environment:** Clear or open areas provide better radio range than closed or filled areas.
- **Obstructions:** Physical obstructions such as buildings, trees, or hills can hinder the performance of wireless devices. Avoid locating the devices in a location where there is an obstruction between the sending and receiving antennas.
- How far is your wireless link?
- Has a previous site survey been conducted?
- Do you have a clear Fresnel zone between the APs or radio line of sight?
- What is the minimum acceptable data rate within the link?
- Do you have the correct antenna (if more than one antenna is being offered?)
- Do you have the proper permits, if required?
- Are you following the proper safety procedures and practices?
- Have you configured the APs before you go onsite? It is always easier to resolve configurations or device problems first.
- Do you have the proper tools and equipment to complete your survey?



CHAPTER 6

Declarations of Conformity and Regulatory Information

- [Manufacturers Federal Communications Commission Declaration of Conformity Statement, on page 43](#)
- [Operation of Cisco Catalyst Access Points in México, on page 44](#)
- [VCCI Statement for Japan, on page 44](#)
- [Compliance Statement for Canada, on page 46](#)
- [European Community, Switzerland, Norway, Iceland, and Liechtenstein, on page 47](#)
- [United Kingdom Compliance, on page 47](#)
- [Declaration of Conformity for RF Exposure, on page 48](#)
- [Declaration of Conformity Statements, on page 50](#)

Manufacturers Federal Communications Commission Declaration of Conformity Statement



Access Point Models	Certification Number
IW9165DH-B	LDKIW9165DH

Manufacturer:

Cisco Systems, Inc.

170 West Tasman Drive

San Jose, CA 95134-1706

USA

This device complies with Part 15 rules. Operation is subject to the following two conditions:

1. This device may not cause harmful interference,
2. This device must accept any interference received, including interference that may cause undesired operation.

Federal Communications Commission Interference Statement

This equipment has been tested and found to comply with the limits for a Class A digital device, pursuant to part 15 of the FCC Rules. These limits are designed to provide reasonable protection against harmful interference when the equipment is operated in a commercial environment. This equipment generates, uses, and can radiate radio frequency energy and, if not installed and used in accordance with the instruction manual, may cause harmful interference to radio communications. Operation of this equipment in a residential area is likely to cause harmful interference in which case the user will be required to correct the interference at his own expense.



Caution

The Part 15 radio device operates on a non-interference basis with other devices operating at this frequency when using the integrated antennas. Any changes or modification to the product not expressly approved by Cisco could void the user's authority to operate this device.

Operation of Cisco Catalyst Access Points in México

Declaración para México

La operación de este equipo está sujeta a las siguientes dos condiciones: (1) es posible que este equipo o dispositivo no cause interferencia perjudicial y (2) este equipo o dispositivo debe aceptar cualquier interferencia, incluyendo la que pueda causar su operación no deseada.

VCCI Statement for Japan

Statement 191—Voluntary Control Council for Interference (VCCI) Class A Warning for Japan



Warning

This is a Class A product based on the standard of the VCCI Council. If this equipment is used in a domestic environment, radio interference may occur, in which case, you may be required to take corrective actions.

ステートメント 191—日本向け VCCI クラス A に関する警告



警告 この装置は、クラス A 機器です。この装置を住宅環境で使用すると電波妨害を引き起こすことがあります。この場合には使用者が適切な対策を講ずるよう要求されることがあります。

VCCI-A

Guidelines for Operating Cisco Catalyst Access Points in Japan

This section provides guidelines for avoiding interference when operating Cisco Catalyst access points in Japan. These guidelines are provided in both Japanese and English.

この機器の使用周波数帯では、電子レンジ等の産業・科学・医療用機器のほか工場の製造ライン等で使用されている移動体識別用の構内無線局（免許を要する無線局）及び特定小電力無線局（免許を要しない無線局）が運用されています。

1. この機器を使用する前に、近くで移動体識別用の構内無線局及び特定小電力無線局が運用されていないことを確認して下さい。
2. 万一、この機器から移動体識別用の構内無線局に対して電波干渉の事例が発生した場合には、速やかに使用周波数を変更するか又は電波の発射を停止した上、下記連絡先にご連絡頂き、混信回避のための処置等（例えば、ノークーティションの設置など）についてご相談して下さい。
3. その他、この機器から移動体識別用の特定、小電力無線局に対して電波干渉の事例が発生した場合など何かお困りのことが起きたときは、次の連絡先へお問い合わせ下さい。

連絡先: 03-6434-6500

English Translation

This equipment operates in the same frequency bandwidth as industrial, scientific, and medical devices such as microwave ovens and mobile object identification (RF-ID) systems (licensed premises radio stations and unlicensed specified low-power radio stations) used in factory production lines.

1. Before using this equipment, make sure that no premises radio stations or specified low-power radio stations of RF-ID are used in the vicinity.
2. If this equipment causes RF interference to a premises radio station of RF-ID, promptly change the frequency or stop using the device; contact the number below and ask for recommendations on avoiding radio interference, such as setting partitions.
3. If this equipment causes RF interference to a specified low-power radio station of RF-ID, contact the number below.

Contact Number: 03-6434-6500

Compliance Statement for Canada

This device complies with Industry Canada licence-exempt RSS standard(s). Operation is subject to the following two conditions: (1) this device may not cause interference, and (2) this device must accept any interference, including interference that may cause undesired operation of the device. Le présent appareil est conforme aux CNR d'Industrie Canada applicables aux appareils radio exempts de licence. L'exploitation est autorisée aux deux conditions suivantes : (1) l'appareil ne doit pas produire de brouillage, et (2) l'utilisateur de l'appareil doit accepter tout brouillage radioélectrique subi, même si le brouillage est susceptible d'en compromettre le fonctionnement.

Under Industry Canada regulations, this radio transmitter may only operate using an antenna of a type and maximum (or lesser) gain approved for the transmitter by Industry Canada. To reduce potential radio interference to other users, the antenna type and its gain should be so chosen that the equivalent isotropically radiated power (e.i.r.p.) is not more than that necessary for successful communication. Conformément à la réglementation d'Industrie Canada, le présent émetteur radio peut fonctionner avec une antenne d'un type et d'un gain maximal (ou inférieur) approuvé pour l'émetteur par Industrie Canada. Dans le but de réduire les risques de brouillage radioélectrique à l'intention des autres utilisateurs, il faut choisir le type d'antenne et son gain de sorte que la puissance isotrope rayonnée équivalente (p.i.r.e.) ne dépasse pas l'intensité nécessaire à l'établissement d'une communication satisfaisante.

This radio transmitter has been approved by Industry Canada to operate with the antenna types listed below with the maximum permissible gain and required antenna impedance for each antenna type indicated. Antenna types not included in this list, having a gain greater than the maximum gain indicated for that type, are strictly prohibited for use with this device. Le présent émetteur radio a été approuvé par Industrie Canada pour fonctionner avec les types d'antenne énumérés ci-dessous et ayant un gain admissible maximal et l'impédance requise pour chaque type d'antenne. Les types d'antenne non inclus dans cette liste, ou dont le gain est supérieur au gain maximal indiqué, sont strictement interdits pour l'exploitation de l'émetteur.

Operation in the band 5150-5250 MHz is only for indoor use to reduce the potential for harmful interference to co-channel mobile satellite systems. La bande 5 150-5 250 MHz est réservés uniquement pour une utilisation à l'intérieur afin de réduire les risques de brouillage préjudiciable aux systèmes de satellites mobiles utilisant les mêmes canaux.

Users are advised that high-power radars are allocated as primary users (i.e. priority users) of the bands 5250-5350 MHz and 5650-5850 MHz and that these radars could cause interference and/or damage to LE-LAN devices. Les utilisateurs êtes avisés que les utilisateurs de radars de haute puissance sont désignés utilisateurs principaux (c.-à-d., qu'ils ont la priorité) pour les bandes 5 250-5 350 MHz et 5 650-5 850 MHz et que ces radars pourraient causer du brouillage et/ou des dommages aux dispositifs LAN-EL.

Industry Canada

Access Point Models	Certification Number
IW9165DH-A	IC:2461A-IW9165DH

IC Radiation Exposure Statement

This equipment complies with IC RSS-102 radiation exposure limits set forth for an uncontrolled environment. This equipment should be installed and operated with minimum distance 20 cm between the radiator and your body.

Cet équipement est conforme aux limites d'exposition aux rayonnements IC établies pour un environnement non contrôlé. Cet équipement doit être installé et utilisé avec un minimum de 20 cm de distance entre la source de rayonnement et votre corps.

European Community, Switzerland, Norway, Iceland, and Liechtenstein

Access Point Models:

IW9165DH-E

The product carries the CE Mark:



The device is restricted to indoor use only when operating between 5150 MHz and 5350 MHz, 5925 MHz and 6425 MHz frequency range.

This equipment complies with EU radiation exposure limits set forth for an uncontrolled environment. This equipment should be installed and operated with minimum distance 20 cm (7.87 inches) between the radiator & your body.



Note This equipment is intended to be used in all EU and EFTA countries. Outdoor use may be restricted to certain frequencies and/or may require a license for operation. For more details, contact Cisco Corporate Compliance.

The frequency and the maximum transmitted power in EU are listed below:

2402-2480MHz (LE): 9.92 dBm

5180-5240MHz: 22.96 dBm

5260-5320MHz: 22.98 dBm

5500-5700: 29.99 dBm

	AT	BE	BG	HR	CY	CZ	DK
	EE	FI	FR	DE	EL	HU	IE
	IT	LV	LT	LU	MT	NL	PL
	PT	RO	SK	SI	ES	SE	UK(NI)

Norway(NO), Iceland(IS), Lichtenstein(LI), Turkey(TR), Switzerland(CH)

United Kingdom Compliance

Access Point Models:

IW9165DH-ROW

The device is restricted to indoor use only when operating between 5150 MHz and 5350 MHz, 5925 MHz and 6425 MHz frequency range. This equipment should be installed and operated with minimum distance 20 cm (7.87 inches) between the radiator & your body.

The frequency and the maximum transmitted power in UK are listed below:

2402-2480MHz (LE): 9.92 dBm

5180-5240MHz: 22.96 dBm

5260-5320MHz: 22.98 dBm

5500-5700: 29.99 dBm

Declaration of Conformity for RF Exposure

This section contains information on compliance with guidelines related to RF exposure.

Generic Discussion on RF Exposure

The Cisco products are designed to comply with the following national and international standards on Human Exposure to Radio Frequencies:

- US 47 Code of Federal Regulations Part 2 Subpart J
- American National Standards Institute (ANSI) / Institute of Electrical and Electronic Engineers / IEEE C 95.3
- International Commission on Non Ionizing Radiation Protection (ICNIRP) 98
- Ministry of Health (Canada) Safety Code 6. Limits on Human Exposure to Radio Frequency Fields in the range from 3kHz to 300 GHz
- Australia Radiation Protection Standard

To ensure compliance with various national and international Electromagnetic Field (EMF) standards, the system should only be operated with Cisco approved antennas and accessories.

This Device Meets International Guidelines for Exposure to Radio Waves

The IW9165D device includes a radio transmitter and receiver. It is designed not to exceed the limits for exposure to radio waves (radio frequency electromagnetic fields) recommended by international guidelines. The guidelines were developed by an independent scientific organization (ICNIRP) and include a substantial safety margin designed to ensure the safety of all persons, regardless of age and health.

As such the systems are designed to be operated as to avoid contact with the antennas by the end user. It is recommended to set the system in a location where the antennas can remain at least a minimum distance as specified from the user in accordance to the regulatory guidelines which are designed to reduce the overall exposure of the user or operator.

RF Exposure Distance
20 cm

The World Health Organization has stated that present scientific information does not indicate the need for any special precautions for the use of wireless devices. They recommend that if you are interested in further reducing your exposure then you can easily do so by reorienting antennas away from the user or placing the antennas at a greater separation distance than recommended.

This Device Meets FCC Guidelines for Exposure to Radio Waves

The IW9165D device includes a radio transmitter and receiver. It is designed not to exceed the limits for exposure to radio waves (radio frequency electromagnetic fields) as referenced in FCC Part 2.1091. The guidelines are based on IEEE ANSI C 95.3 and KDB 447498 and include a substantial safety margin designed to ensure the safety of all persons, regardless of age and health.

As such the systems are designed to be operated as to avoid contact with the antennas by the end user. It is recommended to set the system in a location where the antennas can remain at least a minimum distance as specified from the user in accordance to the regulatory guidelines which are designed to reduce the overall exposure of the user or operator.

The device has been tested and found compliant with the applicable regulations as part of the radio certification process.

RF Exposure Distance
40 cm

The US Food and Drug Administration has stated that present scientific information does not indicate the need for any special precautions for the use of wireless devices. The FCC recommends that if you are interested in further reducing your exposure then you can easily do so by reorienting antennas away from the user or placing the antennas at a greater separation distance than recommended or lowering the transmitter power output.

This Device Meets the Industry Canada Guidelines for Exposure to Radio Waves

The IW9165D device includes a radio transmitter and receiver. It is designed not to exceed the limits for exposure to radio waves (radio frequency electromagnetic fields) as referenced in Health Canada Safety Code 6. The guidelines include a substantial safety margin designed into the limit to ensure the safety of all persons, regardless of age and health.

As such the systems are designed to be operated as to avoid contact with the antennas by the end user. It is recommended to set the system in a location where the antennas can remain at least a minimum distance as specified from the user in accordance to the regulatory guidelines which are designed to reduce the overall exposure of the user or operator.

RF Exposure Distance
20 cm

Health Canada states that present scientific information does not indicate the need for any special precautions for the use of wireless devices. They recommend that if you are interested in further reducing your exposure you can easily do so by reorienting antennas away from the user, placing the antennas at a greater separation distance than recommended, or lowering the transmitter power output.

Cet appareil est conforme aux directives internationales en matière d'exposition aux fréquences radioélectriques

Cet appareil de la gamme IW9165D comprend un émetteur-récepteur radio. Il a été conçu de manière à respecter les limites en matière d'exposition aux fréquences radioélectriques (champs électromagnétiques de fréquence radio), recommandées dans le code de sécurité 6 de Santé Canada. Ces directives intègrent une marge de sécurité importante destinée à assurer la sécurité de tous, indépendamment de l'âge et de la santé.

Par conséquent, les systèmes sont conçus pour être exploités en évitant que l'utilisateur n'entre en contact avec les antennes. Il est recommandé de poser le système là où les antennes sont à une distance minimale telle que précisée par l'utilisateur conformément aux directives réglementaires qui sont conçues pour réduire l'exposition générale de l'utilisateur ou de l'opérateur.

Distance d'exposition RF
20 cm

Santé Canada affirme que la littérature scientifique actuelle n'indique pas qu'il faille prendre des précautions particulières lors de l'utilisation d'un appareil sans fil. Si vous voulez réduire votre exposition encore davantage, selon l'agence, vous pouvez facilement le faire en réorientant les antennes afin qu'elles soient dirigées à l'écart de l'utilisateur, en les plaçant à une distance d'éloignement supérieure à celle recommandée ou en réduisant la puissance de sortie de l'émetteur.

Additional Information on RF Exposure

You can find additional information on the subject at the following links:

- Cisco Systems Spread Spectrum Radios and RF Safety white paper at this URL: http://www.cisco.com/warp/public/cc/pd/witc/ao340ap/prodlit/rfhr_wi.htm
- FCC Bulletin 56: Questions and Answers about Biological Effects and Potential Hazards of Radio Frequency Electromagnetic Fields
- FCC Bulletin 65: Evaluating Compliance with the FCC guidelines for Human Exposure to Radio Frequency Electromagnetic Fields

You can obtain additional information from the following organizations:

- World Health Organization Internal Commission on Non-Ionizing Radiation Protection at this URL: www.who.int/emf
- United Kingdom, National Radiological Protection Board at this URL: www.nrpb.org.uk
- Cellular Telecommunications Association at this URL: www.wow-com.com
- The Mobile Manufacturers Forum at this URL: www.mmfa.org

Declaration of Conformity Statements

All the Declaration of Conformity statements related to this product can be found at the following location: <https://pas.cisco.com/pdncnc/#/>