



CHAPTER 3

Hardware Installation

This chapter includes procedures for installing and removing the rack handles of the mobility services engine system.



Note

The mobility services engine does not contain user serviceable internal components.

This chapter contains the following sections:

- [Before You Begin, page 3-1](#)
- [Installing and Removing the Rack Handles, page 3-2](#)

Before You Begin

Before you begin the installation, read the *Regulatory Safety and Compliance Information for the Cisco 3310 Mobility Services Engine* document that shipped with your device.

This section contains the following topics:

- [Tools and Supplies Needed, page 3-1](#)
- [System References, page 3-1](#)



Warning

Read the installation instructions before connecting the system to the power source. Statement 1004

Tools and Supplies Needed

- Phillips* (cross head) screwdriver, #1 bit and #2 bit
- Antistatic wrist strap and conductive foam pad

System References

All references to left, right, front, top, and bottom assume the reader is facing the front of the mobility services engine system as it would be positioned for normal operation.

Installing and Removing the Rack Handles

The mobility services engine is shipped with rack handles pre-installed, so that the product can be easily affixed to an equipment rack. This section includes procedures for removing and reinstalling the rack handles.

This section contains the following topics:

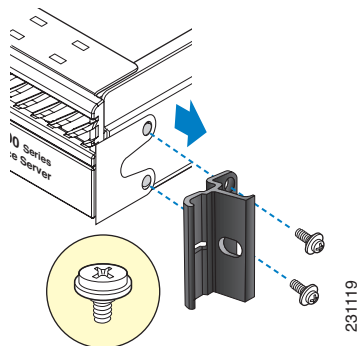
- [Removing the Rack Handles](#)
- [Installing the Rack Handles](#)

Removing the Rack Handles

To remove rack handles from a mobility services engine:

-
- Step 1** Review the information in the [“Safety Warnings”](#) section on page 2-1 and the [“Safety Guidelines”](#) section on page 2-3.
- Step 2** Power down the mobility services engine and unplug all peripheral devices and the AC power cable.
- Step 3** Remove the two screws that hold the rack handle and the bezel in place, and remove the rack handle from the mobility services engine as shown in [Figure 3-1](#).
- Step 4** Reattach the bezel with the screws.

Figure 3-1 Removing the Rack Handle



- Step 5** Repeat [Step 3](#) and [Step 4](#) on the opposite side of the system.
- Step 6** Plug all peripheral devices and the AC power cable into the mobility services engine.
-

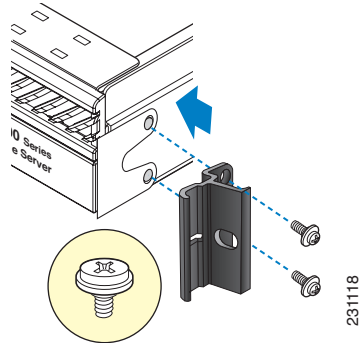
Installing the Rack Handles

To reinstall the rack handles on a mobility services engine:

-
- Step 1** Review the information in the [“Safety Warnings”](#) section on page 2-1 and the [“Safety Guidelines”](#) section on page 2-3.
- Step 2** Power down the device and all attached devices. Disconnect the power cord and all external cables.

- Step 3** Remove the two screws that attach the bezel to the chassis.
- Step 4** Attach the rack handle to the mobility services engine with the two screws as shown in [Figure 3-2](#).

Figure 3-2 Installing the Rack Handle



- Step 5** Repeat [Step 3](#) and [Step 4](#) on the opposite side of the mobility services engine.
- Step 6** Plug all peripheral devices and the AC power cable into the mobility services engine.
-

