



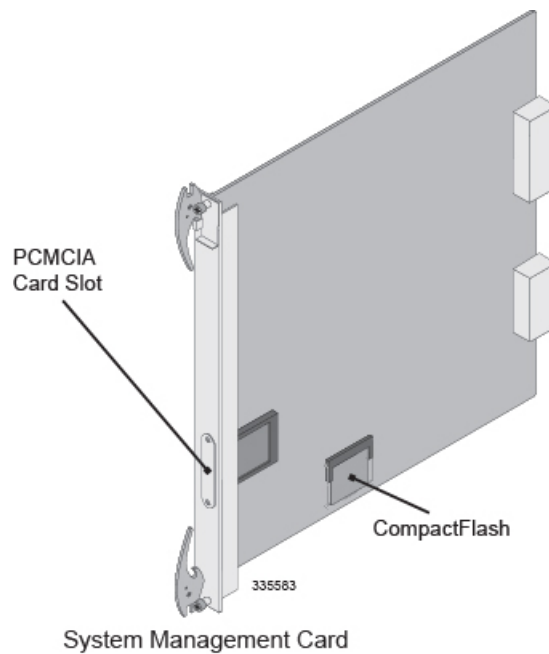
Removing and Installing SMC PC Cards

The ASR 5000 supports the use of PC Cards, also known as PCMCIA cards. These cards store software images, configuration files, and other data. Each SMC incorporates a single PCMCIA slot on its front panel.

PC Cards are optional components. If your deployment requires the use of PC Cards, follow these instructions to safely install and remove the cards. The card slot accepts one ATA Type I or Type II PCMCIA card.

Location of PCMCIA Slot

Figure 1: Location of PCMCIA Card on SMC



This chapter provides information and instructions for removing and installing the SMC's PCMCIA memory cards. It includes the following sections:

- [Installing PC Cards, page 2](#)
- [Removing PC Cards, page 3](#)

Installing PC Cards

This section provides instructions for installing a PC Card in the SMC.

If you are performing an initial installation of a PC Card, begin with step 1. If you are replacing a PC Card that you have removed according to the procedures in [Removing PC Cards, on page 3](#), begin with step 4.

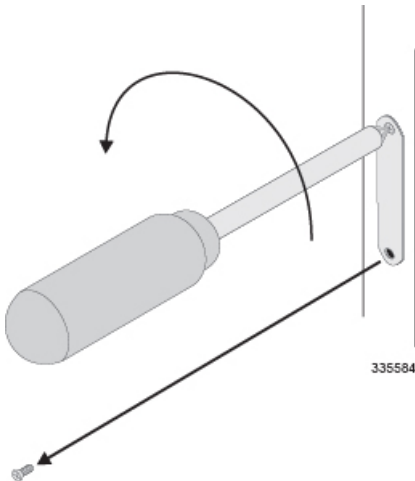


Caution

During installation, maintenance, and/or removal, wear a grounding wrist strap to avoid ESD damage to the components. Failure to do so could result in damage to sensitive electronic components and potentially void your warranty

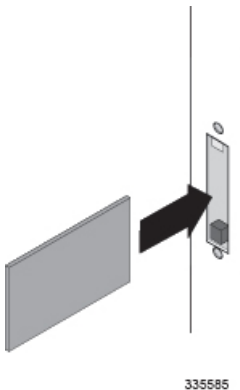
Step 1 Identify the slot where you are installing the PC Card.

Step 2 Use a Phillips #1 screwdriver to remove the two screws securing the PC Card slot cover.

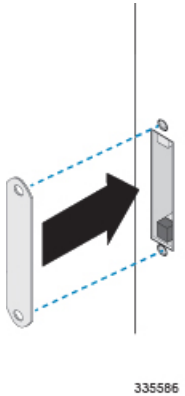


Step 3 Remove the PC Card slot cover.

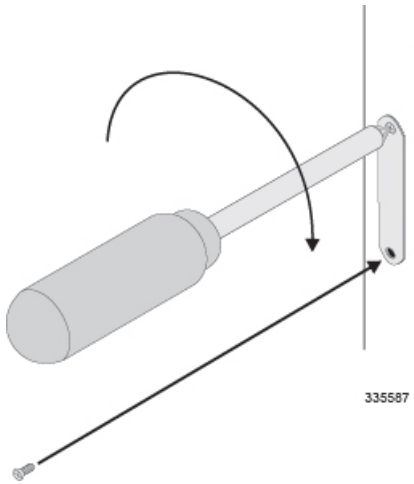
Step 4 Align the PC Card with the slot's upper and lower card guides and slide the card into the slot until it can go no further. The face/top of the PC Card, typically where the manufacturer's brand name information is located on the label, should be facing to the right side of the card.



Step 5 Align the PC Card slot cover over the open slot.



Step 6 Use the two screws that you removed in step 2 and a Phillips #1 screwdriver to secure the PC Card slot cover.



Removing PC Cards

Follow these instructions to remove a PC Card from the SMC.

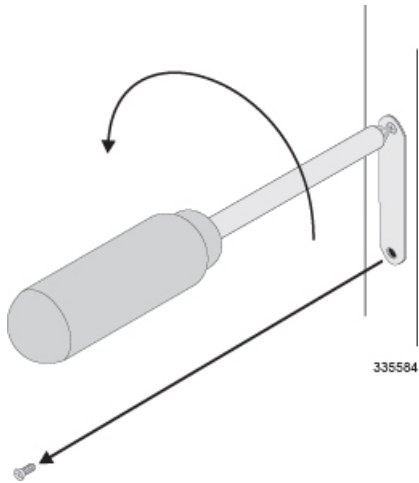


Caution

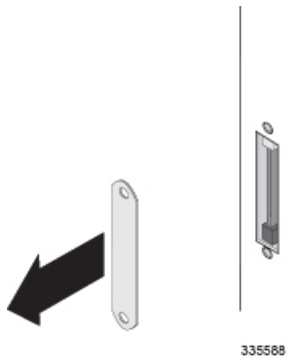
During installation, maintenance, and/or removal, wear a grounding wrist strap to avoid ESD damage to the components. Failure to do so could result in damage to sensitive electronic components and potentially void your warranty.

Step 1 Identify the slot from which the PC Card will be removed.

Step 2 Use a Phillips #1 screwdriver to remove the two screws securing the PC Card slot cover.

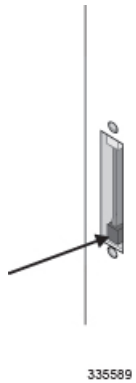


Step 3 Remove the PC Card slot cover.

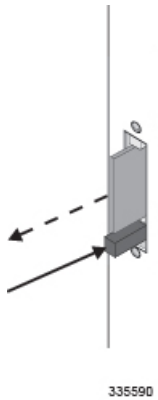


Step 4 Eject the PC Card from the slot.

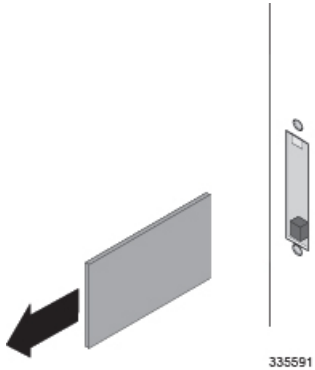
a) Press and release the PC Card ejector button once to release and fully extend it.



b) Firmly press the PC Card ejector button a second time to eject the card.

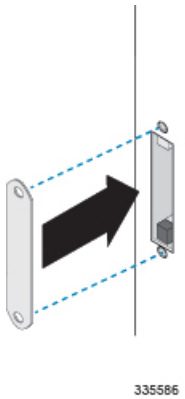


Step 5 Grasp the PC Card and pull it out of the slot.



Important If you are installing a replacement PC Card, follow the instructions in [Installing PC Cards](#).

Step 6 Align the PC Card slot cover over the open slot.



Step 7 Use the two screws that you removed in step 2 of this procedure and a Phillips #1 screwdriver to fasten the PC Card slot cover.

