



# Support for Common access-type in twan-profile for EoGRE-PMIP Calls

- [Feature Summary and Revision History, on page 1](#)
- [Feature Description, on page 2](#)
- [How it Works, on page 2](#)
- [Configuring Eogre-PMIP access-type in twan-profile, on page 11](#)
- [Configuring AVP, on page 11](#)
- [Limitations, on page 11](#)
- [Monitoring and Troubleshooting, on page 12](#)

## Feature Summary and Revision History

### Summary Data

Applicable Product(s) or Functional Area	SaMOG
Applicable Platform(s)	Cisco ASR 5500
Default Setting	Disabled - Configuration Required
Related Changes in This Release	Not Applicable
Related Documentation	<ul style="list-style-type: none"><li>• <i>Command Line Interface Reference</i></li><li>• <i>SaMOG Administration Guide</i></li></ul>

### Revision History

Revision Details	Release
In this release, SaMOG access-type, supports cisco-mpc-protocol-interface attribute-value pair.	21.22.11
First introduced.	21.21

## Feature Description

SaMOG supports the common access-type, **eogre-pmip**, in a twan-profile to handle both PMIP and EoGRE calls. Because of this common access-type the RADIUS client is mapped with two different access types by defining in one twan-profile. SaMOG allows same RADIUS Client IP to be used for PMIP and EoGRE calls.

**AVP Enhancement:** In this StarOS release 21.22 and later releases, SaMOG access-type, **eogre-pmip**, supports cisco-mpc-protocol-interface attribute-value pair (AVP) to configure one of the following values:

- none: Selecting this value configures cisco-mpc-protocol-interface AVP as none. It is neither eogre nor pmipv6.
- eogre: Selecting this value configures cisco-mpc-protocol-interface AVP as eogre.
- pmipv6: Selecting this value configures cisco-mpc-protocol-interface AVP as pmipv6.
- suppress: Selecting this value suppresses cisco-mpc-protocol-interface AVP and it is not sent to the Access-Accept message.

## How it Works

This section describes how common access types work in the following scenarios:

- Attach Call flow with PMIP Access-Type
- Attach Call Flow with EoGRE Access-Type
- EoGRE to PMIP Handover
- PMIP to EoGRE Handover

## Attach Call Flow with PMIP Access-Type

Attaching call flows with Proxy Mobile IP (PMIP) and Ethernet over GRE (EoGRE) are performed simultaneously in SaMOG. The access-type is set up after receiving Proxy Binding Update (PBU) or DHCP request from Wireless LAN Controller (WLC). The call flows explain the twan-profile that is configured with new access-type **eogre-pmip**.

Figure 1: Call Flow

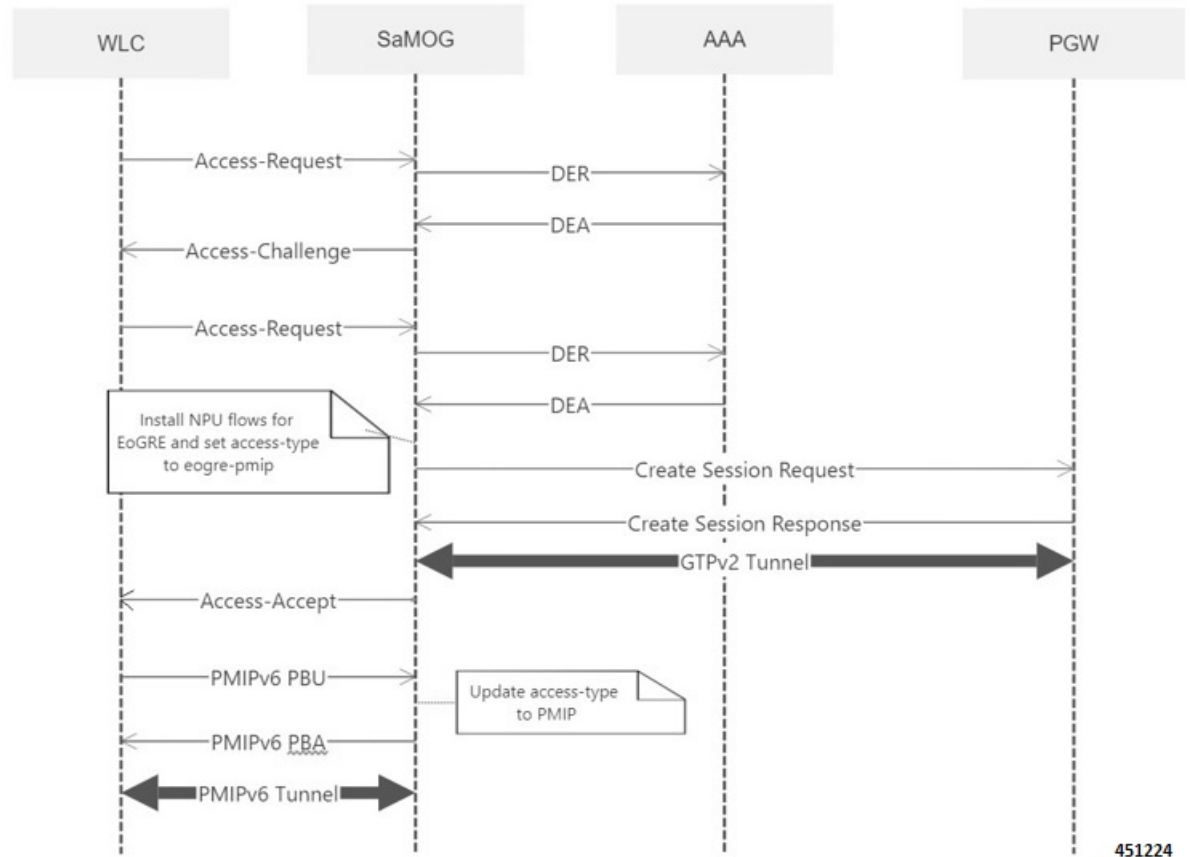


Table 1: Procedure

Step	Description
1	The UE initiates an initial attach procedure towards the WLC. The WLC forms an Access-Request message with the EAP-Identity payload, User-Name and Acct-Session-Id, and sends the same to SaMOG.
2	SaMOG forms a Radius Access-Request or Diameter DER message towards the AAA server using the attributes received from the WLC.
3	The AAA server performs an Extensible Authentication Protocol (EAP) authentication and sends the Access-Challenge or DEA to SaMOG with the EAP payload
4	SaMOG copies the EAP payload to the Access-Challenge towards WLC. The WLC sends an EAP request towards UE.
5	The UE sends an EAP response. The WLC sends the Access-Request to SaMOG with the EAP payload received from the UE.

Step	Description
6	SaMOG sends the Access-Request or DER to the AAA server with the EAP payload.
7	The AAA server fetches the subscriber profile from HLR/HSS and validates the EAP Challenge response sent from the UE. The Access-Accept/DEA is sent to SaMOG with the user profile and EAP Success payload. SaMOG saves the user profile information. After UE authentication, SaMOG installs the NPU flows related to EoGRE and sets the access-type to <b>eogre-pmip</b> .
8	SaMOG performs DNS procedures towards the DNS server to get the P-GW/GGSN IP address.
9	SaMOG delays sending the Access-Accept to the WLC and initiates S2a/Gn procedures towards P-GW/GGSN, by including the IMEIs V IE with the UE MAC value received as <b>Calling-Station-ID</b> AVP in the Access-Request, if sending of IE is enabled through configuration.
10	SaMOG sends Access-Accept to the WLC with EAP-Success payload after completion of S2a or Gn procedures. The WLC sends EAP-Success to the UE.
11	The UE sends DHCP discover (broadcast) request to the WLC. The WLC acts as a DHCP server and initiates PMIPv6 PBU towards SaMOG for L3 Attachment by including the NAI and Service-Selection parameters
12	SaMOG processes the received PMIPv6 PBU and responds back with a PMIPv6 PBA by including the allocated home-address by P-GW/GGSN and the default gateway IP address. SaMOG updates the access-type to PMIP based on the received PBU message
13	The WLC sends a DHCP offer towards the UE with the allocated UEs IP address and the default gateway.
14	The UE sends DHCP request to the WLC for DHCP, by including router options and the allocated UE's IP address for further confirmation. The WLC sends DHCP Ack message to the UE.  If proxy accounting is enabled, SaMOG will proxy accounting messages between the WLC and AAA server.
15	The UE performs ARP request for the default gateway received from SaMOG. The WLC includes the virtual MAC address in the ARP response for the received Default gateway IP address in the ARP.

## Attach Call Flow with EoGRE Access-Type

This section explains the initialization call flow and procedure of EoGRE calls.

Figure 2: Call Flow

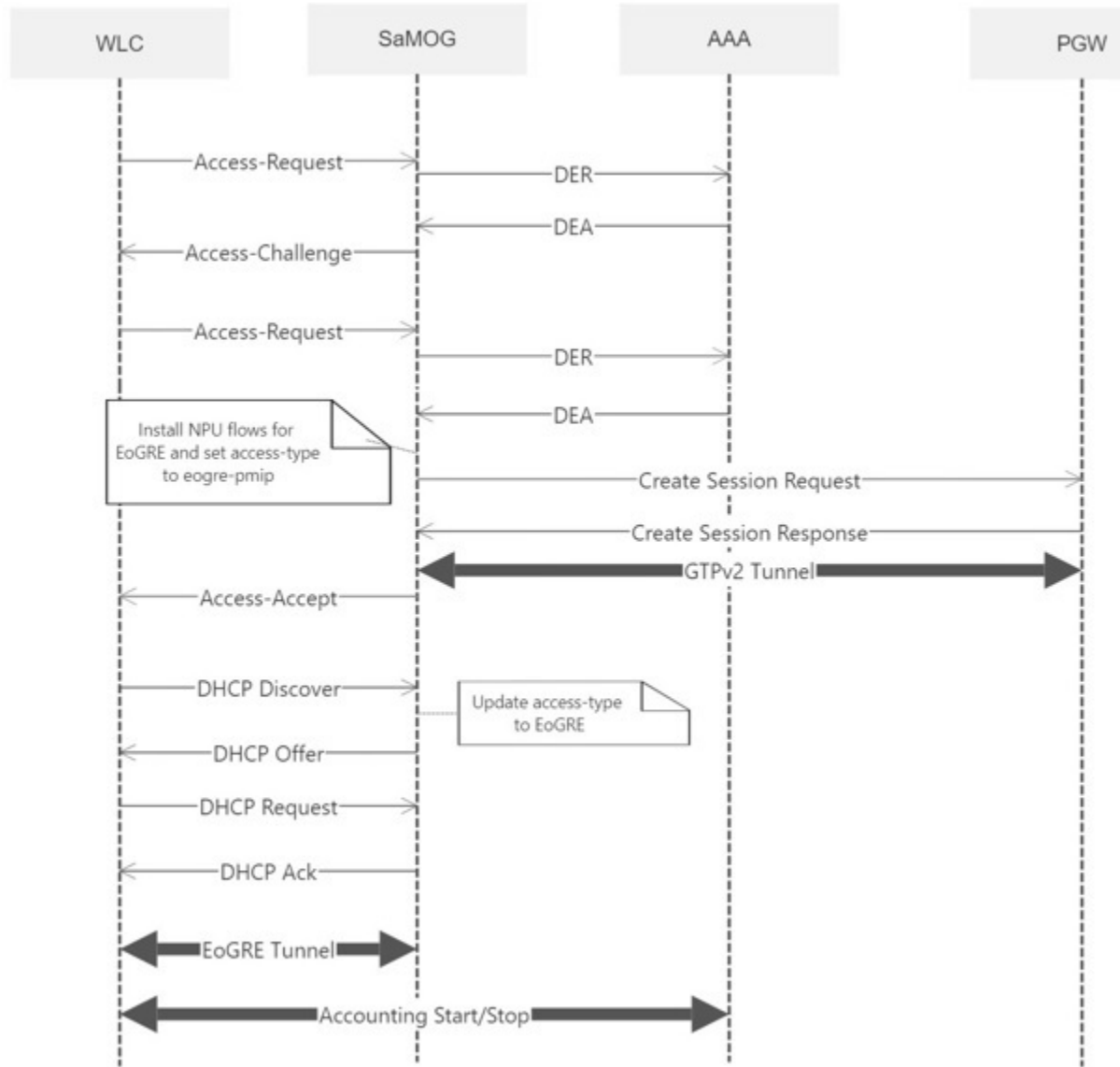


Table 2: Procedure

Step	Description
1	The UE initiates an initial attach procedure towards the Wireless LAN Controller (WLC). The WLC forms an Access-Request message with the EAP-Identity payload, User-Name and Acct-Session-Id, and sends the same to SaMOG.
2	SaMOG forms a Radius Access-Request or Diameter DER message towards the AAA server using the attributes received from the WLC.

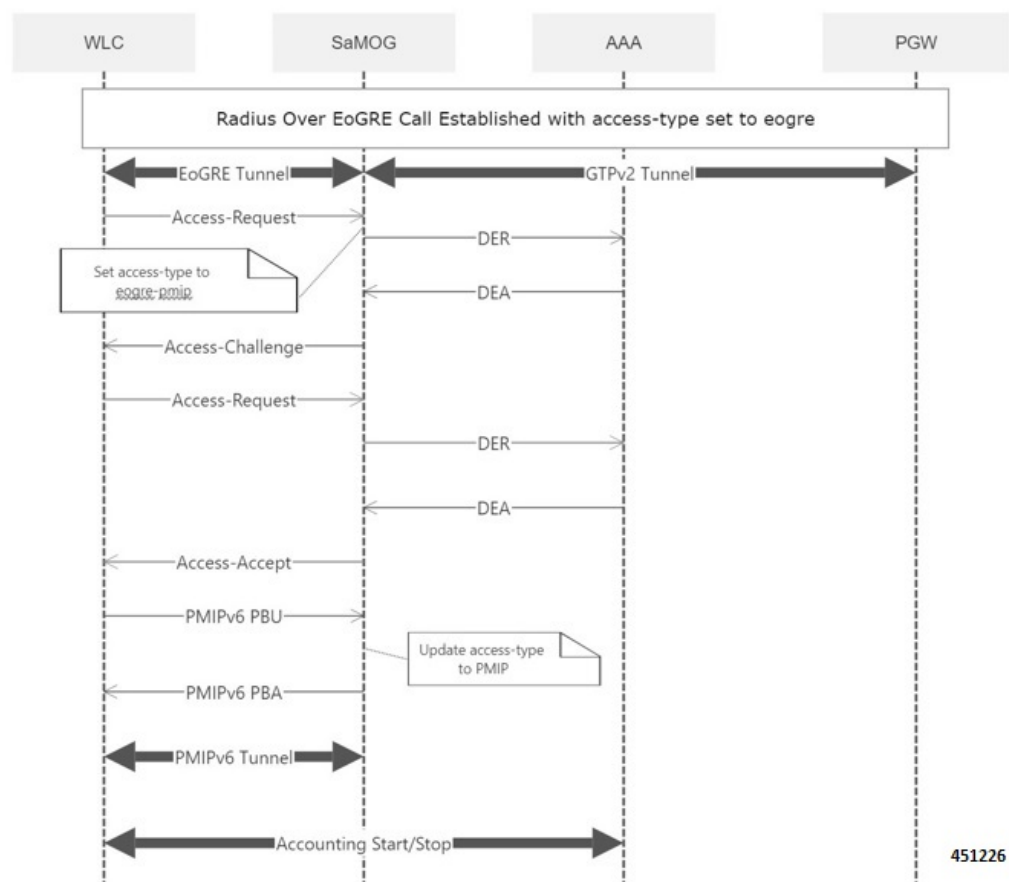
Step	Description
3	The AAA server performs an EAP authentication and sends the Access-Challenge or DEA to SaMOG with the EAP payload.
4	SaMOG copies the EAP payload to the Access-Challenge towards WLC. The WLC sends an EAP Request towards UE.
5	The UE sends an EAP response. The WLC sends the Access-Request to SaMOG with the EAP payload received from the UE.
6	SaMOG sends the Access-Request or DER to the AAA server with the EAP payload.
7	The AAA server fetches the subscriber profile from HLR/HSS and validates the EAP Challenge response sent from the UE. The Access-Accept/DEA is sent to SaMOG with the user profile and EAP Success payload. SaMOG saves the user profile information. After UE authentication, SaMOG installs the NPU flows related to EoGRE and sets the access-type to <b>eogre-pmip</b> .
8	SaMOG performs DNS procedures towards the DNS server to get the P-GW/GGSN IP address.
9	SaMOG delays sending the Access-Accept to the WLC and initiates S2a/Gn procedures towards P-GW/GGSN, by including the IMEIs V IE with the UE MAC value received as <b>Calling-Station-ID</b> AVP in the Access-Request, if sending of IE is enabled through configuration.
10	SaMOG sends Access-Accept to the WLC with EAP-Success payload after completion of S2a/Gn procedures. The WLC sends EAP-Success to the UE.
11	The UE sends DHCP discover (broadcast) request to the WLC. The WLC acts as a DHCP server and initiates DHCP discover over EoGRE tunnel towards SaMOG for L3 Attachment.
12	SaMOG processes the received PMIPv6 PBU and responds back with a PMIPv6 PBA by including the allocated home-address by P-GW/GGSN and the default gateway IP address. SaMOG updates the access-type to EoGRE based on the received DHCP Discover message.
13	The WLC sends a DHCP offer towards the UE with the allocated UE's IP address and the default gateway. The UE sends DHCP request to the WLC for DHCP, by including router options and the allocated UE's IP address for further confirmation. The WLC acts as a DHCP server and initiates a DHCP Request over the EoGRE tunnel towards SaMOG.
14	SaMOG processes the received DHCP Request over the EoGRE tunnel and respond back with a DHCP Ack over the EoGRE tunnel by including the DNS Parameters in the router options. The WLC sends a DHCP Acknowledgement towards the UE.  If proxy accounting is enabled, SaMOG will proxy accounting messages between the WLC and AAA server.

Step	Description
15	The UE performs an ARP request for the default gateway received from SaMOG. The WLC sends the ARP request packets over the EoGRE tunnel and SaMOG responds back with an ARP Response over the EoGRE tunnel by including the virtual MAC address of the default gateway.

## EoGRE to PMIP Handover

This section explains the handover call flow and procedure of EoGRE to PMIP calls.

**Figure 3: Call Flow**



**Table 3: Procedure**

Step	Description
1	UE is attached to the network as described in the PMIP call flow.
2	The WLC forms an Access-Request message with the EAP-Identity payload, User-Name and Acct-Session-Id, and sends the same to SaMOG.

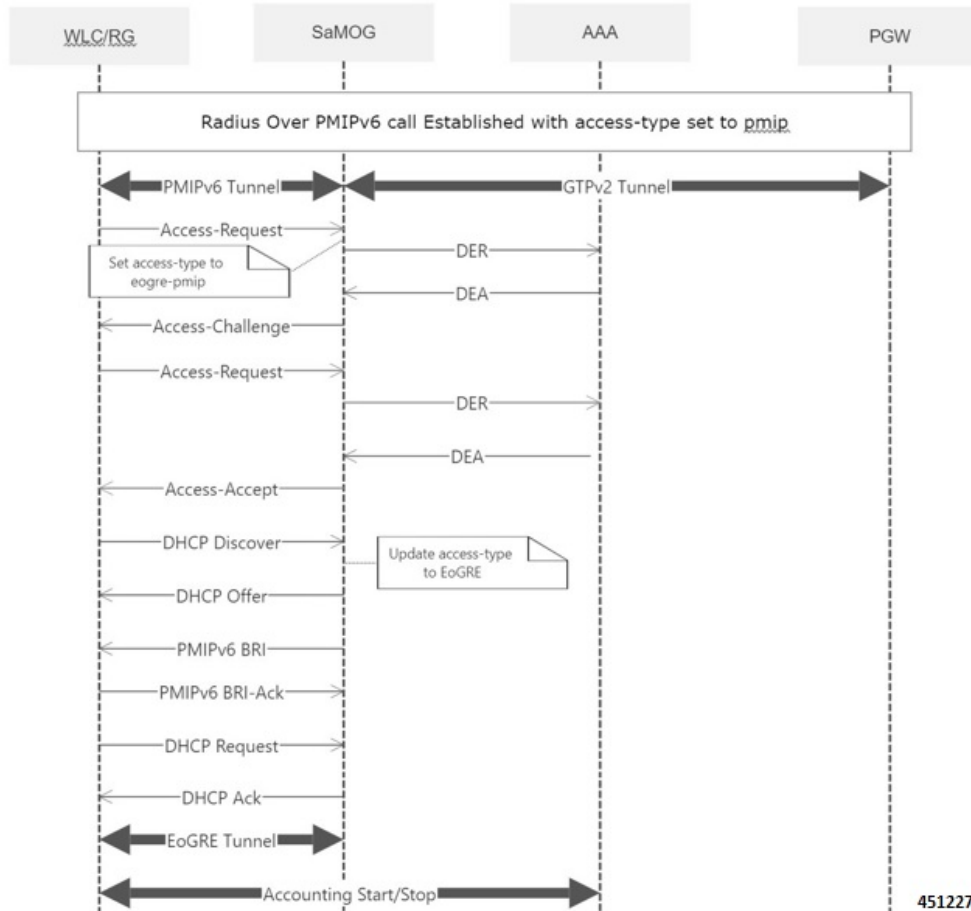
Step	Description
3	SaMOG treats the call as a handoff request based on the twan-profile configuration (with access-type as eogre-pmip). The access-type is set to eogre-pmip as this could be an EoGRE to PMIP or an EoGRE to EoGRE case.
4	SaMOG forms a Radius Access-Request or Diameter DER message towards the AAA server using the attributes received from the WLC.
5	The AAA server performs an EAP authentication and sends the Access-Challenge/DEA to SaMOG with the EAP payload.
6	SaMOG copies the EAP payload to the Access-Challenge towards WLC. The WLC sends an EAP Request towards UE.
7	The UE sends an EAP response. The WLC sends the Access-Request to SaMOG with the EAP payload received from the UE.
8	SaMOG sends the Access-Request/DER to the AAA server with the EAP payload.
9	The AAA server fetches the subscriber profile from HLR/HSS and validates the EAP Challenge response sent from the UE. The Access-Accept/DEA is sent to SaMOG with the user profile and EAP Success payload. SaMOG saves the user profile information.
10	SaMOG sends Access-Accept to the WLC with EAP-Success payload after completion of authentication procedures. The WLC sends EAP-Success to the UE.
11	The UE sends DHCP discover (broadcast) request to the WLC. The WLC acts as a DHCP server and initiates PMIPv6 PBU towards SaMOG for L3 Attachment by including the NAI and Service-Selection parameters.
12	SaMOG will process the received PMIPv6 PBU and responds back with a PMIPv6 PBA by including the allocated home-address by P-GW/GGSN and the default gateway IP address.  SaMOG updates the access-type to PMIP based on the received PBU message.
13	The WLC sends a DHCP offer towards the UE with the allocated UE's IP address and the default gateway. The UE sends DHCP request to the WLC for DHCP, by including router options and the allocated UE's IP address for further confirmation. The WLC sends DHCP Ack message to the UE.
14	If proxy accounting is enabled, SaMOG will proxy accounting messages between the WLC and AAA server.



## PMIP to EoGRE Handover

This section explains the handover call flow and procedure of Proxy Mobile IP (PMIP) to Ethernet over GRE (EoGRE) calls.

**Figure 4: Call Flow**



**Table 4: Procedure**

Step	Description
1	UE is attached to the network as described in the PMIP call flow.
2	The UE initiates an initial attach procedure towards the Wireless LAN Controller (WLC). The WLC forms an Access-Request message with the <b>EAP-Identity payload</b> , <b>User-Name</b> and <b>Acct-Session-Id</b> , and sends the same to SaMOG.
3	SaMOG treats the call as a handoff request based on the twan-profile configuration (with access-type as eogre-pmip). The access-type is set to eogre-pmip as this could be a PMIP to PMIP or a PMIP to EoGRE case.

Step	Description
4	SaMOG forms a Radius Access-Request or Diameter DER message towards the AAA server using the attributes received from the WLC.
5	The AAA server performs an Extensible Authentication Protocol (EAP) authentication and sends the Access-Challenge/DEA to SaMOG with the EAP payload.
6	SaMOG copies the EAP payload to the Access-Challenge towards WLC. The WLC sends an EAP Request towards the UE.
7	The UE sends an EAP response. The WLC sends the Access-Request to SaMOG with the EAP payload received from the UE.
8	SaMOG sends the Access-Request/DER to the AAA server with the EAP payload.
9	The AAA server fetches the subscriber profile from HLR/HSS and validates the EAP Challenge response sent from the UE. The Access-Accept/DEA is sent to SaMOG with the user profile and EAP Success payload. SaMOG saves the user profile information.
10	SaMOG sends Access-Accept to the WLC with EAP-Success payload after completion of S2a/Gn procedures. The WLC sends EAP-Success to the UE.
11	The UE sends DHCP discover (broadcast) request to the WLC. The WLC acts as a DHCP server and initiates DHCP discover over EoGRE tunnel towards SaMOG for L3 Attachment.
12	SaMOG will process the received DHCP discover over EoGRE tunnel and responds back with a DHCP Offer over the EoGRE tunnel by including the allocated home-address by P-GW/GGSN and the default gateway IP address.  SaMOG updates the access-type to EoGRE based on the received DHCP Discover message.
13	The WLC sends a DHCP offer towards the UE with the allocated UE's IP address and the default gateway. The UE sends DHCP request to the WLC for DHCP, by including router options and the allocated UE's IP address for further confirmation. The WLC acts as a DHCP server and initiates a DHCP Request over the EoGRE tunnel towards SaMOG.
14	SaMOG processes the received DHCP Request over the EoGRE tunnel and respond back with a DHCP Ack over the EoGRE tunnel by including the DNS Parameters in the router options. The WLC sends a DHCP Ack towards the UE.  If proxy accounting is enabled, SaMOG will proxy the accounting messages between the WLC and the AAA server.

## Configuring Eogre-PMIP access-type in twan-profile

Use the following configuration to configure **eogre-pmip** access type. The **eogre-pmip** access type is configured only with radius trigger type.

```
configure
  context context_name
    twan-profile profile_name
      access-type eogre-pmip
    end
```

### Notes:

- **access-type eogre-pmip** : Enables EoGRE or PMIP Access type for all clients under profile.




---

**Note** The **eogre-pmip** cannot be configured in combination with other access-types like EoGRE, PMIP and IP.

---

## Configuring AVP

Use the following command to configure cisco-mpc-protocol interface.

```
configure
  context context_name
    twan-profile profile_name
      [ no ] radius cisco-mpc-protocol-interface
      cisco-mpc-protocol-interface_value
    end
```

### NOTES:

- **cisco-mpc-protocol-interface**: Configures cisco-mpc-protocol-interface AVP for access-type eogre-pmip.
- *cisco-mpc-protocol-interface\_value*: cisco-mpc-protocol-interface value. You can enter one of the values, none, eogre, pmipv6, suppress.
- **no**: Removes configuration for cisco-mpc-protocol-interface AVP.

## Limitations

The Common access-type in twan-profile feature has the following limitations:

- Supports only Access-Types (EoGRE/PMIPv6). IP Access-Type is not supported.
- Supports only Radius Access-Request trigger type. DHCP, PMIP, and Accounting-based trigger types are not supported.
- Support is limited to GTPv2 based s2a interface.

- Because IP Access-Type is not supported, Handover (HO) scenarios from/to IP Access-Type to/from EoGRE/PMIP access-types are not supported.
- The new access-type **eogre-pmip** is applicable only for radius Access-Request trigger type.
- The new access-type **eogre-pmip** cannot be configured with other access-types (EoGRE, PMIP, IP) in other twan-profiles.

## Monitoring and Troubleshooting

### Show commands and Outputs

#### Show twan-profile

The following details are displayed to the output of the **show twan-profile { all | name profile\_name }** command in support of this feature:

```

TWAN Profile Name      : twan1
  Access-Type Client List
    Default Access Type      : EOGRE-PMIP
    Default Radius Dictionary : custom 70
    Session Trigger Type     : Radius
    Location reported from DHCP Option 82 : Not Enabled

```

**Table 5: show twan-profile Command Output Descriptions**

Field	Description
TWAN Profile Name	Name of the TWAN profile
<b>Access-Type Client List</b>	
cisco-mpc-protocol-interface	Indicates cisco-mpc-protocol-interface AVP configuration for access-type eogre-pmip.
Default Access Type	Default access type set for the TWAN profile. Access type for the TWAN profile for RADIUS-based session trigger is Eogre-PMIP.  If access-type is not configured, then default value would be PMIP. When configured, the appropriate access-type is displayed in this field.
Default Radius Dictionary	Default RADIUS dictionary used for the TWAN profile.  The default RADIUS dictionary can be one of the following: <ul style="list-style-type: none"> <li>• custom70 for non-Cisco WLC</li> </ul>

Field	Description
Session Trigger Type	The session trigger type set for the TWAN profile. Session Trigger type must be only <b>Radius</b> .
Location reported from DHCP Option 82	Shows whether the Location reported from DHCP Option 82 is enabled or disabled.

Show twan-profile