

Assembling Cisco Aironet 1550 Series Access Point Strand-Mount Kits

April 2011
78-20001-01

This document describes how to assemble the strand-mount brackets for Cisco Aironet 1550 Series Outdoor Access Points, and how to attach the brackets to the unit.

Contents

[Safety Precautions, page 2](#)

[Tools Required, page 3](#)

[Assembling the Right Bracket, page 4](#)

[Assembling the Left Bracket, page 5](#)

[Attaching the Brackets to the Access Point, page 6](#)



Americas Headquarters:
Cisco Systems, Inc., 170 West Tasman Drive, San Jose, CA 95134-1706 USA

Safety Precautions



Warning

This warning symbol means danger. You are in a situation that could cause bodily injury. Before you work on any equipment, be aware of the hazards involved with electrical circuitry and be familiar with standard practices for preventing accidents. Use the statement number provided at the end of each warning to locate its translation in the translated safety warnings that accompanied this device.

Statement 1071

SAVE THESE INSTRUCTIONS



Warning

Only trained and qualified personnel should be allowed to install, replace, or service this equipment. Statement 1030

For your safety, read and follow these safety precautions.

1. Before you install the equipment, contact your Cisco account representative to explain which mounting method to use.
2. Find someone to help you—installing outdoor equipment is often a two-person job.
3. Select your installation site with safety, as well as performance, in mind. Remember that electric power lines and phone lines look alike. For your safety, assume that any overhead line can kill you.
4. Contact your electric power company. Tell them your plans and ask them to come look at your proposed installation.
5. Plan your installation carefully and completely before you begin. Each person involved in an installation should be assigned to a specific task and should know what to do and when to do it. One person should be in charge of the operation to issue instructions and watch for signs of trouble.
6. When installing your equipment, follow these guidelines:
 - a. Do not use a metal ladder.
 - b. Do not work on a wet or windy day.
 - c. Do dress properly—wear shoes with rubber soles and heels, rubber gloves, and a long-sleeved shirt or jacket.

7. If the assembly starts to drop, move away from it and let it fall. Because the equipment is often an excellent conductor of electrical current, even the slightest touch of any of its parts to a power line completes an electrical path through the equipment and the installer.
8. If any part of the equipment should come in contact with a power line, do not touch it or try to remove it yourself. Call your local power company to have it removed safely.
9. If an accident should occur with the power lines, call for qualified emergency help immediately.

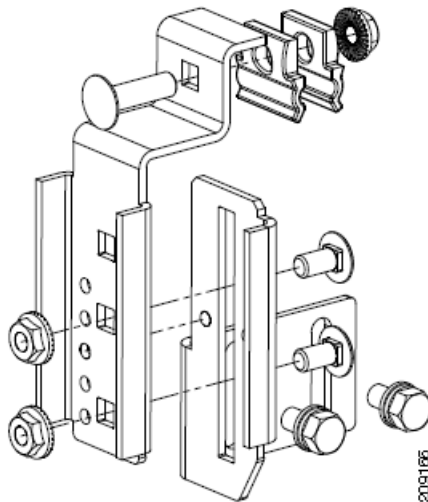
Tools Required

You need a ½-in (13-mm) wrench or socket to tighten the nuts and bolts in the mounting kit.

Assembling the Right Bracket

Use two small carriage bolts to attach the two halves of the bracket together, as shown in [Figure 1](#). Use a ½-in (13-mm) wrench to tighten the nuts. Use a large carriage bolt and nut to attach the strand clamp to the top of the bracket. Do not tighten the clamp until you attach the access point to the strand.

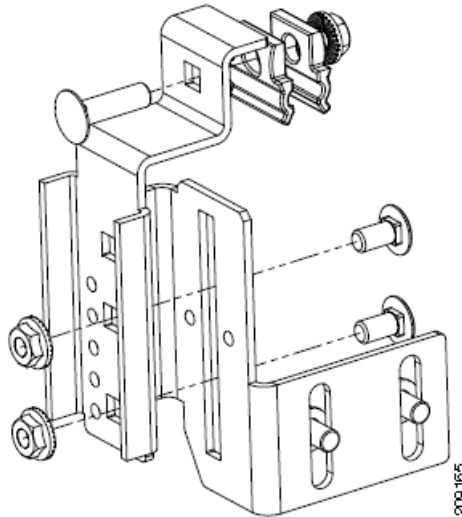
Figure 1 *Assembling the Right Bracket*



Assembling the Left Bracket

Use two small carriage bolts to attach the two halves of the bracket together, as shown in [Figure 2](#). Use a ½-in (13-mm) wrench to tighten the nuts. Use a large carriage bolt and nut to attach the strand clamp to the top of the bracket. Do not tighten the clamp until you attach the access point to the strand.

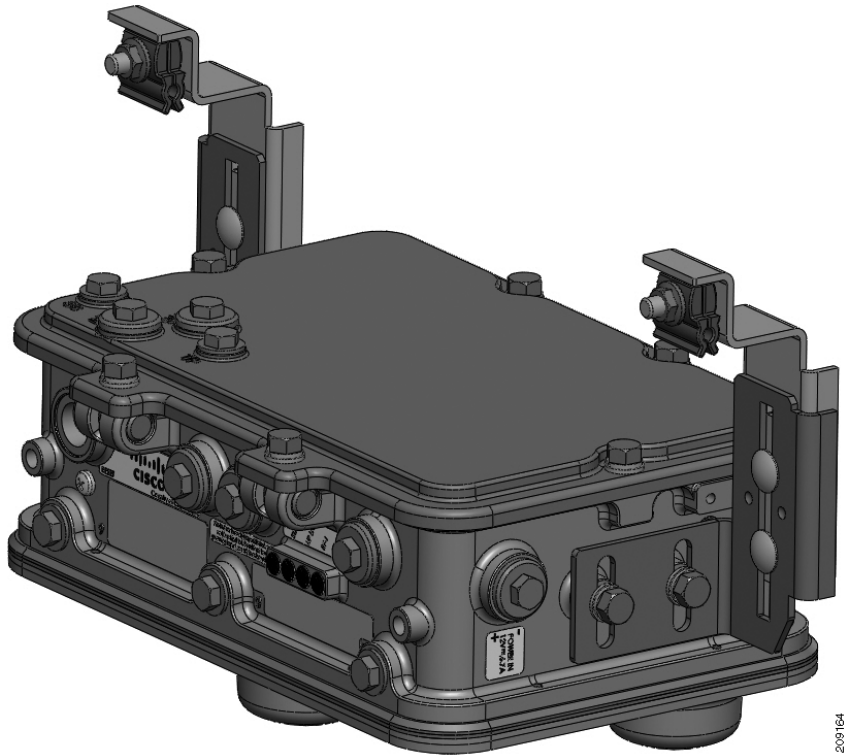
Figure 2 *Assembling the Left Bracket*



Attaching the Brackets to the Access Point

Use four bolts to attach the brackets to the access point, as shown in [Figure 3](#). Use a ½-in (13-mm) wrench to tighten the bolts.

Figure 3 Attaching the Brackets to the Access Point



Cisco and the Cisco Logo are trademarks of Cisco Systems, Inc. and/or its affiliates in the U.S. and other countries. A listing of Cisco's trademarks can be found at www.cisco.com/go/trademarks. Third party trademarks mentioned are the property of their respective owners. The use of the word partner does not imply a partnership relationship between Cisco and any other company. (1005R)

© 2011 Cisco Systems, Inc. All rights reserved.

♻️ Printed in the USA on recycled paper containing 10% postconsumer waste.