

# Installation Options for the Cisco UC320W

**September 2011**

This document provides instructions about the following installation options:

- [Wall Mounting, page 1](#)
- [Optional Power Cord Retention Kit, page 4](#)

## Wall Mounting

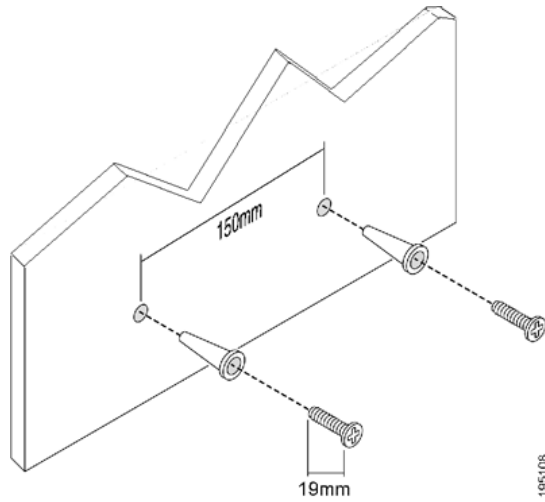
**Recommended hardware (not included):** #6 (0.1380 in. diameter) pan-head tapping screws, 3/4-in. (19mm), with anchors for sheet rock installation.

## Application Note

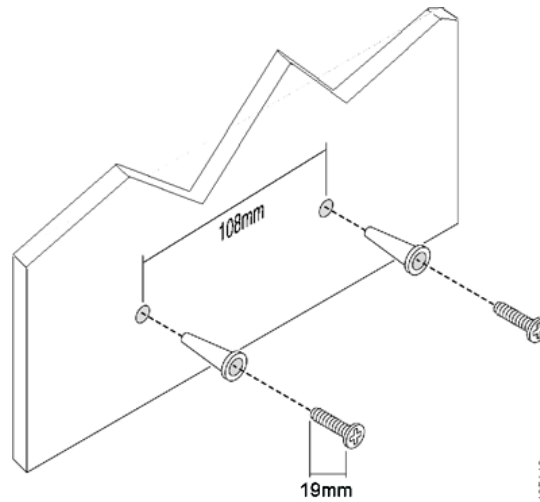
---

**STEP 1** Drill the holes as shown.

**Horizontal Orientation:**

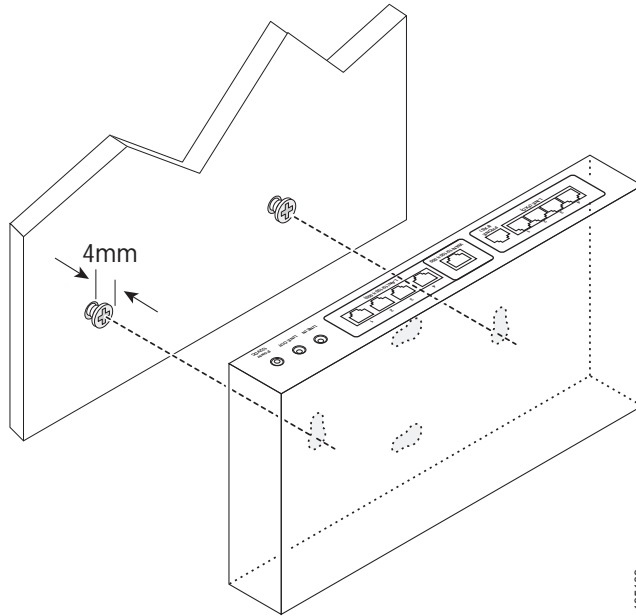


**Vertical Orientation**



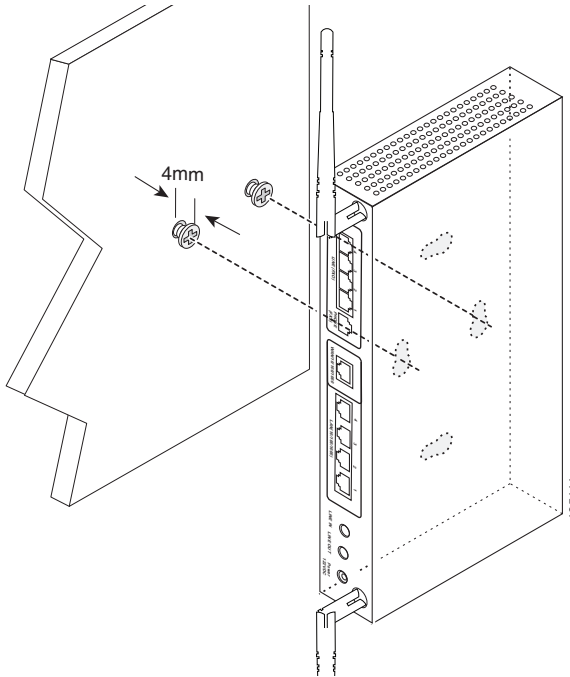
**STEP 2** Insert the screws, leaving a gap of 4mm between the screw head and the wall. Then mount the UC320W as shown.

### Horizontal Orientation



195109

### Vertical Orientation

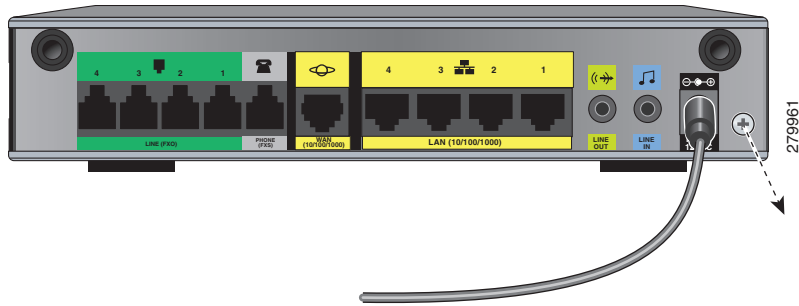


195111

## Optional Power Cord Retention Kit

Optionally, you can install the power cord retention kit to prevent accidental removal of the power cord.

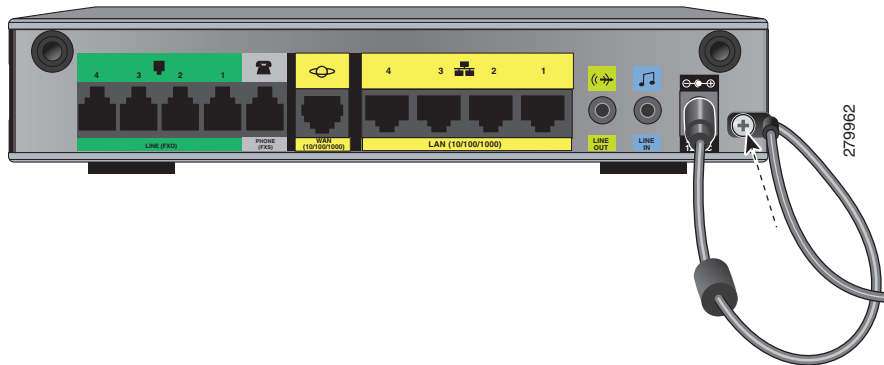
**STEP 1** Remove the screw next to the power port.



**STEP 2** Ensure that the power cord is firmly connected to the power port.

**STEP 3** Clip the power cord retention clamp to the power cord, about 10 to 12 inches from the connector.

**STEP 4** Position the clamp against the rear panel of the unit, and install the screw, as illustrated below.



## Where To Go From Here

Cisco provides a wide range of resources to help you and your customer obtain the full benefits of the Cisco UC320W.

<b>Support</b>	
Cisco Small Business Support Community	<a href="http://www.cisco.com/go/smallbizsupport">www.cisco.com/go/smallbizsupport</a>
Cisco Small Business Support and Resources	<a href="http://www.cisco.com/go/smallbizhelp">www.cisco.com/go/smallbizhelp</a>
Phone Support Contacts	<a href="http://www.cisco.com/go/sbsc">www.cisco.com/go/sbsc</a>
Cisco Small Business Firmware Downloads	<a href="http://www.cisco.com/go/software">www.cisco.com/go/software</a>
<b>Product Documentation</b>	
Unified Communications UC320W	<a href="http://www.cisco.com/go/uc300">www.cisco.com/go/uc300</a>
Smart Designs	<a href="http://www.cisco.com/go/partner/smartdesigns">www.cisco.com/go/partner/smartdesigns</a>
SPA300 Series IP Phones	<a href="http://www.cisco.com/go/300phones">www.cisco.com/go/300phones</a>
SPA500 Series IP Phones	<a href="http://www.cisco.com/go/spa500phones">www.cisco.com/go/spa500phones</a>
SA500 Series Security Appliances	<a href="http://www.cisco.com/go/sa500">www.cisco.com/go/sa500</a>
ESW500 Ethernet Switches	<a href="http://www.cisco.com/go/esw500help">www.cisco.com/go/esw500help</a>
SPA8800 IP Telephony Gateway	<a href="http://www.cisco.com/go/gateways">www.cisco.com/go/gateways</a>
<b>Cisco Small Business</b>	
Cisco Partner Central for Small Business (Partner Login Required)	<a href="http://www.cisco.com/web/partners/sell/smb">www.cisco.com/web/partners/sell/smb</a>
Cisco Small Business Home	<a href="http://www.cisco.com/smb">www.cisco.com/smb</a>

Cisco and the Cisco Logo are trademarks of Cisco Systems, Inc. and/or its affiliates in the U.S. and other countries. A listing of Cisco's trademarks can be found at [www.cisco.com/go/trademarks](http://www.cisco.com/go/trademarks). Third party trademarks mentioned are the property of their respective owners. The use of the word partner does not imply a partnership relationship between Cisco and any other company. (1005R)

© 2011 Cisco Systems, Inc. All rights reserved.

78-20408-01