



## Features and Additional Configurations

---

After you have completed the basic setup for Mobile and Remote Access, use this chapter to configure features and optional configurations for MRA.

- [Deployment Partitions, on page 1](#)
- [Push Notifications over MRA, on page 3](#)
- [Fast Path Registration, on page 6](#)
- [Enable SIP Path Headers, on page 6](#)
- [SIP Trunks Between Unified CM and Expressway-C, on page 7](#)
- [BiB Recording over MRA, on page 8](#)
- [HTTP Allow List, on page 9](#)
- [Dial via Office Reverse over MRA, on page 12](#)
- [Multi-cluster Best Practices, on page 14](#)
- [Multidomain Best Practices, on page 16](#)
- [Session Persistency, on page 21](#)

## Deployment Partitions

A deployment is an abstract boundary that is used to enclose a domain and one or more Unified Communications service providers (such as Unified CM, Cisco Unity Connection, and IM and Presence Service nodes). The purpose of multiple deployments is to partition the Unified Communications services available to Mobile and Remote Access (MRA) users. So different subsets of MRA users can access different sets of services over the same Expressway pair.

We recommend that you do not exceed ten deployments.

Deployments and their associated domains and services are configured on the Expressway-C.

One primary deployment (called "Default deployment" unless you rename it) automatically encloses all domains and services until you create and populate additional deployments. This primary deployment cannot be deleted, even if it is renamed or has no members.

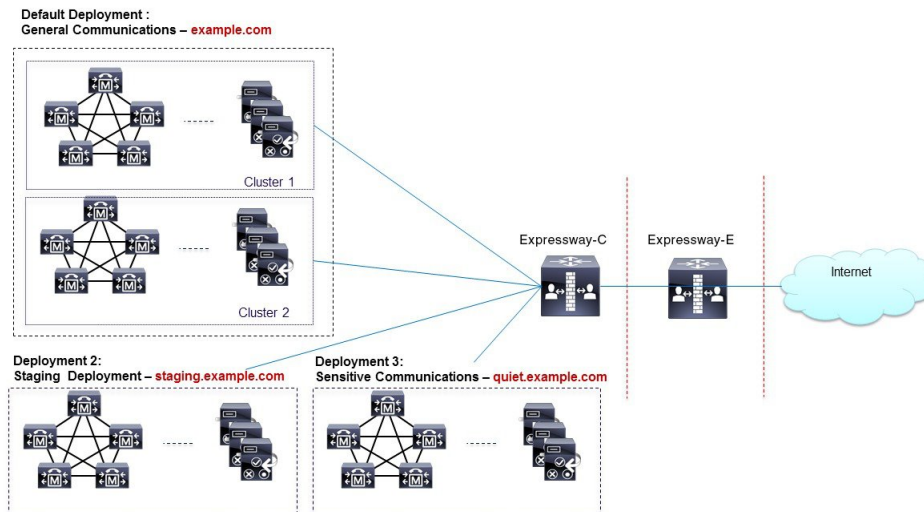
To partition the services that you provide through Mobile and Remote Access, create as many deployments as you need. Associate a different domain with each one, and then associate the required Unified Communications resources with each deployment.

You cannot associate one domain with more than one deployment. Similarly, each Unified Communications node may only be associated with one deployment.

## Example

Consider an implementation of two sets of Unified Communications infrastructure to provide a live MRA environment and a staging environment, respectively. This implementation might also require an isolated environment for sensitive communications, as a third set.

**Figure 1: Multiple Deployments to Partition Unified Communications Services Accessed from Outside the Network**



## Assign Deployment Partitions for UC Services

Use this optional procedure if you have multiple internal UC clusters and you want to partition internal UC services by creating a boundary. One example where this might be useful is if you have a cluster for enterprise UC services and a second staging cluster.



**Note** If you don't create any new deployments, then all internal UC applications belong to a single enterprise-wide Default Deployment.

- Step 1** On Expressway-C, create your deployments:
- Go to **Configuration > Unified Communications > Deployments** and click **New**.
  - Create the new deployment.
  - Repeat for each deployment that want to add.
- Step 2** Assign UC domains to your deployments:
- Go to **Configuration > Domains**.
  - Select the domain that you want to assign.
  - Select the **Deployment** that you want to assign to this domain.
  - Click **Save**.
  - Repeat this step to assign deployments to additional domains.

**Step 3** Assign UC Services to your Deployments:

- a) Go to **Configuration > Unified Communications** and select the relevant UC application.
  - b) Select the server that you want to assign.
  - c) In the **Deployment** field, select the deployment you want to assign.
  - d) Click **Save**.
  - e) Repeat for each node on each UC cluster.
- 

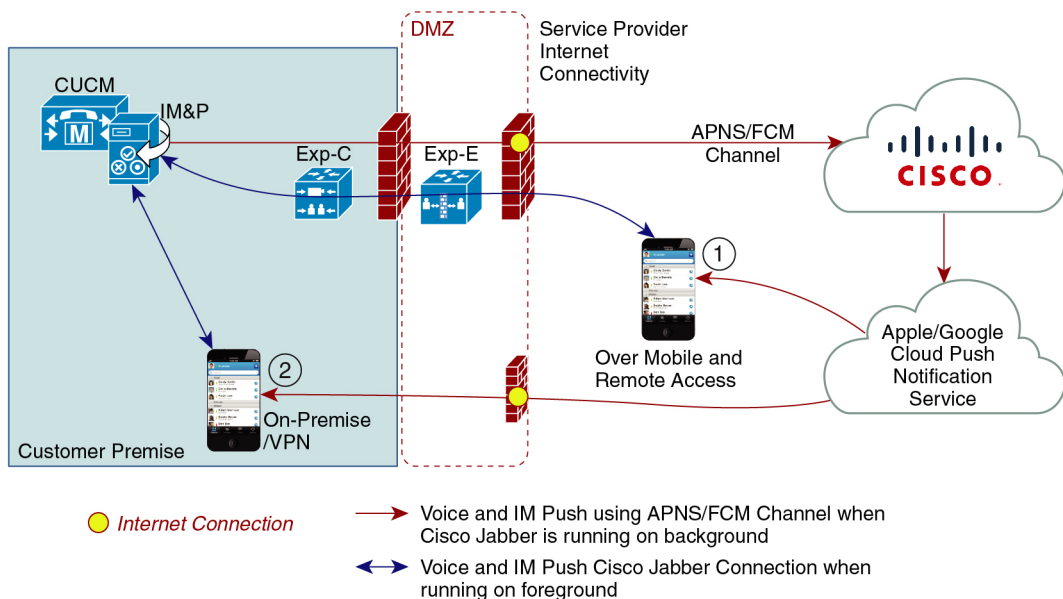
## Push Notifications over MRA

If your MRA deployment includes Cisco Jabber or Webex clients that run on iOS or Android devices, you must deploy Push Notifications. Without Push Notifications, your system may not be able to send calls or messages to clients that have entered into background mode.

### How Push Notifications Work

When your cluster is enabled for Push Notifications, Cisco Unified Communications Manager and the IM and Presence Service use either the Apple or Google cloud's Push Notification service to send push notifications for calls and messages to Cisco Jabber or Webex clients that run on iOS or Android devices. Push Notifications let your system communicate with the client, even after it has entered into background mode (also known as suspended mode). Without Push Notifications, the system may not be able to send calls or messages to clients that have entered into background mode.

At startup, mobile and remote Cisco Jabber or Cisco Webex clients that are installed on Android and iOS platform devices register to Cisco Unified Communications Manager and the IM and Presence Service via Expressway-E. So long as the client remains in foreground mode, new calls or messages can be sent to the client via Expressway-E. However, once the client moves to background mode, standard communication channels are unavailable. Push Notifications provides an alternative channel to reach the client via the appropriate partner cloud (Apple or Google).



449023

### Push Notifications Requirements

No specific configuration is needed on the Expressway for Push Notifications, assuming Expressway-E is already providing Mobile and Remote Access (MRA) for Jabber iOS devices. However, these prerequisites and recommendations apply:

- Push Notifications in the Expressway require a network connection between Cisco Jabber and the Push Notification servers in the Apple cloud. They cannot work in a private network, with no internet connection.
- Expressway is already providing Mobile and Remote Access for Jabber for iPhone and iPad. MRA must be fully configured (domain, zone, server settings).
- Depending on your Unified CM configuration, you may need a forward proxy to send Push Notifications to the Cisco Collaboration Cloud.
- We recommend using self-describing token authorization.
- Expressway-E restart required for Push Notifications with instant messages. After you enable Push Notifications on the IM and Presence Service you need to restart the Expressway-E. Until the restart, Expressway-E cannot recognize the push capability on IM and Presence Service and does not send PUSH messages to the Jabber clients.

## Configure Push Notifications for MRA

The following requirements exist when deploying Push Notifications over MRA:

- OAuth token validation must be configured on Expressway.
- Unified CM must be configured to use a forward proxy server for HTTPS connections to Cisco cloud services.



**Note** The former built-in forward proxy in Expressway is removed from the product in X12.6.2 and later versions. For earlier Expressway versions, the built-in forward proxy is not supported and should not be used.

For detailed procedures, see [Push Notifications Deployment Guide](#).

## Enable Push Notifications for Android Devices

This feature is enabled through the Expressway command line interface.

The CLI command to enable PUSH for Android over MRA: **xConfiguration XCP Config FcmService: On**



- Note**
- Perform this **only** if all IM and Presence Service nodes that service Android users are also running a supported release.
  - This feature must be turned on Expressway-E only.
  - IM and Presence services for users who are currently signed in over MRA will be disrupted when this command is used, so those users will need to sign in again.

The table gives a perspective of Expressway CLI enable/disable command for Android Push Notification. Administrators can decide whether they should turn the CLI command *On* or *Off*.

**Table 1: Solution Matrix**

Mixed version IM&P clusters	Expected status of FCM flag on Expressway X12.7	Comment
Any 11.5(1) SU with 12.5(1) SU2 (and lower)	OFF	Android push (FCM) NOT supported
11.5(1) SU8 (and lower) OR 12.5(1) SU2 (and lower) with 12.5(1) SU3	OFF	Android push (FCM) NOT supported
11.5(1) SU8 (and lower) OR 12.5(1) SU2 (and lower) with 12.5(1) SU4 (and higher)	OFF	Android push (FCM) supported on 12.5(1) SU4 (and higher) version
11.5(1) SU9 (and higher) OR 12.5(1) SU4 (and higher) with 12.5(1) SU3	ON	Android push (FCM) supported on all 12.5(1) versions
11.5(1) SU9 (and higher) with 12.5(1) SU4 (and higher)	Flag not required (Expressway X12.7 relies fully on new discovery mechanism)	Android push (FCM) supported on 12.5(1) SU4 (and higher) version

# Fast Path Registration

## Configure Fast Path Registration

When Fast Path Registration is enabled, Expressway caches the initial routing calculation and then uses a Pre-Routed Route Header to route subsequent packets using the cached routing result. This feature reduces the server workload, leading to increased capacities.

---

On Expressway-E, set both the Digest Cache Interval and Digest Cache Lifetime to 7200 with the following commands:

- `xConfiguration Authentication Remote Digest Cache ExpireCheckInterval: "7200"`
  - `xConfiguration Authentication Remote Digest Cache Lifetime: "7200"`
- 

## Enable SIP Path Headers

The default setting for Expressway-C is to rewrite the Contact header in SIP REGISTER messages. When you enable SIP Path Headers, Expressway-C adds its address into the Path header but does not rewrite the Contact header. This setting is required for some features to work over MRA, including:

- Shared Lines and Multiple Lines
- BiB Call Recording
- Silent Monitoring
- Key Expansion Modules



---

**Note** It's recommended that you deploy a minimum Unified CM release of 11.5(1)SU4. For details, see CSCvd84831.

---

- 
- Step 1** On Expressway-C turn on SIP Path headers:
- a) On Expressway-C go to **Configuration > Unified Communications > Configuration**.
  - b) Set **SIP Path headers** to **On**.
  - c) Click **Save**.

- Step 2** After saving your settings, refresh Unified CM Servers:
- a) Go to **Configuration > Unified Communications > Unified CM Servers**.
  - b) Click **Refresh Servers**.
-

# SIP Trunks Between Unified CM and Expressway-C

Expressway deployments for Mobile and Remote Access do not require SIP trunk connections between Unified CM and Expressway-C. Note that the automatically generated neighbor zones between Expressway-C and each discovered Unified CM node are not SIP trunks.

However, you may still configure a SIP trunk if required. (For example, to enable B2B callers or endpoints registered to Expressway to call endpoints registered to Unified CM.)

If a SIP trunk is configured, you must ensure that it uses a different listening port on Unified CM from that used for SIP line registrations to Unified CM. An alarm is raised on Expressway-C if a conflict is detected.

The ports used for SIP trunks are configured on both Unified CM and Expressway.

See [Cisco Expressway SIP Trunk to Unified CM Deployment Guide](#) for more information about configuring a SIP trunk.

See [Configure OAuth on UC Applications](#) for information on how to configure OAuth-based authorization for SIP trunks.

## Configure SIP Ports for Trunk Connections

If you have configured a SIP trunk between Expressway and Cisco Unified Communications Manager, use this procedure to configure the port settings that the trunk uses.

- 
- Step 1** Configure SIP line registration listening ports on Unified CM:
- From Cisco Unified CM Administration, choose **System > Cisco Unified CM**.
  - Set the **SIP Phone Port** to **5060**.
  - Set the **SIP Phone Secure Port** to **5061**.
  - Click **Save**.
- Step 2** Configure SIP trunk listening ports on Unified CM:
- From Cisco Unified CM Administration, choose **System > Security > SIP trunk Security Profile**.
  - Click **Find** and select the profile that you are using for the SIP trunk.
  - Configure the **Incoming Port** to be different from the Line ports.
  - Click **Save** and then click **Apply Config**.
- Step 3** Configure SIP trunk listening ports on Expressway:
- On Expressway-C, go to **Configuration > Zones > Zones**
  - Select the Unified CM neighbor zone that is used for the SIP trunk.
  - Set the **SIP Port** to the same value as the **Incoming Port** that was configured in the SIP Trunk Security Profile.
  - Click **Save**.
-

# BiB Recording over MRA

The Expressway supports Built-in-Bridge (BiB) recording over MRA. This feature can help organizations to comply with the phone recording requirements of the European Union's Markets in Financial Instruments Directive (MiFID II).

## How it Works

- BiB can be used to record the audio portion of calls that are made or received by users working off-premises.
- BiB is always enabled on the Expressway.
- BiB is configurable on Cisco Unified Communications Manager. When BiB is enabled, Unified CM forks the call to and from the endpoint to a media recording server.

## Bandwidth and Capacity Requirements

If you plan to use this feature, be aware that it has significant impact on bandwidth and call capacity:

- It requires additional network bandwidth to be provisioned. Details are provided in the “Capacity Planning for Monitoring and Recording” section of the [Cisco Collaboration System 12.x Solution Reference Network Designs \(SRND\)](#). Enabling BiB for MRA endpoints typically needs double bandwidth as, assuming both sides of the call are recorded, each BiB-enabled call consumes double the usual bandwidth.
- Enabling BiB on MRA endpoints reduces the overall call capacity of Expressway nodes down to approximately one-third of their original capacity. This is because each call that is being recorded has two additional SIP dialogs associated with it (so essentially equivalent to three calls).

## Configuration Requirements

To deploy BiB Recording over MRA, configure the following:

- BiB Recording must be configured on Cisco Unified Communications Manager. For detailed procedures, see the “Call Recording” chapter of the *Feature Configuration Guide for Cisco Unified Communications Manager*.
- SIP Path Headers must be enabled on Expressway. For details, see [Enable SIP Path Headers, on page 6](#).

In addition, the following requirements must be met:

- Compatible clients are required:
  - Cisco Jabber for Windows 11.9
  - Cisco Jabber for Mac 11.9
  - Cisco Jabber for iPhone and iPad 11.9
  - Cisco Jabber for Android 11.9
  - Cisco IP Phone 7800 Series, Cisco IP Conference Phone 7832, or Cisco IP Phone 8800 Series devices which support MRA (not all these phones are MRA-compatible)



- The phones which currently support MRA are listed in the MRA Infrastructure Requirements section of this guide or ask your Cisco representative for details.
- Registrar/call control agent: Cisco Unified Communications Manager 11.5(1)SU3 BiB is not supported on Expressway-registered endpoints.
- Edge traversal: Expressway X8.11.1 or later
- Recording server: Out of scope for this document. (Information about configuring recording for Cisco Unified Communications Manager is available in the *Feature Configuration Guide for Cisco Unified Communications Manager*.)

## HTTP Allow List

The HTTP Allow list is a type of access list for HTTP services. Expressway-C adds both inbound and outbound rules automatically. For example, Expressway adds inbound rules automatically that allow external clients to access the Unified Communications nodes that were discovered during MRA configuration. These include Unified CM nodes (running CallManager and TFTP service), IM and Presence Service nodes, and Cisco Unity Connection nodes.

However, in some cases, you may need to edit the inbound rules to allow certain types of access. You cannot edit outbound rules.

- To view Inbound rules, go to **Configuration > Unified Communications > HTTP allow list > Automatic inbound rules**.
- To view Outbound rules, go to **Configuration > Unified Communications > HTTP allow list > Automatic outbound rules**.

### Editing the HTTP Allow List

You can add your own inbound rules to the HTTP Allow List if remote clients need to access other web services inside the enterprise. For example, these services may require you to configure the allow list:

- Jabber Update Server
- Cisco Extension Mobility
- Directory Photo Host
- Managed File Transfer
- Problem Report Tool server
- Visual Voicemail

<link to Appendix and other places for more info>

You can't add outbound rules to the HTTP Allow List. In addition, you can't edit or delete auto-added rules in the list.



**Note** For the Managed File Transfer feature to work across Expressway, make sure that all Unified CM IM and Presence Service nodes appear on the allow list, whether manually or automatically added.

**Automatic Inbound Rules**

Expressway automatically edits the HTTP allow list when you discover or refresh Unified Communications nodes. This page shows the discovered nodes, and the rules that apply to those nodes.

The first list is Discovered nodes, and contains all the nodes currently known to this Expressway-C. For each node, the list contains the node's address, its type, and the address of its publisher.

The second list is the rules that have been added for you, to control client access to the different types of Unified Communications nodes. For each type of node in your MRA configuration, you'll see one or more rules in this list. They are shown in the same format as the editable rules, but you cannot modify these rules.

*Table 2: Properties of Automatically Added Allow List Rules*

Column	Description
Type	This rule affects all nodes of the listed type: <ul style="list-style-type: none"> <li>• Unified CM servers: Cisco Unified Communications Manager nodes</li> <li>• IM and Presence Service nodes: Cisco Unified Communications Manager IM and Presence Service nodes</li> <li>• Unity Connection servers: Cisco Unity Connection nodes</li> <li>• TFTP: TFTP nodes</li> </ul>
Protocol	The protocol on which the rule allows clients to communicate with these types of nodes.
Ports	The ports on which the rule allows clients to communicate with these types of nodes.
Match type	<i>Exact</i> or <i>Prefix</i> . Depends on the nature of the service the clients access with the help of this rule.
Path	The path to the resource that clients access with the help of this rule. This may not be present or may only be a partial match of the actual resource, if the rule allows <i>Prefix</i> match.
Methods	The HTTP methods that will be allowed through by this rule (such as <b>GET</b> ).

## Edit the HTTP Allow List

**Step 1** Go to **Configuration > Unified Communications > HTTP allow list > Editable inbound rules** to view, create, modify, or delete HTTP allow list rules.

The page has two areas: one for controlling the default HTTP methods, and the other showing the editable rules.

**Step 2** (Optional) Use the check boxes to modify the set of default HTTP methods, then click **Save**.

You can override the defaults while you're editing individual rules. If you want to be as secure as possible, clear all methods from the default set and specify methods on a per rule basis.

When you change the default methods, all rules that you previously created with the default methods will use the new defaults.

**Step 3** [Recommended] Delete any rules you don't need by checking the boxes in the left column, then clicking **Delete**.

**Step 4** Click **New** to create a rule.

**Step 5** Configure the rule to your requirements.

Here is some advice for each of the fields.

**Table 3: Properties of Manually Added Allow List Rules**

Column	Description
Description	Enter a meaningful description for this rule, to help you recognize its purpose.
Url	Specify a URL that MRA clients can access. For example, to allow access to <b>http://www.example.com:8080/resource/path</b> , just type it in exactly like that. <ul style="list-style-type: none"> <li>• The protocol the clients are using to access the host must be <b>http://</b> or <b>https://</b></li> <li>• Specify a port when using a non-default port, for example, <b>:8080</b> (Default ports are 80 (http) and 443 (https))</li> <li>• Specify the path to limit the rule scope (more secure), for example, <b>/resource/path</b></li> </ul> If you select <b>Prefix match</b> for this rule, you can use a partial path or omit the path. Be aware that this could be a security risk if the target resources are not resilient to malformed URLs.
Allowed methods	Select <b>Use defaults</b> or <b>Choose methods</b> .  If you choose specific HTTP methods for this rule, they will override the defaults you chose for all rules.
Match type	Select <b>Exact match</b> or <b>Prefix match</b> .  Your decision here depends on your environment. It is more secure to use exact matches, but you may need more rules. It is more convenient to use prefix matches, but there is some risk of unintentionally exposing server resources.
Deployment	If you are using multiple deployments for your MRA environment, you also need to choose which deployment uses the new rule. You won't see this field unless you have more than one deployment.

**Step 6** Click **Create Entry** to save the rule and return to the editable allow list.

**Step 7** (Optional) Click **View/Edit** to change the rule.

## Upload Rules to the HTTP Allow List



---

**Note** You cannot upload outbound rules.

---

**Step 1** Go to **Configuration > Unified Communications > HTTP allow list > Upload rules**.

**Step 2** Browse to and select the CSV file containing your rule definitions.

See [Allow List Rules File Reference](#).

**Step 3** Click **Upload**.

The Expressway responds with a success message and displays the **Editable inbound rules** page.

---

## Dial via Office Reverse over MRA

Mobile workers need the same high quality, security, and reliability as when they place calls in the office. You can assure them of that when you enable the Dial via Office-Reverse (DVO-R) feature and they are using Cisco Jabber on a dual-mode mobile device. DVO-R routes Cisco Jabber calls through the enterprise automatically.

DVO-R handles call signaling and voice media separately. Call signaling, including the signaling for Mobile and Remote Access on Expressway, traverses the IP connection between the client and Cisco Unified Communications Manager. Voice media traverses the cellular interface and hairpins at the enterprise Public Switched Telephone Network (PSTN) gateway. Moving audio to the cellular interface ensures high-quality calls and securely maintained audio even when the IP connection is lost.

You can configure DVO-R so that, when a user makes a call, the return call from Cisco Unified Communications Manager goes to either:

- The user's Mobile Identity (mobile number).
- An Alternate Number for the user (such as a hotel room).

### Call Flow Examples for DVO-R over MRA

The following call flow describes a Dial via Office Reverse over MRA call when you are sending the return call to either a mobile identity or an alternate number. Refer to the subsequent images for illustrations of the call flow.

1. When you dial a number, a signal is sent to Cisco Unified Communications Manager over the IP path (WLAN or mobile network).
2. Cisco Unified Communications Manager calls your mobile number or the Alternate Number that you set.
3. When you answer, Cisco Unified Communications Manager extends the call to the number you dialed, and you hear ring back.

4. When the person answers, the ongoing call is hairpinned at the enterprise PSTN gateway and the following occurs:
  - With a mobile Identity, your call is anchored at the enterprise gateway. The call is active on your mobile and desk phone, so you can switch between the two.
  - With an alternate number, your ongoing call is not anchored, and you cannot pick up on your desk phone.

Figure 2: DVO-R over MRA with Mobile Identity

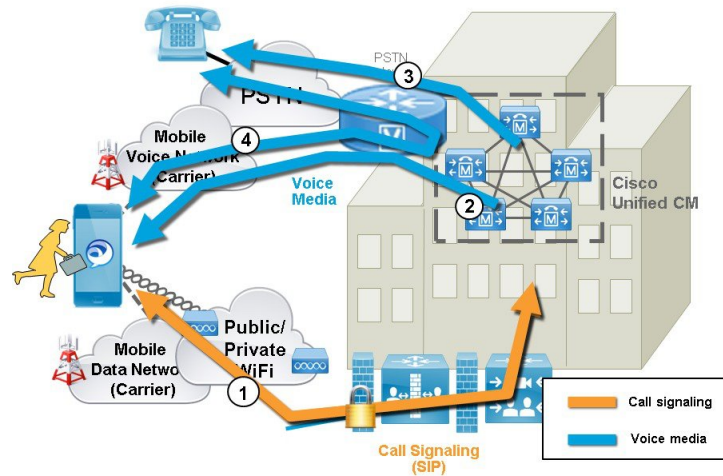
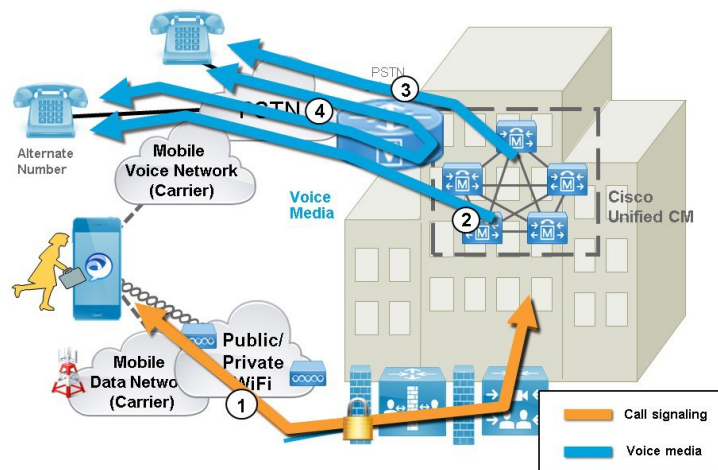


Figure 3: DVO-R over MRA with Alternate Number



**DVO Requirements**

This feature requires the following versions of related systems:

- Cisco Unified Communications Manager 11.0(1) or later
- Cisco Jabber 11.1 or later

**Additional Notes**

- You can use Dual Tone Multi Frequency-based (DTMF) mid-call features (for example \*81 for hold) on anchored calls if there is out-of-band DTMF relay between the PSTN gateway and Cisco Unified Communications Manager. You cannot utilize mid-call features when using an Alternate Number.
- To prevent the callback leg from Cisco Unified Communications Manager routing to your voicemail—thus stopping the voicemail call going through to the person you are dialing—Cisco recommends that you set your DVO-R voicemail policy to ‘user controlled’. This ensures you must generate a DTMF tone by pressing any key on the keypad before your call can proceed.

## Configure Dial via Office-Reverse over MRA

There is no Expressway configuration requirement to make DVO-R work over MRA. However, there is configuration that is required on the Unified CM nodes and Cisco Jabber clients. The high-level configuration is as follows:

- 
- Step 1** Set up Cisco Unified Communications Manager to support DVO-R.
  - Step 2** Set up DVO-R for each device.
  - Step 3** Set up user-controlled voicemail avoidance.
  - Step 4** Add Remote Destination (optional).
  - Step 5** Configure Cisco Jabber client settings.
- 



**Note** For a detailed configuration example that describes how to configure your UC applications and clients to make Dial via Office-Reverse to work over Mobile and Remote Access, see *Configuring Dial via Office-Reverse to Work with Mobile and Remote Access* at <https://www.cisco.com/c/en/us/support/docs/unified-communications/expressway/200198-Configuring-Dial-via-Office-Reverse-to-W.html>.

---

## Multi-cluster Best Practices

This section outlines tips and best practices for configuring multi-cluster MRA Deployments. Following are some Best Practices to keep in mind when configuring multi-cluster MRA deployments:

- Every Expressway-C cluster must be able to connect to every UC cluster. Otherwise, Expressway-C can't proxy requests to all the UC clusters. On the primary peer of each Expressway-C cluster, add the publisher node for each UC cluster that Expressway-C must reach and then refresh servers. This will populate Expressway-C with the remaining subscriber nodes from the various UC clusters.
- If some clusters are sharing SIP domains: you must enable the **Home Cluster** setting for each user so that each user is assigned to a specific cluster. This setting appears in the **End User Configuration** window of Cisco Unified Communications Manager.
- If you have multiple Unified CM clusters within the same domain, the Intercluster Lookup Service (ILS) is recommended, particularly for large intercluster networks. After an initial setup, ILS provides automatic Cluster Discovery and dial plan replication across the ILS network. However, note that ILS is not

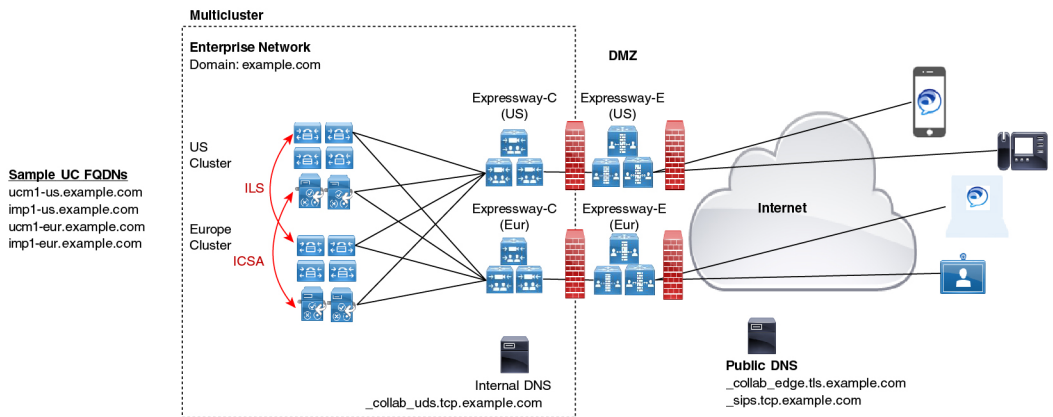
mandatory as you can configure cluster discovery manually. For details on how to configure an ILS network, see the *System Configuration Guide for Cisco Unified Communications Manager*.

- If you have multiple IM and Presence Service clusters within the same domain, you must configure intercluster peering with the Intercluster Sync Agent (ICSA) for the IM and Presence clusters that are in the same domain. For details on how to configure intercluster peering, see the *Configuration and Administration Guide for the IM and Presence Service*.
- If you have multiple edge clusters, configure load balancing between them:
  - If those edges are in same datacenter, you can use DNS SRVs for load balancing
  - If the edges are split across geographical boundaries (different cities or even continent), you can use GeoDNS, See below for an example of how to use GeoDNS SRV records to route requests to the appropriate Edge server:

### GeoDNS Examples for Multi-cluster

GeoDNS over MRA is supported for the specific purpose of providing the nearest Expressway when the client is relatively distant from the Expressway that is used for MRA. This helps to minimize latency and network delays.

The following example illustrates a multi-cluster deployment with two Expressway-C clusters that connect to multiple Unified CM clusters. This example uses a single domain, but with two geographically displaced Expressway clusters, thereby providing two enterprise edges. Depending on the DNS provider, you can apply GeoDNS to SRV or CNAME record (SRV is preferred if available). Following are two examples of how to use GeoDNS where there are two Edge domains (one Edge in Europe and another in the US).



The preferred SRV approach, if the DNS provider supports it, is to create SRV records with priority settings that are based on the user's location (for example, the US or Europe). The SRV uses the user's location and the priority setting that is assigned to each Edge server to determine the server to which the request is sent. If that request fails, the other server provides a backup option.

Table 4: GeoDNS in SRV Records (Preferred approach)

SRV Records	User Location	Route to... (priority)
_collab-edge.tls.example.com _sips_tcp.example.com	US	<ul style="list-style-type: none"> <li>• us-expc.example.com (10)</li> <li>• eur-expc.example.com (20)</li> </ul>
	Europe	<ul style="list-style-type: none"> <li>• eur-expc.example.com (10)</li> <li>• us-expc.example.com (20)</li> </ul>

Following is an example of a GeoDNS SRV configuration record that routes to two CNAME aliases (a main alias and a backup CNAME with a lower priority). Each CNAME record routes the call to different servers based on the user location. If the main CNAME fails, the backup CNAME sends the call to a server in a different region (a NA user is routed to a European-based Expressway).

Table 5: GeoDNS routing via CNAME

SRV Records	Route to CNAME (priority)	User Location	Route to...
_collab-edge.tls.example.com _sips_tcp.example.com	alias1.example.com (10)	US	us-expc.example.com
		Europe	eur-expc.example.com
	backup-alias1.example.com (20)	US	eur-expc.example.com
		Europe	us-expc.example.com



**Note** For SRV approach, leave the weight setting in the SRV the same for all records.



**Note** You may also need to configure geographically based Calling Search Spaces and partitions on Unified CM so that you can route calls based on the caller's location. For example, you can create geographically based calling search spaces (a CSS for a specific city) and place all the phones that are in that city within that CSS (one CSS may be called "New\_York\_CSS" and a different CSS may be called "Chicago\_CSS")

For a more detailed discussion, see "Scaling the Collaboration Edge Solution" in the *Preferred Architecture for Cisco Collaboration 12.x Enterprise On-Premises Deployments, CVD* at <https://www.cisco.com/c/en/us/td/docs/solutions/CVD/Collaboration/enterprise/12x/120/collbcvd/edge.html#pgfid-1081382>.

## Multidomain Best Practices

This section outlines domain-related information and configuration processes for customers whom want to deploy MRA with multiple domains. The ideal scenario for Mobile and Remote Access is a single domain for all Collaboration applications and endpoints, but this may not be possible in all cases. Depending on your

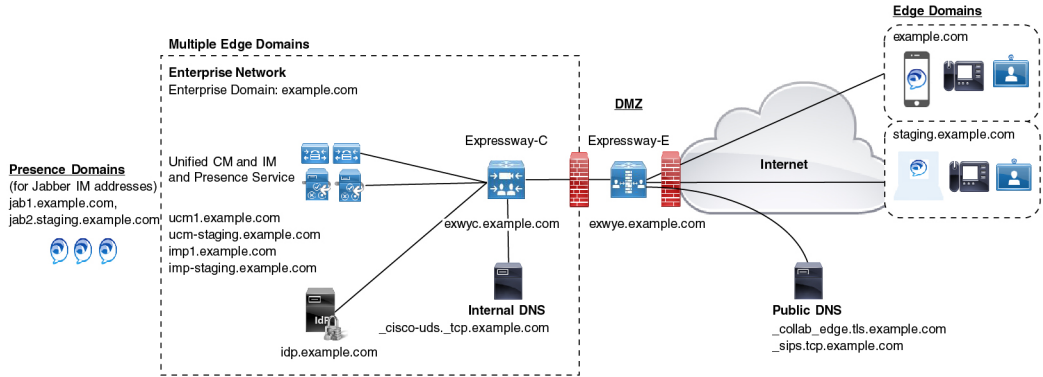


network, a multi-domain setup can have varying levels of complexity, so it's important to understand the different contexts within which the domain settings can be used.

### Multiple Edge Domains

The following image illustrates a basic multi-domain scenario where the internal UC domain is different from the external domain.

Figure 4: Multiple Edge Domains



452769

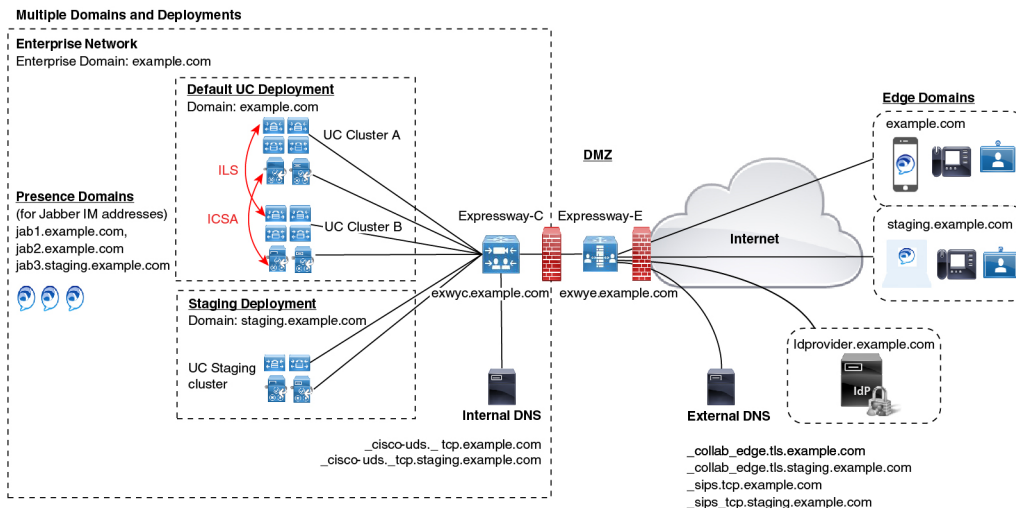


**Note** MRA endpoints must have connectivity to the external public DNS server so that they can reach Expressway-E.

### Multiple Domains with Separate Deployments

The following example illustrates a more complex multi-domain scenario where the internal UC environment is split into two Deployments: the Default UC Deployment, which encompasses the main UC applications, including both Expressways and a second Staging deployment. The two deployments are located in different domains. The Default Deployment has multiple UC clusters with ILS and ICSA being used to sync data between the internal clusters. This example also uses a cloud-based Identity Provider that is located in a separate external IdP domain.

Figure 5: Multiple Domains with Separate Deployments



452768

### Domain Glossary

The following table outlines the different contexts in which the domain term may be used within an MRA Deployment and how to set them on Expressway. Depending on your deployment, the same domain may be applied for all these contexts.

Table 6: Domain Glossary

Term	Description
Edge domain	This term refers to the remote domain in which remote MRA endpoints connect to the on-premises UC network. This is configured on Expressway-C under the <b>Configuration &gt; Domain</b> menu, and communicated to Expressway-E over the UC Traversal zone
Expressway Server Domain	For both Expressway-C and Expressway-E, the domain is a part of each server’s FQDN address and is provisioned in the <b>System &gt; DNS</b> window on each respective server. Each server supports a single domain only.
Internal UC Domain	This is the domain for internal UC applications such as Cisco Unified Communications Manager and the IM and Presence Service. These applications may be located in the same domain as Expressway or they may be in a different domain.  <b>Note</b> If the internal UC applications are in a different domain than Expressway, then you must use FQDNs or IP addresses as server addresses for the UC server addresses. FQDNs are preferred.

Term	Description
Presence Domains	<p>Presence domains are configured on the IM and Presence Service and may be used in the client's IM address (for example, user@domain).</p> <p><b>Note</b> For MRA clients, if the Presence Domain is not the same as the Edge domain, add the Presence Domain to the Domain list on Expressway-C.</p> <p><b>Note</b> Multiple Presence Domains over MRA is supported from Expressway X12.6.3 with IM and Presence Service, Release 10.0(1) or later. However, it's recommended that you do not exceed 75 domains within a single deployment.</p>
MRA Activation Domain	<p>If you are using activation code onboarding of MRA endpoints, the MRA Activation Domain is configured on Unified CM during the cloud onboarding process, representing the domain where MRA endpoints for that cluster must connect for the initial device activation. Each cluster can have a single MRA Activation Domain only.</p>
MRA Service Domain	<p>If you are using activation code onboarding of MRA endpoints, the MRA Service Domain is configured on Unified CM, representing the remote Edge domain where the endpoint connects for normal MRA use. If you have multiple Expressway clusters, the MRA Service Domain lets you specify which Expressway cluster is used for normal MRA operation.</p> <p>After an MRA device activates within the MRA Activation Domain, the device downloads its configuration file, which contains a redirect to the assigned MRA Service Domain. The device then looks up the <code>_collab_edge</code> SRV for that domain and attempts to register via the Expressway cluster that is assigned to the domain.</p> <p>MRA Service Domains can be applied to endpoints at the cluster, device pool, or individual device level.</p> <p><b>Note</b> The MRA Activation domain gets added automatically to the list of available MRA Service Domains for a Unified CM cluster.</p>

## Multidomain Configuration Summary

The following table provides a configuration summary of domain-specific tasks for multidomain MRA scenarios.



**Note** This summary does not replace the main configuration flow for setting up a basic MRA deployment—you can configure your system to support MRA over multiple domains by following the main configuration flow. However, for complex multidomain scenarios, this summary provides a helpful checklist of domain-specific tasks that you can use to verify that your domain setup is correct.

**Table 7: MRA Multidomain Configuration Summary**

Steps	Task
Step 1	<p>Configure the Host Name and Domain Name for Expressway servers.</p> <p>See <a href="#">Set Expressway Server Address</a>.</p>

Steps	Task
Step 2	<p>On Expressway-C, add the domains for which MRA registration, call control, provisioning, messaging, and presence services are to be routed to Unified CM. This may include:</p> <ul style="list-style-type: none"> <li>• Internal UC domains</li> <li>• Edge domains (if they are different from the internal domains)</li> <li>• Presence domains (if they are different from the other domains).</li> </ul> <p>See <a href="#">Add Domains</a>.</p>
Step 3	<p>(Optional). Assign Deployments to internal UC Applications. This optional configuration lets you partition internal UC services. For example, you could use this configuration to partition your main Production cluster off from a separate Staging cluster.</p> <p>See <a href="#">Assign Deployment Partitions for UC Services, on page 2</a>.</p>
Step 4	<p>Configure Internal DNS entries:</p> <ol style="list-style-type: none"> <li>1. Configure <code>_cisco-uds._tcp.&lt;domain&gt;</code> SRV records for each Unified CM domain.</li> <li>2. Create forward and reverse lookups for each Unified CM and IM and Presence node.</li> <li>3. Configure A and PTR records that point Expressway-C to Expressway-E.</li> </ol> <p><b>Note</b> As of X12.6, the <code>_cisco_uds.tcp.example.com</code> internal SRV record is no longer mandatory for MRA endpoints to be able to reach the correct UC cluster. However, note that this SRV record is still required if you are deploying on-premises Cisco Jabber and Webex clients.</p> <p>See <a href="#">Local DNS (Internal Domains)</a>.</p>
Step 5	<p>Configure Public DNS:</p> <ol style="list-style-type: none"> <li>1. On Expressway-E, configure <code>_collab-edge._tls.&lt;domain&gt;</code> and <code>_sips_tcp.&lt;domain&gt;</code> DNS SRV records for each Edge domain.</li> <li>2. Configure A records that point the Expressway-E hostname to the public IP address of Expressway-E.</li> </ol> <p><b>Note</b> MRA endpoints must have connectivity to the Public DNS server so that they can reach Expressway-E.</p> <p>See <a href="#">Public DNS (External Domains)</a>.</p> <p><b>Warning</b> Expressway-E Fully Qualified Domain Name (FQDN) must match with the SRV A record to establish connectivity between MRA endpoints and the Public DNS server so that they can reach Expressway-E.</p>
Step 6	<p>Configure Expressway-E certificates. Make sure that the Expressway-E certificate includes each Unified CM registration domain.</p> <p>For details, see <a href="#">Certificate Requirements</a>.</p>

Steps	Task
Step 7	If you are deploying SAML SSO, associate the appropriate domain to your Identity Provider: See <a href="#">Associate Domains with an IdP</a> .
Step 8	If you are using Device Activation Codes to provision MRA clients, provision a clusterwide MRA Activation Domain on Unified CM for MRA onboarding.  In addition, provision any MRA Service Domains with the edge domains that you want users to use after their device activates.  See <a href="#">MRA Device Onboarding Configuration Flow</a> .

### (Optional) Using SRVs to create Alias FQDNs for Expressway-E

An optional approach if you have multiple Edge domains is to use SRV records to create an alias domain for Expressway-E, which would simulate multiple Expressway-E FQDNs. For example, if you have an Expressway-E server in example.com and you have two edge domains (example.com and staging.com):

- For each Edge domain, configure the `_collab_edge` SRV to point to the Expressway-E FQDN address as if it were a part of that Edge domain (for example, an SRV that points to `expe.example.com` and another that points to `expe.staging.com`).
- For each FQDN, configure A records that point to the public IP address of Expressway-E.

## Session Persistency

Session Persistency enhances the user experience while roaming and allows Webex apps to do the following:

- Roam between different Access points in a network.
- Roam between different networks (For example, Wi-Fi, VPN over 3G/4G) without having to re-register.
- Maintain the SIP-based subscription status while roaming between different networks.
- Maintain registration in the case of network connectivity loss.
- Seamlessly transit both active and held calls from one network to another without call drops.

To facilitate connectivity during roaming between networks, Session Persistency allows dynamic IP address/port change via keep-alive registration. In addition, the feature includes a configurable TCP reconnect timer, which must be enabled at the product level, to allow Webex apps clients to remain connected in case of a temporary network connectivity loss or roaming. The timer is in effect only when the clients tear down the original TCP connection explicitly. To leverage the Session Persistency feature, you must comply with Cisco-defined SIP interfaces.

For example, if you are in an active Webex apps client call inside the office and walk outside the building losing Wi-Fi connectivity, the call would now continue as the client switches to Mobile and Remote Access through Expressway. Likewise, you will not see call drops if the client switches from Mobile and Remote Access through Expressway to the office Wi-Fi network.

