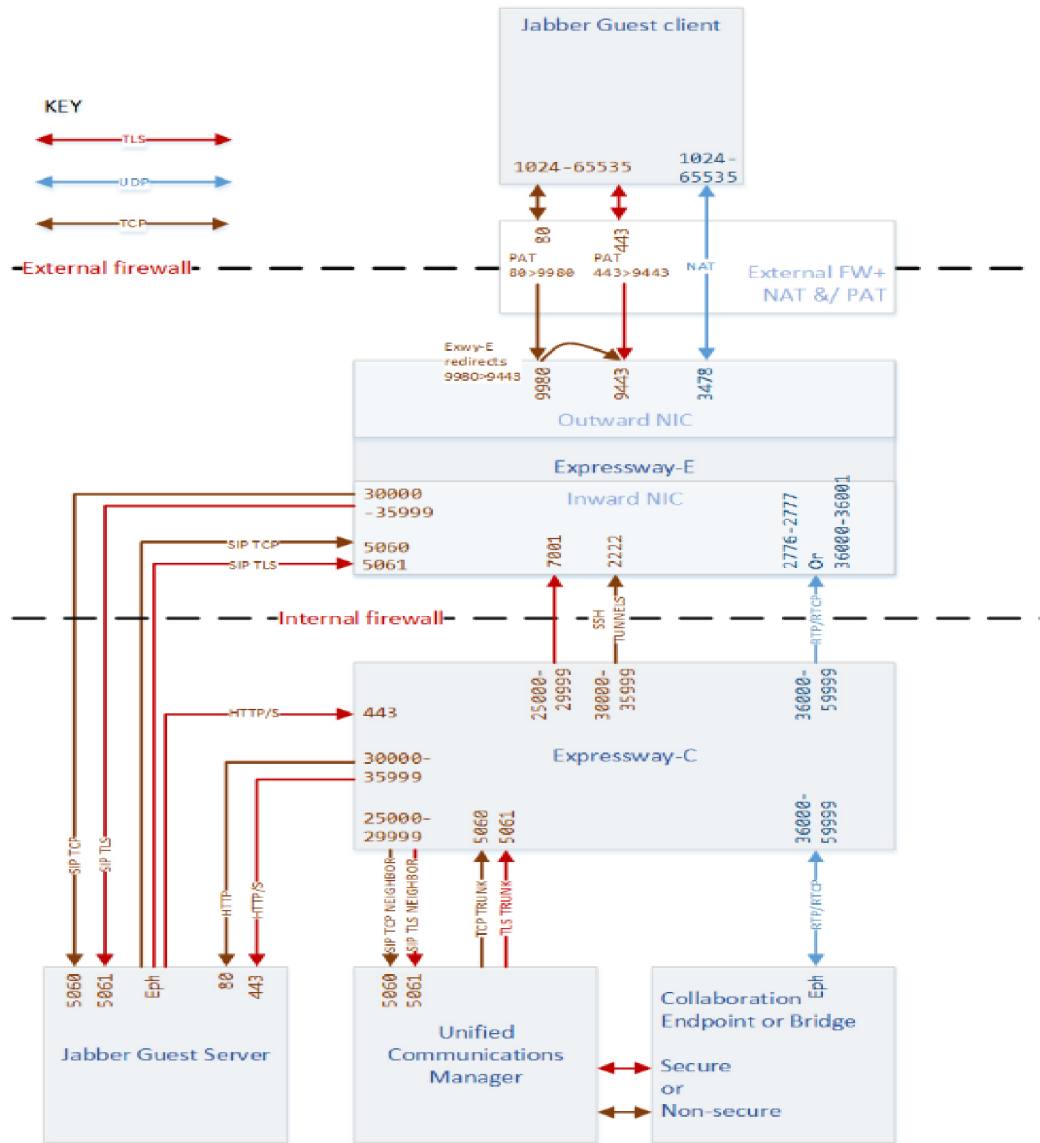




Jabber Guest Services

- [Jabber Guest - Dual NIC Deployment, on page 2](#)
- [Jabber Guest - Dual NIC Deployment Ports, on page 3](#)
- [Jabber Guest - Single NIC Deployment, on page 4](#)
- [Jabber Guest - Single NIC Deployment Ports, on page 5](#)

Jabber Guest - Dual NIC Deployment



446136

Jabber Guest - Dual NIC Deployment Ports

Table 1: Port Reference for Jabber Guest Dual NIC Deployment

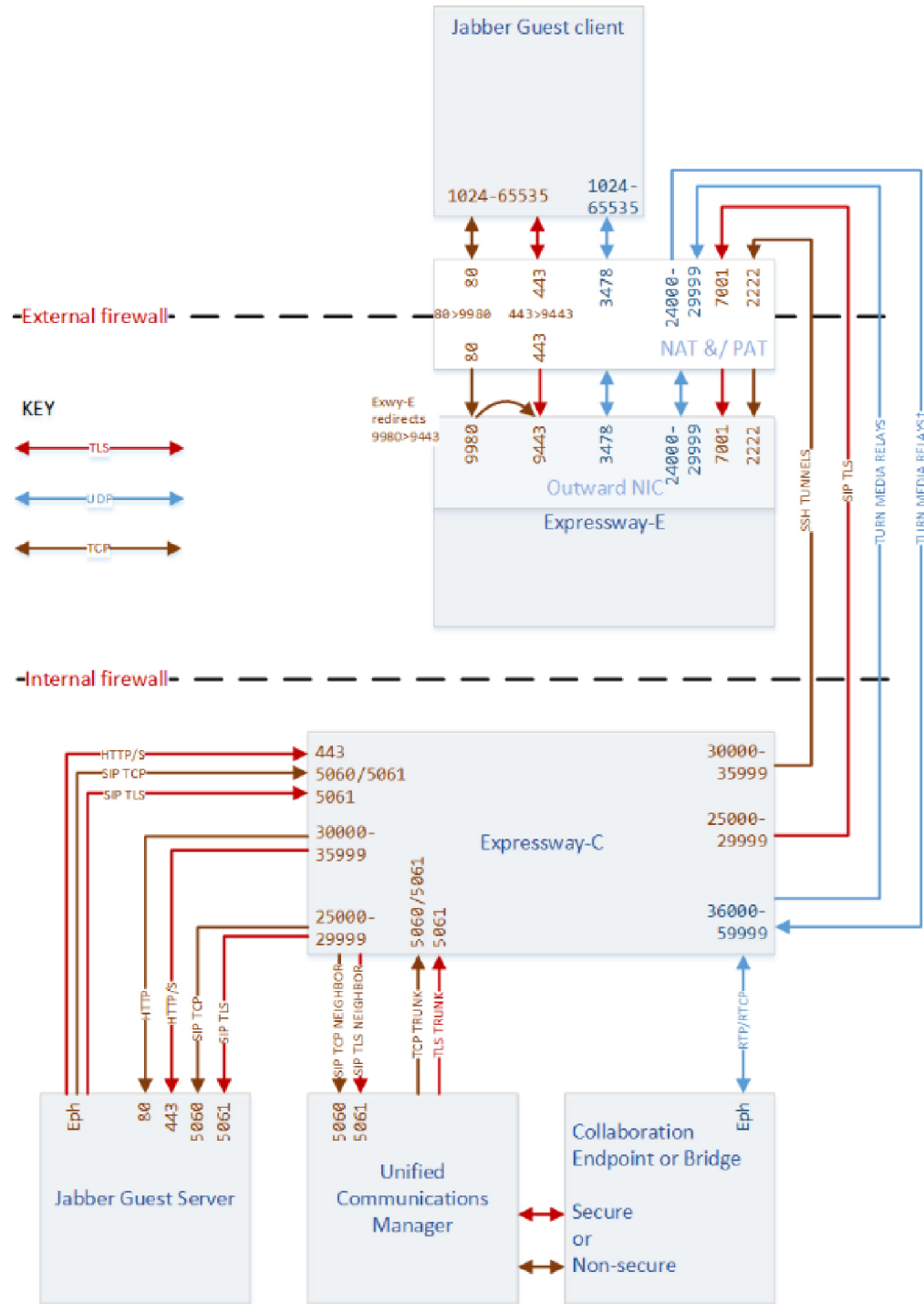
Purpose	Src. IP	Src. ports	Protocol	Dest. IP	Dst. Ports
Jabber Guest Client Signaling (HTTP always redirected to HTTPS)	Any (web browser)	1024-65535	TCP	Expressway-E Public IP	80
Jabber Guest Client Secure Signaling (HTTPS)	Any (web browser)	1024-65535	TLS	Expressway-E Public IP	443
To avoid port conflicts, traffic to Expressway-E public:80 must NAT&PAT to private:9980. HTTP is always redirected to HTTPS.			TLS	Expressway-E Private IP (Outward NIC)	9980 ^{#1}
To avoid port conflicts, traffic to Expressway-E public:443 must NAT&PAT to private:9443			TLS	Expressway-E Private IP (Outward NIC)	9443 ^{#2}
Jabber Guest Client Media (TURN)	Any (web browser)	1024-65535	UDP	Expressway-E Public IP	3478 (S/M systems) 3478-3483 (L systems) ^{*3}
SIP TCP signaling	Expressway-E private IP	30000-35999	TCP	Jabber Guest Server	5060
SIP TLS signaling	Expressway-E private IP	30000-35999	TLS	Jabber Guest Server	5061
SIP TCP signaling	Jabber Guest Server	Eph	TCP	Expressway-E private IP	5060
SIP TLS signaling	Jabber Guest Server	Eph	TLS	Expressway-E private IP	5061
Multiplexed media traversal	Expressway-C	36000-59999	UDP	Expressway-E Inward NIC	2776-2777 or 36000-36001

¹ Port translation required

² Port translation required

³ On Large systems you can configure a range of TURN request listening ports. The default range is 3478 – 3483. On Large systems, you can configure a single port for TURN requests, if port multiplexing is enabled. For more information on TURN port multiplexing, see the (missing or bad snippet)

Jabber Guest - Single NIC Deployment



446137

Jabber Guest - Single NIC Deployment Ports

Table 2: Port Reference for Jabber Guest Single NIC Deployment

Purpose	Src. IP	Src. ports	Protocol	Dest. IP	Dst. Ports
Jabber Guest Client Media (TURN)	Any	1024-65535	UDP	Expressway-E Public IP	3478 (S/M systems) 3478-3483 (L systems) ^{#4}
Jabber Guest Client Signaling (HTTP always redirected to HTTPS)	Any	1024-65535	TCP	Expressway-E Public IP	80
Jabber Guest Client Secure Signaling (HTTPS)	Any	1024-65535	TLS	Expressway-E Public IP	443
To avoid port conflicts, traffic to Expressway-E public:80 must NAT&PAT to private:9980. HTTP is always redirected to HTTPS.			TLS	Expressway-E Private IP	9980 ^{#5}
To avoid port conflicts, traffic to Expressway-Epublic:443 must NAT&PAT to private:9443			TLS	Expressway-E Private IP	9443 ^{#6}
SSH Tunnels from Expressway-C to Expressway-E	Expressway-C	35000-35999	TCP	Expressway-E Public IP	2222
SIP Signaling	Expressway-C	25000-25999	TLS	Expressway-E Public IP	7001
TURN media relays	Expressway-C	36000-59999	UDP	Expressway-E Public IP	24000-29999
TURN media relays ^{**7}	Expressway-E Public IP	24000-29999	UDP	Expressway-C	36000-59999
SIP TCP signaling	Expressway-C	30000-35999	TCP	Jabber Guest Server	5060
SIP TLS signaling	Expressway-C	30000-35999	TLS	Jabber Guest Server	5061
SIP TCP signaling	Jabber Guest Server	Eph	TCP	Expressway-C	5060

Purpose	Src. IP	Src. ports	Protocol	Dest. IP	Dst. Ports
SIP TLS signaling	Jabber Guest Server	Eph	TLS	Expressway-C	5061

⁴ On Large systems you can configure a range of TURN request listening ports. The default range is 3478 – 3483.

⁵ Port translation in external firewall

⁶ Port translation in external firewall

⁷ Inbound media ports only required for unidirectional media initiated from Jabber Guest client, eg. BFCP. Otherwise it is enough to allow the outbound media range from Expressway-C to Expressway-E (previous row).



Note If you are using single NIC deployments, the communication between core and edge must use NAT reflection, while the destination IP from core to edge would be the Public.
