



Cisco Unified Contact Center Express in Hosted Collaboration Deployment

- [Overview, on page 1](#)
- [Hosted Unified CCX Deployment, on page 1](#)
- [Bandwidth and Latency Considerations, on page 4](#)
- [Security Considerations, on page 4](#)

Overview

The Cisco Hosted Collaboration Solution (HCS) enables service providers to offer managed and hosted Unified Communications (UC) and collaboration services to multiple autonomous business customers by hosting UC applications. Using this solution, service providers can manage and deploy new highly reliable and scalable collaboration services to small- or medium-sized businesses and enterprises. This capability allows a service provider to offer differentiated services.

The following sections detail the various deployment models, bandwidth requirements and limitations if any for HCS.

The HCS deployment of Unified CCX is combination of HCS-Unified CM deployment and HCS-Unified CCX deployment. Thus, the bandwidth and security considerations are a combination of both these types of deployments. These are as per the values tabulated in the Bandwidth, Latency, and QoS Considerations section of this guide, see [Bandwidth, Latency, and QoS Considerations](#). Thus for example, the total bandwidth that need to be provisioned is sum of bandwidth that need to be provisioned for Unified CM/IP Telephony and Unified CCX.

Hosted Unified CCX Deployment

In the hosted deployment model, Unified CCX is deployed in the HCS data center with

- Dependent Cisco HCS elements
- Cisco Unified Communications Manager and other related components

The modes of deploying Unified CCX in HCS are:

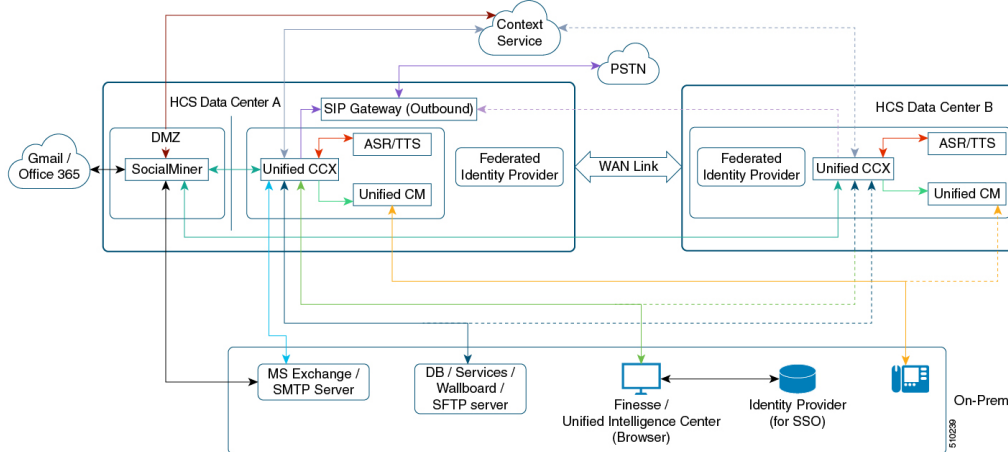
- Deploy a Single node of Unified CCX

- Deploy the two nodes of Unified CCX in the same data center in High Availability (HA) over LAN model (Software Redundancy only available)
- Deploy the two nodes of Unified CCX in two different geographical locations in HA over WAN model (Software Redundancy and Network Redundancy available)

The HA over WAN deployment model is shown in the following illustration.

Figure 1: Hosted Unified CCX Deployment in Cisco HCS

The following diagram depicts the hosted deployment for Unified CCX solution components in Cisco HCS.



- 1
- 2

Table 1: Bandwidth and Latency Between the On Premise and Data Centers A or B

Maximum Latency (RTT)	80 milli seconds
Minimum Assured Bandwidth	See, Cisco Unified Contact Center Express Bandwidth Calculator

Table 2: Bandwidth and Latency Between Data Centers A and B

Maximum Latency (RTT)	80 milli seconds
Minimum Assured Bandwidth	10 Mbps (This value is valid for a contact center's day to day operations only. This does not include the bandwidth required for other operations like, upgrades, backups or file transfers.)



Note All bandwidth and latency calculations mentioned here for Hosted Collaboration deployment over ride any other values mentioned elsewhere in this document.

¹ The colored lines are used to denote the different connections between the Unified CCX solution components in the hosted environment.
² The dotted lines indicate the connections to the standby Unified CCX and Unified CM sever.

The following table outlines the various Unified CCX solution components and their supported deployment location.

Table 3: Unified CCX Solution Components in Hosted Deployment for Cisco HCS

Unified CCX Solution Element	Functionality	Deployment Location
Agent phones	IP Telephony Finesse IP Phone Agent (Finesse IPPA)	Customer premises
SIP Gateway for Outbound Campaigns	Outbound IVR - Progressive and Predictive Campaigns Agent IVR - Progressive and Predictive Campaigns	Hosted
Microsoft Exchange Server	SMTP integration with Unified CCX including for sending email using a Unified CCX script, for sending email updates regarding an update, and for Cisco Unified Intelligence Center scheduled reports.	Customer premises
MS Exchange Server/Office 365/ Gmail	For Finesse email.	Customer Premise (MS Exchange), Office 365, Gmail
ASR/TTS Servers	Automatic Speech Recognition and Text-to-Speech	Hosted
Wallboard Server	Third-Party Wallboard Application	Customer premises
Cisco SocialMiner	Finesse Chat and Email	Hosted in DMZ
Enterprise Identity Provider (IdP)	For Single Sign-On	Customer premises

**Note**

- In a Single Sign-On enabled environment, to use a hosted Identity Provider (IdP) that is federated to the Enterprise IdP see, <https://www.cisco.com/c/en/us/support/docs/customer-collaboration/unified-contact-center-express/200612-Configure-the-Identity-Provider-for-UCCX.html>.
- Unified CM cluster can not be shared across multiple Unified CCX.
- Every customer must have one dedicated instance of Unified CCX as multi-tenancy is not supported.
- Workforce Optimization solutions for deployment in an HCS environment are provided by Cisco Solutions Plus partners.
- In an HA over WAN deployment a few of the configurations done in Unified CCX Administration on the secondary node may take longer time:
 - Creation of CTI Port
 - Creation of Trigger
 - Finesse IPPA login
- The number of partitions and calling search spaces on Unified CM doesn't impact Unified CCX. Ensure that the agent phones and the CTI ports belong to the same calling search space to enable consult transfer from CTI port to agent phone.
- The SFTP location used as backup device must be located in the service provider network locally.

Bandwidth and Latency Considerations

For bandwidth and latency requirements see, [Estimating Bandwidth Consumption](#) section in the guide. For email and chat depending on the location of the email server (Cloud based Gmail/Office 365 or MS Exchange server at customer premises), the bandwidth must be provisioned as per the [Unified CCX Bandwidth Calculator](#). The clients described in the bandwidth calculator are located in the customer premises in an HCS deployment. The contact center in the data center is in the service provider network in an HCS deployment.

In addition to HCS-Unified CM bandwidth provisioning, that is between phone-phone (internal or external call) additional bandwidth must be provisioned for IVR streaming from Unified CCX to customer phone depending on the type of breakout.

In case of Ingress Local Breakout the bandwidth required for IVR streaming from service provider to customer premises must be provisioned in addition to Unified CM provisioning (similar to Music on Hold (MoH)).

In case of Ingress Central Breakout there is no extra provisioning of bandwidth required for IVR streaming as IVR is directly streamed from service provider to the user.

Security Considerations

The following section details the firewall rules and other external system requirements.

The connectivity from the customer premises to service provider is a VPN where all ports are enabled without any restrictions, the same conditions listed in the Solution Port Utilization for Unified CCX guide are applicable

here. See the Port Utilization Guide for Cisco Unified Contact Center Express Solution at <https://www.cisco.com/c/en/us/support/customer-collaboration/unified-contact-center-express/products-installation-and-configuration-guides-list.html> for information on the ports that must be used for this deployment.

For external interactions from the contact center, the edge firewall must be configured to allow the network traffic.

