



Accessories

- [Supported accessories, on page 1](#)
- [Headsets, on page 2](#)
- [Desktop chargers, on page 3](#)
- [Multichargers, on page 7](#)
- [Charger care, on page 11](#)
- [Scanner handle for the Cisco Wireless Phone 840S, on page 11](#)
- [Clips, on page 13](#)
- [Cisco accessory part numbers, on page 13](#)

Supported accessories

You can use several accessories with your phone. For part numbers of the approved accessories, see [Cisco accessory part numbers, on page 13](#).



Caution Use only the approved chargers and power supplies for your phone.

- **Headsets**—Standard headsets that use a 3.5-mm jack or Bluetooth® headsets.



Note The phones don't support Apple headsets. The phones can connect to Bluetooth headsets and speakers only. They don't support any other type of Bluetooth device.

- **Desktop chargers**—Use the approved power supply.
 - Cisco Wireless Phone 840 Desktop Charger
 - Cisco Wireless Phone 840 Desktop Dual Charger
 - Cisco Wireless Phone 860 Desktop Dual Charger Module
 - Cisco Wireless Phone 860 Desktop Battery Charger Module
- **Multichargers**—Use the approved power supply.

- Cisco Wireless Phone 840 Multicharger
- Cisco Wireless Phone 840 Battery Multicharger
- Cisco Wireless Phone 860 Multicharger Base—Holds up to four 860 Desktop Charger Modules (in any configuration: Dual or Battery).
- **USB charger**—Use the approved power supply.
- **Spare batteries**
- **Scanner handle**—For the Cisco Wireless Phone 840S only.
- **Clips**
- **Cases**—For the Cisco Wireless Phone 860 and 860S only.

Headsets

You can use wired and Bluetooth® headsets with your phone.

Although we perform some internal testing of third-party wired and Bluetooth wireless headsets for use with the Cisco Wireless Phone 840 and 860, we don't certify or support products from headset or handset vendors. Because of the inherent environmental and hardware inconsistencies in the locations where phones are deployed, there's not a single "best" solution that is optimal for all environments. We recommend that customers test the headsets that work best in their environment before deploying many units in their network.



Note The Cisco Wireless Phone 840 and 860 hasn't been tested for wired and Bluetooth headsets in hazardous locations.

We recommend the use of good quality external devices, like headsets that are screened against unwanted radio frequency (RF) and audio frequency (AF) signals. Depending on the quality of these devices and their proximity to other devices such as cell phones and two-way radios, some audio noise may still occur.

The primary reason that a particular headset would be inappropriate for the phone is the potential for an audible hum. This hum can be heard by either the remote party or by both the remote party and you, the phone user. Some potential humming or buzzing sounds can be caused by a range of outside sources, for example, electric lights, electric motors, or large PC monitors. In some instances, the mechanics or electronics of various headsets can cause remote parties to hear an echo of their own voice when they speak to phone users.

Important headset safety information



High Sound Pressure—Avoid listening to high volume levels for long periods to prevent possible hearing damage.

When you plug in your headset, lower the volume of the headset speaker before you put the headset on. If you remember to lower the volume before you take the headset off, the volume will start lower when you plug in your headset again.

Be aware of your surroundings. When you use your headset, it may block out important external sounds, particularly in emergencies or in noisy environments. Don't use the headset while driving. Don't leave your headset or headset cables in an area where people or pets can trip over them. Always supervise children who are near your headset or headset cables.

Standard headsets

You can use a wired headset with your phone. The headset requires a 3.5 mm, 3-band, 4-connector plug.

We recommend the Cisco Headset 520 Series. These headsets offer outstanding audio performance. For more information about the headset, see [Cisco Headset 500 Series](#).

If you plug a headset into the phone during an active call, the audio path automatically changes to the headset.

Bluetooth headsets

You can use a Bluetooth[®] headset with your phone. When you use a Bluetooth wireless headset, the headset usually increases battery power consumption on your phone and may result in reducing battery life.

For a Bluetooth wireless headset to work, it does not need to be within direct line-of-sight of the phone, but some barriers, such as walls or doors, and interference from other electronic devices, can affect the connection.

We recommend the Cisco Headset 560 Series and Cisco Headset 730. These headsets offer outstanding audio performance. For more information about the headsets, see [Cisco Headset 500 Series](#) and [Cisco Headset 700 Series](#).

Desktop chargers

The following desktop chargers are compatible with your phone.

However, the desktop chargers for the Cisco Wireless Phone 840 and Cisco Wireless Phone 860 are not interchangeable.



Caution Use only the approved chargers and power supplies for your phone.

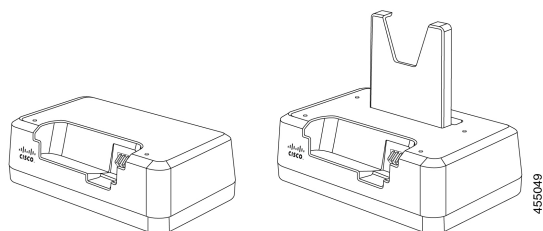
Cisco Wireless Phone 840 and 840S

The Cisco Wireless Phone 840 and 840S also have two types of desktop chargers.

Table 1: Desktop chargers

Charger name	Charger capacity
Cisco Wireless Phone 840 Desktop Charger	One 840 phone
Cisco Wireless Phone 840 Desktop Dual Charger	One 840 phone and one 840 battery

Figure 1: Cisco Wireless Phone 840 Desktop Charger and Cisco Wireless Phone 840 Desktop Dual Charger



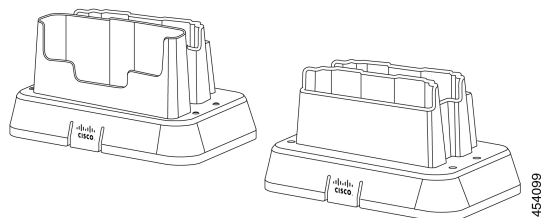
Cisco Wireless Phone 860 and 860S

The Cisco Wireless Phone 860 and 860S have two types of desktop chargers.

Table 2: Desktop chargers

Charger name	Charger capacity
Cisco Wireless Phone 860 Desktop Dual Charger Module	One 860 phone and one 860 battery
Cisco Wireless Phone 860 Desktop Battery Charger Module	Two 860 batteries

Figure 2: Cisco Wireless Phone 860 Desktop Dual Charger Module and Cisco Wireless Phone 860 Desktop Battery Charger Module



Set up the desktop chargers

Follow these steps for all Cisco Wireless Phone 840 and 860 desktop chargers.

The following illustration is of the Cisco Wireless Phone 860 Desktop Dual Charger Module.



Caution Use only the approved chargers and power supplies for your phone.

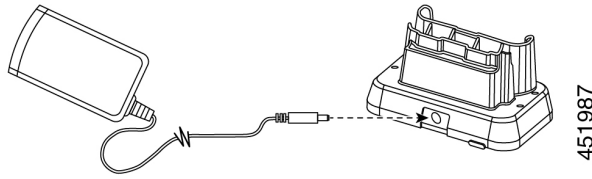
Before you begin

Ensure that the power supply has the correct plug for your area.

Procedure

Step 1 Place the module on a flat surface within reach of a power outlet.

Step 2 Plug the power supply into the module.



Step 3 Plug the other end of the power supply into a power outlet.

Charge your phone and battery with desktop dual charger

You can charge your phone and one spare battery with the desktop dual charger.

If both the phone and battery are in the charger, the phone takes priority. So it may take longer to charge the battery.

There are two LEDs: one for the phone and one for the battery. The LEDs turn on when you properly seat the phone and battery.

- A solid red LED indicates that the item is charging.
- A solid green LED indicates that the item is fully charged.
- An LED that is off indicates an empty slot or an error condition.



Note These steps are the same for both the Cisco Wireless Phone 840 Desktop Dual Charger and Cisco Wireless Phone 860 Desktop Dual Charger Module. The illustration is of the Cisco Wireless Phone 860 Desktop Dual Charger Module.

Before you begin

Ensure that you properly set up the desktop charger.

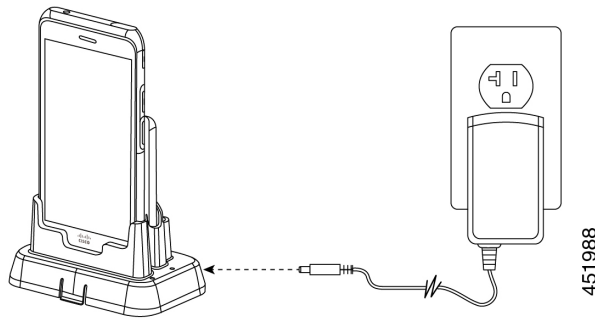


Caution Use only the approved chargers and power supplies for your phone.

Procedure

Step 1 With the battery charging contacts down, insert a spare battery into the dual charger rear slot.

Step 2 Insert your phone face forward into the dual charger front slot.



Charge your spare 860 batteries with desktop battery charger

You can charge up to two spare 860 batteries at a time in the Cisco Wireless Phone 860 Desktop Battery Charger Module.



Caution You can't use this charger for 840 batteries.

There are two LEDs: one for each battery. The LEDs turn on when you properly seat the batteries.

- A solid red LED indicates that the item is charging.
- A solid green LED indicates that the item is fully charged.
- An LED that is off indicates an empty slot or an error condition.

Before you begin

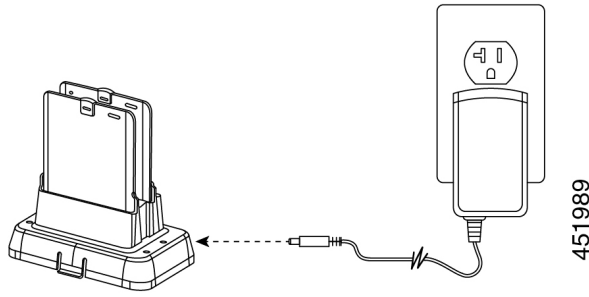
Ensure that you properly set up the Cisco Wireless Phone 860 Desktop Battery Charger Module.



Caution Use only the approved chargers and power supplies for your phone.

Procedure

With the battery charging contacts facing down, insert a spare battery into each charger slot.



Multichargers

The following multichargers are compatible with your phone.

However, the multichargers for the Cisco Wireless Phone 840 and Cisco Wireless Phone 860 are not interchangeable.



Caution Use only the approved chargers and power supplies for your phone.

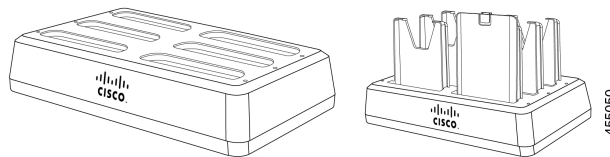
Cisco Wireless Phone 840 and 840S

The Cisco Wireless Phone 840 and 840S have two standalone multichargers:

Table 3: Multichargers

Charger name	Charger capacity
Cisco Wireless Phone 840 Multicharger	Six 840 phones
Cisco Wireless Phone 840 Battery Multicharger	Six 840 batteries

Figure 3: Cisco Wireless Phone 840 Multicharger and Cisco Wireless Phone 840 Battery Multicharger



Cisco Wireless Phone 860 and 860S

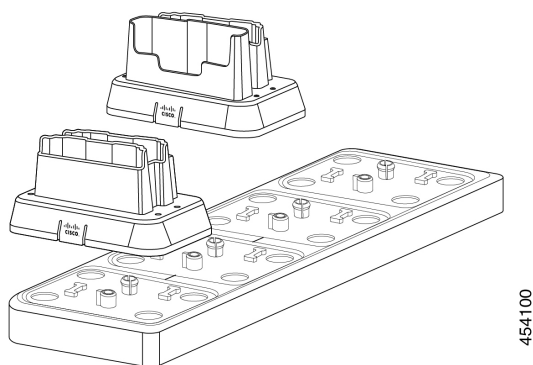
The Cisco Wireless Phone 860 and 860S multicharger includes a Cisco Wireless Phone 860 Multicharger Base that holds up to four of the following 860 desktop charger modules in any configuration:

- Cisco Wireless Phone 860 Desktop Dual Charger Module
- Cisco Wireless Phone 860 Desktop Battery Charger Module

Table 4: Sample multicharger configuration

Cisco Wireless Phone 860 Multicharger Base configuration	Charger capacity
With four Cisco Wireless Phone 860 Desktop Dual Charger Modules	Four phones and four batteries
With two Cisco Wireless Phone 860 Desktop Dual Charger Modules and two Cisco Wireless Phone 860 Desktop Battery Charger Modules	Two phones and six batteries
With four Cisco Wireless Phone 860 Desktop Battery Charger Modules	Eight batteries

Figure 4: Cisco Wireless Phone 860 Multicharger Base with 860 Desktop Charger Modules



Assemble the Cisco Wireless Phone 860 Multicharger Base

You can insert up to four desktop charger modules into the multi charger base. You can use any combination of the Cisco Wireless Phone 860 Desktop Dual Charger Modules and Cisco Wireless Phone 860 Desktop Battery Charger Modules as desired.



Caution Use only the power supply that comes with the multicharger base.

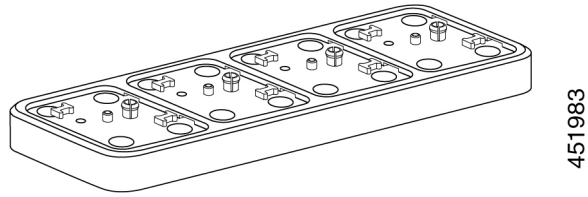
Red and green LEDs blink at powerup.

Before you begin

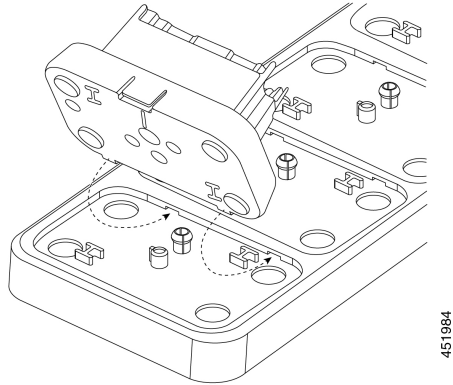
Ensure that the power supply has the correct plug for your area.

Procedure

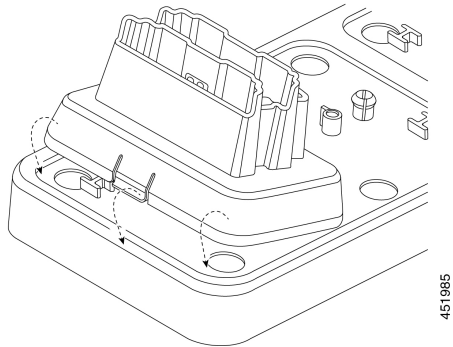
Step 1 Place the multicharger base on a flat surface within reach of power outlet.



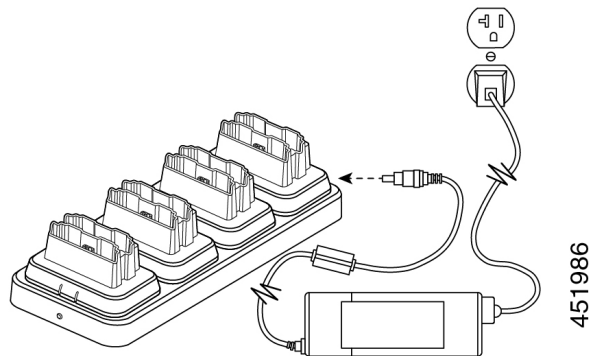
Step 2 Insert the tabs on the back of the desktop charger module into the slots on the base.



Step 3 Rock the desktop charger module forward and use the front tab to snap it into place.



Step 4 Plug the multicharger base power supply into the base and a power outlet.



Charge phones and batteries with multicharger

With the 840 multichargers, you can charge up to six phones or batteries at a time. Each slot has an LED.

With the 860 multicharger, you can charge up to eight items at a time. Each desktop module has two LEDs, one for each slot.

- Solid red LED indicates that the item is charging.
- Solid green LED indicates that the item is fully charged.
- LED that is off indicates an empty slot or an error condition.

Before you begin

For the 840 phones, ensure that you plug in the multicharger.

For the 860 phones, ensure that you properly set up the Cisco Wireless Phone 860 Multicharger Base and install up to four desktop charger modules.



Caution Use only the approved chargers and power supplies for your phone.

Procedure

Insert the phones and batteries into the slots.

Related Topics

[Assemble the Cisco Wireless Phone 860 Multicharger Base](#), on page 8

[Charge your phone and battery with desktop dual charger](#), on page 5

Charger care

Although you don't handle the chargers as much as the phones, they can get dirty, so it's important to periodically clean them.



Caution The plastic in the charger is different from the plastic in the phone, so it doesn't withstand rigorous disinfection.

Follow the same steps to clean the charger as you do for the phones, but pay special attention to the following:

- Remove the phone and battery from the charger. Unplug the charger.
- Never immerse the charger in liquid.
- Don't spray any solution directly onto the charger. Dampen a cloth and wipe instead. Do not allow liquid to pool on or in the plastic.
- Don't use a bleach solution on battery contacts.
- Don't exert undue pressure on electrical contacts inside the charger compartment. Do not bend the contacts.
- For light to heavy soil—Wipe the charger surface with a water-dampened cloth or paper towel to remove most films or residue. If the soiling is too stubborn for plain water, use a mild detergent solution, Lysol[®], isopropyl alcohol, or diluted bleach (10 percent or less).
- Wipe battery contacts with a cotton swab dampened with alcohol to remove any lint.
- Never use the following products to clean your charger:
 - Don't use furniture polishes, waxes, or plasticizer-based cleaners such as ArmorAll[®].
 - Don't use lanolin, aloe, glycerin, or other skin care products.
 - Don't use hand sanitizers to clean chargers or handle the charger when your hands are wet with sanitizer solution.
 - Don't apply any solvent such as acetone, mineral spirits, and so on.
- Allow the charger to air dry. You may wipe the charger with a soft dry cloth to hasten dry time. Be sure that electrical contacts are completely dry and lint-free. When fully dry, you may plug in the charger and reinsert the battery and phone.

Scanner handle for the Cisco Wireless Phone 840S

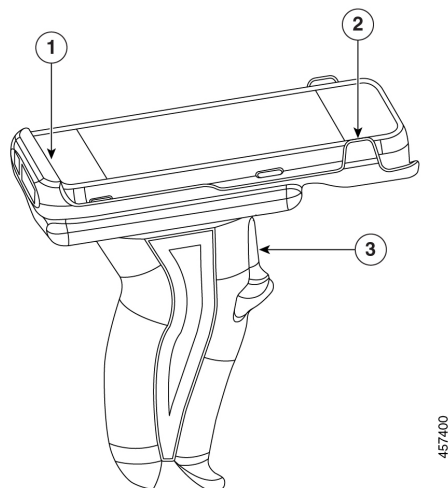
There is a scanner handle available for the Cisco Wireless Phone 840S. Use the scanner handle to easily scan multiple barcodes.

Figure 5: Cisco Wireless Phone 840S with scanner handle



Install the Cisco Wireless Phone 840S in the scanner handle

Figure 6: Cisco Wireless Phone 840S in the scanner handle



Procedure

-
- Step 1** Insert the bottom end of the Cisco Wireless Phone 840S in the scanner handle.
- Step 2** Press down on the top end of the phone to snap it in place on the scanner handle.
- Step 3** Scan a barcode with the trigger on the scanner handle to test that it works.
-

Clips

There are clips available for the Cisco Wireless Phone 840 and 860.

The following illustration is of the rotating belt clip holsters for the Cisco Wireless Phone 840 and 840S. The belt clips for the Cisco Wireless Phone 860 and 860S don't have a holster and aren't interchangeable with the 840 clips.

Figure 7: Cisco Wireless Phone 840 and 840S and clips



Cisco accessory part numbers

The following tables provide the part numbers for the approved Cisco accessories for the Cisco Wireless Phone 840 and 860. For more information, see the [Cisco Wireless Phone Data Sheet](#).



Caution Use only the approved chargers and power supplies for your phone.

Table 5: Desktop chargers and power supplies

Accessory	Part number	Power supply model number
Cisco Wireless Phone 840 Desktop Charger	CP-840-PH-DCHR=	—
Cisco Wireless Phone 840 Desktop Dual Charger	CP-840-DUAL-DCHR=	—
Cisco Wireless Phone 840 Desktop Charger and Cisco Wireless Phone 840 Desktop Dual Charger power supply for Australia	CP-840-DCHR-PS-AU=	SK01T8-0570260S
Cisco Wireless Phone 840 Desktop Charger and Cisco Wireless Phone 840 Desktop Dual Charger power supply for the European Union	CP-840-DCHR-PS-EU=	SK01T8-0570260V

Accessory	Part number	Power supply model number
Cisco Wireless Phone 840 Desktop Charger and Cisco Wireless Phone 840 Desktop Dual Charger power supply for North America	CP-840-DCHR-PS-NA=	SK01T8-0570260U
Cisco Wireless Phone 840 Desktop Charger and Cisco Wireless Phone 840 Desktop Dual Charger power supply for the United Kingdom	CP-840-DCHR-PS-UK=	SK01T8-0570260B
Cisco Wireless Phone 860 Desktop Dual Charger Module	CP-860-DCHR=	—
Cisco Wireless Phone 860 Desktop Battery Charger Module	CP-860-BAT-DCHR=	—
Cisco Wireless Phone 860 Desktop Dual Charger Module and Cisco Wireless Phone 860 Desktop Battery Charger Module power supply	CP-860-DCHR-PSU=	HK-AY-120A200-CP

Table 6: Multichargers and power supplies

Accessory	Part number	Power supply model number
Cisco Wireless Phone 840 Multicharger with power supply	CP-840-PH-MCHR=	KT090A1200667B3
Cisco Wireless Phone 840 Battery Multicharger with power supply	CP-840-BAT-MCHR=	KT090A1200667B3
Cisco Wireless Phone 860 Multicharger Base with power supply	CP-860-MCHR=	FSP090-ABAN3

Table 7: USB cable and power adapter

Accessory	Part number	Power adapter model number
Cisco Wireless Phone 840 and 860 USB cable and power adapter wall plug	CP-800-USBCH=	IN-CA-310Q

Table 8: Spare batteries

Accessory	Part number
Cisco Wireless Phone 840 and 840S spare battery	CP-840-BAT=
Cisco Wireless Phone 860 and 860S spare battery	CP-860-BAT=

Table 9: Scanner handle

Accessory	Part number
Cisco Wireless Phone 840S scanner handle	CP-840S-HANDLE=

Table 10: Clips

Accessory	Part number
Cisco Wireless Phone 840 rotating belt clip holster	CP-840-CLIP=
Cisco Wireless Phone 840S rotating belt clip holster	CP-840S-CLIP=
Cisco Wireless Phone 860 belt clip	CP-860-CLIP=
Cisco Wireless Phone 860S belt clip	CP-860S-CLIP=

Table 11: Cases

Accessory	Part number
Cisco Wireless Phone 860 case	CP-860-CASE=
Cisco Wireless Phone 860S case	CP-860S-CASE=

